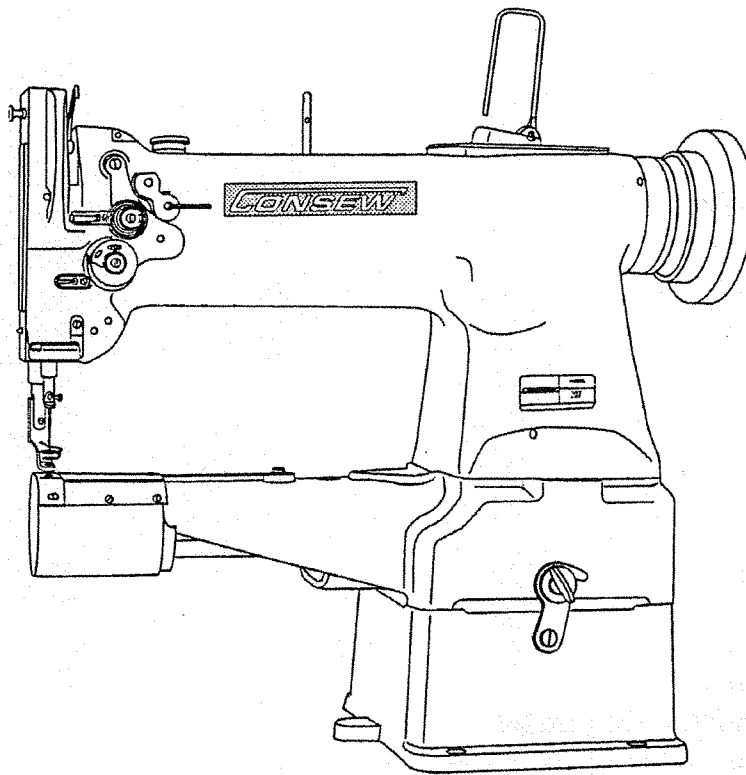


CONSEW[®]
CONSOLIDATED SEWING MACHINE CORP.

MODEL 207



PARTS BOOK

CONTENTS

1. Cover
2. Thread tension
3. Arm shaft, Thread take-up lever
4. Presser bar, Needle bar
5. Hook driving shaft, Rotating hook
6. Belt guard
7. Accessories

* optional parts.

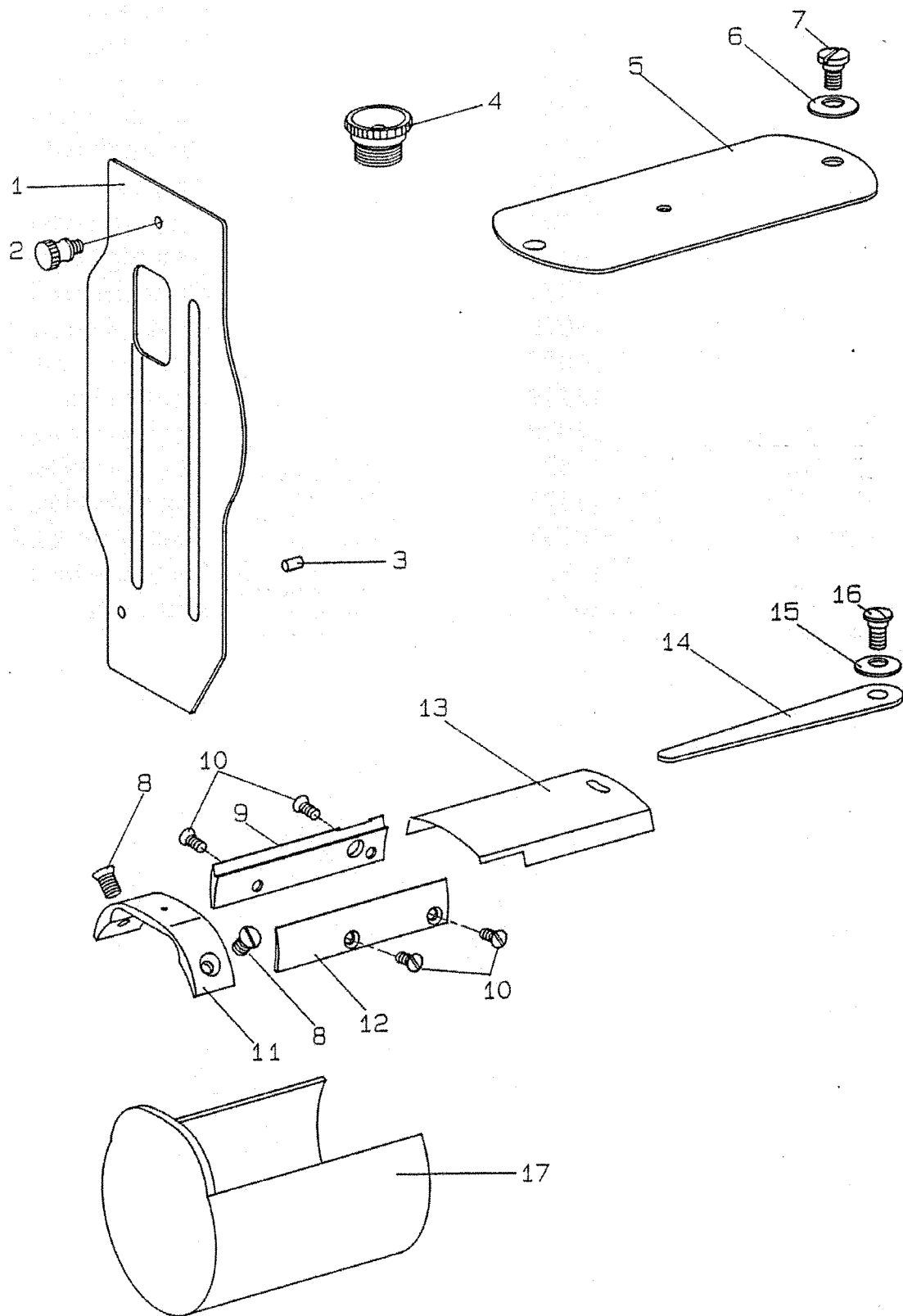
O equipped with a Belt guard.

> not equipped with a Belt guard.

1. COVER

Fig. No.	Part No.	Description
1	13328	Face Plate
2	10699	Screw for 13328
3	10700	Face plate set pin
4	10701	Oil felt thumb screw
5	13329	Arm cap
6	10703	Arm cap screw washer
7	10704	Arm cap screw
8	13023	Set screw for 13319
9	13025	Guide plate (front)
10	13027	Screw for 13025, 13026
11	13319	Needle plate
12	13026	Guide plate (rear)
13	13321	Bed slide plate
14	13322	Bed slide plate stop
15	10703	Washer for 13322
16	13323	Set screw for 13322
17	13324	End cover

1. COVER



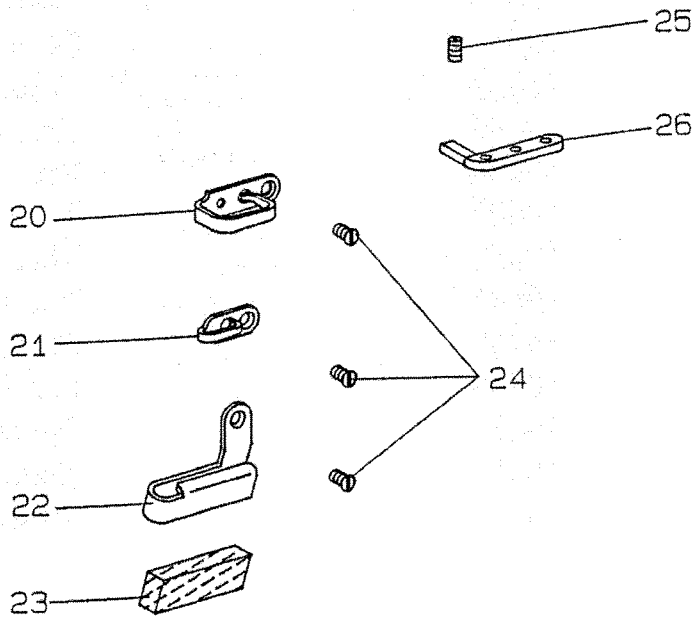
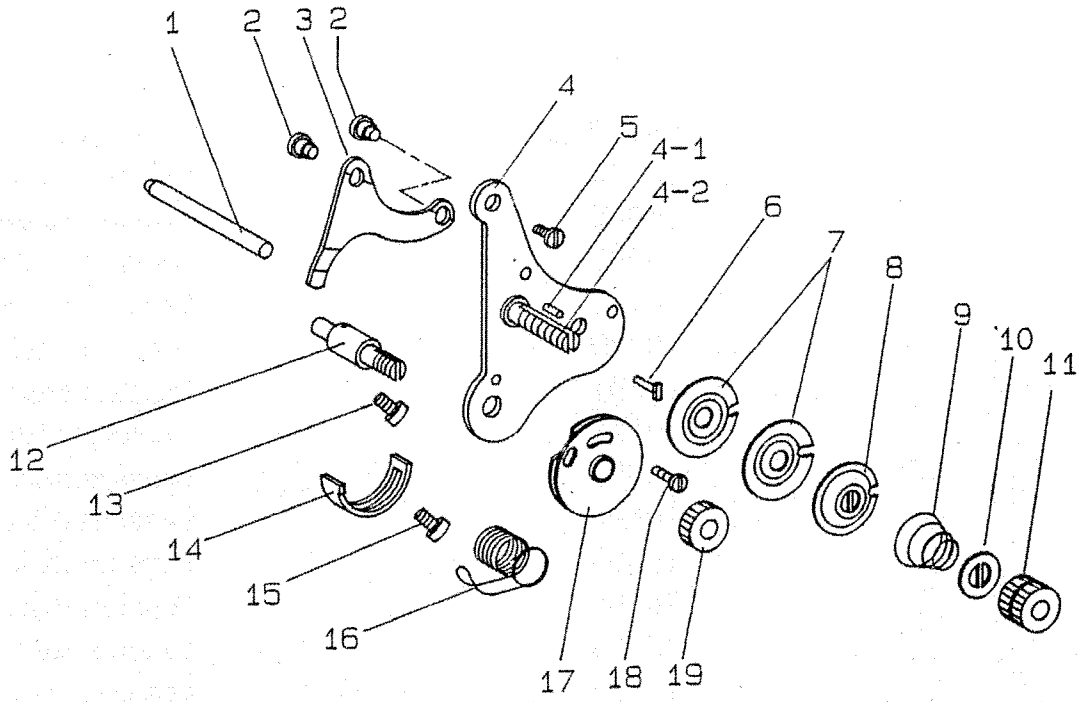
2.

THREAD TENSION

Fig. No.	Part No.	Description
1	10720	Release lever rod
2	10678	Tension release lever
3	10700	Tension release lever screw
4	10791	Tension bracket
5	10789	Tension stud
6	10791	Tension stud pin
7	10561	Set screw for 10791
8	10691	Tension disk
9	10692	Tension release washer
10	10693	Tension disk spring
11	28206	Tension thumb nut stopper
12	37279	Tension thumb nut
13	10792	Tension stud (short)
14	10545	Set screw for 10792
15	10690	Take-up spring stop
16	10650	Set screw for 10690
17	16689	Thread take-up spring
18	10694	Thread controller spring
19	10695	Set screw for 10694
20	10697	Tension thumb nut
21	10582	Thread guide (upper)
22	10683	Thread guide (middle)
23	10759	Thread guide (lower)
24	10768	Felt for thread guide
25	10685	Screw for thread guide
26	10680	Thread retainer
27	10681	Set screw for 10680

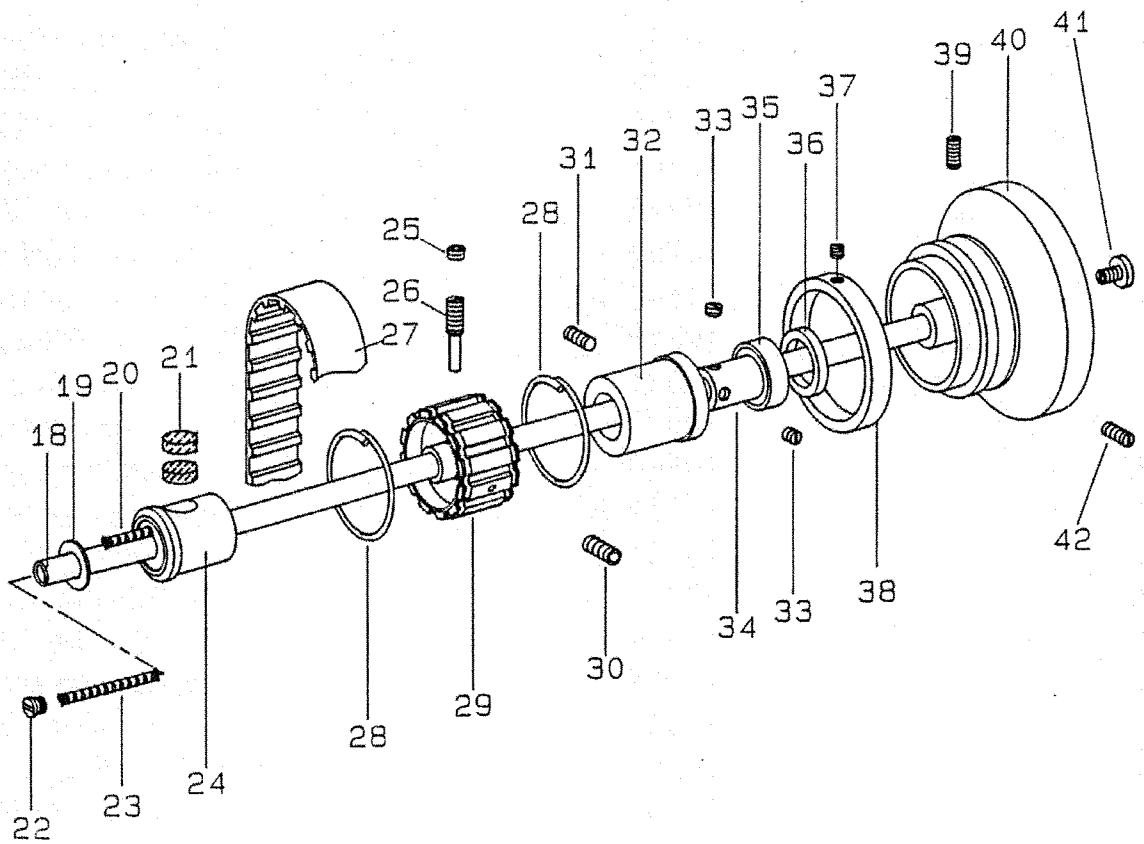
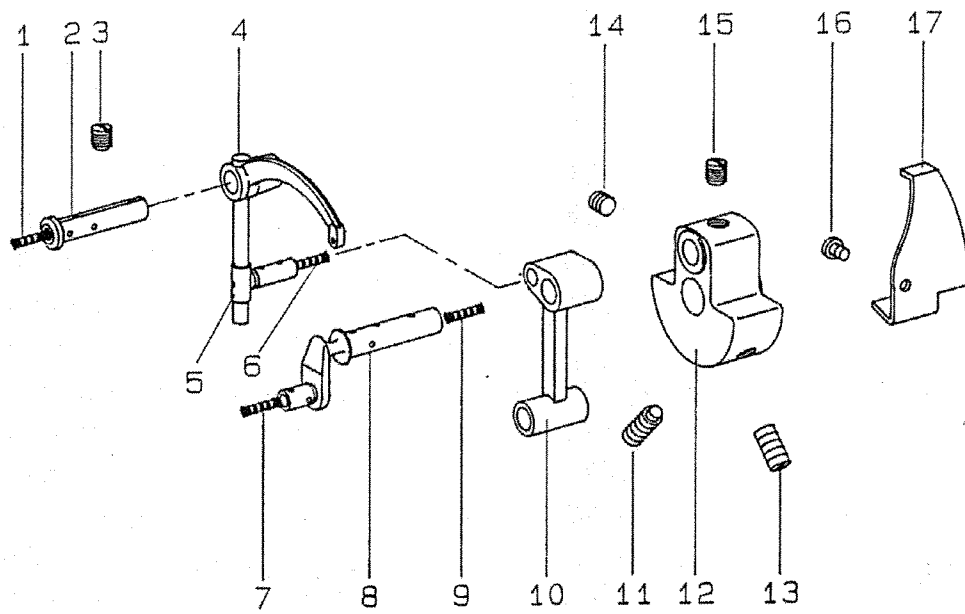
2.

THREAD TENSION



3. Arm shaft, Thread take-up lever		
Fig. No.	Part No.	Description
1.	10726	Oil wick for 10527
2.	10527	Take-up lever hinged stud
3.	10525	Screw for 10527
4.	10526	Thread take-up lever
5.	13304	T/lever driving stud
6.	10728	Oil wick for 13304
7.	10726	Oil wick for 10523
8.	13305	Thread take-up lever crank
9.	10728	Oil wick for stud
10.	10528	Needle bar connection stud
11.	10521	Screw for 10520
12.	10520	Needle bar crank
13.	10522	Screw for 10520
14.	10524	Set screw for 13305 (A)
15.	10764	Set screw for 13305 (B)
16.	10650	Screw for 10551
17.	10551	T/Lever oil stop
18.	13422	Arm shaft
19.	10563	Washer for 10562
20.	10729	Oil wick for 10526
21.	10725	Oil felt for 10562
22.	10506	Oil packing stop screw
23.	10724	Oil wick for 13422
24.	10562	Arm shaft bushing (front)
25.	10542-G	Set screw for 10570
26.	10570	Pulley position screw
27.	10621	Arm shaft connecting belt
28.	10574	Pulley spring flange
29.	10569	Belt pulley (upper)
30.	10571-G	Pulley set screw
31.	10522	Set screw for 13074
32.	13074	Ball bearing adapter
33.	10566	Set screw for 13075
34.	13075	Bearing adapter sleeve
35.	10567	Arm shaft ball bearing
36.	10568	Ball bearing washer
37.	10566	Screw for 13423-A, B
> 38.	13423-B	Indicator ring (B)
O 39.	13423-A	Indicator ring (A)
40.	10576	Balance wheel screw (A)
41.	10504	Balance wheel
42.	10577	Arm shaft screw
43.	10579	Balance wheel screw

3. Arm shaft, Thread take-up lever

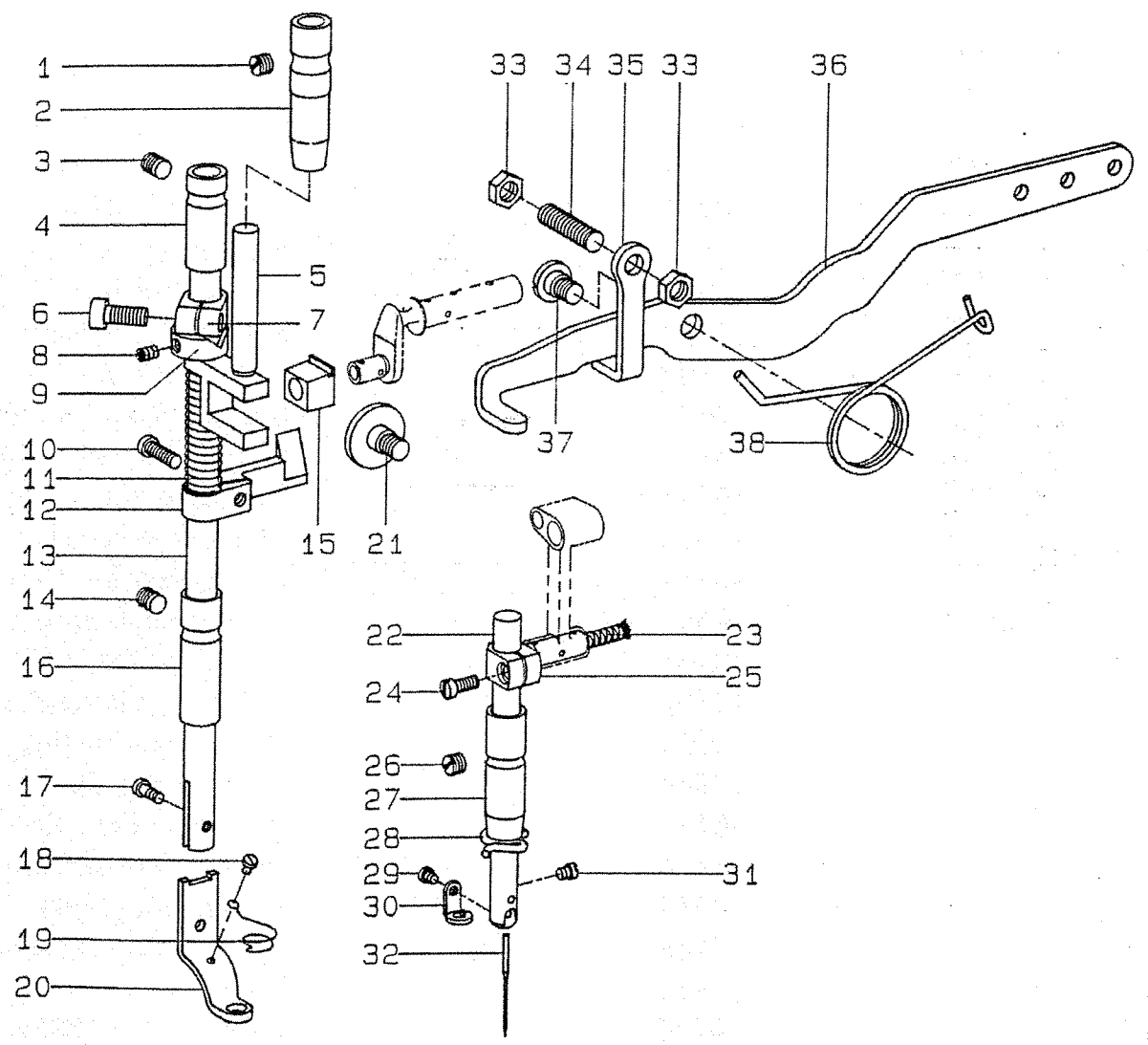


4. Presser bar, Needle bar

Fig. No.	Part No.	Description
1.	10764	Set screw for 13308
2.	13308	Presser bar bushing
3.	10761	Screw for 10538
4.	10538	Presser bar bushing (upper)
5.	13307	Presser bar fork
6.	13078	Set screw for 13309
7.	13309	Lifting bracket
8.	2067	Set screw for 13310
9.	13310	Lifting bracket (middle)
10.	10545	Set screw for 13311
11.	13312	Tension release spring
12.	13311	Lifting bracket (lower)
13.	10540	Lifting lever spring
14.	10761	Set screw for 10539
15.	13306	T/Take-up lever block
16.	10539	Presser bar bushing (lower)
17.	10664	Pinch screw for 13313
18.	8031	Set screw for 13314
19.	13314	Presser foot spring
20.	13313	Presser foot body
21.	10548	P/Bar lifting bracket screw
22.	13315	Needle bar
23.	10726	Oil wick for 10856
24.	10532	Set screw for 10856
25.	10856	Needle bar connecting stud
26.	13316	Needle bar bushing
27.	10764	Set screw for 13361
28.	13317	Thread guide
29.	10534	Set screw for 10860
30.	10860	Needle bar thread guide
31.	10535	Needle set screw
32.	13326	Needle (FO x 3 # 18)
33.	13084	Nut for 13057
34.	13317	Screw for 13057
35.	13057	Foot lifter lever flange
36.	13056	Knee lifter lifting lever
37.	10712	Set screw for 13056
38.	13059	Foot lifter lever spring

4.

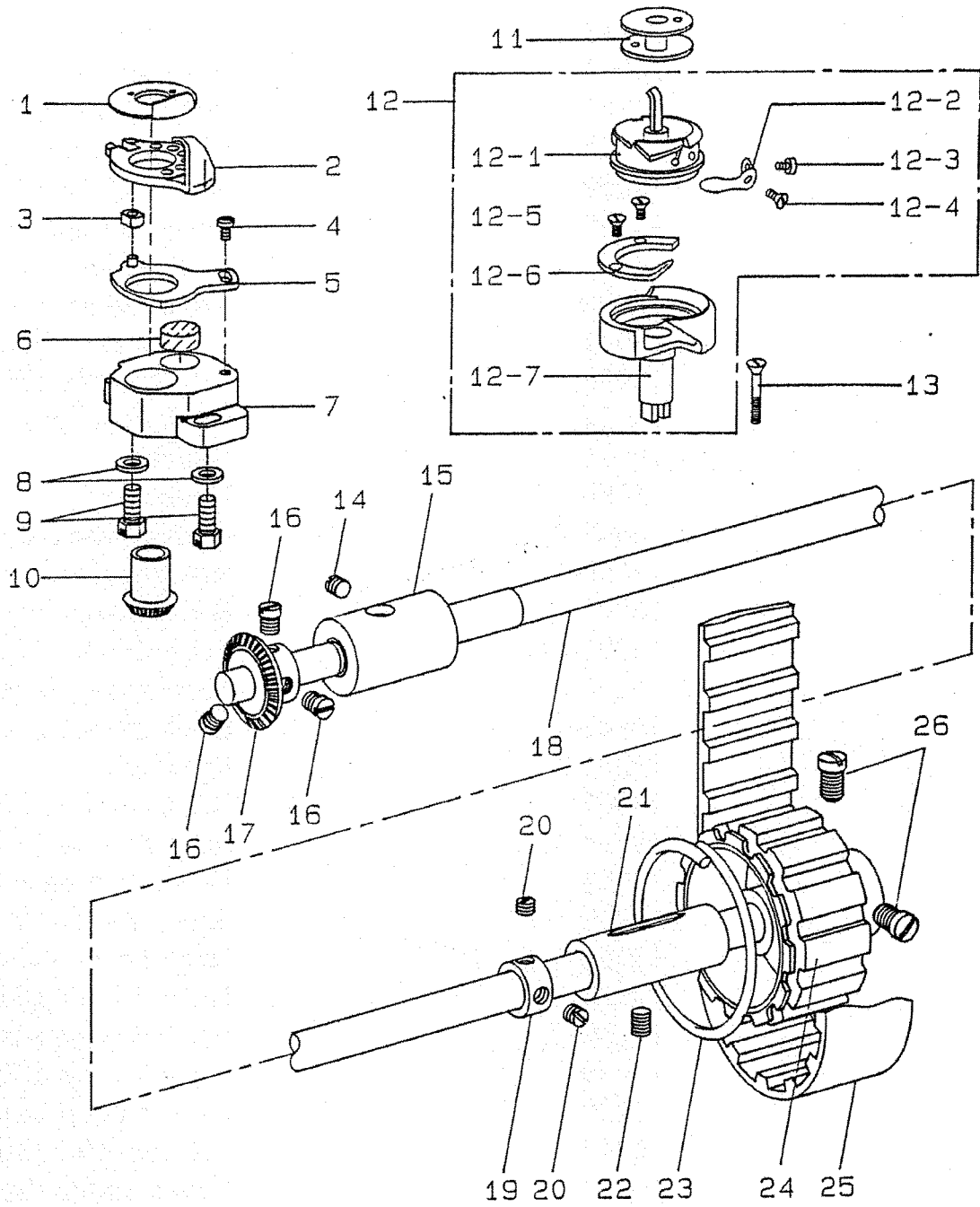
Presser bar, Needle bar



5. Hook driving shaft, rotating hook

Fig. No.	Part No.	Description
1.	13042	Hook washer
2.	13041	Bobbin case opener
3.	13040	B/Case lever eccentric
4.	10650	Set screw for 13038
5.	13038	Lever fulcrum washer stud
6.	13081	Hook saddle felt (A)
7.	13035	Hook saddle
8.	13037	Washer for 13036
9.	13036	Set screw for 13037
10.	13034	Hook bevel gear socket
11.	10656	Bobbin
12.	13086	Hook set
12-1	10655-2	Bobbin case base
12-2	13086-1	Rotating hook body
12-3	16291-7	B/Case tendon spring
12-4	16291-11	Set screw for 16291-7
12-5	16291-8	Tension regulating screw
12-6	16407-4	Hook gib set screw
12-7	16291-3	Hook gib
13.	13807	Set screw for 13086
14.	10764	Set screw for 13028
15.	13028	Hook shaft bushing (front)
16.	13033	Screw for 13032
17.	13032	Hook bevel pinion
18.	13325	Hook driving shaft
19.	13049	Hook driving shaft collar
20.	13050	Set screw for 13049
21.	13029	Hook shaft bushing (rear)
22.	10767	Set screw for 13029
23.	10574	Pulley spring flange
24.	10941	Belt pulley (lower)
25.	10621	Arm shaft connecting belt
26.	10612	Set screw for 10941

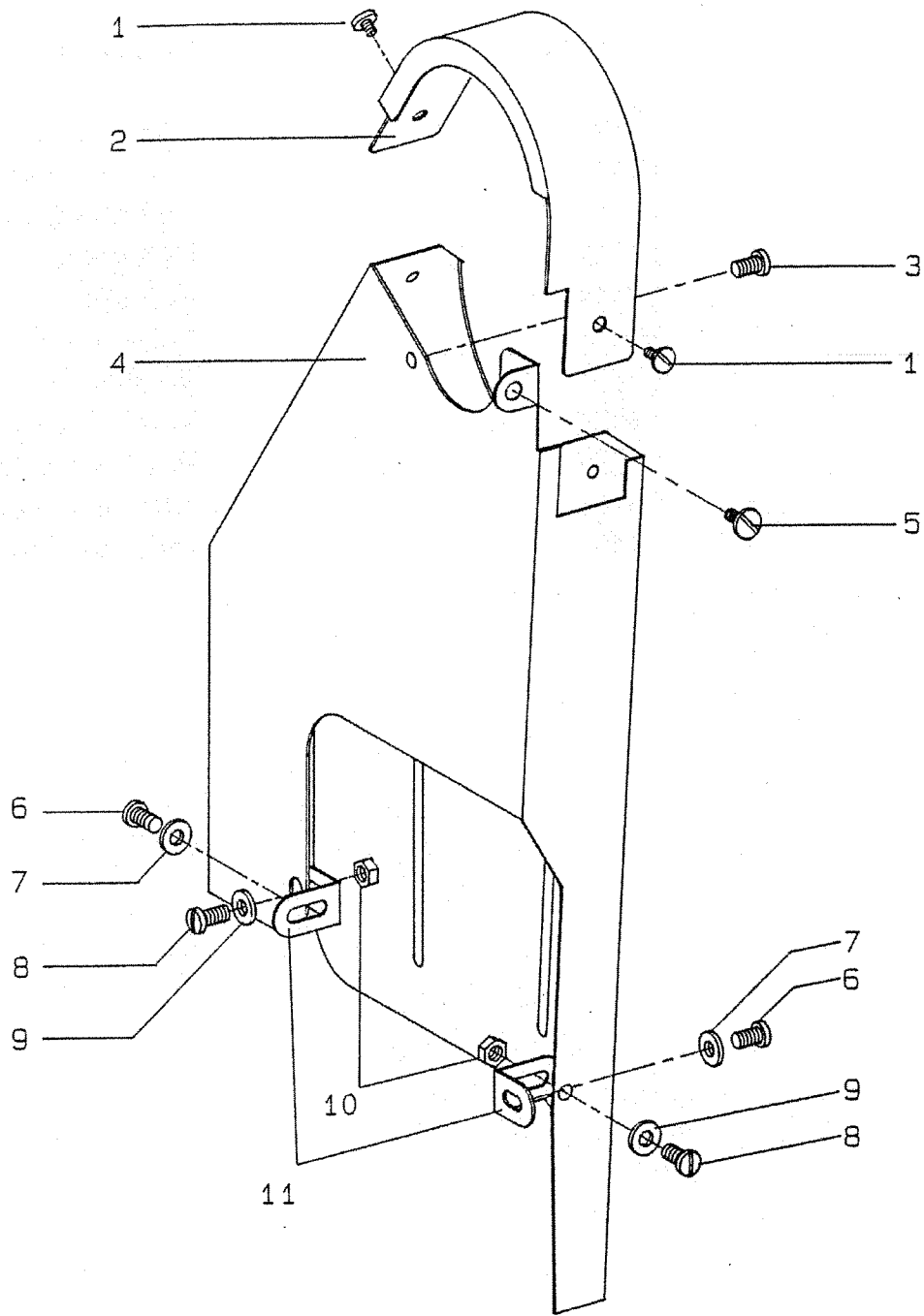
5. Hook driving shaft, rotating hook



6. Belt Guard

Fig. No.	Part No.	Description
1.	6339	Screw for 13426
2.	13426	Belt guard upper cover
3.	11126	Belt guard set screw (A)
4.	13132	Belt guard
5.	10559	Belt guard set screw (B)
6.	10516	Set screw for 13132
7.	11142	Washer for 10516
8.	14024	Screw for 13427
9.	16287	Washer for 13427
10.	50103	Nut for 13127
11.	13427	Belt guard set plate

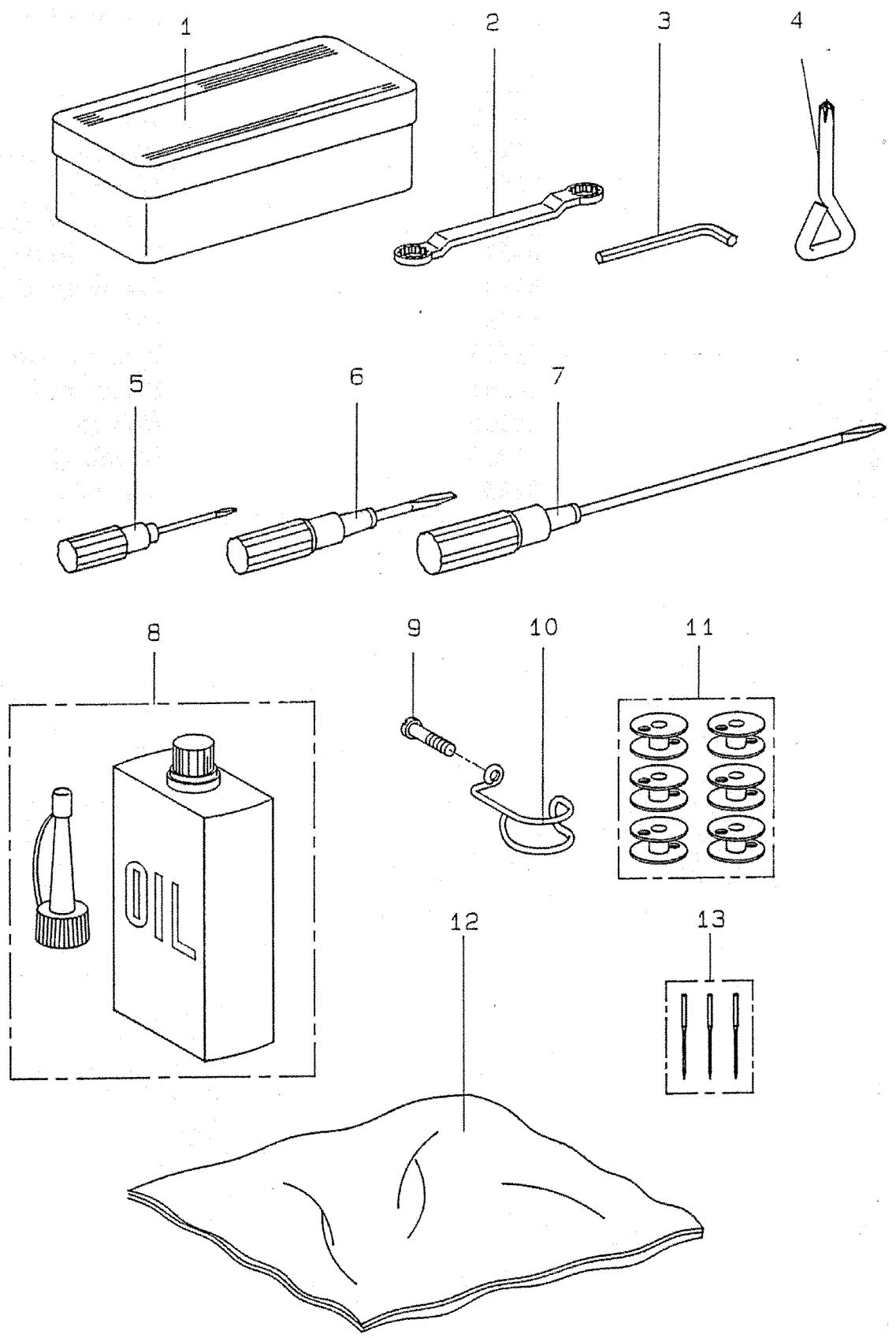
6. Belt Guard



7-1.**Accessories**

Fig. No.	Part No.	Description
1.	8132	Accessories box
2.	10748	Wrench
3.	11487	Wrench (3mm)
4.	8180	Screw driver
5.	8121	Screw driver (small)
6.	8120	Screw driver (medium)
7.	8118	Screw driver (large)
8.	8123	Oil
*9.	13318	Finger guard
*10.	10749	Set screw for 13318
11.	10656	Bobbin
12.	13326	Needle (FO x 3 # 18)
13.	8124	Vinyl cover

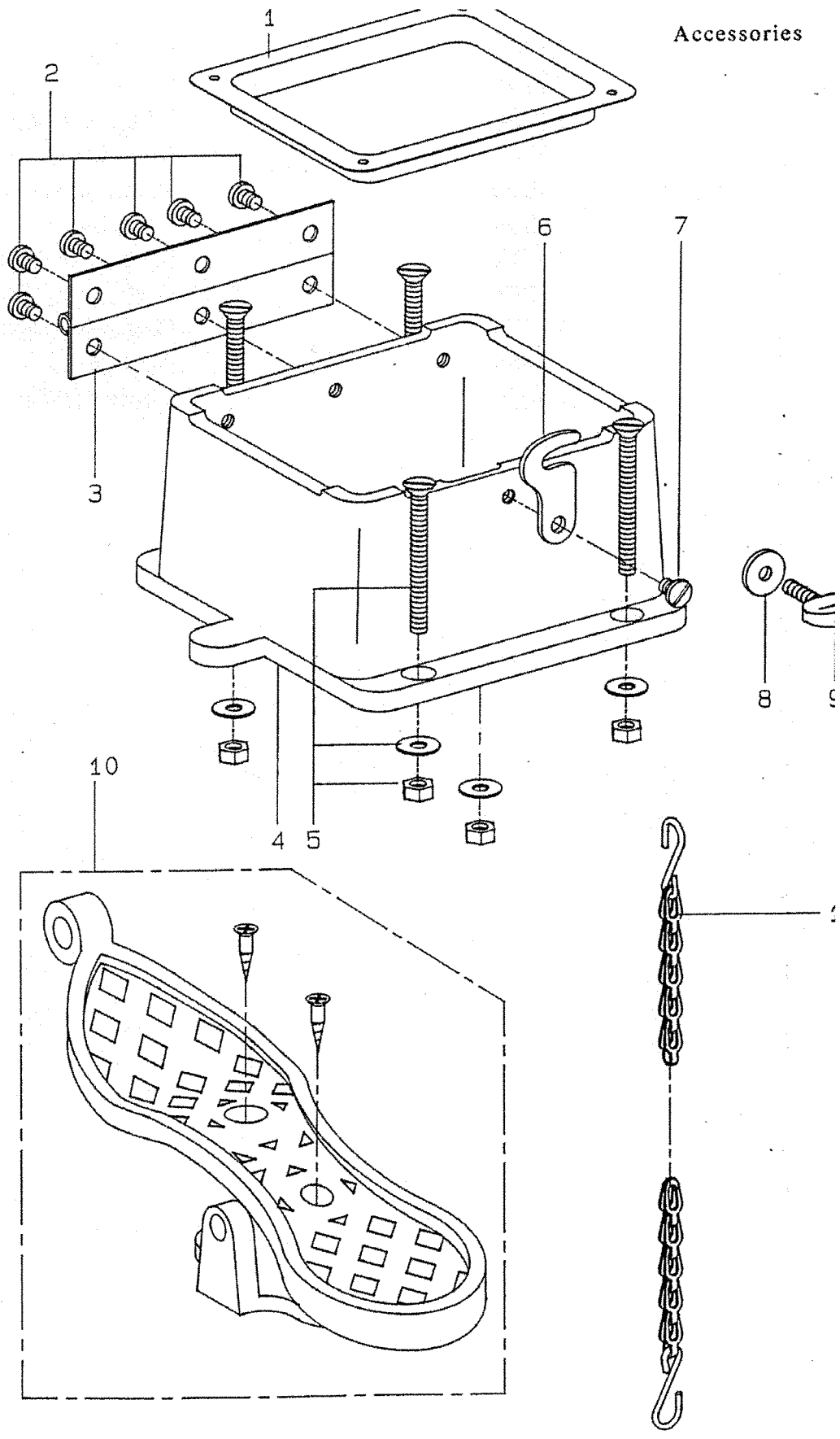
Accessories



7-2. Accessories

Fig. No.	Part No.	Description
1.	13089	Oil Pan
2.	13005	Hinge set screw
3.	13004	Hinge for bed
4.	13003	Machine base
5.	13096	Machine set screw base Complete
6.	13006	Bed clamp
7.	10712	Set screw for 13006
8.	13008	Bed clamp thumb screw washer
9.	17375	Bed clamp thumb screw
10.	13094	Foot pedal
11.	10656	Chain (900m)

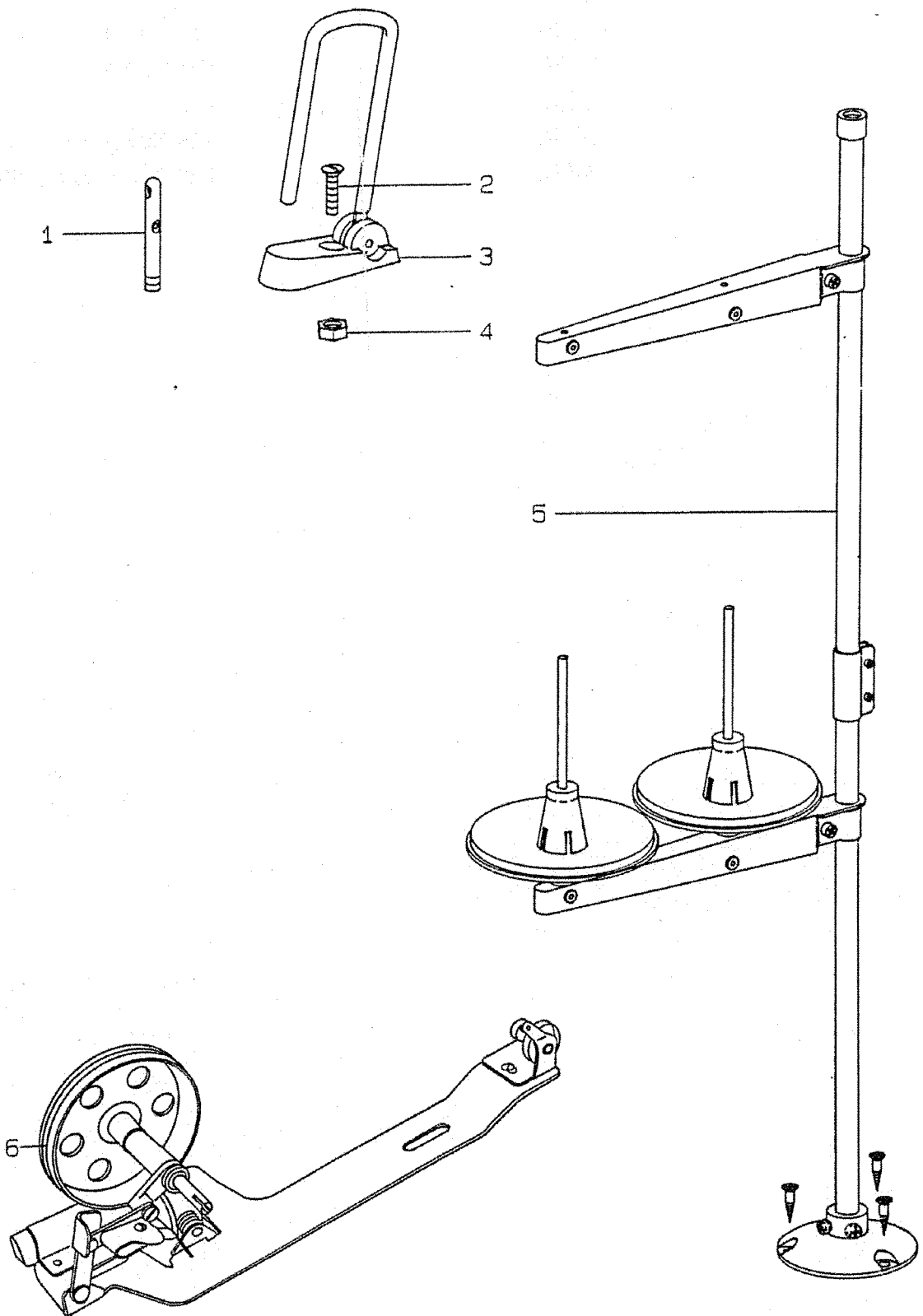
Accessories



7-3.

Accessories

Fig. No.	Part No.	Description
1.	10709	Arm spool pin
2.	13330	Thread stand complete
3.	13330-4	Set screw
4.	10652	Nut
5.	35254	Thread stand (2 cones)
6.	10734	Bobbin winder complete



Consolidated Sewing Machine Corp.

Website: www.consew.com

MAIN office

131 W. 25th Street
New York, NY 10001
Tel: 212-741-7788
Fax: 212-741-7787
e-mail: consew@att.net

Miami, FL

4013 N.W. 79th Avenue
Miami, FL 33166
Tel: 305-471-0200
Fax: 305-471-0243
e-mail: miamisales@consew.com

Los Angeles, CA

2320 South Hill Street
Los Angeles, CA 90007
Tel: 213-745-8844
Fax: 213-745-8855
e-mail: lasales@consew.com