

Form 2761w

(341)

Printed in U. S. A.

HISTORICAL COPY

DO NOT REMOVE

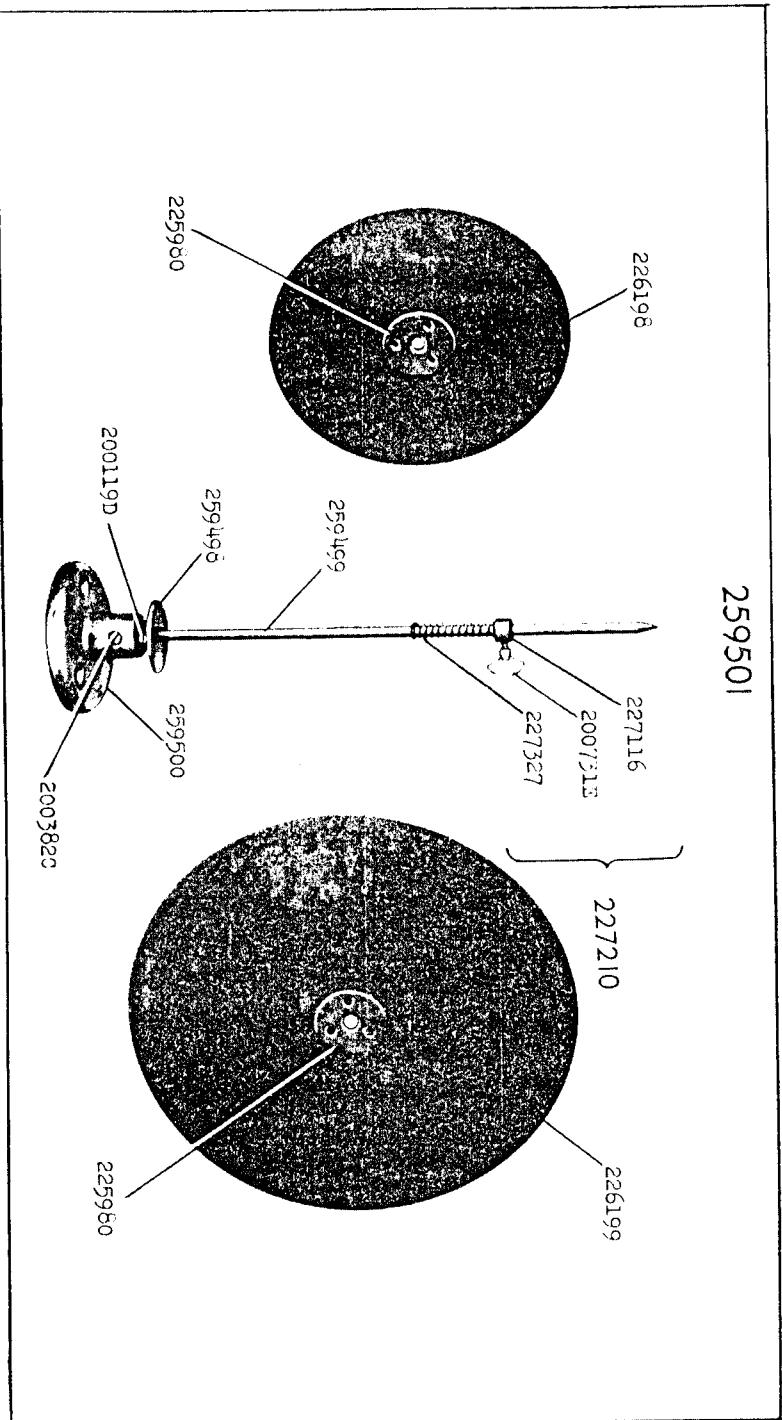
LIST  
OF  
PARTS



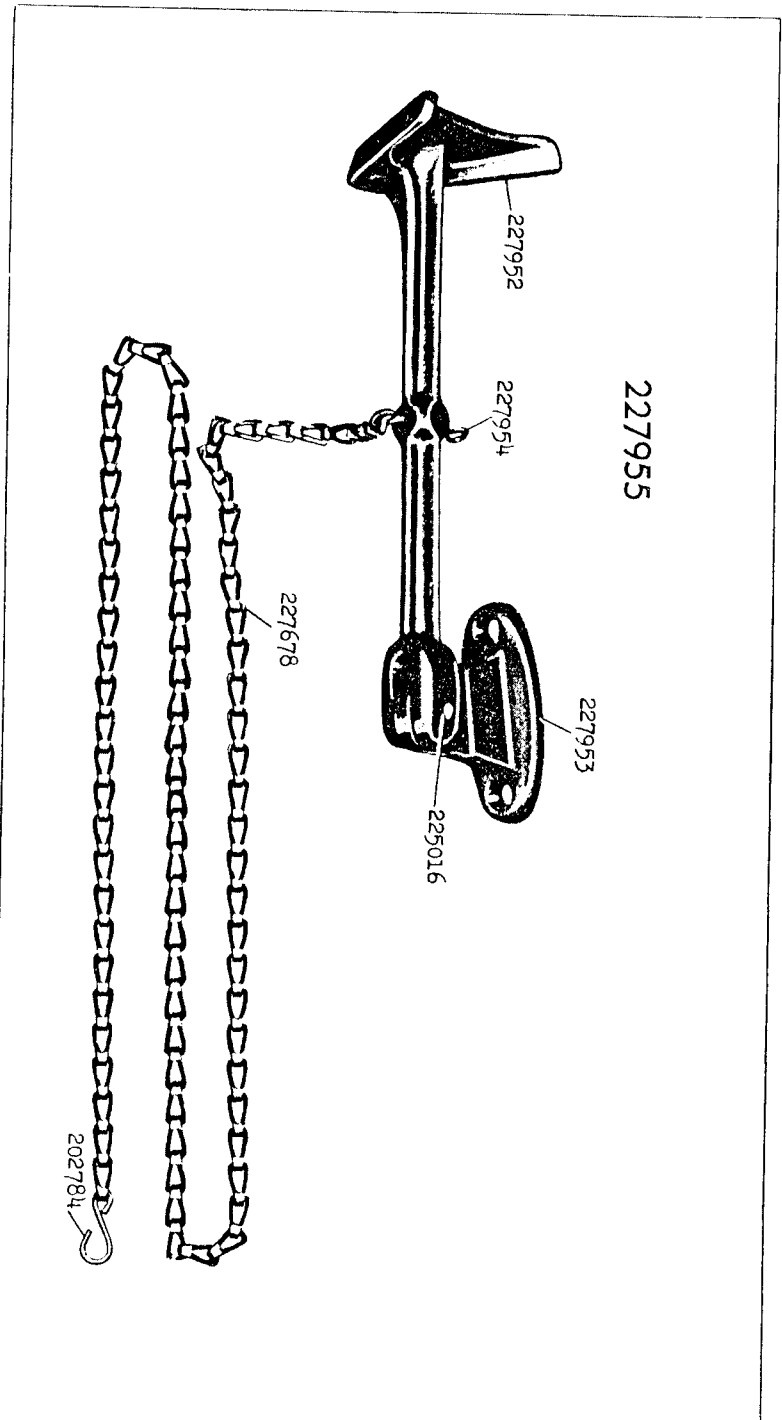
MACHINE No. 107 w15

---

THE SINGER MANUFACTURING COMPANY

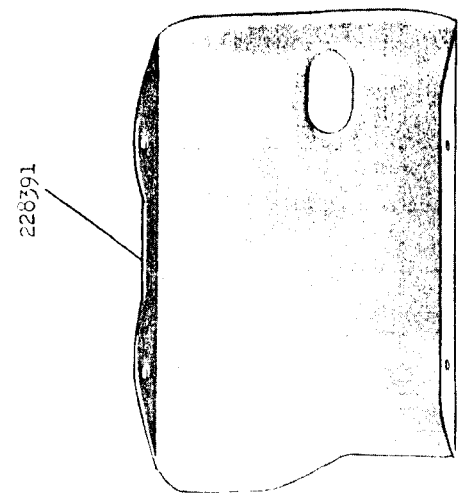


16861 - 1/4

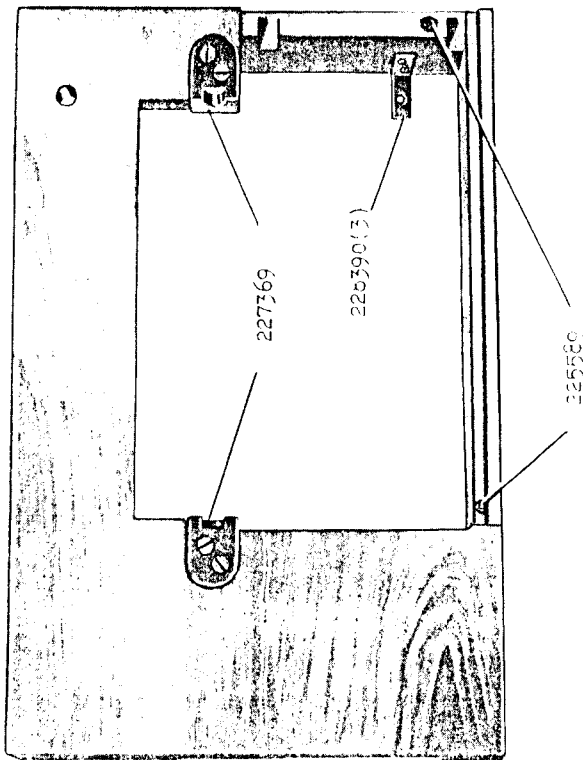


16862 - 1/3

16859 - 1/6

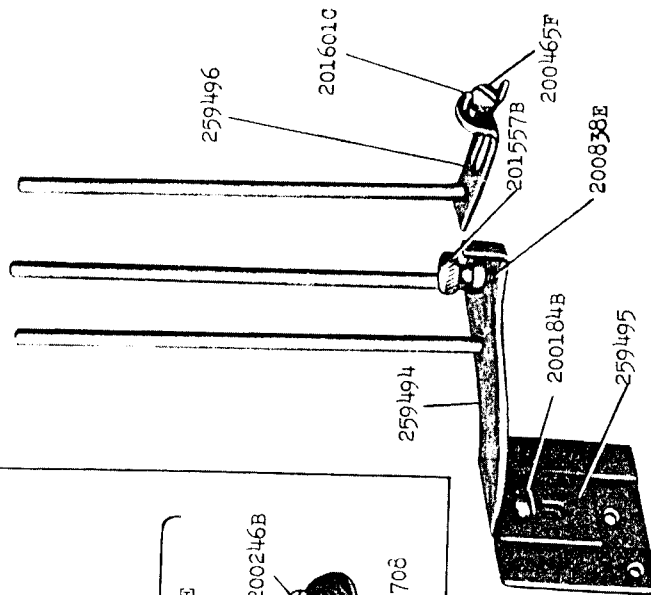


228389

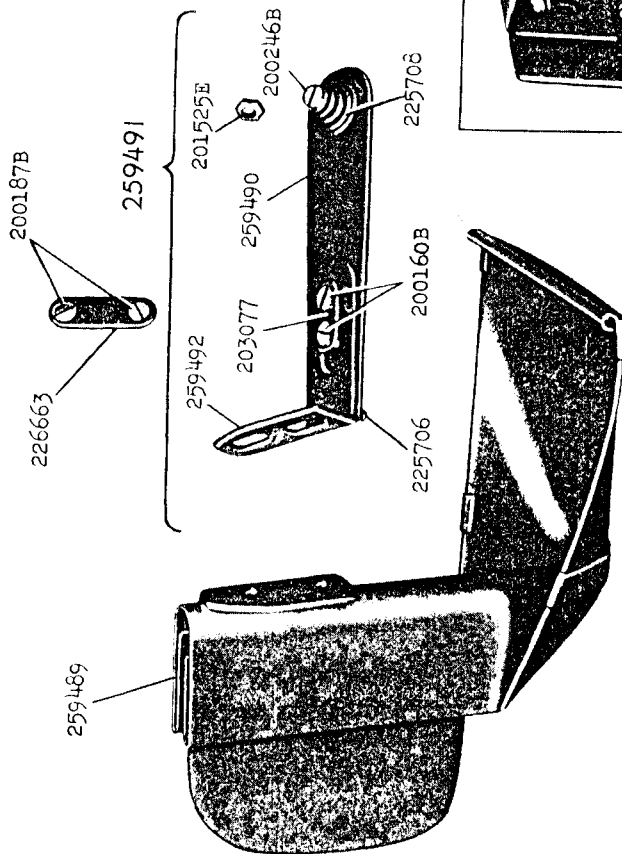


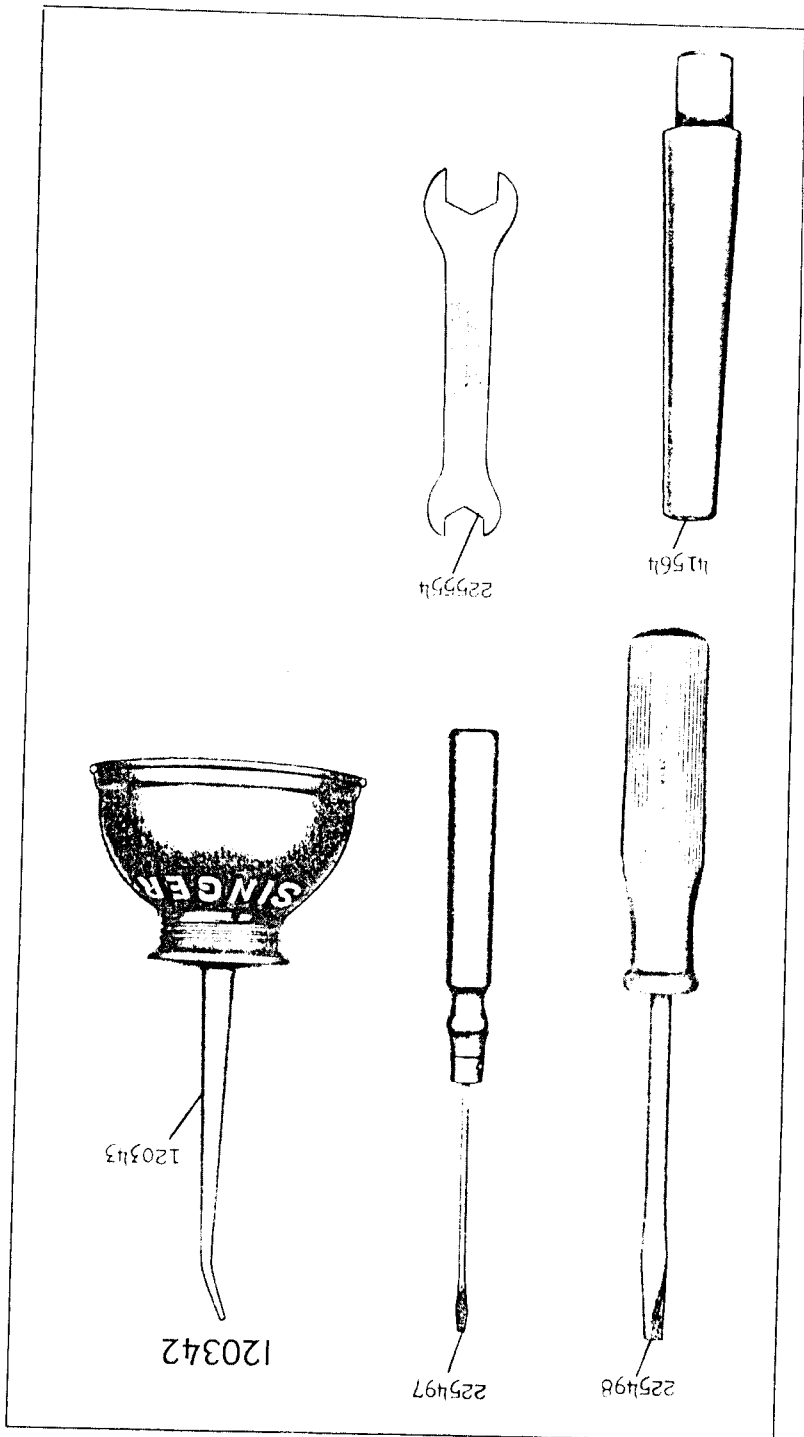
16860 - 3/8

259497

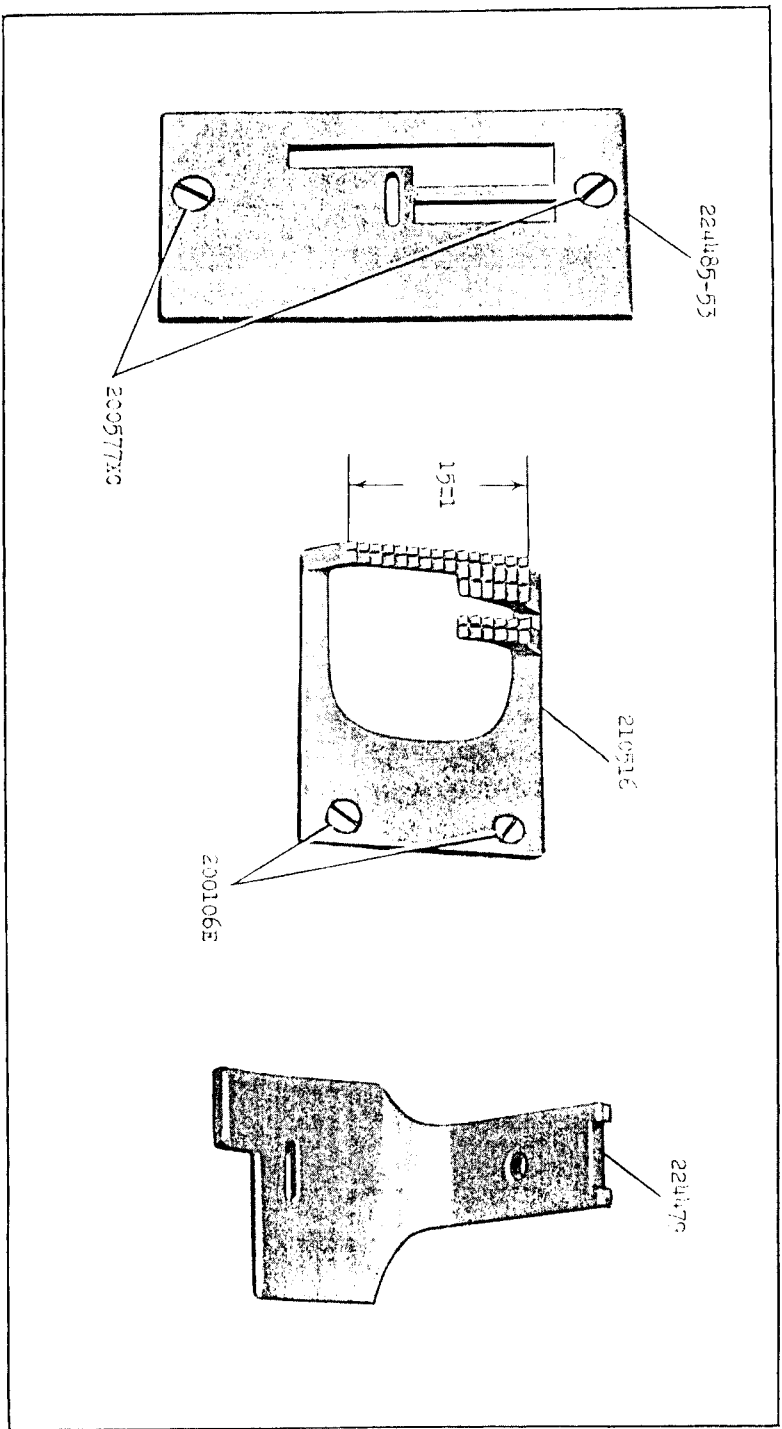


259493



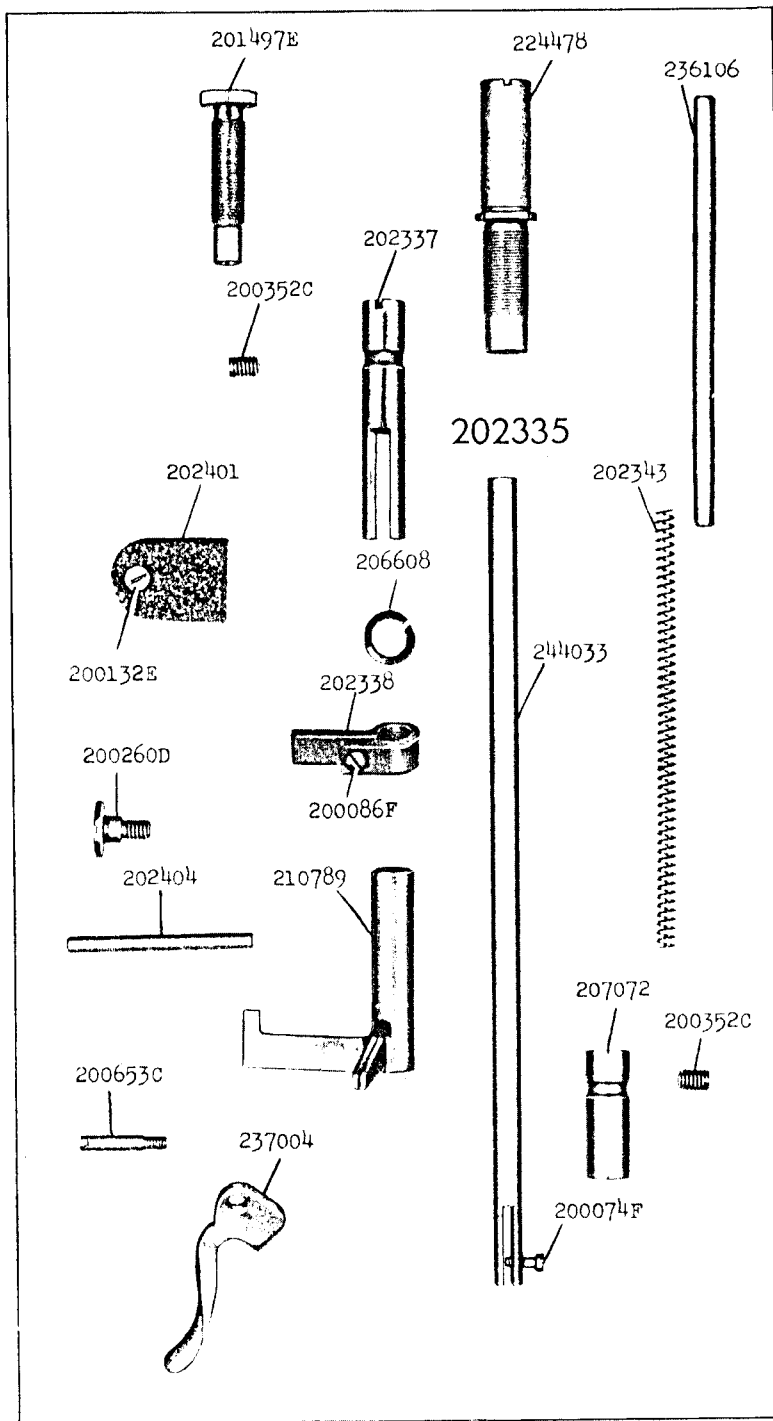


16858 - 1/2

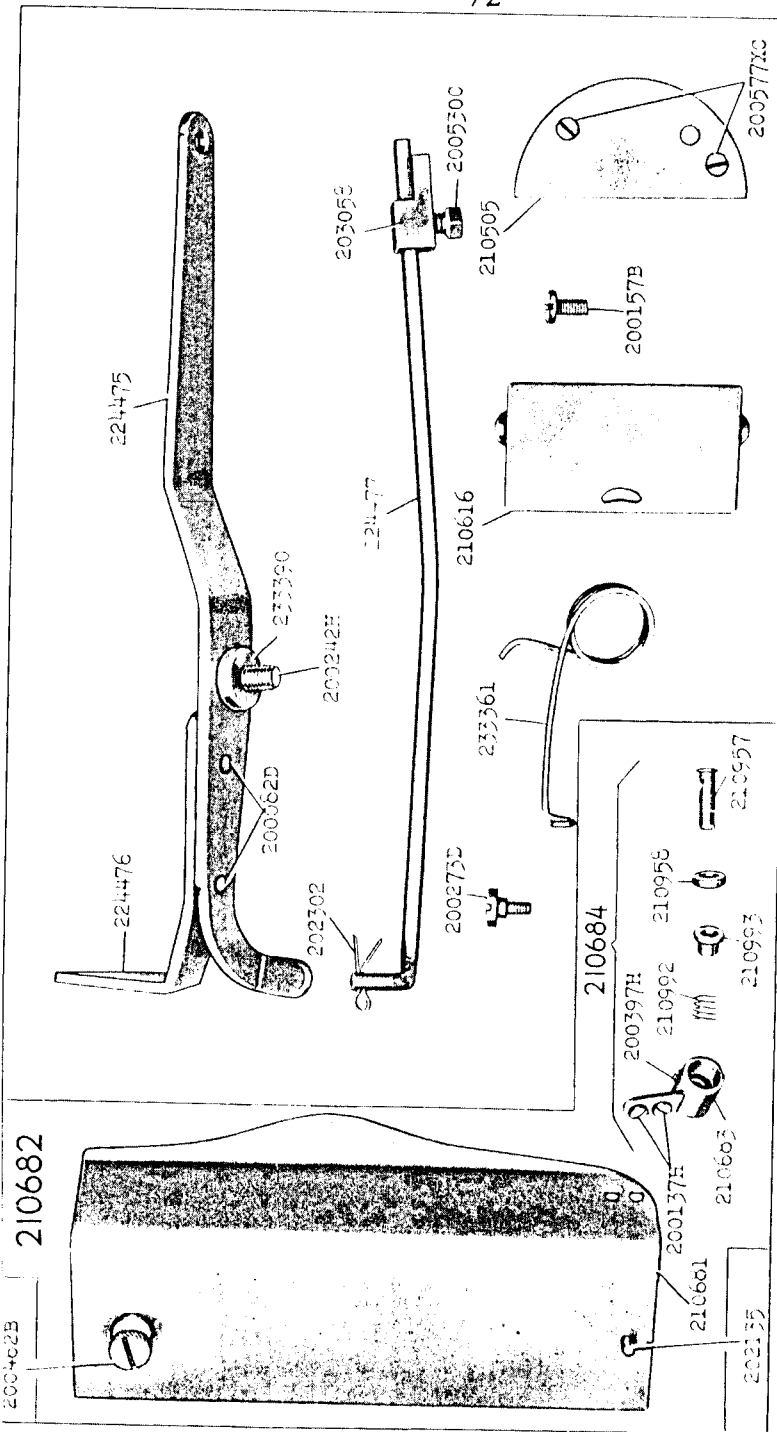


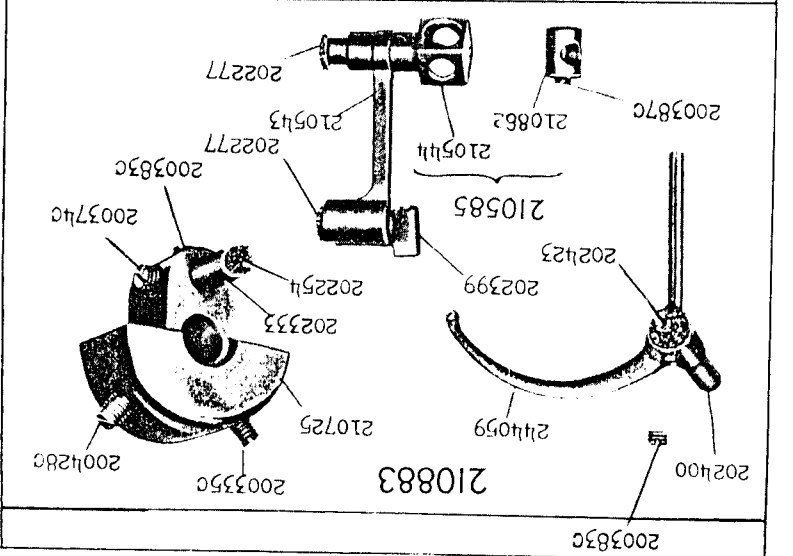
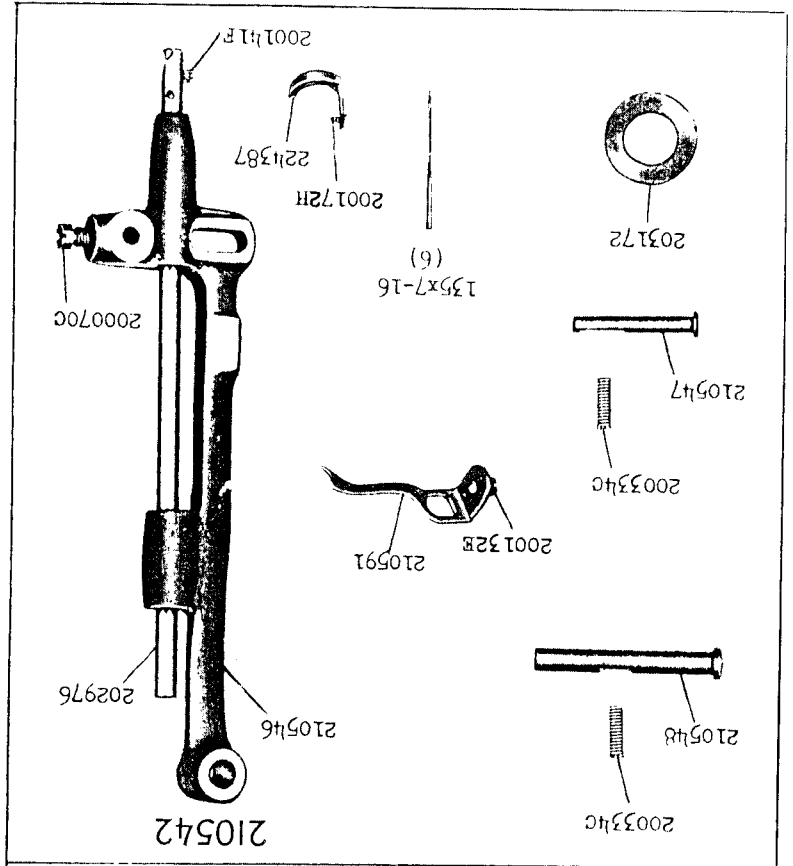
16857

16855 - 1/2

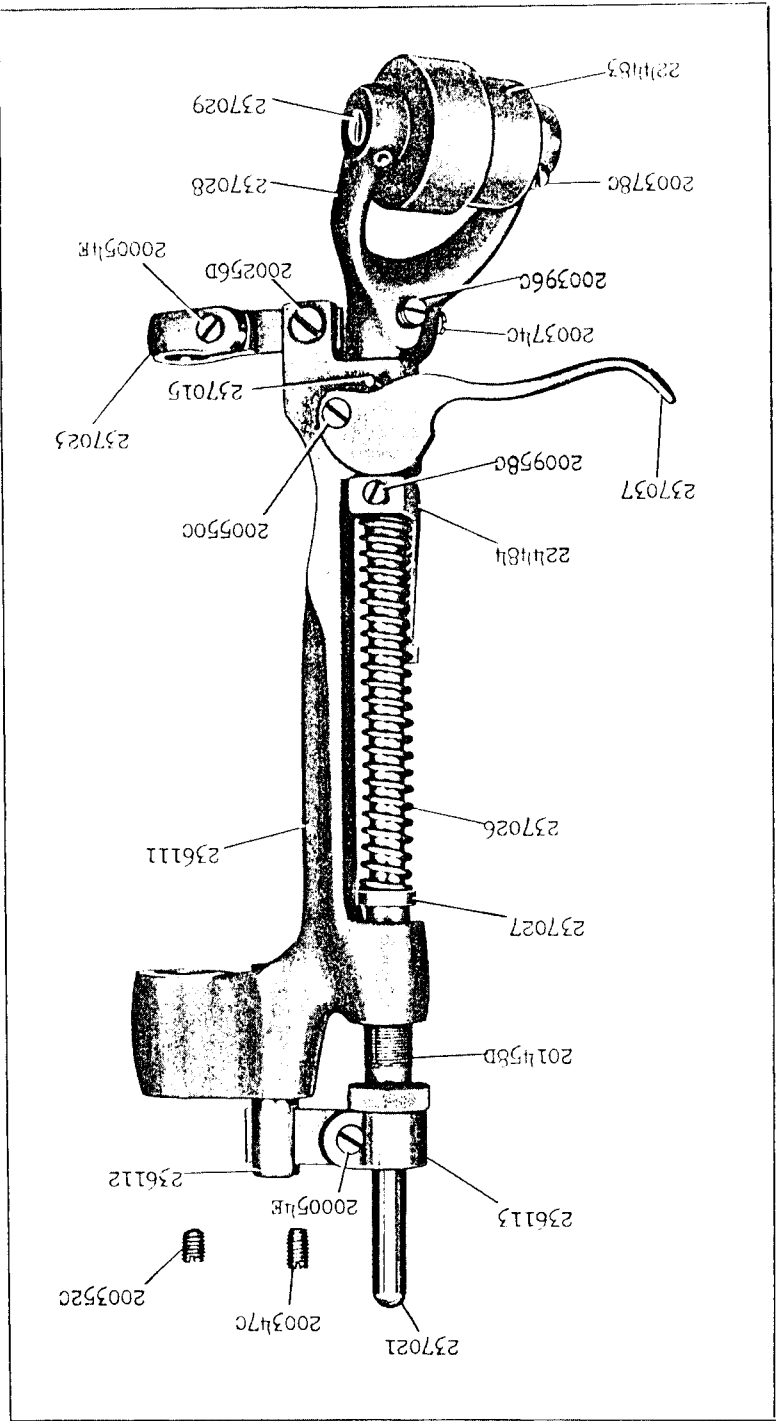


16856 - 1/2



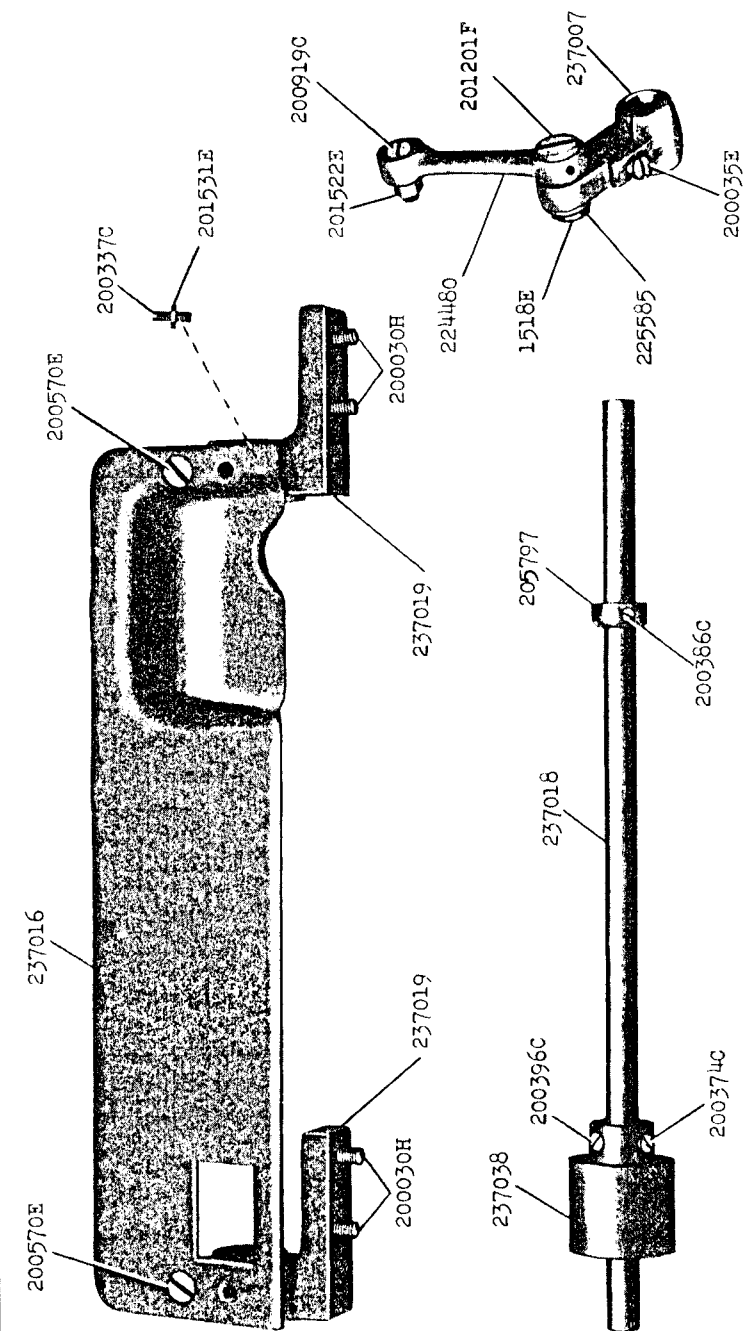


16854 - 1/2

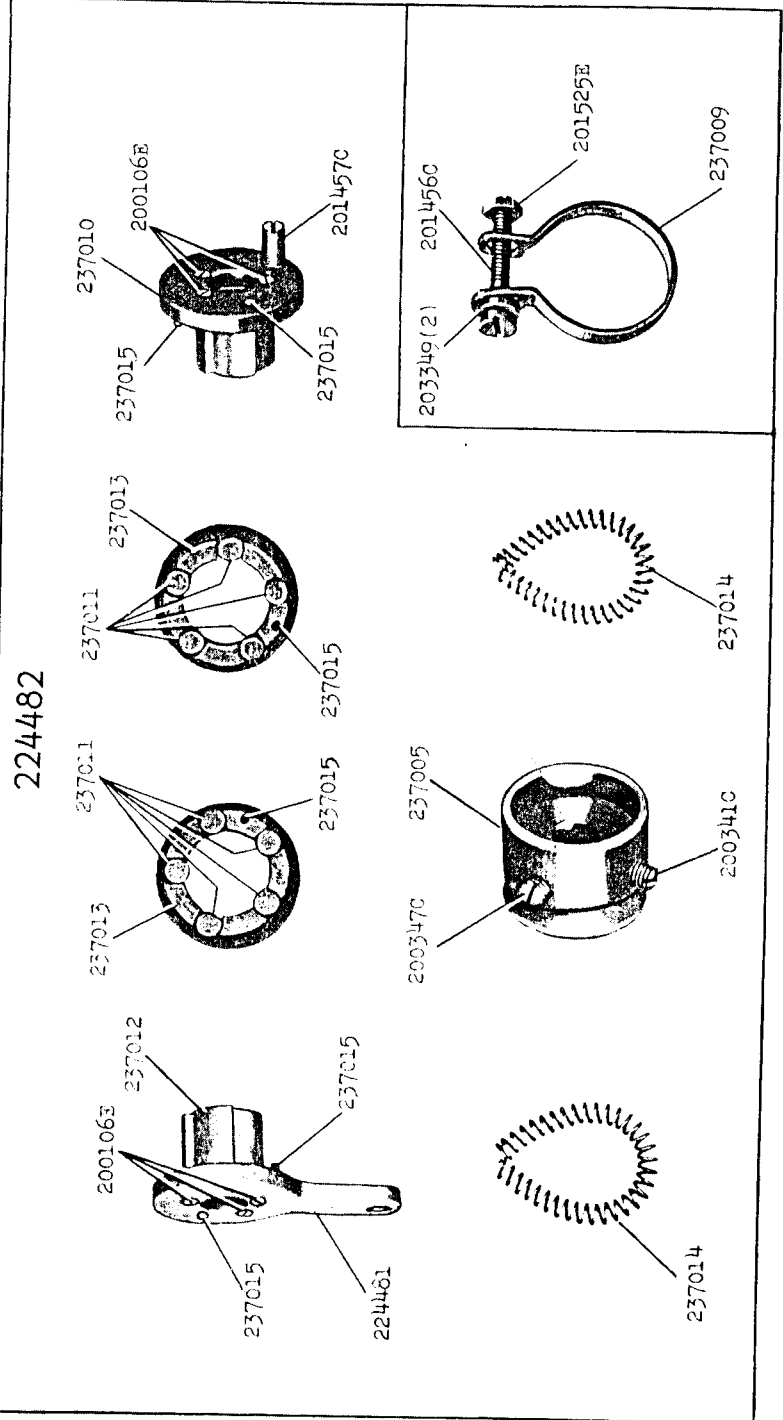


16853 - 1/2

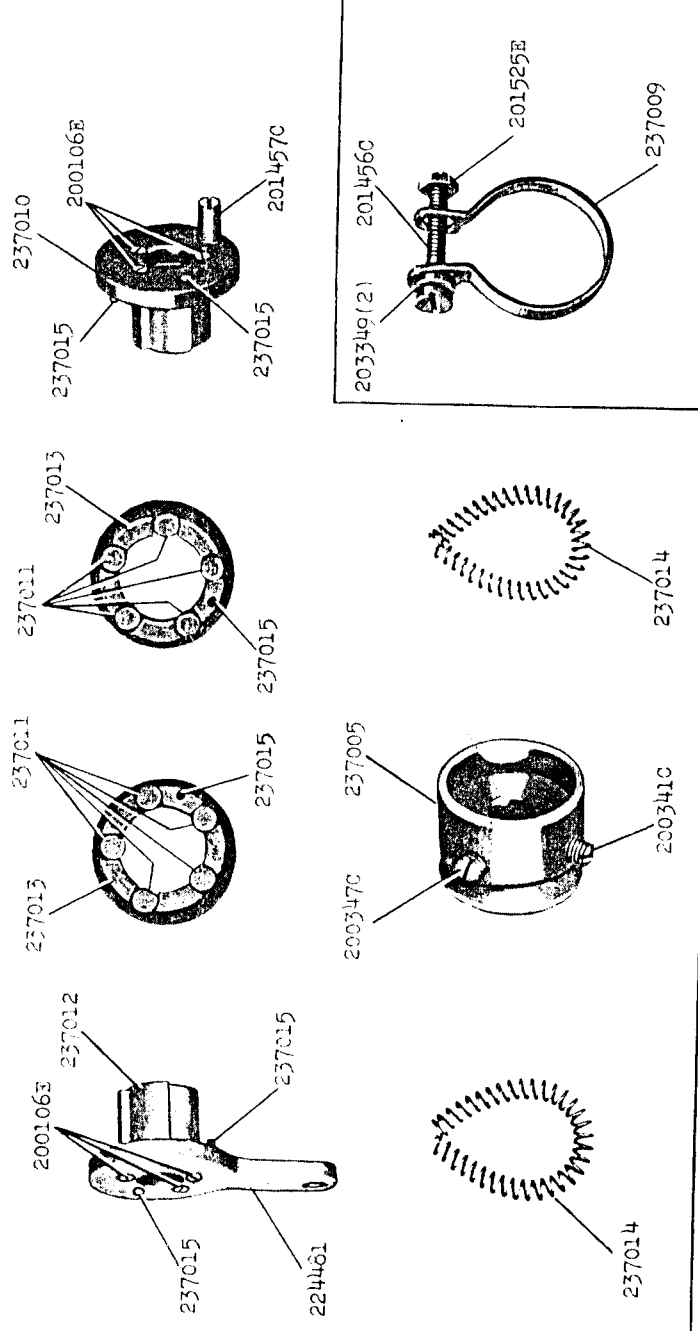
16851 - 3/8



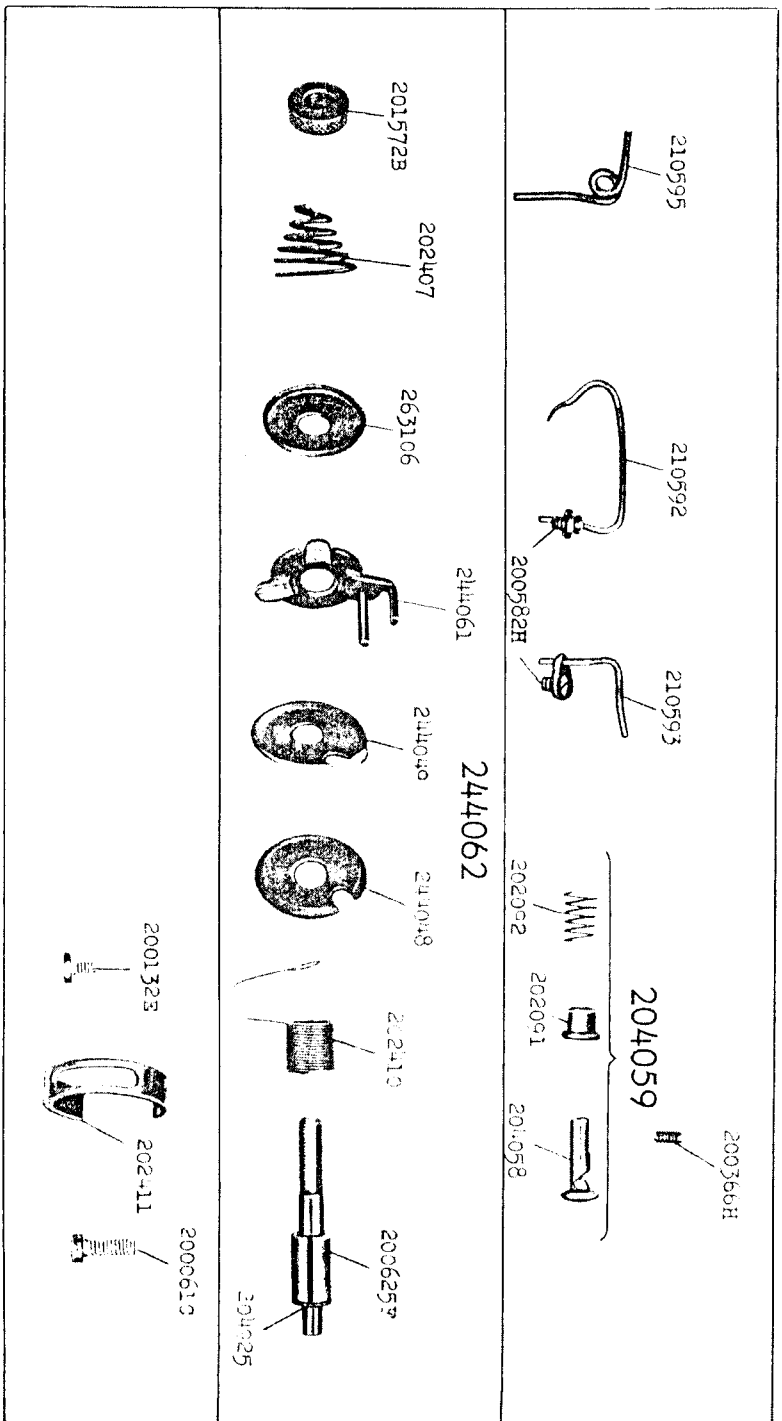
16852 - 1/2



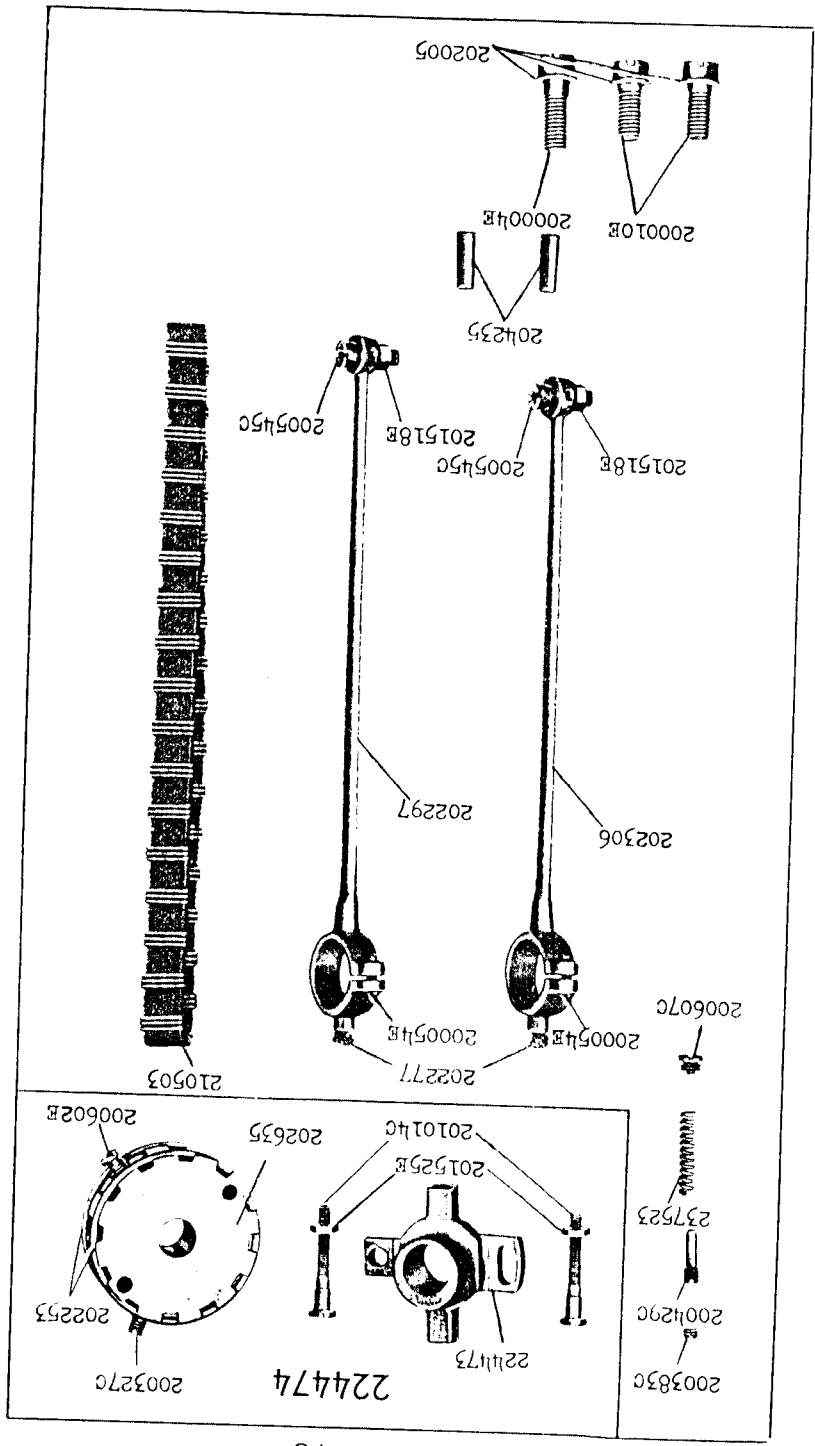
224482



16832 - 2/3

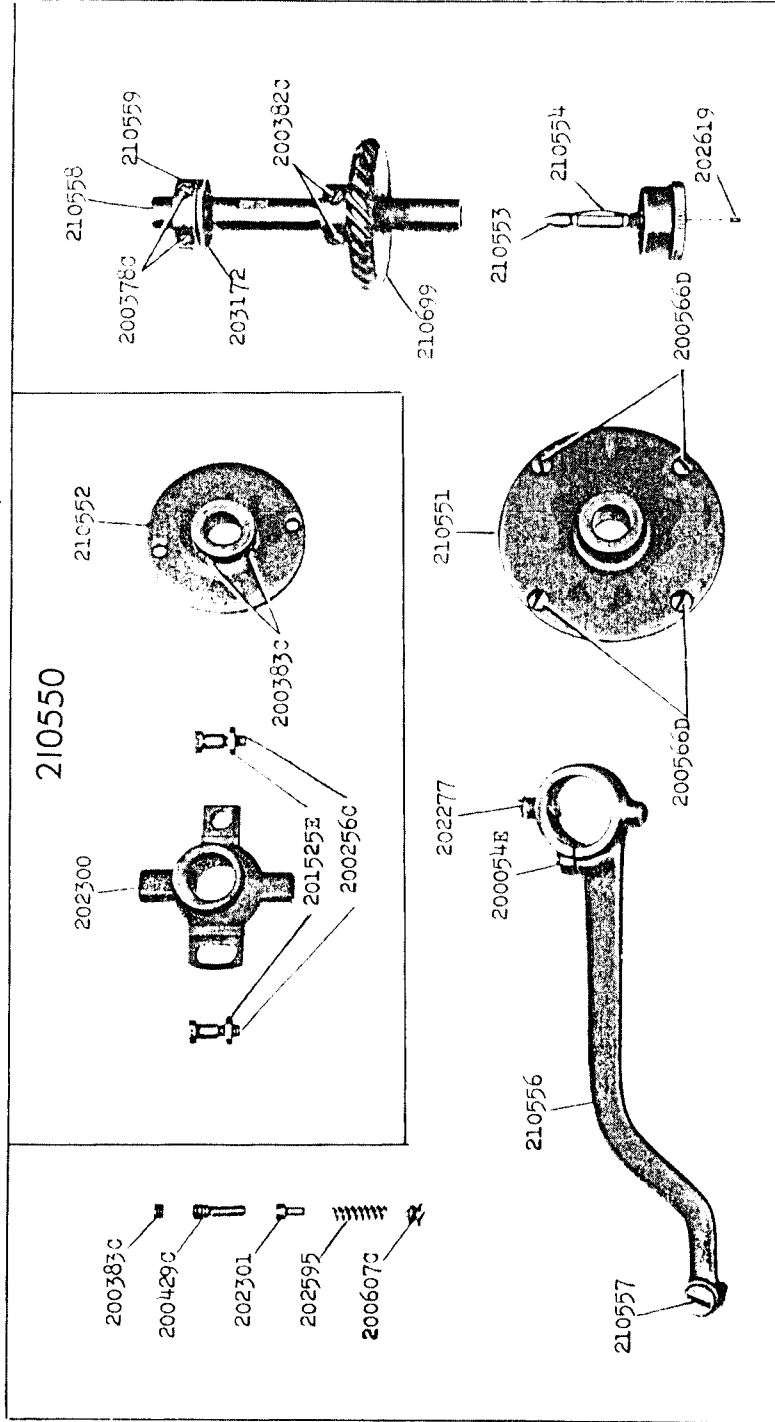


16850 - 3/8

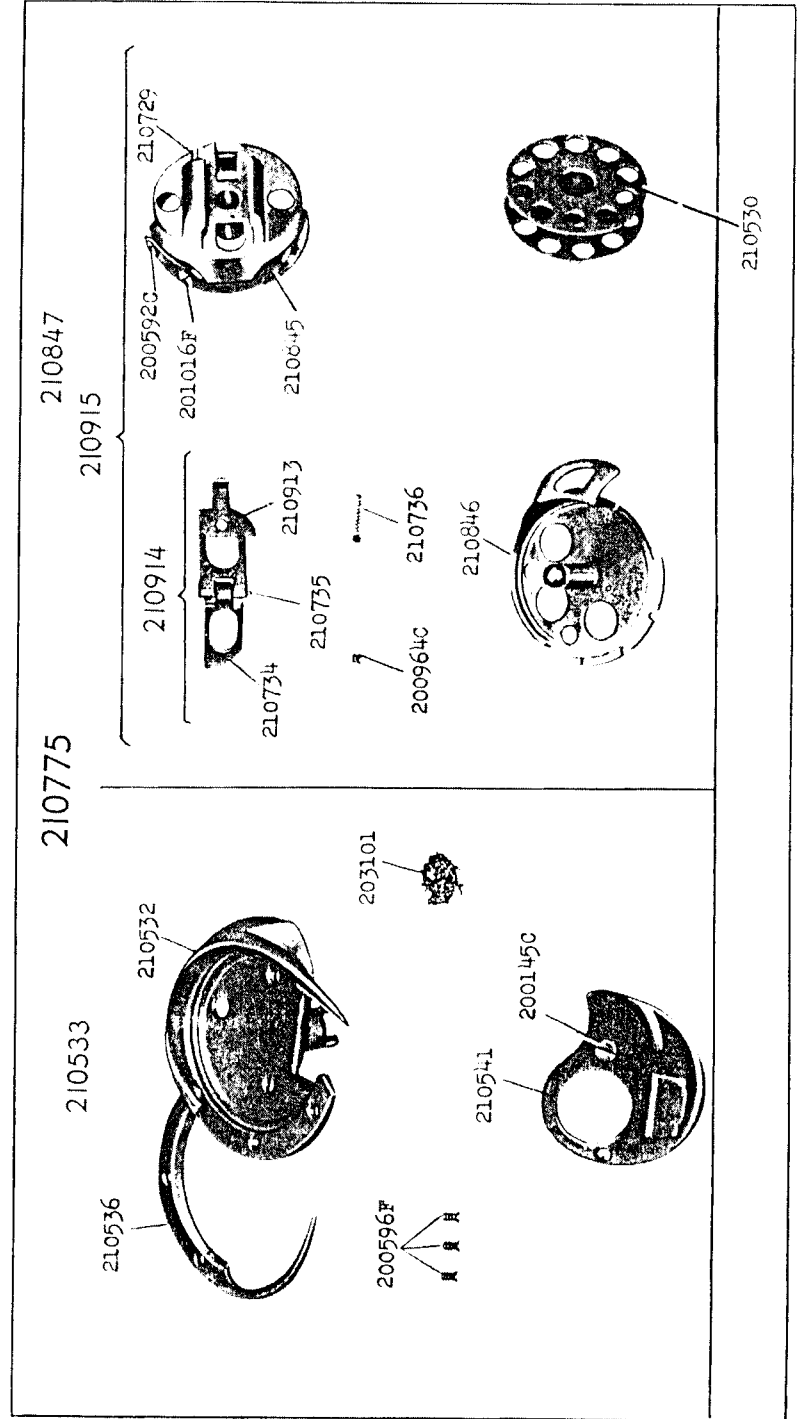




16828 - 3/8



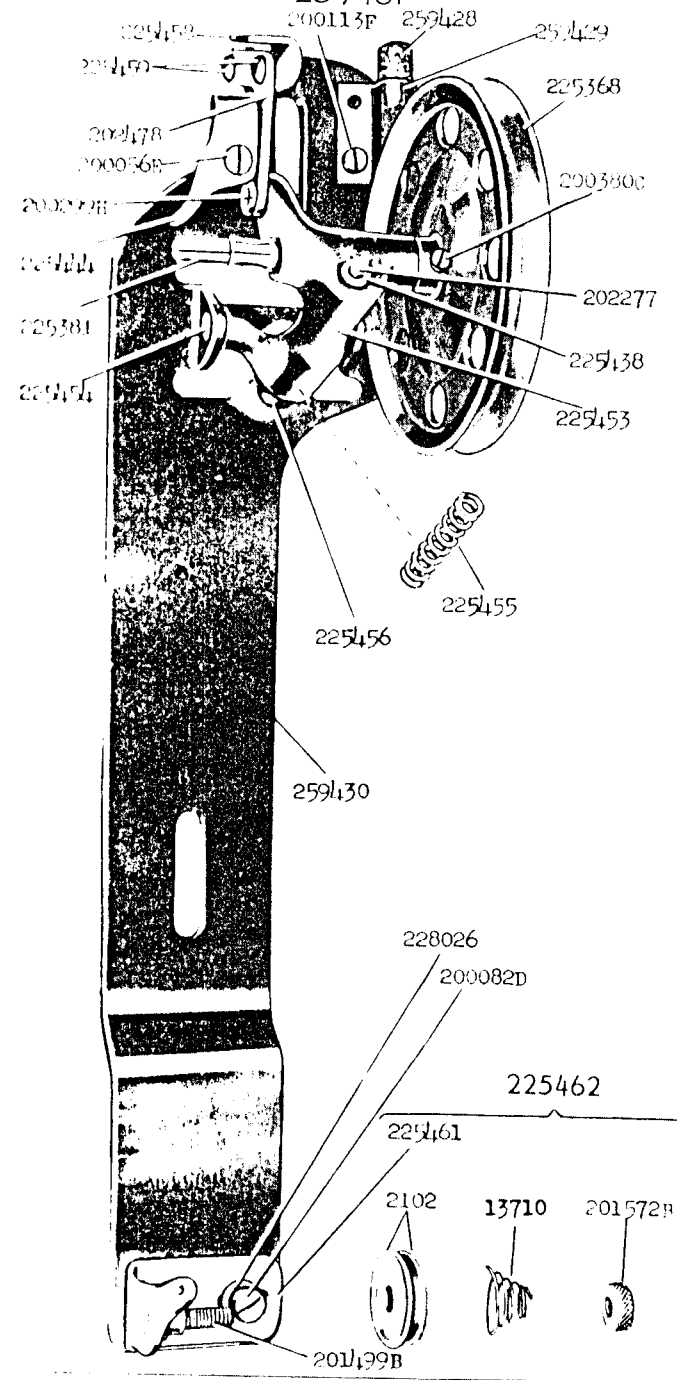
16829 - 3/4





16615 - 1/2

259431



## INDEX

---

	Page
Accessories .....	16
Bobbin Winder .....	16
Foot Lifter .....	17
Machine No.107w15 .....	5
Numerical List of Parts .....	19
Ribbon Leader .....	18
Ribbon Reel .....	18

Copyright, U. S. A., 1940 and 1941  
by The Singer Manufacturing Co.  
All Rights Reserved for all Countries

# INSTRUCTIONS FOR ORDERING

In ordering from this list, use ONLY the PART number in the FIRST column.

The number stamped on a Sewing Machine Part is the number of the Single Part only, except when the part includes Set Screws, Clamping Screws, Studs and Rollers Spun on, Small Wires riveted, or Parts soldered together, etc., which it is necessary to furnish in combination.

Every combination of parts sent out has its specific number which, although not stamped on Parts (except in above case), must be used when ordering the combination.

Each number always indicates the SAME PART in whatever list it appears, or for whatever Machine.

The letters after some of the numbers indicate the style of finish only, as follows:

- A. Hardened, Polished, Nickel Plated and Buffed.
- B. Polished, Nickel Plated and Buffed.
- C. Hardened only.
- D. Polished only.
- E. Soft, not polished.
- F. Hardened and Polished.
- H. Blued.
- J. Nickel Plated only.
- R. Merlized.
- X. Black Oxide.
- XC. Hardened and Black Oxide.
- Y. Black Nickel only.

These letters MUST BE USED when they appear in the list and AFTER the number, as in the list.

In this series:

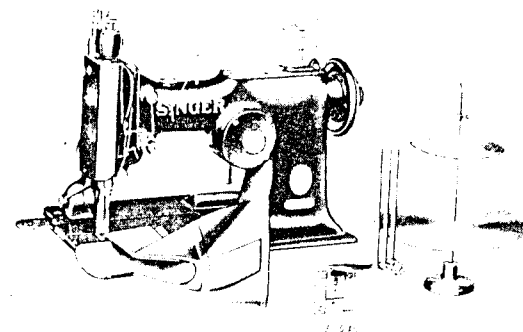
200001 to 201500 and 350001 to 351500 are Screw Numbers.  
 201501 to 201800 and 351501 to 351800 are Nut Numbers.  
 201801 to 202000 and 351801 to 352000 are Roller Numbers.  
 202001 to 350000 are Numbers of Machine Parts.

The figures in the second column refer only to the plate in which the illustration of the part is shown and are NOT TO BE USED in ordering.

Two or more numbers over a cut indicate that the difference between such parts is not visible in an illustration.

Parts marked with an asterisk (\*) are furnished when repairs are made at the factory.

## LIST OF PARTS COMPLETE FOR



MACHINE No. 107 w 15

LOCK STITCH.                      ZIGZAG.  
 PULLER FEED.                  FOOT LIFTER.

FOR BINDING WOOLEN BLANKETS  
 WITH SILK RIBBON

No.	Plate	Name
*224471	----	Arm with 202135
224425	16825	" Cap with two 244071
244071	16825	" " Oil Wick
200278H	16825	" " Screw
202248	16825	" " Washer
203089	16825	" " Spool Holder Base
203090	16825	" " " " " 203089 with 200079H and 204296
200585H	16825	Arm Cap Spool Holder Base Screw
204296	16825	" " " " Wire
200079H	16825	" " " " Hinge Screw
224426	16825	Arm Cap and Spool Holder complete, Nos. 203090, 224425 and two 200585H

No.	Plate	Name
204235	16850	Arm Position Pin (2)
200004E	16850	" Screw
200010E	16850	" " (2)
202005	16850	" " Washer (3)
202249	16825	" Shaft with 200357E and 224392
240802	16825	" " Bushing (back) with 202244
202244	16825	" " " " Oil Packing (wick)
200338C	16825	" " " " Set Screw
207080	16825	" " " (front) with 202244
202244	16825	" " " " Oil Packing (wick)
200502B	16825	" " " " " Thumb Screw
200341C	16825	Arm Shaft Bushing (front) Set Screw
210503	16850	" " Connection Belt
202635	16850	" " " " Pulley with 200327C, 200602E and two 202253
200602E	16850	Arm Shaft Connection Belt Pulley Position Screw
200327C	16850	Arm Shaft Connection Belt Pulley Set Screw
202253	16850	Arm Shaft Connection Belt Pulley Spring Flange
224392	16825	Arm Shaft Oil Packing (wick)
200357E	16825	" " " " Stop Screw
244074	16825	Balance Wheel (disc) V belt groove (outside diam. of belt groove 2.9 in.) with 201346C and 350107C
244063	16825	Balance Wheel (disc)(belt groove 2-1/8 in.diam.) with 200328C and 200335C
		Note: Balance Wheel 244063 is furnished with this machine unless otherwise specified on order
200328C	16825	Balance Wheel Position Screw
350107C	16825	" " " "
200335C	16825	" " Set Screw
201346C	16825	" " " "
*224472	-----	Bed
210505	16850	" Plate (back)
200577XC	16856	" " " Screw (2)
210616	16856	" Slide (front)
210530	16829	Bobbin
210846	16829	" Case Base
210729	16829	" " Cap with 200592C, 201016F and 210845
210915	16829	Bobbin Case Cap complete, Nos. 200964C, 210729, 210736 and 210914
210913	16829	Bobbin Case Latch
210914	16829	" " " 210913 with 210734 and 210735
210735	16829	Bobbin Case Latch Fulcrum Pin

No.	Plate	Name
210734	16829	Bobbin Case Latch Lever
210736	16829	" " " Spring
200964C	16829	" " " Stop Screw
210764	16827	" " Stop
200076D	16827	" " " Screw
210845	16829	" " Tension Spring
201016F	16829	" " " " Regulating Screw
200592C	16829	" " " " Screw
210847	16829	Bobbin Case complete, Nos. 210846 and 210915
259489	16860	Elbow Binder, for ribbon from 3 to 6 in. wide, in steps of 1/16 inch.
259490	16860	Elbow Binder Base Plate with 225706
200246B	16860	" " " " Hinge Screw
201525E	16860	" " " " " " Nut
225706	16860	" " " " Position Pin
225708	16860	" " " " Spring
259491	16860	Elbow Binder Base Plate complete, Nos. 200246B, 201525E, 203077, 225706, 259490, 259492 and two 200160B
259492	16860	Elbow Binder Bracket
200160B	16860	" " " Screw
203077	16860	" " " Washer
200187B	16860	" " Screw
226663	16860	" " Washer
259493	16860	Elbow Binder on Swing Base complete, Nos. 226663, 259489, 259491 and two 200187B
210681	16856	Face Plate
202135	16856	" " Position Pin
200462B	16856	" " Thumb Screw
210682	16856	Face Plate complete, Nos. 210681, 210684 and two 200137H
210512	16827	Feed Bar
210513	16827	" " 210512 with 200641C, 201522E and 202623
200641C	16827	Feed Bar Hinge Screw (driving)
201522E	16827	" " " " Nut
202276	16827	" " Slide Block
210514	16827	" " " Crank with 200035E
210515	16827	" " " " 210514 with 200253C, 201531E and 202276
200035E	16827	Feed Bar Slide Block Crank Pinch Screw
200253C	16827	" " " " Hinge Screw
201531E	16827	" " " " " " Nut
210516	16857	" Dog
200106E	16857	" " Screw(2)
202297	16850	" Driving Connection with 200054E and 202277
202624	16827	Feed Driving Connection Crank with 200036C

No.	Plate	Name
200038C	16827	Feed Driving Connection Crank Pinch Screw
200545C	16850	" " " Hinge Screw
201518E	16850	" " " " " Nut
202277	16850	" " " Oil Packing (wick)
200054E	16850	" " " Pinch Screw
224473	16850	" " Eccentric Regulating Bracket
224474	16850	" " " " "
		224473 with 202635, two each 201014C and 201525E
201014C	16850	Feed Driving Eccentric Regulating Bracket Hinge Screw
201525E	16850	Feed Driving Eccentric Regulating Bracket Hinge Screw Nut
202301	16850	Feed Driving Eccentric Regulating Bracket Plunger
237523	16850	Feed Driving Eccentric Regulating Bracket Plunger Spring
200607C	16850	Feed Driving Eccentric Regulating Bracket Plunger Spring Stop Screw
201014C	16850	Feed Driving Eccentric Regulating Bracket Stop Screw
201525E	16850	Feed Driving Eccentric Regulating Bracket Stop Screw Nut
200429C	16850	Feed Driving Eccentric Regulating Screw
200383C	16850	Feed Driving Eccentric Regulating Screw Check Screw
202623	16827	Feed Driving Rock Shaft
202625	16827	Feed Driving Rock Shaft Stop Collar with two 200383C (2)
200383C	16827	Feed Driving Rock Shaft Stop Collar Set Screw
202306	16850	Feed Lifting Connection with 200054E and 202277
*210645	-----	Feed Lifting Connection Crank
210589	16827	Feed Lifting Connection Crank 210645 with 200050C and 200378C
200050C	16827	Feed Lifting Connection Crank Pinch Screw
200378C	16827	Feed Lifting Connection Crank Set Screw
202307	16825	Feed Lifting Connection Eccentric with 200382C and 200437C
200437C	16825	Feed Lifting Connection Eccentric Position Screw
200382C	16825	Feed Lifting Connection Eccentric Set Screw
200545C	16850	Feed Lifting Connection Hinge Screw
201518E	16850	" " " " " Nut
202277	16850	" " " Oil Packing (wick)
200054E	16850	" " " Pinch Screw
210531	16827	" " Rock Shaft (hollow) and Hook Driving Shaft Bearing

No.	Plate	Name
202625	16827	Feed Lifting Rock Shaft Stop Collar with two 200383C
200383C	16827	Feed Lifting Rock Shaft Stop Collar Set Screw
202310	16825	Feed Regulating Spindle with 202311, 202443 and 202619
*202311	-----	Feed Regulating Spindle Head
202443	16825	" " " " " Pin
202619	16825	" " " " " Position Pin
224475	16856	Foot Lifter Lifting Lever
224476	16856	" " " " " Extension
200082D	16856	" " " " " " Screw(2)
200242H	16856	" " " " " Hinge Screw
224477	16856	" " " " " Rod with 202302
202302	16856	" " " " " " Cotter Pin
203058	16856	" " " " " " Coupling
		with 200530C
200530C	16856	Foot Lifter Lifting Lever Rod Coupling Set Screw
233361	16856	Foot Lifter Lifting Lever Spring
200273D	16856	" " " " " " Screw
233390	16856	" " " " " Washer
210532	-----	Hook (sewing)
210533	16829	" 210532 with 200145C, 203101, 210536, 210541 and three 200596F
210775	16829	Hook and Bobbin Case complete, Nos. 210533 and 210847
210614	16827	" Driving Bevel Pinion (steel), 24 teeth with two 200378C
200378C	16827	Hook Driving Bevel Pinion Set Screw
210535	16827	" " " " " Shaft
202661	16827	" " " " " " Belt
		Pulley with 202324 and two 200378C
200378C	16827	Hook Driving Bevel Pinion Shaft Belt Pulley Set Screw
202324	16827	Hook Driving Bevel Pinion Shaft Belt Pulley Spring Flange
210536	16829	Hook Gib
200596F	16829	" " " Screw
203101	16829	" Oil Wick
200915F	16827	" Position Screw
210537	16827	" Shaft (hollow)
210615	16827	" Shaft Bevel Gear (steel), 24 Teeth, with two 200382C
200382C	16827	Hook Shaft Bevel Gear Set Screw
210539	16827	" " " Bushing
210621	16827	" " " 210539 with 210537 and 350314F
200335C	16827	Hook Shaft Bushing Set Screw

No.	Plate	Name
200363C	16827	Hook Shaft Bushing Set Screw
202355	16827	" " " " " Packing (brass)
350314F	16827	Hook Shaft Position Screw
210541	16829	" Washer Needle Guard
200145C	16829	" " " " Screw
202976	16854	Needle Bar with 200141F
210543	16854	" " Connecting Link
202333	16854	" " " " Stud with 202254
202254	16854	" " " " " Oil Packing (wick)
200383C	16854	Needle Bar Connecting Link Stud Set Screw
200374C	16854	" " " " " " "
210544	16854	" " " Stud with 202277
210585	16854	" " " " 210544 with 210882
202277	16854	Needle Bar Connecting Stud Oil Packing (wick)
210882	16854	Needle Bar Connecting Stud Swivel with 200387C
210725	16854	Needle Bar Crank with 200335C, 200374C, 200383C, 200428C and 202333
203172	16854	Needle Bar Crank Friction Washer
200428C	16854	" " " Position Screw
200335C	16854	" " " Set Screw
210883	16854	Needle Bar Crank complete, Nos. 202399, 202400, 210543, 210585, 210725 and 244059
210546	16854	Needle Bar Frame with 200070C
210542	16854	" " " 210546 with 202976
210547	16854	" " " Guide Stud
200334C	16854	" " " " Set Screw
210548	16854	" " " Hinge Stud
200334C	16854	" " " " Set Screw
210556	16828	" " " Pitman with 200054E and 202277
210557	16828	Needle Bar Frame Pitman Eccentric Stud
200070C	16854	" " " " " " " Set Screw
202277	16828	Needle Bar Frame Pitman Oil Packing (wick)
200054E	16828	" " " " Pinch Screw
200387C	16854	" " Set Screw
200141F	16854	" Set Screw
202300	16828	" Vibrator Eccentric Regulating Bracket
210550	16828	Needle Vibrator Eccentric Regulating Bracket 202300 with 210552, two each 200256C and 201525E
210551	16828	Needle Vibrator Eccentric Regulating Bracket Cover (plate)

No.	Plate	Name
200566D	16828	Needle Vibrator Eccentric Regulating Bracket Cover Screw (4)
210552	16828	Needle Vibrator Eccentric Regulating Bracket Flange with two 200383C
200383C	16828	Needle Vibrator Eccentric Regulating Bracket Flange Screw
200256C	16828	Needle Vibrator Eccentric Regulating Bracket Hinge Screw
201525E	16828	Needle Vibrator Eccentric Regulating Bracket Hinge Screw Nut
202301	16828	Needle Vibrator Eccentric Regulating Bracket Plunger
202595	16828	Needle Vibrator Eccentric Regulating Bracket Plunger Spring
200607C	16828	Needle Vibrator Eccentric Regulating Bracket Plunger Spring Stop Screw
200256C	16828	Needle Vibrator Eccentric Regulating Bracket Stop Screw
201525E	16828	Needle Vibrator Eccentric Regulating Bracket Stop Screw Nut
210699	16828	Needle Vibrator Gear (spiral) with two 200382C
203172	16828	Needle Vibrator Gear Friction Washer
200382C	16828	Needle Vibrator Gear Set Screw
210558	16828	" " " Shaft
210559	16828	" " " " Collar with two 200378C
200378C	16828	Needle Vibrator Gear Shaft Collar Set Screw
210700	16825	Needle Vibrator Pinion (spiral) with two 200382C
200382C	16825	Needle Vibrator Pinion Set Screw
200429C	16828	" " Regulating Screw
200383C	16828	" " " " Check Screw
210553	16828	Needle Vibrator Regulating Spindle with 202583, 202619 and 210554
*202583	-----	Needle Vibrator Regulating Spindle Head
202619	16828	" " " " " Position Pin
210554	16828	Needle Vibrator Regulating Spindle Spring (flat)
244033	16855	Presser Bar, (hollow)
202335	16855	" " 244033 with 200074F
207072	16855	" " Bushing (lower)
224478	16855	" " " (upper)
200352C	16855	" " " Set Screw



## PARTS FOR MACHINE No. 107w15

No.	Plate	Name
237004	16855	Presser Bar Lifter
200653C	16855	" " " Hinge Screw
210789	16855	" " " Lifting Releasing Lever Bracket
200260D	16855	Presser Bar Lifting Releasing Lever Bracket Guide Screw
206608	16855	Presser Bar Lifting Releasing Lever Bracket Spring
202337	16855	Presser Bar Position Guide
202338	16855	" " " " Lever with 200086F
200086F	16855	Presser Bar Position Guide Lever Pinch Screw
200352C	16855	Presser Bar Position Guide Set Screw
202343	16855	Presser Bar Spring
236106	16855	" " " Stop Rod
201497E	16855	" " " Thumb Screw (pressure reg- ulating)
224479	16857	Presser Foot
200074F	16855	" " " Screw
237005	16852	Puller Feed Clutch Case with 200341C and 200347C
200341C	16852	Puller Feed Clutch Case Position Screw
200347C	16852	Puller Feed Clutch Case Set Screw
224480	16851	" " " Driving Connection
200919C	16851	" " " " "
		Hinge Screw
201522E	16851	Puller Feed Clutch Driving Connection Hinge Screw Nut
237007	16851	Puller Feed Clutch Driving Crank with 200035E
201201F	16851	Puller Feed Clutch Driving Crank Hinge Screw
1518E	16851	Puller Feed Clutch Driving Crank Hinge Screw Nut
225585	16851	Puller Feed Clutch Driving Crank Hinge Screw Washer
200035E	16851	Puller Feed Clutch Driving Crank Pinch Screw
224481	16852	Puller Feed Clutch Driving Flange with two 237015
237015	16852	Puller Feed Clutch Driving Flange Pin
237009	16852	" " " Friction Spring
201456C	16852	" " " " Ad- justing Screw
201525E	16852	Puller Feed Clutch Friction Spring Ad- justing Screw Nut
203349	16852	Puller Feed Clutch Friction Spring Ad- justing Screw Washer (2)

## PARTS FOR MACHINE No. 107w15

No.	Plate	Name
237010	16852	Puller Feed Clutch Retaining Flange with 201457C and two 237015
237015	16852	Puller Feed Clutch Retaining Flange Pin
201457C	16852	" " " " " Screw Stud
200337C	16851	Puller Feed Clutch Retaining Flange Screw Stud Set Screw
201531E	16851	Puller Feed Clutch Retaining Flange Screw Stud Set Screw Nut
237011	16852	Puller Feed Clutch Roller
237012	16852	" " " " " Cam
237015	16852	" " " " " Position Pin
200106E	16852	" " " " " Screw
237013	16852	" " " " " Carrier with 237015
237014	16852	Puller Feed Clutch Roller Carrier Spring
237015	16852	" " " " " " Pin
224482	16852	Puller Feed Clutch complete, Nos. 224481, 237005, 237010, two each 237012 to 237014, six 200106E and ten 237011
237016	16851	Puller Feed Cover Plate
200570E	16851	" " " " " Screw (2)
237038	16851	" " " " " Roll (lower) (rubber faced) with 200374C and 200396C
200396C	16851	Puller Feed Roll (lower) Position Screw
200374C	16851	" " " " " Set Screw
237018	16851	" " " " " Shaft
237019	16851	" " " " " " Bracket (2)
200030H	16851	" " " " " " " " Screw (4)
205797	16851	Puller Feed Roll (lower) Shaft Collar with 200386C
200386C	16851	Puller Feed Roll (lower) Shaft Collar Set Screw
224483	16853	Puller Feed Roll (upper) (rubber faced)
237021	16853	" " " " " Bar
236111	16853	" " " " " " Bracket with 200347C, 200352C and 237015
200256D	16853	Puller Feed Roll (upper) Bar Bracket Screw
200352C	16853	" " " " " " " " Set Screw
237023	16853	Puller Feed Roll (upper) Bar Bracket Support with 200054E
200054E	16853	Puller Feed Roll (upper) Bar Bracket Support Pinch Screw
237037	16853	Puller Feed Roll (upper) Bar Lifter
200550C	16853	" " " " " " " " Hinge Screw
237015	16853	Puller Feed Roll (upper) Bar Lifter Stop Pin

No.	Plate	Name
224484	16853	Puller Feed Roll (upper) Bar Lifting Bracket with 200958C
200958C	16853	Puller Feed Roll (upper) Bar Lifting Bracket Set Screw
236112	16853	Puller Feed Roll (upper) Bar Position Guide
200347C	16853	Puller Feed Roll (upper) Bar Position Guide Set Screw
236113	16853	Puller Feed Roll (upper) Bar Position Lever with 200054E
200054E	16853	Puller Feed Roll (upper) Bar Position Lever Pinch Screw
237026	16853	Puller Feed Roll (upper) Bar Spring
237027	16853	" " " " " Washer
201458D	16853	" " " " " Thumb Screw
237028	16853	" " " " " Bracket with 200374C, 200378C and 200396C
200396C	16853	Puller Feed Roll (upper) Bracket Position Screw
200374C	16853	Puller Feed Roll (upper) Bracket Set Screw
237029	16853	Puller Feed Roll (upper) Hinge Stud
200378C	16853	" " " " " Set Screw
210591	16854	Take-up (auxiliary), for Swivel
200132E	16854	" " " " " Screw
244059	16854	" " " " " Lever
202399	16854	" " " " " Driving Stud with 202277
202277	16854	" " " " " Oil Packing (wick)
202400	16854	Take-up Lever Hinge Stud with 202423
202423	16854	" " " " " Oil Packing (wick)
200383C	16854	Take-up Lever Hinge Stud Set Screw
202401	16855	" " " " " Oiling Felt
200132E	16855	" " " " " Screw
244048	16832	Tension Disc (back)
244049	16832	" " " " " (front)
202404	16855	" " " " " Release Plunger
244061	16832	" " " " " Washer
202407	16832	" " " " " Spring
263106	16832	" " " " " Washer
200625F	16832	" " " " " Stud with 204925
200061C	16832	" " " " " Set Screw
204925	16832	" " " " " Washer
201572B	16832	" " " " " Thumb Nut
244062	16832	Tension complete, Nos. 200625F, 201572B, 202407, 202410, 244048, 244049, 244061 and 263106

No.	Plate	Name
202410	16832	Thread Controller Spring
202411	16832	" " " " " Stop
200132E	16832	" " " " " Screw
210593	16832	" " " " " Guide (lower)
224387	16854	" " " " " "
200172H	16854	" " " " " Screw
210595	16832	" " " " " (on side of arm)
202412	16825	" " " " " (on top of arm)
210592	16832	" " " " " (upper)
200582H	16832	" " " " " Screw (2)
210683	16856	" " " " " Retainer Bracket with 200397H
200137H	16856	" " " " " Screw
210684	16856	Thread Retainer Bracket complete, Nos. 210683, 210957, 210958, 210992 and 210993
202091	16832	Thread Retainer Sleeve
210993	16856	" " " " " "
202092	16832	" " " " " Spring
210992	16856	" " " " " "
204058	16832	" " " " " Stud
210957	16856	" " " " " "
210958	16856	" " " " " Collar
200366H	16832	" " " " " Set Screw
200397H	16856	" " " " " "
204059	16832	Thread Retainer complete, Nos. 202091, 202092 and 204058
224485	16857	Throat Plate, 53 needle hole, for needle sizes 12 and 13
200577XC	16857	Throat Plate Screw (2)

## ACCESSORIES

No.	Plate	Name
200157B	16856	Attachment Screw
228389	16859	Base (wood) with two each 225589, 227369, three each 228390, wood screws 1 in. No.9 and six wood screws 3/4 in. No.9
228390	16859	Base Fastening Angle Piece
210530	16829	Bobbin (5)
*225482	-----	Bobbin Case Screw Driver Blade
*225483	-----	" " " " Handle
225497	16858	" " " " complete, Nos. 225482 and 225483
228391	16859	Drip Pan with four wood screws 1/2 in. No.5, R.H.B.
227369	16859	Machiné Hinge Plate (left or right) with two wood screws 1-1/4 in. No.14
225589	16859	Machine Rest or Cushion (leather)
41564	16858	" " Pin
135 X 7	16854	Needles, six, size 16
120342	16858	Oilier (copper plated) with 120343
120343	16858	" Spout, 3-1/2 in. long
225498	16858	Screw Driver (7-1/4 in. long)
225554	16858	Wrench (steel)

## BOBBIN WINDER

(SWINGING AUTOMATIC, RIGHT HAND)

259428	16615	Brake (leather)
259429	16615	" Clamp
200113F	16615	" " Screw
225453	16615	Frame with 202277 and 225438
225454	16615	" Hinge Pin
202277	16615	" Oil Packing (wick)
225438	16615	" " Well Cap
225455	16615	" Spring
225456	16615	" " Plunger
225368	16615	Pulley with 200380C
200380C	16615	" Set Screw
225381	16615	Spindle
225444	16615	Stop Latch
200056E	16615	" " Screw
225458	16615	" " Thumb Lever
225459	16615	" " " " Hinge Stud

No.	Plate	Name
225459	16615	Stop Latch Thumb Lever Joint Stud
202478	16615	" " Trip Lever
200299H	16615	" " " " Hinge Screw
225461	16615	Tension Bracket with 201499B
200082D	16615	" " Screw
228026	16615	" " " Washer
2102	16615	" Disc
13710	16615	" Spring
201499B	16615	" Stud
201572B	16615	" " Thumb Nut
225462	16615	Bobbin Winder Tension Bracket complete, Nos. 13710, 201572B, 225461 and two 2102
259430	16615	Bobbin Winder and Tension Bracket Base
259431	16615	Universal Bobbin Winder complete, Nos. 200056E, 200082D, 200113F, 200299H, 202478, 225368, 225381, 225444, 225453 to 225456, 225458, 225462, 228026, 259428 to 259430, two each 225459 and wood screws 3/4 in. No.12, R.H.B.

## FOOT LIFTER

227952	16862	Foot Lifter Lever (left or right) with 227954
227678	16862	Foot Lifter Lever Chain, 48 in. long, with 202784
227954	16862	Foot Lifter Lever Chain Hook (lower)
202784	16862	Foot Lifter Lever Chain Hook (upper)
225016	16862	Foot Lifter Lever Hinge Pin
227953	16862	Foot Lifter Lever Stand with two wood screws 1 in., No.12
227955	16862	Foot Lifter Lever (left or right) complete Nos. 225016, 227678, 227952 and 227953 (Other Foot Lifter parts are listed with parts of machine head)

## RIBBON LEADER

No.	Plate	Name
259494	16860	Ribbon Leader with 200838E
259495	16860	" " Bracket
200184B	16860	" " Screw
259496	16860	" " Tension Adjusting Slide with 200465F and 201601C
200465F	16860	Ribbon Leader Tension Adjusting Slide Ad- justing Thumb Screw
201601C	16860	Ribbon Leader Tension Adjusting Slide Ad- justing Thumb Screw Lock Nut
201557B	16860	Ribbon Leader Tension Adjusting Slide Thumb Nut
200838E	16860	Ribbon Leader Tension Adjusting Slide Thumb Nut Screw Stud
259497	16860	Ribbon Leader complete, Nos. 200184B, 201557B 259494 to 259496 and two wood screws 3/4 in., No. 9, R. H. B.

## RIBBON REEL

259498	16861	Ribbon Reel Adjusting Collar with 200119D
200119D	16861	" " " " Set Screw
226199	16861	" " Disc (6 in. diam.) with 225980
226198	16861	" " " (9 in. diam.) with 225980
225980	16861	" " " Base
259499	16861	" " Spindle
259500	16861	" " " Base with 200382C and three wood screws 1 in., No. 10, F. H. B.
200382C	16861	Ribbon Reel Spindle Set Screw
227116	16861	" " Tension Collar
227210	16861	" " " " 227116 with 200731E and 227327
200731E	16861	Ribbon Reel Tension Collar Wing Screw
227327	16861	" " " Spring
259501	16861	" " complete (for bench) Nos. 226198, 226199, 227210 and 259498 to 259500

NUMERICAL  
LIST  
OF PARTS

## NUMERICAL LIST OF PARTS

---

No.	Plate	Name
1518E	16851	Puller Feed Clutch Driving Crank Hinge Screw Nut
2102	16615	Bobbin Winder Tension Disc,for 225462
13710	16615	Bobbin Winder Tension Spring,for 225462
41564	16858	Machine Rest Pin
120342	16858	Oiler (copper plated) with 120343
120343	16858	Oiler Spout, 3-1/2 in. long,for 120342
200004E	16850	Arm Screw
200010E	16850	" "
200030H	16851	Puller Feed Roll (lower) Shaft Bracket Screw
200035E	16827	Feed Bar Slide Block Crank Pinch Screw, for 210514
200035E	16851	Puller Feed Clutch Driving Crank Pinch Screw,for 237007
200038C	16827	Feed Driving Connection Crank Pinch Screw for 202624
200050C	16827	Feed Lifting Connection Crank Pinch Screw for 210589
200054E	16850	Feed Driving Connection Pinch Screw,for 202297
200054E	16850	Feed Lifting Connection Pinch Screw,for 202306
200054E	16828	Needle Bar Frame Pitman Pinch Screw,for 210556
200054E	16853	Puller Feed Roll (upper) Bar Bracket Support Pinch Screw,for 237023
200054E	16853	Puller Feed Roll (upper) Bar Position Lever Pinch Screw,for 236113
200056E	16615	Bobbin Winder Stop Latch Screw,for 259431
200061C	16832	Tension Stud Set Screw
200070C	16854	Needle Bar Frame Pitman Eccentric Stud Set Screw,for 210546
200074F	16855	Presser Foot Screw,for 202335
200076D	16827	Bobbin Case Stop Screw
200079H	16825	Arm Cap Spool Holder Wire Hinge Screw,for 203090
200082D	16615	Bobbin Winder Tension Bracket Screw,for 259431
200082D	16856	Foot Lifter Lifting Lever Extension Screw
200086F	16855	Presser Bar Position Guide Lever Pinch Screw,for 202338
200106E	16857	Feed Dog Screw

No.	Plate	Name
200106E	16852	Puller Feed Clutch Roller Cam Screw, for 224482
200113F	16615	Bobbin Winder Brake Clamp Screw, for 259431
200119D	16861	Ribbon Reel Adjusting Collar Set Screw, for 259498
200132E	16854	Take-up (auxiliary) Screw
200132E	16855	Take-up Lever Oiling Felt Screw
200132E	16832	Thread Controller Spring Stop Screw
200137H	16856	" Retainer Bracket Screw, for 210682
200141F	16854	Needle Set Screw, for 202976
200145C	16829	Hook Washer Needle Guard Screw, for 210533
200157B	16856	Attachment Screw
200160B	16860	Elbow Binder Bracket Screw, for 259491
200172H	16854	Thread Guide Screw
200184B	16860	Ribbon Leader Screw, for 259497
200187B	16860	Elbow Binder Screw, for 259493
200242H	16856	Foot Lifter Lifting Lever Hinge Screw
200246B	16860	Elbow Binder Base Plate Hinge Screw, for 259491
200253C	16827	Feed Bar Slide Block Hinge Screw, for 210515
200256C	16828	Needle Vibrator Eccentric Regulating Bracket Hinge Screw, for 210550
200256C	16828	Needle Vibrator Eccentric Regulating Bracket Stop Screw, for 210550
200256D	16853	Puller Feed Roll (upper) Bar Bracket Screw
200260D	16855	Presser Bar Lifting Releasing Lever Bracket Guide Screw
200273D	16856	Foot Lifter Lifting Lever Spring Screw
200278H	16825	Arm Cap Screw
200299H	16615	Bobbin Winder Stop Latch Trip Lever Hinge Screw, for 259431
200327C	16850	Arm Shaft Connection Belt Pulley Set Screw for 202635
200328C	16825	Balance Wheel Position Screw, for 244063
200334C	16854	Needle Bar Frame Guide Stud Set Screw
200334C	16854	" " " Hinge Stud Set Screw
200335C	16825	Balance Wheel Set Screw, for 244063
200335C	16827	Hook Shaft Bushing Set Screw
200335C	16854	Needle Bar Crank Set Screw, for 210725
200337C	16851	Puller Feed Clutch Retaining Flange Screw Stud Set Screw
200338C	16825	Arm Shaft Bushing (back) Set Screw
200341C	16825	Arm Shaft Bushing (front) Set Screw
200341C	16852	Puller Feed Clutch Case Position Screw, for 237005
200347C	16852	Puller Feed Clutch Case Set Screw, for 237005

No.	Plate	Name
200347C	16853	Puller Feed Roll (upper) Bar Position Guide Set Screw, for 236111
200352C	16855	Presser Bar Bushing Set Screw
200352C	16855	Presser Bar Position Guide Set Screw
200352C	16853	Puller Feed Roll (upper) Bar Bracket Set Screw, for 236111
200357E	16825	Arm Shaft Oil Packing Stop Screw, for 202249
200363C	16827	Hook Shaft Bushing Set Screw
200366H	16832	Thread Retainer Stud Set Screw
200374C	16854	Needle Bar Connecting Link Stud Set Screw for 210725
200374C	16851	Puller Feed Roll (lower) Set Screw, for 237038
200374C	16853	Puller Feed Roll (upper) Bracket Set Screw, for 237028
200378C	16827	Feed Lifting Connection Crank Set Screw, for 210589
200378C	16827	Hook Driving Bevel Pinion Set Screw, for 210614
200378C	16827	Hook Driving Bevel Pinion Shaft Belt Pulley Set Screw, for 202661
200378C	16828	Needle Vibrator Gear Shaft Collar Set Screw, for 210559
200378C	16853	Puller Feed Roll (upper) Hinge Stud Set Screw, for 237028
200380C	16615	Bobbin Winder Pulley Set Screw, for 225368
200382C	16825	Feed Lifting Connection Eccentric Set Screw, for 202307
200382C	16827	Hook Shaft Bevel Gear Set Screw, for 210615
200382C	16828	Needle Vibrator Gear Set Screw, for 210699
200382C	16825	Needle Vibrator Pinion Set Screw, for 210700
200382C	16861	Ribbon Reel Spindle Set Screw, for 259500
200383C	16850	Feed Driving Eccentric Regulating Screw Check Screw
200383C	16827	Feed Driving Rock Shaft Stop Collar Set Screw, for 202625
200383C	16827	Feed Lifting Rock Shaft Stop Collar Set Screw, for 202625
200383C	16854	Needle Bar Connecting Link Stud Set Screw for 210725
200383C	16828	Needle Vibrator Eccentric Regulating Bracket Flange Screw, for 210552
200383C	16828	Needle Vibrator Regulating Screw Check Screw
200383C	16854	Take-up Lever Hinge Stud Set Screw

No.	Plate	Name
200386C	16851	Puller Feed Roll (lower) Shaft Coller Set Screw, for 205797
200387C	16854	Needle Bar Set Screw, for 210882
200396C	16851	Puller Feed Roll (lower) Position Screw, for 237038
200396C	16853	Puller Feed Roll (upper) Bracket Position Screw, for 237028
200397H	16856	Thread Retainer Stud Set Screw, for 210683
200428C	16854	Needle Bar Crank Position Screw, for 210725
200429C	16850	Feed Driving Eccentric Regulating Screw
200429C	16828	Needle Vibrator Regulating Screw
200437C	16825	Feed Lifting Connection Eccentric Position Screw, for 202307
200462B	16856	Face Plate Thumb Screw
200465F	16860	Ribbon Leader Tension Adjusting Slide Adjusting Thumb Screw, for 259496
200502B	16825	Arm Shaft Bushing (front) Oil Packing Thumb Screw
200530C	16856	Foot Lifter Lifting Lever Rod Coupling Set Screw, for 203058
200545C	16850	Feed Driving Connection Hinge Screw
200545C	16850	Feed Lifting Connection Hinge Screw
200550C	16853	Puller Feed Roll (upper) Bar Lifter Hinge Screw
200566D	16828	Needle Vibrator Eccentric Regulating Bracket Cover Screw
200570E	16851	Puller Feed Cover Plate Screw
200577XC	16856	Bed Plate (back) Screw
200577XC	16857	Throat Plate Screw
200582H	16832	Thread Guide Screw
200585H	16825	Arm Cap Spool Holder Base Screw, for 224426
200592C	16829	Bobbin Case Tension Spring Screw, for 210729
200596F	16829	Hook Gib Screw, for 210533
200602E	16850	Arm Shaft Connection Belt Pulley Position Screw, for 202635
200607C	16850	Feed Driving Eccentric Regulating Bracket Plunger Spring Stop Screw
200607C	16828	Needle Vibrator Eccentric Regulating Bracket Plunger Spring Stop Screw
200625F	16832	Tension Stud with 204925, for 244062
200641C	16827	Feed Bar Hinge Screw (driving), for 210513
200653C	16855	Presser Bar Lifter Hinge Screw
200731E	16861	Ribbon Reel Tension Collar Wing Screw, for 227210
200838E	16860	Ribbon Leader Tension Adjusting Slide Thumb Nut Screw Stud, for 259494
200915F	16827	Hook Position Screw

No.	Plate	Name
200919C	16851	Puller Feed Clutch Driving Connection Hinge Screw
200958C	16853	Puller Feed Roll (upper) Bar Lifting Bracket Set Screw, for 224484
200964C	16829	Bobbin Case Latch Stop Screw, for 210915
201014C	16850	Feed Driving Eccentric Regulating Bracket Hinge Screw, for 224474
201014C	16850	Feed Driving Eccentric Regulating Bracket Stop Screw, for 224474
201016F	16829	Bobbin Case Tension Spring Regulating Screw, for 210729
201201F	16851	Puller Feed Clutch Driving Crank Hinge Screw
201346C	16825	Balance Wheel Set Screw, for 244074
201456C	16852	Puller Feed Clutch Friction Spring Adjusting Screw
201457C	16852	Puller Feed Clutch Retaining Flange Screw Stud, for 237010
201458D	16853	Puller Feed Roll (upper) Bar Thumb Screw
201497E	16855	Presser Bar Thumb Screw (pressure regulating)
201499B	16615	Bobbin Winder Tension Stud, for 225461
201518E	16850	Feed Driving Connection Hinge Screw Nut
201518E	16850	Feed Lifting Connection Hinge Screw Nut
201522E	16827	Feed Bar Hinge Screw Nut, for 210513
201522E	16851	Puller Feed Clutch Driving Connection Hinge Screw Nut
201525E	16860	Elbow Binder Base Plate Hinge Screw Nut, for 259491
201525E	16850	Feed Driving Eccentric Regulating Bracket Hinge Screw Nut, for 224474
201525E	16850	Feed Driving Eccentric Regulating Bracket Stop Screw Nut, for 224474
201525E	16828	Needle Vibrator Eccentric Regulating Bracket Hinge Screw Nut, for 210550
201525E	16828	Needle Vibrator Eccentric Regulating Bracket Stop Screw Nut, for 210550
201525E	16852	Puller Feed Clutch Friction Spring Adjusting Screw Nut
201531E	16827	Feed Bar Slide Block Hinge Screw Nut, for 210515
201531E	16851	Puller Feed Clutch Retaining Flange Screw Stud Set Screw Nut
201557B	16860	Ribbon Leader Tension Adjusting Slide Thumb Nut, for 259497
201572B	16615	Bobbin Winder Tension Stud Thumb Nut, for 225462
201572B	16832	Tension Thumb Nut, for 244062

## NUMERICAL LIST OF PARTS

No.	Plate	Name
201601C	16860	Ribbon Leader Tension Adjusting Slide Adjusting Thumb Screw Lock Nut, for 259496
202005	16850	Arm Screw Washer
202091	16832	Thread Retainer Sleeve, for 204059
202092	16832	Thread Retainer Spring, for 204059
202135	16856	Face Plate Position Pin, for 224471
202244	16825	Arm Shaft Bushing (back) Oil Packing (wick), for 240802
202244	16825	Arm Shaft Bushing (front) Oil Packing (wick), for 207080
202248	16825	Arm Cap Screw Washer
202249	16825	Arm Shaft with 200357E and 224392
202253	16850	Arm Shaft Connection Belt Pulley Spring Flange, for 202635
202254	16854	Needle Bar Connecting Link Stud Oil Packing (wick), for 202333
202276	16827	Feed Bar Slide Block, for 210515
202277	16615	Bobbin Winder Frame Oil Packing (wick), for 225453
202277	16850	Feed Driving Connection Oil Packing (wick) for 202297
202277	16850	Feed Lifting Connection Oil Packing (wick) for 202306
202277	16854	Needle Bar Connecting Stud Oil Packing (wick), for 210544
202277	16828	Needle Bar Frame Pitman Oil Packing (wick) for 210556
202277	16854	Take-up Lever Driving Stud Oil Packing (wick), for 202399
202297	16850	Feed Driving Connection with 200054E and 202277
202300	16828	Needle Vibrator Eccentric Regulating Bracket, for 210550
202301	16850	Feed Driving Eccentric Regulating Bracket Plunger
202301	16828	Needle Vibrator Eccentric Regulating Bracket Plunger
202302	16856	Foot Lifter Lifting Lever Rod Cotter Pin for 224477
202306	16850	Feed Lifting Connection with 200054E and 202277
202307	16825	Feed Lifting Connection Eccentric with 200382C and 200437C
202310	16825	Feed Regulating Spindle with 202311, 202443 and 202619
*202311	-----	Feed Regulating Spindle Head, for 202310
202324	16827	Hook Driving Bevel Pinion Shaft Belt Pulley Spring Flange, for 202661

## NUMERICAL LIST OF PARTS

No.	Plate	Name
202333	16854	Needle Bar Connecting Link Stud with 202254, for 210725
202335	16855	Presser Bar 244033 with 200074F
202337	16855	Presser Bar Position Guide
202338	16855	Presser Bar Position Guide Lever with 200086F
202343	16855	Presser Bar Spring
202355	16827	Hook Shaft Bushing Set Screw Packing (brass)
202399	16854	Take-up Lever Driving Stud with 202277, for 210883
202400	16854	Take-up Lever Hinge Stud with 202423, for 210883
202401	16855	Take-up Lever Oiling Felt
202404	16855	Tension Release Plunger
202407	16832	Tension Spring, for 244062
202410	16832	Thread Controller Spring, for 244062
202411	16832	Thread Controller Spring Stop
202412	16825	Thread Guide (on top of arm)
202423	16854	Take-up Lever Hinge Stud Oil Packing (wick), for 202400
202443	16825	Feed Regulating Spindle Head Pin, for 202310
202478	16615	Bobbin Winder Stop Latch Trip Lever, for 259431
*202583	-----	Needle Vibrator Regulating Spindle Head, for 210553
202595	16828	Needle Vibrator Eccentric Regulating Bracket Plunger Spring
202619	16825	Feed Regulating Spindle Head Position Pin for 202310
202619	16828	Needle Vibrator Regulating Spindle Head Position Pin, for 210553
202623	16827	Feed Driving Rock Shaft, for 210513
202624	16827	Feed Driving Connection Crank with 200038C
202625	16827	Feed Driving Rock Shaft Stop Collar with two 200383C
202625	16827	Feed Lifting Rock Shaft Stop Collar with two 200383C
202635	16850	Arm Shaft Connection Belt Pulley with 200327C, 200602E and two 202253, for 224474
202661	16827	Hook Driving Bevel Pinion Shaft Belt Pulley with 202324 and two 200378C
202784	16862	Foot Lifter Lever Chain Hook (upper), for 227678
202976	16854	Needle Bar with 200141F, for 210542



## NUMERICAL LIST OF PARTS

No.	Plate	Name
203058	16856	Foot Lifter Lifting Lever Rod Coupling with 200530C
203077	16860	Elbow Binder Bracket Screw Washer, for 259491
203089	16825	Arm Cap Spool Holder Base, for 203090
203090	16825	Arm Cap Spool Holder Base 203089 with 200079H and 204296, for 224426
203101	16829	Hook Oil Wick, for 210533
203172	16854	Needle Bar Crank Friction Washer
203172	16828	Needle Vibrator Gear Friction Washer
203349	16852	Puller Feed Clutch Friction Spring Adjusting Screw Washer
204058	16832	Thread Retainer Stud, for 204059
204059	16832	Thread Retainer complete, Nos. 202091, 202092 and 204058
204235	16850	Arm Position Pin
204296	16825	Arm Cap Spool Holder Wire, for 203090
204925	16832	Tension Stud Washer, for 200625F
205797	16851	Puller Feed Roll (lower) Shaft Collar with 200386C
206608	16855	Presser Bar Lifting Releasing Lever Bracket Spring
207072	16855	Presser Bar Bushing (lower)
207080	16825	Arm Shaft Bushing (front) with 202244
210503	16850	Arm Shaft Connection Belt
210505	16856	Bed Plate (back)
210512	16827	Feed Bar, for 210513
210513	16827	Feed Bar 210512 with 200641C, 201522E and 202623
210514	16827	Feed Bar Slide Block Crank with 200035E, for 210515
210515	16827	Feed Bar Slide Block Crank 210514 with 200253C, 201531E and 202276
210516	16857	Feed Dog
210530	16829	Bobbin
210531	16827	Feed Lifting Rock Shaft (hollow) and Hook Driving Shaft Bearing
210532	----	Hook (sewing), for 210533
210533	16829	Hook 210532 with 200145C, 203101, 210536, 210541 and three 200596F, for 210775
210535	16827	Hook Driving Bevel Pinion Shaft
210536	16829	Hook Gib, for 210533
210537	16827	Hook Shaft (hollow), for 210621
210539	16827	Hook Shaft Bushing, for 210621
210541	16829	Hook Washer Needle Guard, for 210533
210542	16854	Needle Bar Frame 210546 with 202976
210543	16854	Needle Bar Connecting Link, for 210883

## NUMERICAL LIST OF PARTS

No.	Plate	Name
210544	16854	Needle Bar Connecting Stud with 202277, for 210585
210546	16854	Needle Bar Frame with 200070C, for 210542
210547	16854	" " " Guide Stud
210548	16854	" " " Hinge "
210550	16828	" Vibrator Eccentric Regulating Bracket 202300 with 210552, two each 200256C and 201525E
210551	16828	Needle Vibrator Eccentric Regulating Bracket Cover (plate)
210552	16828	Needle Vibrator Eccentric Regulating Bracket Flange with two 200383C, for 210550
210553	16828	Needle Vibrator Regulating Spindle with 202583, 202619 and 210554
210554	16828	Needle Vibrator Regulating Spindle Spring (flat), for 210553
210556	16828	Needle Bar Frame Pitman with 200054E and 202277
210557	16828	Needle Bar Frame Pitman Eccentric Stud
210558	16828	" Vibrator Gear Shaft
210559	16828	" " " " Collar with two 200378C
210585	16854	Needle Bar Connecting Stud 210544 with 210882, for 210883
210589	16827	Feed Lifting Connection Crank 210645 with 200050C and 200378C
210591	16854	Take-up (auxiliary), for Swivel
210592	16832	Thread Guide (upper)
210593	16832	Thread Guide (lower)
210595	16832	Thread Guide (on side of arm)
210614	16827	Hook Driving Bevel Pinion (steel), 24 teeth with two 200378C
210615	16827	Hook Shaft Bevel Gear (steel), 24 teeth, with two 200382C
210616	16856	Bed Slide (front)
210621	16827	Hook Shaft Bushing 210539 with 210537 and 350314F
*210645	----	Feed Lifting Connection Crank, for 210589
210681	16856	Face Plate, for 210682
210682	16856	Face Plate complete, Nos. 210681, 210684 and two 200137H
210683	16856	Thread Retainer Bracket with 200397H, for 210684
210684	16856	Thread Retainer Bracket complete, Nos. 210683, 210957, 210958, 210992 and 210993 for 210682
210699	16828	Needle vibrator Gear (spiral) with two 200382C

No.	Plate	Name
210700	16825	Needle Vibrator Pinion (spiral) with two 200382C
210725	16854	Needle Bar Crank with 200335C, 200374C, 200383C, 200428C and 202333, for 210863
210729	16829	Bobbin Case Cap with 200592C, 201016F and 210845, for 210915
210734	16829	Bobbin Case Latch Lever, for 210914
210735	16829	Bobbin Case Latch Fulcrum Pin, for 210914
210736	16829	Bobbin Case Latch Spring, for 210915
210764	16827	Bobbin Case Stop
210775	16829	Hook and Bobbin Case complete, Nos. 210533 and 210847
210789	16855	Presser Bar Lifting Releasing Lever Bracket
210845	16829	Bobbin Case Tension Spring, for 210729
210846	16829	Bobbin Case Base, for 210847
210847	16829	Bobbin Case complete, Nos. 210846 and 210915, for 210775
210882	16854	Needle Bar Connecting Stud Swivel with 200387C, for 210585
210883	16854	Needle Bar Crank complete, Nos. 202399, 202400, 210543, 210585, 210725 and 244059
210913	16829	Bobbin Case Latch, for 210914
210914	16829	Bobbin Case Latch 210913 with 210734 and 210735, for 210915
210915	16829	Bobbin Case Cap complete, Nos. 200964C, 210729, 210736 and 210914, for 210847
210957	16856	Thread Retainer Stud, for 210684
210958	16856	Thread Retainer Stud Collar, for 210684
210992	16856	" " Spring, for 210684
210993	16856	" " Sleeve, for 210684
224387	16854	Thread Guide
224392	16825	Arm Shaft Oil Packing (wick), for 202249
224425	16825	" Cap with two 244071, for 224426
224426	16825	" " and Spool Holder complete, Nos. 203090, 224425 and two 200585H
*224471	-----	Arm with 202135
*224472	-----	Bed
224473	16850	Feed Driving Eccentric Regulating Bracket for 224474
224474	16850	Feed Driving Eccentric Regulating Bracket 224473 with 202635, two each 201014C and 201525E
224475	16856	Foot Lifter Lifting Lever
224476	16856	" " " " Extension
224477	16856	" " " " Rod with 202302
224478	16855	Presser Bar Bushing (upper)
224479	16857	Presser Foot
224480	16851	Fuller Feed Clutch Driving Connection

No.	Plate	Name
224481	16852	Fuller Feed Clutch Driving Flange with two 237015, for 224482
224482	16852	Fuller Feed Clutch complete, Nos. 224481, 237005, 237010, two each 237012 to 237014, six 200106E and ten 237011
224483	16853	Fuller Feed Roll (upper) (rubber faced)
224484	16853	Fuller Feed Roll (upper) Bar Lifting Bracket with 200958C
224485	16857	Throat Plate, 53 needle hole, for needle sizes 12 and 13
225016	16862	Foot Lifter Lever Hinge Pin, for 227955
225368	16615	Bobbin Winder Pulley with 200380C, for 259431
225381	16615	Bobbin Winder Spindle, for 259431
225438	16615	Bobbin Winder Frame Oil Well Cap, for 225453
225444	16615	Bobbin Winder Stop Latch, for 259431
225453	16615	Nos. 225453 to 225456, for 259431
225453	16615	Bobbin Winder Frame with 202277 and 225438
225454	16615	Bobbin Winder Frame Hinge Pin
225455	16615	Bobbin Winder Frame Spring
225456	16615	Bobbin Winder Frame Spring Plunger
225458	16615	Bobbin Winder Stop Latch Thumb Lever, for 259431
225459	16615	Bobbin Winder Stop Latch Thumb Lever Hinge Stud, for 259431
225459	16615	Bobbin Winder Stop Latch Thumb Lever Joint Stud, for 259431
225461	16615	Bobbin Winder Tension Bracket with 201499B, for 225462
225462	16615	Bobbin Winder Tension Bracket complete, Nos. 13710, 201572B, 225461 and two 2102, for 259431
*225482	-----	Bobbin Case Screw Driver Blade, for 225497
*225483	-----	Bobbin Case Screw Driver Handle, for 225497
225497	16858	Bobbin Case Screw Driver complete, Nos. 225482 and 225483
225498	16858	Screw Driver (7-1/4 in. long)
225554	16858	Wrench (steel)
225585	16851	Fuller Feed Clutch Driving Crank Hinge Screw Washer
225589	16859	Machine Rest or Cushion (leather), for 228389
225706	16860	Elbow Binder Base Plate Position Pin, for 259490
225708	16860	Elbow Binder Base Plate Spring, for 259491
225980	16861	Ribbon Reel Disc Base, for 226198 and 226199

No.	Plate	Name
226198	16861	Ribbon Reel Disc (9 in. diam.) with 225980, for 259501
226199	16861	Ribbon Reel Disc (6 in. diam.) with 225980, for 259501
226663	16860	Elbow Binder Screw Washer, for 259493
227116	16861	Ribbon Reel Tension Collar, for 227210
227210	16861	Ribbon Reel Tension Collar 227116 with 200731E and 227327, for 259501
227327	16861	Ribbon Reel Tension Spring, for 227210
227369	16859	Machine Hinge Plate (left or right) with two wood screws 1-1/4 in. No.14, for 228389
227678	16862	Foot Lifter Lever Chain, 48 in. long with 202784, for 227955
227952	16862	Foot Lifter Lever (left or right) with 227954, for 227955
227953	16862	Foot Lifter Lever Stand with two wood screws 1 in., No.12, for 227955
227954	16862	Foot Lifter Lever Chain Hook (lower), for 227952
227955	16862	Foot Lifter Lever (left or right), complete, Nos. 225016, 227678, 227952 and 227953
228026	16615	Bobbin Winder Tension Bracket Screw Washer, for 259431
228389	16859	Base (wood) with two each 225589, 227369 three each 228390, wood screws 1 in. No.9 and six wood screws 3/4 in. No.9
228390	16859	Base Fastening Angle Piece, for 228389
228391	16859	Drip Pan with four wood screws 1/2 in. No.5 R.H.R.
233361	16856	Foot Lifter Lifting Lever Spring
233390	16856	Foot Lifter Lifting Lever Washer
236106	16855	Presser Bar Spring Stop Rod
236111	16853	Puller Feed Roll (upper) Bar Bracket with 200347C, 200352C and 237015
236112	16853	Puller Feed Roll (upper) Bar Position Guide
236113	16853	Puller Feed Roll (upper) Bar Position Lever with 200054E
237004	16855	Presser Bar Lifter
237005	16852	Puller Feed Clutch Case with 200341C and 200347C, for 224482
237007	16851	Puller Feed Clutch Driving Crank with 200035E
237009	16852	Puller Feed Clutch Friction Spring Nos. 237010 to 237014, for 224482
237010	16852	Puller Feed Clutch Retaining Flange with 201457C and two 237015

No.	Plate	Name
237011	16852	Puller Feed Clutch Roller
237012	16852	Puller Feed Clutch Roller Cam
237013	16852	Puller Feed Clutch Roller Carrier with 237015
237014	16852	Puller Feed Clutch Roller Carrier Spring
237015	16852	Puller Feed Clutch Driving Flange Pin, for 224481
237015	16852	Puller Feed Clutch Retaining Flange Pin, for 237010
237015	16852	Puller Feed Clutch Roller Cam Position Pin, for 237010 and 224481
237015	16852	Puller Feed Clutch Roller Carrier Spring Pin, for 237013
237015	16853	Puller Feed Roll (upper) Bar Lifter Stop Pin, for 236111
237016	16851	Puller Feed Cover Plate
237018	16851	Puller Feed Roll (lower) Shaft
237019	16851	Puller Feed Roll (lower) Shaft Bracket
237021	16853	Puller Feed Roll (upper) Bar
237023	16853	Puller Feed Roll (upper) Bar Bracket Support with 200054E
237026	16853	Puller Feed Roll (upper) Bar Spring
237027	16853	Puller Feed Roll (upper) Bar Spring Washer
237028	16853	Puller Feed Roll (upper) Bracket with 200374C, 200378C and 200396C
237029	16853	Puller Feed Roll (upper) Hinge Stud
237037	16853	Puller Feed Roll (upper) Bar Lifter
237038	16851	Puller Feed Roll (lower) (rubber faced) with 200374C and 200396C
237523	16850	Feed Driving Eccentric Regulating Bracket Plunger Spring
240802	16825	Arm Shaft Bushing (back) with 202244
244033	16855	Presser Bar (hollow), for 202335
244048	16832	Tension Disc (back), for 244062
244049	16832	Tension Disc (front), for 244062
244059	16854	Take-up Lever, for 210883
244061	16832	Tension Release Washer, for 244062
244062	16832	Tension complete, Nos. 200625F, 201572B, 202407, 202410, 244048, 244049, 244061 and 263106
244063	16825	Balance Wheel (disc) (belt groove 2-1/8 in diam.) with 200328C and 200335C
244071	16825	Arm Cap Oil Wick, for 224425
244074	16825	Balance Wheel (disc) V belt groove (outside diam. of belt groove 2.9 in.) with 201346C and 350107C Nos. 259428 to 259430, for 259431
259428	16615	Bobbin Winder Brake (leather)

No.	Plate	Name
259429	16615	Bobbin Winder Brake Clamp
259430	16615	" " and Tension Bracket Base
259431	16615	Universal Bobbin Winder complete, Nos. 200056E, 200082D, 200113F, 200299H, 202478, 225368, 225381, 225444, 225453 to 225456, 225458, 225462, 228026, 259428 to 259430, two each 225459 and wood screws 3/4 in., No. 12, R. H. B.
259489	16860	Elbow Binder, for ribbon from 3 to 6 in. wide, in steps of 1/16 in., for 259493
259490	16860	Elbow Binder Base Plate with 225706, for 259491
259491	16860	Elbow Binder Base Plate complete, Nos. 200246B, 201525E, 203077, 225708, 259490, 259492 and two 200160B, for 259493
259492	16860	Elbow Binder Bracket, for 259491
259493	16860	Elbow Binder on Swing Base complete, Nos. 226663, 259489, 259491 and two 200187B Nos. 259494 to 259496, for 259497
259494	16860	Ribbon Leader with 200838E
259495	16860	Ribbon Leader Bracket
259496	16860	Ribbon Leader Tension Adjusting Slide with 200465F and 201601C
259497	16860	Ribbon Leader complete, Nos. 200184B, 201557B, 259494 to 259496 and two wood screws 3/4 in., No. 9, R. H. B. Nos. 259498 to 259500, for 259501
259498	16861	Ribbon Reel Adjusting Collar with 200119D
259499	16861	Ribbon Reel Spindle
259500	16861	Ribbon Reel Spindle Base with 200382C and three wood screws 1 in., No. 10 F. H. B.
259501	16861	Ribbon Reel complete, (for bench) Nos. 226198, 226199, 227210 and 259498 to 259500
263106	16832	Tension Spring Washer, for 244062
350107C	16825	Balance Wheel Position Screw, for 244074
350314F	16827	Hook Shaft Position Screw, for 210621

## ILLUSTRATIONS OF PARTS