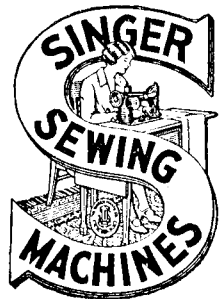


**SINGER**  
**119W3,W4,W6,W7,W8**

# LIST OF PARTS



## MACHINES Nos. 119w3, 119w4, 119w6, 119w7 and 119w8

THE SINGER MANUFACTURING COMPANY

### INDEX

---

	PAGE
ACCESSORIES .....	46
BALANCE WHEELS .....	49
BOBBIN WINDER .....	46
BOX PLATER .....	56
CORD HOLDER .....	49
HEMMERS .....	51
KNEE LIFTER .....	47
LAP SEAM FELLER .....	57
MACHINE NO. 119w3 .....	7
"    "    119w4 .....	20
"    "    119w6 .....	21
"    "    119w7 .....	33
"    "    119w8 .....	45
NUMERICAL LIST OF PARTS .....	59
PICOT EDGE CUTTING DEVICE .....	57
PIERCERS .....	50
THREAD UNWINDER .....	48

# Instructions for Ordering

In ordering from this list, use **ONLY** the **PART** number in the **FIRST** column.

The number stamped on a Sewing Machine Part is the number of the Single Part only, except when the part includes Set Screws, Clamping Screws, Studs and Rollers Spun on, Small Wires riveted, or Parts soldered together, etc., which it is necessary to furnish in combination.

Every combination of parts sent out has its specific number which, although not stamped on Parts (except in above cases) must be used when ordering the combination.

Each number always indicates the **SAME PART** in whatever list it appears, or for whatever Machine.

The letters after some of the numbers indicate the style of finish only, as follows:

- A. Hardened, Polished and Plated.
- B. Polished and Plated.
- C. Hardened only.
- D. Polished only.
- E. Soft, not polished.
- F. Hardened and Polished.
- H. Blued.

These letters **MUST BE USED** when they appear in the list and **AFTER** the number, as in the list.

In this series

200001 to 201500 are Screw Numbers.

201501 to 201800 are Nut Numbers.

201801 to 202000 are Roller Numbers.

202001 and upward are numbers of Machine Parts.

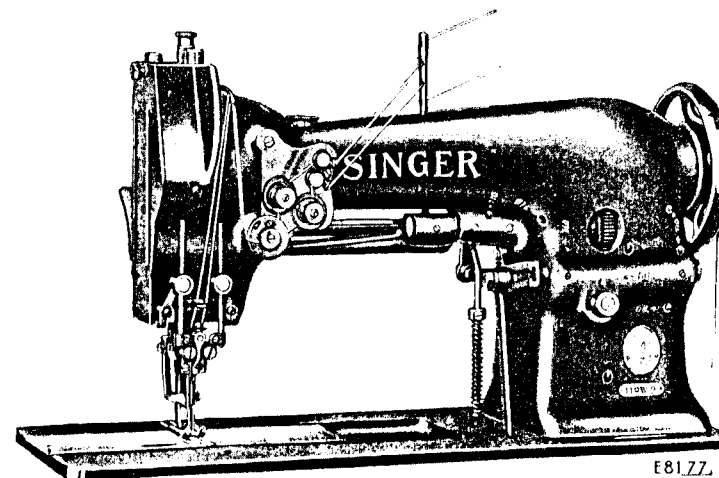
The figures in the second column refer only to the plate in which the illustration of the part is shown and are **NOT TO BE USED** in ordering.

Two or more numbers over a cut indicate that the difference between such parts is not visible in an illustration.

Parts marked with an asterisk (\*) are furnished only when repairs are made at the factory.

## LIST OF PARTS COMPLETE

FOR



## MACHINE No. 119w3

For Hemstitching  $\frac{1}{8}$  in. Openings in Drawn, Coarse and Loosely Woven Linen Work for Table

Spreads, Doillies, Vase Mats, etc.

Has Forward Feed

No.	Plate	Name
*247501	---	Arm with 202135 and four 247579..
204235	15082	" Position Pin (2) .....
200010E	15082	" Screw (3) .....
202005	15082	" Washer (3) .....
247502	15052	" Shaft with 200357E and 203100
237748	15053	" " Bushing (back) with
		202299 .....
202299	---	Arm Shaft Bushing (back) Oil
		Packing (wick) .....
200071E	15082	Arm Shaft Bushing (back) Screw
		(3) .....
207080	15053	Arm Shaft Bushing (front) with
		202244 .....
202244	---	Arm Shaft Bushing (front) Oil
		Packing (wick) .....

No.	Plate	Name
200502B	15082	Arm Shaft Bushing (front) Oil Packing Thumb Screw .....
200338C	15082	Arm Shaft Bushing (front) Set Screw .....
203100	—	Arm Shaft Oil Packing (wick) ...
200357E	15082	" " " " Stop Screw ..
235505	15053	" Side Cover .....
732D	15082	" " " Screw .....
234741	15082	Auxiliary Piercer .....
234714	15082	" " Holder with 200117F and 200389C .....
200117F	15082	Auxiliary Piercer Holder Screw ..
350239C	15082	" " " Stud .....
201537H	15082	" " " " Nut .....
213239	15082	" " " " " Washer .....
225604	15082	Auxiliary Piercer Holder Stud Washer .....
200389C	15082	Auxiliary Piercer Set Screw .....
223842	15052	Balance Wheel (belt groove 2 3/8 in. diam.) with 200328C and 200335C
200062H	15082	Balance Wheel Adjusting Screw ..
200328C	15082	" " Position Screw .....
200335C	15082	" " Set Screw .....
*247503	—	Bed with 203376 .....
247504	15056	" Slide (back) .....
223811	15082	" " " Stop .....
223812	15082	" " " Spring .....
224044	15056	" " (front) .....
205208	15054	Bobbin (2) .....
235769	15054	" Case Base with 202056, 203214 to 203213 and 203216 .....
203211	15054	Bobbin Case Base Latch .....
*202056	—	" " " " Pin .....
203212	15054	" " " " Plunger ..
203213	15054	" " " " Spring ...
235770	15054	" " Cap with 200594C, 200984C and 235771 .....
236078	15054	Bobbin Case Lever .....
*203476	—	" " " Eccentric .....
204243	15054	" " " " Position Pin .....
235751	15054	Bobbin Case Lever Fulcrum .....
200066D	15054	" " " " Screw ..
203478	15054	" " " " Stud ...
235771	15054	" " Tension Spring .....
200984C	15054	" " " " Regulat- ing Screw .....

No.	Plate	Name
200594C	15054	Bobbin Case Tension Spring Screw
203216	—	" " Washer (cloth) .....
235772	15054	Bobbin Case complete, Nos. 235769 and 235770 .....
247505	15053	Face Plate .....
202135	15080	" " Position Pin .....
200462B	15069	" " Thumb Screw .....
235697	15053	Feed Bar with 201535E, 204189 and 350219E .....
200641C	15081	Feed Bar Hinge Screw .....
201522E	15081	" " " " Nut .....
202276	15081	" " Slide Block .....
200205F	15082	" " " " Hinge Screw
201518E	15082	" " " " " " " Nut .....
204443	15082	Feed Bar Spring .....
203060	15082	" " " Hook .....
204189	15080	" " " " .....
212830	15087	" Dog .....
200106E	15082	" " Screw (2) .....
350219E	15082	" " Support Screw .....
201535E	15082	" " " " Nut .....
247506	15056	" Driving Cam with two 200347C
200347C	15082	" " " Set Screw .....
247507	15056	" " Connection .....
235513	15082	" " " Bearing .....
202298	15082	" " " Crank with 200038C .....
200038C	15082	Feed Driving Connection Crank Pinch Screw .....
201306C	15082	Feed Driving Connection Hinge Screw .....
201518E	15082	Feed Driving Connection Hinge Screw Nut .....
247508	15056	Feed Driving Rock Shaft .....
247509	—	" " " " 247508 with 200641C, 201522E and 235697
235619	15082	Feed Driving Rock Shaft Center (2)
200043C	15082	" " " " " Set Screw (2) .....
247586	15056	Feed Driving Segment Lever with 201311C, 201531E, 201871, 235637 and 247511 .....
235637	15080	Feed Driving Segment Lever Pin ..
201871	15080	" " " " Roller
201311C	15080	" " " " " " Screw Stud .....
201531E	15080	Feed Driving Segment Lever Roller Screw Stud Nut .....

No.	Plate	Name
247511	—	Feed Driving Segment Lever Shaft
247512	15080	" " " " "
		Bushing (left) .....
247513	15080	Feed Driving Segment Lever Shaft
		Bushing (right) .....
200346c	15080	Feed Driving Segment Lever Shaft
		Bushing Set Screw (2) .....
247593	15080	Feed Driving Segment Lever Shaft
		Collar with 200119f .....
200119f	15080	Feed Driving Segment Lever Shaft
		Collar Set Screw .....
247514	15058	Feed Lifting Cam and Gear, 54 teeth .....
200540d	15080	Feed Lifting Cam and Gear Cap Screw .....
222521	15080	Feed Lifting Cam and Gear Cap Screw Washer .....
247515	15058	Feed Lifting Cam and Gear Driving Pinion, 18 teeth, with two 200388c
200388c	15080	Feed Lifting Cam and Gear Driving Pinion Set Screw .....
247516	15058	Feed Lifting Cam and Gear Shaft (hollow) with 204110 and two 204111 .....
204110	—	Feed Lifting Cam and Gear Shaft Oiling Leather .....
204111	—	Feed Lifting Cam and Gear Shaft Oiling Leather Pin (leather) ....
200363c	15080	Feed Lifting Cam and Gear Shaft Set Screw (2) .....
247517	15058	Feed Lifting Connection .....
202298	15082	" " " Crank with 200038c .....
200038c	15082	Feed Lifting Connection Crank Pinch Screw .....
201306c	15082	Feed Lifting Connection Hinge Screw (2) .....
201518E	15082	Feed Lifting Connection Hinge Screw Nut (2) .....
247518	15058	Feed Lifting Lever .....
201871	15080	" " " Roller .....
201097c	15080	" " " " Screw Stud
201530E	15080	" " " " " " Nut .....
247519	15052	Feed Lifting Rock Shaft .....
235619	15082	" " " " Center (2)
200043c	15082	" " " " " Set Screw (2) .....

No.	Plate	Name
201309E	15080	Feed Regulating Screw Slide .....
201652E	15080	" " " " Nut ..
235524	15081	" " " " Washer
*247596	—	Hook (sewing) .....
247597	15080	" 247596 with 247599 and two 201253f .....
247598	—	Hook and Bobbin Case complete, Nos. 235772 and 247597 .....
236086	15080	Hook Driving Gear with 200383c and 200398c .....
247522	15052	Hook Driving Gear Guard .....
200034c	15080	" " " " Screw (2)
200398c	15080	" " " Position Screw.
200383c	15080	" " " Set Screw ....
247523	15052	" " Shaft .....
235857	15080	" " " Bevel Gear with 200374c and 200396c .....
*235858	—	Hook Driving Shaft Bevel Gear Guard Section (back) .....
*235859	—	Hook Driving Shaft Bevel Gear Guard Section (front) .....
201405E	15080	Hook Driving Shaft Bevel Gear Guard Screw .....
235860	15056	Hook Driving Shaft Bevel Gear Guard complete, Nos. 201405E, 235858 and 235859 .....
200396c	15080	Hook Driving Shaft Bevel Gear Position Screw .....
200374c	15080	Hook Driving Shaft Bevel Gear Set Screw .....
247524	15058	Hook Driving Shaft Bushing (back)
247578	15058	" " " " (center or front) (2) .....
200346c	15080	Hook Driving Shaft Bushing Set Screw (3) .....
221743	15080	Hook Driving Shaft Collar with two 200380c .....
200380c	15080	Hook Driving Shaft Collar Set Screw .....
247599	15081	Hook Gib .....
201253f	15081	" " Screw .....
247525	15058	" Saddle (left or right) .....
200034c	15080	" " Screw (4) .....
235865	15081	" " " Washer (4) .....
247600	—	Hook Saddle (left or right) complete, Nos. 200066d, 200555u, 203478, 235751, 235866, 236078, 236088, 247525, 247598 and 247601 (2) .....

No.	Plate	Name
235866	15081	Hook Socket .....
236088	15081	" " Gear (spiral) with 200378c and 200383c (2) .....
200378c	15081	Hook Socket Gear Position Screw
200383c	15080	" " " Set Screw ....
200555H	15081	" " Screw (2) .....
247601	15081	" Washer with 203476 and two 204243 .....
247663	—	Knee Lifter Bell Crank .....
247664	—	" " " " Bracket
247665	15058	" " " " " 247664 with 5601 and 247663 ....
178F	15081	Knee Lifter Bell Crank Bracket Screw (2) .....
5601	15081	Knee Lifter Bell Crank Hinge Pin
5735	15081	" " " " Spring ....
247528	15052	" " Lifting Lever .....
247529	15052	" " " " Connecting Rod with 202302 .....
202302	15081	Knee Lifter Lifting Lever Connect- ing Rod Cotter Pin .....
12416	15081	Knee Lifter Lifting Lever Connect- ing Rod Joint .....
350242H	15081	Knee Lifter Lifting Lever Connect- ing Rod Joint Hinge Screw ....
201520H	15081	Knee Lifter Lifting Lever Connect- ing Rod Joint Hinge Screw Nut
1521E	15081	Knee Lifter Lifting Lever Connect- ing Rod Lock Nut .....
206628	15081	Knee Lifter Lifting Lever Connect- ing Rod Spring .....
227625	15081	Knee Lifter Lifting Lever Connect- ing Rod Spring Collar with 200113F .....
200113F	15080	Knee Lifter Lifting Lever Connect- ing Rod Spring Collar Set Screw
200262H	15081	Knee Lifter Lifting Lever Hinge Screw .....
247531	15083	Needle Bar .....
247532	15084	" " Bushing (lower) .....
247533	15084	" " " (upper) .....
200338c	15082	" " " Set Screw (2) ..
202552	15084	" " Connecting Link .....
202333	15084	" " " " Stud with 202254 .....
202254	—	Needle Bar Connecting Link Stud Oil Packing (wick) .....
200374c	15080	Needle Bar Connecting Link Stud Set Screw .....

No.	Plate	Name
200383c	15080	Needle Bar Connecting Link Stud Set Screw .....
247534	15084	Needle Bar Connecting Stud with 200072c and 222598 .....
222598	—	Needle Bar Connecting Stud Oil Packing (wick) .....
200072c	15084	Needle Bar Connecting Stud Pinch Screw .....
201992	15084	Needle Bar Connecting Stud Roller
247535	15058	" " Crank with 200335c, 200374c, 200383c, 200428c and 202333 .....
203172	15084	Needle Bar Crank Friction Washer
200428c	15084	" " " Position Screw ..
200335c	15082	" " " Set Screw .....
213256	15084	" " Thread Guide .....
200130F	15084	" Clamping Screw .....
247583	15084	" Holder (left) with two 200130F .....
247584	15084	Needle Holder (right) with two 200130F .....
247539	15084	Needle Holder Bracket with 201030F
247585	—	" " " 247539 with 213239, 213256, 247583, 247584, 350239c, two each 201183F, 350240c, three each 201537H and 225604 .....
201030F	15084	Needle Holder Bracket Screw ....
201183F	15084	" " Cap Screw .....
350240c	15084	" " Hinge Stud .....
201537H	15082	" " " " Nut .....
225604	15082	" " " " Washer..
247541	15085	" Vibrating Bell Crank (left)..
247542	15085	" " " " (right)..
210932	15085	" " " " Hinge Stud with 210933 .....
210933	—	Needle Vibrating Bell Crank Hinge Stud Oil Packing (wick) .....
200347c	15082	Needle Vibrating Bell Crank Hinge Stud Set Screw .....
247543	15085	Needle Vibrating Bell Crank Link (2) .....
247544	15077	Needle Vibrating Cam with two 200382c .....
200382c	15085	Needle Vibrating Cam Set Screw..
247545	15085	" " Connection Rod (2) ..
200130F	15084	" " " " Clamp- ing Screw .....
247577	15085	Needle Vibrating Connection Rod Swivel (2) .....

No.	Plate	Name
247546	15085	Needle Vibrating Crank (right) with 200072c .....
247547	15085	Needle Vibrating Crank (left) with 200072c .....
200072c	15084	Needle Vibrating Crank Pinch Screw .....
247548	15077	Needle Vibrating Lever with 201141c and 201888 .....
247549	15077	Needle Vibrating Lever Pitman (2)
247550	15085	" " " " Connection (2) .....
200064f	15085	Needle Vibrating Lever Pitman Connection Screw (2) .....
247551	15077	Needle Vibrating Lever Pitman Guard with 200347c and 200363c..
200347c	15082	Needle Vibrating Lever Pitman Guard Adjusting Screw .....
200363c	15080	Needle Vibrating Lever Pitman Guard Set Screw .....
247552	15085	Needle Vibrating Lever Pitman Swivel with 200110d (4) .....
200110d	15085	Needle Vibrating Lever Pitman Set Screw .....
201888	15085	Needle Vibrating Lever Roller ....
201141c	15085	" " " " Screw Stud .....
247568	15083	Needle Vibrating Lever Shaft ....
247569	15085	" " " " Bushing (back) .....
235601	15085	Needle Vibrating Lever Shaft Bushing (front) .....
247593	15080	Needle Vibrating Lever Shaft Collar with 200119f (3) .....
200119f	15080	Needle Vibrating Lever Shaft Collar Set Screw .....
206064	---	Needle Vibrating Lever Spring ....
203060	15082	" " " " Hook .....
247553	15086	" " Rock Shaft (left)
247554	---	" " " " " " " " 247553 with 232343 and 247558 ..
247555	15086	Needle Vibrating Rock Shaft (right)
247557	---	" " " " " " " " 247555 with 232343, 247556 and 247558 .....
247579	15086	Needle Vibrating Rock Shaft Bushing (4) .....
247556	15086	Needle Vibrating Rock Shaft (right) Collar .....
247558	15086	Needle Vibrating Rock Shaft Crank (left or right) .....

No.	Plate	Name
232343	15086	Needle Vibrating Rock Shaft Crank Position Pin .....
213831	15086	Piercer .....
247559	15077	" Bar .....
247560	---	" " 247559 with 221481 and 247561 .....
247561	15086	Piercer Bar Bushing (lower) .....
221481	15086	" " " (upper) .....
200342c	15086	" " " Set Screw (2) ..
213248	15086	" " " Driving Cam with two 200362c .....
247592	15086	Piercer Bar Driving Cam Connection with 200057h and 200066d ..
247563	15063	Piercer Bar Driving Cam Connection Crank with 200070c .....
350274c	15063	Piercer Bar Driving Cam Connection Crank Hinge Screw .....
201520h	15081	Piercer Bar Driving Cam Connection Crank Hinge Screw Nut ...
200070c	15063	Piercer Bar Driving Cam Connection Crank Pinch Screw .....
200057h	15063	Piercer Bar Driving Cam Connection Pinch Screw .....
200066d	15054	Piercer Bar Driving Cam Connection Pinch Screw .....
213740	15063	Piercer Bar Driving Cam Retaining Washer .....
200128e	15063	Piercer Bar Driving Cam Retaining Washer Screw .....
200362c	15063	Piercer Bar Driving Cam Set Screw
213249	15063	" " " " " " " " Lifting Bracket with two 201052c .....
201052c	15063	Piercer Bar Lifting Bracket Set Screw .....
213804	15077	Piercer Bar Lifting Rock Shaft
215720	15063	" " " " " " " " Bushing (2) .....
200043c	15082	Piercer Bar Lifting Rock Shaft Bushing Set Screw (2) .....
201524e	15063	Piercer Bar Lifting Rock Shaft Bushing Set Screw Nut (2) ....
204197	15063	Piercer Bar Lifting Rock Shaft Collar with 200113f .....
200113f	15080	Piercer Bar Lifting Rock Shaft Collar Set Screw .....
213255	15077	Piercer Bar Lifting Rock Shaft Crank with 201812, 205532 and 213804 .....

No.	Plate	Name
214004	—	Piercer Bar Lifting Rock Shaft Crank 213255 with 213249 .....
205532	15063	Piercer Bar Lifting Rock Shaft Crank Position Pin .....
201812	15063	Piercer Bar Lifting Rock Shaft Crank Roller and Stud .....
213253	15063	Piercer Holder with 200117F .....
200076D	15063	" " Screw .....
200117F	15082	" Set Screw .....
213791	15077	Presser Bar .....
224391	15063	" " Bushing .....
200398C	15080	" " " Set Screw ....
247564	15063	" " Lifter .....
247565	15063	" " Lifting Lever with 200378C .....
200378C	15081	Presser Bar Lifting Lever Set Screw .....
244004	15063	Presser Bar Lifting Releasing Lever Bracket .....
206608	15063	Presser Bar Lifting Releasing Lever Bracket Spring .....
200260E	15063	Presser Bar Lifting Releasing Lever Bracket Guide Screw .....
233634	15065	Presser Bar Position Guide .....
202338	15065	" " " " Lever with 200086F .....
200086F	15065	Presser Bar Position Guide Lever Pinch Screw .....
200352C	15065	Presser Bar Position Guide Set Screw .....
247567	15065	Presser Bar Sleeve .....
247580	15065	" " Spring .....
234044	15065	" " " Stop Rod .....
200492B	15065	" " Thumb Screw (pressure regulating) .....
200475B	15065	Presser Bar Thumb Screw Thumb Set Screw .....
202355	15065	Presser Bar Thumb Screw Thumb Set Screw Packing (brass) (2)..
200436F	15065	Presser Foot Adjusting Screw ....
200086F	15065	" " " " Clamp Screw .....
221479	15065	Presser Foot Hinge Pin .....
229685	15065	" " " Stud .....
200397H	15065	" " " " Set Screw .....
221464	—	" " Plate (left) .....
221463	—	" " " (right) .....
229672	—	" " Shank (left) with 200086F, 200397H and 200436F ..

No.	Plate	Name
221465	15088	Presser Foot Shank 229672 with 221464 and 221479 .....
229676	—	Presser Foot Shank (right) with 200086F .....
221466	15088	Presser Foot Shank 229676 with 221463 and 221479 .....
200086F	15065	Presser Foot Shank (right) Set Screw .....
247582	15065	Presser Foot Spring .....
202737	15065	" " " Collar with 200380C .....
200380C	15080	Presser Foot Spring Collar Set Screw .....
221467	15088	Presser Foot (hinged) complete, Nos. 221465, 221466 and 229685 ..
247651	15077	Presser Foot Vibrating Cam .....
247570	15065	Take-up Lever .....
202399	15065	" " Driving Stud with 202277 .....
202277	—	Take-up Lever Driving Stud Oil Packing (wick) .....
202400	15065	Take-up Lever Hinge Stud with 202423 .....
202423	—	Take-up Lever Hinge Stud Oil Packing (wick) .....
200352C	15065	Take-up Lever Hinge Stud Set Screw .....
202401	—	Take-up Lever Oiling Felt .....
200132E	15065	" " " " Screw..
234086	15066	Tension Bracket with two each 200397H, 201224B and 236060 ....
234087	—	Tension Bracket complete, Nos. 200174H, 200978H, 201199E, 223703, 223706, 223707, 234086, 236098, two each 13710, 200309E, 204059, 204271, 223704, three 201572B and four 244007 .....
200159H	15066	Tension Bracket Screw .....
234047	15066	" " " Socket ....
200355H	15066	" " " " Set Screw .....
236098	15066	Tension Bracket Thread Guide (double) .....
200174H	15066	Tension Bracket Thread Guide Screw .....



No.	Plate	Name
244007	15066	Tension Disc .....
236060	15066	" " Position Pin .....
223703	15066	" Release Lever .....
247571	15066	" " Rod .....
247572	15066	" " " Extension .....
200309E	15066	" " " Screw .....
223704	15066	" " Plunger .....
204271	15066	" " Washer .....
13710	15066	" Spring .....
201224B	15066	" Stud .....
201572	10881	" Thumb Nut .....
223706	15066	Thread Controller Disc .....
200978H	15066	" " " Screw .....
223707	15066	" " Spring .....
242117	15067	" " " Stop .....
200132E	15065	" " " " Screw .....
201199F	15067	" " Stud with 204925 .....
201572B	10881	" " " Thumb Nut .....
200061C	15067	" " " Set Screw .....
204925	15067	" " " Washer .....
224028	15067	" Guide .....
210954	15067	" " .....
200582H	15067	" " Screw .....
204059	---	Thread Retainer complete, Nos. 202091, 202092 and 204058 .....
202091	15067	Thread Retainer Sleeve .....
202092	15067	" " Spring .....
204058	15067	" " Stud .....
200397H	15065	" " " Set Screw .....
212828	15087	Throat Plate with 212869 and two 200587D .....
200161D	15086	Throat Plate Clamping Screw .....
212869	15086	" " Needle Guard .....
200587D	15086	" " " " Screw .....
203376	15086	" " Position Pin .....
200577H	15086	" " Screw .....
236051	15083	Vertical Shaft .....
235857	15080	" " Bevel Gear (lower) with 200374C and 200396C .....
236053	15067	Vertical Shaft Bevel Gear (upper) with 200374C and 200396C .....
200396C	15080	Vertical Shaft Bevel Gear Position Screw .....
200374C	15080	Vertical Shaft Bevel Gear Set Screw .....
236054	15083	Vertical Shaft Bushing (lower) ...
247573	15067	" " " (upper) .....
247574	15067	" " " " Oil Tube (brass) .....

No.	Plate	Name
247575	15067	Vertical Shaft Bushing (lower) Oil Tube (brass) .....
200346C	15080	Vertical Shaft Bushing Set Screw (2) .....
247576	15067	Vertical Shaft Driving Bevel Gear with 200378C and 200396C .....
200378C	15081	Vertical Shaft Driving Bevel Gear Set Screw .....
200396C	15080	Vertical Shaft Driving Bevel Gear Position Screw .....

## MACHINE No. 119w4

For Hemstitching  $\frac{1}{8}$  in. Openings in Drawn, Coarse  
and Loosely Woven Linen Work for Table  
Spreads, Doillies, Vase Mats, etc.  
Has Return Feed

Same as Machine No. 119w3 with the following  
exceptions:

No.	Plate	Name
247680	15083	Feed Driving Cam with two 200347c, in place of 247506 .....
247681	15083	Feed Lifting Cam and Gear, 54 teeth, in place of 247514 .....
247682	15083	Needle Vibrating Cam Spacing Washer, in place of 247651 .....

## LIST OF PARTS COMPLETE

FOR

## MACHINE No. 119w6

For Hemstitching  $\frac{1}{8}$  in. Openings in Drawn Work  
and Loosely Woven Fabrics for Table  
Cloths, Towels, etc. Has  
Forward Feed

No.	Plate	Name
*247501	----	Arm with 202135 and four 247579..
204235	15082	" Position Pin (2) .....
200010E	15082	" Screw (3) .....
202005	15082	" " Washer (3) .....
247502	15052	" Shaft with 200357E and 203100
237748	15053	" " Bushing (back) with 202299 .....
202299	----	Arm Shaft Bushing (back) Oil Packing (wick) .....
200071E	15082	Arm Shaft Bushing (back) Screw (3) .....
207080	15053	Arm Shaft Bushing (front) with 202244 .....
202244	----	Arm Shaft Bushing (front) Oil Packing (wick) .....
200502E	15082	Arm Shaft Bushing (front) Oil Packing Thumb Screw .....
20033Sc	15082	Arm Shaft Bushing (front) Set Screw .....
203100	----	Arm Shaft Oil Packing (wick) ....
200357E	15082	" " " " Stop Screw ..
235505	15053	" Side Cover .....
732D	15082	" " " Screw .....
234742	15082	Auxiliary Piercer .....
234714	15082	" " Holder with 200117E and 200389c .....
200117E	15082	Auxiliary Piercer Holder Screw ..
350239c	15082	" " " Stud ....
201537H	15082	" " " " Nut
213239	15082	" " " " " Washer .....
225604	15082	Auxiliary Piercer Holder Stud Washer .....

No.	Plate	Name
200389c	15082	Auxiliary Piercer Set Screw .....
223842	15052	Balance Wheel (belt groove 2 1/2 in. diam.) with 200328c and 200335c
200062n	15082	Balance Wheel Adjusting Screw...
200328c	15082	" " Position Screw .....
200335c	15082	" " Set Screw .....
*247503	—	Bed with 203376 .....
247504	15056	" Slide (back) .....
223811	15082	" " " Stop .....
223812	15082	" " " Spring .....
224044	15056	" " (front) .....
203208	15054	Bobbin (2) .....
235769	15054	" Case Base with 202056, 203211 to 203213 and 203216 .....
203211	15054	Bobbin Case Base Latch .....
*202056	—	" " " " Pin .....
203212	15054	" " " " Plunger ..
203213	15054	" " " " Spring ...
235770	15054	" " Cap with 200594c, 200984c and 235771 .....
236078	15054	Bobbin Case Lever .....
*203476	—	" " " Eccentric .....
204243	15054	" " " " Position Pin .....
235751	15054	Bobbin Case Lever Fulcrum .....
200066D	15054	" " " " Screw ..
203478	15054	" " " " Stud ...
235771	15054	" " Tension Spring .....
200984c	15054	" " " " Regulat- ing Screw .....
200594c	15054	Bobbin Case Tension Spring Screw
203216	—	" " Washer (cloth) .....
235772	15054	Bobbin Case complete, Nos. 235769 and 235770 .....
247505	15053	Face Plate .....
202135	15080	" " Position Pin .....
200462B	15069	" " Thumb Screw .....
235697	15053	Feed Bar with 201535E, 204189 and 350219E .....
200641c	15081	Feed Bar Hinge Screw .....
201522E	15081	" " " " Nut .....
202276	15081	" " Slide Block .....
200205F	15082	" " " " Hinge Screw
201518E	15082	" " " " " " Nut .....
204443	15082	Feed Bar Spring .....
203060	15082	" " " Hook .....
204189	15080	" " " " .....

No.	Plate	Name
212836	12284	Feed Dog .....
200106E	15082	" " Screw .....
350219E	15082	" " Support Screw .....
201535E	15082	" " " " Nut .....
247677	15056	" Driving Cam with two 200347c
200347c	15082	" " " Set Screw .....
247507	15056	" " Connection .....
235513	15082	" " " Bearing .....
202298	15082	" " " Crank with 200038c .....
200038c	15082	Feed Driving Connection Crank Pinch Screw .....
201306c	15082	Feed Driving Connection Hinge Screw .....
201518E	15082	Feed Driving Connection Hinge Screw Nut .....
247508	15056	Feed Driving Rock Shaft .....
247509	—	" " " " 247508 with 200641c, 201522E and 235697
235619	15082	Feed Driving Rock Shaft Center (2)
200043c	15082	" " " " " Set Screw (2) .....
247586	15056	Feed Driving Segment Lever with 201311c, 201531E, 201871, 235637 and 247511 .....
235637	15080	Feed Driving Segment Lever Pin..
201871	15080	" " " " Roller
201311c	15080	" " " " " Screw Stud .....
201531E	15080	Feed Driving Segment Lever Roller Screw Stud Nut .....
247511	—	Feed Driving Segment Lever Shaft
247512	15080	" " " " " Bushing (left) .....
247513	15080	Feed Driving Segment Lever Shaft Bushing (right) .....
200346c	15080	Feed Driving Segment Lever Shaft Bushing Set Screw (2) .....
247593	15080	Feed Driving Segment Lever Shaft Collar with 200119F .....
200119F	15080	Feed Driving Segment Lever Shaft Collar Set Screw .....
247678	15058	Feed Lifting Cam and Gear, 54 teeth .....
200540n	15080	Feed Lifting Cam and Gear Cap Screw .....
222521	15080	Feed Lifting Cam and Gear Cap Screw Washer .....
247515	15058	Feed Lifting Cam and Gear Driving Pinion, 18 teeth, with two 200388c

No.	Plate	Name
200388c	15080	Feed Lifting Cam and Gear Driving Pinion Set Screw .....
247516	15058	Feed Lifting Cam and Gear Shaft (hollow) with 204110 and two 204111 .....
204110	—	Feed Lifting Cam and Gear Shaft Oiling Leather .....
204111	—	Feed Lifting Cam and Gear Shaft Oiling Leather Pin (leather) ....
200363c	15080	Feed Lifting Cam and Gear Shaft Set Screw (2) .....
247517	15058	Feed Lifting Connection .....
202298	15082	" " " Crank with 200038c .....
200038c	15082	Feed Lifting Connection Crank Pinch Screw .....
201306c	15082	Feed Lifting Connection Hinge Screw (2) .....
201518c	15082	Feed Lifting Connection Hinge Screw Nut (2) .....
247518	15058	Feed Lifting Lever .....
201871	15080	" " " Roller .....
201097c	15080	" " " " Screw Stud .....
201530c	15080	Feed Lifting Lever Roller Screw Stud Nut .....
247519	15052	Feed Lifting Rock Shaft .....
235619	15082	" " " " Center (2) .....
200043c	15082	" " " " " Set Screw (2) .....
201309c	15080	Feed Regulating Screw Slide .....
201652c	15080	" " " " Nut ..
235524	15081	" " " " Washer .....
*247596	—	Hook (sewing) .....
247597	15080	" 247596 with 247599 and two 201253c .....
247598	—	Hook and Bobbin Case complete, Nos. 235772 and 247597 .....
236086	15080	Hook Driving Gear with 200383c and 200398c .....
247522	15052	Hook Driving Gear Guard .....
200034c	15080	" " " " Screw (2) .....
200398c	15080	" " " " Position Screw .....
200383c	15080	" " " " Set Screw .....
247523	15052	" " Shaft .....
235857	15080	" " " Bevel Gear with 200374c and 200396c .....
*235858	—	Hook Driving Shaft Bevel Gear Guard Section (back) .....

No.	Plate	Name
*235859	—	Hook Driving Shaft Bevel Gear Guard Section (front) .....
201405c	15080	Hook Driving Shaft Bevel Gear Guard Screw .....
235860	15056	Hook Driving Shaft Bevel Gear Guard complete, Nos. 201405c, 235858 and 235859 .....
200396c	15080	Hook Driving Shaft Bevel Gear Position Screw .....
200374c	15080	Hook Driving Shaft Bevel Gear Set Screw .....
247524	15058	Hook Driving Shaft Bushing (back) .....
247578	15058	" " " " (center or front) (2) .....
200346c	15080	Hook Driving Shaft Bushing Set Screw (3) .....
221743	15080	Hook Driving Shaft Collar with two 200380c .....
200380c	15080	Hook Driving Shaft Collar Set Screw .....
247599	15081	Hook Gib .....
201253c	15081	" " Screw .....
247525	15058	" Saddle (left or right) .....
200034c	15080	" " Screw (4) .....
235865	15081	" " Washer (4) .....
247600	—	Hook Saddle (left or right) complete, Nos. 200066b, 200555u, 203478, 235751, 235866, 236078, 236088, 247525, 247598 and 247601 (2) .....
235866	15081	Hook Socket .....
236088	15081	" " Gear (spiral) with 200378c and 200383c (2) .....
200378c	15081	Hook Socket Gear Position Screw .....
200383c	15080	" " " Set Screw .....
200555u	15081	" " Screw (2) .....
247601	15081	" Washer with 203476 and two 204243 .....
247663	—	Knee Lifter Bell Crank .....
247664	—	" " " " Bracket ..
247665	15058	" " " " " 247664 with 5601 and 247663 .....
178c	15081	Knee Lifter Bell Crank Bracket Screw (2) .....
5601	15081	Knee Lifter Bell Crank Hinge Pin .....
5735	15081	" " " " Spring .....
247528	15052	" " Lifting Lever .....
247529	15052	" " " " Connecting Rod with 202302 .....

No.	Plate	Name
202302	15081	Knee Lifter Lifting Lever Connecting Rod Cotter Pin .....
12416	15081	Knee Lifter Lifting Lever Connecting Rod Joint .....
350242u	15081	Knee Lifter Lifting Lever Connecting Rod Joint Hinge Screw ....
201520u	15081	Knee Lifter Lifting Lever Connecting Rod Joint Hinge Screw Nut..
1521E	15081	Knee Lifter Lifting Lever Connecting Rod Lock Nut .....
206628	15081	Knee Lifter Lifting Lever Connecting Rod Spring .....
227625	15081	Knee Lifter Lifting Lever Connecting Rod Spring Collar with 200113F .....
200113F	15080	Knee Lifter Lifting Lever Connecting Rod Spring Collar Set Screw
200262u	15081	Knee Lifter Lifting Lever Hinge Screw .....
247531	15083	Needle Bar .....
247532	15084	" " Bushing (lower) .....
247533	15084	" " " (upper) .....
200338c	15082	" " " Set Screw (2) ..
202552	15084	" " Connecting Link .....
202333	15084	" " " " Stud with 202254 .....
202254	---	Needle Bar Connecting Link Stud Oil Packing (wick) .....
200374c	15080	Needle Bar Connecting Link Stud Set Screw .....
200383c	15080	Needle Bar Connecting Link Stud Set Screw .....
247534	15084	Needle Bar Connecting Stud with 200072c and 222598 .....
222598	---	Needle Bar Connecting Stud Oil Packing (wick) .....
200072c	15084	Needle Bar Connecting Stud Pinch Screw .....
201992	15084	Needle Bar Connecting Stud Roller
247535	15058	" " Crank with 200335c, 200374c, 200383c, 200428c and 202333 .....
203172	15084	Needle Bar Crank Friction Washer
200428c	15084	" " " Position Screw..
200335c	15082	" " " Set Screw .....
213256	15084	" " Thread Guide .....
200130F	15084	" Clamping Screw .....
247583	15084	" Holder (left) with two 200130F
247584	15084	" " (right) with two 200130F
247539	15084	" " Bracket with 201030F..

No.	Plate	Name
247585	---	Needle Holder Bracket 247539 with 213239, 213256, 247583, 247584, 350239c, two each 201183F, 350240c, three each 201537u and 225604 .....
201030F	15084	Needle Holder Bracket Screw .....
201183F	15084	" " Cap Screw .....
350240c	15084	" " Hinge Stud .....
201537u	15082	" " " " Nut .....
225604	15082	" " " " Washer ..
247541	15085	" Vibrating Bell Crank (left)..
247542	15085	" " " " (right)
210932	15085	" " " " Hinge Stud with 210933 .....
210933	---	Needle Vibrating Bell Crank Hinge Stud Oil Packing (wick) .....
200347c	15082	Needle Vibrating Bell Crank Hinge Stud Set Screw .....
247543	15085	Needle Vibrating Bell Crank Link (2) .....
247679	15083	Needle Vibrating Cam with two 200382c .....
200382c	15085	Needle Vibrating Cam Set Screw..
247682	15083	" " " Spacing Washer .....
247545	15085	Needle Vibrating Connection Rod (2) .....
200130F	15084	Needle Vibrating Connection Rod Clamping Screw .....
247577	15085	Needle Vibrating Connection Rod Swivel (2) .....
247546	15085	Needle Vibrating Crank (right) with 200072c .....
247547	15085	Needle Vibrating Crank (left) with 200072c .....
200072c	15084	Needle Vibrating Crank Pinch Screw .....
247548	15077	Needle Vibrating Lever with 201141c and 201888 .....
247549	15077	Needle Vibrating Lever Pitman (2)
247550	15085	" " " " Connection (2) .....
200064F	15085	Needle Vibrating Lever Pitman Connection Screw (2) .....
247551	15077	Needle Vibrating Lever Pitman Guard with 200347c and 200363c
200347c	15082	Needle Vibrating Lever Pitman Guard Adjusting Screw .....

No.	Plate	Name
200363c	15080	Needle Vibrating Lever Pitman Guard Set Screw .....
247552	15085	Needle Vibrating Lever Pitman Swivel with 200110b (4) .....
200110b	15085	Needle Vibrating Lever Pitman Set Screw .....
201888	15085	Needle Vibrating Lever Roller ....
201141c	15085	" " " " Screw Stud .....
247568	15083	Needle Vibrating Lever Shaft .....
247569	15085	" " " " Bushing (back) .....
235601	15085	Needle Vibrating Lever Shaft Bushing (front) .....
247593	15080	Needle Vibrating Lever Shaft Collar with 200119f (3) .....
200119f	15080	Needle Vibrating Lever Shaft Collar Set Screw .....
206064	----	Needle Vibrating Lever Spring ....
203060	15082	" " " " Hook .....
247553	15086	" " Rock Shaft (left) .....
247554	----	" " " " " .....
		247553 with 232343 and 247558 ..
247555	15086	Needle Vibrating Rock Shaft (right) .....
247557	----	" " " " " .....
		247555 with 232343, 247556 and 247558 .....
247579	15086	Needle Vibrating Rock Shaft Bushing (4) .....
247556	15086	Needle Vibrating Rock Shaft (right) Collar .....
247558	15086	Needle Vibrating Rock Shaft Crank (left or right) .....
232343	15086	Needle Vibrating Rock Shaft Crank Position Pin .....
213838	15086	Piercer .....
247559	15077	" Bar .....
247560	----	" " 247559 with 221481 and 247561 .....
247561	15086	Piercer Bar Bushing (lower) .....
221481	15086	" " " (upper) .....
200342c	15086	" " " Set Screw (2) .....
213248	15086	" " Driving Cam with two 200362c .....
247592	15086	Piercer Bar Driving Cam Connection with 200057u and 200066d ..
247563	15063	Piercer Bar Driving Cam Connection Crank with 200070c .....
350274c	15063	Piercer Bar Driving Cam Connection Crank Hinge Screw .....

No.	Plate	Name
201520u	15081	Piercer Bar Driving Cam Connection Crank Hinge Screw Nut ...
200070c	15063	Piercer Bar Driving Cam Connection Crank Pinch Screw .....
200057u	15063	Piercer Bar Driving Cam Connection Pinch Screw .....
200066d	15054	Piercer Bar Driving Cam Connection Pinch Screw .....
213740	15063	Piercer Bar Driving Cam Retaining Washer .....
200128e	15063	Piercer Bar Driving Cam Retaining Washer Screw .....
200362c	15063	Piercer Bar Driving Cam Set Screw .....
213249	15063	" " Lifting Bracket with two 201052c .....
201052c	15063	Piercer Bar Lifting Bracket Set Screw .....
213804	15077	Piercer Bar Lifting Rock Shaft ....
215720	15063	" " " " " Bushing (2) .....
200043c	15082	Piercer Bar Lifting Rock Shaft Bushing Set Screw (2) .....
201524e	15063	Piercer Bar Lifting Rock Shaft Bushing Set Screw Nut (2) ....
204197	15063	Piercer Bar Lifting Rock Shaft Collar with 200113f .....
200113f	15080	Piercer Bar Lifting Rock Shaft Collar Set Screw .....
213255	15077	Piercer Bar Lifting Rock Shaft Crank with 201812, 205532 and 213804 .....
214004	----	Piercer Bar Lifting Rock Shaft Crank 213255 with 213249 .....
205532	15063	Piercer Bar Lifting Rock Shaft Crank Position Pin .....
201812	15063	Piercer Bar Lifting Rock Shaft Crank Roller and Stud .....
213389	15087	Piercer Holder with 200089d, 200117f and 225604 .....
213390	15087	Piercer Holder Bracket .....
213745	----	" " " 213390 with 213389 .....
200089d	15087	Piercer Holder Bracket Screw ....
200089d	15087	" " Clamp Screw .....
225604	15082	" " " " Washer .....
200117f	15082	" Set Screw .....
247684	15083	Presser Bar with 200074f .....
224391	15063	" " Bushing .....
200398c	15080	" " " Set Screw .....
247564	15063	" " Lifter .....

No.	Plate	Name
247565	15063	Presser Bar Lifting Lever with 200378c .....
200378c	15081	Presser Bar Lifting Lever Set Screw .....
244004	15063	Presser Bar Lifting Releasing Lever Bracket .....
206608	15063	Presser Bar Lifting Releasing Lever Bracket Spring .....
200260E	15063	Presser Bar Lifting Releasing Lever Bracket Guide Screw .....
233634	15065	Presser Bar Position Guide .....
202338	15065	" " " " Lever with 200086F .....
200086F	15065	Presser Bar Position Guide Lever Pinch Screw .....
200352c	15065	Presser Bar Position Guide Set Screw .....
247567	15065	Presser Bar Sleeve .....
247580	15065	" " Spring .....
234044	15065	" " " Stop Rod .....
200492B	15065	" "Thumb Screw (pressure regulating) .....
200475B	15065	Presser Bar Thumb Screw Thumb Set Screw .....
202355	15065	Presser Bar Thumb Screw Thumb Set Screw Packing (brass) (2)..
205979	15087	Presser Foot Hinge Pin .....
229734	14207	" " Plate (left) .....
229735	14207	" " " (right) .....
200074F	15087	" " Screw .....
207136	14207	" " Shank (left) (adjustable) .....
229789	—	Presser Foot Shank 207136 with 200175H, 205979, 207140 and 229734
207137	14207	Presser Foot Shank (right) (adjustable) .....
229790	—	Presser Foot Shank 207137 with 200175H, 205979, 207140 and 229735
207138	14207	Presser Foot Shank Bracket .....
200112H	15087	" " " Screw .....
228026	10884	" " " Washer ..
207140	15087	" " Spring .....
200175H	15087	" " " Screw .....
229736	14207	Presser Foot (hinged) (adjustable) complete, Nos. 207138, 229789, 229790, two each 200112H and 228026 .....
247570	15065	Take-up Lever .....
202399	15065	" " Driving Stud with 202277 .....

No.	Plate	Name
202277	—	Take-up Lever Driving Stud Oil Packing (wick) .....
202400	15065	Take-up Lever Hinge Stud with 202423 .....
202423	—	Take-up Lever Hinge Stud Oil Packing (wick) .....
200352c	15065	Take-up Lever Hinge Stud Set Screw .....
202401	—	Take-up Lever Oiling Felt .....
200132E	15065	" " " " Screw..
234086	15066	Tension Bracket with two each 200397H, 201224B and 236060 ....
234087	—	Tension Bracket complete, Nos. 200174H, 200978H, 201199F, 223703, 223706, 223707, 234086, 236098, two each 13710, 200309E, 204059, 204271, 223704, three 201572B and four 244007 .....
200159H	15066	Tension Bracket Screw .....
234047	15066	" " " Socket .....
200355H	15066	" " " " Set Screw .....
236098	15066	Tension Bracket Thread Guide (double) .....
200174H	15066	Tension Bracket Thread Guide Screw .....
244007	15066	Tension Disc .....
236060	15066	" " Position Pin .....
223703	15066	" Release Lever .....
247571	15066	" " " Rod .....
247572	15066	" " " Extension .....
200309E	15066	" " " Screw .....
223704	15066	" " Plunger .....
204271	15066	" " Washer .....
13710	15066	" Spring .....
201224B	15066	" Stud .....
201572	10881	" Thumb Nut .....
223706	15066	Thread Controller Disc .....
200978H	15066	" " " Screw .....
223707	15066	" " Spring .....
242117	15067	" " " Stop .....
200132E	15065	" " " " Screw..
201199F	15067	" " Stud with 204925..
201572B	10881	" " " Thumb Nut ..
200061c	15067	" " " Set Screw ....
204925	15067	" " " Washer .....
224028	15067	" Guide .....
210954	15067	" " .....
200582H	15067	" " Screw .....

No.	Plate	Name
204059	—	Thread Retainer complete, Nos. 202091, 202092 and 204058 .....
202091	15067	Thread Retainer Sleeve .....
202092	15067	" " Spring .....
204058	15067	" " Stud .....
200397H	15065	" " " Set Screw ....
212835	12284	Throat Plate with 200587D and 212870 .....
200161D	15086	Throat Plate Clamping Screw .....
212870	12284	" " Needle Guard .....
200587D	15086	" " " " Screw ..
203376	15086	" " Position Pin .....
200577H	15086	" " Screw .....
236051	15083	Vertical Shaft .....
235857	15080	" " Bevel Gear (lower) with 200374c and 200396c .....
236053	15067	Vertical Shaft Bevel Gear (upper) with 200374c and 200396c .....
200396c	15080	Vertical Shaft Bevel Gear Position Screw .....
200374c	15080	Vertical Shaft Bevel Gear Set Screw .....
236054	15083	" " Bushing (lower) ....
247573	15067	" " " (upper) .....
247574	15067	" " " " Oil Tube (brass) .....
247575	15067	Vertical Shaft Bushing (lower) Oil Tube (brass) .....
200346c	15080	Vertical Shaft Bushing Set Screw (2) .....
247576	15067	Vertical Shaft Driving Bevel Gear with 200378c and 200396c .....
200378c	15081	Vertical Shaft Driving Bevel Gear Set Screw .....
200396c	15080	Vertical Shaft Driving Bevel Gear Position Screw .....

## LIST OF PARTS COMPLETE

FOR

## MACHINE No. 119w7

For Hemstitching  $\frac{3}{8}$  in. Openings in Drawn Work

and Loosely Woven Fabrics for Table

Cloths, Towels, etc. Has

Forward Feed

No.	Plate	Name
*247501	—	Arm with 202135 and four 247579...
204235	15082	" Position Pin (2) .....
200010E	15082	" Screw (3) .....
202005	15082	" " Washer (3) .....
247502	15052	" Shaft with 200357E and 203100
237748	15053	" " Bushing (back) with 202299 .....
202299	—	Arm Shaft Bushing (back) Oil Packing (wick) .....
200071E	15082	Arm Shaft Bushing (back) Screw (3) .....
207080	15053	Arm Shaft Bushing (front) with 202244 .....
202244	—	Arm Shaft Bushing (front) Oil Packing (wick) .....
200502B	15082	Arm Shaft Bushing (front) Oil Packing Thumb Screw .....
200338c	15082	Arm Shaft Bushing (front) Set Screw .....
203100	—	Arm Shaft Oil Packing (wick) ...
200357E	15082	" " " " Stop Screw..
235505	15053	" Side Cover .....
732D	15082	" " " Screw .....
223842	15052	Balance Wheel (belt groove $2\frac{3}{8}$ in. diam.) with 200328c and 200335c
200062H	15082	Balance Wheel Adjusting Screw..
200328c	15082	" " Position Screw ....
200335c	15082	" " Set Screw .....
*247503	—	Bed with 203376 .....
247504	15056	" Slide (back) .....
223811	15082	" " " Stop .....
223812	15082	" " " Spring .....
224044	15053	" " (front) .....



No.	Plate	Name
203208	15054	Bobbin (2) .....
235769	15054	" Case Base with 202056, 203211 to 203213 and 203216 .....
203211	15054	Bobbin Case Base Latch .....
*202056	-----	" " " " Pin .....
203212	15054	" " " " Plunger ..
203213	15054	" " " " Spring ..
235770	15054	" " Cap with 200594c, 200984c and 235771 .....
236078	15054	Bobbin Case Lever .....
*203476	-----	" " " Eccentric .....
204243	15054	" " " Position Pin .....
235751	15054	Bobbin Case Lever Fulcrum .....
200066D	15054	" " " " Screw ..
203478	15054	" " " " Stud ..
235771	15054	" " Tension Spring .....
200984c	15054	" " " " Regulat- ing Screw .....
200594c	15054	Bobbin Case Tension Spring Screw
203216	-----	" " Washer (cloth) .....
235772	15054	Bobbin Case complete, Nos. 235769 and 235770 .....
247505	15053	Face Plate .....
202135	15080	" " Position Pin .....
200462B	15069	" " Thumb Screw .....
235697	15053	Feed Bar with 201535e, 204189 and 350219e .....
200641c	15081	Feed Bar Hinge Screw .....
201522E	15081	" " " " Nut .....
202276	15081	" " Slide Block .....
200205F	15082	" " " " Hinge Screw
201518E	15082	" " " " " "
		Nut .....
204443	15082	Feed Bar Spring .....
203060	15082	" " " Hook .....
204189	15080	" " " " .....
212832	12284	" Dog .....
200106E	15082	" " Screw (2) .....
350219E	15082	" " Support Screw .....
201535E	15082	" " " " Nut .....
247677	15056	" Driving Cam with two 200347c
200347c	15082	" " " Set Screw .....
247507	15056	" " Connection .....
235513	15082	" " Bearing .....
202298	15082	" " " Crank with 200038c .....
200038c	15082	Feed Driving Connection Crank Pinch Screw .....

No.	Plate	Name
201306c	15082	Feed Driving Connection Hinge Screw .....
201518E	15082	Feed Driving Connection Hinge Screw Nut .....
247508	15056	Feed Driving Rock Shaft .....
247509	-----	" " " " 247508 with 200641c, 201522E and 235697
235619	15082	Feed Driving Rock Shaft Center (2)
200043c	15082	" " " " " Set Screw (2) .....
247586	15056	Feed Driving Segment Lever with 201311c, 201531e, 201871, 235637 and 247511 .....
235637	15080	Feed Driving Segment Lever Pin..
201871	15080	" " " " Roller
201311c	15080	" " " " "
		Screw Stud .....
201531E	15080	Feed Driving Segment Lever Roller Screw Stud Nut .....
247511	-----	Feed Driving Segment Lever Shaft
247512	15080	" " " " "
		Bushing (left) .....
247513	15080	Feed Driving Segment Lever Shaft Bushing (right) .....
200346c	15080	Feed Driving Segment Lever Shaft Bushing Set Screw (2) .....
247593	15080	Feed Driving Segment Lever Shaft Collar with 200119f .....
200119f	15080	Feed Driving Segment Lever Shaft Collar Set Screw .....
247678	15058	Feed Lifting Cam and Gear, 54 teeth .....
200540b	15080	Feed Lifting Cam and Gear Cap Screw .....
222521	15080	Feed Lifting Cam and Gear Cap Screw Washer .....
247515	15058	Feed Lifting Cam and Gear Driving Pinion, 18 teeth, with two 200388c
200388c	15080	Feed Lifting Cam and Gear Driving Pinion Set Screw .....
247516	15058	Feed Lifting Cam and Gear Shaft (hollow) with 204110 and two 204111 .....
204110	-----	Feed Lifting Cam and Gear Shaft Oiling Leather .....
204111	-----	Feed Lifting Cam and Gear Shaft Oiling Leather Pin (leather) ...
200363c	15080	Feed Lifting Cam and Gear Shaft Set Screw (2) .....

No.	Plate	Name
247517	15058	Feed Lifting Connection .....
202298	15082	" " " Crank with 200038c .....
200038c	15082	Feed Lifting Connection Crank Pinch Screw .....
201306c	15082	Feed Lifting Connection Hinge Screw (2) .....
201518E	15082	Feed Lifting Connection Hinge Screw Nut (2) .....
247518	15058	Feed Lifting Lever .....
201871	15080	" " " Roller .....
201097c	15080	" " " " Screw Stud
201530E	15080	" " " " " "
		Nut .....
247519	15052	Feed Lifting Rock Shaft .....
235619	15082	" " " " Center (2)
200043c	15082	" " " " " Set Screw (2) .....
201309E	15080	Feed Regulating Screw Slide .....
201652E	15080	" " " " Nut ..
235524	15081	" " " " Washer
*247596	—	Hook (sewing) .....
247597	15080	" 247596 with 247599 and two 201253r .....
247598	—	Hook and Bobbin Case complete, Nos. 235772 and 247597 .....
236086	15080	Hook Driving Gear with 200383c and 200398c .....
247522	15052	Hook Driving Gear Guard .....
200034c	15080	" " " " Screw (2)
200398c	15080	" " " " Position Screw
200383c	15080	" " " " Set Screw .....
247523	15052	" " " Shaft .....
235857	15080	" " " " Bevel Gear with 200374c and 200396c .....
*235858	—	Hook Driving Shaft Bevel Gear Guard Section (back) .....
*235859	—	Hook Driving Shaft Bevel Gear Guard Section (front) .....
201405E	15080	Hook Driving Shaft Bevel Gear Guard Screw .....
235860	15056	Hook Driving Shaft Bevel Gear Guard complete, Nos. 201405E, 235858 and 235859 .....
200396c	15080	Hook Driving Shaft Bevel Gear Position Screw .....
200374c	15080	Hook Driving Shaft Bevel Gear Set Screw .....

No.	Plate	Name
247524	15058	Hook Driving Shaft Bushing (back)
247578	15058	" " " " (center or front) (2) .....
200346c	15080	Hook Driving Shaft Bushing Set Screw (3) .....
221743	15080	Hook Driving Shaft Collar with two 200380c .....
200380c	15080	Hook Driving Shaft Collar Set Screw .....
247599	15081	Hook Gib .....
201253r	15081	" " Screw .....
247525	15058	" Saddle (left or right) .....
200034c	15080	" " Screw (4) .....
235865	15081	" " " Washer (4) .....
247600	—	Hook Saddle (left or right) com- plete, Nos. 200066b, 200555a, 203478, 235751, 235866, 236078, 236088, 247525, 247598 and 247601 (2) .....
235866	15081	Hook Socket .....
236088	15081	" " Gear (spiral) with 200378c and 200383c (2) .....
200378c	15081	Hook Socket Gear Position Screw
200383c	15080	" " " " Set Screw .....
200555H	15081	" " Screw (2) .....
247601	15081	" Washer with 203476 and two 204243 .....
247663	—	Knee Lifter Bell Crank .....
247664	—	" " " " Bracket .....
247665	15058	" " " " " 247661 with 5601 and 247663 .....
178E	15081	Knee Lifter Bell Crank Bracket Screw (2) .....
5601	15081	Knee Lifter Bell Crank Hinge Pin
5735	15081	" " " " Spring .....
247528	15052	" " Lifting Lever .....
247529	15052	" " " " Connecting Rod with 202302 .....
202302	15081	Knee Lifter Lifting Lever Connect- ing Rod Cotter Pin .....
12416	15081	Knee Lifter Lifting Lever Connect- ing Rod Joint .....
350242H	15081	Knee Lifter Lifting Lever Connect- ing Rod Joint Hinge Screw .....
201520H	15081	Knee Lifter Lifting Lever Connect- ing Rod Joint Hinge Screw Nut
1521E	15081	Knee Lifter Lifting Lever Connect- ing Rod Lock Nut .....
206628	15081	Knee Lifter Lifting Lever Connect- ing Rod Spring .....

No.	Plate	Name
227625	15081	Knee Lifter Lifting Lever Connecting Rod Spring Collar with 200113F .....
200113F	15080	Knee Lifter Lifting Lever Connecting Rod Spring Collar Set Screw .....
200262H	15081	Knee Lifter Lifting Lever Hinge Screw .....
247531	15083	Needle Bar .....
247532	15084	" " Bushing (lower) .....
247533	15084	" " " (upper) .....
200338c	15082	" " " Set Screw (2) .....
202552	15084	" " Connecting Link .....
202333	15084	" " " " Stud with 202254 .....
202254	—	Needle Bar Connecting Link Stud Oil Packing (wick) .....
200374c	15080	Needle Bar Connecting Link Stud Set Screw .....
200383c	15080	Needle Bar Connecting Link Stud Set Screw .....
247534	15084	Needle Bar Connecting Stud with 200072c and 222598 .....
222598	—	Needle Bar Connecting Stud Oil Packing (wick) .....
200072c	15084	Needle Bar Connecting Stud Pinch Screw .....
201992	15084	Needle Bar Connecting Stud Roller .....
247535	15058	" " Crank with 200335c, 200374c, 200383c, 200428c and 202333 .....
203172	15084	Needle Bar Crank Friction Washer .....
200428c	15084	" " " Position Screw .....
200335c	15082	" " " Set Screw .....
213256	15084	" " Thread Guide .....
200076D	15063	" " " " Screw .....
201537H	15082	" " " " " Nut .....
213239	15082	" " " " " Washer .....
225604	15082	Needle Bar Thread Guide Screw Washer .....
200130F	15084	Needle Clamping Screw .....
247583	15084	" Holder (left) with two 200130F .....
247584	15084	Needle Holder (right) with two 200130F .....
247683	15087	Needle Holder Bracket with 201030F .....
247688	—	" " " 247683 with 200076D, 213239, 213256, 247583, 247584, two each 201183F, 350240c, three each 201537H and 225604 ..

No.	Plate	Name
201030F	15084	Needle Holder Bracket Screw .....
201183F	15084	" " Cap Screw .....
350240c	15084	" " Hinge Stud .....
201537H	15082	" " " " Nut .....
225604	15082	" " " " Washer .....
247541	15085	" Vibrating Bell Crank (left) .....
247542	15085	" " " " (right) .....
210932	15085	" " " " Hinge Stud with 210933 .....
210933	—	Needle Vibrating Bell Crank Hinge Stud Oil Packing (wick) .....
200347c	15082	Needle Vibrating Bell Crank Hinge Stud Set Screw .....
247543	15085	Needle Vibrating Bell Crank Link (2) .....
247679	15083	Needle Vibrating Cam with two 200382c .....
200382c	15085	Needle Vibrating Cam Set Screw .....
247682	15083	" " " Spacing Washer .....
247545	15085	Needle Vibrating Connection Rod (2) .....
200130F	15084	Needle Vibrating Connection Rod Clamping Screw .....
247577	15085	Needle Vibrating Connection Rod Swivel (2) .....
247546	15085	Needle Vibrating Crank (right) with 200072c .....
247547	15085	Needle Vibrating Crank (left) with 200072c .....
200072c	15084	Needle Vibrating Crank Pinch Screw .....
247548	15077	Needle Vibrating Lever with 201141c and 201888 .....
247549	15077	Needle Vibrating Lever Pitman (2) .....
247550	15085	" " " " Connection (2) .....
200064F	15085	Needle Vibrating Lever Pitman Connection Screw (2) .....
247551	15077	Needle Vibrating Lever Pitman Guard with 200347c and 200363c .....
200347c	15082	Needle Vibrating Lever Pitman Guard Adjusting Screw .....
200363c	15080	Needle Vibrating Lever Pitman Guard Set Screw .....
247552	15085	Needle Vibrating Lever Pitman Swivel with 200110D (4) .....
200110D	15085	Needle Vibrating Lever Pitman Set Screw .....

No.	Plate	Name
201888	15085	Needle Vibrating Lever Roller ....
201141c	15085	" " " " Screw Stud .....
247568	15083	Needle Vibrating Lever Shaft ....
247569	15085	" " " " Bushing (back) .....
235601	15085	Needle Vibrating Lever Shaft Bushing (front) .....
247593	15080	Needle Vibrating Lever Shaft Collar with 200119f (3) .....
200119f	15080	Needle Vibrating Lever Shaft Collar Set Screw .....
206064	---	Needle Vibrating Lever Spring ....
203060	15082	" " " " Hook
247553	15086	" " Rock Shaft (left)
247554	---	" " " " " " 247553 with 232343 and 247558 ..
247555	15086	Needle Vibrating Rock Shaft (right)
247557	---	" " " " " " 247555 with 232343, 247556 and 247558 .....
247579	15086	Needle Vibrating Rock Shaft Bushing (4) .....
247556	15086	Needle Vibrating Rock Shaft (right) Collar .....
247558	15086	Needle Vibrating Rock Shaft Crank (left or right) .....
232343	15086	Needle Vibrating Rock Shaft Crank Position Pin .....
213835	15087	Piercer .....
247559	15077	" Bar .....
247560	---	" " 247559 with 221481 and 247561 .....
247561	15086	Piercer Bar Bushing (lower) ....
221481	15086	" " " (upper) .....
200342c	15086	" " " Set Screw (2) .
213248	15086	" " Driving Cam with two 200362c .....
247592	15086	Piercer Bar Driving Cam Connection with 200057u and 200066b ..
247563	15063	Piercer Bar Driving Cam Connection Crank with 200070c .....
350274c	15063	Piercer Bar Driving Cam Connection Crank Hinge Screw .....
201520u	15081	Piercer Bar Driving Cam Connection Crank Hinge Screw Nut ....
200070c	15063	Piercer Bar Driving Cam Connection Crank Pinch Screw .....
200057u	15063	Piercer Bar Driving Cam Connection Pinch Screw .....

No.	Plate	Name
200066b	15054	Piercer Bar Driving Cam Connection Pinch Screw .....
213740	15063	Piercer Bar Driving Cam Retaining Washer .....
200128e	15063	Piercer Bar Driving Cam Retaining Washer Screw .....
200362c	15063	Piercer Bar Driving Cam Set Screw
213249	15063	" " Lifting Bracket with two 201052c .....
201052c	15063	Piercer Bar Lifting Bracket Set Screw .....
213804	15077	Piercer Bar Lifting Rock Shaft
215720	15063	" " " " " " Bushing (2) .....
200043c	15082	Piercer Bar Lifting Rock Shaft Bushing Set Screw (2) .....
201524e	15063	Piercer Bar Lifting Rock Shaft Bushing Set Screw Nut (2) ....
204197	15063	Piercer Bar Lifting Rock Shaft Collar with 200113f .....
200113f	15080	Piercer Bar Lifting Rock Shaft Collar Set Screw .....
213255	15077	Piercer Bar Lifting Rock Shaft Crank with 201812, 205532 and 213804 .....
214004	---	Piercer Bar Lifting Rock Shaft Crank 213255 with 213249 .....
205532	15063	Piercer Bar Lifting Rock Shaft Crank Position Pin .....
201812	15063	Piercer Bar Lifting Rock Shaft Crank Roller and Stud .....
213389	15087	Piercer Holder with 200089b, 200117f and 225604 .....
213390	15087	Piercer Holder Bracket .....
213745	---	" " " 213390 with 213389 .....
200089b	15087	Piercer Holder Bracket Screw ...
200089b	15087	" " Clamp Screw .....
225604	15082	" " " " Washer
200117f	15082	" Set Screw .....
247684	15083	Presser Bar with 200074f .....
224391	15063	" " Bushing .....
200398c	15080	" " " Set Screw .....
247564	15063	" " Lifter .....
247565	15063	" " Lifting Lever with 200378c .....
200378c	15081	Presser Bar Lifting Lever Set Screw .....
244004	15063	Presser Bar Lifting Releasing Lever Bracket .....

No.	Plate	Name
206608	15063	Presser Bar Lifting Releasing Lever Bracket Spring .....
200260E	15063	Presser Bar Lifting Releasing Lever Bracket Guide Screw ....
233634	15065	Presser Bar Position Guide .....
202338	15065	" " " " Lever with 200086F .....
200086F	15065	Presser Bar Position Guide Lever Pinch Screw .....
200352C	15065	Presser Bar Position Guide Set Screw .....
247567	15065	Presser Bar Sleeve .....
247580	15065	" " Spring .....
234044	15065	" " Stop Rod .....
200492B	15065	" " Thumb Screw (pres- sure regulating) .....
200475B	15065	Presser Bar Thumb Screw Thumb Set Screw .....
262355	15065	Presser Bar Thumb Screw Thumb Set Screw Packing (brass) (2)..
205979	15087	Presser Foot Hinge Pin .....
229738	15088	" " Plate (left) .....
229737	15088	" " (right) .....
200074F	15087	" " Screw .....
207136	14207	" " Shank (left) (adjust- able) .....
229787	---	Presser Foot Shank 207136 with 200175H, 205979, 207140 and 229738
207137	14207	Presser Foot Shank (right) (adjust- able) .....
229788	---	Presser Foot Shank 207137 with 200175H, 205979, 207140 and 229737
229740	15088	Presser Foot Shank Bracket .....
200112H	15087	" " " Screw .....
228026	10884	" " " Washer ..
207140	15087	" " Spring .....
200175H	15087	" " " Screw .....
229741	15088	Presser Foot (hinged) (adjustable) complete, Nos. 229740, 229787, 229788, two each 200112H and 228026 .....
247570	15065	Take-up Lever .....
202399	15065	" " Driving Stud with 202277 .....
202277	---	Take-up Lever Driving Stud Oil Packing (wick) .....
202400	15065	Take-up Lever Hinge Stud with 202423 .....
202423	---	Take-up Lever Hinge Stud Oil Packing (wick) .....

No.	Plate	Name
200352C	15065	Take-up Lever Hinge Stud Set Screw .....
202401	---	Take-up Lever Oiling Felt .....
200132E	15065	" " " " Screw ..
234086	15066	Tension Bracket with two each 200397H, 201224B and 236060 ....
234087	---	Tension Bracket complete, Nos. 200174H, 200978H, 201199F, 223703, 223706, 223707, 234086, 236098, two each 13710, 200309E, 204059, 204271, 223704, three 201572B and four 244007 .....
200159H	15066	Tension Bracket Screw .....
234047	15066	" " " Socket ...
200355H	15066	" " " " Set Screw .....
236098	15066	Tension Bracket Thread Guide (double) .....
200174H	15066	Tension Bracket Thread Guide Screw .....
244007	15066	Tension Disc .....
236060	15066	" " Position Pin .....
223703	15066	" Release Lever .....
247571	15066	" " " Rod .....
247572	15066	" " " " Extension
200309E	15066	" " " Screw .....
223704	15066	" " Plunger .....
204271	15066	" " Washer .....
13710	15066	" Spring .....
201224B	15066	" Stud .....
201572	10881	" Thumb Nut .....
223706	15066	Thread Controller Disc .....
200978H	15066	" " " Screw ....
223707	15066	" " Spring .....
242117	15067	" " " Stop .....
200132E	15065	" " " " Screw ..
201199F	15067	" " Stud with 204925 ..
201572B	10881	" " " Thumb Nut ..
200061C	15067	" " " Set Screw ....
204925	15067	" " " Washer .....
224028	15067	" Guide .....
210954	15067	" " .....
200582H	15067	" " Screw .....
204059	---	Thread Retainer complete, Nos. 202091, 202092 and 204058 .....
202091	15067	Thread Retainer Sleeve .....
202092	15067	" " Spring .....
204058	15067	" " Stud .....
200397H	15065	" " " Set Screw ....

No.	Plate	Name
212831	12284	Throat Plate .....
200161D	15086	" " Clamping Screw .....
203376	15086	" " Position Pin .....
200577H	15086	" " Screw .....
236051	15083	Vertical Shaft .....
235857	15080	" " Bevel Gear (lower) with 200374c and 200396c .....
236053	15067	Vertical Shaft Bevel Gear (upper) with 200374c and 200396c .....
200396c	15080	Vertical Shaft Bevel Gear Position Screw .....
200374c	15080	Vertical Shaft Bevel Gear Set Screw .....
236054	15083	Vertical Shaft Bushing (lower) ...
247573	15067	" " " (upper) .....
247574	15067	" " " " Oil Tube (brass) .....
247575	15067	Vertical Shaft Bushing (lower) Oil Tube (brass) .....
200346c	15080	Vertical Shaft Bushing Set Screw (2) .....
247576	15067	Vertical Shaft Driving Bevel Gear with 200378c and 200396c .....
200378c	15081	Vertical Shaft Driving Bevel Gear Set Screw .....
200396c	15080	Vertical Shaft Driving Bevel Gear Position Screw .....

## MACHINE No. 119w8

For Hemstitching  $\frac{1}{2}$  in. Openings in Drawn Work  
and Loosely Woven Fabrics for Table  
Cloths, Towels, etc. Has  
Forward Feed

Same as 119w7 with the following exceptions:

No.	Plate	Name
212834	12284	Feed Dog, in place of 212832 .....
213836	12284	Piercer, in place of 213835 .....
212833	12284	Throat Plate, in place of 212831 ..

## ACCESSORIES

FOR MACHINES NOS. 119w3 AND 119w4

No.	Plate	Name
234741	15082	Auxiliary Piercer .....
203208	15054	Bobbin (10) .....
*225482	—	“ Case Screw Driver Blade ...
*225483	—	“ “ “ “ Handle ..
225497	14383	Bobbin Case Screw Driver complete, Nos. 225482 and 225483 ...
213831	15086	Piercer (2) .....
234702	15068	Tweezers .....
225486	15068	Wrench .....
130x19	—	Needles, twelve, size 14 .....
228235	—	Drip Pan with four 1 in. wire nails
41400	14383	Machine Rest Pin (wood) .....
12361	15068	“ Hinge Connection (2) .....
120342	14383	Oiler with 120343 .....
120343	14383	“ Spout, 3½ in. long, for 120342
*225484	—	Screw Driver Blade .....
*225485	—	“ “ Handle .....
225498	14383	Screw Driver complete (7½ in. long), Nos. 225484 and 225485 ...
225554	14383	Wrench (steel) .....
10875	15068	“ .....

### BOBBIN WINDER

225453	10884	Frame with 202277 and 225438 ...
225454	10884	“ Hinge Pin .....
202277	—	“ Oil Packing (wick) .....
225438	10884	“ “ Well Cap .....
225455	10884	“ Spring .....
225456	10884	“ “ Plunger .....
202473	10885	Pulley with 200380c .....
200380c	15080	“ Set Screw .....
225381	10884	Spindle .....
225444	10884	Stop Latch .....
200056e	10884	“ “ Screw .....
225458	10884	“ “ Thumb Lever .....
225459	10884	“ “ “ “ Hinge Stud
225459	10884	“ “ “ “ Joint Stud
202478	10884	“ “ Trip Lever .....
200299ff	10884	“ “ “ “ Hinge Screw

No.	Plate	Name
225461	10881	Tension Bracket with 201499b ....
200082b	10881	“ “ Screw .....
228026	10884	“ “ “ Washer .....
2102	10881	“ Disc .....
202407	10881	“ Spring .....
201499b	10881	“ Stud .....
201572b	10881	“ “ Thumb Nut .....
225462	10881	Bobbin Winder Tension Bracket complete, Nos. 201572b, 202407, 225461 and two 2102 .....
225433	10885	Bobbin Winder and Tension Bracket Base .....
225382	10885	Universal Bobbin Winder complete, Nos. 200056e, 200082b, 200299ff, 202473, 202478, 225381, 225433, 225444, 225453 to 225456, 225458, 225462, 228026, two each 225459 and wood screws ¾ in., No. 12, R.H.B. ....

### KNEE LIFTER

2763	15052	Rock Shaft .....
7539	15052	“ “ Hanger with two wood screws 1 in., No. 10 .....
2765	15052	Rock Shaft Knee Arm .....
2768	—	“ “ “ “ 2765 with 2766 and 2767 .....
2766	15052	Rock Shaft Knee Arm Hub with 356c .....
356c	15069	Rock Shaft Knee Arm Hub Set Screw .....
2767	15052	Rock Shaft Knee Plate with 356c ...
356c	15069	“ “ “ “ Set Screw
6337	15052	“ “ Lifting Bracket with two 356c .....
2778	15052	Rock Shaft Lifting Bracket Hook
356c	15069	“ “ “ “ “ “ Set Screw .....
356c	15069	Rock Shaft Lifting Bracket Set Screw .....
2770	15052	Rock Shaft Stop Dog with 356c ...
356c	15069	“ “ “ “ Set Screw...
12250	15052	Knee Lifter Rock Shaft complete, Nos. 2763, 2768, 2778, 6337, two each 2770 and 7539 .....

## THREAD UNWINDER

No.	Plate	Name
225389	14083	Spool Rest (for one spool) with 201018c .....
225395	14083	Spool Rest (for two spools) with 201018c .....
225388	14083	Spool Rest Rod .....
200383c	15080	" " " Set Screw .....
201018c	15069	" " " Set Screw .....
202490	14083	" Stand with 200383c .....
225391	14083	Thread Guide .....
201696j	15069	" " Lock Nut .....
225392	14083	" " Rod with 208E and 225393 .....
208E	15069	Thread Guide Rod Screw .....
225393	15069	" " " Washer .....
225397	14083	Thread Unwinder (for three spools) complete, Nos. 201696j, 202490, 225388, 225389, 225392, 225395, three each 225391 and wood screws $\frac{3}{8}$ in., No. 12 .....

Parts used in connection with but not included  
in Thread Unwinder 225397

27739	----	Thread Cone (wood) .....
60913	14083	Spool Weight with 60914 .....
60914	---	" " Center Pin .....
225377	14083	" Wire, for small spools .....

## FOR MACHINE No. 119w6

Same as for No. 119w3 with the following exceptions:

234742	15053	Auxiliary Piercer, in place of 234741
213838	15086	Piercer (2), in place of 213831 ...

## FOR MACHINE No. 119w7

Same as for No. 119w3 with the following exceptions:

213835	15087	Piercer (2), in place of 213831 ... (234741 Auxiliary Piercer not used)
--------	-------	--

## FOR MACHINE No. 119w8

Same as for No. 119w3 with the following exceptions:

213836	15087	Piercer (2), in place of 213831 ... (234741 Auxiliary Piercer not used)
--------	-------	--

## BALANCE WHEELS

No.	Plate	Name
247587	15052	Balance Wheel, 5 in. diam., with 200328c and 200335c .....
200013u	15069	Balance Wheel Adjusting Screw ..
200328c	15082	" " Position Screw ....
204170	15052	" " Pulley (loose), $2\frac{1}{4}$ in. diameter .....
204341	15069	Balance Wheel Pulley Spring Washer .....
200335c	15082	Balance Wheel Set Screw .....
201569u	15069	" " Thumb Nut with 200609F .....
200609F	----	Balance Wheel Thumb Nut Stop Screw .....
202016	15069	Balance Wheel Thumb Nut Stop Washer .....
247588	----	Balance Wheel (belt groove $2\frac{3}{4}$ in. diam.) complete, Nos. 201569u, 202016, 204170, 204341 and 247587
247589	15052	Balance Wheel (heavy), 5 $\frac{1}{2}$ in. diam. (belt groove $2\frac{3}{4}$ in. diam.), with 200328c and 200335c .....

## CORD HOLDER

247581	15064	Cord Holder .....
200996c	15069	" " Screw .....



## PIERCERS

### FOR MACHINES NOS. 119w3 AND 119w4

No.	Plate	Name
234740	15087	Auxiliary Piercer .....
234741	15082	" " .....
234742	15082	" " .....
213830	15087	Piercer .....
213831	15086	" .....

Note. Above Piercers are made for 8 stitches to the inch.

### FOR MACHINE No. 119w6

234742	15082	Auxiliary Piercer .....
234743	—	" " .....
234744	—	" " .....
213837	—	Piercer .....
213838	—	" .....
214021	—	" .....
214059	—	" .....

Note. Above Piercers are made for 8 stitches to the inch.

### FOR MACHINE No. 119w7

213835	15087	Piercer .....
--------	-------	---------------

Note. No. 213835 is made for 10 stitches to the inch.

### FOR MACHINE No. 119w8

213836	15087	Piercer .....
--------	-------	---------------

Note. No. 213836 is made for 9 stitches to the inch.

## HEMMERS

No.	Plate	Name
230192	11649	Hemmer on Shank, for hems $\frac{1}{4}$ to $\frac{1}{2}$ inch .....

Note. State width required on order.

### HEMMER (REVERSE)

230190	11649	Hemmer on Shank, for hems $\frac{1}{4}$ to $\frac{1}{2}$ inch .....
--------	-------	---

Note. State width required on order.

### HEMMER

(Right Hand)

Folds  $\frac{5}{16}$  in. Hem

230940	14606	Base Plate with 225706 .....
225706	15069	" " Position Pin .....
200246B	15069	" " Screw .....
201525E	15069	" " " Nut .....
225708	15069	" " Spring .....
230713	11650	Folder on Shank .....
200187B	15069	" " " Screw .....
230484	15069	" " " " Washer .....
230714	11651	Tongue with two 200133B .....
200133B	15069	" Screw .....
230711	11652	Hemmer complete, Nos. 200246B, 201525E, 225708, 230484, 230713, 230714, 230940 and two 200187B..

### HEMMER

(Right Hand)

Folds  $\frac{3}{8}$  in. Hem

230940	14606	Base Plate with 225706 .....
225706	15069	" " Position Pin .....
200246B	15069	" " Screw .....
201525E	15069	" " " Nut .....
225708	15069	" " Spring .....
230715	11650	Folder on Shank .....
200187B	15069	" " " Screw .....
230484	15069	" " " " Washer .....

No.	Plate	Name
230716	11651	Tongue with two 200103D .....
200103D	15069	" Screw .....
230712	11652	Hemmer complete, Nos. 200246B, 201525E, 225708, 230484, 230715, 230716, 230940 and two 200187B..

## HEMMER

(Right Hand) (Small Opening)

Folds Hems from  $\frac{3}{32}$ ,  $\frac{3}{16}$  and  $\frac{1}{4}$  in. Hems

Note. State width of hem required.

230940	14606	Base Plate with 225706 .....
225706	15069	" " Position Pin .....
200246B	15069	" " Screw .....
201525E	15069	" " " Nut .....
225708	15069	" " Spring .....
230532	14608	Folder on Shank .....
200187B	15069	" " " Screw .....
230484	15069	" " " " Washer .....
230533	14608	Tongue with two 200133B .....
200133B	15069	" Screw .....
230535	14609	Hemmer complete, Nos. 200246B, 201525E, 225708, 230484, 230532, 230533, 230940 and two 200187B..

## HEMMER

(Right Hand)

Folds Hems from  $\frac{1}{16}$  to  $2\frac{1}{2}$  in., in steps of  $\frac{1}{16}$  inch

Note. State width of hem required.

230940	14606	Base Plate with 225706 .....
225706	15069	" " Position Pin .....
200246B	15069	" " Screw .....
201525E	15069	" " " Nut .....
225708	15069	" " Spring .....
230540	11650	Folder on Shank .....
200187B	15069	" " " Screw .....
230484	15069	" " " " Washer .....
230539	11651	Tongue with two 200103D .....
200103D	15069	" Screw .....
230542	14609	Hemmer complete, Nos. 200246B, 201525E, 225708, 230484, 230539, 230540, 230940 and two 200187B..

## HEMMER REVERSE)

(Right Hand)

Folds Hems from  $\frac{1}{4}$  to  $2\frac{3}{4}$  in., in steps of  $\frac{1}{16}$  inch

Note. State width of hem required.

No.	Plate	Name
230756	11651	Base Plate with 225706 .....
225706	15069	" " Position Pin .....
200246B	15069	" " Screw .....
201525E	15069	" " " Nut .....
225708	15069	" " Spring .....
230537	14608	Folder on Shank .....
200187B	15069	" " " Screw .....
230484	15069	" " " " Washer .....
230536	14608	Tongue with two 200103D .....
200103D	15069	" Screw .....
230538	11652	Hemmer (reverse) complete, Nos. 200246B, 201525E, 225708, 230484, 230536, 230537, 230756 and two 200187B .....

## HEMMER (ADJUSTABLE)

(Right Hand)

Folds Hems from  $\frac{1}{2}$  to  $2\frac{1}{4}$  inches.

230940	14606	Base Plate with 225706 .....
225706	15069	" " Position Pin .....
200246B	15069	" " Screw .....
201525E	15069	" " " Nut .....
225708	15069	" " Spring .....
230519	14606	Bracket (lower) with two 200078D
200158B	15069	" " Screw .....
230484	15069	" " Washer .....
230521	14606	" (upper) with 200462B and two 200160B .....
200078D	15069	Bracket (upper) Screw .....
230518	14606	Folder Arm and Guard (left) .....
200160B	15069	" " " " Screw .....
230520	14606	" and Arm (right) .....
200462B	15069	" " " " Adjustable Thumb Screw .....
226163	15069	Folder and Arm (right) Adjustable Thumb Screw Washer .....
230523	14606	Tongue (left) with two 200164B ...
200164B	15069	" " Screw .....
230522	14606	" (right) with two 200164B ...
200164B	15069	" " Screw .....

## Hemmers

No.	Plate	Name
230525	14609	Hemmer (adjustable) complete, Nos. 200246B, 201525E, 225708, 226163, 230484, 230518 to 230523, 230940 and two 200158B .....

## HEMMER (REVERSE) (ADJUSTABLE)

(Right Hand)

Folds Hems from  $\frac{1}{2}$  to  $2\frac{1}{2}$  inches

230529	14607	Base Plate with 225706 .....
225706	15069	" " Position Pin .....
200246B	15069	" " Screw .....
201525E	15069	" " " Nut .....
225708	15069	" " Spring .....
230528	14607	Folder Arm and Guard (left) with two 200155F .....
200187B	15069	Folder Arm and Guard (left) Screw
230484	15069	" " " " " " Washer .....
230526	14607	Folder and Arm (right) with two 200155F .....
200469B	15069	Folder and Arm (right) Adjustable Thumb Screw .....
226163	15069	Folder and Arm (right) Adjustable Thumb Screw Washer .....
230530	14607	Tongue (left) .....
230527	14607	" (right) .....
200155F	15069	" Screw .....
230531	14609	Hemmer (reverse) (adjustable) complete, Nos. 200246B, 200469B, 201525E, 225708, 226163, 230484, 230526 to 230530 and two 200187B

## HEMMER (ADJUSTABLE)

(Left Hand)

Folds Hems from  $\frac{1}{2}$  to  $2\frac{1}{2}$  inches

230516	14605	Base Plate with 225706 .....
225706	15069	" " Position Pin .....
200246B	15069	" " Screw .....
201525E	15069	" " " Nut .....
225708	15069	" " Spring .....
230515	14605	Bracket (lower) with two 200078B
200158B	15069	" " Screw .....
230484	15069	" " Washer .....

## Hemmers

No.	Plate	Name
230514	14605	Bracket (upper) with 200462B and two 200160B .....
200078B	15069	Bracket (upper) Screw .....
230510	14605	Folder Arm and Guard (right) ....
200160B	15069	" " " " Screw .....
230511	14605	" and Arm (left) .....
200462B	15069	" " " " Adjustable Thumb Screw .....
226163	15069	Folder and Arm (left) Adjustable Thumb Screw Washer .....
230512	14605	Tongue (left) with two 200164B ..
200164B	15069	" " Screw .....
230513	14605	" (right) with two 200164B ...
200164B	15069	" " Screw .....
230517	14609	Hemmer (adjustable) (left hand) complete, Nos. 200246B, 201525E, 225708, 226163, 230484, 230510 to 230516 and two 200158B .....

**BOX PLAITER**

(ADJUSTABLE)

230001	14526	Base Plate .....
230002	14526	" " Arm Bracket with two 200344c .....
200344c	14527	Base Plate Arm Bracket Adjusting Screw .....
200048B	14527	Base Plate Arm Bracket Screw ...
230003	14526	" " Cloth Guide (left) .....
230004	14526	" " " " (right) .....
200169B	14527	" " " " Screw .....
230005	14527	Folder Blade (left) (adjustable) ..
230006	14527	" " (right) (adjustable) ..
230007	14526	" " Plate .....
200344c	14527	" " " Adjusting Screw .....
200053B	14527	" " " Screw .....
200169B	14527	" " Screw .....
230008	14527	Presser Foot .....
230009	14528	Space Gauge (left) .....
230010	14528	" " (right) .....
230011	14528	" " Adjustable Slide (left) .....
230012	—	" " " " 230011 with 200176B, 200186B, 202603 and 230009 .....
230013	14528	Space Gauge Adjustable Slide (right) .....
230014	14529	Space Gauge Adjustable Slide 230013 with 200176B, 200186B, 202603 and 230010 .....
200186B	14527	Space Gauge Screw (long) .....
202603	14527	" " " " Washer .....
200176B	14527	" " " (short) .....
200472B	14527	" " Thumb Screw .....
202603	14527	" " " " Washer .....
230015	14529	Box Plaiter (adjustable) complete, Nos. 200472B, 202603, 230001 to 230008, 230012, 230014, two 200053B, four 200169B and five 200048B .....

**LAP SEAM FELLER**

(ADJUSTABLE)

For Joining Lace to Cloth or Two Pieces of  
Cloth with Double Hemstitch

No.	Plate	Name
230258	14581	Folder on Shank (left) .....
230259	14581	" " " (right) .....
230260	14581	" Base Plate .....
200157B	15069	" " " Screw .....
200170B	15069	" Screw .....
230261	14581	Lap Seam Feller (adjustable) com- plete, Nos. 230258 to 230260 and two 200170B .....

**PICOT EDGE CUTTING DEVICE**

247645	15064	Face Plate .....
234719	15070	Blade (lower) .....
350124c	13427	" " Position Screw Stud .....
201634D	13127	" " " " " " Thumb Nut .....
202603	14527	Blade (lower) Position Screw Stud Washer .....
234720	15070	Blade (upper) .....
247646	15064	" Arm .....
247647	15064	" " Bracket with 200036D ...
200036D	15070	" " " Pinch Screw .....
247648	15064	" " " Support .....
200029E	15070	" " " " Screw .....
200064F	15085	" " Screw .....
234735	15070	" " Shim .....
234724	15070	" Hinge Stud .....

No.	Plate	Name
200162b	13427	Blade Hinge Stud Cap Screw .....
247649	15064	" Operating Connection .....
350125f	13427	" " " Hinge Screw (lower) .....
201319c	13427	Blade Operating Connection Hinge Screw (upper) .....
234726	15070	Blade Operating Lever .....
350126c	13427	" " " Screw .....
201706c	13427	" " " Nut ..
221486	13427	" Spring .....
247644	—	Picot Edge Cutting Device complete, Nos. 200162b, 201319c, 201634b, 201706c, 202603, 221486, 234719, 234720, 234724, 234726, 247646 to 247649, 350124c, 350125f, 350126c, two each 200029f, 200064f and 234735 .....
200436f	15065	Presser Foot Adjusting Screw ....
221479	15065	" " Hinge Pin .....
229685	15065	" " " Stud .....
200397h	15065	" " " Set Screw .....
234729	—	" " Plate (left) .....
234730	—	" " " (right) .....
234736	—	" " Shank (left) with 200086f, 200397h and 200436f ...
234731	13427	Presser Foot Shank 234736 with 221479 and 234729 .....
229796	—	Presser Foot Shank (right) with 200086f .....
234732	13427	Presser Foot Shank 229796 with 221479 and 234730 .....
200086f	15065	Presser Foot Shank (right) Set Screw .....
234733	13427	Presser Foot (hinged) complete, Nos. 229685, 234731 and 234732 ..
247650	—	Picot Edge Cutting Device and Presser Foot complete, Nos. 234733, 247644 and 247645 .....

## PLATE 10881—FULL SIZE

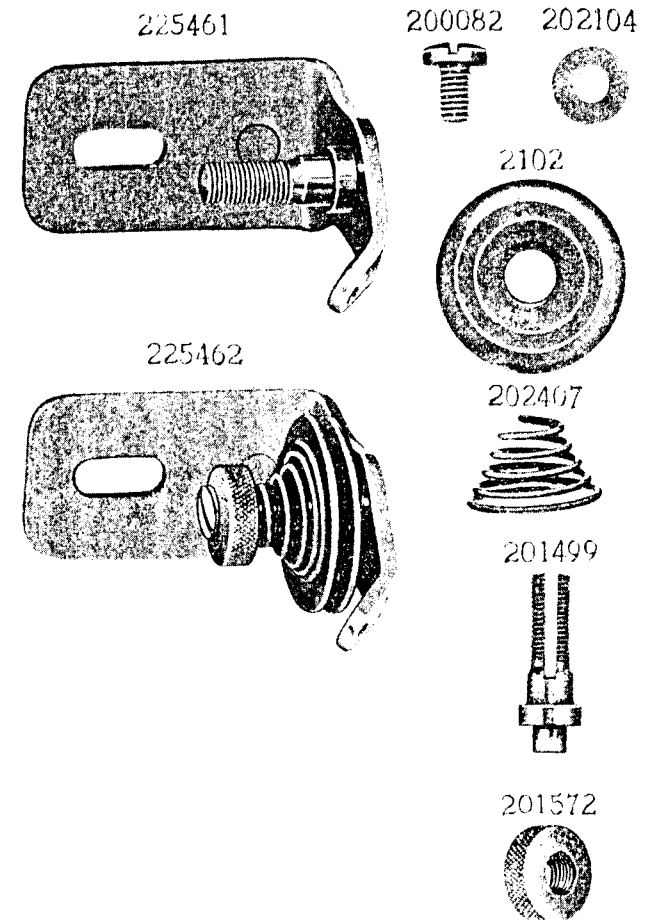


PLATE 10884—FULL SIZE

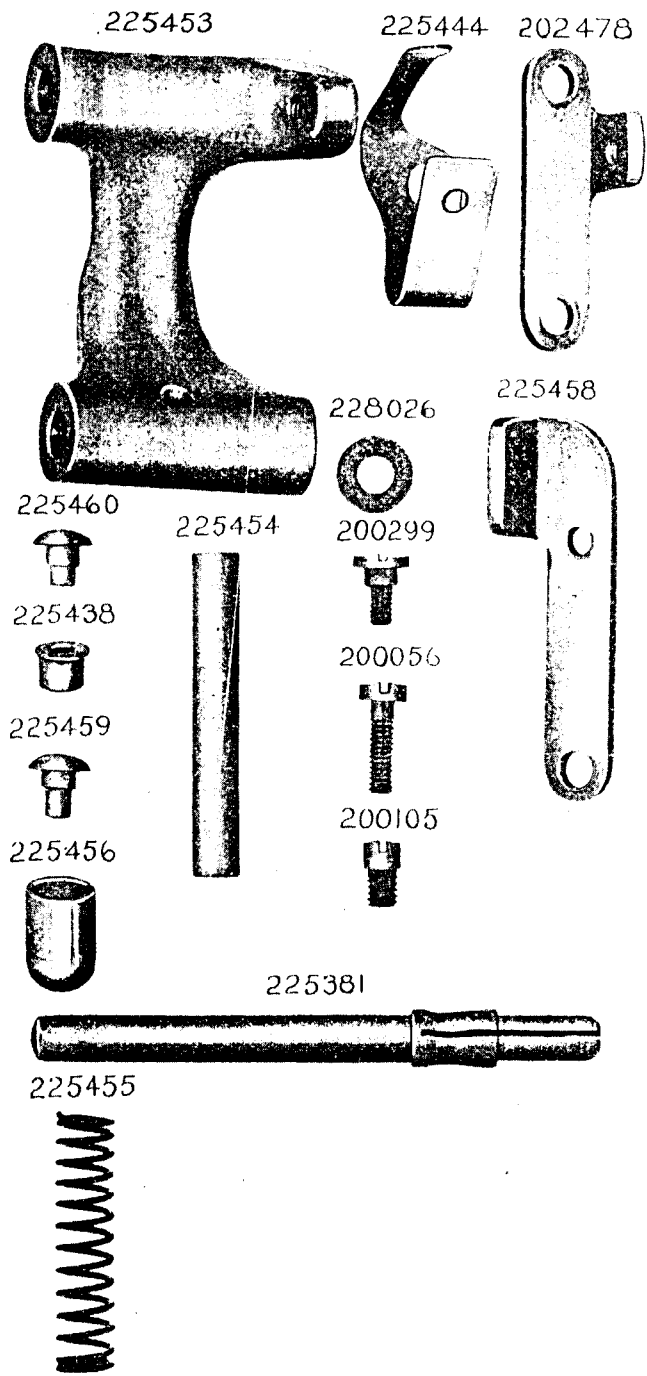


PLATE 10885—ONE-FOURTH SIZE

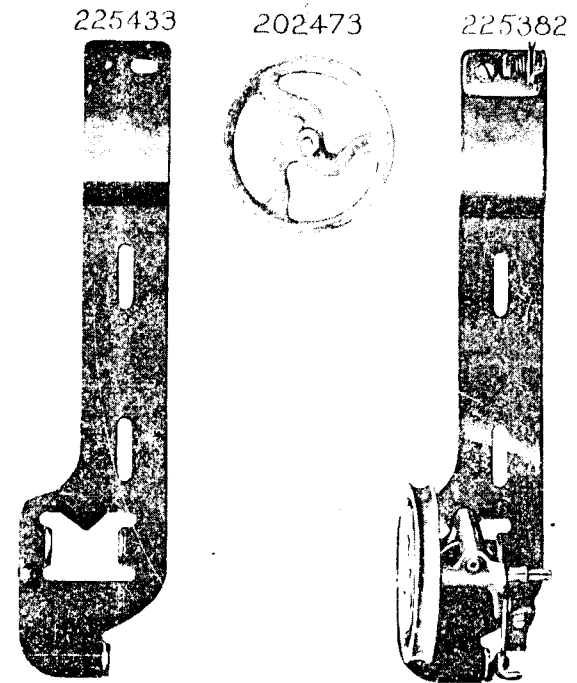
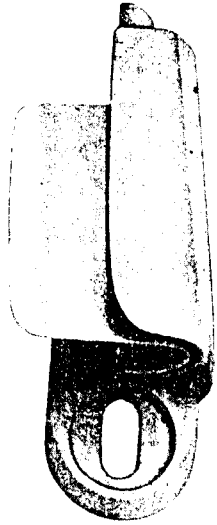


PLATE 11649—FULL SIZE

230190



230192

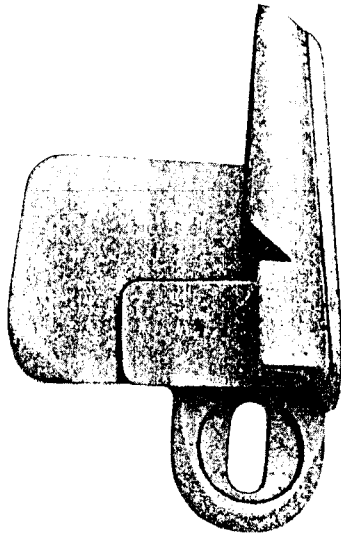
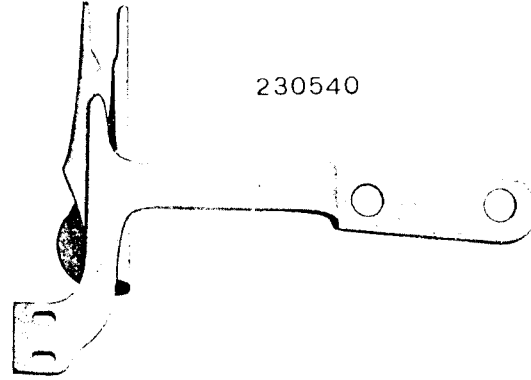
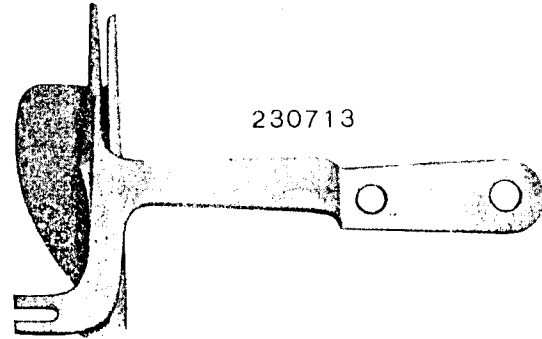


PLATE 11650—ONE-HALF SIZE

230540



230713



230715

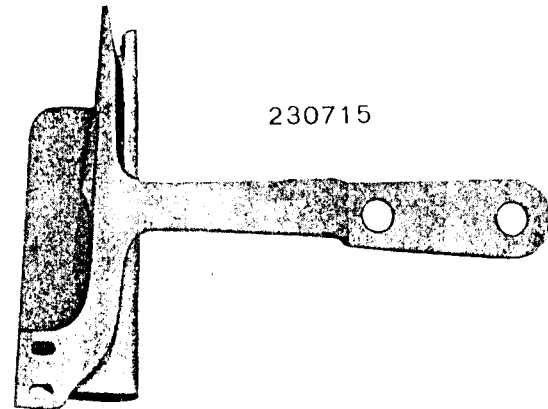


PLATE 11651 ONE-HALF SIZE

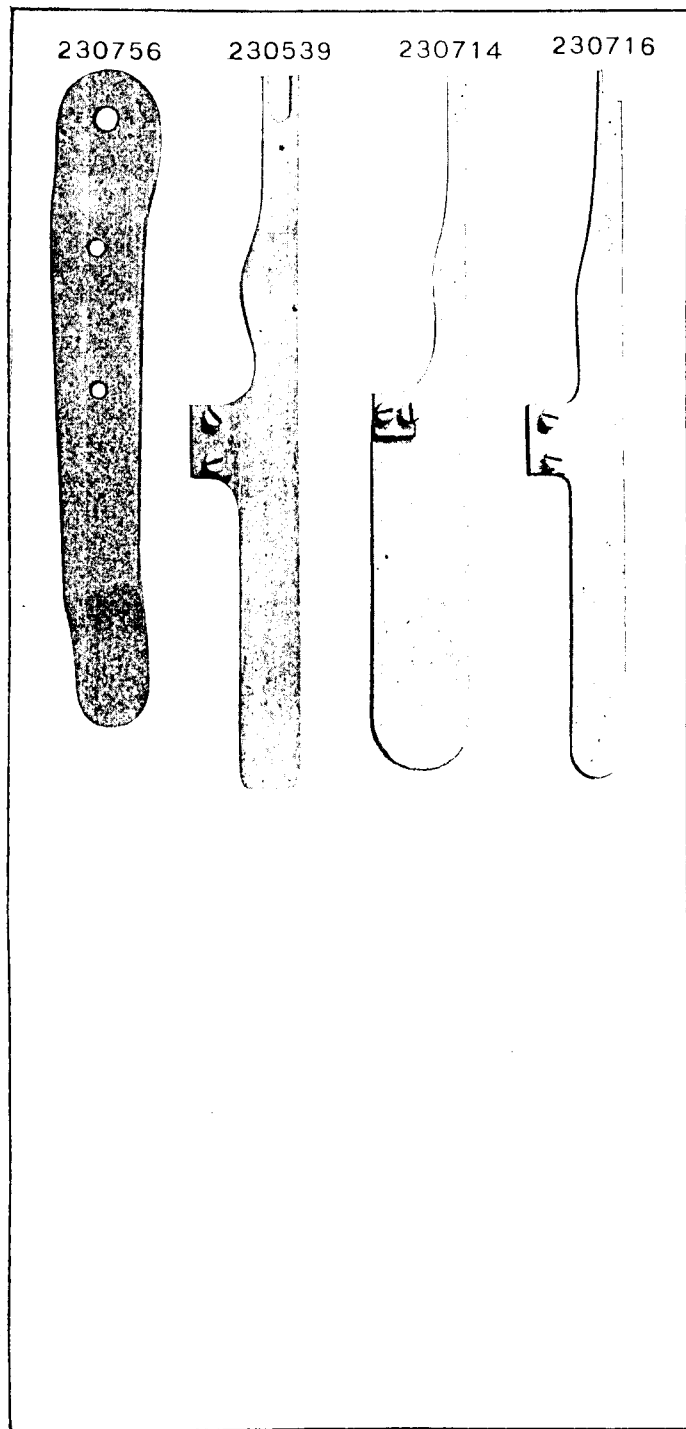


PLATE 11652 ONE-FOURTH SIZE

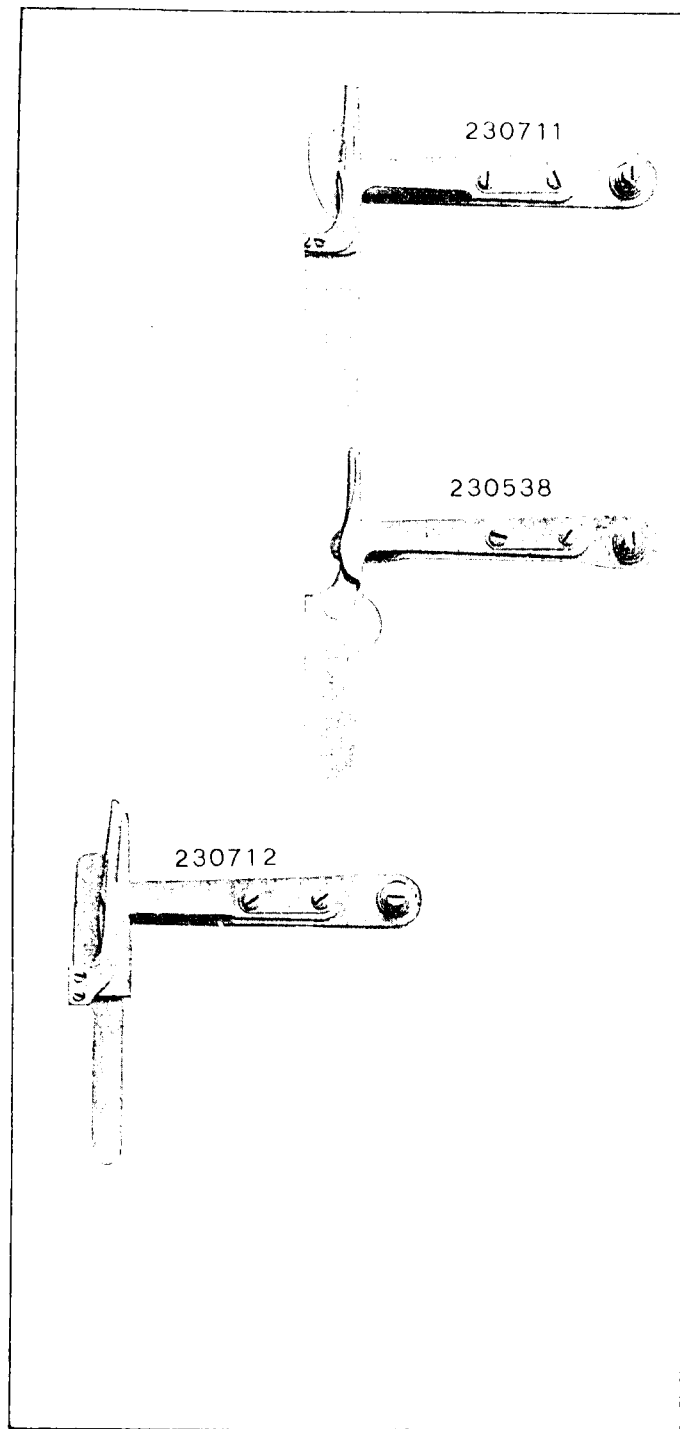




PLATE 12284—FULL SIZE

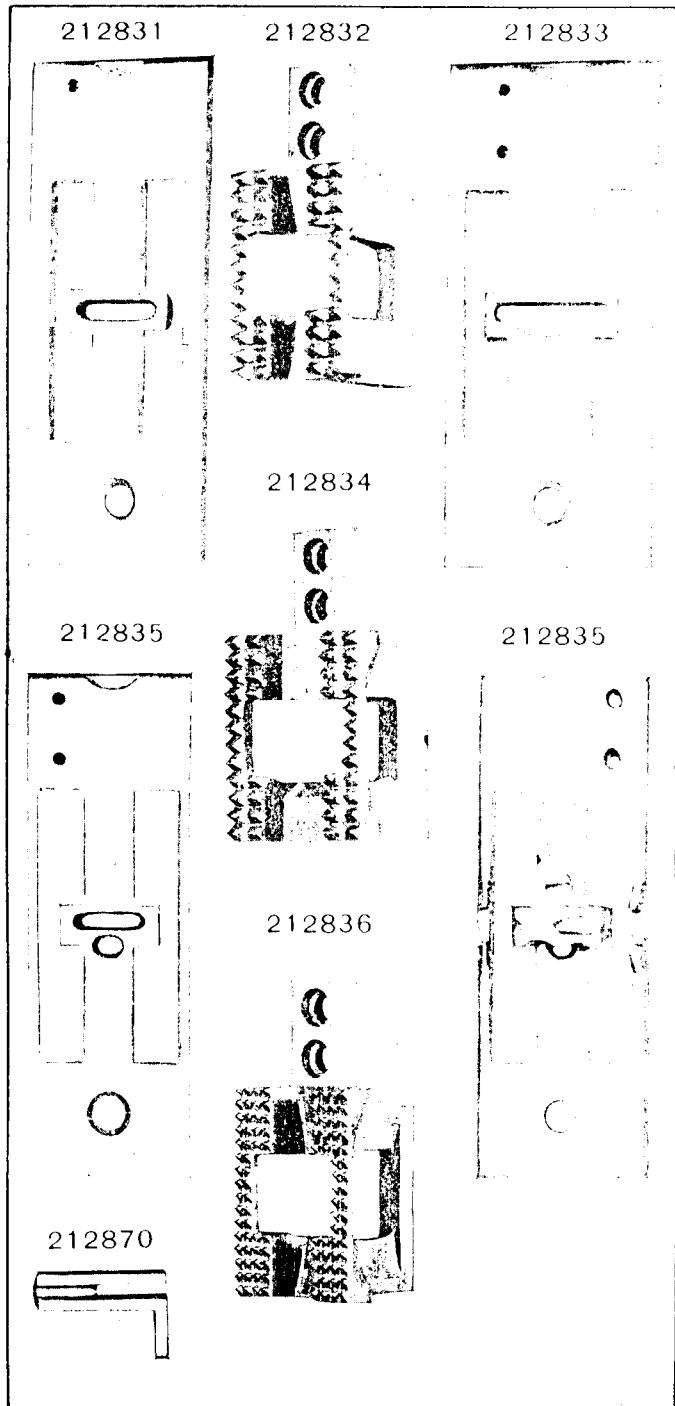


PLATE 13427—FULL SIZE

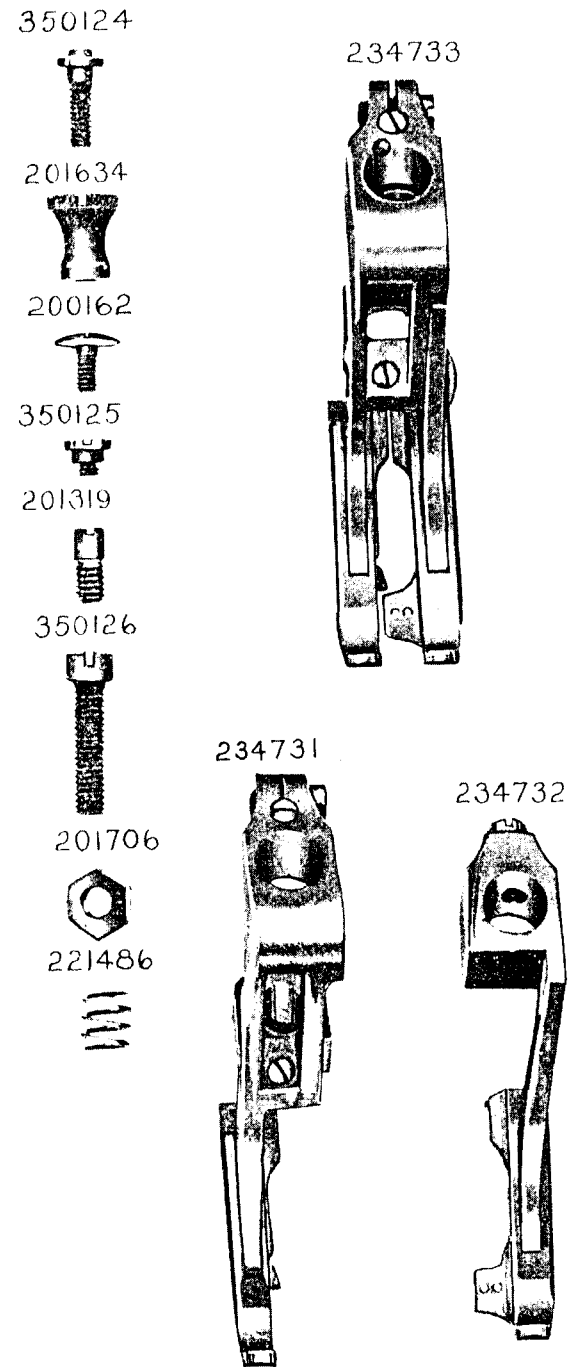


PLATE 14083—ONE-SIXTH SIZE

225377

60913



225397

225391

225391

225391

225392

225388

225395

225389

202490

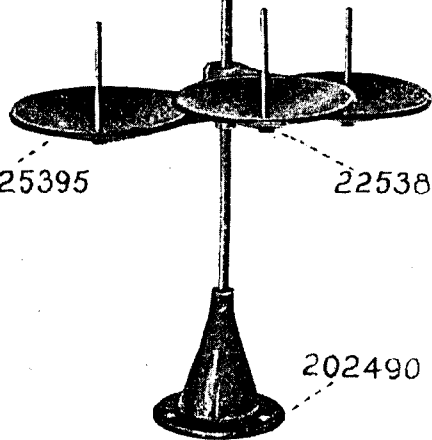
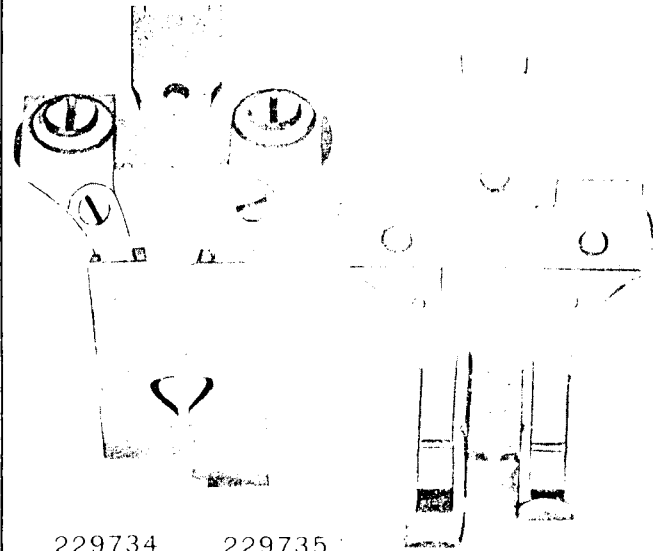


PLATE 14207—FULL SIZE

229736

229736



229734

229735

207138



207137

207136



PLATE 14383—ONE-HALF SIZE

225497



225498

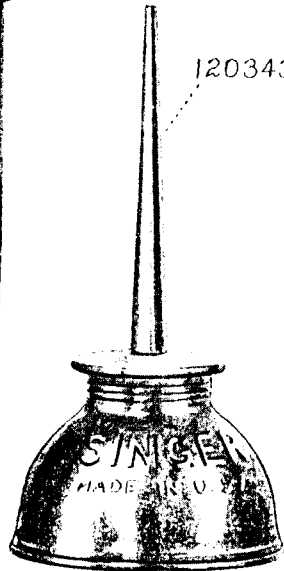


41400



120342

120343



225554



PLATE 14526—ONE-HALF SIZE

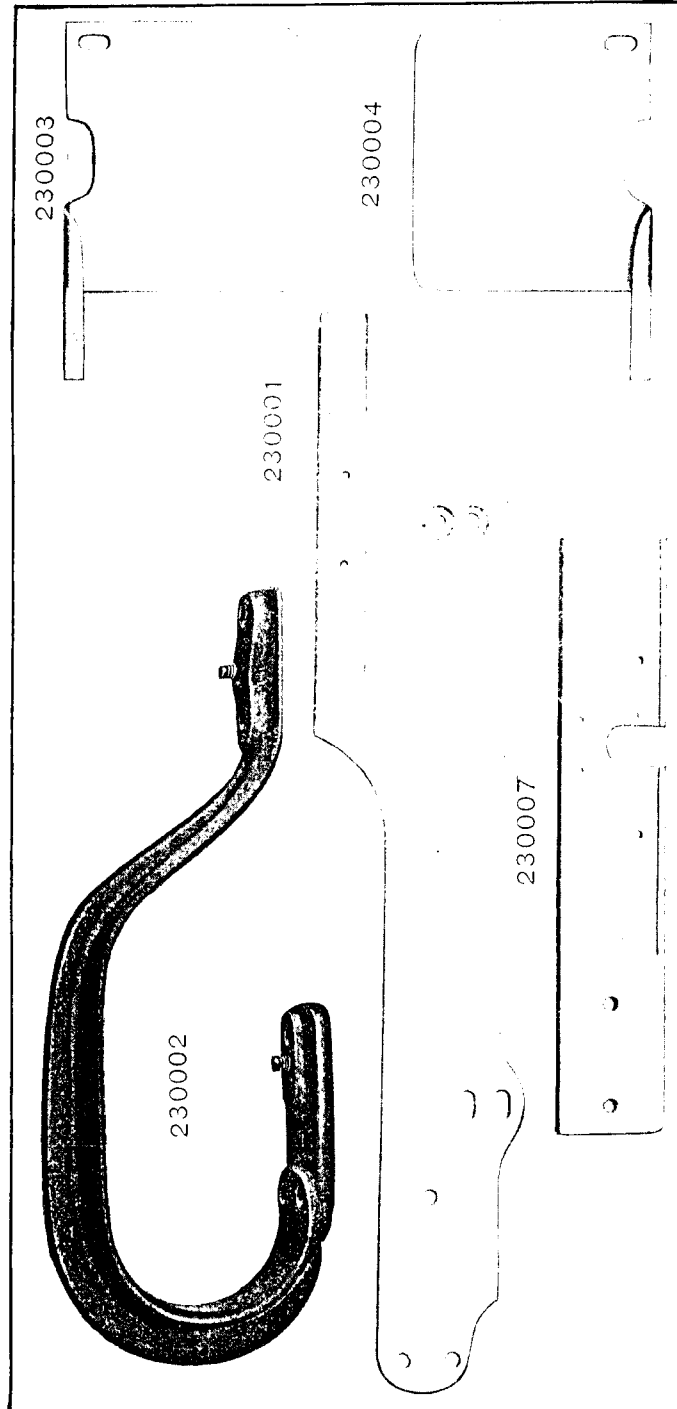


PLATE 14527—FULL SIZE

200048



200053



200472



200344



200169



200186



200176



230008



202603



230005



230006

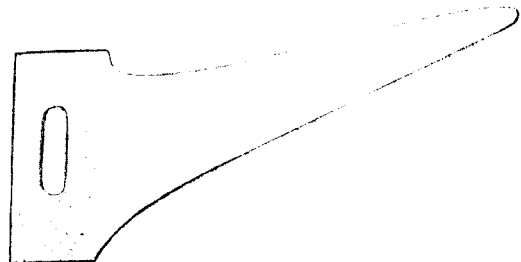
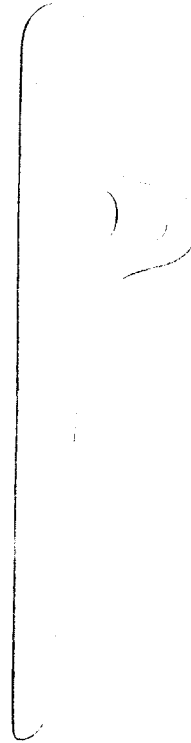
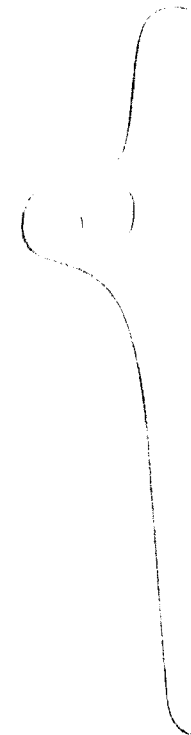


PLATE 14528—FULL SIZE

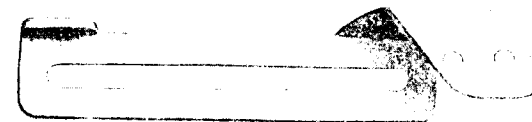
230010



230009



230013



230011

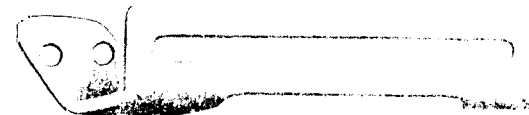


PLATE 14529—ONE-HALF SIZE

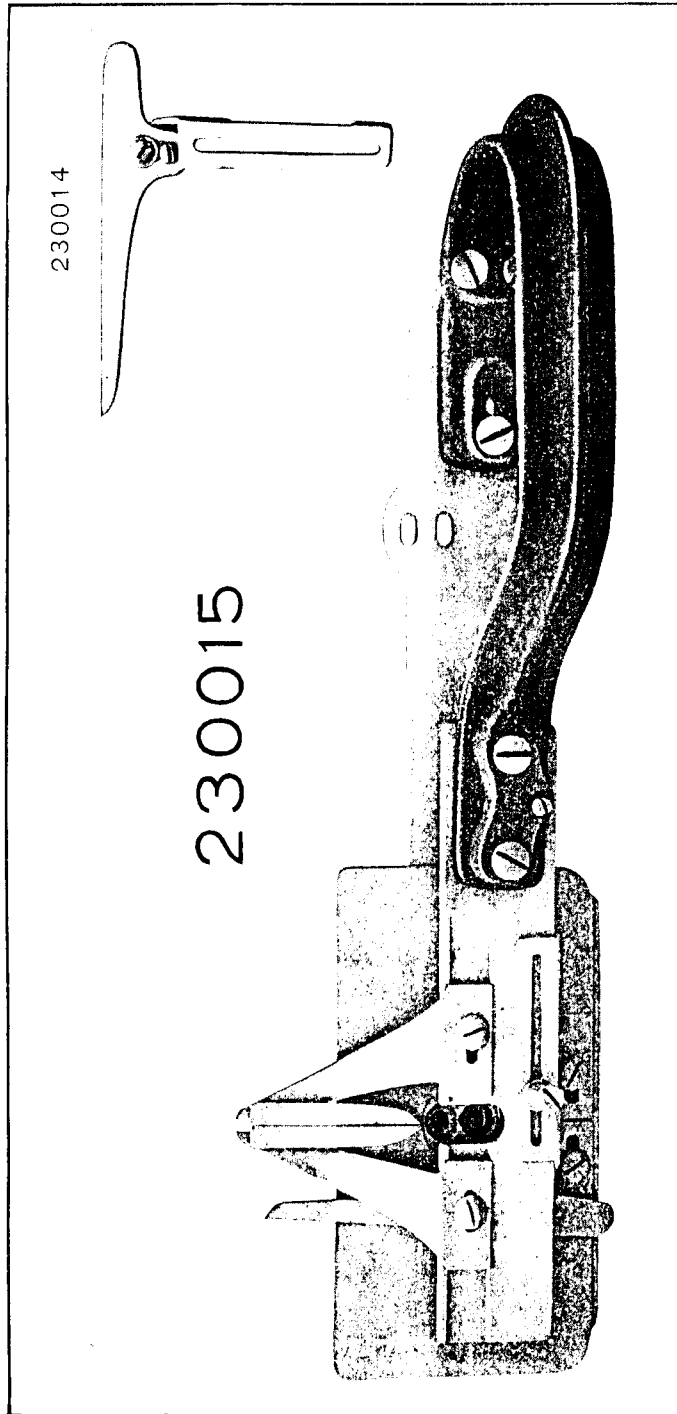


PLATE 14581—FULL SIZE

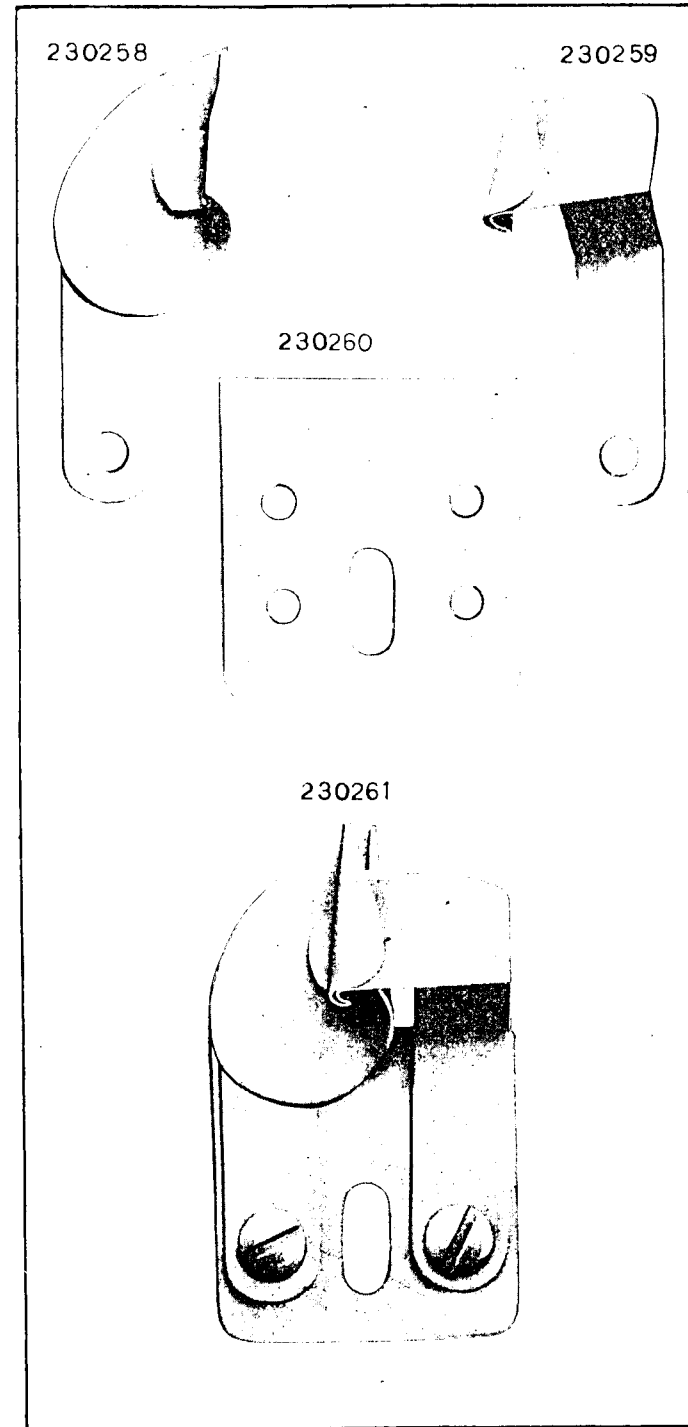


PLATE 14605 - ONE-HALF SIZE

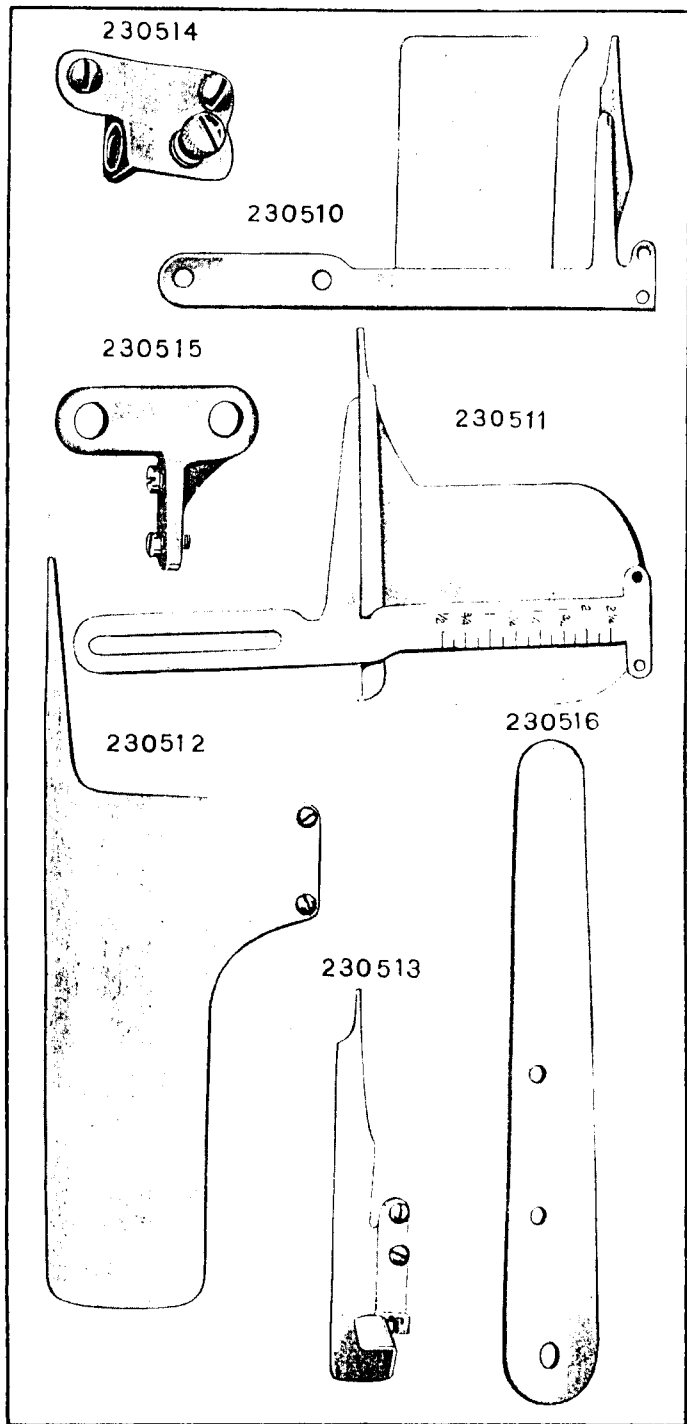


PLATE 14606 - ONE-HALF SIZE

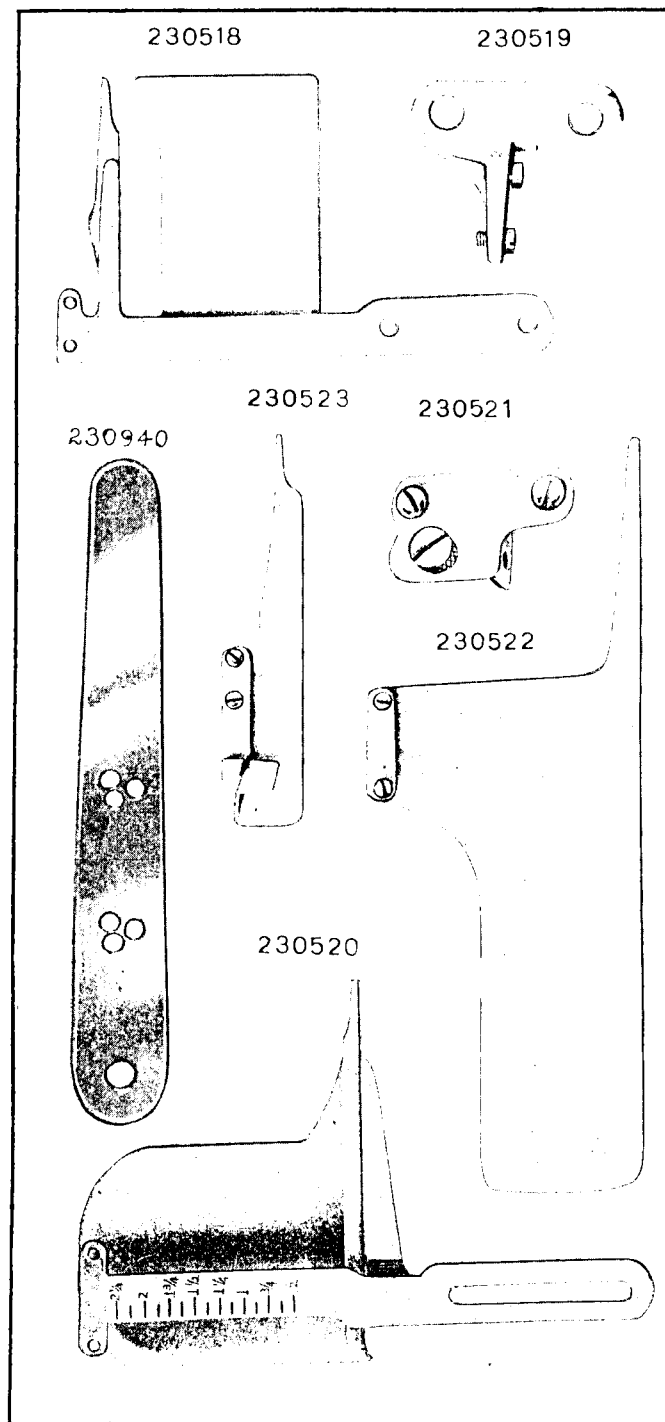


PLATE 14607--ONE-HALF SIZE

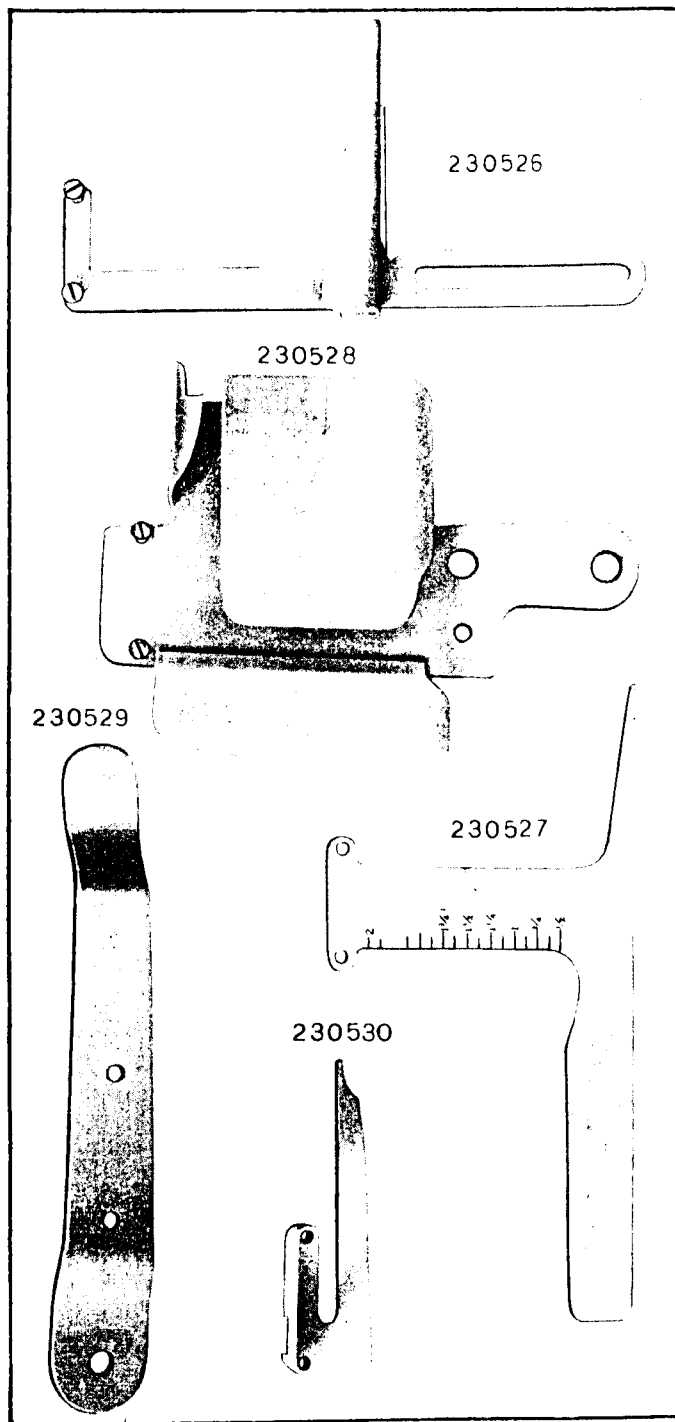


PLATE 14608--ONE-HALF SIZE

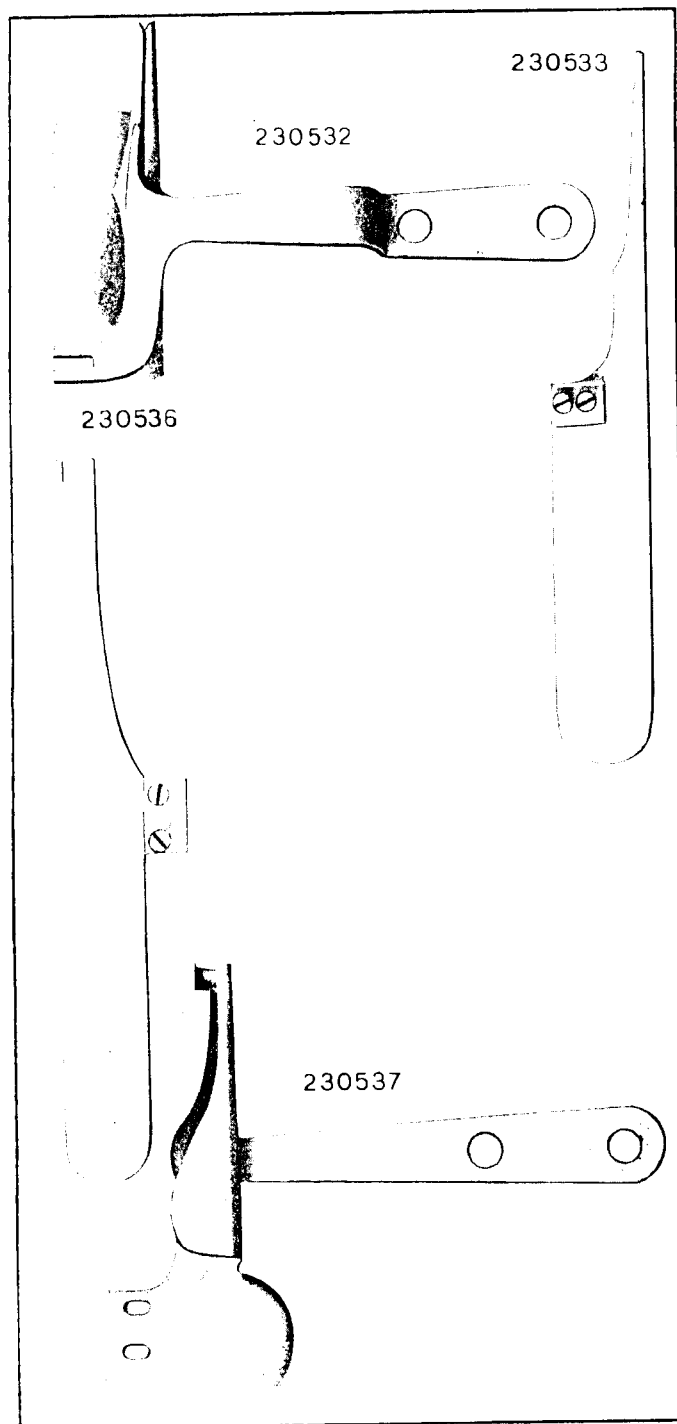


PLATE 14609—ONE-FOURTH SIZE

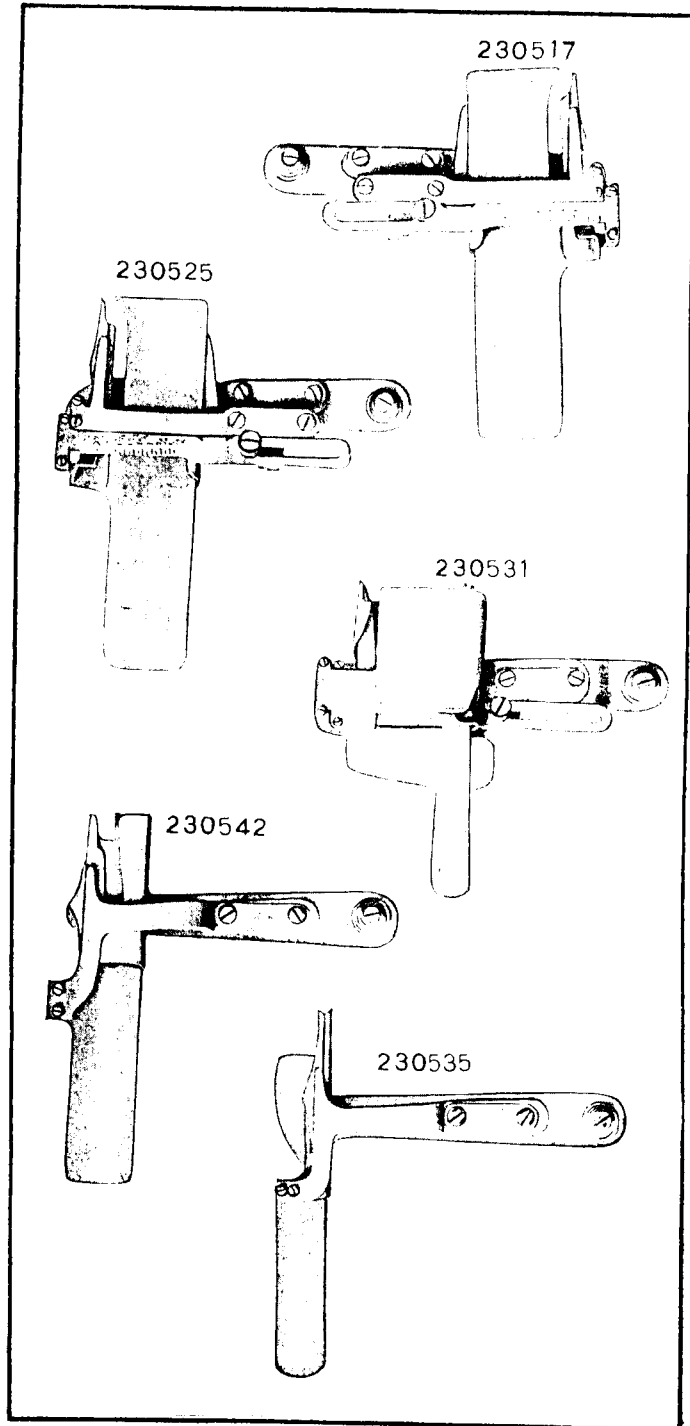


PLATE 15052—ONE-FOURTH SIZE

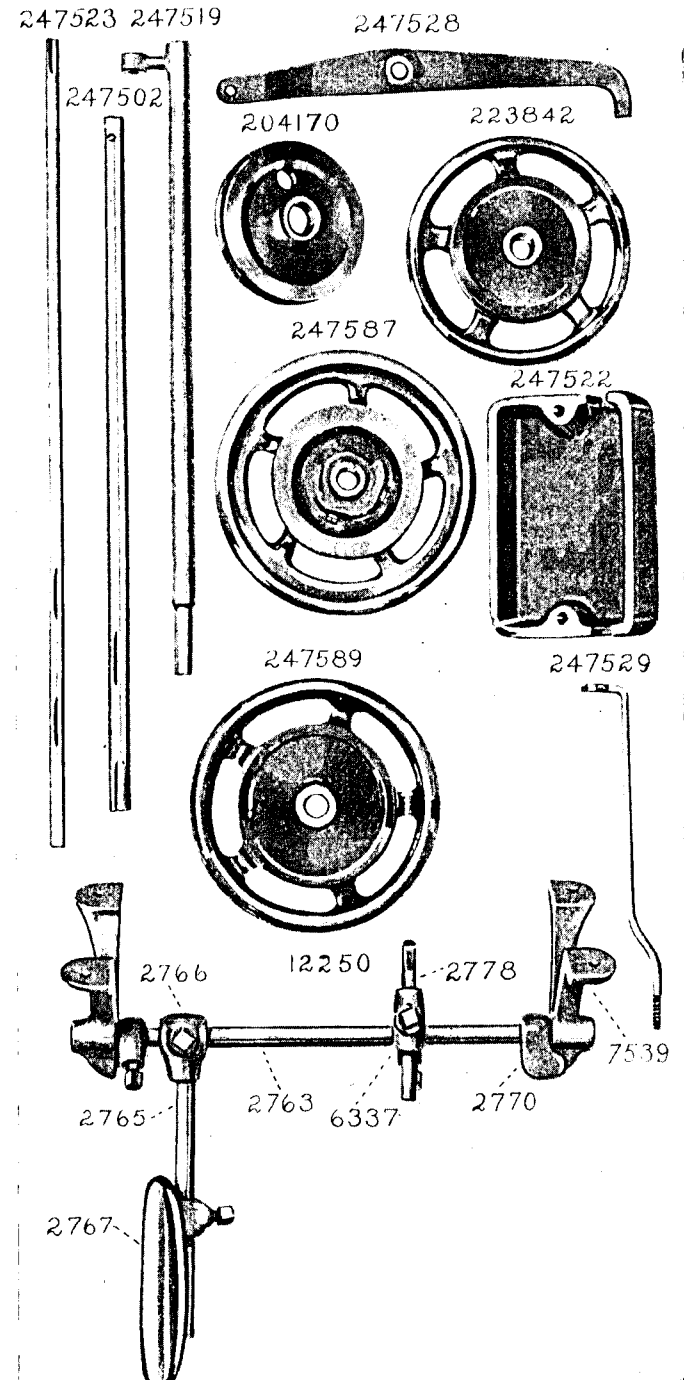
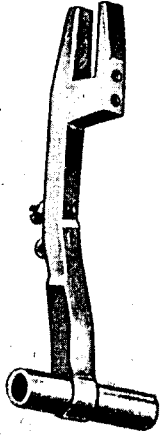


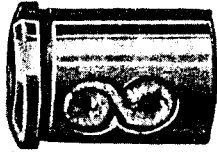


PLATE 15053—ONE-HALF SIZE

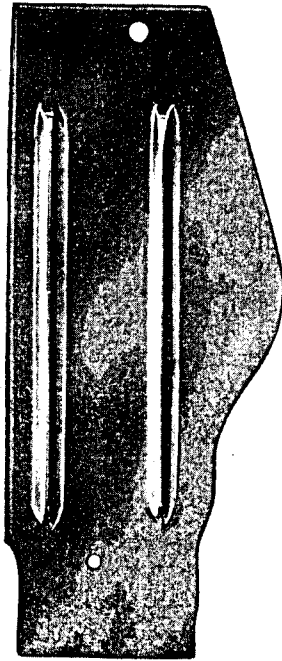
235697



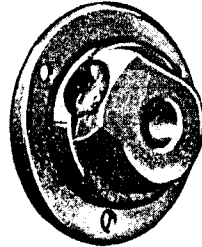
207080



247505



237748



235505

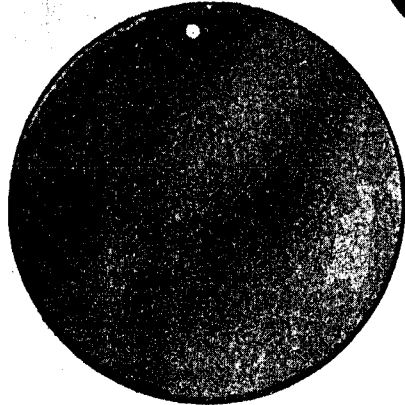
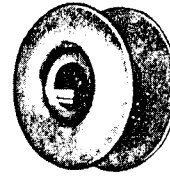
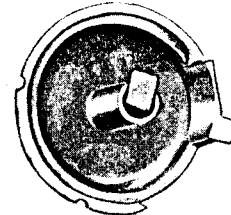


PLATE 15054—FULL SIZE

203208



235769



203211



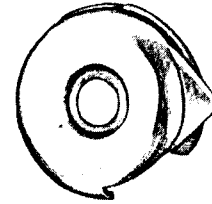
203212



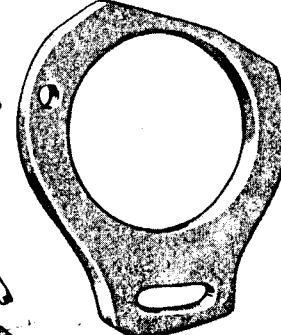
203213



235770



235751



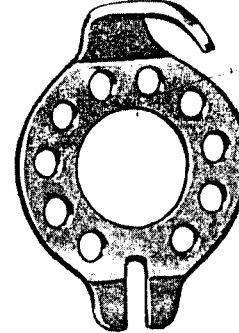
204243



200066



236078



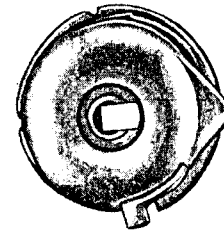
235771



203478



235772



200984



200594



PLATE 15056—ONE-HALF SIZE

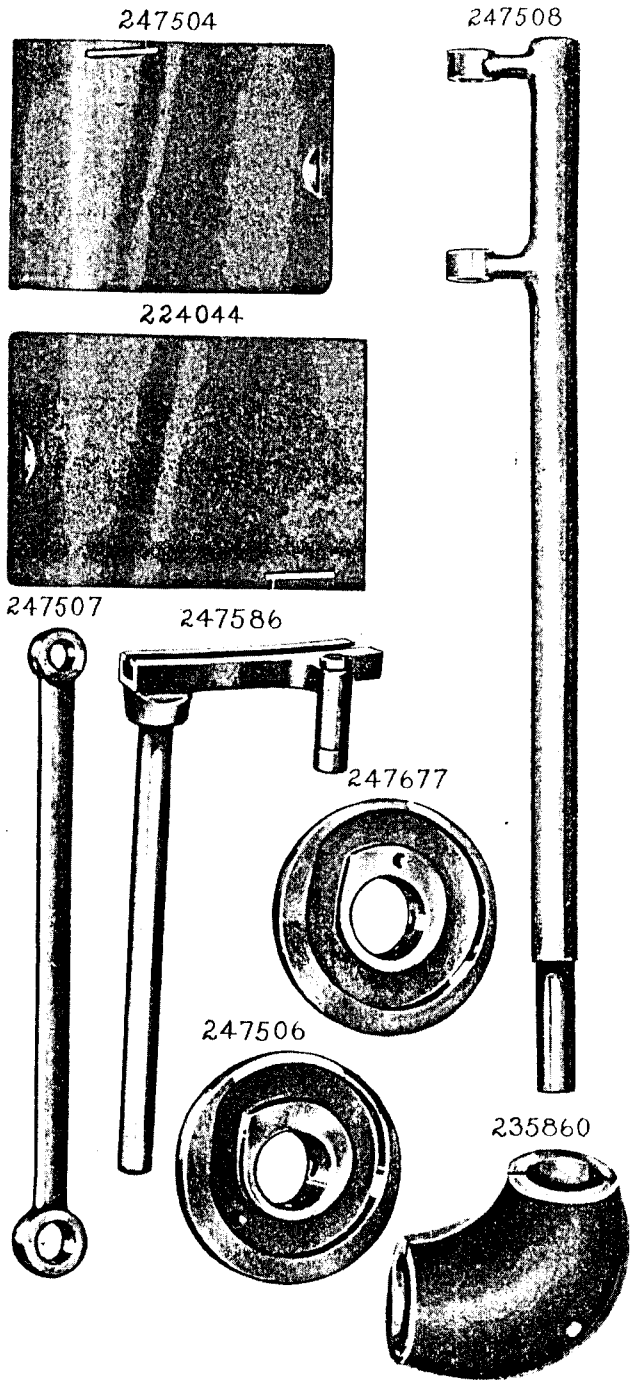


PLATE 15058—ONE-HALF SIZE

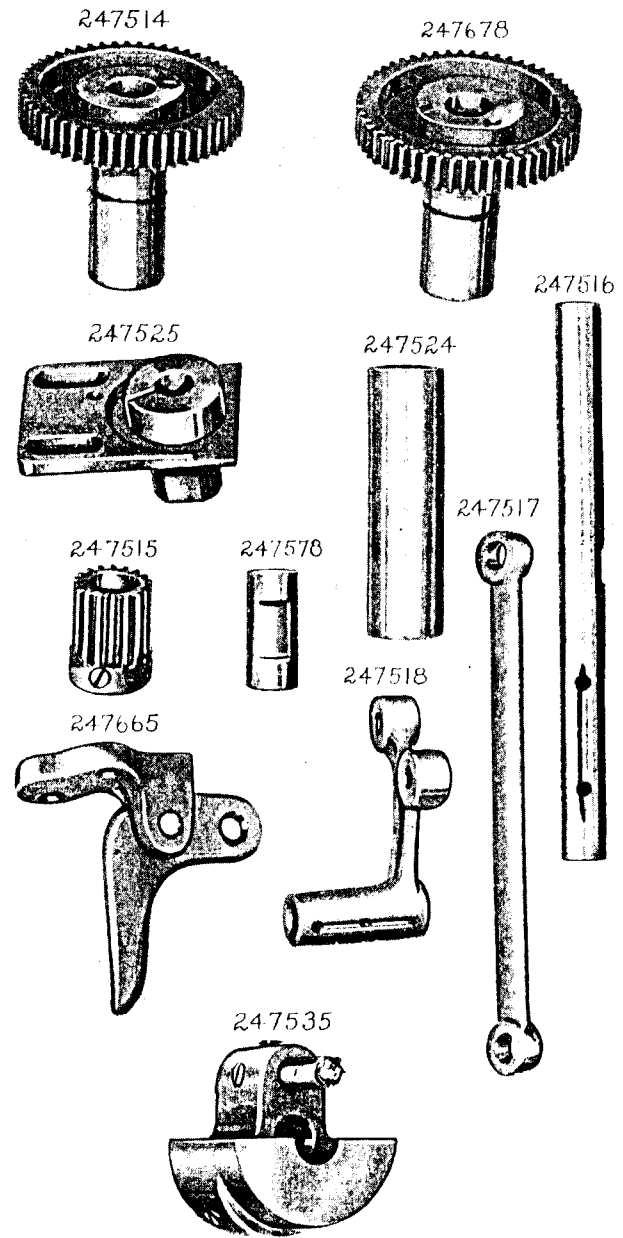


PLATE 15063—FULL SIZE

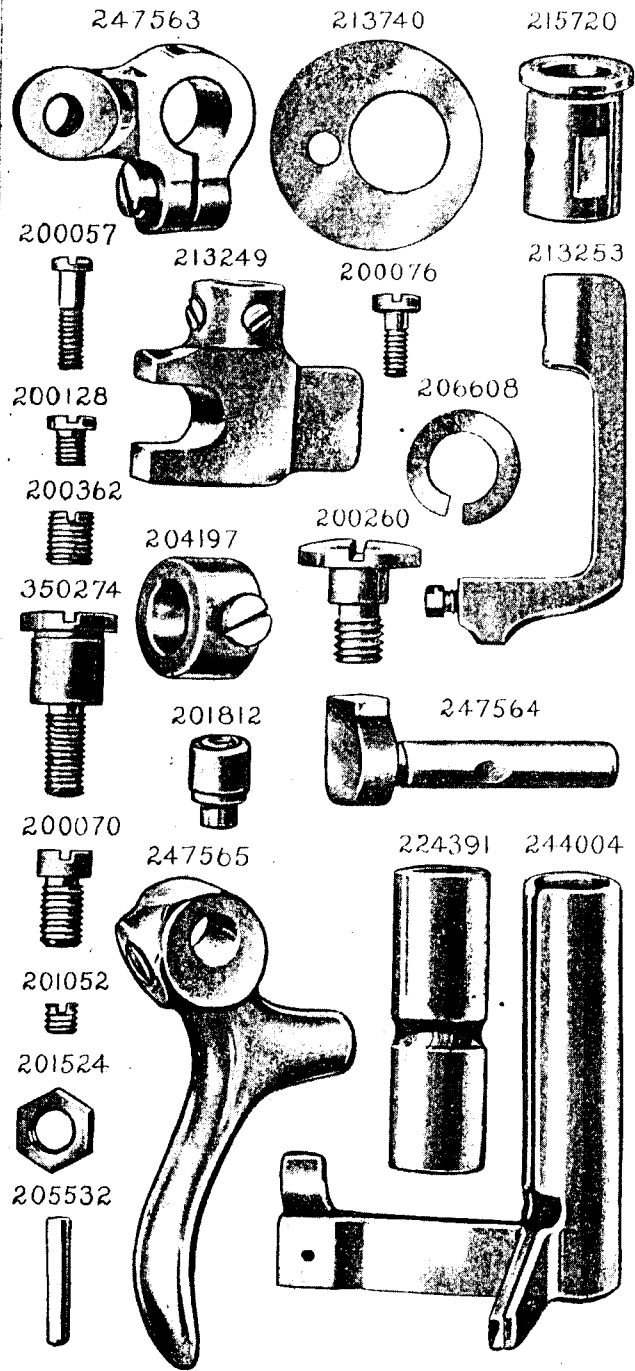


PLATE 15064—ONE-HALF SIZE

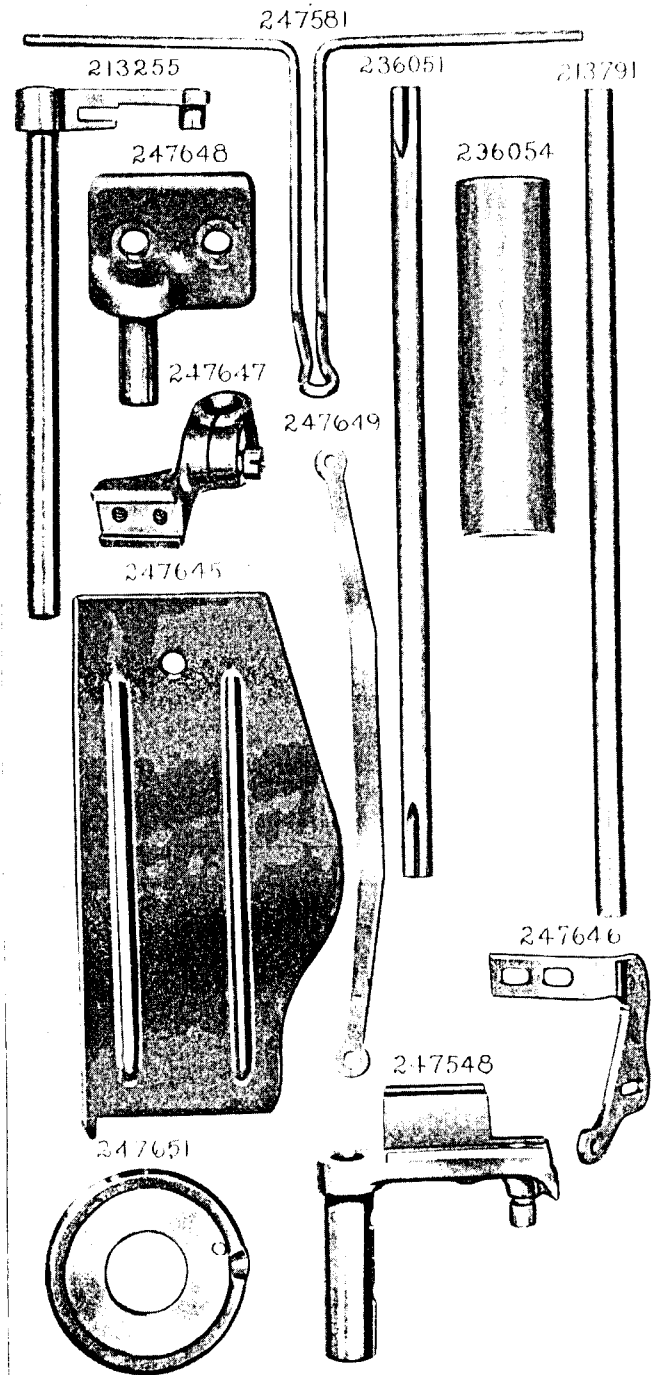


PLATE 15065—FULL SIZE

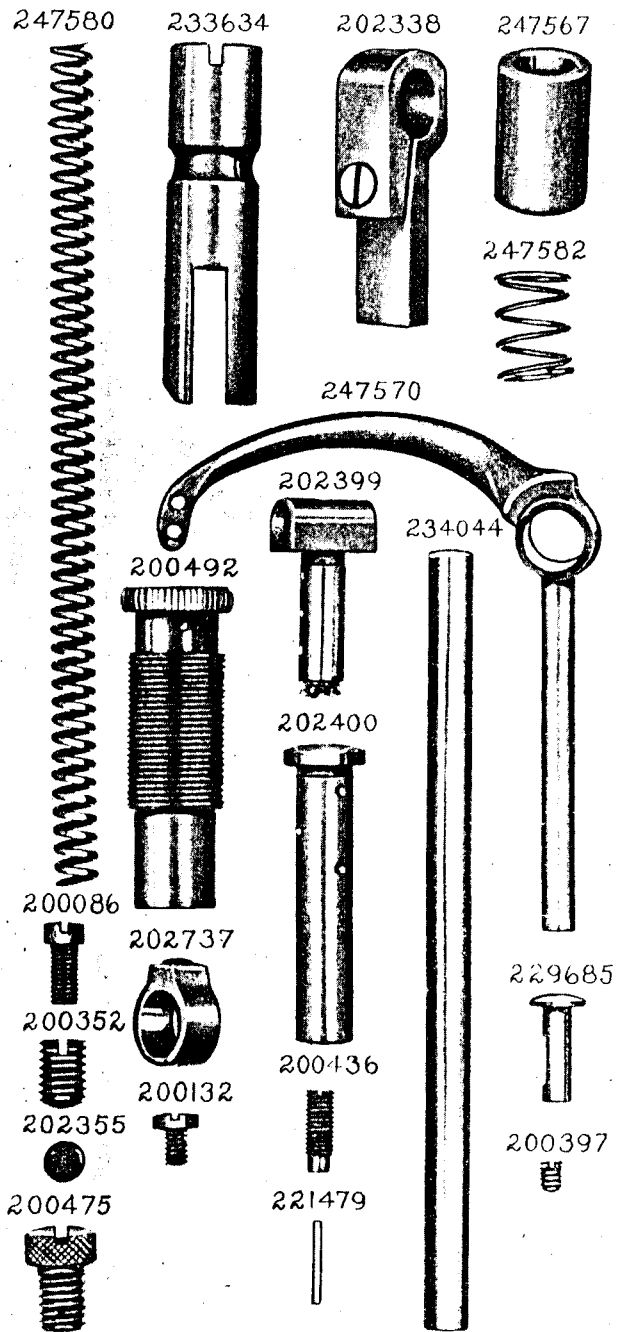


PLATE 15066—FULL SIZE

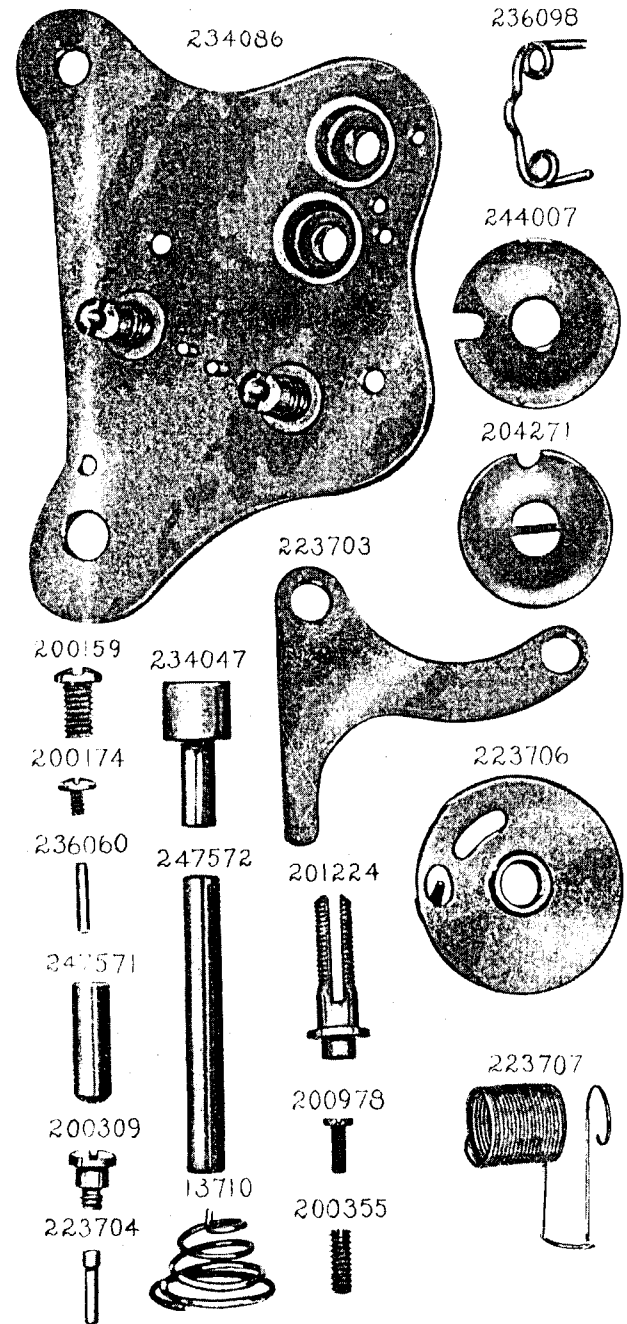


PLATE 15067—FULL SIZE

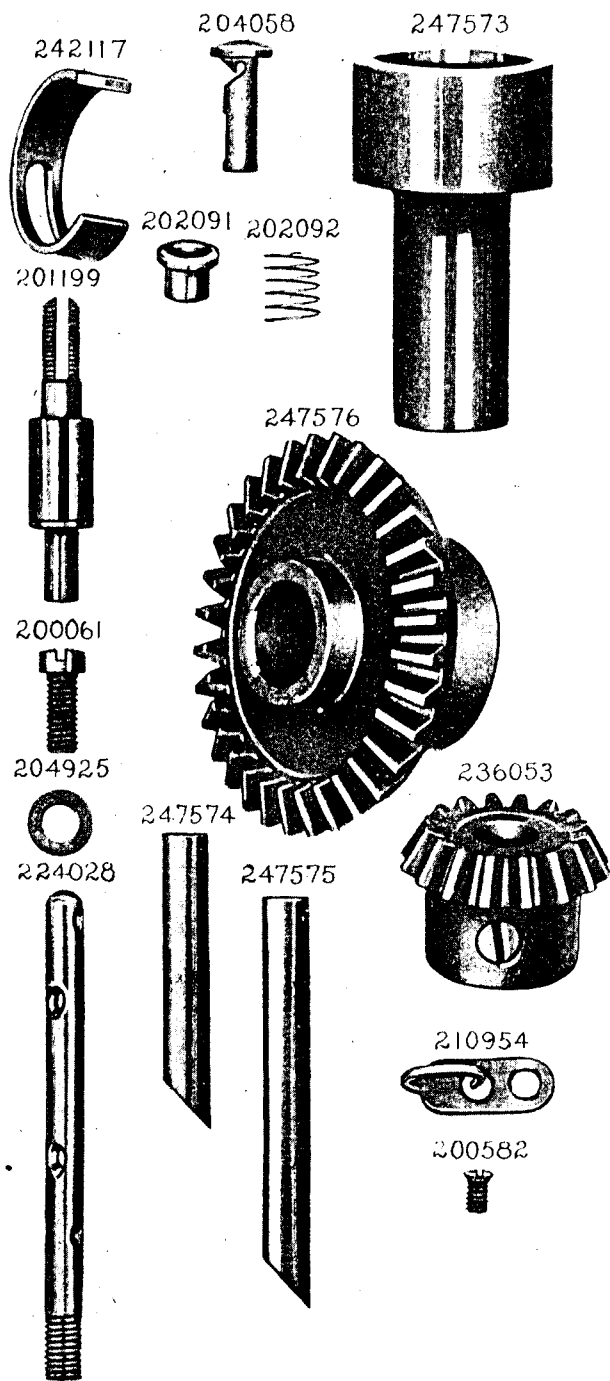


PLATE 15068—FULL SIZE

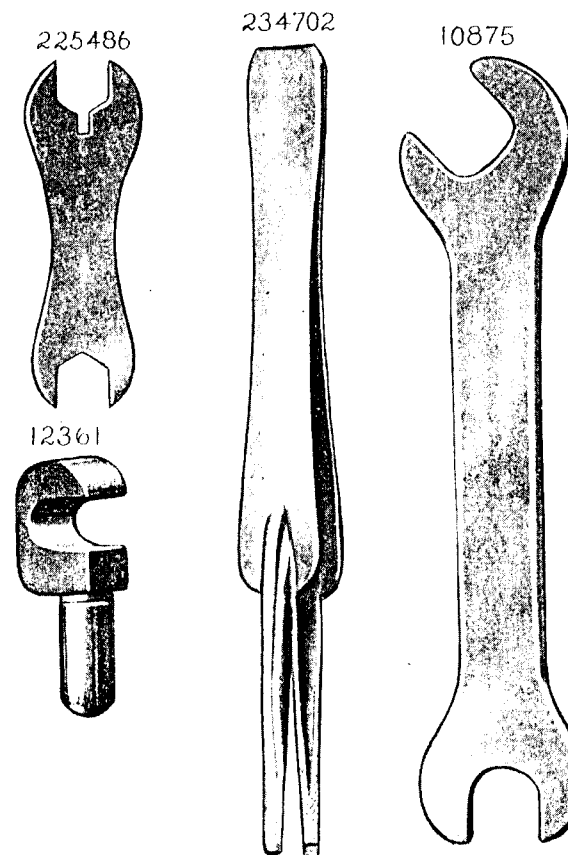


PLATE 15069—FULL SIZE

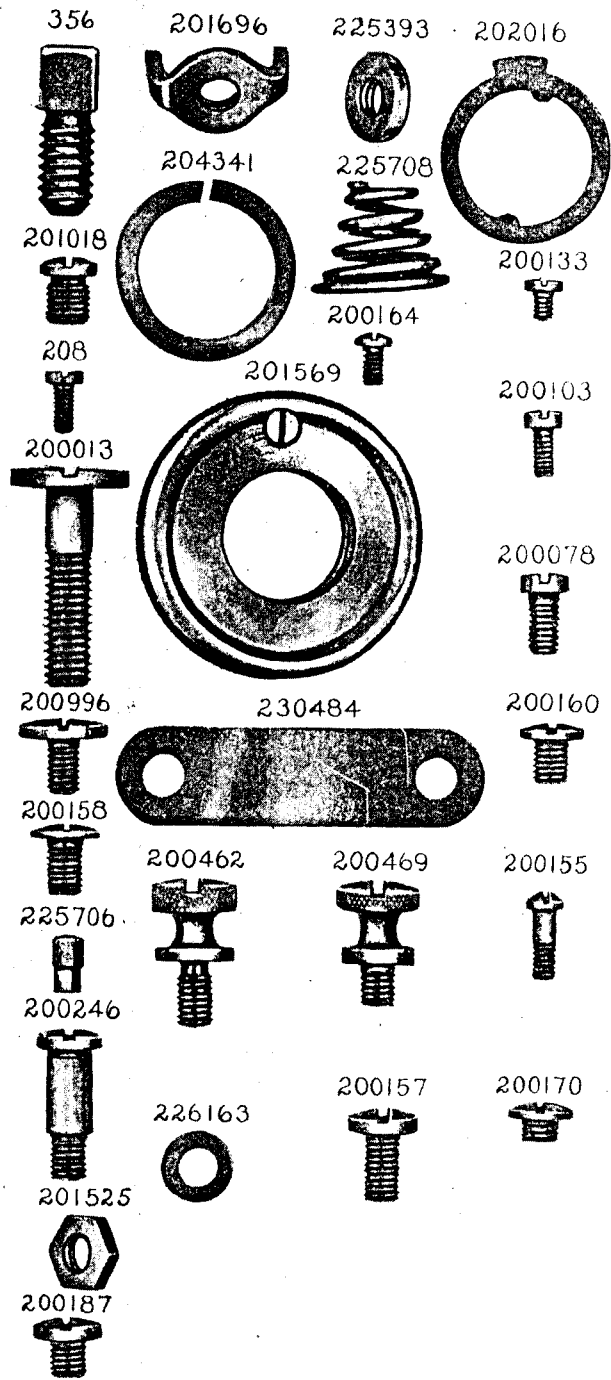


PLATE 15070—FULL SIZE

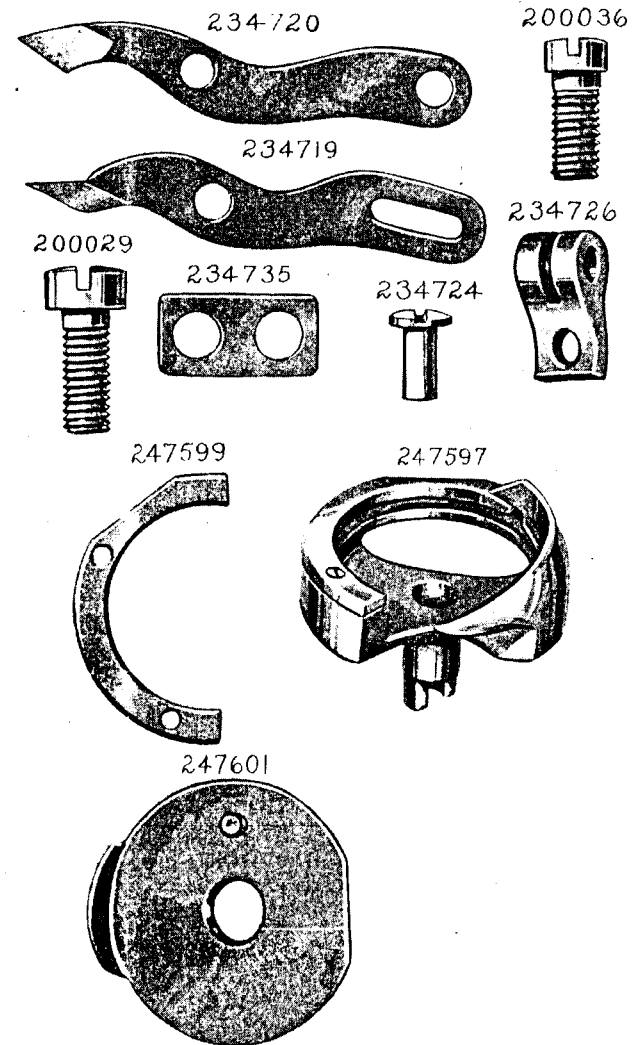


PLATE 15077—ONE-HALF SIZE

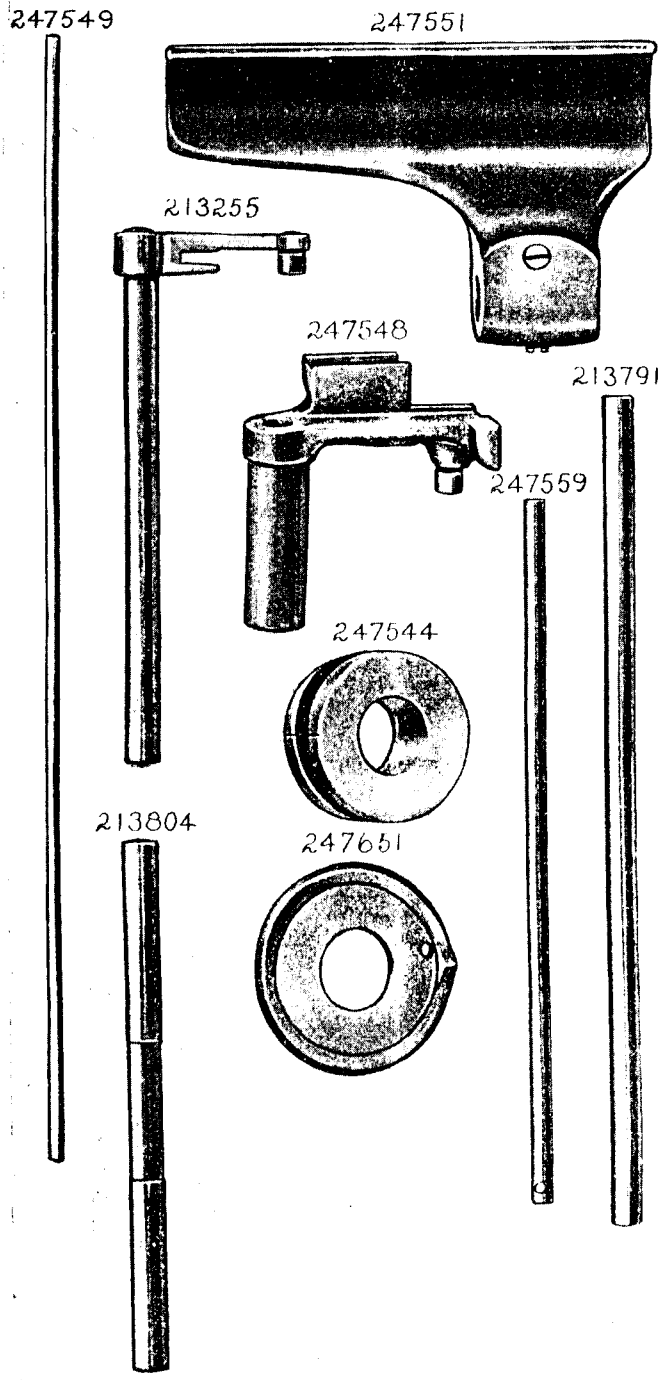


PLATE 15080—FULL SIZE

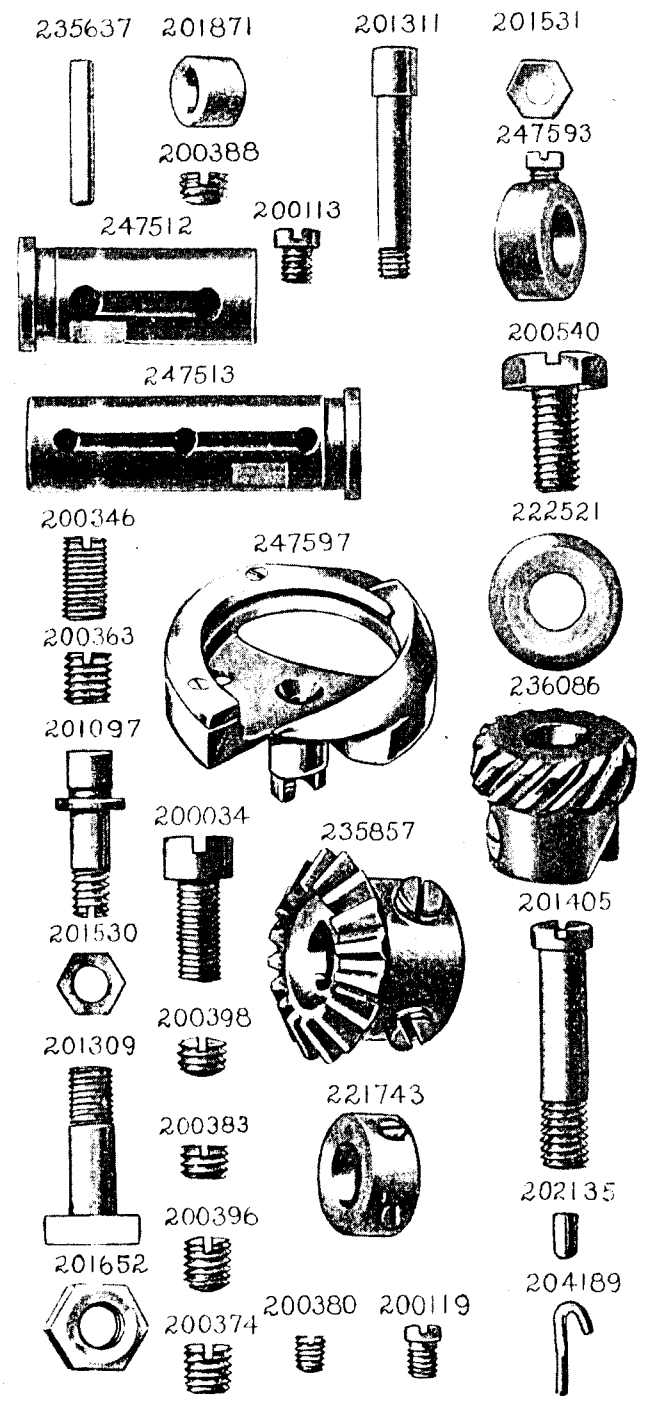


PLATE 15081—FULL SIZE

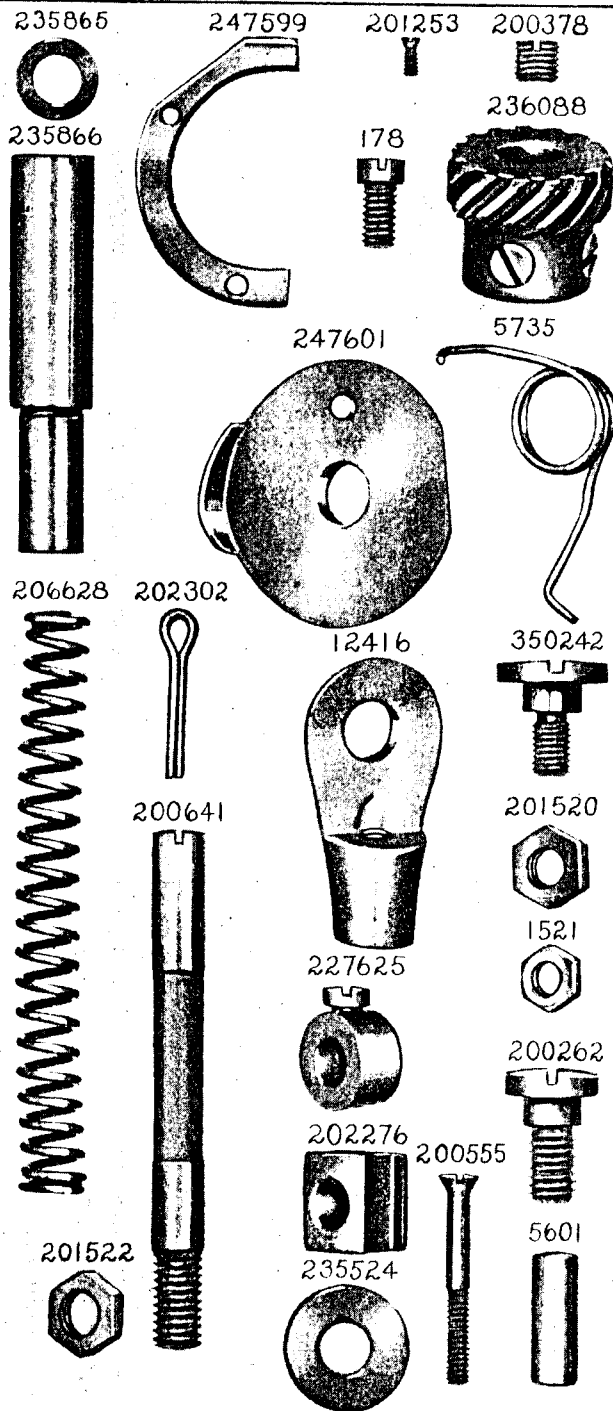


PLATE 15082—FULL SIZE

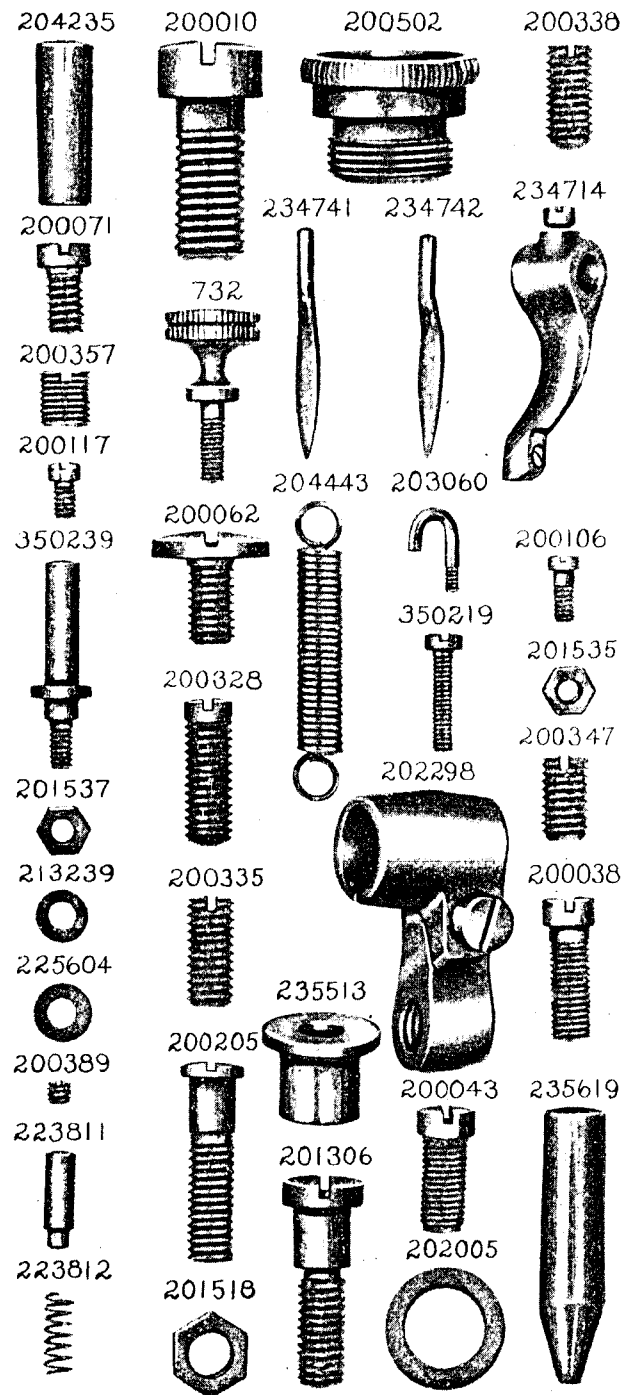




PLATE 15083—ONE-HALF SIZE

247684



236051



247531



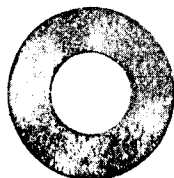
247568



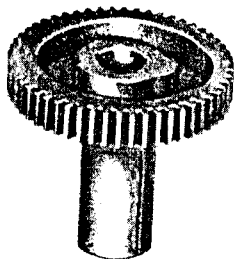
247679



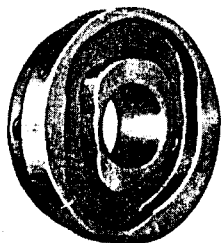
247682



247681



247680



236054

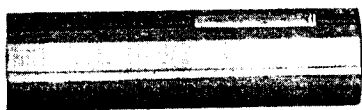
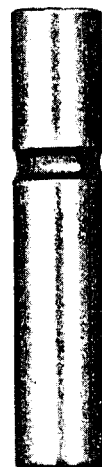


PLATE 15084—FULL SIZE

247532



247533



200072



201992



200428



200130



202552



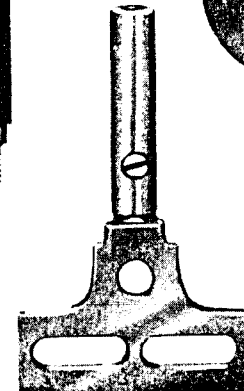
350240



202333



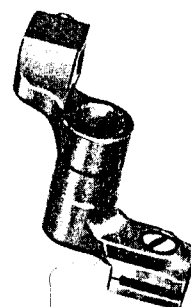
247539



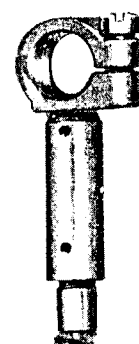
247583



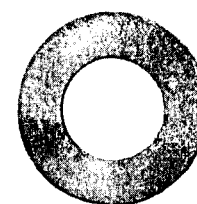
247584



247534



203172



213256



201030



201183



PLATE 15085--FULL SIZE

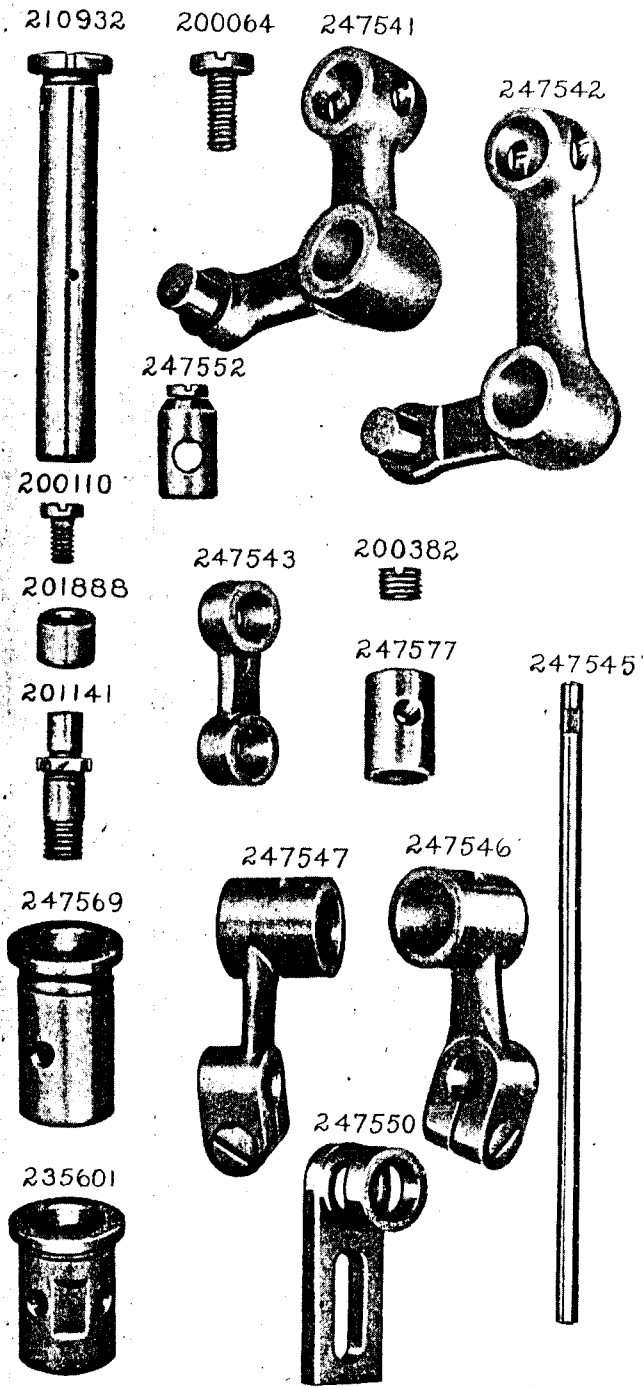


PLATE 15086--FULL SIZE

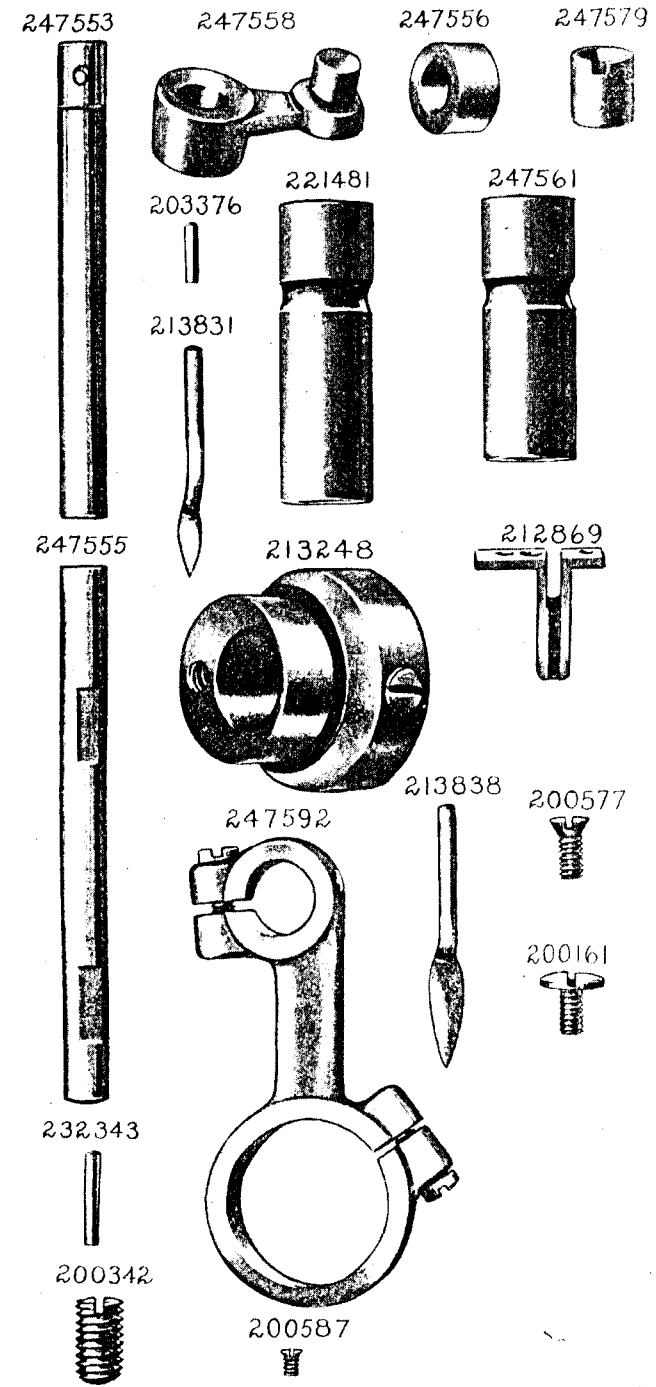


PLATE 15087—FULL SIZE

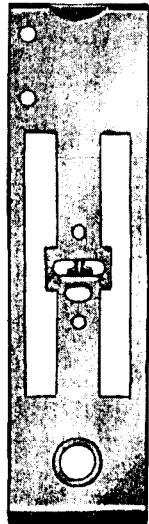
213390



213389



212828



200089



200112



207140



234740



205979



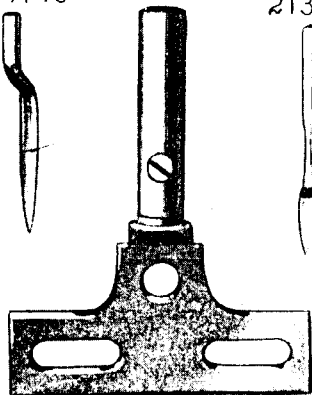
200175



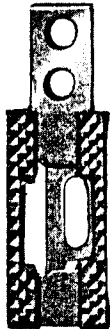
213835



247683



212830



200071



213836



213830



PLATE 15088—FULL SIZE

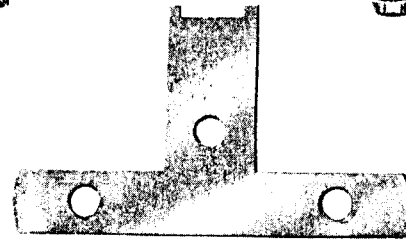
221465



221466



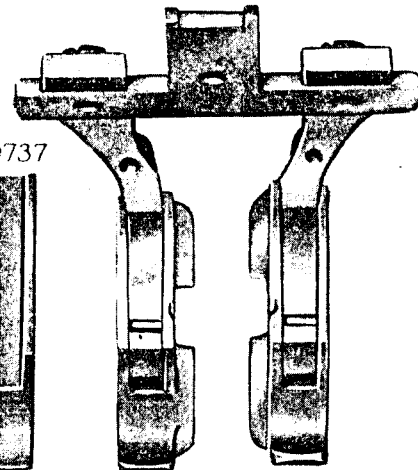
229740



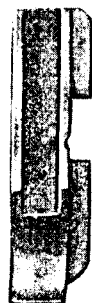
221467



229741



229738



229737

