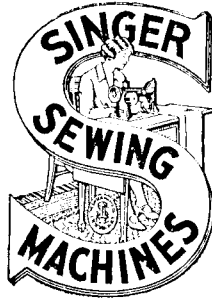


SINGER
119W1,W5

LIST OF PARTS



MACHINES Nos. 119w1 and 119w5

THE SINGER MANUFACTURING COMPANY

INDEX

| | PAGE |
|---------------------------------|------|
| ACCESSORIES | 32 |
| BALANCE WHEELS | 36 |
| BOBBIN WINDER | 32 |
| BOX PLATER | 42 |
| CORD HOLDER | 36 |
| HEMMERS | 37 |
| KNEE LIFTER | 33 |
| LAP SEAM FELLER | 43 |
| MACHINE No. 119w1 | 7 |
| " " 119w5 | 20 |
| NUMERICAL LIST OF PARTS | 47 |
| OBSOLETE PARTS | 45 |
| PICOT EDGE CUTTING DEVICE | 44 |
| PRESSER FEET | 35 |
| THREAD UNWINDER | 34 |

Instructions for Ordering

In ordering from this list, use **ONLY** the **PART** number in the **FIRST** column.

The number stamped on a Sewing Machine Part is the number of the Single Part only, except when the part includes Set Screws, Clamping Screws, Studs and Rollers Spun on, Small Wires riveted, or Parts soldered together, etc., which it is necessary to furnish in combination.

Every combination of parts sent out has its specific number which, although not stamped on Parts (except in above cases) must be used when ordering the combination.

Each number always indicates the **SAME PART** in whatever list it appears, or for whatever Machine.

The letters after some of the numbers indicate the style of finish only, as follows:

- A. Hardened, Polished and Plated.
- B. Polished and Plated.
- C. Hardened only.
- D. Polished only.
- E. Soft, not polished.
- F. Hardened and Polished.
- H. Blued.

These letters **MUST BE USED** when they appear in the list and **AFTER** the number, as in the list.

In this series

- 200001 to 201500 are Screw Numbers.
- 201501 to 201800 are Nut Numbers.
- 201801 to 202000 are Roller Numbers.
- 202001 and upward are numbers of Machine Parts.

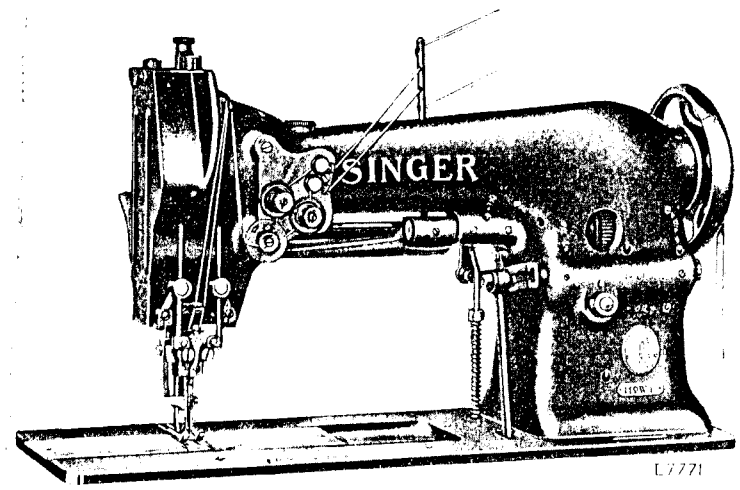
The figures in the second column refer only to the plate in which the illustration of the part is shown and are **NOT TO BE USED** in ordering.

Two or more numbers over a cut indicate that the difference between such parts is not visible in an illustration.

Parts marked with an asterisk (*) are furnished only when repairs are made at the factory.

LIST OF PARTS COMPLETE

FOR



MACHINE No. 119w1

HIGH SPEED HEMSTITCH

For Ornamental Hemstitching in Handkerchiefs, Shirt
 Waists, Neckties, Underwear, etc., with $\frac{1}{8}$ in.
 Openings. Has Forward Speed

| No. | Plate | Name |
|---------|-------|--|
| *247501 | --- | Arm with 202135 and four 247579.. |
| 204235 | 15051 | " Position Pin (2) |
| 200010E | 15051 | " Screw (3) |
| 202005 | 15051 | " " Washer (3) |
| 247502 | 15052 | " Shaft with 200357E and 203100 |
| 237748 | 15053 | " " Bushing (back) with 202299 |
| 202299 | --- | Arm Shaft Bushing (back) Oil Packing (wick) |
| 200071E | 15051 | Arm Shaft Bushing (back) Screw (3) |
| 207080 | 15053 | Arm Shaft Bushing (front) with 202244 |
| 202244 | --- | Arm Shaft Bushing (front) Oil Packing (wick) |
| 200502B | 15051 | Arm Shaft Bushing (front) Oil Packing Thumb Screw |

| No. | Plate | Name |
|---------|-------|--|
| 200338c | 15051 | Arm Shaft Bushing (front) Set Screw |
| 203100 | — | Arm Shaft Oil Packing (wick) |
| 200357E | 15051 | " " " " Stop Screw .. |
| 235505 | 15053 | " Side Cover |
| 732D | 15051 | " " " Screw |
| 234739 | 15051 | Auxiliary Piercer |
| 234714 | 15051 | " " Holder with 200117E and 200389c |
| 200117E | 15051 | Auxiliary Piercer Holder Screw ... |
| 350239c | 15051 | " " " Stud |
| 201537H | 15051 | " " " " Nut |
| 213239 | 15051 | " " " " " Washer |
| 225604 | 15051 | Auxiliary Piercer Holder Stud Washer |
| 200389c | 15051 | Auxiliary Piercer Set Screw |
| 223842 | 15052 | Balance Wheel (belt groove 2 3/4 in. diam.) with 200328c and 200335c |
| 200062H | 15051 | Balance Wheel Adjusting Screw .. |
| 200328c | 15051 | " " Position Screw |
| 200335c | 15051 | " " Set Screw |
| *247503 | — | Bed with 203376 |
| 247504 | 15056 | " Slide (back) |
| 223811 | 15051 | " " " Stop |
| 223812 | 15051 | " " " Spring |
| 224044 | 15056 | " " (front) |
| 203208 | 15054 | Bobbin (2) |
| 235769 | 15054 | " Case Base with 202056, 203211 to 203213 and 203216 |
| 203211 | 15054 | Bobbin Case Base Latch |
| *202056 | — | " " " Pin |
| 203212 | 15054 | " " " Plunger .. |
| 203213 | 15054 | " " " Spring ... |
| 235770 | 15054 | " " Cap with 200594c, 200984c and 235771 |
| 235078 | 15054 | Bobbin Case Lever |
| *203476 | — | " " " Eccentric |
| 204243 | 15054 | " " " Position Pin |
| 235751 | 15054 | Bobbin Case Lever Fulcrum |
| 200066D | 15054 | " " " Screw .. |
| 203478 | 15054 | " " " Stud |
| 235771 | 15054 | " " Tension Spring |
| 200984c | 15054 | " " " Regulating Screw |
| 200594c | 15054 | Bobbin Case Tension Spring Screw |
| 203216 | — | " " Washer (cloth) |

| No. | Plate | Name |
|---------|-------|---|
| 235772 | 15051 | Bobbin Case complete, Nos. 235769 and 235770 |
| 247505 | 15053 | Face Plate |
| 202135 | 15055 | " " Position Pin |
| 200462B | 15069 | " " Thumb Screw |
| 235697 | 15053 | Feed Bar with 201535E, 204189 and 350219E |
| 200641c | 15057 | Feed Bar Hinge Screw |
| 201522E | 15057 | " " " Nut |
| 202276 | 15057 | " " Slide Block |
| 200205E | 15051 | " " " Hinge Screw |
| 201518E | 15051 | " " " " Nut |
| 204443 | 15062 | Feed Bar Spring |
| 203060 | 15062 | " " " Hook |
| 204189 | 15055 | " " " " |
| 212827 | 15071 | " Dog |
| 200106E | 15051 | " " Screw (2) |
| 350219E | 15051 | " " Support Screw |
| 201535E | 15051 | " " " Nut |
| 247506 | 15056 | " Driving Cam with two 200347c |
| 200347c | 15051 | " " Set Screw |
| 247507 | 15056 | " " Connection |
| 235513 | 15051 | " " " Bearing |
| 202298 | 15051 | " " " Crank with 200038c |
| 200038c | 15051 | Feed Driving Connection Crank Pinch Screw |
| 201306c | 15051 | Feed Driving Connection Hinge Screw |
| 201518E | 15051 | Feed Driving Connection Hinge Screw Nut |
| 247508 | 15056 | Feed Driving Rock Shaft |
| 247509 | — | " " " " 247508 with 200641c, 201522E and 235697 |
| 235619 | 15051 | Feed Driving Rock Shaft Center (2) |
| 200043c | 15051 | " " " " Set Screw (2) |
| 247586 | 15056 | Feed Driving Segment Lever with 201311c, 201531E, 201871, 235637 and 247511 |
| 235637 | 15055 | Feed Driving Segment Lever Pin .. |
| 201871 | 15055 | " " " " Roller |
| 201311c | 15055 | " " " " " Screw Stud |
| 201531E | 15055 | Feed Driving Segment Lever Roller Screw Stud Nut |
| 247511 | — | Feed Driving Segment Lever Shaft |
| 247512 | 15055 | " " " " " Bushing (left) |

| No. | Plate | Name |
|---------|-------|---|
| 247513 | 15055 | Feed Driving Segment Lever Shaft Bushing (right) |
| 200346c | 15055 | Feed Driving Segment Lever Shaft Bushing Set Screw (2) |
| 247593 | 15055 | Feed Driving Segment Lever Shaft Collar with 200119F |
| 200119F | 15055 | Feed Driving Segment Lever Shaft Collar Set Screw |
| 247514 | 15058 | Feed Lifting Cam and Gear, 54 teeth |
| 200540D | 15055 | " " " " " Cap Screw |
| 222521 | 15055 | Feed Lifting Cam and Gear Cap Screw Washer |
| 247515 | 15058 | Feed Lifting Cam and Gear Driving Pinion, 18 teeth, with two 200388c |
| 200388c | 15055 | Feed Lifting Cam and Gear Driving Pinion Set Screw |
| 247516 | 15058 | Feed Lifting Cam and Gear Shaft (hollow) with 204110 and two 204111 |
| 204110 | — | Feed Lifting Cam and Gear Shaft Oiling Leather |
| 204111 | — | Feed Lifting Cam and Gear Shaft Oiling Leather Pin (leather) ... |
| 200363c | 15055 | Feed Lifting Cam and Gear Shaft Set Screw (2) |
| 247517 | 15058 | Feed Lifting Connection |
| 202298 | 15051 | " " " Crank with 200038c |
| 200038c | 15051 | Feed Lifting Connection Crank Pinch Screw |
| 201306c | 15051 | Feed Lifting Connection Hinge Screw (2) |
| 201518E | 15051 | Feed Lifting Connection Hinge Screw Nut (2) |
| 247518 | 15058 | Feed Lifting Lever |
| 201871 | 15055 | " " " Roller |
| 201097c | 15055 | " " " " Screw Stud |
| 201530E | 15055 | " " " " " " Nut |
| 247519 | 15052 | Feed Lifting Rock Shaft |
| 235619 | 15051 | " " " " Center (2) |
| 200043c | 15051 | " " " " " Set Screw (2) |
| 201309E | 15055 | Feed Regulating Screw Slide |
| 201652E | 15055 | " " " " Nut |
| 235524 | 15057 | " " " " Washer |

| No. | Plate | Name |
|---------|-------|--|
| *203511 | --- | Hook (sewing) |
| 247520 | 15055 | " 203511 with 224100 and two 201253F |
| 247521 | --- | Hook and Bobbin Case complete, Nos. 235772 and 247520 |
| 236086 | 15055 | Hook Driving Gear with 200383c and 200398c |
| 247522 | 15052 | Hook Driving Gear Guard |
| 200034c | 15055 | " " " " Screw (2) |
| 200398c | 15055 | " " " Position Screw . |
| 200383c | 15055 | " " " Set Screw |
| 247523 | 15052 | " " Shaft |
| 235857 | 15055 | " " " Bevel Gear with 200374c and 200396c |
| *235858 | --- | Hook Driving Shaft Bevel Gear Guard Section (back) |
| *235859 | --- | Hook Driving Shaft Bevel Gear Guard Section (front) |
| 201405E | 15055 | Hook Driving Shaft Bevel Gear Guard Screw |
| 235860 | 15056 | Hook Driving Shaft Bevel Gear Guard complete, Nos. 201405E, 235858 and 235859 |
| 200396c | 15055 | Hook Driving Shaft Bevel Gear Position Screw |
| 200374c | 15055 | Hook Driving Shaft Bevel Gear Set Screw |
| 247524 | 15058 | Hook Driving Shaft Bushing (back) |
| 247578 | 15058 | " " " " (center or front) (2) |
| 200346c | 15055 | Hook Driving Shaft Bushing Set Screw (3) |
| 221743 | 15055 | Hook Driving Shaft Collar with two 200380c |
| 200380c | 15055 | Hook Driving Shaft Collar Set Screw |
| 224100 | 15057 | Hook Gib |
| 201253F | 15057 | " " Screw |
| 247525 | 15058 | " Saddle (left or right) |
| 200034c | 15055 | " " Screw (4) |
| 235865 | 15057 | " " " Washer (4) |
| 247526 | --- | Hook Saddle (left or right) complete, Nos. 200066D, 200555U, 203478, 235751, 235866, 236078, 236088, 247521, 247525 and 247527 (2) |
| 235866 | 15057 | Hook Socket |
| 236088 | 15057 | " " Gear (spiral) with 200378c and 200383c |

| No. | Plate | Name |
|---------|-------|---|
| 200378c | 15057 | Hook Socket Gear Position Screw |
| 200383c | 15055 | " " " Set Screw |
| 200555r | 15057 | " " Screw |
| 247527 | 15057 | " Washer with 203476 and two 204243 |
| 247663 | ----- | Knee Lifter Bell Crank |
| 247664 | --- | " " " " Bracket |
| 247665 | 15058 | " " " " " |
| | | 247664 with 5601 and 247663 |
| 178F | 15057 | Knee Lifter Bell Crank Bracket Screw (2) |
| 5601 | 15057 | Knee Lifter Bell Crank Hinge Pin |
| 5735 | 15057 | " " " " Spring |
| 247528 | 15052 | " " Lifting Lever |
| 247529 | 15052 | " " " " Connecting Rod with 202302 |
| 202302 | 15057 | Knee Lifter Lifting Lever Connect- ing Rod Cotter Pin |
| 12416 | 15057 | Knee Lifter Lifting Lever Connect- ing Rod Joint |
| 350242r | 15057 | Knee Lifter Lifting Lever Connect- ing Rod Joint Hinge Screw |
| 201520r | 15057 | Knee Lifter Lifting Lever Connect- ing Rod Joint Hinge Screw Nut.. |
| 1521E | 15057 | Knee Lifter Lifting Lever Connect- ing Rod Lock Nut |
| 206628 | 15057 | Knee Lifter Lifting Lever Connect- ing Rod Spring |
| 227625 | 15057 | Knee Lifter Lifting Lever Connect- ing Rod Spring Collar with 200113F |
| 200113F | 15055 | Knee Lifter Lifting Lever Connect- ing Rod Spring Collar Set Screw |
| 200262r | 15057 | Knee Lifter Lifting Lever Hinge Screw |
| 247531 | 15059 | Needle Bar |
| 247532 | 15059 | " " Bushing (lower) |
| 247533 | 15059 | " " " (upper) |
| 200338c | 15051 | " " " Set Screw (2).. |
| 202552 | 15059 | " " Connecting Link |
| 202333 | 15059 | " " " " Stud with 202254 |
| 202254 | --- | Needle Bar Connecting Link Stud Oil Packing (wick) |
| 200374c | 15055 | Needle Bar Connecting Link Stud Set Screw |
| 200383c | 15055 | Needle Bar Connecting Link Stud Set Screw |
| 247534 | 15059 | Needle Bar Connecting Stud with 200072c and 222598 |

| No. | Plate | Name |
|---------|-------|---|
| 222598 | --- | Needle Bar Connecting Stud Oil Packing (wick) |
| 200072c | 15059 | Needle Bar Connecting Stud Pinch Screw |
| 201992 | 15059 | Needle Bar Connecting Stud Roller |
| 247535 | 15058 | " " Crank with 200335c, 200374c, 200383c, 200428c and 202333 |
| 203172 | 15059 | Needle Bar Crank Friction Washer |
| 200428c | 15059 | " " " Position Screw .. |
| 200335c | 15051 | " " " Set Screw |
| 213256 | 15059 | " " Thread Guide |
| 200130F | 15059 | " Clamping Screw |
| 247583 | 15059 | " Holder (left) with two 200130F |
| 247584 | 15059 | " " (right) with two 200130F |
| 247539 | 15061 | " " Bracket with 201030F.. |
| 247585 | ----- | " " " 247539 with 213239, 213256, 247583, 247584, 350239c, two each 201183F, 350240c, three each 201537r and 225604 |
| 201030F | 15059 | Needle Holder Bracket Screw |
| 201183F | 15059 | " " Cap Screw |
| 350240c | 15061 | " " Hinge Stud |
| 201537r | 15051 | " " " " Nut |
| 225604 | 15051 | " " " " Washer .. |
| 247541 | 15061 | " Vibrating Bell Crank (left).. |
| 247542 | 15061 | " " " " (right) |
| 210932 | 15061 | " " " " Hinge Stud with 210933 |
| 210933 | ----- | Needle Vibrating Bell Crank Hinge Stud Oil Packing (wick) |
| 200347c | 15051 | Needle Vibrating Bell Crank Hinge Stud Set Screw |
| 247543 | 15061 | Needle Vibrating Bell Crank Link (2) |
| 247544 | 15060 | Needle Vibrating Cam with two 200382c |
| 200382c | 15061 | Needle Vibrating Cam Set Screw.. |
| 247545 | 15061 | " " Connection Rod (2).. |
| 200130F | 15059 | " " " " Clamp- ing Screw |
| 247577 | 15061 | Needle Vibrating Connection Rod Swivel (2) |
| 247546 | 15061 | Needle Vibrating Crank (right) with 200072c |
| 247547 | 15061 | Needle Vibrating Crank (left) with 200072c |

| No. | Plate | Name |
|---------|-------|---|
| 200072c | 15059 | Needle Vibrating Crank Pinch Screw |
| 247590 | 15060 | Needle Vibrating Lever with 201141c and 201888 |
| 247549 | 15060 | Needle Vibrating Lever Pitman (long) |
| 247591 | 15060 | Needle Vibrating Lever Pitman (short) |
| 247550 | 15062 | Needle Vibrating Lever Pitman Connection (2) |
| 200064F | 15062 | Needle Vibrating Lever Pitman Connection Screw (2) |
| 247551 | 15060 | Needle Vibrating Lever Pitman Guard with 200347c and 200363c |
| 200347c | 15051 | Needle Vibrating Lever Pitman Guard Adjusting Screw |
| 200363c | 15055 | Needle Vibrating Lever Pitman Guard Set Screw |
| 247552 | 15062 | Needle Vibrating Lever Pitman Swivel with 200110D (4) |
| 200110D | 15062 | Needle Vibrating Lever Pitman Set Screw |
| 201888 | 15062 | Needle Vibrating Lever Roller |
| 201141c | 15062 | " " " " Screw Stud |
| 247568 | 15060 | Needle Vibrating Lever Shaft |
| 247569 | 15062 | " " " " Bushing (back) |
| 235601 | 15062 | Needle Vibrating Lever Shaft Bushing (front) |
| 247593 | 15055 | Needle Vibrating Lever Shaft Collar with 200119F (3) |
| 200119F | 15055 | Needle Vibrating Lever Shaft Collar Set Screw |
| 206064 | — | Needle Vibrating Lever Spring |
| 203060 | 15062 | " " " " Hook (2) |
| 247553 | 15062 | Needle Vibrating Rock Shaft (left) |
| 247554 | — | " " " " " |
| | | 247553 with 232343 and 247558 .. |
| 247555 | 15062 | Needle Vibrating Rock Shaft (right) |
| 247557 | — | Needle Vibrating Rock Shaft (right) 247555 with 232343, 247556 and 247558 |
| 247579 | 15062 | Needle Vibrating Rock Shaft Bushing (4) |
| 247556 | 15062 | Needle Vibrating Rock Shaft (right) Collar |

| No. | Plate | Name |
|---------|-------|---|
| 247558 | 15062 | Needle Vibrating Rock Shaft Crank (left or right) |
| 232343 | 15062 | Needle Vibrating Rock Shaft Crank Position Pin |
| 213826 | 15062 | Piercer |
| 247559 | 15060 | " Bar |
| 247560 | — | " " 247559 with 221481 and 247561 |
| 247561 | 15062 | Piercer Bar Bushing (lower) |
| 221481 | 15062 | " " " (upper) |
| 200342c | 15062 | " " " Set Screw (2) .. |
| 213248 | 15062 | " " Driving Cam with two 200362c |
| 247592 | 15062 | Piercer Bar Driving Cam Connection with 200057u and 200066D .. |
| 247563 | 15063 | Piercer Bar Driving Cam Connection Crank with 200070c |
| 350274c | 15063 | Piercer Bar Driving Cam Connection Crank Hinge Screw |
| 201520u | 15057 | Piercer Bar Driving Cam Connection Crank Hinge Screw Nut |
| 200070c | 15063 | Piercer Bar Driving Cam Connection Crank Pinch Screw |
| 200057u | 15063 | Piercer Bar Driving Cam Connection Pinch Screw |
| 200066D | 15054 | Piercer Bar Driving Cam Connection Pinch Screw |
| 213740 | 15063 | Piercer Bar Driving Cam Retaining Washer |
| 200128E | 15063 | Piercer Bar Driving Cam Retaining Washer Screw |
| 200362c | 15063 | Piercer Bar Driving Cam Set Screw |
| 213249 | 15063 | Piercer Bar Lifting Bracket with two 201052c |
| 201052c | 15063 | Piercer Bar Lifting Bracket Set Screw |
| 213804 | 15060 | Piercer Bar Lifting Rock Shaft |
| 215720 | 15063 | " " " " " Bushing (2) |
| 200043c | 15051 | Piercer Bar Lifting Rock Shaft Bushing Set Screw (2) |
| 201524E | 15063 | Piercer Bar Lifting Rock Shaft Bushing Set Screw Nut (2) |
| 204197 | 15063 | Piercer Bar Lifting Rock Shaft Collar with 200113F |
| 200113F | 15055 | Piercer Bar Lifting Rock Shaft Collar Set Screw |
| 213255 | 15064 | Piercer Bar Lifting Rock Shaft Crank with 201812, 205532 and 213804 |

| No. | Plate | Name |
|---------|-------|---|
| 214004 | --- | Piercer Bar Lifting Rock Shaft Crank 213255 with 213249 |
| 205532 | 15063 | Piercer Bar Lifting Rock Shaft Crank Position Pin |
| 201812 | 15063 | Piercer Bar Lifting Rock Shaft Crank Roller and Stud |
| 213253 | 15063 | Piercer Holder with 200117F |
| 200076D | 15063 | " " Screw |
| 200117F | 15051 | " Set Screw |
| 213791 | 15064 | Presser Bar |
| 224391 | 15063 | " " Bushing |
| 200398C | 15055 | " " " Set Screw |
| 247564 | 15063 | " " Lifter |
| 247565 | 15063 | " " Lifting Lever with 200378C |
| 200378C | 15057 | Presser Bar Lifting Lever Set Screw |
| 244004 | 15063 | Presser Bar Lifting Releasing Lever Bracket |
| 200260E | 15063 | Presser Bar Lifting Releasing Lever Bracket Guide Screw |
| 206608 | 15063 | Presser Bar Lifting Releasing Lever Bracket Spring |
| 233634 | 15065 | Presser Bar Position Guide |
| 202338 | 15065 | " " " " Lever with 200086F |
| 200086F | 15065 | Presser Bar Position Guide Lever Pinch Screw |
| 200352C | 15065 | Presser Bar Position Guide Set Screw |
| 247567 | 15065 | Presser Bar Sleeve |
| 247580 | 15065 | " " Spring |
| 234044 | 15065 | " " " Stop Rod |
| 200492B | 15065 | " " Thumb Screw (pressure regulating) |
| 200475B | 15065 | Presser Bar Thumb Screw Thumb Set Screw |
| 202355 | 15065 | Presser Bar Thumb Screw Thumb Set Screw Packing (brass) (2) |
| 200436F | 15065 | Presser Foot Adjusting Screw |
| 200086F | 15065 | " " " " Clamp Screw |
| 221479 | 15065 | Presser Foot Hinge Pin |
| 229685 | 15065 | " " " Stud |
| 200397H | 15065 | " " " " Set Screw |
| 229706 | 15071 | " " Plate (left) |
| 229707 | 15071 | " " " (right) |
| 206653 | 14214 | " " Shank (left) with 200086F, 200397H and 200436F |

| No. | Plate | Name |
|---------|-------|--|
| 229775 | 14214 | Presser Foot Shank 206653 with 221479 and 229706 |
| 229796 | --- | Presser Foot Shank (right) with 200086F |
| 229776 | 14214 | Presser Foot Shank 229796 with 221479 and 229707 |
| 200086F | 15065 | Presser Foot Shank (right) Set Screw |
| 247582 | 15065 | Presser Foot Spring |
| 202737 | 15065 | " " " Collar with 200380C |
| 200380C | 15055 | Presser Foot Spring Collar Set Screw |
| 229711 | 14214 | Presser Foot (hinged) (narrow) complete, Nos. 229685, 229775 and 229776 |
| 247651 | 15064 | Presser Foot Vibrating Cam |
| 247570 | 15065 | Take-up Lever |
| 202399 | 15065 | " " Driving Stud with 202277 |
| 202277 | --- | Take-up Lever Driving Stud Oil Packing (wick) |
| 202400 | 15065 | Take-up Lever Hinge Stud with 202423 |
| 202423 | --- | Take-up Lever Hinge Stud Oil Packing (wick) |
| 200352C | 15065 | Take-up Lever Hinge Stud Set Screw |
| 202401 | --- | Take-up Lever Oiling Felt |
| 200132E | 15059 | " " " " Screw |
| 234086 | 15066 | Tension Bracket with two each 200397H, 201224B and 236060 |
| 234087 | --- | Tension Bracket complete, Nos. 200174H, 200978H, 201199F, 223703, 223706, 223707, 234086, 236098, two each 13710, 200309E, 204059, 201271, 223704, three 201572H and four 244007 |
| 200159H | 15066 | Tension Bracket Screw |
| 234047 | 15066 | " " " Socket |
| 200355H | 15066 | " " " " Set Screw |
| 236098 | 15066 | Tension Bracket Thread Guide (double) |
| 200174H | 15066 | Tension Bracket Thread Guide Screw |

| No. | Plate | Name |
|---------|-------|---|
| 244007 | 15066 | Tension Disc |
| 236060 | 15066 | " " Position Pin |
| 223703 | 15066 | " Release Lever |
| 247571 | 15066 | " " " Rod |
| 247572 | 15066 | " " " Extension |
| 200309E | 15066 | " " " Screw |
| 223704 | 15066 | " " Plunger |
| 204271 | 15066 | " " Washer |
| 13710 | 15066 | " Spring |
| 201224B | 15066 | " Stud |
| 201572H | 10881 | " Thumb Nut |
| 223706 | 15066 | Thread Controller Disc |
| 200978H | 15066 | " " " Screw |
| 223707 | 15066 | " " Spring |
| 242117 | 15067 | " " " Stop |
| 200132E | 15059 | " " " Screw .. |
| 201199F | 15067 | " " Stud with 204925 .. |
| 201572H | 10881 | " " " Thumb Nut .. |
| 200061C | 15067 | " " " Set Screw |
| 204925 | 15067 | " " " Washer |
| 224028 | 15067 | " Guide |
| 210954 | 15067 | " " |
| 200582H | 15067 | " " Screw |
| 204059 | --- | Thread Retainer complete, Nos. 202091, 202092 and 204058 |
| 202091 | 15067 | Thread Retainer Sleeve |
| 202092 | 15067 | " " Spring |
| 204058 | 15067 | " " Stud |
| 200397H | 15065 | " " " Set Screw |
| 247594 | 15071 | Throat Plate with 247595 and two 200587D |
| 200161D | 15071 | Throat Plate Clamping Screw |
| 247595 | 15071 | " " Needle Guard |
| 200587D | 15071 | " " " " Screw.. |
| 203376 | 15071 | " " Position Pin |
| 200577H | 15071 | " " Screw |
| 236051 | 15064 | Vertical Shaft |
| 235857 | 15055 | " " Bevel Gear (lower) with 200374c and 200396c |
| 236053 | 15067 | Vertical Shaft Bevel Gear (upper) with 200374c and 200396c |
| 200396c | 15055 | Vertical Shaft Bevel Gear Position Screw |
| 200374c | 15055 | Vertical Shaft Bevel Gear Set Screw |
| 236054 | 15064 | " " Bushing (lower) |
| 247573 | 15067 | " " " (upper) |
| 247574 | 15067 | " " " " Oil Tube (brass) |

| No. | Plate | Name |
|---------|-------|---|
| 247575 | 15067 | Vertical Shaft Bushing (lower) Oil Tube (brass) |
| 200346c | 15055 | Vertical Shaft Bushing Set Screw (2) |
| 247576 | 15067 | Vertical Shaft Driving Bevel Gear with 200378c and 200396c |
| 200378c | 15057 | Vertical Shaft Driving Bevel Gear Set Screw |
| 200396c | 15055 | Vertical Shaft Driving Bevel Gear Position Screw |

LIST OF PARTS COMPLETE
FOR
MACHINE No. 119w5
HIGH SPEED HEMSTITCH

For Wide Hemstitching in Fine Grade of Fabrics, such as
 Georgette and Crepe Shire Waists, etc., with
 $\frac{3}{8}$ in. Openings. Has Forward Speed

| No. | Plate | Name |
|---------|-------|--|
| *247501 | ----- | Arm with 202135 and four 247579.. |
| 204235 | 15051 | " Position Pin (2) |
| 200010E | 15051 | " Screw (3) |
| 202005 | 15051 | " " Washer (3) |
| 247502 | 15052 | " Shaft with 200357E and 203100 |
| 237748 | 15053 | " " Bushing (back) with 202299 |
| 202299 | ----- | Arm Shaft Bushing (back) Oil Packing (wick) |
| 200071E | 15051 | Arm Shaft Bushing (back) Screw (3) |
| 207080 | 15053 | Arm Shaft Bushing (front) with 202244 |
| 202244 | ----- | Arm Shaft Bushing (front) Oil Packing (wick) |
| 200502B | 15051 | Arm Shaft Bushing (front) Oil Packing Thumb Screw |
| 200338c | 15051 | Arm Shaft Bushing (front) Set Screw |
| 203100 | ----- | Arm Shaft Oil Packing (wick) |
| 200357E | 15051 | " " " " Stop Screw.. |
| 235505 | 15053 | " Side Cover |
| 732D | 15051 | " " " Screw |
| 234744 | 15051 | Auxiliary Piercer |
| 234714 | 15051 | " " Holder with 200117F and 200389c |
| 200117F | 15051 | Auxiliary Piercer Holder Screw ... |
| 350239c | 15051 | " " " Stud |
| 201537H | 15051 | " " " " Nut |
| 213239 | 15051 | " " " " " " Washer |
| 225604 | 15051 | Auxiliary Piercer Holder Stud Washer |
| 200389c | 15051 | Auxiliary Piercer Set Screw |

| No. | Plate | Name |
|---------|-------|--|
| 223842 | 15052 | Balance Wheel (belt groove $2\frac{3}{8}$ in. diam.) with 200328c and 200335c |
| 200062B | 15051 | Balance Wheel Adjusting Screw .. |
| 200328c | 15051 | " " Position Screw |
| 200335c | 15051 | " " Set Screw |
| *247503 | ----- | Bed with 203376 |
| 247504 | 15056 | " Slide (back) |
| 223811 | 15051 | " " " Stop |
| 223812 | 15051 | " " " " Spring |
| 224014 | 15056 | " " (front) |
| 203208 | 15054 | Bobbin (2) |
| 235769 | 15054 | " Case Base with 202056, 203211 to 203213 and 203216 |
| 203211 | 15054 | Bobbin Case Base Latch |
| *202056 | ----- | " " " " Pin |
| 203212 | 15054 | " " " " Plunger .. |
| 203213 | 15054 | " " " " Spring ... |
| 235770 | 15054 | " " Cap with 200594c, 200984c and 235771 |
| 236078 | 15054 | Bobbin Case Lever |
| *203476 | ----- | " " " Eccentric |
| 204243 | 15054 | " " " " Position Pin |
| 235751 | 15054 | Bobbin Case Lever Fulcrum |
| 200066D | 15054 | " " " " Screw .. |
| 203478 | 15054 | " " " " Stud ... |
| 235771 | 15054 | " " Tension Spring |
| 200984c | 15054 | " " " " Regulat- ing Screw |
| 200594c | 15054 | Bobbin Case Tension Spring Screw |
| 203216 | ----- | " " Washer (cloth) |
| 235772 | 15054 | Bobbin Case complete, Nos. 235769 and 235770 |
| 247505 | 15053 | Face Plate |
| 202135 | 15055 | " " Position Pin |
| 200462B | 15069 | " " Thumb Screw |
| 235697 | 15055 | Feed Bar with 201535E, 204189 and 350219E |
| 200641c | 15057 | Feed Bar Hinge Screw |
| 201522E | 15057 | " " " " Nut |
| 202276 | 15057 | " " Slide Block |
| 200205F | 15051 | " " " " Hinge Screw |
| 201518E | 15051 | " " " " " " Nut |
| 204443 | 15062 | Feed Bar Spring |
| 203060 | 15062 | " " " Hook |
| 204189 | 15055 | " " " " |
| 247692 | ----- | " Dog |
| 200106E | 15051 | " " Screw (2) |
| 350219E | 15051 | " " Support Screw |

| No. | Plate | Name |
|---------|-------|---|
| 201535E | 15051 | Feed Dog Support Screw Nut |
| 247677 | 15056 | " Driving Cam with two 200347c |
| 200347c | 15051 | " " " Set Screw |
| 247507 | 15056 | " " Connection |
| 235513 | 15051 | " " " Bearing |
| 202298 | 15051 | " " " Crank with 200038c |
| 200038c | 15051 | Feed Driving Connection Crank Pinch Screw |
| 201306c | 15051 | Feed Driving Connection Hinge Screw |
| 201518E | 15051 | Feed Driving Connection Hinge Screw Nut |
| 247508 | 15056 | Feed Driving Rock Shaft |
| 247509 | — | " " " " 247508 with 200641c, 201522E and 235697 |
| 235619 | 15051 | Feed Driving Rock Shaft Center (2) |
| 200043c | 15051 | " " " " " Set Screw (2) |
| 247586 | 15056 | Feed Driving Segment Lever with 201311c, 201531c, 201871, 235637 and 247511 |
| 235637 | 15055 | Feed Driving Segment Lever Pin .. |
| 201871 | 15055 | " " " " Roller |
| 201311c | 15055 | " " " " " " Screw Stud |
| 201531E | 15055 | Feed Driving Segment Lever Roller Screw Stud Nut |
| 247511 | — | Feed Driving Segment Lever Shaft |
| 247512 | 15055 | " " " " " " Bushing (left) |
| 247513 | 15055 | Feed Driving Segment Lever Shaft Bushing (right) |
| 200346c | 15055 | Feed Driving Segment Lever Shaft Bushing Set Screw (2) |
| 247593 | 15055 | Feed Driving Segment Lever Shaft Collar with 200119F |
| 200119F | 15055 | Feed Driving Segment Lever Shaft Collar Set Screw |
| 247678 | 15058 | Feed Lifting Cam and Gear, 54 teeth |
| 200540D | 15055 | " " " " " Cap Screw |
| 222521 | 15055 | Feed Lifting Cam and Gear Cap Screw Washer |
| 247515 | 15058 | Feed Lifting Cam and Gear Driving Pinion, 18 teeth, with two 200388c |
| 200388c | 15055 | Feed Lifting Cam and Gear Driving Pinion Set Screw |

| No. | Plate | Name |
|---------|-------|---|
| 247516 | 15058 | Feed Lifting Cam and Gear Shaft (hollow) with 204110 and two 204111 |
| 204110 | — | Feed Lifting Cam and Gear Shaft Oiling Leather |
| 204111 | — | Feed Lifting Cam and Gear Shaft Oiling Leather Pin (leather) . . . |
| 200363c | 15055 | Feed Lifting Cam and Gear Shaft Set Screw (2) |
| 247517 | 15058 | Feed Lifting Connection |
| 202298 | 15051 | " " " Crank with 200038c |
| 200038c | 15051 | Feed Lifting Connection Crank Pinch Screw |
| 201306c | 15051 | Feed Lifting Connection Hinge Screw (2) |
| 201518E | 15051 | Feed Lifting Connection Hinge Screw Nut (2) |
| 247518 | 15058 | Feed Lifting Lever |
| 201871 | 15055 | " " " Roller |
| 201097c | 15055 | " " " " Screw Stud |
| 201530E | 15055 | " " " " " " Nut |
| 247519 | 15052 | Feed Lifting Rock Shaft |
| 235619 | 15051 | " " " " Center (2) |
| 200043c | 15051 | " " " " " Set Screw (2) |
| 201309E | 15055 | Feed Regulating Screw Slide |
| 201652E | 15055 | " " " " Nut .. |
| 235524 | 15057 | " " " " Washer |
| *203511 | — | Hook (sewing) |
| 247520 | 15055 | " 203511 with 224100 and two 201253F |
| 247521 | — | Hook and Bobbin Case complete, Nos. 235772 and 247520 |
| 236086 | 15055 | Hook Driving Gear with 200383c and 200398c |
| 247522 | 15052 | Hook Driving Gear Guard |
| 200034c | 15055 | " " " " Screw (2) |
| 200398c | 15055 | " " " Position Screw |
| 200383c | 15055 | " " " Set Screw |
| 247523 | 15052 | " " Shaft |
| 235857 | 15055 | " " " Bevel Gear with 200374c and 200396c |
| *235858 | — | Hook Driving Shaft Bevel Gear Guard Section (back) |
| *235859 | — | Hook Driving Shaft Bevel Gear Guard Section (front) |
| 201405E | 15055 | Hook Driving Shaft Bevel Gear Guard Screw |

| No. | Plate | Name |
|---------|-------|--|
| 235860 | 15056 | Hook Driving Shaft Bevel Gear Guard complete, Nos. 201405r, 235858 and 235859 |
| 200396c | 15055 | Hook Driving Shaft Bevel Gear Position Screw |
| 200374c | 15055 | Hook Driving Shaft Bevel Gear Set Screw |
| 247524 | 15058 | Hook Driving Shaft Bushing (back) |
| 247578 | 15058 | " " " (center or front) (2) |
| 200346c | 15055 | Hook Driving Shaft Bushing Set Screw (3) |
| 221743 | 15055 | Hook Driving Shaft Collar with two 200380c |
| 200380c | 15055 | Hook Driving Shaft Collar Set Screw |
| 224100 | 15057 | Hook Gib |
| 201253F | 15057 | " " Screw |
| 247525 | 15058 | " Saddle (left or right) |
| 200034c | 15055 | " " Screw (4) |
| 235865 | 15057 | " " Washer (4) |
| 247526 | --- | Hook Saddle (left or right) complete, Nos. 200056d, 200555u, 203478, 235751, 235866, 236078, 236088, 247521, 247525 and 247527 (2) |
| 235866 | 15057 | Hook Socket |
| 236088 | 15055 | " " Gear (spiral) with 200378c and 200383c |
| 200378c | 15057 | Hook Socket Gear Position Screw .. |
| 200383c | 15055 | " " " Set Screw |
| 200555u | 15057 | " " Screw (2) |
| 247527 | 15057 | " Washer with 203476 and two 204243 |
| 247663 | --- | Knee Lifter Bell Crank |
| 247664 | --- | " " " " Bracket |
| 247665 | 15058 | " " " " " 247664 with 5601 and 247663 |
| 178F | 15057 | Knee Lifter Bell Crank Bracket Screw (2) |
| 5601 | 15057 | Knee Lifter Bell Crank Hinge Pin |
| 5735 | 15057 | " " " " Spring |
| 247528 | 15052 | " " Lifting Lever |
| 247529 | 15052 | " " " " Connecting Rod with 202302 |
| 202302 | 15057 | Knee Lifter Lifting Lever Connecting Rod Cotter Pin |
| 12416 | 15057 | Knee Lifter Lifting Lever Connecting Rod Joint |

| No. | Plate | Name |
|---------|-------|---|
| 359242u | 15057 | Knee Lifter Lifting Lever Connecting Rod Joint Hinge Screw |
| 201520u | 15057 | Knee Lifter Lifting Lever Connecting Rod Joint Hinge Screw Nut .. |
| 1521E | 15057 | Knee Lifter Lifting Lever Connecting Rod Lock Nut |
| 206628 | 15057 | Knee Lifter Lifting Lever Connecting Rod Spring |
| 227625 | 15057 | Knee Lifter Lifting Lever Connecting Rod Spring Collar with 200113F |
| 200113F | 15055 | Knee Lifter Lifting Lever Connecting Rod Spring Collar Set Screw |
| 200262u | 15057 | Knee Lifter Lifting Lever Hinge Screw |
| 247531 | 15059 | Needle Bar |
| 247532 | 15059 | " " Bushing (lower) |
| 247533 | 15059 | " " " (upper) |
| 200338c | 15051 | " " " Set Screw (2) .. |
| 202552 | 15059 | " " Connecting Link |
| 202333 | 15059 | " " " Stud with 202254 |
| 202254 | --- | Needle Bar Connecting Link Stud Oil Packing (wick) |
| 200374c | 15055 | Needle Bar Connecting Link Stud Set Screw |
| 200383c | 15055 | Needle Bar Connecting Link Stud Set Screw |
| 247534 | 15059 | Needle Bar Connecting Stud with 200072c and 222598 |
| 222598 | --- | Needle Bar Connecting Stud Oil Packing (wick) |
| 200072c | 15059 | Needle Bar Connecting Stud Pinch Screw |
| 201992 | 15059 | Needle Bar Connecting Stud Roller |
| 247535 | 15058 | " " Crank with 200335c, 200374c, 200383c, 200428c and 202333 |
| 203172 | 15059 | Needle Bar Crank Friction Washer |
| 200428c | 15059 | " " " Position Screw .. |
| 200335c | 15051 | " " " Set Screw |
| 213256 | 15059 | " " Thread Guide |
| 200130F | 15059 | " Clamping Screw |
| 247583 | 15059 | " Holder (left) with two 200130F |
| 247584 | 15059 | Needle Holder (right) with two 200130F |
| 247676 | 15061 | Needle Holder Bracket with 201030F |

| No. | Plate | Name |
|---------|-------|--|
| 247687 | — | Needle Holder Bracket 247676 with 213239, 213256, 234766, 247583, 247584, 350239c, two each 200172H, 201183F, 350240c, three each 201537H and 225604 |
| 201030F | 15059 | Needle Holder Bracket Screw |
| 201183F | 15059 | " " Cap Screw |
| 350240c | 15061 | " " Hinge Stud |
| 201537H | 15051 | " " " " Nut |
| 225604 | 15051 | " " " " Washer |
| 234766 | 15061 | " " Thread Guide |
| 200172H | 15059 | " " " " Screw |
| 247541 | 15061 | " Vibrating Bell Crank (left) .. |
| 247542 | 15061 | " " " " (right) .. |
| 210932 | 15061 | " " " " Hinge Stud with 210933 |
| 210933 | — | Needle Vibrating Bell Crank Hinge Stud Oil Packing (wick) |
| 200347c | 15051 | Needle Vibrating Bell Crank Hinge Stud Set Screw |
| 247543 | 15061 | Needle Vibrating Bell Crank Link (2) |
| 247679 | 15060 | Needle Vibrating Cam with two 200382c |
| 200382c | 15061 | Needle Vibrating Cam Set Screw .. |
| 247682 | 15060 | " " " " Spacing Washer |
| 247545 | 15061 | Needle Vibrating Connection Rod (2) |
| 200130F | 15059 | Needle Vibrating Connection Rod Clamping Screw |
| 247577 | 15061 | Needle Vibrating Connection Rod Swivel (2) |
| 247546 | 15061 | Needle Vibrating Crank (right) with 200072c |
| 247547 | 15061 | Needle Vibrating Crank (left) with 200072c |
| 200072c | 15059 | Needle Vibrating Crank Pinch Screw |
| 247590 | 15060 | Needle Vibrating Lever with 201141c and 201888 |
| 247549 | 15060 | Needle Vibrating Lever Pitman (long) |
| 247591 | 15060 | Needle Vibrating Lever Pitman (short) |
| 247550 | 15062 | Needle Vibrating Lever Pitman Connection (2) |
| 200064F | 15062 | Needle Vibrating Lever Pitman Connection Screw (2) |

| No. | Plate | Name |
|---------|-------|--|
| 247551 | 15060 | Needle Vibrating Lever Pitman Guard with 200347c and 200363c .. |
| 200347c | 15051 | Needle Vibrating Lever Pitman Guard Adjusting Screw |
| 200363c | 15055 | Needle Vibrating Lever Pitman Guard Set Screw |
| 247552 | 15062 | Needle Vibrating Lever Pitman Swivel with 200110b (4) |
| 200110b | 15062 | Needle Vibrating Lever Pitman Set Screw |
| 201888 | 15062 | Needle Vibrating Lever Roller |
| 201141c | 15062 | " " " " " Screw Stud |
| 247568 | 15060 | Needle Vibrating Lever Shaft |
| 247569 | 15062 | " " " " " Bushing (back) |
| 235601 | 15062 | Needle Vibrating Lever Shaft Bushing (front) |
| 247593 | 15055 | Needle Vibrating Lever Shaft Collar with 200119F (3) |
| 200119F | 15055 | Needle Vibrating Lever Shaft Collar Set Screw |
| 206064 | — | Needle Vibrating Lever Spring |
| 203060 | 15062 | " " " " " Hook (2) |
| 247553 | 15062 | Needle Vibrating Rock Shaft (left) |
| 247554 | — | " " " " " 247553 with 232343 and 247558 .. |
| 247555 | 15062 | Needle Vibrating Rock Shaft (right) |
| 247557 | — | " " " " " 247555 with 232343, 247556 and 247558 |
| 247579 | 15062 | Needle Vibrating Rock Shaft Bush- ing (4) |
| 247556 | 15062 | Needle Vibrating Rock Shaft (right) Collar |
| 247558 | 15062 | Needle Vibrating Rock Shaft Crank (left or right) |
| 232343 | 15062 | Needle Vibrating Rock Shaft Crank Position Pin |
| 234773 | 15061 | Piercer |
| 247559 | 15060 | " Bar |
| 247560 | — | " " 247559 with 221481 and 247561 |
| 247561 | 15062 | Piercer Bar Bushing (lower) |
| 221481 | 15062 | " " " (upper) |
| 200342c | 15062 | " " " Set Screw (2) .. |
| 213248 | 15062 | " " Driving Cam with two 200362c |

| No. | Plate | Name |
|---------|-------|---|
| 247592 | 15062 | Piercer Bar Driving Cam Connection with 200057H and 200066D .. |
| 247563 | 15063 | Piercer Bar Driving Cam Connection Crank with 200070c |
| 350274c | 15063 | Piercer Bar Driving Cam Connection Crank Hinge Screw |
| 201520H | 15057 | Piercer Bar Driving Cam Connection Crank Hinge Screw Nut |
| 200070c | 15063 | Piercer Bar Driving Cam Connection Crank Pinch Screw |
| 200057H | 15063 | Piercer Bar Driving Cam Connection Pinch Screw |
| 200066D | 15054 | Piercer Bar Driving Cam Connection Pinch Screw |
| 213740 | 15063 | Piercer Bar Driving Cam Retaining Washer |
| 200128E | 15063 | Piercer Bar Driving Cam Retaining Washer Screw |
| 200362c | 15063 | Piercer Bar Driving Cam Set Screw |
| 213249 | 15063 | Piercer Bar Lifting Bracket with two 201052c |
| 201052c | 15063 | Piercer Bar Lifting Bracket Set Screw |
| 213804 | 15060 | Piercer Bar Lifting Rock Shaft |
| 215720 | 15063 | " " " " " Bushing (2) |
| 200043c | 15051 | Piercer Bar Lifting Rock Shaft Bushing Set Screw (2) |
| 201524E | 15063 | Piercer Bar Lifting Rock Shaft Bushing Set Screw Nut (2) |
| 204197 | 15063 | Piercer Bar Lifting Rock Shaft Collar with 200113F |
| 200113F | 15055 | Piercer Bar Lifting Rock Shaft Collar Set Screw |
| 213255 | 15064 | Piercer Bar Lifting Rock Shaft Crank with 201812, 205532 and 213804 |
| 214004 | --- | Piercer Bar Lifting Rock Shaft Crank 213255 with 213249 |
| 205532 | 15063 | Piercer Bar Lifting Rock Shaft Crank Position Pin |
| 201812 | 15063 | Piercer Bar Lifting Rock Shaft Crank Roller and Stud |
| 213253 | 15063 | Piercer Holder with 200117F |
| 200076D | 15063 | " " Screw |
| 200117F | 15051 | " Set Screw |
| 213791 | 15064 | Presser Bar |
| 224391 | 15063 | " " Bushing |
| 200398c | 15055 | " " " Set Screw |
| 247564 | 15063 | " " Lifter |

| No. | Plate | Name |
|---------|-------|--|
| 247565 | 15063 | Presser Bar Lifting Lever with 200378c |
| 200378c | 15057 | Presser Bar Lifting Lever Set Screw |
| 241004 | 15063 | Presser Bar Lifting Releasing Lever Bracket |
| 200260E | 15063 | Presser Bar Lifting Releasing Lever Bracket Guide Screw |
| 206608 | 15063 | Presser Bar Lifting Releasing Lever Bracket Spring |
| 233634 | 15065 | Presser Bar Position Guide |
| 202338 | 15065 | " " " " Lever with 200086F |
| 200086F | 15065 | Presser Bar Position Guide Lever Pinch Screw |
| 200352c | 15065 | Presser Bar Position Guide Set Screw |
| 247567 | 15065 | Presser Bar Sleeve |
| 247580 | 15065 | " " Spring |
| 234044 | 15065 | " " " Stop Rod |
| 200492B | 15065 | " " Thumb Screw (pressure regulating) |
| 200475B | 15065 | Presser Bar Thumb Screw Thumb Set Screw |
| 202355 | 15065 | Presser Bar Thumb Screw Thumb Set Screw Packing (brass) (2) .. |
| 200436F | 15065 | Presser Foot Adjusting Screw |
| 200086F | 15065 | " " " " Clamp Screw |
| 221479 | 15065 | Presser Foot Hinge Pin |
| 229685 | 15065 | " " " Stud |
| 200397H | 15065 | " " " " Set Screw |
| 234757 | --- | " " Plate (left) |
| 234770 | --- | " " (right) |
| 234759 | --- | " " Shank (left) with 200086F, 200397H and 200436F ... |
| 234760 | 13426 | Presser Foot Shank 234759 with 221479 and 234757 |
| 234761 | --- | Presser Foot Shank (right) with 200086F |
| 234771 | 13426 | Presser Foot Shank 234761 with 221479 and 234770 |
| 200086F | 15065 | Presser Foot Shank (right) Set Screw |
| 247582 | 15065 | Presser Foot Spring |
| 202737 | 15065 | " " " Collar with 200380c |
| 200380c | 15055 | Presser Foot Spring Collar Set Screw |

| No. | Plate | Name |
|---------|-------|--|
| 234772 | 13426 | Presser Foot (hinged) complete, Nos. 229685, 234760 and 234771.. |
| 247570 | 15065 | Take-up Lever |
| 202399 | 15065 | " " Driving Stud with 202277 |
| 202277 | — | Take-up Lever Driving Stud Oil Packing (wick) |
| 202400 | 15065 | Take-up Lever Hinge Stud with 202423 |
| 202423 | — | Take-up Lever Hinge Stud Oil Packing (wick) |
| 200352c | 15065 | Take-up Lever Hinge Stud Set Screw |
| 202401 | — | Take-up Lever Oiling Felt |
| 200132E | 15059 | " " " " Screw |
| 234086 | 15066 | Tension Bracket with two each 200397H, 201224B and 236060 ... |
| 234087 | — | Tension Bracket complete, Nos. 200174H, 200978H, 201199F, 223703, 223706, 223707, 234086, 236098, two each 13710, 200309E, 204059, 204271, 223704, three 201572B and four 244007 |
| 200159H | 15066 | Tension Bracket Screw |
| 234047 | 15066 | " " " Socket |
| 200355H | 15066 | " " " " Set Screw |
| 236098 | 15066 | Tension Bracket Thread Guide (double) |
| 200174H | 15066 | Tension Bracket Thread Guide Screw |
| 244007 | 15066 | Tension Disc |
| 236060 | 15066 | " " Position Pin |
| 223703 | 15066 | " Release Lever |
| 247571 | 15066 | " " " Rod |
| 247572 | 15066 | " " " " Extension |
| 200309E | 15066 | " " " Screw |
| 223704 | 15066 | " " Plunger |
| 204271 | 15066 | " " Washer |
| 13710 | 15066 | " Spring |
| 201224B | 15066 | " Stud |
| 201572 | 10881 | " Thumb Nut |
| 223706 | 15066 | Thread Controller Disc |
| 200978H | 15066 | " " " Screw |
| 223707 | 15066 | " " Spring |
| 242117 | 15067 | " " " Stop |
| 200132E | 15059 | " " " " Screw |
| 201199F | 15067 | " " Stud with 204925 |
| 201572B | 10881 | " " " Thumb Nut |
| 200061c | 15067 | " " " Set Screw |

| No. | Plate | Name |
|---------|-------|--|
| 204925 | 15067 | Thread Controller Stud Washer ... |
| 224028 | 15067 | " Guide |
| 210954 | 15067 | " " |
| 200582H | 15067 | " " Screw |
| 204059 | — | Thread Retainer complete, Nos. 202091, 202092 and 204058 |
| 202091 | 15067 | Thread Retainer Sleeve |
| 202092 | 15067 | " " Spring |
| 204058 | 15067 | " " Stud |
| 200397H | 15065 | " " " Set Screw |
| 247693 | — | Throat Plate with 200587D and 247694 |
| 200161D | 15071 | Throat Plate Clamping Screw |
| 247694 | — | " " Needle Guard |
| 200587D | 15071 | " " " " Screw |
| 203376 | 15071 | " " Position Pin |
| 200577H | 15071 | " " Screw |
| 236051 | 15064 | Vertical Shaft |
| 235857 | 15055 | " " Bevel Gear (lower) with 200374c and 200396c |
| 236053 | 15067 | Vertical Shaft Bevel Gear (upper) with 200374c and 200396c |
| 200396c | 15055 | Vertical Shaft Bevel Gear Position Screw |
| 200374c | 15055 | Vertical Shaft Bevel Gear Set Screw |
| 236054 | 15064 | Vertical Shaft Bushing (lower) ... |
| 247573 | 15067 | " " " (upper) |
| 247574 | 15067 | " " " " Oil Tube (brass) |
| 247575 | 15067 | Vertical Shaft Bushing (lower) Oil Tube (brass) |
| 200346c | 15055 | Vertical Shaft Bushing Set Screw (2) |
| 247576 | 15067 | Vertical Shaft Driving Bevel Gear with 200378c and 200396c |
| 200378c | 15057 | Vertical Shaft Driving Bevel Gear Set Screw |
| 200396c | 15055 | Vertical Shaft Driving Bevel Gear Position Screw |

ACCESSORIES

FOR MACHINE No. 119w1

| No. | Plate | Name |
|---------|-------|---|
| 234739 | 15051 | Auxiliary Piercer |
| 203208 | 15054 | Bobbin (10) |
| *225482 | — | " Case Screw Driver Blade ... |
| *225483 | — | " " " " Handle .. |
| 225497 | 14383 | Bobbin Case Screw Driver complete, Nos. 225482 and 225483 ... |
| 213825 | 15062 | Piercer |
| 213826 | 15062 | " |
| 225486 | 15068 | Wrench |
| 234702 | 15068 | Tweezers |
| 130x19 | — | Needles, twelve, size 14 |
| 228235 | — | Drip Pan with four 1 in. wire nails |
| 12361 | 15068 | Machine Hinge Connection (2) ... |
| 41400 | 14383 | Machine Rest Pin (wood) |
| 120342 | 14383 | Oiler (copper plated) with 120343.. |
| 120343 | 14383 | " Spout, 3½ in. long |
| *225484 | — | Screw Driver Blade |
| *225485 | — | " " Handle |
| 225498 | 14383 | Screw Driver complete (7¼ in. long), Nos. 225484 and 225485 ... |
| 225554 | 14383 | Wrench |
| 10875 | 15068 | " |

BOBBIN WINDER

| | | |
|---------|-------|-----------------------------------|
| 225453 | 10884 | Frame with 202277 and 225438 |
| 225454 | 10884 | " Hinge Pin |
| 202277 | — | " Oil Packing (wick) |
| 225438 | 10884 | " " Well Cap |
| 225455 | 10884 | " Spring |
| 225456 | 10884 | " " Plunger |
| 202473 | 10885 | Pulley with 200380c |
| 200380c | 15055 | " Set Screw |
| 225381 | 10884 | Spindle |
| 225444 | 10884 | Stop Latch |
| 200056E | 10884 | " " Screw |
| 225458 | 10884 | " " Thumb Lever |
| 225459 | 10884 | " " " " Hinge Stud |
| 225459 | 10884 | " " " " Joint Stud |
| 202478 | 10884 | " " Trip Lever |
| 200299n | 10884 | " " " " Hinge Screw |

| No. | Plate | Name |
|---------|-------|--|
| 225461 | 10881 | Tension Bracket with 201499n |
| 200082D | 10881 | " " Screw |
| 228026 | 10884 | " " " Washer |
| 2102 | 10881 | " Disc |
| 202407 | 10881 | " Spring |
| 201499n | 10881 | " Stud |
| 201572n | 10881 | " " Thumb Nut |
| 225462 | 10881 | Bobbin Winder Tension Bracket complete, Nos. 201572n, 202497, 225461 and two 2102 |
| 225433 | 10885 | Bobbin Winder and Tension Bracket Base |
| 225382 | 10885 | Universal Bobbin Winder complete, Nos. 200056E, 200082D, 200299n, 202473, 202478, 225381, 225433, 225444, 225453 to 225456, 225458, 225462, 228026, two each 225459 and wood screws ¾ in., No. 12, R.H.B. |

KNEE LIFTER

| | | |
|-------|-------|--|
| 2763 | 15052 | Rock Shaft |
| 7539 | 15052 | " " Hanger with two wood screws 1 in., No. 10 |
| 2765 | 15052 | Rock Shaft Knee Arm |
| 2768 | — | " " " " 2765 with 2766 and 2767 |
| 2766 | 15052 | Rock Shaft Knee Arm Hub with 356c |
| 356c | 15069 | Rock Shaft Knee Arm Hub Set Screw |
| 2767 | 15052 | Rock Shaft Knee Plate with 356c.. |
| 356c | 15069 | " " " " Set Screw |
| 6337 | 15052 | " " Lifting Bracket with two 356c |
| 2778 | 15052 | Rock Shaft Lifting Bracket Hook |
| 356c | 15069 | " " " " " " Set Screw |
| 356c | 15069 | Rock Shaft Lifting Bracket Set Screw |
| 2770 | 15052 | Rock Shaft Stop Dog with 356c ... |
| 356c | 15069 | " " " " Set Screw .. |
| 12250 | 15052 | Knee Lifter Rock Shaft complete, Nos. 2763, 2768, 2778, 6337, two each 2770 and 7539 |

THREAD UNWINDER

| No. | Plate | Name |
|---------|-------|--|
| 225389 | 14083 | Spool Rest (for one spool) with 201018c |
| 225395 | 14083 | Spool Rest (for two spools) with 201018c |
| 225388 | 14083 | Spool Rest Rod |
| 200383c | 15055 | " " " Set Screw |
| 201018c | 15069 | " " " Set Screw |
| 202490 | 14083 | " Stand with 200383c |
| 225391 | 14083 | Thread Guide |
| 201696J | 15069 | " " Lock Nut |
| 225392 | 14083 | " " Rod with 208E and 225393 |
| 208E | 15069 | Thread Guide Rod Screw |
| 225393 | 15069 | " " " Washer |
| 225397 | 14083 | Thread Unwinder (for three spools) complete, Nos. 201696J, 202490, 225388, 225389, 225392, 225395, three each 225391 and wood screws $\frac{3}{4}$ in., No. 12 |

FOR MACHINE No. 119w5

Same as for No. 119w1 with the following exceptions:

| | | |
|--------|-------|--|
| 234744 | 15051 | Auxiliary Piercer, in place of 234739 |
| 234773 | 15062 | Piercer, in place of 213825 |
| 130x27 | --- | Needles, twelve, size 16, in place of 130x19 |
| | | (213826 Piercer not used) |

Parts used in connection with but not included
in Thread Unwinder 225397

| | | |
|--------|-------|--------------------------------|
| 60913 | 14083 | Spool Weight with 60914 |
| 60914 | --- | " " Center Pin |
| 225377 | 14083 | " Wire, for small spools |
| 27739 | --- | Thread Cone (wood) |

PRESSER FEET

FOR MACHINE No. 119w1

| No. | Plate | Name |
|---------|-------|---|
| 200436F | 15065 | Presser Foot Adjusting Screw |
| 200086F | 15065 | " " " " Clamp Screw |
| 221479 | 15065 | Presser Foot Hinge Pin |
| 229685 | 15065 | " " " Stud |
| 200397H | 15065 | " " " " Set Screw |
| 229706 | 15071 | " " Plate (left) |
| 229707 | 15071 | " " " (right) |
| 206653 | 14214 | " " Shank (left) with 200086F, 200397H and 200436F ... |
| 229775 | 14214 | Presser Foot Shank 206653 with 221479 and 229706 |
| 229796 | --- | Presser Foot Shank (right) with 200086F |
| 229776 | 14214 | Presser Foot Shank 229796 with 221479 and 229707 |
| 200086F | 15065 | Presser Foot Shank (right) Set Screw |
| 229711 | 14214 | Presser Foot (hinged) (narrow) complete, Nos. 229685, 229775 and 229776 |
| 200436F | 15065 | Presser Foot Adjusting Screw |
| 200086F | 15065 | " " " " Clamp Screw |
| 221479 | 15065 | Presser Foot Hinge Pin |
| 229685 | 15065 | " " " Stud |
| 200397H | 15065 | " " " " Set Screw |
| 229706 | 15071 | " " Plate (left) |
| 229835 | --- | " " " (right) |
| 229672 | --- | " " Shank (left) with 200086F, 200397H and 200436F .. |
| 229772 | --- | Presser Foot Shank 229672 with 221479 and 229706 |
| 229796 | --- | Presser Foot Shank (right) with 200086F |
| 229836 | --- | Presser Foot Shank 229796 with 221479 and 229835 |
| 200086F | 15065 | Presser Foot Shank (right) Set Screw |
| 229837 | 15071 | Presser Foot (hinged) complete, Nos. 229685, 229772 and 229836 .. |

BALANCE WHEELS

| No. | Plate | Name |
|---------|-------|--|
| 247587 | 15052 | Balance Wheel, 5 in. diam., with 200328c and 200335c |
| 247589 | 15052 | Balance Wheel (heavy), 5½ in. diam. (belt groove 2¾ in. diam.), with 200328c and 200335c |
| 200013r | 15069 | Balance Wheel Adjusting Screw .. |
| 200328c | 15051 | " " Position Screw |
| 204170 | 15052 | " " Pulley (loose), 2¼ in. diameter |
| 204341 | 15069 | Balance Wheel Pulley Spring Washer |
| 200335c | 15051 | Balance Wheel Set Screw |
| 201569B | 15069 | " " Thumb Nut |
| 202016 | 15069 | " " " " Stop Washer |
| 247588 | — | Balance Wheel (belt groove 2¾ in. diam.) complete, Nos. 201569B, 202016, 204170, 204341 and 247587 |

CORD HOLDER

| | | |
|---------|-------|-------------------|
| 247581 | 15064 | Cord Holder |
| 200996c | 15069 | " " Screw |

HEMMERS

| No. | Plate | Name |
|--------|-------|--|
| 230192 | 11649 | Hemmer on Shank, for hems from ¾ to ½ inch |
| | | Note. State width required on order. |

HEMMER (REVERSE)

| | | |
|--------|-------|--|
| 230190 | 11649 | Hemmer on Shank, for hems from ¾ to ¾ inch |
| | | Note. State width required on order. |

HEMMER

(Right Hand)

Folds ¾ in. Hem

| | | |
|---------|-------|--|
| 230940 | 14606 | Base Plate with 225706 |
| 225706 | 15069 | " " Position Pin |
| 200246B | 15069 | " " Screw |
| 201525E | 15069 | " " " Nut |
| 225708 | 15069 | " " Spring |
| 230713 | 11650 | Folder on Shank |
| 200187B | 15069 | " " " Screw |
| 230484 | 15069 | " " " " Washer |
| 230714 | 11651 | Tongue with two 200133B |
| 200133B | 15069 | " Screw |
| 230711 | 11652 | Hemmer complete, Nos. 200246B, 201525E, 225708, 230484, 230713, 230714, 230940 and two 200187B.. |

HEMMER

(Right Hand)

Folds ¾ in. Hem

| | | |
|---------|-------|------------------------------|
| 230940 | 14606 | Base Plate with 225706 |
| 225706 | 15069 | " " Position Pin |
| 200246B | 15069 | " " Screw |
| 201525E | 15069 | " " " Nut |
| 225708 | 15069 | " " Spring |
| 230715 | 11650 | Folder on Shank |
| 200187B | 15069 | " " " Screw |
| 230484 | 15069 | " " " " Washer |

Hemmers

| No. | Plate | Name |
|---------|-------|--|
| 230716 | 11651 | Tongue with two 200103D |
| 200103D | 15069 | " Screw |
| 230712 | 11652 | Hemmer complete, Nos. 200246B, 201525E, 225708, 230484, 230715, 230716, 230940 and two 200187B.. |

HEMMER

(Right Hand) (Small Opening)

Folds $\frac{5}{8}$, $\frac{3}{8}$ and $\frac{1}{4}$ in. Hems

Note. State width of hem required.

| | | |
|---------|-------|--|
| 230940 | 14606 | Base Plate with 225706 |
| 225706 | 15069 | " " Position Pin |
| 200246B | 15069 | " " Screw |
| 201525E | 15069 | " " " Nut |
| 225708 | 15069 | " " Spring |
| 230532 | 14608 | Folder on Shank |
| 200187B | 15069 | " " " Screw |
| 230484 | 15069 | " " " Washer |
| 230533 | 14608 | Tongue with two 200133B |
| 200133B | 15069 | " Screw |
| 230535 | 14609 | Hemmer complete, Nos. 200246B, 201525E, 225708, 230484, 230532, 230533, 230940 and two 200187B.. |

HEMMER

(Right Hand) (Large Opening)

Folds $\frac{5}{8}$, $\frac{3}{8}$ and $\frac{1}{4}$ in. Hems

Note. State width of hem required.

| | | |
|---------|-------|--|
| 230940 | 14606 | Base Plate |
| 200246B | 15069 | " " Screw |
| 201525E | 15069 | " " " Nut |
| 225708 | 15069 | " " Spring |
| 230899 | 13425 | Folder on Shank |
| 200187B | 15069 | " " " Screw |
| 230484 | 15069 | " " " Washer |
| 230900 | 13425 | Tongue with two 200164B |
| 200164B | 15069 | " Screw |
| 230901 | ---- | Hemmer complete, Nos. 200246B, 201525E, 225708, 230484, 230899, 230900, 230940 and two 200187B.. |

Hemmers

HEMMER

(Right Hand)

Folds Hems from $\frac{7}{8}$ to $2\frac{1}{2}$ in., in steps of $\frac{1}{16}$ inch

| No. | Plate | Name |
|---------|-------|--|
| 230940 | 14606 | Base Plate with 225706 |
| 225706 | 15069 | " " Position Pin |
| 200246B | 15069 | " " Screw |
| 201525E | 15069 | " " " Nut |
| 225708 | 15069 | " " Spring |
| 230540 | 11650 | Folder on Shank |
| 200187B | 15069 | " " " Screw |
| 230484 | 15069 | " " " Washer |
| 230539 | 11651 | Tongue with two 200103D |
| 200103D | 15069 | " Screw |
| 230542 | 14609 | Hemmer complete, Nos. 200246B, 201525E, 225708, 230484, 230539, 230540, 230940 and two 200187B.. |

HEMMER (REVERSE)

(Right Hand)

Folds Hems from $\frac{1}{2}$ to $2\frac{3}{4}$ in., in steps of $\frac{1}{16}$ inch

Note. State width of hem required.

| | | |
|---------|-------|---|
| 230756 | 11651 | Base Plate with 225706 |
| 225706 | 15069 | " " Position Pin |
| 200246B | 15069 | " " Screw |
| 201525E | 15069 | " " " Nut |
| 225708 | 15069 | " " Spring |
| 230537 | 14608 | Folder on Shank |
| 200187B | 15069 | " " " Screw |
| 230484 | 15069 | " " " Washer |
| 230536 | 14608 | Tongue with two 200103D |
| 200103D | 15069 | " Screw |
| 230538 | 11652 | Hemmer (reverse) complete, Nos. 200246B, 201525E, 225708, 230484, 230536, 230537, 230756 and two 200187B |

HEMMER (ADJUSTABLE)

(Right Hand)

Folds Hems from $\frac{1}{2}$ to $2\frac{1}{4}$ inches

| | | |
|---------|-------|------------------------------|
| 230940 | 14606 | Base Plate with 225706 |
| 225706 | 15069 | " " Position Pin |
| 200246B | 15069 | " " Screw |
| 201525E | 15069 | " " " Nut |
| 225708 | 15069 | " " Spring |

Hemmers

| No. | Plate | Name |
|---------|-------|--|
| 230519 | 14606 | Bracket (lower) with two 200078D.. |
| 200158B | 15069 | " " Screw |
| 230484 | 15069 | " " Washer |
| 230521 | 14606 | " (upper) with 200462B and two 200160B |
| 200078D | 15069 | Bracket (upper) Screw |
| 230518 | 14606 | Folder Arm and Guard (left) |
| 200160B | 15069 | " " " " Screw |
| 230520 | 14606 | " and Arm (right) |
| 200462B | 15069 | " " " " Adjustable Thumb Screw |
| 226163 | 15069 | Folder and Arm (right) Adjustable Thumb Screw Washer |
| 230523 | 14606 | Tongue (left) with two 200164B ... |
| 200164B | 15069 | " " Screw |
| 230522 | 14606 | " (right) with two 200164B ... |
| 200164B | 15069 | " " Screw |
| 230525 | 14609 | Hemmer (adjustable) complete, Nos. 200246B, 201525E, 225708, 226163, 230484, 230518 to 230523, 230940 and two 200158B |

HEMMER (REVERSE) (ADJUSTABLE)

(Right Hand)

Folds Hems from $\frac{1}{2}$ to $2\frac{1}{2}$ inches

| | | |
|---------|-------|---|
| 230529 | 14607 | Base Plate with 225706 |
| 225706 | 15069 | " " Position Pin |
| 200246B | 15069 | " " Screw |
| 201525E | 15069 | " " " Nut |
| 225708 | 15069 | " " Spring |
| 230528 | 14607 | Folder Arm and Guard (left) with two 200155F |
| 200187B | 15069 | Folder Arm and Guard (left) Screw |
| 230484 | 15069 | " " " " " " " Washer |
| 230526 | 14607 | Folder and Arm (right) with two 200155F |
| 200469B | 15069 | Folder and Arm (right) Adjustable Thumb Screw |
| 226163 | 15069 | Folder and Arm (right) Adjustable Thumb Screw Washer |
| 230530 | 14607 | Tongue (left) |
| 230527 | 14607 | " (right) |
| 200155F | 15069 | " Screw |
| 230531 | 14609 | Hemmer (reverse) (adjustable) complete, Nos. 200246B, 200469B, 201525E, 225708, 226163, 230484, 230526 to 230530 and two 200187B |

HEMMER (ADJUSTABLE)

(Left Hand)

Folds Hems from $\frac{1}{2}$ to $2\frac{1}{4}$ inches

| No. | Plate | Name |
|---------|-------|--|
| 230516 | 14605 | Base Plate with 225706 |
| 225706 | 15069 | " " Position Pin |
| 200246B | 15069 | " " Screw |
| 201525E | 15069 | " " " Nut |
| 225708 | 15069 | " " Spring |
| 230515 | 14605 | Bracket (lower) with two 200078B |
| 200158B | 15069 | " " Screw |
| 230484 | 15069 | " " Washer |
| 230514 | 14605 | " (upper) with 200462B and two 200160B |
| 200078B | 15069 | Bracket (upper) Screw |
| 230510 | 14605 | Folder Arm and Guard (right) ... |
| 200160B | 15069 | " " " " Screw |
| 230511 | 14605 | " and Arm (left) |
| 200462B | 15069 | " " " " Adjustable Thumb Screw |
| 226163 | 15069 | Folder and Arm (left) Adjustable Thumb Screw Washer |
| 230512 | 14605 | Tongue (left) with two 200164B ... |
| 200164B | 15069 | " " Screw |
| 230513 | 14605 | " (right) with two 200164B ... |
| 200164B | 15069 | " " Screw |
| 230517 | 14609 | Hemmer (adjustable) (left hand) complete, Nos. 200246B, 201525E, 225708, 226163, 230484, 230510 to 230516 and two 200158B |

BOX PLAITER

(ADJUSTABLE)

| No. | Plate | Name |
|---------|-------|---|
| 230001 | 14526 | Base Plate |
| 230002 | 14526 | " " Arm Bracket with two 200344c |
| 200344c | 14527 | Base Plate Arm Bracket Adjusting Screw |
| 200048B | 14527 | Base Plate Arm Bracket Screw .. |
| 230003 | 14526 | " " Cloth Guide (left) |
| 230004 | 14526 | " " " " (right) |
| 200169B | 14527 | " " " " Screw |
| 200048B | 14527 | " " Screw |
| 230005 | 14527 | Folder Blade (left) (adjustable) .. |
| 230006 | 14527 | " " (right) (adjustable) .. |
| 230007 | 14526 | " " Plate |
| 200344c | 14527 | " " " Adjusting Screw |
| 200053B | 14527 | " " " Screw |
| 200169B | 14527 | " " Screw |
| 230008 | 14527 | Presser Foot |
| 230009 | 14528 | Space Gauge (left) |
| 230010 | 14528 | " " (right) |
| 230011 | 14528 | " " Adjustable Slide (left) |
| 230012 | — | " " " " 230011 with 200176B, 200186B, 202603 and 230009 |
| 230013 | 14528 | Space Gauge Adjustable Slide (right) |
| 230014 | 14529 | Space Gauge Adjustable Slide 230013 with 200176B, 200186B, 202603 and 230010 |
| 200186B | 14527 | Space Gauge Screw (long) |
| 202603 | 14527 | " " " " Washer |
| 200176B | 14527 | " " " (short) |
| 200472B | 14527 | " " Thumb Screw |
| 202603 | 14527 | " " " " Washer.. |
| 230015 | 14529 | Box Plaiter (adjustable) complete, Nos. 200472B, 202603, 230001 to 230008, 230012, 230014, two 200053B, four 200169B and five 200048B |

LAP SEAM FELLER

(ADJUSTABLE)

For Joining Lace to Cloth or Two Pieces of
Cloth with Double Hemstitch

| No. | Plate | Name |
|---------|-------|--|
| 230260 | 14581 | Base Plate |
| 200157B | 15069 | " " Screw |
| 230258 | 14581 | Folder on Shank (left) |
| 230259 | 14581 | " " " (right) |
| 200170B | 15069 | " Screw |
| 230261 | 14581 | Lap Seam Feller (adjustable) com- plete, Nos. 230258 to 230260 and two 200170B |

PICOT EDGE CUTTING DEVICE

| No. | Plate | Name |
|---------|-------|--|
| 247645 | 15064 | Face Plate |
| 234719 | 15070 | Blade (lower) |
| 350124c | 13427 | " " Position Screw Stud |
| 201634d | 13427 | " " " " " |
| | | Thumb Nut |
| 202603 | 14527 | Blade (lower) Position Screw Stud Washer |
| 234720 | 15070 | Blade (upper) |
| 247646 | 15064 | " Arm |
| 247647 | 15064 | " " Bracket with 200036d .. |
| 200036d | 15070 | " " " Pinch Screw |
| 247648 | 15064 | " " " Support |
| 200029e | 15070 | " " " " Screw |
| 200064f | 15062 | " " Screw |
| 234735 | 15070 | " " Shim |
| 234724 | 15070 | " Hinge Stud |
| 200162d | 13427 | " " " Cap Screw |
| 247649 | 15064 | " Operating Connection |
| 350125f | 13427 | " " " Hinge Screw (lower) |
| 201319c | 13427 | Blade Operating Connection Hinge Screw (upper) |
| 234726 | 15070 | Blade Operating Lever |
| 350126c | 13427 | " " " Screw |
| 201706c | 13427 | " " " " Nut .. |
| 221486 | 13427 | " Spring |
| 247644 | — | Picot Edge Cutting Device com- plete. Nos. 200162d, 201319c, 201634d, 201706c, 202603, 221486, 234719, 234720, 234724, 234726, 247646 to 247649, 350124c, 350125f, 350126c, two each 200029e, 200064f and 234735 |
| 200436f | 15065 | Presser Foot Adjusting Screw |
| 221479 | 15065 | " " Hinge Pin |
| 229685 | 15065 | " " " Stud |
| 200397u | 15065 | " " " " Set Screw |
| 234729 | — | " " Plate (left) |
| 234730 | — | " " " (right) |
| 234736 | — | " " Shank (left) with 200086f, 200397u and 200436f ... |
| 234731 | 13427 | Presser Foot Shank 234736 with 221479 and 234729 |

| No. | Plate | Name |
|---------|-------|---|
| 229796 | 15071 | Presser Foot Shank (right) with 200086f |
| 234732 | 13427 | Presser Foot Shank 229796 with 221479 and 234730 |
| 200086f | 15065 | Presser Foot Shank Set Screw |
| 234733 | 13427 | Presser Foot (hinged) complete, Nos. 229685, 234731 and 234732 .. |
| 247650 | — | Picot Edge Cutting Device and Presser Foot complete, Nos. 234733, 247644 and 247645 |

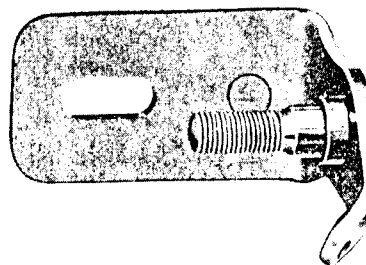
OBSOLETE PARTS

| | | |
|--------|-------|---|
| 247548 | 15064 | Needle Vibrating Lever with 201141c and 201888 |
|--------|-------|---|

**ILLUSTRATIONS OF PARTS
FOR
MACHINES
Nos. 119w1 and 119w5**

PLATE 10881—FULL SIZE

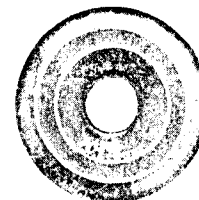
225461



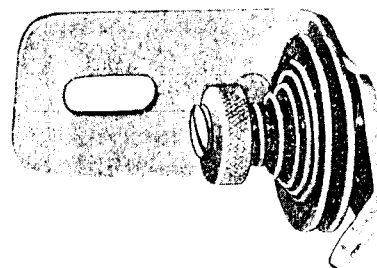
200082 202104



2102



225462



202407



201499



201572



PLATE 10884—FULL SIZE

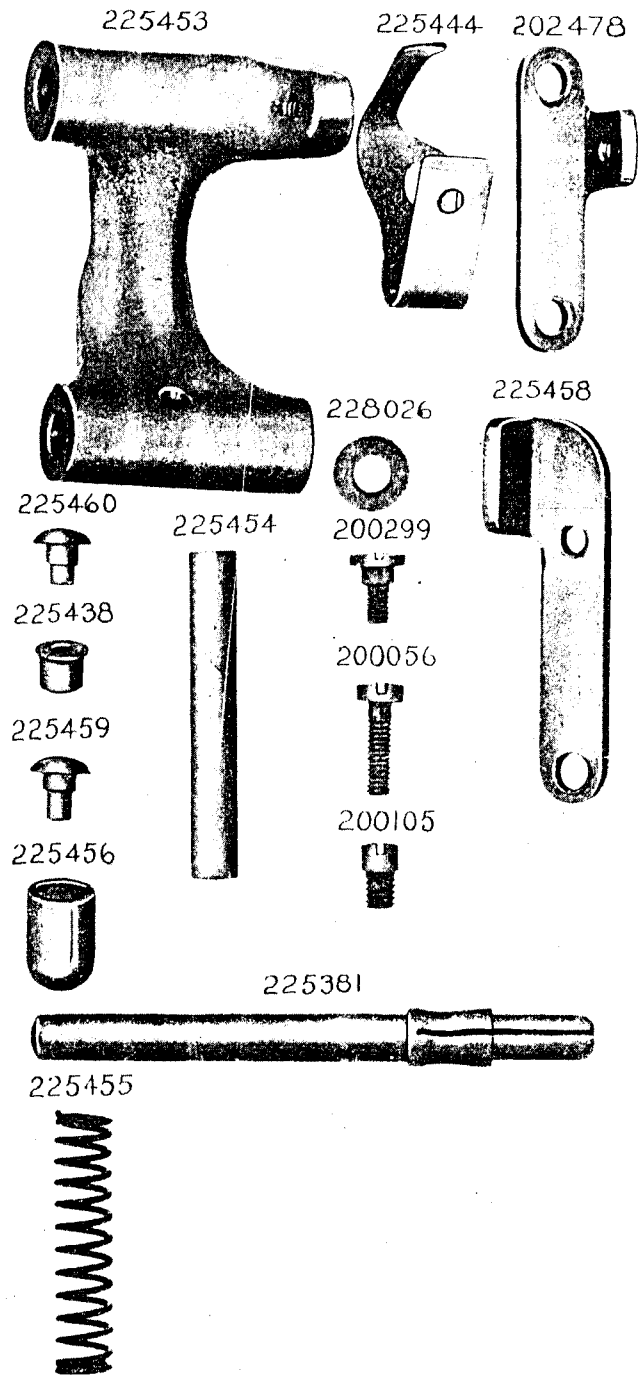


PLATE 10885—ONE-FOURTH SIZE

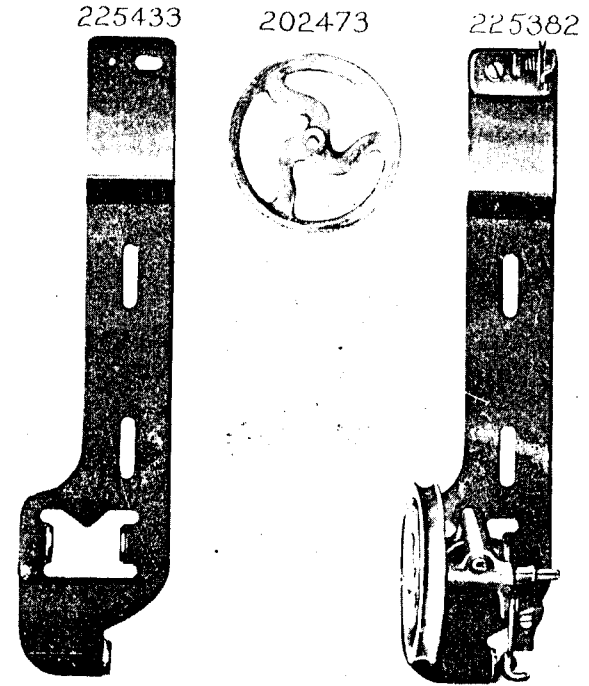


PLATE 11649—FULL SIZE

230190



230192

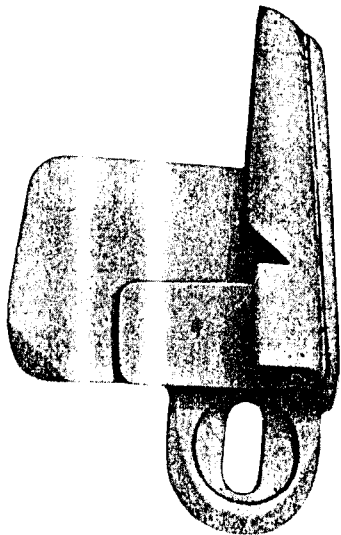
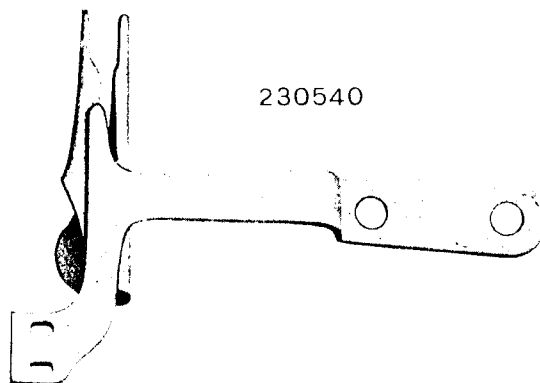
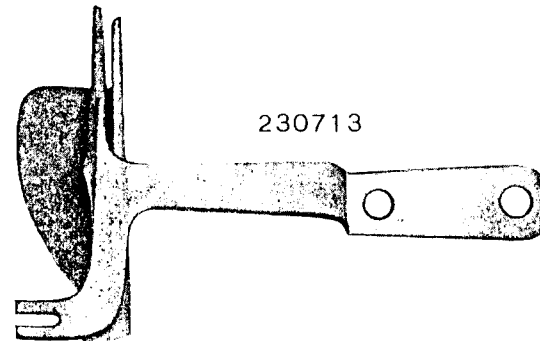


PLATE 11650—ONE-HALF SIZE

230540



230713



230715

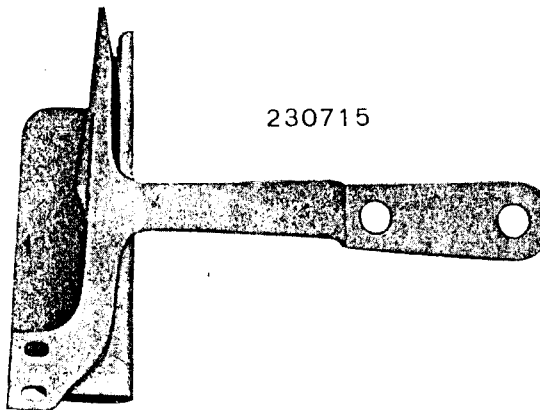


PLATE 11651 ONE-HALF SIZE

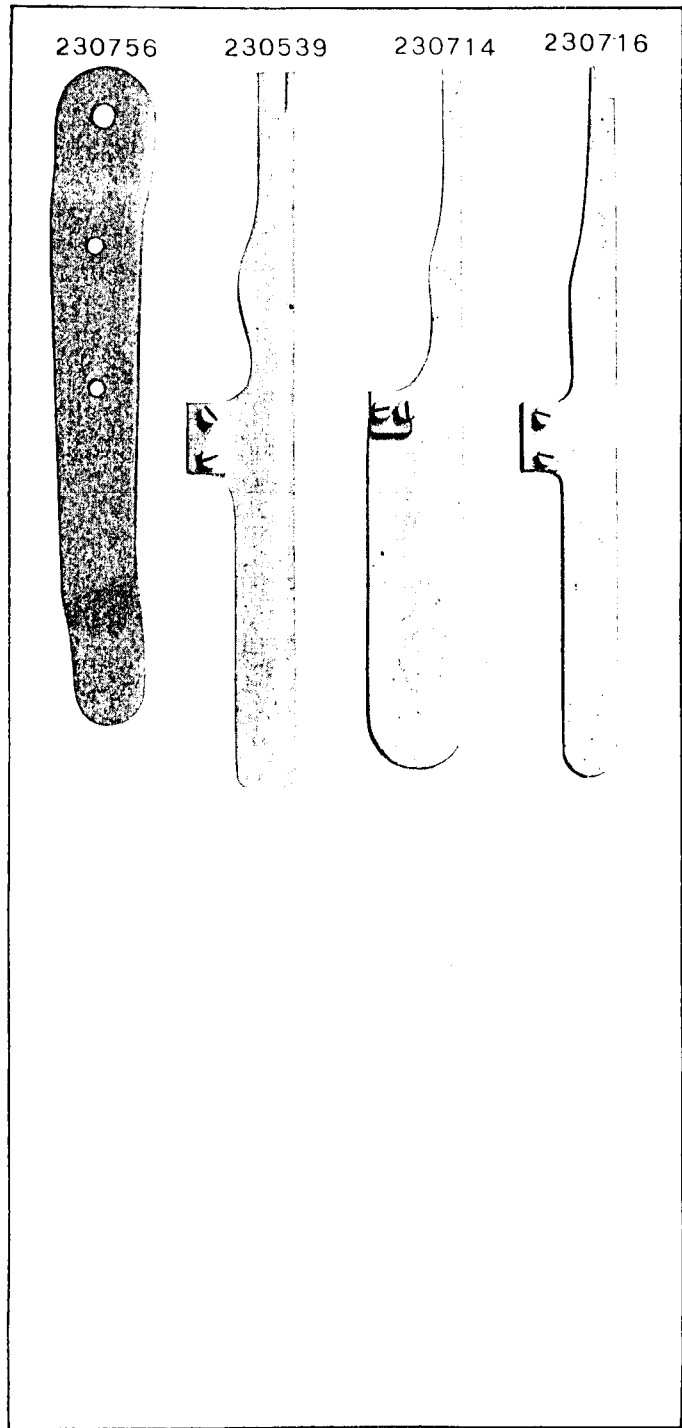


PLATE 11652 ONE-FOURTH SIZE

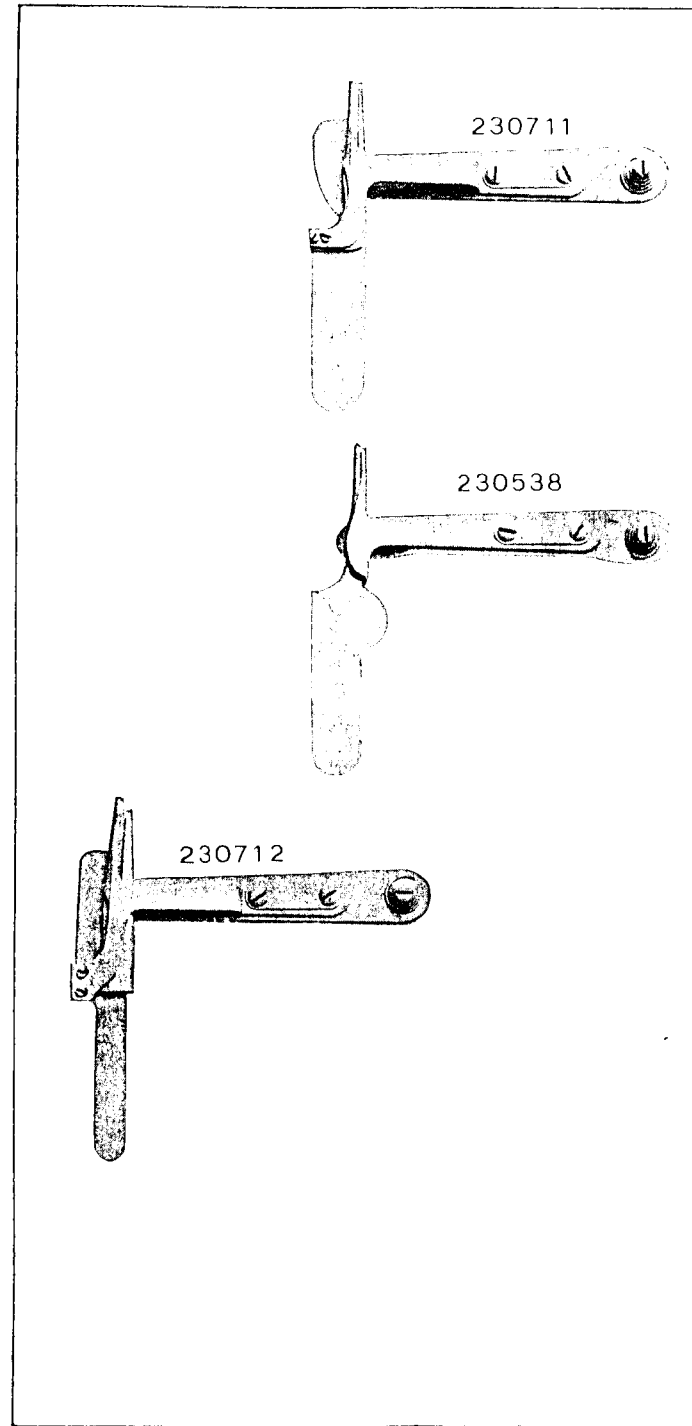


PLATE 13425—ONE-HALF SIZE

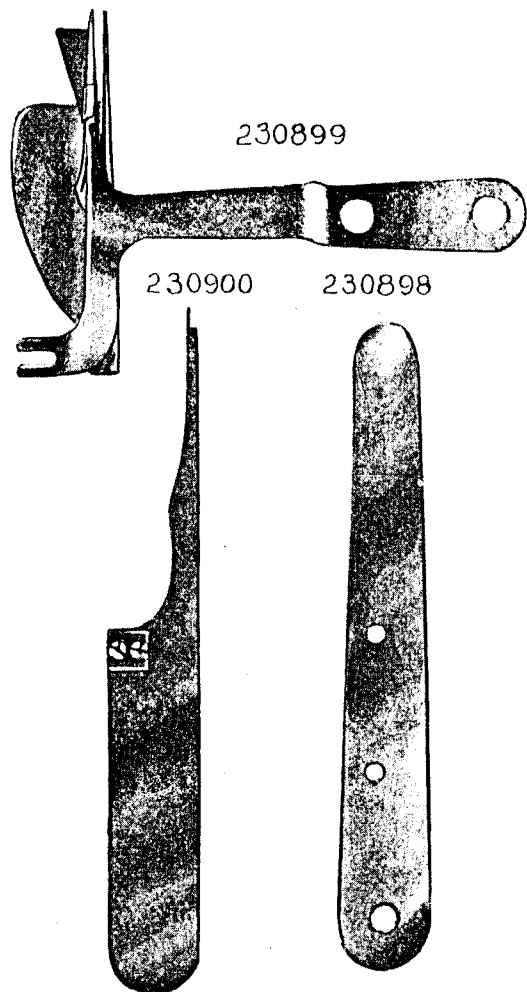


PLATE 13426—FULL SIZE

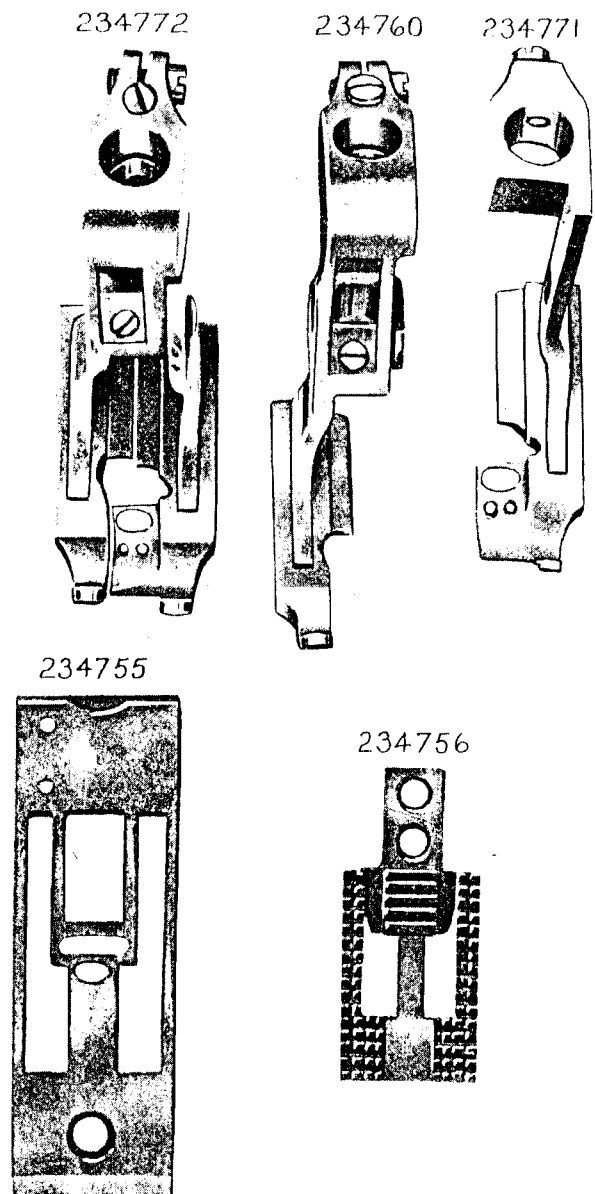


PLATE 13427—FULL SIZE

350124



234733



201634



200162



350125



201319



350126



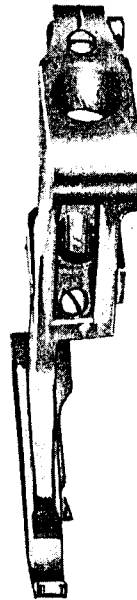
201706



221486



234731

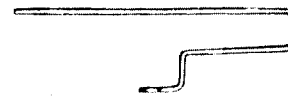


234732



PLATE 14083—ONE-SIXTH SIZE

225377



60913



225397

225391



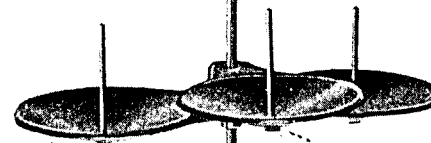
225391

225391

225392

225388

225395



225389

202490



PLATE 14214—FULL SIZE

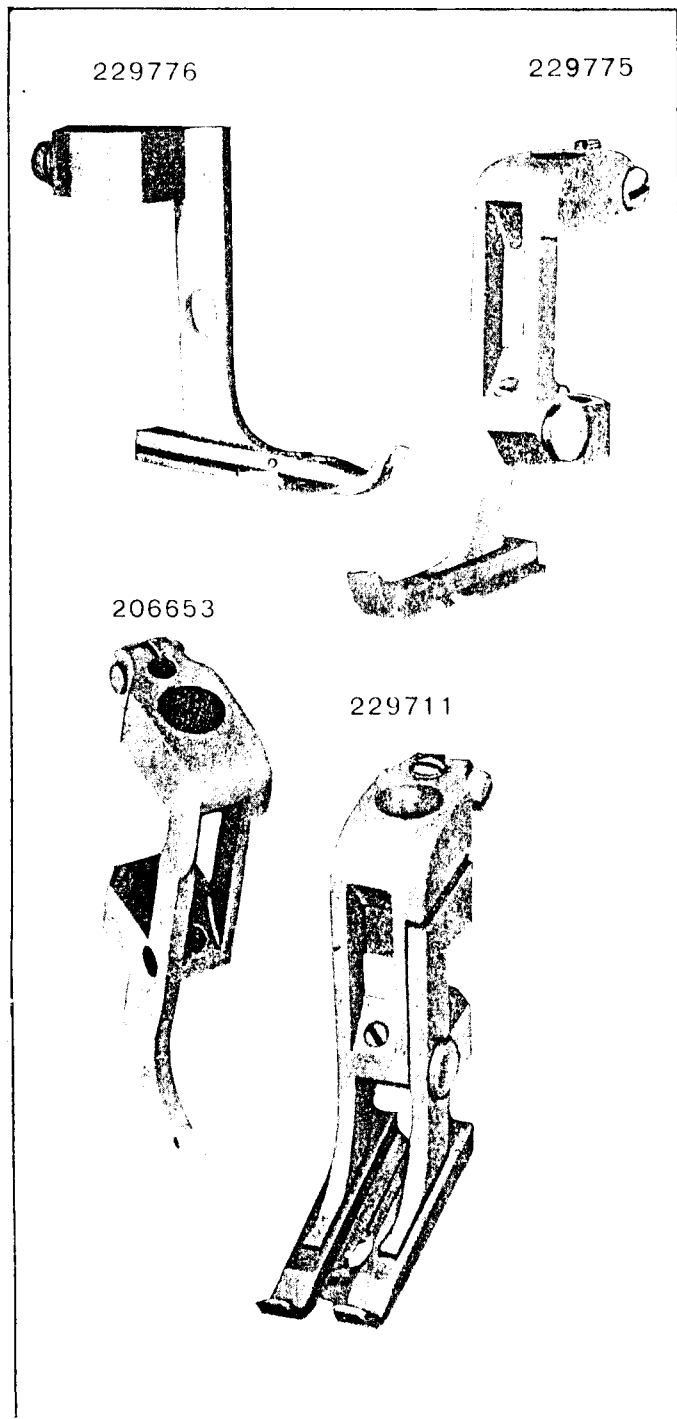


PLATE 14383—ONE-HALF SIZE

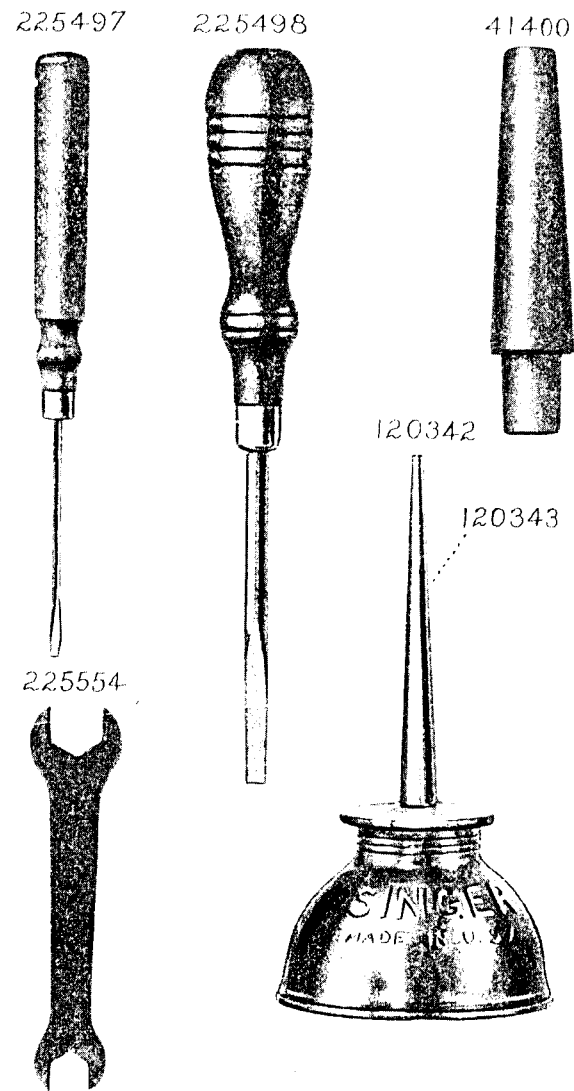


PLATE 14526—ONE-HALF SIZE

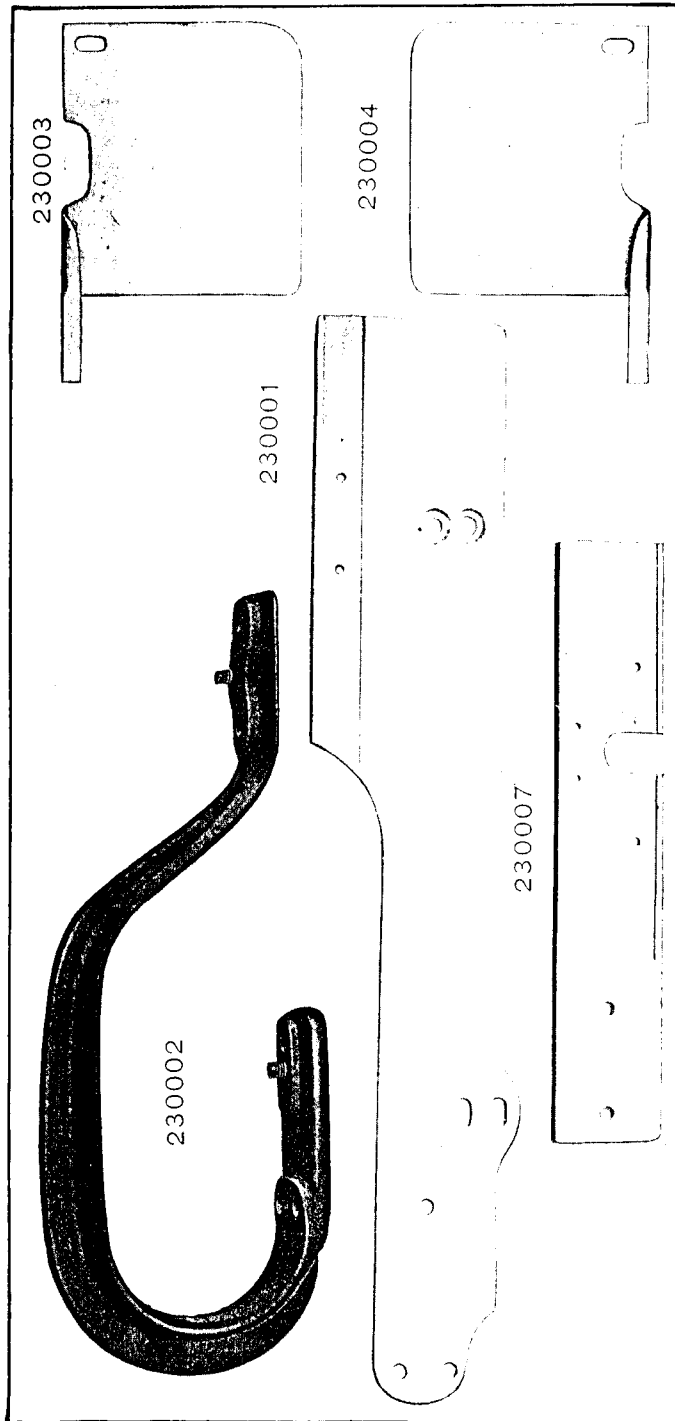


PLATE 14527—FULL SIZE

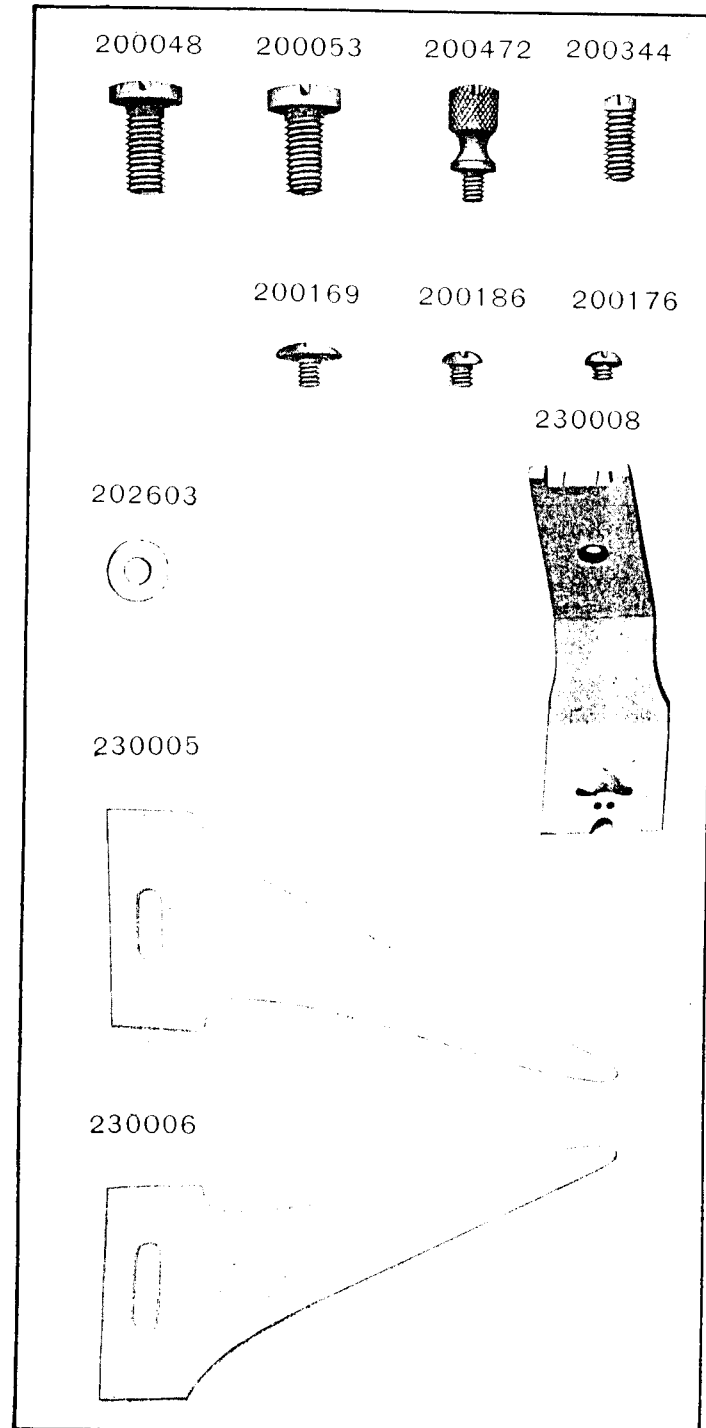
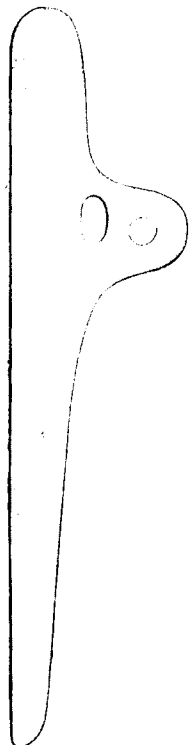
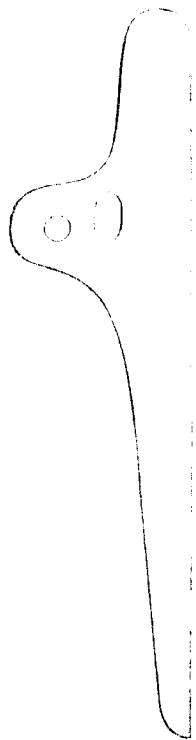


PLATE 14528—FULL SIZE

230010



230009



230013



230011

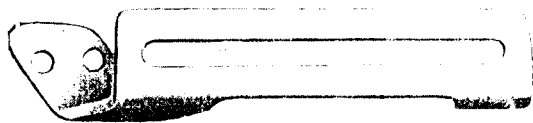
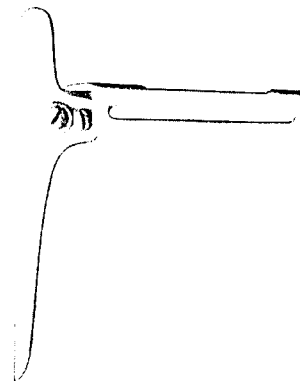


PLATE 14529—ONE-HALF SIZE

230014



230015

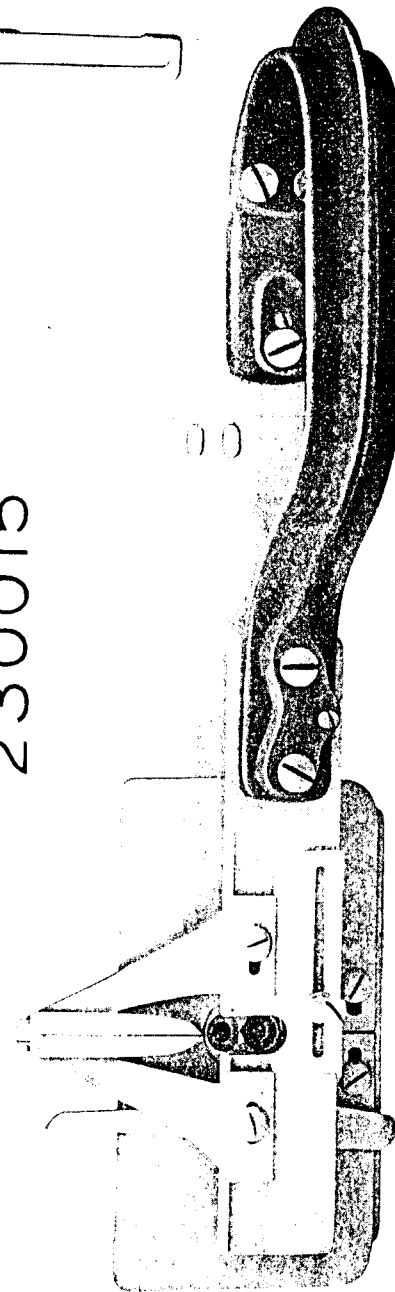


PLATE 14581 - FULL SIZE

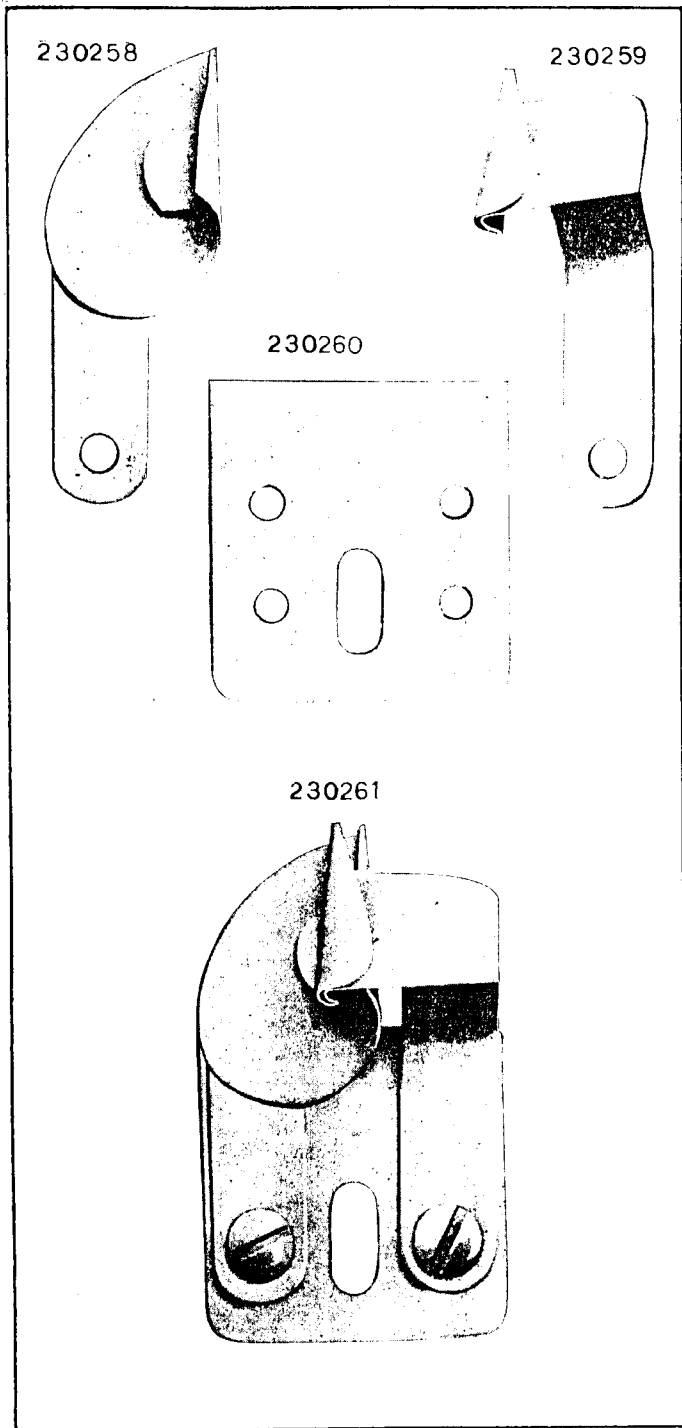


PLATE 14605 - ONE-HALF SIZE

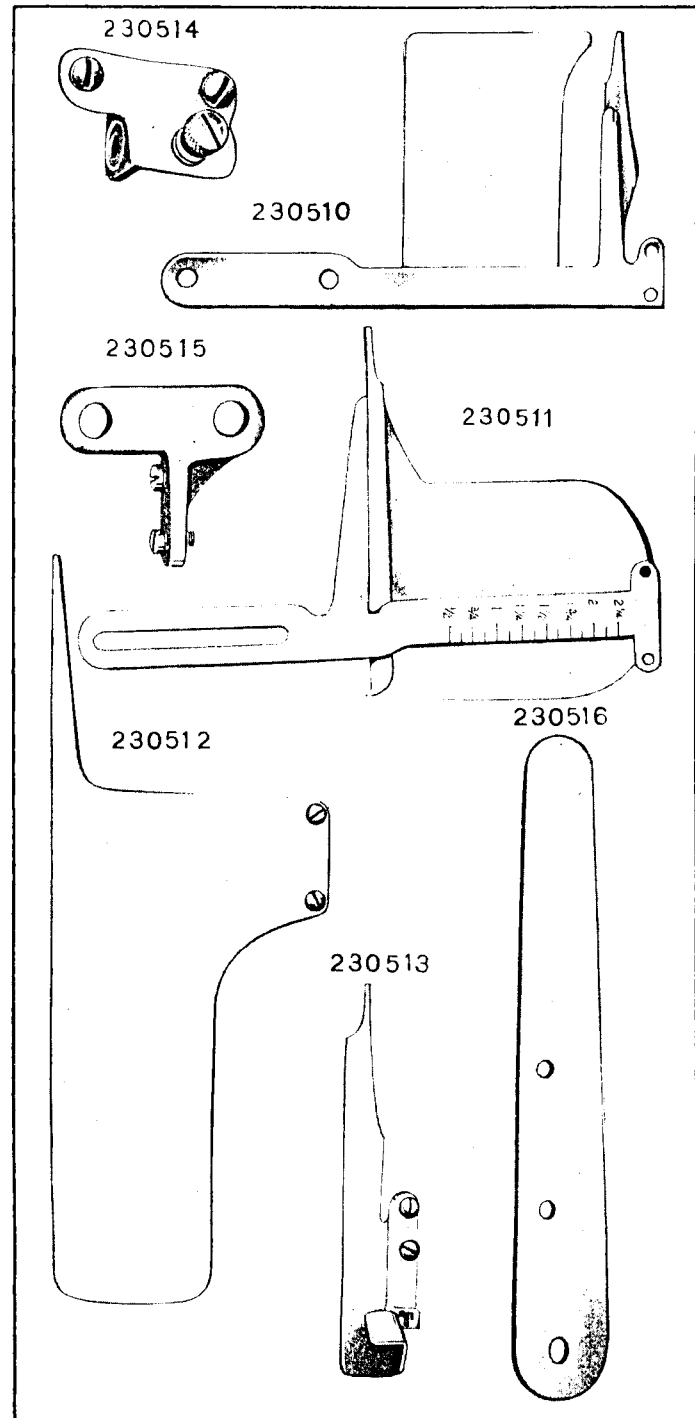


PLATE 14606--ONE-HALF SIZE

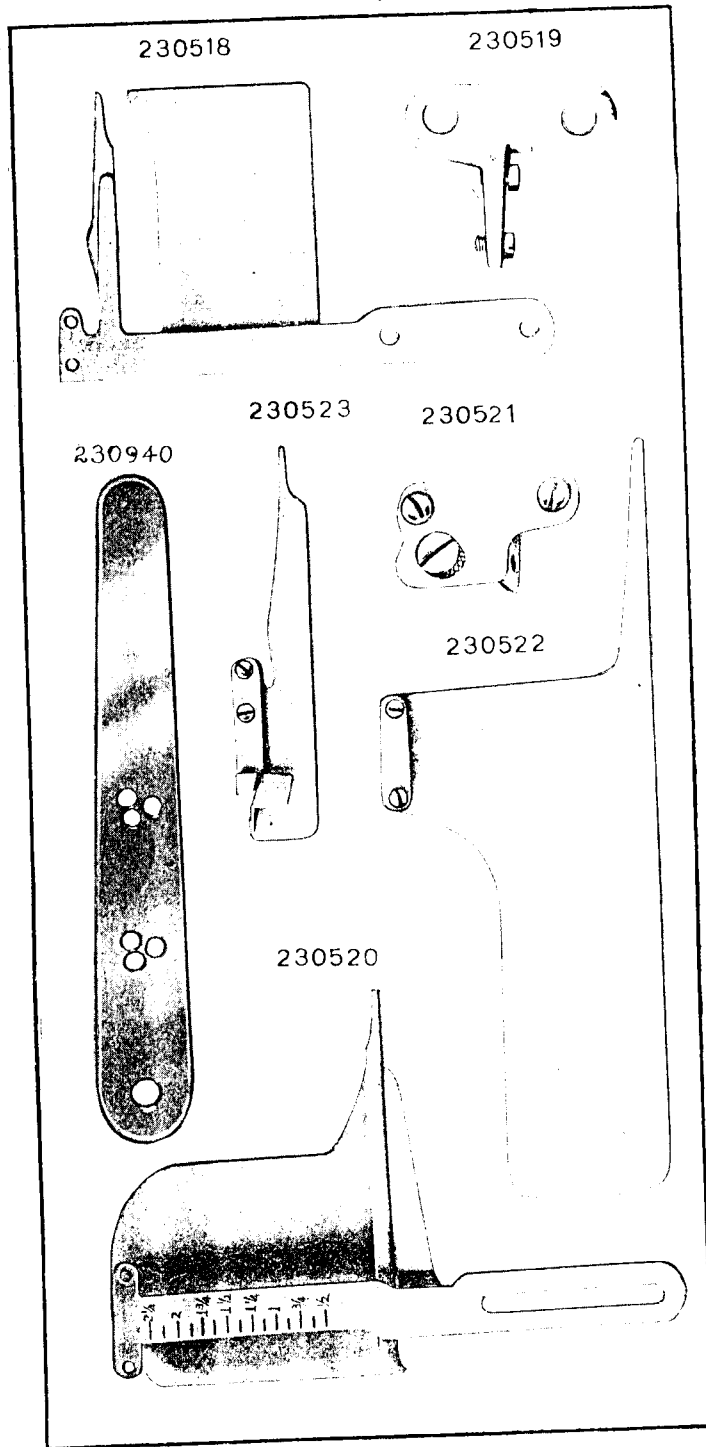


PLATE 14607--ONE-HALF SIZE

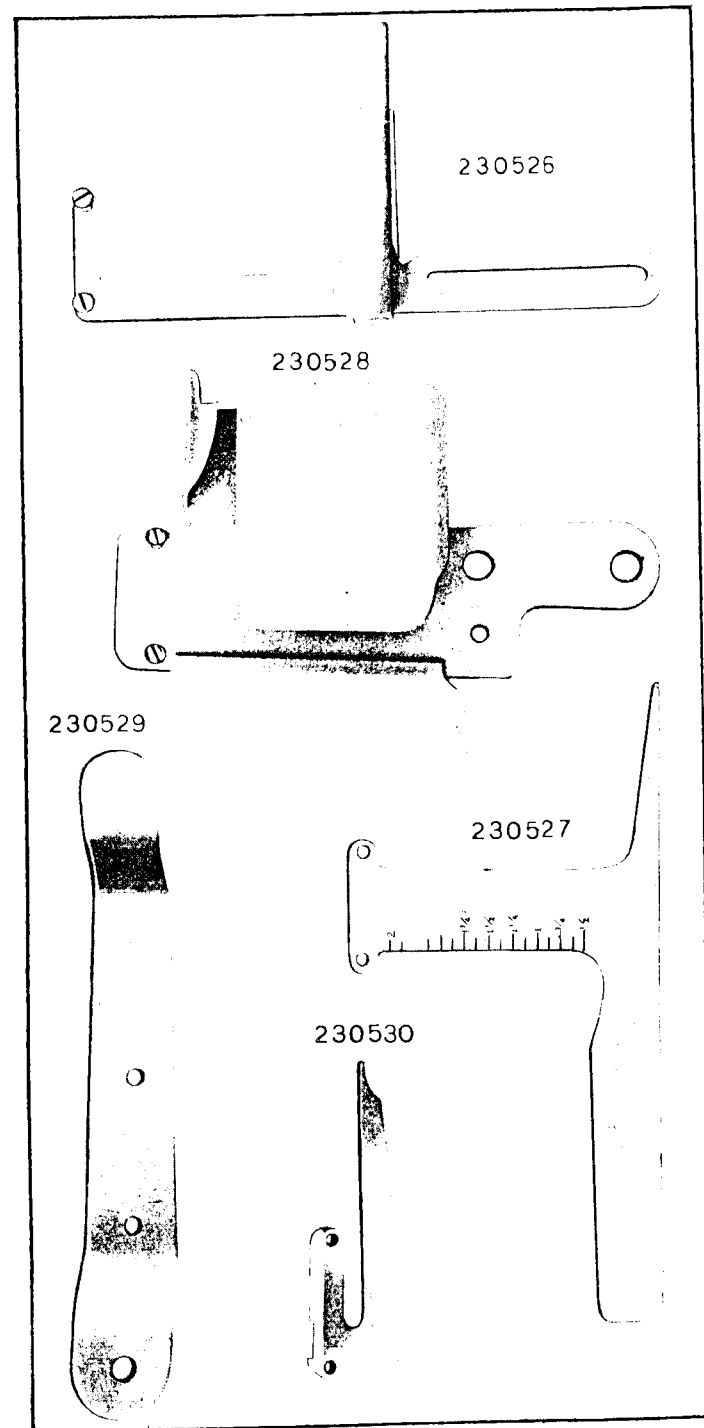


PLATE 14608-ONE-HALF SIZE

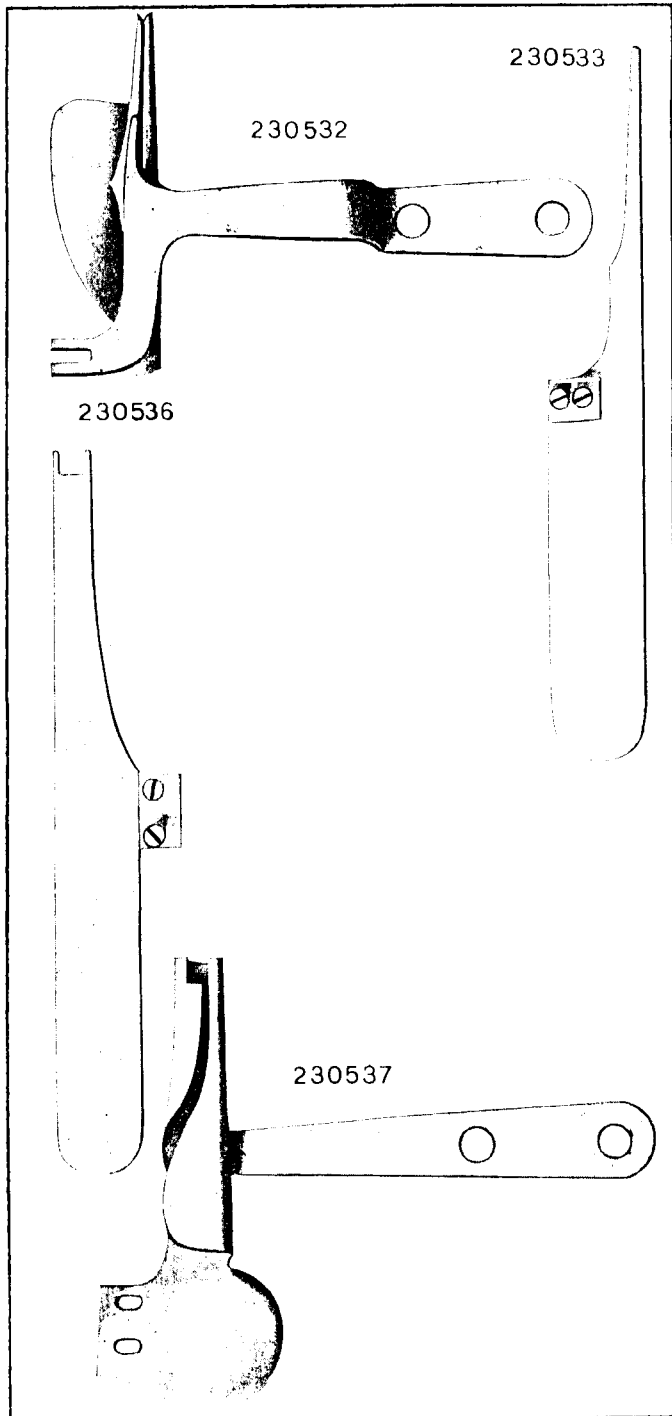


PLATE 14609-ONE-FOURTH SIZE

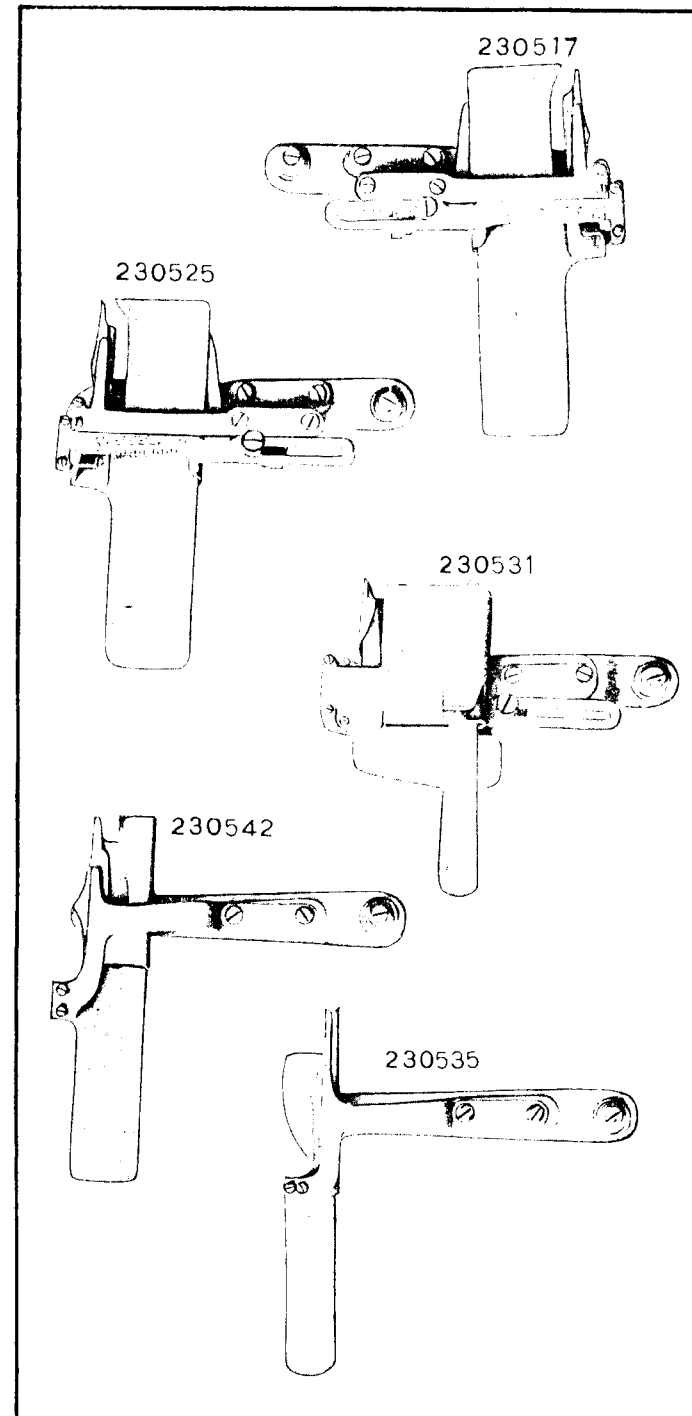


PLATE 15051—FULL SIZE

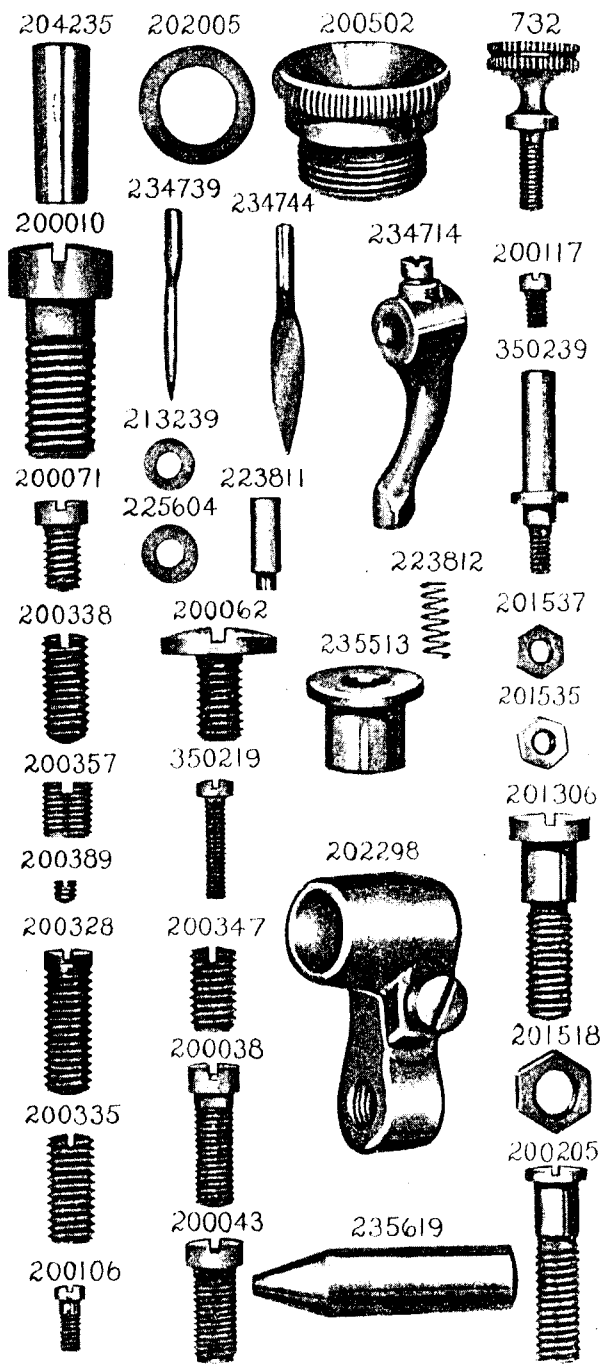


PLATE 15052—ONE-FOURTH SIZE

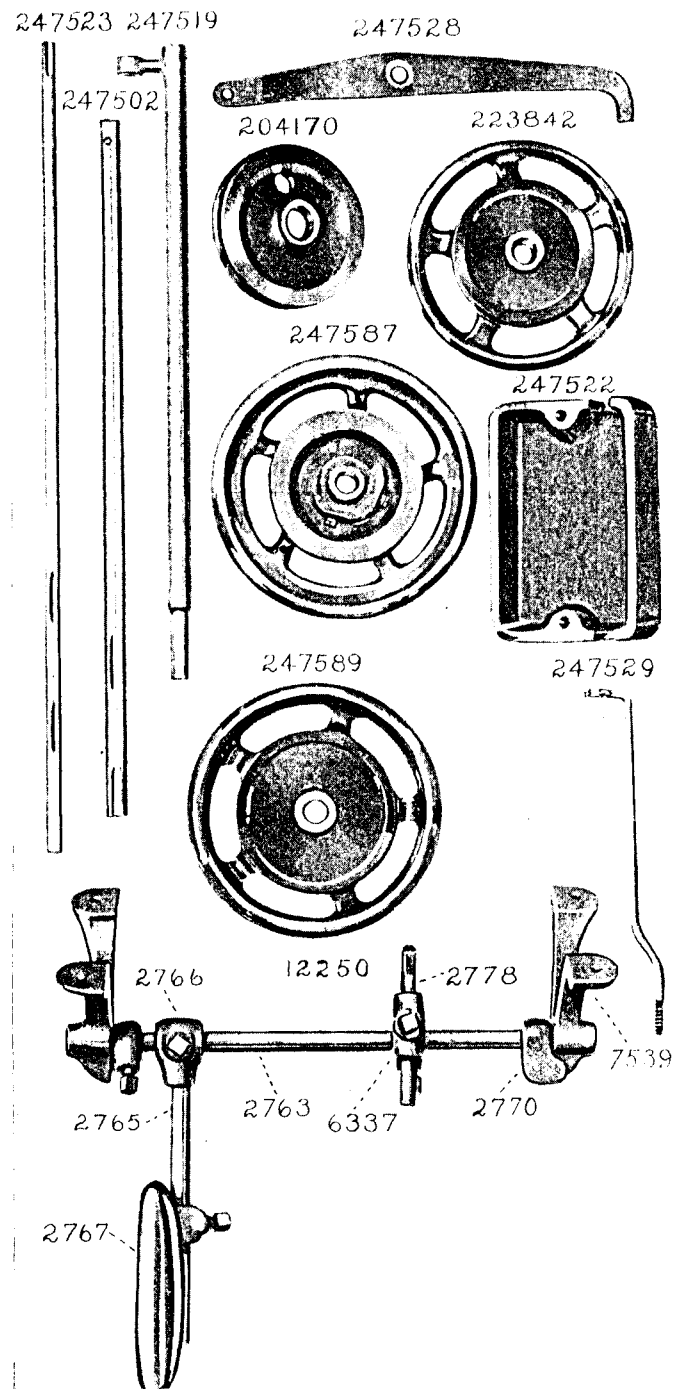
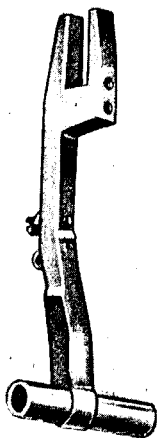
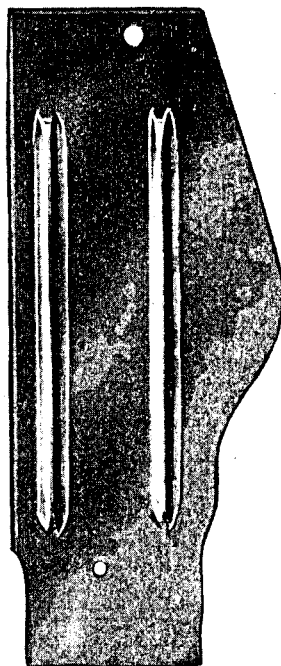


PLATE 15053—ONE-HALF SIZE

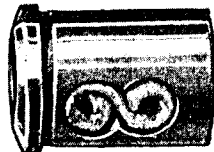
235697



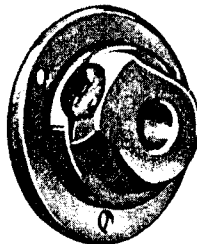
247505



207080



237748



235505

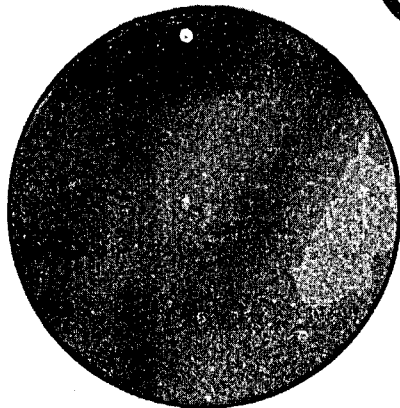
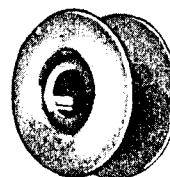
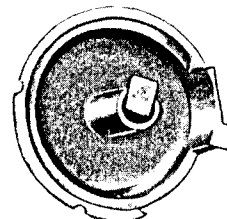


PLATE 15054—FULL SIZE

203208



235769



203211



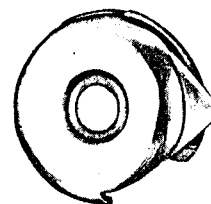
203212



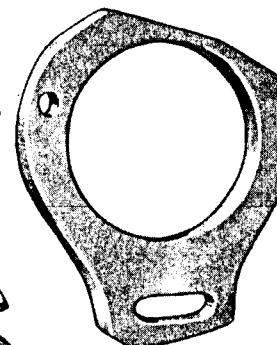
203213



235770



235751



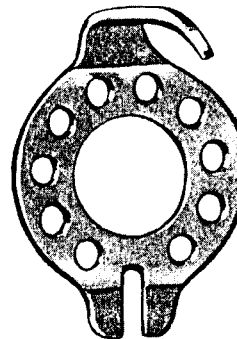
204243



200066



236078



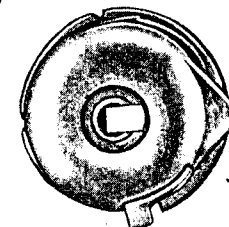
235771



203478



235772



200984



200594



PLATE 15055—FULL SIZE

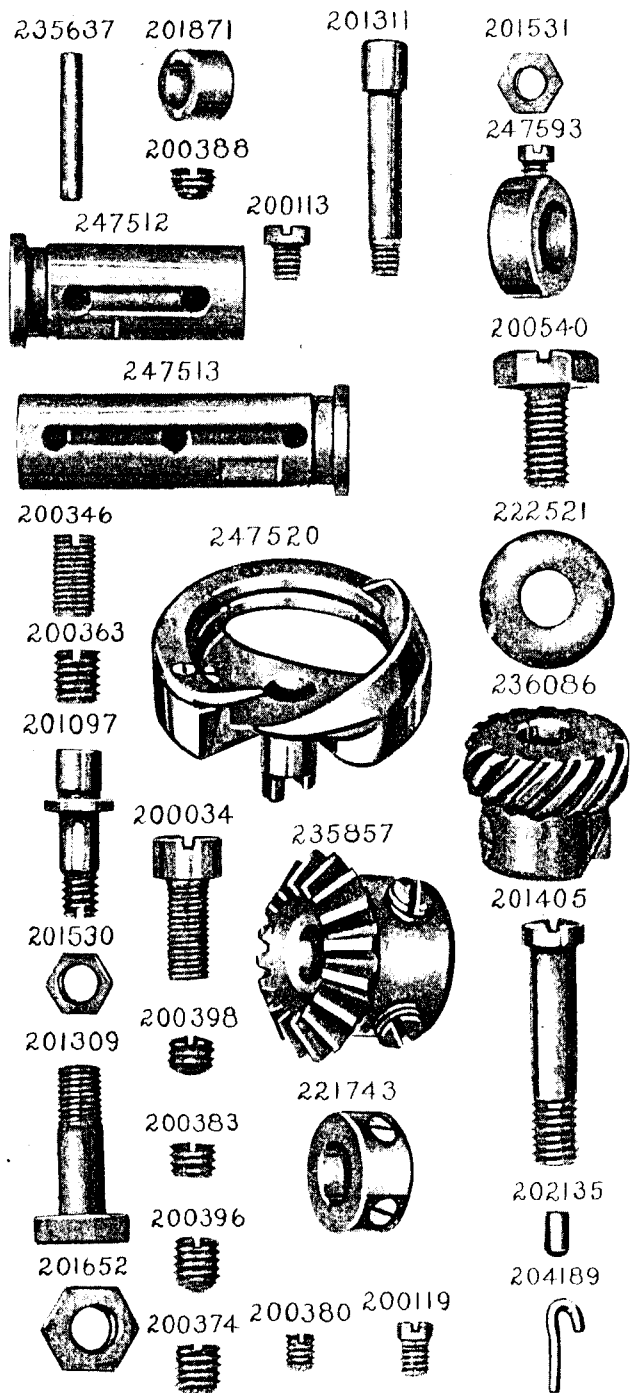


PLATE 15056—ONE-HALF SIZE

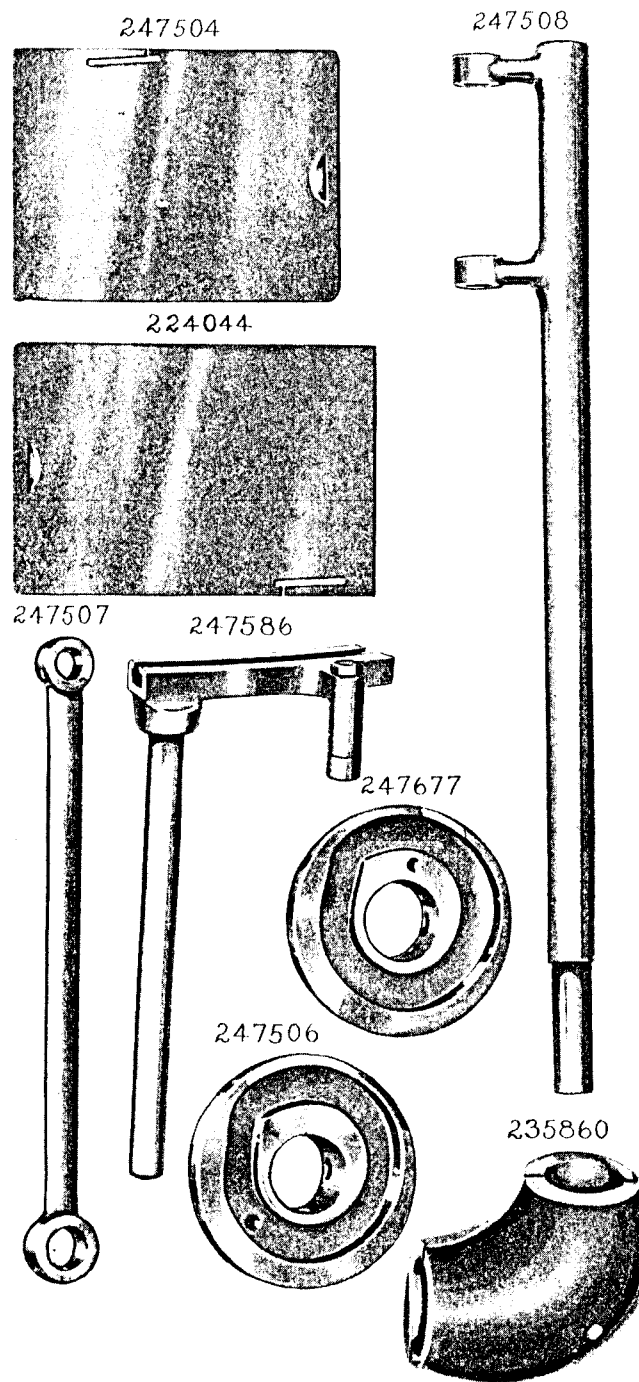


PLATE 15057—FULL SIZE

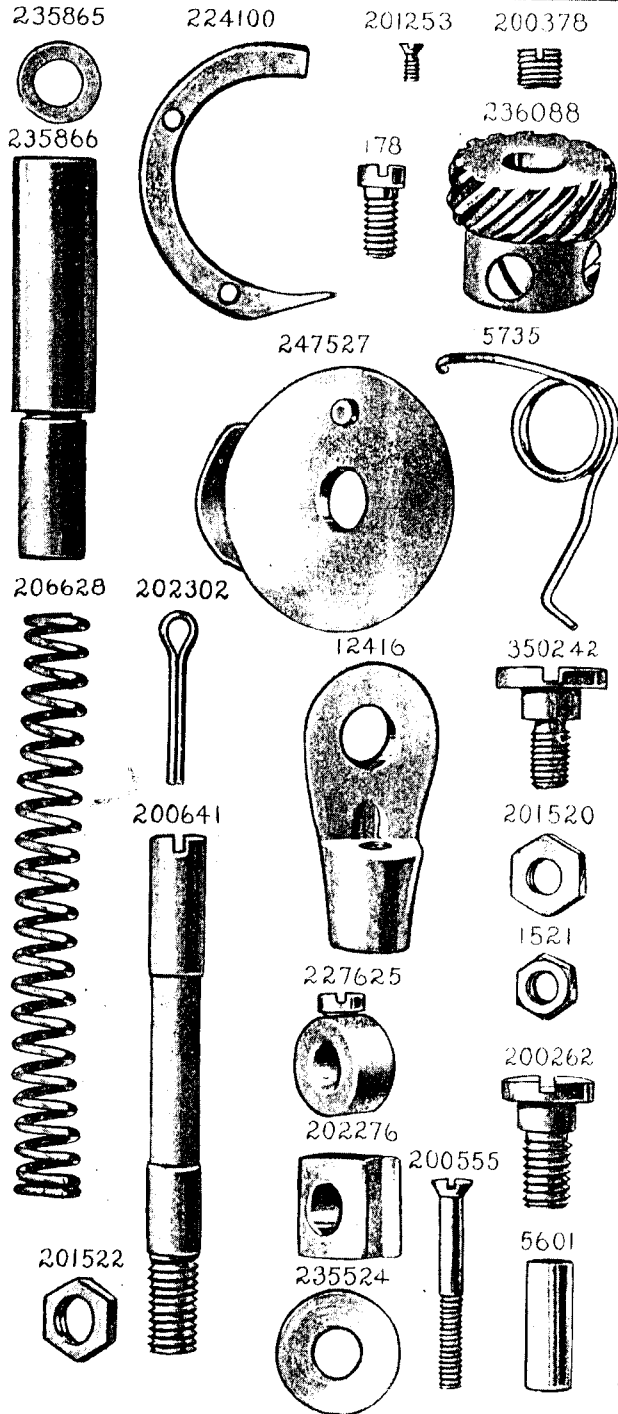


PLATE 15058—ONE-HALF SIZE

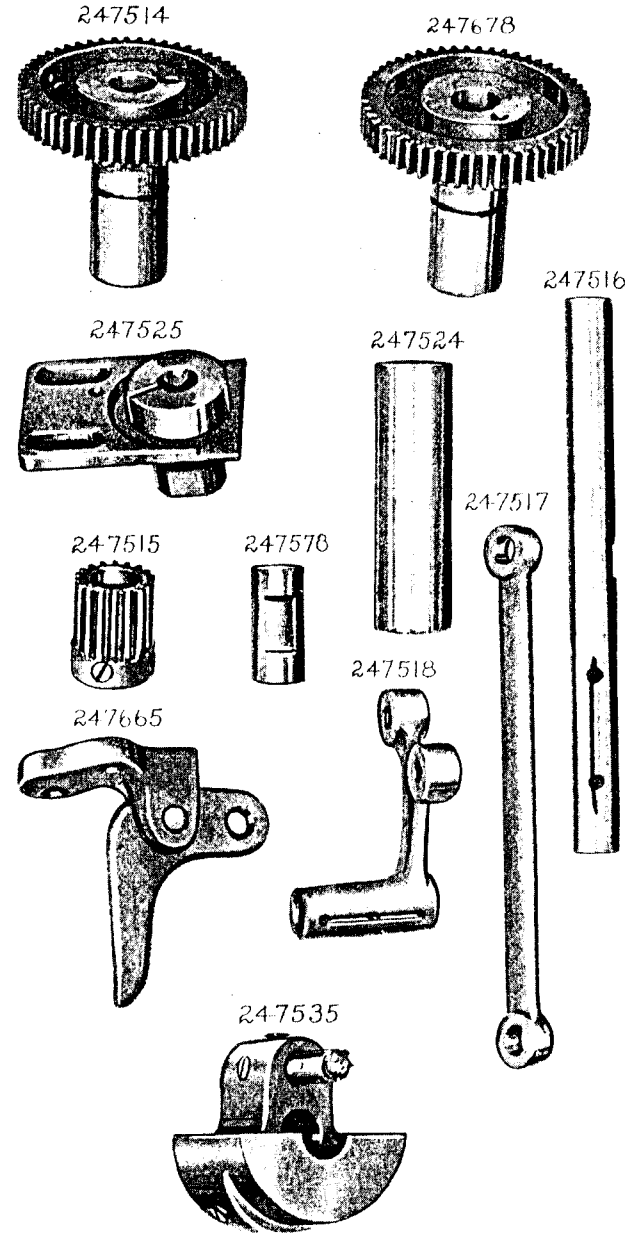


PLATE 15059—FULL SIZE

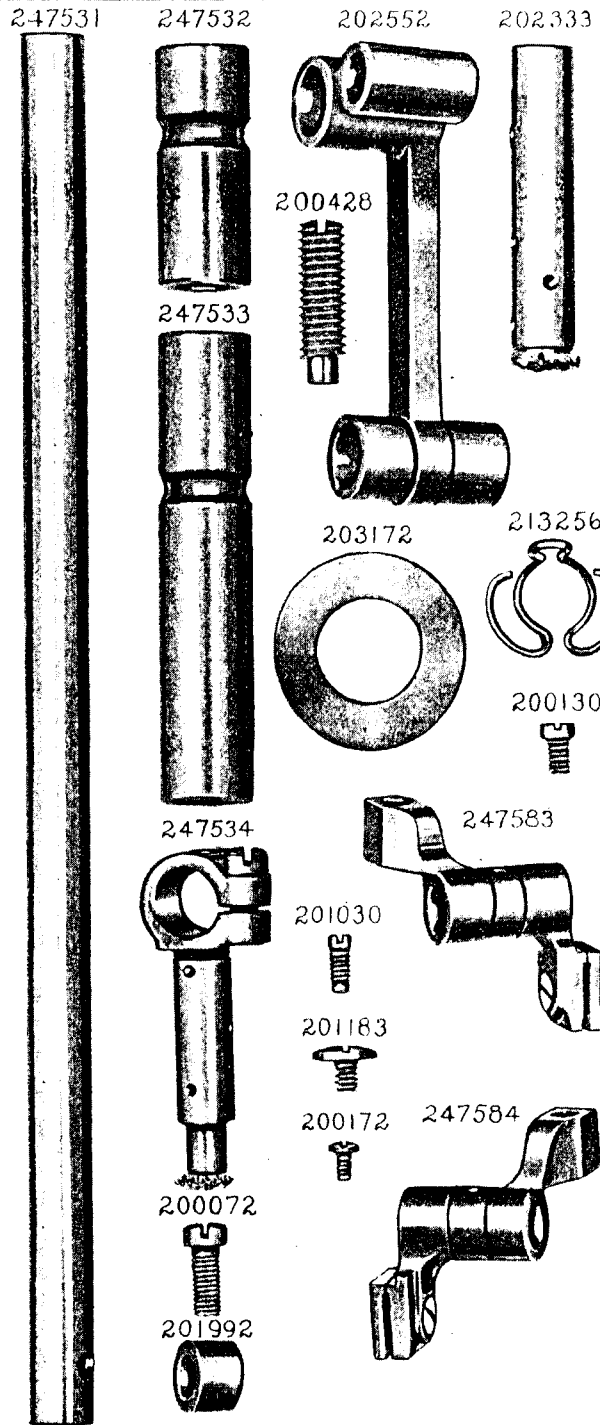


PLATE 15060—ONE-HALF SIZE

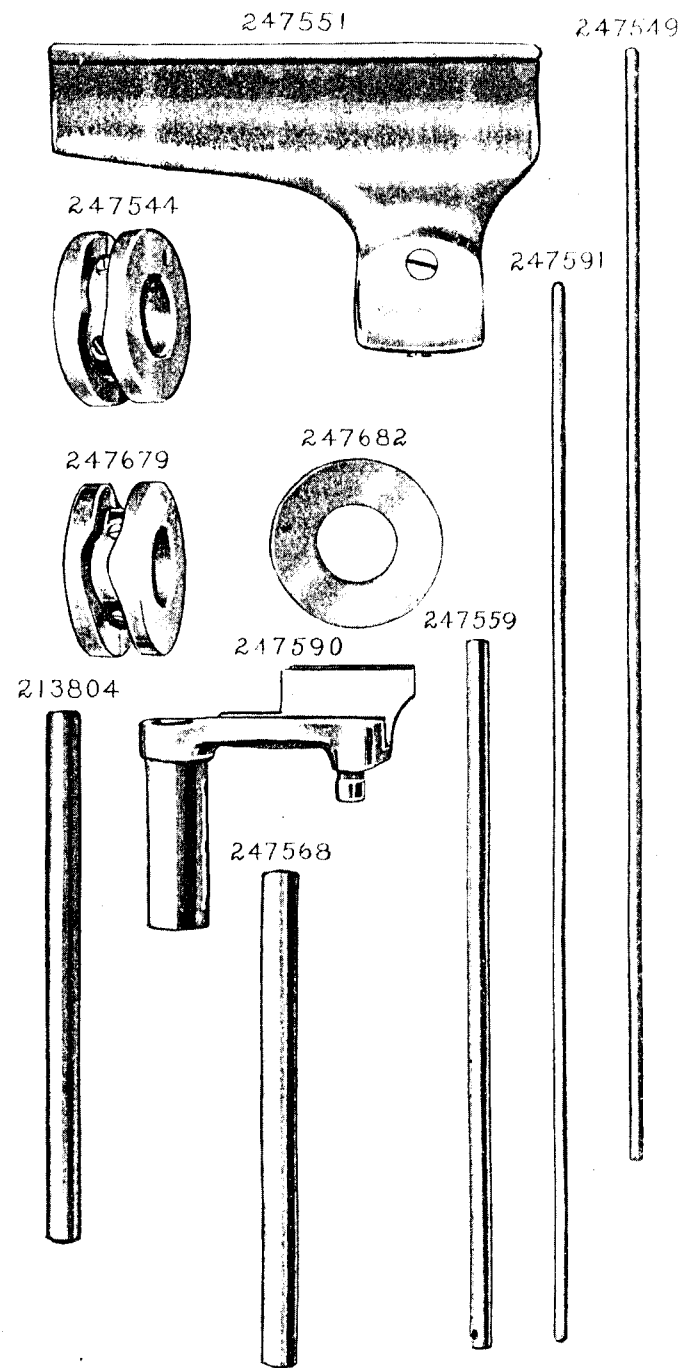


PLATE 15061—FULL SIZE

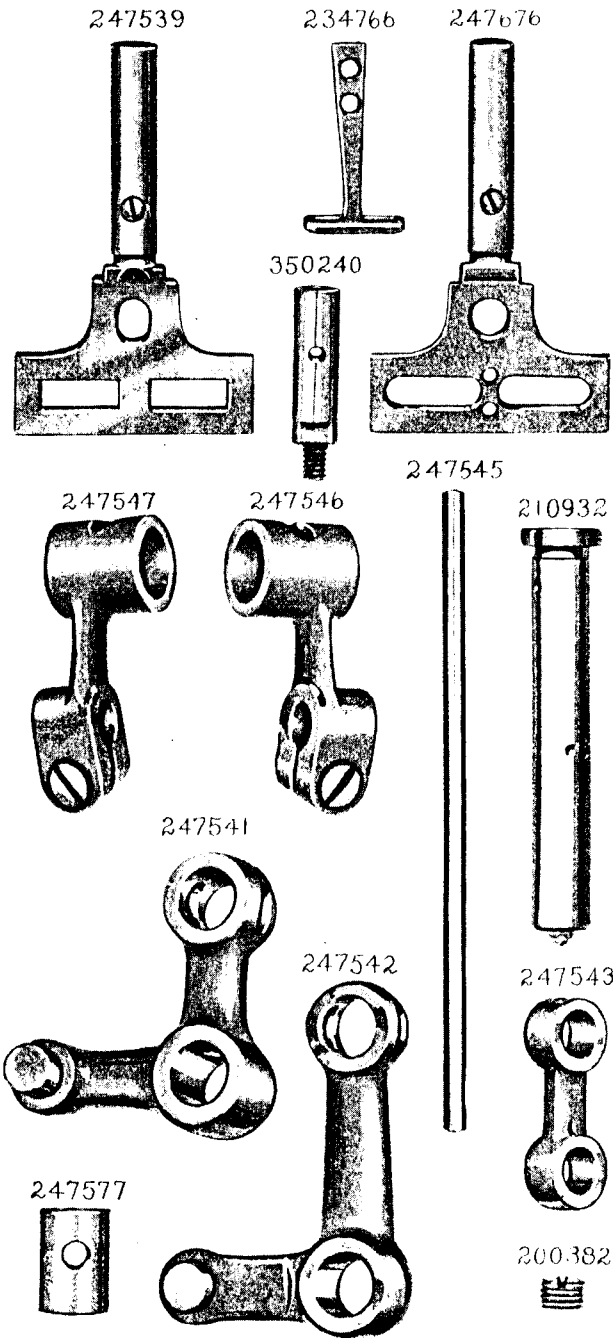


PLATE 15062—FULL SIZE

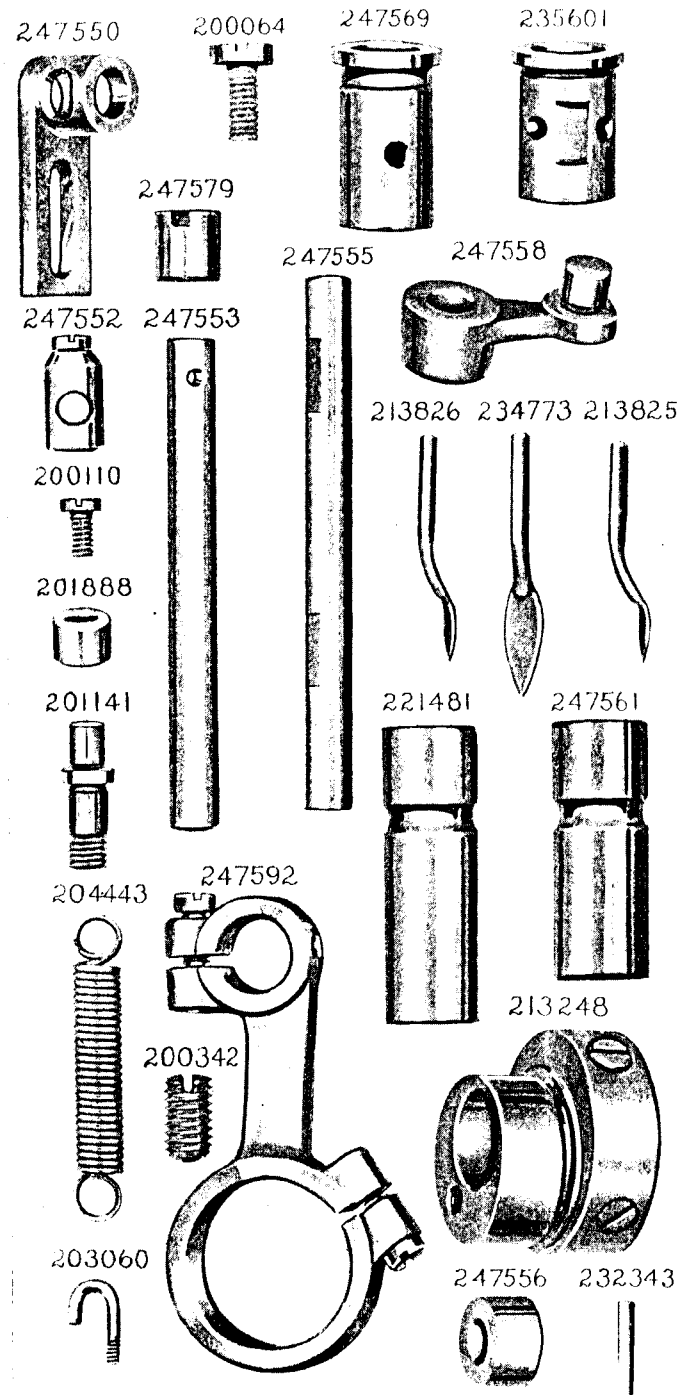


PLATE 15063—FULL SIZE

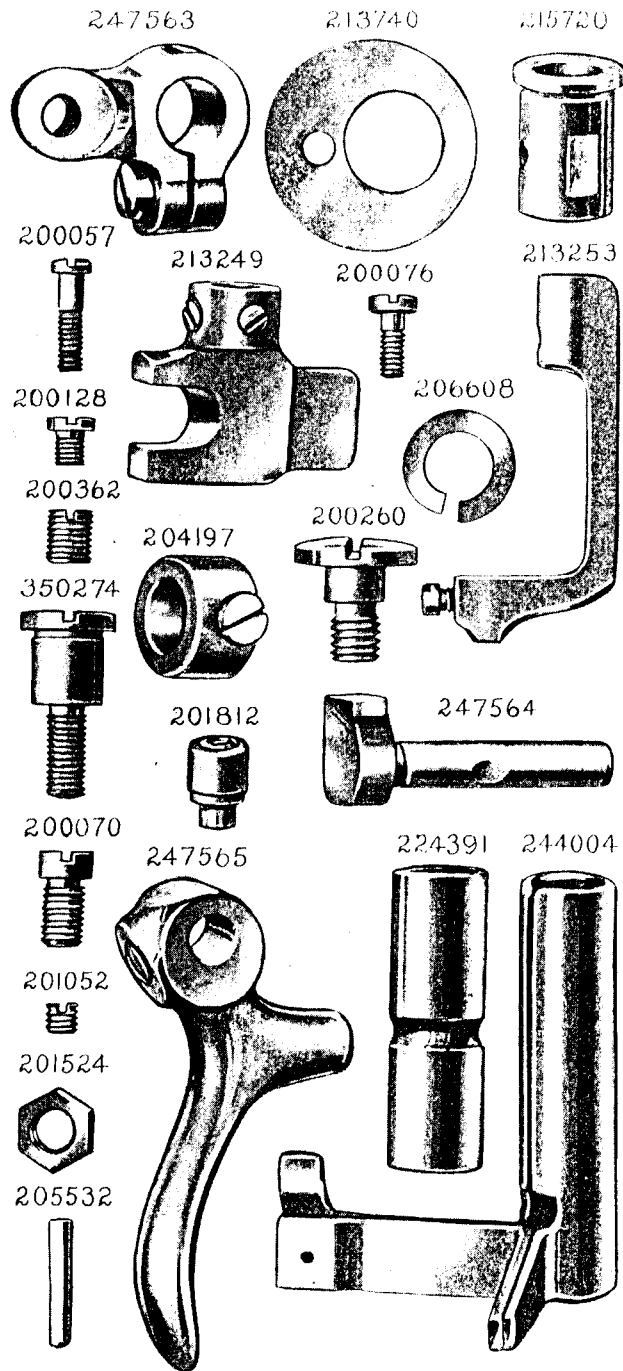


PLATE 15064—ONE-HALF SIZE

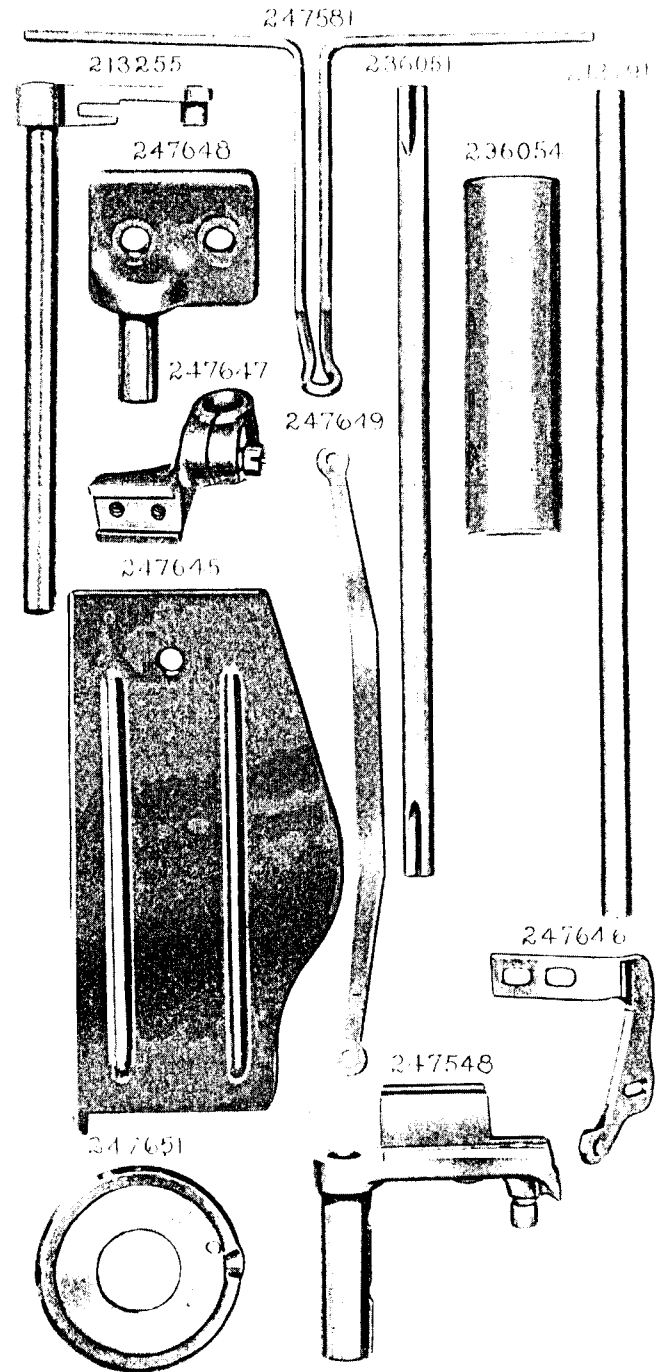


PLATE 15065—FULL SIZE

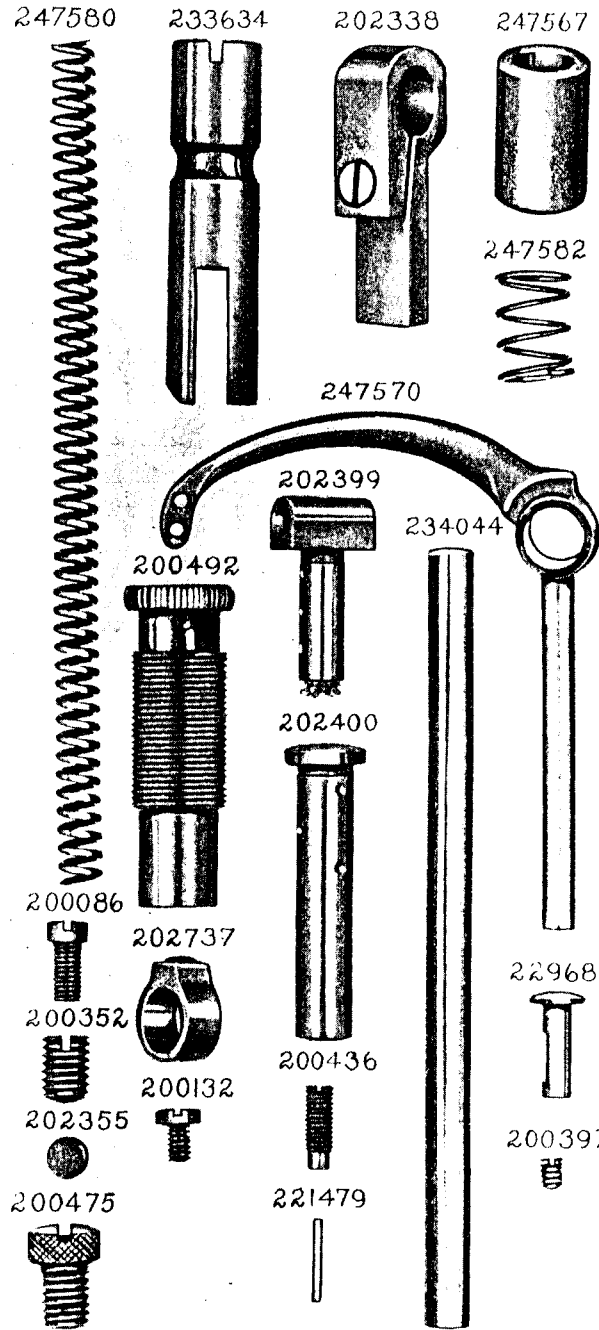


PLATE 15066—FULL SIZE

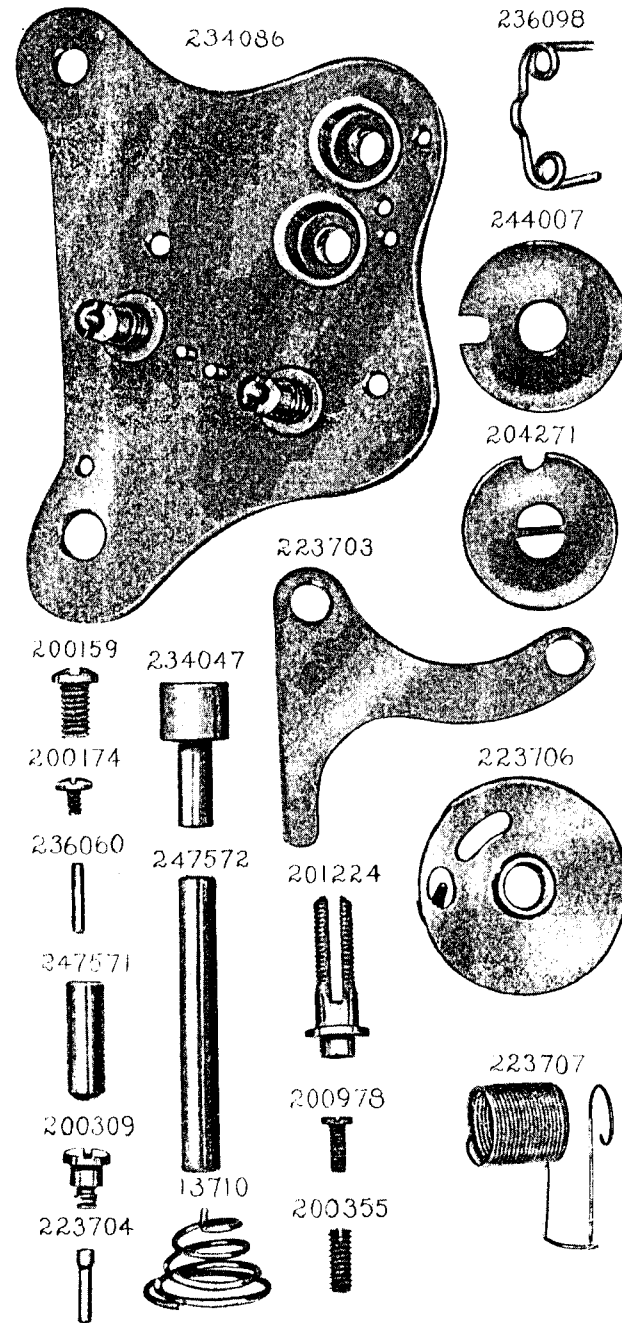


PLATE 15067--FULL SIZE

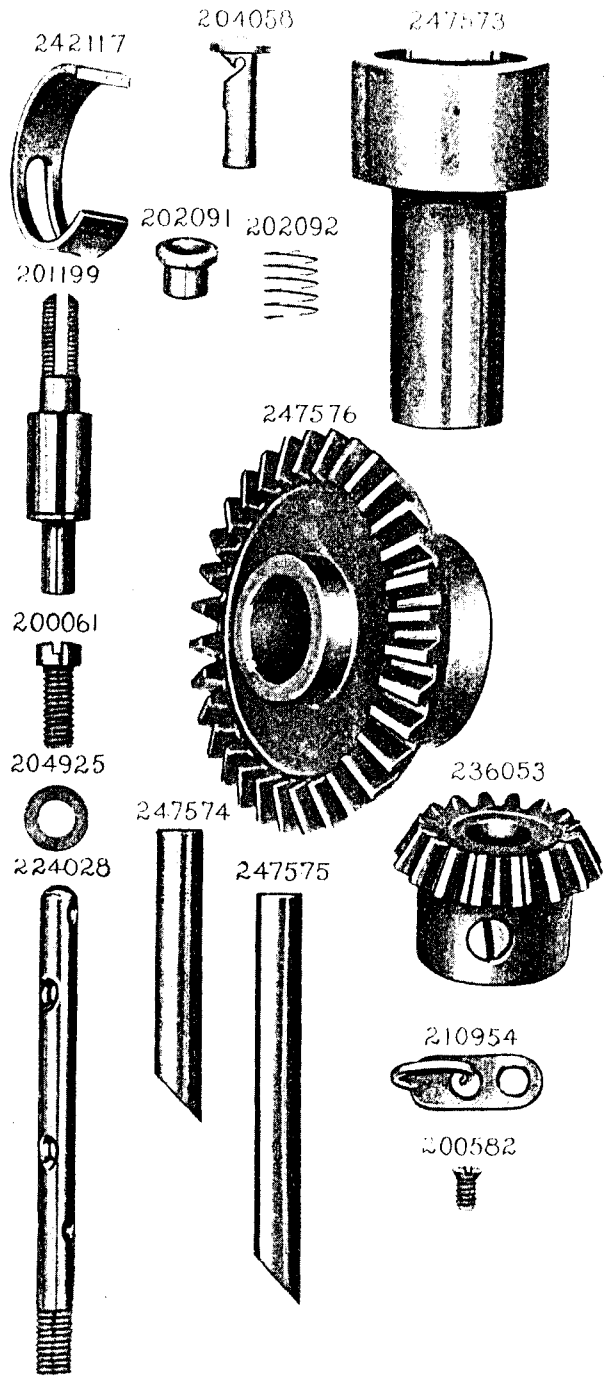


PLATE 15068--FULL SIZE

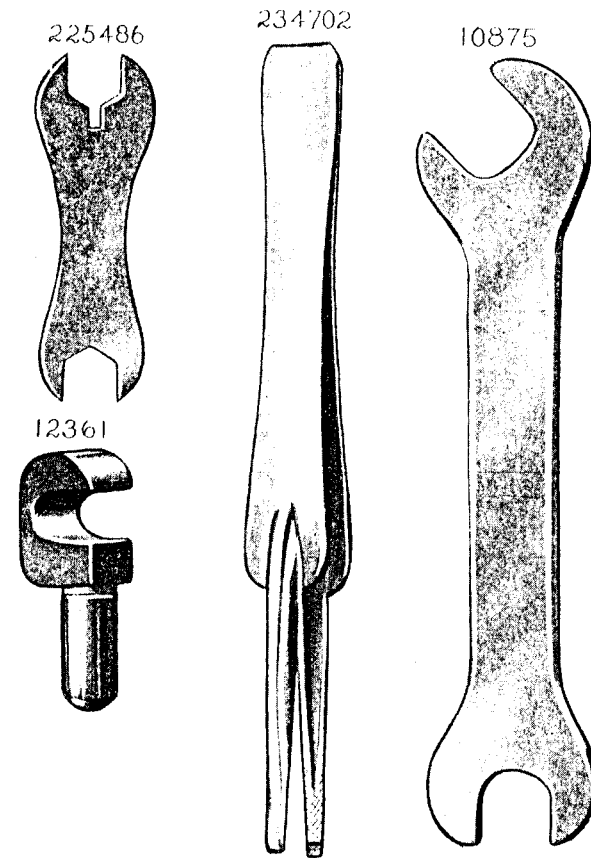


PLATE 15069—FULL SIZE

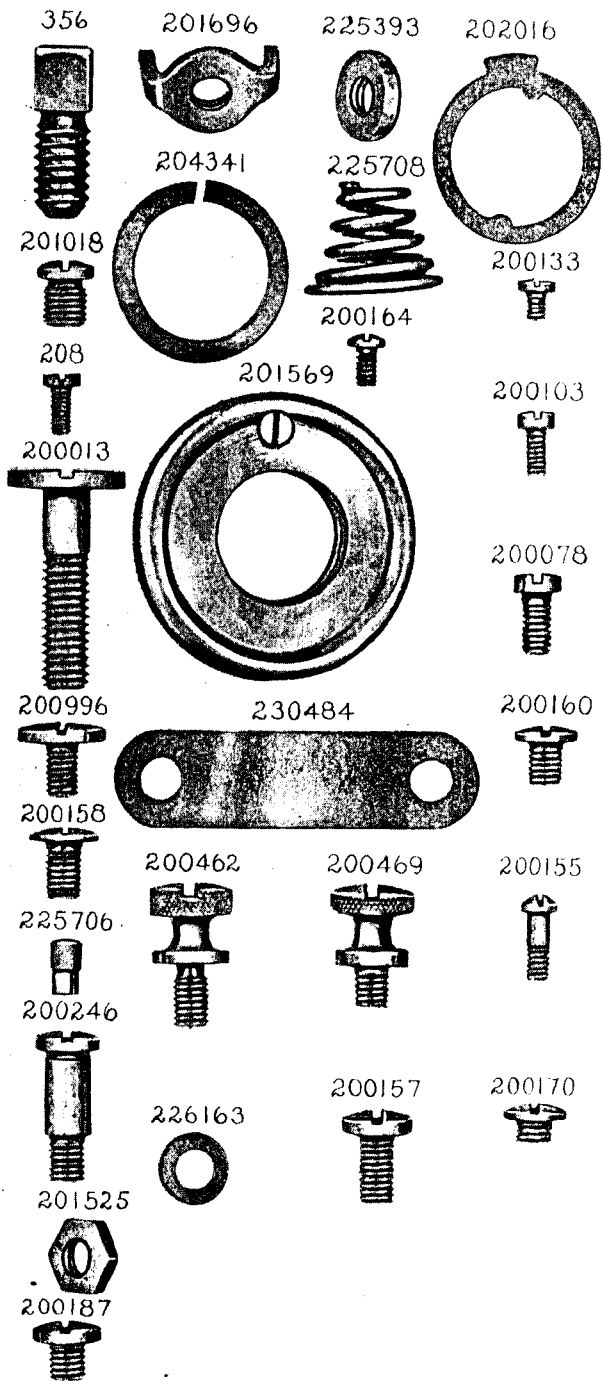


PLATE 15070—FULL SIZE

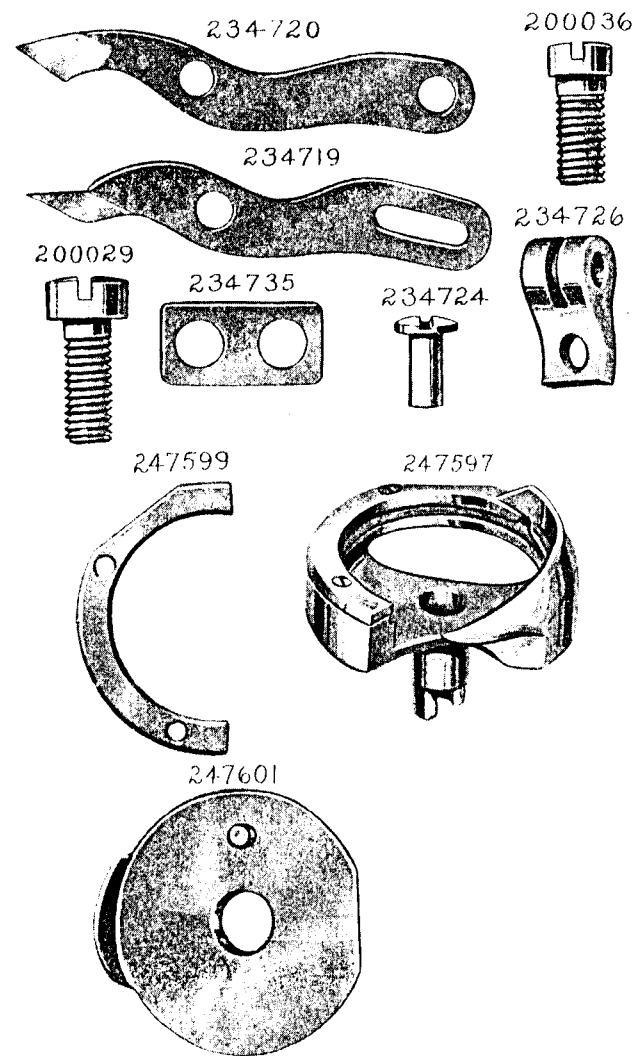
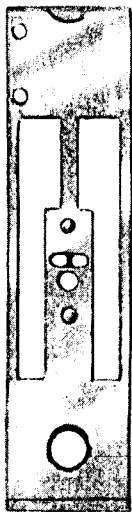


PLATE 15071—FULL SIZE

247594



212827



247696



200577



200161



200587



203376



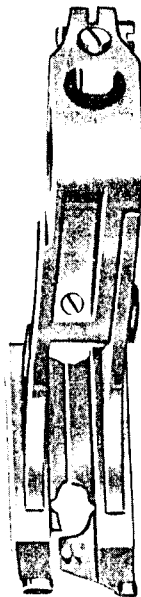
229706



229707



229837



229796

