

Form 19198
(139)
Printed in U. S. A.

LIST OF PARTS



FOR FAMILY SHOPS

MACHINES
Nos. 1300-1 and 1300-2

** A TRADE MARK OF

THE SINGER MANUFACTURING COMPANY

INDEX

	Page
Accessories.....	14
Binders.....	14
Bobbin Winders.....	24
Buttonhole Attachment.....	26
Corders.....	26
Edge Folders.....	27
Feed Dogs and Throat Plates.....	28
Finger Guards.....	29
Fittings.....	47
Foot Lifter Parts.....	30
Guides.....	31
Hemmers.....	32
Hemstitching.....	37
Knee Lifter Parts.....	37
Lap Seam Feller.....	38
Machine Base.....	38
Machine No. 1300-1.....	5
Machine No. 1300-2.....	13
Numerical List of Parts.....	51
Piping Attachment.....	38
Presser Feet.....	39
Presser Feet with Graduated Adjustable Guides.....	41
Presser Foot Extensions.....	41
Quilters.....	42
Ruffler.....	42
Seamer.....	43
Thread Unwinder.....	44
Tubular Trimming Attachment.....	44
Tuckers.....	44

INSTRUCTIONS FOR ORDERING

In ordering from this list, use ONLY the part NUMBER in the FIRST column.

The number stamped on a Sewing Machine Part is in every case the number of the single part only.

Every combination of parts sent out as such has its specific number, which, although not stamped on the parts, must be used when ordering the combination.

Each number always indicates the SAME PART in whatever list it appears, or for whatever machine.

The letters after some of the numbers indicate the style of finish only, as follows:

- A-Hardened, Polished, Nickel Plated and Buffed
- A.A-Buffed and Chromium Plated
- A.B-Hardened, Polished, Buffed and Chromium Plated
- B-Polished, Nickel Plated and Buffed
- C-Hardened Only
- C.R-Hardened and Merlized
- D-Polished Only
- E-Soft, Not Polished
- F-Hardened and Polished
- F.J-Hardened, Polished and Nickel Plated
- G-Bright Rumbled and Nickel Plated
- H-Blued
- J-Nickel Plated Only
- K-Hardened and Nickel Plated
- L-Brass Plated
- M-Oxidized
- N-Japanned, Dull
- P-Japanned, Bright
- P.P-Wrinkle Finish
- R-Merlized
- S-Cadmium Plated
- T-Copper Plated
- T.A-Hardened, Polished, Copper and Nickel Plated and Buffed
- T.B-Copper and Nickel Plated and Polished
- T.J-Copper and Nickel Plated Only
- T.K-Hardened, Copper and Nickel Plated
- T.L-Copper and Brass Plated
- T.M-Copper Plated and Oxidized
- U-Zinc Plated
- V-Silver Plated
- W-Polished and Nickel Plated
- X-Black Oxide, for Iron and Steel
- X.C-Hardened and Black Oxide, for Iron or Steel
- Y-Black Nickel Plated Only
- Z-Chromium Plated
- Z.A-Hardened, Polished, Nickel Plated, Buffed and Chromium Plated
- Z.B Polished, Nickel Plated, Buffed and Chromium Plated
- Z.C-Hardened and Chromium Plated
- Z.D-Polished and Chromium Plated
- Z.G-Bright Rumbled, Nickel Plated, Bright Rumbled and Chromium Plated
- Z.J-Nickel and Chromium Plated
- Z.T-Copper and Chromium Plated

These letters MUST BE USED when they appear in the list; and AFTER the number as in the list.

In this series:

1 to 1500, 50001 to 51500 and 140001 to 142000 are Screw Numbers

1501 to 1800 and 51501 to 51800 are Nut Numbers

1801 to 2000 and 51801 to 52000 are Roller Numbers

2001 to 50000 and 52001 to 140000 and 142001 to

190000 are Sewing Machine Parts, 190001 and upward are numbers of Electrical Parts.

The figures in the second column refer only to the plates, illustrating the parts, and are NOT TO BE USED in ordering.

Parts marked with an asterisk (*) are furnished only when repairs are made at factory.

LIST OF PARTS COMPLETE

FOR

MACHINE No. 1300-1

For Cloth, Tailoring etc. Lock stitch Rotating hook. Drop feed. Link take-up. Knee lifter. Gear-driven. Gears lubricated with oil. Maximum stitch 5 1/2 to the inch. For Foot Power Only.

No.	Plate	Name
*142701	-----	Arm with 15404 and two each 15405 and 56015.....
<p style="margin-left: 40px;">Note: Due to the accuracy required for gear alignment, Arm cannot be supplied separately and can only be sent out as a unit, Arm and Bed assembled.</p>		
16532	22901	Arm Dowel Pin.....
52183	22901	" Oil Tube with 52184, for oiling 52024, and for oiling 127156, for 127193.....
52180	22901	Arm Oil Tube (long) with 52184, for oiling 52022.....
52185	22901	Arm Oil Tube (short) with 42367, for oiling 52022.....
127204	22901	Arm Oil Tube with 52184, for oiling 127231.....
127187	22901	Arm Oil Tube with 42367, for oiling 127152, for 127193.....
56015	22901	Arm Oil Tube for oiling 142006.....
52148	22901	" " " " 52149.....
52149	22901	" " " 52148 with 52150, for oiling 52282 and 127072.....
42367	22901	Arm Oil Tube Packing (braided cotton) for 52185 and 127187.....
52184	22901	Arm Oil Tube Packing (wick) for 52180, 52183 and 127204.....
52150	22901	Arm Oil Tube Packing (braided cotton) for 52149.....
116E	22901	Arm Screw (back).....
854E	22901	" " (front).....
142702	22902	" Shaft (horizontal).....
142703	-----	" " " 142702 with 52196 and 127253.....

No.	Plate	Name
54897	22901	Arm Shaft (horizontal) Back Bearing Oil Cup.....
127072	22902	Arm Shaft (horizontal) Bevel Gear With two 1036C.....
142711	22902	Arm Shaft (horizontal) Bevel Gear Case (two pieces) with 51068R and 140184E.....
140184E	22902	Arm Shaft (horizontal) Bevel Gear Case Plug Screw.....
51068R	22902	Arm Shaft (horizontal) Bevel Gear Case Screw.....
1036C	22902	Arm Shaft (horizontal) Bevel Gear Set Screw.....
142704	22902	Arm Shaft (horizontal) Flanged Bushing (back).....
142705	-----	Arm Shaft (horizontal) Flanged Bushing (back) 142704 with 52193 and 52289.
52193	22902	Arm Shaft (horizontal) Flanged Bushing (back) Oil Pad (inside) braided cotton.....
52289	22902	Arm Shaft (horizontal) Flanged Bushing (back) Oil Pad (outside) felt.....
448C	22902	Arm Shaft (horizontal) Flanged Bushing (back) Set Screw.....
52195	22902	Arm Shaft (horizontal) Flanged Bushing (front).....
52196	-----	Arm Shaft (horizontal) Flanged Bushing (front) 52195 with 52193 and 52196.
52193	22902	Arm Shaft (horizontal) Flanged Bushing (front) Oil Pad (inside) braided cotton.....
52198	22902	Arm Shaft (horizontal) Flanged Bushing (front) Oil Pad (outside) felt.....
435C	22902	Arm Shaft (horizontal) Flanged Bushing (front) Set Screw.....
66350	22901	Arm Shaft (horizontal) Front Bearing Oil Cup.....
142006	22902	Arm Shaft (upright).....
52281	22902	" " " Bevel Gear (lower) with two 1259C.....
1259C	22902	Arm Shaft (upright) Bevel Gear (lower) Set Screw.....
52282	22902	Arm Shaft (upright) Bevel Gear (upper) with two 1259C.....
1259C	22902	Arm Shaft (upright) Bevel Gear (upper) Set Screw.....
52275	22902	Arm Shaft (upright) Bushing (lower)....
52276	-----	" " " " " 52275 with 52279 and 52280.....

No.	Plate	Name
432C	22902	Arm Shaft (upright) Bushing (lower) Set Screw.....
52277	22902	Arm Shaft (upright) Bushing (upper)....
52278	-----	" " " " " 52277 with 52279 and 52280.....
443C	22902	Arm Shaft (upright) Bushing (upper) Set Screw.....
52280	22902	Arm Shaft (upright) Bushing Oil Pad (outside) felt.....
52279	22902	Arm Shaft (upright) Bushing Oil Wick (inside) braided cotton.....
12480	22904	Arm Side Cap.....
219J	22904	" " " Screw.....
127079	22901	" " Cover.....
50053W	22901	" " " Thumb Screw.....
52239	22901	" Spool Pin and Thread Eyelet.....
8879	22901	" " " Washer (cloth).....
127192	22901	" Top Cover.....
127193	-----	" " " 127192 with 52183, 52239, 127187 and 127255.....
127255	22901	Arm Top Cover Positioning Disc.....
158J	22901	" " " Screw.....
142706	22902	Balance Wheel (spoked wheel) stand, 2 1/4 in. pulley.....
*127270	-----	Bed.....
Note: Due to the accuracy required for gear alignment, Bed cannot be supplied separately and can only be sent out as a unit, Arm and Bed assembled.		
12431	22903	Bed Slide.....
4307	22903	" " Spring.....
725J	22903	" " " Screw.....
12432	22903	Bed Slide complete, Nos. 4307, 12431 and two 725J.....
256J	22902	Clamp Stop Motion Clamp Screw.....
248A	22902	" " " " Stop Screw.....
2020	22902	" " " " Washer.....
*142707	-----	" " " Flanged Bushing.....
142710	-----	" " " " " 142707 with 256J.....
142708	22902	Clamp Stop Motion Flanged Bushing 142707 with two 50311C.....
2022	-----	Clamp Stop Motion Flanged Bushing Pin..
50311C	22902	" " " " " Set Screw.....
142709	22902	Clamp Stop Motion complete, Nos. 248A, 256J, 2020 and 142708.....
52051	22903	Face Plate.....
176J	22903	" " Screw.....

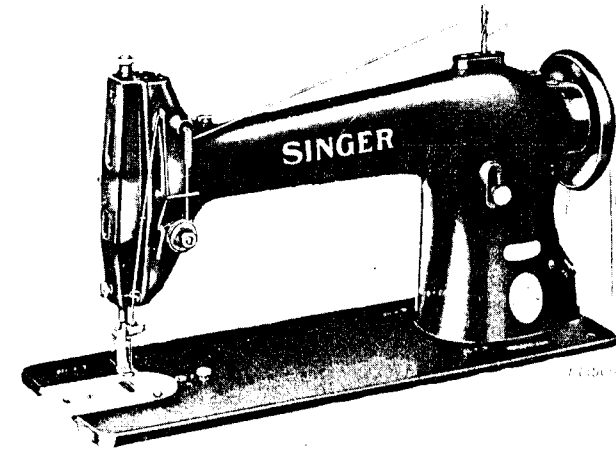
No.	Plate	Name
52053	22903	Face Plate Thread Guard (lower).....
226J	22903	" " " " " Screw..
52170	22903	" " " " " (upper).....
226J	22903	" " " " " Screw..
52052	-----	Face Plate complete, Nos. 52051, 52053, 52170 and two 226J.....
50190W	22903	Face Plate Thumb Screw.....
52452	22904	Feed Bar.....
313C	22904	" " Screw Center... ..
56813	-----	" " " " " 313C with 1519J..
1519J	22904	" " " " " Nut.....
52165	22902	" Connecting Link.....
375C	22902	" " " Hinge Screw.....
1518J	22902	" " " " " Nut...
52073	22902	" " " " " Stud.....
50083C	22902	" " " " " Set Screw.....
44252	22903	Feed Dog, 12 teeth (12 teeth to the inch) for general work, for 44256..
50117E	22903	Feed Dog Screw.....
127202	22902	" and Feed Lifting Eccentric with 449C, 1299C, 52210 and 52211.....
127225	-----	Feed and Feed Lifting Eccentric 127202 with 127152.....
52210	-----	Feed and Feed Lifting Eccentric Lubri- cating Pad (wood) long.....
52211	-----	Feed and Feed Lifting Eccentric Lubri- cating Pad (wood) short.....
1299C	22902	Feed and Feed Lifting Eccentric Posi- tion Screw.....
448C	22902	Feed and Feed Lifting Eccentric Set Screw.....
127152	22902	Feed and Feed Lifting Eccentric Sleeve.
20284	22902	" Forked Connection.....
52383	-----	" " " 20284 with 375C, 1518J and 52165.....
375C	22902	Feed Forked Connection Hinge Screw....
1518J	22902	" " " " " Nut.
52384	22904	" Lifting Rock Shaft.....
127269	-----	Feed Lifting Rock Shaft complete, Nos. 52265 and 52384.....
127156	22902	Feed Lifting Rock Shaft Connecting Rod with two 966E.....
966E	22902	Feed Lifting Rock Shaft Connecting Rod Cap Screw.....
375C	22902	Feed Lifting Rock Shaft Connecting Rod Hinge Screw.....
1518J	22902	Feed Lifting Rock Shaft Connecting Rod Hinge Screw Nut.....

No.	Plate	Name
*52271	-----	Feed Lifting Rock Shaft Crank....
52265	22904	" " " " " 52271 with 157J and 52267.....
157 J	22904	Feed Lifting Rock Shaft Crank Clamping Screw.....
52266	-----	Feed Lifting Rock Shaft Crank Slide Block.....
52267	22904	Feed Lifting Rock Shaft Crank Slide Block 52266 with 125060.....
*125060	-----	Feed Lifting Rock Shaft Crank Slide Block Stud.....
50191C	22904	Feed Lifting Rock Shaft Screw Center...
52097	-----	" " " " " " " 50191C with 1513J.....
1513J	22904	Feed Lifting Rock Shaft Screw Center Nut.....
52074	22902	Feed Regulator with 50083C.....
52118	-----	" " 52074 with 52073.....
52093	-----	" " 52118 with 818D.....
1128E	22902	" " Hinge Screw.....
818D	22902	" " Thumb Screw.....
52386	22904	" Rock Shaft.....
29633	22904	" " " Crank with 157J.....
157J	22904	" " " " Clamping Screw...
52387	-----	Feed Rock Shaft complete, Nos. 29633 and 52386.....
50191C	22904	Feed Rock Shaft Screw Center.....
52097	-----	" " " " " 50191C with 1513J.....
1513J	22904	Feed Rock Shaft Screw Center Nut.....
25366	22901	Guide for flush throat plate.....
50190W	22901	" Thumb Screw.....
127243	22911	Needle Bar (hollow).....
127244	-----	" " 127243 with 51229D, 127245 and 127246.....
127230	22911	Needle Bar Bushing (lower).....
1133E	22911	" " " " Set Screw...
52014	22911	" " " " (upper).....
1133E	22911	" " " " Set Screw...
127231	22911	" " Connecting Link with 52207..
127232	-----	" " " " 127231 with 24041.....
775E	22911	Needle Bar Connecting Link Cap Screw...
52207	-----	" " " " Lubricating Pad (wood).....
24041	22911	Needle Bar Connecting Stud with 207E...
207E	22911	" " " " Clamping Screw
127253	22902	" " Crank with 1035C, 1037C and 1065C.....

No.	Plate	Name
1065C	22902	Needle Bar Crank Position Screw.....
127245	22911	" " Thread Guard.....
51229D	22911	" " " " Screw.....
127246	22911	" Clamp with 140119F.....
140119F	22911	" " Screw.....
127191	22901	Oil Tube with 52184.....
127091	22901	" " Bracket.....
127092	22901	" " " 127091 with 127191, for oiling Feed Connecting Link.....
52184	22901	Oil Tube Packing (wick).....
12391	22911	Presser Bar (hollow).....
52338	22911	" " Guide Bracket with 223C and 453C.....
453C	22911	Presser Bar Guide Bracket Set Screw....
5990	22911	" " Lifter.....
689C	22911	" " " Hinge Screw.....
1520J	22911	" " " " " Nut.....
12327	22911	" " Lifting and Releasing Lever Bracket.....
127108	22911	Presser Bar Spring.....
11170	22911	" " " Washer.....
20458	22911	" Foot (solid) for general and tailor work.....
176J	22911	Presser Foot Screw.....
688W	22911	Pressure Regulating Thumb Screw.....
127095	22911	Rotating Hook with three 1253C.....
127096	22911	" " 127095 with 127102 and four 1053E.....
*127239	-----	Rotating Hook 127096 with 40274, 127242 and three 1367E.....
127097	-----	Rotating Hook 127096 with 40274 and three 1367E (For Agents only).....
127240	22911	Rotating Hook 127239 with 52237.....
40264	22911	" " Bobbin.....
52235	22911	" " " Case.....
52236	-----	" " " " 52235 with 591F, 1380E and 40394.....
40392	22911	Rotating Hook Bobbin Case Latch.....
125320	22911	" " " " " Lever..
2974	22911	" " " " " " Fulcrum Pin.....
2975	22911	Rotating Hook Bobbin Case Latch Spring.
592E	22911	" " " " " Stop Screw.....
40393	-----	Rotating Hook Bobbin Case Hinge, Nos. 2974, 40392 and 125320.....
591F	22911	Rotating Hook Bobbin Case Tension Regu- lating Screw.....
40394	22911	Rotating Hook Bobbin Case Tension Spring.....

No.	Plate	Name
1380E	22911	Rotating Hook Bobbin Case Tension Spring Screw.....
52237	22911	Rotating Hook Bobbin Case complete, Nos. 592E, 2975, 40393 and 52236.....
127241	-----	Rotating Hook Bobbin Case 52237 with 127242.....
127242	22911	Rotating Hook Bobbin Case Holder.....
52018	22904	" " " " " Posi- tion Bracket.....
704J	22904	Rotating Hook Bobbin Case Holder Posi- tion Bracket Screw.....
40274	22911	Rotating Hook Section.....
1367E	22911	" " " Screw.....
1253C	22911	" " Set Screw.....
127292	22904	" " Shaft.....
127073	22904	" " " Bevel Gear with two 1259C.....
142712	22904	Rotating Hook Shaft Bevel Gear Case (two pieces) with 51068R and 140184E.....
140184E	22904	Rotating Hook Shaft Bevel Gear Case Plug Screw.....
51068R	22904	Rotating Hook Shaft Bevel Gear Case Screw.....
1259C	22904	Rotating Hook Shaft Bevel Gear Set Screw.....
52285	22904	Rotating Hook Shaft Bushing (back)....
52286	-----	" " " " " 52285 with 52279 and 52280.....
1143C	22904	Rotating Hook Shaft Bushing (back) Set Screw.....
52287	22904	Rotating Hook Shaft Bushing (front)....
52288	-----	" " " " " 52287 with 52279 and 52280.....
142008	22904	Rotating Hook Shaft Bushing (front) Oil Cup.....
1148C	22904	Rotating Hook Shaft Bushing (front) Set Screw.....
52280	22904	Rotating Hook Shaft Bushing Oil Pad (outside) felt.....
52279	22904	Rotating Hook Shaft Bushing Oil Wick (inside) braided cotton.....
127102	22911	Rotating Hook Thread Guard.....
1053E	22911	" " " " Screw.....
52337	22911	Slack Thread Regulator.....
223C	22911	" " " Set Screw.....
2102	22903	Tension Disc.....
1560C	22903	" Regulating Thumb Nut.....
32572	22903	" Releasing Disc.....

No.	Plate	Name
52445	22903	Tension Releasing Lever.....
12398	22903	" " " Hinge Pin.....
12329	22903	" " " Spring.....
32574	22903	" " Pin.....
2103	22903	" Spring.....
50304C	22903	" Stud.....
52098	-----	" " 50304C with 1560C.....
50305C	22903	" " Set Screw.....
52397	22903	Tension complete, Nos. 2103, 32572, 32574, 52083, 52098, 52394 and two 2102.....
52027	22903	Thread Guard (side of arm).....
52454	22903	" Retainer.....
624C	22903	" " Set Screw.....
127235	-----	Thread Take-up complete, Nos. 11204, 52025 and 127237.....
127236	22911	Thread Take-up Crank.....
127237	-----	" " " 127236 with 775E and 127232.....
1037C	22902	Thread Take-up Crank Position Screw....
1036C	22902	" " " Set Screw.....
52022	22911	" " Lever with 52130.....
52023	22911	" " " Hinge Pin.....
52024	22911	" " " Link.....
11204	22911	" " " " Hinge Pin....
435C	22911	" " " " " " Set Screw.....
52130	22911	Thread Take-up Lever Thread Eyelet Bushing.....
52025	-----	Thread Take-up Lever complete, Nos. 52022 to 52024.....
52394	22903	Thread Take-up Spring.....
52083	22903	" " " Regulator with 50305C.....
448C	22903	Thread Take-up Spring Regulator Set Screw.....
44256	22903	Throat Plate for 44252.....
691F	22903	" " Screw.....
44212	22910	Drip Pan with four 1 in. wire nails....
*15404	-----	Trade Mark.....
15405	-----	" " Rivet.....



MACHINE No. 1300-2

For Cloth, Tailoring etc. Lock stitch Rotating hook. Drop feed. Link take-up. Knee lifter. Gear-driven. Gears lubricated with oil. Maximum stitch $5\frac{1}{2}$ to the inch. For Motor Power. Speed 3000 R. P. M.

THIS MACHINE IS THE SAME AS THE 1300-1 MACHINE,
WITH THE FOLLOWING EXCEPTIONS:

No.	Plate	Name
127047	22905	Arm Shaft (horizontal) for 127197.....
127197	-----	" " " 127047 with 52196 and 127253, in place of 142703.....
52259	22905	Arm Shaft (horizontal) Flanged Bushing (back) for 52260.....
52260	-----	Arm Shaft (horizontal) Flanged Bushing (back) 52259 with 52193 and 52289, in place of 142705.....
144D	22905	Arm Shaft (horizontal) Screw, in place of Clamp Stop Motion.....
127205	22905	Balance Wheel (disc, power) $2\frac{3}{16}$ in. pulley with two 448C, in place of 142706.....
448C	22905	Balance Wheel Set Screw.....

ACCESSORIES

No.	Plate	Name
12361	22906	Machine Hinge Connection.....
44139	22906	" " Plate.....
44140	22906	Machine Hinge complete, Nos. 12361, 44139 and merlized wood screw 1 1/4 in. No. 14.....
20022	22906	Machine Cushion (felt).....
41400	22906	" Rest Pin (wood).....
120342	22906	Oiler (copper plated) with 120343.....
120343	22906	" Spout, 3 1/2 in. long.....
26026	22906	Screw Driver (large).....
26485	22906	" " (small).....
8909	22906	Wrench for 1513 and 1518.....
8908	22906	" " 1519 and 1520.....

BINDERS

WHEN ORDERING BINDERS SEND SAMPLE OF THE
BINDING AND MATERIAL TO BE BOUND

BINDER (Adjustable)

SIZE 1

No.	Plate	Name
25644	22912	Bed.....
25646	22912	Folder Guide (lower).....
25647	22912	" " (upper).....
1577D	22912	" " " Thumb Nut.....
25648	22912	Pressure Spring.....
334D	22912	" " Screw.....
7071	22912	" " Washer.....
25650	22912	Binder complete, Nos. 334D, 1577D, 7071, 25644 and 25646 to 25648.....
190D	22912	Binder Screw.....

BINDER (Adjustable)

SIZE 2

THIS BINDER IS THE SAME AS 25650 WITH THE

FOLLOWING EXCEPTIONS:

No.	Plate	Name
25651	22912	Bed, in place of 25644.....
25653	22912	Binder complete, Nos. 334D, 1577D, 7071, 25646 to 25648 and 25651.....

BINDER (Adjustable)

SIZE 3

THIS BINDER IS THE SAME AS 25650 WITH THE

FOLLOWING EXCEPTIONS:

No.	Plate	Name
25654	22912	Bed, in place of 25644.....
25656	22912	Binder complete, Nos. 334D, 1577D, 7071, 25646 to 25648 and 25654.....

BINDER (Adjustable)

FOR SOFT HATS

No.	Plate	Name
36456	22913	Bed.....
36457	22913	Folder.....
25672	22913	" Slide Carrier with 656E.....
656E	22913	" " " Adjusting Screw...
1536D	22913	" " " " Thumb Nut
25673	22913	" " " " " " "
		Guide.....
401E	22913	Folder Slide Carrier Adjusting Thumb Nut Guide Screw.....
334D	22913	Folder Slide Carrier Screw.....
36459	22913	Guide (back, lower).....
36460	22913	" (back, upper).....
233J	22913	" (back) Screw.....
36461	22913	" (front, lower).....
36462	22913	" (front, upper).....
233J	22913	" (front) Screw.....
25677	22913	Pressure Spring.....
334D	22913	" " Screw.....
36463	22913	Binder complete, Nos. 401E, 1536D, 25672, 25673, 25677, 36456, 36457, 36459 to 36462, two 233J and three 334D.....
190D	22913	Binder Screw.....
28713	22913	Presser Foot, for soft hat binding for 36463.....

Note: Presser Foot 28713 is used with, but not in-
cluded in 36463.

BINDER (Adjustable)

FOR SLEEVE FACINGS ON MILITARY COATS

No.	Plate	Name
120165	22913	Binder.....
28972	22913	Arm.....
940D	22913	" Hinge Screw.....
28973	22913	Hinge Plate.....
51224W	22913	Shank Thumb Screw.....
7071	22913	" " " Washer.....
120166	22913	Binder complete, Nos.940D, 7071, 28972, 28973, 51224W and 120165.....

BINDER (Boston)

No.	Plate	Name
120955	22913	Binder (Boston) on Shank.....

BINDER (English)FOR GAUGES UP TO $\frac{1}{16}$ INCH

No.	Plate	Name
121444	22914	Feed Dog, 13 teeth (16 teeth to the inch) for 121445.....
25721	22914	Folder.....
207F	22914	" Screw.....
7071	22914	" " Washer.....
25983	22914	Presser Foot.....
25722	22914	Ribbon Tension.....
190D	22914	" " Screw.....
7071	22914	" " " Washer.....
121445	22914	Throat Plate for 121444.....
26250	22914	Binder complete, Nos.190D, 207F, 25721, 25722, 25983, 121444, 121445 and two 7071.....

BINDER (English)

LARGE "D" FEED

THIS BINDER IS THE SAME AS 26250 WITH THE
FOLLOWING EXCEPTIONS:

No.	Plate	Name
12370	22914	Feed Dog, 15 teeth (16 teeth to the inch) for 26465 and 35741, in place of 121444.....
26465	22914	Throat Plate, large needle hole, for 12370, in place of 121445.....
35741	-----	Throat Plate, small needle hole, for 12370, in place of 121445.....
26466	22914	Binder complete, Nos.190D, 207F, 12370, 25721, 25722, 25983, 26465 or 35741 and two 7071.....

BINDER (English)THIS BINDER IS THE SAME AS 26250 WITH THE
FOLLOWING EXCEPTIONS:

No.	Plate	Name
44252	22903	Feed Dog, 12 teeth (12 teeth to the inch) for 28655 and 28656, in place of 121444.....
44253	22915	Feed Dog, 16 teeth (16 teeth to the inch) for 28655 and 28656, in place of 121444.....
28655	22915	Throat Plate, small needle hole, for 44252 and 44253, in place of 121445
28656	-----	Throat Plate, large needle hole, for 44252 and 44253, in place of 121445
28657	22915	Binder complete, Nos.190D, 207F, 25721, 25722, 25983, 28655 or 28656, 44252 or 44253 and two 7071.....

BINDER (English)

FOR CUT CLOTH

No.	Plate	Name
19474	22916	Feed Dog, 14 teeth (16 teeth to the inch) for 26401.....
25733	22916	Folder, for 1/2 inch binding.....

BINDERS

No.	Plate	Name
207F	22916	Folder Screw.....
7071	22916	" " Washer.....
26400	22916	Presser Foot.....
25734	22916	Ribbon Tension.....
190D	22916	" " Screw.....
7071	22916	" " " Washer.....
26401	22916	Throat Plate for 19474.....
26402	22916	Binder complete, Nos. 207F, 19474, 25733, 25734, 26400, 26401, two 190D and three 7071.....

BINDER (English)
FOR HEAVY WORK

No.	Plate	Name
121446	22917	Feed Dog (spiked teeth) 13 teeth (10 teeth to the inch) for 121447.....
28334	22917	Folder.....
193J	22917	" Screw.....
7071	22917	" " Washer.....
28676	22917	Presser Foot.....
28337	22917	Ribbon Tension.....
233J	22917	" " Screw.....
121447	22917	Throat Plate for 121446.....
28678	22917	Binder complete, Nos. 193J, 7071, 28334, 28337, 28676, 121446, 121447 and two 233J.....

BINDER (English)
FOR LIGHT WORK

THIS BINDER IS THE SAME AS 28678 WITH THE FOLLOWING EXCEPTIONS:

No.	Plate	Name
121269	22917	Presser Foot, in place of 28676.....
121270	22917	Binder (English) complete for light work, Nos. 193J, 7071, 28334, 28337, 121269, 121446, 121447 and two 233J.....

BINDER (English)
FOR CARPETS

THIS BINDER IS THE SAME AS 28678 WITH THE FOLLOWING EXCEPTIONS:

No.	Plate	Name
12370	22915	Feed Dog, 15 teeth (16 teeth to the inch) for 28775, in place of 121446.....
28775	22915	Throat Plate for 12370, in place of 121447.....
28776	22915	Binder complete, Nos. 193J, 7071, 12370, 28334, 28337, 28676, 28775 and two 233J.....

BINDER (English)
FOR AWNINGS

No.	Plate	Name
120434	22916	Feed Dog, 7 teeth (16 teeth to the inch) for 120436.....
120433	22916	Folder.....
207F	22916	" Screw.....
7071	22916	" " Washer.....
120435	22916	Presser Foot.....
25722	22916	Ribbon Tension.....
190D	22916	" " Screw.....
7071	22916	" " " Washer.....
120436	22916	Throat Plate for 120434.....
120437	22916	Binder complete, Nos. 190D, 207F, 25722, 120433 to 120436 and two 7071.....

BINDER (English)

FOR SLIP COVERS AND GENERAL WORK

THIS BINDER IS THE SAME AS 120437 WITH THE FOLLOWING EXCEPTIONS:

No.	Plate	Name
120458	22918	Presser Foot, in place of 120435.....
120459	22918	Binder complete, Nos. 190D, 207F, 25722, 120433, 120434, 120436, 120458 and two 7071.....

BINDER (English)

No.	Plate	Name
120124	22918	Feed Dog, 6 teeth (16 teeth to the inch) for 120126.....
120120	22918	Folder with 665J and 120121.....
120121	22918	" Guide.....
665J	22918	" " Screw.....
220J	22918	" Screw.....
7806	22918	" " Washer.....
120125	22918	Presser Foot.....
120123	22918	Ribbon Tension.....
190D	22918	" " Screw.....
7071	22918	" " " Washer.....
120126	22918	Throat Plate for 120124.....
120127	22918	Binder complete, Nos.220J, 7806, 120120, 120123 to 120126 and two each 190D and 7071.....

**BINDER (Transverse) ON SHANK
FOR FOLDED OR UNFOLDED BIAS BINDING**

(WITH TAPE REEL)

FOR GENERAL WORK

FOR 3/4 in., 7/8 in. and 1 in. TAPE

No.	Plate	Name
121167	22919	Binder Folder on Shank.....
43525	22919	Binder Steady Pin.....
51097J	22919	" Thumb Screw.....
3146	22919	" " " Washer.....
121397	22919	Feed Dog, 18 teeth (16 teeth to the inch) for 121398.....
121169	22919	Presser Foot.....
121412	22919	Tape Reel Arm with 8879, 23263 and 120537.....
23263	22919	Tape Reel Arm Steady Pin.....
51097J	22919	" " " Thumb Screw.....
120536	22919	" " " Disc with 120538 and 120539..
120537	22919	" " " Pin.....
8879	22919	" " " " Washer.....
120538	22919	" " " Stud (wood).....
120539	22919	" " " " Sleeve (brass).....

No.	Plate	Name
121398	22919	Throat Plate with 43525, for 121397....
121168	22919	Binder (transverse) on Shank complete, for 3/4 in., 7/8 in., and 1 in. tape, Nos. 3146, 120536, 121167, 121169, 121397, 121398, 121412 and two 51097J.....

BINDER AND PIPING ATTACHMENT

No.	Plate	Name
120532	22920	Binder (transverse) on Shank.....
51097J	22920	" " " " Thumb Screw
3146	22920	" " " " " "
		Washer.....
26603	22920	Feed Dog, 20 teeth (16 teeth to the inch) for 120741.....
120737	22920	Piping Attachment with 217J.....
217J	22920	" " Adjusting Screw.....
190J	22920	" " Screw.....
7071	22920	" " " Washer.....
120738	22920	Presser Foot.....
120739	22920	Tape Guide.....
120535	22920	" Reel Arm with 23263 and 120537....
23263	22920	" " " Pin.....
51097J	22920	" " " Thumb Screw.....
120536	22920	" " " Disc with 120538 and 120539..
120537	22920	" " " Pin.....
120538	22920	" " " Stud (wood).....
120539	22920	" " " " Sleeve (brass).....
120775	22920	" " " Pin.....
120740	22920	" " " 120775 with 42290.....
42290	22920	" " " Washer.....
120741	22920	Throat Plate with 43525, for 26603.....
43525	22920	" " Stud.....
120742	22920	Binding and Piping Attachment complete, Nos. 3146, 26603, 120532, 120535, 120737 to 120741 and two each 190J, 7071, 51097J and 120536.....

BINDERS (Foot)

No.	Plate	Name
120801	22921	Binder for general work.....
120802	22921	Binder for general work.....

BINDERS

No.	Plate	Name
36700	22921	Binder (left).....
28717	22921	" (right).....
35069	22921	" for strip to turn the upper edge in, for skirt facings, etc.....
28769	22921	Binder to turn top only.....

BINDERS ON SHANK

No.	Plate	Name
25705	22922	Binder on Shank for 3/8 in. tape.....
25706	22922	" " " " 7/16 in. tape.....
25707	22922	" " " " 1/2 in. tape.....
25708	22922	" " " " 9/16 in. tape.....
25709	22922	" " " " 5/8 in. tape.....
25710	22922	" " " " 11/16 in. tape.....
25711	22922	" " " " 3/4 in. tape.....
25712	22922	" " " " 13/16 in. tape.....
25713	22922	" " " " 7/8 in. tape.....
25714	22922	" " " " 15/16 in. tape.....
25715	22922	" " " " 1 in. tape.....
28611	22922	Binder on Shank for suspender webs....
28631	22922	" " Shank.....
28632	22922	" " " to turn edges under....
28633	22923	" " " " top edge only for binding coats.....
28634	22923	Binder on Shank to turn top edge only for raw edge binding.....
28635	22922	Binder on Shank for 7/8 in. binding....
28637	22925	" " " for bias binding, to turn top edge only, with guide for inserting canvas strip.....
28638	22924	Binder on Shank for dress shields.....
28639	22922	" " " to turn top edge only, for suspenders.....
28641	22922	Binder on Shank for 11/16 in. binding..
28643	22924	" " " with Guide (wire) for mattress work.....
28693	22922	Binder on Shank for binding the arm holes in cotton garments.....
28724	22923	Binder on Shank for binding the neck of knit underwear.....
28938	22923	Presser Foot for 28724.....
28732	22925	Binder on Shank to turn under both edges of binding.....
28733	22922	Binder on Shank for binding corset covers.....

BINDERS

No.	Plate	Name
28804	22923	Binder on Shank for binding dress shields.....
35040	22923	Presser Foot for 28804.....
28970	22924	Binder on Shank for bias binding, to turn both edges under.....
35065	22926	Binder on Shank for strip, to turn in upper edge only, for skirt facings, etc.....
35208	22926	Binder on Shank, to turn in both edges, for bias or straight binding, for skirts, wrappers, shirt waists, etc.
19474	22926	Feed Dog, 14 teeth (16 teeth to the inch) for 19475 and 35208.....
35066	22926	Presser Foot for 35065 and 35208.....
7298	22926	" " Hinge Pin.....
120143	22926	" " Plate.....
19335	22926	" " Shank.....
120144	22926	" " (hinged) complete for 35065 and 35208, Nos. 7298, 19335 and 120143.....
19475	22926	Throat Plate (large needle hole) for 19474.....
28731	22925	Binder on Shank, to turn under both edges of binding 1/8 in.....
35226	22925	Binder on Shank, for mattress work....
35352	22924	" Folder on Shank.....
35353	22924	" " Hinge Plate.....
1425B	22924	" " " Screw.....
2749	22924	" " " Friction Washer
35354	22924	" on Shank (hinged) complete, for mattress work, Nos. 1425B, 2749, 35352 and 35353.....

BINDERS (Horn) ON SHANK

No.	Plate	Name
28619	22927	Binder (horn) on Shank.....
28620	22927	Presser Foot for 28619.....
35067	22927	Binder (horn) on Shank, for strip, to turn both edges in, for ladies' collars, etc.....
35066	22927	Presser Foot for 35067.....
7298	22927	" " Hinge Pin.....
120143	22927	" " Plate.....
19335	22927	" " Shank.....
120144	22927	Presser Foot (hinged) complete, for 35067, Nos. 7298, 19335 and 120143....

BINDERS

No.	Plate	Name
28642	22927	Binder (horn) on Shank.....
28941	22927	" " " " for bias binding, to turn under both edges of binding
35062	22927	Binder (horn) on Shank, for 7/8 in. to 1 1/2 in. wide, for tape, for mat- tresses.....
35063	22927	Presser Foot for light work for 35062..

BOBBIN WINDERS

BOBBIN WINDER

(SWINGING AUTOMATIC, RIGHT HAND)

FOR 1300-1 MACHINE

No.	Plate	Name
41339	22907	Base.....
41340	22907	Frame.....
1429D	22907	" Hinge Screw.....
41341	22907	" Spring.....
207D	22907	" " Screw.....
41342	22907	Pulley with 200F.....
200F	22907	" Set Screw.....
41343	22907	Spindle.....
27306	22907	Spool Pin.....
27307	22907	" Stand.....
27308	22907	Spool Stand complete, Nos. 418E, 1562J, 2106, 10141, 11241, 27306, 27307 and two each 2455 and wood screws 1 in. No. 10.....
11241	22907	Spool Washer (cloth).....
41344	22907	Stop Latch.....
41345	22907	" " Finger.....
152F	22907	" " " Screw.....
1430D	22907	" " Hinge Screw.....
1550H	22907	" " " " Nut.....
41346	22907	" " Lever.....
1430D	22907	" " " Hinge Screw.....
2455	22907	Tension Disc.....
1562J	22907	" " Regulating Thumb Nut.....
418E	22907	" " Screw Stud.....
10141	22907	" Spring.....
2106	22907	" Thread Guide.....
60456	-----	Bobbin Winder, Nos. 152F, 207D, 1429D, 1550H, 41339 to 41346 and three 1430D.....
41347	22907	Bobbin Winder, Nos. 60456 and two each 9331 and wood screws 1 in. No. 10 R.H.B.....

No.	Plate	Name
41348	22907	Bobbin Winder (swinging automatic, right hand) complete, Nos. 27308 and 41347.....
9331	22907	Bobbin Winder Washer.....

BOBBIN WINDER

(SWINGING AUTOMATIC, RIGHT HAND)

FOR POWER TABLE

FOR 1300-2 MACHINE

No.	Plate	Name
225433	22908	Bobbin Winder and Tension Bracket Base.
225453	22908	Frame with 202277 and 225438.....
225454	22908	" Hinge Pin.....
202277	22908	" Oil Packing (wick).....
225438	22908	" " Well Cap.....
225455	22908	" Spring.....
225456	22908	" " Plunger.....
202473	22908	Pulley with 200380C.....
200380C	22908	" Set Screw.....
225381	22908	Spindle.....
225444	22908	Stop Latch.....
200056E	22908	" " Screw.....
225458	22908	" " Thumb Lever.....
225459	22908	" " " " Hinge Stud.....
225459	22908	" " " " Joint Stud.....
202478	22908	" " Trip Lever.....
200299H	22908	" " " " Hinge Screw.....
225461	22908	Tension Bracket with 201499B.....
200082D	22908	" " Screw.....
228026	22908	" " " Washer.....
2102	22908	" Disc.....
202407	22908	" Spring.....
201499B	22908	" Stud.....
201572B	22908	" " Thumb Nut.....
225462	22908	Tension Bracket complete, Nos. 201572B, 202407, 225461 and two 2102.....
225382	22908	Bobbin Winder complete, Nos. 200056E, 200082D, 200299H, 202473, 202478, 225381, 225433, 225444, 225453 to 225456, 225458, 225462, 228026, two each 225459 and wood screws 3/4 in. No. 12 R.H.B.....

BUTTONHOLE ATTACHMENT

No.	Plate	Name
121698	-----	Button Hole Attachment with 140212F....
140212F	-----	" " " Screw.....

CORDERS

WHEN ORDERING CORDERS, OR PARTS THEREOF, STATE
SIZE OR NUMBER OF CORDS TO THE INCH.

CORDER (Adjustable)
FOR SHORT TURNS ON CUSHIONS

No.	Plate	Name
26795	22928	Cord Guide.....
26796	22928	" " Arm.....
1044D	22928	" " " Hinge Screw.....
120206	22928	" " Bed with 457C.....
457C	22928	" " " Leveling Screw.....
190D	22928	" " Screw.....
120207	22928	Corder complete, Nos. 190D,1044D,26795, 26796 and 120206.....
121446	22928	Feed Dog, spiked teeth, 13 teeth (10 teeth to the inch) for 121447.....
120208	22928	Presser Foot (grooved).....
121447	22928	Throat Plate, for 121446

CORDER FOR TOP CORDING

No.	Plate	Name
25788	22929	Arm.....
190D	22929	" Adjusting Screw.....
25791	22929	" Bracket.....
25790	22929	" Hinge Pin.....
879D	22929	" Locking Screw.....
25792	22929	Arm and Bracket complete, Nos. 190D, 879D, 25788, 25790 and 25791.....
12372	22929	Feed Dog, 13 teeth (12 teeth to the inch) for 12442.....
25984	22929	Presser Foot.....
12442	22929	Throat Plate, small needle hole, for 12372.....

No.	Plate	Name
26328	22929	Corder complete, Nos. 135D,12372,12442, 25792 and 25984.....
135D	22929	Corder Screw.....

CORDER FOR TOP AND BOTTOM CORDING

THIS CORDER IS THE SAME AS 26328, WITH THE
FOLLOWING EXCEPTIONS:

No.	Plate	Name
28629	22930	Feed Dog, 13 teeth (14 teeth to the inch) for 28630, in place of 12372.
26167	22930	Presser Foot, in place of 25984.....
28630	22930	Throat Plate for 28629, in place of 12442.....
28788	22930	Corder complete, Nos. 135D,25792,26167, 28629 and 28630.....

CORDER (Bow) FOR TOP CORDING

No.	Plate	Name
26649	22929	Corder (bow) complete.....

CORDER FOR EDGE CORDING PLUSH

No.	Plate	Name
35026	22930	Corder on Shank.....
35027	22930	Feed Dog, 15 teeth (14 teeth to the inch) for 35029.....
35028	22930	Presser Foot.....
35029	22930	Throat Plate for 35027.....
35030	22930	Corder complete, for edge cording plush, Nos. 35026 to 35029.....

EDGE FOLDERS

No.	Plate	Name
28649	22929	Edge Folder on Shank.....
28709	22929	" " (double) on Shank,for canvas

EDGE FOLDERS

No.	Plate	Name
28735	22930	Edge Folder on Shank, for seaming umbrellas.....
28767	22930	Edge Folder (double) on Shank, the under fold to extend 1/16 in. beyond edge of the upper fold.....
28753	22930	Edge Folder and Guide on Shank, for top fold only.....
35175	22931	Edge Folder on Shank.....
12450	22931	Feed Dog, 11 teeth (18 teeth to the inch) for 12451, 12464 and 35175....
35176	22931	Presser Foot for 35175.....
12464	-----	Throat Plate, large needle hole, for 12450.....
12451	22931	Throat Plate, small needle hole, for 12450.....
36292	22928	Edge Folder (double).....
28972	22928	" " Holder.....
35610	22928	" " " Friction Washer.....
940F	22928	" " " Hinge Screw.....
28973	22928	" " " Shank.....
51224W	22928	" " " Thumb Screw.....
7071	22928	" " " Washer.....
36293	22928	Edge Folder (double) hinged (adjustable) complete, Nos. 940F, 7071, 28972, 28973, 35610, 36292 and 51224W.
44252	22928	Feed Dog, 12 teeth (12 teeth to the inch) for general work for 36293 and 44256.....
36294	22928	Presser Foot for 36293.....
44256	22928	Throat Plate for 44252.....

FEED DOGS AND THROAT PLATES

No.	Plate	Name
26603	22951	Feed Dog, 20 teeth (16 teeth to the inch) for 26605.....
26605	22951	Throat Plate, large needle hole, for 26603.....
19474	22954	Feed Dog, 14 teeth (16 teeth to the inch) for 19475, 24572 and 36906...
19475	22954	Throat Plate, large needle hole, for 19474.....
24572	-----	Throat Plate, small needle hole, for 19474.....
36906	22954	Throat Plate with under guide, for rick rack for 19474.....

FEED DOGS AND THROAT PLATES

No.	Plate	Name
121446	22951	Feed Dog (spiked teeth) 13 teeth (10 teeth to the inch) for 127306 and 127307.....
127306	22951	Throat Plate, large needle hole, for 121446.....
127307	-----	Throat Plate, small needle hole, for 121446.....
121444	22951	Feed Dog, 13 teeth (16 teeth to the inch) for 121445.....
121445	22951	Throat Plate for 121444.....
121397	22951	Feed Dog, 18 teeth (16 teeth to the inch) for 121398.....
121398	22951	Throat Plate with 43525, for 121397....
43525	22951	" " Stud for 121398.....
12468	22951	Feed Dog, 16 teeth (16 teeth to the inch) beveled for hemmer for shirt work for 139616 and 139617.....
139616	-----	Throat Plate, large needle hole, for 12468.....
139617	22951	Throat Plate, small needle hole, for 12468.....
44156	22951	Feed Dog, 24 teeth (24 teeth to the inch) for silk, for 19418 and 19419.....
19418	22951	Throat Plate, large needle hole, for 44156.....
19419	-----	Throat Plate, small needle hole, for 44156.....

FINGER GUARDS

FINGER GUARD (Metal)

No.	Plate	Name
121326	22931	Finger Guard.....
36819	22931	" " Friction Washer.....
36820	22931	" " Holder with 196J.....
196J	22931	" " " Set Screw.....
50316J	22931	" " Screw.....
121327	22931	Finger Guard (metal) complete, Nos. 36819, 36820, 50316J and 121326....

FINGER GUARD (Wire)

No.	Plate	Name
120857	22931	Finger Guard.....
120858	22931	" " Holder with 50302J.....

No.	Plate	Name
50302J	22931	Finger Guard Holder Set Screw.....
236J	22931	" " Screw.....
120860	22931	Finger Guard (wire) complete, Nos. 120857, 120858 and two 236J.....

FOOT LIFTER PARTS

No.	Plate	Name
5596	22904	Bell Crank.....
56848	-----	" " 5596 with 5599 and 5601.....
5599	22904	" " Bracket.....
178E	22904	" " " Screw.....
5601	22904	" " Hinge Pin.....
5735	22904	" " Spring.....
5598	-----	Bell Crank complete, Nos. 5735 and 56848
5670	22909	Chain, length 26 in. to 35 in. with 56864 and 56865.....
Note: When ordering No. 5670, state length required		
56864	22909	Chain Hook (large).....
56865	22909	" " (small).....
4879	22909	" Connecting Link.....
12237	22904	Lifting Lever with 448C.....
52028	22904	" " Connecting Rod.....
12416	22904	" " " " Joint.....
76D	22904	" " " " Hinge Screw.....
1521E	22904	Lifting Lever Connecting Rod Lock Nut..
802D	22904	" " Hinge Screw.....
12241	22911	" " Link.....
766D	22911	" " " Hinge Screw.....
12240	22904	" " Pin.....
448C	22904	" " " Set Screw.....
2763	22909	Rock Shaft.....
12242	22909	" " Hanger with two wood screws 1 in. No. 10.....
6337	22909	Rock Shaft Lifting Bracket with two 356C.....
12243	22909	Rock Shaft Lifting Bracket Hook.....
7125	22909	" " " " Hook.....
356C	22909	" " " " " Set Screw
356C	22909	" " " " " Set Screw...
2770	22909	" " Stop Dog with 140219C.....
140219C	22909	" " " " " Set Screw.....
4880	22909	Rock Shaft complete, Nos. 2763, 2770, 7125, 12243 and two each 6337 and 12242.....

No.	Plate	Name
4881	22909	Treadle.....
4882	22909	" Shaft.....
4883	22909	" Spring.....
4884	22909	" Stand.....
4885	22909	Treadle complete, Nos. 4879, 4881 to 4884 and two wood screws 1 in. No. 16.....
52319	-----	Foot Lifter complete, Nos. 76D, 766D, 802D, 1521E, 4880, 4885, 5598, 5670, 12237, 12240, 12241, 12416, 52028 and two 178E.....

GUIDES (Miscellaneous)

No.	Plate	Name
35190	22932	Guide.....
25866	22932	" for flush throat plate.....
25874	22932	" " raised throat plate.....
25873	22932	" (combination).....
28658	22932	" (roller) with 1852.....
1852	22932	" Roller for 28658.....
284W	22932	" Thumb Screw (long).....
732W	22932	" " " (short).....
3146	22932	" " " Washer.....
28971	22933	Guide.....
28972	22933	" Holder.....
35610	22933	" " Friction Washer.....
940J	22933	" " Hinge Screw.....
120427	22933	" " Shank.....
51224W	22933	" Thumb Screw.....
7071	22933	" " " Washer.....
120428	22933	Guide (adjustable, hinged) complete, Nos. 940J, 7071, 28971, 28972, 35610, 51224W and 120427.....

EDGE GUIDE (Roller)

No.	Plate	Name
26803	22933	Bed with 2362.....
220J	22933	Leveling Screw.....
121146	22933	Slide with 26809, 51916 and two 12152..
121147	22933	" with 26809, 51917 and two 12152..
26805	22933	" Cap (left).....

GUIDES

No.	Plate	Name
207F	22933	Slide Cap (left) Screw.....
2362	22933	" " " Steady Pin.....
26806	22933	" " (right).....
207F	22933	" " " Screw (large).....
233J	22933	" " " " (small).....
26807	22933	" Lever.....
94D	22933	" " Hinge Screw.....
51916	22933	" Roller and Screw Stud.....
51917	22933	" " Cone and Screw Stud.....
26808	22933	" Spring.....
26807	22933	" " Cover.....
12152	22933	" " " Rivet.....
26810	22933	Edge Guide (roller) complete, Nos. 94D, 233J, 26803, 26805 to 26808, 121146, two 207F and four 220J.....
121148	22933	Edge Guide (cone shaped roller) complete, Nos. 94D, 233J, 26803, 26805 to 26808, 121147, two 207F, and four 220J.....
1900	22933	Edge Guide Screw.....

EDGE GUIDE (Roller)

FOR GLOVE WORK

No.	Plate	Name
36185	22932	Arm with 1996.....
36186	22932	" Friction Washer.....
1425D	22932	" Hinge Screw.....
1988	22932	" Roller and Screw Stud.....
36187	22932	Bed with four 465F.....
465F	22932	" Levelling Screw.....
36188	22932	Edge Guide (roller) complete, Nos. 1425D and 36185 to 36187.....

HEMMERS

HEMMER

WITH LEVER FOR OPENING THE FOLDER AND RELEASING THE HEM, SO THAT IT CAN BE FINISHED WITHOUT REMOVING THE HEMMER FROM MACHINE.

FOR SKIRTS, OVERALLS, OR SIMILAR

CLOSED ARTICLES

No.	Plate	Name
26899	22934	Hemmer Bed.....
*26880	-----	" Folder (left).....

HEMMERS

No.	Plate	Name
233J	22934	Hemmer Folder (left) Screw.....
2362	22934	" " " Steady Pin.....
28685	22934	" " Disengaging Lever.....
94D	22934	" " " " Hinge Screw.....
2362	22934	Hemmer Folder Disengaging Lever Stop Pin.....
28682	22934	Hemmer Slide with 28687 and two each 2362 and 12152.....
28683	22934	Hemmer Slide Cap (left).....
28684	22934	" " " (right).....
207F	22934	" " " Screw (back).....
233J	22934	" " " " (front).....
28686	22934	" " Spring.....
28687	22934	" " " Cover.....
12152	22934	" " " " Rivet.....
28688	22934	Hemmer complete, Nos. 94D, 28679, 28680, 28682 to 28686, two 207F and three 233J.....
1900	22934	Hemmer Screw.....
18055	22934	Presser Foot Hinge Pin.....
28689	22934	" " Plate.....
28690	22934	" " Shank.....
26231	22934	" " Spring.....
28691	22934	Presser Foot (spring hinged) complete, Nos. 18055, 26231, 28689 and 28690.

HEMMERS (Foot)

No.	Plate	Name
120938	22934	Hemmer (foot) for 3/32 in. hem.....
120803	22934	" " " 1/8 in. hem.....
120804	22934	" " " 5/32 in. hem.....
120805	22934	" " " 3/16 in. hem.....
36122	22935	" " " 7/32 in. hem.....
120806	22935	" " " 1/4 in. hem.....
120807	22935	" " " 5/16 in. hem.....
35710	22935	" " " 3/32 in. hem, with guide on bottom to the right of needle hole.....
35682	22935	Hemmer (foot) for 1/8 in. hem with guide on bottom to the right of needle hole.....
36524	22935	Hemmer (foot) for 5/32 in. hem, with guide on bottom to the right of needle hole.....

No.	Plate	Name
35997	22935	Hemmer (foot) for 3/16 in. hem, with guide on bottom to the right of needle hole.....
36309	22935	Hemmer (foot) for 7/32 in. hem, with guide on bottom to the right of needle hole.....
36072	22935	Hemmer (foot) for 1/4 in. hem, with guide on bottom to the right of needle hole.....
120998	22935	Hemmer (foot) for 1/16 in. to 1/8 in. hem, for China silk, etc.....
120911	22935	Hemmer (foot) for 5/32 in. to 1/4 in. hem, for China silk, etc.....
36413	22935	Hemmer (foot) plain bottom, 1/16 in. hem
36414	22935	" " " " 3/32 in. hem
36480	22935	" " " " 5/32 in. hem
36416	22935	" " " " 3/16 in. hem
120937	22935	" " " " 1/8 in. hem slotted for lace.....

HEMMERS ON SHANK

No.	Plate	Name
12450	22936	Feed Dog, 11 teeth (18 teeth to the inch) for 12451, 12464 and 26655...
26656	22936	Presser Foot for 26655.....
12464	-----	Throat Plate, large needle hole, for 12450.....
12451	22936	Throat Plate, small needle hole, for 12450.....
26655	22936	Hemmer on Shank for 3/32 in. hem.....
26660	22936	" " " " 3/32 in. hem, for umbrella work.....
26662	22936	Hemmer on Shank (wide).....
26664	22936	" " " " for raw edge silk.....
26666	22936	" " " " 1/8 in. hem.....
26935	22936	" " " " (narrow).....
28948	22936	" " " " for one fold, with right hand lower guide, for lace...
36521	22937	Hemmer on Shank for 1/4 in. hem.....
36712	22937	Hemmer on Shank for 1/4 in. hem for umbrella work.....
28623	22937	Hemmer and Corder on Shank, to take goods from above to cord bottom....
28624	22937	Presser Foot with groove on bottom to the right of needle hole, for 28623
28627	22940	Hemmer on Shank, for 1/8 in. to 5/8 in. gauges for Marseilles quilts.....
28628	22940	Presser Foot for 28627.....
28650	22938	Hemmer on Shank, for hemming heavy Canton flannel.....
28651	22939	Hemmer on Shank, for turning tops and bottoms of canvas leggings.....

No.	Plate	Name
28652	22938	Hemmer on Shank, for 1 9/16 in. to 2 in. hem.....
28653	22938	Hemmer on Shank, for 2 9/16 in. to 3 in. hem.....
28700	22940	Hemmer (short head) on Shank, for hemming stable blankets.....
28701	22940	Presser Foot (tube) for laying braid on stable blankets, for 28700.....
36589	22940	Presser Foot for 28700.....
28710	22938	Hemmer on Shank, for 1/8 in. hem.....
120337	22938	" " " " 1/8 in. to 3/8 in. hem, for bottom of shirt waists....
28711	22938	Hemmer on Shank, for 3/16 in. hem, for hemming towels.....
28719	22938	Hemmer on Shank, for 1/4 in. to 1/2 in. hem.....
28720	22938	Hemmer on Shank, for 3/4 in. to 1 in. hem.....
120338	22941	Hemmer, for 120340.....
120339	22941	" Shank for 120340.....
1443J	22941	" " Screw.....
120340	22941	Hemmer on Shank complete, for 1/2 in. to 2 in. hem, Nos. 120338, 120339 and two 1443J.....
28721	22939	Hemmer on Shank, for 1 1/4 in. to 2 in. hem.....
36776	22941	Hemmer on Shank, for 2 1/4 in. to 3 in. hem.....
28722	22939	Hemmer on Shank for heavy woven goods..
28723	22939	" " " " with guide, for hemming and stitching on lace in one operation.....
120367	22939	Hemmer on Shank, for handkerchief work.
28736	22942	" " " " umbrella work.....
28737	22939	" " " " soft material to turn the hem under.....
28738	22942	Hemmer on Shank, 3/8 in. hem, to turn the hem under.....
28739	22941	Hemmer on Shank, 3 in. hem, for sheets and pillow slips, to turn the hem under.....
28935	22941	Hemmer on Shank for bobbinette material, to turn the hem under.....
35022	22937	Hemmer on Shank, for 1/16 in. hem, with right hand lower guide for lace....
35475	22937	Hemmer on Shank, for 5/32 in. hem, with right hand lower guide for lace....
35023	22937	Hemmer on Shank, for 1/16 in. hem, with left hand lower guide for lace.....

HEMMERS

No.	Plate	Name
120452	22939	Hemmer on Shank, for 1/32 in. to 1/8 in. gauges, for Windsor ties.....
35064	22941	Hemmer on Shank, for 1 in. to 2 in. hem, for general work.....
35104	22939	Hemmer on Shank, for bottom of shirt waists, for inserting drawing or shirring string.....
35063	22939	Presser Foot, for light work, for 35104
35832	22939	" " " heavy work, for 35104
35166	22942	Hemmer on Shank, for 1 in. hem, to turn the goods under.....
28614	22942	Presser Foot for 35166.....
120289	22942	Hemmer on Shank, for 2 in. hem, to turn the goods under.....
19474	22942	Feed Dog, 14 teeth (16 teeth to the inch) for 19475 and 35236.....
35063	22942	Presser Foot for light work for 35236..
19475	22942	Throat Plate, large needle hole, for 19474.....
35236	22942	Hemmer on Shank, for 7/16 in. hem.....
19474	22943	Feed Dog, 14 teeth (16 teeth to the inch) for 19475 and 35241.....
35066	22943	Presser Foot for 35241.....
7298	22943	" " Hinge Pin.....
120143	22943	" " Plate.....
19335	22943	" " Shank.....
120144	22943	Presser Foot (hinged) complete, for 35241, Nos. 7298, 19335 and 120143.
19475	22943	Throat Plate, large needle hole, for 19474.....
35241	22943	Hemmer on Shank, for Canton flannel etc.
26603	22943	Feed Dog, 20 teeth (16 teeth to the inch) for 26605, 35681 and 35863...
35066	22943	Presser Foot for 35681 and 35863.....
26605	22943	Throat Plate, large needle hole, for 26603.....
35863	22943	Hemmer on Shank, for canvas work.....
35679	22940	" Folder on Shank for 35681.....
35353	22940	" " Hinge Plate for 35681....
1425D	22940	" " " Screw.....
36006	22940	" " " " Washer for 35681.....
35681	22940	Hemmer on Shank (hinged) complete, for mattress work, Nos. 1425D, 35353, 35679 and 36006.....

HEMSTITCHER

No.	Plate	Name
28671	22934	Hemstitcher.....

KNEE LIFTER PARTS

No.	Plate	Name
5596	22904	Bell Crank.....
56848	-----	" " 5596 with 5599 and 5601.....
5599	22904	" " Bracket.....
178E	22904	" " " Screw.....
5601	22904	" " Hinge Pin.....
5735	22904	" " Spring.....
5598	-----	Bell Crank complete, Nos. 5735 and 56848.....
12237	22904	Lifting Lever with 448C.....
52028	22904	" " Connecting Rod.....
12416	22904	" " " " Joint.....
76D	22904	" " " " " Hinge Screw.....
1521E	22904	Lifting Lever Connecting Rod Lock Nut..
802D	22904	" " Hinge Screw.....
12241	22911	" " Link.....
766D	22911	" " " Hinge Screw.....
12240	22904	" " Pin.....
448C	22904	" " " Set Screw.....
2763	22910	Rock Shaft.....
7539	22910	" " Hanger with two wood screws 1 in. No. 10.....
2765	22910	Rock Shaft Knee Arm.....
2766	22910	" " " " Hub with 356C.....
356C	22910	" " " " Set Screw.....
2768	-----	Rock Shaft Knee Arm complete, Nos. 2765 to 2767.....
2767	22910	Rock Shaft Knee Plate with 356C.....
356C	22910	" " " " Set Screw.....
6337	22910	" " Lifting Bracket with two 356C
2778	22910	" " " " Hook.....
356C	22910	" " " " Set Screw
356C	22910	" " " " Set Screw....
2770	22910	" " Stop Dog with 140219C.....
140219C	22910	" " " " Set Screw.....
12250	22910	Rock Shaft complete, Nos. 2763, 2768, 2778, 6337 and two each 2770 and 7539.....

No.	Plate	Name
52320	-----	Knee Lifter complete, Nos. 76D, 766D, 802D, 1521E, 5598, 12237, 12240, 12241, 12250, 12416, 52028 and two 178E...

LAP SEAM FELLER

No.	Plate	Name
28673	22934	Lap Seam Feller (right hand) on Shank, to fold top only.....
28674	22934	Lap Seam Guide on Shank.....

MACHINE BASE

No.	Plate	Name
19219	22909	Bed Frame Cushion (leather).....
158C	22909	" " " Screw.....
19220	22909	" " " Spring.....
19226	22909	" " Hinge Connection.....
19398	-----	" " " " 19226 with 211E and 19397.....
19397	22909	Bed Frame Hinge Connection Cap.....
211E	22909	" " " " " Screw...
16555	22909	" " " Plate.....
14010	22909	" " " " Rivet.....
20067	22909	" " with two each 16555, 19398, four each 19219, 19220, six each 14010, wood screws 1 1/4 in. No. 12 and eight 158C.....

PIPING ATTACHMENT

(FOR PIPING HOUSE DRESSES)

No.	Plate	Name
35245	22944	Piping Attachment on Shank with 1443J and 120977.....
120977	22944	Piping Attachment for 35245.....
1443J	22944	" " Adjusting Screw.....
44253	22944	Feed Dog, 16 teeth (16 teeth to the inch) for 44256.....

No.	Plate	Name
35246	22944	Presser Foot for 35245.....
44256	22944	Throat Plate for 44253.....

PRESSER FEET

No.	Plate	Name
120828	22945	Presser Foot (single toe) for gathering
26638	22945	" " (double toe) for gathering
26642	22945	" Foot.....
26643	22945	" " Guide.....
26644	22945	" " " Hinge Pin.....
26645	22945	" " " Spring.....
337D	22945	" " " " Screw.....
26646	22945	Presser Foot (spring guide) complete, Nos. 337D and 26642 to 26645.....
26650	22945	Presser Foot, for braiding.....
26801	22944	" " Adjustable Guide for 26802
725D	22944	" " " " Screw....
26802	22944	" " with two adjustable guides, Nos. two each 725D and 26801.....
26936	22944	Presser Foot, for etching.....
26978	22945	" " Graduated Adjustable Guide for 26977.....
335D	22945	Presser Foot Graduated Adjustable Guide Screw.....
26977	22945	Presser Foot with Graduated Adjustable Guide with 335D and 36978, for tailor work.....
28672	22944	Presser Foot two grooves to the right of needle hole, for cording.....
28725	22945	Presser Foot Spring Guide.....
665J	22945	" " " " Screw.....
28726	22945	" " (right hand spring guide) with 665J and 28725, for 1/32 in. to 1/4 in. gauges.....
Note: When ordering Nos. 28725 or 28726, state required distance from edge of goods to seam.		
28743	22945	Presser Foot (grooved) with tube, for cording.....
28746	22945	Presser Foot (tube) for guiding and stitching the left hand edge of ribbon.....
28908	22945	Presser Foot Spring Guide for 28909....
665J	22945	" " " " Screw.....
28909	22945	" " (left hand spring guide) with 665J and 28908.....

PRESSER FEET

No.	Plate	Name
28920	22945	Presser Foot, for braiding, to stitch braid on right hand edge.....
62527	22945	Presser Foot Hinge Pin.....
24488	22945	" " Plate.....
19223	22945	" " Shank.....
24489	22945	Presser Foot (hinged) complete, for heavy work, Nos. 19223, 24488 and 62527.....
35172	22945	Presser Foot (tube) for guiding and stitching the right hand edge of ribbon.....
44158	22944	Feed Dog, 15 teeth (14 teeth to the inch) for 44161 and 44162.....
26276	22944	Presser Foot Hinge Pin.....
44159	22944	" " Plate.....
44160	22944	" " Shank.....
44161	22944	Presser Foot (hinged) complete, Nos. 26276, 44159 and 44160.....
44162	22944	Throat Plate for 44158.....
36022	22945	Presser Foot with 665J and 36023, for blind stitch cording, for 12 to 40 ligne cord, for ornamental cording on skirts, suits, etc.....
36023	22945	Presser Foot Cord Guide for 36022.....
Note: When ordering Nos. 36022 or 36023, state the size or send sample of cord for which it is to be used.		
665J	22945	Presser Foot Cord Guide Screw.....
36182	22945	" " with 665J and 36183, for blind stitch braiding, for soutache braid.....
36183	22945	Presser Foot Braid Guide.....
Note: When ordering Nos. 36182 or 36183, send sample of braid for which it is to be used.		
665J	22945	Presser Foot Braid Guide Screw.....
36622	22945	" " for 36623.....
36623	22945	" " 36622 with 36576 and two 50202D.....
36576	22945	Presser Foot Finger Guard.....
50202D	22945	" " " " Screw.....
139618	22945	" " with 228J, needle hole on left hand side.....
228J	22945	Presser Foot Screw.....
139619	22945	" " Strip Gauge for 139618.....

PRESSER FEET WITH GRADUATED ADJUSTABLE GUIDES

No.	Plate	Name
28949	22946	Presser Foot.....
28950	22946	" " Graduated Adjustable Guide
28951	22946	" " " " " "
		Clamping Lever.....
2653	22946	Presser Foot Graduated Adjustable Guide Clamping Lever Hinge Pin.....
28952	22946	Presser Foot Graduated Adjustable Guide Clamping Lever Spring.....
26092	22946	Presser Foot Graduated Adjustable Guide Clamping Lever Spring Rivet.....
28953	22946	Presser Foot with Graduated Adjustable Guide complete, for tailor work, Nos. 2653, 26092 and 28949 to 28952
35134	22946	Presser Foot with 36696.....
35002	22946	" " Extension.....
35003	22946	" " Graduated Adjustable Guide (long, left).....
35004	22946	Presser Foot Graduated Adjustable Guide (long, right).....
35005	22946	Presser Foot Graduated Adjustable Guide (short, right).....
35006	22946	Presser Foot Graduated Adjustable Guide (short, right) flush.....
35135	22946	Presser Foot Graduated Adjustable Guide Clamp.....
35136	22946	Presser Foot Graduated Adjustable Guide Clamp Lever.....
337B	22946	Presser Foot Graduated Adjustable Guide Clamp Screw.....
36696	22946	Presser Foot Graduated Adjustable Guide Clamp Steady Pin.....
35137	22946	Presser Foot with Extension and Graduated Adjustable Guides, complete, Nos. 337B, 35002 to 35006 and 35134 to 35136.....

PRESSER FOOT EXTENSIONS

No.	Plate	Name
12435	22947	Presser Foot with 228J, needle hole on right hand side.....
62527	22947	Presser Foot Hinge Pin.....

PRESSER FOOT EXTENSIONS

No.	Plate	Name
20155	22947	Presser Foot Plate.....
20156	22947	" " Shank.....
20157	22947	Presser Foot (hinged) complete, Nos. 228J, 20155, 20156 and 62527.....
26279	22947	Presser Foot Extension, 1/16 in., for 12435 and 20157.....
26280	22947	Presser Foot Extension, 1/6 in., for 12435 and 20157.....
26281	22947	Presser Foot Extension, 1/4 in., for 12435 and 20157.....
26282	22947	Presser Foot Extension, 3/8 in., for 12435 and 20157.....
26283	22947	Presser Foot Extension, 1/2 in., for 12435 and 20157.....
208J	22947	Presser Foot Extension Screw.....

QUILTERS

No.	Plate	Name
28659	22946	Quilter Guide for 28660.....
25992	22946	" " Holder with two 207F, for 28660.....
207F	22946	Quilter Guide Holder Set Screw.....
207F	22946	" " Set Screw.....
28660	22946	Quilter complete, Nos. 25992 and 28659.
120479	22946	" Guide (left).....
120480	22946	" " (right).....
120481	22946	" " Bracket.....
209C	22946	" " " Set Screw.....
120482	-----	" " " 120481 with 120483 and two 209C.....
120483	22946	Quilter Guide Disengaging Sleeve.....
120484	22946	" " " " Spring
602D	22946	" " " " " Screw.....
209C	22946	Quilter Guide Set Screw.....
120485	22946	Quilter complete, Nos. 602D, 120479, 120480, 120482 and 120484.....

RUFFLER

No.	Plate	Name
121116	22948	Driving Lever.....
51371K	22948	" " Adjusting Thumb Screw (lower).....

RUFFLER

No.	Plate	Name
560B	22948	Driving Lever Adjusting Thumb Screw (upper).....
120812	22948	Driving Lever Bushing.....
120813	22948	" " Friction Washer.....
51219F	22948	" " Hinge Screw.....
1700J	22948	" " " " Nut.....
121117	22948	Frame.....
36637	22948	" Spring Plate.....
36638	22948	Ribbon Guide.....
240B	22948	" " Screw.....
121118	22948	Ruffling Blade.....
121119	22948	" " Holder.....
121120	-----	" " " 121119 with 121118 and two 120829.....
36641	22948	Ruffling Blade Holder Guide.....
36642	22948	" " " " Rivet.....
51221F	22948	" " " " Hinge Screw.....
1772J	22948	" " " " " Nut..
121121	22948	" " Lever with 560B and 51371K
120829	22948	" " Rivet.....
36644	22948	Separating Blade.....
120830	22948	" " Holder.....
121501	-----	" " " 120830 with 36644 and two 120829.....
36646	22948	Separating Blade Holder Friction Spring
36647	22948	" " " Hinge Stud.....
36648	22948	" " " Stop Stud.....
120829	22948	" " Rivet.....
36644	22948	Shirring Blade.....
120818	22948	" " Holder.....
120819	22948	" " " 120818 with 36644 and two 120829.....
120829	22948	Shirring Blade Rivet.....
121123	22948	Ruffler complete, Nos. 240B, 1700J, 1772J, 36637, 36638, 36641, 36642, 36646 to 36648, 51219F, 51221F, 120812, 120813, 121116, 121117, 121120, 121121 and 121501.....
121697	22948	Ruffler 121123 with 120819 and 121696..
121696	22948	Needle Clamp with 140204F.....
140204F	22948	" " Screw.....

SEAMER

No.	Plate	Name
26658	22944	Seamer.....

THREAD UNWINDER

FOR TWO SPOOLS OR TWO LARGE CONES OF THREAD

No.	Plate	Name
225257	22248	Spool Rest with 201018C.....
150203	22248	" " Cushion (felt).....
225388	22248	Spool Rest Rod.....
200383C	22248	" " " Set Screw.....
201018C	22248	" " Set Screw.....
202490	22248	" Stand with 200383C.....
225391	22248	Thread Guide.....
201696J	22248	" " Lock Nut.....
225326	22248	" " Position Cup.....
225324	22248	" " Rod with 208E and 225322..
208E	22248	" " " Screw.....
225322	22248	" " " Washer.....
225258	22248	Thread Unwinder complete, Nos. 201696J, 202490, 225257, 225324, 225326, 225388, two each 150203, 225391 and three wood screws 7/8 in. No. 12 F.H.....
27739	22248	Thread Cone (wood) for large cones....
225390	22248	" " Holder, for inverted cones.

Note: Nos. 27739 and 225390 are used with, but not included in 225258

TUBULAR TRIMMING ATTACHMENT

(FOR MAKING $\frac{3}{32}$ in. to $\frac{3}{16}$ in. TRIMMINGS)

No.	Plate	Name
52031	22947	Feed Dog, 19 teeth (22 teeth to the inch) for 52033.....
120824	22947	Strip Wire.....
35018	22947	Tape Delivery Blade.....
52033	22947	Throat Plate for 52031.....
120835	22947	Tubular Trimming Attachment.....
120836	22947	Tubular Trimming Attachment complete, for making $\frac{3}{32}$ in. to $\frac{3}{16}$ in. trimmings, Nos. 35018, 120824 and 120835.....

TUCKERS

TUCKER

No.	Plate	Name
36655	22948	Driving Lever.....
36656	22948	" " Hinge Stud.....
36657	22948	" " Lock Spring.....
36658	22948	" " " Rivet.....
120800	22948	Frame.....

No.	Plate	Name
26718	22948	Needle Clamp Body.....
1943	22948	" " Roller.....
1115F	22948	" " Screw.....
26719	22948	Needle Clamp complete, Nos. 1115F, 1943 and 26718.....
36660	22948	Tuck Guide.....
50238B	22948	" " Thumb Screw.....
36661	22948	" " " " Washer.....
36662	22948	" Marker (lower).....
36663	----	" " " 36662 with 36664 and two 36648.....
36664	22948	Tuck Marker (upper).....
120572	22948	" " Clamping Plate.....
50238B	22948	" " " " Thumb Screw.
36648	22948	" " Rivet.....
36667	22948	" Smoothing Spring.....
86354	22948	" " " Rivet.....
36561	22948	Tucker complete, Nos. 26719, 36655 to 36657, 36660, 36661, 36663, 36667, 120500, 120572 and two each 36658, 50238B and 86354.....

TUCKER (Power)

No.	Plate	Name
26099	22949	Bed.....
26100	22949	Cloth Guide.....
291D	22949	" " Thumb Screw.....
26101	22949	" " Slide with 26102 and two 26092.....
4604	22949	Cloth Guide Slide Rivet.....
401E	22949	" " " Screw.....
26378	22949	Leveling Plate.....
12143	22949	Presser Foot.....
26368	22949	Tuck Marking Bar.....
26369	----	Tuck Marking Bar complete, Nos. 26368 and 26370 to 26372.....
26105	22949	Tuck Marking Bar Bracket.....
26106	22949	" " " " Hinge Pin.....
220J	22949	" " " " " " Set Screw.....
26107	22949	Tuck Marking Bar Lifting Spring.....
26108	22949	" " " Pressure Spring.....
26109	22949	" " " " " Clamp with 196F.....
196F	22949	Tuck Marking Bar Pressure Spring Clamp Set Screw.....

TUCKERS

No.	Plate	Name
334D	22949	Tuck Marking Bar Set Screw.....
26370	22949	" " Pin.....
26371	22949	" " " Guide Pin.....
26372	22949	" " " Spring.....
26102	22949	" " Plate.....
26092	22949	" " " Rivet.....
26111	22949	" Smoothing Spring.....
4604	22949	" " " Rivet.....
26377	22949	Tucker complete, Nos. 220J, 291D, 334D, 401E, 12143, 26099 to 26101, 26105 to 26109, 26111, 26369, 26378 and three 4604.....
176 D	22949	Tucker Screw.....

**TUCKER
(LONG ARM)**

No.	Plate	Name
35528	22950	Presser Foot (short plate) for 36395....
36387	22950	Space Guide.....
35510	22950	" " Base with 35512, 35514 and two 1426E.....
402D	22950	Space Guide Base Screw.....
35511	22950	" " Indicator.....
35512	22950	" " Pin.....
35513	22950	" " Stop (left).....
35514	22950	" " " " Guide Pin.....
1426E	22950	" " " " Screw Stud.....
1657D	22950	" " " " Thumb Nut.....
17718	22950	" " " " " Washer
3551F	22950	" " " (right).....
1426 E	22950	" " " " Screw Stud.....
1657D	22950	" " " " Thumb Nut.....
17718	22950	" " " " " Washer
51224W	22950	" " Thumb Screw.....
36388	22950	Space Guide complete, Nos. 35510, 35511, 35513, 35515, 36387, 51224W and two each 1657D and 17718.....
35517	22950	Tuck Guide Arm.....
1177J	22950	" " " Screw.....
35518	22950	" " Base.....
50134E	22950	" " " Screw Stud.....
36389	22950	" " Bracket.....
307C	22950	" " " Screw Center.....
56814	-----	" " " " " 307C with 1513J.....
1513J	22950	Tuck Guide Bracket Screw Center Nut.....

TUCKERS

No.	Plate	Name
36390	22950	Tuck Guide Bracket Spring.....
36391	22950	" " " " Plate.....
9D	22950	" " " " Screw.....
423C	22950	" " " Stop Screw.....
1520J	22950	" " " " Nut.....
36392	22950	" " Frame.....
36393	22950	" " " Spring.....
1510E	22950	" " " " Nut.....
35524	22950	" " " " Washer.....
303C	22950	" " " Stop Screw.....
1520J	22950	" " " " Nut.....
35511	22950	" " Indicator.....
35525	22950	" " " Plate.....
1115F	22950	" " Screw.....
36394	22950	Tuck Guide complete, Nos. 9D, 423C, 803C, 1510E, 35511, 35517, 35518, 35524, 35525, 36389 to 36393, 50134E, two each 1115F, 1177J, 1520J, 56814 and three wood screws 1 1/4 in. No. 10..
36395	22950	Tucker (long arm) complete, Nos. 35528, 36388, 36394 and two 402D.....

FITTINGS

FOR GENERAL WORK

No.	Plate	Name
44252	22952	Feed Dog, 12 teeth (12 teeth to the inch) for 44256.....
20458	22952	Presser Foot (solid).....
44256	22952	Throat Plate for 44252.....

Note: Above Parts are shipped with machines unless otherwise specified on order.

FOR CHIFFON

No.	Plate	Name
20348	22952	Feed Dog, 22 teeth (36 teeth to the inch) for 12451 and 12464.....
12260	22952	Presser Foot.....
12464	-----	Throat Plate, large needle hole, for 20348.....
12451	22952	Throat Plate, small needle hole, for 20348.....

FOR FINISHING KNIT UNDERWEAR

No.	Plate	Name
20018	22952	Feed Dog, 17 teeth (15 teeth to the inch) for 20019.....
20020	22952	Presser Foot.....
20019	22952	Throat Plate, large needle hole, for 20018.....

FOR GENERAL MUSLIN WORK

No.	Plate	Name
20352	22952	Feed Dog, 15 teeth (16 teeth to the inch) for 20353 and 20354.....
12142	22952	Presser Foot.....
20353	-----	Throat Plate, large needle hole, for 20352.....
20354	22952	Throat Plate, small needle hole, for 20352.....

FOR HEAVY WORK ON DUCK, OVERALLS, ETC.

No.	Plate	Name
20119	22954	Feed Dog, 18 teeth (16 teeth to the inch) for 20120 and 20187.....
12259	22954	Presser Foot (solid).....
62527	22954	" " Hinge Pin.....
24544	22954	" " Plate.....
24982	22954	" " Shank.....
26231	22954	" " Spring.....
24983	22954	" " (spring hinged) complete, Nos. 24544, 24982, 26231 and 62527..
20120	22954	Throat Plate, large oblong needle hole, for 20119.....
20187	-----	Throat Plate, small oblong needle hole, for 20119.....

FOR TAILOR WORK

No.	Plate	Name
44136	22954	Feed Dog, 15 teeth (16 teeth to the inch) for 44137 and 44138.....

No.	Plate	Name
20458	22954	Presser Foot (solid).....
7298	22954	" " Hinge Pin.....
19334	22954	" " Plate.....
19335	22954	" " Shank.....
19336	22954	Presser Foot(hinged) complete, Nos.7298, 19334 and 19335.....
44137	22954	Throat Plate, large needle hole, for 44136.....
44138	-----	Throat Plate, small needle hole, for 44136.....

FOR UMBRELLA WORK

No.	Plate	Name
20275	22954	Feed Dog, 13 teeth (18 teeth to the inch) for 20277 and 20362.....
20276	22954	Presser Foot.....
20277	22954	Throat Plate, large needle hole, for 20275.....
20362	-----	Throat Plate, small needle hole, for 20275.....

FOR SHIRT WORK USING A HEMMER

No.	Plate	Name
12455	22953	Feed Dog, 13 teeth (14 teeth to the inch) beveled for hemmer, for 12456 and 20336.....
20336	22953	Feed Dog, 16 teeth (16 teeth to the inch) beveled for hemmer, for 20337 and 20338.....
12468	22953	Feed Dog, 16 teeth (16 teeth to the inch) beveled for hemmer, for 139616 and 139617.....
20471	22953	Feed Dog, 22 teeth (22 teeth to the inch) beveled for hemmer, for 139616 and 139617.....
12144	22953	Presser Foot.....
20398	-----	Throat Plate, large needle hole, for 12455.....
12456	22953	Throat Plate, small needle hole, for 12455.....
20337	22953	Throat Plate, large needle hole, for 20336.....

FITTINGS

No.	Plate	Name
20338	-----	Throat Plate, small needle hole, for 20336.....
139616	-----	Throat Plate, large needle hole, for 12468 and 20471.....
139617	22953	Throat Plate, small needle hole, for 12468 and 20471.....

FOR SILK

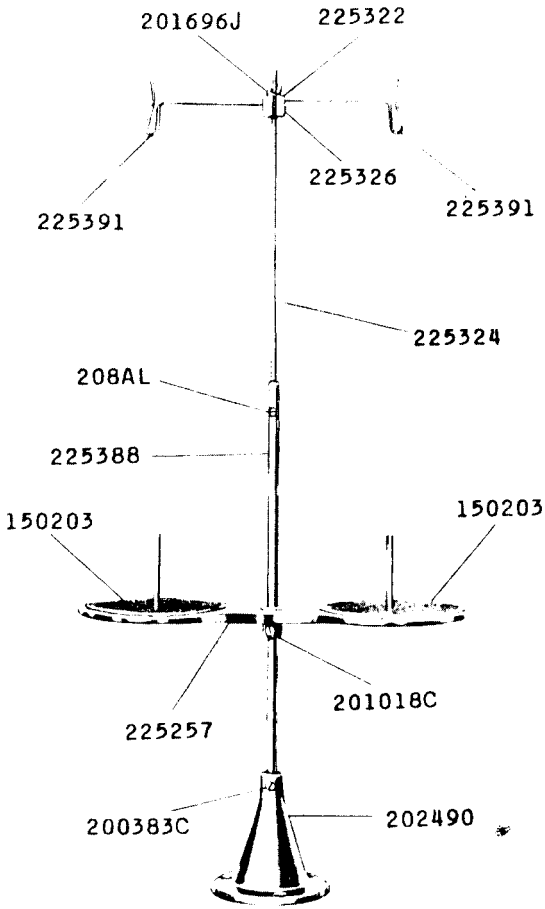
No.	Plate	Name
44156	22951	Feed Dog, 24 teeth (24 teeth to the inch) for 19418 and 19419.....
7298	22954	Presser Foot Hinge Pin.....
19334	22954	" " Plate.....
19335	22954	" " Shank.....
19336	22954	Presser Foot (hinged) complete, Nos. 7298, 19334 and 19335.....
19418	22951	Throat Plate, large needle hole, for 44156.....
19419	-----	Throat Plate, small needle hole, for 44156.....

SINGER Needles should be used
in SINGER Machines.
These Needles and their Containers
are marked with the
Company's Trade Mark "SIMANCO.**" 1

Needles in Containers marked
"FOR SINGER MACHINES"
are NOT **SINGER** made needles. 2

22248 - 1/6

225258



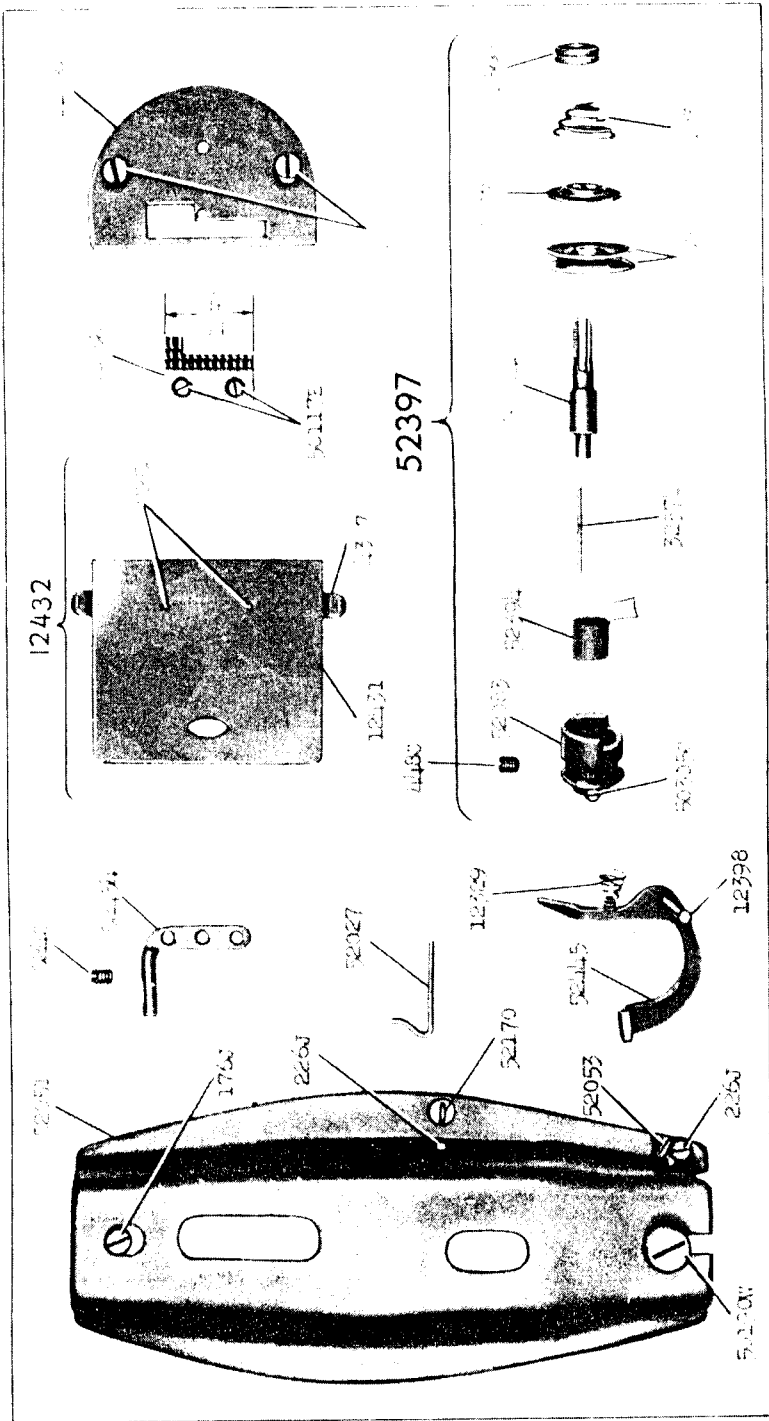
27739



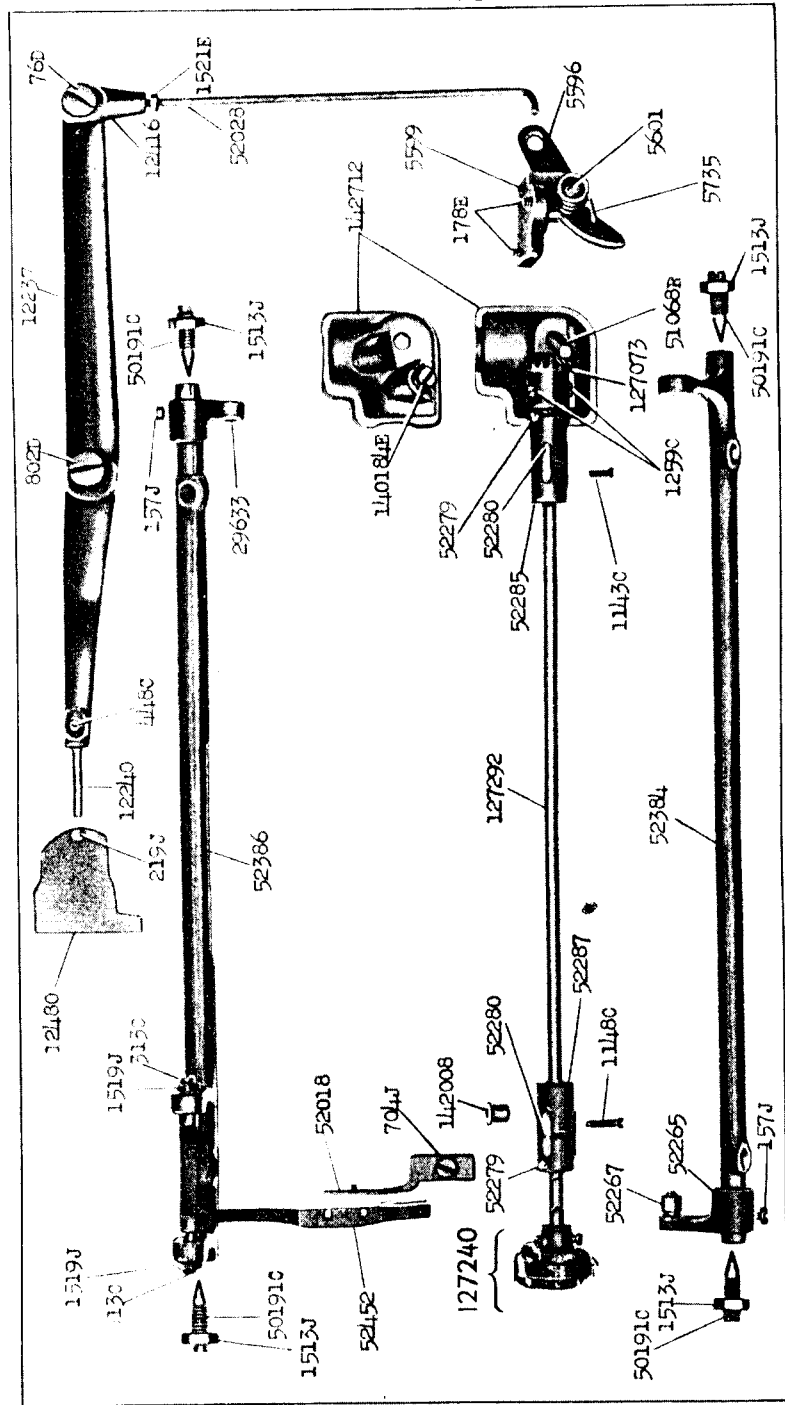
225390



22903 - 1/2

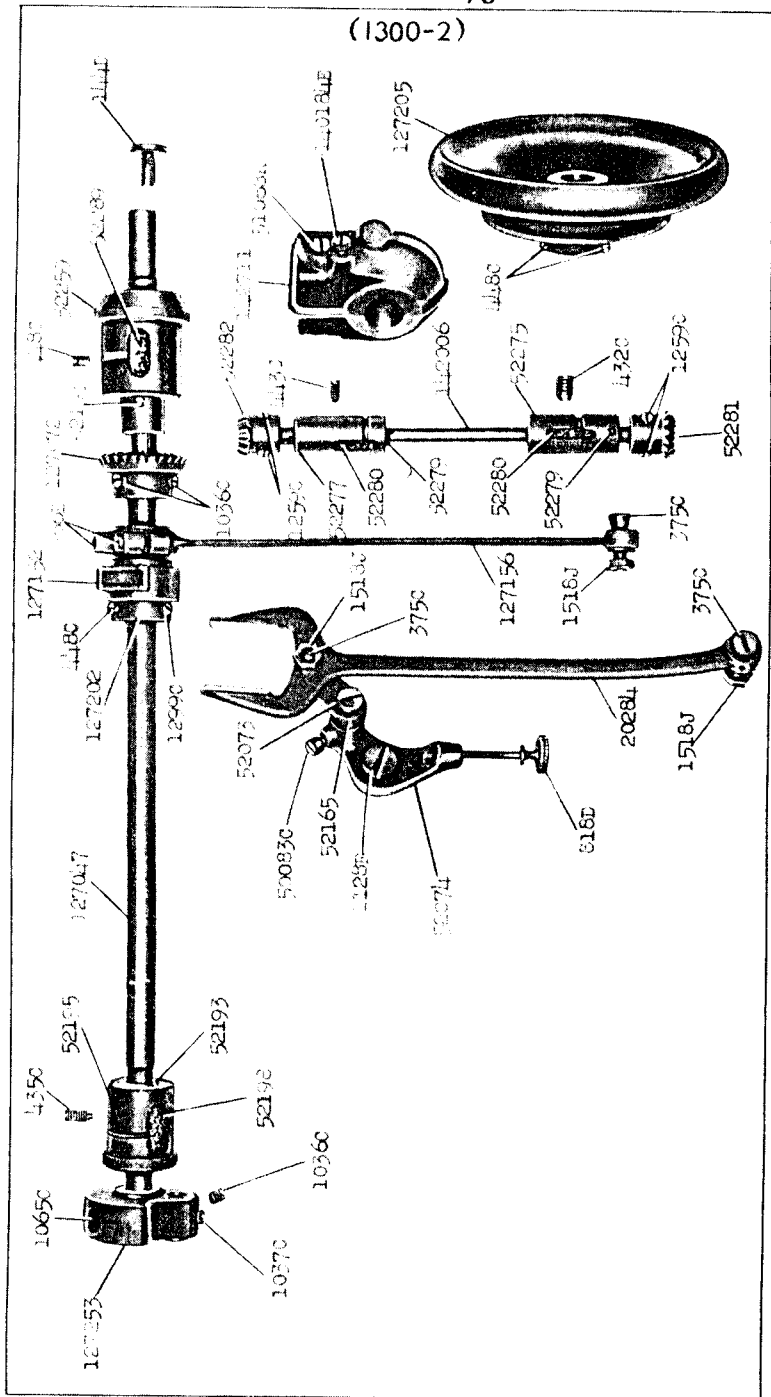


22904 - 1/3

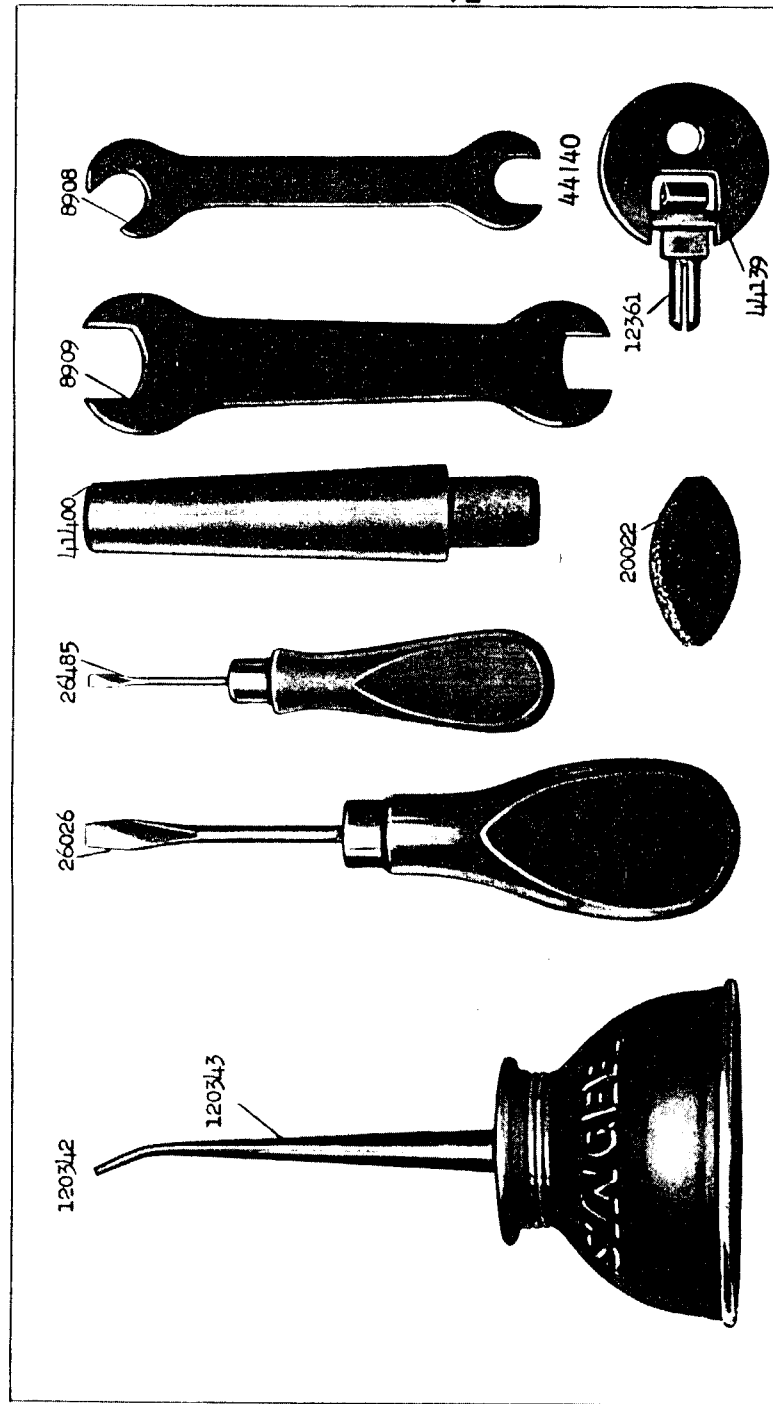


22905 - 1/3

(1300-2)

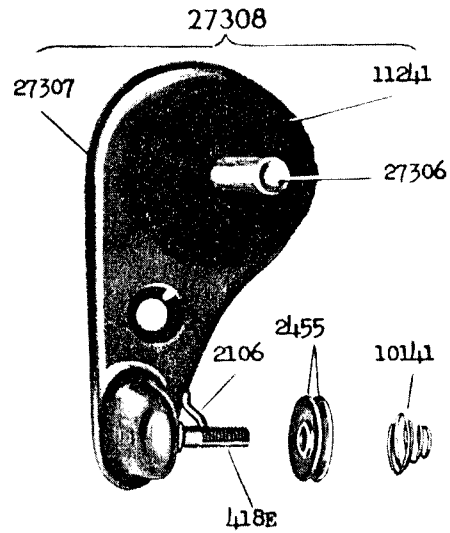


22906 - 1/2

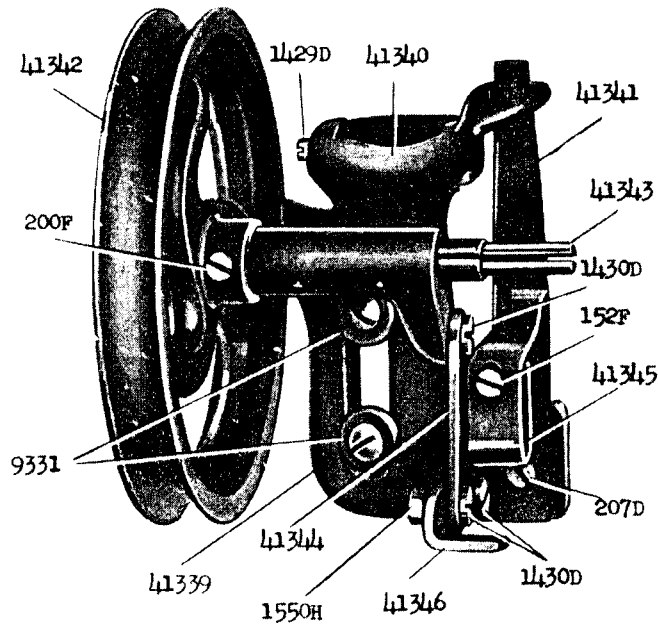


22907 - 2/3

41348

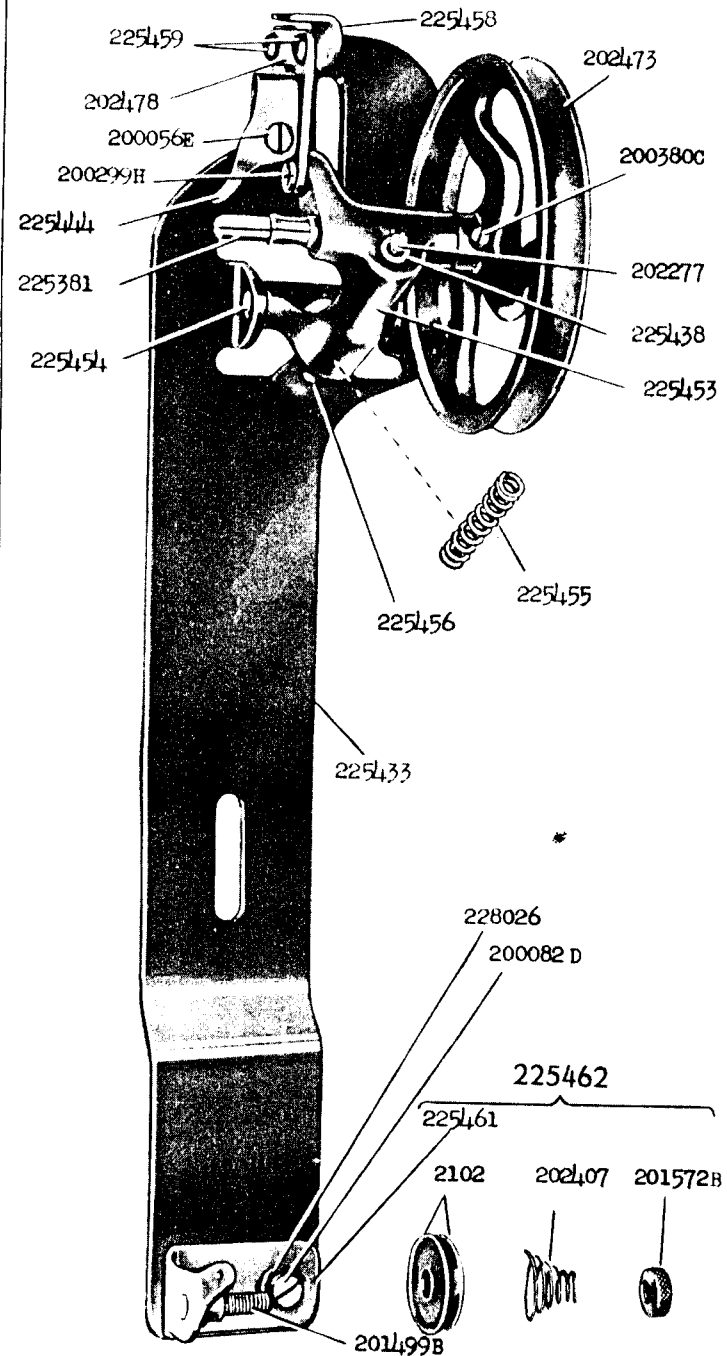


41347

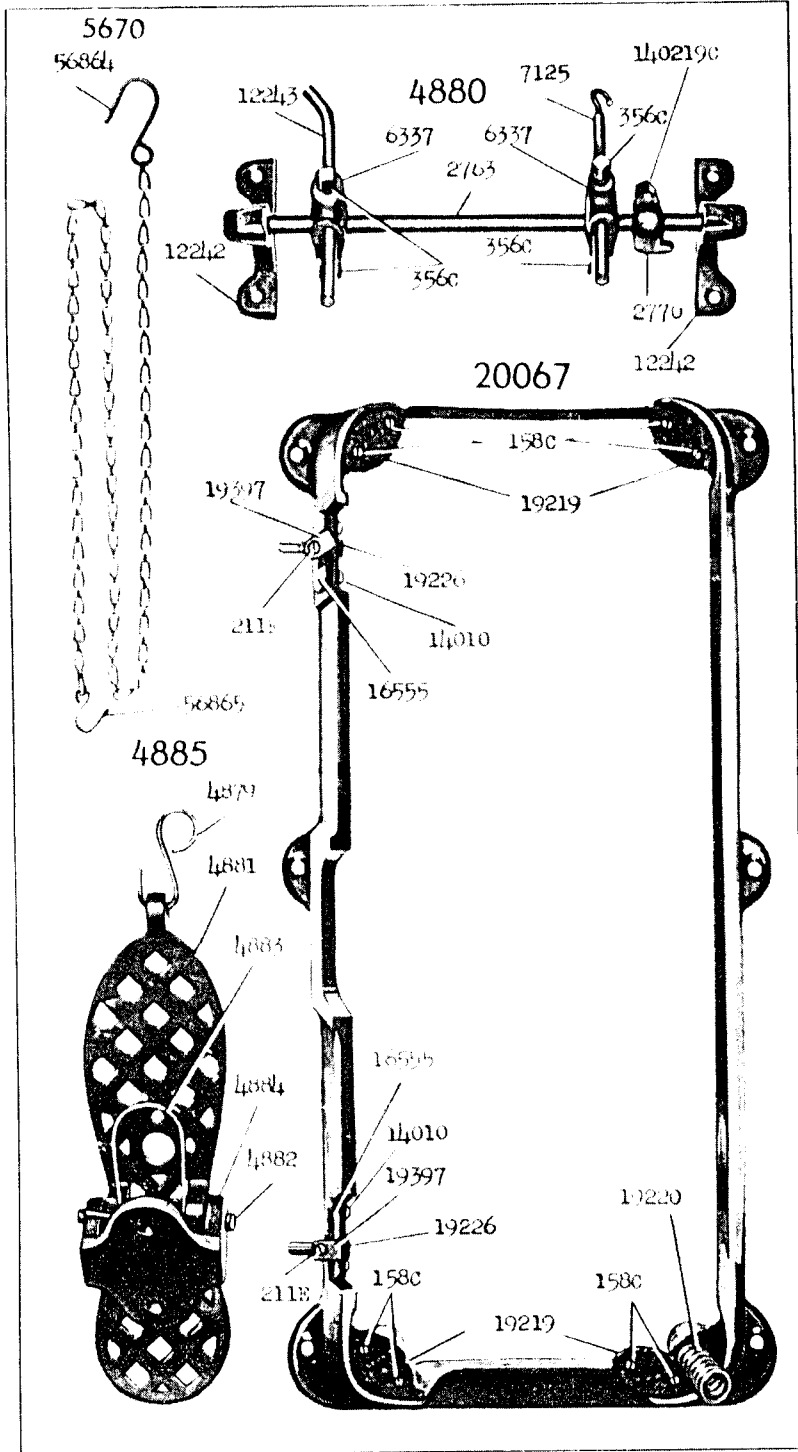


22908 - 1/2

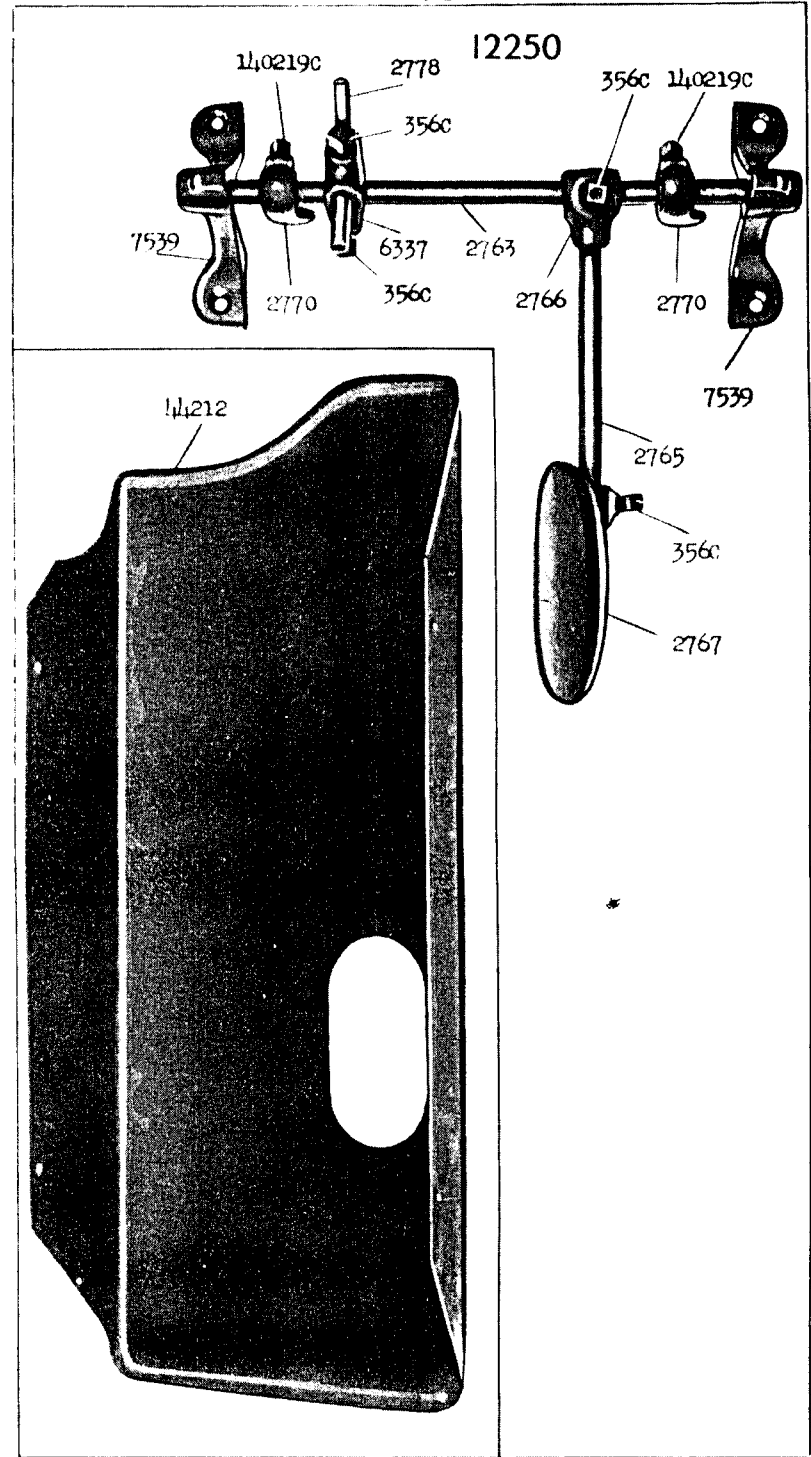
225382



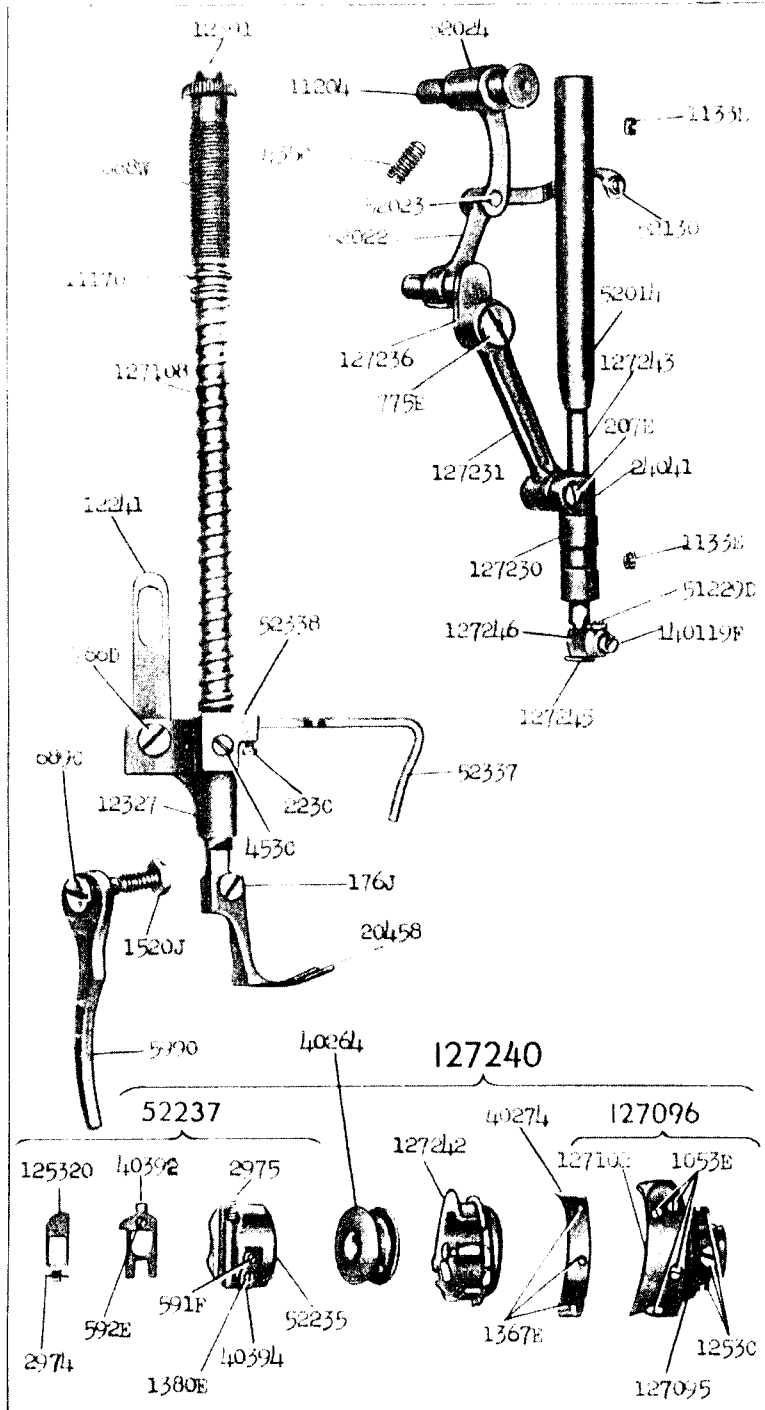
22909 - 1/4



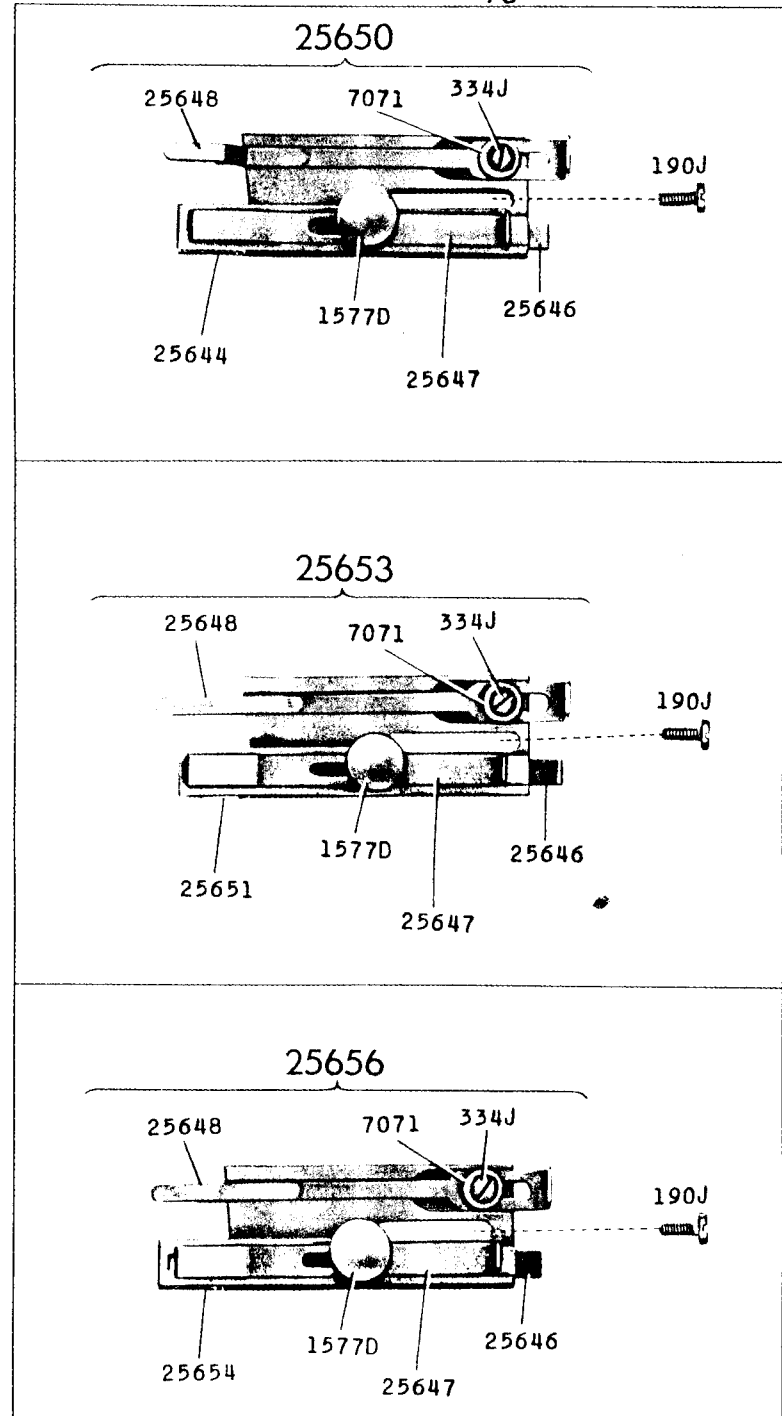
22910 - 1/4



22911 - 1/2

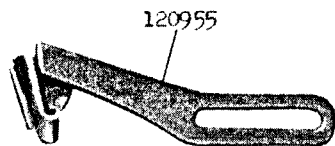
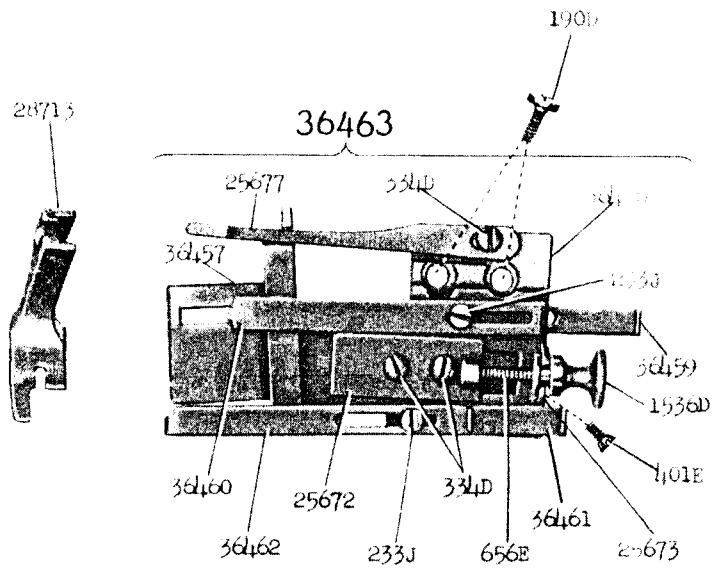
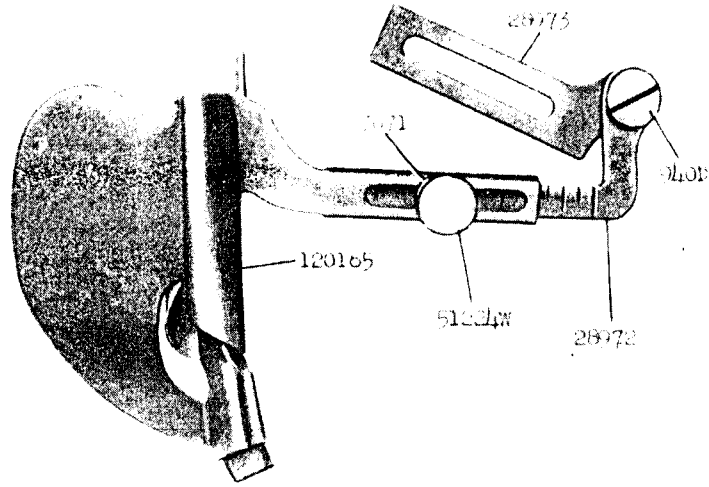


22912 - 2/3



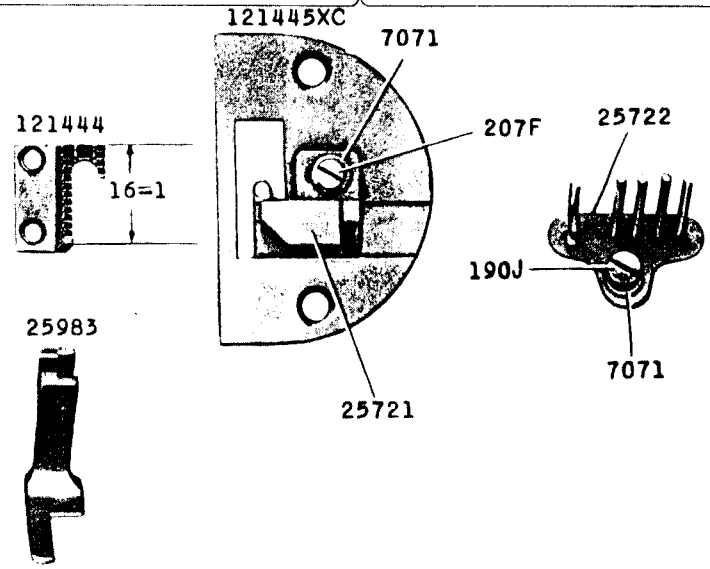
22913 - 2/3

120166

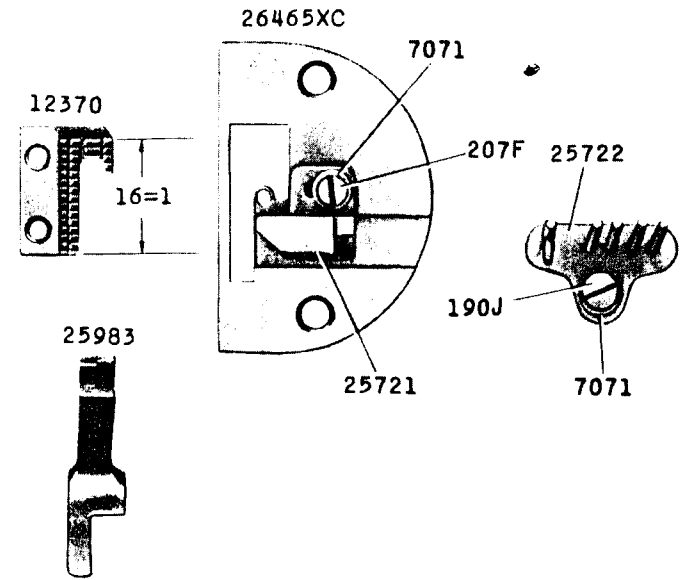


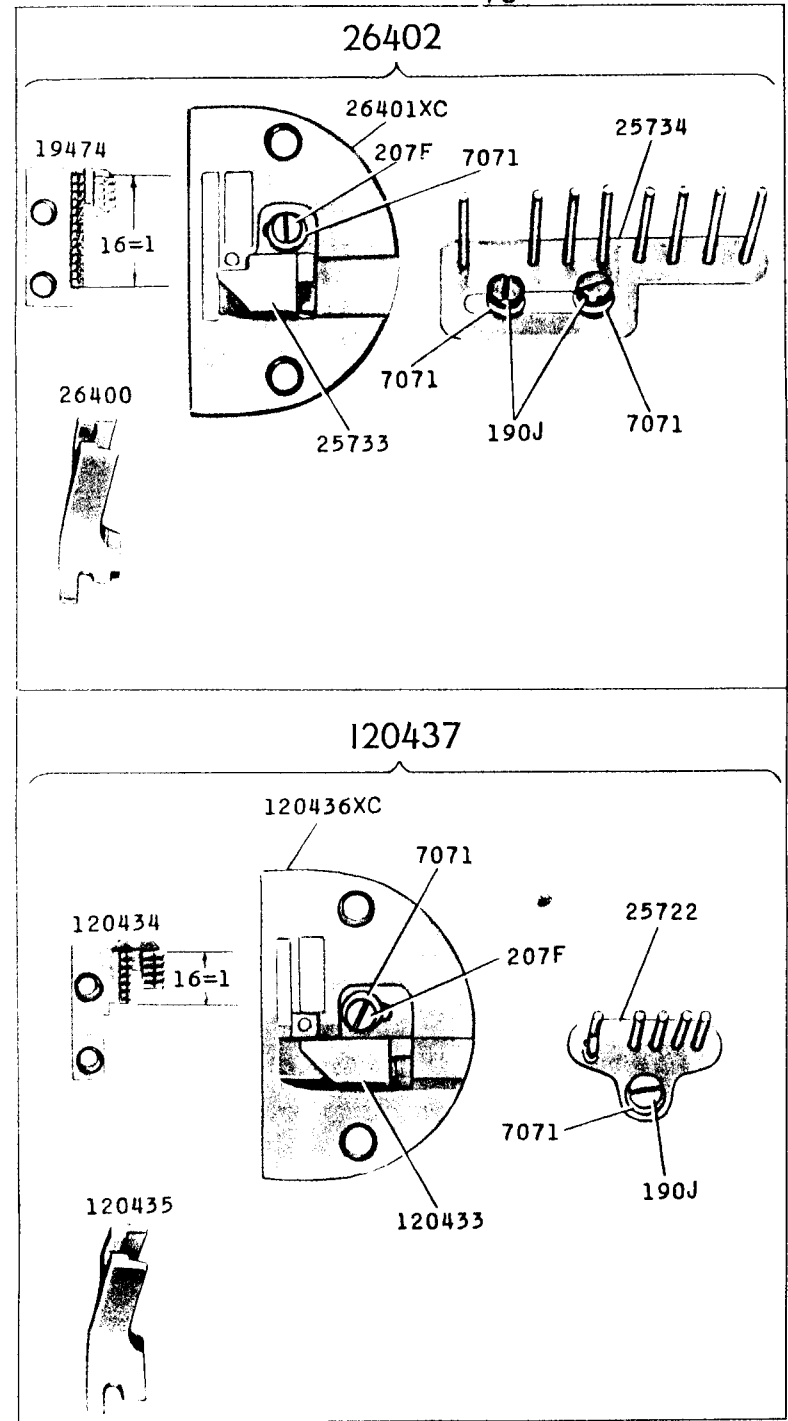
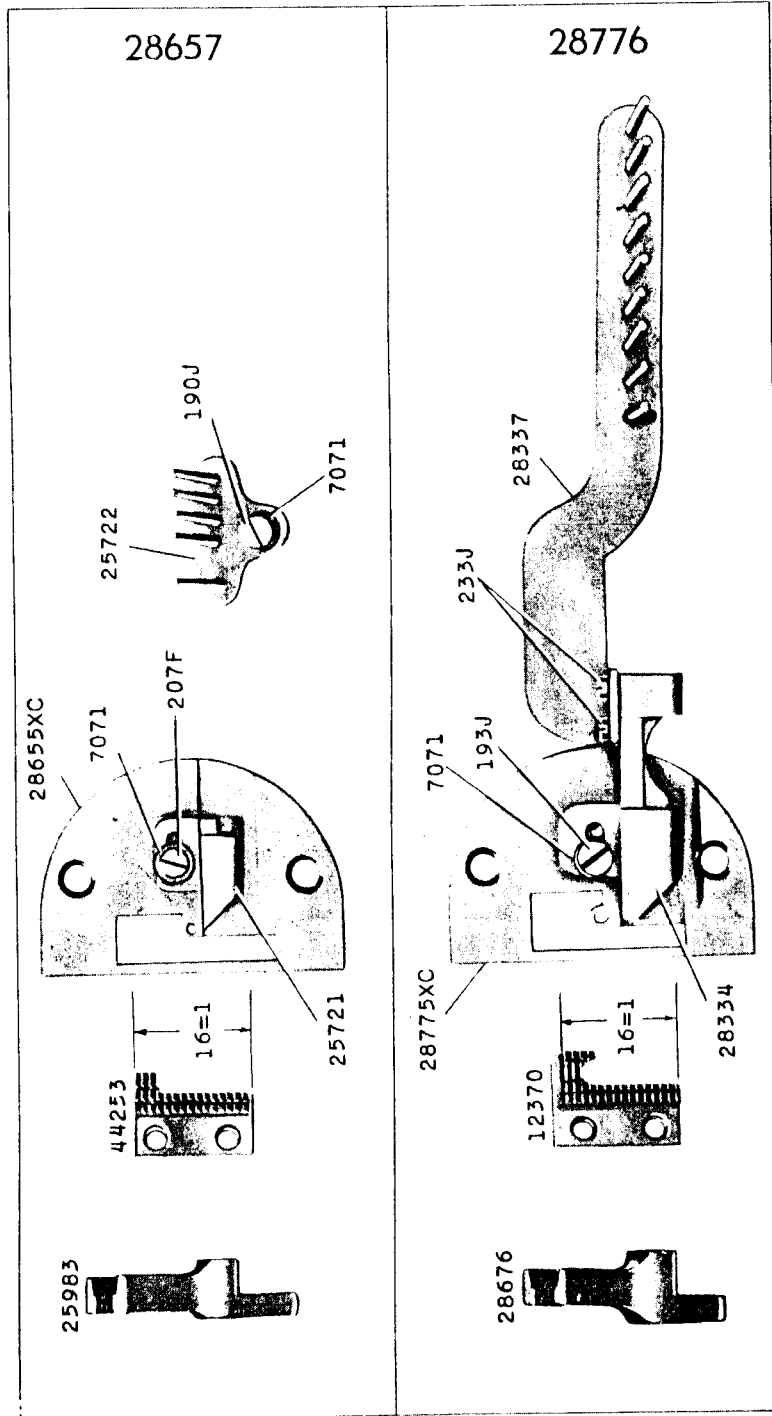
22914 - 2/3

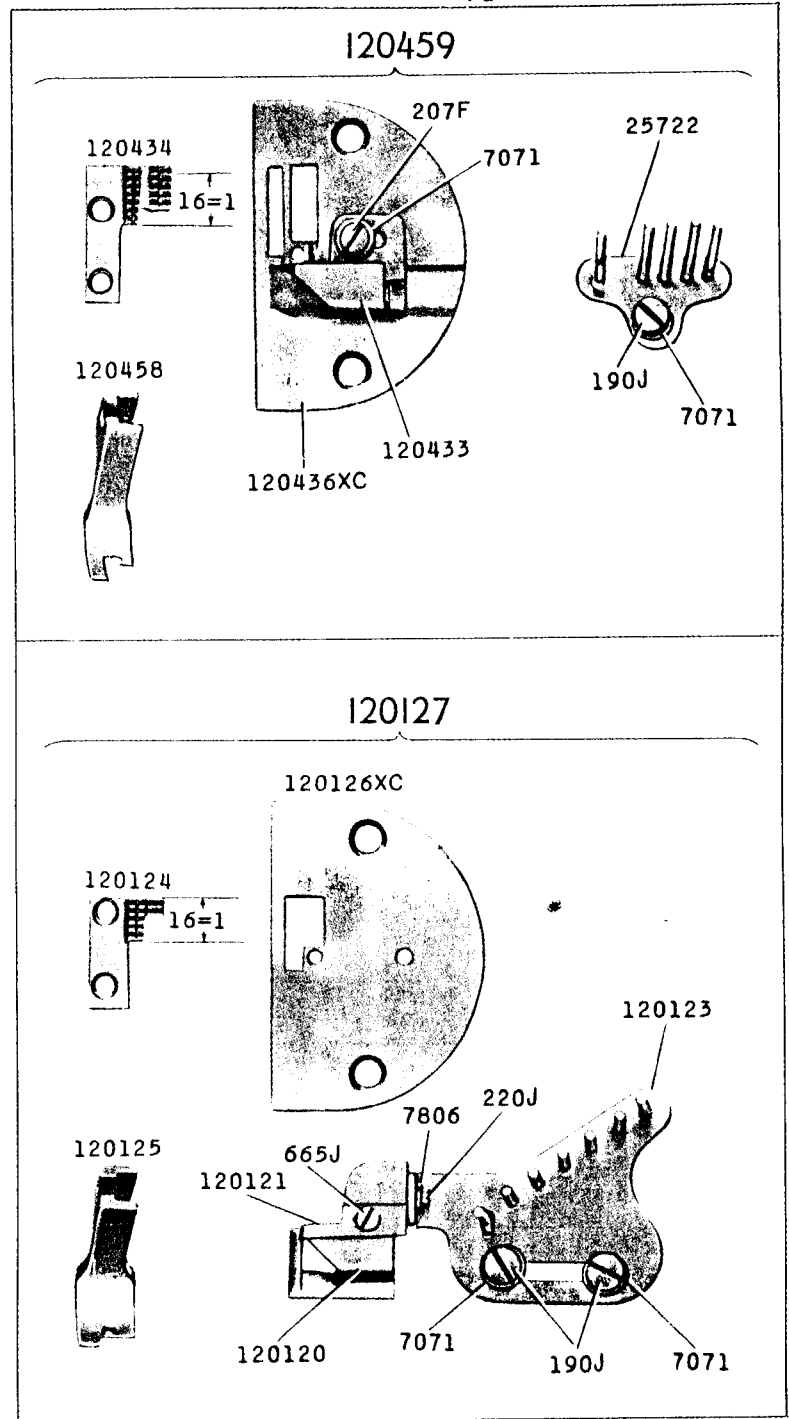
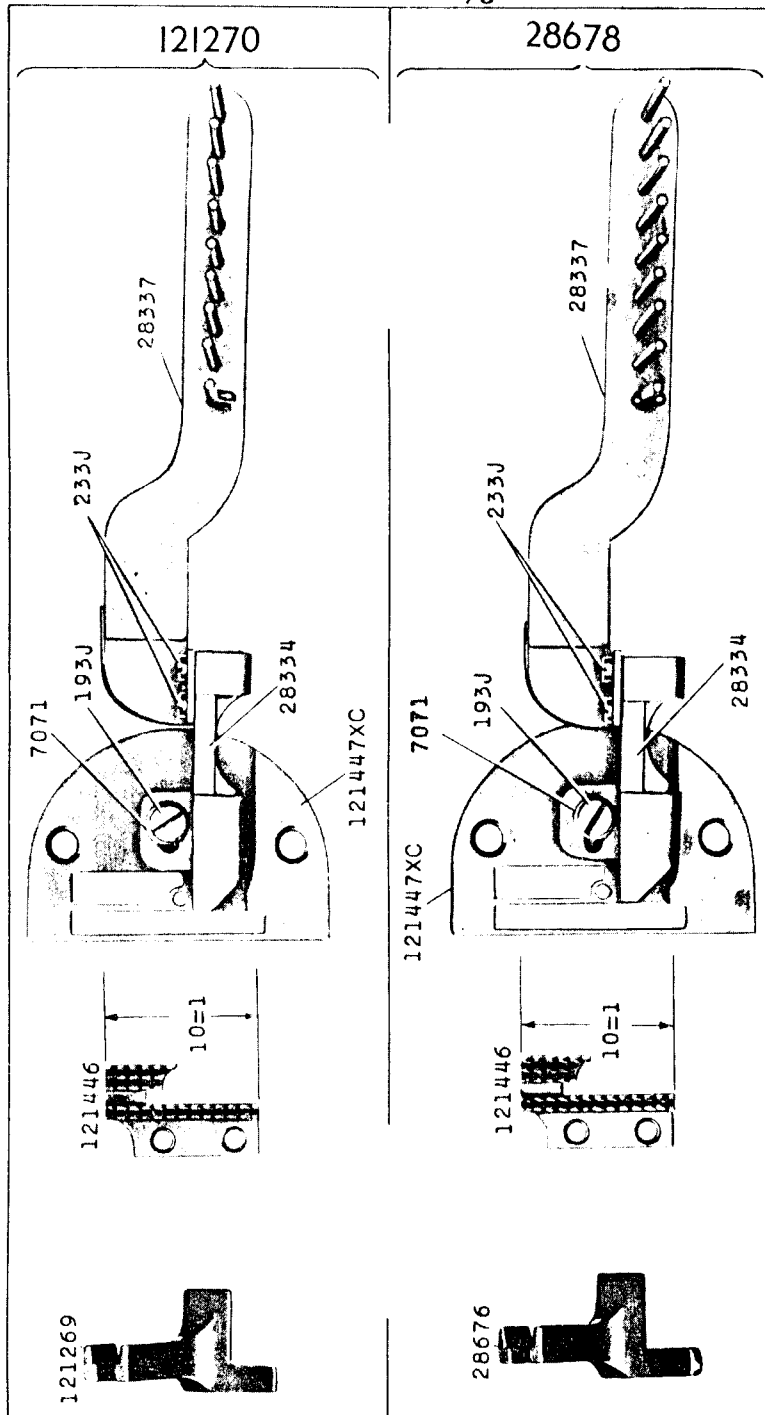
26250



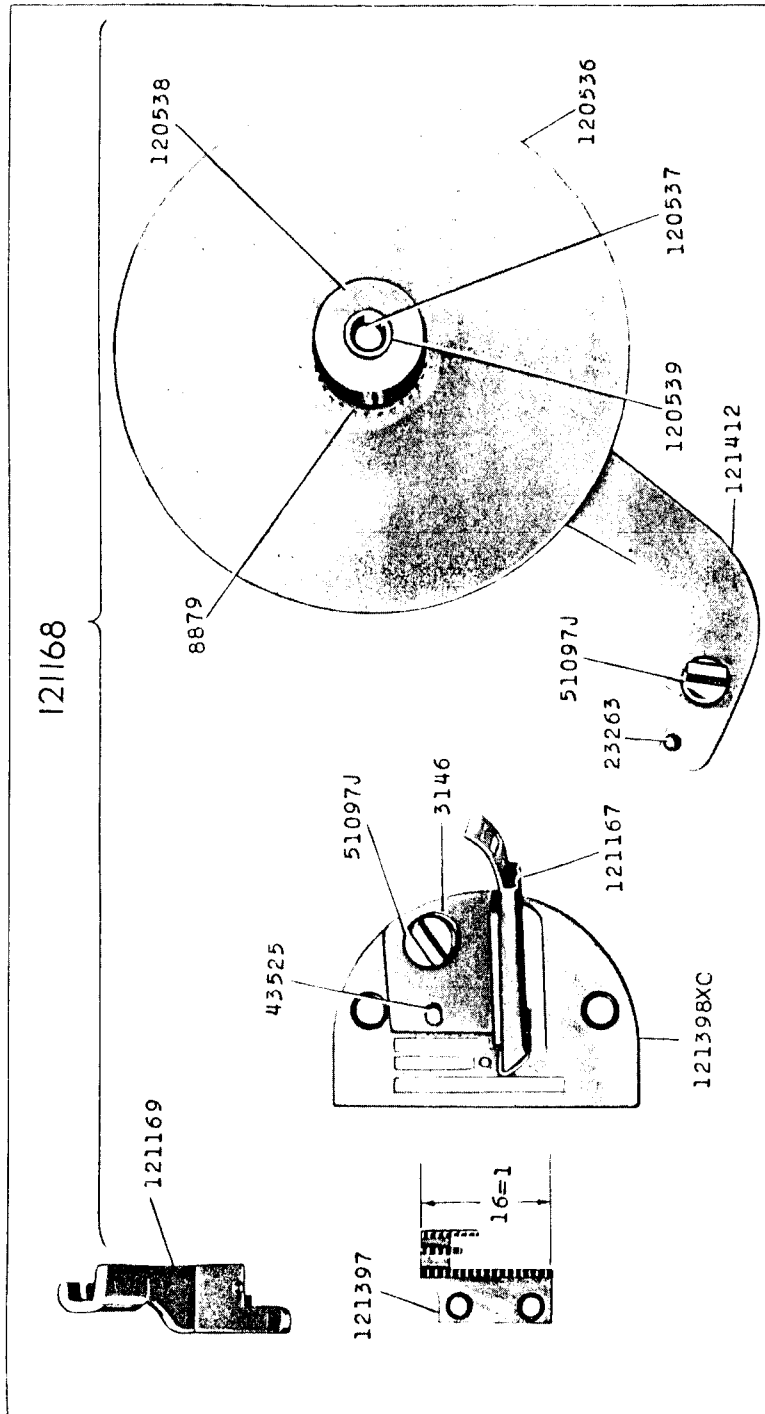
26466





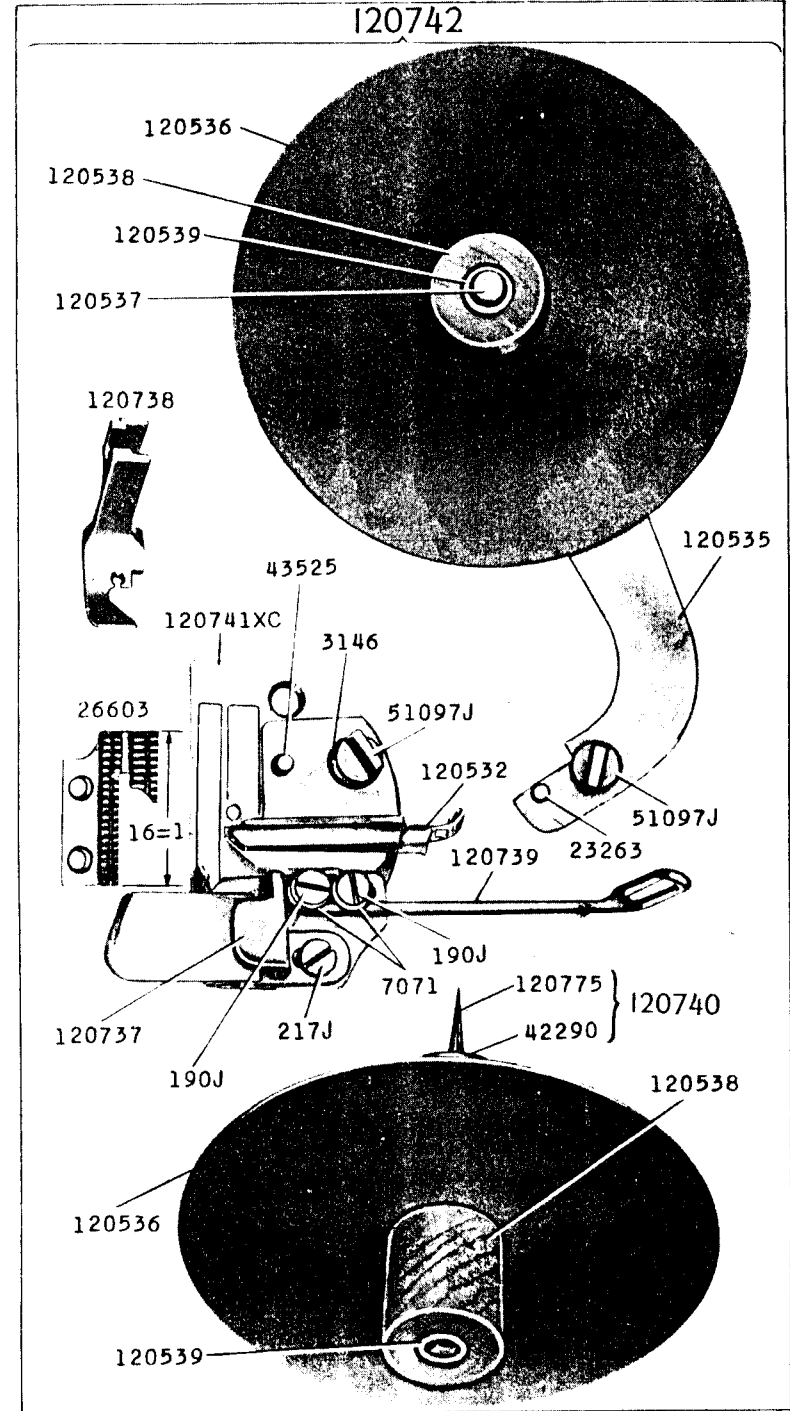


22919 - 2/3

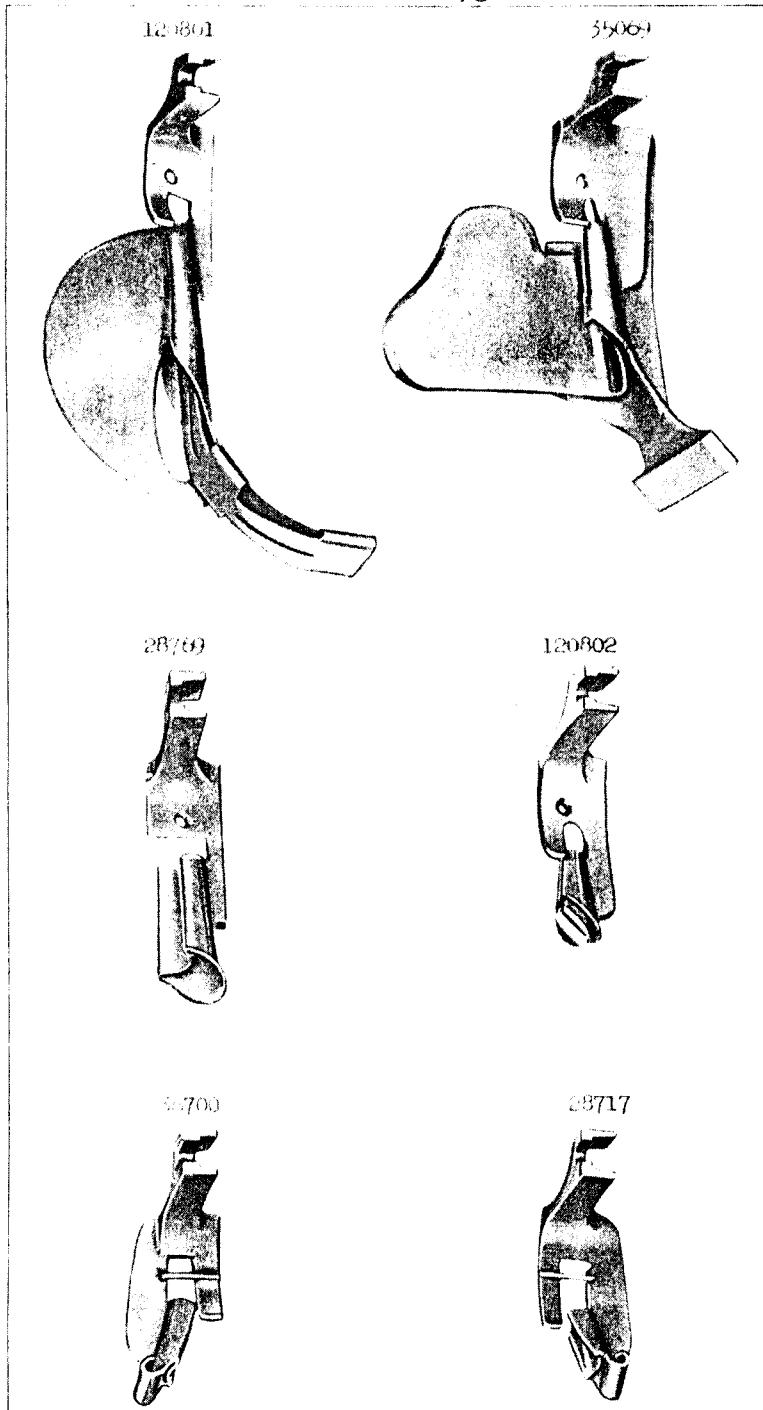


22920 - 2/3

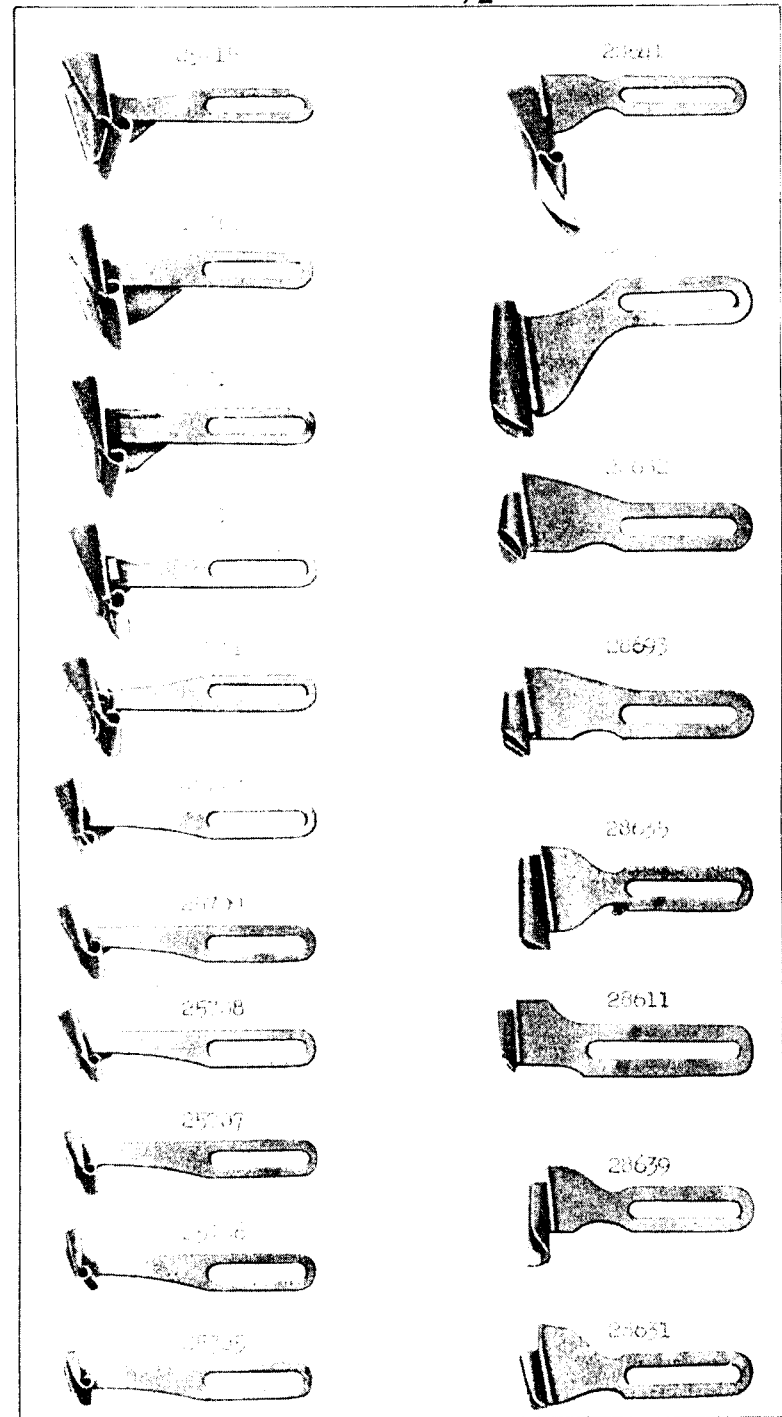
120742

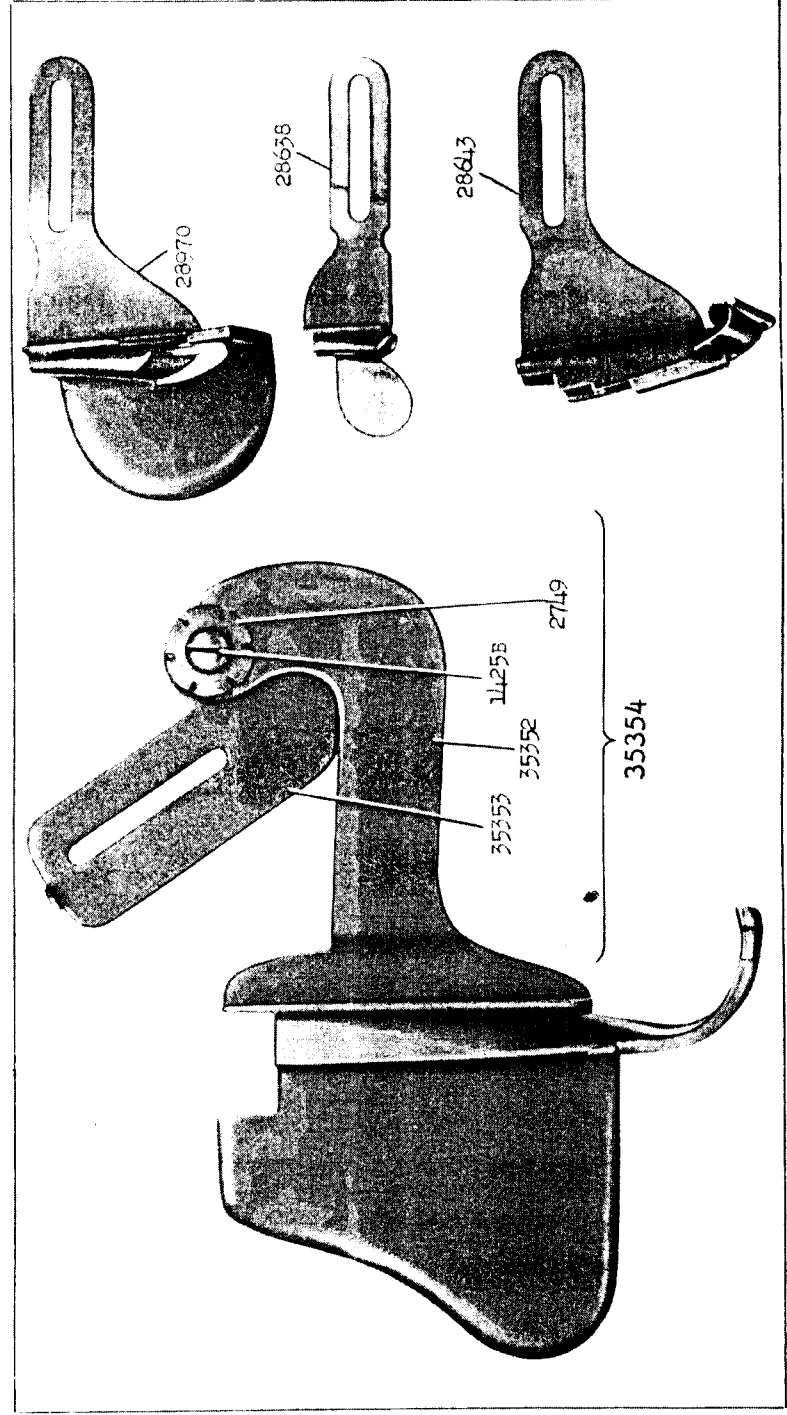
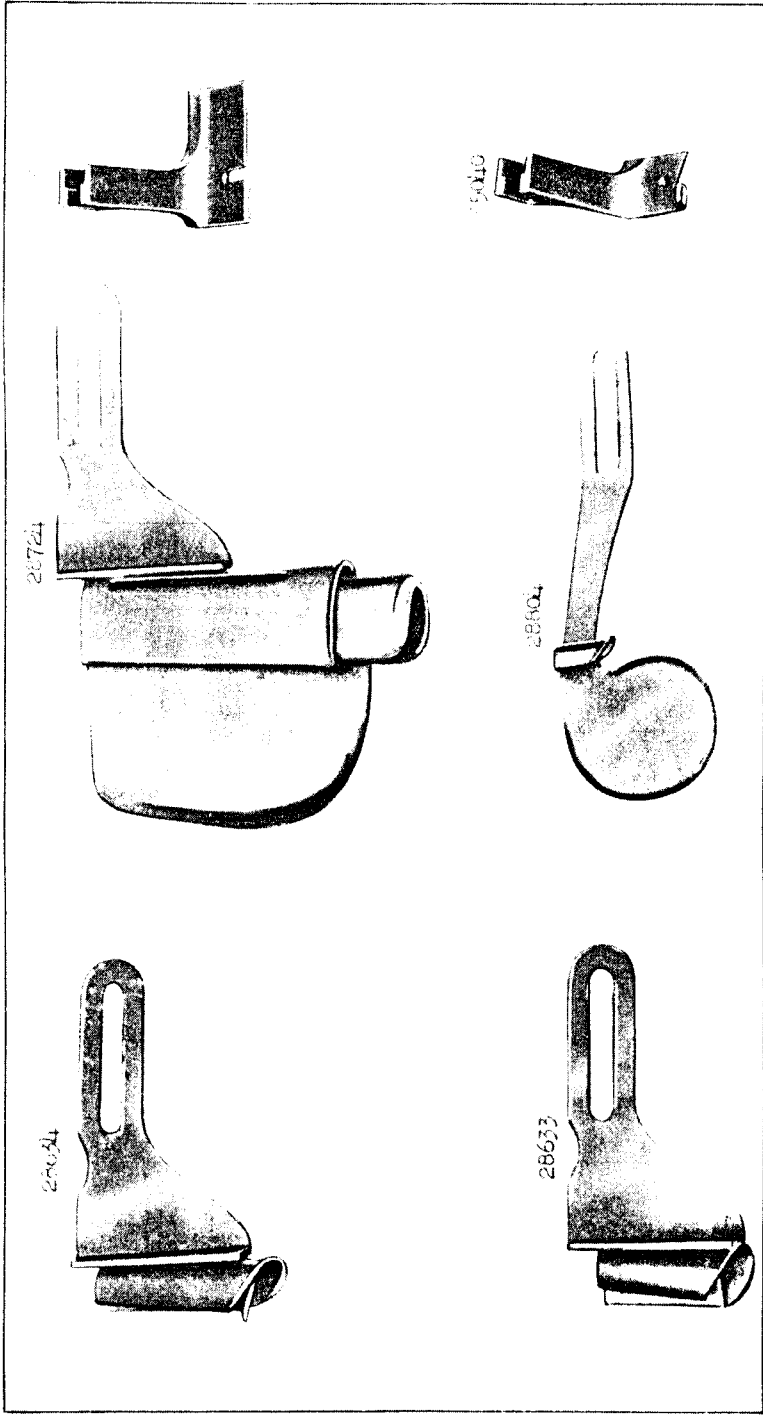


22921 - 2/3

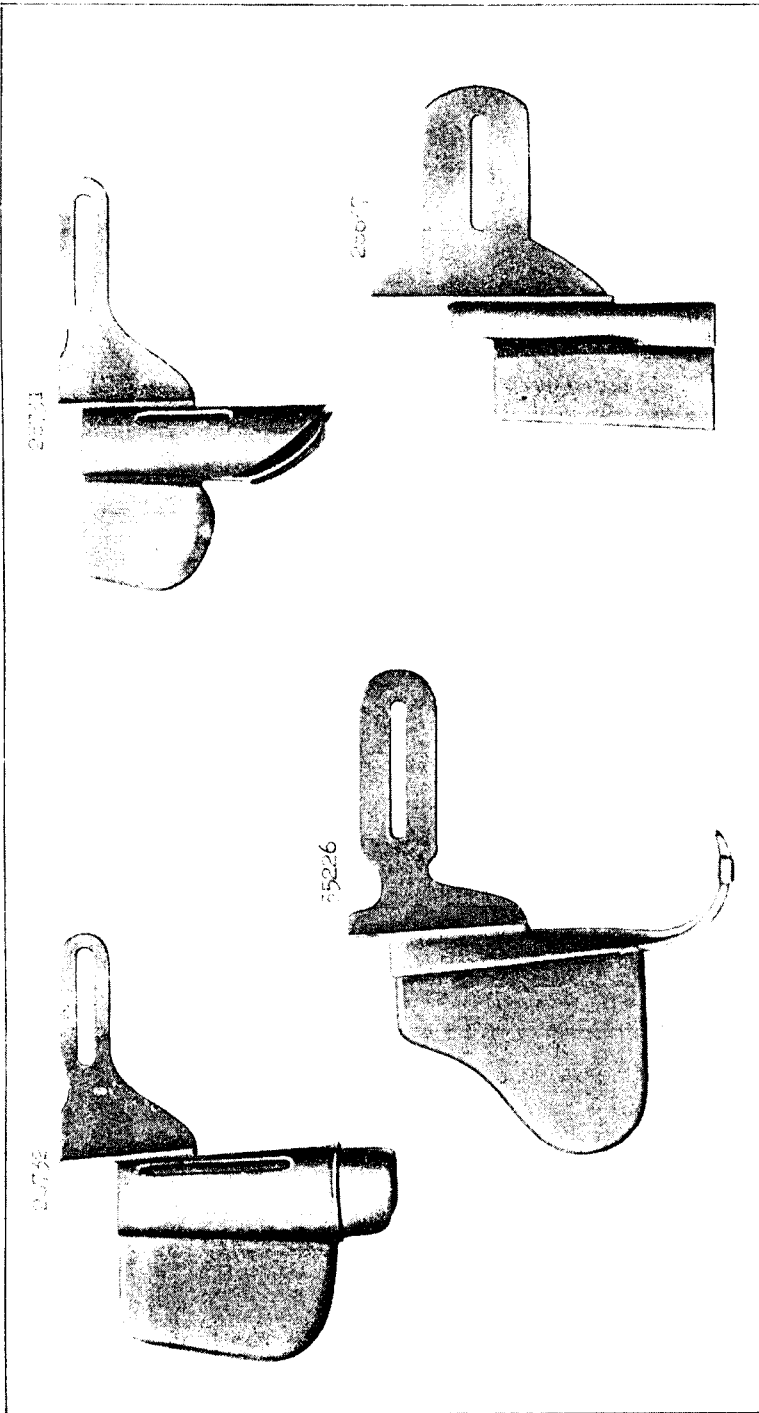


22922 - 1/2

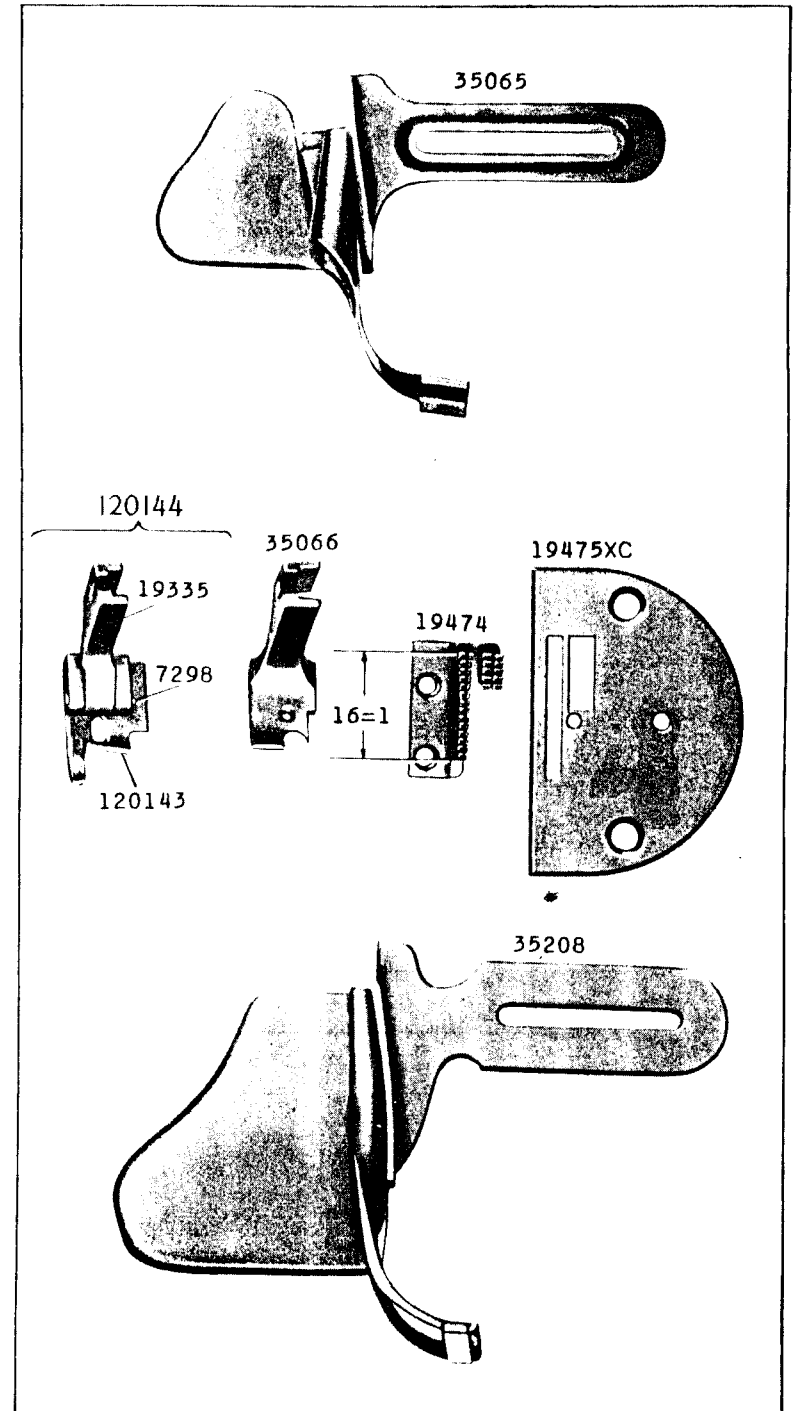




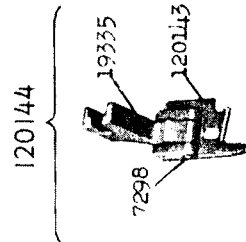
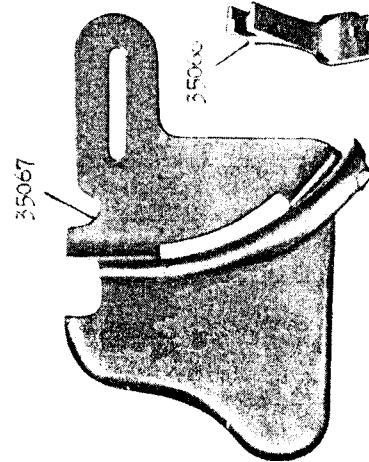
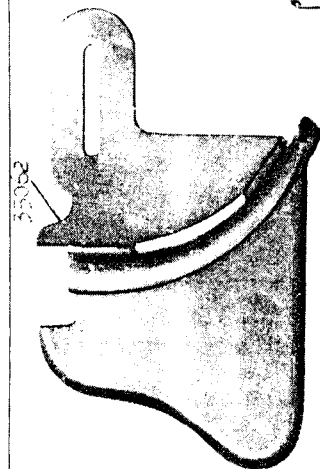
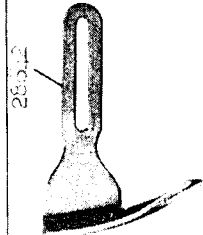
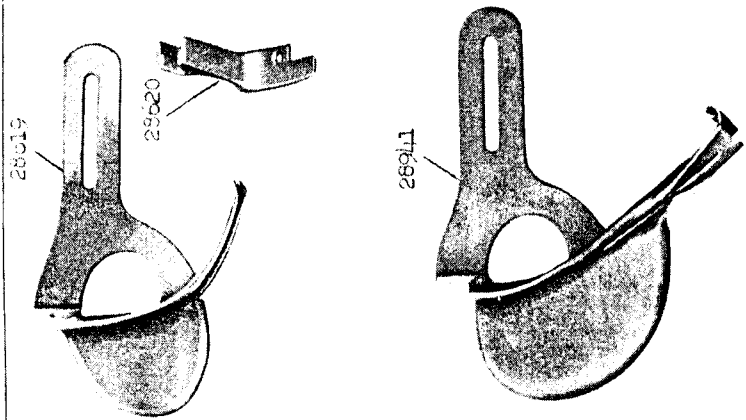
22925 - 2/3



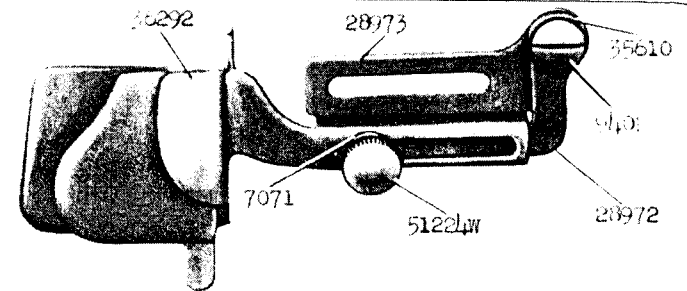
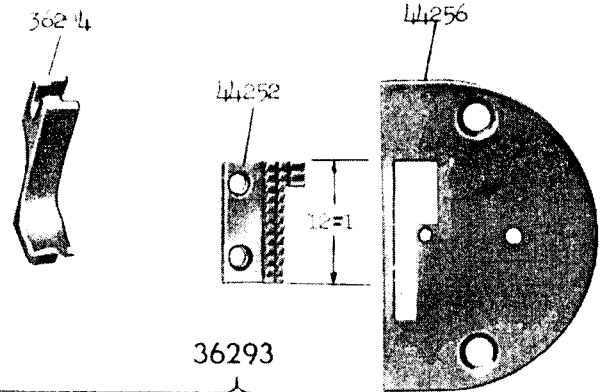
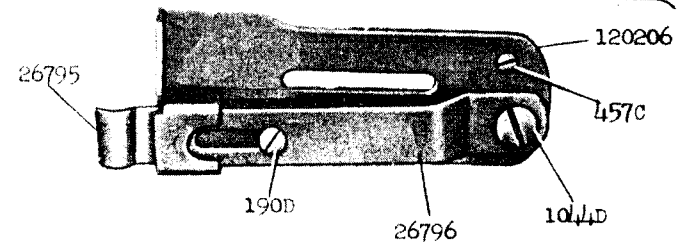
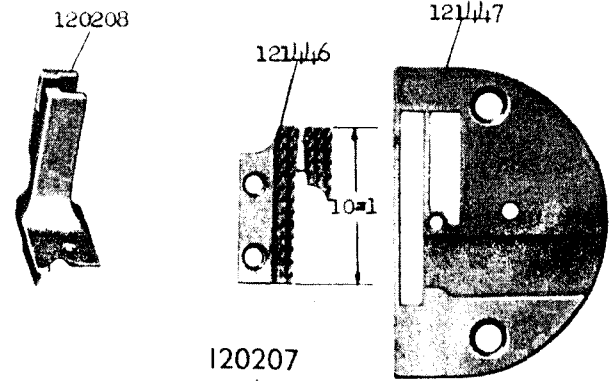
22926 - 2/3



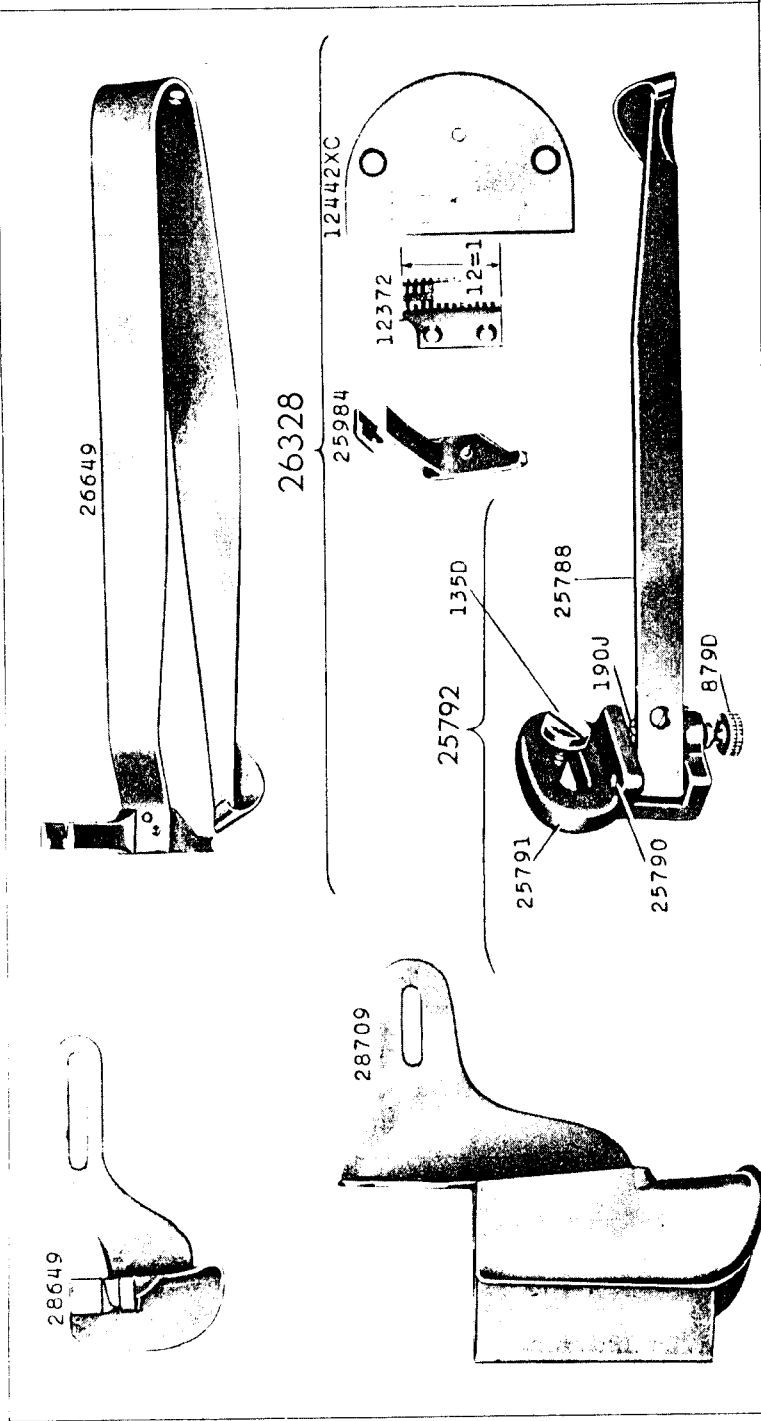
22927 - 2/3



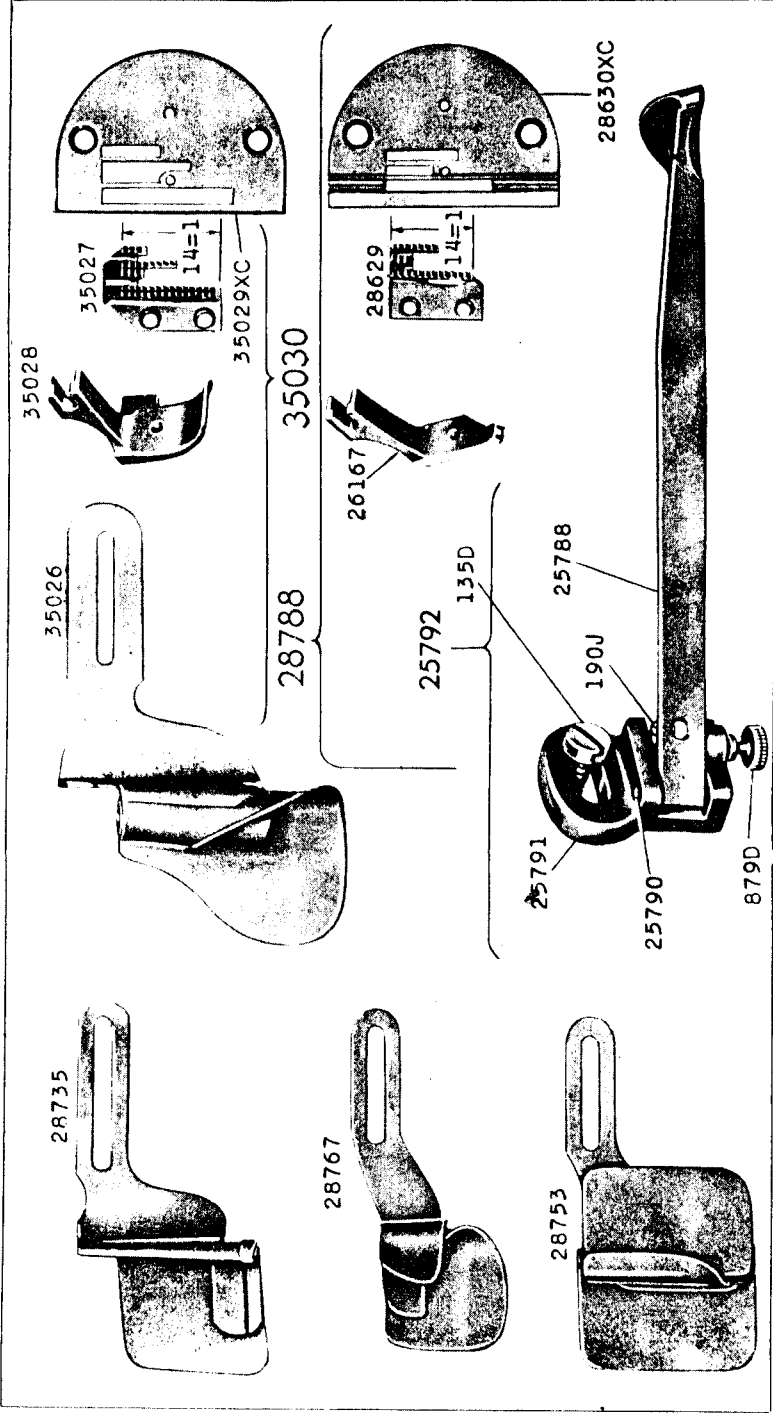
22928 - 2/3

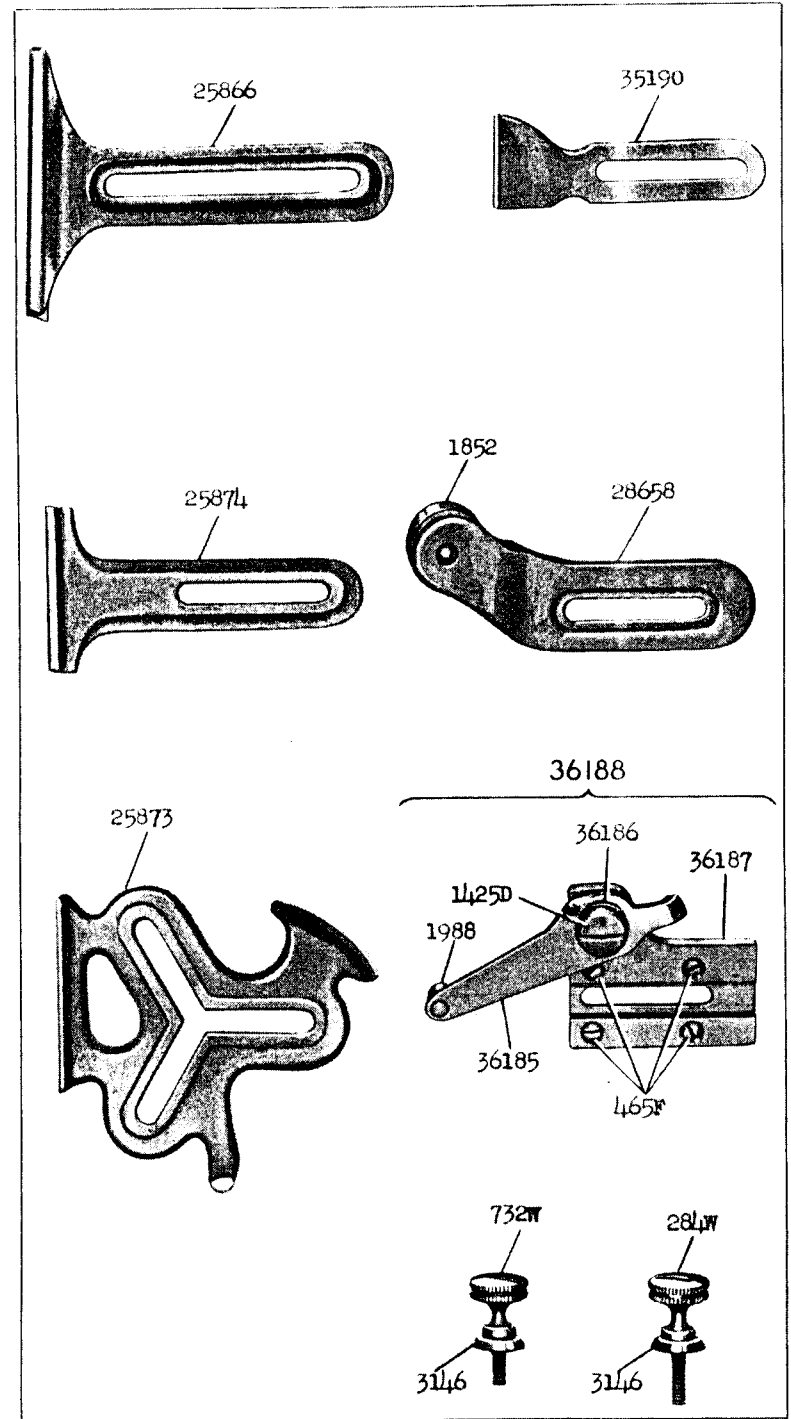
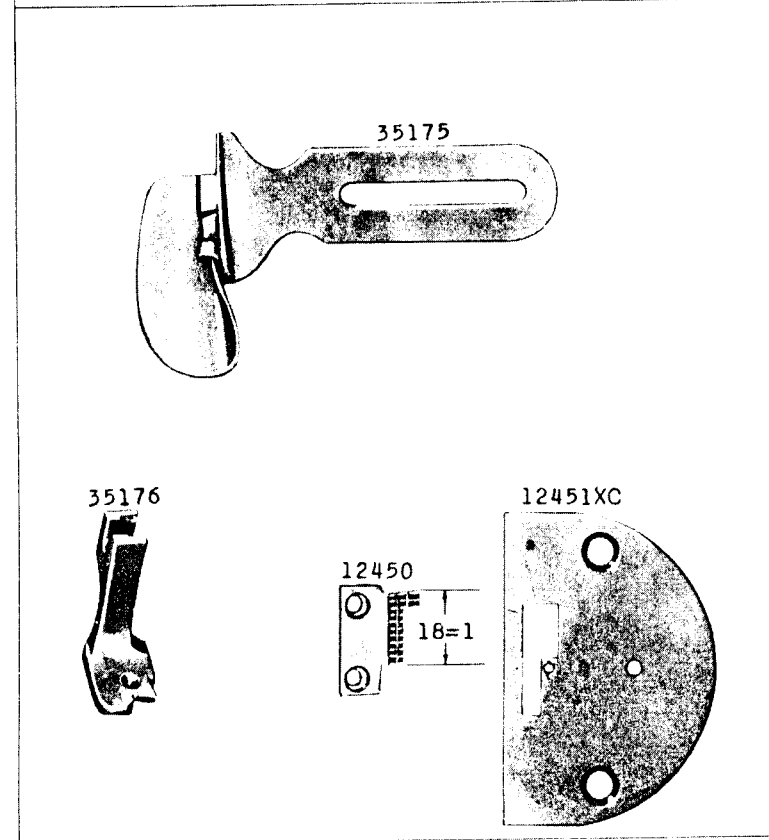
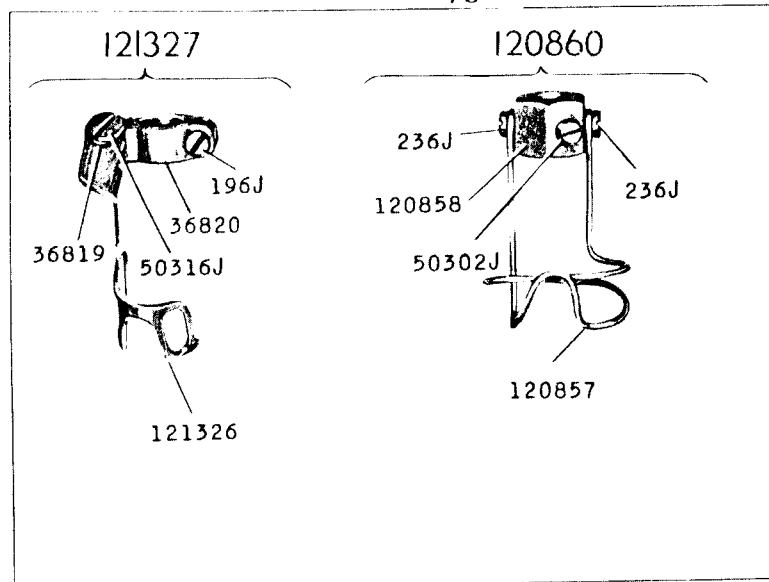


22929 - 1/2

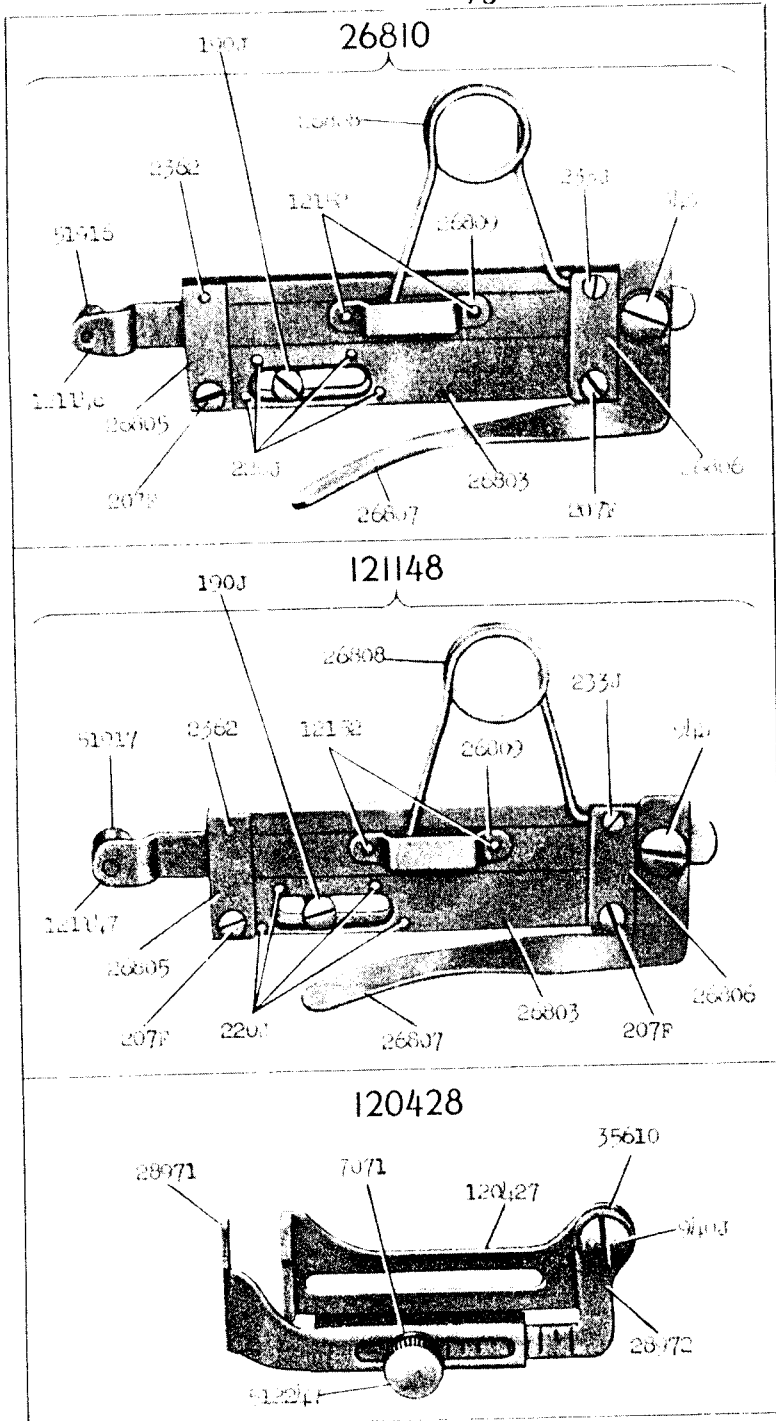


22930 - 1/2

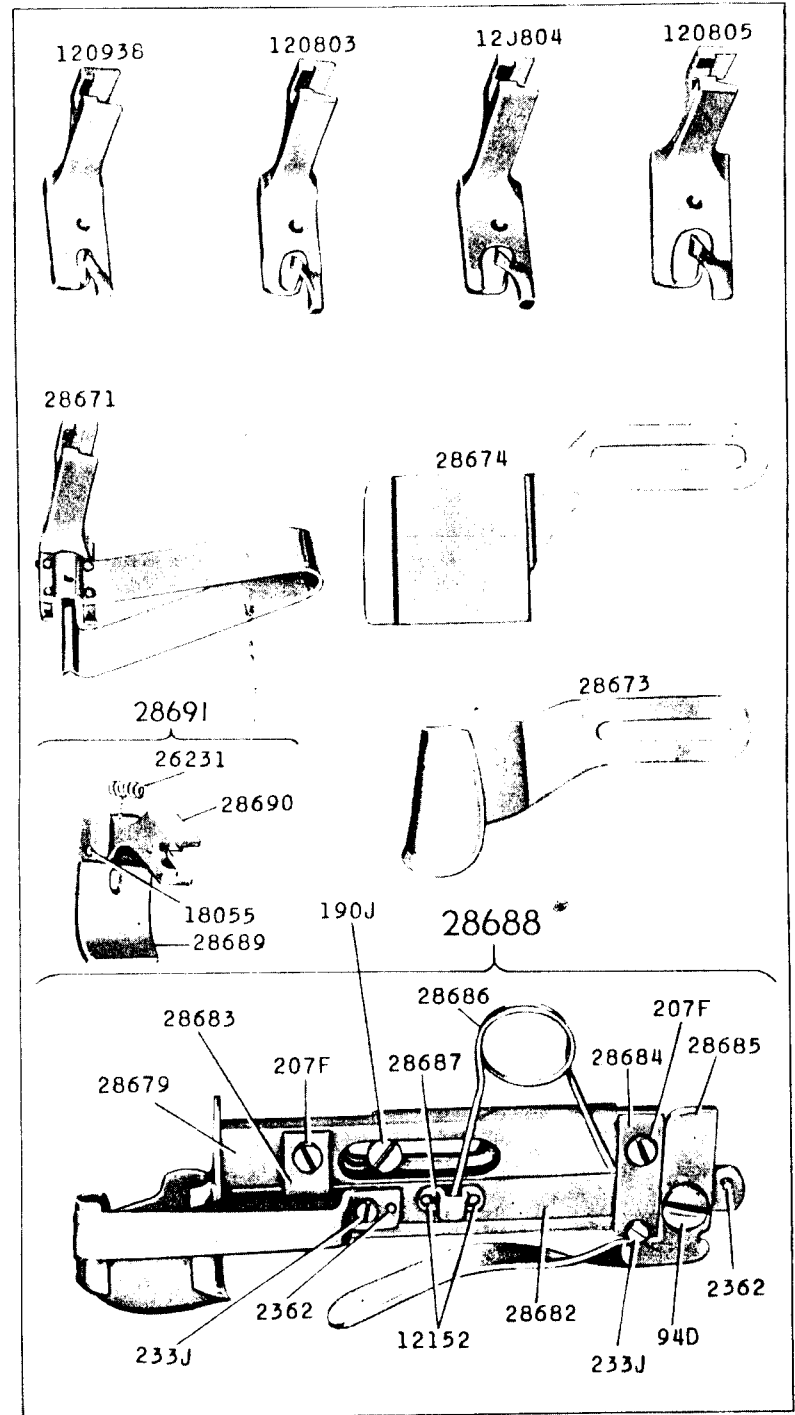




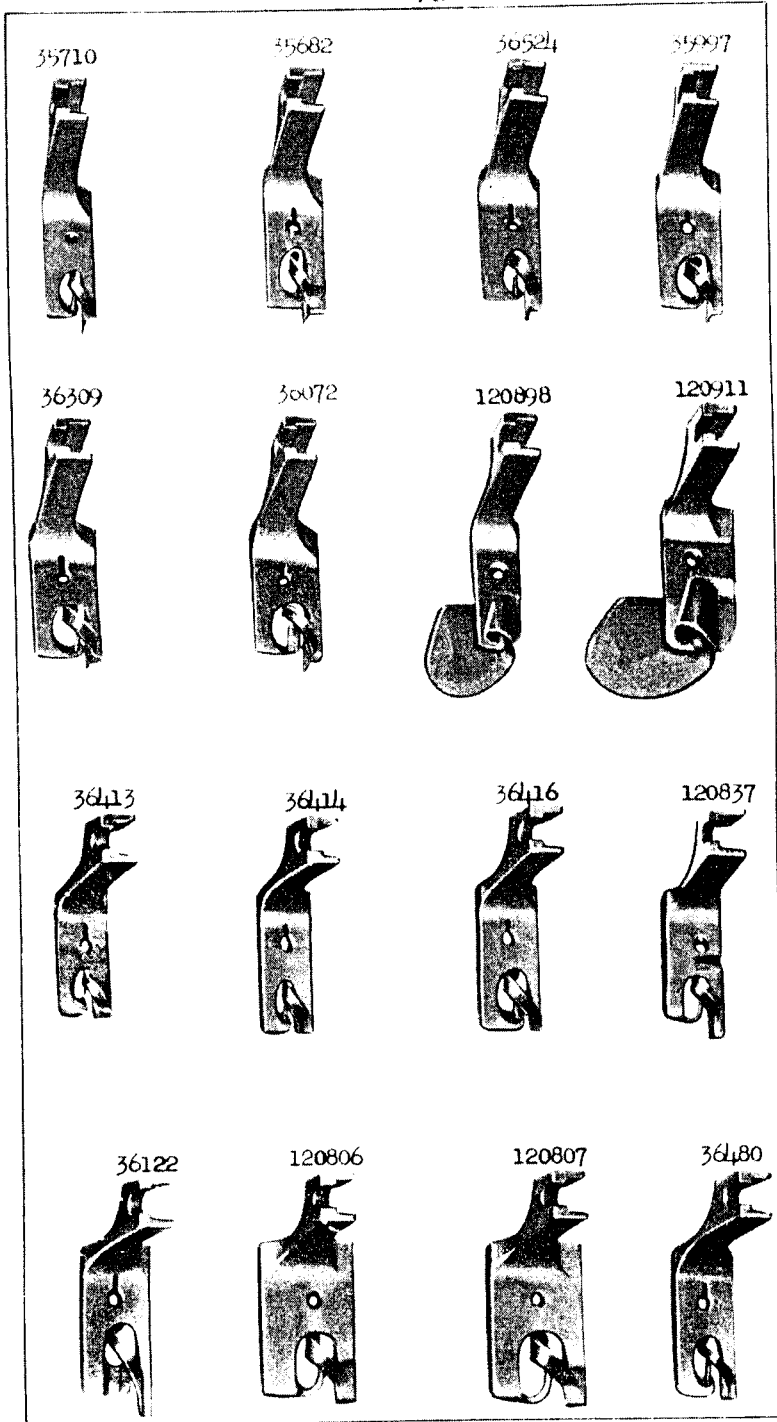
22933 - 2/3



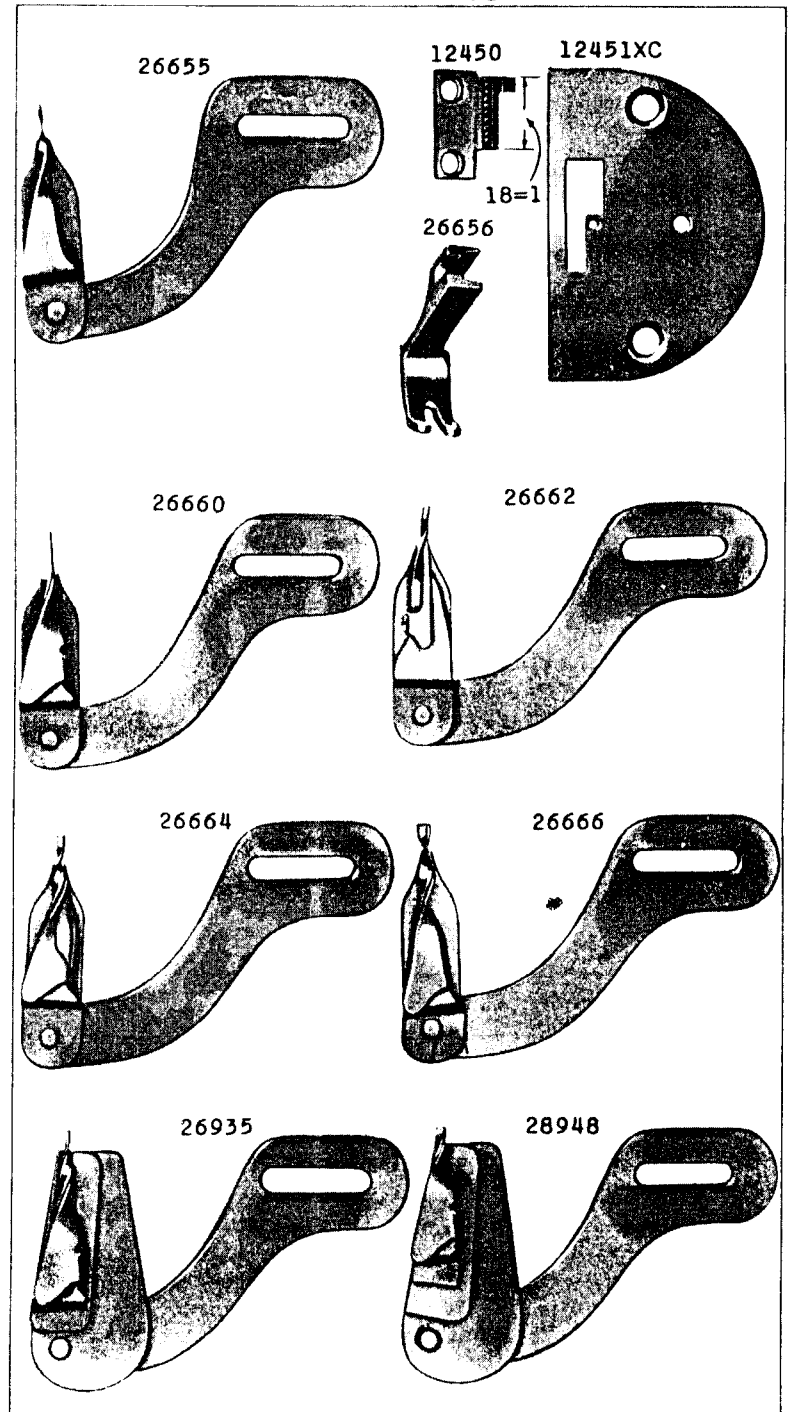
22934 - 2/3



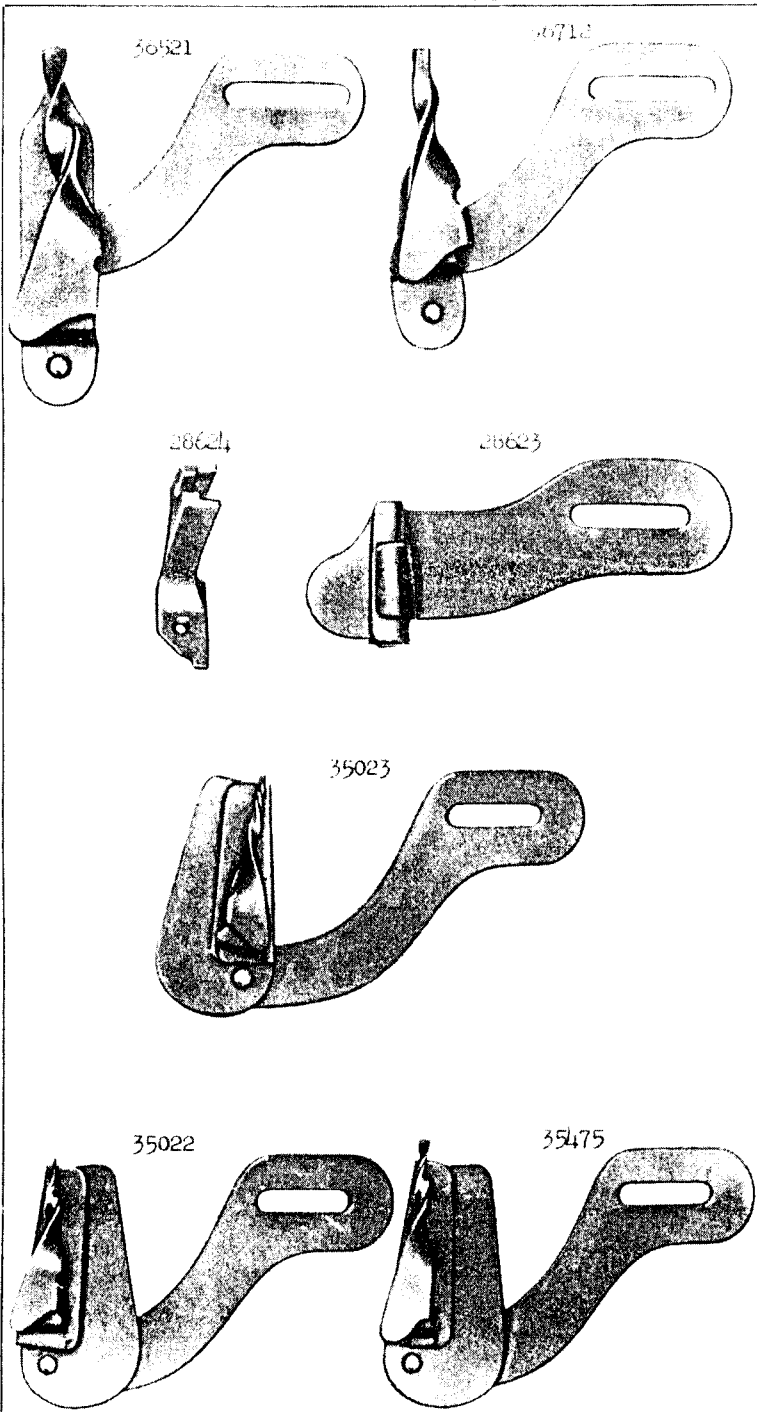
22935 - 2/3



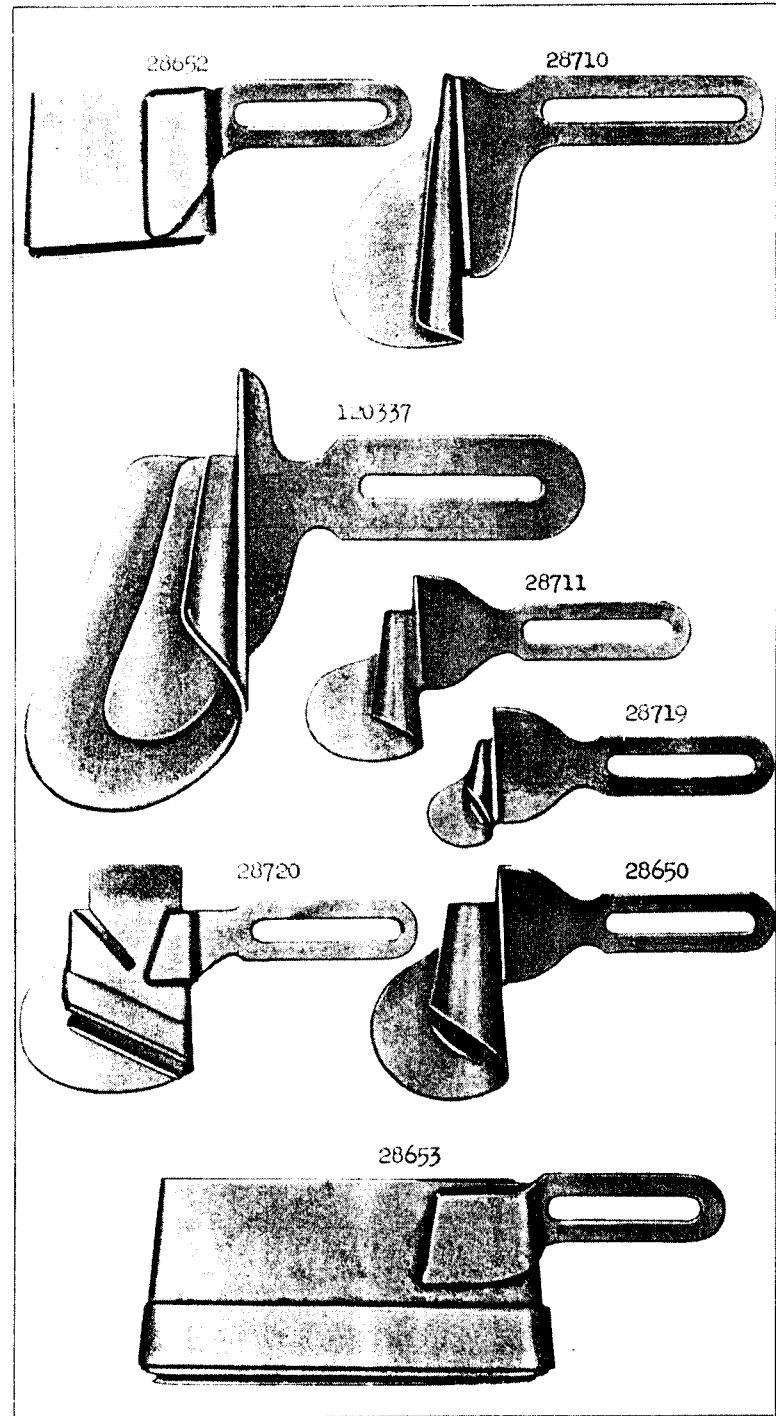
22936 - 2/3



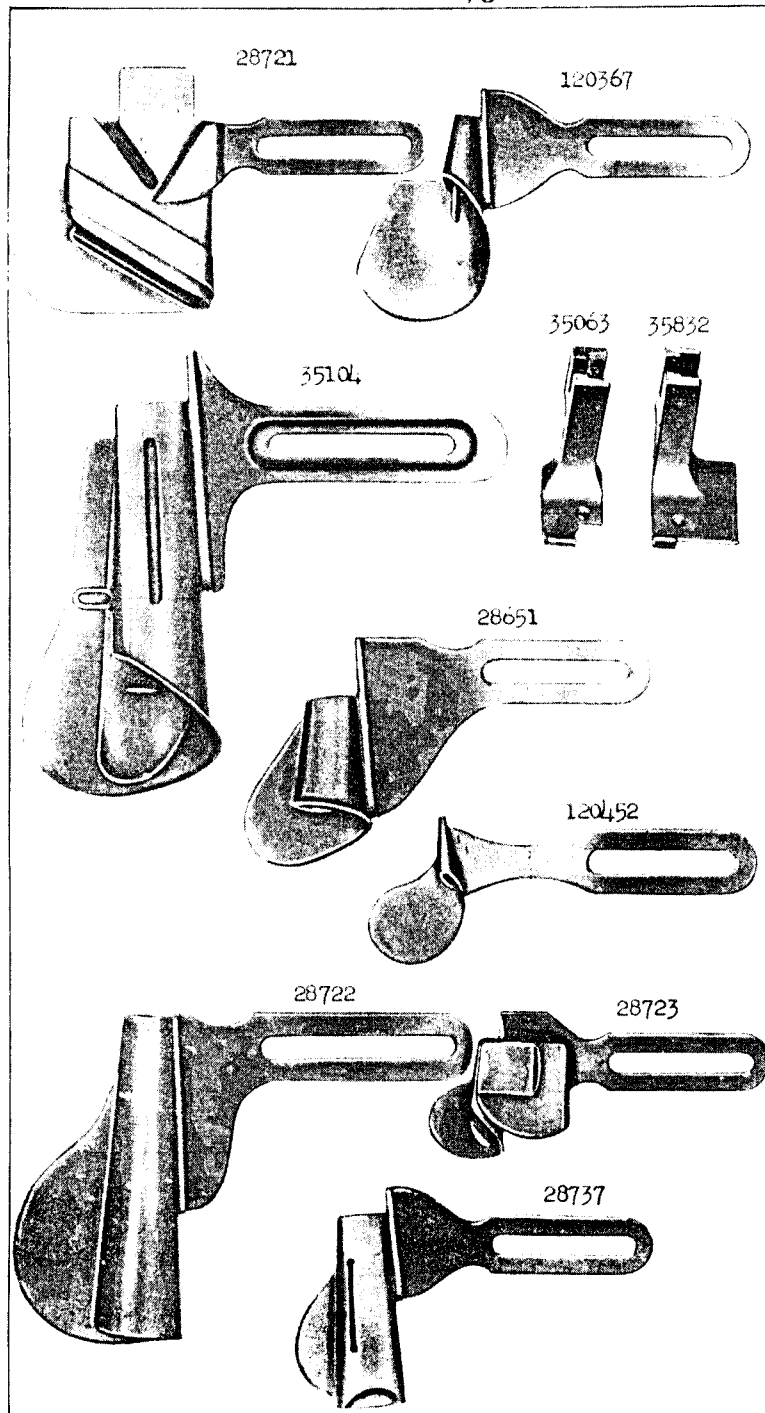
22937 - 2/3



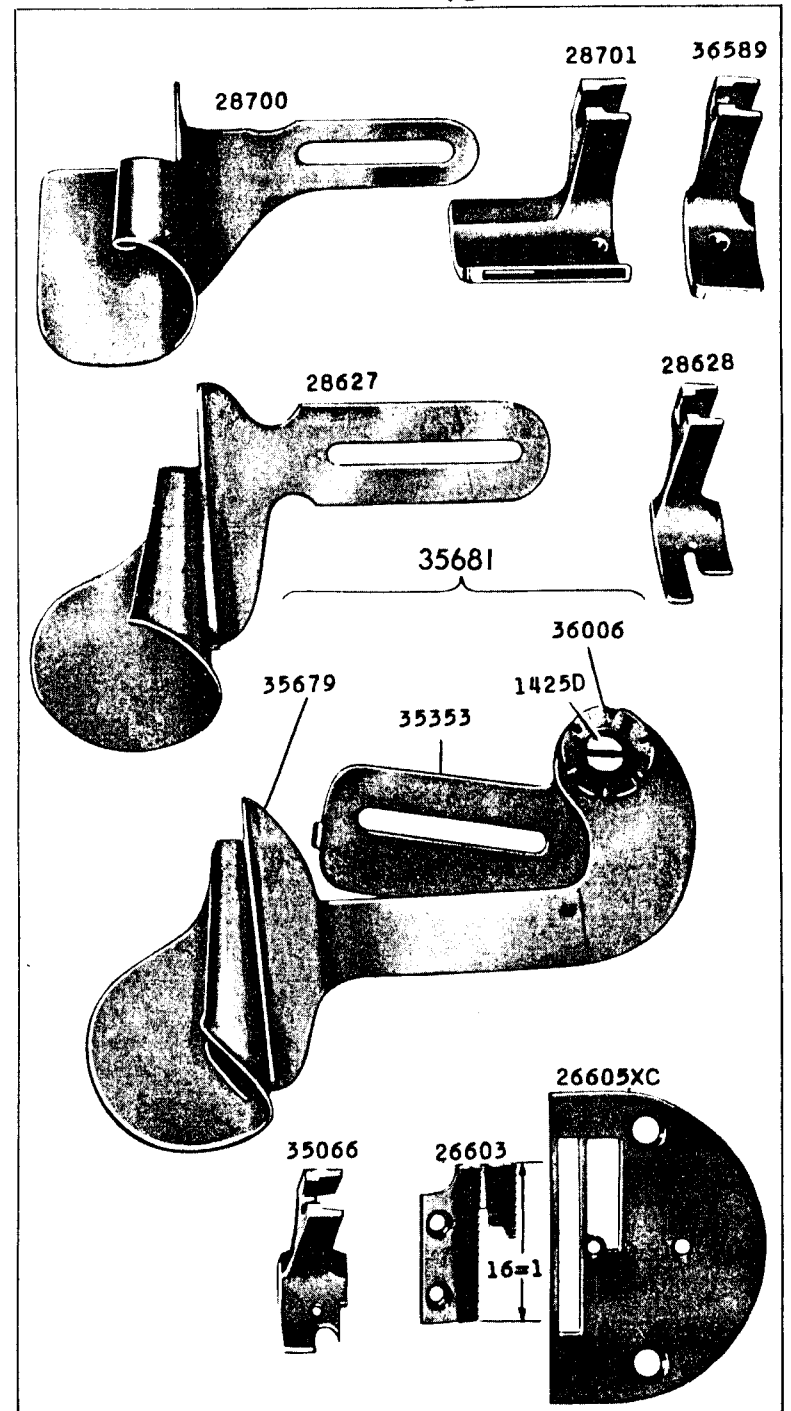
22938 - 2/3



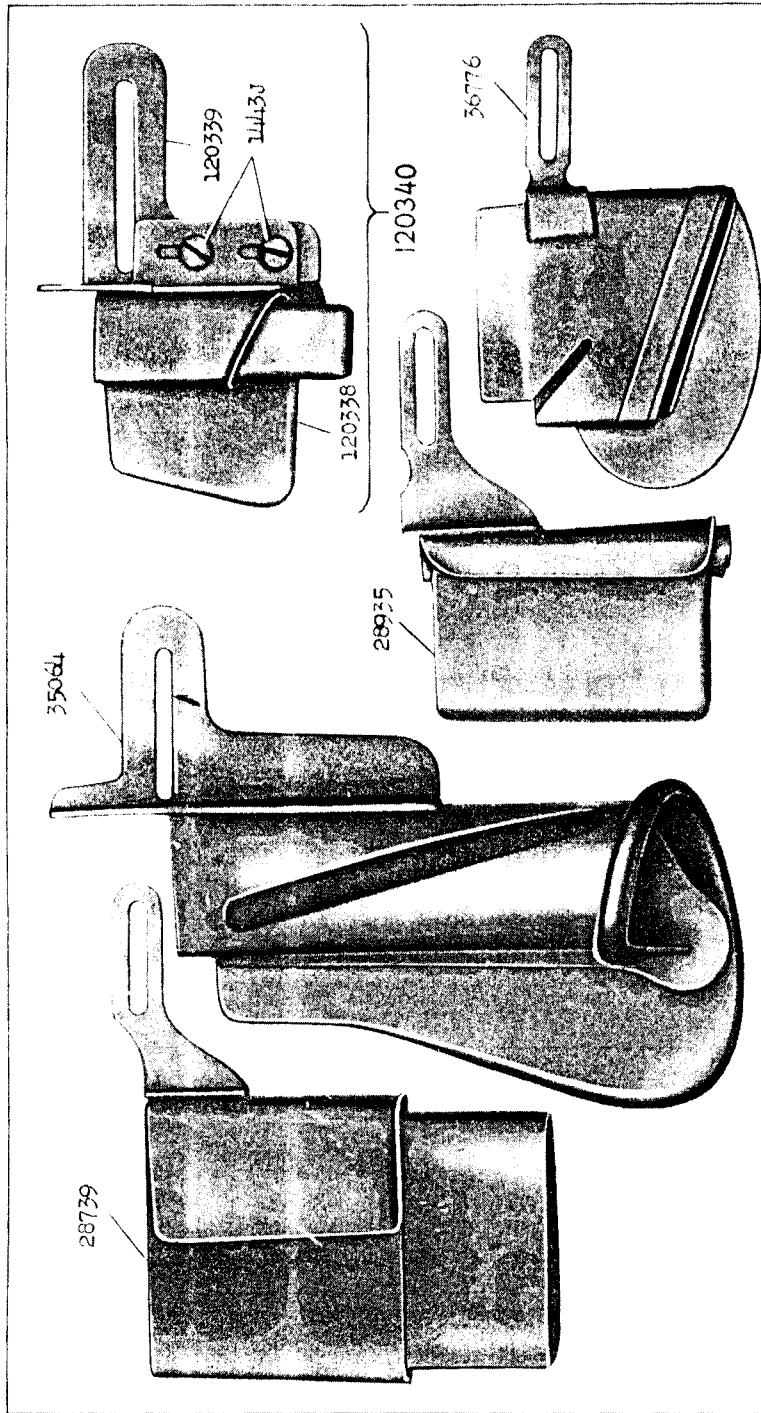
22939 - 2/3



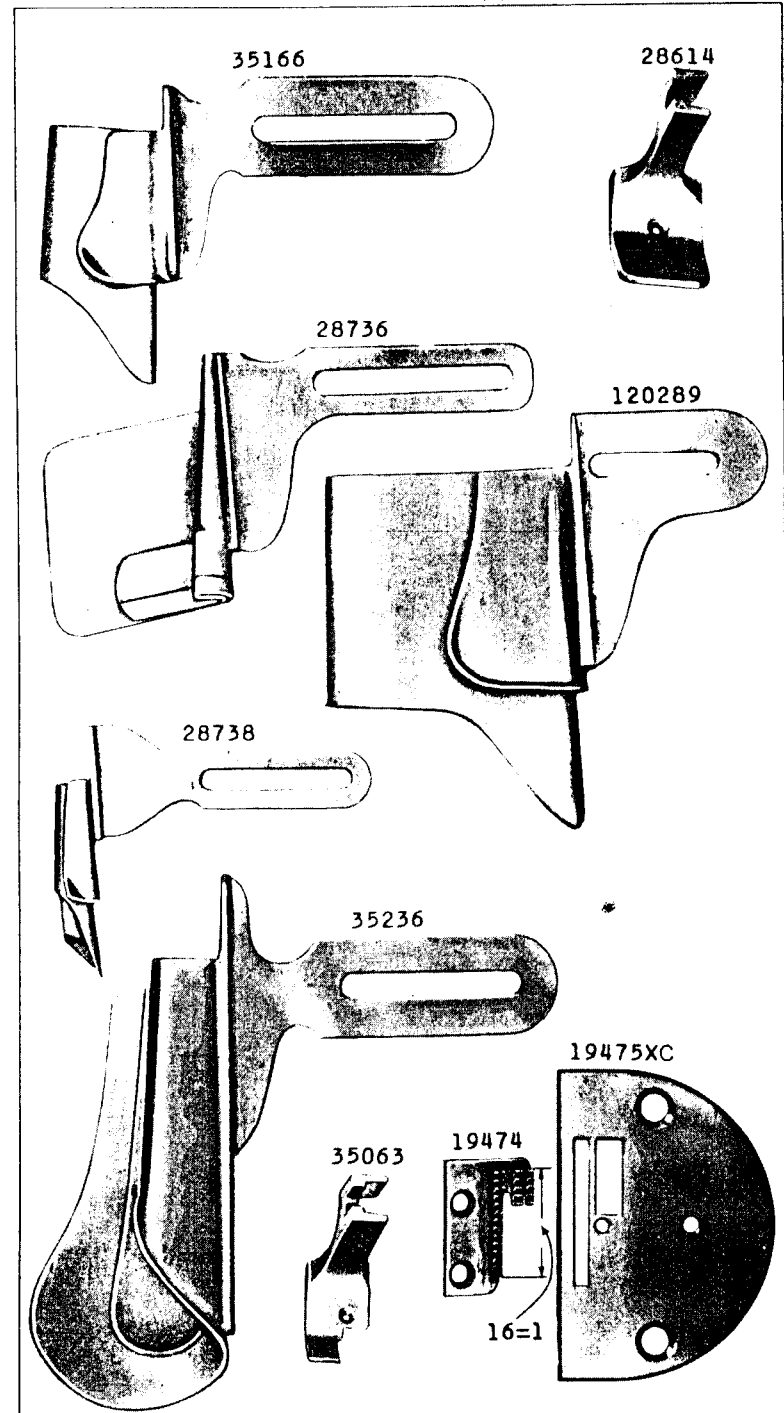
22940 - 2/3



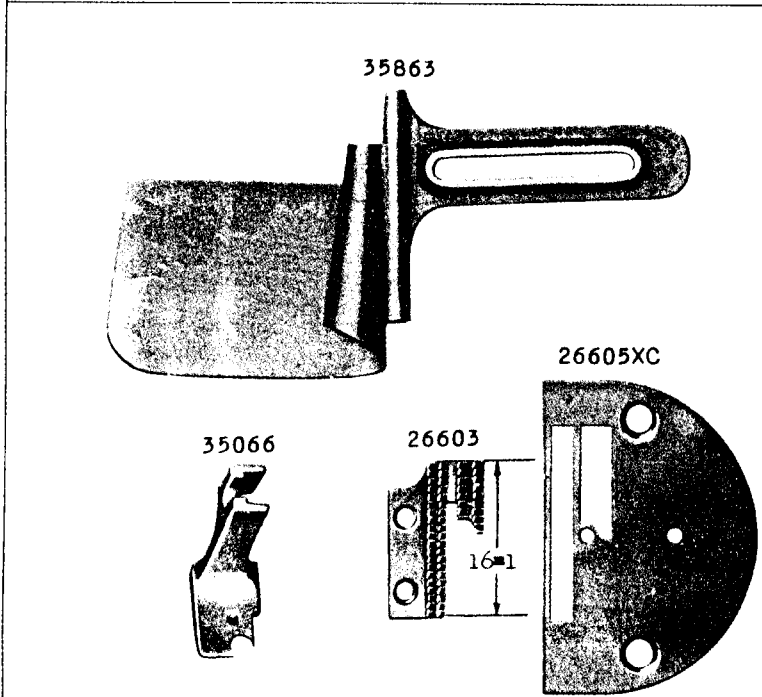
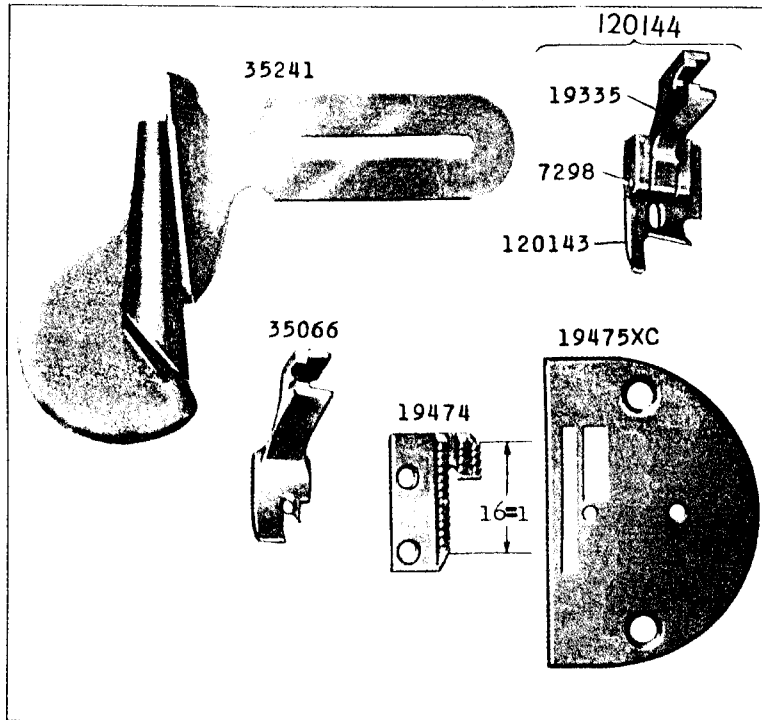
22941 - 1/2



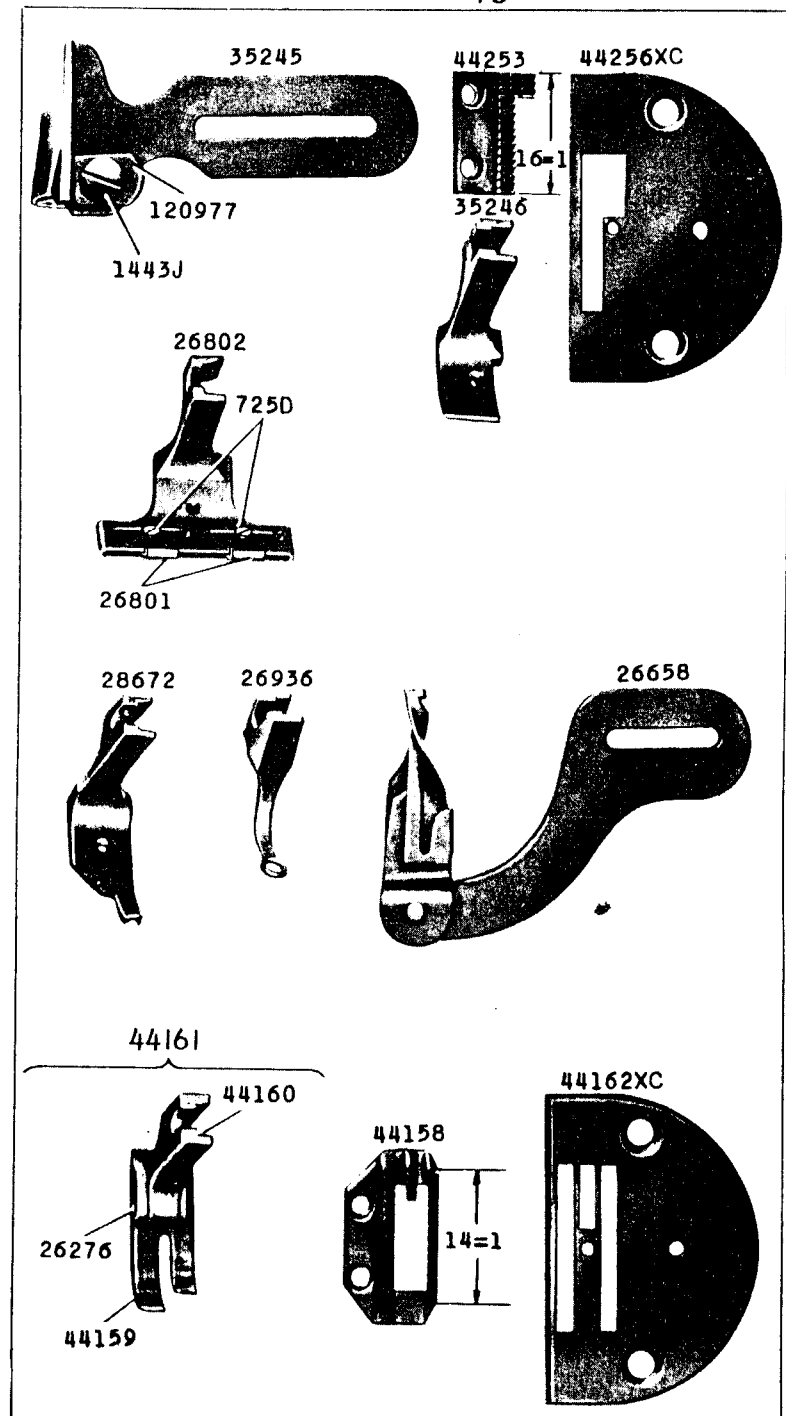
22942 - 2/3



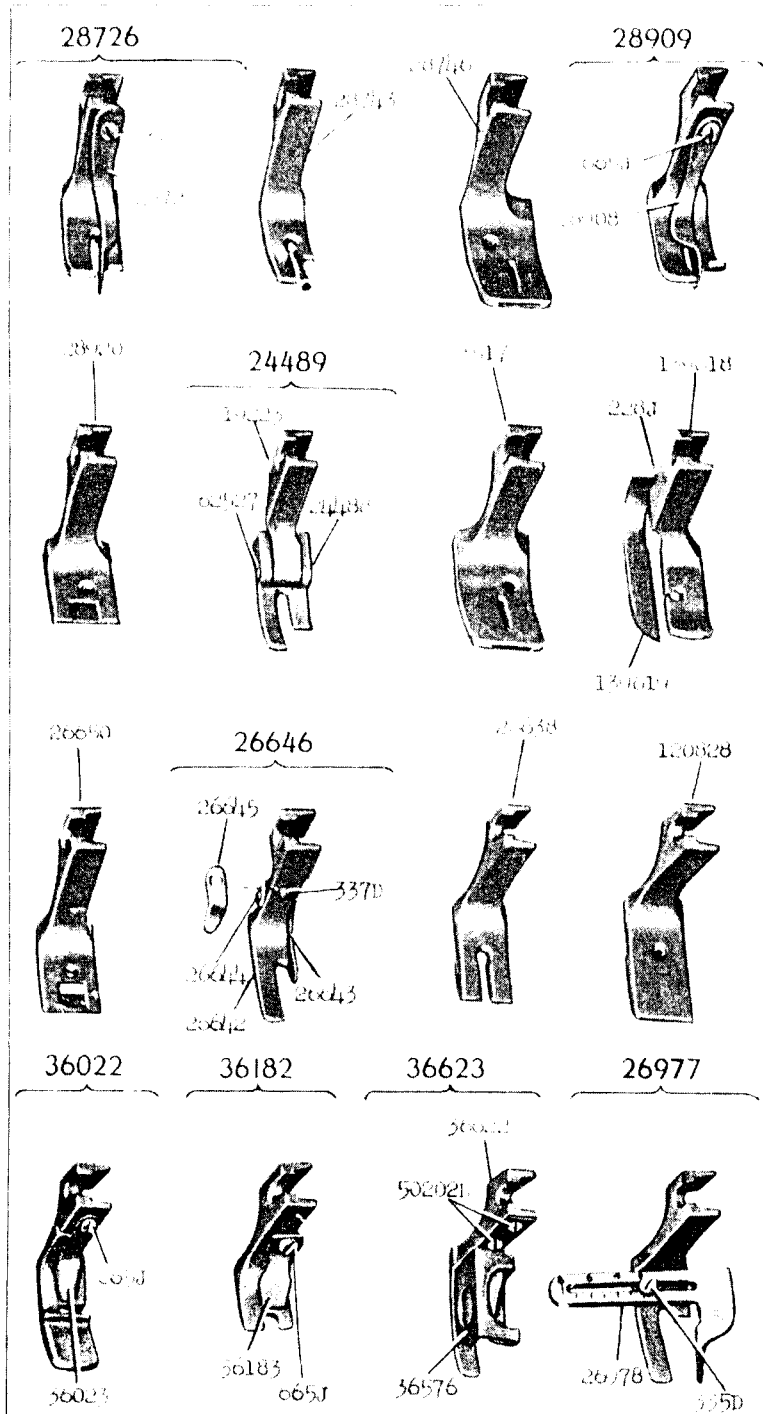
22943 - 2/3



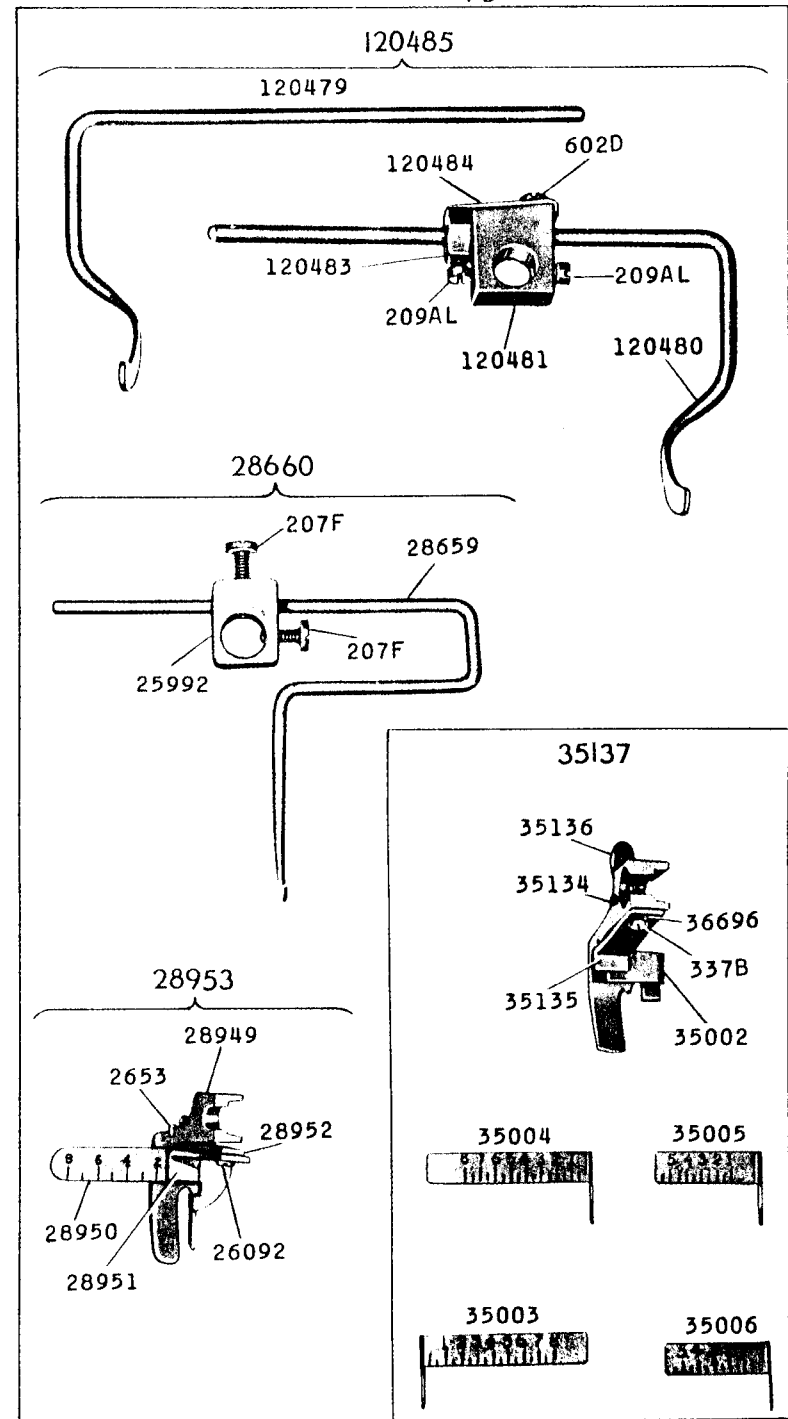
22944 - 2/3



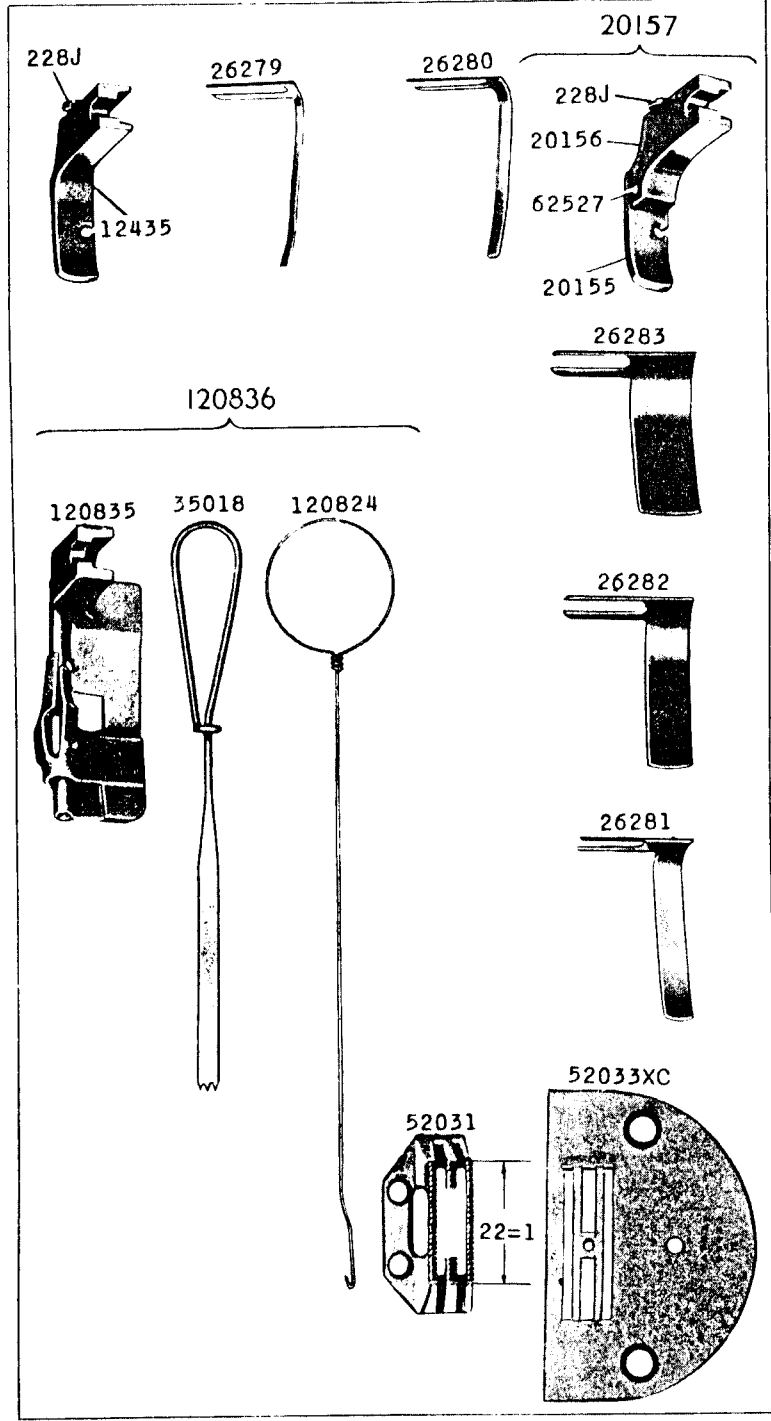
22945 - 2/3



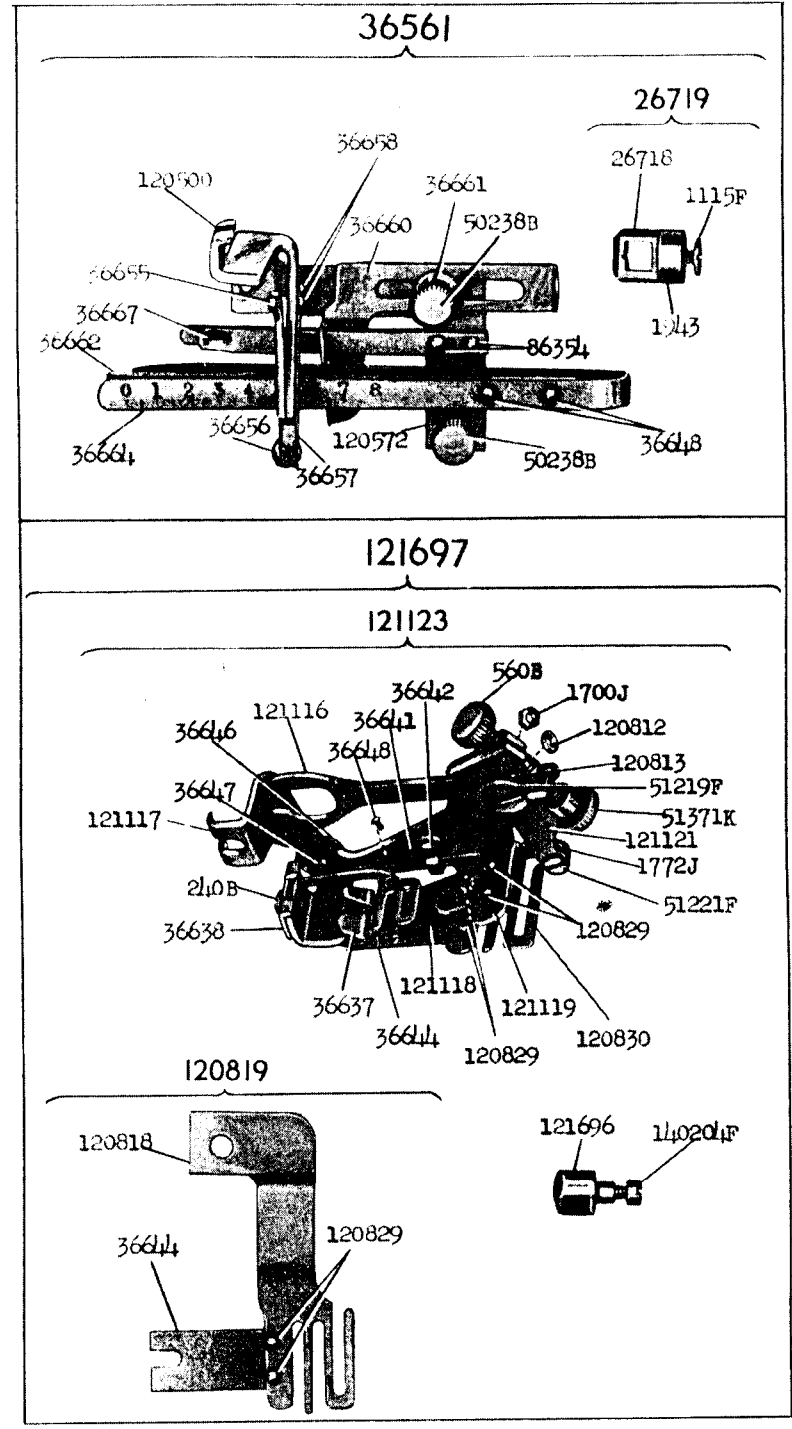
22946 - 2/3

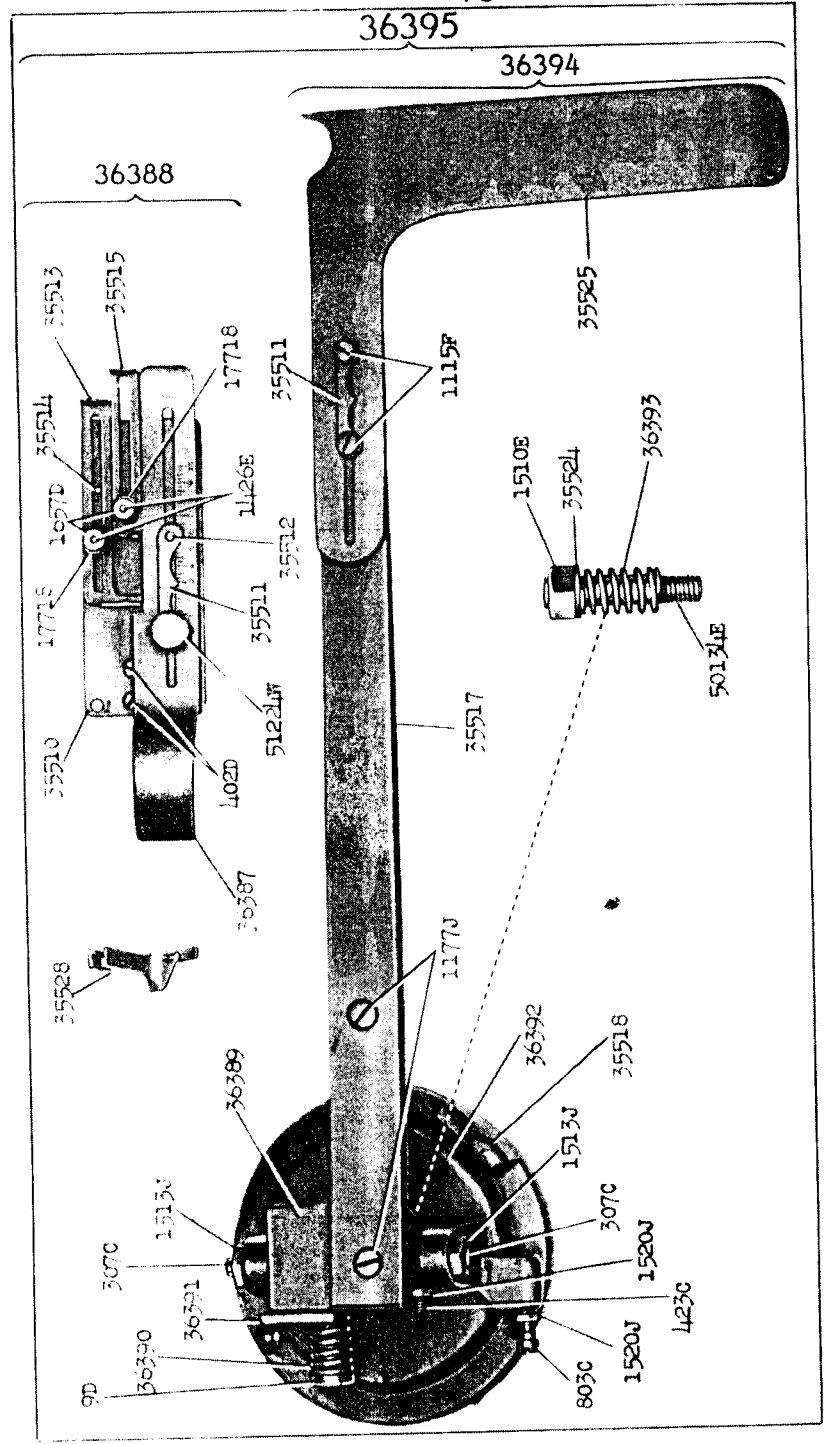
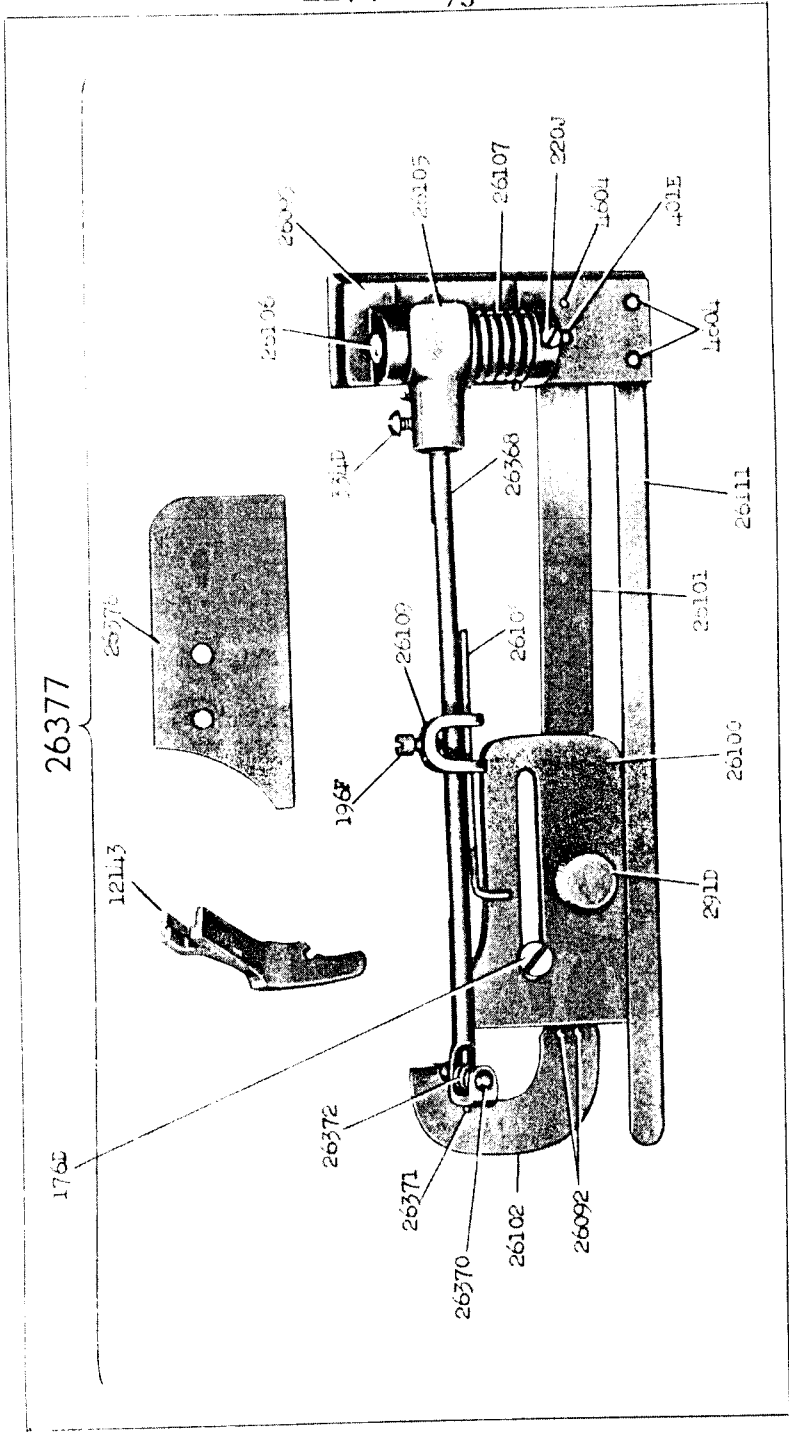


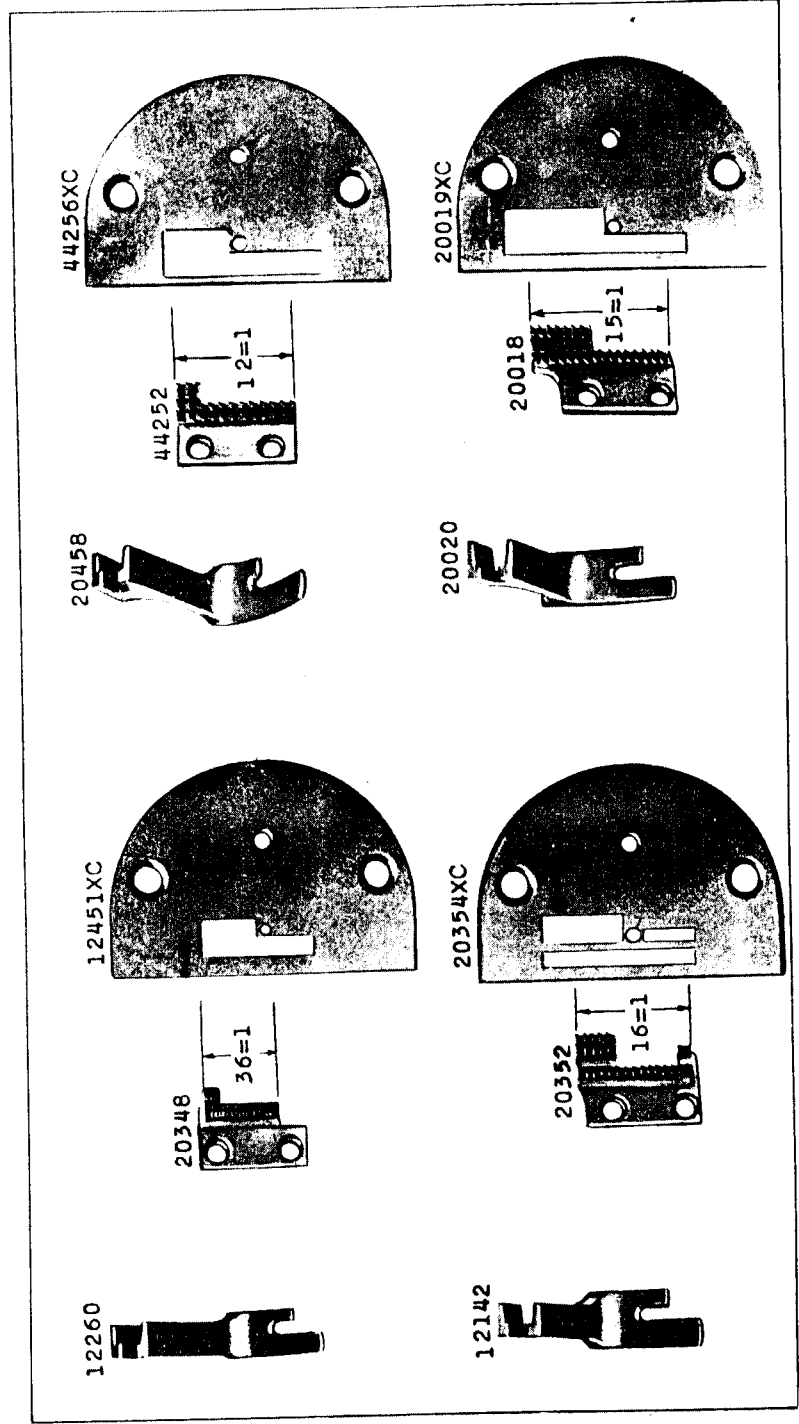
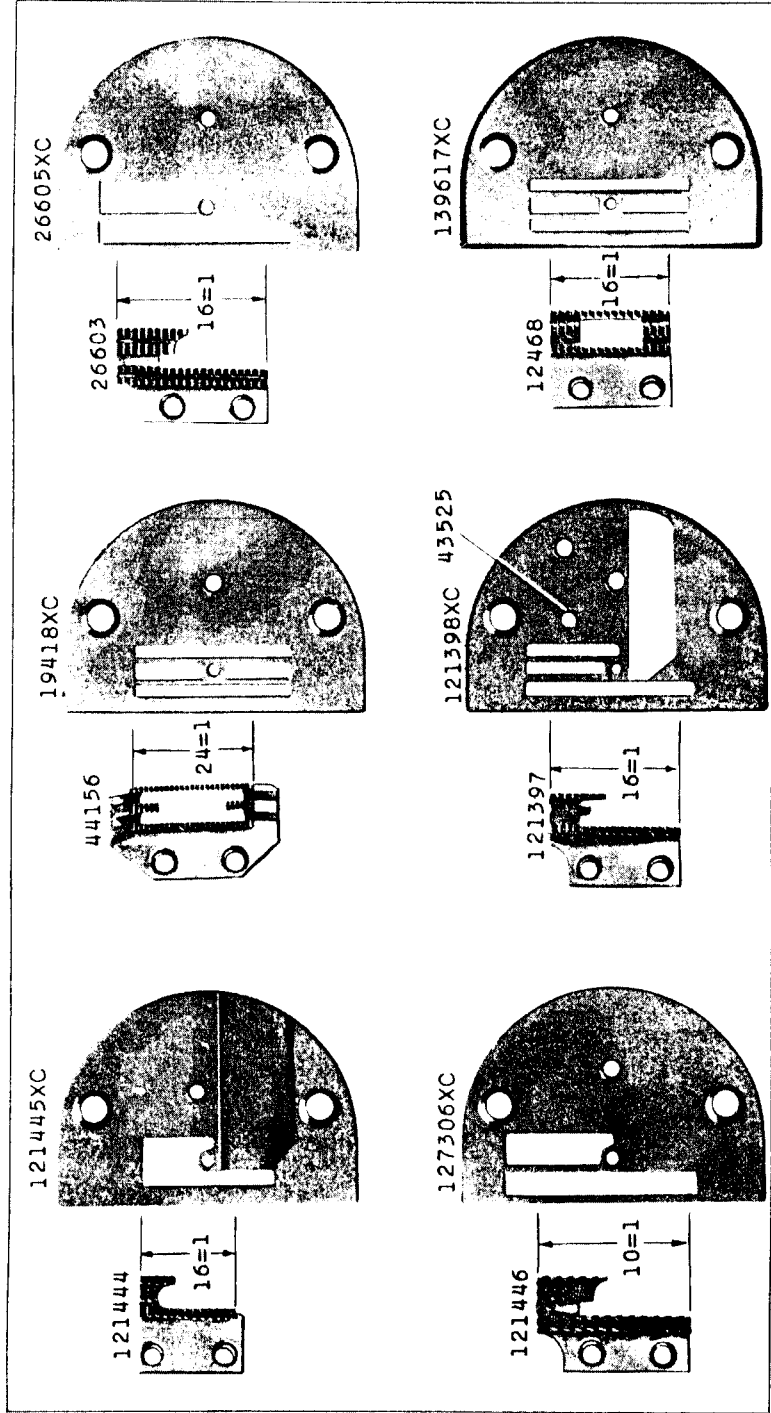
22947 - 2/3



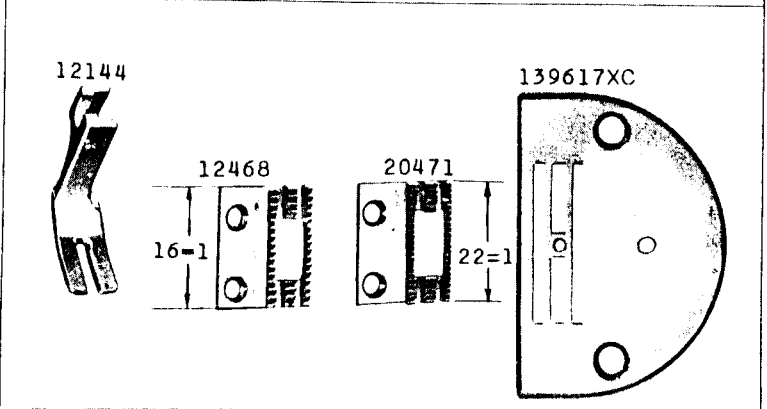
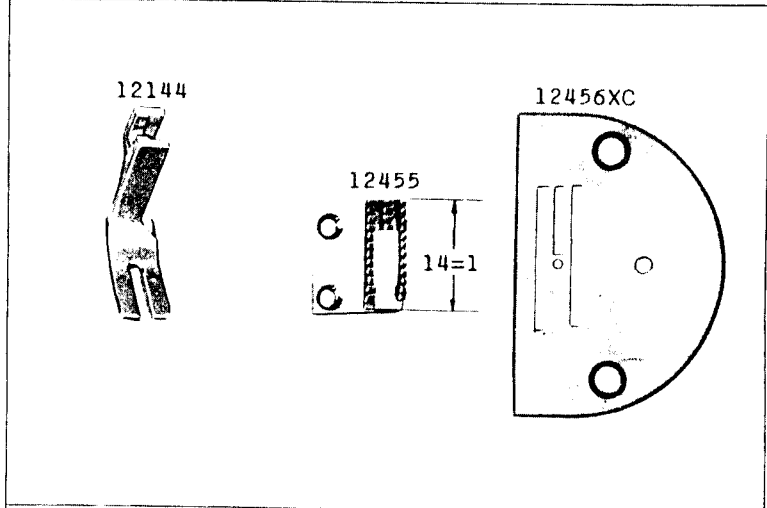
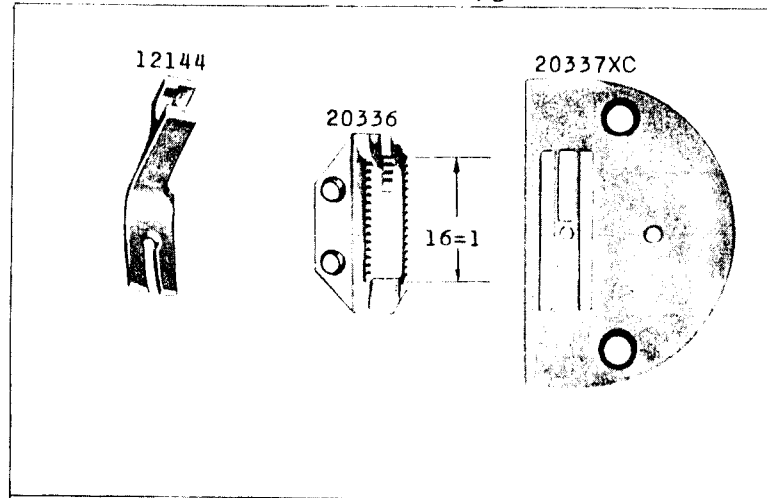
22948 - 2/3







22953 - 2/3



22954 - 2/3

