

**SINGER**  
**133K6,K7**

Form K5015  
(335)  
Printed in Gt. Britain

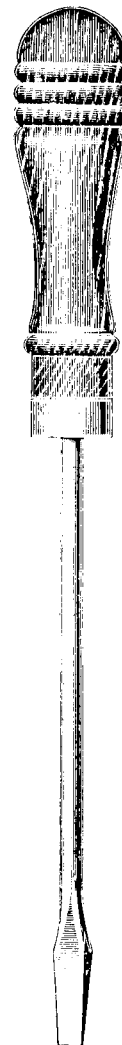
ILLUSTRATED  
LIST OF PARTS  
FOR  
Nos. 133K6 and 133K7  
MACHINES



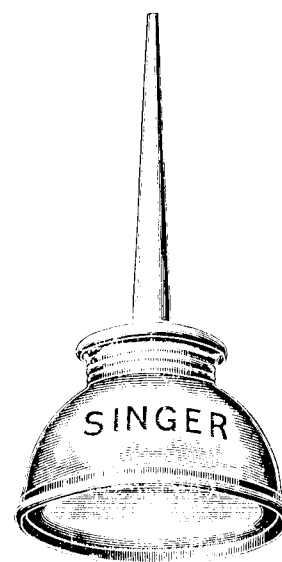
THE SINGER MANUFACTURING COMPANY

*All Rights Reserved*

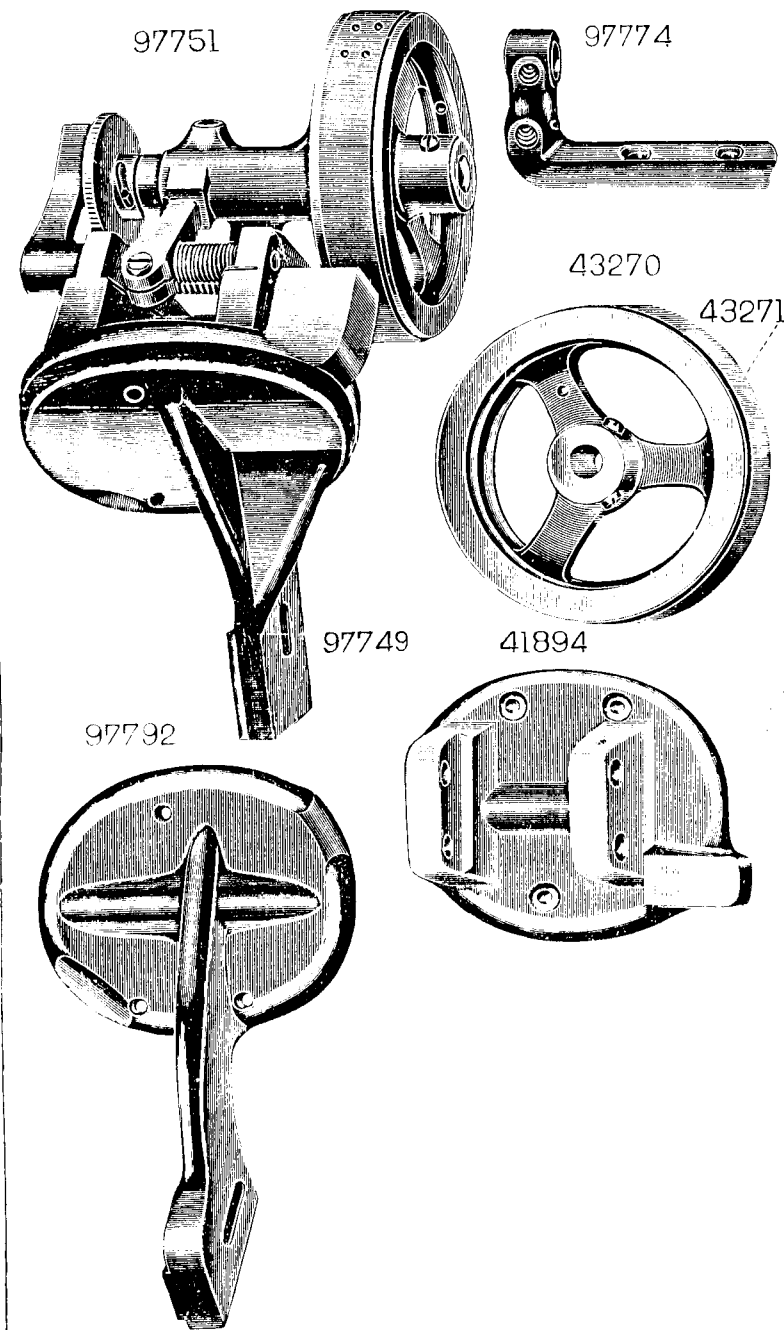
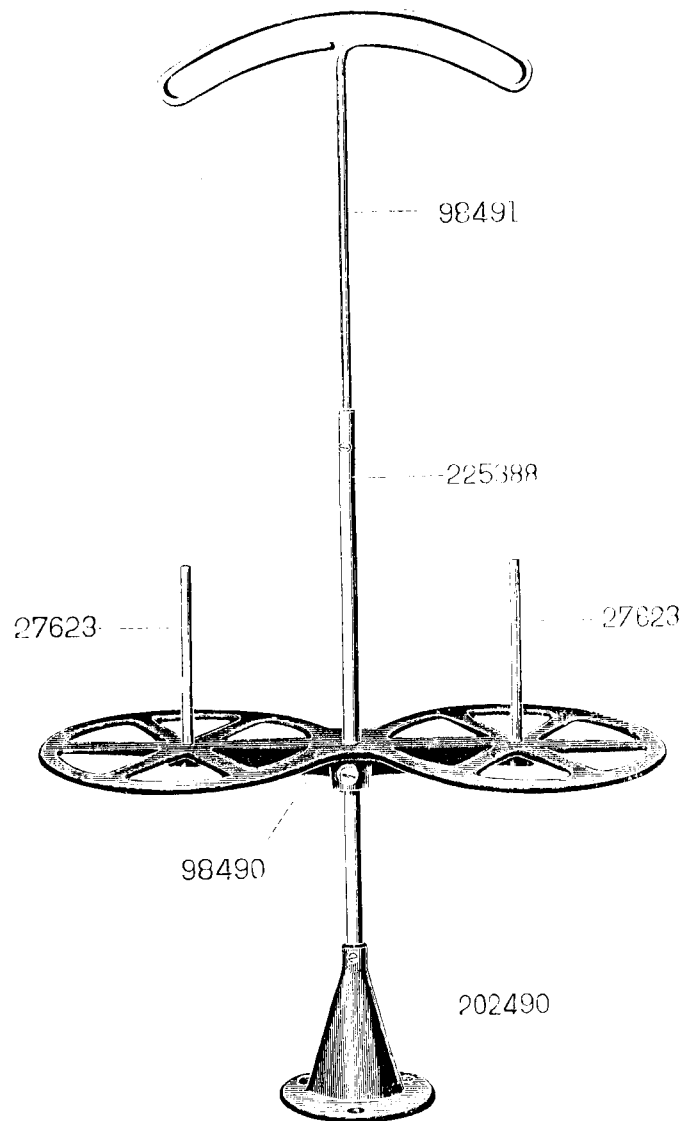
11831

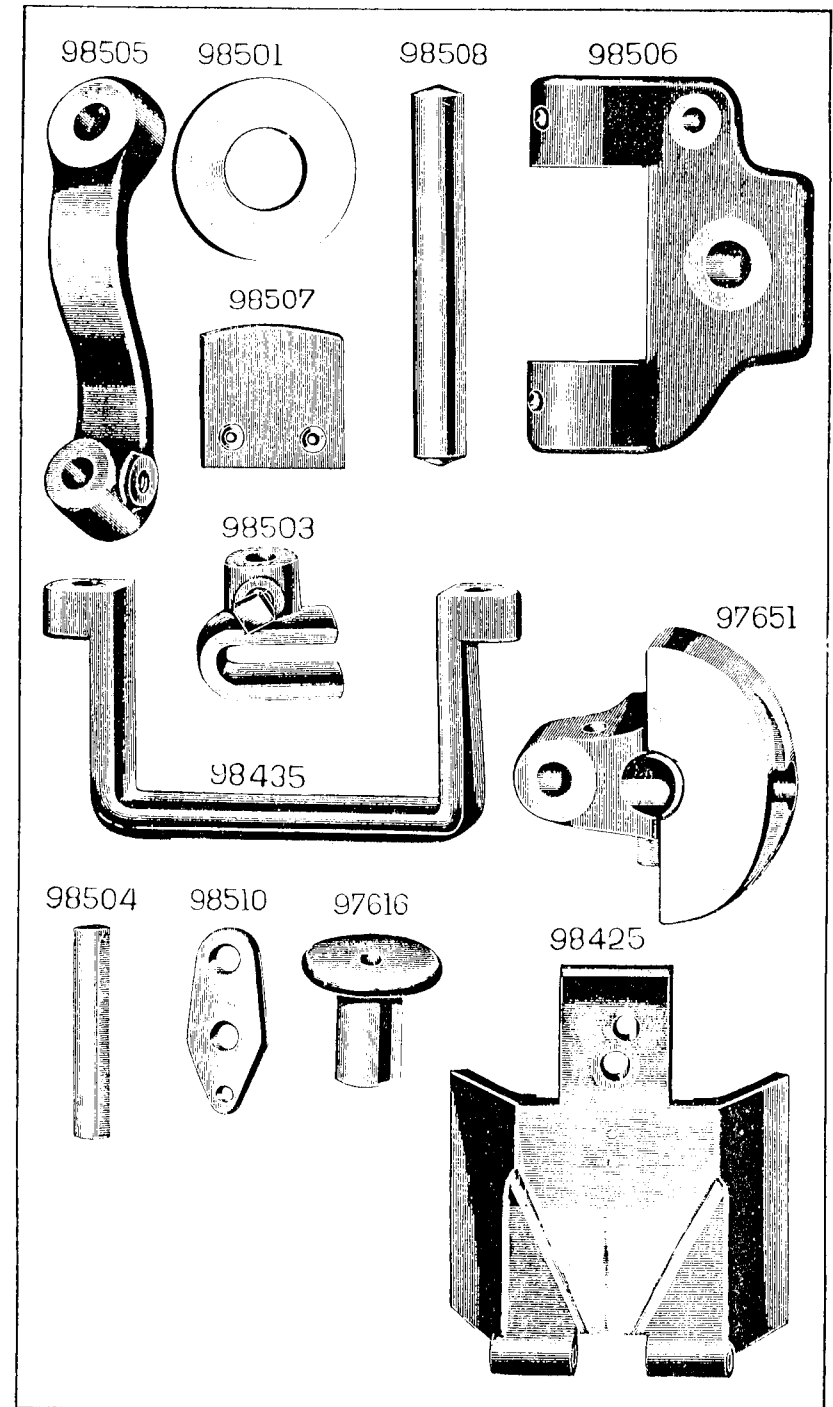
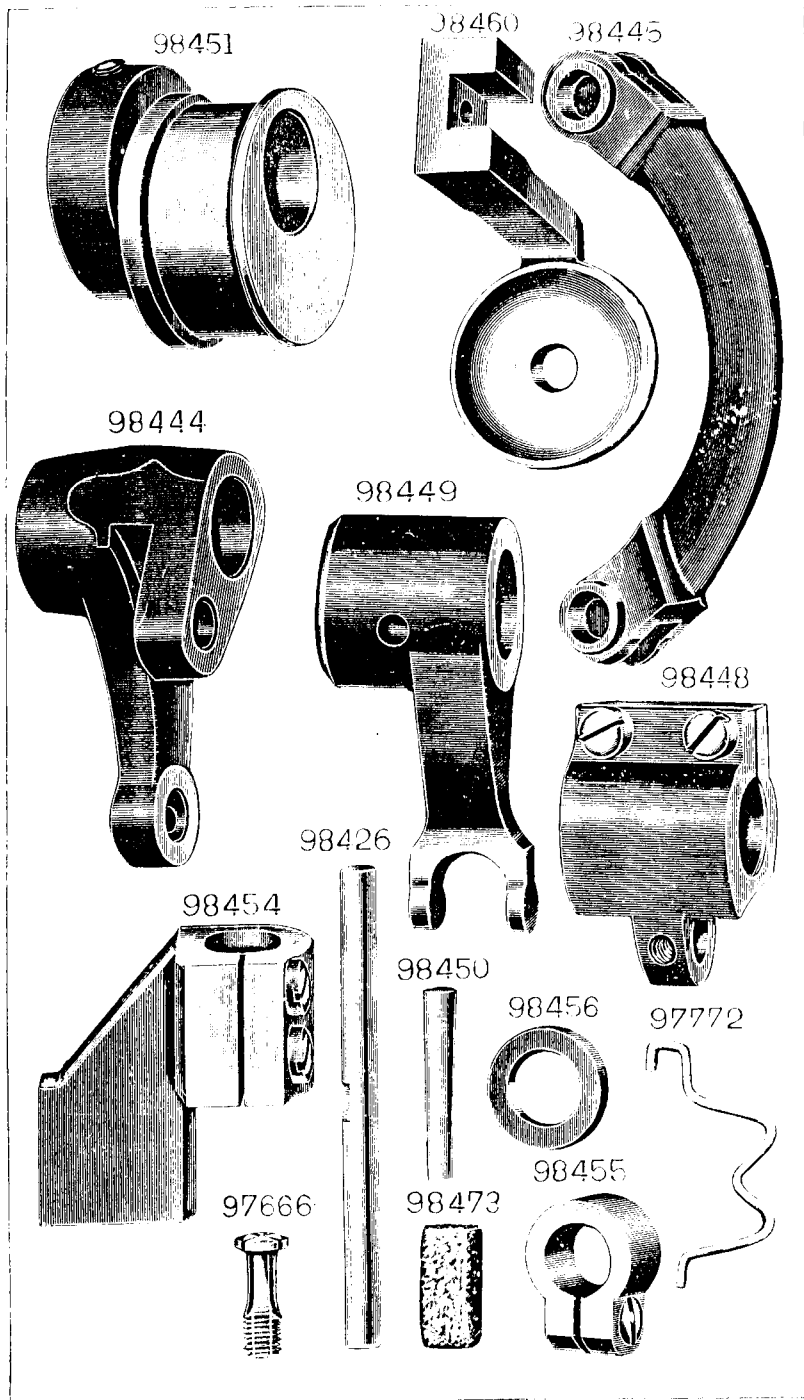


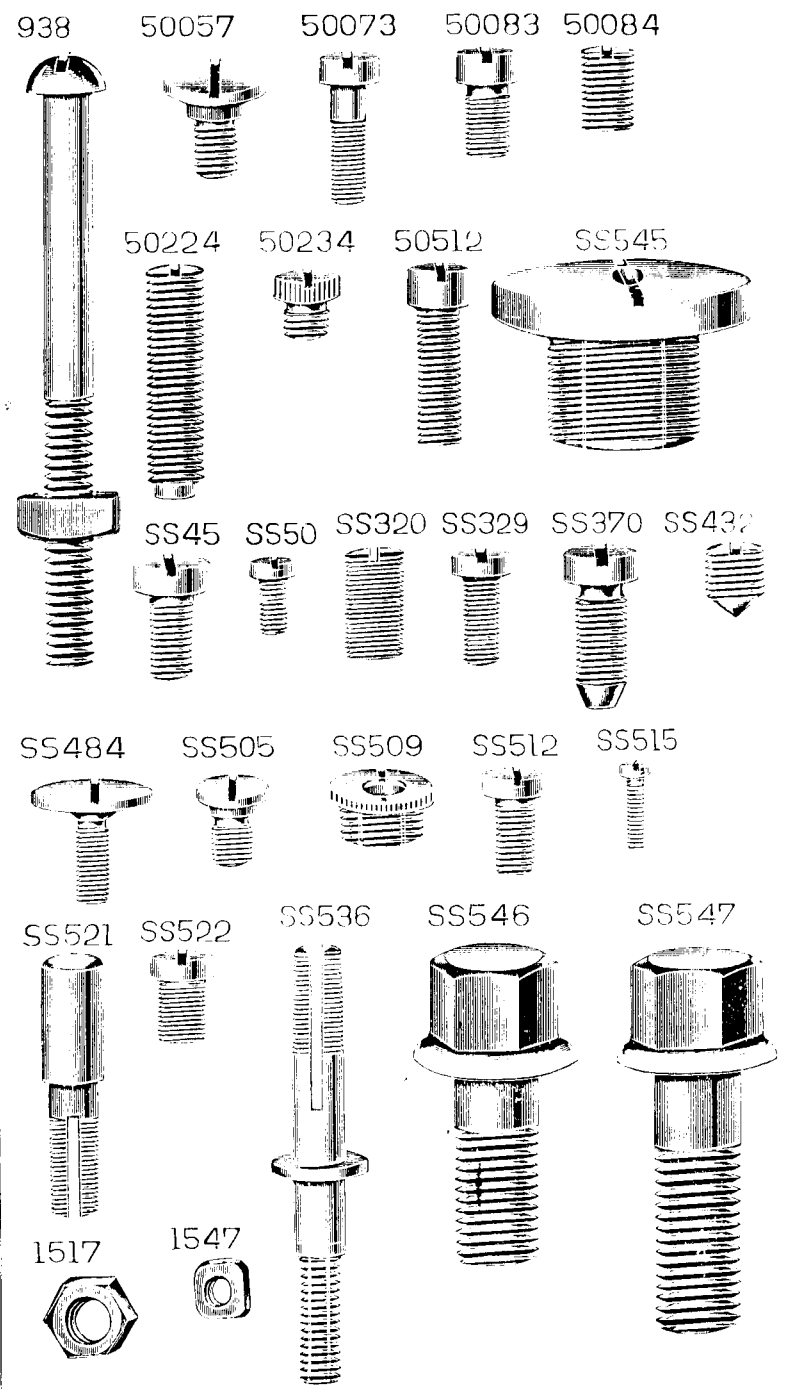
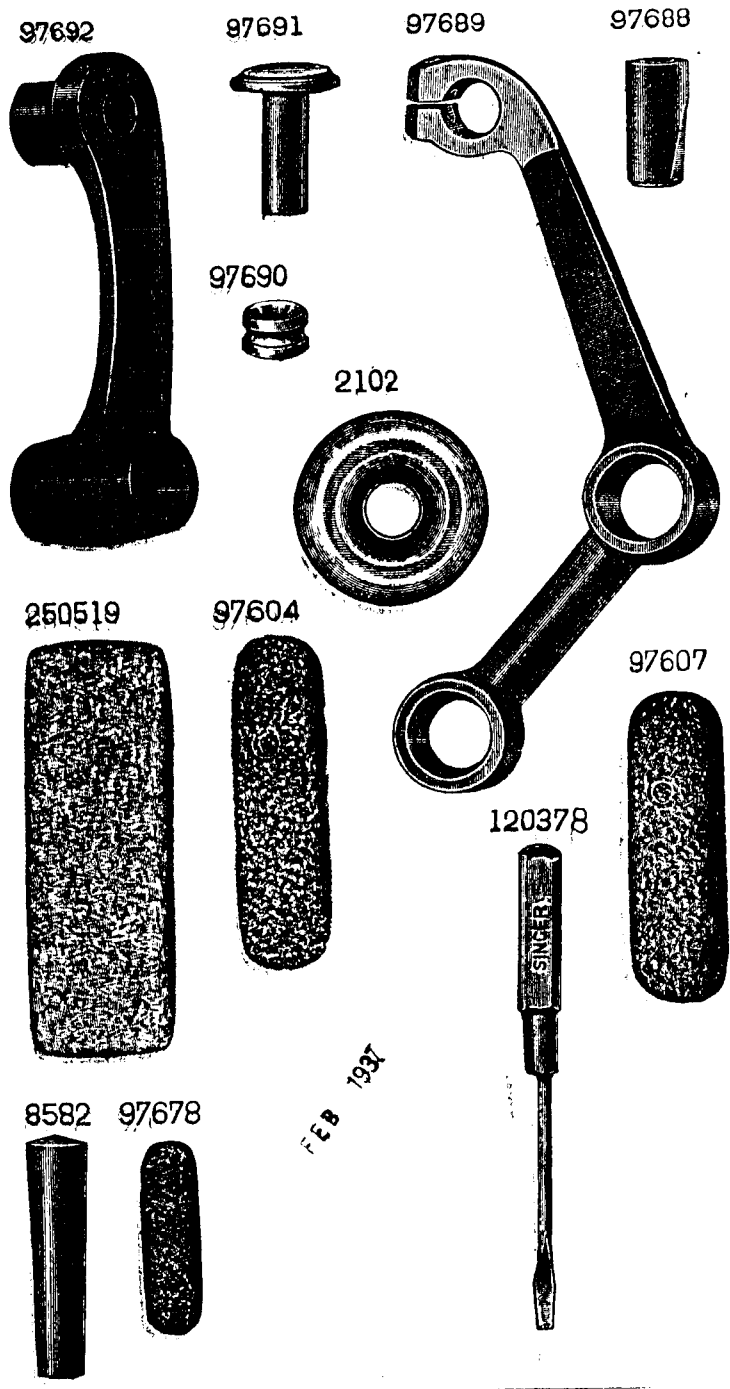
120342



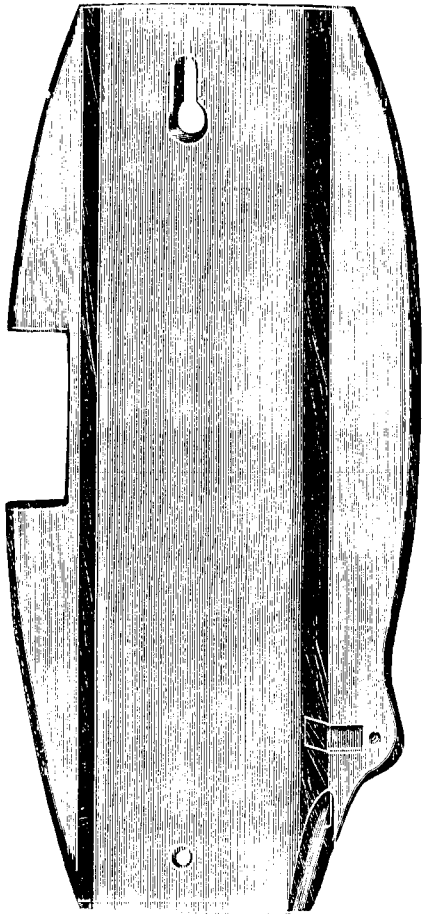
98492



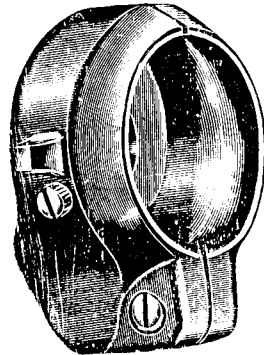




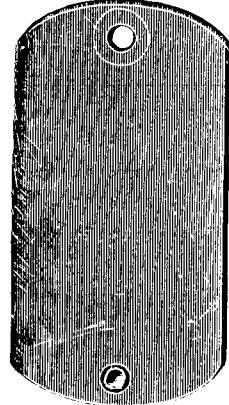
98519



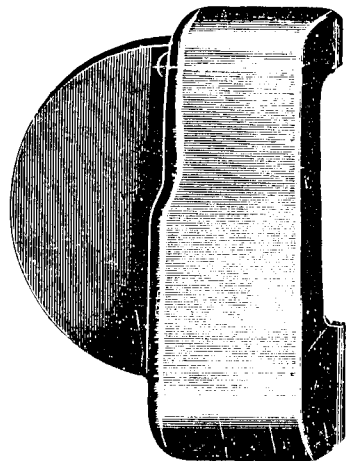
97609



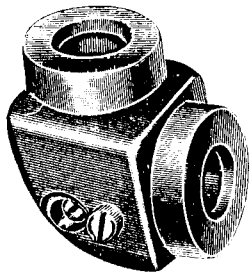
202247



98439



97680



98458



97676

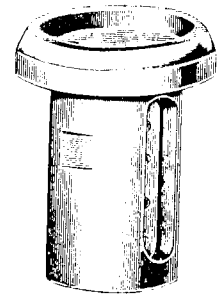
98457

98443

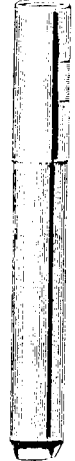
97610

98485

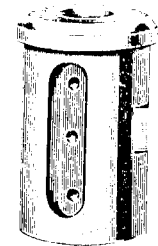
97603



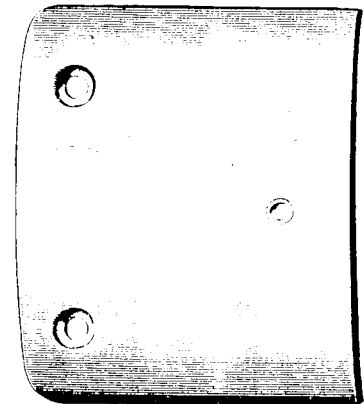
97646



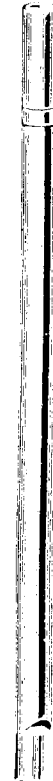
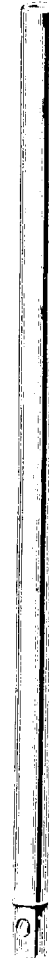
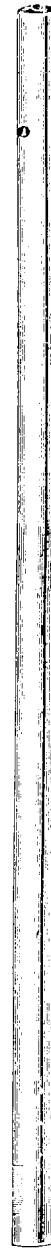
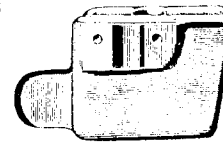
97606

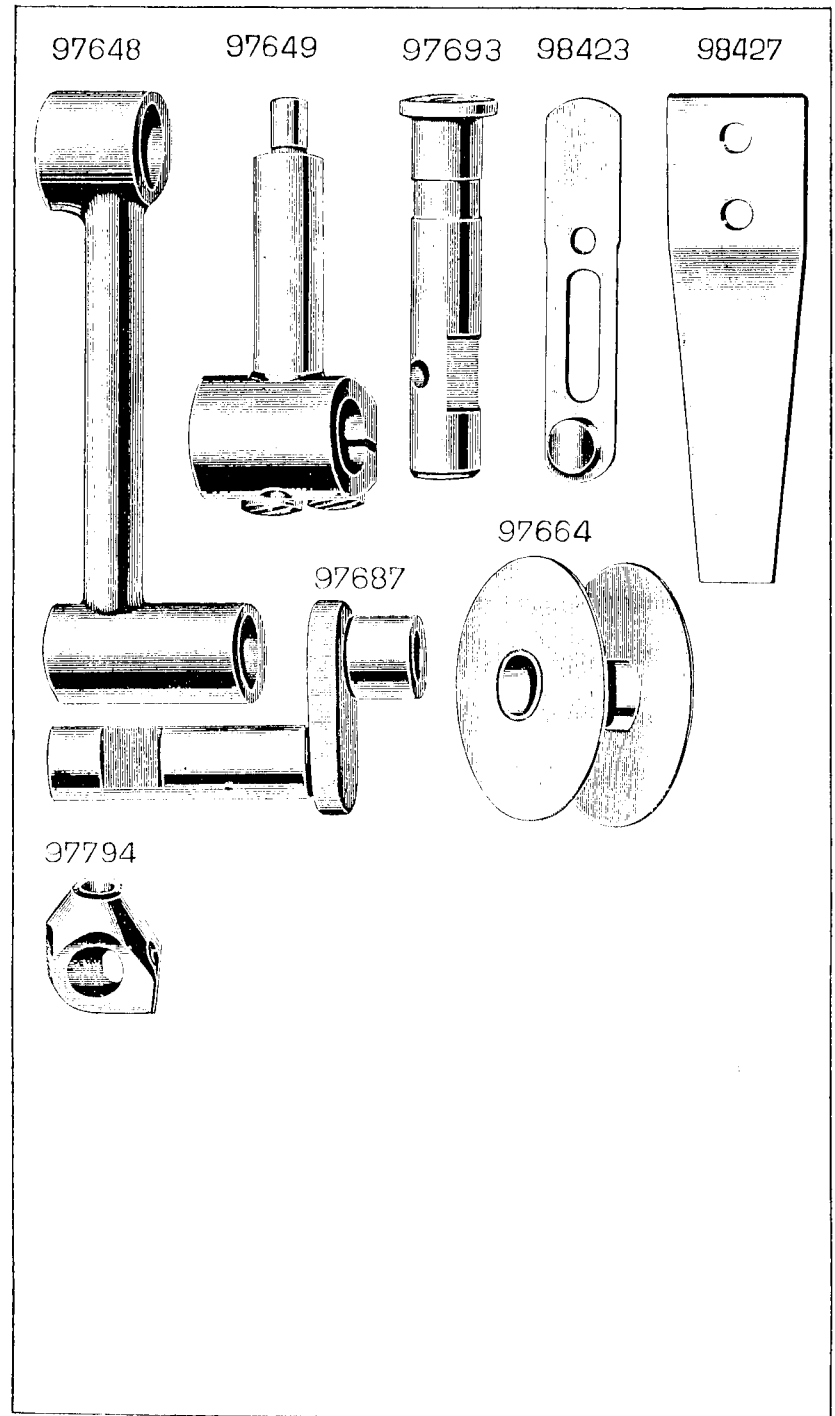
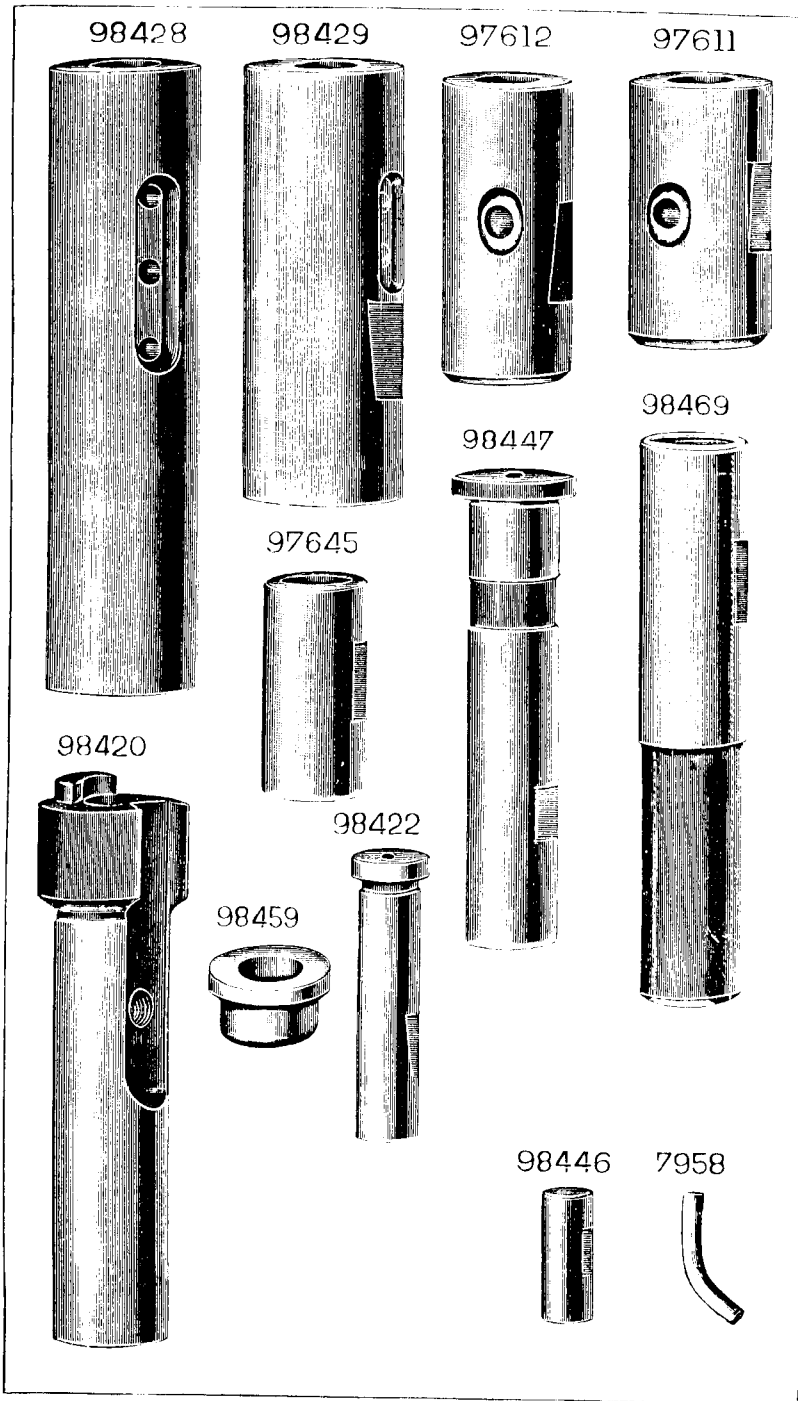


98464

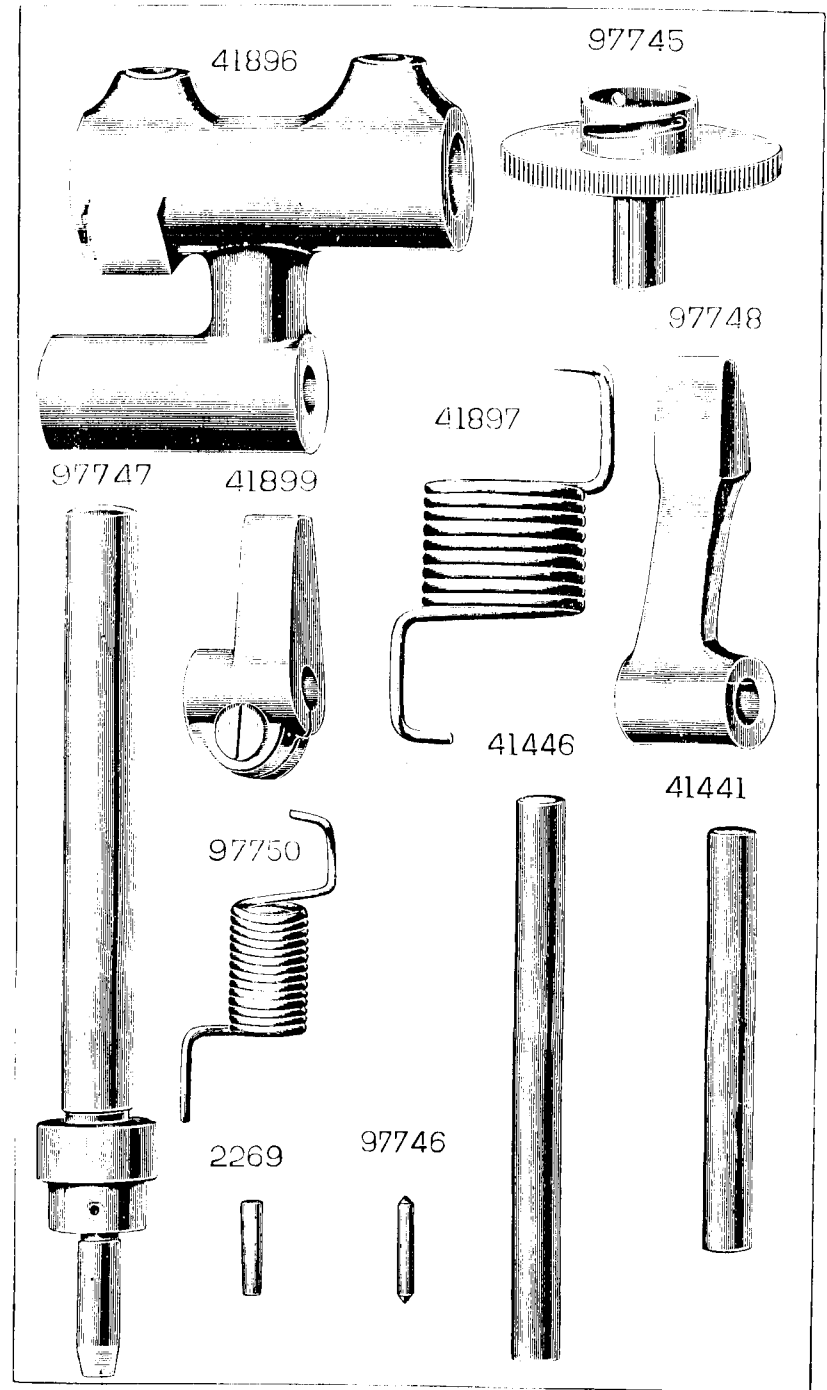
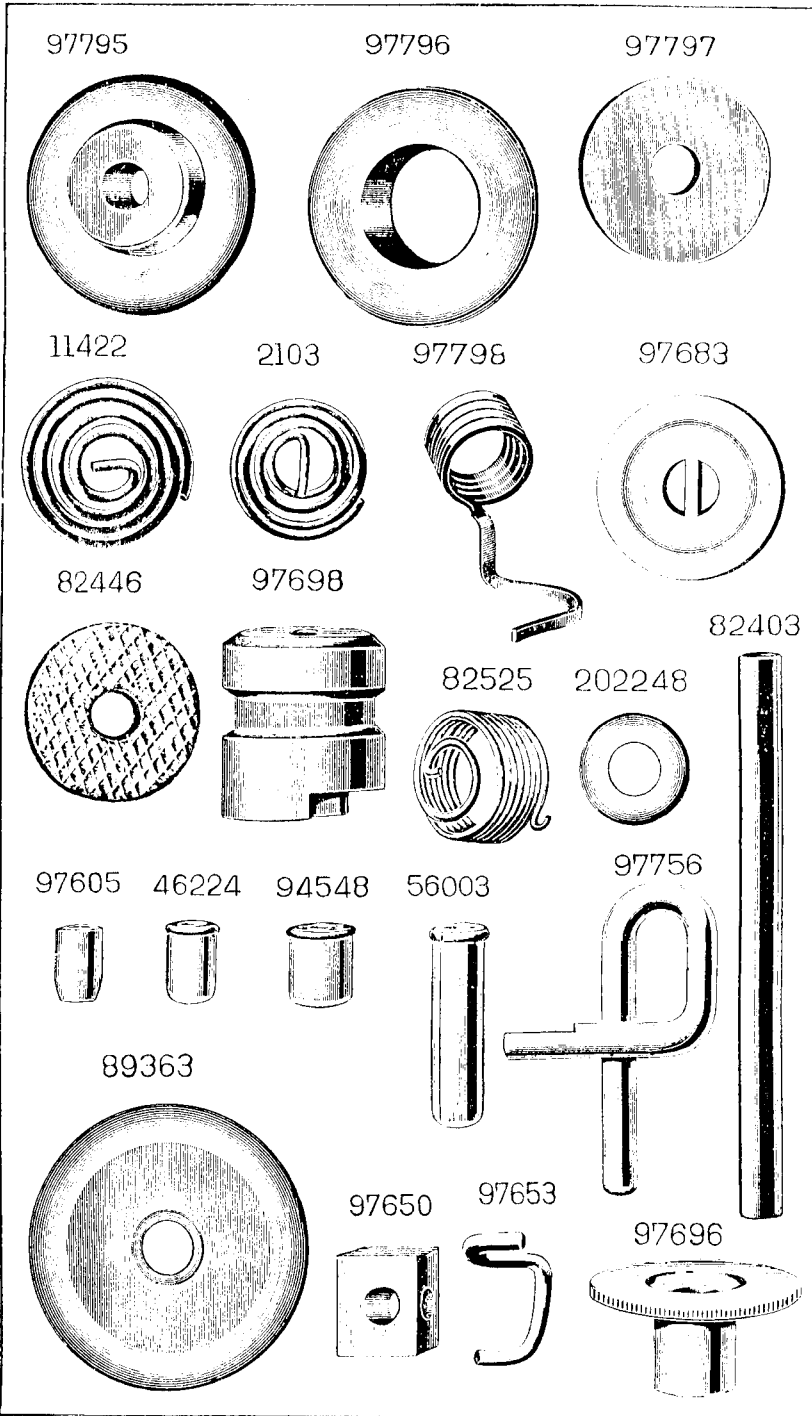


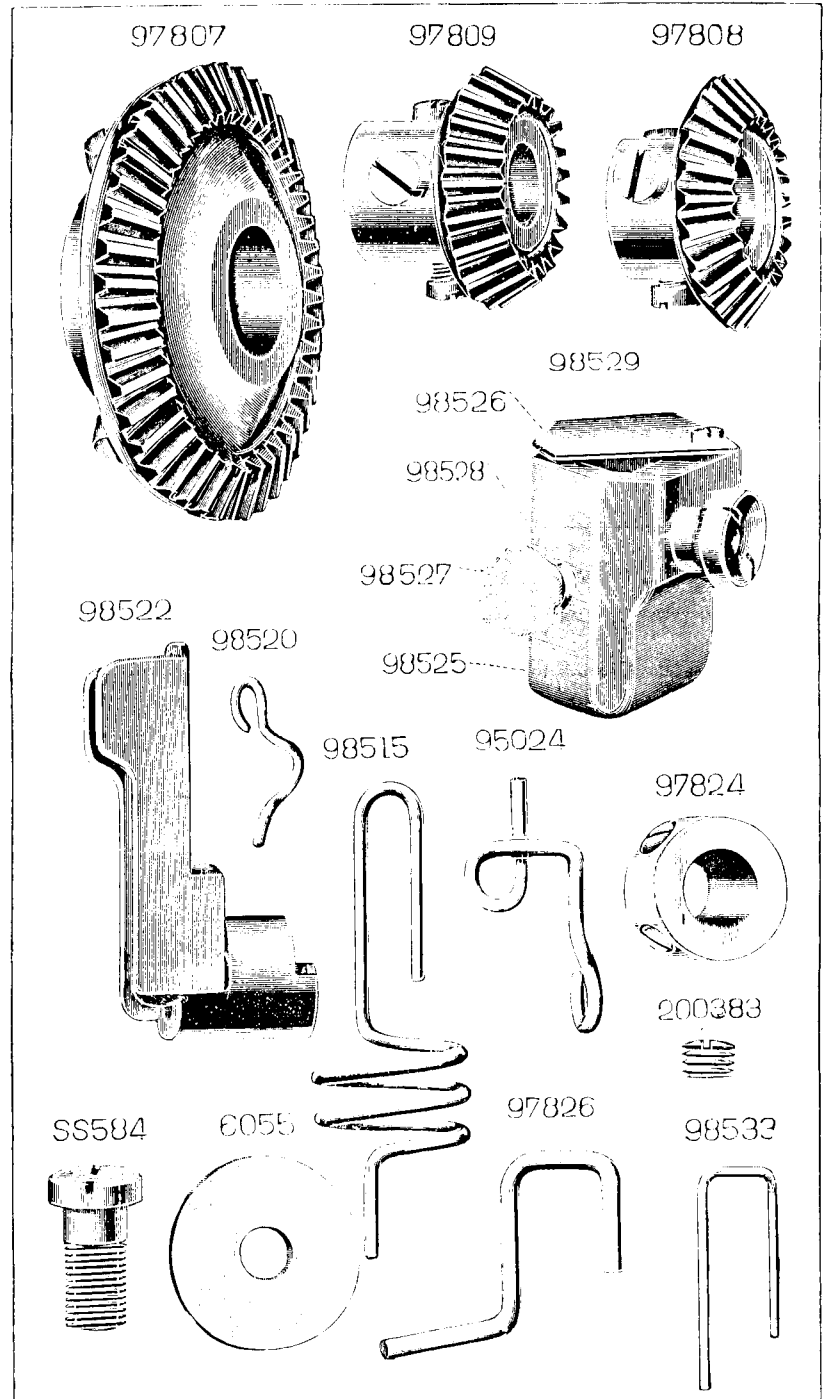
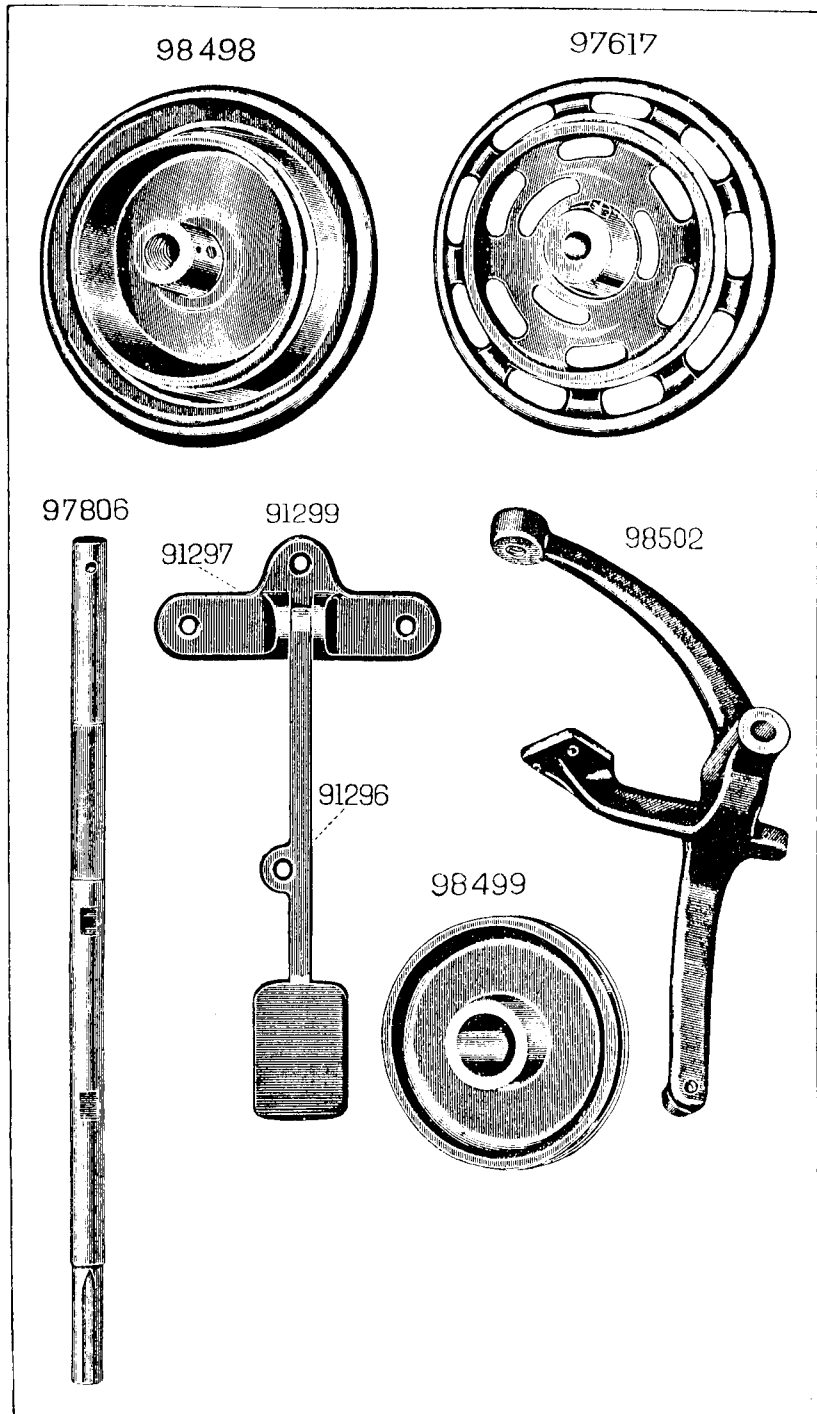
97769

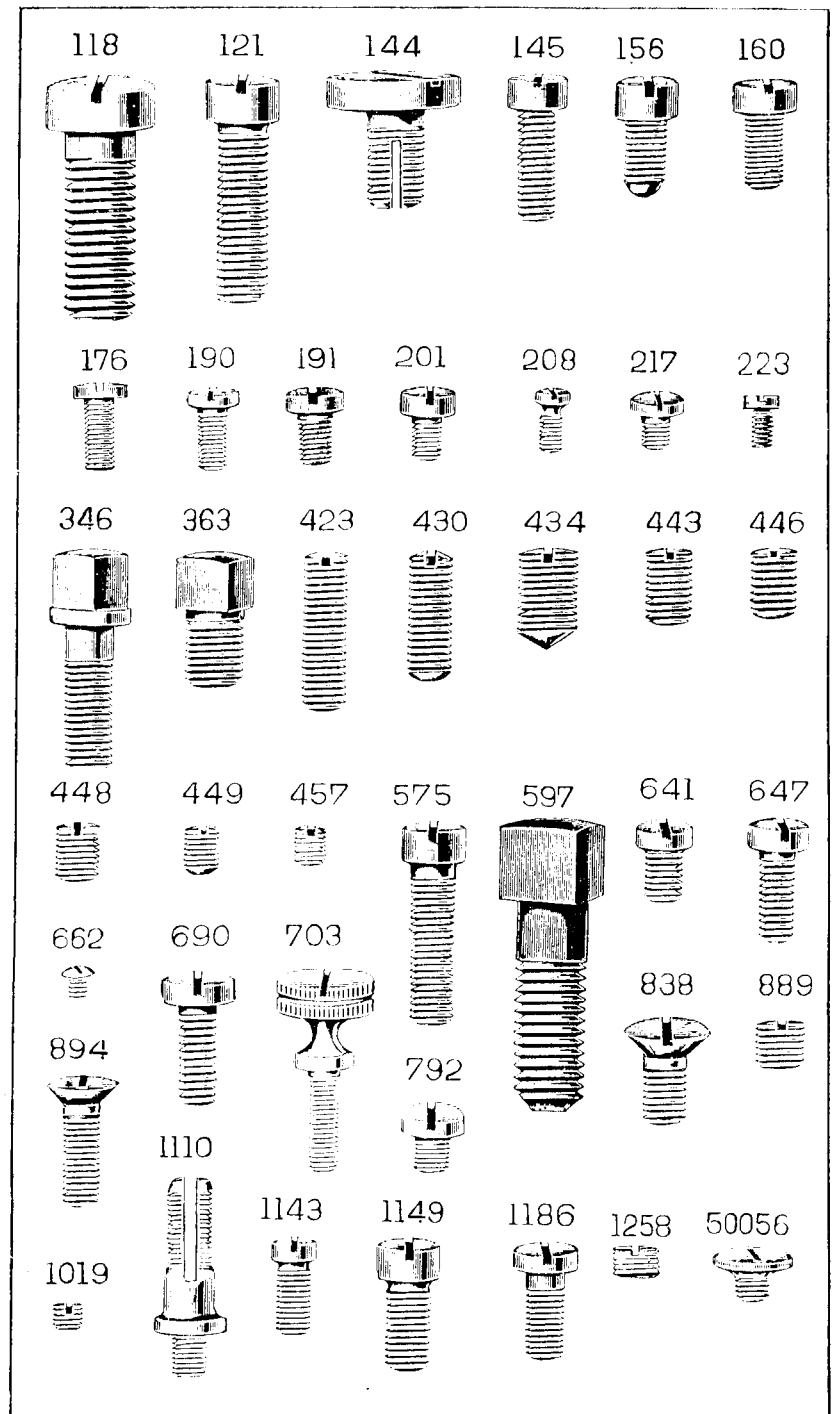
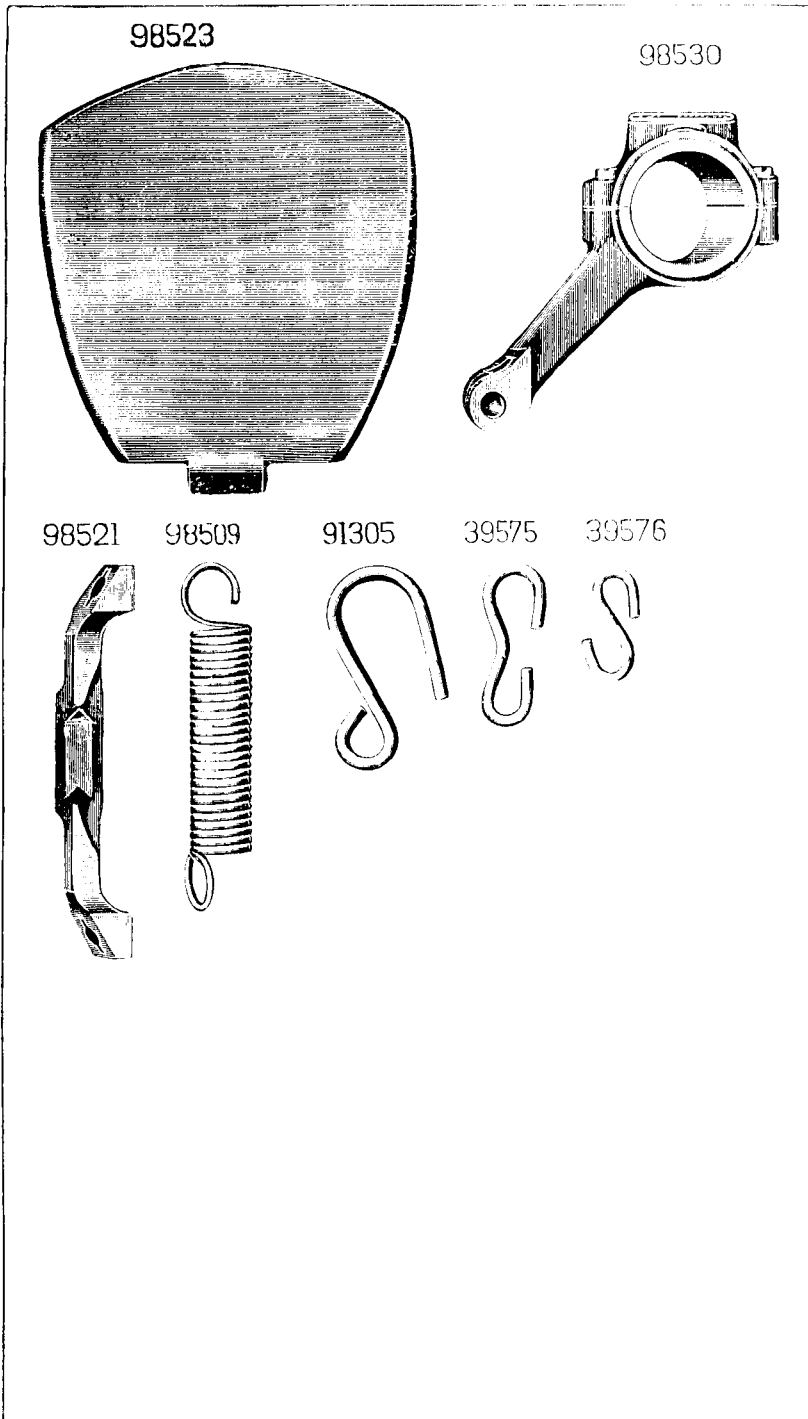












No.	Plate	
202247	2014	<b>Arm Top Cover</b> ... ..
SS505h	1873	" " " Screw ... ..
202248	2018	" " " " Washer ... ..
82403	2018	" Spool Pin (2) ... ..
97616	1870	" " " Bushing ... ..
97617	2020	<b>Balance Wheel, 5" Pulley, with two 434c</b> ... ..
97791	--	" " 5" " (9" diam.), with two 434c, for Foot Power
434c	2025	" " " Set Screw ... ..
NOTE. No. 97617 is sent with this machine unless otherwise specified on order, but Bobbin Winder No. 97793 must be used with Balance Wheel No. 97791.		
*98440	--	<b>Bed</b> ... ..
NOTE. Due to the accuracy required for Gear alignment, Bed cannot be supplied separately and can only be sent out as a unit, Arm and Bed assembled.		
<del>94548</del>	<del>2018</del>	<b>Bed Oiler for Front Bearing</b> ... ..
97829 94548	2018	" " " Back Bearing ... ..
98519	2014	<b>Face Plate</b> ... ..
SS45f	1873	" " " Screw (2) ... ..
97690	1871	" " " Thread Eyelet ... ..
98520	2021	" " " " Retainer ... ..
190d	2025	" " " " " Screw ... ..
98443	2015	<b>Lifting Presser Bar (hollow)</b> ... ..
98444	1868	" " " Bell Crank with two 191c ... ..
98445	1868	" " " " " Connection ... ..
98446	2016	" " " " " Hinge Stud (2) ... ..
191c	2025	" " " " " " Set Screw
98447	2016	" " " " " Hinge Stud ... ..
448c	2025	" " " " " " Set Screw ... ..
98469	2016	" " " Bushing (upper) ... ..
SS509e	1873	" " " ( " ) Cap Screw ... ..
46224	2018	" " " " ( " ) Oiler ... ..
889c	2025	" " " " ( " ) Set Screw ... ..
97645	2016	" " " " (lower) ... ..
889c	2025	" " " " ( " ) Set Screw ... ..
98448	1868	" " " Crank (back) with 191c and two 647e ... ..
647e	2025	" " " " ( " ) Clamping Screw ... ..
98449	1868	" " " " (front) ... ..
98450	1868	" " " " ( " ) Pin ... ..
98451	1868	" " " Eccentric with two 448c ... ..
98530	2024	" " " " Connection with 98531 to 98533 and two 145e

No.	Plate	
*98531	--	<b>Lifting Presser Bar Eccentric Connection Cap</b> ... ..
98532	2023	" " " " " Oil Pad (felt) ... ..
98533	2021	" " " " " Retainer ... ..
145e	2025	" " " " " Screw ... ..
98146	2016	" " " " " Hinge Stud ... ..
191c	2025	" " " " " " Set Screw
448c	2025	" " " " " Screw ... ..
98154	1868	" " " Guide Bracket with two 1186e ... ..
1186e	2025	" " " " " Clamping Screw ... ..
98155	1868	" " " Lifting Collar with 641c ... ..
641c	2025	" " " " " Clamping Screw ... ..
98156	1868	" " " " " Cushion (fibre) ... ..
98157	2015	" " " Shaft ... ..
97830 46224	2018	" " " " Oiler (2) ... ..
98158	2014	" " " Spring ... ..
98159	2016	" " " " Sleeve ... ..
98156	1868	" " " " Cushion (fibre) ... ..
98160	1868	" " " Foot ... ..
SS329f	1873	" " " " Screw ... ..
1547c	1873	" " " " Nut ... ..
98495	--	<b>Lifting Presser Bar Link Drive, complete, Nos. 98444, 98445, 98448, 98530 and three 98446</b> ... ..
98485	2015	<b>Needle Bar (hollow)</b> ... ..
97645	2016	" " Bushing (lower) ... ..
889c	2025	" " " ( " ) Set Screw ... ..
97646	2015	" " " (upper) ... ..
SS509e	1873	" " " ( " ) Cap Screw ... ..
46224	2018	" " " ( " ) Oiler ... ..
889c	2025	" " " ( " ) Set Screw ... ..
97648	2017	" " Connecting Link ... ..
97649	2017	" " " Stud with two SS512c ... ..
SS512c	1873	" " " " Clamping Screw ... ..
97650	2018	" " " " Slide Block ... ..
97651	1870	" " Crank with SS320c and SS370c ... ..
SS370c	1873	" " " Position Screw ... ..
SS320c	1873	" " " Set Screw ... ..
97794	2017	" Clamp ... ..
97652	--	" " 97794 with 156f, 217f and 97653 ... ..
156f	2025	" " Screw ... ..
97653	2018	" " Thread Guide ... ..
217f	2025	" " " Screw ... ..
97813	2022	<b>Rotating Hook with 97815, 97822, 97828 and three 50027</b> ... ..
97814	--	" " 97813 with 97818 ... ..
97815	2022	" " Base with three SS522c ... ..

10/37

10/37

10/26

No.	Plate						
97664	2017	<b>Rotating Hook</b>	Bobbin	...	...	...	...
97816	2023	"	"	"	Case	...	...
97817	2023	"	"	"	"	Nos. 662f, 749f, 50056f, 97666, 97816, 97820, 97821 and three SS579f	...
97818	—	"	"	"	"	97817 with 97664	...
97666	1868	"	"	"	"	Bobbin Retainer	...
50056f	2025	"	"	"	"	"	Screw
98521	2024	"	"	"	"	Position Bracket	...
SS582e	2022	"	"	"	"	"	Screw (2)
98419	<del>98522</del> 2021	"	"	"	"	Retainer	...
98420	2016	"	"	"	"	"	Bracket
446c	2025	"	"	"	"	"	Set Screw (2)
98422	2016	"	"	"	"	"	Hinge Stud
889c	2025	"	"	"	"	"	Set Screw
98515	2021	"	"	"	"	"	Position Spring
792e	2025	"	"	"	"	"	Screw
98423	2017	"	"	"	"	"	Spring with 98468
*98468	—	"	"	"	"	"	Pad
201f	2025	"	"	"	"	"	Screw
97820	2023	"	"	"	"	"	Ring
SS579f	2022	"	"	"	"	"	Screw
97821	2022	"	"	"	"	"	Tension Spring
749f	2022	"	"	"	"	"	Adjusting Screw
662f	2025	"	"	"	"	"	Screw
98523	2024	"	"	"	"	Cover Plate	...
98425	1870	"	"	"	"	"	Bracket
SS45f	1873	"	"	"	"	"	Screw
98426	1868	"	"	"	"	"	Hinge Pin
1019c	2025	"	"	"	"	"	Set Screw
98427	2017	"	"	"	"	"	Spring
176d	2025	"	"	"	"	"	Screw
98524	—	"	"	"	"	complete, Nos. 1019c, 98425 to 98427, 98523 and two 176d	...
98525	2021	"	"	"	"	Oil Box	...
98526	2021	"	"	"	"	"	Cover
223e	2025	"	"	"	"	"	Screw
98527	2021	"	"	"	"	"	Packing (cotton wick)
SS584e	2021	"	"	"	"	"	Screw
98528	2021	"	"	"	"	"	Tube (brass)
98529	2021	"	"	"	"	complete, Nos. 223e, SS584e and 98525 to 98528	...
97822	—	"	"	"	"	"	Pad (felt)
97823	2022	"	"	"	"	"	Ring
50027 <sup>F</sup>	2022	"	"	"	"	"	Screw
97825	2022	"	"	"	"	"	Thread Guard
SS583e	2022	"	"	"	"	"	Screw
97828	—	"	"	"	"	97823 with 97825 and two SS583e	...

No.	Plate						
SS522c	1873	<b>Rotating Hook</b>	Screw	...	...	...	...
97676	2015	"	"	"	Shaft	...	...
98428	2016	"	"	"	"	Bushing (back)	...
97678	1871	"	"	"	"	"	( ) Oil Pad
448c	2025	"	"	"	"	"	( ) Set Screw
98429	2016	"	"	"	"	"	(front)
98473	1868	"	"	"	"	"	( ) Oil Pad
423c	2025	"	"	"	"	"	( ) Set Screw
97824	2021	"	"	"	"	Collar with two 1258c	...
1258c	2025	"	"	"	"	"	Set Screw
97808	2021	"	"	"	"	"	Gear with SS580f and two SS581e
97680	2014	"	"	"	"	"	Case (two pieces) with 121e and 50234d
50234d	1873	"	"	"	"	"	Plug Screw
121e	2025	"	"	"	"	"	Screw
SS580f	2023	"	"	"	"	"	Position Screw
SS581c	2023	"	"	"	"	"	Set Screw
97795	2018	<b>Tension Disc</b>	(inner)	...	...	...	...
97796	2018	"	"	(outer)	...	...	...
1560d	2023	"	"	Regulating Thumb Nut	...	...	...
97683	2018	"	"	Releasing Disc	...	...	...
SS536d	1873	"	"	Screw Stud	...	...	...
11422	2018	"	"	Spring	...	...	...
82446	2018	"	"	Washer (felt)	...	...	...
97797	2018	"	"	"	(fibre)	...	...
97800	—	<b>Tension (rotating) and Thread Take-up Spring,</b>	complete, Nos. SS536d, 1560d, 11422, 82446, 82525, 97683, 97696, 97698 and 97795 to 97798	...	...	...	...
97756	2018	<b>Thread Guard</b>	(side of arm)	...	...	...	...
1143c	2025	"	"	Set Screw	...	...	...
97769	2015	<b>Thread Lubricating Cup</b>	...	...	...	...	...
97770	—	"	"	"	97769 with 160c, 97772 and 250519	...	...
250519	1871	"	"	"	Oil Pad (felt)	...	...
160c	2025	"	"	"	Set Screw	...	...
97772	1868	"	"	"	Thread Guide	...	...
<i>NOTE:—No. 97770 is only supplied when specified on order, and at an extra charge.</i>							
89363	2018	<b>Thread Retaining Disc</b>	...	...	...	...	...
1110e	2025	"	"	Screw Stud	...	...	...
1560d	2023	"	"	"	"	Regulating Thumb Nut	...
2103	2018	"	"	Spring	...	...	...
97757	—	"	"	Retainer, complete, Nos. 1110e, 1560d, 2103 and two 89363	...	...	...

No.	Plate						
95024	2024	<b>Thread Retainer</b>	Thread Eyelet	...	...	...	...
SS50f	1873	"	"	"	"	Screw	...
97687	2017	"	Take-up Crank	...	...	...	...
SS484e	1873	"	"	"	"	Cap Screw	...
97688	1871	"	"	"	"	Cotter Pin	...
690c	2025	"	"	"	"	"	Screw
97689	1871	"	Take-up Lever	...	...	...	...
97690	1871	"	"	"	"	Bushing	...
SS515d	1873	"	"	"	"	Clamping Screw	...
97691	1871	"	"	"	"	Hinge Pin	...
97692	1871	"	"	"	"	Link	...
97693	2017	"	"	"	"	Hinge Pin	...
457e	2025	"	"	"	"	"	End Screw
430c	2025	"	"	"	"	"	Set Screw
97694	--	"	"	"	"	complete, Nos. 457e, SS515d and 97689	to 97693
82525	2018	"	"	"	"	Spring	...
97696	2018	"	"	"	"	Adjusting Sleeve	...
97798	2018	"	"	"	"	Lever	...
97698	2018	"	"	"	"	Regulator	...
443c	2025	"	"	"	"	"	Set Screw
98464	2015	<b>Throat Plate</b>	...	...	...	...	...
838f	2025	"	"	"	"	Screw (2)	...
98434	--	<b>Work Plate</b>	...	...	...	...	...
98435	1870	"	"	"	"	Bracket	...
50512d	1873	"	"	"	"	Screw	...
98436	--	<b>Work Plate</b> , complete, Nos. 98434, 98435 and two 50512d	...	...	...	...	...
*15404	--	<b>Trade Mark</b>	...	...	...	...	...
15405	--	"	"	"	"	Rivet	...

# PARTS SPECIAL

TO

# No. 133K7 MACHINE

Cylinder Bed, for Sack Darning.

This Machine is the same as No. 133K6, with the following exceptions:--

No.	Plate						
*98496	--	<b>Arm</b>	with 15404, 56003, two each 15405 and 94548	...	...	...	...
<i>NOTE: Due to the accuracy required for Gear alignment, Arm cannot be supplied separately and can only be sent out as a unit, Arm and Bed assembled.</i>							
*98497	--	<b>Bed</b>	...	...	...	...	...
<i>NOTE: Due to the accuracy required for Gear alignment, Bed cannot be supplied separately and can only be sent out as a unit, Arm and Bed assembled.</i>							
98498	2020	<b>Balance Wheel</b>	with 434c and SS432c	...	...	...	...
SS545d	1873	"	"	"	"	End Screw	...
98501	1870	"	"	"	"	Washer	...
98499	2020	"	"	"	"	Loose Pulley	...
434c	2025	"	"	"	"	Set Screw (long)	...
SS432c	1873	"	"	"	"	(short)	...
98500	--	<b>Balance Wheel</b> , complete, Nos. 98498 and 98499	...	...	...	...	...
98502	2020	<b>Driving Attachment Lever</b>	...	...	...	...	...
50224c	1873	"	"	"	"	Adjusting Screw	...
1517c	1873	"	"	"	"	"	Nut
98503	1870	"	"	"	"	Belt Shifter with 363c	...
98505	1870	"	"	"	"	Carrier with 363c	...
SS546c	1873	"	"	"	"	"	Screw
363c	2025	"	"	"	"	"	Clamping Screw
98504	1870	"	"	"	"	"	Rod
363c	2025	"	"	"	"	"	Clamping Screw
98506	1870	"	"	"	"	Bracket	...
SS547c	1873	"	"	"	"	"	Screw
98507	1870	"	"	"	"	Friction Pad (leather)	...
190d	2025	"	"	"	"	"	( " ) Screw (2)
98508	1870	"	"	"	"	Spindle	...
448c	2025	"	"	"	"	"	Set Screw

## No. 133K7 MACHINE.

No.	Plate						
98509	2024	<b>Driving Attachment Lever Spring</b>	...	...	...		
7958	2016	" " " " Hook	...	...	...		
98510	1870	" " " " Plate	...	...	...		
50057c	1873	" " " " " Hinge Screw	...	...	...		
98511	—	<b>Driving Attachment Lever, complete, Nos. 448c, SS516c, SS547c, 1517c, 50057c, 50224c, 98502 to 98510 and two 190d</b>	...	...	...	...	...
91296	2020	<b>Driving Attachment Starting Lever</b>	...	...	...		
91297	2020	" " " " Bracket	...	...	...		
91298	2023	" " " " " Hinge Pin	...	...	...		
—	—	" " " " " Screw (Wood), 1 1/4" No. 15	...	...	...		
91299	2020	" " " " " Nos. 91296 to 91298 and Three Wood Screws 1 1/4" No. 15	...	...	...		
39569	—	" " " " " Lever Chain 45" long with 39575 and 39576	...	...	...		
39576	2024	" " " " " Hook (upper)	...	...	...		
39575	2024	" " " " " (centre)	...	...	...		
91305	2024	" " " " " (lower)	...	...	...		
84275	—	" " " " " Shaft Pulley (sectional, grooved), 10" diam., with two 597c	...	...	...		
597c	2025	" " " " " Clamping Screw	...	...	...		
98512	—	<b>Driving Attachment Starting Lever, complete, Nos. 39569, 91299 and 91305</b>	...	...	...	...	...





## Bobbin Winder

(Swinging Automatic, Left Hand)

No.	Plate	
41894	1856	Base with 449c ... ..
894d	2025	" Screw ... ..
97745	2019	Bobbin Holder ... ..
97746	2019	" " Pin ... ..
41896	2019	Frame ... ..
41441	2019	" Hinge Pin ... ..
449c	2025	" " " Set Screw ... ..
125044	2023	" Oil Pad ... ..
41897	2019	" Spring ... ..
43270	1856	Friction Pulley with 43271, two 448c and ten 15405 ... ..
43271	1856	" " Ring (leather) ... ..
15405	---	" " " Rivet (brass) ... ..
448c	2025	" " " Set Screw ... ..
97747	2019	Spindle ... ..
97748	2019	Stop Latch ... ..
41446	2019	" " Hinge Pin ... ..
2269	2019	" " Pin ... ..
97749	1856	Support Bracket ... ..
346c	2025	" " Screw ... ..
97774	1856	Tension Bracket ... ..
50073d	1873	" " Screw (2) ... ..
2102	1871	" Disc ... ..
SS521c	1873	" Screw Stud ... ..
889c	2025	" " " Set Screw ... ..
1560d	2023	" " " Thumb Nut ... ..
2103	2018	" Spring ... ..
97826	2021	" Thread Guard ... ..
889c	2025	" " " Set Screw ... ..
97776	---	Tension, complete, Nos. SS521c, 1560d, 2103, 97774, 97826, two each 889c and 2102 ... ..
41899	2019	Tripping Arm with 176d ... ..
176d	2025	" " Clamping Screw ... ..
97750	2019	" " Spring ... ..
97751	1856	<b>Bobbin Winder</b> , complete, Nos. 346c, 2269, 41441, 41446, 41894, 41896, 41897, 41899, 43270, 97745 to 97750, 97776, 125044, two 50073d and three 894d ... ..

## Bobbin Winder

(Swinging Automatic, Left Hand)

For machine when fitted with Balance Wheel No. 97791  
for Foot Power.

This is the same as Bobbin Winder No. 97751 with the following exceptions:

No.	Plate	
97792	1856	Support Bracket ... ..
97793	---	<b>Bobbin Winder</b> , complete, Nos. 346c, 2269, 41441, 41446, 41894, 41896, 41897, 41899, 43270, 97745 to 97748, 97750, 97776, 97792, 125044, two 50073d and three 894d ... ..

## Thread Unwinder

For Two Spools of Thread.

No.	Plate	
27623	1855	Spool Pin ... ..
98489	---	" Rest ... ..
98490	1855	" " 98489 with 1149c and two 27623 ... ..
225388	1855	" " Rod ... ..
200383c	2021	" " " Set Screw ... ..
1149c	2025	" " " Set Screw ... ..
202490	1855	" Stand with 200383c ... ..
98491	1855	Thread Guide with 208c ... ..
208c	2025	" " " Set Screw ... ..
---	---	Screw (Wood) $\frac{3}{8}$ " No. 13 (for fixing to table) ... ..
98492	1855	<b>Thread Unwinder</b> , complete, Nos. 98490, 98491, 202490, 225388 and three Wood Screws $\frac{3}{8}$ " No. 13 ... ..