

SINGER
136W111

Form 2675w

(141)

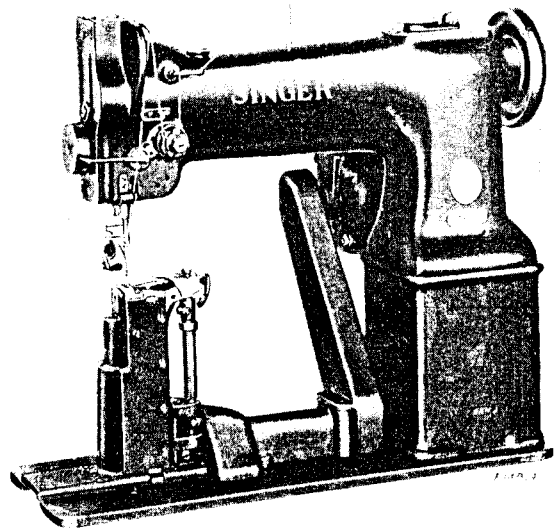
Printed in U. S. A.

SINGER

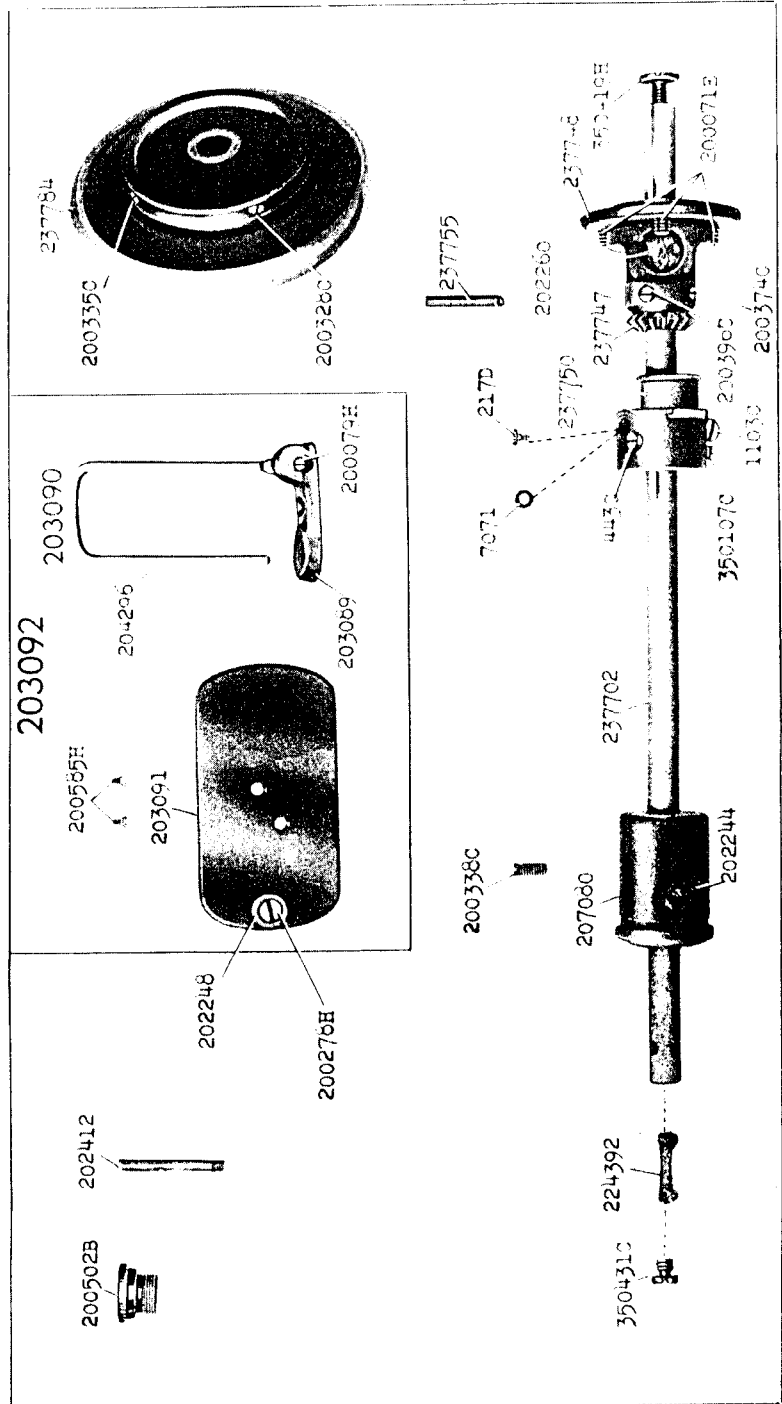
136w III



THE SINGER MANUFACTURING COMPANY

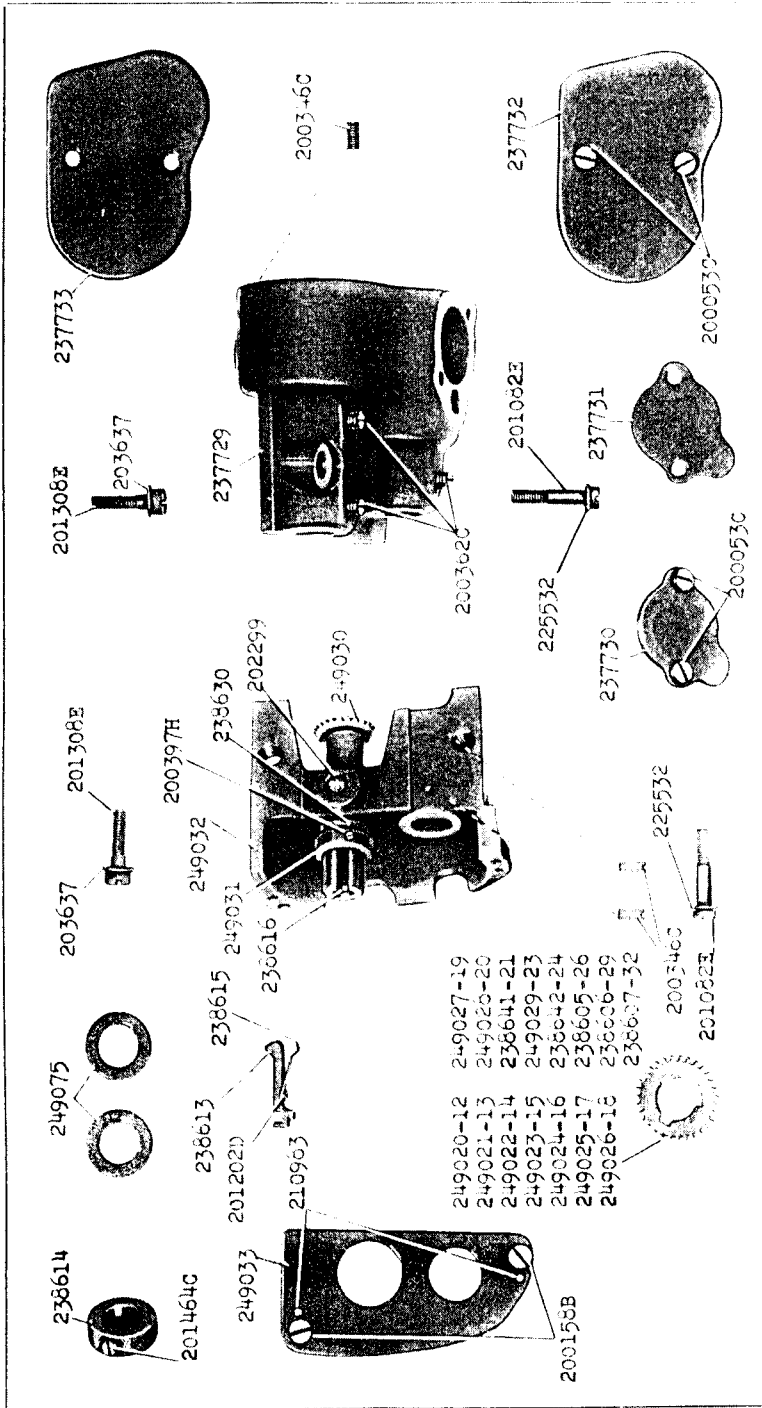


Copyright, U. S. A., 1938, 1939, 1940 and 1941
 by The Singer Manufacturing Co.
 All Rights Reserved for all Countries



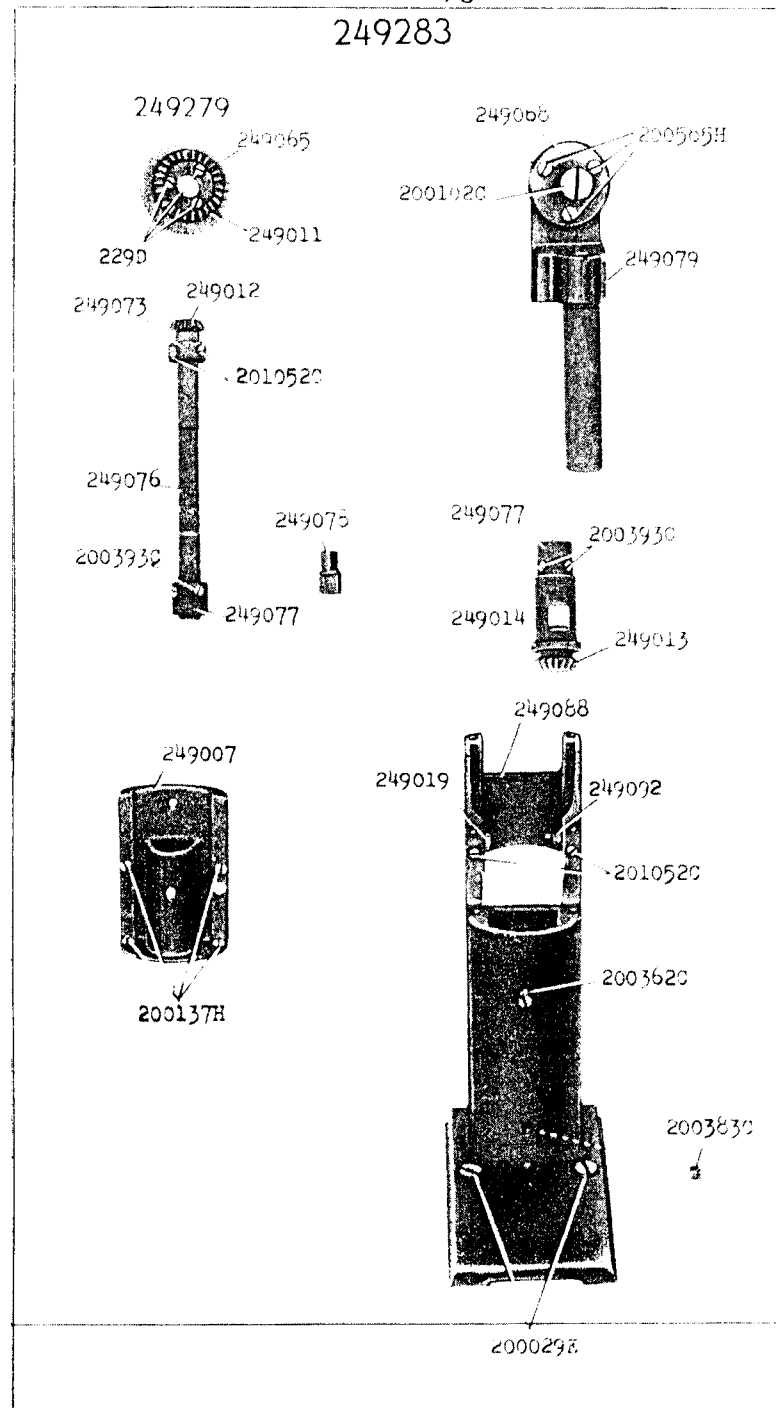
2674c 2075-57

15739 - 1/3



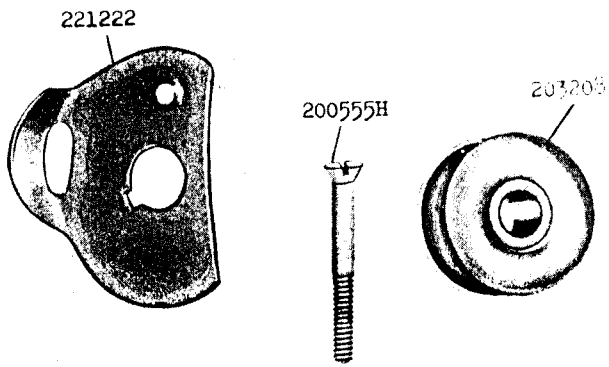
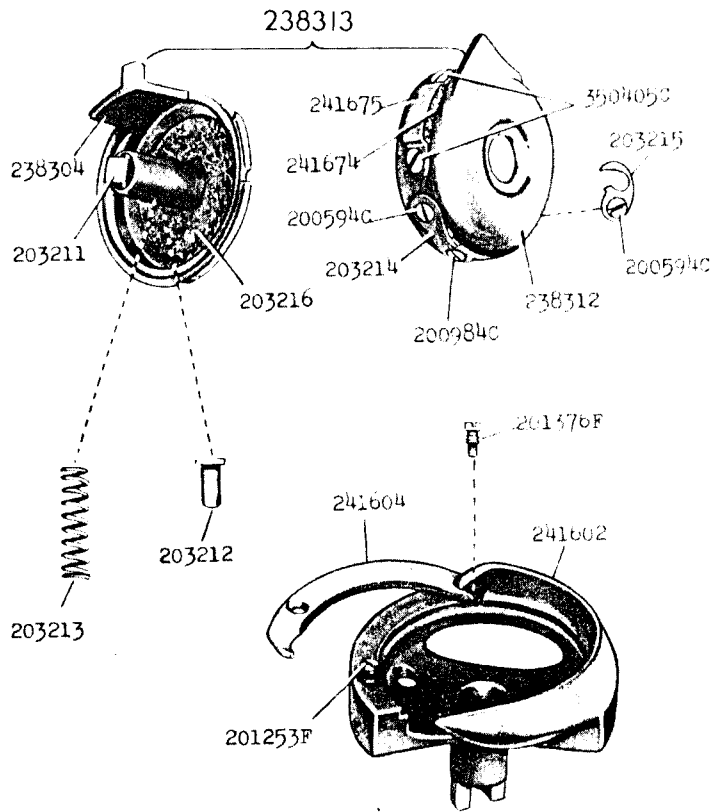
15741 - 1/3

249283

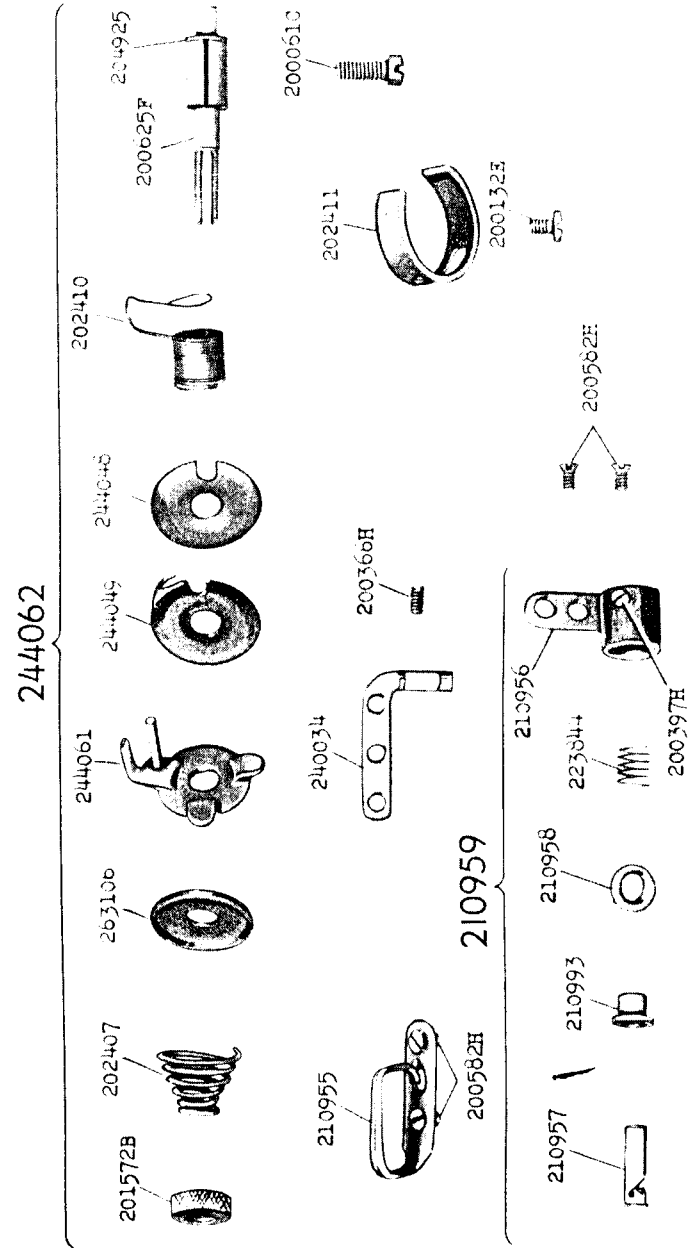


2674926

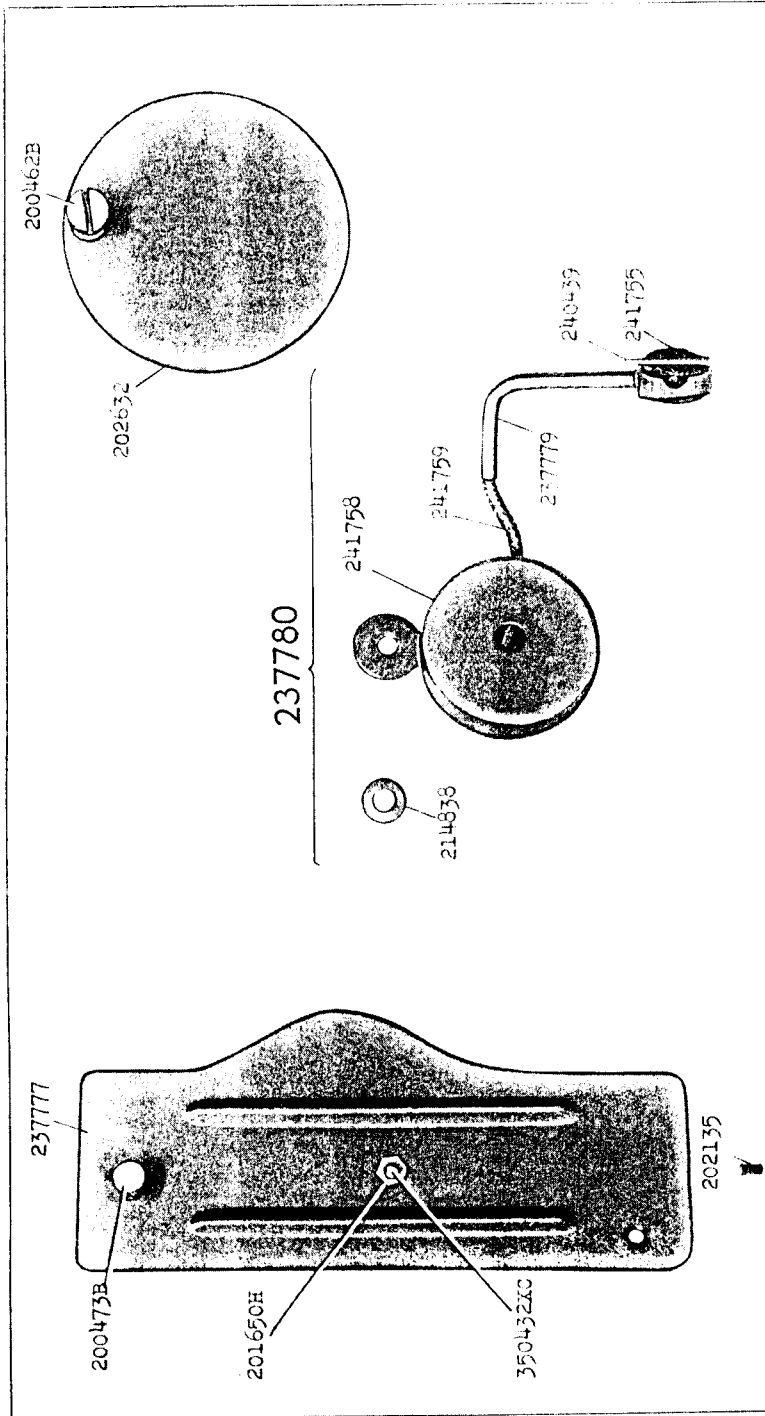
15743
249095



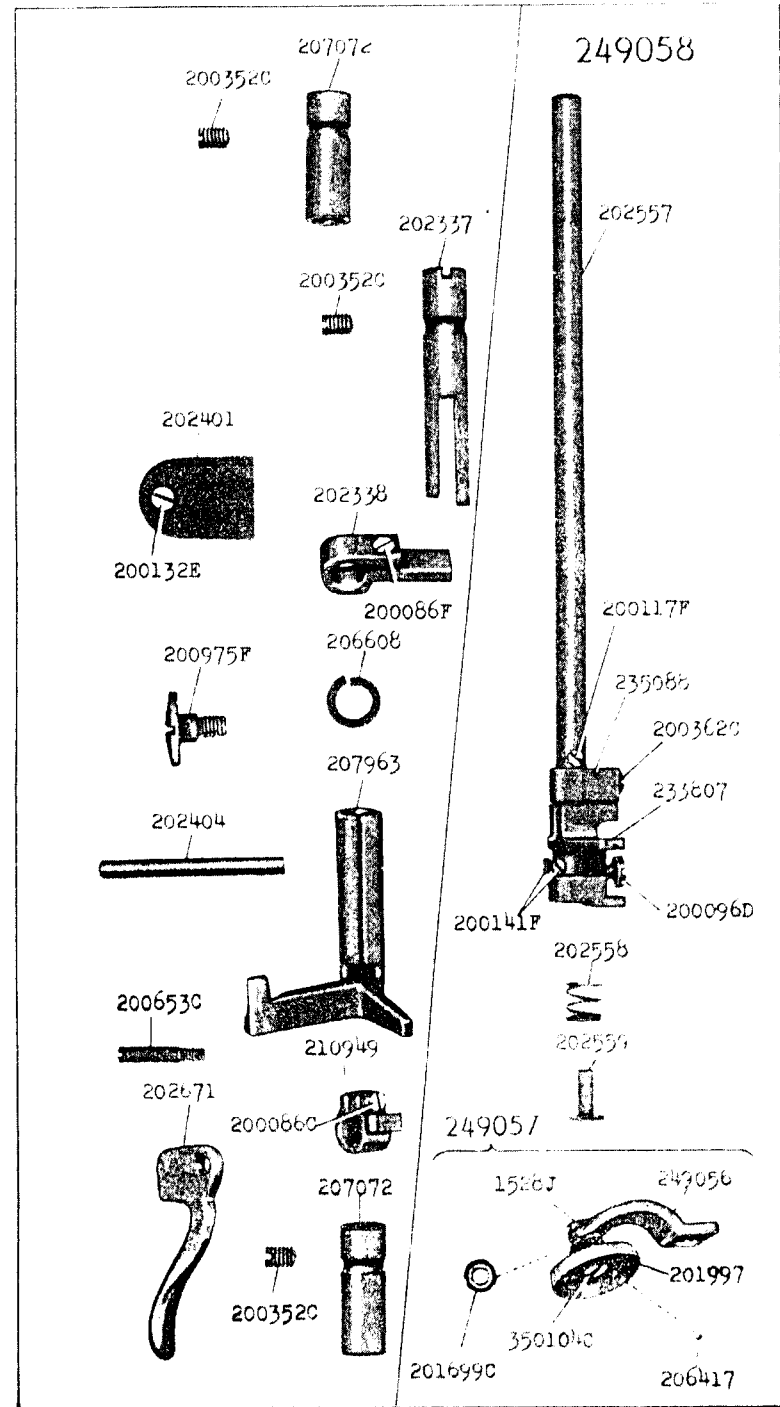
15744 - 2/3



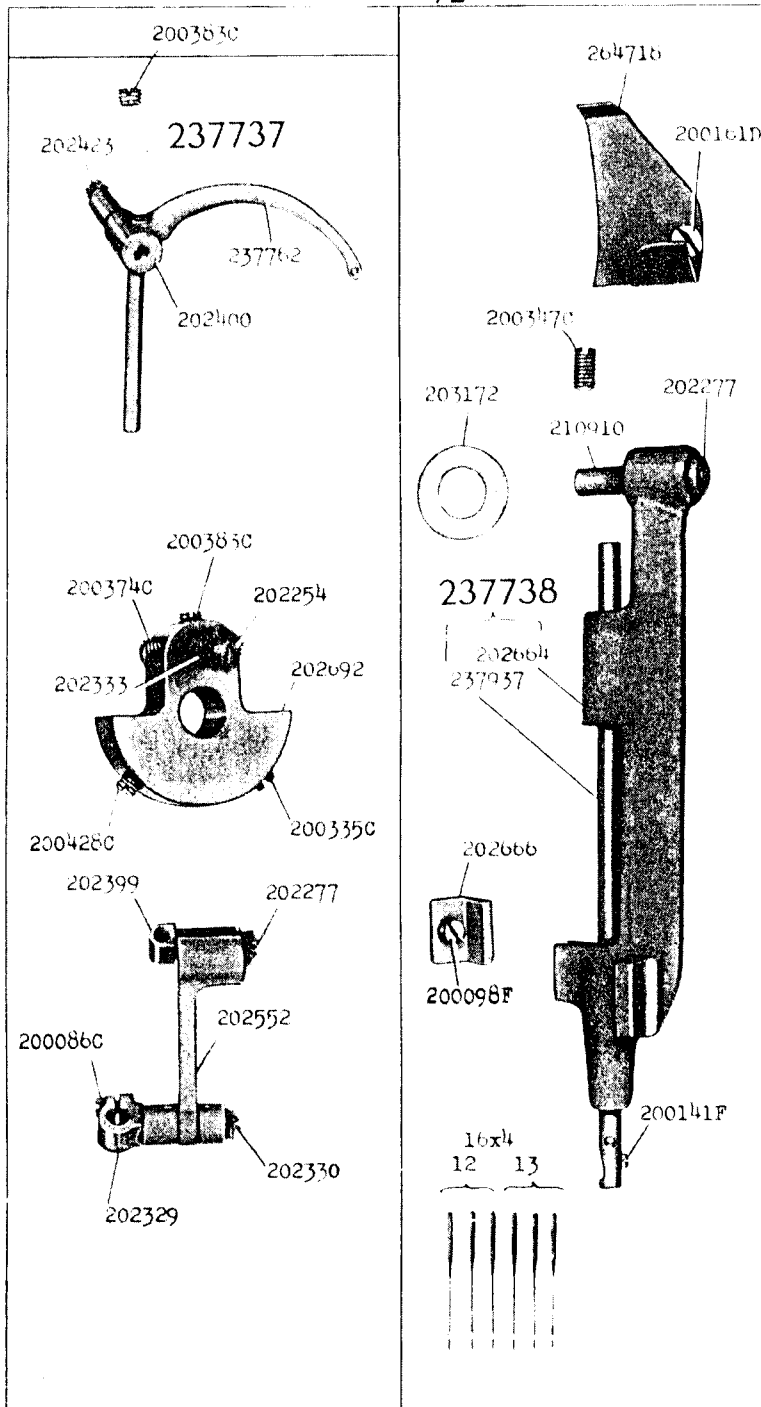
15745 - 1/2



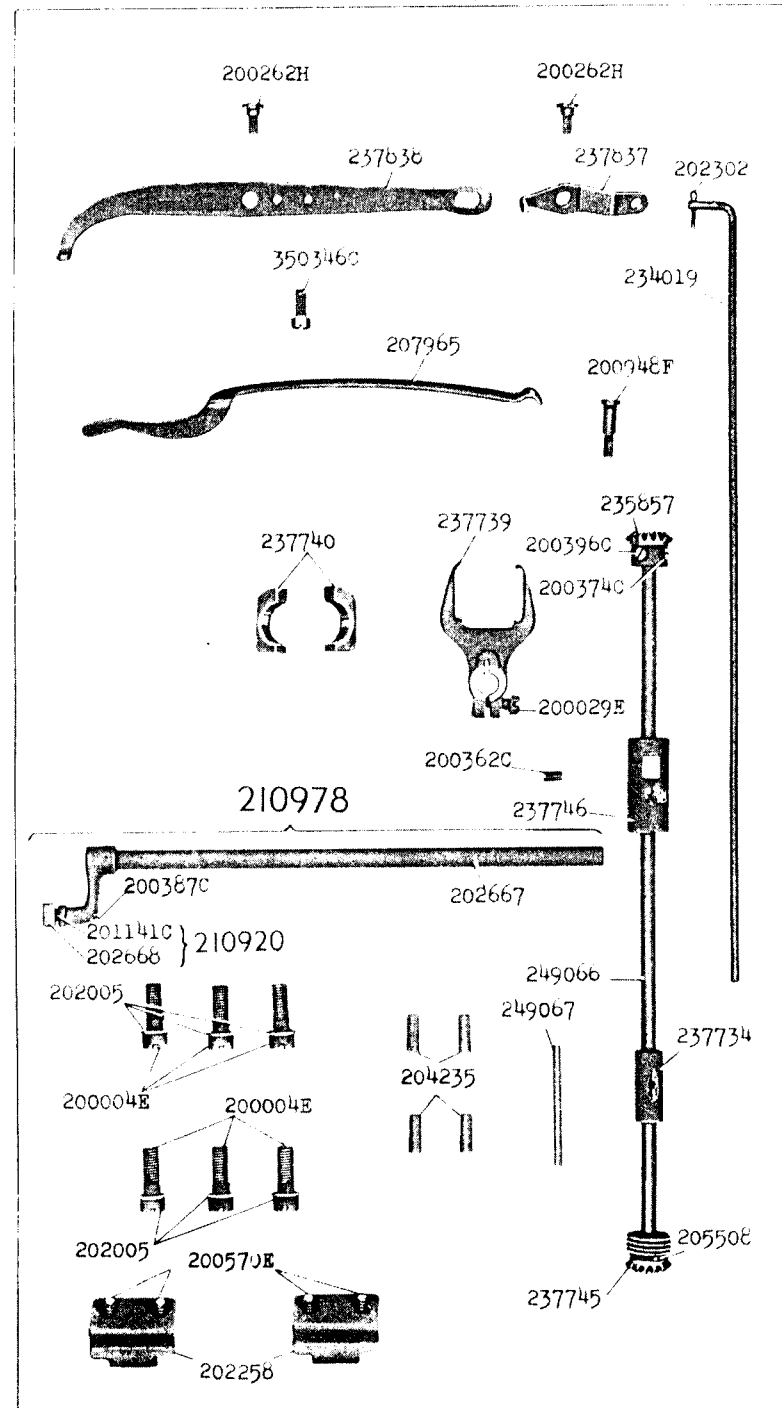
15746 - 1/2



15747 - 1/2

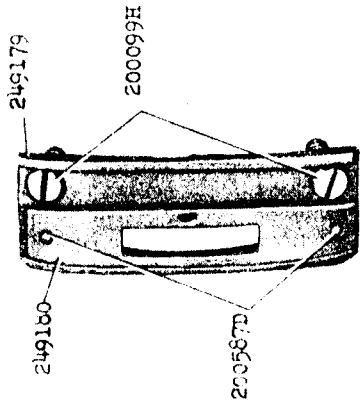


15748 - 1/4

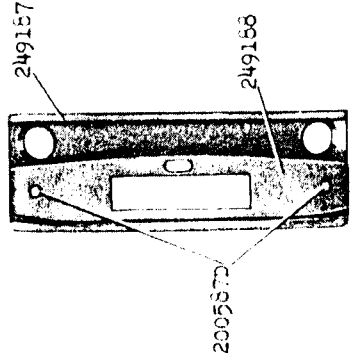


15749

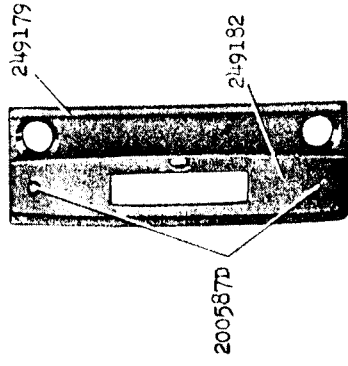
249181 .045



249189 .045

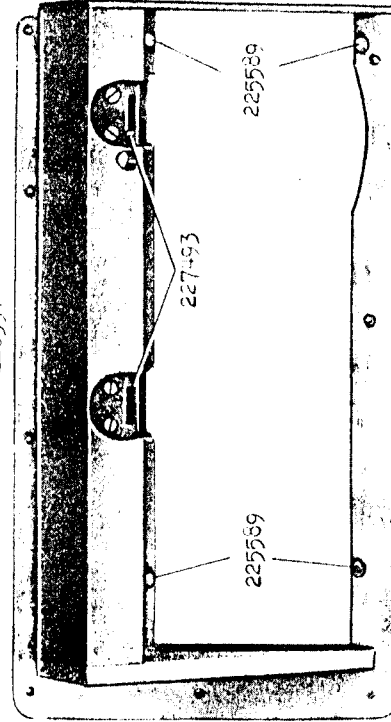


249183 .035

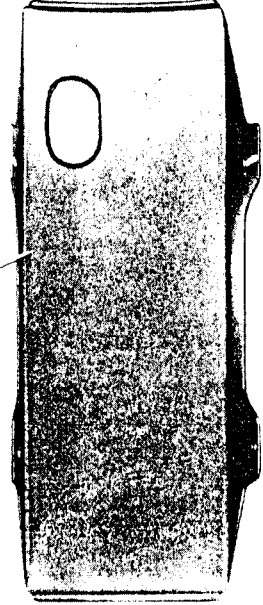


15751 - 1/6

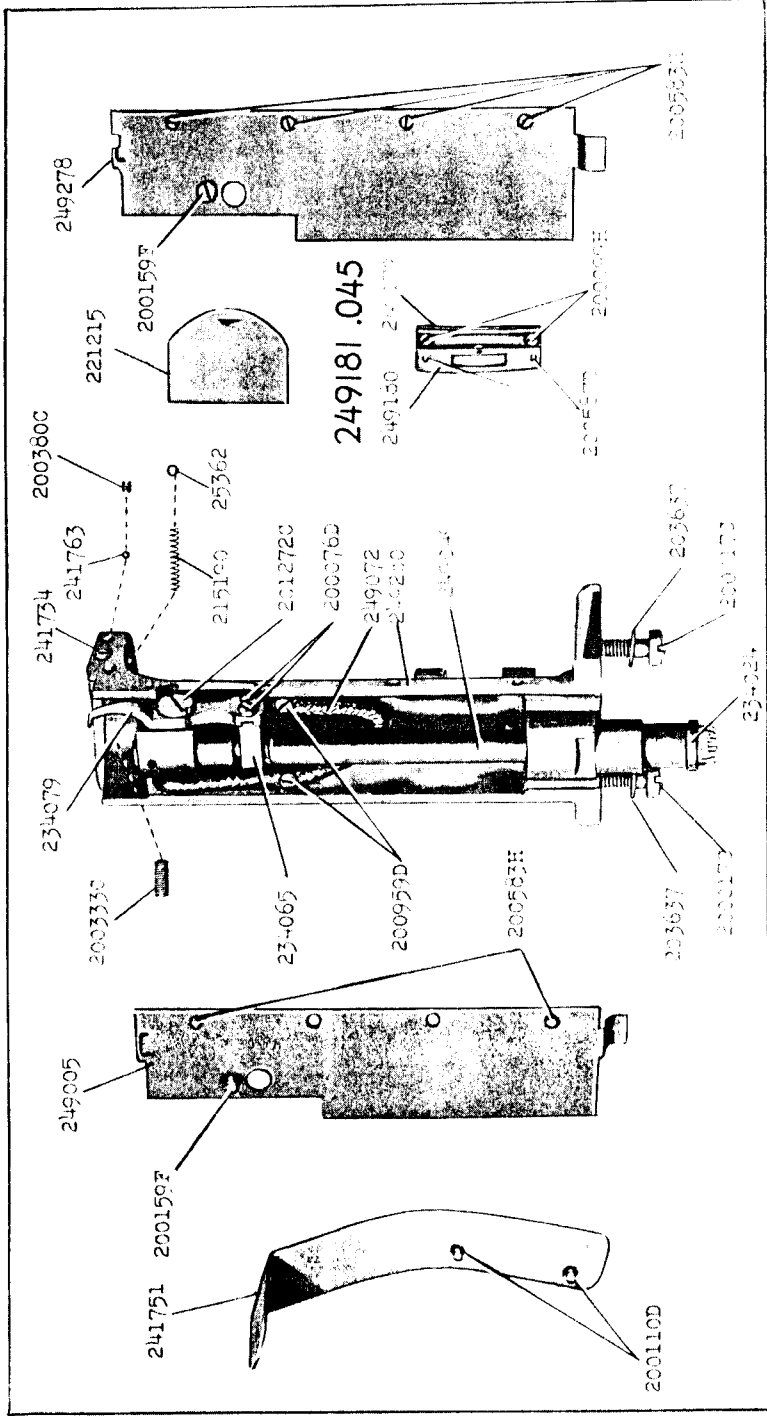
225357



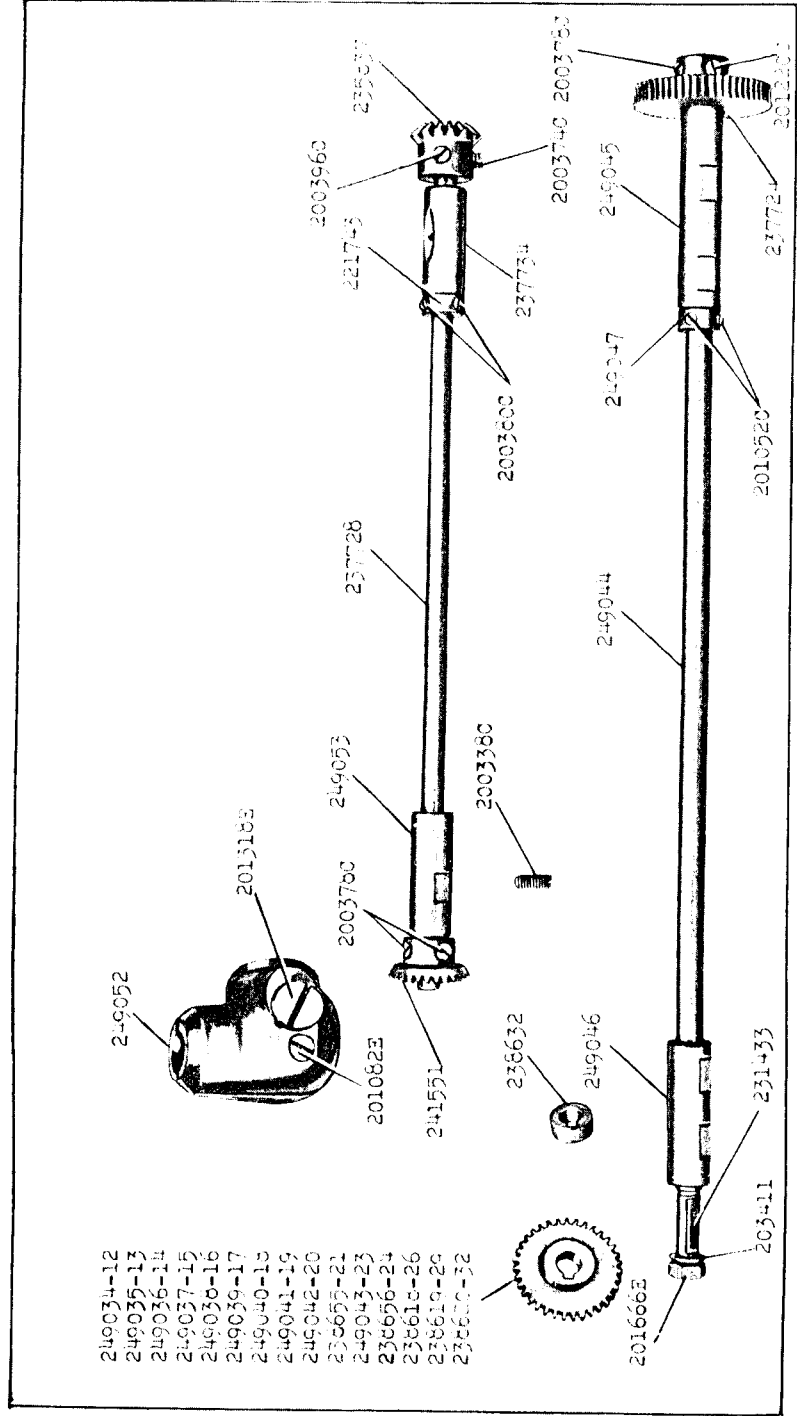
225208



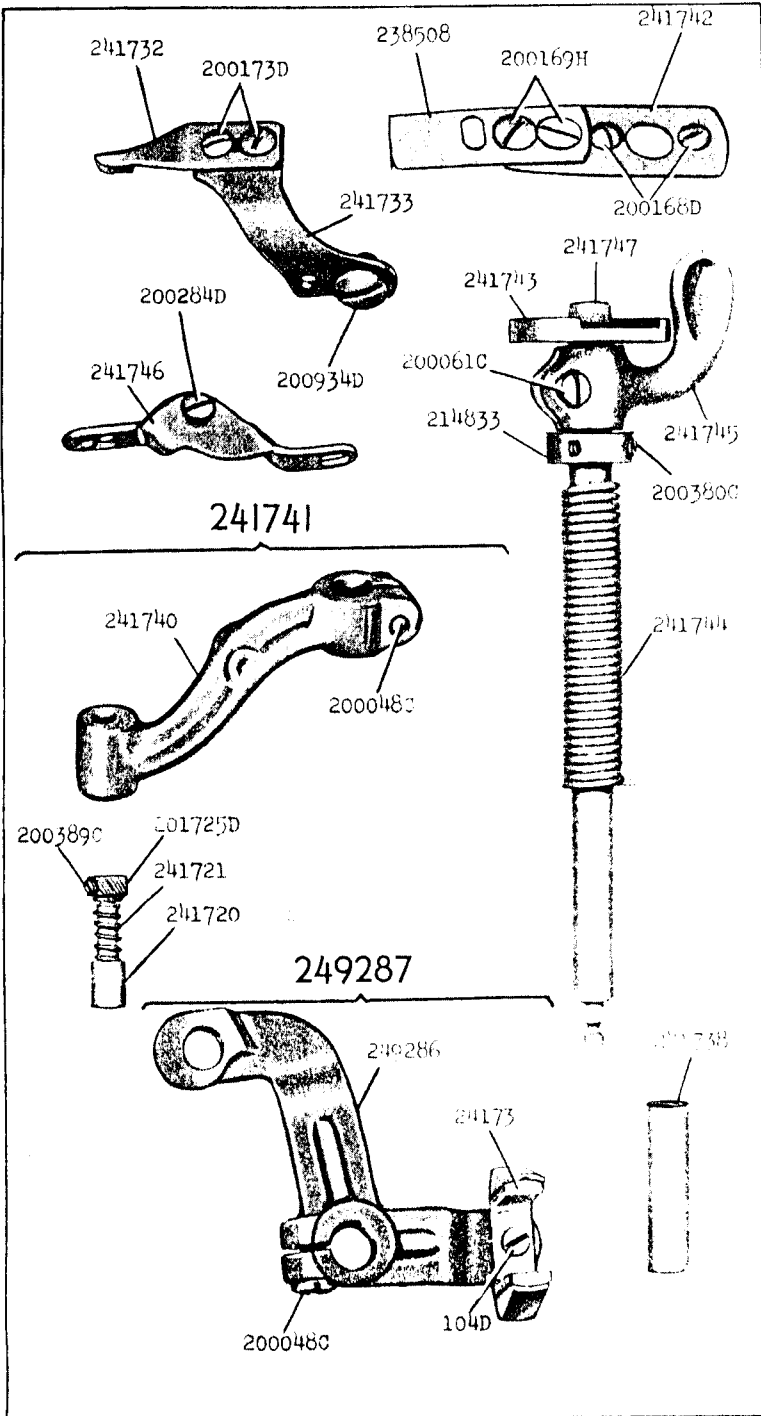
15752 - 3/8



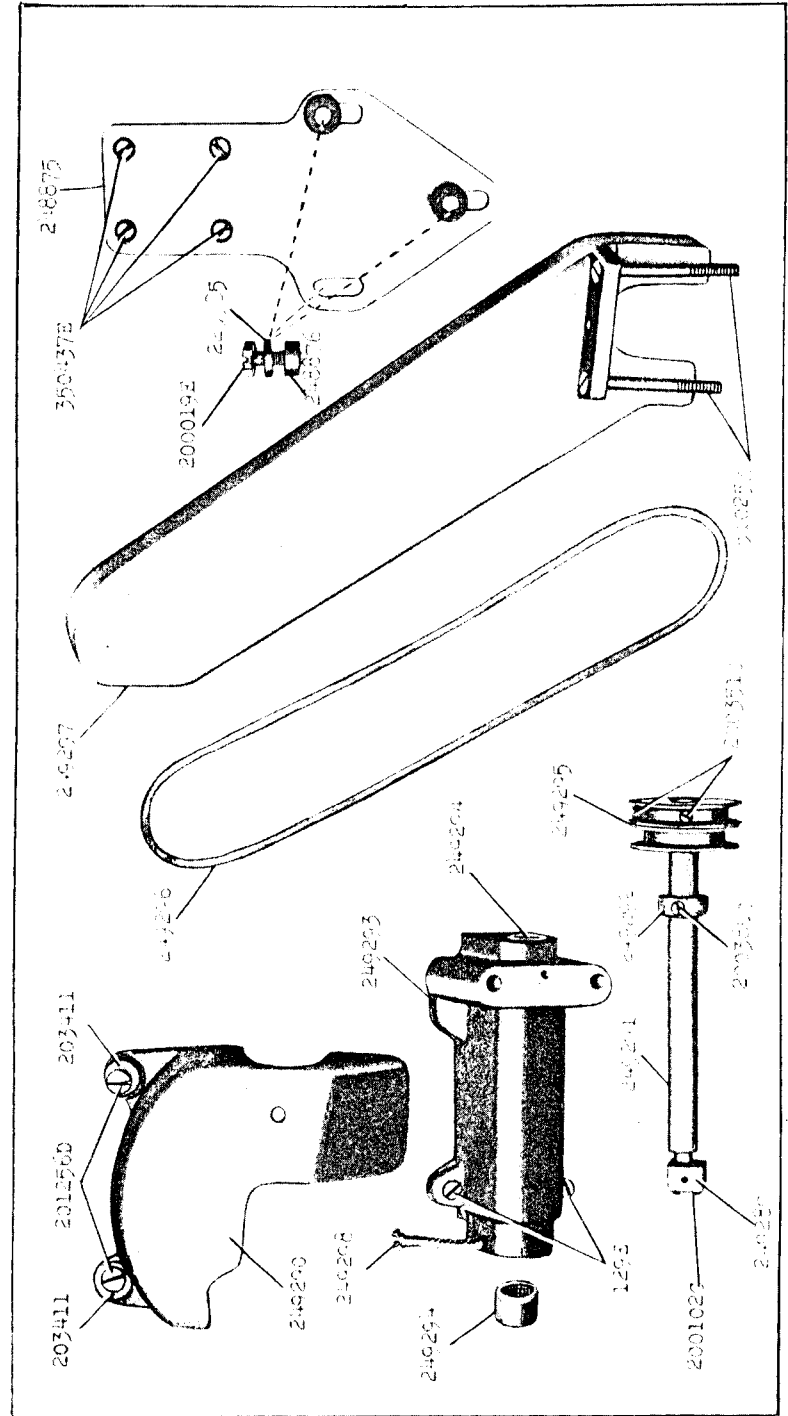
15753 - 3/8



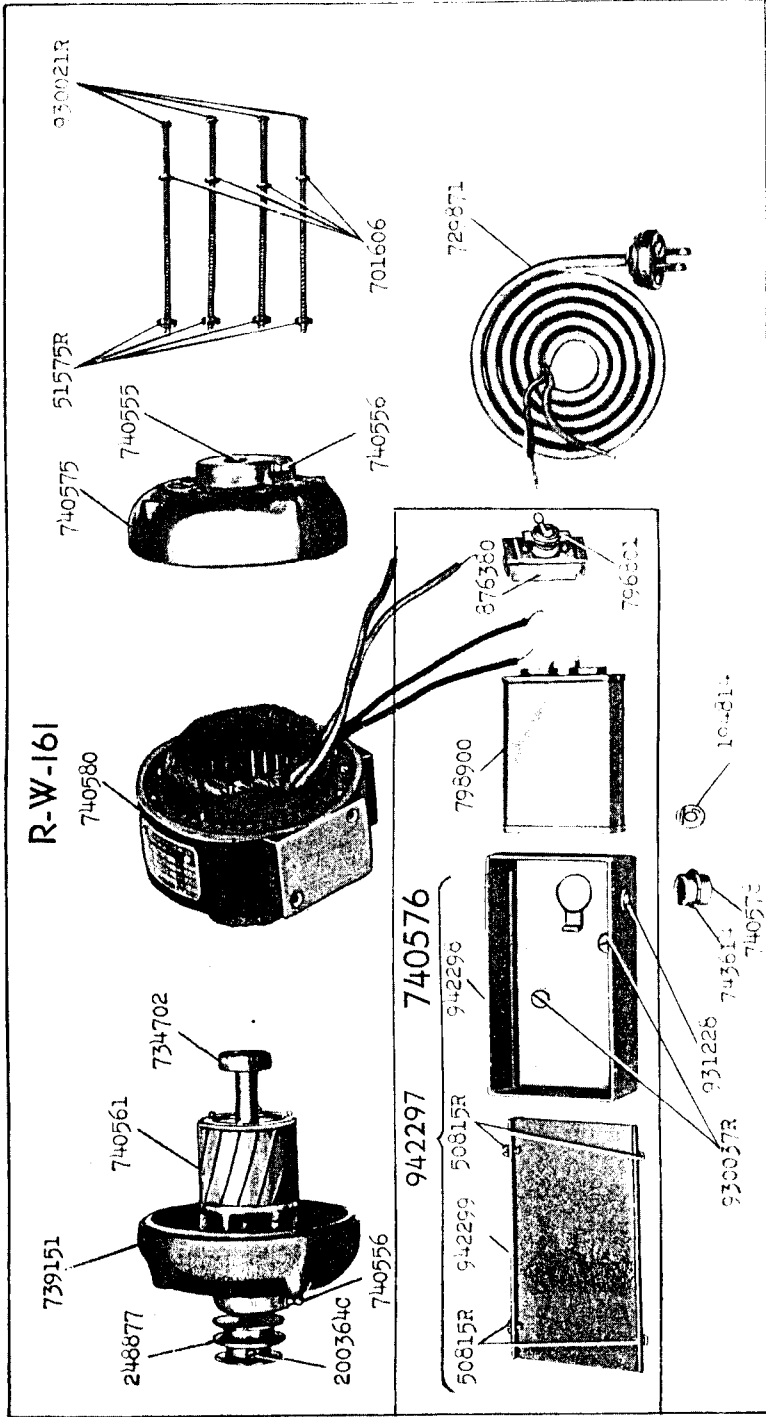
15754 - 5/8



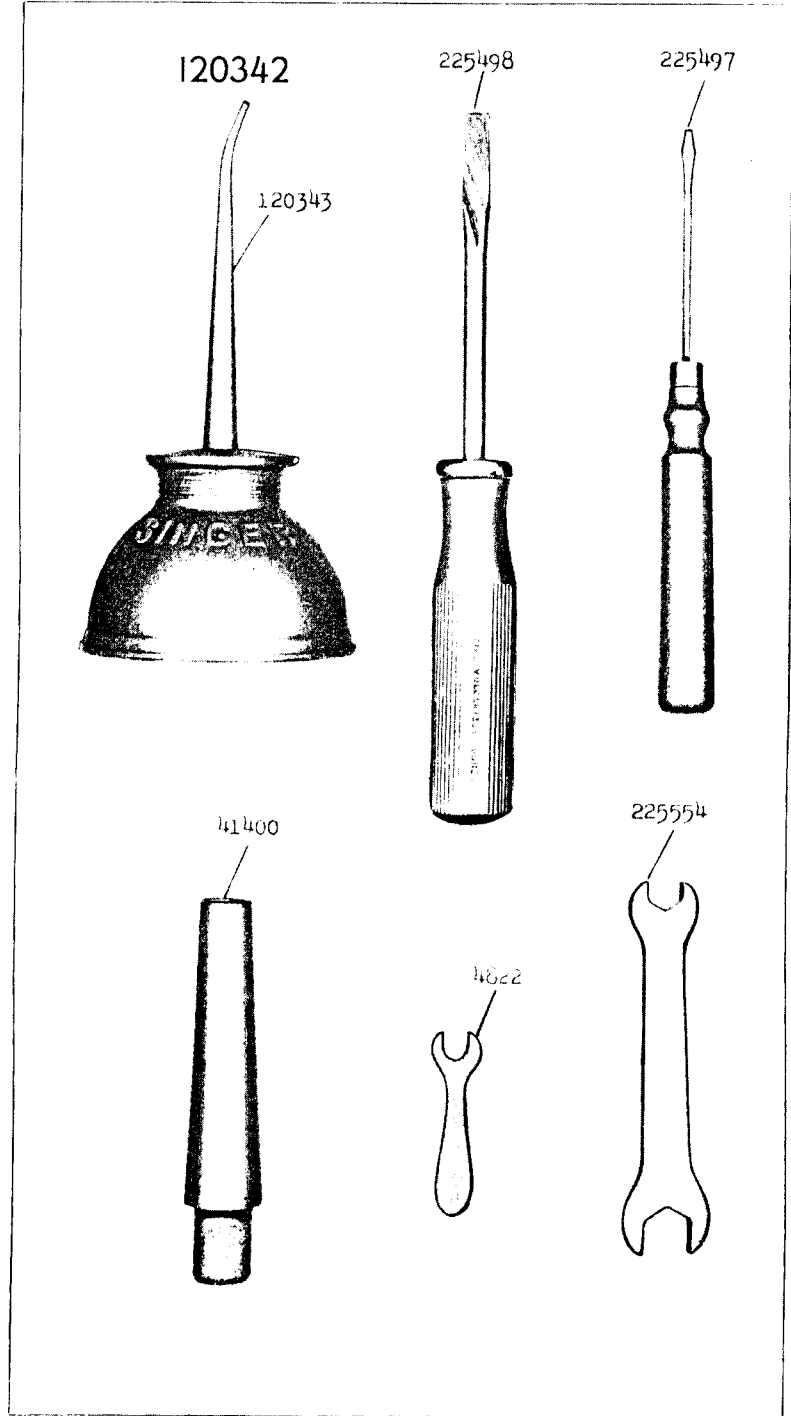
15755 - 1/3



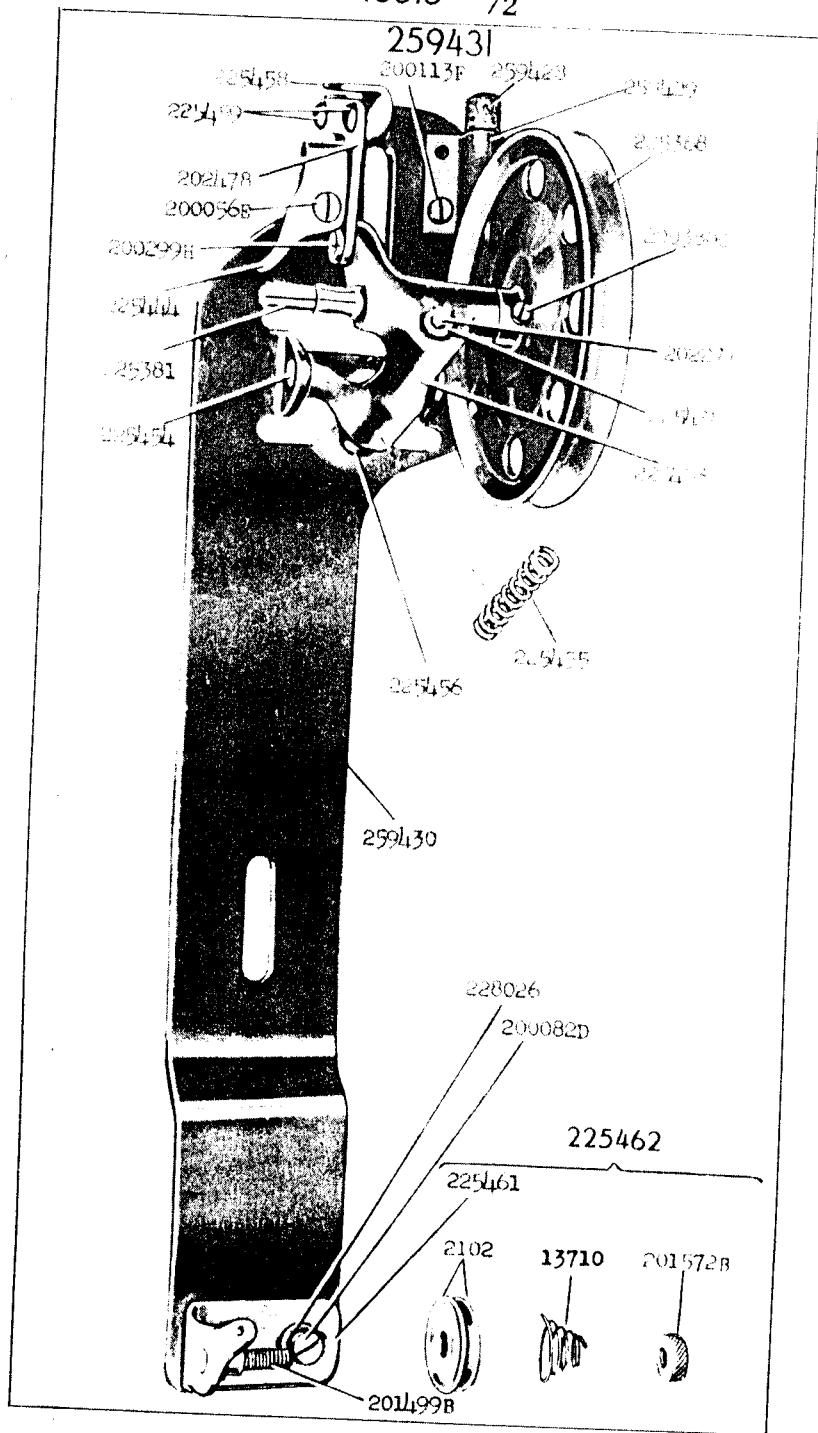
15756 - 1/4



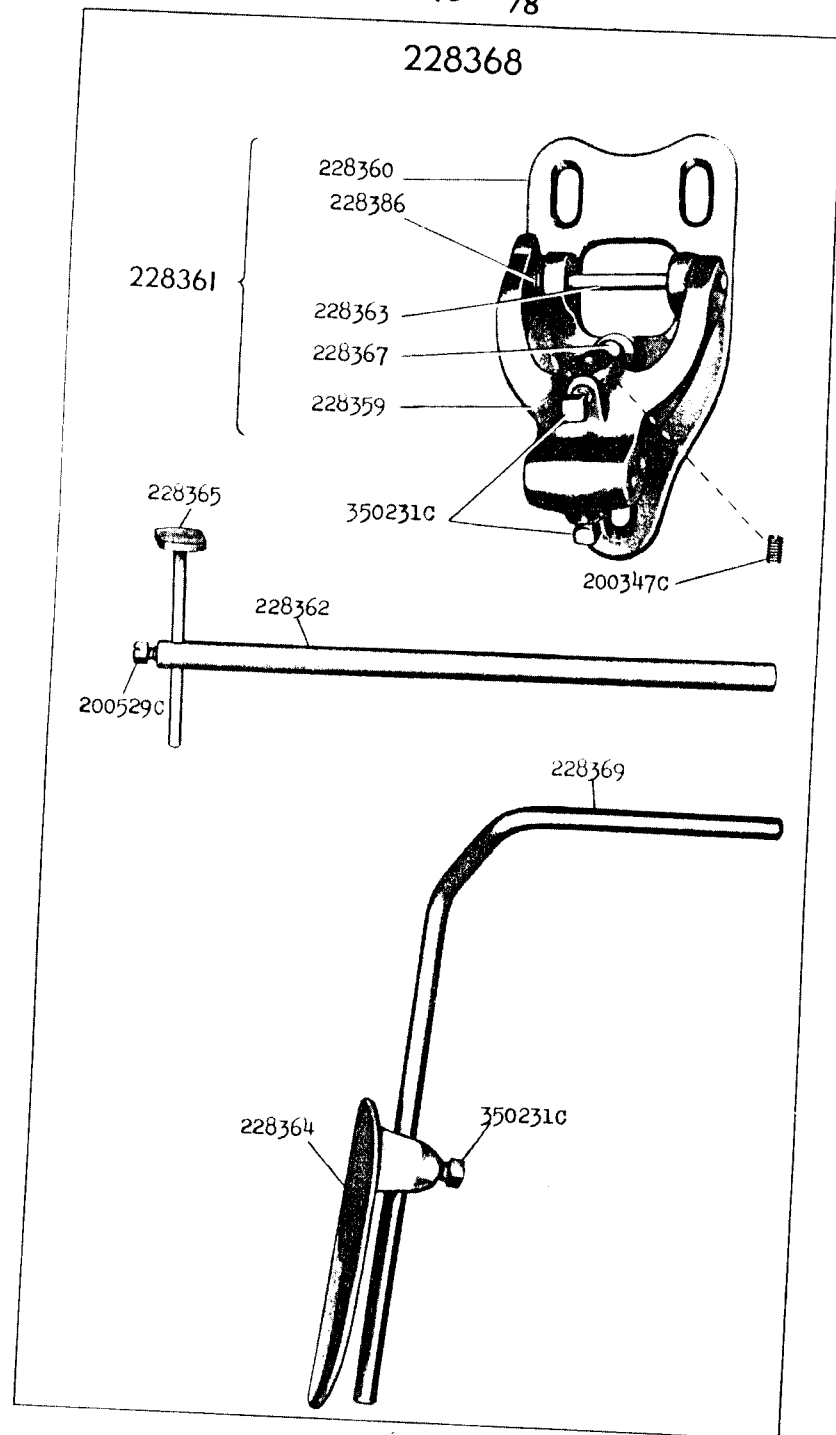
15757 - 1/2



16615 - 1/2



16643 - 3/8



17640 - 1/3

259283

