

Form 19059, Revised

(241)

Printed in U. S. A.

LIST OF PARTS



MACHINES
Nos. 147-80 and 147-81

THE SINGER MANUFACTURING COMPANY

INSTRUCTIONS FOR OILING

These machines are equipped with an oiling system which automatically delivers the proper amount of oil to the principal bearings of the machine.

Oil in a reservoir in the arm is picked up by a scoop in the connecting rod and lubricates the various bearings inside the arm by splash. A cup within the arm catches some of this oil, and connecting pipes and wicks distribute it to the principal bearings outside the arm.

IN ORDER THAT THIS SYSTEM MAY OPERATE, IT IS ABSOLUTELY NECESSARY THAT THE OILING INSTRUCTIONS GIVEN IN FORM 18987, Instruction Book for these Machines, be followed to the letter.

Use only Singer "Stainless Oil for High Speed Sewing Machines".

INDEX

	Page
Accessories.....	16
Belt Guard.....	16
Bench Stand.....	16
Foot Lifter Parts.....	16
Knee Lifter Parts.....	17
Machine Base.....	17
Machine Base Oil Drain Jar.....	18
Machine No. 147-80.....	5
Machine No. 147-81.....	15
Numerical List of Parts.....	21
Strip Folder For Facing Sleeves on Shirts for 147-81 Machine.....	18
Thread Unwinder.....	19

Copyright, U. S. A., 1936, 1938, 1940 and 1941

by The Singer Manufacturing Co.

All Rights Reserved for all Countries

In ordering from this list, use ONLY the part NUMBER in the FIRST column.

The number stamped on a Sewing Machine Part is in every case the number of the single part only.

Every combination of parts sent out as such has its specific number, which, although not stamped on the parts, must be used when ordering the combination.

Each number always indicates the SAME PART in whatever list it appears, or for whatever machine.

The letters after some of the numbers indicate the style of finish only, as follows:

- A-Hardened, Polished, Nickel Plated and Buffed
- A.A-Buffed and Chromium Plated
- A.B-Hardened, Polished, Buffed and Chromium Plated
- A.C-Brown Baking Enamel Finish
- A.D-Gray Baking Enamel Finish
- A.E-Hardened, Bright Rumbled and Nickel Plated
- A.F-Hardened, Bright Rumbled, Nickel Plated, Bright Rumbled and Chromium Plated
- B-Polished, Nickel Plated and Buffed
- C-Hardened Only
- C.R-Hardened and Merlized
- D-Polished Only
- E-Soft, Not Polished
- F-Hardened and Polished
- F.J-Hardened, Polished and Nickel Plated
- G-Bright Rumbled and Nickel Plated
- H-Blued
- J-Nickel Plated Only
- K-Hardened and Nickel Plated
- L-Brass Plated
- M-Oxidized
- N-Japanned, Dull
- P-Japanned, Bright
- P.P-Wrinkle Finish
- R-Merlized
- S-Cadmium Plated
- T-Copper Plated
- T.A-Hardened, Polished, Copper and Nickel Plated and Buffed
- T.B-Copper and Nickel Plated and Polished
- T.J-Copper and Nickel Plated Only
- T.K-Hardened, Copper and Nickel Plated
- T.L-Copper and Brass Plated
- T.M-Copper Plated and Oxidized
- U-Zinc Plated
- V-Silver Plated
- W-Polished and Nickel Plated
- X-Black Oxide, for Iron and Steel
- X.C-Hardened and Black Oxide, for Iron or Steel
- Y-Black Nickel Plated Only
- Z-Chromium Plated
- Z.A-Hardened, Polished, Nickel Plated, Buffed and Chromium Plated
- Z.B-Polished, Nickel Plated, Buffed and Chromium Plated
- Z.C-Hardened and Chromium Plated
- Z.D-Polished and Chromium Plated
- Z.G-Bright Rumbled, Nickel Plated, Bright Rumbled and Chromium Plated
- Z.J-Nickel and Chromium Plated
- Z.T-Copper and Chromium Plated

These letters MUST BE USED when they appear in the list; and AFTER the number as in the list.

In this series:

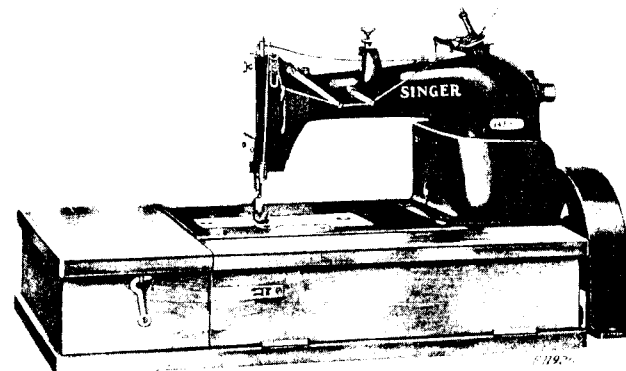
- 1 to 1500, 50001 to 51500 and 140001 to 142000 are Screw Numbers
- 1501 to 1800 and 51501 to 51800 are Nut Numbers
- 1801 to 2000 and 51801 to 52000 are Roller Numbers
- 2001 to 50000 and 52001 to 140000 and 142001 to 190000 are Sewing Machine Parts, 190001 and upward are numbers of Electrical Parts.

The figures in the second column refer only to the plates, illustrating the parts, and are NOT TO BE USED in ordering.

Parts marked with an asterisk (*) are furnished only when repairs are made at factory.

LIST OF PARTS COMPLETE

FOR



MACHINE No. 147-80

FOR LIGHT WEIGHT FABRICS. ONE NEEDLE, ONE LOOPER. LENGTH OF STITCH 10 TO 25 TO THE INCH. NEEDLE BAR STROKE 1 1/8 INCHES. BALL BEARING. SPEED 4300 R. P. M.

No.	Plate	Name
*131446	-----	Arm, upper and lower (solid) with 948J, 15404, two 15405 and four 131022.....
68428	20688	Arm Bottom Cover.....
68429	20688	" " " Gasket (cork).....
1057AL	20688	" " " Screw (4).....
50608R	20688	" Hole Plug Screw, for access to Crank Connecting Rod (upper bearing).....
139017	20688	Arm Hole Plug Screw Washer.....
68350	20695	" Oil Cup, for oiling Arm Rock Shaft Front Bearing.....
131309	20696	Arm Oil Cup with 131310, for filling oil reservoir.....
131305	20696	Arm Oil Cup Drip Pan with two 563AL.....
563AL	20696	" " " " " Position Screw (2).
131319	20695	" " " Oil Pad (braided cotton) for 68350.....

No.	Plate	Name
131310	-----	Arm Oil Cup Oil Tube.....
131293	20695	" Rock Shaft.....
131474	-----	" " " 131293 with 1235F, 127838 and 131475.....
1309C	20695	Arm Rock Shaft Adjusting Screw.....
131056	20695	" " " " Washer...
68433	20695	" " " Bushing (back).....
68435	20695	" " " " " Cap.....
131095	20695	" " " " " Washer (fibre).....
446AL	20695	Arm Rock Shaft Bushing (back) Set Screw
68436	20695	" " " " (intermediate)...
423AL	20695	" " " " " Set Screw.....
131343	20696	Arm Rock Shaft Crank, back (ball bearing, solid) with two 50083AL.....
50083AL	20696	Arm Rock Shaft Crank (back) Set Screw (2).....
131475	20695	Arm Rock Shaft Crank (front) with 853AL
127838	20695	" " " " Pin.....
131456	20695	" " " Flanged Bushing (front)..
453AL	20695	" " " " " Set Screw.....
42365	20695	Arm Rock Shaft Oil Pad (braided cotton) for oiling Back Bearing.....
54969	20695	Arm Rock Shaft Oil Pad (braided cotton) for oiling Intermediate Bearing....
1235F	20695	Arm Rock Shaft Oil Plug Screw.....
131476	20696	" Rotary Shaft.....
Note: When No. 131476 is required for repairs, the Looper Driving Shaft and Feed Lifting Eccentric must be returned to the factory to be adjusted to the new part.		
131477	-----	Arm Rotary Shaft 131476 with 640E,68482, 131484 and 131502.....
131366	20696	Arm Rotary Shaft Ball Bearing (back) (2)
131478	20696	" " " " " Case
131479	-----	" " " " " " " 131478 with 131369 and three 205C...
131526	-----	Arm Rotary Shaft Ball Bearing (back) Case with Ball Bearings complete, Nos. 131479, 131480 and two 131366..
131369	20696	Arm Rotary Shaft Ball Bearing (back) Case Cap.....
205C	20696	Arm Rotary Shaft Ball Bearing (back) Case Cap Screw (3).....
131370	20696	Arm Rotary Shaft Ball Bearing (back) Case Position Stud (3).....
429C	20696	Arm Rotary Shaft Ball Bearing (back) Case Set Screw.....

No.	Plate	Name
131480	20696	Arm Rotary Shaft Ball Bearing (back) Spacing Collar.....
131366	20696	Arm Rotary Shaft Ball Bearing (inter- mediate).....
131481	20696	Arm Rotary Shaft Ball Bearing (inter- mediate) Case.....
1304C	20696	Arm Rotary Shaft Ball Bearing (inter- mediate) Case Set Screw.....
131482	20696	Arm Rotary Shaft Ball Bearing (inter- mediate) Collar with two 457AL.....
457AL	20696	Arm Rotary Shaft Ball Bearing (inter- mediate) Collar Set Screw (2).....
131457	20696	Arm Rotary Shaft Bushing (front).....
761E	20696	" " " " " Set Screw
42367	20696	" " " Front Bearing Oil Pad, lower (braided cotton).....
54218	20696	Arm Rotary Shaft Front Bearing Oil Pad, upper (braided cotton).....
144D	20696	Arm Rotary Shaft Screw.....
131276	20688	" Side Cover (oil vent).....
131277	20688	" " " Cap.....
131280	20688	" " " " Position Pin.....
51224W	20688	" " " " Thumb Screw.....
131278	20688	Arm Side Cover (oil vent) complete, Nos. 51224W, 131276, 131277 and 131280...
68448	20688	Arm Side Cover Gasket (victorite).....
1057AL	20688	" " " Screw (4).....
131483	20696	Balance Wheel, 2 in. pulley, with two 51283AL, for round belt.....
131710	-----	Balance Wheel "V" belt groove, with two 51283AL.....
128510	20696	Balance Wheel Cover.....
51283AL	20696	" " Set Screw (2).....
131374	20704	Cloth Plate.....
68368	20704	" " Slide (left).....
131050	20704	" " " " Spring.....
725J	20704	" " " " " Screw (2)
131051	20704	Cloth Plate Slide (left) complete, Nos. 68368, 131050 and two 725J.....
131375	20704	Cloth Plate Slide (right).....
131381	20704	" " " " Spring.....
725J	20704	" " " " " Screw (2)
131382	20704	Cloth Plate Slide (right) complete, Nos. 131375, 131381 and two 725J.....
131388	20704	Cloth Plate complete, for Throat Plate No. 38486, Nos. 131051, 131374 and 131382.....
1011F	20704	Cloth Plate Screw (left) (2).....

No.	Plate	Name
761E	20696	Looper Driving Shaft and Feed Lifting Eccentric Bushing Position Screw....
68497	-----	Looper Driving Shaft and Feed Lifting Eccentric Front Bearing Oil Pad (wick).....
640E	20696	Looper Driving Shaft and Feed Lifting Eccentric Screw.....
54035	20698	Looper Holder with 1120C.....
51119J	20698	" " Screw.....
131135	20707	" Needle Guard with 46105.....
46105	20707	" " " Pin.....
229J	20707	" " " Screw.....
1120C	20698	" Set Screw.....
68485	20698	" Throw-out Handle with two 443AL..
68486	20698	" " " Plunger.....
43503	20698	" " " Spring..
443AL	20698	" " " Set Screw (2)...
131490	20700	Needle Bar (hollow) with 857AL.....
131291	20700	" " Bushing (lower).....
1133AL	20700	" " " " Set Screw....
64320	20700	" " " (upper).....
1133AL	20700	" " " " Set Screw....
68488	20700	" " Connecting Link and Thread (upper) Controller.....
131491	-----	Needle Bar Connecting Link and Thread (upper) Controller 68488 with 68489 and 131492.....
68489	20700	Needle Bar Connecting Link Hinge Stud (hollow).....
1520J	20700	Needle Bar Connecting Link Hinge Stud Nut.....
131270	20700	Needle Bar Connecting Link Hinge Stud Oil Pad (wick).....
861C	20700	Needle Bar Connecting Link Hinge Stud Oil Plug Screw.....
853AL	20695	Needle Bar Connecting Link Hinge Stud Set Screw.....
131492	20700	Needle Bar Connecting Stud with 1492E...
1492E	20700	" " " " Clamping Screw
131316	20702	" Guard (movable).....
681E3	20702	" " " Clamp.....
131315	20707	" " (stationary).....
54038	20707	" " " Holder.....
176J	20707	" " " " Screw..
217C	20707	" " " Screw.....
857AL	20700	" Set Screw.....
68492	20703	Oil Pipe (back of arm) with 68497, for oiling Feed Rocking Frame Hinge Pin Front Bearing.....
68493	20703	Oil Pipe (back of arm) Clamp.....

No.	Plate	Name
176E	20703	Oil Pipe (back of arm) Clamp Screw.....
68494	20703	" " " " " Connection with 68495 and two 198E, for oiling Feed Rocking Frame Hinge Pin Back Bearing
198E	20703	Oil Pipe (back of arm) Connection Cap Screw (2).....
68495	20703	Oil Pipe (back of arm) Connection Oil Pad (wick).....
68496	20703	Oil Pipe (back of arm) Coupling.....
1733	20703	" " " " " Nut (brass)
68497	20703	" " " " " Oil Pad (wick)...
68498	20703	" " (front of arm) with 131089 and two 1733, for oiling Looper Driving Shaft and Feed Lifting Eccentric Front Bearing.....
131112	20703	Oil Pipe (front of arm) with 68497 and 131003, for oiling Feed Bar Slide Block.....
68500	20703	Oil Pipe (front of arm) with 1733, 131084 and 131089, for oiling Arm Rotary Shaft Front Bearing.....
131113	20703	Oil Pipe (front of arm) with 68497 and 131003, for oiling Feed Connecting Rod.....
131258	-----	Oil Pipe (front of arm) complete, Nos. 68498, 68500, 131112 and 131113.....
131002	20703	Oil Pipe (front of arm) Connection with two 198E, for oiling Looper Throw-out Device.....
131003	20703	Oil Pipe (front of arm) Connection with two 198E, for 131112 and 131113 (2)
131084	20703	Oil Pipe (front of arm) Connection with two 198E, for 68500.....
198E	20703	Oil Pipe (front of arm) Connection Cap Screw (2).....
131004	20703	Oil Pipe (front of arm) Coupling (center).....
131004	20703	Oil Pipe (front of arm) Coupling (left).
131087	20703	" " " " " " (right)
1733	20703	" " " " " " Nut (brass) (3).....
131089	20703	Oil Pipe (front of arm) Oil Pad (wick) for 68498 and 68500 (2).....
68497	20703	Oil Pipe (front of arm) Oil Pad (wick) for 131112 and 131113 (2).....
64330	20700	Presser Bar.....
131006	20700	" " Bushing (lower).....
1133AL	20700	" " " " Set Screw...
38456	20700	" " " (upper).....
1133AL	20700	" " " " Set Screw...

No.	Plate	Name
131401	20700	Presser Bar Lifting Bracket with 453AL..
11173	20700	" " " " Guide.....
453AL	20700	" " " " " Set Screw.....
453AL	20700	Presser Bar Lifting Bracket Set Screw...
131402	20705	" " " " Lever.....
68184	20705	" " " " Extension....
161J	20705	" " " " " Screw (2).....
802D	20705	Presser Bar Lifting Lever Hinge Screw...
131749	20688	Presser Bar Spring.....
131750	20688	" " " " (auxiliary).....
131751	20688	" " " " Screw Stud.....
1637J	20688	" " " " " Lock Nut..
38468	20688	" " " " Stud.....
131830	20688	Presser Bar Spring complete, Nos. 1637J, 51697W and 131749 to 131752.....
26276	20707	Presser Foot Hinge Pin.....
46056	20707	" " Plate.....
46057	20707	" " Shank.....
46058	20707	Presser Foot (hinged) complete, Nos. 26276, 46056 and 46057.....
190J	20707	Presser Foot Screw.....
51697W	20688	Pressure Regulating Thumb Nut.....
131752	20688	" " " " Washer....
131419	20706	Slack Thread Regulator.....
131404	20706	" " " " Holder.....
131405	20706	" " " " " Crank with 171AL.....
1423J	20706	Slack Thread Regulator Holder Crank Cap Screw.....
171AL	20706	Slack Thread Regulator Holder Crank Clamping Screw.....
131406	20706	Slack Thread Regulator Holder Crank Con- necting Link.....
217J	20706	Slack Thread Regulator Screw.....
131012	20705	Tension (under thread) Bracket.....
691F	20705	" " " " " Screw (2)
2102	20705	" " " " Disc (2).....
51570C	20705	" " " " Regulating Thumb Nut.....
50326C	20705	Tension (under thread) Screw Stud.....
59539	-----	" " " " " " 50326C with 51570C.....
131740	20705	Tension (under thread) Spring.....
59537	20705	" " " " " Bushing (large).....
59538	20705	Tension (under thread) Spring Bushing (small).....
131696	20705	Tension (under thread) Thread Guide.....

No.	Plate	Name
54045	20705	Tension (upper thread) Bracket.....
376J	20705	" " " " " Screw....
2102	20705	" " " " Disc (2).....
51570C	20705	" " " " " Regulating Thumb Nut.....
32572	20705	Tension (upper thread) Releasing Disc...
54988	20705	" " " " " Pin....
54046	20705	" " " " " Shaft..
54047	20705	" " " " " " "
54048	20705	Crank with 624AL..... Tension (upper thread) Releasing Shaft Crank Link.....
624AL	20705	Tension (upper thread) Releasing Shaft Crank Set Screw.....
68261	20705	Tension (upper thread) Releasing Shaft Spring.....
131011	20705	Tension (upper thread) Releasing Shaft Spring Position Plate.....
316C	20705	Tension (upper thread) Releasing Shaft Stop Screw.....
1547J	20705	Tension (upper thread) Releasing Shaft Stop Screw Nut.....
50326C	20705	Tension (upper thread) Screw Stud.....
59539	-----	" " " " " " 50326C with 51570C.....
131741	20705	Tension (upper thread) Spring.....
59537	20705	" " " " " Bushing (large).....
59538	20705	Tension (upper thread) Spring Bushing (small).....
131696	20705	Tension (upper thread) Thread Guide.....
53225	20705	Thread (under) Eyelet (back).....
190J	20705	" " " " " Screw.....
131407	20696	" " " " Take-up with 1258AL.....
131408	20696	" " " " " Oil Guard.....
50438J	20696	" " " " " " Screw..
1258AL	20696	" " " " " Set Screw.....
131409	20696	" " " " " Stripper.....
54242	20696	" " " " " Clamp...
190J	20696	" " " " " " " Screw.....
131410	20696	Thread (under) Take-up Stripper Plate...
131411	20696	" " " " " " " Bracket.....
131420	20696	Thread (under) Take-up Stripper Plate Bracket 131411 with 32062, 50438J, 54242, 131408 to 131410, 131413, 131421, 131422, two each 207J, 7071, 50470J and four 190J.....
965D	20696	Thread (under) Take-up Stripper Plate Bracket Screw.....

No.	Plate	Name
190J	20696	Thread (under) Take-up Stripper Plate Screw (3).....
32062	20696	Thread (under) Take-up Stripper Washer..
131413	20696	" " " Thread Guard (fibre).....
50470J	20696	Thread (under) Take-up Thread Guard Screw (2).....
131421	20696	Thread (under) Take-up Thread Guide (left).....
207J	20696	Thread (under) Take-up Thread Guide (left) Screw.....
7071	20696	Thread (under) Take-up Thread Guide (left) Screw Washer.....
131422	20696	Thread (under) Take-up Thread Guide (right).....
207J	20696	Thread (under) Take-up Thread Guide (right) Screw.....
7071	20696	Thread (under) Take-up Thread Guide (right) Screw Washer.....
131493	20706	Thread (upper) Eyelet.....
190J	20706	" " " Screw.....
131494	20706	" " Take-up with 223J.....
223J	20706	" " " Clamping Screw...
131495	20706	" " " (auxiliary).....
131496	20706	" " " " Clamp
997J	20706	" " " " " "
		Screw.....
38486	20707	Throat Plate for 54177.....
46059	20708	" " " 131544 and 131545.....
742F	20707	" " Screw (2).....
*15404	-----	Trade Mark.....
15405	-----	" " Rivet (2).....

MACHINE No. 147-81

FOR MEDIUM WEIGHT FABRICS. ONE NEEDLE,
ONE LOOPER. LENGTH OF STITCH 7 TO 25 TO
THE INCH. NEEDLE BAR STROKE $1\frac{7}{32}$ INCHES.
BALL BEARING. SPEED 4000 R. P. M.

NOTE: THIS MACHINE IS THE SAME AS THE 147-80
MACHINE, WITH THE FOLLOWING EXCEPTIONS:

No.	Plate	Name
131072	20697	Arm Rock Shaft Crank, back (ball bearing, solid) with two 50083AL, in place of 131343.....
131485	-----	Arm Rotary Shaft 131476 with 640E, 68459, 131111 and 131502, in place of 131477.....
68459	-----	Crank Connecting Rod 131471 with 131072, in place of 131484.....
*131110	20699	Looper Driving Shaft and Feed Lifting Eccentric, in place of 68481.....
		Note: When No. 131110 is required for repairs, the Arm Rotary Shaft must be returned to the factory to be adjusted to the new part.
*131111	-----	Looper Driving Shaft and Feed Lifting Eccentric 131110 with 54027, 54227, 54228 and 68479, in place of 68482..
54036	20701	Needle Bar (hollow) with 857AL, in place of 131490.....
131399	-----	Needle Bar Connecting Link and Thread (upper) Controller 68488 with 68489 and 131400, in place of 131491.....
131400	20701	Needle Bar Connecting Stud with 211F and 1492E, in place of 131492.....
131025	20709	Slack Thread Controller.....
54242	20709	" " " Clamp.....
190J	20709	" " " " Screw.....
38484	20709	Thread (upper) Eyelet, in place of 131493.....
131332	20709	Thread (upper) Take-up.....
54194	20709	" " " Plate.....
68164	20709	" " " " Spring.....
1449J	20709	" " " " " Screw
131333	20709	Thread (upper) Take-up complete, Nos. 1449J, 54194, 68164 and 131332, in place of 131494.....
211F	20701	Thread (upper) Take-up Set Screw.....

ACCESSORIES

No.	Plate	Name
120344	20691	Oiler (copper plated) with 120345.....
120345	20691	" Spout, 4 1/2 in. long.....
120440	20691	Screw Driver (large).....
121108	20691	" " (small).....
120341	20691	Tweezers (curved).....
4822	20691	Wrench for 1547.....
8908	20691	" " 1520.....

BELT GUARD

No.	Plate	Name
68222	20633	Belt Guard with two wood screws 1 in. No. 12.....

BENCH STAND

No.	Plate	Name
79772	-----	Bench Stand with 27998, two each 41538, 126849, three wood screws 1 1/4 in. No. 12, four each 60656, wood screws 1 1/4 in. No. 10 and sixteen wood screws 5/8 in. No. 7.....
126849	20691	Flap Hinge with four wood screws 3/4 in. No. 7.....
27998	20691	Flap Hook and Eye (brass) with wood screw 1/2 in. No. 5.....
126247	20691	Flush Bolt.....
126248	20691	" " Plate.....
41558	-----	Flush Bolt with Plate complete, Nos. 126247, 126248 and four brass wood screws 5/8 in. No. 4.....
60656	20691	Hinge (4).....

FOOT LIFTER PARTS

No.	Plate	Name
6439	-----	Chain, 36 in. to 45 in., with 56864 and 56865.....

Note: When ordering No. 6439, state length required.

No.	Plate	Name
4879	20633	Chain Connecting Link.....
56864	20691	" Hook (large).....
56865	20691	" " (small).....
126249	20633	Treadle.....
4882	20633	" Shaft.....
126250	20633	" Spring.....
150451	20633	" Stand.....
150452	20633	Treadle complete, Nos. 4879, 4882, 126249, 126250, 150451 and two wood screws 1 in. No. 16 F.H.....

KNEE LIFTER PARTS

No.	Plate	Name
37563	-----	Chain, length 15 in., with 56864 and 56865.....
56864	20691	Chain Hook (large).....
56865	20691	" " (small).....
2763	20633	Rock Shaft.....
12242	20633	" " Hanger with two wood screws 1 in. No. 10 (2).....
6335	20633	Rock Shaft Knee Arm.....
6336	-----	Rock Shaft Knee Arm complete, Nos. 2766, 2767 and 6335.....
2766	20633	Rock Shaft Knee Arm Hub with 356C.....
356C	20633	" " " " " Set Screw.....
2767	20633	" " " " " Plate with 356C.....
356C	20633	" " " " " Set Screw.....
6337	20633	" " " " " Lifting Bracket with two 356C.....
7125	20633	" " " " " Hook.....
356C	20633	" " " " " Set Screw.....
356C	20633	" " " " " Set Screw....
2770	20633	" " " " " Stop Dog with 356C.....
356C	20633	" " " " " Set Screw.....
23767	20633	Rock Shaft complete, Nos. 2763, 2770, 6336, 6337, 7125 and two 12242.....

MACHINE BASE

No.	Plate	Name
131263	21038	Machine Base.....
54477	21038	" " Screw Stud, to fasten base to table (3).....
131205	21038	Machine Base Screw Stud, to position Machine on base (4).....

No.	Plate	Name
51576E	21038	Machine Base Screw Stud Nut (3).....
9842	21038	" " " " Washer (3)..
131022	21038	" " " " Bushing (rubber) (4).....
131279	21038	Machine Cushion (felt) (4).....
131264	21038	Machine Base complete, Nos. 131263, three each 9842, 51576E, 54477 and four each 131265 and 131279.....
131328	21038	Machine Base and Oil Drain Jar (swinging type) complete, Nos. 131264 and 131268.....

MACHINE BASE OIL DRAIN JAR

(SWINGING TYPE)

No.	Plate	Name
131185	21038	Jar (glass).....
131191	21038	" Cap.....
131188	21038	" Clamp.....
131217	-----	" " 131188 with 131189.....
131189	21038	" " Lever.....
1247C	21038	" " " Hinge Screw (2).....
131265	21038	Nipple (long) (2).....
131266	21038	" (short).....
131267	21038	" Elbow (2).....
131268	21038	Machine Base Oil Drain Jar (swinging type) complete, Nos. 131185, 131191, 131217, 131266 and two each 1247C, 131265 and 131267.....

STRIP FOLDER FOR FACING SLEEVES ON SHIRTS

FOR 147-81 MACHINE

No.	Plate	Name
121657	20710	Strip Folder.....
121682	20710	" " Edge Guide.....
227J	20710	" " " " Screw.....
121681	20710	" " Holder.....
1174J	20710	" " " Screw (2).....
121683	20710	Strip Folder complete, Nos. 227J, 121657, 121681 and 121682.....

THREAD UNWINDER

FOR TWO SPOOLS

No.	Plate	Name
225257	20692	Spool Rest (for two spools) with 201018C
150203	20692	" " Cushion (felt) (2).....
225388	20692	" " Rod.....
200383C	20692	" " " Set Screw.....
201018C	20692	" " " Set Screw.....
202490	20692	" Stand with 200383C.....
225391	20692	Thread Guide (2).....
201696J	20692	" " Lock Nut.....
225326	20692	" " Position Cup.....
225324	20692	" " Rod with 208AL and 225322..
208AL	20692	" " " Screw.....
225322	20692	" " " Washer.....
150086	20692	" Separator.....
150060	20692	" " Bracket Arm with 164J and 9525.....
164J	20692	Thread Separator Bracket Arm Clamping Screw.....
9525	20692	Thread Separator Bracket Arm Clamping Screw Washer.....
164J	20692	Thread Separator Bracket Arm Screw.....
9525	20692	" " " " " Washer
150087	-----	Thread Separator complete, Nos. 164J, 9525, 150060 and 150086.....
150088	20692	Thread Unwinder complete, Nos. 150087, 201696J, 202490, 225257, 225324, 225326, 225388, two each 150203, 225391 and three wood screws 7/8 in. No. 12....
27739	20692	Thread Cone (wood) for large cones.....
225390	20692	" " Holder, for inverted cones..

Note: Nos. 27739 and 225390 are used with, but not
included in 150088.

NUMERICAL LIST OF PARTS

NUMERICAL LIST OF PARTS

No.	Plate	Name
144D	20696	Arm Rotary Shaft Screw.....
161J	20705	Presser Bar Lifting Lever Extension Screw (2).....
164J	20692	Thread Unwinder Thread Separator Bracket Arm Clamping Screw for 150060.....
164J	20692	Thread Unwinder Thread Separator Bracket Arm Screw for 150087.....
171AL	20706	Slack Thread Regulator Holder Crank Clamping Screw for 131405.....
175E	20698	Looper Carrier Adjusting Screw for 54027 (2).....
175E	20698	Looper Carrier Driving Cap Screw for 68479 (4).....
176J	20707	Needle Guard (stationary) Holder Screw..
176E	20703	Oil Pipe (back of arm) Clamp Screw.....
190J	20702	Feed Bar Feed Dog Seat Screw for 131731.
190J	20707	Presser Foot Screw.....
190J	20705	Thread (under) Eyelet (back) Screw.....
190J	20696	" " Take-up Stripper Clamp Screw for 131420.....
190J	20696	Thread (under) Take-up Stripper Plate Screw for 131420 (3).....
190J	20706	Thread (upper) Eyelet Screw.....
190J	20709	Slack Thread Controller Clamp Screw for 147-81 Machine.....
198E	20703	Oil Pipe (back of arm) Connection Cap Screw for 68494 (2).....
198E	20703	Oil Pipe (front of arm) Connection Cap Screw for 131002, 131003 and 131004 (2).....
205C	20696	Arm Rotary Shaft Ball Bearing (back) Case Cap Screw for 131479 (3).....
207E	20702	Feed Bar Wearing Plate Screw for 131731 (2).....
207J	20696	Thread (under) Take-up Thread Guide (left) Screw for 131420.....
207J	20696	Thread (under) Take-up Thread Guide (right) Screw for 131420.....
208AL	20692	Thread Unwinder Thread Guide Rod Screw for 225324.....
211F	20701	Thread (upper) Take-up Set Screw for 131400, for 147-81 Machine.....
217J	20696	Feed Eccentric Clamping Washer Screw for 54025 (2).....
217C	20707	Needle Guard Screw.....
217J	20706	Slack Thread Regulator Screw.....

No.	Plate	Name
223J	20706	Thread (upper) Take-up Clamping Screw for 131494, for 147-80.....
227J	20710	Strip Folder Edge Guide Screw for 121683
229J	20707	Looper Needle Guard Screw for 131134....
316C	20705	Tension (upper thread) Releasing Shaft Stop Screw.....
330D	20706	Face Plate (lower half) Screw (2).....
356C	20633	Rock Shaft Knee Arm Hub Set Screw for 2766.....
356C	20633	Rock Shaft Knee Plate Set Screw for 2767.....
356C	20633	Rock Shaft Lifting Bracket Hook Set Screw for 6337.....
356C	20633	Rock Shaft Lifting Bracket Set Screw for 6337.....
356C	20633	Rock Shaft Stop Dog Set Screw for 2770..
376J	20705	Tension (upper thread) Bracket Screw....
389F	20704	Cloth Plate Thread Guard Screw (lower)..
423AL	20695	Arm Rock Shaft Bushing (intermediate) Set Screw.....
429C	20696	Arm Rotary Shaft Ball Bearing (back) Case Set Screw.....
443AL	20698	Looper Throw-out Handle Set Screw for 68485 (2).....
446AL	20695	Arm Rock Shaft Bushing (back) Set Screw.
453AL	20695	" " " Flanged Bushing (front) Set Screw.....
453AL	20702	Feed Rocking Frame Hinge Pin Bushing Set Screw (2).....
453AL	20702	Feed Rocking Frame Hinge Pin Set Screw for 131240 (2).....
453AL	20700	Presser Bar Lifting Bracket Guide Set Screw.....
453AL	20700	Presser Bar Lifting Bracket Set Screw for 131401.....
457AL	20696	Arm Rotary Shaft Ball Bearing (intermediate) Collar Set Screw for 131482 (2).....
460AL	20702	Feed Dog Stop Screw for 131730.....
563AL	20696	Arm Oil Drip Pan Position Screw for 131305 (2).....
624AL	20705	Tension (upper thread) Releasing Shaft Crank Set Screw for 54047.....
640E	20696	Looper Driving Shaft and Feed Lifting Eccentric Screw for 131477 and 131485.....
691F	20705	Tension (under thread) Bracket Screw (2)
725J	20704	Cloth Plate Slide (left) Spring Screw for 131051 (2).....
725J	20704	Cloth Plate Slide (right) Spring Screw for 131382 (2).....

No.	Plate	Name
735AL	20702	Feed Bar Hinge Pin Collar Set Screw for 59343.....
742F	20707	Throat Plate Screw (2).....
761E	20696	Arm Rotary Shaft Bushing (front) Set Screw.....
761E	20696	Looper Driving Shaft and Feed Lifting Eccentric Bushing Position Screw....
802D	20705	Presser Bar Lifting Lever Hinge Screw...
853AL	20695	Needle Bar Connecting Link Hinge Stud Set Screw for 131475.....
857AL	20700	Needle Set Screw for 54036 and 131490...
861C	20700	" Bar Connecting Link Hinge Stud Oil Plug Screw.....
896AL	20696	Crank Connecting Rod Cap (lower) Screw for 131471 (2).....
896AL	20696	Feed Connecting Rod Cap Screw for 131500 (2).....
948J	20696	Looper Driving Shaft and Feed Lifting Eccentric Bracket Screw for 131446..
965D	20696	Thread (under) Take-up Stripper Plate Bracket Screw.....
997J	20706	Thread (upper) Take-up (auxiliary) Clamp Screw for 147-80 Machine.....
1011F	20704	Cloth Plate Screw (left) (2).....
1053E	20706	Face Plate (upper half) Position Plate Screw.....
1057AL	20688	Arm Bottom Cover Screw (4).....
1057AL	20696	Crank Connecting Rod Cap (upper) Screw for 131471.....
1057AL	20696	Feed Connecting Rod Cap Clamping Screw for 131500.....
1057AL	20688	Arm Side Cover Screw (4).....
1103C	20696	Feed Regulating Screw for 54025.....
1120C	20698	Looper Set Screw for 54035.....
1133AL	20700	Needle Bar Bushing (lower) Set Screw....
1133AL	20700	" " " (upper) Set Screw....
1133AL	20700	Presser Bar Bushing (lower) Set Screw...
1133AL	20700	" " " (upper) Set Screw...
1174J	20710	Strip Folder Holder Screw (2).....
1235F	20695	Arm Rock Shaft Oil Plug Screw for 131474
1247C	21038	Machine Base Oil Drain Jar Clamp Lever Hinge Screw for 131268 (2).....
1258AL	20696	Thread (under) Take-up Set Screw for 131407.....
1304C	20696	Arm Rotary Shaft Ball Bearing (intermediate) Case Set Screw.....
1309C	20695	Arm Rock Shaft Adjusting Screw.....
1423J	20706	Slack Thread Regulator Holder Crank Cap Screw.....
1449J	20709	Thread (upper) Take-up Plate Spring Screw for 131333, for 147-81 Machine

No.	Plate	Name
1492E	20700	Needle Bar Connecting Stud Clamping Screw for 131400 and 131492.....
1520J	20700	Needle Bar Connecting Link Hinge Stud Nut.....
1547J	20705	Tension (upper thread) Releasing Shaft Stop Screw Nut.....
1637J	20688	Presser Bar Spring Screw Stud Lock Nut for 131830.....
1733	20703	Oil Pipe (back of arm) Coupling Nut (brass).....
1733	20703	Oil Pipe (front of arm) Coupling Nut (brass) for 68498 and 68500 (3)....
2102	20705	Tension (under thread) Disc (2).....
2102	20705	" (upper thread) Disc (2).....
2763	20633	Rock Shaft for 23767.....
2766	20633	" " Knee Arm Hub with 356C, for 6336.....
2767	20633	Rock Shaft Knee Plate with 356C, for 6336.....
2770	20633	Rock Shaft Stop Dog with 356C, for 23767.....
4822	20691	Wrench for 1547 (Accessories).....
4879	20633	Chain Connecting Link for 150452.....
4882	20633	Treadle Shaft for 150452.....
6335	20633	Rock Shaft Knee Arm for 6336.....
6336	-----	Rock Shaft Knee Arm complete for 23767, Nos. 2766, 2767 and 6335.....
6337	20633	Rock Shaft Lifting Bracket with two 356C, for 23767.....
6439	-----	Chain, 36 in. to 45 in., with 56864 and 56865.....
Note: When ordering No. 6439, state length required.		
7071	20696	Feed Eccentric Clamping Washer for 54025 (2).....
7071	20696	Thread (under) Take-up Thread Guide (left) Screw Washer for 131420.....
7071	20696	Thread (under) Take-up Thread Guide (right) Screw Washer for 131420.....
7125	20633	Rock Shaft Lifting Bracket Hook for 23767.....
8908	20691	Wrench for 1520 (Accessories).....
9525	20692	Thread Unwinder Thread Separator Bracket Arm Clamping Screw Washer for 150060
9525	20692	Thread Unwinder Thread Separator Bracket Arm Screw Washer for 150087.....
9842	21038	Machine Base Screw Stud Nut Washer for 131284 (3).....
11173	20700	Presser Bar Lifting Bracket Guide.....
12242	20633	Rock Shaft Hanger with two wood screws 1 in. No. 10, for 23767 (2).....

No.	Plate	Name
*15404	-----	Trade Mark for 131446.....
15405	-----	" " Rivet for 131446 (2).....
22436	20702	Feed Bar Feed Dog Seat Screw Washer for 131731.....
23767	20633	Rock Shaft complete, Nos. 2763, 2770, 6336, 6337, 7125 and two 12242.....
25618	20704	Guide.....
26276	20707	Presser Foot Hinge Pin for 46058.....
27739	20692	Thread Unwinder Thread Cone (wood) for large cones.....
27998	20691	Bench Stand Flap Hook and Eye (brass) with wood screw 1/2 in. No. 5, for 79772.....
29234	20706	Face Plate (upper half) Position Plate..
32062	20696	Thread (under) Take-up Stripper Washer for 131420.....
32572	20705	Tension (upper thread) Releasing Disc...
37563	-----	Chain, length 15 in., with 56864 and 56865.....
38456	20700	Presser Bar Bushing (upper).....
38468	20688	" " Spring Stud.....
38484	20709	Thread (upper) Eyelet for 147-81 Machine
38486	20707	Throat Plate for 54177.....
41538	-----	Bench Stand Flush Bolt with Plate com- plete for 79772, Nos. 126247, 126248 and four brass wood screws 5/8 in. No. 4 (2).....
42365	20695	Arm Rock Shaft Oil Pad (braided cotton) for oiling Back Bearing.....
42367	20696	Arm Rotary Shaft Front Bearing Oil Pad, lower (braided cotton).....
43503	20698	Looper Throw-out Handle Plunger Spring..
46056	20707	Presser Foot Plate for 46058.....
46057	20707	" " Shank for 46058.....
46058	20707	Presser Foot (hinged) complete, Nos. 26276, 46056 and 46057.....
46059	20708	Throat Plate for 131544 and 131545.....
46105	20707	Looper Needle Guard Pin for 131135.....
50073J	20707	Feed Dog Screw, when stationary Needle Guard is used.....
50083AL	20696	Arm Rock Shaft Crank (back) Set Screw for 131072 and 131343 (2).....
50326C	20705	Tension (under thread) Screw Stud for 59539.....
50326C	20705	Tension (upper thread) Screw Stud for 59539.....
50396F	20704	Cloth Plate Screw (right).....
50438J	20696	Thread (under) Take-up Oil Guard Screw for 131420.....
50470J	20696	Thread (under) Take-up Thread Guard Screw for 131420 (2).....

No.	Plate	Name
50473F	20704	Cloth Plate Thread Guard Screw (upper)..
50608R	20688	Arm Hole Plug Screw for access to Crank Connecting Rod (upper bearing).....
51061AL	20696	Feed Eccentric Body Set Screw for 54025 (3).....
51119J	20698	Looper Holder Screw.....
51224W	20688	Arm Side Cover Cap Thumb Screw for 131278.....
51224W	20706	Face Plate (upper half) Thumb Screw....
51224W	20704	Guide Thumb Screw.....
51263D	20698	Looper Carrier Connection Shaft Sleeve Cap Screw.....
51283AL	20696	Balance Wheel Set Screw for 131483 and 131710 (2).....
51570C	20705	Tension (under thread) Regulating Thumb Nut for 59539.....
51570C	20705	Tension (upper thread) Regulating Thumb Nut for 59539.....
51576E	21038	Machine Base Screw Stud Nut for 131264 (3).....
51697W	20688	Pressure Regulating Thumb Screw Nut for 131830.....
53225	20705	Thread (under) Eyelet (back).....
54025	20696	Feed Eccentric (adjustable) with 1103C, two each 217J, 7071 and three 51061AL, for 131502.....
54027	20698	Looper Carrier with two 175E, for 68482 and 131111.....
54035	20698	Looper Holder with 1120C.....
54036	20701	Needle Bar (hollow) with 857AL, for 147-81 Machine.....
54038	20707	Needle Guard (stationary) Holder.....
54045	20705	Tension (upper thread) Bracket.....
54046	20705	" " " Releasing Shaft..
54047	20705	" " " " "
		Crank with 624AL.....
54048	20705	Tension (upper thread) Releasing Shaft Crank Link.....
54177	20707	Feed Dog, 16 teeth (16 teeth to the inch) for 38486.....
54194	20709	Thread (upper) Take-up Plate for 131333, for 147-81 Machine.....
54218	20696	Arm Rotary Shaft Front Bearing Oil Pad, upper (braided cotton).....
54227	20698	Looper Carrier Connection for 68482 and 131111.....
54228	20698	Looper Carrier Connection Shaft for 68482 and 131111.....
54242	20696	Thread (under) Take-up Stripper Clamp for 131420.....

No.	Plate	Name
54242	20709	Slack Thread Controller Clamp for 147-81 Machine.....
54477	21038	Machine Base Screw Stud, to fasten base to table for 131264 (3).....
54969	20695	Arm Rock Shaft Oil Pad (braided cotton) for oiling Intermediate Bearing....
54988	20705	Tension (upper thread) Releasing Pin....
56864	20691	Chain Hook (large) for 6439 and 37563...
56865	20691	" " (small) for 6439 and 37563...
57234	20702	Feed Rocking Frame Hinge Pin.....
57235	20702	" " " " " Bushing (2)
59343	20702	" Bar Hinge Pin Collar with 735AL, for 131732.....
59537	20705	Tension (under thread) Spring Bushing (large).....
59537	20705	Tension (upper thread) Spring Bushing (large).....
59538	20705	Tension (under thread) Spring Bushing (small).....
59538	20705	Tension (upper thread) Spring Bushing (small).....
59539	-----	Tension (under thread) Screw Stud 50326C with 51570C.....
59539	-----	Tension (upper thread) Screw Stud 50326C with 51570C.....
60656	20691	Bench Stand Hinge for 79772.....
64320	20700	Needle Bar Bushing (upper).....
64330	20700	Presser Bar.....
68123	20702	Needle Guard (movable) Clamp.....
68164	20709	Thread (upper) Take-up Plate Spring for 131333, for 147-81 Machine.....
68164	20705	Presser Bar Lifting Lever Extension....
68222	20633	Belt Guard with two wood screws 1 in.No. 12.....
68261	20705	Tension (upper thread) Releasing Shaft Spring.....
68350	20695	Arm Oil Cup for oiling Arm Rock Shaft Front Bearing.....
68368	20704	Cloth Plate Slide (left) for 131051....
68428	20688	Arm Bottom Cover.....
68429	20688	" " " Gasket (cork).....
68433	20695	" Rock Shaft Bushing (back).....
68435	20695	" " " " " Cap.....
68436	20695	" " " " (intermediate)...
68448	20688	" Side Cover Gasket (victorite).....
68459	-----	Crank Connecting Rod 131471 with 131072, for 131485, for 147-81 Machine.....
68460	20706	Face Plate (lower half).....
68461	20706	" " " " Gasket (cork)...
68467	20702	Feed Bar Wearing Plate for 131731.....

NUMERICAL LIST OF PARTS

No.	Plate	Name
68478	20698	Looper Carrier Connection Shaft Sleeve (eccentric).....
68479	20698	Looper Carrier Driver with four 175E, for 68482 and 131111.....
*68481	20698	Looper Driving Shaft and Feed Lifting Eccentric for 68482, for 147-80 Machine.....
Note: When No. 68481 is required for repairs, the Arm Rotary Shaft must be returned to the factory to be adjusted to the new part.		
68482	-----	Looper Driving Shaft and Feed Lifting Eccentric 68481 with 54027, 54227, 54228 and 68479, for 131477, for 147-80 Machine.....
68484	20698	Looper Driving Shaft and Feed Lifting Eccentric Bushing.....
68485	20698	Looper Throw-out Handle with two 443AL..
68486	20698	" " " Plunger.....
68488	20700	Needle Bar Connecting Link and Thread (upper) Controller for 131399 and 131491.....
68489	20700	Needle Bar Connecting Link Hinge Stud (hollow) for 131399 and 131491.....
68492	20703	Oil Pipe (back of arm) with 68497, for oiling Feed Rocking Frame Hinge Pin Front Bearing.....
68493	20703	Oil Pipe (back of arm) Clamp.....
68494	20703	Oil Pipe (back of arm) Connection with 68495 and two 198E, for oiling Feed Rocking Frame Hinge Pin Back Bearing
68495	20702	Feed Bar Slide Block Oil Pad (wick) for 134259.....
68495	20703	Oil Pipe (back of arm) Connection Oil Pad (wick) for 68494.....
68496	20703	Oil Pipe (back of arm) Coupling.....
68497	20696	Feed Connecting Rod Oil Pad (wick) for 131500.....
68497	-----	Looper Driving Shaft and Feed Lifting Eccentric Front Bearing Oil Pad (wick).....
68497	20703	Oil Pipe (back of arm) Oil Pad (wick) for 68492.....
68497	20703	Oil Pipe (front of arm) Oil Pad (wick) for 131112 and 131113 (2).....
68498	20703	Oil Pipe (front of arm) with 131089 and two 1733, for oiling Looper Driving Shaft and Feed Lifting Eccentric Front Bearing for 131258.....
68500	20703	Oil Pipe (front of arm) with 1733, 131084 and 131089, for oiling Arm Rotary Shaft Front Bearing for 131258.....

NUMERICAL LIST OF PARTS

No.	Plate	Name
79772	-----	Bench Stand with 27998, two each 41538, 126849, three wood screws 1 1/4 in. No. 12, four each 60656, wood screws 1 1/4 in. No. 10 and sixteen wood screws 5/8 in. No. 7.....
120341	20691	Tweezers (curved).....
120344	20691	Oiler (copper plated) with 120345 (Accessories).....
120345	20691	Oiler Spout, 4 1/2 in. long, for 120344 (Accessories).....
120440	20691	Screw Driver (large) Accessories.....
121108	20691	" " (small) Accessories.....
121657	20710	Strip Folder for 121683.....
121681	20710	" " Slide Holder for 121683....
121682	20710	" " Edge Guide for 121683.....
121683	20710	Strip Folder complete, for facing sleeves on shirts, for 147-81 Machine, Nos. 227J, 121657, 121681 and 121682....
126247	20691	Bench Stand Flush Bolt for 41538.....
126248	20691	" " " " Plate for 41538..
126249	20633	Treadle for 150452.....
126250	20633	" Spring for 150452.....
126849	20691	Bench Stand Flap Hinge with four wood screws 3/4 in. No. 7, for 79772.....
127838	20695	Arm Rock Shaft Crank (front) Pin for 131474.....
128419	20698	Looper Carrier Connection Shaft Oil Pad (braided cotton).....
128510	20696	Balance Wheel Cover.....
131002	20703	Oil Pipe (front of arm) Connection with two 198E, for oiling Looper Throw-out Device.....
131003	20703	Oil Pipe (front of arm) Connection with two 198E, for 131112 and 131113 (2)
131004	20703	Oil Pipe (front of arm) Coupling (center).....
131004	20703	Oil Pipe (front of arm) Coupling (left)
131006	20700	Presser Bar Bushing (lower).....
131011	20705	Tension (upper thread) Releasing Shaft Spring Position Plate.....
131012	20705	Tension (under thread) Bracket.....
131022	21038	Machine Base Screw Stud Bushing (rubber) for 131446 (4).....
131025	20709	Slack Thread Controller for 147-81 Machine.....
131028	20698	Looper Driving Shaft and Feed Lifting Eccentric Bushing Oil Plug.....
131050	20704	Cloth Plate Slide (left) Spring for 131051.....
131051	20704	Cloth Plate Slide (left) complete for 131388, Nos. 68368, 131050 and two 725J.....

No.	Plate	Name
131056	20695	Arm Rock Shaft Adjusting Screw Washer...
131072	20697	" " " Crank, back (ball bearing, solid) with two 50083AL, for 68459, for 147-81 Machine.....
131084	20703	Oil Pipe (front of arm) Connection with two 198E, for 68500.....
131087	20703	Oil Pipe (front of arm) Coupling (right)
131089	20703	" " " " " Oil Pad (wick) for 68498 and 68500.....
131095	20695	Arm Rock Shaft Bushing (back) Cap Washer (fibre).....
*131110	20699	Looper Driving Shaft and Feed Lifting Eccentric for 131111, for 147-81 Machine.....
Note: When No. 131110 is required for repairs, the Arm Rotary Shaft must be returned to the factory to be adjusted to the new part.		
131111	-----	Looper Driving Shaft and Feed Lifting Eccentric 131110 with 54027, 54227, 54228 and 68479, for 131485, for 147-81 Machine.....
131112	20703	Oil Pipe (front of arm) with 68497 and 131003, for oiling Feed Bar Slide Block for 131258.....
131113	20703	Oil Pipe (front of arm) with 68497 and 131003, for oiling Feed Connecting Rod for 131258.....
131133	20707	Looper for 131134.....
131134	20707	" 131133 with 229J and 131135.....
131135	20707	" Needle Guard with 46105, for 131134.....
131185	21038	Machine Base Oil Drain Jar (glass) for 131268.....
131188	21038	Machine Base Oil Drain Jar Clamp for 131217.....
131189	21038	Machine Base Oil Drain Jar Clamp Lever for 131217.....
131191	21038	Machine Base Oil Drain Jar Cap for 131268.....
131197	20702	Feed Bar Hinge Pin (eccentric) for 131732.....
131205	21038	Machine Base Screw Stud, to position Machine on base, for 131264 (4)....
131217	-----	Machine Base Oil Drain Jar Clamp 131188 with 131189, for 131268.....
131240	20702	Feed Rocking Frame with two 453AL, for 131732.....
131258	-----	Oil Pipe (front of arm) complete, Nos. 68498, 68500, 131112 and 131113.....
131263	21038	Machine Base for 131264.....

No.	Plate	Name
131264	21038	Machine Base complete for 131328, Nos. 131263, three each 9842, 51576E, 54477 and four each 131205 and 131279.....
131265	21038	Machine Base Oil Drain Jar Nipple (long) for 131268 (2).....
131266	21038	Machine Base Oil Drain Jar Nipple (short) for 131268.....
131267	21038	Machine Base Oil Drain Jar Nipple Elbow for 131268 (2).....
131268	21038	Machine Base Oil Drain Jar (swinging type) complete for 131328, Nos. 131185, 131191, 131217, 131266 and two each 1247C, 131265 and 131267.....
131270	20700	Needle Bar Connecting Link Hinge Stud Oil Pad (wick).....
131276	20688	Arm Side Cover (oil vent) for 131278....
131277	20688	" " " Cap for 131278.....
131278	20688	Arm Side Cover (oil vent) complete, Nos. 51224W, 131276, 131277 and 131280...
131279	21038	Machine Cushion (felt) for 131264 (4)..
131280	20688	Arm Side Cover Cap Position Pin for 131278.....
131291	20700	Needle Bar Bushing (lower).....
131293	20695	Arm Rock Shaft for 131474.....
131305	20696	" Oil Cup Drip Pan with two 563AL....
131309	20696	" Hole Cup with 131310, for filling oil reservoir.....
131310	-----	Arm Oil Cup Oil Tube for 131309.....
131315	20707	Needle Guard (stationary).....
131316	20702	" " (movable).....
131319	20695	Arm Oil Cup Oil Pad (braided cotton) for 68350.....
131328	21038	Machine Base and Oil Drain Jar (swinging type) complete, Nos. 131264 and 131268.....
131332	20709	Thread (upper) Take-up for 131333, for 147-81 Machine.....
131333	20709	Thread (upper) Take-up complete, Nos. 1449J, 54194, 68164 and 131332, for 147-81 Machine.....
131343	20696	Arm Rock Shaft Crank, back (ball bearing, solid) with two 50083AL, for 131484, for 147-80 Machine.....
131366	20696	Arm Rotary Shaft Ball Bearing (back) for 131526 (2).....
131366	20696	Arm Rotary Shaft Ball Bearing (intermediate).....
131369	20696	Arm Rotary Shaft Ball Bearing (back) Case Cap for 131479.....
131370	20696	Arm Rotary Shaft Ball Bearing (back) Case Position Stud (3).....

No.	Plate	Name
131374	20704	Cloth Plate for 131388.....
131375	20704	" " Slide (right) for 131382....
131381	20704	" " " " Spring for 131382.....
131382	20704	Cloth Plate Slide (right) complete for 131388, Nos. 131375, 131381 and two 725J.....
131388	20704	Cloth Plate complete for Throat Plate No. 38486, Nos. 131051, 131374 and 131382.....
131394	20704	Cloth Plate Thread Guard.....
131395	20706	Face Plate (upper half).....
131399	-----	Needle Bar Connecting Link and Thread (upper) Controller 68488 with 68489 and 131400, for 147-81 Machine.....
131400	20701	Needle Bar Connecting Stud with 211F and 1492E, for 131399, for 147-81 Ma- chine.....
131401	20700	Presser Bar Lifting Bracket with 453AL..
131402	20705	" " " " Lever.....
131404	20706	Slack Thread Regulator Holder.....
131405	20706	" " " " Crank with 171AL.....
131406	20706	Slack Thread Regulator Holder Crank Con- necting Link.....
131407	20696	Thread (under) Take-up with 1258AL.....
131408	20696	" " " " Oil Guard for 131420.....
131409	20696	Thread (under) Take-up Stripper for 131420.....
131410	20696	Thread (under) Take-up Stripper Plate for 131420.....
131411	20696	Thread (under) Take-up Stripper Plate Bracket for 131420.....
131413	20696	Thread (under) Take-up Thread Guard (fibre) for 131420.....
131419	20706	Slack Thread Regulator.....
131420	20696	Thread (under) Take-up Stripper Plate Bracket 131411 with 32062, 50438J, 54242, 131408 to 131410, 131413, 131421, 131422, two each 207J, 7071, 50470J and four 190J.....
131421	20696	Thread (under) Take-up Thread Guide (left) for 131420.....
131422	20696	Thread (under) Take-up Thread Guide (right) for 131420.....
*131446	-----	Arm, upper and lower (solid) with 948J, 15404, two 15405 and four 131022....
131456	20695	Arm Rock Shaft Flanged Bushing (front)..
131457	20696	" Rotary Shaft Bushing (front).....

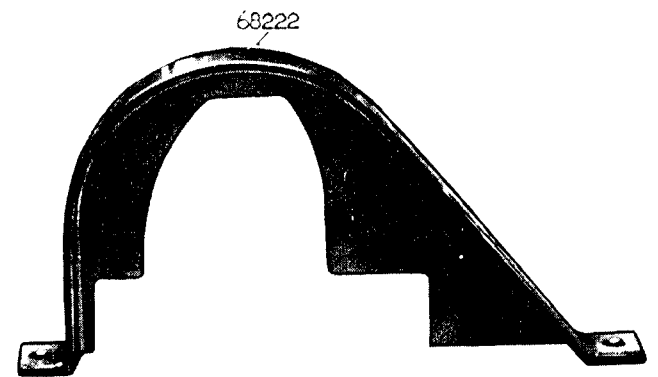
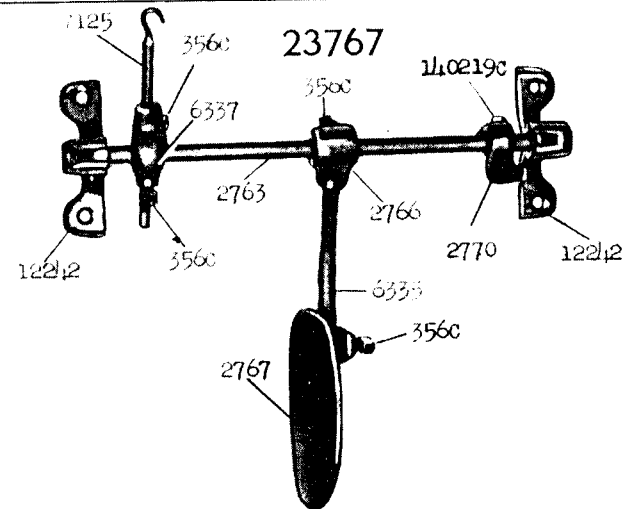
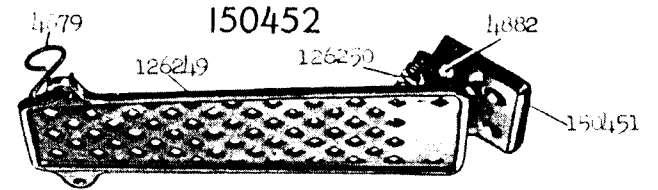
No.	Plate	Name
131471	20696	Crank Connecting Rod with two each 896AL and 1057AL, for 68459 and 131484....
131474	-----	Arm Rock Shaft 131293 with 1235F, 127838 and 131475.....
131475	20695	Arm Rock Shaft Crank (front) with 853AL, for 131474.....
131476	20696	Arm Rotary Shaft for 131477 and 131485..
131477	-----	" " " 131476 with 640E, 68482, 131484 and 131502, for 147-80 Machine..
131478	20696	Arm Rotary Shaft Ball Bearing (back) Case for 131479.....
131479	-----	Arm Rotary Shaft Ball Bearing (back) Case 131478 with 131369 and three 205C, for 131526.....
131480	20696	Arm Rotary Shaft Ball Bearing (back) Spacing Collar for 131526.....
131481	20696	Arm Rotary Shaft Ball Bearing (inter- mediate) Case.....
131482	20696	Arm Rotary Shaft Ball Bearing (inter- mediate) Collar with two 457AL.....
131483	20696	Balance Wheel, 2 in. pulley, with two 51283AL, for round belt.....
131484	-----	Crank Connecting Rod 131471 with 131343, for 131477, for 147-80 Machine.....
131485	-----	Arm Rotary Shaft 131476 with 640E, 68459, 131111 and 131502, for 147-81 Ma- chine.....
131490	20700	Needle Bar (hollow) with 857AL, for 147-80 Machine.....
131491	-----	Needle Bar Connecting Link and Thread (upper) Controller 68488 with 68489 and 131492, for 147-80 Machine.....
131492	20700	Needle Bar Connecting Stud with 1492E, for 131491, for 147-80 Machine.....
131493	20706	Thread (upper) Eyelet for 147-80 Ma- chine.....
131494	20706	Thread (upper) Take-up with 223J, for 147-80 Machine.....
131495	20706	Thread (upper) Take-up (auxiliary) for 147-80 Machine.....
131496	20706	Thread (upper) Take-up (auxiliary) Clamp for 147-80 Machine.....
131500	20696	Feed Connecting Rod with 1057AL, 68497, 134260 and two 896AL, for 131502....
131502	-----	Feed Connecting Rod 131500 with 54025, for 131477 and 131485.....
131526	-----	Arm Rotary Shaft Ball Bearing (back) Case with Ball Bearings complete, Nos. 131479, 131480 and two 131366..

No.	Plate	Name
131544	20708	Feed Dog, 13 teeth (12 teeth to the inch) for 46059.....
131545	20708	Feed Dog, 17 teeth (16 teeth to the inch) for 46059.....
131696	20705	Tension (under thread) Thread Guide.....
131696	20705	" (upper thread) Thread Guide.....
131710	-----	Balance Wheel, "V" belt groove, with two 51283AL.....
131729	20702	Feed Bar for 131731.....
131730	20702	" " Feed Dog Seat (adjustable) with 460AL, for 131731.....
131731	-----	Feed Bar with Feed Dog Leveling Device complete for 131732, Nos. 190J, 22436, 68467, 131729, 131730 and two 207E..
131732	-----	Feed Rocking Frame 131240 with 59343, 131197 and 131731.....
131740	20705	Tension (under thread) Spring.....
131741	20705	" (upper thread) Spring.....
131749	20688	Presser Bar Spring for 131830.....
131750	20688	" " " (auxiliary) for 131830.....
131751	20688	Presser Bar Spring Screw Stud for 131830
131752	20688	Pressure Regulating Thumb Nut Washer for 131830.....
131830	20688	Presser Bar Spring complete, Nos. 1637J, 51697W and 131749 to 131752.....
134258	20702	Feed Bar Slide Block for 134259.....
134259	20702	" " " " 134258 with 68495 and 134260.....
134260	20702	Feed Bar Slide Block Oil Pad Retainer for 134259.....
134260	20696	Feed Connecting Rod Oil Pad Retainer for 131500.....
139017	20688	Arm Hole Plug Screw Washer.....
140275J	20707	Feed Dog Screw when movable Needle Guard is used.....
150060	20692	Thread Unwinder Thread Separator Bracket Arm with 164J and 9525, for 150087..
150086	20692	Thread Unwinder Thread Separator for 150087.....
150087	-----	Thread Unwinder Thread Separator complete for 150088, Nos. 164J, 9525, 150060 and 150086.....
150088	20692	Thread Unwinder complete, Nos. 150087, 201696J, 202490, 225257, 225324, 225326, 225388, two each 150203, 225391 and three wood screws 7/8 in. No. 12....
150203	20692	Thread Unwinder Spool Rest Cushion (felt) for 150088 (2).....
150451	20633	Treadle Stand for 150452.....

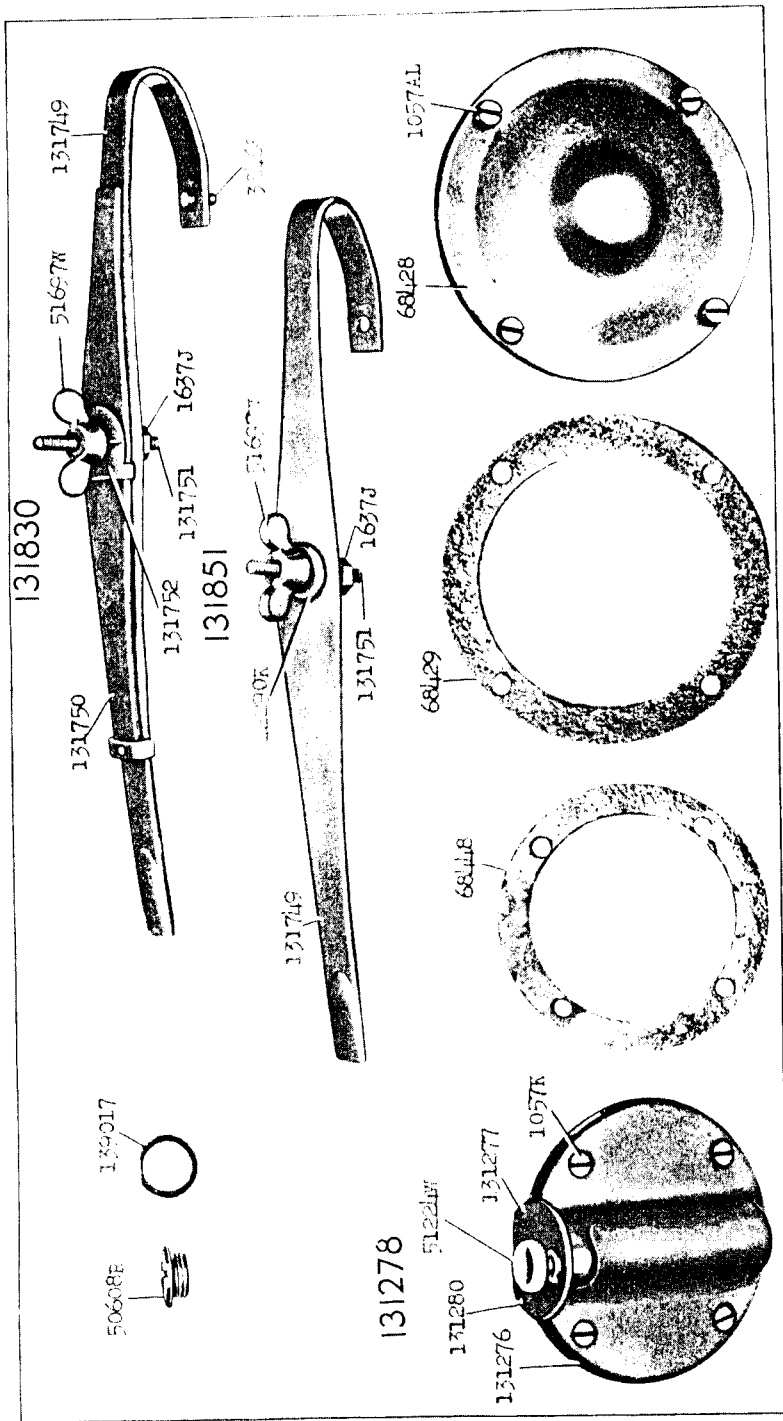
No.	Plate	Name
150452	20633	Treadle complete, Nos. 4879, 4882, 126249, 126250, 150451 and two wood screws 1 in. No. 16 F.H.....
200383C	20692	Thread Unwinder Spool Rest Rod Set Screw for 202490.....
201018C	20692	Thread Unwinder Spool Rest Set Screw for 225257.....
201696J	20692	Thread Unwinder Thread Guide Lock Nut for 150088.....
202490	20692	Thread Unwinder Spool Stand with 200383C, for 150088.....
225257	20692	Thread Unwinder Spool Rest (for two spools) with 201018C, for 150088....
225322	20692	Thread Unwinder Thread Guide Rod Washer for 225324.....
225324	20692	Thread Unwinder Thread Guide Rod with 208AL and 225322, for 150088.....
225326	20692	Thread Unwinder Thread Guide Position Cup for 150088.....
225388	20692	Thread Unwinder Spool Rest Rod for 150088.....
225390	20692	Thread Unwinder Thread Cone Holder for inverted cones.....
225391	20692	Thread Unwinder Thread Guide for 150088 (2).....

ILLUSTRATIONS
OF
PARTS

20633 - 1/4

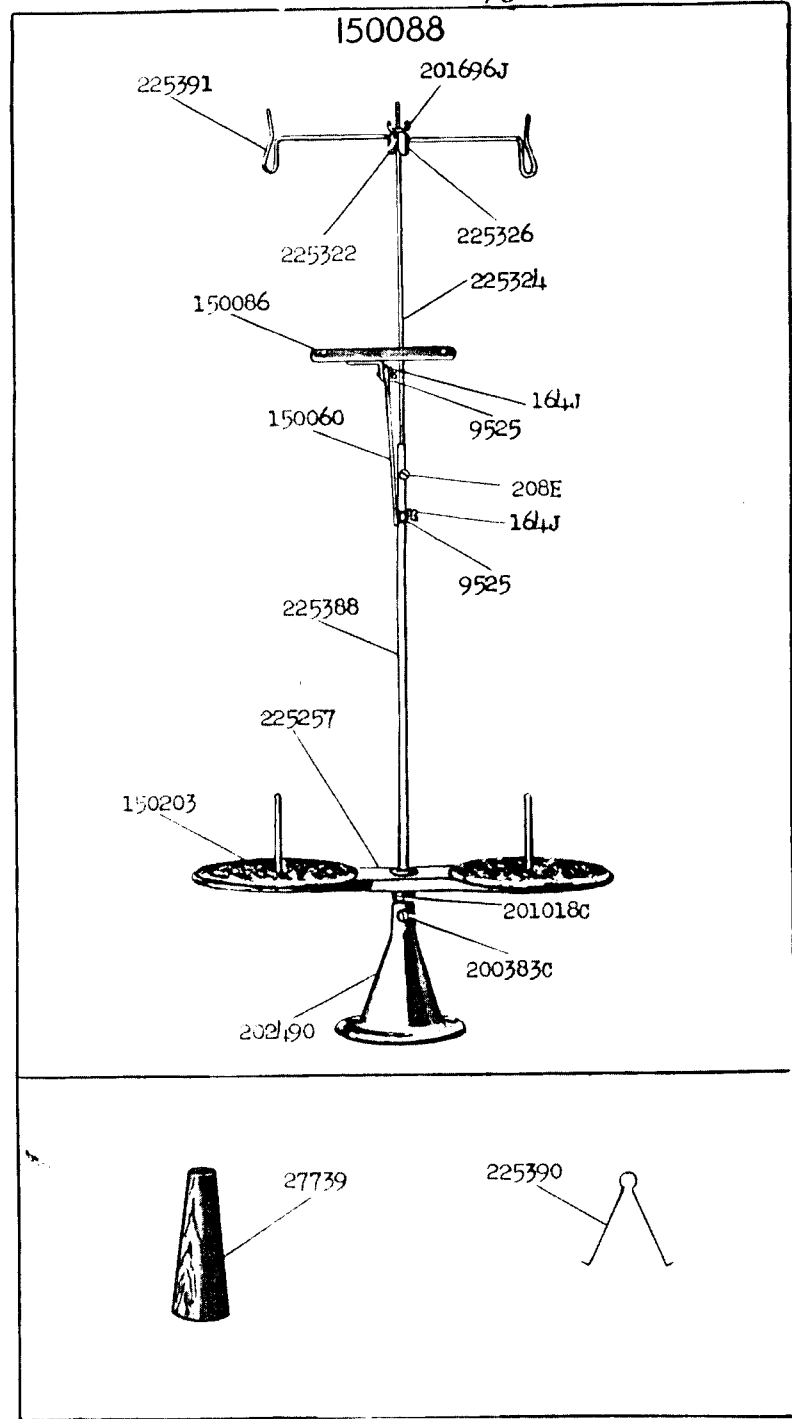


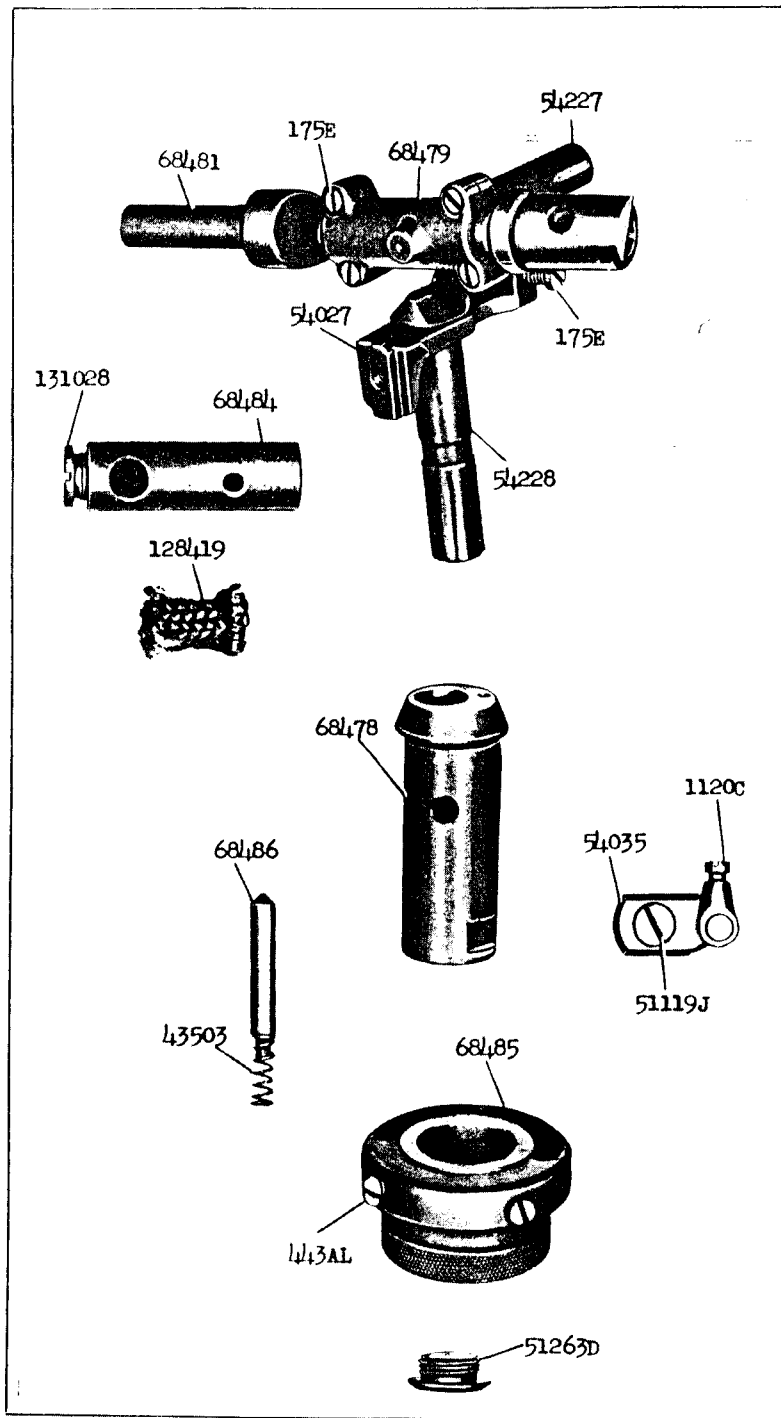
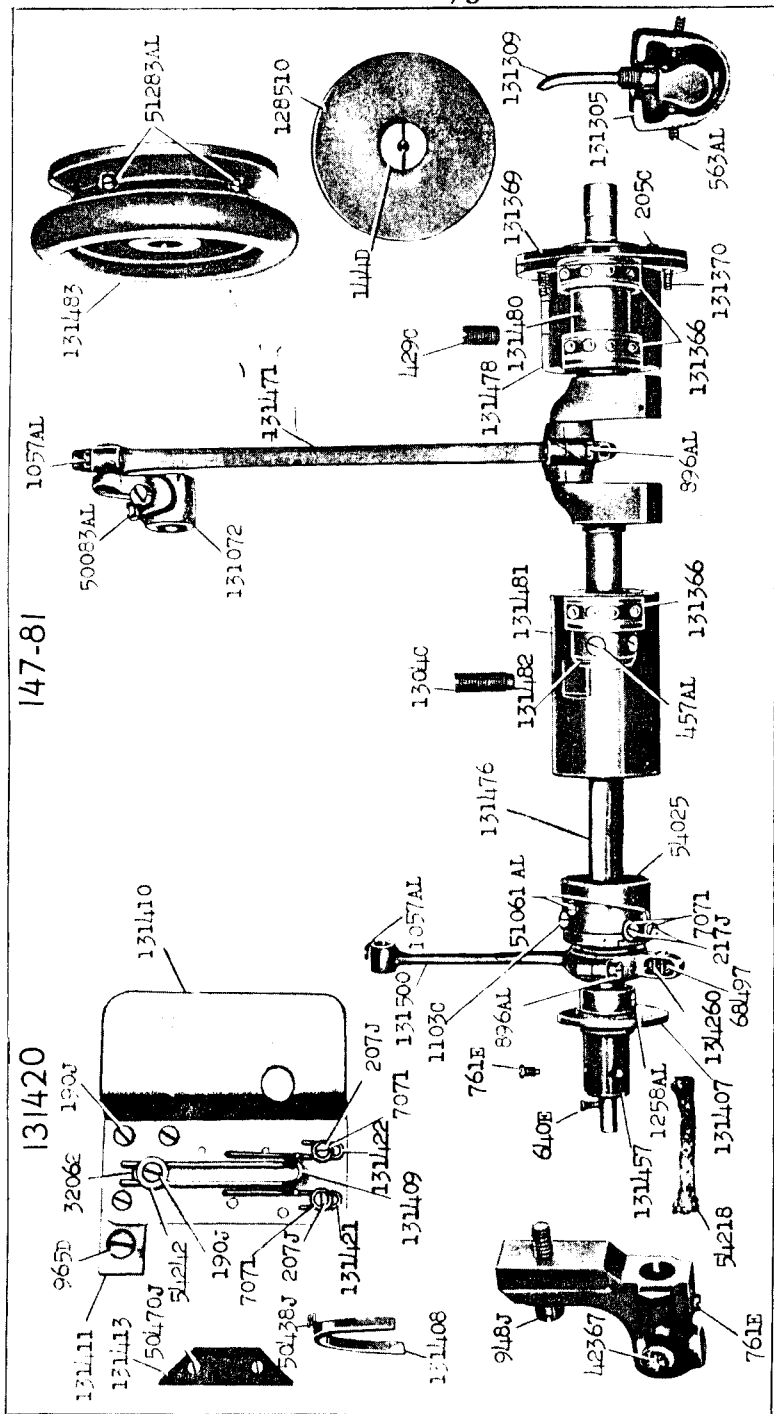
20688 - 1/2



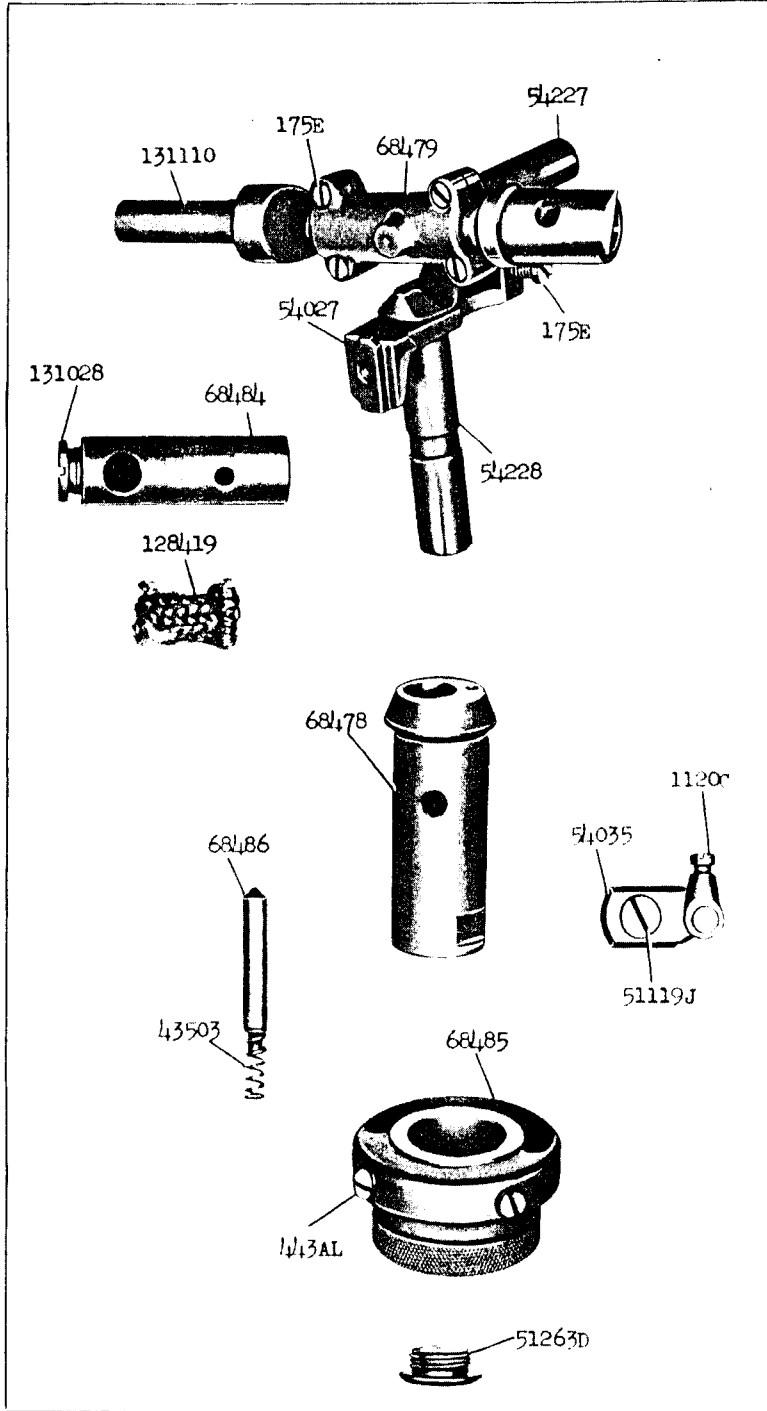
20692 - 1/6

150088

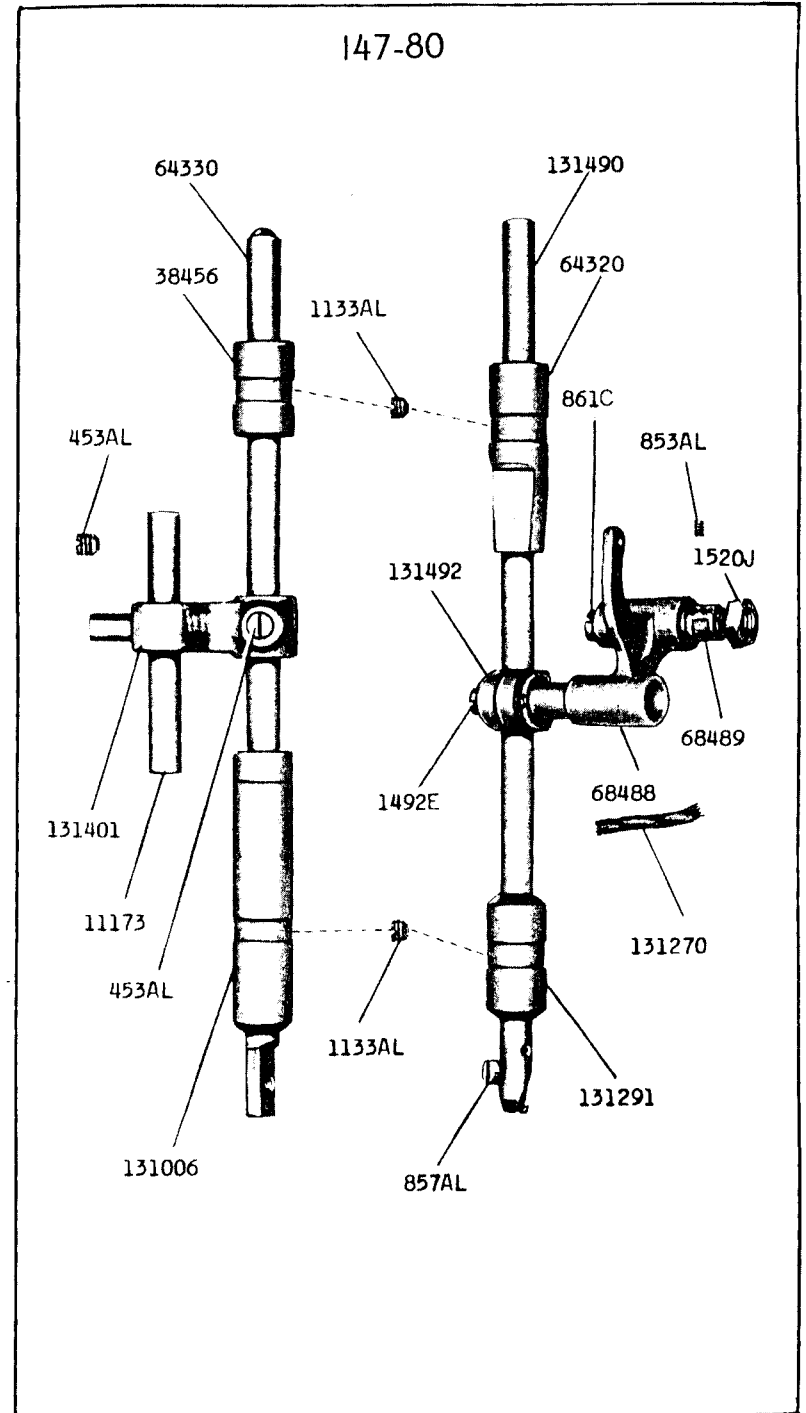




20699 - 2/3

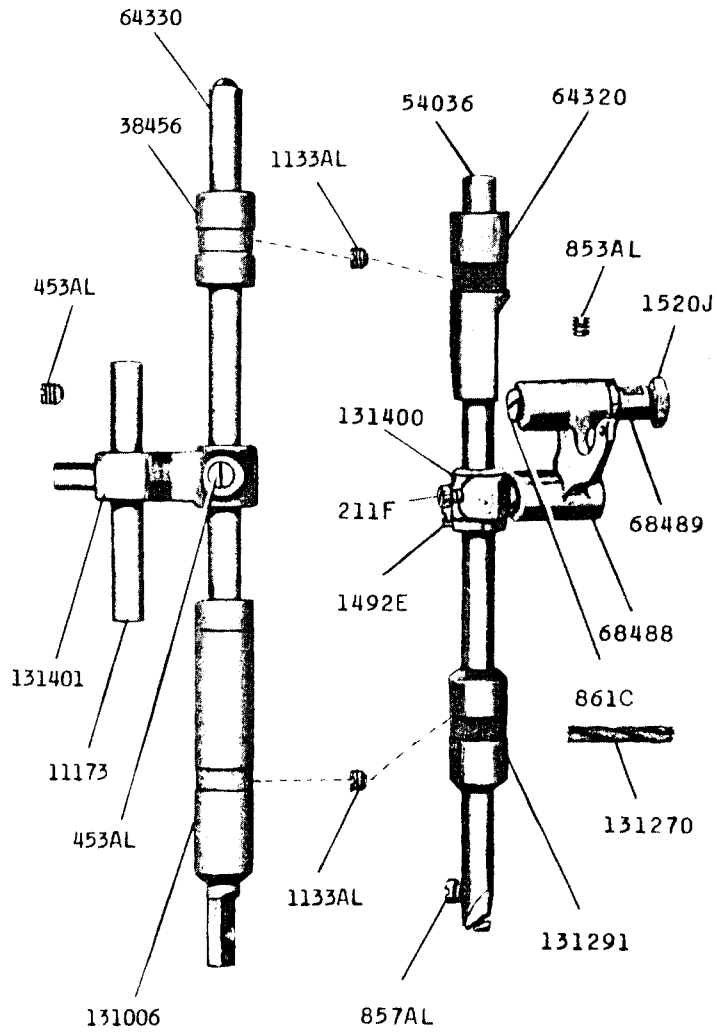


20700 - 2/3

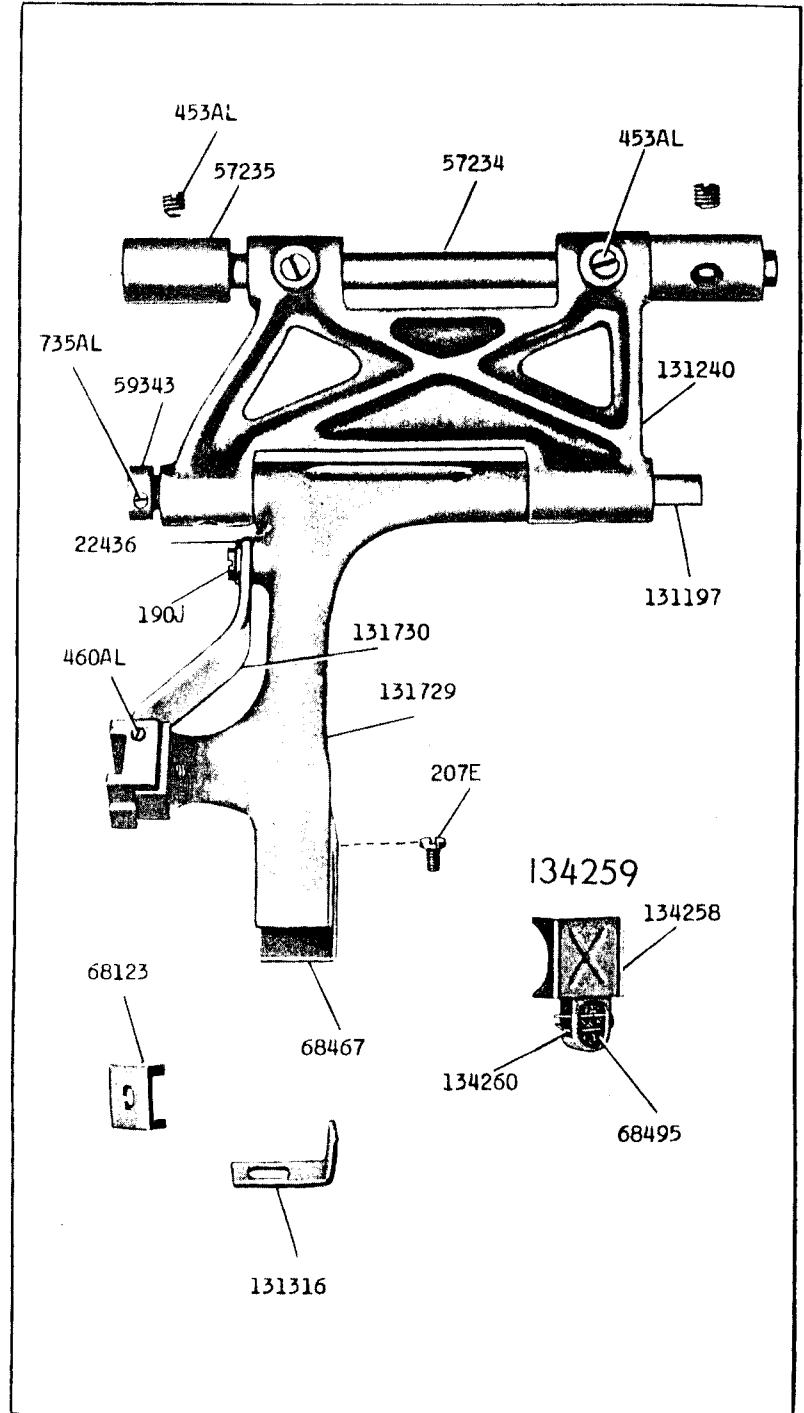


20701 - 2/3

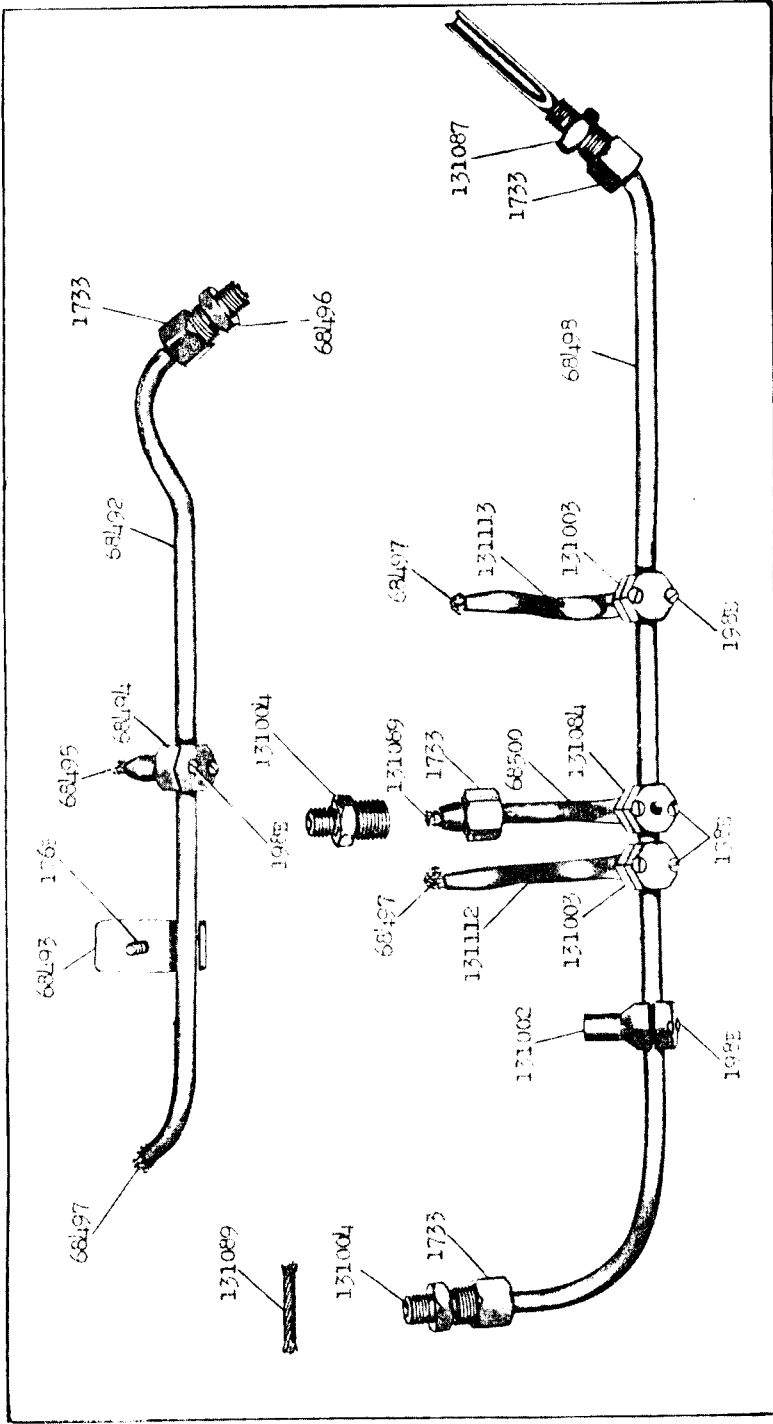
147-81



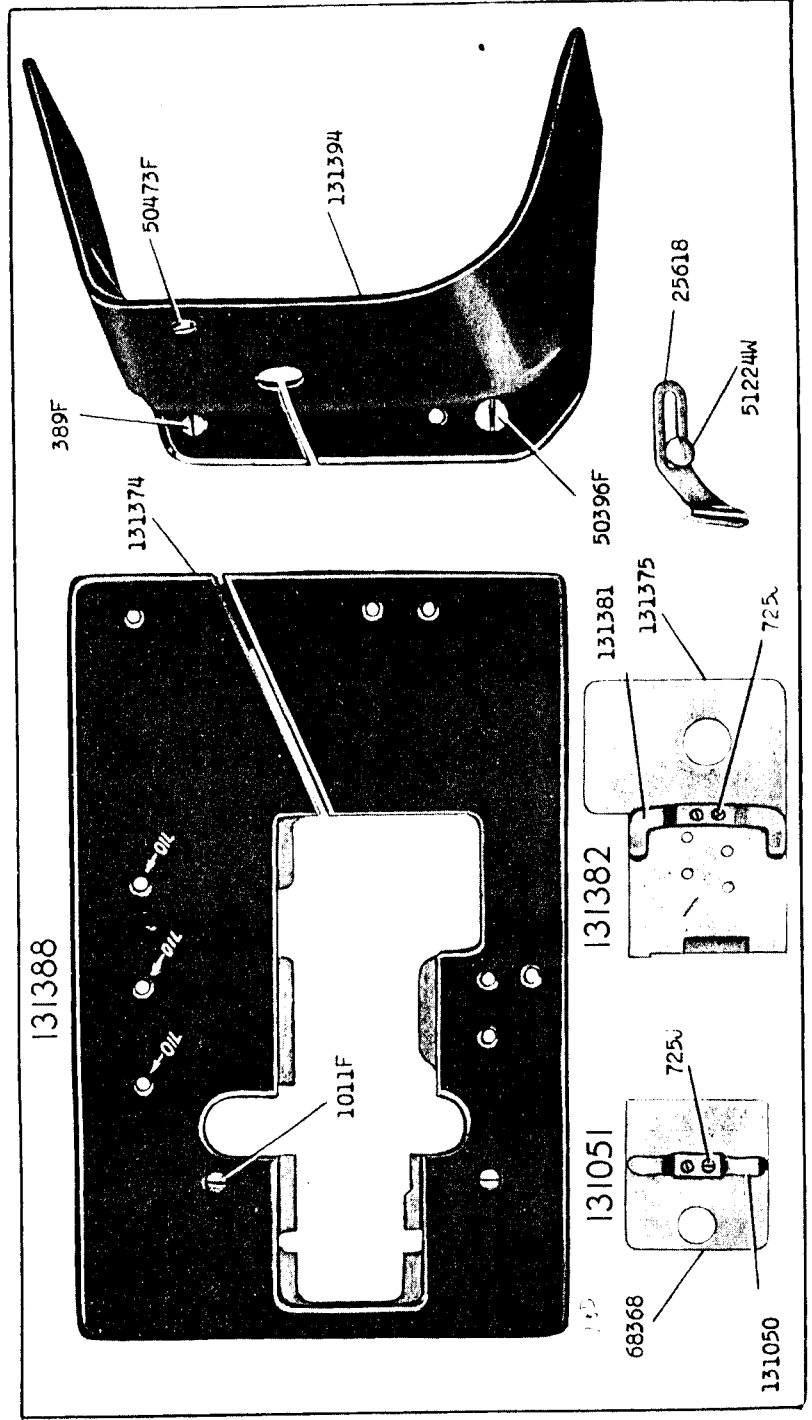
20702 - 1/2



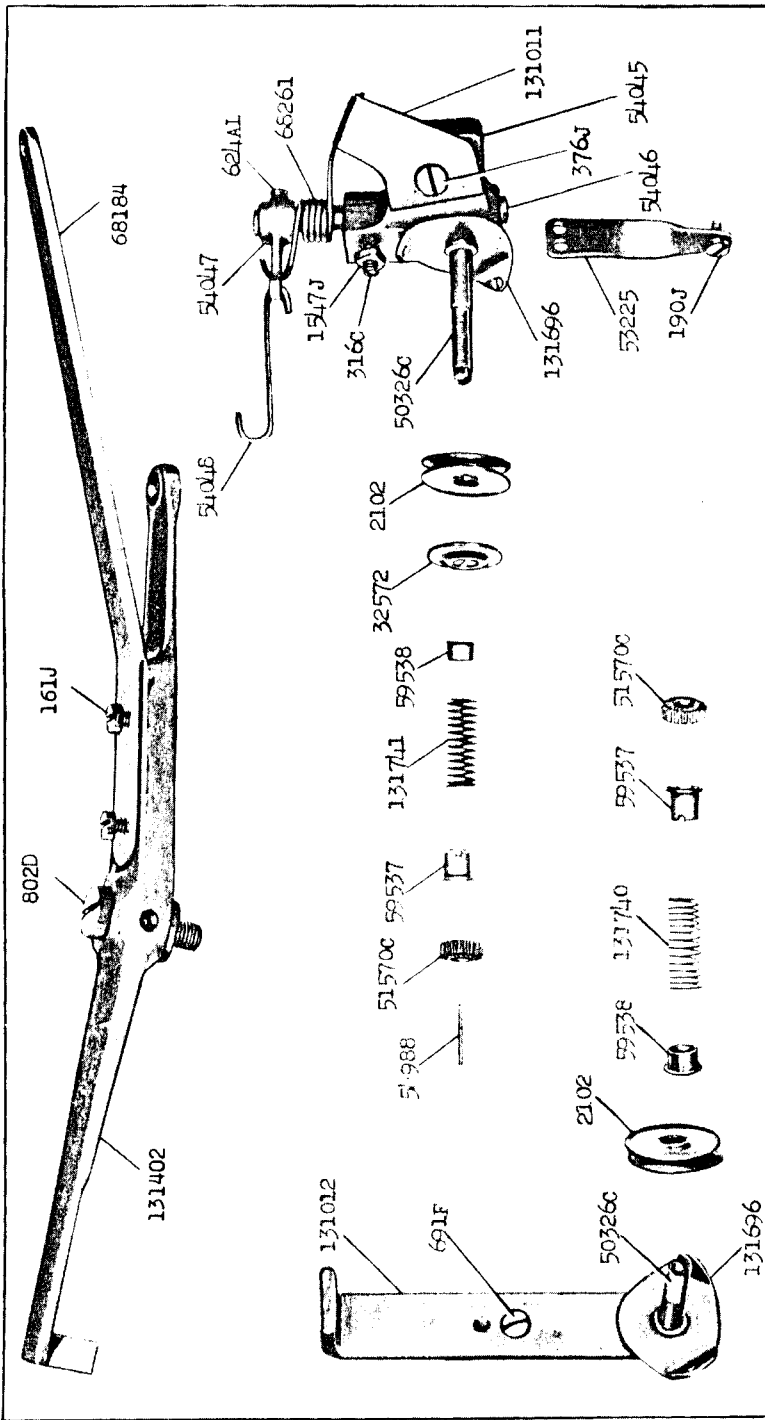
20703 - 1/2



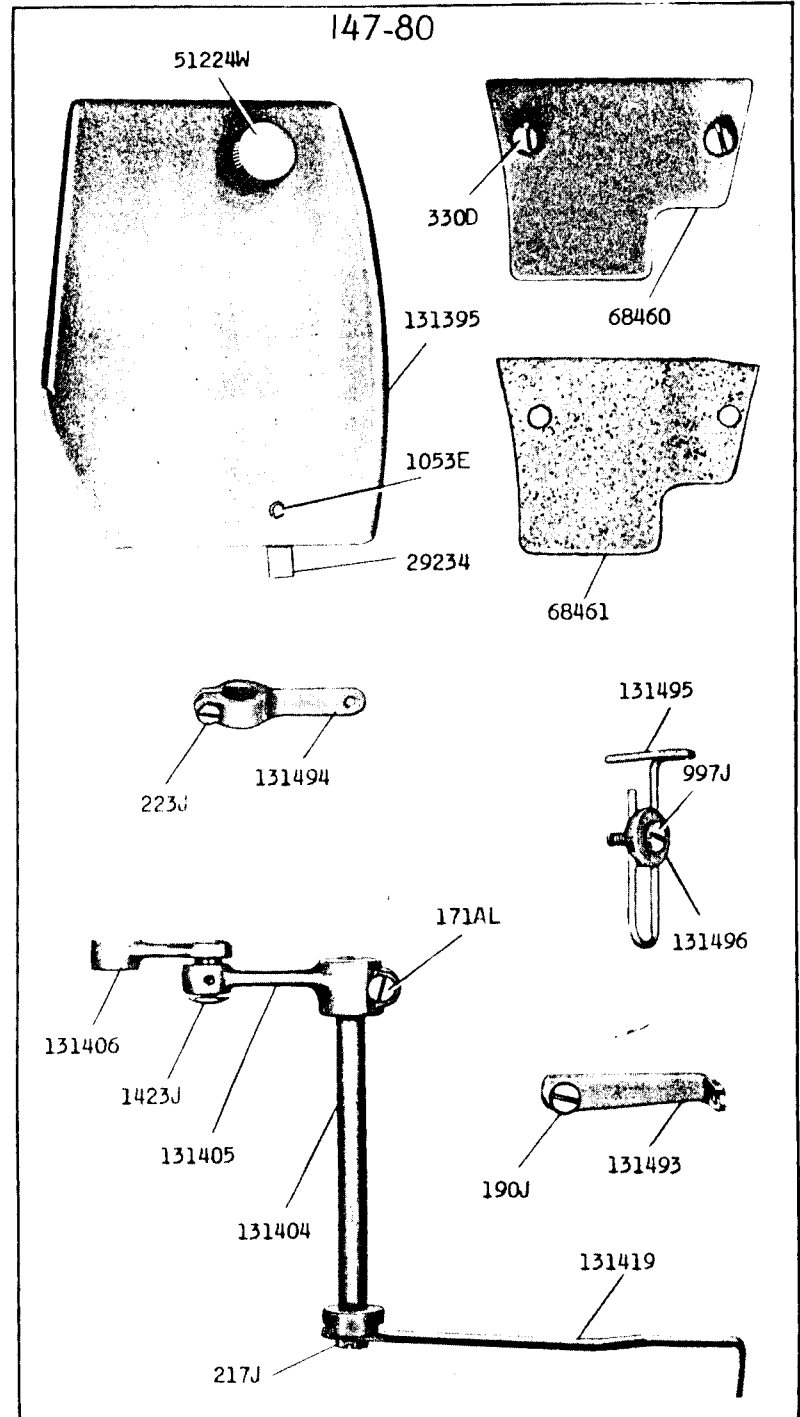
20704 - 1/2

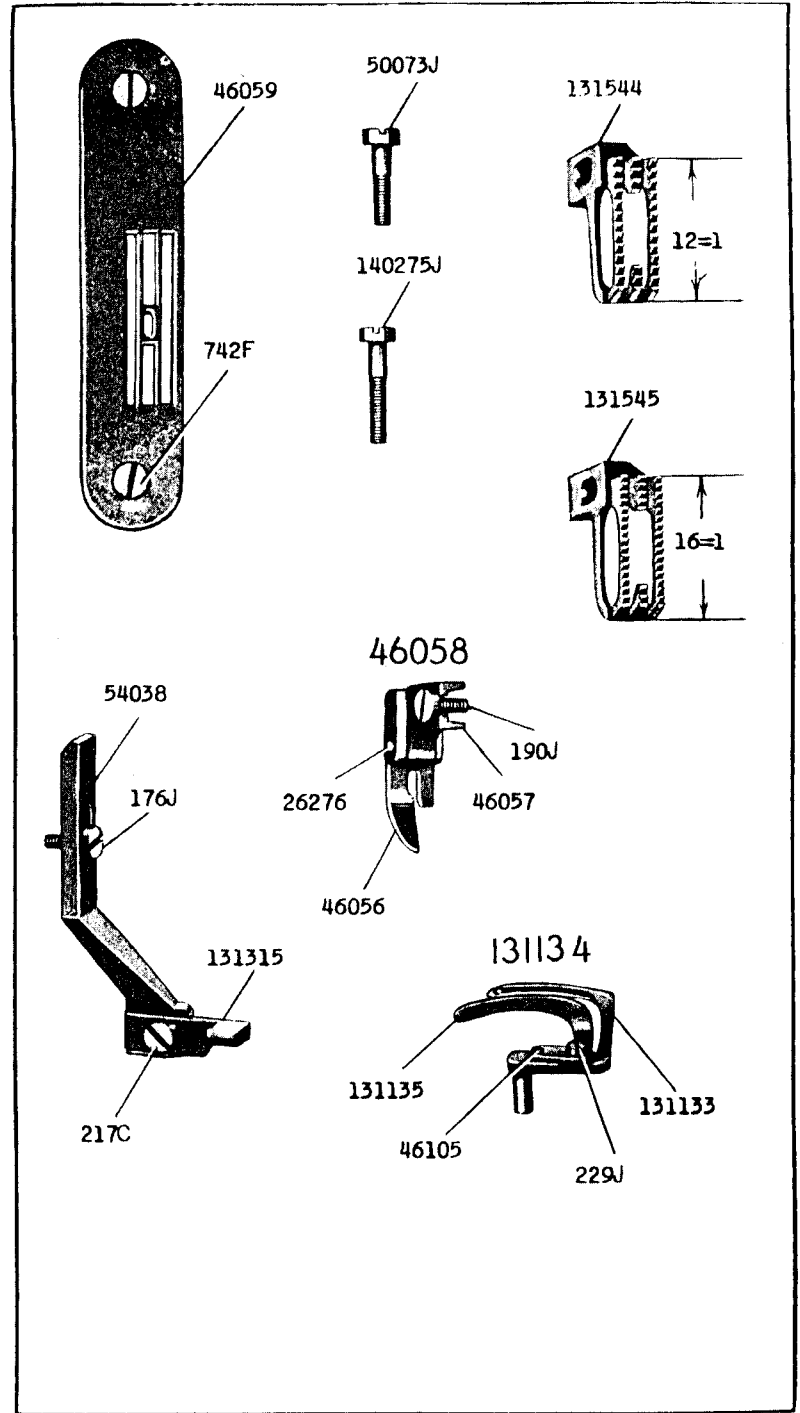
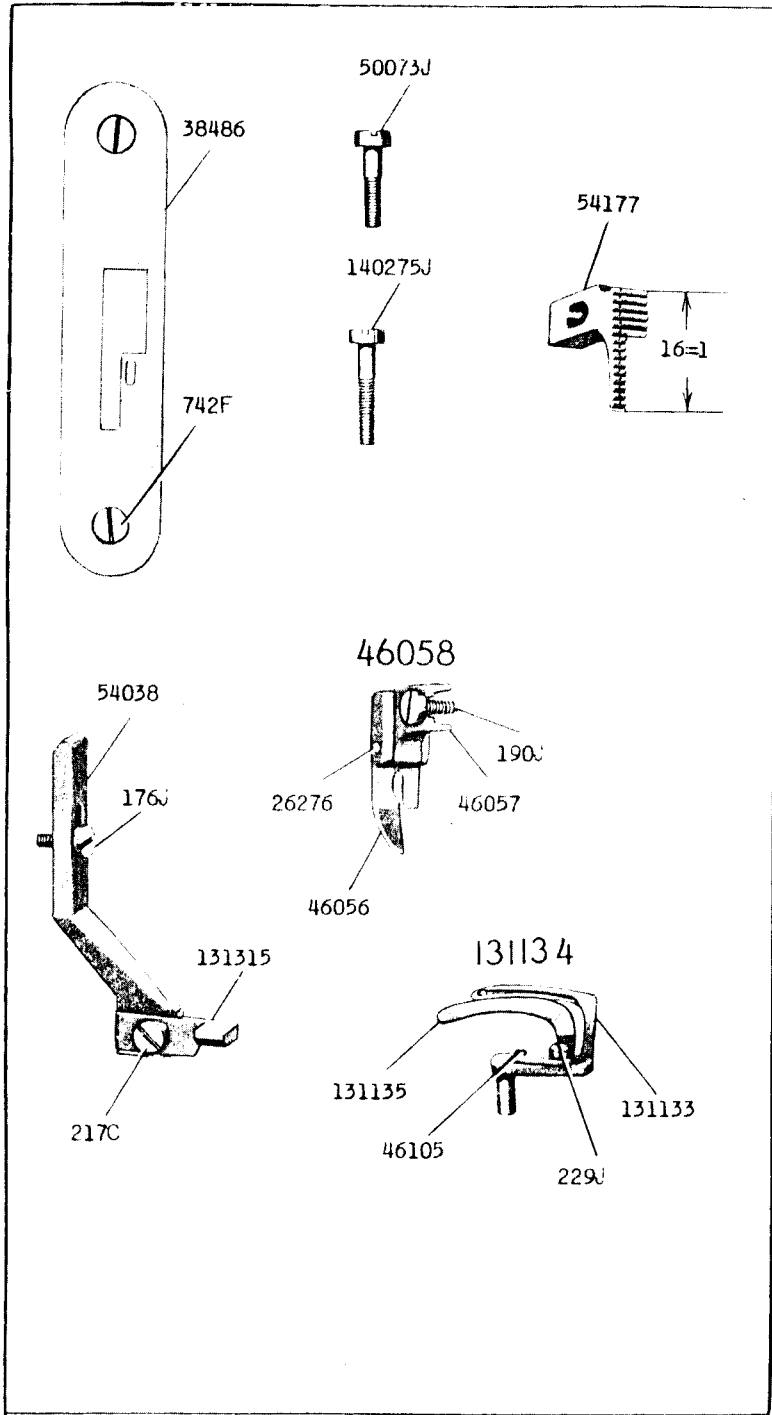


20705 - 1/2



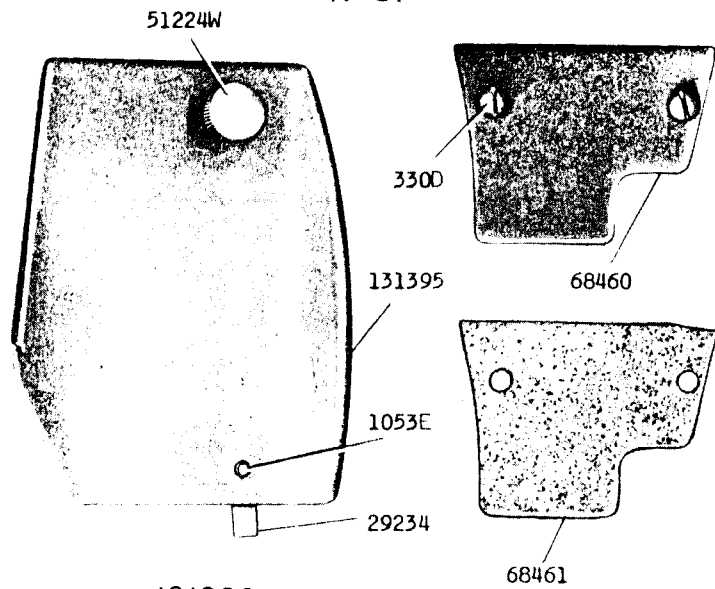
20706 - 2/3



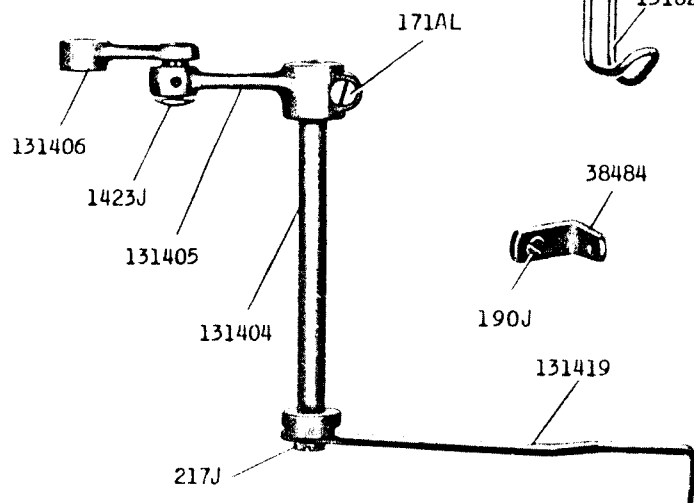
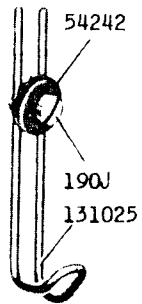
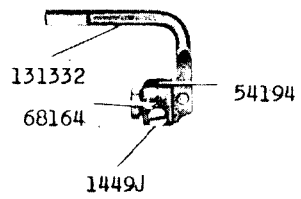


20709 - 2/3

147-81



131333



20710 - 2/3

147-81

121683

