

SINGER

157-3

Form 19711

(341)

Printed in U. S. A.

LIST OF PARTS



MACHINE No. 157-3

—
** A TRADE MARK OF

THE SINGER MANUFACTURING COMPANY

INSTRUCTIONS FOR ORDERING

In ordering from this list, use ONLY the part NUMBER in the FIRST column.

The number stamped on a Sewing Machine Part is in every case the number of the single part only.

Every combination of parts sent out as such has its specific number, which, although not stamped on the parts, must be used when ordering the combination.

Each number always indicates the SAME PART in whatever list it appears, or for whatever machine.

The letters after some of the numbers indicate the style of finish only, as follows:

- A-Hardened, Polished, Nickel Plated and Buffed
- A.A-Buffed and Chromium Plated
- A.B-Hardened, Polished, Buffed and Chromium Plated
- A.C-Brown Baking Enamel Finish
- A.D-Gray Baking Enamel Finish
- A.E-Hardened, Bright Rumbled and Nickel Plated
- A.F-Hardened, Bright Rumbled, Nickel Plated, Bright Rumbled and Chromium Plated
- B-Polished, Nickel Plated and Buffed
- C-Hardened Only
- C.R-Hardened and Merlized
- D-Polished Only
- E-Soft, Not Polished
- F-Hardened and Polished
- F.J-Hardened, Polished and Nickel Plated
- G-Bright Rumbled and Nickel Plated
- H-Blued
- J-Nickel Plated Only
- K-Hardened and Nickel Plated
- L-Brass Plated
- M-Oxidized
- N-Japanned, Dull
- P-Japanned, Bright
- P.P-Wrinkle Finish
- R-Merlized
- S-Cadmium Plated
- T-Copper Plated
- T.A-Hardened, Polished, Copper and Nickel Plated and Buffed
- T.B-Copper and Nickel Plated and Polished
- T.J-Copper and Nickel Plated Only
- T.K-Hardened, Copper and Nickel Plated
- T.L-Copper and Brass Plated
- T.M-Copper Plated and Oxidized
- U-Zinc Plated
- V-Silver Plated
- W-Polished and Nickel Plated
- X-Black Oxide, for Iron and Steel
- X.C-Hardened and Black Oxide, for Iron or Steel
- Y-Black Nickel Plated Only
- Z-Chromium Plated
- Z.A-Hardened, Polished, Nickel Plated, Buffed and Chromium Plated
- Z.B-Polished, Nickel Plated, Buffed and Chromium Plated
- Z.C-Hardened and Chromium Plated
- Z.D-Polished and Chromium Plated
- Z.G-Bright Rumbled, Nickel Plated, Bright Rumbled and Chromium Plated
- Z.J-Nickel and Chromium Plated
- Z.T-Copper and Chromium Plated

These letters MUST BE USED when they appear in the list; and AFTER the number as in the list.

In this series:

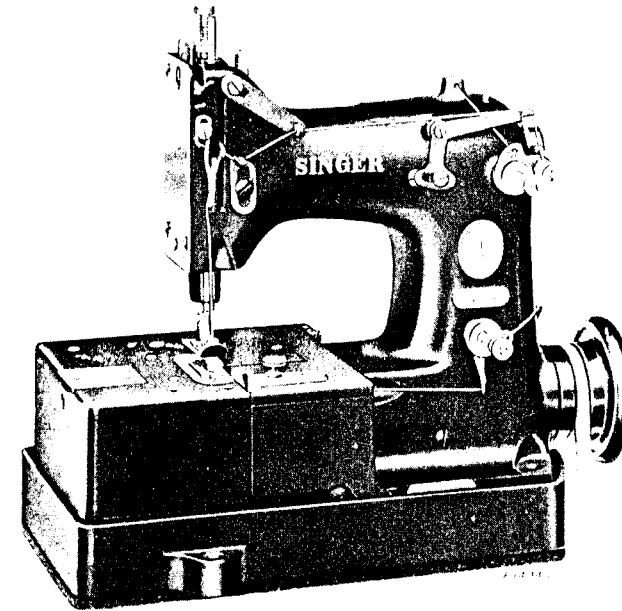
- 1 to 1500, 50001 to 51500 and 140001 to 142000 are Screw Numbers
- 1501 to 1800 and 51501 to 51800 are Nut Numbers
- 1801 to 2000 and 51801 to 52000 are Roller Numbers
- 2001 to 50000 and 52001 to 140000 and 142001 to 190000 are Sewing Machine Parts, 190001 and upward are numbers of Electrical Parts.

The figures in the second column refer only to the plates, illustrating the parts, and are NOT TO BE USED in ordering.

Parts marked with an asterisk (*) are furnished only when repairs are made at factory.

LIST OF PARTS COMPLETE FOR

5



MACHINE No. 157-3

For Bags Made From Clay-Filled or Other Light Material.
One-needle, one looper. Length of stitch 3 1/2 to 8 to the inch.
Clearance under presser foot 9/32 inch. Splash lubrication.
Speed up to 4500, according to the material being stitched.

No.	Plate	Name
*138819	-----	Arm, upper and lower (solid) with 443AL, 15404, 50374E, 50961E, 51333R, 138765 and two each 1186E, 15405 and 50617R
138765	21741	Arm Insert (lower).....
1186E	21741	" " " Screw (2).....
138766	21741	" Oil Lead for oiling Arm Rotary Shaft Intermediate Bearing.....
443AL	21741	Arm Oil Lead Set Screw.....
50374E	21741	" " Plug Screw (bottom of arm).....
50249E	21741	" " " " (center of arm) (2)
50617R	21740	" " " " (side of arm) front (2).....
50961E	21740	Arm Oil Plug Screw (top of arm).....
51333R	21740	" " " " for plugging hole used to adjust Tension (upper thread automatic).....

No.	Plate	Name
130703	21740	Arm Oil Tube with 54969, for oiling Needle Bar Connecting Link.....
130704	21740	Arm Oil Tube with 54969, for oiling Needle Bar Connecting Link Hinge Pin (lower).....
138767	21740	Arm Oil Tube with 138769, for oiling Arm Rock Shaft Front Bearing.....
138768	21740	Arm Oil Tube with 138770, for oiling Arm Rock Shaft Back and Intermediate Bearings (2).....
54969	21740	Arm Oil Tube Oil Pad (braided cotton) for 130703 and 130704 (2).....
138769	21740	Arm Oil Tube Oil Pad (braided cotton) for 138767.....
138770	21740	Arm Oil Tube Oil Pad (braided cotton) for 138768.....
130707	21740	Arm Rock Shaft with 624AL.....
130860	-----	" " " 130707 with 130874.....
130708	21740	" " " Bushing (back).....
443AL	21740	" " " " " Set Screw..
130907	21740	" " " " " (intermediate)...
443AL	21740	" " " " " " Set Screw.....
130876	21740	Arm Rock Shaft Crank, back (ball bearing, solid) with 1396E.....
1396E	21740	Arm Rock Shaft Crank (back) Clamping Screw.....
40025	21740	Arm Rock Shaft Crank (back) Pin.....
130909	21740	" " " Flanged Bushing (front)..
443AL	21740	" " " " " " Set Screw.....
130960	21741	Arm Rotary Shaft.....
130961	-----	" " " 130960 with 691C and 130972.....
130720	21741	Arm Rotary Shaft Bushing (front).....
443AL	21741	" " " " " " Set Screw
130722	21741	" " " " " (intermediate).
448AL	21741	" " " " " " Set Screw.....
130896	21741	Arm Rotary Shaft Counterbalance with 130898 and two 896AL.....
896AL	21741	Arm Rotary Shaft Counterbalance Cap Screw (2).....
130898	-----	Arm Rotary Shaft Counterbalance Position Pin.....
130884	21741	Arm Rotary Shaft Flanged Bushing (back).
159F	21741	" " " " " " Screw (3).....
130962	-----	Arm Rotary Shaft Oil Sling (back).....
130972	21741	" " " " " " 130962 with 130963.....

No.	Plate	Name
130963	-----	Arm Rotary Shaft Oil Sling (back) Oil Tube.....
691C	21741	Arm Rotary Shaft Oil Sling (back) Screw.
130730	-----	" " " " " (front).....
130973	21741	" " " " " " 130730 with 130731.....
130731	-----	Arm Rotary Shaft Oil Sling (front) Oil Tube.....
144D	21741	Arm Rotary Shaft Screw.....
138771	21740	" Side Cover (back).....
138772	21740	" " " " Gasket.....
138773	21740	" " " " Retainer.....
176J	21740	" " " " " Screw (6)
138813	21740	" " " (end).....
138814	21740	" " " " Gasket (cork).....
704J	21740	" " " " Screw.....
138854	21741	Balance Wheel, 2 in. pulley, with two 51283AL (round belt groove).....
138855	-----	Balance Wheel (2.9 in. outside diam. of belt groove) with two 51283AL ("V" belt groove).....
Note: No. 138854 is regularly furnished with this machine.		
51283AL	21741	Balance Wheel Set Screw (2).....
138774	21743	Cloth Plate with two each 889AL and 46224.....
130865	21743	Cloth Plate Extension.....
130866	21743	" " " Hinge Stud.....
130867	21743	" " " " " Bearing with 152E.....
152E	21743	Cloth Plate Extension Hinge Stud Bearing Clamping Screw.....
596D	21743	Cloth Plate Extension Hinge Stud Bearing Screw.....
889AL	21743	Cloth Plate Extension Hinge Stud Set Screw (2).....
51262C	21743	Cloth Plate Extension Lock Screw Stud...
130868	21743	" " " " Spring.....
50183F	21743	" " " " " Screw (large).....
162F	21743	Cloth Plate Extension Lock Spring Screw (small).....
46224	21743	Cloth Plate Oil Cup (2).....
140353F	21743	" " Screw (3).....
49016	21743	" " Slide.....
138775	21743	" " " Spring.....
51282J	21743	" " " " Screw (2).....
138776	21743	Cloth Plate Slide complete, Nos. 49016, 138775 and two 51282J.....
138777	21743	Cloth Plate complete, Nos. 162F, 596D, 894F, 50183F, 51262C, 130865 to 130868, 130902, 138774 and 138776.....

No.	Plate	Name
138856	21740	Crank Connecting Rod with two 896AL.....
896AL	21740	" " " " Cap (upper) Screw (2).....
138850	21740	Crank Connecting Rod End Bearing (lower) with four 140352AL.....
140352AL	21740	Crank Connecting Rod End Bearing (lower) Cap Screw (4).....
130754	21740	Crank Connecting Rod End Bearing (lower) Hinge Screw Stud.....
1664J	21740	Crank Connecting Rod End Bearing (lower) Hinge Screw Stud Nut.....
138857	-----	Crank Connecting Rod complete, Nos. 1664J, 130754, 138850 and 138856....
138858	-----	Crank Connecting Rod 138857 with 130876.
130737	21743	Face Plate.....
138820	21743	" " Gasket.....
177F	21743	" " Screw (large).....
193F	21743	" " " (small) (3).....
138782	21742	Feed Bar with 457AL.....
130738	21742	" " Hinge Pin.....
457AL	21742	" " " " Set Screw.....
130886	21741	" Connecting Rod with two 896AL.....
138783	-----	" " " 130886 with 138786..
896AL	21741	" " " Cap Screw (2).....
130889	21741	" " " Crank.....
1480C	21741	" " " Cap Screw.....
1396E	21742	" " " Clamping Screw
138821	21747	" Dog, 15 teeth (10 teeth to the inch) for 130927, 130936, 130937 and 138826, for light and medium bags...
138827	21749	Feed Dog, 15 teeth (14 teeth to the inch) for 138832, for light bags.....
130934	21748	Feed Dog, 15 teeth (10 teeth to the inch) with thread channel .005" deep, for making 3 1/2 to 8 stitches to the inch for medium weight bags, for 130927, 130936 and 130937.....
130935	21748	Feed Dog, 15 teeth (10 teeth to the inch) for medium weight bags, for making 3 1/2 to 8 stitches to the inch, for 130927, 130936 and 130937.....
130995	21749	Feed Dog, 12 teeth (8 teeth to the inch) for 3 1/2 to 6 stitches to the inch, for 131000.....
138751	21750	Feed Dog, 15 teeth (10 teeth to the inch) two row feeding surface, for 3 1/2 to 6 stitches to the inch, for 138754 and 138755.....

No.	Plate	Name
130971	21748	Feed Dog, 15 teeth (10 teeth to the inch) with thread channel .008" deep, for medium weight bags, for making 3 1/2 to 8 stitches to the inch, for 130927, 130936 and 130937.....
Note: No. 138821 is regularly furnished with this machine.		
138763	21742	Feed Dog Clamp.....
50073C	21742	" " Screw.....
51061AL	21741	" Eccentric Body Set Screw (2).....
7071	21741	" " Clamping Washer.....
217J	21741	" " " " Screw....
138786	21741	Feed Eccentric (adjustable) with 217J, 1103C, 7071 and two 51061AL.....
138787	21741	Feed Eccentric Oil Guard.....
138788	21741	" " " " Spring.....
50415E	21741	" " " " Screw...
138789	21741	" " Vibration Damper.....
157E	21741	" " " " Screw (2)
138790	21741	" Lifting Eccentric with two 1036AL..
138791	21741	" " " Connection with 457AL.....
49030	21742	Feed Lifting Eccentric Connection Hinge Pin.....
457AL	21741	Feed Lifting Eccentric Connection Hinge Pin Set Screw.....
138792	21741	Feed Lifting Eccentric Connection Oil Guard.....
138793	21741	Feed Lifting Eccentric Connection Oil Guard Holder.....
1396E	21741	Feed Lifting Eccentric Connection Oil Guard Holder Screw.....
1036AL	21741	Feed Lifting Eccentric Set Screw (2)...
1103C	21741	" Regulating Screw.....
130893	21742	" Rocking Frame with 1396E.....
130894	-----	" " " 130893 with 130746...
11398	21742	" " " Hinge Pin.....
58293	-----	" " " " " 11398 with 1508E.....
1508J	21742	Feed Rocking Frame Hinge Pin Nut.....
622C	21742	" " " " " Screw Bush- ing.....
1508J	21742	Feed Rocking Frame Hinge Pin Screw Bush- ing Nut.....
130746	21742	Feed Rocking Frame Oil Pad (braided cotton).....
27398	21742	Feed Rocking Frame Washer (2).....
121743	21743	Guide.....
194D	21743	" Screw Stud.....
671D	21743	" Thumb Screw.....

No.	Plate	Name
130747	21750	Looper for two-thread chain stitch for medium and long stitch.....
130921	21750	Looper for single-thread chain stitch...
138844	21750	" (straight) for two-thread chain stitch, for light thread, for short stitch.....
138845	21750	Looper (off-set on heel) for two-thread chain stitch, for light thread, for short stitch.....
138846	21750	Looper (off-set on heel) for two-thread chain stitch, for light and medium thread, for short and medium stitch.
Note: Nos. 130747 and 138846 are sent with this machine.		
130748	21742	Looper Bell Crank with 51408AL, 130749 and 130939.....
46228	21742	Looper Bell Crank Ball Stud.....
51408AL	21742	" " " " " Set Screw...
130750	21742	" " " " " Connection with two 171AL.....
130872	21742	Looper Bell Crank Connection 130750 with 46228.....
171AL	21742	Looper Bell Crank Connection Cap Screw (2).....
130752	21741	Looper Bell Crank Connection Driver with two 1057AL.....
1057AL	21741	Looper Bell Crank Connection Driver Cap Screw (2).....
130754	21741	Looper Bell Crank Connection Hinge Screw Stud.....
1664J	21741	Looper Bell Crank Connection Hinge Screw Stud Nut.....
130755	21742	Looper Bell Crank Hinge Stud.....
435AL	21742	" " " " " Set Screw (lower).....
448AL	21742	Looper Bell Crank Hinge Stud Set Screw (upper).....
130749	21742	Looper Bell Crank Oil Pad (felt).....
130939	21742	" " " " " Retainer.....
130756	21742	" Carrier with 130760 and three 1147AL.....
130757	21742	Looper Carrier Connection with four 175E
130873	-----	" " " " 130757 with 130956 and 130970.....
130970	21742	Looper Carrier Connection Ball Screw Stud (eccentric) right.....
1518J	21742	Looper Carrier Connection Ball Screw Stud (right) Nut.....
49043	21742	Looper Carrier Connection Ball Screw Stud (right) Nut Washer.....

No.	Plate	Name
130956	21742	Looper Carrier Connection Ball Stud (left).....
1147AL	21742	Looper Carrier Connection Ball Stud (left) Set Screw.....
49043	21742	Looper Carrier Connection Ball Stud (left) Washer (fibre).....
175E	21742	Looper Carrier Connection Cap (left) Screw (2).....
175E	21742	Looper Carrier Connection Cap (right) Screw (2).....
130759	21742	Looper Carrier Hinge Stud.....
49166	21742	" " " " Collar with two 202F.....
202F	21742	Looper Carrier Hinge Stud Collar Set Screw (2).....
896AL	21742	Looper Carrier Hinge Stud Set Screw....
130760	21742	" " Oil Pad (braided cotton).
130761	21741	" " Rock Shaft.....
130762	21741	" " " " Crank (back) forked, with 51313AL.....
51313AL	21741	Looper Carrier Rock Shaft Crank (back) Position Screw.....
138853	21742	Looper Carrier Rock Shaft Crank (front) with 896AL and two 157E.....
157E	21741	Looper Carrier Rock Shaft Crank (front) Clamping Screw (2).....
49049	21741	Looper Carrier Rock Shaft Crank Slide Block.....
138870	21741	Looper and Thread (under) Take-up Eccentric with two 1036AL.....
1036AL	21741	Looper and Thread (under) Take-up Eccentric Set Screw (2).....
130765	21743	Looper Gate.....
63C	21743	" " Hinge Screw.....
2818	21743	" " " " Friction Washer.
1147AL	21742	" Set Screw (2).....
130766	21740	Needle Bar (hollow).....
130767	21740	" " Bushing (lower).....
435AL	21740	" " " " Set Screw....
130768	21740	" " " " (upper).....
1133AL	21740	" " " " Set Screw....
130769	21740	" " Connecting Link.....
130874	-----	" " " " 130769 with 49268 and 130771.....
*130770	-----	Needle Bar Connecting Link Hinge Pin....
130771	21740	" " " " " " " " 130770 with 130772.....
*130772	-----	Needle Bar Connecting Link Hinge Pin Oil Tube.....
624AL	-----	Needle Bar Connecting Link Hinge Pin Set Screw.....
49268	21740	Needle Bar Connecting Stud with 1454E...

No.	Plate	Name
138801	-----	Tension (under thread) Screw Stud 140242C with 1712C and 51570C.....
59534	21746	Tension (under thread) Spring.....
138802	21746	" " " " Bushing (large).....
59538	21746	Tension (under thread) Spring Bushing (small).....
130807	21746	Tension (under thread) Thread Guide.....
50530K	21746	" (upper thread, automatic) Body..
15770	21746	" " " " Cap...
130808	21740	" " " " Releas- ing Cam with 1036AL.....
1036AL	21740	Tension (upper thread, automatic) Re- leasing Cam Set Screw.....
138849	21740	Tension (upper thread, automatic) Re- leasing Pin.....
9540	21746	Tension (upper thread, automatic) Spring
848K	21746	" " " " Stud..
9541	21746	" " " " " "
		Plug.....
34527	21746	Tension (upper thread, automatic) com- plete, Nos. 848K,9540,9541,15770 and 50530K.....
130849	21746	Tension (upper thread, automatic) Thread Guide.....
190J	21746	Tension (upper thread, automatic) Thread Guide Screw.....
2102	21746	Tension (upper thread) Disc (2).....
51570C	21746	" " " " Regulating Thumb Nut
1712C	21746	" " " " " "
		Lock Nut.....
140242C	21746	Tension (upper thread) Screw Stud.....
138801	-----	" " " " " " 140242C with 1712C and 51570C.....
59534	21746	Tension (upper thread) Spring.....
138802	21746	" " " " Bushing (large).....
59538	21746	Tension (upper thread) Spring Bushing (small).....
49220	21746	Tension (upper thread) Thread Guide.....
130931	21741	Thread (under) Take-up for medium and heavy work.....
Note: No. 130931 is regularly furnished with this machine.		
130810	-----	Thread (under) Take-up for light and medium work.....
130862	21741	Thread (under) Take-up Connection (forked) with two 1057AL.....
1057AL	21741	Thread (under) Take-up Connection Cap Screw (2).....
130864	21741	Thread (under) Take-up Connection Slide Block.....

No.	Plate	Name
190J	21741	Thread (under) Take-up Screw.....
130811	21741	" " " " Thread Guide.....
175J	21741	" " " " " " Screw (2).....
130813	21746	Thread (upper) Controller (back).....
1095F	21746	" " " " Adjusting Screw.....
691F	21746	Thread (upper) Controller (back) Screw..
130814	21746	" " " " Thread Guide.....
940C	21746	Thread (upper) Controller (back) Thread Guide Screw.....
137073	21746	Thread (upper) Controller (front).....
130854	21746	" " " " Eyelet
1708J	21746	" " " " " "
		Nut.....
690D	21746	Thread (upper) Controller (front) Screw..
42290	21746	" " " " " "
		Washer.....
138839	21746	Thread (upper) Pull-off.....
140283R	21746	" " " " Screw.....
130815	21740	" " Take-up with 1147AL.....
1147AL	21740	" " " " Set Screw.....
138826	21748	Throat Plate for 138821, for double thread, for light and medium bags...
Note: Nos. 130927 and 138826 are regularly furnished with this machine.		
130936	21747	Throat Plate (keyhole type needle hole) with 665J and 130928, for single thread, for 130934,130935,130971 and 138821.....
138832	21749	Throat Plate for double thread, for light bags, for 138827.....
130927	21747	Throat Plate for double thread, for medium bags, for 130934, 130935, 130971 and 138821.....
130937	21748	Throat Plate (keyhole type needle hole) for double thread, for medium bags, for 138821.....
131000	21749	Throat Plate for double thread, for 130995.....
138754	21750	Throat Plate with 665J and 130928, for single thread, for 138751.....
138755	21750	Throat Plate, for double thread, for 138751.....
691F	21747	Throat Plate Screw (2).....
130928	21747	" " Thread Retainer for 130936 and 138754.....
665J	21747	Throat Plate Thread Retainer Screw.....
*15404	-----	Trade Mark.....
15405	-----	" " Rivet (2).....

ACCESSORIES

No.	Plate	Name
120344	21751	Oiler (copper plated) with 120345.....
120345	21751	" Spout, 5 in. long.....
11831	21751	Screw Driver (large).....
26026	21751	" " (small).....
120341	21751	Tweezers (curved).....
8909	21751	Wrench for 1518.....
19079	21751	" " 1629.....
23766	21751	" " 1508 and 1518.....

FOOT LIFTER PARTS

No.	Plate	Name
6439	-----	Chain, length 36 in. to 45 in., with 56864 and 56865.....
Note: When ordering No. 6439, state length required.		
4879	21752	Chain Connecting Link.....
56864	21752	" Hook (large).....
56865	21752	" " (small).....
138840	21752	Lifting Lever with 50421C.....
138841	21752	" " Connecting Pin.....
50421C	21752	" " " " Set Screw..
9D	21752	" " Hinge Screw.....
130946	21752	" " Spring.....
57286	21752	Treadle.....
4882	21752	" Shaft.....
4883	21752	" Spring.....
4884	21752	" Stand.....
423AL	21752	" Stop Screw (2).....
1650C	21752	" " " Nut (2).....
57287	21752	Treadle complete, Nos.4879,4882 to 4884, 57286, two each 423AL,1650C and wood screws 1 in. No. 16 F.H.....
138842	-----	Foot Lifter complete, Nos. 9D, 6439, 57287, 130946, 138840 and 138841....

KNEE LIFTER PARTS

No.	Plate	Name
37563	-----	Chain, length 15 in., with 56864 and 56865.....
56864	21752	Chain Hook (large).....
56865	21752	" " (small).....

No.	Plate	Name
138840	21752	Lifting Lever with 50421C.....
138841	21752	" " Connecting Pin.....
50421C	21752	" " " " Set Screw..
9D	21752	" " Hinge Screw.....
130946	21752	" " Spring.....
2763	21752	Rock Shaft.....
12242	21752	" " Hanger with two wood screws 1 in. No. 10 (2).....
2765	21752	Rock Shaft Knee Arm.....
2766	21752	" " " " Hub with 356C.....
356C	21752	" " " " Set Screw.....
2768	-----	Rock Shaft Knee Arm complete, Nos. 2765 to 2767.....
2767	21752	Rock Shaft Knee Plate with 356C.....
356C	21752	" " " " Set Screw.....
6337	21752	" " Lifting Bracket with two 356C
7125	21752	" " " " Hook.....
356C	21752	" " " " " Set Screw
356C	21752	" " " " " Set Screw....
2770	21752	" " Stop Dog with 356C (2).....
356C	21752	" " " " " Set Screw.....
42143	21752	Rock Shaft complete, Nos. 2763, 2768, 6337, 7125 and two each 2770 and 12242.....
138843	-----	Knee Lifter complete, Nos. 9D, 37563, 42143, 130946, 138840 and 138841....

THREAD UNWINDER

(FOR TWO SPOOLS)

No.	Plate	Name
225257	22248	Spool Rest (for two spools) with 201018C
150203	22248	" " Cushion (felt) (2).....
225388	22248	" " Rod.....
200383C	22248	" " " Set Screw.....
201018C	22248	" " Set Screw.....
202490	22248	" Stand with 200383C.....
225391	22248	Thread Guide (2).....
201696J	22248	" " Lock Nut.....
225326	22248	" " Position Cup.....
225324	22248	" " Rod with 208E and 225322...
208E	22248	" " " Screw.....
225322	22248	" " " Washer.....
225258	22248	Thread Unwinder complete, Nos. 201696J, 202490, 225257, 225324, 225326, 225388, two each 150203, 225391 and three wood screws 7/8 in. No. 12 F.H.....

TIMING GAUGE

No.	Plate	Name
138811	21753	Timing Gauge Frame with 452C.....
138848	21753	" " Indicator Pin.....
452C	21753	" " " " Set Screw....
138812	21753	Timing Gauge complete, Nos. 138811 and 138848.....

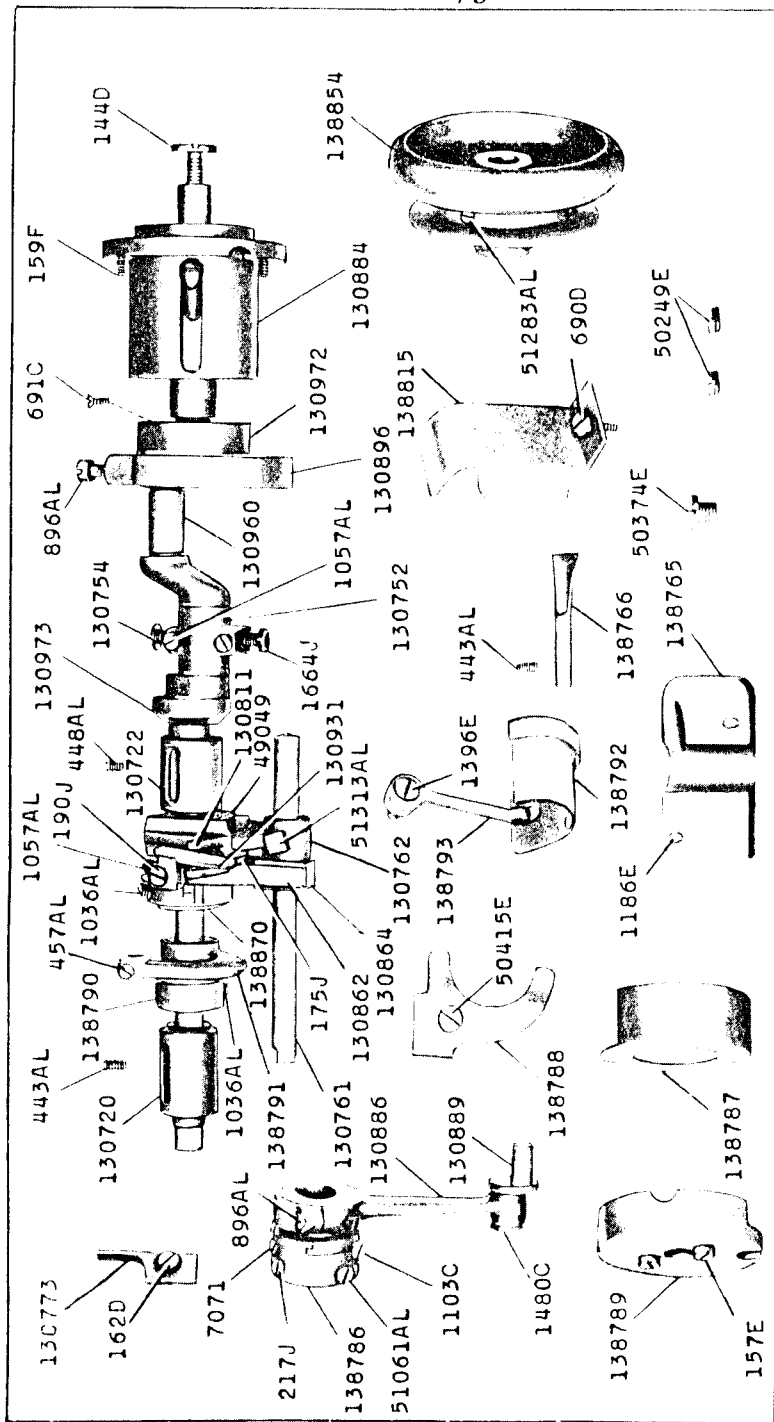
MACHINE BASE

No.	Plate	Name
138859	21744	Machine Base with three 131022.....
138804	21744	" " Bushion (felt).....
138805	21744	" " Oil Level Plate.....
1177E	21744	" " " " Screw.....
138861	21744	" " " Strainer (lower) (2)
138862	21744	" " " " (upper).....
138810	21744	" " " Cover with 1191D
1191D	21744	" " " " Thumb Screw
1029E	21744	" " " " Screw (2).....
131022	21744	" " " Screw Bushing (rubber) (3)
140243R	21744	" " " " Stud.....
140244E	21744	" Screw (3).....
138860	-----	Machine Base complete, Nos.1177E,138805, 138859,138862 and two each 1029E and 138861.....

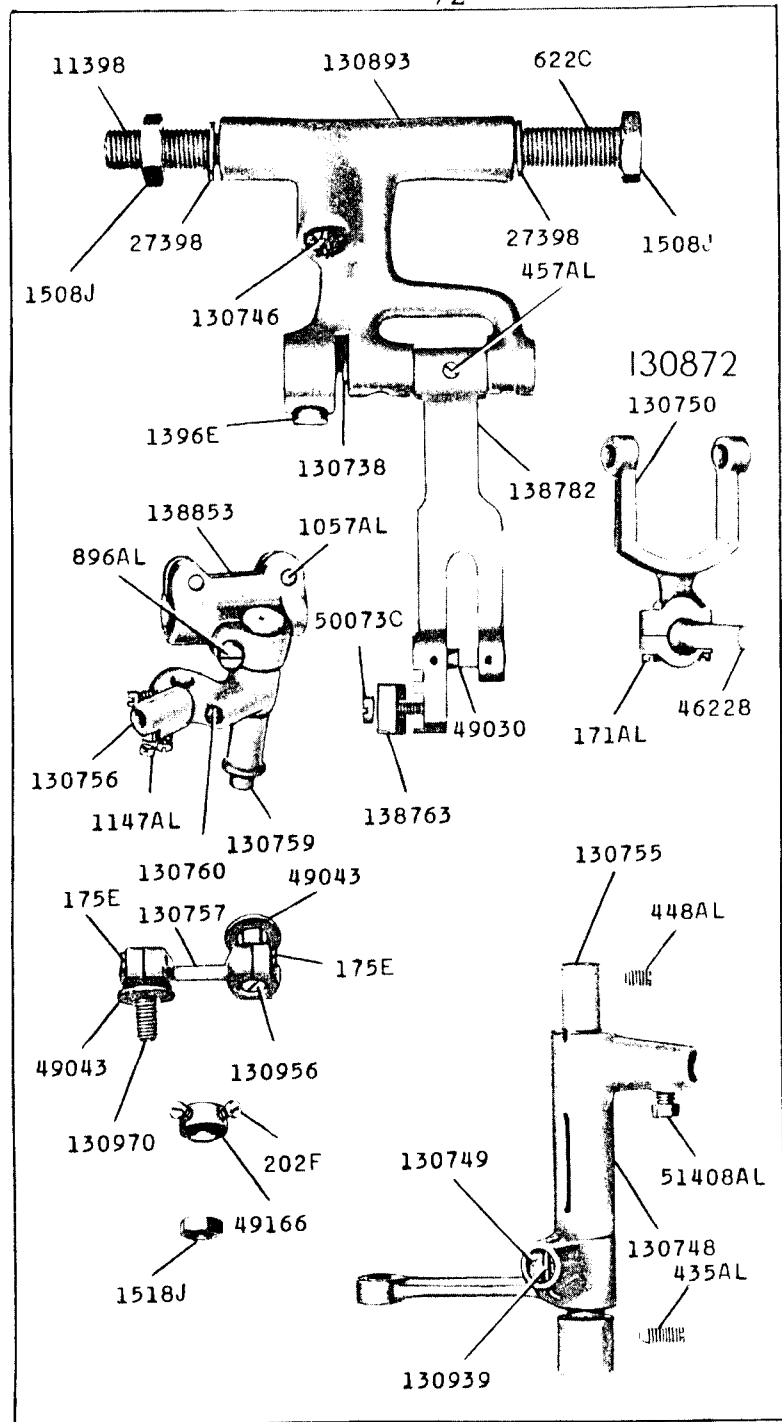
OBSOLETE PARTS

No.	Plate	Name
130877	21753	Crank Connecting Rod (rod only, hollow).
138847	21753	" " " End Bearing (lower) with two 158E, obsolete, use 138850.
158E	-----	Crank Connecting Rod End Bearing (lower) Cap Screw (2).....
130878	21753	Crank Connecting Rod End Bearing (lower) Connection.....
130881	21753	Crank Connecting Rod End Bearing (upper) with two 896AL.....
1756E	21753	Crank Connecting Rod Nut (lower).....
1757E	21753	" " " " (upper).....
138779	21753	Crank Connecting Rod complete, Nos. 1664J, 1756E, 1757E, 130754, 130877, 130878, 130881 and 138847, obsolete, use 138851.....
138851	-----	Crank Connecting Rod complete, Nos. 1664J, 1756E, 1757E, 130754, 130877, 130878, 130881 and 138850, obsolete, use 138857.....
138780	-----	Crank Connecting Rod 138779 with 130876, obsolete, use 138852.....
138852	-----	Crank Connecting Rod 138851 with 130876, obsolete, use 138858.....
138803	21754	Machine Base with three 131022,obsolete, use 138860.....
138806	21754	Machine Base Oil Strainer (lower) obso- lete, superseded by 138861, not in- terchangeable.....
138807	21754	Machine Base Oil Strainer (upper) obso- lete, superseded by 138862, not in- terchangeable.....
138808	21754	Machine Base Oil Strainer Pad (felt)....
138809	21754	" Packing Plate.....

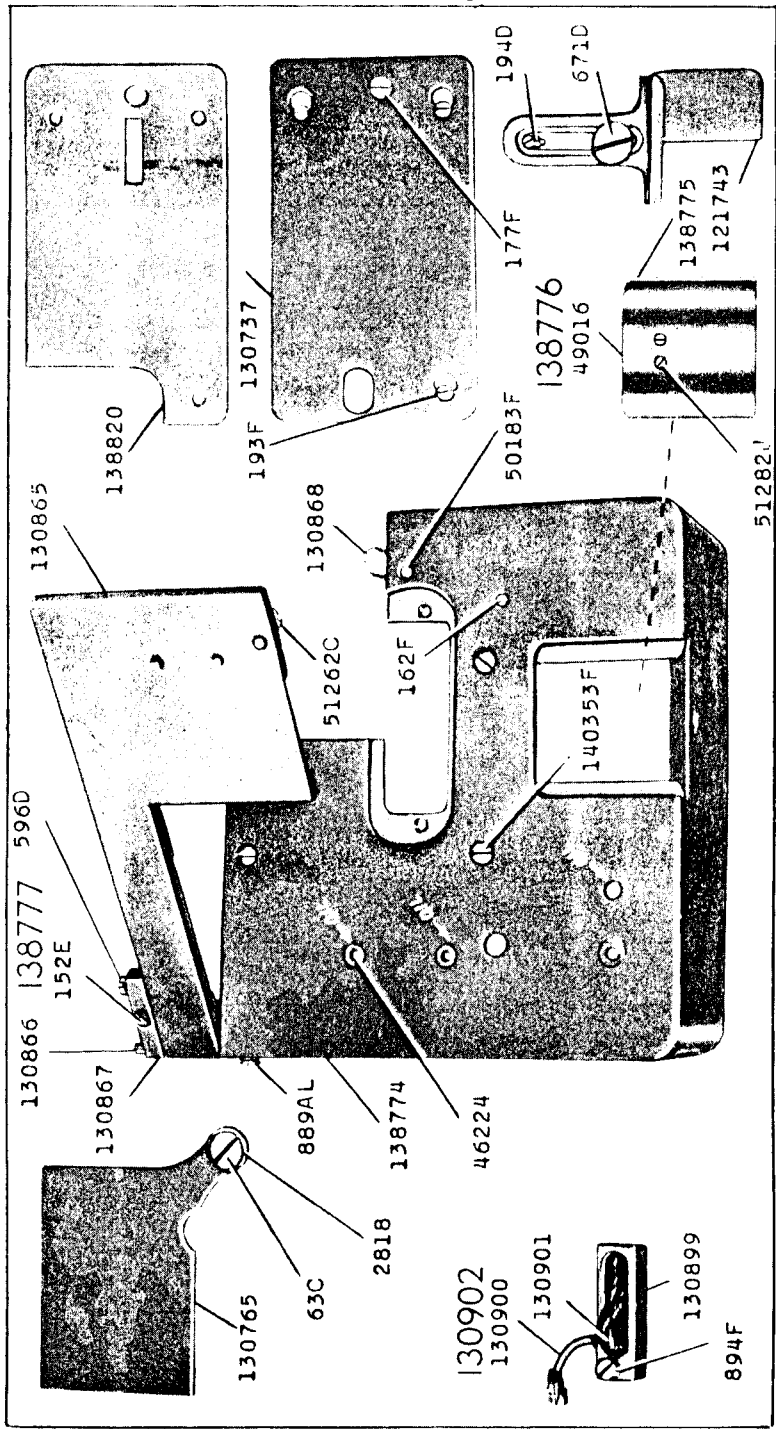
21741 - 1/3



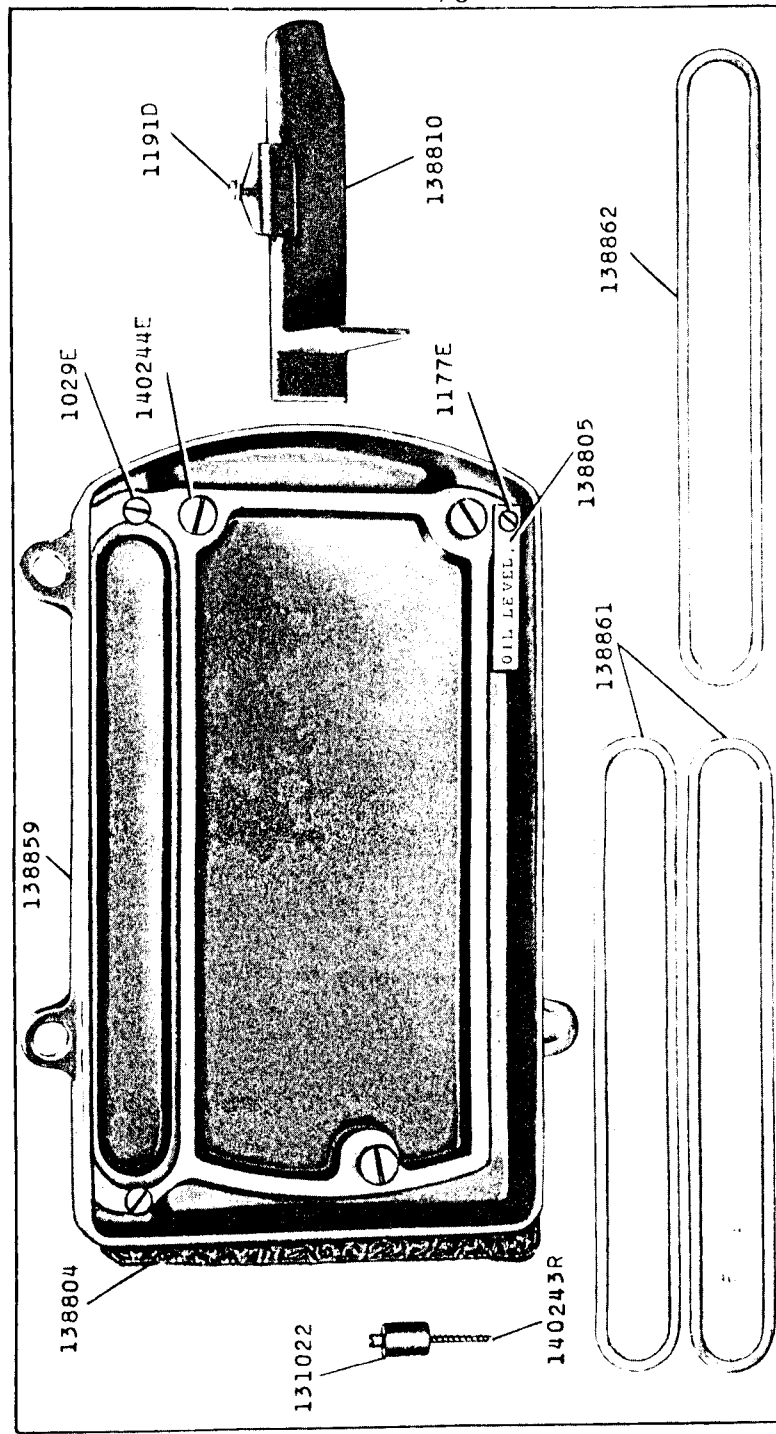
21742 - 1/2



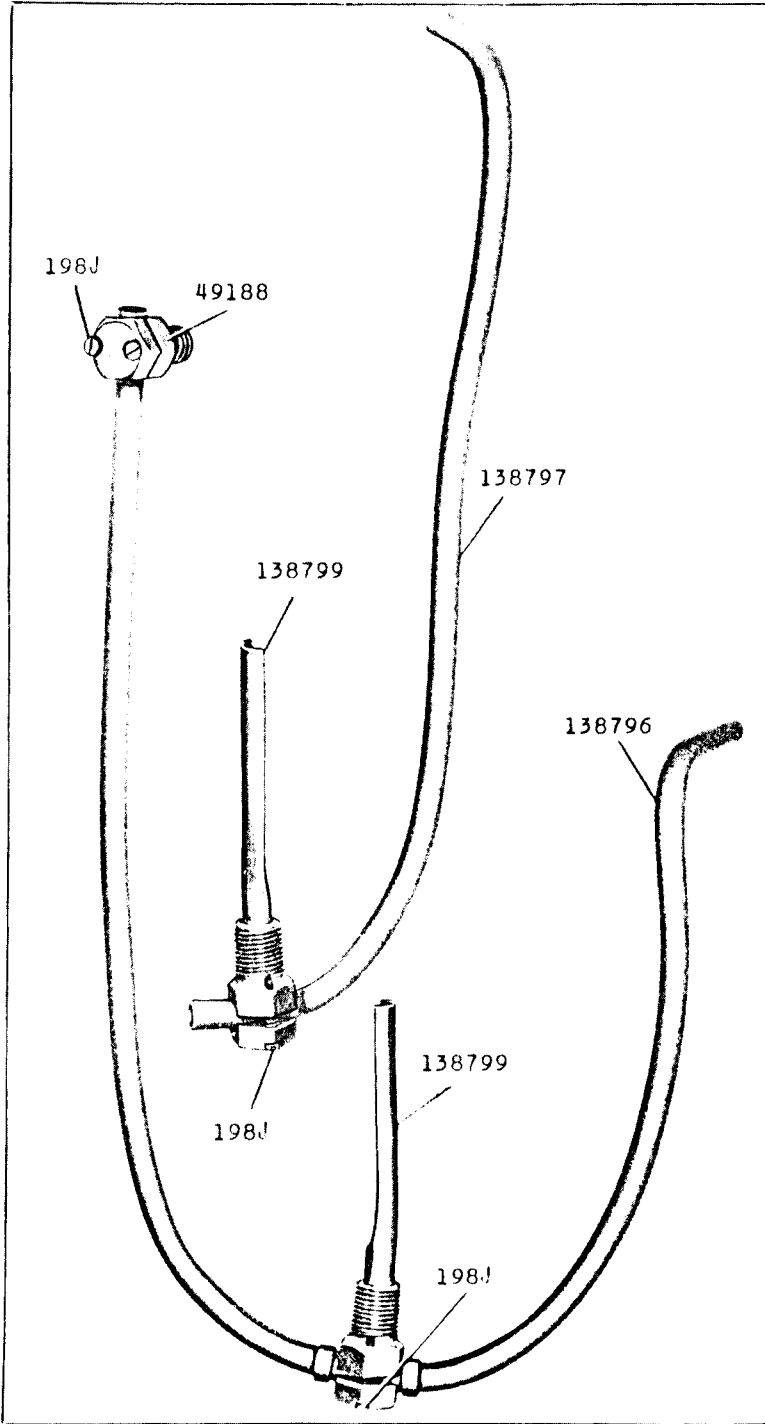
21743 - 1/3



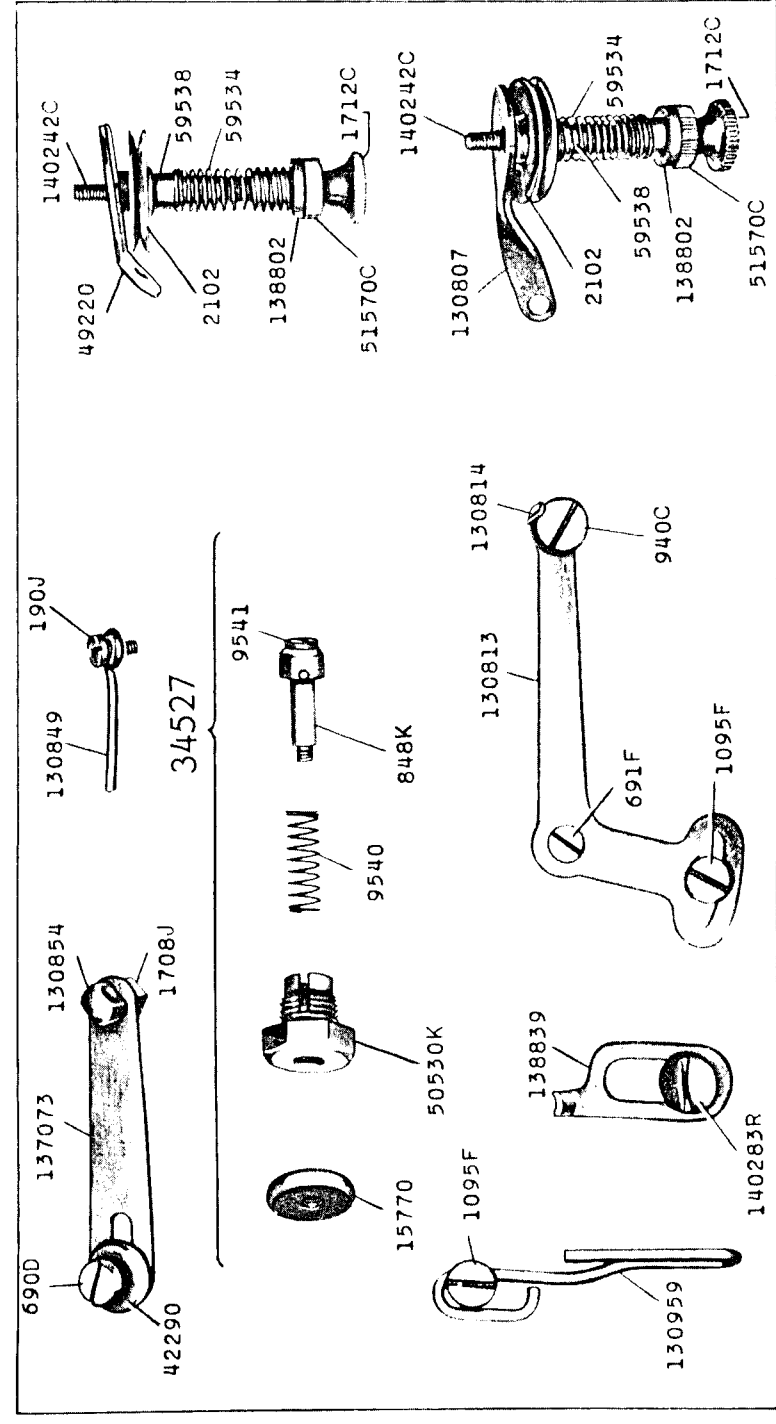
21744 - 1/3



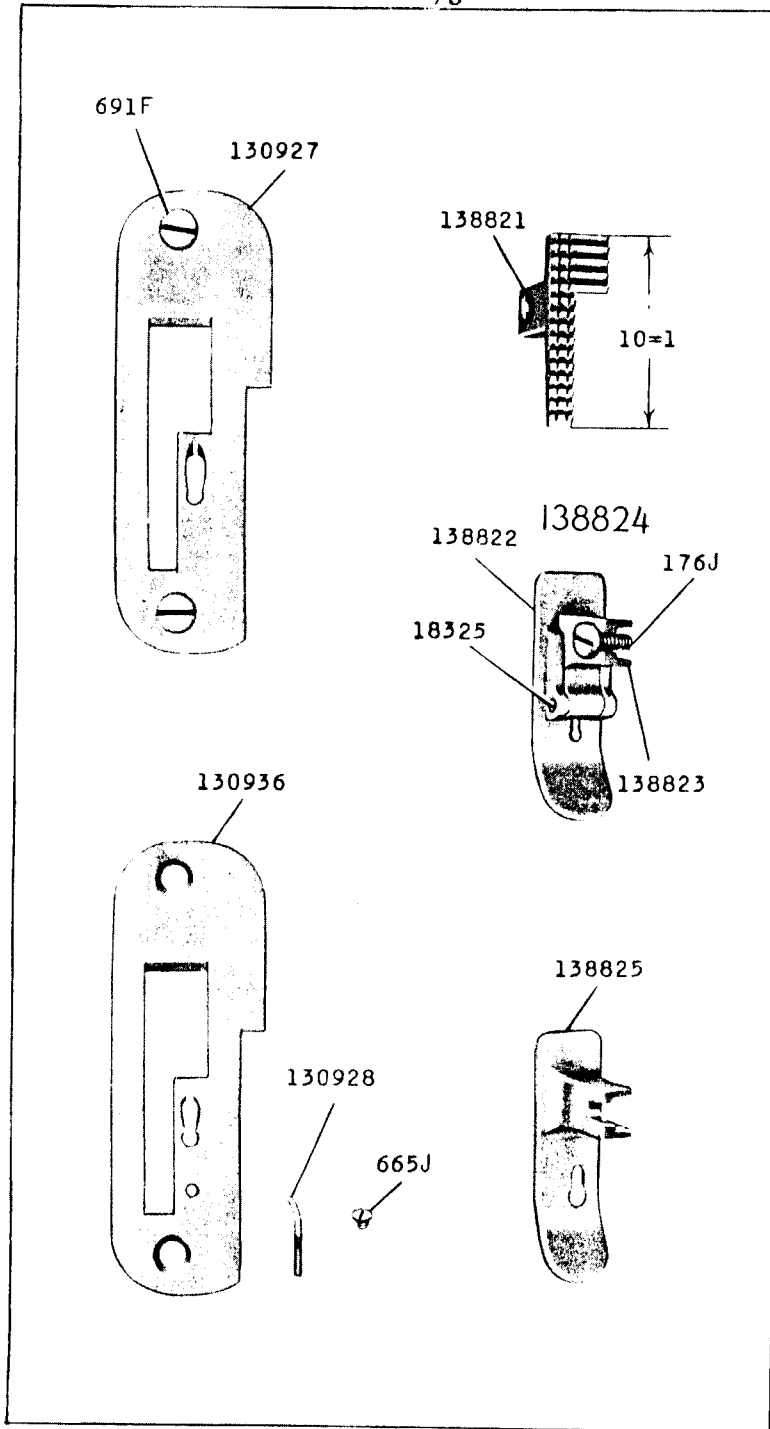
21745 - 1/2



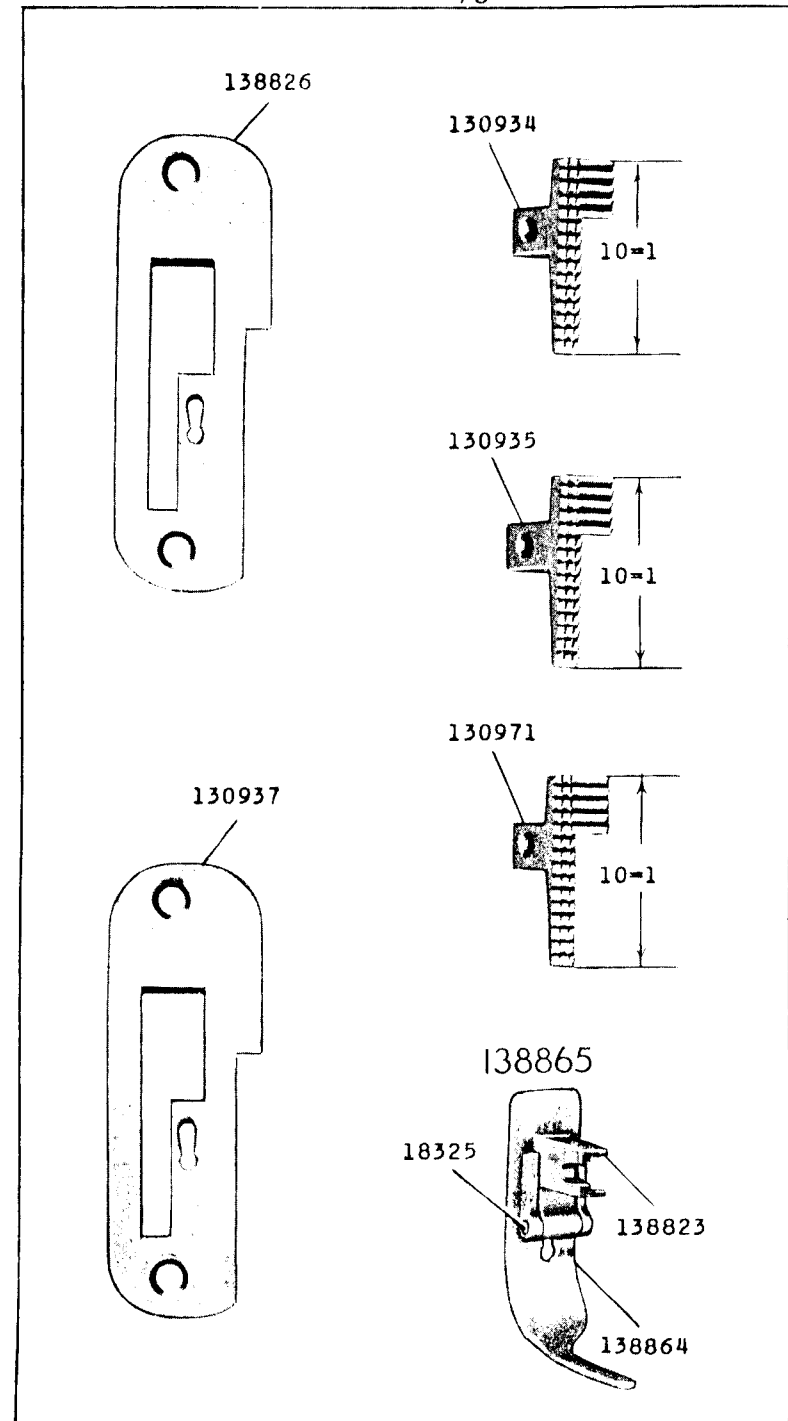
21746 - 2/3



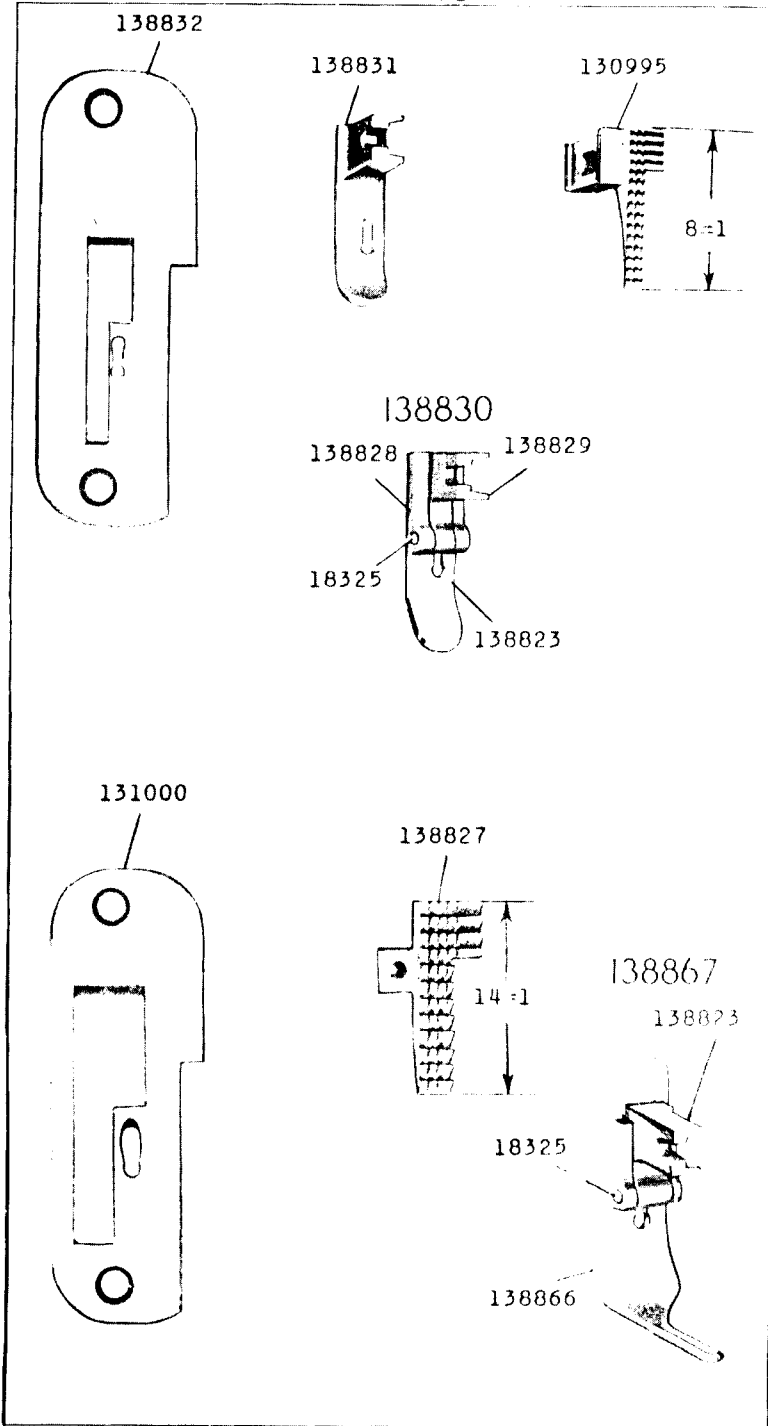
21747 - 2/3



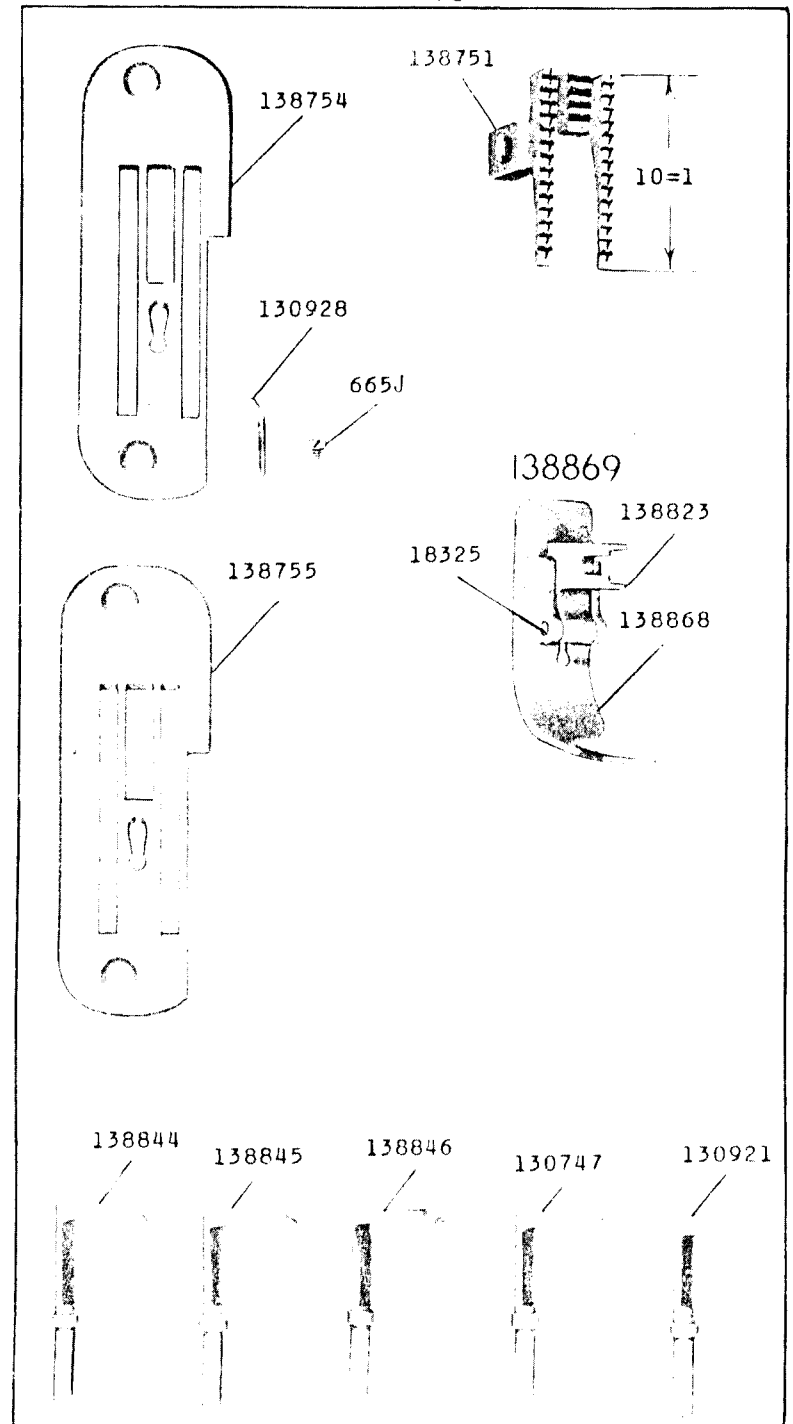
21748 - 2/3



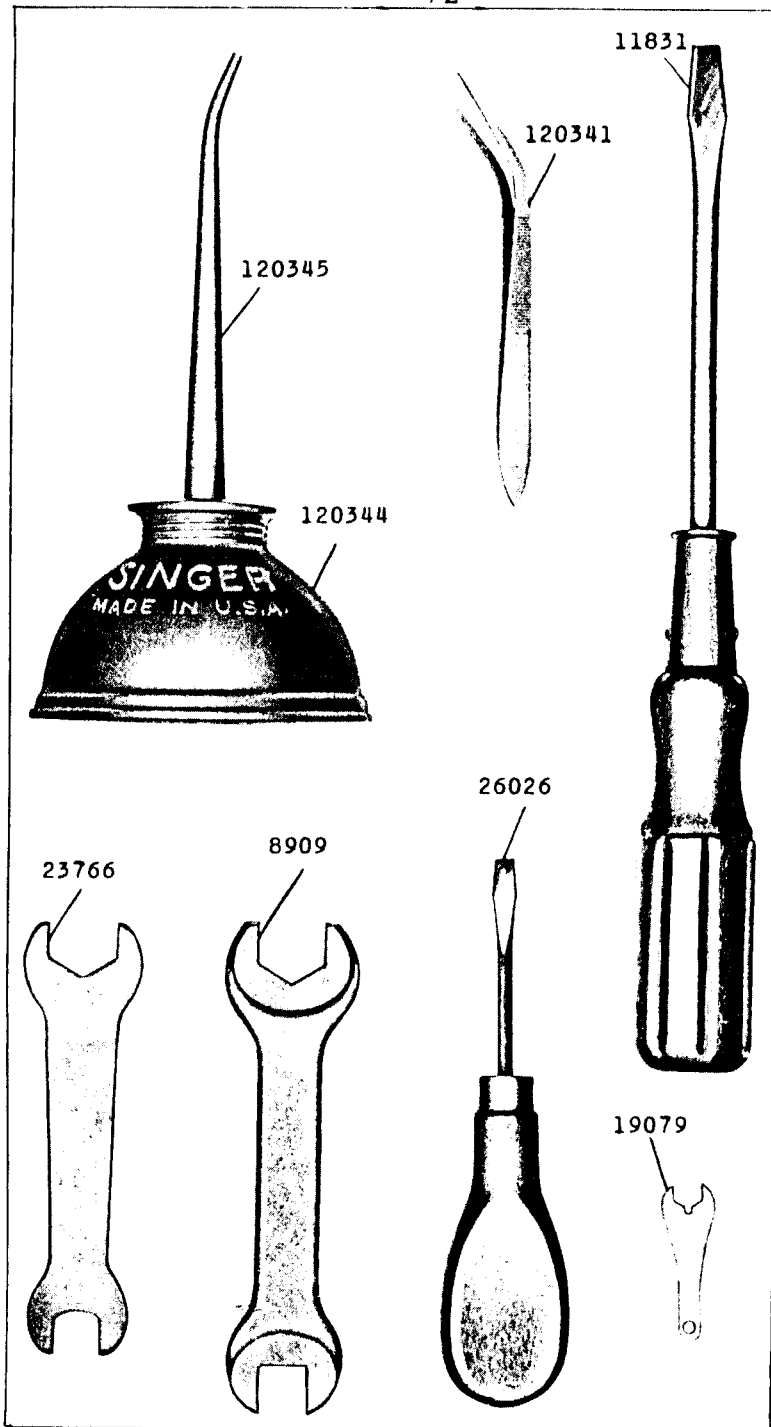
21749 - 2/3



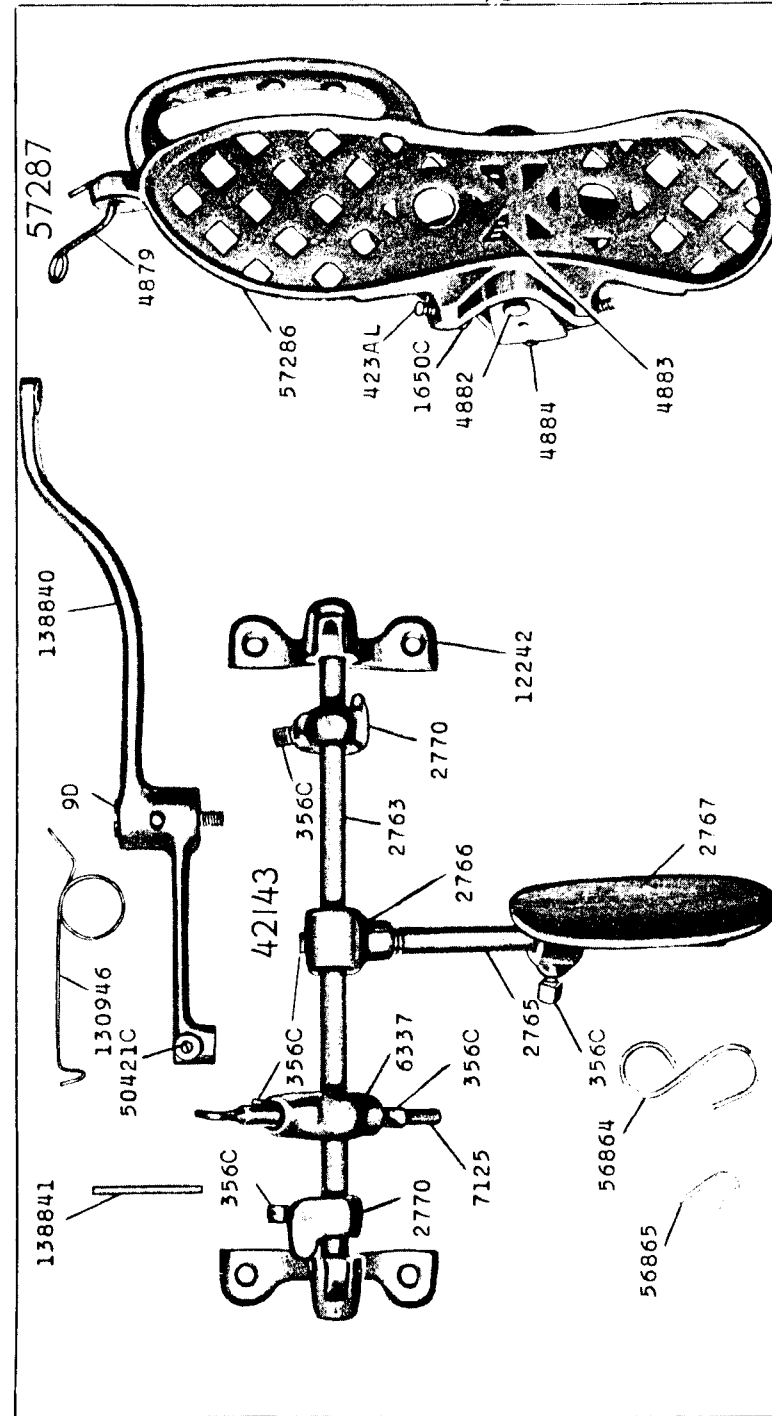
21750 - 2/3



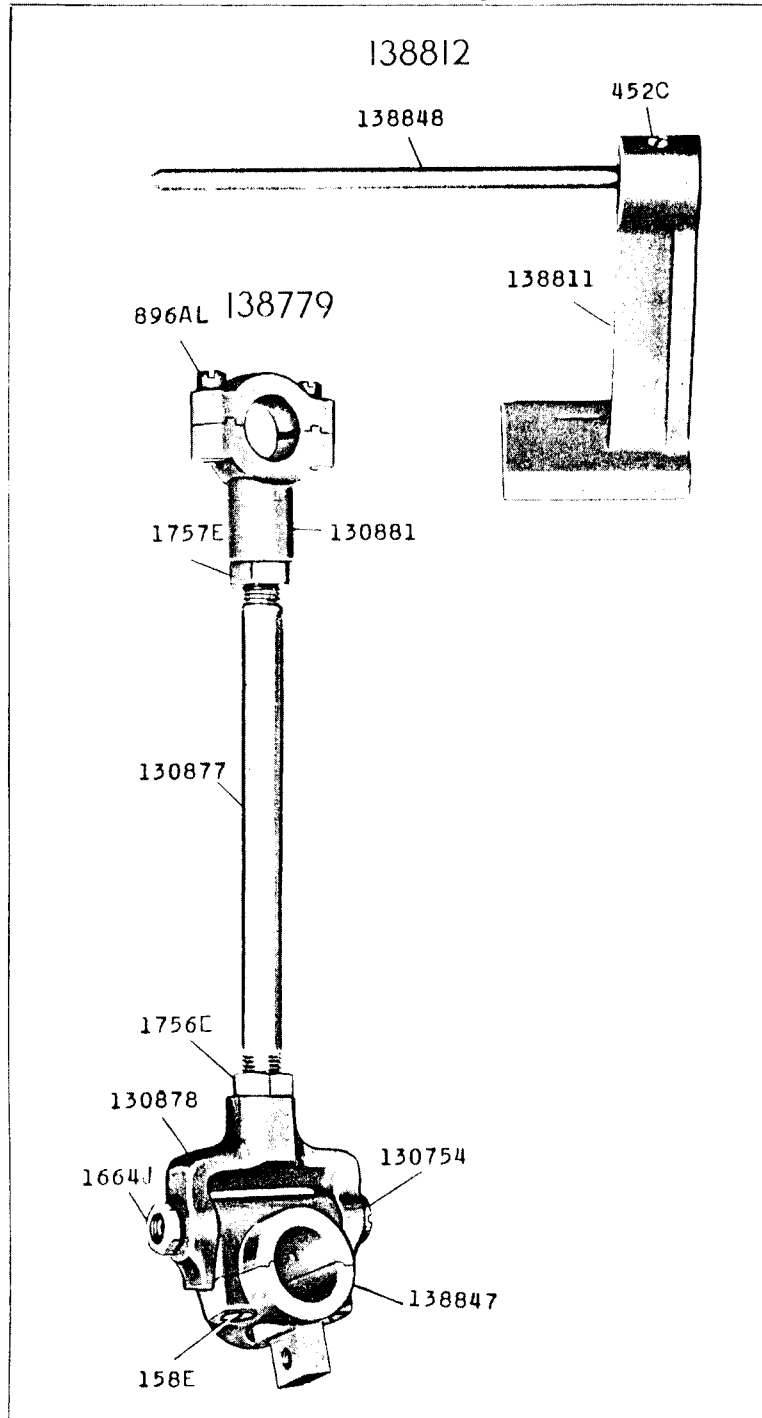
21751 - 1/2



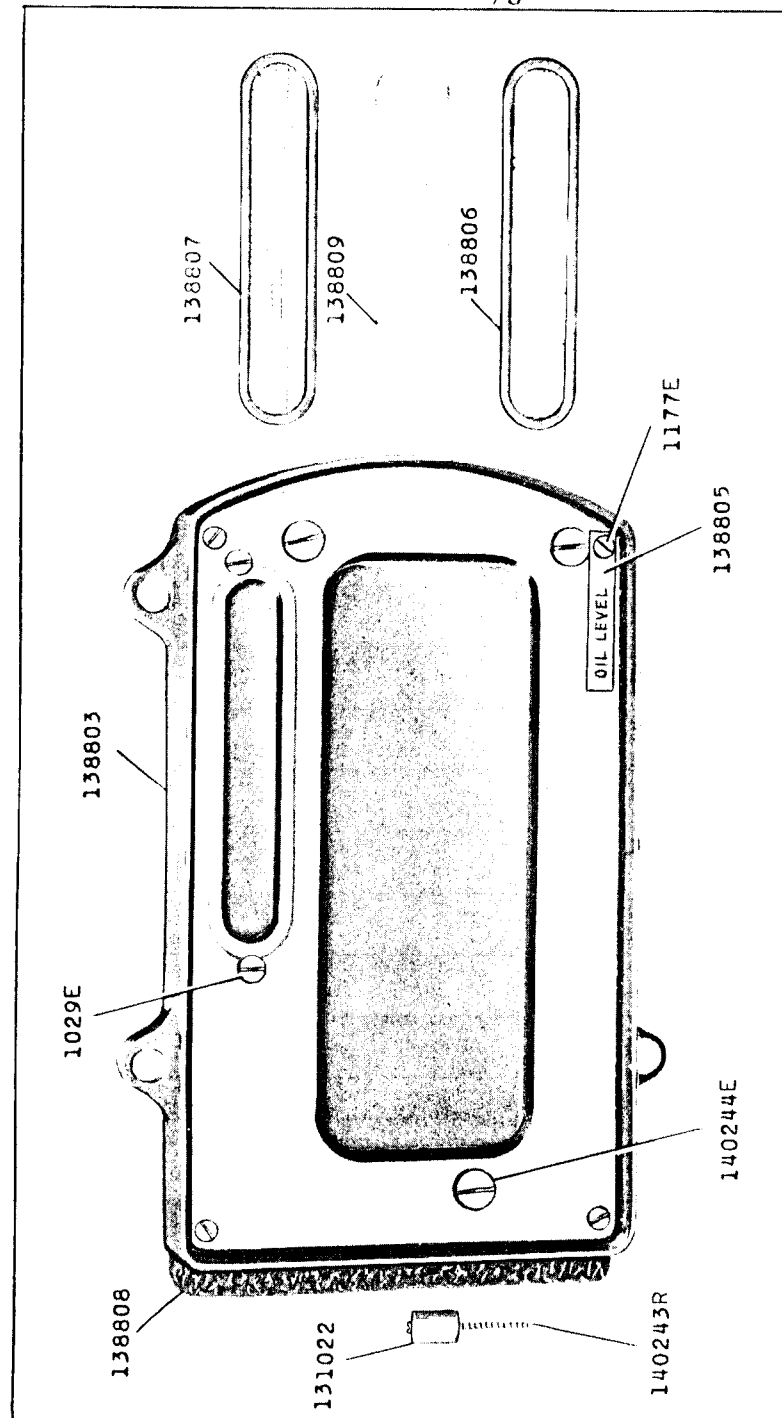
21752 - 1/3



21753 - 2/3

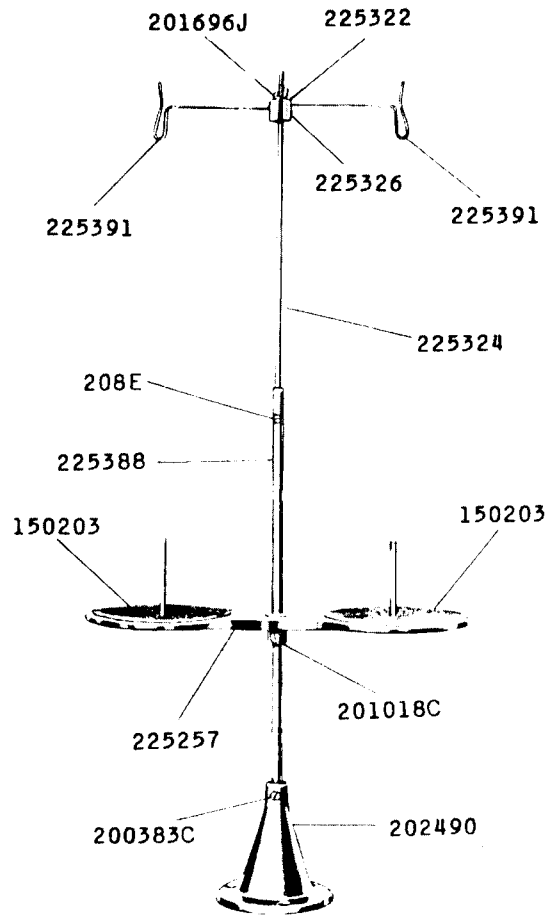


21754 - 1/3



22248 - 1/6

225258



27739



225390

