

SINGER

15K3,4,24 to 27,70 to 73,80 to 85

Form K5715
(Supersedes K4916)

ILLUSTRATED
LIST OF PARTS

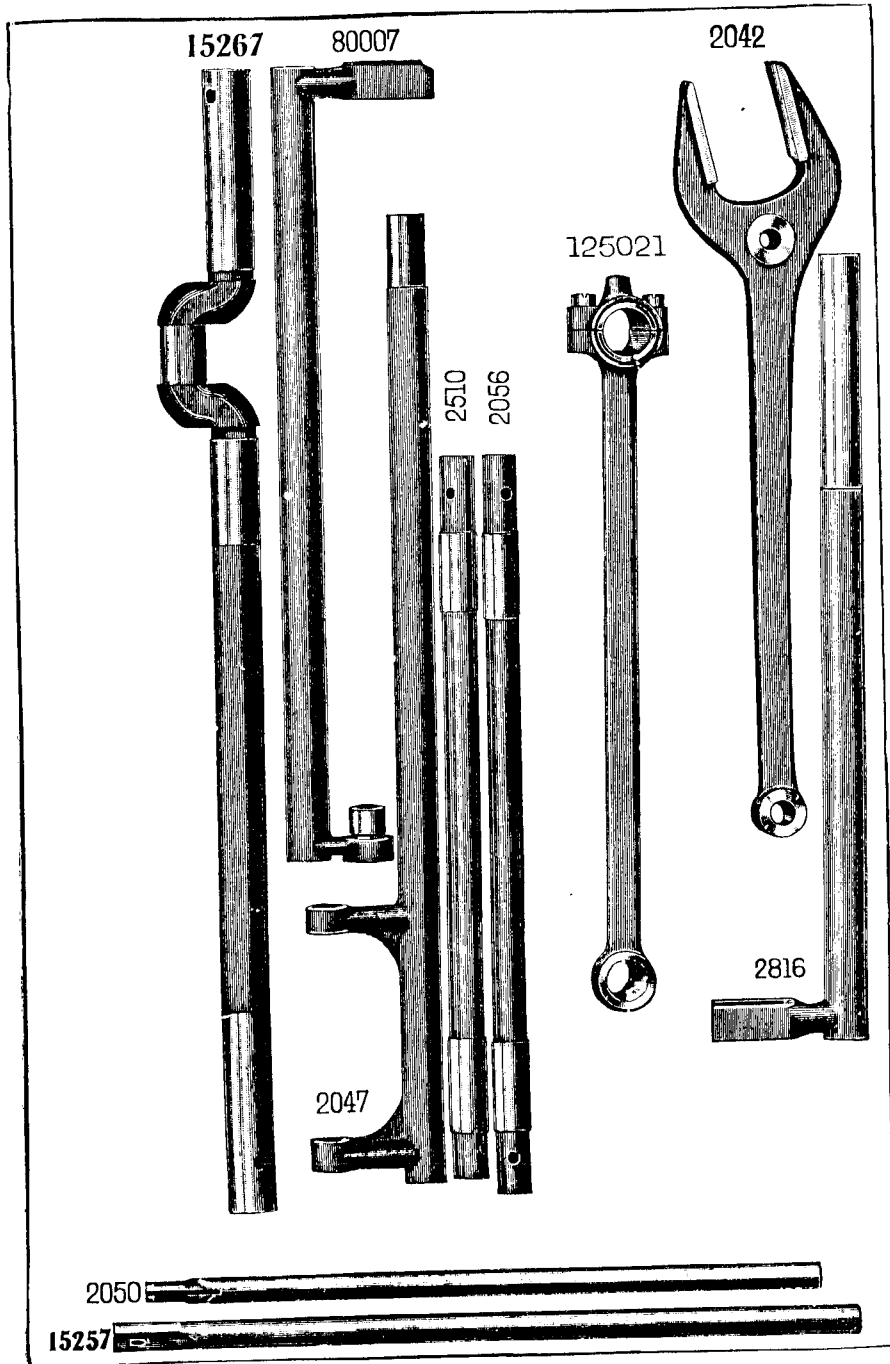
FOR

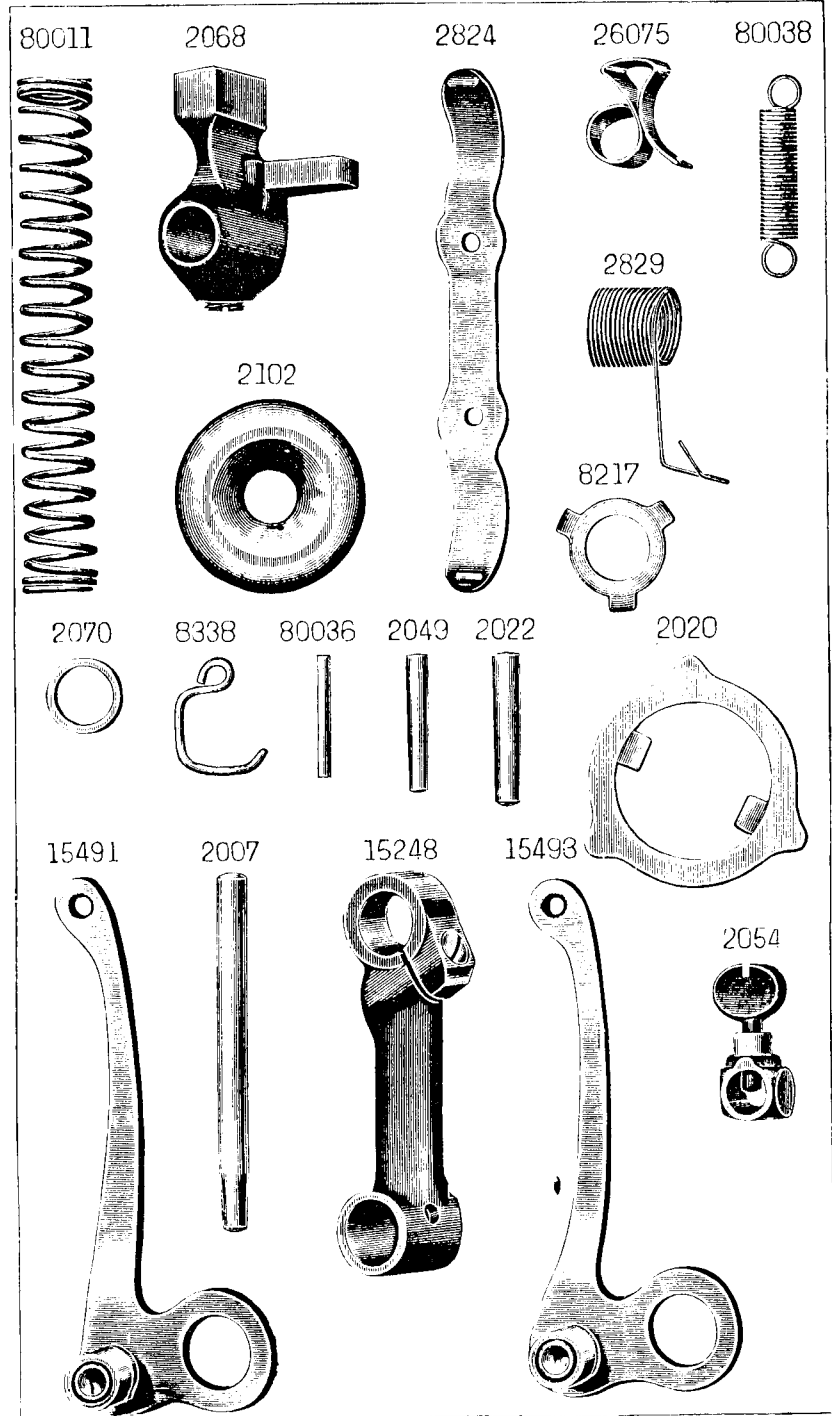
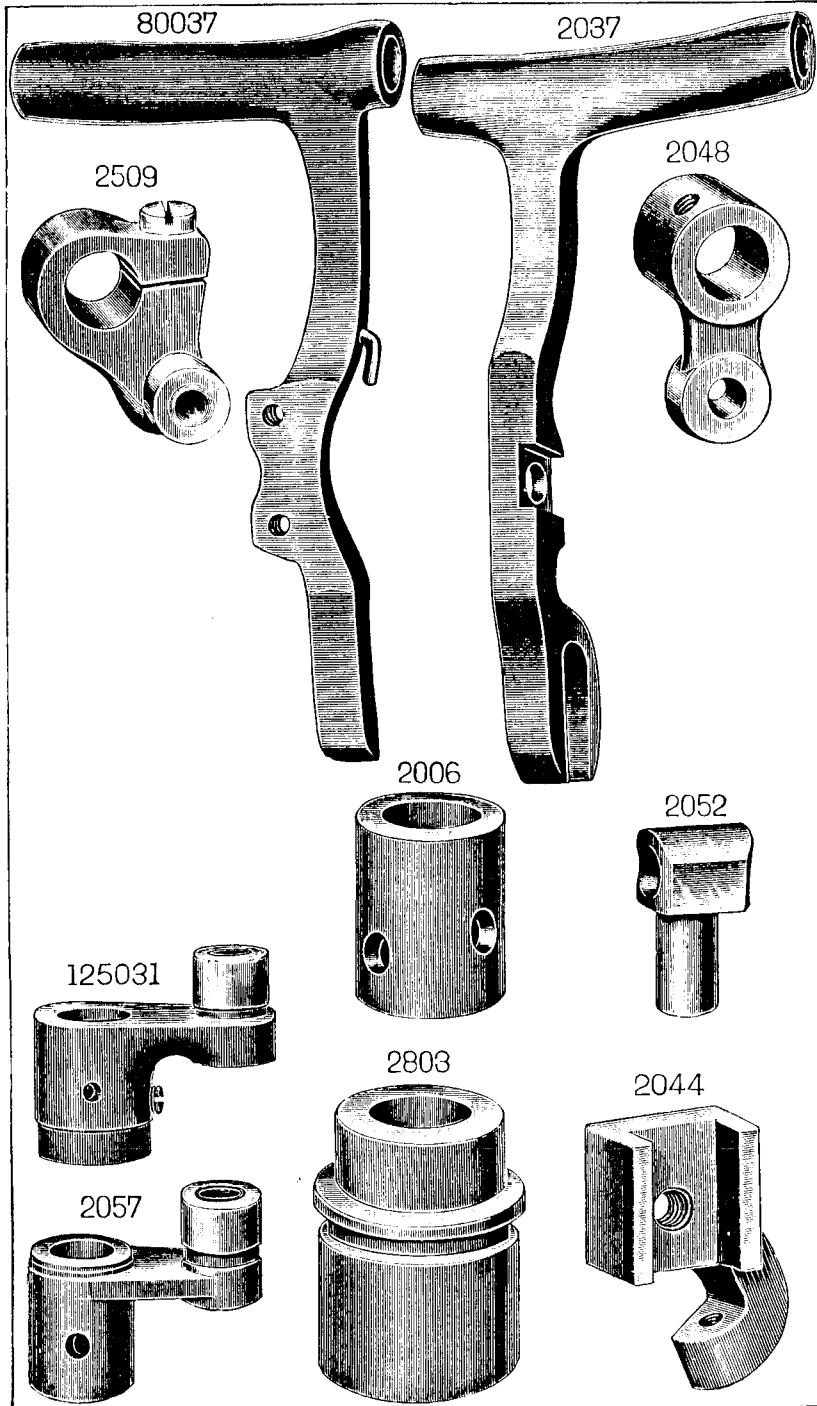
CLASS 15K MACHINES
FOR FAMILY USE

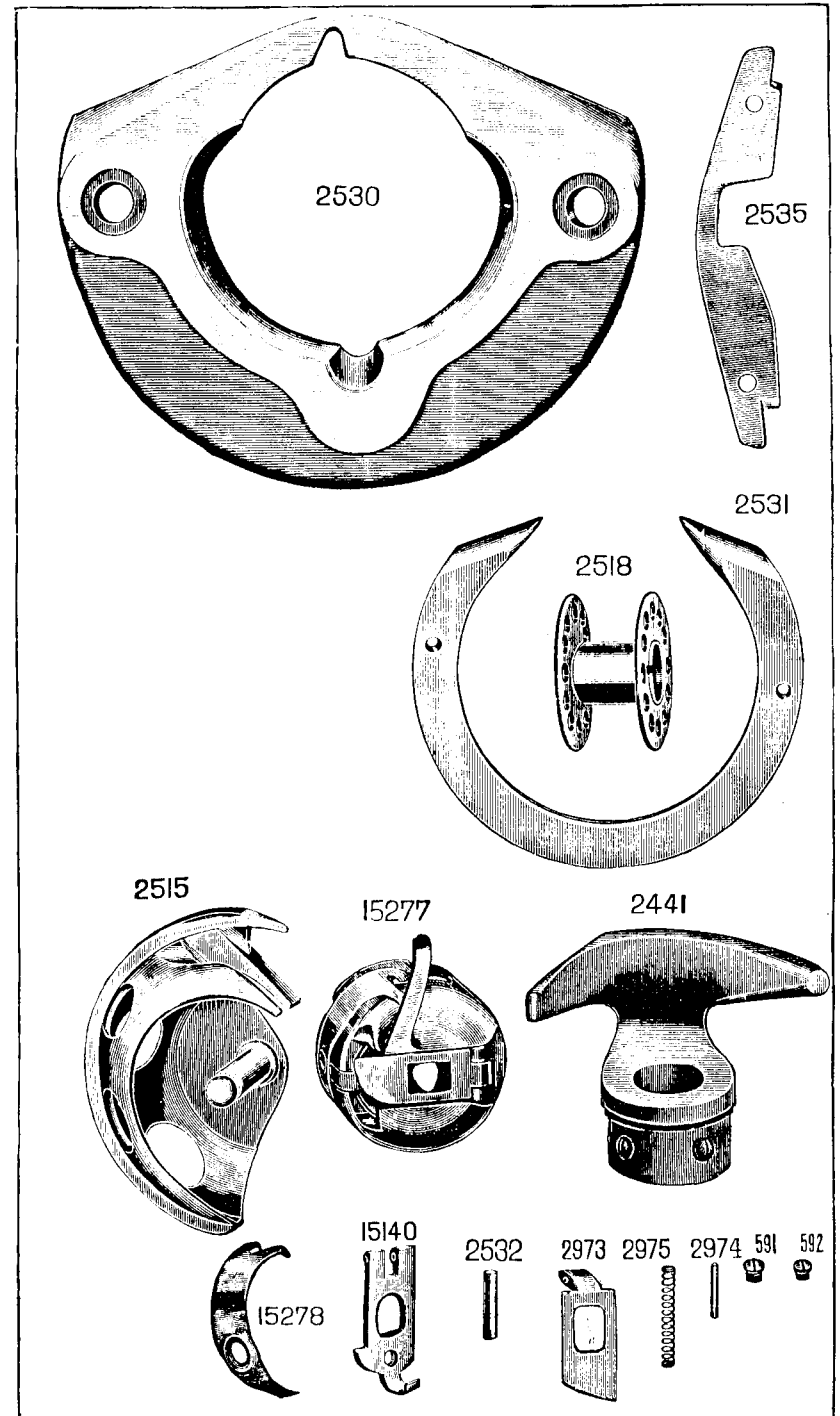
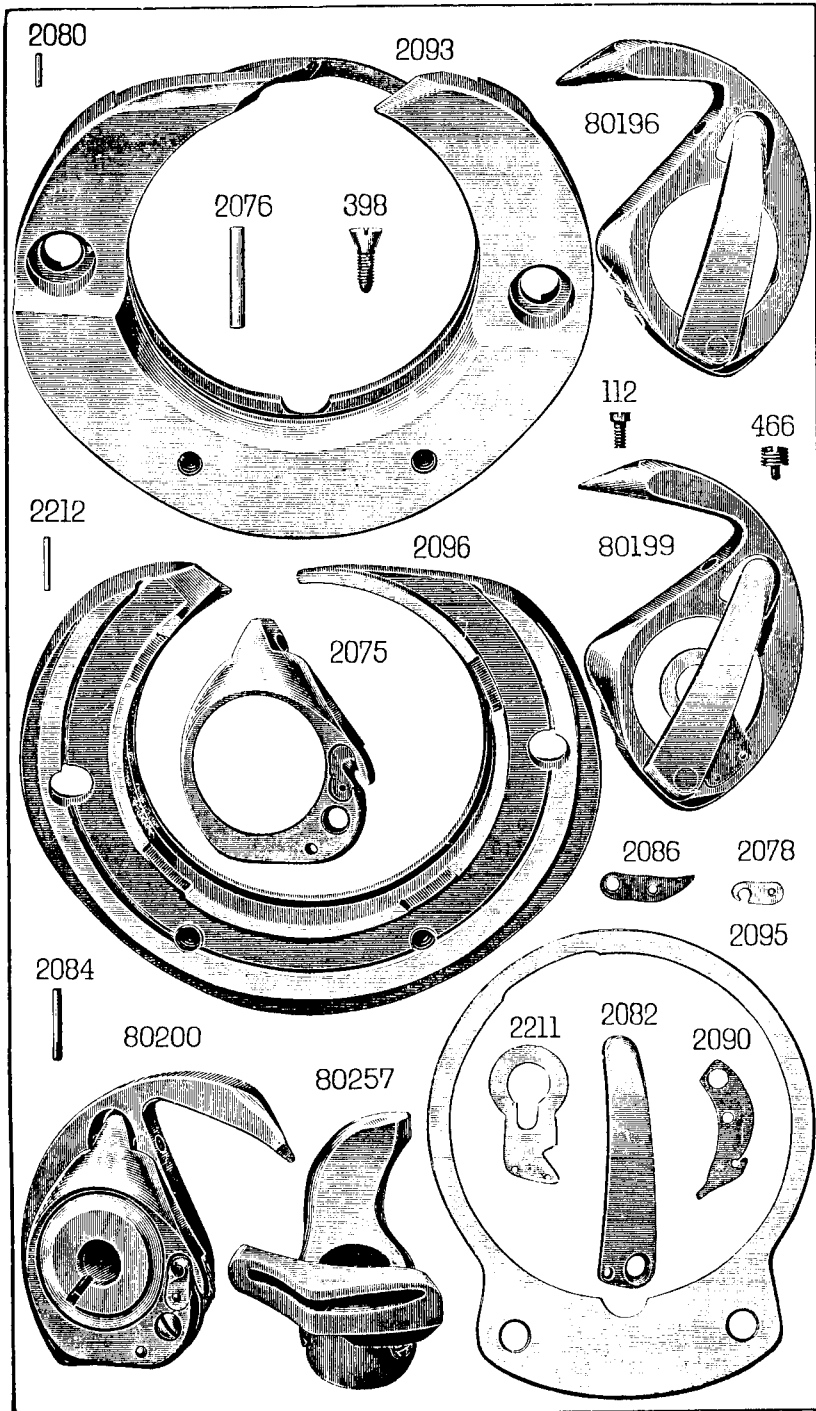
Nos. 15K3, 15K4, 15K24 to 15K27,
15K70 to 15K73 & 15K80 to 15K85
MACHINES

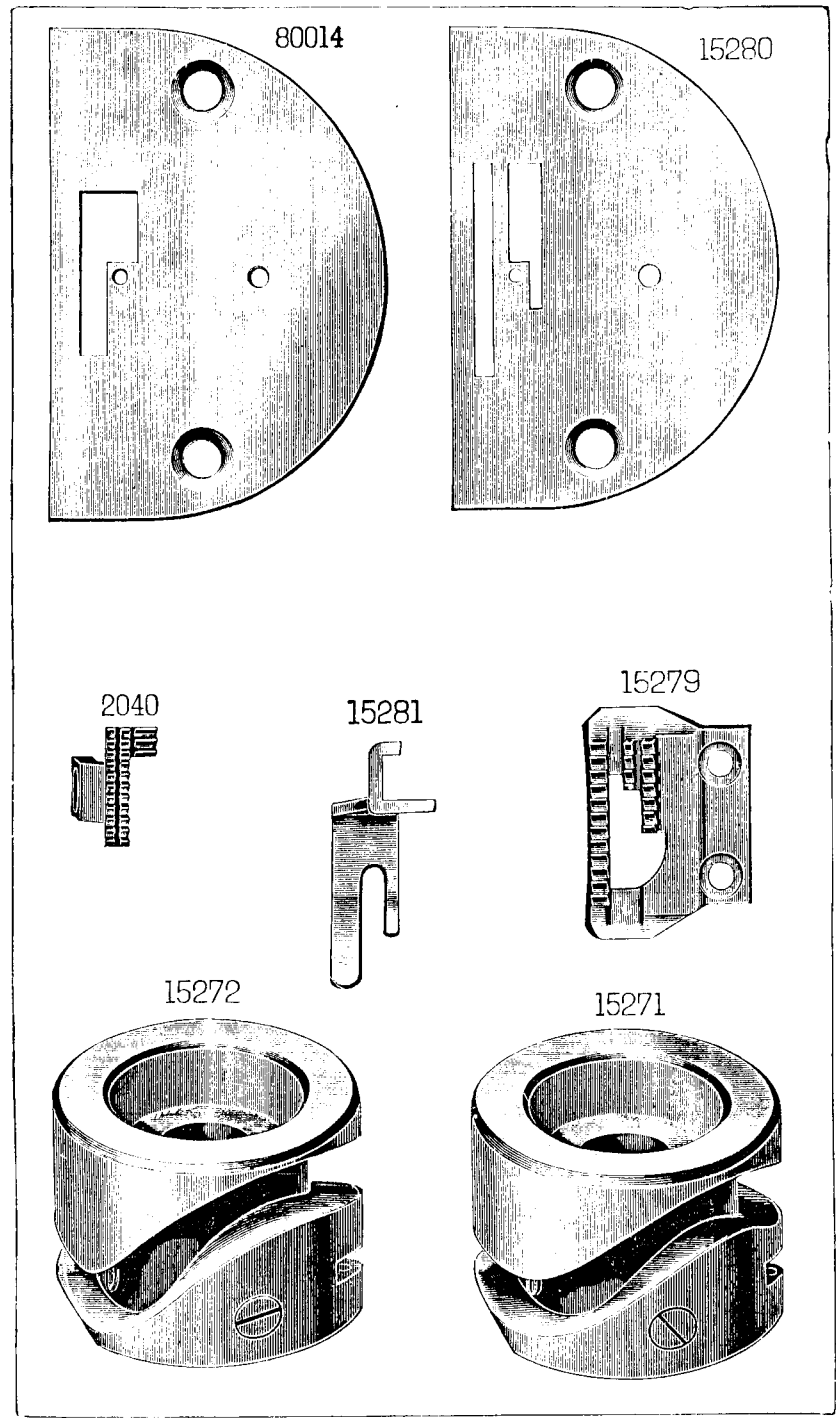
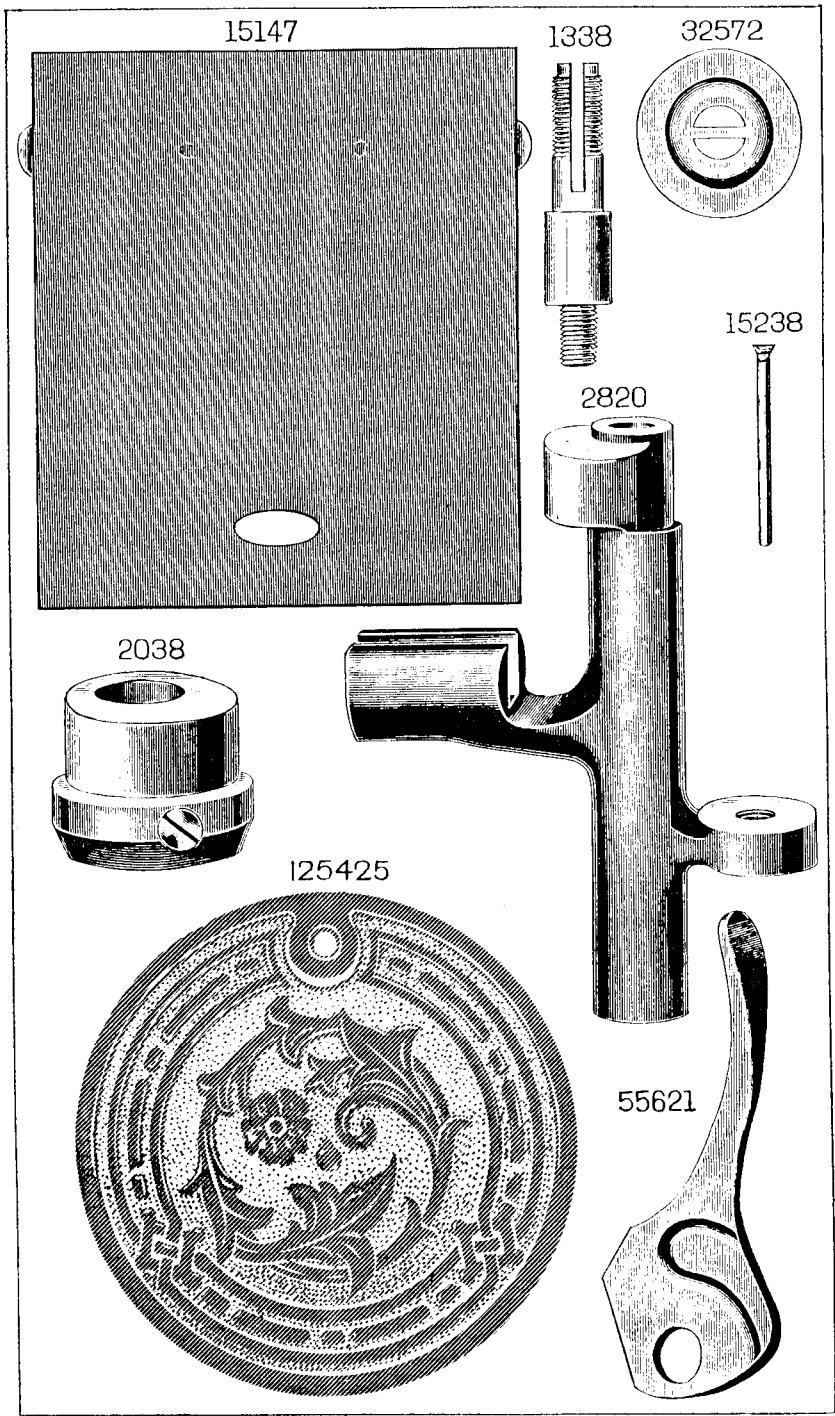


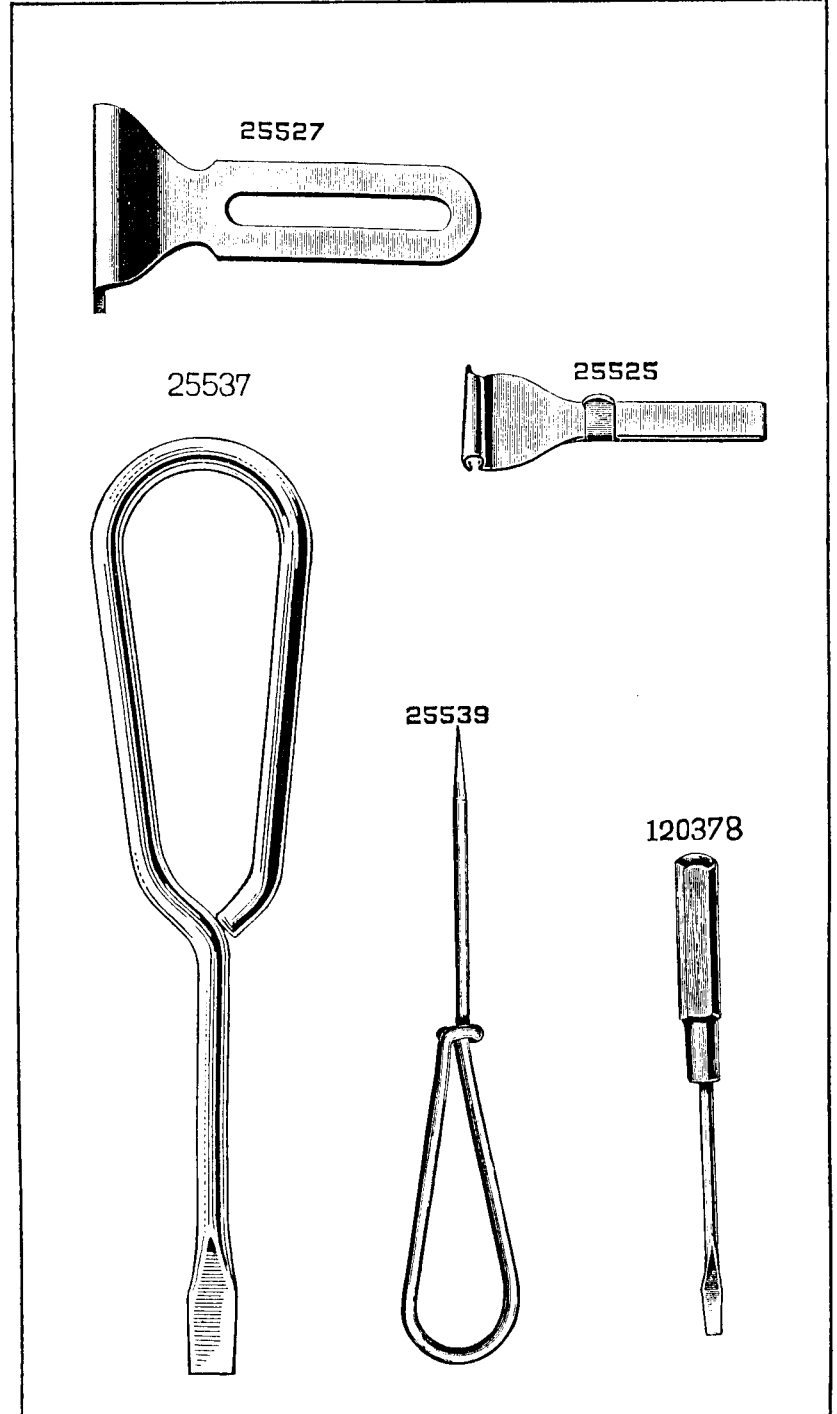
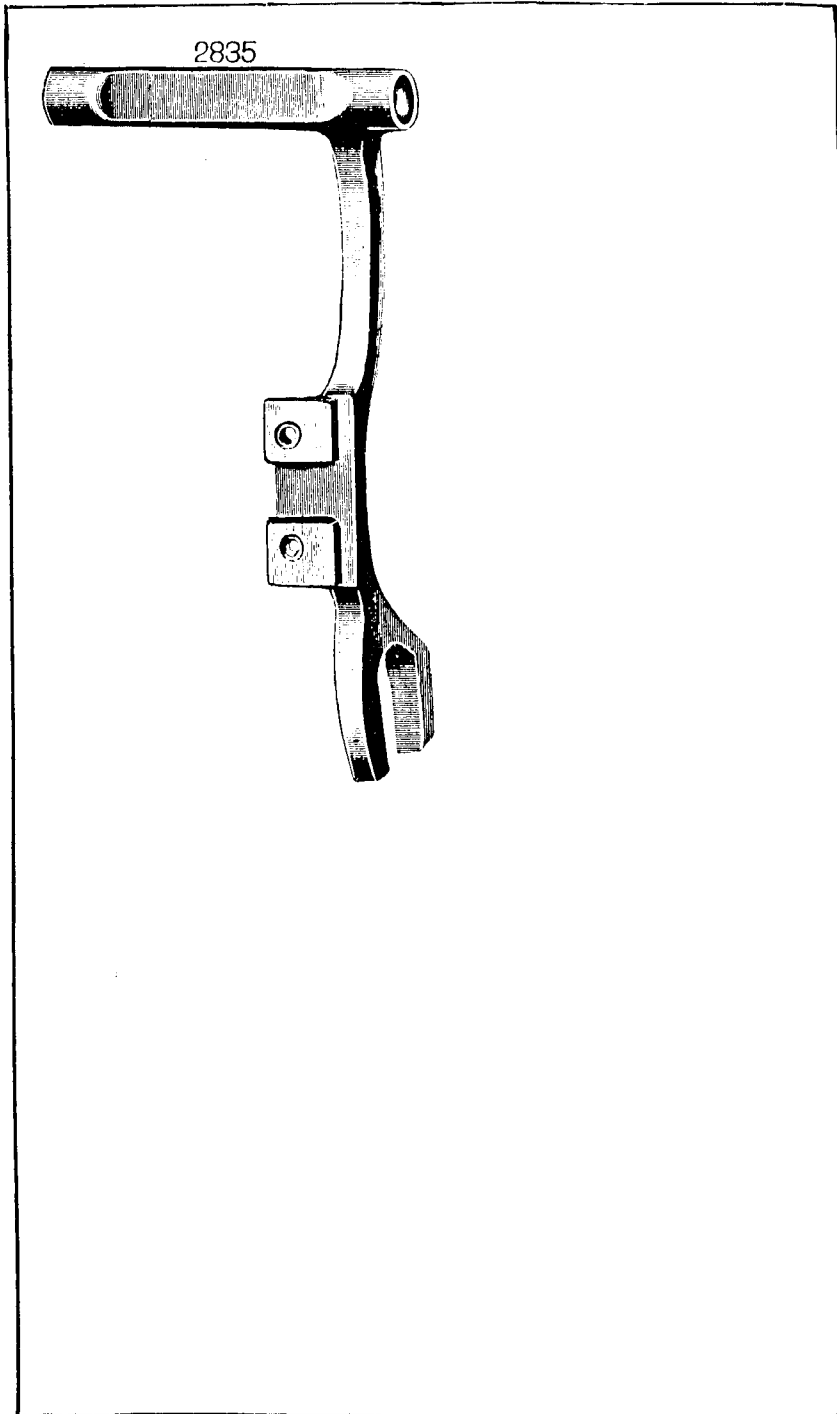
THE SINGER MANUFACTURING COMPANY



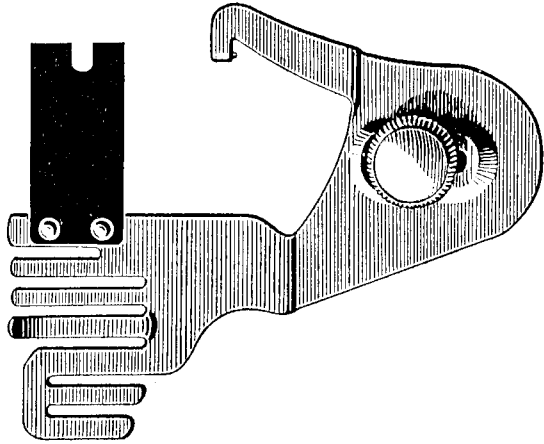




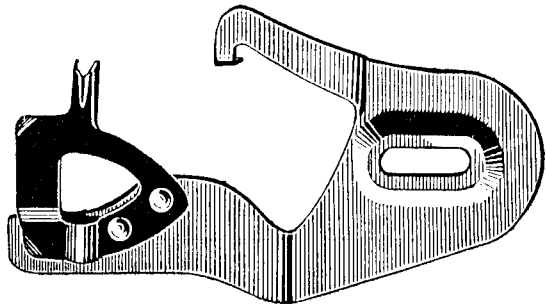




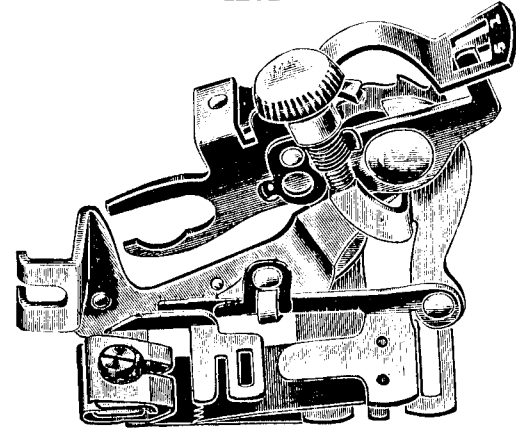
121170



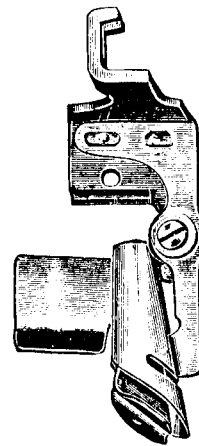
121547



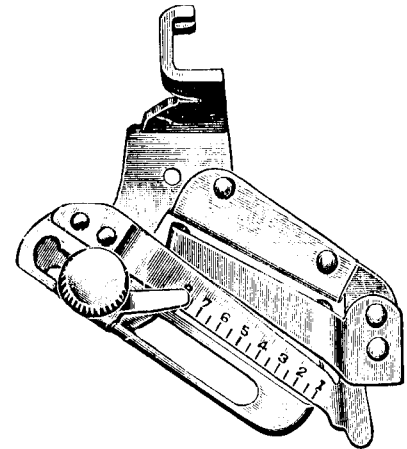
120290



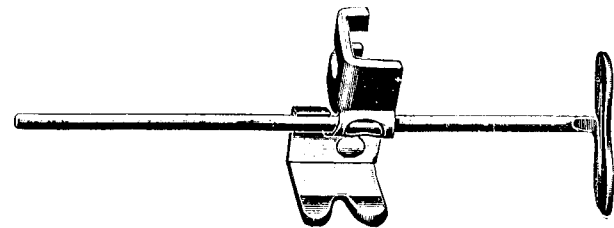
121464

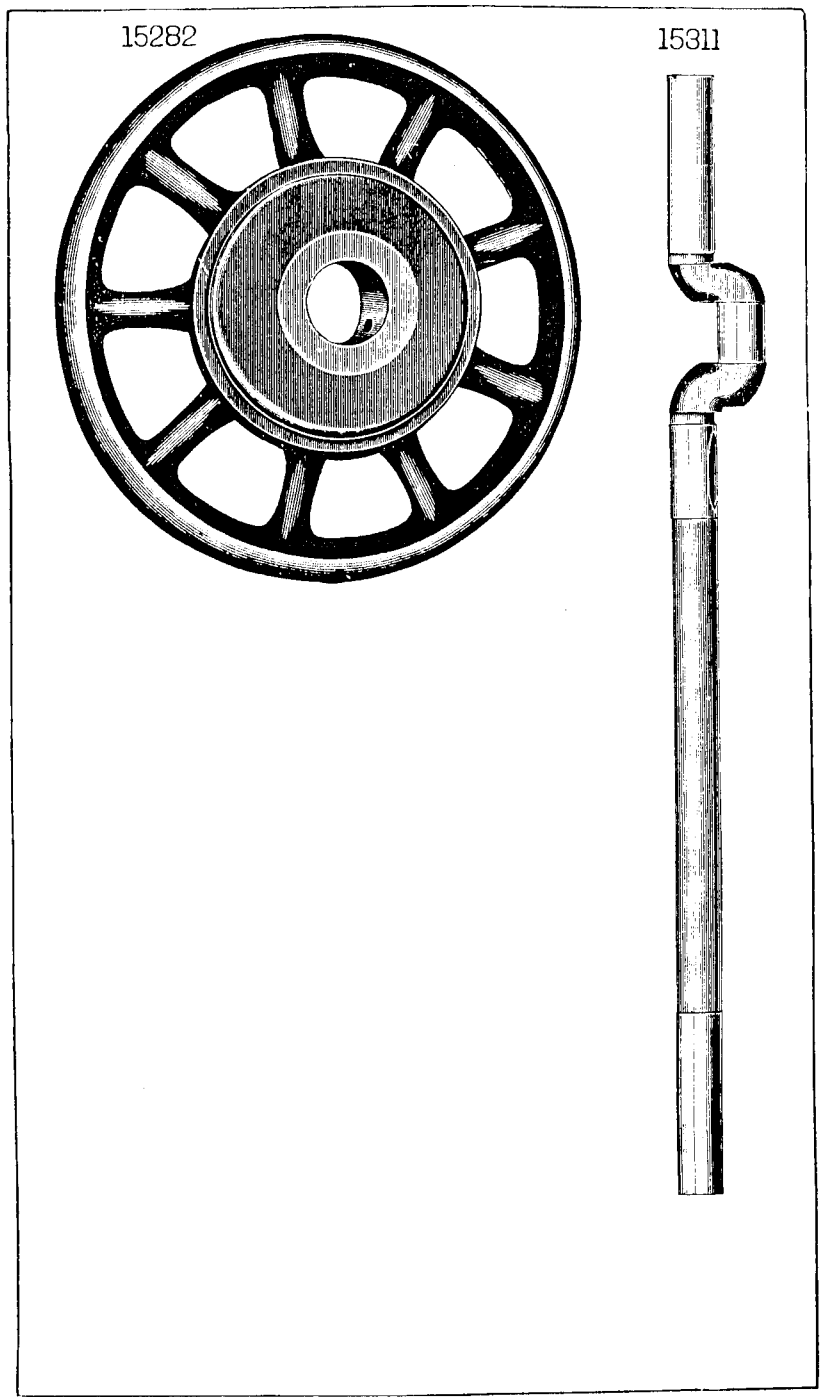
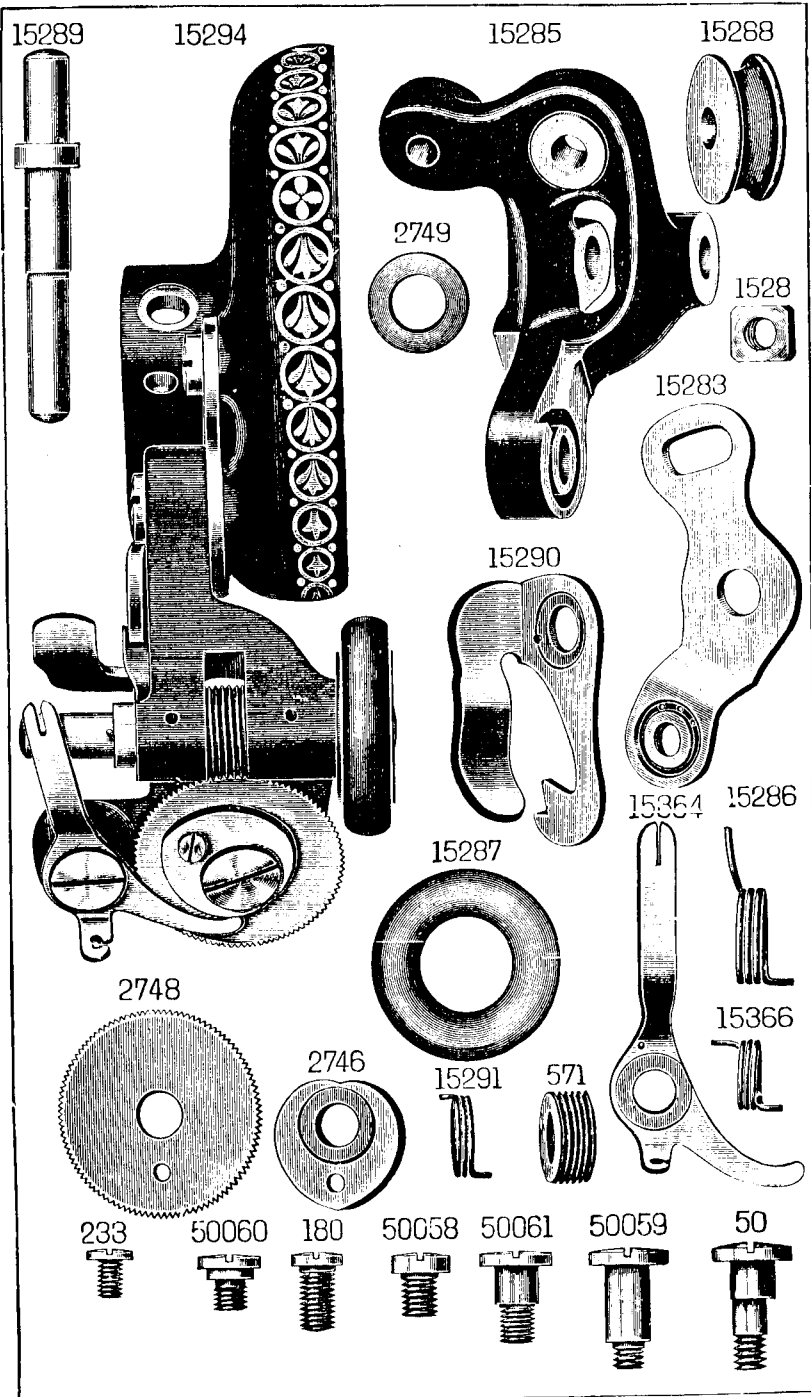


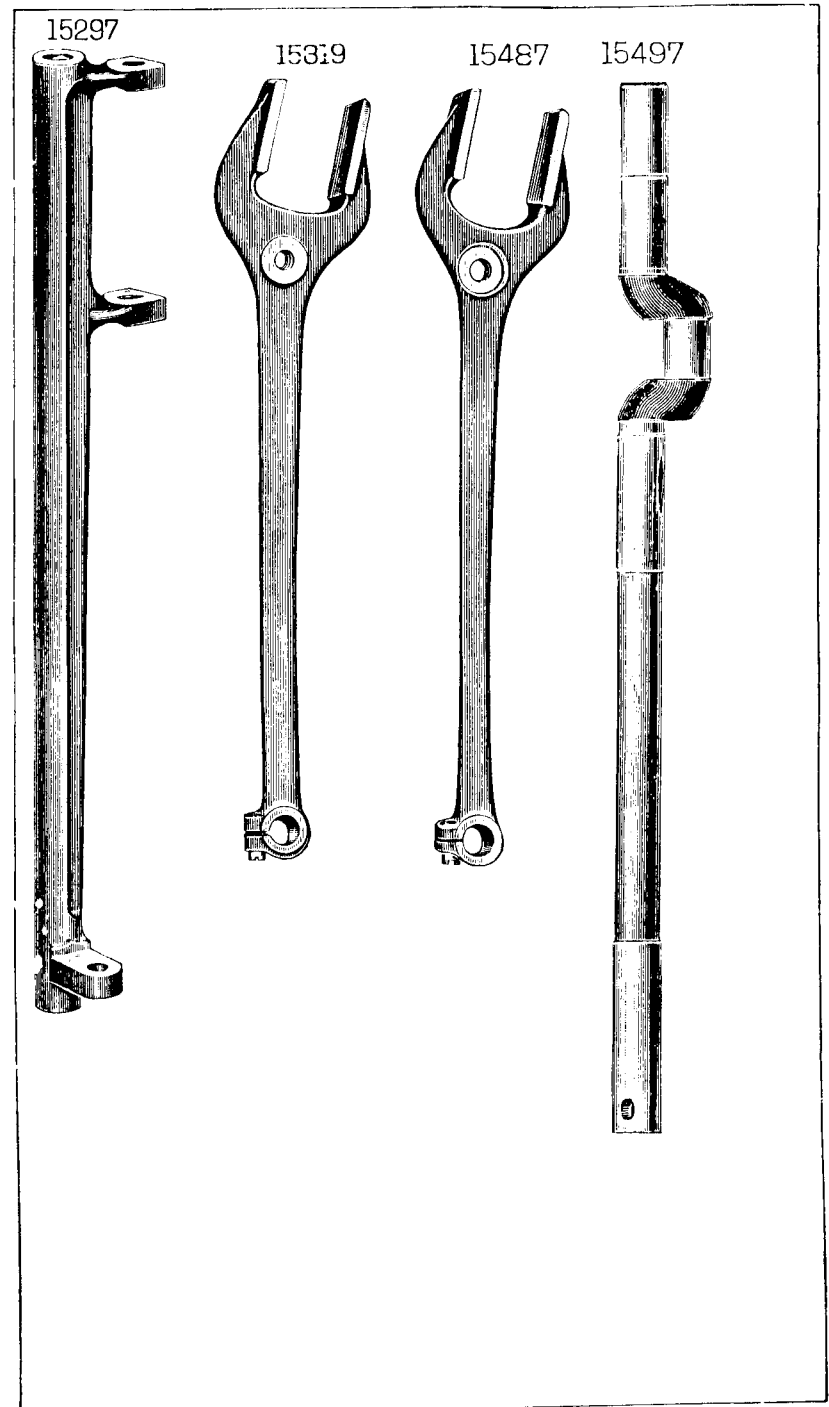
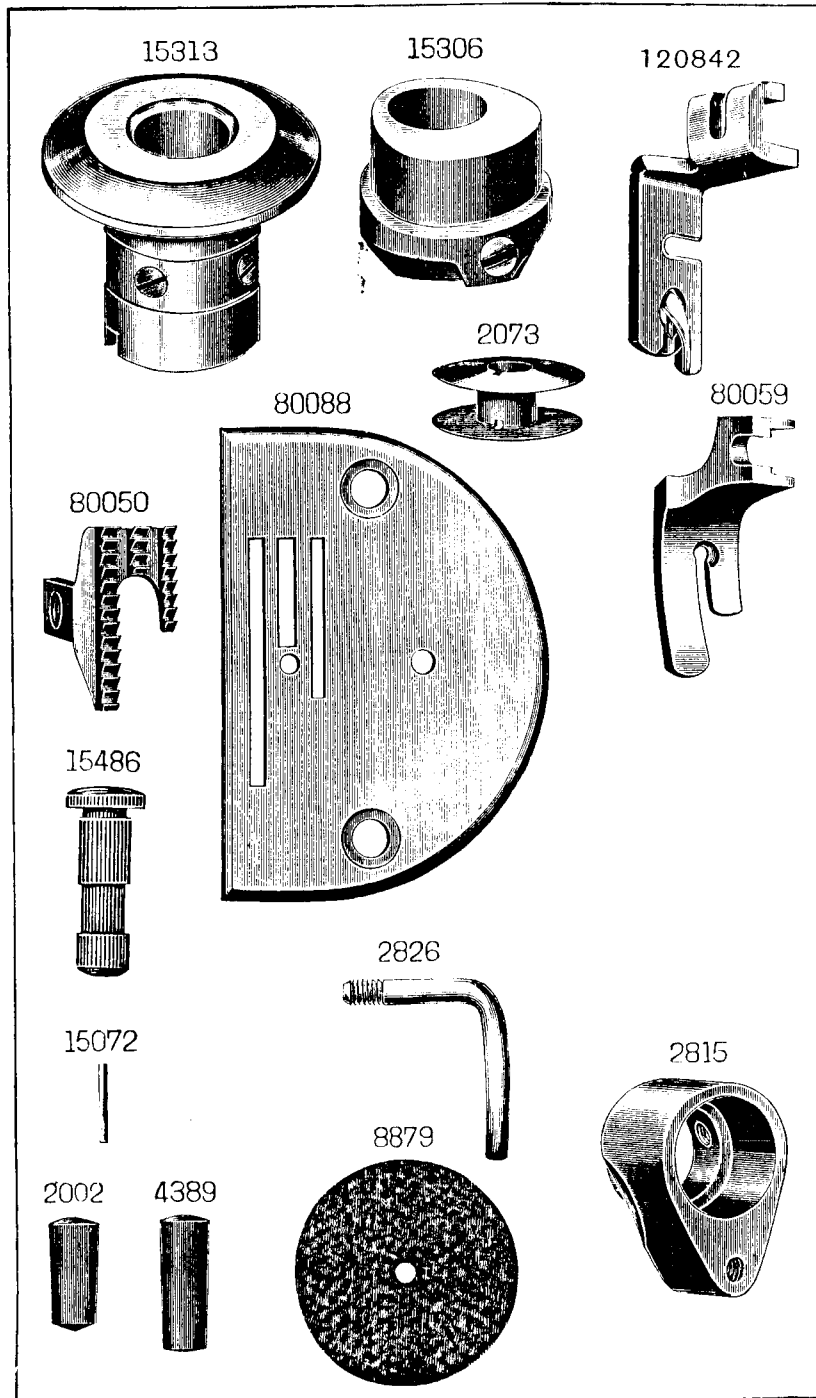
35931

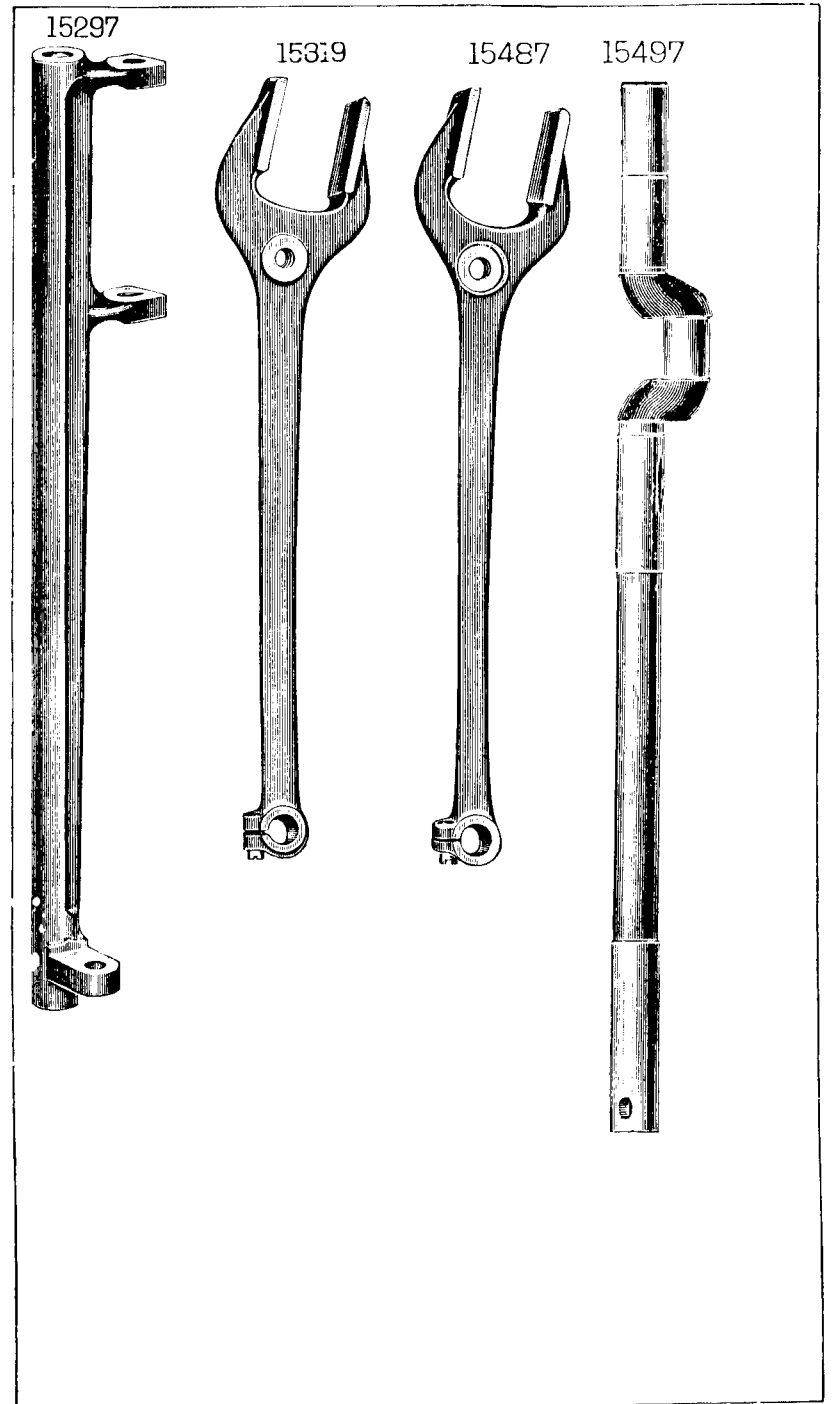
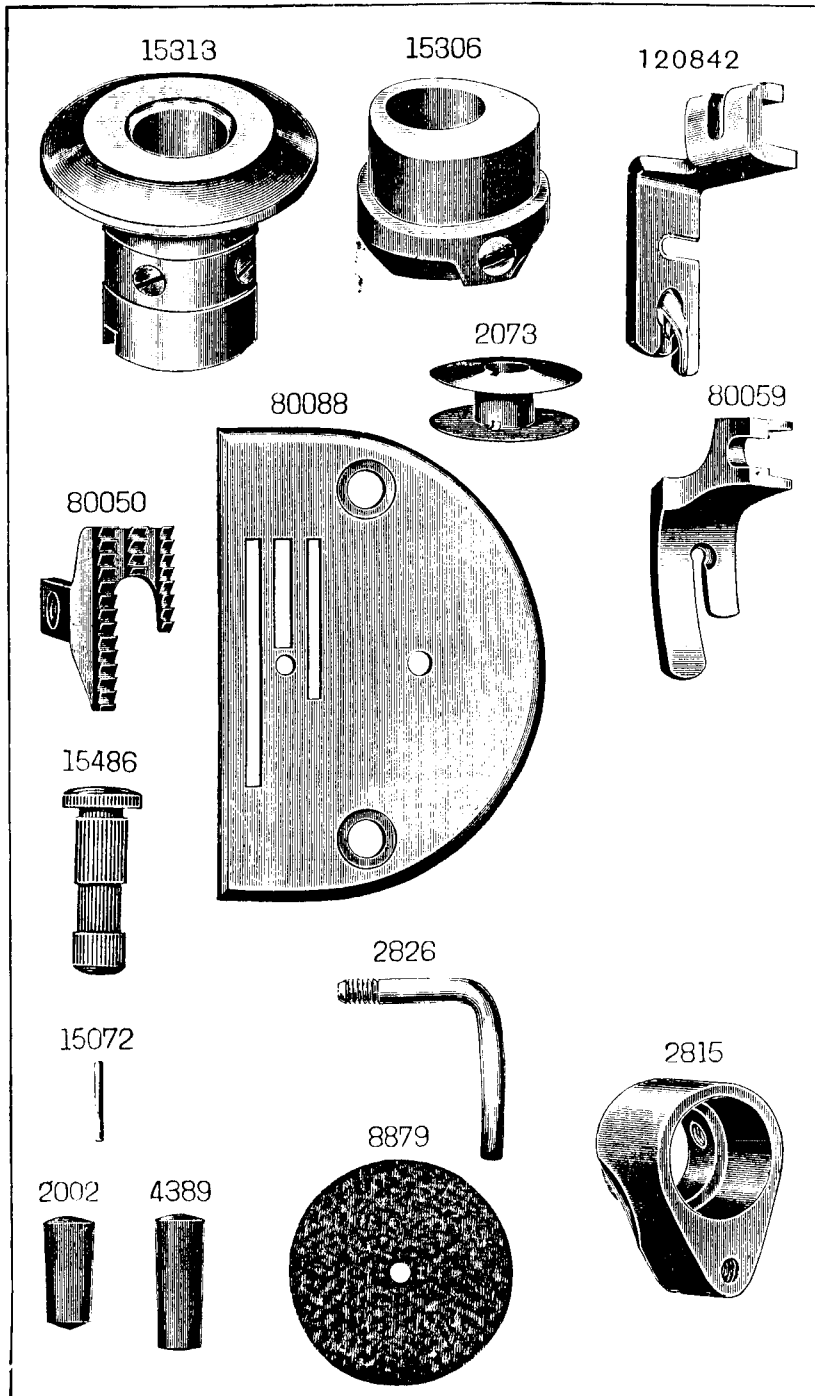


35932



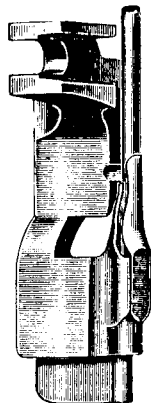




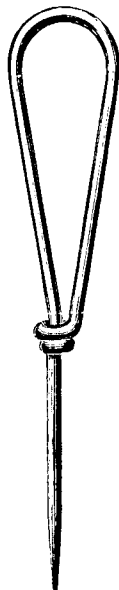


35985

35984



25539



35983



120842



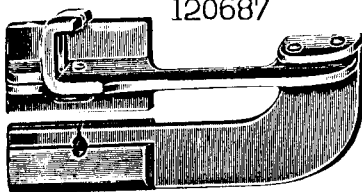
15429



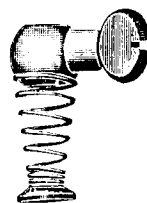
85893



120687



86496



86493



86494

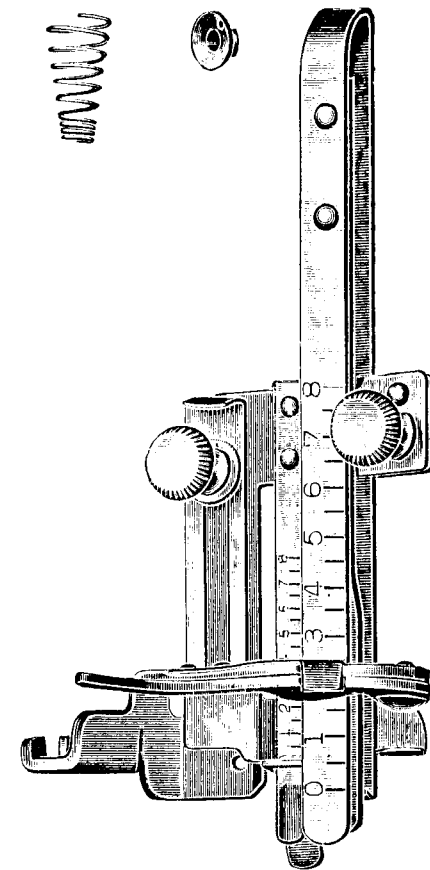


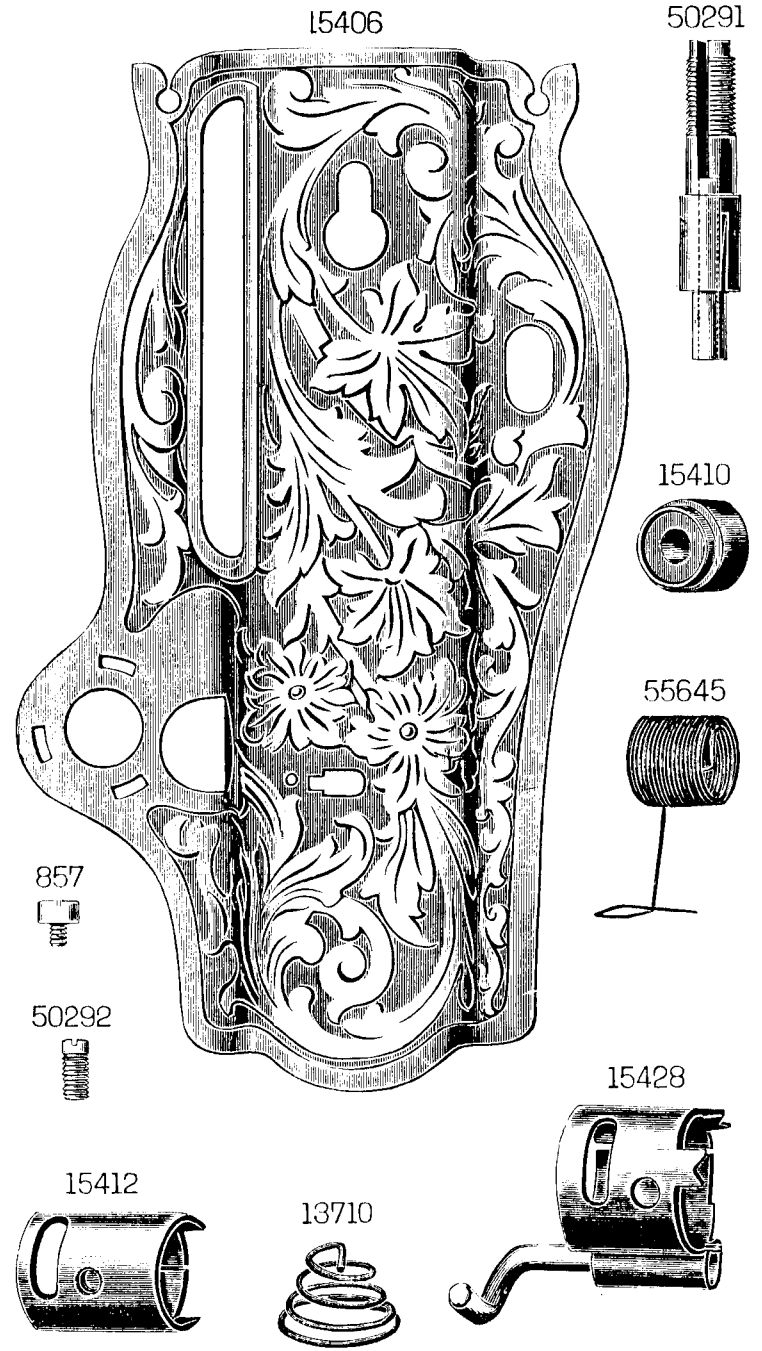
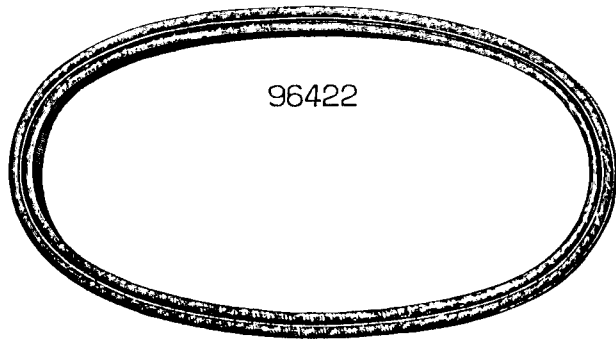
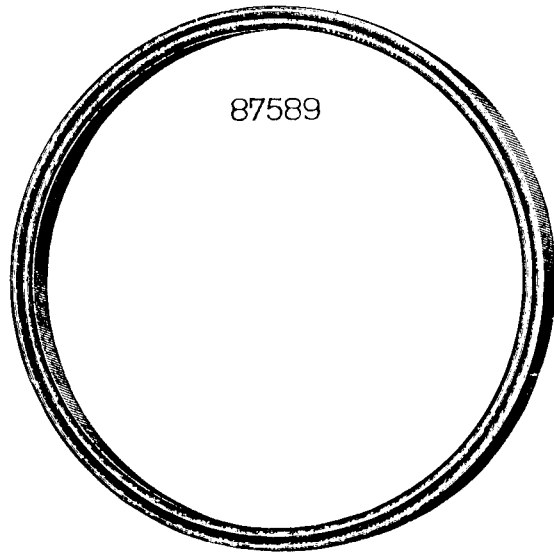
86495

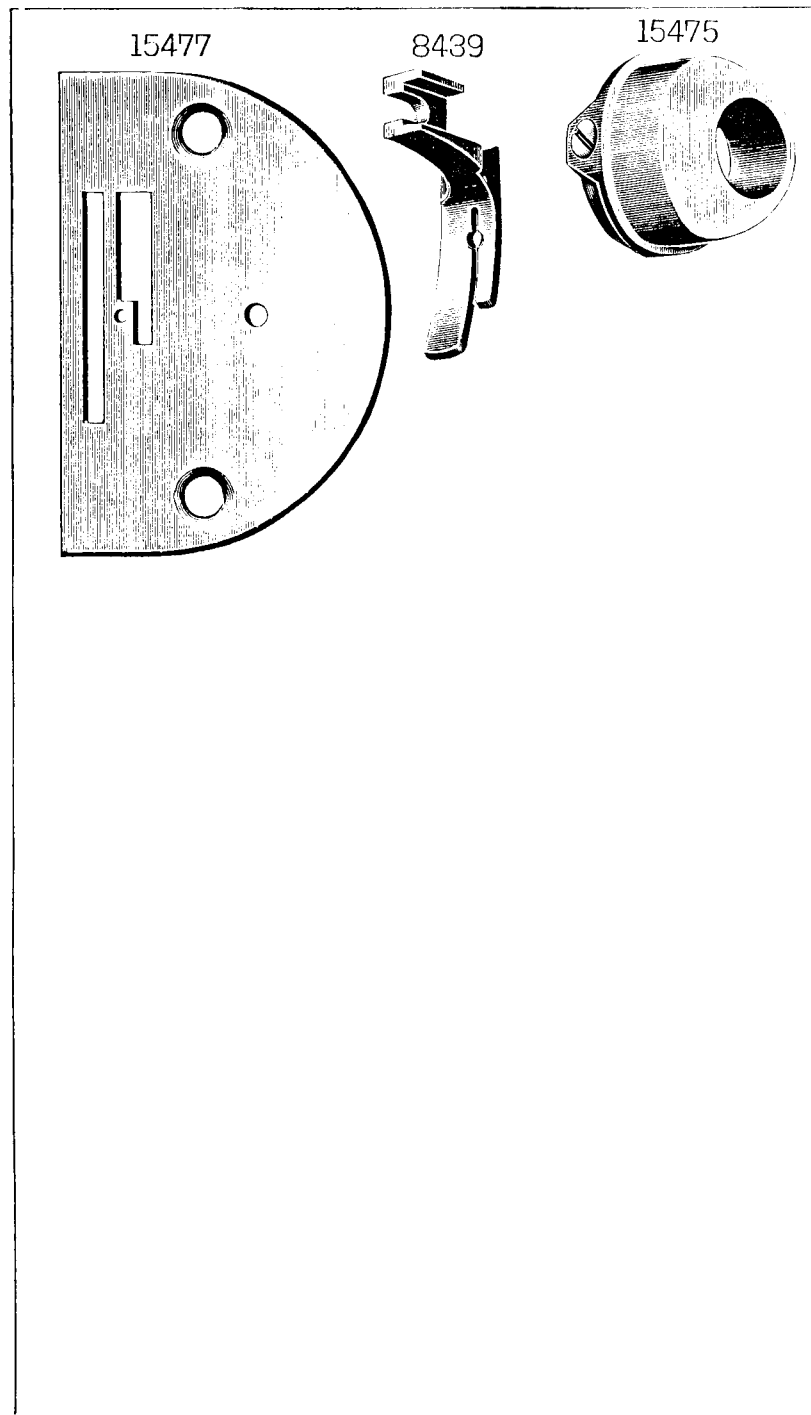
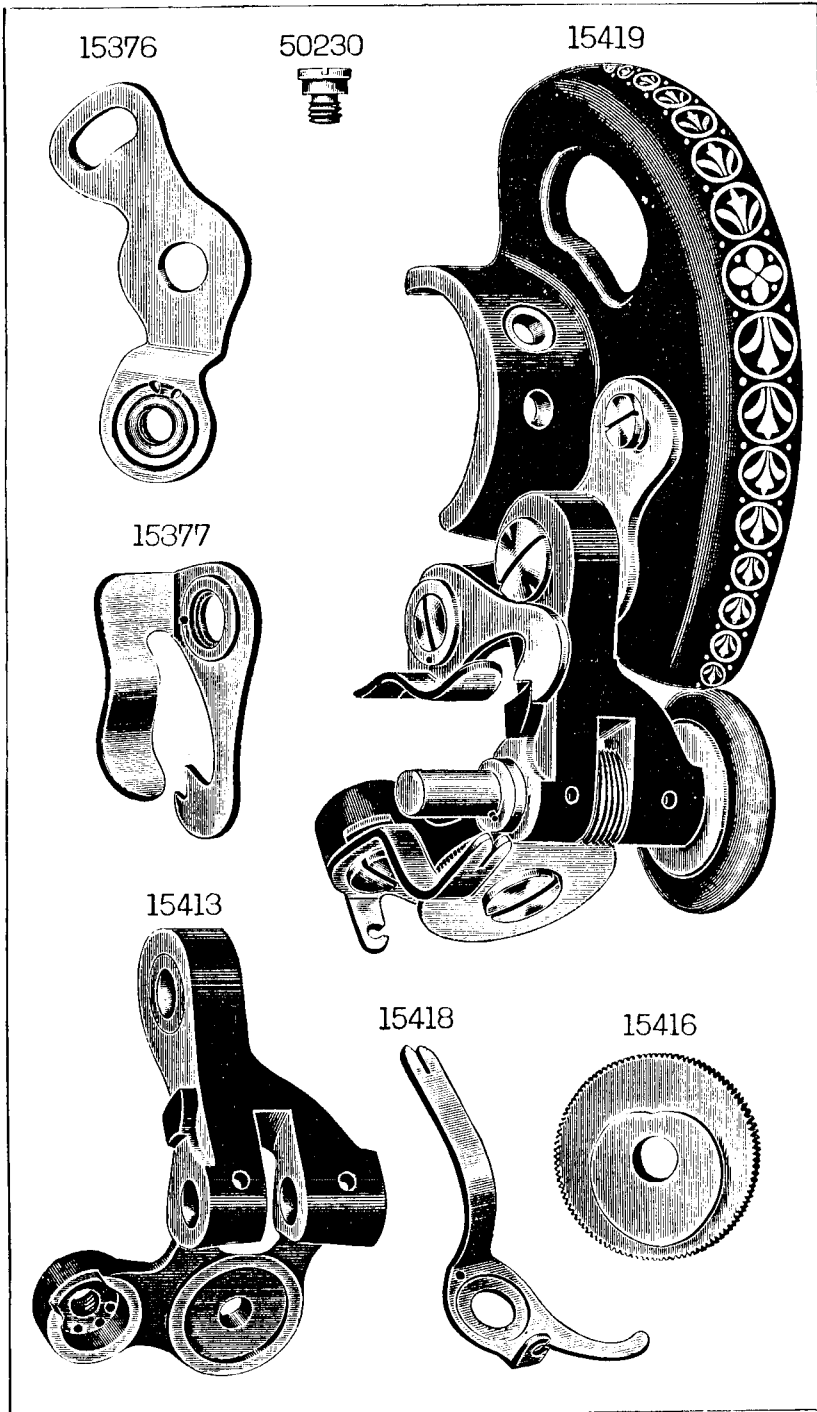


36583

552



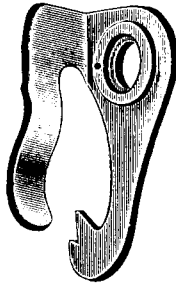




15300



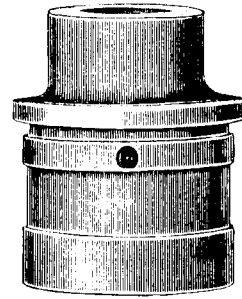
15378



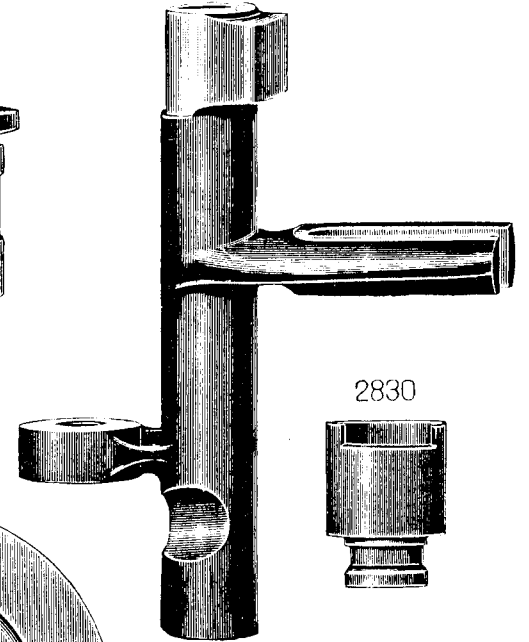
15415



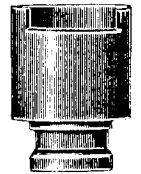
15498



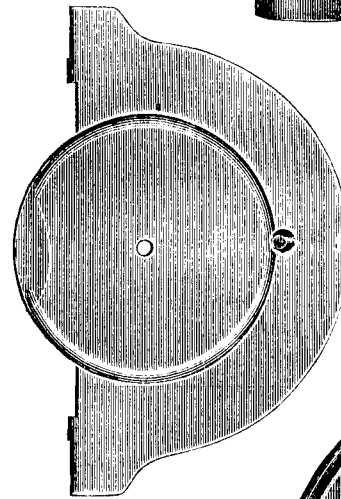
125013



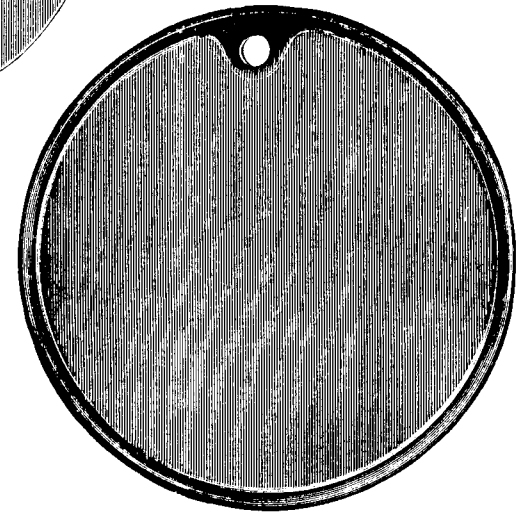
2830



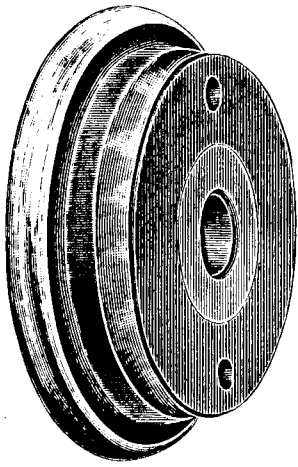
15359



80307



32672



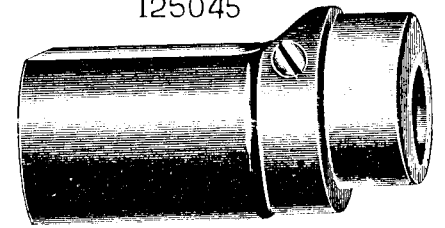
125061



125079



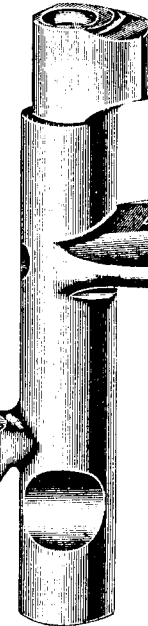
125045



125039



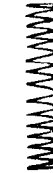
125055



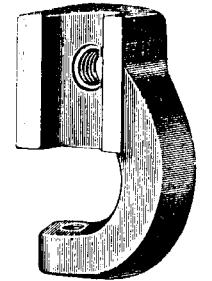
125038



125041



125050



125052



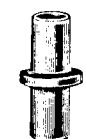
125036



15170

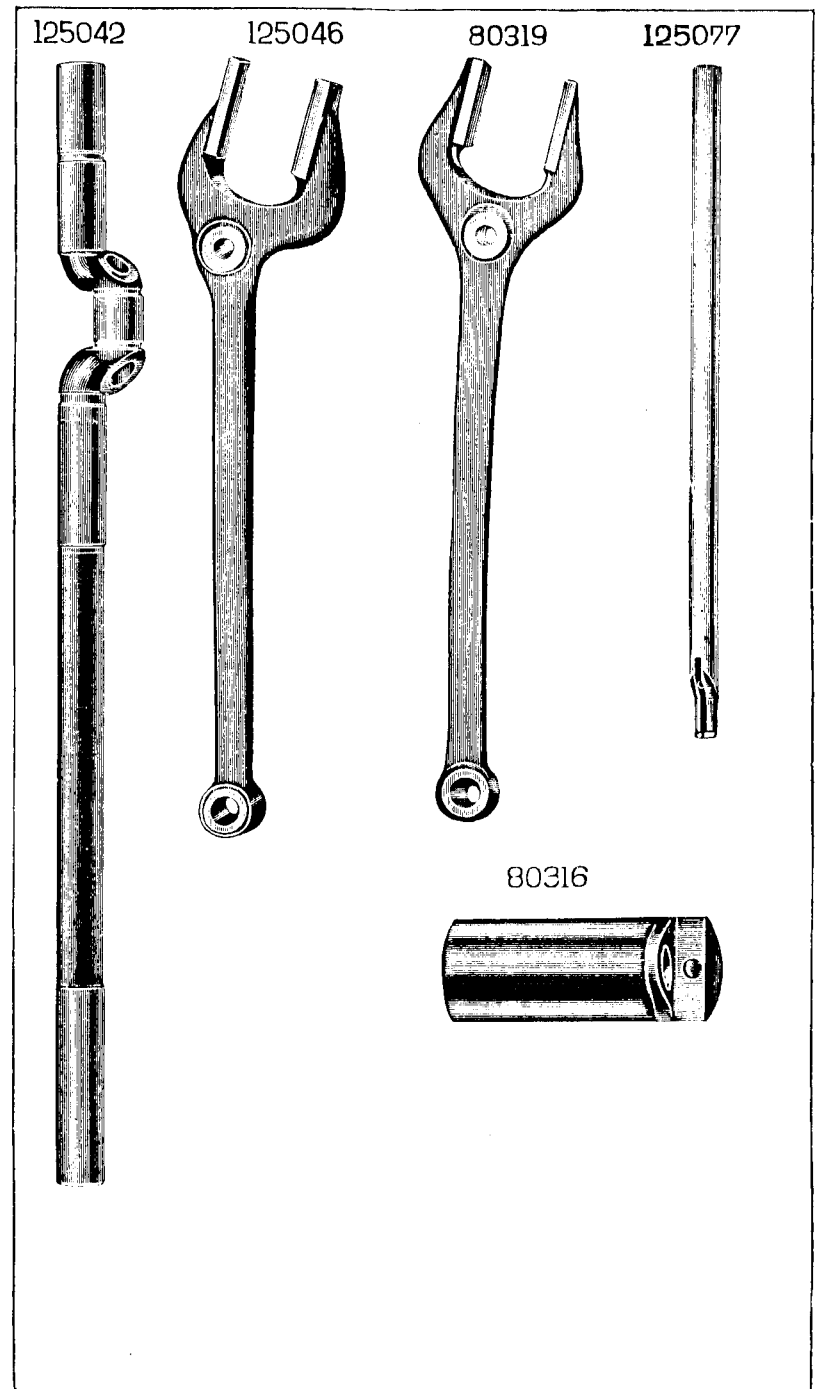
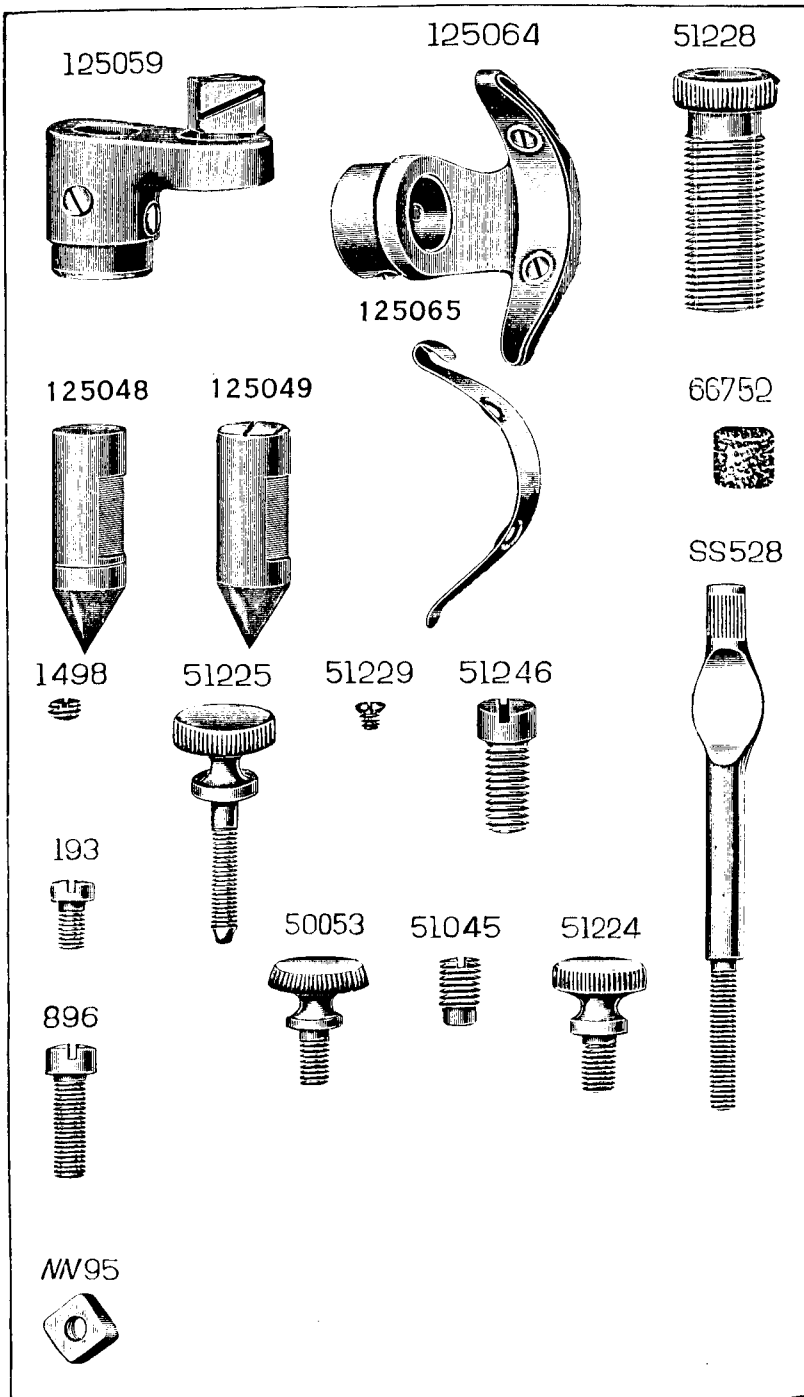


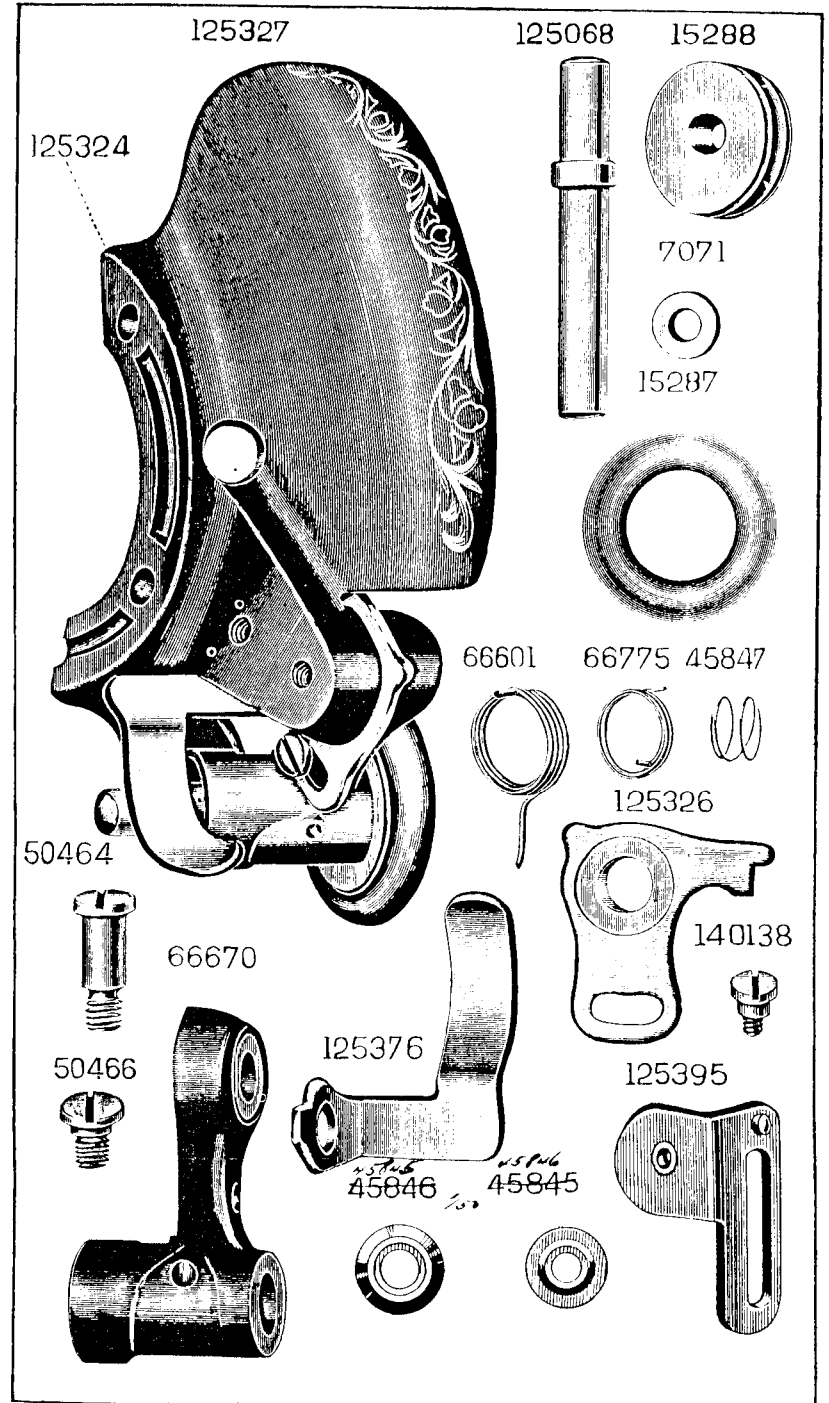
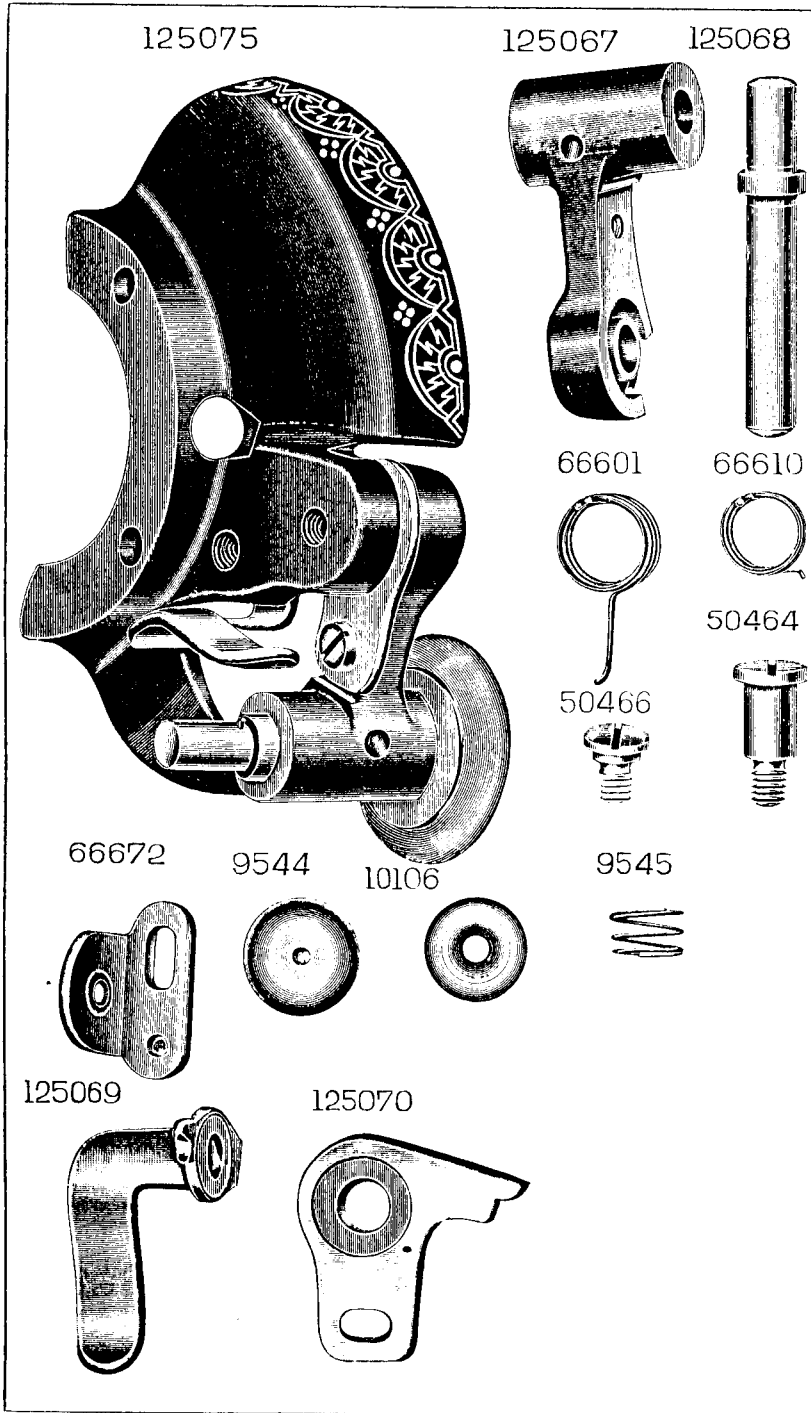
125060

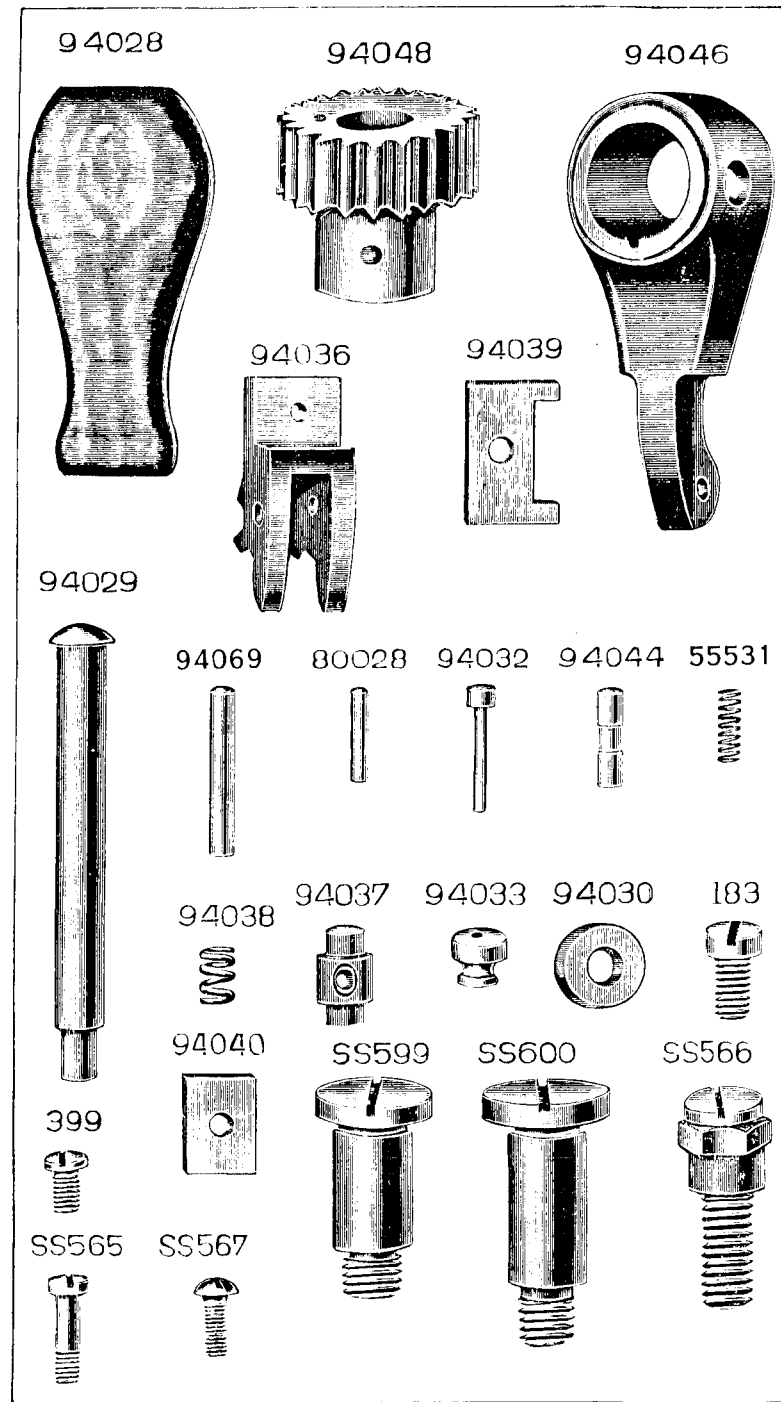
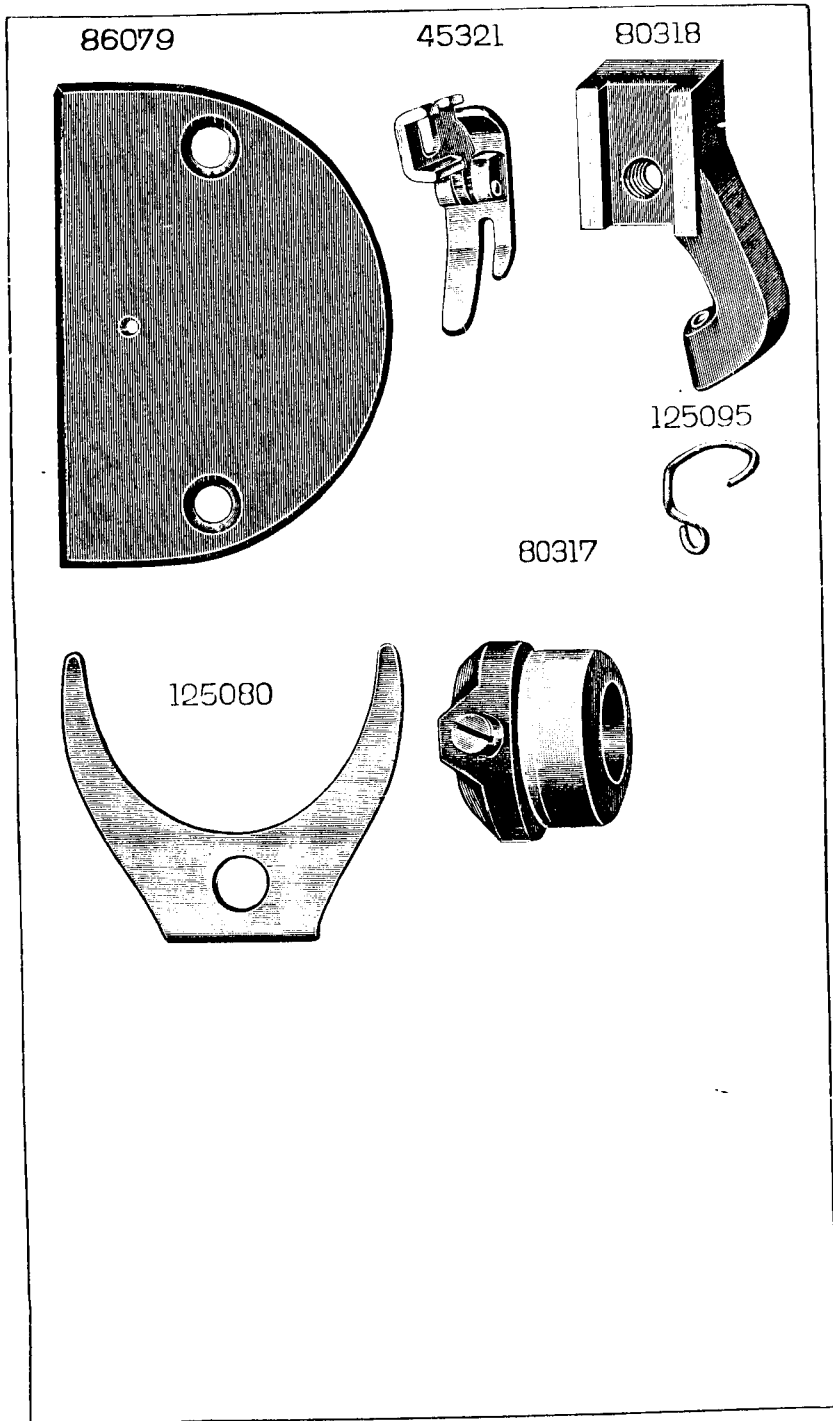


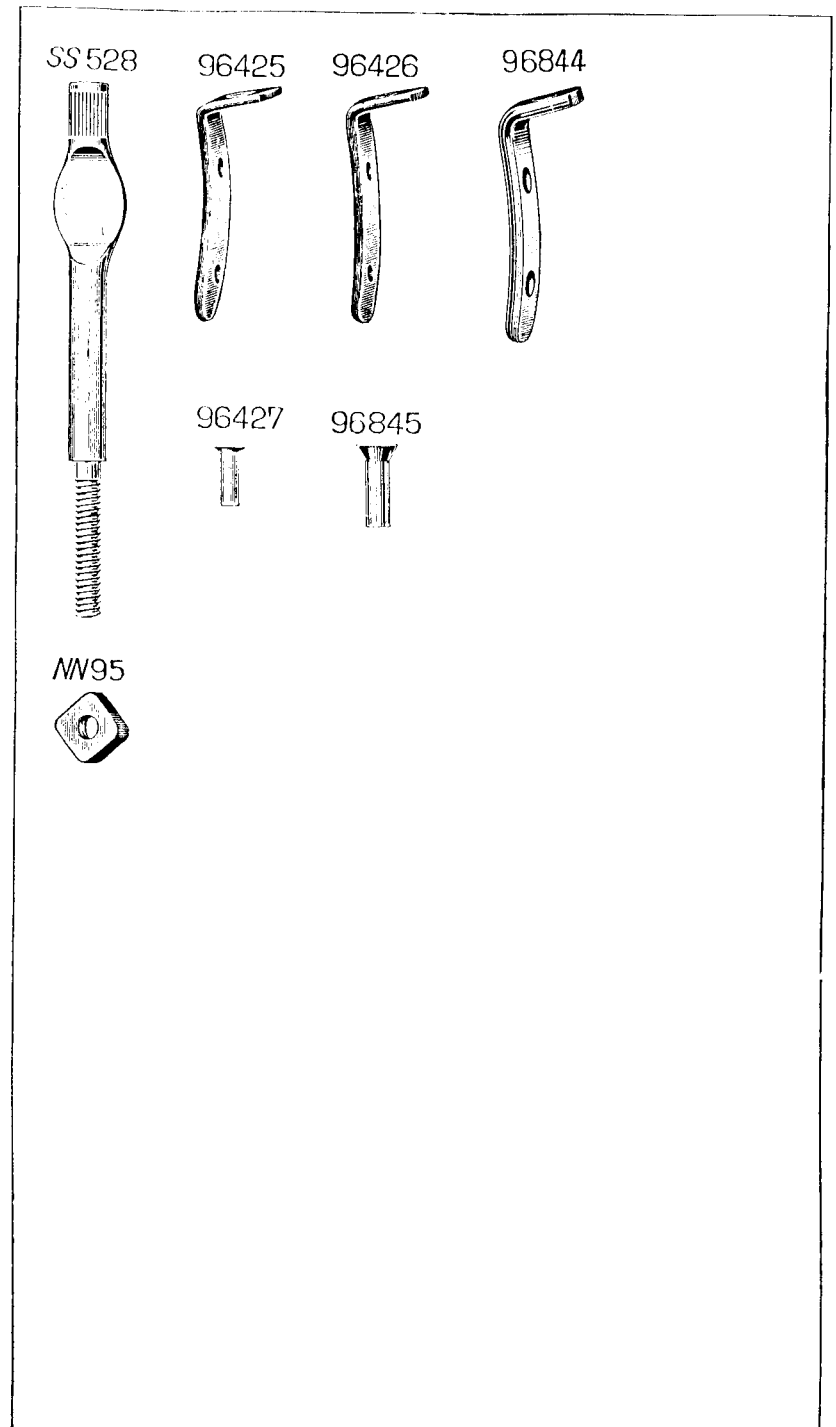
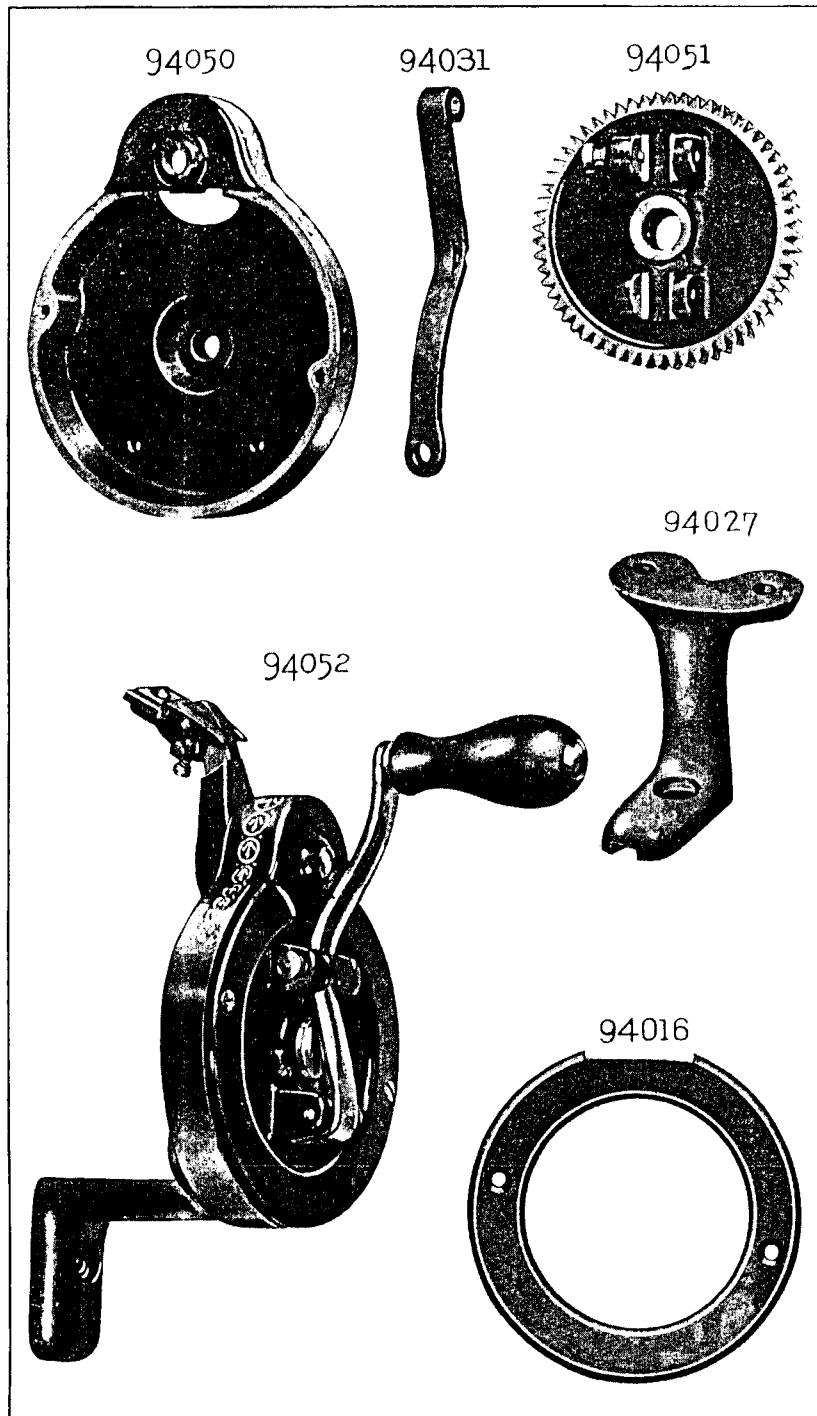
125047

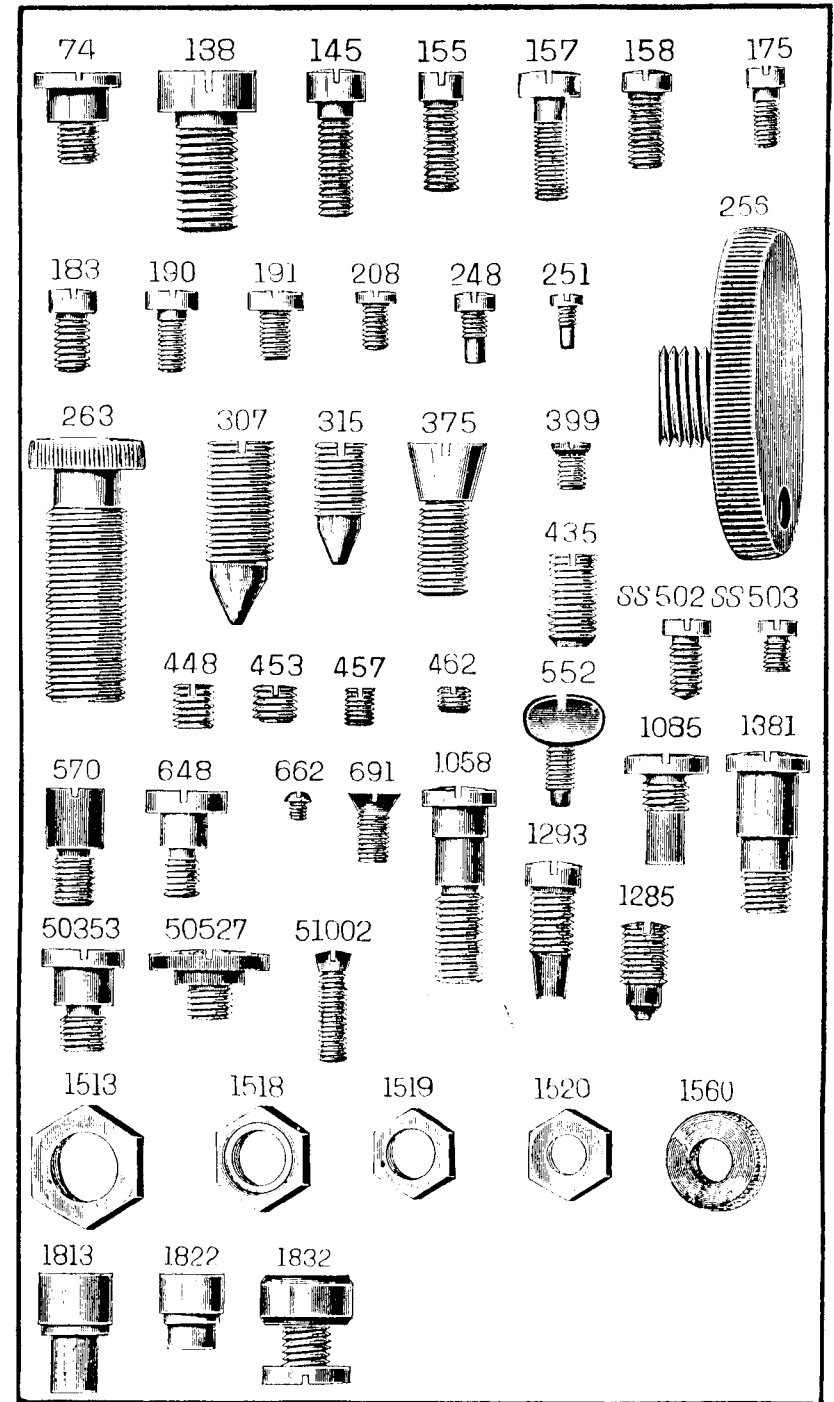
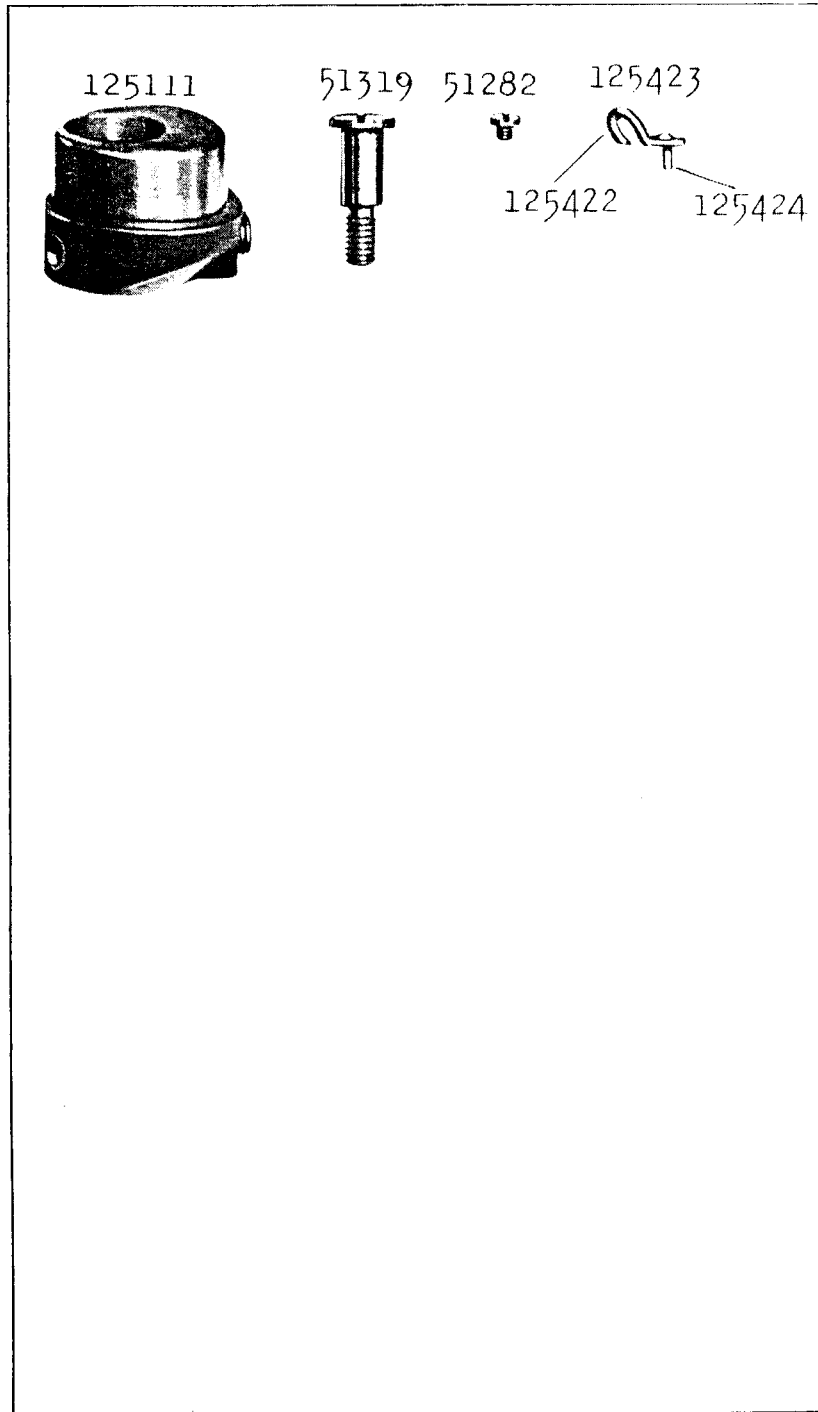












ILLUSTRATED LIST OF PARTS
FOR
CLASS 15K MACHINES

CONTENTS

	Page
Parts, complete, for 15K3 and 15K4 Machines	45
Parts, complete, for 15K24 to 15K27 and 15K71 Machines	51
Parts Special to 15K70, 15K72 and 15K73 Machines	57
" " 15K80 to 15K82 Machines... ..	58
" " 15K83 to 15K85 Machines... ..	60
Attachments	69
Bobbin Winders	65
Embroidery Hoops	71
Hand Attachment	72
Numerical List of Parts	81
Obsolete Parts	75

INSTRUCTIONS FOR ORDERING

In ordering from this List, the prefix and affix letters with the part number **MUST BE** quoted exactly as they are shown in the first column.

A number always indicates the same part in whatever List it may appear, or for whatever machine.

The affix letters (where shown) indicate the style of finish, as follows:—

- A. Hardened, Polished, Nickel Plated and Buffed.
- A.A. Buffed and Chromium Plated.
- A.B. Hardened, Polished, Buffed and Chromium Plated.
- A.C. Brown Baking Enamel Finish.
- A.D. Grey Baking Enamel Finish.
- A.E. Hardened, Bright Rumbled and Nickel Plated.
- A.F. Hardened, Bright Rumbled and Nickel Plated, Bright Rumbled and Chromium Plated.
- A.J. Polished, Nickel Plated and Chromium Plated.
- A.K. Hardened, Polished, Nickel Plated and Chromium Plated.
- A.L. Heat Treated for Toughness.
 - B. Polished, Nickel Plated and Buffed.
 - C. Hardened only.
- C.R. Hardened and Merlized.
 - D. Polished only.
 - E. Soft, not Polished.
 - F. Hardened and Polished.
- F.J. Hardened, Polished and Nickel Plated.
 - G. Bright Rumbled and Nickel Plated.
 - H. Blued.
 - J. Nickel Plated only.
- K. Hardened and Nickel Plated.
- L. Brass Plated.
- M. Oxidized.
- N. Japanned, Dull.
- P. Japanned, Bright.
- P.P. Wrinkle Finish.
- R. Merlized.
- S. Cadmium Plated.
- T. Copper Plated.
- T.A. Hardened, Polished, Copper and Nickel Plated and Buffed.
- T.B. Copper and Nickel Plated and Polished.
- T.J. Copper and Nickel Plated only.
- T.K. Hardened, Copper and Nickel Plated.
- T.L. Copper and Brass Plated.
- T.M. Copper Plated and Oxidized.
 - U. Zinc Plated.
 - V. Silver Plated.
- W. Polished and Nickel Plated.
- X. Black Oxide for Iron and Steel.
- X.C. Hardened and Black Oxide for Iron and Steel.
 - Y. Black Nickel Plated only.
 - Z. Chromium Plated.
- Z.A. Hardened, Polished, Nickel Plated, Buffed and Chromium Plated.
- Z.B. Polished, Nickel Plated, Buffed and Chromium Plated.
- Z.C. Hardened and Chromium Plated.
- Z.D. Polished and Chromium Plated.
- Z.G. Bright Rumbled, Nickel Plated, Bright Rumbled and Chromium Plated.
- Z.J. Nickel and Chromium Plated.
- Z.T. Copper and Chromium Plated.

Parts marked with an asterisk (*) are furnished only when the repairs are made at Factory.

PARTS COMPLETE

FOR

Nos. 15K3 and 15K4 Machines

(OSCILLATING SHUTTLE)

DROP FEED, FOR FAMILY USE

No.	Plate	
*15495		Arm
15496	—	" 15495 with 435c, 448c, 15404, 15486, 15498 and two 15405

NOTE. In ordering it is necessary to state the Class and Variety number of machine.

2002	992	Arm Dowel Pin (2)
4389	992	" " " (for repairs only)
138e	2502	" Screw (3)
15497	993	" Shaft
15498	1717	" " Bushing
435c	2502	" " " Position Screw
125425b	21	Arm Side Cover
51224b	1880	" " " Thumb Screw
2007b	21	" Spool Pin
8879	992	" " " Washer (cloth)
15282b	991	Balance Wheel, 2 1/4" pulley
*2805		Bed

NOTE.— In ordering it is necessary to state the Class and Variety number of machine.

256b	2502	Clamp Stop Motion Clamp Screw
248a	2502	" " " " Stop Screw
2020	21	" " " " Washer
*15312	—	" " " Flanged Bushing
15313	992	" " " " " 15312 with two 462 ^{224/50}
2022	21	" " " " " Pin
462 ^{224/50}	2502	" " " " " Set Screw

No.	Plate	
15314b	—	Clamp Stop Motion , complete, Nos. 248a, 256b, 2020 and 15313
125021	19	Crank Connecting Rod with 125012, 125044 and two 896e ...
*125012	—	" " " " Cap ...
896e	1880	" " " " Screw ...
375c	2502	" " " " Hinge Screw ...
1518j	2502	" " " " " " Nut ...
125044	—	" " " " Oil Pad (felt) ...
*15406b	1399	Face Plate ...
15407b	—	" " 15406b with 15428b ...
15432b	—	" " 15407b " 857b, 15410, 15412, 50292b and 125423b
*15408b	—	" " Tension Seat ...
15428b	1399	" " " " 15408b with 15395b ...
190b	2502	" " Screw ...
125422b	2501	" " Thread Guard ...
125423b	2501	" " " " 125422b with 125424b ...
125424b	2501	" " " " Rivet ...
55644b	—	Face Plate , complete, Nos. 1560g, 13710, 15238, 15432b, 32572, 50291j, 55645 and two 2102 ...
2037	20	Feed Bar ...
315c	2502	" " Screw Centre (2) ...
1519j	2502	" " " " Nut (2) ...
15306	992	Feed Cam with 1285c ...
1285c	2502	" " Set Screw ...
2040	25	Feed Dog ...
80050	992	" " ...
191c	2502	" " Screw ...
<i>NOTE.—No. 2040 is sent with machine unless otherwise specified on order.</i>		
15319	993	Feed Forked Connection with 175j ...
175j	2502	" " " " Adjusting Screw ...
1381c	2502	" " " " Hinge Screw (eccentric) ...
1520j	2502	" " " " " " Nut ...
1832	2502	" " " " Roller with 1085e ...
1085e	2502	" " " " " " Screw Stud ...
80007	19	Feed Lifting Rock Shaft with 1813 ...
1813	2502	" " " " Roller and Stud ...
307c	2502	" " " " Screw Centre (2) ...
1513j	2502	" " " " " " Nut (2) ...

No.	Plate	
2044	20	Feed Regulator ...
8217	21	" " Friction Washer ...
50353c	2502	" " Hinge Screw ...
51225b	1880	" " Thumb Screw ...
125036	1879	" " " " Washer ...
15297	993	Feed Rock Shaft ...
307c	2502	" " " " Screw Centre (2) ...
1513j	2502	" " " " " " Nut (2) ...
51045c	1880	Machine Hinge Connection Set Screw (2) ...
2050	19	Needle Bar ...
15248	21	" " Connecting Link with 51002e ...
15374	—	" " " " 15248 with 2052 ...
51002e	2502	" " " " Adjusting Screw ...
570c	2502	" " " " Hinge Screw ...
1520j	2502	" " " " " " Nut ...
2052	20	" " " " Stud with 155c ...
155c	2502	" " " " " " Set Screw ...
8338b	21	" " Thread Guard ...
251a	2502	" " " " Screw ...
2054	21	Needle Clamp with ^{140545c 4/5°} 552r ...
552r	2502	" " Thumb Screw ...
125013	1717	Oscillating Rock Shaft ...
307c	2502	" " " " Screw Centre (2) ...
1513j	2502	" " " " " " Nut (2) ...
2056	19	Oscillating Shaft ...
*2163	—	" " Crank with 1813 ...
2057	20	" " " " 2163 with two 462 ^{92 4/5°} ...
1813	2502	" " " " Roller and Stud ...
^{415°} 462s	2502	" " " " Set Screw ...
2049	21	" " " " Pin ...
15257	19	Presser Bar ...
55621b	24	" " Lifter ...
15486	992	" " " " Hinge Stud ...
448c	2502	" " " " " " Set Screw ...
80011	21	" " Spring ...
2068	21	" " " " Bracket with 453c ...
453c	2502	" " " " " " Set Screw ...
2070	21	" " " " Washer ...

No.	Plate						
15281b	25	Presser Foot for 2040
80059b	992	" " " 80050
51224b	1880	" " Thumb Screw
<i>NOTE:—No. 15281 is supplied with machine unless otherwise specified on order.</i>							
263d	2502	Pressure Regulating Thumb Screw
2073k	992	Shuttle Bobbin (solid and slotted)
*80196	22	" Body with 398e, 2082 and 2084
*2075	22	" Cover
44001	—	" " 2075 with 112e, 466al, 2078, 2080, 2086 and 2090
2076	22	" " Hinge Pin
2078	22	" Delivery Eye Thread Guard
2080	22	" " " " Rivet
2082	22	" Main Spring
398e	22	" " " Screw
2084	22	" " " Steady Pin
2086	22	" Tension Spring
112e	22	" " " Screw
2090	22	" " " Plate
466al	22	" " " Regulating Screw
80197	—	Shuttle, complete, Nos. 2073k, 2076, 44001 and 80196
*80199	22	Shuttle Body with 398e, 2082, 2084, 2211 and two 2212
2211	22	" Bobbin Retaining Spring
2212	22	" " " " Rivet
80200	22	Shuttle, complete, Nos. 2073k, 2076, 44001 and 80199
*80256	—	Shuttle Driver
80257	22	" " 80256 with two 457c
2049	21	" " Pin
457c	2502	" " Set Screw
2095	22	Shuttle Race Back
190c	2502	" " " Screw
2096	22	" " Body
158f	2502	" " Screw (2)
2093	22	Shuttle Race, complete, Nos. 2095, 2096 and two 190c
15188b	—	Shuttle Race Slide
15147b	24	" " " 15188b with 2824 and two 51282j
2824	21	" " " Spring
51282j	2501	" " " Screw

No.	Plate						
2102	21	Tension Disc
1560g	2502	" Regulating Thumb Nut
32572	24	" Releasing Disc
15238	24	" " Pin
50291j	1399	" Screw Stud
15410	1399	" " " Bushing
50292b	1399	" " " Set Screw
13710	1399	" Spring
*15395b	—	" Thread Guard
26075	21	Thread Cutter and Holder
15271	25	Thread Take-up Cam with 1293c
15463	—	" " " 15271 with 570c and 1520j
1293c	2502	" " " Timing Screw
15493b	21	Thread Take-up Lever with 1822
15494b	—	" " " 15493b with 50527c
50527c	2502	" " " Hinge Screw
1822	2502	" " " Roller and Stud
55645	1399	Thread Take-up Spring
15412	1399	" " " Regulator
857b	1399	" " " " Adjusting Screw
80014b	25	Throat Plate for 2040
80088b	992	" " " 80050
691a	2502	" " Screw (2)
<i>NOTE:—No. 80014 is supplied with machine unless otherwise specified on order.</i>							
125029	—	Drip Pan (for Cover Set)
*15404	—	Trade Mark
15405	—	" " Rivet

PARTS COMPLETE

FOR

Nos. 15K24 to 15K27 and 15K71 Machines

(C.B. SHUTTLE)

DROP FEED, FOR FAMILY USE

No.	Plate	
*15495	---	Arm
15496	---	" 15495 with 435c, 448c, 15404, 15486, 15498 and two 15405

NOTE. In ordering it is necessary to state the Class and Variety number of machine.

2002	992	Arm Dowel Pin (2)
4389	992	" " " (for repairs only)
138c	2502	" Screw (3)
15497	993	" Shaft
15498	1717	" " Bushing
435c	2502	" " " Position Screw
125425b	24	Arm Side Cover
80307p	1717	" " " (plain)
51224b	1880	" " " Thumb Screw
51224d	1880	" " " " "
2007	21	" Spool Pin
2007b	21	" " "
8879	992	" " " Washer (cloth)
15282	991	Balance Wheel, 2 1/2" pulley, for 15K24 and 15K25 Machines ...
15282b	991	" " 2 1/2" " " 15K26 and 15K27 Machines ...
32672	1722	" " 3 1/2" " " 15K71 Machine
*2805	---	Bed

NOTE. In ordering it is necessary to state the Class and Variety number of machine.

256b	2502	Clamp Stop Motion Clamp Screw
256d	2502	" " " " "
248a	2502	" " " " Stop Screw
2481	2502	" " " " " "
2020	21	" " " " Washer
*15312	-	" " " Flanged Bushing
15313	992	" " " " " 15312 with two 462K ... ^{4/50}
2022	21	" " " " Pin
462K	2502	" " " " " Set Screw

No.	Plate	
15314	—	Clamp Stop Motion , complete, Nos. 248f, 256d, 2020 and 15313
15314b	—	Clamp Stop Motion , complete, Nos. 248a, 256b, 2020 and 15313
80316	1881	Counterbalance Weight with 51045c
51045c	1880	" Binding Screw
125021	19	Crank Connecting Rod with 125012, 125044 and two 896e
*125012	—	" " " Cap
896e	1880	" " " Screw
375c	2502	" " " Hinge Screw
1518j	2502	" " " " " Nut
125044	—	" " " Oil Pad (felt)
*15406b	1399	Face Plate
*15406p	1399	" "
15407b	—	" " 15406b with 15428b
15407p	—	" " 15406p " 15428p
15432b	—	" " 15407b " 857b, 15410, 15412, 50292b and 125423b
15432p	—	" " 15407p " 857d, 15410, 15412, 50292d and 125423
*15408b	—	" " Tension Seat
*15408p	—	" " " " "
15428b	1399	" " " " 15408b with 15395b
15428p	1399	" " " " 15408p " 15395p
190b	2502	" " Screw
190d	2502	" " " "
125422	2501	" " Thread Guard
125422b	2501	" " " " "
125423	2501	" " " " 125422 with 125424
125423b	2501	" " " " 125422b with 125424b
125424	2501	" " Rivet
125424b	2501	" " " " "
55644b	—	Face Plate , complete, Nos. 1560g, 13710, 15238, 15432b, 32572, 50291j, 55645 and two 2102
55644p	—	Face Plate , complete, Nos. 1560d, 13710, 15238, 15432p, 32572, 50291d, 55645 and two 2102
2835	792	Feed Bar
315c	2502	" " Screw Centre (2)
1519j	2502	" " " " Nut (2)
125111	2501	Feed Cam with 1285c
1285c	2502	" " Set Screw
15279	25	Feed Dog , 12 teeth (14 teeth to the inch, three teeth at right of needle, square corner)
208a	2502	" " Screw (2)

No.	Plate	
15319	993	Feed Forked Connection with 175j
175j	2502	" " " Adjusting Screw
1381c	2502	" " " Hinge Screw (eccentric)
1520j	2502	" " " " " Nut
1832	2502	" " " Roller with 1085e
1085e	2502	" " " " Screw Stud
2816	19	Feed Lifting Rock Shaft
2836	—	" " " " 2816 with 2509
2509	20	" " " " Crank with 157j and 1813
157j	2502	" " " " " Clamping Screw
1813	2502	" " " " " Roller and Stud
307c	2502	" " " " " Screw Centre (2)
1513j	2502	" " " " " " Nut (2)
2044	20	Feed Regulator
8217	21	" " Friction Washer
50353e	2502	" " Hinge Screw
51225b	1880	" " Thumb Screw
51225d	1880	" " " " "
125036	1879	" " " " Washer
15297	993	Feed Rock Shaft
307c	2502	" " " " Screw Centre (2)
1513j	2502	" " " " " Nut (2)
51045c	1880	Machine Hinge Connection Set Screw (2)
125077	1881	Needle Bar
15248	21	" " Connecting Link with 51002e
15374	—	" " " " 15248 with 2052
51002e	2502	" " " " Adjusting Screw
570c	2502	" " " " Hinge Screw
1520j	2502	" " " " " " Nut
2052	20	" " " " Stud with 155c
155c	2502	" " " " Set Screw
125095	2002	" " Thread Guard
125095b	2002	" " " " "
251a	2502	" " " " Screw
2054	2502	Needle Clamp with 552a ^{2054-45-c 4/50}
552r	2502	" " Thumb Screw
125013	1717	Oscillating Rock Shaft
307c	2502	" " " " Screw Centre (2)
1513j	2502	" " " " " Nut (2)

No.	Plate				
		Oscillating Shaft
2510	19				
*125057	—	"	"	Crank	...
*125030	—	"	"	"	125057 with 462c and 1813 ^{AL 4/50}
125031	20	"	"	"	125057 with 1813 and two 462c ^{AL 7/50}
2049	21	"	"	"	Pin
1813	2502	"	"	"	Roller and Stud
4/6 462c	2502	"	"	"	Set Screw
15257	19	Presser Bar
55621	24	"	"	Lifter	...
55621b	24	"	"	"	...
15486	992	"	"	"	Hinge Stud
448c	2502	"	"	"	Set Screw
80011	21	"	"	"	Spring
2068	21	"	"	"	Bracket with 453c
453c	2502	"	"	"	Set Screw
2070	21	"	"	"	Washer
15281	25	Presser Foot
15281b	25	"	"	"	...
51224b	1880	"	"	"	Thumb Screw
51224d	1880	"	"	"	"
263d	2502	Pressure Regulating Thumb Screw
263j	2502	"	"	"	"
2515	23	Shuttle Body
2518	23	"	"	Bobbin	...
15277	23	"	"	"	Case with 591f, 592e, 2975, 15141 and 15278
15141	—	"	"	"	Hinge, complete, Nos. 2973, 2974 and 15140
15140	23	"	"	"	Latch
2973	23	"	"	"	Lever
2974	23	"	"	"	Fulcrum Pin
2975	23	"	"	"	Spring
592e	23	"	"	"	Stop Screw
591f	23	"	"	"	Tension Regulating Screw
15278	23	"	"	"	Spring
125018	—	Shuttle, complete, 1 1/8" diam., Nos. 2515, 2518 and 15277
*2542	—	Shuttle Driver
2441	23	"	"	"	2542 with two 462c ^{AL 4/50}
2049	21	"	"	"	Pin
4/6 462c	2502	"	"	"	Set Screw

No.	Plate				
2531	23	Shuttle Race Back
2532	23	"	"	"	Position Pin
125080	2002	"	"	"	Spring
648j	2502	"	"	"	Screw
2530	23	"	"	"	Body ^{9/8}
15437	—	Shuttle Race Body 2530 with 2535, two each 662d and 2532 ^{9/8}
2535	23	"	"	"	Cap
662d	2502	"	"	"	Screw
2528	—	Shuttle Race, complete, Nos. 648j, 2531, 15437 and 125080
2528	—	Shuttle Race, complete, Nos. 648j, 2530, 2531, 2535, 125080, two each 662d and 2532
15188	—	Shuttle Race Slide
15188b	—	"	"	"	...
15147	24	"	"	"	15188 with 2824 and two 51282j
15147b	24	"	"	"	15188b " 2824 " " 51282j
2824	21	"	"	"	Spring
51282j	2501	"	"	"	Screw
2102	21	Tension Disc
1560g	2502	"	"	"	Regulating Thumb Nut
1560d	2502	"	"	"	"
32572	24	"	"	"	Releasing Disc
15238	24	"	"	"	Pin
50291d	1399	"	"	"	Screw Stud
50291j	1399	"	"	"	"
15410	1399	"	"	"	Bushing
50292b	1399	"	"	"	Set Screw
50292d	1399	"	"	"	"
13710	1399	"	"	"	Spring
*15395b	—	"	"	"	Thread Guard
*15395p	—	"	"	"	"
26075	21	Thread Cutter and Holder
15272	25	Thread Take-up Cam with 1293c ^{140511 al}
15434	—	"	"	"	15272 with 570c and 1520j
140511 al	—	"	"	"	"
1293c	2502	"	"	"	Timing Screw
15491	21	Thread Take-up Lever with 1822
15492	—	"	"	"	15491 with 50527c
15491b	21	"	"	"	with 1822
15492b	—	"	"	"	15491b with 50527c
50527c	2502	"	"	"	Hinge Screw
1822	2502	"	"	"	Roller and Stud

No.	Plate								
55645	1399	Thread Take-up Spring
15412	1399	" " " "	Regulator
857b	1399	" " " "	" " Adjusting Screw
857d	1399	" " " "	" " " "
15280	25	Throat Plate for 15279
15280b	25	" " " "	15279
691a	2502	" " Screw (2)
691f	2502	" " " (2)
125029	---	Drip Pan (for Cover Set)
*15404	---	Trade Mark
15405	---	" " Rivet

PARTS SPECIAL

TO

Nos. 15K70, 15K72 and 15K73 Machines

(G.B. SHUTTLE)

(FOR JAPAN ONLY)

**DROP FEED, H.O., MAKES 1" STITCH, FOR STITCHING
KIMONOS AND SIMILAR WORK**

These machines are the same as 15K26 with the following exceptions :—

No.	Plate								
15282b	991	Balance Wheel , 2½" pulley, for 15K70 Machine
80314	---	" " (heavy), 2½" pulley, for 15K72 and 15K73 Machines
*15474	---	Bed
15475	1496	Feed Cam with 1285c
15487	993	" Forked Connection with 175j
8439	1496	Presser Foot
15477	1496	Throat Plate for 15279

PARTS SPECIAL

TO

Nos. 15K80 to 15K82 Machines

(C.B. SHUTTLE)

DROP FEED, FOR FAMILY USE

These machines are the same as 15K26 with the following exceptions:—

No.	Plate	
*125037	—	Arm with 435c, 448c, 15404, 15486, 15498 and two 15405 ...
125038	1879	" Oil Tube (for oiling back bearing) ...
125039	1879	" " " Wick (felt) ...
125041	1879	" " " " Spring ...
125042	1881	" Shaft ...
15282b	991	Balance Wheel, 2 $\frac{1}{4}$ " pulley, for 15K80 and 15K81 Machines ...
32672	1722	" " 3 $\frac{1}{4}$ " " " 15K82 Machine ...
*125043	—	Bed ...
125045	1879	Feed Cam and Counterbalance with 1285c ...
125046	1881	Feed Forked Connection ...
125047	1879	" " " Slide Block ...
125335	—	" " " " " 125047 with 1085e ...
1085e	2502	" " " " " Screw Stud ...
125048	1880	" Lifting Rock Shaft Centre (left) ...
51246c	1880	" " " " " (") Set Screw ...
125049	1880	" " " " " (right) ...
51246c	1880	" " " " " (") Set Screw ...
125050	1879	" Regulator ...
125048	1880	" Rock Shaft Centre (left) ...
51246c	1880	" " " " " (") Set Screw ...
125049	1880	" " " " " (right) ...
51246c	1880	" " " " " (") Set Screw ...
125079	1879	Needle Bar ...
125052	1879	" " Bushing ...
125072	—	" " " Oil Pad (felt) ...
1498c	1880	" " " " Set Screw ...

No.	Plate	
125055	1879	Oscillating Rock Shaft with 125056 ...
125048	1880	" " " Centre (left) ...
51246c	1880	" " " " (") Set Screw ...
125049	1880	" " " " (right) ...
51246c	1880	" " " " (") Set Screw ...
125056	—	" " " Oil Wick (braided cotton) ...
125063	—	Oscillating Shaft 2510 with 2049 and 125062 ...
*125086	—	" " " 125063 with 125058, 125065 and two 51229c ...
*125058	—	" " " Crank 125057 with 462 c ^{AL 4/50} and 125330 ...
125059	1880	" " " 125057 with 125330 and two 462 c ^{AL 4/50} ...
15170	1879	" " " Slide Block ...
125330	—	" " " " " 15170 with 125060 ...
125060	1879	" " " " " Stud ...
125061	1879	Presser Bar ...
15281b	25	Presser Foot ...
45329	—	Presser Foot Hinge Pin ...
45319	—	" " Plate ...
45320	—	" " Shank ...
45321	2002	Presser Foot (hinged), complete, Nos. 45319, 45320 and 45329 ...
NOTE.—No. 45321 is sent with machine unless otherwise specified on order.		
51228b	1880	Pressure Regulating Thumb Screw ...
66773	—	" " " " 51228b with 66752 ...
66752	1880	" " " " Plug (felt) ...
*125062	—	Shuttle Driver ...
✓ 125064	1880	" " " 125092 with 125065 and two 51229c ...
✓ 125092	—	" " " 125062 with two 462 c ^{AL 4/50} ...
125065	1880	" " " Cushion Spring ...
51229c	1880	" " " " Screw ...

PARTS SPECIAL

TO

Nos. 15K83 to 15K85 Machines

(C.B. SHUTTLE)

(FOR JAPAN ONLY)

DROP FEED, H.O., MAKES $\frac{1}{4}$ " STITCH, FOR STITCHING KIMONOS AND SIMILAR WORK

These machines are the same as 15K26 with the following exceptions:—

No.	Plate			
*125037	—	Arm with 435c, 448c, 15404, 15486, 15498 and two 15405
125038	1879	" Oil Tube (for oiling back bearing)
125039	1879	" " " Wick (felt)
125041	1879	" " " " Spring
15282b	991	Balance Wheel, $2\frac{1}{4}$ " pulley, for 15K83 Machine
80314	—	" " (heavy), $2\frac{1}{4}$ " pulley, for 15K84 Machine
32672	1722	" " $3\frac{1}{4}$ " pulley, for 15K85 Machine
*125043	—	Bed
80316	1881	Counterbalance Weight with 51045c
51045c	1880	" " Binding Screw
80317	2002	Feed Cam with 1285c
80319	1881	Feed Forked Connection
125047	1879	" " " Slide Block
125335	—	" " " " " 125047 with 1085e
1085e	2502	" " " " " Screw Stud
125048	1880	" Lifting Rock Shaft Centre (left)
51246c	1880	" " " " " (") Set Screw
125049	1880	" " " " " (right)
51246c	1880	" " " " " (") Set Screw
80318	2002	" Regulator
125048	1880	" Rock Shaft Centre (left)
51246c	1880	" " " " " (") Set Screw
125049	1880	" " " " " (right)
51246c	1880	" " " " " (") Set Screw
125079	1879	Needle Bar
125052	1879	" " Bushing
125072	—	" " " Oil Pad (felt)
1498c	1880	" " " Set Screw

No.	Plate			
125055	1879	Oscillating Rock Shaft with 125056
125048	1880	" " " Centre (left)
51246c	1880	" " " " (") Set Screw
125049	1880	" " " " (right)
51246c	1880	" " " " (") Set Screw
125056	—	" " " Oil Wick (braided cotton)
125063	—	Oscillating Shaft 2510 with 2049 and 125062
*125086	—	" " 125063 with 125058, 125065 and two 51229c
*125058	—	" " Crank 125057 with 462c and 125330
125059	1880	" " " 125057 with 125330 and two 462c
15170	1879	" " " Slide Block
125330	—	" " " " " 15170 with 125060
125060	1879	" " " " " Stud
125061	1879	Presser Bar
8439	1496	Presser Foot
51228b	1880	Pressure Regulating Thumb Screw
66773	—	" " " " 51228b with 66752
66752	1880	" " " " Plug (felt)
*125062	—	Shuttle Driver
125064	1880	" " 125092 with 125065 and two 51229c
*125092	—	" " 125062 with two 462c
125065	1880	" " Cushion Spring
51229c	1880	" " " " Screw
15477	1496	Throat Plate for 15279

No.	Plate	
125055	1879	Oscillating Rock Shaft with 125056
125048	1880	" " " Centre (left)
51246c	1880	" " " " (") Set Screw
125049	1880	" " " " (right)
51246c	1880	" " " " (") Set Screw
125056	—	" " " Oil Wick (braided cotton)
125063	—	Oscillating Shaft 2510 with 2049 and 125062
*125086	—	" " 125063 with 125058, 125065 and two 51229c
*125058	—	" " Crank 125057 with 462c and 125330
125059	1880	" " " 125057 with 125330 and two 462c
15170	1879	" " " Slide Block
125330	—	" " " " " 15170 with 125060
125060	1879	" " " " " Stud
125061	1879	Presser Bar
8439	1496	Presser Foot
51228b	1880	Pressure Regulating Thumb Screw
66773	—	" " " " 51228b with 66752
66752	1880	" " " " Plug (felt)
*125062	—	Shuttle Driver
125064	1880	" " 125092 with 125065 and two 51229c
*125092	—	" " 125062 with two 462c
125065	1880	" " Cushion Spring
51229c	1880	" " " " Screw
15477	1496	Throat Plate for 15279

Bobbin Winder

FOR

15K3 and 15K4 Machines

No.	Plate	
15376b	1421	Adjusting Arm
50058b	990	" " Screw
15072	992	Bobbin Position Pin
15284	—	Bracket (belt cover)
180b	990	" Screw
15413	1421	Frame
50059b	990	" Hinge Screw
15286	990	" Spring
15287	990	Friction Ring (rubber)
15288b	990	Pulley
15300b	1551	Spindle with 15072
571c	990	" Worm
15378b	1551	Stop Latch
50230b	1421	" " Hinge Screw
15291	990	" " Spring
15415b	1551	Thread Guide
50061b	990	" " Hinge Screw
15366	990	" " Spring
15416b	1421	Worm Wheel and Thread Guide Cam
2749	990	" " " " " " Friction Washer
50b	990	" " " " " " Screw Stud
1528j	990	" " " " " " Nut
15417b	—	Bobbin Winder (automatic), complete, Nos. 50b, 571c, 1528j, 2749, 15284, 15286, 15287, 15288b, 15291, 15300b, 15366, 15376b, 15378b, 15413, 15415b, 15416b, 50058b, 50059b, 50061b and 50230b, for 15K3 and 15K4 Machines

Bobbin Winders

FOR

15K24 to 15K27, 15K70, 15K72 and 15K73 Machines

No.	Plate						
15376	1421	Adjusting Arm
15376b	1421	"	"
50058b	990	"	"	Screw
50058d	990	"	"	"
15072	992	Bobbin Position Pin
15284	—	Bracket (belt cover)
180b	990	"	"	Screw
15413	1421	Frame
50059b	990	"	"	Hinge Screw
50059d	990	"	"	"
15286	990	"	"	Spring
15287	990	Friction Ring (rubber)
15288	990	Pulley
15288b	990	"
15289	990	Spindle with 15072
15289b	990	"	"	15072
571c	990	"	"	Worm
15377	1421	Stop Latch
15377b	1421	"	"
50230b	1421	"	"	Hinge Screw
50230d	1421	"	"	"
15291	990	"	"	Spring
15418	1421	Thread Guide
15418b	1421	"	"
50061b	990	"	"	Hinge Screw
50061d	990	"	"	"
15366	990	"	"	Spring
15416	1421	Worm Wheel and Thread Guide Cam
15416b	1421	"	"	"
2749	990	"	"	"
50b	990	"	"	"
50d	990	"	"	"
1528j	990	"	"	"
15419	1421	Bobbin Winder (automatic), complete, Nos. 50d, 571c, 1528j, 2749, 15284, 15286 to 15289, 15291, 15366, 15376, 15377, 15413, 15416, 15418, 50058d, 50059d, 50061d and 50230d, for 15K24 and 15K25 Machines
15419b	1421	Bobbin Winder (automatic), complete, Nos. 50b, 571c, 1528j, 2749, 15284, 15286, 15287, 15288b, 15289b, 15291, 15366, 15376b, 15377b, 15413, 15416b, 15418b, 50058b, 50059b, 50061b and 50230b, for 15K26, 15K27, 15K70, 15K72 and 15K73 Machines

Bobbin Winder

FOR

15K71 Machine

This Bobbin Winder is the same as No. 15419b with the following exceptions:

No.	Plate						
125025	—	Bracket (belt cover)
125026b	—	Bobbin Winder (automatic), complete, Nos. 50b, 571c, 1528j, 2749, 15286, 15287, 15288b, 15289b, 15291, 15366, 15376b, 15377b, 15413, 15416b, 15418b, 50058b, 50059b, 50061b, 50230b and 125025

Bobbin Winder

for Balance Wheel No. 15282 or No. 32672

for 15K80 to 15K85 Machines

No.	Plate						
✓ 15072	992	Bobbin Position Pin
† 125324	1955	Bracket (belt cover)
158e	2502	" Screw (2)
✓ 66670	1955	Frame
✓ 125366	—	" 66670 with 15288 and 125068
✓ 51319b	2501	" Hinge Screw
✓ 66601	1882	" Spring
✓ 15287	990	Friction Ring (rubber)
✓ 15288	990	Pulley
✓ 125068	1882	Spindle with 15072
2007	21	Spool Pin
8879	992	" " Washer (cloth)
✓ 125376	1955	Stop Latch
✓ 51303b	—	" " Hinge Screw
✓ 125462 66775	1955	" " Spring
✓ 125395	1955	Tension Bracket
✓ 125396	—	" " complete, Nos. 45845 to 45847, 125395 and 140138b
193b	1880	" " Screw
7071	1955	" " " Washer
✓ 45845	1955	" Disc
✓ 45847	1955	" " Spring
✓ 45846	1955	" " " Disc
✓ 140138b	1955	" Screw
✓ 125326	1955	Tripping Arm
✓ 190b	2502	" " Screw
† 125327	1955	Bobbin Winder (automatic), complete, Nos. 190b, 15287, 51303b, 51319b, 66601, 66775 , 125324, 125326, 125366 and 125376

† In ordering it is necessary to state class of machine.

Attachments

ATTACHMENT SET for 15K3 and 15K4 Machines

(Supplied with Machines to Great Britain)

No.	Plate						
121464	930	Binder
36865	—	Edge Stitcher
121441	—	Gathering Foot (double toe)
35931	930	Hemmer (adjustable)
120842	992	" (foot), $\frac{5}{64}$ " Hem
15 x 1	—	Needles (6)
35932	930	Quilter
25537	905	Screw Driver (machine)
120378	905	" " (shuttle tension)
2073k	992	Shuttle Bobbin (3)
120862	—	Tin of Oil (1½ oz.)
121547	909	Under Braider
50053b	1880	" " Thumb Screw
86500	—	Set, complete, Nos. 25537, 35931, 35932, 36865, 50053b, 120378, 120842, 120862, 121441, 121464, 121547, three 2073k and six needles

ATTACHMENT SET for 15K26, 15K27, 15K70 to 15K73 and 15K80 to 15K85 Machines

(Supplied with Machines to Great Britain)

These Attachments are the same as for Set No. 86500 with the following exceptions:—

No.	Plate						
2518	23	Shuttle Bobbin (3)
86501	—	Set, complete, Nos. 25537, 35931, 35932, 36865, 50053b, 120378, 120842, 120862, 121441, 121464, 121547, three 2518 and six needles
25525	905	Bias Gauge
25527b	905	Cloth Guide
120290	930	Ruffler
121170	909	" Shirring Plate
25539	905	Stiletto...
36583	1160	Tucker

Delete 1/50

No.	Plate	
25525	905	Bias Gauge
121441	—	Gathering Foot (double toe)
35932	930	Quilter
120290	930	Ruffler
121170	909	" Shirring Plate
25539	905	Stiletto
121547	909	Under Braider

Art Work and Darning

No.	Plate	
85893	1151	Embroidery Foot (for Art Work)
90070	9009	Feed Cover Plate

Cording Feet

FOR STITCHING ON EDGE AND INSERTING CORD

No.	Plate	
15429	1151	Presser Foot (left toe)
125035	—	" " (right toe)

W/SO 140545K 552K

No.	Plate	
86493	1160	Needle Clamp with <i>140545K 716</i> Screw
86494	1160	" " Stripper Spring
86495	1160	" " " " Eyelet
86496	1160	Darning Presser, complete, Nos. 86493 to 86495

Presser Foot

for Cording and Slide Fastener Work.

1/50

No.	Plate	
121875	—	Presser Foot
140347w	—	" " Adjusting Thumb Screw
121876	—	" " Body
121877	—	Presser Foot (adjustable for sewing on the right or left side of the needle), complete, Nos. 121875, 121876 and 140347w

NOTE.—When ordering 35983 state size of attachment with which it is to be used.

35985	1151	Tubular Trimming Attachment, complete, Nos. 25539, 35983 and 35984
-------	------	--

NOTE.—When ordering 35985 state size required.

Embroidery Hoops (Plain)

(BIRCH)

No.	Plate	
87586	—	Round, 5 $\frac{1}{8}$ " diam. \times 7 $\frac{7}{16}$ " high
96416	—	" 7" " \times 7 $\frac{7}{16}$ " "
87589	1221	" 8" " \times 7 $\frac{7}{16}$ " "
87593	—	" 10" " \times 7 $\frac{7}{16}$ " "
87595	—	" 12" " \times 7 $\frac{7}{16}$ " "
96422	1221	Oval, 9" \times 4 $\frac{1}{2}$ " \times 7 $\frac{7}{16}$ " high
87597	—	" 12" \times 5 $\frac{1}{2}$ " \times 7 $\frac{7}{16}$ " "

Embroidery Hoops (with Clamp)

(BIRCH)

No.	Plate	
96417	—	Round, 5 $\frac{1}{8}$ " diam. \times 7 $\frac{7}{16}$ " high, with SS528j, NN95j, two 96425 and four 96427
96418	—	" 7" " \times 7 $\frac{7}{16}$ " " " SS528j, NN95j, two 96426 and four 96427
96419	—	" 8" " \times 7 $\frac{7}{16}$ " " " SS528j, NN95j, two 96426 and four 96427
96420	—	" 10" " \times 7 $\frac{7}{16}$ " " " SS528j, NN95j, two 96426 and four 96427
96421	—	" 12" " \times 7 $\frac{7}{16}$ " " " SS528j, NN95j, two 96844 and four 96845
96423	—	Oval, 9" \times 4 $\frac{1}{2}$ " \times 7 $\frac{7}{16}$ " high, with SS528j, NN95j, 96425, 96426 and four 96427
96424	—	" 12" \times 5 $\frac{1}{2}$ " \times 7 $\frac{7}{16}$ " " " SS528j, NN95j, 96425, 96426 and four 96427
96425	2399	Clamping Bracket for 96417, 96423 and 96424
96426	2399	" " " 96418 to 96420, 96423 and 96424
96844	2399	" " " 96421
96427	2399	" " Rivet for 96417 to 96420, 96423 and 96424
96845	2399	" " " " 96421
SS528j	2399	" " Screw
NN95j	2399	" " " Nut

Hand Attachment

No.	Plate	
3/51 94050 ✓	2284	Body
94027 ✓	2284	" Bracket
183e ✓	2502	" " Screw
94028 ✓	2114	Crank Handle (wood)
94029b ✓	2114	" " Spindle
94030b ✓	2114	" " " Flange (loose)
94069 ✓	2114	" Hinge Pin
94031a ✓	2284	" Lever
94032 ✓	2114	" " Lock Pin
94033b ✓	2114	" " " Head
55531 ✓	2114	" " " Spring
94034b ✓	—	Crank, complete, Nos. 94028, 94029b, 94030b and 94031a
94046 ✓	2114	Driver
94070	—	" 94046 with 80028 and 94048
94036 ✓	2114	" Finger
94039 ✓	2114	" " Driving Pad (raw-hide)
94040 ✓	2114	" " " Plate
SS567e ✓	2114	" " " and Plate Binding Screw
94041 ✓	—	" " 94036 with SS567e, 94039 and 94040
94044 ✓	2114	" " Hinge Pin
94037 ✓	2114	" " Latch
SS565e ✓	2114	" " " Screw Stud
94038 ✓	2114	" " " Spring
94051b	2284	Gear with 55531, 94032 and 94033b
94016 ✓	2284	" Cover
399a ✓	2502	" " Screw
SS599f ✓	2114	" Screw Stud
94048	2114	Pinion
80028 ✓	2114	" Dowel Pin
SS600f ✓	2114	" Screw Stud (eccentric)
3/51 †94052b	2284	Hand Attachment, complete, Nos. SS565e, SS566c, SS599f, SS600f, 94016, 94027, 94034b, 94037, 94038, 94041, 94044, 94050, 94051b, 94069, 94070, two each 183e and 399a
SS566c ✓	2114	Hand Attachment Screw

3/51 † In ordering it is necessary to state Class of Machine.

No.	Plate	
1058	2502	Presser Bar Lifter Hinge Screw for 15K3, 15K4 and 15K24 to 15K27 Machines
1520	2502	" " " " " Nut for 15K3, 15K4 and 15K24 to 15K27 Machines
80067	—	Shuttle Race, complete, Nos. 80076, 80178, two each SS502c and SS503f, for 15K3 and 15K4 Machines
80076	—	" " Body for 80067
SS503	2502	" " " Ring Screw for 80067
80178	—	" " Ring for 80067
SS502	2502	" " Screw for 80067
1338	24	Tension Screw Stud for 15K3, 15K4, 15K26 and 15K27 Machines
1338-1	24	" " " for 15K24 and 15K25 Machines
2826	992	" Thread Guard for 15K24 and 15K25 Machines
2826-1	992	" " " for 15K3, 15K4, 15K26 and 15K27 Machines
2828	—	Thread Take-up Cam with 448c and 1293c, for 15K3 and 15K4 Machines
2837	—	" " " " 448c and 1293c, for 15K24 to 15K27 Machines
448	2502	" " " Set Screw for 2828 and 2837
2829	21	Thread Take-up Spring for 15K3, 15K4 and 15K24 to 15K27 Machines
2830	1717	" " " Regulator for 15K3, 15K4 and 15K24 to 15K27 Machines
248	2502	" " " Adjusting Screw for 15K3, 15K4, 15K26 and 15K27 Machines
248f	2502	" " Spring Regulator Adjusting Screw for 15K24 and 15K25 Machines

Obsolete Parts

No.	Plate	
15267	19	Arm Shaft for 15K3, 15K4 and 15K24 to 15K27 Machines ...
15311	991	" " " 15K3, 15K4 and 15K24 to 15K27 Machines ...
2006	20	" " Bushing (back) for 15K3, 15K4 and 15K24 to 15K27 Machines
*2803	20	" " " (front) " 15K3, 15K4 and 15K24 to 15K27 Machines
80002	—	Balance Wheel for 15K24 and 15K25 Machines ...
80002b	—	" " " 15K3, 15K4, 15K26 and 15K27 Machines ...
15152	—	Clamp Stop Motion Flanged Bushing 2021 with two 462 ^{2 1/2} for 15K3, 15K4 and 15K24 to 15K27 Machines ...
2815b	992	Face Plate Tension Seat for 15K3, 15K4, 15K26 and 15K27 Machines
2815p	992	" " " " " 15K24 and 15K25 Machines ...
80037	20	Feed Bar with 80036 for 15K24 to 15K27 Machines ...
80038	21	" " Retaining Spring for 15K24 to 15K27 Machines ...
80036	21	" " " " Pin for 80037 ...
2038	24	" Cam with 448c, for 15K3, 15K4 and 15K24 to 15K27 Machines
2042	19	Feed Forked Connection for 15K3, 15K4 and 15K24 to 15K27 Machines
74c	2502	" Regulator Hinge Screw for 15K3, 15K4 and 15K24 to 15K27 Machines
2047	19	Feed Rock Shaft for 2046 ...
2046	—	" " " 2047 with 2048 for 15K3, 15K4 and 15K24 to 15K27 Machines
2048	20	" " " Crank with 465c for 2046 ...
2049	21	" " " " Pin for 15K3, 15K4 and 15K24 to 15K27 Machines
2050	19	Needle Bar for 15K24 to 15K27 and 15K71 Machines ...
2819	—	" " Connecting Link with 794c, for 15K3, 15K4 and 15K24 to 15K27 Machines
8338	21	" " Thread Guard for 15K24 and 15K25 Machines ...
8338b	21	" " " " " 15K26, 15K27 and 15K71 Machines
2820	24	Oscillating Rock Shaft for 15K3, 15K4 and 15K24 to 15K27 Machines

Bobbin Winders

FOR

15K3 and 15K4 Machines

No.	Plate	
15283b	990	Adjusting Arm ...
50058b	990	" " Screw ...
15072	992	Bobbin Position Pin ...
15284	—	Bracket (belt cover) ...
180b	990	" Screw ...
15285	990	Frame ...
50059b	990	" Hinge Screw ...
15286	990	" Spring ...
15287	990	Friction Ring (rubber) ...
15288b	990	Pulley ...
15300b	1551	Spindle with 15072 ...
571c	990	" Worm ...
15301b	—	Stop Latch ...
50060b	990	" " Hinge Screw ...
15291	990	" " Spring ...
15365b	—	Thread Guide ...
2746b	990	" " Cam ...
233b	990	" " " Screw ...
50061b	990	" " Hinge Screw ...
15366	990	" " Spring ...
2748b	990	Worm Wheel ...
2749	990	" " Friction Washer ...
50b	990	" " Screw Stud ...
1528j	990	" " " " Nut ...
15303b	—	Bobbin Winder (automatic), complete, Nos. 50b, 233b, 571c, 1528j, 2746b, 2748b, 2749, 15283b to 15288b, 15291, 15300b, 15301b, 15365b, 15366 and 50058b to 50061b ...

Bobbin Winders

FOR

15K24 to 15K27 Machines

No.	Plate						
15283	990	Adjusting Arm
15283b	990	" "
50058b	990	" " Screw
50058d	990	" " "
15072	992	Bobbin Position Pin
15284	—	Bracket (belt cover)
180b	990	" " Screw
15285	990	Frame
50059b	990	" Hinge Screw
50059d	990	" " "
15286	990	" Spring
15287	990	Friction Ring (rubber)
15288	990	Pulley
15288b	990	" " "
15289	990	Spindle with 15072
15289b	990	" " 15072
571c	990	" Worm
15290	990	Stop Latch
15290b	990	" " "
50060b	990	" " Hinge Screw
50060d	990	" " " "
15291	990	" " Spring
15364	990	Thread Guide
15364b	990	" " "
2746	990	" " Cam
2746b	990	" " "
233b	990	" " " Screw
233d	990	" " " "
50061b	990	" " Hinge Screw
50061d	990	" " " "
15366	990	" " Spring
2748	990	Worm Wheel
2748b	990	" " "
2749	990	" " Friction Washer
50b	990	" " Screw Stud
50d	990	" " " "
1528j	990	" " " " Nut
15294	990	Bobbin Winder (automatic), complete, Nos. 50d, 233d, 571c, 1528j, 2746, 2748, 2749, 15283 to 15291, 15364, 15366 and 50058d to 50061d
15294b	990	Bobbin Winder (automatic), complete, Nos. 50b, 233b, 571c, 1528j, 2746b, 2748b, 2749, 15283b to 15291, 15364b, 15366 and 50058b to 50061b

Bobbin Winder

FOR

15K80, 15K81, 15K83 and 15K84 Machines

No.	Plate						
15072	992	Bobbin Position Pin
125074	—	Bracket (belt cover)
158e	1257	" " Screw (2)
125067	1882	Frame
50464b	1882	" " Hinge Screw
66601	1882	" " Spring
15287	990	Friction Ring (rubber)
15288	990	Pulley
125068	1882	Spindle with 15072
2007	21	Spool Pin
8879	992	" " Washer (cloth)
125069	1882	Stop Latch
50466b	1882	" " Hinge Screw
66610	1882	" " Spring
66672	1882	Tension Bracket
66673	—	" " complete, Nos. 208b, 9544, 9545, 10106 and 66672
193b	1880	" " Screw
7071	1955	" " " Washer
10106	1882	" " Disc
9544	1882	" " Cover
208b	2502	" " " Screw
9545	1882	" " Spring
125070	1882	Tripping Arm
190b	2502	" " Screw
125075	1882	Bobbin Winder (automatic), complete, Nos. 190b, 15287, 15288, 50464b, 50466b, 66601, 66610, 125067 to 125070 and 125074

Bobbin Winder

FOR

15K82 and 15K85 Machines

This Bobbin Winder is the same as No. 125075 with the following exceptions:—

No.	Plate						
125066	—	Bracket (belt cover)
125071	—	Bobbin Winder (automatic), complete, Nos. 190b, 15287, 15288, 50464b, 50466b, 66601, 66610 and 125066 to 125070

Numerical List of Parts

No.	Plate	
50b	990	Bobbin Winder Worm Wheel and Thread Guide Cam Screw Stud for 1517b, 15419b and 125026b
50b	990	Bobbin Winder Worm Wheel Screw Stud for 15294b and 15303b ... (Obsolete)
50d	990	Bobbin Winder Worm Wheel and Thread Guide Cam Screw Stud for 15419 ...
50d	990	Bobbin Winder Worm Wheel Screw Stud for 15294 ... (Obsolete)
74c	2502	Feed Regulator Hinge Screw for 15K3, 15K4 and 15K24 to 15K27 Machines (Obsolete)
NN95j	2399	Embroidery Hoop Clamping Bracket Screw Nut for 96417 to 96421, 96423 and 96424
112c	22	Shuttle Tension Spring Screw for 44001 ...
138e	2502	Arm Screw ... <i>948</i>
145d	2502	Shuttle Race Body <i>948</i> Screw for 15K24 to 15K27, 15K70 to 15K73 and 15K80 to 15K85 Machines
155c	2502	Needle Bar Connecting Stud Set Screw for 2052
157j	2502	Feed Lifting Rock Shaft Crank Clamping Screw for 2509
158e	2502	Bobbin Winder Bracket Screw for 15K80 to 15K85 Machines
158f	2502	Shuttle Race Screw for 15K3 and 15K4 Machines
175j	2502	Feed Forked Connection Adjusting Screw for 15319 and 15487
180b	990	Bobbin Winder Bracket Screw for 15K3, 15K4, 15K24 to 15K27 and 15K70 to 15K73 Machines
183c	2502	Hand Attachment Body Bracket Screw for 94052b
190b	2502	Bobbin Winder Tripping Arm Screw for 125071, 125075 and 125327
190b	2502	Face Plate Screw for 15K3, 15K4, 15K26, 15K27, 15K70 to 15K73 and 15K80 to 15K85 Machines
190c	2502	Shuttle Race Back Screw for 2093 ...
190d	2502	Face Plate Screw for 15K24 and 15K25 Machines

No.	Plate	
191c	2502	Feed Dog Screw for 15K3 and 15K4 Machines
193b	1880	Bobbin Winder Tension Bracket Screw for 15K80 to 15K85 Machines
208b	2502	Bobbin Winder Tension Disc Cover Screw for 66673 (Obsolete)
208a	2502	Feed Dog Screw for 15K24 to 15K27, 15K70 to 15K73 and 15K80 to 15K85 Machines
233b	990	Bobbin Winder Thread Guide Cam Screw for 15294b and 15303b (Obsolete)
233d	990	Bobbin Winder Thread Guide Cam Screw for 15294 (Obsolete)
248a	2502	Clamp Stop Motion Clamp Stop Screw for 15314b
248a	2502	Thread Take-up Spring Regulator Adjusting Screw for 15K3, 15K4, 15K26 and 15K27 Machines (Obsolete)
248f	2502	Clamp Stop Motion Clamp Stop Screw for 15314
248f	2502	Thread Take-up Spring Regulator Adjusting Screw for 15K24 and 15K25 Machines (Obsolete)
251a	2502	Needle Bar Thread Guard Screw
256b	2502	Clamp Stop Motion Clamp Screw for 15314b
256d	2502	Clamp Stop Motion Clamp Screw for 15314
263d	2502	Pressure Regulating Thumb Screw for 15K3, 15K4, 15K26, 15K27 and 15K70 to 15K73 Machines
263j	2502	Pressure Regulating Thumb Screw for 15K24 and 15K25 Machines
307c	2502	Feed Lifting Rock Shaft Screw Centre for 15K3, 15K4, 15K24 to 15K27 and 15K70 to 15K73 Machines
307c	2502	Feed Rock Shaft Screw Centre for 15K3, 15K4, 15K24 to 15K27 and 15K70 to 15K73 Machines
307c	2502	Oscillating Rock Shaft Screw Centre for 15K3, 15K4, 15K24 to 15K27 and 15K70 to 15K73 Machines
315c	2502	Feed Bar Screw Centre
375c	2502	Crank Connecting Rod Hinge Screw
398e	22	Shuttle Main Spring Screw for 80196 and 80199
399a	2502	Hand Attachment Gear Cover Screw for 94052b
435c	2502	Arm Shaft Bushing Position Screw for 15496 and 125037

No	Plate	
448c	2502	Presser Bar Lifter Hinge Stud Set Screw for 15496 and 125037
448c	2502	Thread Take-up Cam Set Screw for 2828 and 2837 (Obsolete)
453c	2502	Presser Bar Spring Bracket Set Screw for 2068
457c	2502	Shuttle Driver Set Screw for 80257
462c	2502	Clamp Stop Motion Flanged Bushing Set Screw for 15152 and 15313
462c	2502	Oscillating Shaft Crank Set Screw for 2057, 125030, 125031, 125058 and 125059
462c	2502	Shuttle Driver Set Screw for 2441 and 125092
466al	22	Shuttle Tension Spring Regulating Screw for 44001
SS502c	2502	Shuttle Race Screw for 80067 (Obsolete)
SS503f	2502	Shuttle Race Body Ring Screw for 80067 (Obsolete)
SS528j	2399	Embroidery Hoop Clamping Bracket Screw for 96417 to 96421, 96423 and 96424
552k	2502	Darning Presser Needle Clamp Screw for 86493 <i>obsolete use 120545K 7/50</i>
552r	2502	Needle Clamp Thumb Screw for 2054 <i>obsolete use 140545C</i>
SS565e	2114	Hand Attachment Driver Finger Latch Screw Stud for 94052b
SS566c	2114	Hand Attachment Screw for 94052b
SS567e	2114	Hand Attachment Driver Finger Driving Pad and Plate Binding Screw for 94041
570c	2502	Needle Bar Connecting Link Hinge Screw for 15434 and 15463
571c	990	Bobbin Winder Spindle Worm for 15294, 15294b, 15303b, 15417b, 15419, 15419b and 125026b
591f	23	Shuttle Tension Regulating Screw for 15277
592e	23	Shuttle Bobbin Case Latch Stop Screw for 15277
SS599f	2114	Hand Attachment Gear Screw Stud for 94052b
SS600f	2114	Hand Attachment Pinion Screw Stud (eccentric) for 94052b
648j	2502	Shuttle Race Back Spring Screw for 2528
662d	2502	Shuttle Race Cap Screw for 2528 15437 9/48
691a	2502	Throat Plate Screw for 15K3, 15K4, 15K26, 15K27, 15K70 to 15K73 and 15K80 to 15K85 Machines
691f	2502	Throat Plate Screw for 15K24 and 15K25 Machines

No.	Plate	
857b	1399	Thread Take-up Spring Regulator Adjusting Screw for 15432b
857d	1399	Thread Take-up Spring Regulator Adjusting Screw for 15432p
896e	1880	Crank Connecting Rod Cap Screw for 125021
1058c	2502	Presser Bar Lifter Hinge Screw for 15K3, 15K4 and 15K24 to 15K27 Machines (Obsolete)
1085e	2502	Feed Forked Connection Roller Screw Stud for 1832
1085e	2502	Feed Forked Connection Slide Block Screw Stud for 125335
1285c	2502	Feed Cam Set Screw for 15306, 15475, 80317, 125045 and 125111
1293c	2502	Thread Take-up Cam Timing Screw for 2828, 2837, 15271 and 15272 ⁶⁻⁵²
1338b	24	Tension Screw Stud for 15K3, 15K4, 15K26 and 15K27 Machines (Obsolete)
1338d	24	Tension Screw Stud for 15K24 and 15K25 Machines (Obsolete)
1381c	2502	Feed Forked Connection Hinge Screw (eccentric)
1498c	1880	Needle Bar Bushing Set Screw for 15K80 to 15K85 Machines
1513j	2502	Feed Lifting Rock Shaft Screw Centre Nut for 15K3, 15K4, 15K24 to 15K27 and 15K70 to 15K73 Machines
1513j	2502	Feed Rock Shaft Screw Centre Nut for 15K3, 15K4, 15K24 to 15K27 and 15K70 to 15K73 Machines
1513j	2502	Oscillating Rock Shaft Screw Centre Nut for 15K3, 15K4, 15K24 to 15K27 and 15K70 to 15K73 Machines
1518j	2502	Crank Connecting Rod Hinge Screw Nut
1519j	2502	Feed Bar Screw Centre Nut
1520c	2502	Presser Bar Lifter Hinge Screw Nut for 15K3, 15K4 and 15K24 to 15K27 Machines (Obsolete)
1520j	2502	Feed Forked Connecting Hinge Screw Nut
1520j	2502	Needle Bar Connecting Link Hinge Screw Nut for 15434 and 15463
1528j	990	Bobbin Winder Worm Wheel Screw Stud Nut for 15294, 15294b and 15303b (Obsolete)
1528j	990	Bobbin Winder Worm Wheel and Thread Guide Cam Screw Stud Nut for 15417b, 15419, 15419b and 125026b

No.	Plate	
1560d	2502	Tension Regulating Thumb Nut for 55644p
1560g	2502	Tension Regulating Thumb Nut for 55644b
1813	2502	Feed Lifting Rock Shaft Roller and Stud for 80007
1813	2502	Feed Lifting Rock Shaft Crank Roller and Stud for 2509
1813	2502	Oscillating Shaft Crank Roller and Stud for 2163, 125030 and 125031
1822	2502	Thread Take-up Lever Roller and Stud for 15491, 15491b and 15493b
1832	2502	Feed Forked Connection Roller with 1085c for 15K3, 15K4, 15K24 to 15K27 and 15K70 to 15K73 Machines
2002	992	Arm Dowel Pin
2006	20	Arm Shaft Bushing (back) for 15K3, 15K4 and 15K24 to 15K27 Machines (Obsolete)
2007	21	Arm Spool Pin for 15K24 and 15K25 Machines
2007	21	Bobbin Winder Spool Pin for 15K80 to 15K85 Machines
2007b	21	Arm Spool Pin for 15K3, 15K4, 15K26, 15K27, 15K70 to 15K73 and 15K80 to 15K85 Machines
2020	21	Clamp Stop Motion Clamp Washer for 15314 and 15314b
2022	21	Clamp Stop Motion Flanged Bushing Pin
2037	20	Feed Bar for 15K3 and 15K4 Machines
2038	24	Feed Cam with 448c for 15K3, 15K4 and 15K24 to 15K27 Machines (Obsolete)
2040	25	Feed Dog for 15K3 and 15K4 Machines
2042	19	Feed Forked Connection for 15K3, 15K4 and 15K24 to 15K27 Machines (Obsolete)
2044	20	Feed Regulator for 15K3, 15K4, 15K24 to 15K27 and 15K70 to 15K73 Machines
2046	...	Feed Rock Shaft 2047 with 2048 for 15K3, 15K4 and 15K24 to 15K27 Machines (Obsolete)
2047	19	Feed Rock Shaft for 2046 (Obsolete)
2048	20	Feed Rock Shaft Crank with 465c for 2046 (Obsolete)
2049	21	Feed Rock Shaft Crank Pin for 15K3, 15K4 and 15K24 to 15K27 Machines (Obsolete)
2049	21	Oscillating Shaft Crank Pin
2049	21	Shuttle Driver Pin
2050	19	Needle Bar for 15K3 and 15K4 Machines and Obsolete for 15K24 to 15K27 and 15K71 Machines

No.	Plate	
2052	20	Needle Bar Connecting Stud with 155c for 15374 ...
2054	21	Needle Clamp with 552 1405458 7/50 ...
2056	19	Oscillating Shaft for 15K3 and 15K4 Machines
2057	20	Oscillating Shaft Crank 2163 with two 4628 ^{AC 7/50} for 15K3 and 15K4 Machines ...
2068	21	Presser Bar Spring Bracket with 453c ...
2070	21	Presser Bar Spring Washer ...
2073k	992	Shuttle Bobbin (solid and slotted) for 80197, 80200 and 86500 ...
*2075	22	Shuttle Cover for 44001 ...
2076	22	Shuttle Cover Hinge Pin for 80197 and 80200
2078	22	Shuttle Delivery Eye Thread Guard for 44001 ...
2080	22	Shuttle Delivery Eye Thread Guard Rivet for 44001 ...
2082	22	Shuttle Main Spring for 80196 and 80199 ...
2084	22	Shuttle Main Spring Steady Pin for 80196 and 80199 ...
2086	22	Shuttle Tension Spring for 44001 ...
2090	22	Shuttle Tension Spring Plate for 44001 ...
2093	22	Shuttle Race, complete, Nos. 2095, 2096 and two 190c, for 15K3 and 15K4 Machines
2095	22	Shuttle Race Back for 2093 ...
2096	22	Shuttle Race Body for 2093 ...
2102	21	Tension Disc for 55644b and 55644p
*2163	—	Oscillating Shaft Crank with 1813 for 2057
2211	22	Shuttle Bobbin Retaining Spring for 80199
2212	22	Shuttle Bobbin Retaining Spring Rivet for 80199 ...
2441	23	Shuttle Driver 2542 with two 4628 ^{AC 7/50} for 15K24 to 15K27 and 15K70 to 15K73 Machines
2509	20	Feed Lifting Rock Shaft Crank with 157j and 1813 for 2836 ...
2510	19	Oscillating Shaft for 15K24 to 15K27, 15K70 to 15K73 and 15K80 to 15K85 Machines
2515	23	Shuttle Body for 125018 ...
2516	23	Shuttle Bobbin for 86501 and 125018 ...
2528	—	Shuttle Race, complete, Nos. 648j, 2531, 15437 and 125080, for 15K24 to 15K27, 15K70 to 15K73 and 15K80 to 15K85 Machines ...
9/48		
2530	23	Shuttle Race Body for 2528 15437 9/48 ...
2531	23	Shuttle Race Back for 2528 ...
2532	23	Shuttle Race Back Position Pin for 2528 15437 9/48 ...
2535	23	Shuttle Race Cap for 2528 15437 9/48 ...
*2542	—	Shuttle Driver for 2441 ...

No.	Plate	
2746	990	Bobbin Winder Thread Guide Cam for 15294 (Obsolete)
2746b	990	Bobbin Winder Thread Guide Cam for 15294b and 15303b ... (Obsolete)
2748	990	Bobbin Winder Worm Wheel for 15294 ... (Obsolete)
2748b	990	Bobbin Winder Worm Wheel for 15294b and 15303b ... (Obsolete)
2749	990	Bobbin Winder Worm Wheel Friction Washer for 15294, 15294b and 15303b (Obsolete)
2749	990	Bobbin Winder Worm Wheel and Thread Guide Cam Friction Washer for 15417b, 15419, 15419b and 125026b ...
*2803	20	Arm Shaft Bushing (front) for 15K3, 15K4 and 15K24 to 15K27 Machines (Obsolete)
*2805	—	Bed for 15K3, 15K4, 15K24 to 15K27 and 15K71 Machines ...
2815b	992	Face Plate Tension Seat for 15K3, 15K4, 15K26 and 15K27 Machines (Obsolete)
2815p	992	Face Plate Tension Seat for 15K24 and 15K25 Machines ... (Obsolete)
2816	19	Feed Lifting Rock Shaft for 2836 ...
2819	—	Needle Bar Connecting Link with 794c for 15K3, 15K4 and 15K24 to 15K27 Machines (Obsolete)
2820	24	Oscillating Rock Shaft for 15K3, 15K4 and 15K24 to 15K27 Machines (Obsolete)
2824	21	Shuttle Race Slide Spring for 15147 and 15147b ...
2826	992	Tension Thread Guard for 15K24 and 15K25 Machines ... (Obsolete)
2826b	992	Tension Thread Guard for 15K3, 15K4, 15K26 and 15K27 Machines (Obsolete)
2828	—	Thread Take-up Cam with 448c and 1293c for 15K3 and 15K4 Machines (Obsolete)
2829	21	Thread Take-up Spring for 15K3, 15K4 and 15K24 to 15K27 Machines (Obsolete)
2830	1717	Thread Take-up Spring Regulator for 15K3, 15K4 and 15K24 to 15K27 Machines (Obsolete)
2835	792	Feed Bar for 15K24 to 15K27, 15K70 to 15K73 and 15K80 to 15K85 Machines ...
2836	—	Feed Lifting Rock Shaft 2816 with 2509 for 15K24 to 15K27, 15K70 to 15K73 and 15K80 to 15K85 Machines ...

No.	Plate	
2837	—	Thread Take-up Cam with 448c and 1293c for 15K24 to 15K27 Machines (Obsolete)
2973	23	Shuttle Bobbin Case Latch Lever for 15141
2974	23	Shuttle Bobbin Case Latch Lever Fulcrum Pin for 15141
2975	23	Shuttle Bobbin Case Latch Spring for 15277
4389	992	Arm Dowel Pin (for repairs only) ...
7071	1955	Bobbin Winder Tension Bracket Screw Washer for 15K80 to 15K85 Machines ...
8217	21	Feed Regulator Friction Washer
8338	21	Needle Bar Thread Guard for 15K24 and 15K25 Machines ... (Obsolete)
8338b	21	Needle Bar Thread Guard for 15K3 and 15K4 Machines and Obsolete for 15K26, 15K27 and 15K71 Machines
8439	1496	Presser Foot for 15K70, 15K72, 15K73 and 15K83 to 15K85 Machines
8879	992	Arm Spool Pin Washer (cloth)
8879	992	Bobbin Winder Spool Pin Washer (cloth) for 15K80 to 15K85 Machines
9544	1882	Bobbin Winder Tension Disc Cover for 66673 (Obsolete)
9545	1882	Bobbin Winder Tension Disc Spring for 66673 (Obsolete)
10106	1882	Bobbin Winder Tension Disc for 66673 (Obsolete)
13710	1399	Tension Spring for 55644b and 55644p ...
15072	992	Bobbin Winder Bobbin Position Pin for 15289, 15289b, 15300b and 125068 ...
15140	23	Shuttle Bobbin Case Latch for 15141 ...
15141	—	Shuttle Bobbin Case Hinge, complete, Nos. 2973, 2974 and 15140 for 15277 ...
15147	24	Shuttle Race Slide 15188 with 2824 and two 51282j for 15K24 and 15K25 Machines ...
15147b	24	Shuttle Race Slide 15188b with 2824 and two 51282j for 15K3, 15K4, 15K26, 15K27, 15K70 to 15K73 and 15K80 to 15K85 Machines
15152	—	Clamp Stop Motion Flanged Bushing 2021 with two 462c for 15K3, 15K4 and 15K24 to 15K27 Machines ... (Obsolete)
15170	1879	Oscillating Shaft Crank Slide Block for 125330
15188	—	Shuttle Race Slide for 15147
15188b	—	Shuttle Race Slide for 15147b
15238	24	Tension Releasing Pin for 55644b and 55644p
15248	21	Needle Bar Connecting Link with 51002c for 15374

No.	Plate	
15257	19	Presser Bar for 15K3, 15K4, 15K24 to 15K27 and 15K70 to 15K73 Machines ...
15267	19	Arm Shaft for 15K3, 15K4 and 15K24 to 15K27 Machines ... (Obsolete)
15271	25	Thread Take-up Cam with 1293c for 15463
15272	25	Thread Take-up Cam with 4331a or 1293c for 15434 4-52
15277	23	Shuttle Bobbin Case, with 591f, 592e, 2975, 15141 and 15278 for 125018
15278	23	Shuttle Tension Spring for 15277
15279	25	Feed Dog, 12 teeth (14 teeth to the inch, three teeth at right of needle, square corner) for 15K24 to 15K27, 15K70 to 15K73 and 15K80 to 15K85 Machines ...
15280	25	Throat Plate for 15279 for 15K24 and 15K25 Machines
15280b	25	Throat Plate for 15279 for 15K26, 15K27, 15K70 to 15K73 and 15K80 to 15K82 Machines
15281	25	Presser Foot for 15279 for 15K24 and 15K25 Machines
15281b	25	Presser Foot for 2040 and 15279 for 15K3, 15K4, 15K26, 15K27, 15K71 and 15K80 to 15K82 Machines
15282	991	Balance Wheel 2 1/4" pulley for 15K24 and 15K25 Machines
15282b	991	Balance Wheel 2 1/4" pulley for 15K3, 15K4, 15K26, 15K27, 15K70, 15K80, 15K81 and 15K83 Machines
15283	990	Bobbin Winder Adjusting Arm for 15294 (Obsolete)
15283b	990	Bobbin Winder Adjusting Arm for 15294b and 15303b ... (Obsolete)
15284	—	Bobbin Winder Bracket (belt cover), for 15294, 15294b, 15303b, 15417b, 15419 and 15419b
15285	990	Bobbin Winder Frame for 15294, 15294b, and 15303b ... (Obsolete)
15286	990	Bobbin Winder Frame Spring for 15294, 15294b, 15303b, 15417b, 15419, 15419b and 125026b
15287	990	Bobbin Winder Friction Ring (rubber) for 15294, 15294b, 15303b, 15417b, 15419, 15419b, 125026b, 125071, 125075 and 125327
15288	990	Bobbin Winder Pulley for 15294, 15419, 125071, 125075 and 125366

No.	Plate	
15288b	990	Bobbin Winder Pulley for 15294b, 15303b, 15417b, 15419b and 125026b
15289	990	Bobbin Winder Spindle with 15072 for 15294 and 15419
15289b	990	Bobbin Winder Spindle with 15072 for 15294b, 15419b and 125026b
15290	990	Bobbin Winder Stop Latch for 15294 (Obsolete)
15290b	990	Bobbin Winder Stop Latch for 15294b (Obsolete)
15291	990	Bobbin Winder Stop Latch Spring for 15294, 15294b, 15303b, 15417b, 15419, 15419b and 125026b
15294	990	Bobbin Winder (automatic), complete, Nos. 50d, 233d, 571c, 1528j, 2746, 2748, 2749, 15283 to 15291, 15364, 15366 and 50058d to 50061d, for 15K24 and 15K25 Machines (Obsolete)
15294b	990	Bobbin Winder (automatic), complete, Nos. 50b, 233b, 571c, 1528j, 2746b, 2748b, 2749, 15283b to 15291, 15364b, 15366 and 50058b to 50061b, for 15K26 and 15K27 Machines (Obsolete)
15297	993	Feed Rock Shaft
15300b	1551	Bobbin Winder Spindle with 15072 for 15303b and 15417b
15301b	---	Bobbin Winder Stop Latch for 15303b (Obsolete)
15303b	---	Bobbin Winder (automatic), complete, Nos. 50b, 233b, 571c, 1528j, 2746b, 2748b, 2749, 15283b to 15288b, 15291, 15300b, 15301b, 15365b, 15366 and 50058b to 50061b, for 15K3 and 15K4 Machines (Obsolete)
15306	992	Feed Cam with 1285c, for 15K3 and 15K4, Machines
15311	991	Arm Shaft for 15K3, 15K4 and 15K24 to 15K27 Machines (Obsolete)
*15312	---	Clamp Stop Motion Flanged Bushing for 15313
15313	992	Clamp Stop Motion Flanged Bushing 15312 with two 462 ² for 15314 and 15314b
15314	---	Clamp Stop Motion, complete, Nos. 248f, 256d, 2020 and 15313, for 15K24 and 15K25 Machines

No.	Plate	
15314b	---	Clamp Stop Motion, complete, Nos. 248a, 256b, 2020 and 15313, for 15K3, 15K4, 15K26, 15K27, 15K70 to 15K73 and 15K80 to 15K85 Machines
15319	993	Feed Forked Connection with 175j for 15K3, 15K4, 15K24 to 15K27 and 15K71 Machines
15359	1717	Feed Cover Plate
15364	990	Bobbin Winder Thread Guide for 15294 (Obsolete)
15364b	990	Bobbin Winder Thread Guide for 15294b (Obsolete)
15365b	---	Bobbin Winder Thread Guide for 15303b (Obsolete)
15366	990	Bobbin Winder Thread Guide Spring for 15294, 15294b, 15303b, 15417b, 15419, 15419b and 125026b... ..
15374	---	Needle Bar Connecting Link 15248 with 2052
15376	1421	Bobbin Winder Adjusting Arm for 15419
15376b	1421	Bobbin Winder Adjusting Arm for 15417b, 15419b and 125026b
15377	1421	Bobbin Winder Stop Latch for 15419
15377b	1421	Bobbin Winder Stop Latch for 15419b and 125026b
15378b	1551	Bobbin Winder Stop Latch for 15417b
*15395b	---	Tension Thread Guard for 15428b
*15395p	---	Tension Thread Guard for 15428p
*15404	---	Trade Mark for 15496 and 125037
15405	---	Trade Mark Rivet for 15496 and 125037
*15406b	1399	Face Plate for 15407b
*15406p	1399	Face Plate for 15407p
15407b	---	Face Plate 15406b with 15428b for 15432b
15407p	---	Face Plate 15406p with 15428p for 15432p
*15408b	---	Face Plate Tension Seat for 15428b
*15408p	---	Face Plate Tension Seat for 15428p
15410	1399	Tension Screw Stud Bushing for 15432b and 15432p
15412	1399	Thread Take-up Spring Regulator for 15432b and 15432p
15413	1421	Bobbin Winder Frame for 15417b, 15419, 15419b and 125026b
15415b	1551	Bobbin Winder Thread Guide for 15417b
15416	1421	Bobbin Winder Worm Wheel and Thread Guide Cam for 15419

No.	Plate	
15416b	1421	Bobbin Winder Worm Wheel and Thread Guide Cam for 15417b, 15419b and 125026b ...
15417b	—	Bobbin Winder (automatic), complete, Nos. 50b, 571c, 1528j, 2749, 15284, 15286, 15287, 15288b, 15291, 15300b, 15366, 15376b, 15378b, 15413, 15415b, 15416b, 50058b, 50059b, 50061b and 50230b, for 15K3 and 15K4 Machines ...
15418	1421	Bobbin Winder Thread Guide for 15419 ...
15418b	1421	Bobbin Winder Thread Guide for 15419b and 125026b ...
15419	1421	Bobbin Winder (automatic), complete, Nos. 50d, 571c, 1528j, 2749, 15284, 15286 to 15289, 15291, 15366, 15376, 15377, 15413, 15416, 15418, 50058d, 50059d, 50061d and 50230d for 15K24 and 15K25 Machines ...
15419b	1421	Bobbin Winder (automatic), complete, Nos. 50b, 571c, 1528j, 2749, 15284, 15286, 15287, 15288b, 15289b, 15291, 15366, 15376b, 15377b, 15413, 15416b, 15418b, 50058b, 50059b, 50061b and 50230b, for 15K26, 15K27, 15K70, 15K72 and 15K73 Machines ...
15428b	1399	Face Plate Tension Seat 15408b with 15395b for 15407b ...
15428p	1399	Face Plate Tension Seat 15408p with 15395p for 15407p ...
15429	1151	Presser Foot for Stitching on Edge and Inserting Cord ...
15432b	—	Face Plate 15407b with 857b, 15410, 15412, 50292b and 125423b for 55644b ...
15432p	—	Face Plate 15407p with 857d, 15410, 15412, 50292d and 125423 for 55644p ...
15434	—	Thread Take-up Cam 15272 with 570c and 1520j, for 15K24 to 15K27, 15K70 to 15K73 and 15K80 to 15K85 Machines ...
15463	—	Thread Take-up Cam 15271 with 570c and 1520j, for 15K3 and 15K4 Machines ...
*15474	—	Bed for 15K70, 15K72 and 15K73 Machines ...
15475	1496	Feed Cam with 1285c for 15K70, 15K72 and 15K73 Machines ...
15477	1496	Throat Plate for 15279 for 15K70, 15K72 15K73 and 15K83 to 15K85 Machines ...
15437	—	Shuttle Race Body 2530 with 2535, two each 662d and 2532, for 2528 ...

9/48

No.	Plate	
15486	992	Presser Bar Lifter Hinge Stud for 15496 and 125037 ...
15487	993	Feed Forked Connection with 175j for 15K70, 15K72 and 15K73 Machines ...
15491	21	Thread Take-up Lever with 1822 for 15492
15491b	21	Thread Take-up Lever with 1822 for 15492b
15492	—	Thread Take-up Lever 15491 with 50527c for 15K24 and 15K25 Machines ...
15492b	—	Thread Take-up Lever 15491b with 50527c for 15K26, 15K27, 15K70 to 15K73 and 15K80 to 15K85 Machines ...
15493b	21	Thread Take-up Lever with 1822 for 15494b
15494b	—	Thread Take-up Lever 15493b with 50527c, for 15K3 and 15K4 Machines ...
*15495	—	Arm for 15496 ...
15496	—	Arm 15495 with 435c, 448c, 15104, 15486, 15498 and two 15405, for 15K3, 15K4, 15K24 to 15K27 and 15K70 to 15K73 Machines ...
15497	993	Arm Shaft for 15K3, 15K4, 15K24 to 15K27, 15K70 to 15K73 and 15K83 to 15K85 Machines ...
15498	1717	Arm Shaft Bushing for 15496 and 125037 ...
25525	905	Bias Gauge ...
25527b	905	Cloth Guide for 86500 and 86501 ⁶⁵⁰ ...
25537	905	Screw Driver (machine) for 86500 and 86501
25539	905	Stiletto for 25005 ¹⁵² ...
26075	21	Thread Cutter and Holder ...
32572	24	Tension Releasing Disc for 55644b and 55644p
32672	1722	Balance Wheel ...
36865	—	Edge Stitcher for 86500 and 86501 ⁶⁵⁰ ...
35931	930	Hemmer (adjustable) for 86500 and 86501
35932	930	Quilter for 86500 and 86501 ⁶⁵⁰ ...
35983	1151	Tubular Trimming Attachment Strip Wire for 35985 ...
35984	1151	Tubular Trimming Attachment Presser Foot (strip folding), with tube for 35985 ¹⁵² ...
35985	1151	Tubular Trimming Attachment complete for making $\frac{3}{8}$", 1" and $\frac{5}{8}$" trimmings. Nos. 25539, 35983 and 85984 ... ^{1/52}
36569	991	Oiler for 86500 and 86501 ⁶⁵⁰ ...
36583	1160	Tucker for 86500 and 86501 ⁶⁵⁰ ...
44001	—	Shuttle Cover 2075 with 112c, 466a, 2078, 2080, 2086 and 2090 for 80197 and 80200
45319	—	Presser Foot Plate for 45321 ...
45320	—	Presser Foot Shank for 45321 ...

No.	Plate	
45321	2002	Presser Foot (hinged), complete, Nos. 45319, 45320 and 45329, for 15K80 to 15K82 Machines
45329	---	Presser Foot Hinge Pin for 45321
45845	1955	Bobbin Winder Tension Disc for 125396
45846	1955	Bobbin Winder Tension Disc Spring Disc for 125396
45847	1955	Bobbin Winder Tension Disc Spring for 125396
^{4/50} 50053b	1880	Under Braider Thumb Screw for 86500 and 86501
50058b	990	Bobbin Winder Adjusting Arm Screw for 15294b, 15303b, 15417b, 15419b and 125026b
50058d	990	Bobbin Winder Adjusting Arm Screw for 15294 and 15419
50059b	990	Bobbin Winder Frame Hinge Screw for 15294b, 15303b, 15417b, 15419b and 125026b
50059d	990	Bobbin Winder Frame Hinge Screw for 15294 and 15419
50060b	990	Bobbin Winder Stop Latch Hinge Screw for 15294b and 15303b ... (Obsolete)
50060d	990	Bobbin Winder Stop Latch Hinge Screw for 15294 ... (Obsolete)
50061b	990	Bobbin Winder Thread Guide Hinge Screw for 15294b, 15303b, 15417b, 15419b and 125026b
50061d	990	Bobbin Winder Thread Guide Hinge Screw for 15294 and 15419
50230b	1421	Bobbin Winder Stop Latch Hinge Screw for 15417b, 15419b and 125026b
50230d	1421	Bobbin Winder Stop Latch Hinge Screw for 15419
50291d	1399	Tension Screw Stud for 55644p
50291j	1399	Tension Screw Stud for 55644b
50292b	1399	Tension Screw Stud Set Screw for 15432b
50292d	1399	Tension Screw Stud Set Screw for 15432p
50353e	2502	Feed Regulator Hinge Screw
50464b	1882	Bobbin Winder Frame Hinge Screw for 125071 and 125075 ... (Obsolete)
50466b	1882	Bobbin Winder Stop Latch Hinge Screw for 125071 and 125075 ... (Obsolete)
50527c	2502	Thread Take-up Lever Hinge Screw for 15492, 15492b and 15494b
51002e	2502	Needle Bar Connecting Link Adjusting Screw for 15248

No.	Plate	
51045c	1880	Counterbalance Weight Binding Screw for 80316
51045c	1880	Machine Hinge Connection Set Screw
51224b	1880	Arm Side Cover Thumb Screw for 15K3, 15K4, 15K26, 15K27, 15K70 to 15K73 and 15K80 to 15K85 Machines
51224b	1880	Presser Foot Thumb Screw for 15K3, 15K4, 15K26, 15K27, 15K70 to 15K73 and 15K80 to 15K85 Machines
51224d	1880	Arm Side Cover Thumb Screw for 15K24 and 15K25 Machines
51224d	1880	Presser Foot Thumb Screw for 15K24 and 15K25 Machines
51225b	1880	Feed Regulator Thumb Screw for 15K3, 15K4, 15K26, 15K27, 15K70 to 15K73 and 15K80 to 15K85 Machines
51225d	1880	Feed Regulator Thumb Screw for 15K24 and 15K25 Machines
51228b	1880	Pressure Regulating Thumb Screw for 66773
51229c	1880	Shuttle Driver Cushion Spring Screw for 125064 and 125086
51246c	1880	Feed Lifting Rock Shaft Centre (left) Set Screw for 15K80 to 15K85 Machines
51246c	1880	Feed Lifting Rock Shaft Centre (right) Set Screw for 15K80 to 15K85 Machines
51246c	1880	Feed Rock Shaft Centre (left) Set Screw for 15K80 to 15K85 Machines
51246c	1880	Feed Rock Shaft Centre (right) Set Screw for 15K80 to 15K85 Machines
51246c	1880	Oscillating Rock Shaft Centre (left) Set Screw for 15K80 to 15K85 Machines
51246c	1880	Oscillating Rock Shaft Centre (right) Set Screw for 15K80 to 15K85 Machines
51282j	2501	Shuttle Race Slide Spring Screw for 15147 and 15147b
51303b	---	Bobbin Winder Stop Latch Hinge Screw for 125327
51319b	2501	Bobbin Winder Frame Hinge Screw for 125327
55531	2114	Hand Attachment Crank Lever Lock Pin Spring for 94051b
55621	24	Presser Bar Lifter for 15K24 and 15K25 Machines
55621b	24	Presser Bar Lifter for 15K3, 15K4, 15K26, 15K27, 15K70 to 15K73 and 15K80 to 15K85 Machines

No.	Plate	
55644b	—	Face Plate, complete, Nos. 1560g, 13710, 15238, 15432b, 32572, 50291j, 55645 and two 2102, for 15K3, 15K4, 15K26, 15K27, 15K70 to 15K73 and 15K80 to 15K85 Machines
55644p	—	Face Plate, complete, Nos. 1560d, 13710, 15238, 15432p, 32572, 50291d, 55645 and two 2102, for 15K24 and 15K25 Machines
55645	1399	Thread Take-up Spring for 55644b and 55644p
66601	1882	Bobbin Winder Frame Spring for 125071, 125075 and 125327
66610	1882	Bobbin Winder Stop Latch Spring for 125071 and 125075 ... (Obsolete)
66670	1955	Bobbin Winder Frame for 125366 ...
66672	1882	Bobbin Winder Tension Bracket for 66673 (Obsolete)
66673	—	Bobbin Winder Tension Bracket, complete, Nos. 208b, 9544, 9545, 10106 and 66672, for 15K80 to 15K85 Machines (Obsolete)
✓ 66752	1880	Pressure Regulating Thumb Screw Plug (felt) for 66773
66773	—	Pressure Regulating Thumb Screw 51228b with 66752, for 15K80 to 15K85 Machines
66775	1955	Bobbin Winder Stop Latch Spring for 125327

9/48 USE OBSOLETE 125462

No.	Plate	
80002	—	Balance Wheel for 15K24 and 15K25 Machines (Obsolete)
80002b	—	Balance Wheel for 15K3, 15K4, 15K26 and 15K27 Machines ... (Obsolete)
80007	19	Feed Lifting Rock Shaft with 1813 for 15K3 and 15K4 Machines
80011	21	Presser Bar Spring
80014b	25	Throat Plate for 2040 for 15K3 and 15K4 Machines
80028	2114	Hand Attachment Pinion Dowel Pin for 94070
80036	21	Feed Bar Retaining Spring Pin for 80037 (Obsolete)
80037	20	Feed Bar with 80036 for 15K24 to 15K27 Machines ... (Obsolete)
80038	21	Feed Bar Retaining Spring for 15K24 to 15K27 Machines ... (Obsolete)
80050	992	Feed Dog for 15K3 and 15K4 Machines ...
80059b	992	Presser Foot for 80050 for 15K3 and 15K4 Machines
80067	—	Shuttle Race, complete, Nos. 80076, 80178, two each SS502e and SS503f for 15K3 and 15K4 Machines ... (Obsolete)
80076	—	Shuttle Race Body for 80067 (Obsolete)
80088b	992	Throat Plate for 80050 for 15K3 and 15K4 Machines
80178	—	Shuttle Race Ring for 80067 (Obsolete)
*80196	22	Shuttle Body with 398e, 2082 and 2084 for 80197
80197	—	Shuttle, complete, Nos. 2073k, 2076, 44001 and 80196 for 15K3 and 15K4 Machines
*80198	22	Shuttle Body with 398e, 2082, 2084, 2211 and two 2212 for 80200
80200	22	Shuttle, complete, Nos. 2073k, 2076, 44001 and 80199 for 15K3 and 15K4 Machines
*80256	—	Shuttle Driver for 80257
80257	22	Shuttle Driver 80256 with two 457c for 15K3 and 15K4 Machines
80307p	1717	Arm Side Cover (plain) for 15K24 and 15K25 Machines

No.	Plate	
80314	—	Balance Wheel (heavy) 2 $\frac{1}{4}$ " pulley, for 15K72, 15K73 and 15K84 Machines
80316	1881	Counterbalance Weight with 51045c, for 15K24 to 15K27, 15K71 and 15K83 to 15K85 Machines
80317	2002	Feed Cam with 1285c, for 15K83 to 15K85 Machines
80318	2002	Feed Regulator for 15K83 to 15K85 Machines
80319	1881	Feed Forked Connection for 15K83 to 15K85 Machines
85893	1151	Embroidery Foot (for Art Work)
86079	2002	Feed Cover Plate
86493	1160	Darning Presser Needle Clamp with 86496 for 86496
86494	1160	Darning Presser Needle Clamp Stripper Spring for 86496
86495	1160	Darning Presser Needle Clamp Stripper Spring Eyelet for 86496
86496	1160	Darning Presser, complete, Nos. 86493 to 86495
86500	—	Attachment Set, complete, Nos. 25527b, 25537, 35931, 36569, 36569, 50053b, 120378, 120842, 121464, three 2073k and six needles for 15K3 and 15K4 Machines ^{25527b, 25537, 35931, 36569, 50053b, 120378, 120842, 121464, three 2073k and six needles for 15K3 and 15K4 Machines} 4/50 ^{4/50}
86501	—	Attachment Set, complete, Nos. 25527b, 25537, 35931, 36569, 36569, 50053b, 120378, 120842, 121464, three 2518 and six needles for 15K26, 15K27, 15K70 to 15K73 and 15K80 to 15K85 Machines ... ^{25527b, 25537, 35931, 36569, 50053b, 120378, 120842, 121464, three 2518 and six needles for 15K26, 15K27, 15K70 to 15K73 and 15K80 to 15K85 Machines} 6/50 ^{6/50}

NOTE.—The Set for 15K24 and 15K25 Machines is the same as above, except that 25527 and 50053d are sent in place of 25527b and 50053b.

87586	—	Embroidery Hoop (round, birch) 5 $\frac{1}{8}$ " diam. × 7 $\frac{7}{8}$ " high
87589	1221	Embroidery Hoop (round, birch) 8" diam. × 7 $\frac{7}{8}$ " high
87593	—	Embroidery Hoop (round, birch) 10" diam. × 7 $\frac{7}{8}$ " high
87595	—	Embroidery Hoop (round, birch) 12" diam. × 7 $\frac{7}{8}$ " high
87597	—	Embroidery Hoop (oval, birch) 12" × 5 $\frac{1}{4}$ " × 7 $\frac{7}{8}$ " high
94016	2284	Hand Attachment Gear Cover for 94052b ...
94027	2284	Hand Attachment Body Bracket for 94052b
94028	2114	Hand Attachment Crank Handle (Wood) for 94034b

No.	Plate	
94029b	2114	Hand Attachment Crank Handle Spindle for 94034b
94030b	2114	Hand Attachment Crank Handle Spindle Flange (loose) for 94034b
94031a	2284	Hand Attachment Crank Lever for 94034b ...
94032	2114	Hand Attachment Crank Lever Lock Pin for 94051b
94033b	2114	Hand Attachment Crank Lever Lock Pin Head for 94051b
94034b	—	Hand Attachment Crank, complete, Nos. 94028, 94029b, 94030b and 94031a, for 94052b
94036	2114	Hand Attachment Driver Finger for 94041
94037	2114	Hand Attachment Driver Finger Latch for 94052b
94038	2114	Hand Attachment Driver Finger Latch Spring for 94052b
94039	2114	Hand Attachment Driver Finger Driving Pad (raw-hide) for 94041
94040	2114	Hand Attachment Driver Finger Driving Pad Plate for 94041
94041	—	Hand Attachment Driver Finger 94036 with SS567e, 94039 and 94040 for 94052b ...
94044	2114	Hand Attachment Driver Finger Hinge Pin for 94052b
94046	2114	Hand Attachment Driver for 94070
94048	2114	Hand Attachment Pinion for 94070
^{3/51} 94050	2284	Hand Attachment Body for 94052b
94051b	2284	Hand Attachment Gear, with 55531, 94032 and 94033b, for 94052b
^{3/51} 94052b	2284	Hand Attachment, complete, Nos. SS565e, SS566e, SS599f, SS600f, 94016, 94027, 94034b, 94037, 94038, 94041, 94044, 94050, 94051b, 94069, 94070, two each 183e and 399a
94069	2114	Hand Attachment Crank Hinge Pin for 94052b
94070	—	Hand Attachment Driver 94046 with 80028 and 94048, for 94052b
96416	—	Embroidery Hoop (round, birch) 7" diam. × 7 $\frac{7}{8}$ " high
96417	—	Embroidery Hoop (round, birch) 5 $\frac{1}{8}$ " diam. × 7 $\frac{7}{8}$ " high with SS528j, NN95j, two 96425 and four 96427
96418	—	Embroidery Hoop (round, birch) 7" diam. × 7 $\frac{7}{8}$ " high with SS528j, NN95j, two 96426 and four 96427

^{3/51} † In ordering it is necessary to state Class of Machine.

No.	Plate			
96419	--	Embroidery Hoop (round, birch) 8" diam. × 7 ^m / _m high with SS528j, NN95j, two 96426 and four 96427
96420	---	Embroidery Hoop (round, birch) 10" diam. × 7 ^m / _m high with SS528j, NN95j, two 96426 and four 96427
96421	---	Embroidery Hoop (round, birch) 12" diam. × 1 ^m / _m high with SS528j, NN95j, two 96844 and four 96845
96422	1221	Embroidery Hoop (oval, birch) 9" × 4 ^m / _m × 7 ^m / _m high
96423	--	Embroidery Hoop (oval, birch) 9" × 4 ^m / _m × 7 ^m / _m high with SS528j, NN95j, 96425, 96426 and four 96427
96424	---	Embroidery Hoop (oval, birch) 12" × 5 ^m / _m × 7 ^m / _m high with SS528j, NN95j, 96425, 96426 and four 96427
96425	2399	Embroidery Hoop Clamping Bracket for 96417, 96423 and 96424
96426	2399	Embroidery Hoop Clamping Bracket for 96418 to 96420, 96423 and 96424
96427	2399	Embroidery Hoop Clamping Bracket Rivet for 96417 to 96420, 96423 and 96424
96844	2399	Embroidery Hoop Clamping Bracket for 96421
96845	2399	Embroidery Hoop Clamping Bracket Rivet for 96421
			121875	Presser Foot for 121877 ...
			121876	Presser Foot Body for 121877 ...
			121877	Presser Foot (adjustable for sewing on the right or left side of the needle), complete, Nos. 121875, 121876 and 140347w, for Cording and Slide Fastener Work ...

No.	Plate	
120290	930	Ruffler
120378	905	Screw Driver (shuttle tension) for 86500 and 86501
120687	1151	Imitation Hemstitching Attachment with Yielding Presser Plate
120842	1151	Hemmer (foot), $\frac{5}{8}$ " hem, for 86500 and 86501 (Attachments)
190869		Tin of Oil (1 1/2 oz) for 86500 and 86501
121094		Darning Foot (spring) <i>6/20</i>
121441		Gathering Foot (double toe) <i>for 86500 and 86501 750</i>
121464	930	Binder for 86500 and 86501
121547	909	Under Braider <i>for 86500 and 86501 450</i> (Attachments)
*125012		Crank Connecting Rod Cap for 125021
125013	1717	Oscillating Rock Shaft for 15K3, 15K4, 15K24 to 15K27 and 15K70 to 15K73 Machines
125018		Shuttle, complete, $1\frac{1}{8}$ " diam., Nos. 2515, 2518 and 15277 for 15K24 to 15K27, 15K70 to 15K73 and 15K80 to 15K85 Machines
125021	19	Crank Connecting Rod with 125012, 125044 and two 896e
125025		Bobbin Winder Bracket (belt) cover for 125026b
125026b		Bobbin Winder (automatic), complete, Nos. 50b, 571c, 1528j, 2749, 15286, 15287, 15288b, 15289b, 15291, 15366, 15376b, 15377b, 15413, 15416b, 15418b, 50058b, 50059b, 50061b, 50230b and 125025 for 15K71 Machine
125029		Drip Pan (for Cover Set)
*125030		Oscillating Shaft Crank 125057 with 462c and 1813 for 15K24 to 15K27 and 15K70 to 15K73 Machines <i>AL 4/50</i>
125031	20	Oscillating Shaft Crank 125057 with 1813
125035		Presser Foot (right to ² c, for 15K24 to 15K27 and ³ Machines and Inserting Cord
125036	1879	Feed Regulator b Screw Washer
*125037		Arm with 435c, 15404, 15486, 15498 and two 154 for 15K80 to 15K85 Machines
125038	1879	Arm Oil Tube (for ¹ g back bearing) for 15K80 to 15K85 Machines
125039	1879	Arm Oil Tube Wick for 15K80 to 15K85 Machines
125041	1879	Arm Oil Tube Wick for 15K80 to 15K85 Machines

No.	Plate	
125042	1881	Arm Shaft for 15K80 to 15K82 Machines ...
*125043	—	Bed for 15K80 to 15K85 Machines ...
125044	—	Crank Connecting Rod Oil Pad (felt) for 125021 ...
125045	1879	Feed Cam and Counterbalance with 1285c for 15K80 to 15K82 Machines ...
125046	1881	Feed Forked Connection for 15K80 to 15K82 Machines ...
125047	1879	Feed Forked Connection Slide Block for 125335 ...
125048	1880	Feed Lifting Rock Shaft Centre (left) for 15K80 to 15K85 Machines ...
125048	1880	Feed Rock Shaft Centre (left) for 15K80 to 15K85 Machines ...
125048	1880	Oscillating Rock Shaft Centre (left) for 15K80 to 15K85 Machines ...
125049	1880	Feed Lifting Rock Shaft Centre (right) for 15K80 to 15K85 Machines ...
125049	1880	Feed Rock Shaft Centre (right) for 15K80 to 15K85 Machines ...
125049	1880	Oscillating Rock Shaft Centre (right) for 15K80 to 15K85 Machines ...
125050	1879	Feed Regulator for 15K80 to 15K82 Machines
125052	1879	Needle Bar Bushing for 15K80 to 15K85 Machines ...
125055	1879	Oscillating Rock Shaft with 125056 for 15K80 to 15K85 Machines ...
125056	—	Oscillating Rock Shaft Oil Wick (braided cotton) for 125055 ...
*125057	—	Oscillating Shaft Crank for 125030, 125031, 125058 and 125059 ...
*125058	—	Oscillating Shaft Crank 125057 with 462 ^{AL 7/8} and 125330 for 125086 ...
125059	1880	Oscillating Shaft Crank 125057 with 125330 and two 462 ^{AL 7/8} for 15K80 to 15K85 Machines ...
125060	1879	Oscillating Shaft Crank Slide Block Stud for 125330 ...
125061	1879	Presser Bar for 15K80 to 15K85 Machines ...
*125062	—	Shuttle Driver for 125063 and 125092 ...
125063	—	Oscillating Shaft 2510 with 2049 and 125062, for 125086 ...
125064	1880	Shuttle Driver 125092 with 125065 and two 51229c, for 15K80 to 15K85 Machines ...
125065	1880	Shuttle Driver Cushion Spring for 125064 and 125086 ...

No.	Plate	
125066	—	Bobbin Winder Bracket (belt cover) for 125071 ... (Obsolete)
125067	1882	Bobbin Winder Frame for 125071 and 125075 (Obsolete)
125068	1882	Bobbin Winder Spindle with 15072 for 125071, 125075 and 125366 ...
125069	1882	Bobbin Winder Stop Latch for 125071 and 125075 ... (Obsolete)
125070	1882	Bobbin Winder Tripping Arm for 125071 and 125075 ... (Obsolete)
125071	—	Bobbin Winder (Automatic) complete, Nos. 190b, 15287, 15288, 50464b, 50466b, 66601, 66610 and 125066 to 125070 for 15K82 and 15K85 Machines (Obsolete, use 125327)
125072	—	Needle Bar Bushing Oil Pad (felt) for 15K80 to 15K85 Machines ...
125074	—	Bobbin Winder Bracket (belt cover) for 125075 ... (Obsolete)
125075	1882	Bobbin Winder (automatic), complete, Nos. 190b, 15287, 15288, 50464b, 50466b, 66601, 66610, 125067 to 125070 and 125074 for 15K80, 15K81, 15K83 and 15K84 Machines (Obsolete, use 125327)
125077	1881	Needle Bar for 15K24 to 15K27 and 15K70 to 15K73 Machines ...
125079	1879	Needle Bar for 15K80 to 15K85 Machines ...
125080	2002	Shuttle Race Back Spring for 2528 ...
*125086	—	Oscillating Shaft 125063 with 125058, 125065 and two 51229c, for 15K80 to 15K85 Machines ...
*125092	—	Shuttle Driver 125062 with two 462 ^{AL 7/8} for 125064 ...
125095	2002	Needle Bar Thread Guard for 15K24 and 15K25 Machines ...
125095b	2002	Needle Bar Thread Guard for 15K26, 15K27, 15K70 to 15K73 and 15K80 to 15K85 Machines ...
125111	2501	Feed Cam with 1285c, for 15K24 to 15K27 and 15K71 Machines ...

No.	Plate	
†125324	1955	Bobbin Winder Bracket (belt cover) for 125327 ...
125326	1955	Bobbin Winder Tripping Arm for 125327 ...
†125327	1955	Bobbin Winder (automatic), complete, Nos. 190b, 15287, 51303b, 51319b, 66601, 9/4 125462 46775, 125324, 125326, 125366 and 125376, for 15K80 to 15K85 Machines ...
125330	---	Oscillating Shaft Crank Slide Block 15170 with 125060, for 125058 and 125059 ...
125335	---	Feed Forked Connection Slide Block 125047 with 1085e, for 15K80 to 15K85 Machines ...
125366	---	Bobbin Winder Frame 66670 with 15288 and 125068, for 125327 ...
125376	1955	Bobbin Winder Stop Latch for 125327 ...
125395	1955	Bobbin Winder Tension Bracket for 125396
125396	---	Bobbin Winder Tension Bracket, complete, Nos. 45845 to 45847, 125395 and 140138b, for 15K80 to 15K85 Machines ...
125422	2501	Face Plate Thread Guard for 125423 ...
125422b	2501	Face Plate Thread Guard for 125423b ...
125423	2501	Face Plate Thread Guard 125422 with 125424 for 15432p ...
125423b	2501	Face Plate Thread Guard 125422b with 125424b, for 15432b ...
125424	2501	Face Plate Thread Guard Rivet for 125423
125424b	2501	Face Plate Thread Guard Rivet for 125423b
125425b	24	Arm Side Cover for 15K3, 15K4, 15K26, 15K27, 15K70 to 15K73 and 15K80 to 15K85 Machines ...

125462 9/4 Bobbin Winder Stop Latch Spring for 125327

† In ordering, it is necessary to state class of machine.

No.	Plate	
140138b	1955	Bobbin Winder Tension Screw for 125396 ...

140347w Presser Foot Adjusting Thumb Screw for 121877

140511al 55 Thread Take-up Cam Timing Screw for