

SINGER
16W11

Instructions for Ordering

In ordering from this list, use **ONLY** the **PART** number in the **FIRST** column.

The number stamped on a Sewing Machine Part is the number of the Single Part only, except when the part includes Set Screws, Clamping Screws, Studs and Rollers Spun on, Small Wires riveted, or Parts soldered together, etc., which it is necessary to furnish in combination.

Every combination of parts sent out has its specific number which, although not stamped on Parts (except in above case), must be used when ordering the combination.

Each number always indicates the **SAME PART** in whatever list it appears, or for whatever Machine.

The letters after some of the numbers indicate the style of finish only, as follows:

- A. Hardened, Polished and Plated.
- B. Polished and Plated.
- C. Hardened only.
- D. Polished only.
- E. Soft, not polished.
- F. Hardened and Polished.
- H. Blued.
- J. Nickle Plated only
- R. Merlized.
- Y. Black Nickle Plated only.

These letters **MUST BE USED** when they appear in the list and **AFTER** the number, as in the list.

In this series

- 200001 to 201500 and 350001 to 351500 are Screw Numbers.
- 201501 to 201800 and 351501 to 351800 are Nut Numbers.
- 201801 to 202000 and 350801 to 352000 are Roller Numbers.
- 202001 to 350000 are Numbers of Machine Parts.

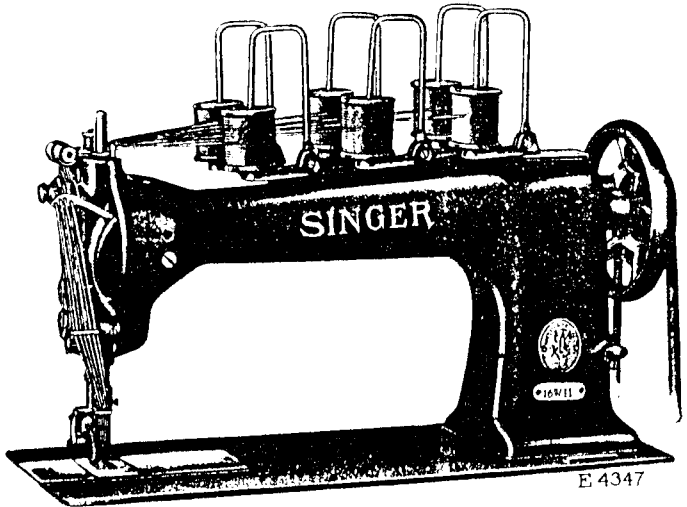
The figures in the second column refer only to the plate in which the illustration of the part is shown and are **NOT TO BE USED** in ordering.

Two or more numbers over a cut indicate that the difference between such parts is not visible in an illustration.

Parts marked with an asterisk (*) are furnished only when repairs are made at the factory.

LIST OF PARTS COMPLETE

FOR



MACHINE No. 16w11

SIX NEEDLES. DROP FEED. ROLLER PRESSER

For Ornamental Stitching on Shoe Uppers

No.	Plate	Name
*204528	—	Arm with 200439c, 202036 and 204705
204163	12671	Arm Cap
200278H	12311	" " Screw
202248	12686	" " " Washer
204235	12671	" Position Pin (2)
200963E	12311	" Screw (3)
202005	12671	" " Washer (3)
204291	12688	" Shaft
204705	12670	" " Bushing (front)
200439C	12311	" " " Position Screw ..
204165	12670	" " Connection with four 200054E (2)
200054E	12686	Arm Shaft Connection Screw
204174	12688	Balance Wheel, 5½ in. diam. (belt groove 2¾ in. diam.), with 200328c and 200335c

Parts for Machine No. 16w11

No.	Plate	Name
202305	12686	Feed Lifting Rock Shaft Center (2)
200043c	12311	" " " " " Set Screw (2)
204204	12671	Feed Lifting Rock Shaft Slide Block
201343d	12671	" " " " " " Hinge Screw
204264	12689	Feed Lifting Rock Shaft Slide Block Position Pin
204206	12306	Feed Regulating Handle
204207	—	" " " 204206 with 200098F, 202622, 204208 to 204210, 204213 and 204925
204208	10438	Feed Regulating Handle Adjustable Stop
200098F	10438	Feed Regulating Handle Adjustable Stop Screw
204925	12306	Feed Regulating Handle Adjustable Stop Screw Washer
204209	10438	Feed Regulating Handle Position Pin
204210	10438	Feed Regulating Handle Shaft
204211	10438	" " " " Crank with 200098F
204212	10438	Feed Regulating Handle Shaft Crank Link
200271E	10438	Feed Regulating Handle Shaft Crank Link Hinge Screw (lower)
200291E	10438	Feed Regulating Handle Shaft Crank Link Hinge Screw (upper)
200098F	10438	Feed Regulating Handle Shaft Crank Set Screw
204213	10438	Feed Regulating Handle Shaft Sleeve (split)
200362c	12311	Feed Regulating Handle Shaft Sleeve Set Screw
202622	10438	Feed Regulating Handle Shaft Sleeve Washer
202036	10438	Feed Regulating Handle Stop Pin
204214	—	Feed Regulating Handle complete, Nos. 200291E, 204207, 204211 and 204212
204935	12672	Hook (sewing) with 204217
204217	12689	" Bobbin Case Stud
204936	12672	" Bracket with 200379c, two 200380c and three 204234
204937	—	Hook Bracket 204936 with 204941
206087	—	" " 204937 with 204224, 204225, 204232, 204539, two each 204223 and 204233

Parts for Machine No. 16w11

No.	Plate	Name
200379c	12689	Hook Bracket Adjusting Screw (lower)
200380c	12689	Hook Bracket Adjusting Screw (upper)
204539	12689	Hook Bracket Bobbin Case Stop (hinged)
204223	12689	Hook Bracket Bobbin Case Stop Hinge Pin
204224	12689	Hook Bracket Bobbin Case Stop Latch
204223	12689	Hook Bracket Bobbin Case Stop Latch Hinge Pin
204225	12689	Hook Bracket Bobbin Case Stop Latch Spring
200085c	12672	Hook Bracket Screw (lower or upper)
206086	—	Hook Bracket complete, Nos. 204935 and 206087
204940	12689	Hook Driver with 204242 and 204243
204885	10669	" " Bevel Gear, 25 teeth, with two 200348c
200348c	12689	Hook Driver Bevel Gear Set Screw
208246	—	" " Crank
204240	12672	" " " 208246 with 200378c, 200662c, 201530E and two 200348c
204241	12689	Hook Driver Crank Link
200669c	12689	" " " " Stud
201530E	12689	" " " " " Nut
200348c	12689	" " " Set Screw (long)
200378c	12311	" " " " " (short)
200662c	12689	" " " Stud
201530E	12689	" " " " Nut
204243	12689	" " Pin
204242	12689	" " Washer
204887	10669	" Driving Bevel Gear, 24 teeth (intermediate)
204888	12690	Hook Driving Bevel Gear (interme- diate) Bracket
206078	10669	Hook Driving Bevel Gear (interme- diate) Bracket 204888 with 200772c, 201516E and 204887
200041E	10669	Hook Driving Bevel Gear (interme- diate) Bracket Screw (2)
200772c	10669	Hook Driving Bevel Gear (interme- diate) Bracket Screw Stud
201516E	12690	Hook Driving Bevel Gear (interme- diate) Bracket Screw Stud Nut

Parts for Machine No. 16w11

No.	Plate	Name
204890	12670	Hook Driving Bevel Gear (intermediate) Oil Guard
200113F	12671	Hook Driving Bevel Gear (intermediate) Oil Guard Screw (2)
204886	10669	Hook Driving Bevel Gear Shaft, 25 teeth
204393	12690	Hook Driving Bevel Gear Shaft Bushing
204891	12688	Hook Driving Shaft
204245	12670	" " " Rearing
202126	12690	" " " " Position Pin
200516E	12311	Hook Driving Shaft Bearing Screw
204246	12690	" " " Collar with two 200383c
200383c	12311	Hook Driving Shaft Collar Set Screw
204941	12675	Hook Race, .156 in. thick, 1.906 in. diameter
204232	12675	Hook Race Cap (steel)
204230	12690	" " " Spring
204233	—	" " " " 204230 with 200802E
200802E	12690	Hook Race Cap Spring Screw
204234	12690	" " Position Pin
208490	12687	Knee Lifter Connection Lever
227312	—	" " " 208490 with 227303, 227308 and two 200262H
200262H	12306	Knee Lifter Connection Lever Hinge Screw
227308	12687	Knee Lifter Connection Lever Lifting Rod with 202302
202302	12306	Knee Lifter Connection Lever Lifting Rod Cotter Pin
227303	12687	Knee Lifter Lifting Lever
200262H	12306	" " " " Hinge Screw
204862	12687	Needle Bar (hollow)
204248	12690	" " Connecting Link
200658c	12690	" " " " Hinge Screw Stud
201519E	12690	Needle Bar Connecting Link Hinge Screw Stud Nut
204249	12690	Needle Bar Connecting Stud with 200072c and 202277
202277	—	Needle Bar Connecting Stud Oil Packing (wick)

Parts for Machine No. 16w11

No.	Plate	Name
200072c	12690	Needle Bar Connecting Stud Pinch Screw
204326	—	Needle Bar Packing Cord (2)
200504E	12690	" " Screw Bushing (lower)
200503B	12690	" " " " (upper)
207764	12690	" Holder (for six needles) with 200068H, 200130F and two 350101H
200068H	12690	Needle Holder Screw
200130F	12690	" Set Screw
350101H	12690	" " "
204252	10441	Presser Bar Lifter
200550c	12311	" " " Hinge Screw
204253	10441	" " Lifting Bracket with 200086c
200086c	10441	Presser Bar Lifting Bracket Pinch Screw
204254	10441	Presser Bar Lifting Bracket Position Guide
200362c	12311	Presser Bar Lifting Bracket Position Guide Set Screw
204327	12306	Presser Bar Packing Washer (felt)
200504E	12690	" " Screw Bushing (lower)
204258	12690	" " Spring
200491H	10441	" " Thumb Screw (pressure regulating)
201906	12691	Roller Presser, 1½ in. diam., 1⅜ in. face (fine), with 200548c and 201534H
202839	12691	Roller Presser Arm
204567	—	" " " 202839 with 201906
202560	12691	Roller Presser Arm Bracket (swing)
200675F	12691	" " " " Position Screw Stud
202558	12691	Roller Presser Arm Bracket Spring
229370	12691	" " " " " " Stop and Back Needle Guard Holder
229371	—	Roller Presser Arm Bracket Spring Stop and Back Needle Guard Holder 229370 with 200350H, 201317F and 226220
200350H	12691	Roller Presser Arm Bracket Spring Stop and Back Needle Guard Holder Adjusting Screw
200141F	12691	Roller Presser Arm Bracket Spring Stop and Back Needle Guard Holder Set Screw

Parts for Machine No. 16w11

No.	Plate	Name
200077D	12691	Roller Presser Arm Screw
229744	12691	" " " Shim, $\frac{1}{8}$ in. thick
✓ 229745	12691	Roller Presser Arm Shim, $\frac{1}{8}$ in. thick
202760	12691	Roller Presser Arm Shim, $\frac{1}{8}$ in. thick
204495	12687	Roller Presser Bar
200548C	12691	" " Hinge Screw
201534H	12691	" " " " Nut
207773	12691	" " Needle Guard (back)
201317F	12691	" " " " " "
		Clamp Screw
226220	12691	Roller Presser Needle Guard (back) Clamp Screw Washer
207774	12687	Roller Presser and Bar complete, Nos. 200077D, 200675F, 202558, 202560, 202760, 204495, 204567, 207773, 229371, 229744, 229745 and two 200141F
202068	12687	Spool Holder Base
207765	—	" " " Bracket
200257D	12691	" " " " Screw ..
207766	12688	Spool Holder Base Bracket com- plete, Nos. 207765, six each 200575H and 204297
200575H	12311	Spool Holder Base Screw
204296	12687	" " Wire
200079H	12311	" " " Hinge Screw ...
204297	12687	Spool Holder complete, Nos. 200079H, 202068 and 204296
204384	—	Take-up Cam with 200335c, 200383c and 200430c
203172	12691	Take-up Cam Friction Washer
200430c	12311	" " Position Screw
200383c	12311	" " " " Check Screw
200335c	12311	Take-up Cam Set Screw
204380	12670	Take-up Cam complete, Nos. 200658c, 201519E and 204384
207775	12691	Take-up Lever
✓ 207776	—	" " 207775 with 204263 ..
204263	12691	" " Bearing with 204264 ..
204264	12689	" " " Position Pin..
200042F	12311	" " " Screw
201816	12691	" " Roller
207777	—	Take-up Lever complete, Nos. 200042F, 201816 and 207776

Parts for Machine No. 16w11

No.	Plate	Name
244048	12309	Tension Disc
204973	12692	" " (middle)
202090	12692	" " Position Pin
204555	12692	" Release Lever
200309E	12692	" " " Screw
202149	12692	" " Plunger
208489	12692	" " Slide
206608	12692	" " " Spring
202407	10881	" Spring
200632B	12309	" Stud
200397H	12686	" " Set Screw
201572R	10881	" Thumb Nut
204271	12309	" Washer
207735	12692	Tension complete (for three threads), Nos. 200632B, 201572R, 202149, 202407, 204271, two each 204973 and 244048
204273	12692	Thread Controller Adjusting Collar with 200684H (for Presser Bar)..
200684H	12692	Thread Controller Adjusting Collar Screw
204274	12309	Thread Controller Plate
200577H	12311	" " " Screw
202098	12309	" " Roller
204275	12309	" " " Guard
202084	12309	" " " " Washer
200300c	12309	" " " Screw
204276	12309	" " Spring
204333	12309	" " " Guard
200581H	12309	" " " " Screw..
204277	12309	" " " Stop
204278	12309	" " " " Driving Gear
200319c	12309	Thread Controller Spring Stop Driving Gear Hinge Screw
200135E	12309	Thread Controller Spring Stop Screw
204279	12309	Thread Controller Spring Stud with 204925
200366H	12309	Thread Controller Spring Stud Set Screw
204925	12306	Thread Controller Spring Stud Washer
205987	12309	Thread Controller complete, Nos. 200300c, 200581H, 202084, 202098, 204274, 204275 and 204333
204280	12309	Thread Controller and Spring com- plete, Nos. 204276 and 205987

Parts for Machine No. 16w11

No.	Plate	Name
207770	12692	Thread Guide
207771	12692	" "
204329	—	" Oiler (felt)
204330	12692	" " Bracket with 204329 ..
200113F	12671	" " " Screw
204975	12692	" Retainer Disc
202092	12309	" " Spring
350135E	12692	" " Stud
200368H	12309	" " " Set Screw
201574D	12692	" " " Thumb Nut
207772	12692	Thread Retainer complete (for six threads), Nos. 201574D, 202092, 350135E and twelve 204975
207409	12686	Throat Plate, 50 needle hole, for needle sizes 14 and 15
203376	12692	Throat Plate Position Pin
200577H	12311	" " Screw

ACCESSORIES

No.	Plate	Name
204178	12672	Bobbin (5)
*225482	—	" Case Screw Driver Blade ...
*225483	—	" " " " Handle ...
225497	14383	Bobbin Case Screw Driver com- plete, Nos. 225482 and 225483 ...
225487	12690	Roller Presser Hinge Screw Nut Wrench
131 x 13	—	Needles, twelve, size 12
228218	—	Drip Pan with four 1 in. wire nails
41400	14383	Machine Rest Pin (wood), 3½ in. long
120342	14383	Oiler (copper plated) with 120343
120343	14383	" Spout, 3½ in. long
*225484	—	Screw Driver Blade
*225485	—	" " Handle
225498	14383	Screw Driver complete (7¼ in. long), Nos. 225484 and 225485 ..
225554	14383	Wrench (steel)

BOBBIN WINDER

Swing Automatic, Right Hand

225453	10884	Frame with 202277 and 225438
225454	10884	" Hinge Pin
202277	—	" Oil Packing (wick)
225438	10884	" " Well Cap
225455	10884	" Spring
225456	10884	" " Plunger
202473	10885	Pulley with 200380c
200380c	12689	" Set Screw
225381	10884	Spindle
225444	10884	Stop Latch
200056E	10884	" " Screw
225458	10884	" " Thumb Lever
225459	10884	" " " Hinge Stud
225459	10884	" " " Joint Stud
202478	10884	" " Trip Lever
200299H	10884	" " " " Hinge Screw
225461	10881	Tension Bracket with 201499B
200082D	10881	" " Screw
228026	10884	" " " Washer
2102	10881	" Disc

Accessories

No.	Plate	Name
202407	10881	Tension Spring
201499 _n	10881	" Stud
201572 _B	10881	" " Thumb Nut
225462	10881	Bobbin Winder Tension Bracket complete, Nos. 201572 _n , 202407, 225461 and two 2102
225433	10885	Bobbin Winder and Tension Bracket Base
225382	10885	Universal Bobbin Winder complete, Nos. 200056 _E , 200082 _D , 200299 _U , 202473, 202478, 225381, 225433, 225444, 225453 to 225456, 225458, 225462, 228026, two each 225459 and wood screws $\frac{3}{4}$ in., No. 12, R.H.B.

KNEE LIFTER

2763	13395	Rock Shaft
228278	13395	" " Hanger (back) with 356c
228279	—	Rock Shaft Hanger 228278 with 202452 and 228282
228280	13395	Rock Shaft Hanger (front) with two 356c
228281	—	Rock Shaft Hanger 228280 with 202452 and 228282
228282	13395	Rock Shaft Hanger Bracket with two wood screws $\frac{1}{4}$ in., No. 12 ..
202452	12690	Rock Shaft Hanger Hinge Pin
202455	13395	" " Knee Arm
356c	12690	" " " " Set Screw ..
228284	13395	" " " " Plate with 356c ..
356c	12690	" " " " Set Screw ..
228283	13395	" " Lifting Lever with two 356c
227728	13395	Rock Shaft Lifting Lever Rod with 227729
227729	—	Rock Shaft Lifting Lever Rod Cap
356c	12690	" " " " " " Set Screw
356c	12690	Rock Shaft Lifting Lever Set Screw
356c	12690	" " Set Screw
228285	13395	Knee Lifter Rock Shaft complete, Nos. 2763, 202455, 227728, 228279, 228281, 228283 and 228284

(Other Knee Lifter parts are listed with
parts of machine head.)

OBSOLETE PARTS

No.	Plate	Name
202470	12320	Bobbin Winder Base
202471	12320	" " Frame
202472	12319	" " " Spring
202474	12320	" " Spindle
227522	12319	" " Stop Latch
202477	12319	" " " " Thumb Lever
227523	12320	Bobbin Winder complete, Nos. 200056 _E , 200161 _D , 200221 _D , 201537 _U , 202470 to 202474, 202477, 202478, 227522, three 200299 _U and two round head wood screws $\frac{3}{4}$ in., No. 12
202480	12320	Bobbin Winder Spool Holder Base with 200355 _U and 202484
202481	12320	Bobbin Winder Spool Holder Base Spool Pin
202482	12319	Bobbin Winder Spool Holder Ten- sion Disc (lower or upper)
202483	12319	Bobbin Winder Spool Holder Ten- sion Disc Spring (brass)
202484	12319	Bobbin Winder Spool Holder Ten- sion Disc Thread Guide
202485	12320	Bobbin Winder Spool Holder com- plete, Nos. 200011 _D , 202480, 202481, 202483, two 202482 and one wood screw 1 in., No. 13

PLATE 10438—FULL SIZE

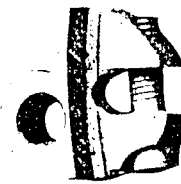
200031 200668 200271 200098



200291 202036 200078 204209



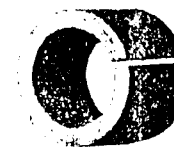
204210 204212 204194



204208



204213



202622



204211



PLATE 10441-FULL SIZE

204254



200491



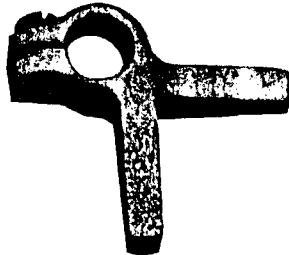
204252



200336



204253



200550



200074



200086

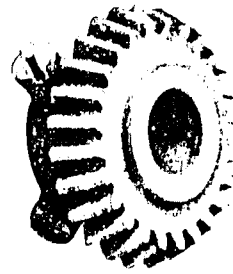


200362

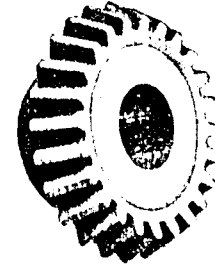


PLATE 10669-FULL SIZE

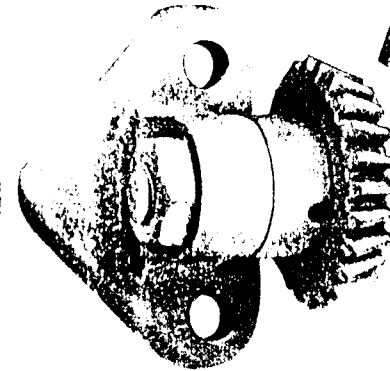
204885



204887



206078



204886



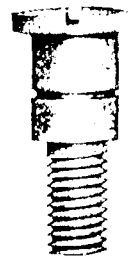
201517



201514



200772



200041



208635

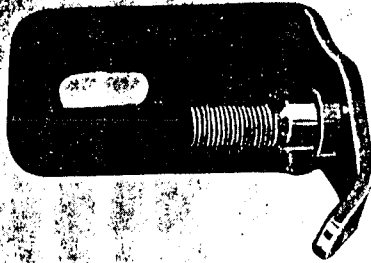


201527



PLATE 10881—FULL SIZE

225461



200082



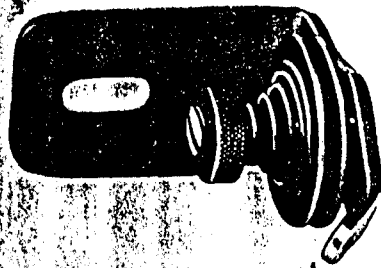
202104



2102



225462



202407



201499

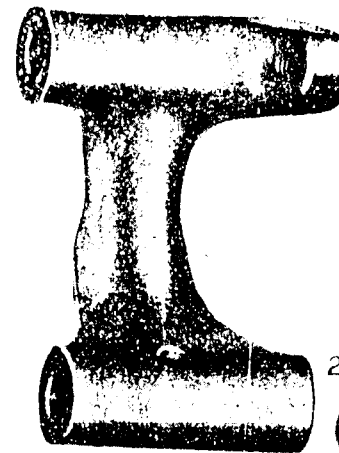


201572



PLATE 10884—FULL SIZE

225453



225444



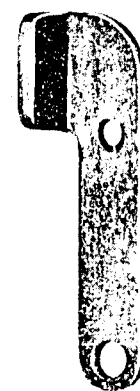
202478



228026



225458



225460



225454



200299



225438



200056



225459



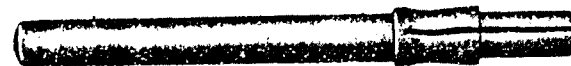
200105



225456



225381



225455

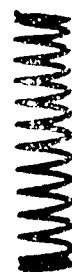


PLATE 10885—ONE-FOURTH SIZE

225433



202473



225382



PLATE 12306—FULL SIZE

204189



204925



200798



204210



202622



202446



202302



200459



204264



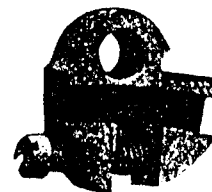
204197



200224



204194



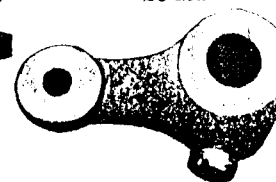
204206



200262



204211



204327



PLATE 12309 -FULL SIZE

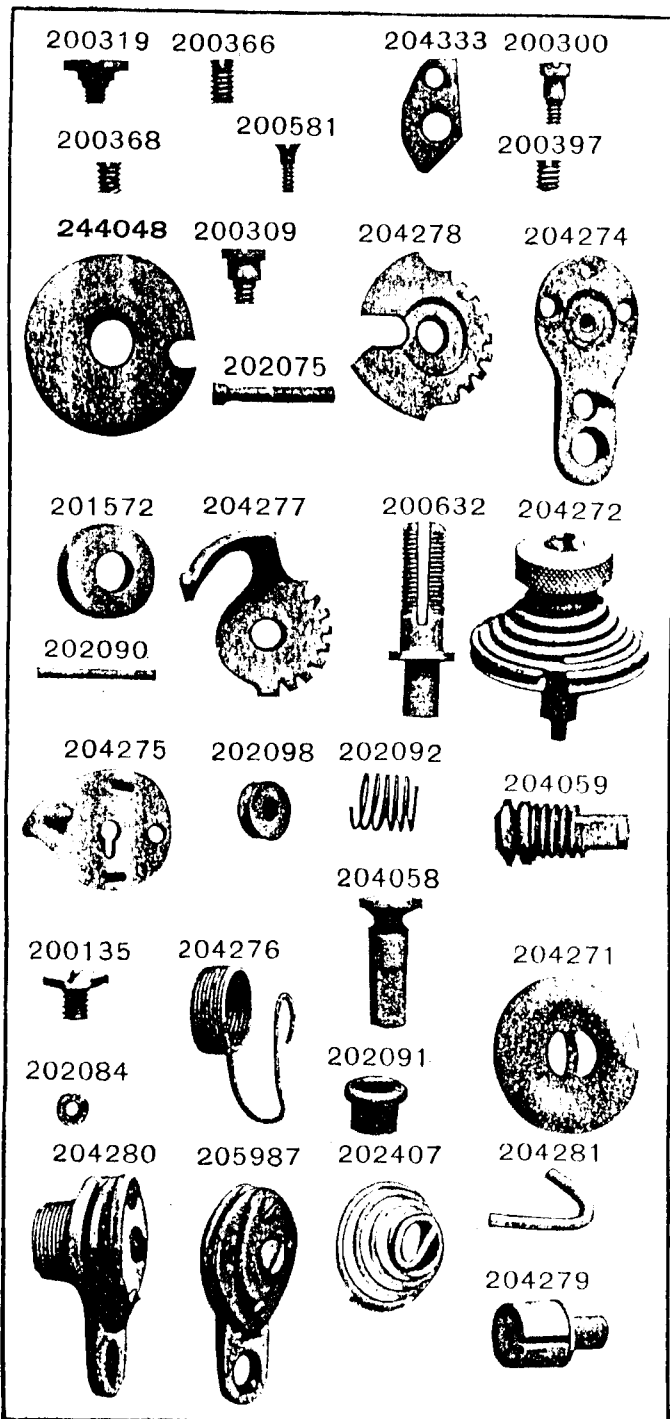


PLATE 12311 -FULL SIZE

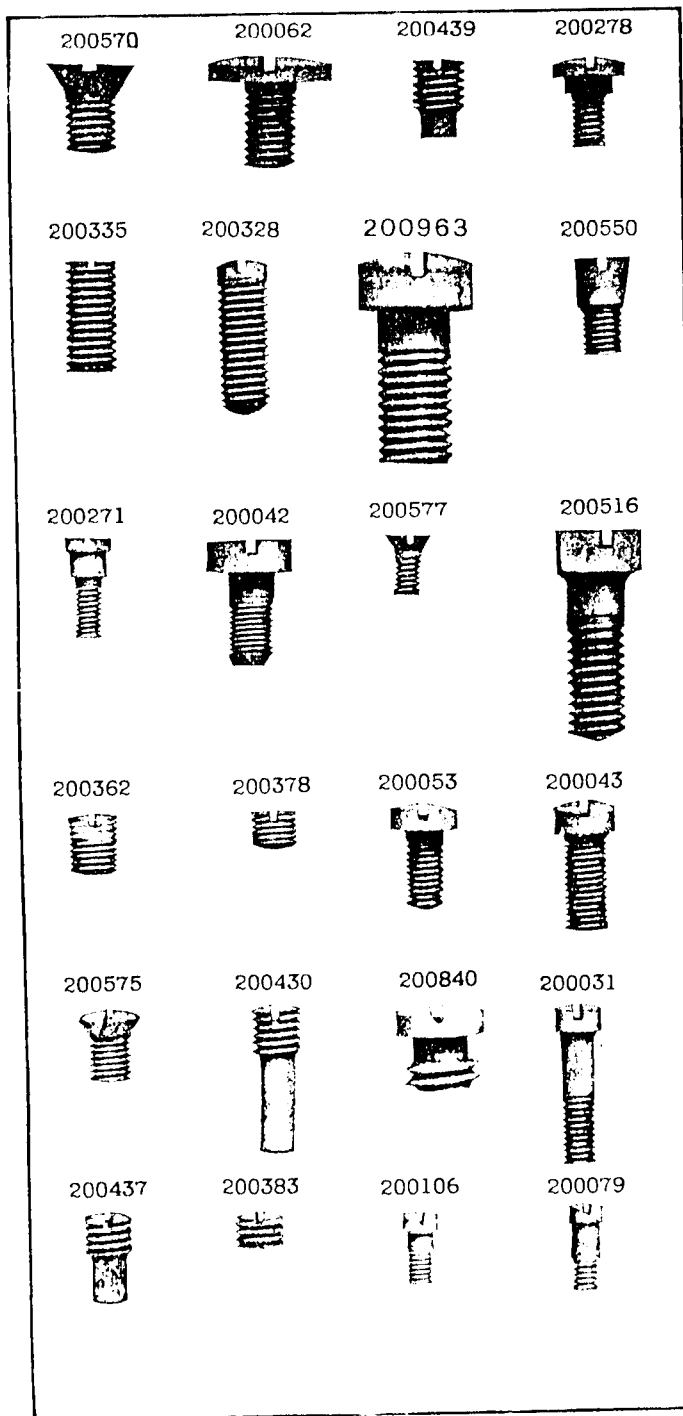


PLATE 12319 - FULL SIZE

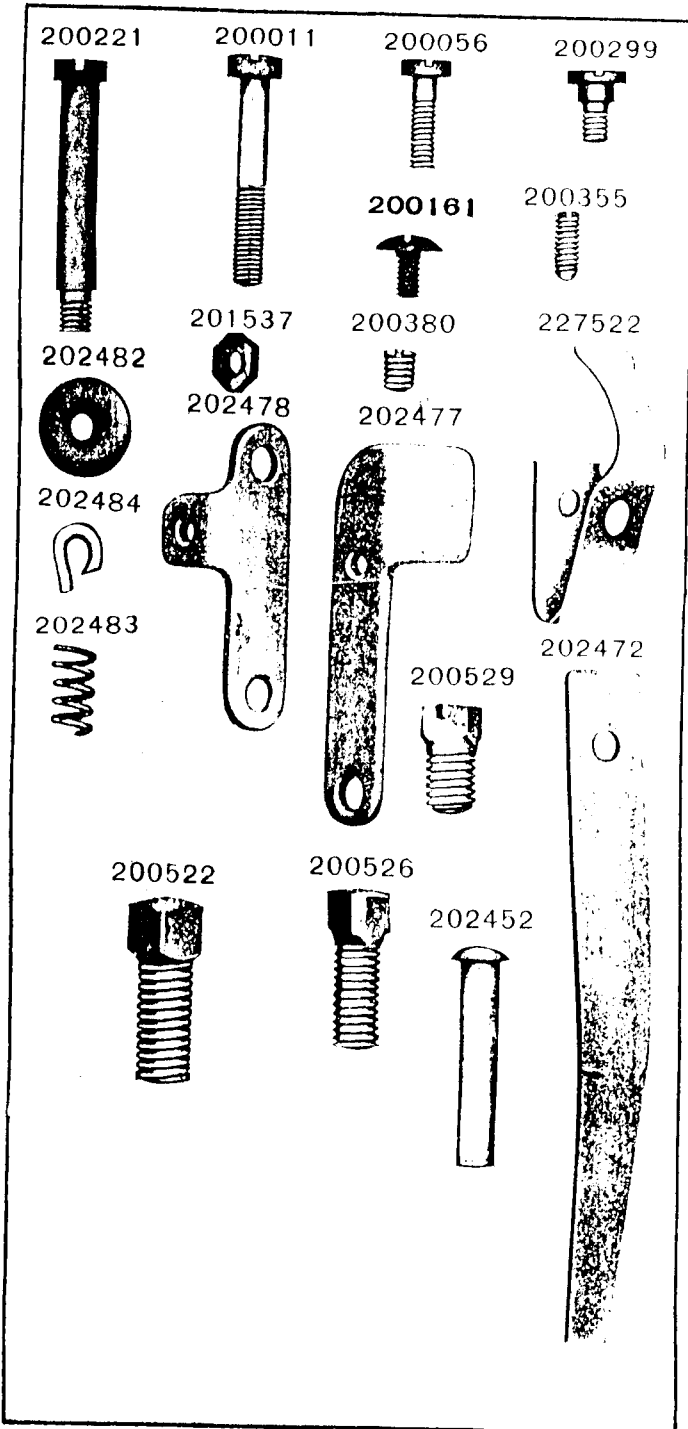


PLATE 12320 - ONE-HALF SIZE

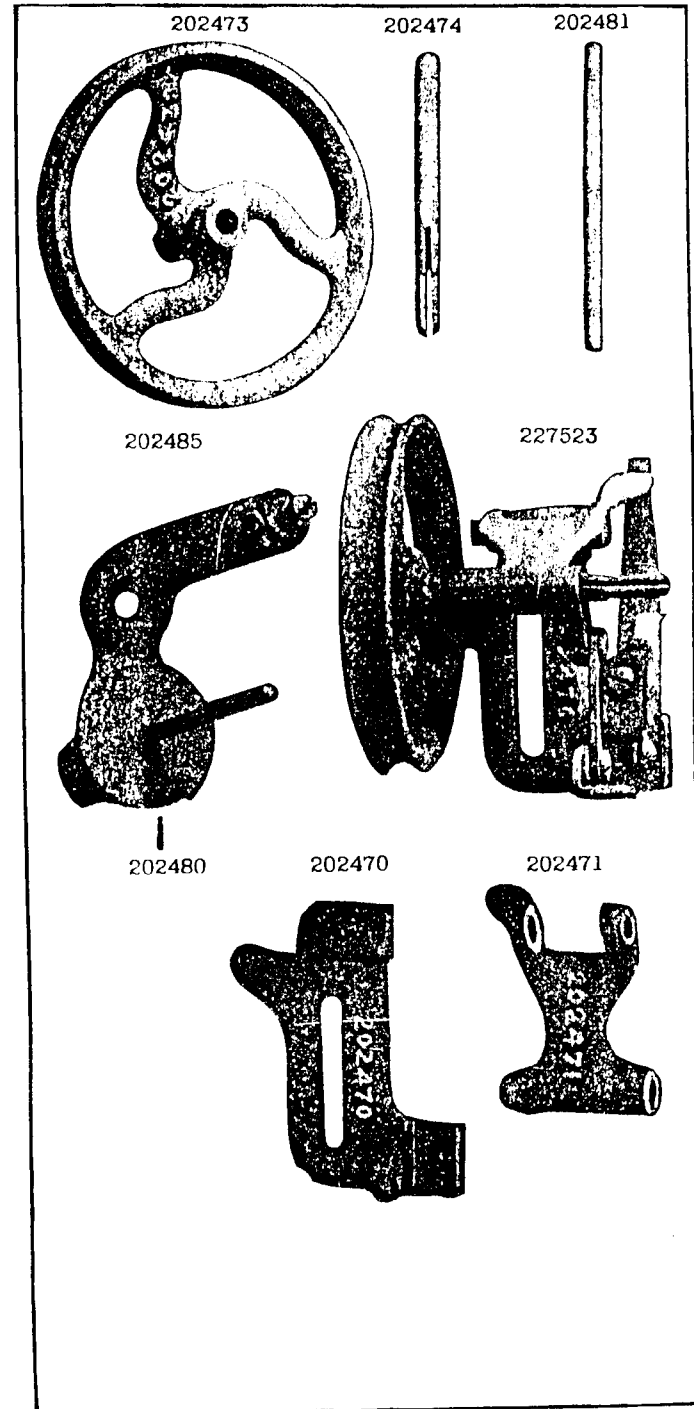


PLATE 12670-ONE-HALF SIZE

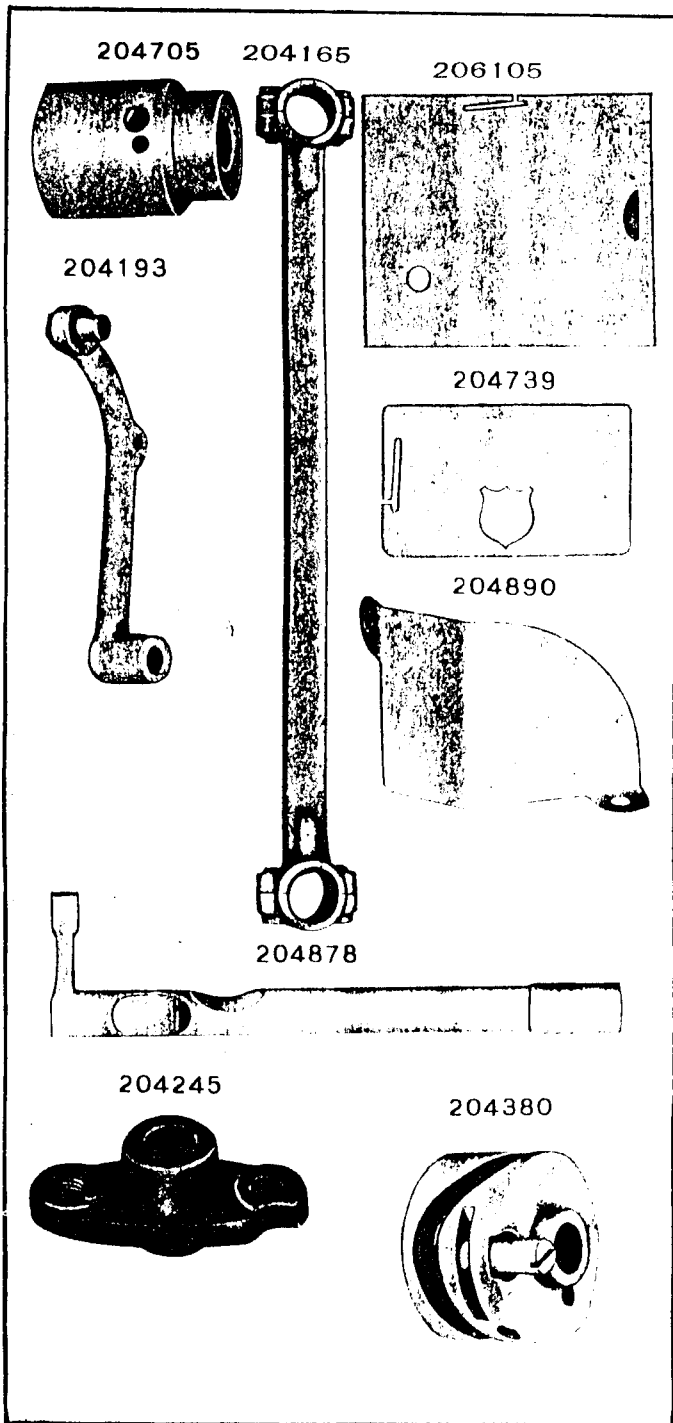


PLATE 12671-FULL SIZE

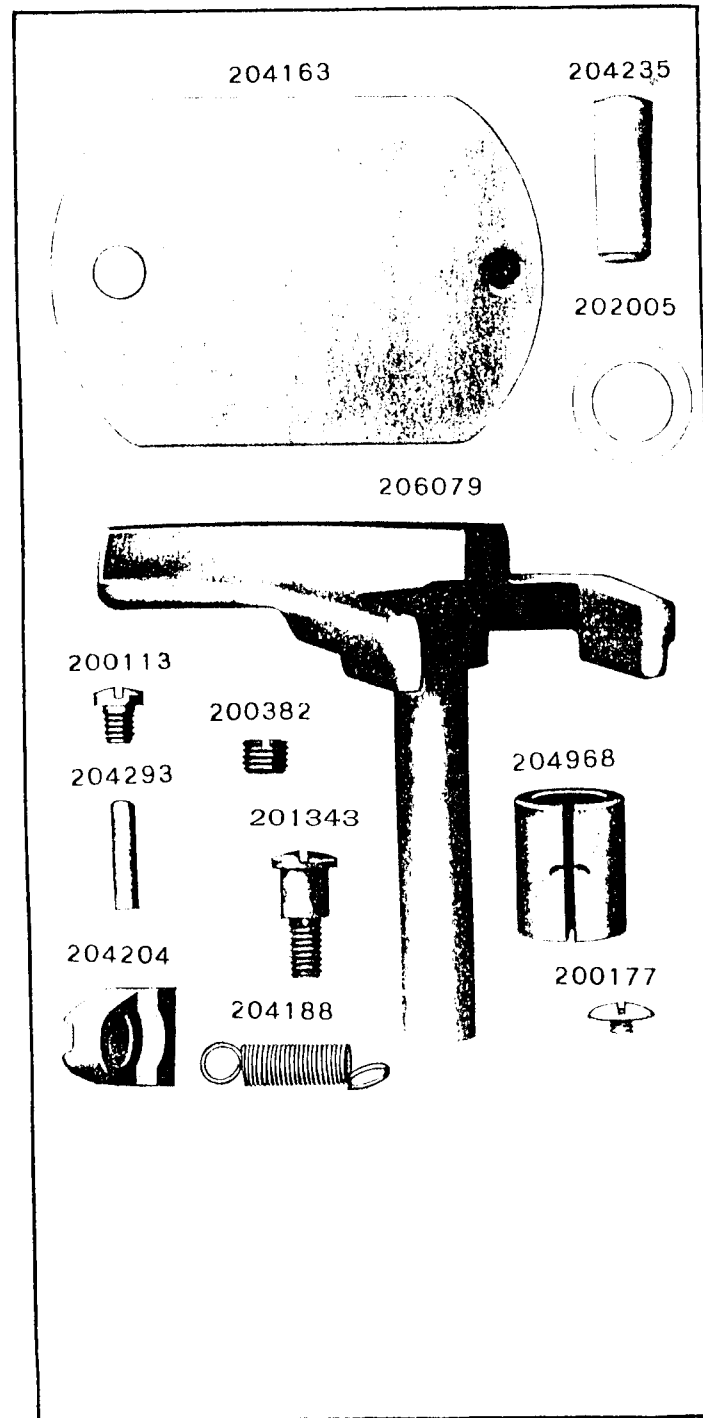


PLATE 12672 -FULL SIZE

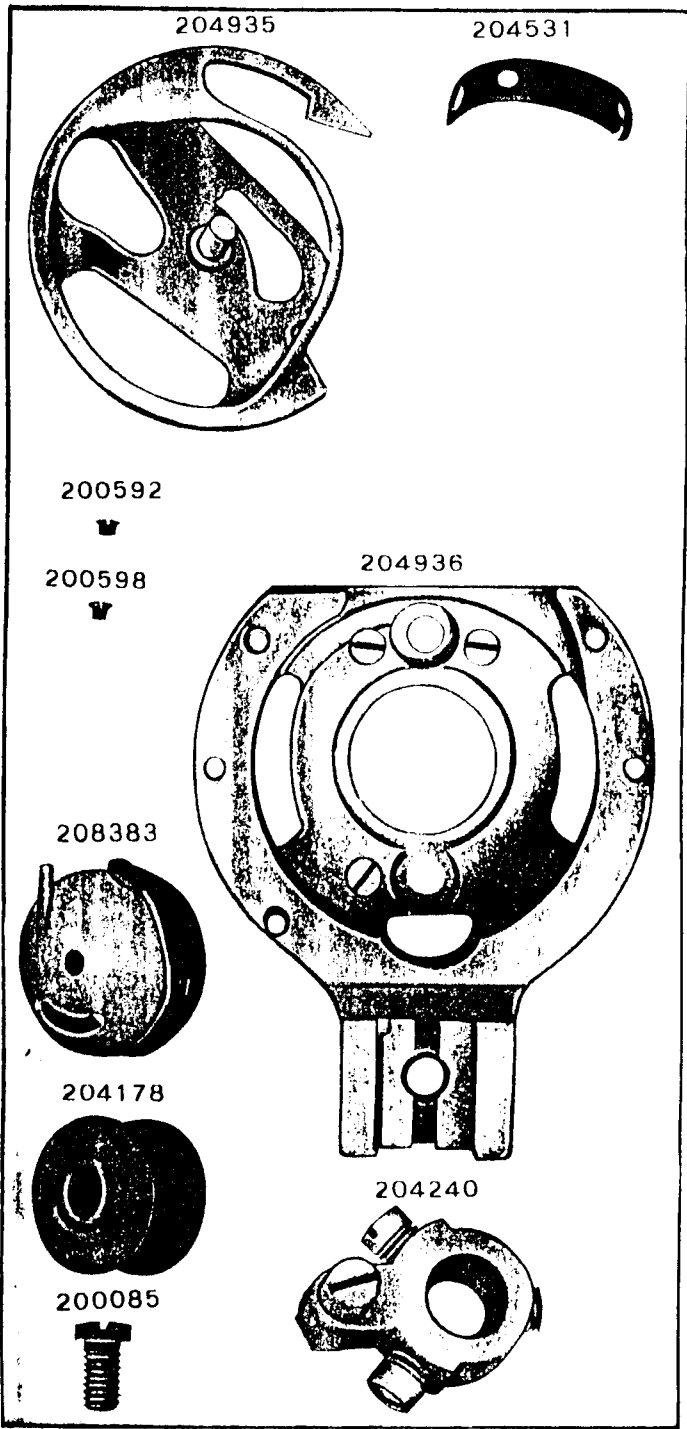


PLATE 12675 -FULL SIZE

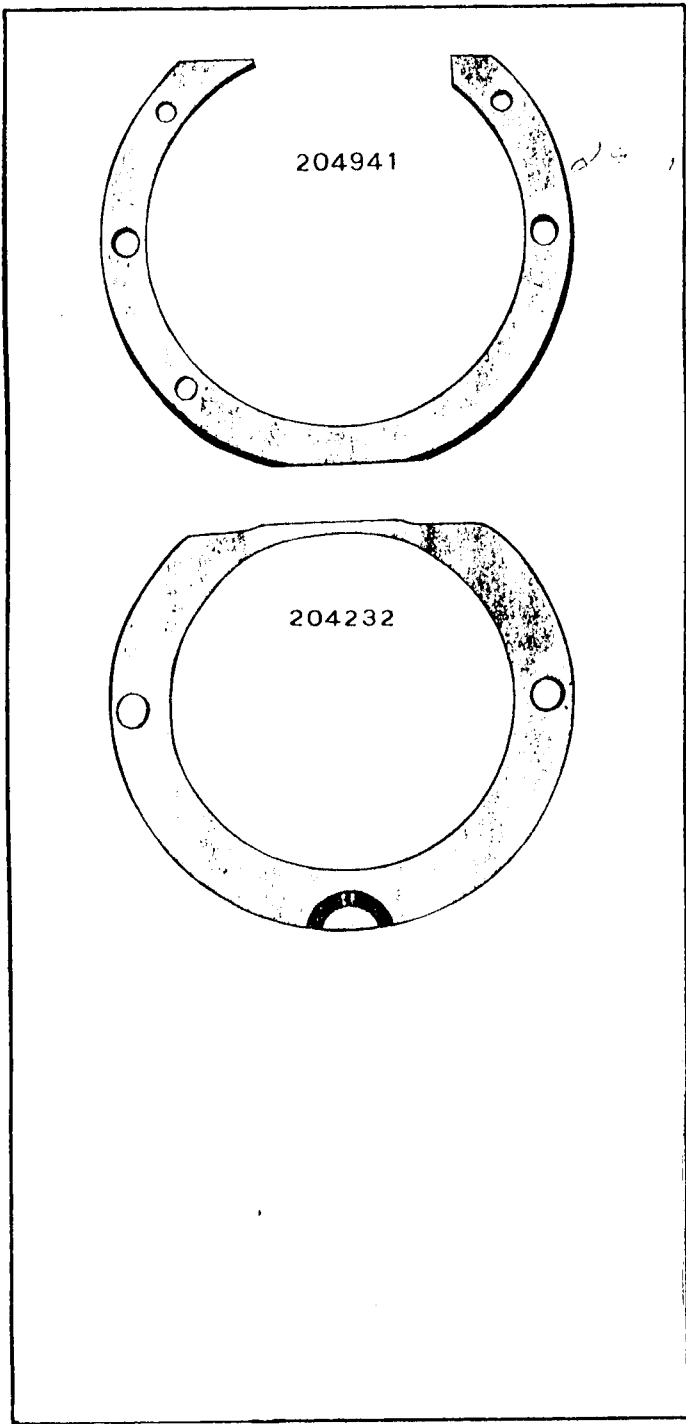


PLATE 12686—FULL SIZE

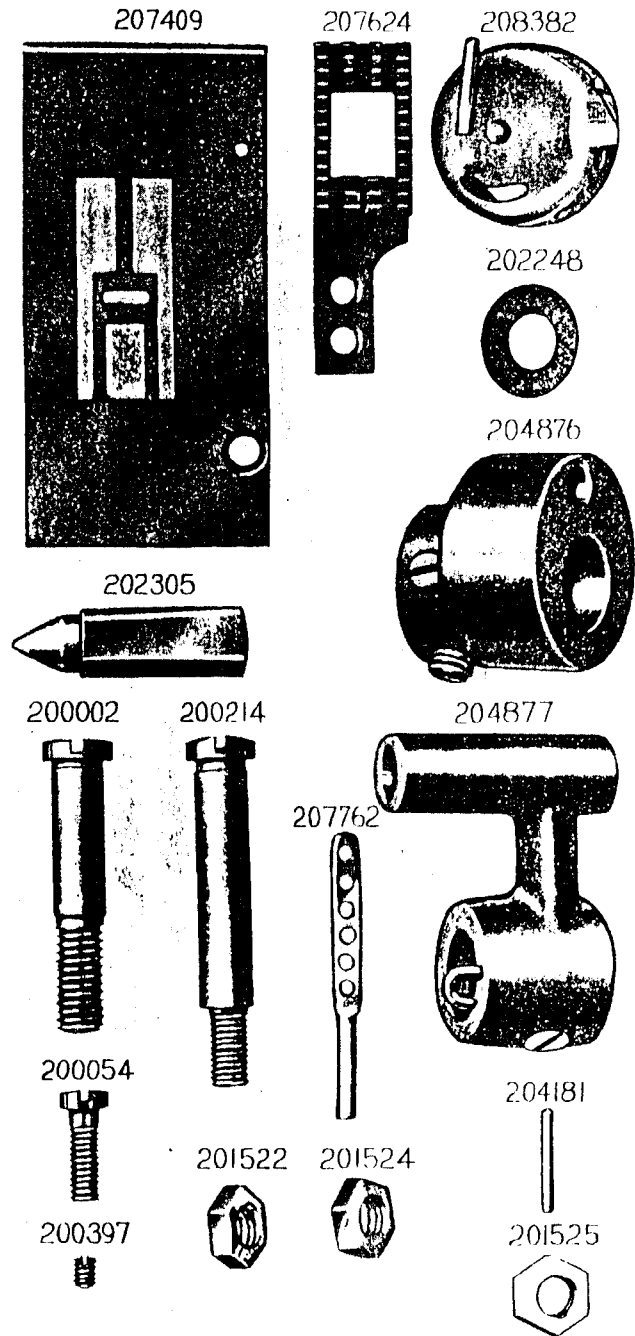


PLATE 12687—ONE-HALF SIZE

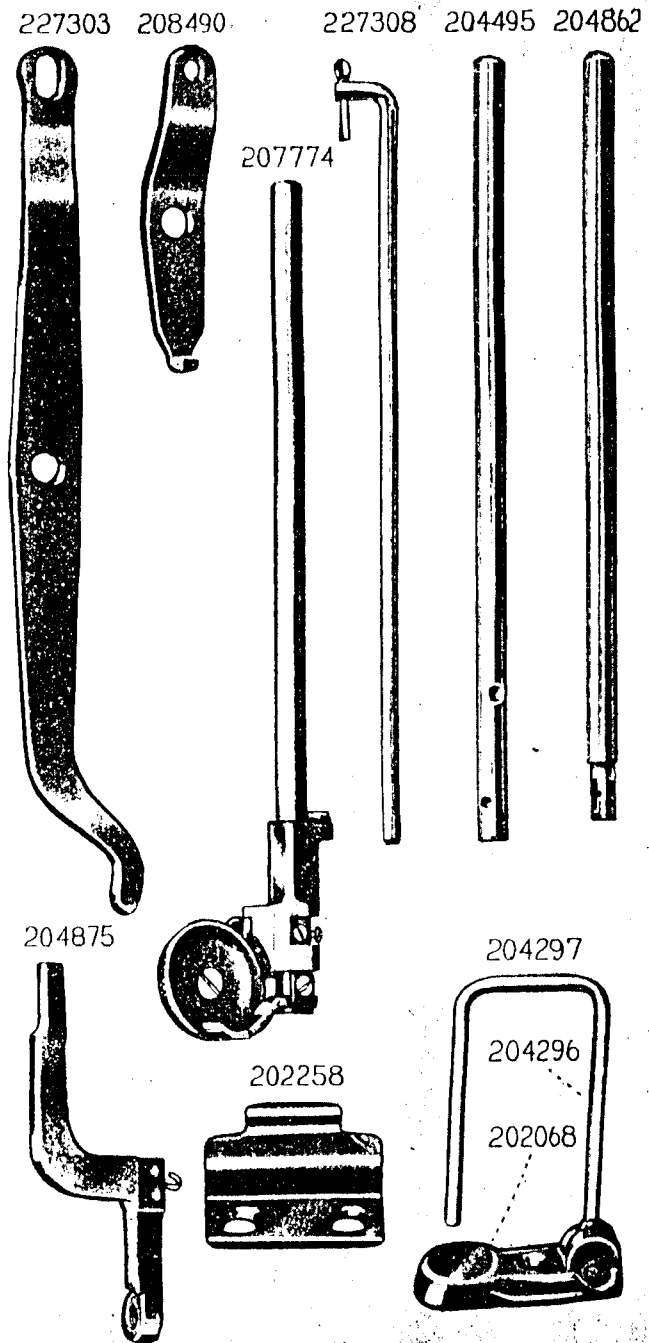


PLATE 12688—ONE-FOURTH SIZE

204291



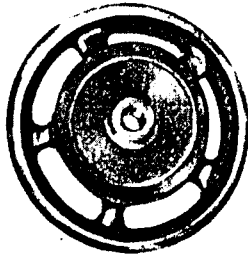
204891



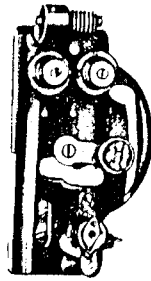
204294



204174



207763



207766

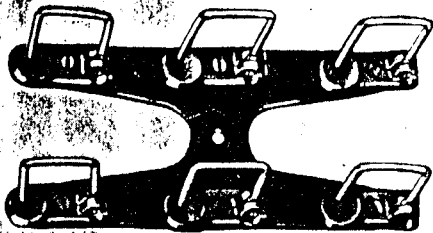
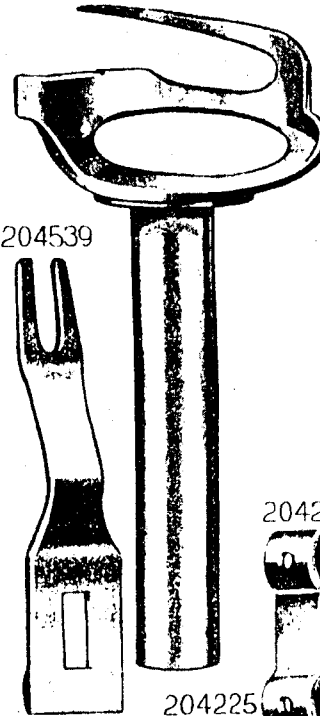


PLATE 12689—FULL SIZE

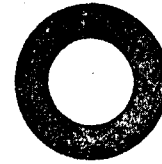
204940



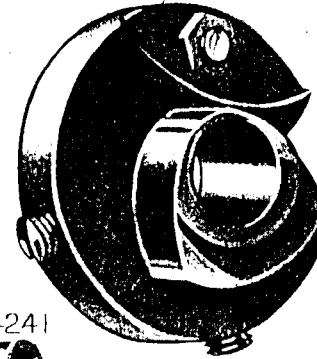
201530



204242



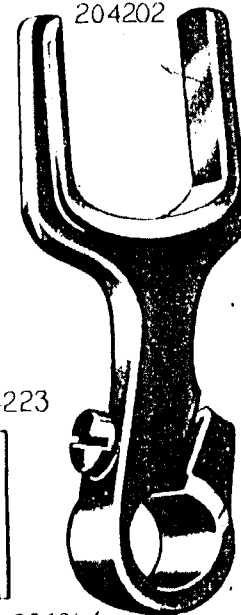
204201



204241



204202



204225

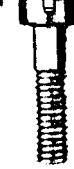
200662



204224



200027



204223



200431



200669



200348



204217



200380



204264



200379



204243



PLATE 12690—FULL SIZE

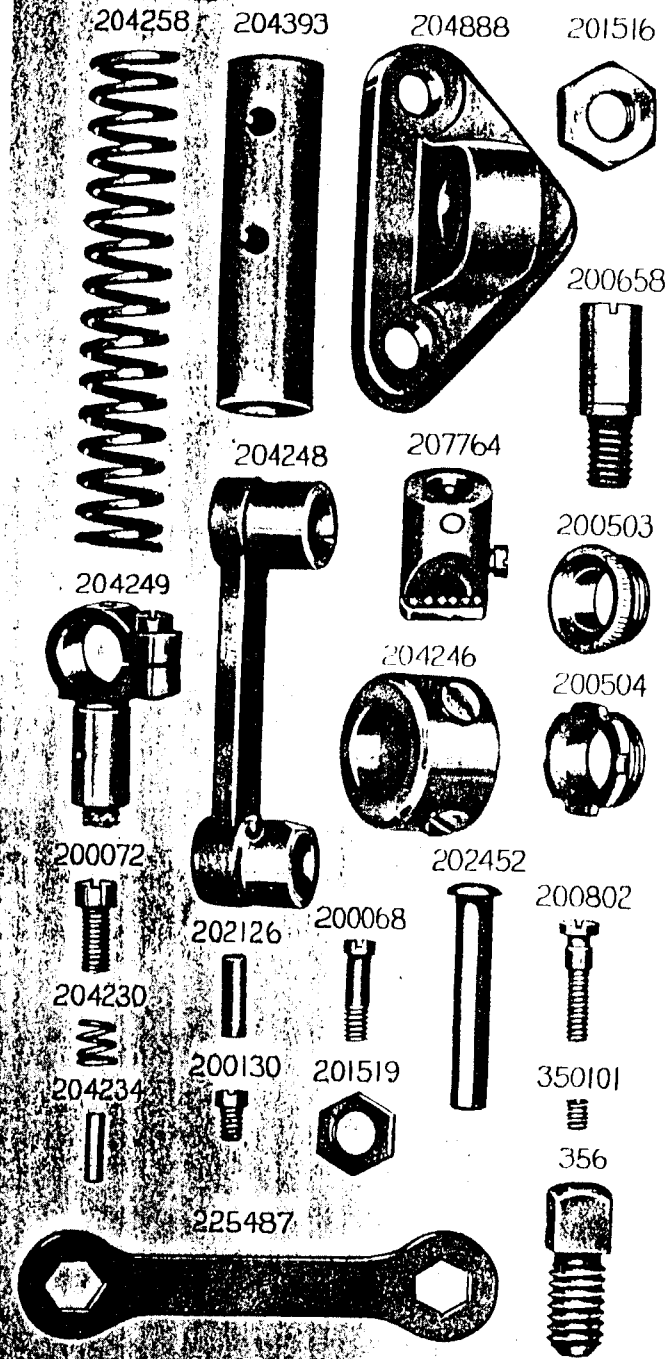


PLATE 12691—FULL SIZE

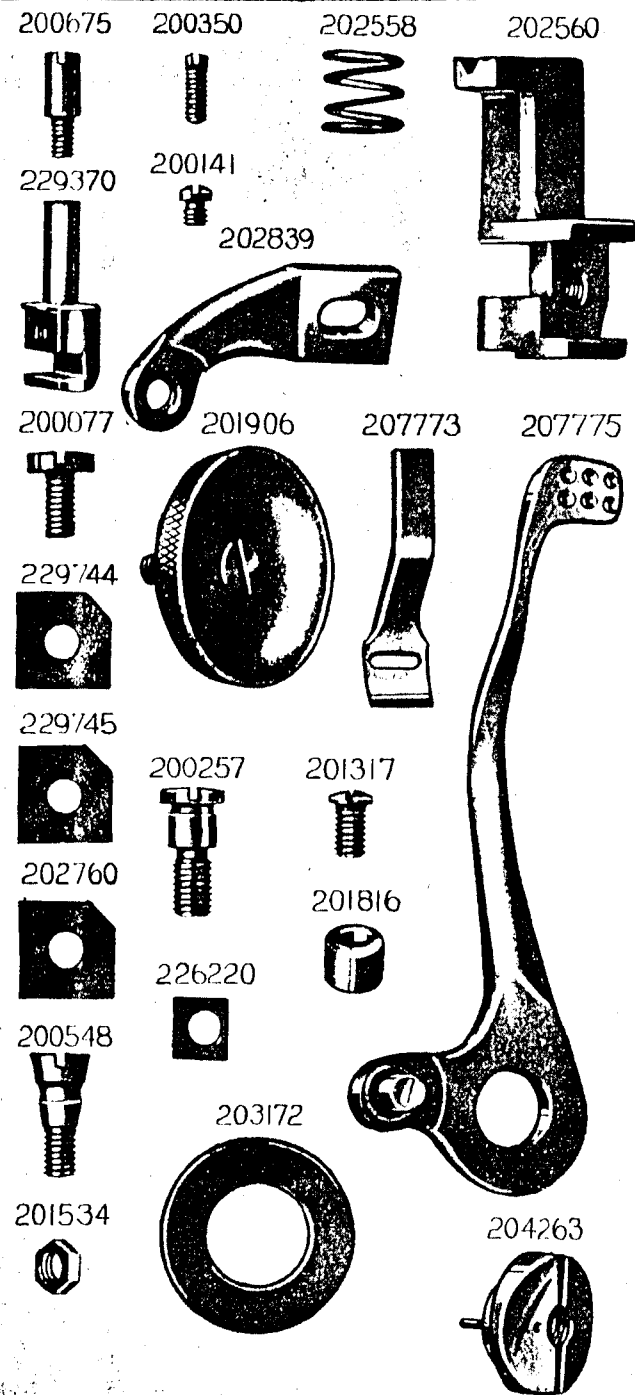


PLATE 12692—FULL SIZE

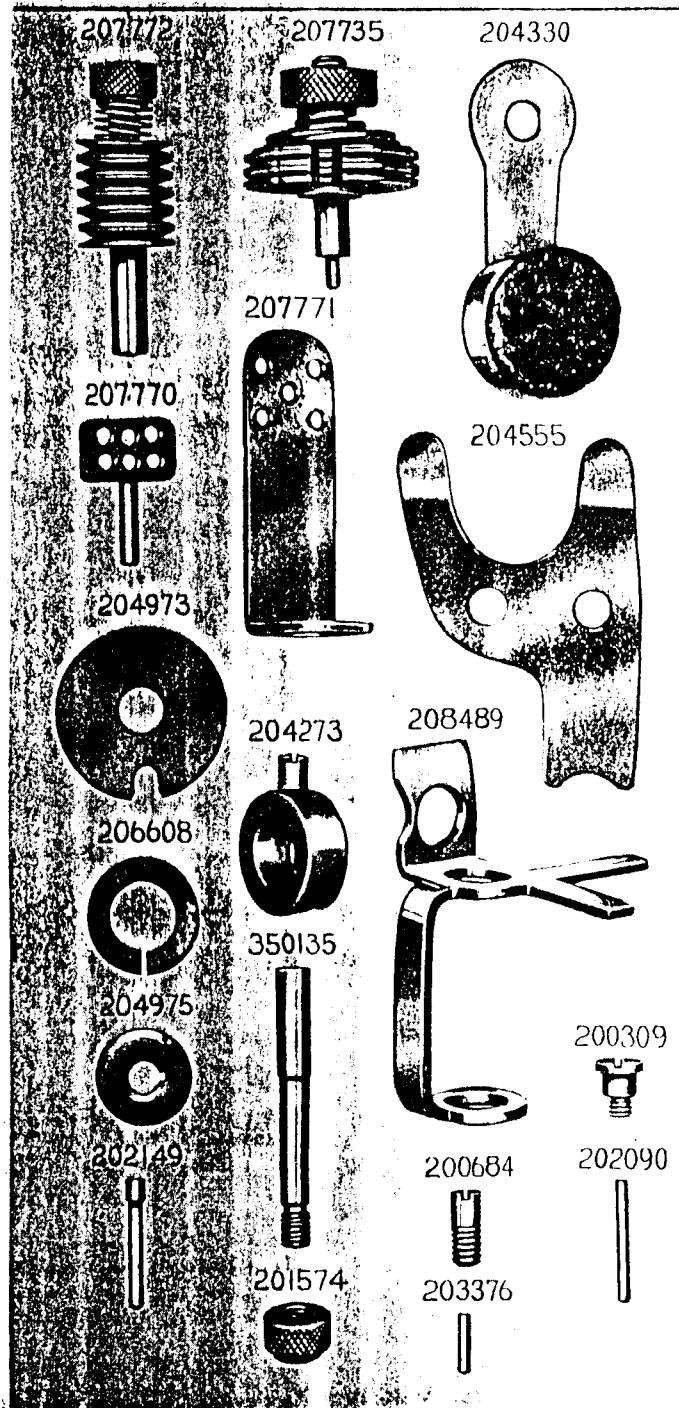


PLATE 13395—ONE-FOURTH SIZE

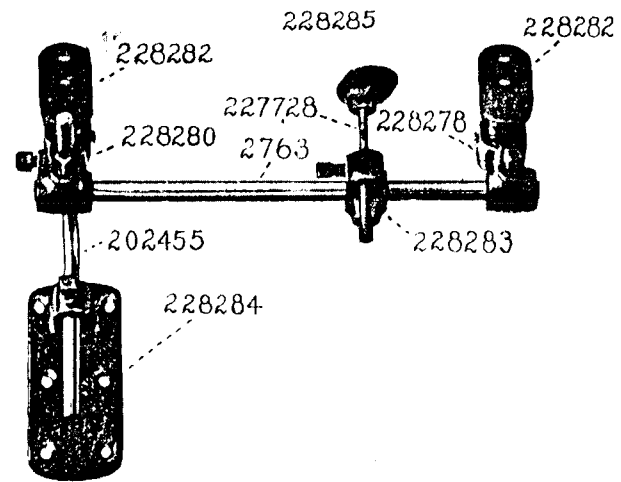


PLATE 14383—ONE-HALF SIZE

225497



225554



225498



41400



120342

120343

