

**SINGER**  
175-33,34,38,45,46

Form 19548

( 940 )

Printed in U. S. A.

# LIST OF PARTS



## MACHINES

Nos. 175-33, 175-34, 175-38,  
175-45 and 175-46

---

\*\* A TRADE MARK OF

THE SINGER MANUFACTURING COMPANY

# INSTRUCTIONS FOR OILING

---

To ensure easy running and prevent unnecessary wear of the parts which are in movable contact, the machine requires oiling and when in continuous use, "TYPE B" or "TYPE D" OIL, sold only by Singer Sewing Machine Company, should be applied at least twice each day to all oil holes marked "OIL", as instructed in Form 18958.

"TYPE D" OIL is stainless.

## INDEX

---

|   | Page |
|---|------|
| Accessories.....                                      | 23   |
| Belt and Pulley Guard.....                            | 23   |
| Button Clamp No. 175752 (For No. 175-33 Machine)..... | 24   |
| "    "    No. 175738 (For 40 to 80 ligne buttons)...  | 25   |
| "    "    No. 175654 (For 80 to 120 ligne buttons)..  | 26   |
| Feed Plates.....                                      | 27   |
| Machine Base.....                                     | 28   |
| Machine No. 175-33.....                               | 5    |
| "    No. 175-34.....                                  | 16   |
| "    No. 175-38.....                                  | 17   |
| "    No. 175-45.....                                  | 19   |
| "    No. 175-46.....                                  | 21   |
| Numerical List of Parts.....                          | 31   |
| Starting Lever and Foot Lifter Parts.....             | 29   |
| Table Belt Guide.....                                 | 29   |
| Thread Unwinder.....                                  | 30   |

## INSTRUCTIONS FOR ORDERING

In ordering from this list, use ONLY the part NUMBER in the FIRST column.

The number stamped on a Sewing Machine Part is in every case the number of the single part only.

Every combination of parts sent out as such has its specific number, which, although not stamped on the parts, must be used when ordering the combination.

Each number always indicates the SAME PART in whatever list it appears, or for whatever machine.

The letters after some of the numbers indicate the style of finish only, as follows:

- A-Hardened, Polished, Nickel Plated and Buffed
- A.A-Buffed and Chromium Plated
- A.B-Hardened, Polished, Buffed and Chromium Plated
- A.C-Brown Baking Enamel Finish
- A.D-Gray Baking Enamel Finish
- A.E-Hardened, Bright Rumbled and Nickel Plated
- A.F-Hardened, Bright Rumbled, Nickel Plated, Bright Rumbled and Chromium Plated
- B-Polished, Nickel Plated and Buffed
- C-Hardened Only
- C.R-Hardened and Merlized
- D-Polished Only
- E-Soft, Not Polished
- F-Hardened and Polished
- F.J-Hardened, Polished and Nickel Plated
- G-Bright Rumbled and Nickel Plated
- H-Blued
- J-Nickel Plated Only
- K-Hardened and Nickel Plated
- L-Brass Plated
- M-Oxidized
- N-Japanned, Dull
- P-Japanned, Bright
- P.P-Wrinkle Finish
- R-Merlized
- S-cadmium Plated
- T-Copper Plated
- T.A-Hardened, Polished, Copper and Nickel Plated and Buffed
- T.B-Copper and Nickel Plated and Polished
- T.J-Copper and Nickel Plated Only
- T.K-Hardened, Copper and Nickel Plated
- T.L-Copper and Brass Plated
- T.M-Copper Plated and Oxidized
- U-Zinc Plated
- V-Silver Plated
- W-Polished and Nickel Plated
- X-Black Oxide, for Iron and Steel
- X.C-Hardened and Black Oxide, for Iron or Steel
- Y-Black Nickel Plated Only
- Z-Chromium Plated
- Z.A-Hardened, Polished, Nickel Plated, Buffed and Chromium Plated
- Z.B-Polished, Nickel Plated, Buffed and Chromium Plated
- Z.C-Hardened and Chromium Plated
- Z.D-Polished and Chromium Plated
- Z.G-Bright Rumbled, Nickel Plated, Bright Rumbled and Chromium Plated
- Z.J-Nickel and Chromium Plated
- Z.T-Copper and Chromium Plated

These letters MUST BE USED when they appear in the list; and AFTER the number as in the list.

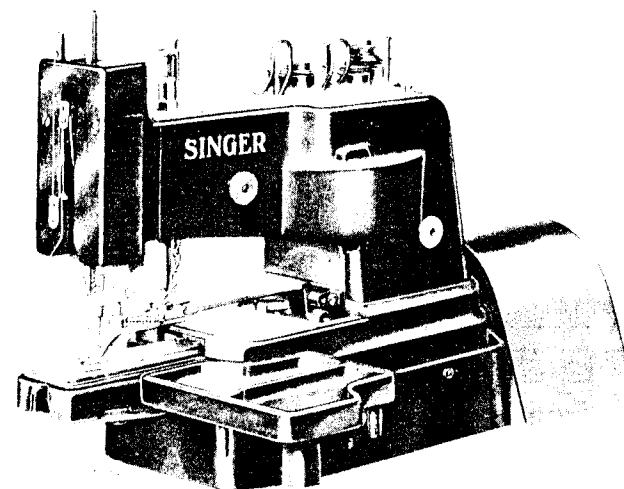
In this series:

- 1 to 1500, 50001 to 51500 and 140001 to 142000 are Screw Numbers
- 1501 to 1800 and 51501 to 51800 are Nut Numbers
- 1801 to 2000 and 51801 to 52000 are Roller Numbers
- 2001 to 50000 and 52001 to 140000 and 142001 to 190000 are Sewing Machine Parts, 190001 and upward are numbers of Electrical Parts.

The figures in the second column refer only to the plates, illustrating the parts, and are NOT TO BE USED in ordering.

Parts marked with an asterisk (\*) are furnished only when repairs are made at factory.

## LIST OF PARTS COMPLETE FOR



### MACHINE No. 175-33

For Sewing Snap Fasteners and Buttons on Dresses, Blouses, Underwear, Knit Goods, etc. For two and four hole buttons and snap fasteners. Makes straight cross-over stitch. Makes sixteen stitches, including the knotting stitch. Clamp Moves UP the bed ONLY when sewing snaps and four hole buttons. Fitted with clamp for holding snap fasteners sizes, O, OO and OOO; also button clamp for buttons from 14 to 45 ligne. Speed 1000 R. P. M.

| No.     | Plate | Name   |
|---------|-------|--|
| *175001 | ----- | Arm with 15404 and two 15405.....                        |
| 8589    | 22895 | " Dowel Pin.....   |
| 175004  | 22896 | " Rock Shaft with 175007.....                            |
| 175005  | 22896 | " " " Crank (back) with 1177E, 1521J and 140016E.....    |
| 1177E   | 22896 | Arm Rock Shaft Crank (back) Clamping Screw.....          |
| 140016E | 22896 | Arm Rock Shaft Crank (back) Position Screw.....          |
| 1521J   | 22896 | Arm Rock Shaft Crank (back) Position Screw Lock Nut..... |





| No.     | Plate | Name   |
|---------|-------|--|
| 175548  | 23306 | Feed Plate Carrier Regulating Nut Screw Stud.....                          |
| 175078  | 23306 | Feed Plate Carrier Regulating Nut Screw Stud Slide Block.....              |
| 175079  | 23306 | Feed Plate Carrier Regulating Nut Screw Stud Washer.....                   |
| 175549  | 23306 | Feed Plate Carrier Regulating Nut Tightening Handle.....                   |
| 175081  | 23306 | Feed Plate Carrier Regulator with 228J..                                   |
| 175627  | ----- | " " " " 175081 with 175074 and 175796 (for agents only)                    |
| 175083  | 23306 | Feed Plate Carrier Regulator Spring....                                    |
| 160J    | 23306 | " " " " " Screw (bed end).....   |
| 228J    | 23306 | Feed Plate Carrier Regulator Spring Screw (regulator end).....             |
| 227J    | 23307 | Feed Plate Screw.....  |
| 175085  | 22895 | Looper.....  |
| 175086  | 22895 | " Driving Shaft.....   |
| 175087  | 22895 | " " " Bushing.....   |
| 175594  | ----- | " " " " 175087 with 175086, 175091 and 175092.....                         |
| 51183E  | 22895 | Looper Driving Shaft Bushing Clamping Screw.....                           |
| 175525  | 22895 | Looper Driving Shaft Crank with 435C and 1285C.....                        |
| 175089  | 22895 | Looper Driving Shaft Crank Connecting Link.....                            |
| 175660  | ----- | Looper Driving Shaft Crank Connecting Link 175089 with 175525 and 175529.. |
| 1285C   | 22895 | Looper Driving Shaft Crank Position Screw.....                             |
| 435C    | 22895 | Looper Driving Shaft Crank Set Screw....                                   |
| 175091  | 22895 | " " " " Gear.....  |
| 175092  | 22895 | " " " " Pin.....   |
| 458C    | 22895 | " Set Screw.....   |
| 175093  | 22895 | " Shaft with 458C.....   |
| 175529  | 22895 | " " Crank with two 140027C.....  |
| 140027C | 22895 | " " " Set Screw.....   |
| 175096  | 22895 | Machine Rest Stud.....   |
| 458C    | 22895 | " " " " Set Screw.....   |
| 204383  | 23308 | Needle Bar (hollow) with 200125F,200175D and 204250.....                   |
| 175098  | 23308 | Needle Bar Connecting Link.....  |
| 140028C | 23308 | " " " " Hinge Screw..  |
| 1722J   | 23308 | " " " " " " " Nut.....   |
| 175810  | 23308 | Needle Bar Connecting Link Hinge Stud with 160E.....                       |
| 175811  | ----- | Needle Bar Connecting Link Hinge Stud 175810 with 1492J, 175100 and 175101 |

| No.     | Plate | Name  |
|---------|-------|---|
| 160E    | 23308 | Needle Bar Connecting Link Hinge Stud Clamping Screw.....               |
| 175100  | 23308 | Needle Bar Connecting Link Hinge Stud Thread Guide Plate.....           |
| 1492J   | 23308 | Needle Bar Connecting Link Hinge Stud Thread Guide Plate Screw.....     |
| 175101  | 23308 | Needle Bar Connecting Link Hinge Stud Thread Guide Roller.....          |
| 175102  | 23308 | Needle Bar Connecting Stud (lower).....                                 |
| 1681J   | 23308 | " " " " " " Nut..   |
| 51652J  | 23308 | " " " " " " " Lock Nut.....   |
| 175103  | 23308 | Needle Bar Connecting Stud (lower) Washer.....                          |
| 175104  | 23308 | Needle Bar Connecting Stud (upper).....                                 |
| 1681J   | 23308 | " " " " " " Nut..   |
| 51652J  | 23308 | " " " " " " " Lock Nut.....   |
| 175103  | 23308 | Needle Bar Connecting Stud (upper) Washer.....                          |
| 175105  | 22895 | Needle Bar Eccentric with 140027C.....                                  |
| 175106  | 22896 | " " " " Connecting Rod with 1521J,140024E,175535 and two 140029E        |
| 140029E | 22896 | Needle Bar Eccentric Connecting Rod Cap Screw.....                      |
| 140024E | 22896 | Needle Bar Eccentric Connecting Rod Clamping Screw.....                 |
| 1521J   | 22896 | Needle Bar Eccentric Connecting Rod Clamping Screw Nut.....             |
| 140031C | 22896 | Needle Bar Eccentric Connecting Rod Hinge Screw.....                    |
| 51653E  | 22896 | Needle Bar Eccentric Connecting Rod Hinge Screw Nut.....                |
| 175535  | 22896 | Needle Bar Eccentric Connecting Rod Oil Pad (felt).....                 |
| 175108  | 22895 | Needle Bar Eccentric Pawl with 175114...                                |
| 175109  | ----- | Needle Bar Eccentric Pawl complete, Nos. 175108, 175110 and 175112..... |
| 175110  | 22895 | Needle Bar Eccentric Pawl Bracket with 175111.....                      |
| 134E    | 22895 | Needle Bar Eccentric Pawl Bracket Screw.                                |
| 175111  | 22895 | " " " " " " " Steady Pin.....   |
| 175112  | 22895 | Needle Bar Eccentric Pawl Hinge Pin....                                 |
| 175113  | 22895 | " " " " " Spring.....   |
| 175114  | 22895 | " " " " " Stud...   |
| 175119  | 22895 | " " " " Pin.....  |
| 140027C | 22895 | " " " " Set Screw.....  |
| 204250  | 23308 | " " Thread Guide.....   |
| 200175D | 23308 | " " " " " Screw.....  |

| No.     | Plate | Name  |
|---------|-------|---|
| 175296  | 22896 | Needle Bar Vibrating Cam with 175185....  |
| 175119  | 22896 | " " " " Pin.....  |
| 175120  | 22896 | " " " " Lever.....  |
| 175756  | 22896 | " " " " Adjusting<br>Bracket with 458C and 1341C.....                                 |
| 175759  | ----- | Needle Bar Vibrating Lever Adjusting<br>Bracket 175756 with 175123 and<br>175770..... |
| 175757  | 22896 | Needle Bar Vibrating Lever Adjusting<br>Bracket Hinge Stud.....                       |
| 175770  | ----- | Needle Bar Vibrating Lever Adjusting<br>Bracket Hinge Stud 175757 with<br>175758..... |
| 1341C   | 22896 | Needle Bar Vibrating Lever Adjusting<br>Bracket Hinge Screw Set Screw.....            |
| 175758  | 22896 | Needle Bar Vibrating Lever Adjusting<br>Bracket Hinge Stud Slide.....                 |
| 51654C  | 22896 | Needle Bar Vibrating Lever Adjusting<br>Bracket Lock Nut.....                         |
| 175123  | 22896 | Needle Bar Vibrating Lever Adjusting<br>Bracket Lock Nut Screw Stud.....              |
| 458C    | 22896 | Needle Bar Vibrating Lever Adjusting<br>Bracket Lock Nut Screw Stud Set<br>Screw..... |
| 175125  | 22896 | Needle Bar Vibrating Lever Adjusting<br>Bracket Lock Nut Washer.....                  |
| 175126  | 22896 | Needle Bar Vibrating Lever Arm with<br>51923.....                                     |
| 140033C | 22896 | Needle Bar Vibrating Lever Arm Hinge<br>Screw.....                                    |
| 51923   | 22896 | Needle Bar Vibrating Lever Arm Roller<br>and Screw Stud.....                          |
| 140024E | 22896 | Needle Bar Vibrating Lever Arm Screw....  |
| 175032  | 22896 | " " " " " " "<br>Washer.....  |
| 140034C | 22896 | Needle Bar Vibrating Lever Hinge Screw..  |
| 140035C | 22896 | " " " " " " "<br>Lock Screw.....  |
| 175127  | 22896 | Needle Bar Vibrating Lever Hinge Screw<br>Slide.....                                  |
| 175591  | 22895 | Needle Guide with 175547 and two 218D...  |
| 175546  | ----- | " " 175591 with 175131 and<br>175136.....   |
| 175130  | 22895 | Needle Guide Cam with two 1259C.....  |
| 1259C   | 22895 | " " " " Set Screw.....  |
| 175132  | 22895 | " " Oscillating Crank with<br>140159E and 175134.....                                 |
| 140159E | 22895 | Needle Guide Oscillating Crank Clamping<br>Screw.....                                 |
| 175016  | 22895 | Needle Guide Oscillating Crank Spring...  |

| No.  | Plate | Name   |
|--|-------|--|
| 175134   | 22895 | Needle Guide Oscillating Crank Spring<br>Hook (crank end).....                           |
| 175135   | 22895 | Needle Guide Oscillating Crank Spring<br>Hook (bed end).....                             |
| 175131   | 22895 | Needle Guide Pin.....  |
| 175136   | 22895 | " " Shaft.....   |
| 175094   | 22895 | " " " Bushing.....   |
| 458C   | 22895 | " " " " Set Screw....  |
| 175547   | 22895 | " " Thread Finger.....   |
| 218D   | 22895 | " " " " Screw.....   |
| 175138   | 23308 | " Plate.....   |
| 140019F  | 23308 | " " Screw.....   |
| 200125F  | 23308 | " Set Screw.....   |
| 175140   | 22895 | Pulley with 51655J, 140037C and 175820,<br>2 3/4 in. diam.....                           |
| Note: No. 175140 is regularly furnished with the<br>machine. |       |  |
| 175634   | ----- | Pulley with 51655J, 140037C and 175820,<br>3 1/4 in. diam.....                           |
| 175636   | ----- | Pulley with 51655J, 140037C and 175820,<br>3 3/4 in. diam.....                           |
| 140037C  | 22895 | Pulley Engaging Screw.....   |
| 51655J   | 22895 | " " " " Nut.....   |
| 175820   | 22895 | " Oil Wick.....  |
| 175142   | 22895 | " Shaft.....   |
| 175595   | ----- | " " 175142 with 175069, 175105,<br>175143, 175144, 175150, 175294 and two<br>175119..... |
| 175143   | 22895 | Pulley Shaft Gear.....   |
| 175144   | 22895 | " " " Pin.....   |
| 175145   | 22895 | " Shifter.....   |
| 175146   | 22895 | " " Holder with 51649J and<br>140078C.....   |
| 140078C  | 22895 | Pulley Shifter Holder Set Screw.....   |
| 51649J   | 22895 | " " " " " Lock Nut.  |
| 1178E  | 22895 | " " Screw.....   |
| 175148   | 22895 | Starting Crank with 1747J and 140039E...   |
| 175630   | ----- | " " 175148 with 175149 and<br>175155.....  |
| 140039E  | 22895 | Starting Crank Adjusting Screw.....  |
| 1747J  | 22895 | " " " " Nut.....   |
| 175149   | 22895 | " " Pin.....   |
| 175150   | 22895 | Stop Dog.....  |
| 175151   | 22895 | " " Cushion Spring.....  |
| 175152   | 22895 | " " " " Holder with<br>50581C, 175151 and two 140040C.....                               |
| 50581C   | 22895 | Stop Dog Cushion Spring Holder Set Screw   |
| 140040C  | 22895 | " " " " Set Screw.....   |
| 175119   | 22895 | " " Pin.....   |
| 175153   | 22895 | " Motion Retaining Collar.....   |



| No.     | Plate | Name   |
|---------|-------|--|
| 160J    | 22895 | Stop Motion Retaining Collar Screw.....                                      |
| 175154  | 22895 | " " " " " Stud.  |
| 882C    | 22895 | " " " " " "  |
|         |       | Set Screw.....   |
| 175155  | 22895 | Stop Motion Shaft.....   |
| 175156  | 22895 | " " " Spring.....  |
| 175157  | 22895 | " " " " Collar with<br>140041C.....  |
| 140041C | 22895 | Stop Motion Shaft Spring Collar Set<br>Screw.....                            |
| 175158  | 22895 | Stop Motion Trip.....  |
| 175159  | 22895 | " " " Block with 882C and<br>175154.....                                     |
| 140042C | 22895 | Stop Motion Trip Block Hinge Screw.....                                      |
| 51649E  | 22895 | " " " " " Nut..  |
| 175113  | 22895 | " " " " Spring.....  |
| 175229  | 22896 | " " " Point.....   |
| 160J    | 22895 | " " " Screw.....   |
| 175032  | 22895 | " " " Washer.....  |
| 175160  | 23309 | Tension (automatic) Disc.....  |
| 175161  | 23309 | " " " Position Pin...  |
| 1560C   | 23309 | " " " Regulating Thumb Nut   |
| 175162  | 22895 | " " " Releasing Cam with<br>two 140027C.....                                 |
| 140027C | 22895 | Tension (automatic) Releasing Cam Set<br>Screw.....                          |
| 175522  | 23309 | Tension (automatic) Releasing Disc.....                                      |
| 175163  | 23309 | " " " Rod.....   |
| 1521J   | 23309 | " " " " Adjust-<br>ing Nut.....  |
| 1521J   | 23309 | Tension (automatic) Releasing Rod Ad-<br>justing Nut Lock Nut.....           |
| 175164  | 23309 | Tension (automatic) Releasing Rod Spring                                     |
| 175165  | 23309 | " " " " Wearing<br>Sleeve.....   |
| 140043C | 23309 | Tension (automatic) Screw Stud.....  |
| 175166  | ----- | " " " " 140043C<br>with 1560C.....   |
| 125314  | 23309 | Tension (automatic) Spring.....  |
| 175167  | 23309 | " " " Thread Eyelet.....   |
| 175168  | ----- | Tension (automatic) complete, Nos.<br>125314, 175166, 175522 and two 175160. |
| 175160  | 23309 | Tension (stationary) Disc.....   |
| 175161  | 23309 | " " " Position Pin..   |
| 1560C   | 23309 | " " " Regulating Thumb<br>Nut.....   |
| 140044C | 23309 | Tension (stationary) Screw Stud.....   |
| 175169  | ----- | " " " " 140044C<br>with 1560C.....   |
| 13710   | 23309 | Tension (stationary) Spring.....   |

| No.     | Plate | Name   |
|---------|-------|--|
| 175170  | ----- | Tension (stationary) complete, Nos.<br>13710, 175169 and two 175160..... |
| 175171  | 23309 | Thread Eyelet (back).....  |
| 175172  | 23309 | " " (front).....   |
| 175173  | 23309 | " Nipper Head.....   |
| 175174  | 23309 | " " Plate.....   |
| 160J    | 23309 | " " " Screw.....   |
| 175175  | 23309 | " " " Washer.....  |
| 140045K | 23309 | " " Releasing Head Screw.....  |
| 175176  | 23309 | " " " Lever.....   |
| 140046C | 23309 | " " " " Hinge<br>Screw.....  |
| 175177  | 23309 | Thread Nipper Releasing Rod.....   |
| 175178  | ----- | " " " " 175177 with<br>175173.....                                       |
| 175179  | 23309 | Thread Nipper Releasing Rod Spring<br>(lower).....                       |
| 175180  | 23309 | Thread Nipper Releasing Rod Spring<br>(lower) Washer.....                |
| 175181  | 23309 | Thread Nipper Releasing Rod Spring<br>(upper).....                       |
| 175182  | 23309 | Thread Nipper Releasing Rod Spring<br>Collar with 465C.....              |
| 465C    | 23309 | Thread Nipper Releasing Rod Spring<br>Collar Set Screw.....              |
| 175183  | 23309 | Thread Nipper Releasing Screw Stud.....                                  |
| 1722J   | 23309 | " " " " " Nut..  |
| 175184  | 23309 | " " " " " "<br>Washer.....   |
| 175185  | 22896 | Thread Nipper Releasing Stud.....  |
| 175161  | 23309 | " " Thread Guide Pin.....  |
| 175186  | 23309 | " Pull-off (back).....   |
| 175187  | 23309 | " " " Holder with 160C<br>and 1120C.....                                 |
| 160C    | 23309 | Thread Pull-off (back) Holder Set Screw.                                 |
| 1120C   | 23309 | " " " Set Screw.....   |
| 175188  | 23309 | " " (front).....   |
| 175189  | 23309 | " " " Holder with 1120C<br>and 175190.....                               |
| 175190  | 23309 | Thread Pull-off (front) Holder Stop Pin.                                 |
| 1120C   | 23309 | " " " Set Screw.....   |
| 175191  | 23309 | " " Stop Collar with 160C and<br>175192.....                             |
| 160C    | 23309 | Thread Pull-off Stop Collar Set Screw...                                 |
| 175192  | 23309 | " " " Stop Pin....   |
| 175167  | 23309 | " " Thread Eyelet.....   |
| *15404  | ----- | Trade Mark.....  |
| 15405   | ----- | " " Rivet.....   |

## MACHINE No. 175-34

For Sewing Buttons on Men's and Boys' Clothing, Work Shirts, Pants, Overalls, Sweaters, etc. For medium and large two and four hole flat buttons. In four hole buttons makes two parallel bars with one diagonal cross-over stitch. In two hole buttons makes the Dubbilstay stitch, spreading the stitches in the fabric same as in a four hole button. Makes sixteen stitches, including cross-over and knotting stitches. Clamp Moves UP the bed ONLY when sewing four hole buttons. Speed 1000 R. P. M.

NOTE: THIS MACHINE IS THE SAME AS THE 175-33 MACHINE, WITH THE FOLLOWING EXCEPTIONS:

| No.    | Plate | Name  |
|--------|-------|---|
| 175298 | 23310 | Button Clamp (left) 175021 with 228J, 140021C, 175026 and 175299, in place of 175022.....   |
| 175299 | 23310 | Button Clamp (left) Spring Reinforcing Spring.....  |
| 175300 | 23310 | Button Clamp (right) 175027 with 228J, 140021C, 175030 and 175299, in place of 175028.....  |
| 175299 | 23310 | Button Clamp (right) Spring Reinforcing Spring.....   |
| 175303 | 23310 | Button Clamp Closing Spring, in place of 175040.....  |
| 175302 | 23310 | Button Clamp Spreader and Button Stop, in place of 175056.....  |
| 175736 | ----- | Button Clamp Spreader and Button Stop 175302 with 175058 and two 1472J, in place of 175734.....   |
| 175304 | ----- | Button Clamp complete, Nos. 51688J, 140265W, 175057, 175298, 175300, 175303, 175736 and two 140020C, in place of 175059.....                |
| 175613 | 23310 | Button Clamp 175304 with 680W, 175031, 175033, two 140024C and three 175032, for 20 to 45 ligne buttons, in place of 175611 and 175626..... |
| 175355 | 22897 | Feed Cam, in place of 175293.....   |
| 175603 | ----- | " " Driving Worm Wheel Shaft 175071 with 175119 and 175358, in place of 175602.....   |
| 175305 | 23310 | Feed Plate, in place of 175072.....   |
| 175358 | 22897 | Needle Bar Vibrating Cam with 175185, in place of 175296.....   |

## MACHINE No. 175-38

For Sewing Top and Stay Buttons, in One Operation, for Raincoats, Sheep-Lined Clothing, Leather Jackets, etc. For medium and large two and four hole buttons. In four hole buttons makes two parallel bars with one diagonal cross-over stitch. Will sew a two hole button with a four-hole stay button by using the Dubbilstay movement. Makes sixteen stitches, including cross-over and knotting stitches. Clamp Moves UP the bed ONLY when sewing four hole buttons. Speed 1000 R. P. M.

NOTE: THIS MACHINE IS THE SAME AS THE 175-33 MACHINE, WITH THE FOLLOWING EXCEPTIONS:

| No.    | Plate | Name  |
|--------|-------|---|
| 175340 | 22899 | Arm Rock Shaft with 175007, in place of 175004.....   |
| 175298 | 22898 | Button Clamp (left) 175021 with 228J, 140021C, 175026 and 175299, in place of 175022.....   |
| 175299 | 22898 | Button Clamp (left) Spring Reinforcing Spring.....  |
| 175300 | 22898 | Button Clamp (right) 175027 with 228J, 140021C, 175030 and 175299, in place of 175028.....  |
| 175299 | 22898 | Button Clamp (right) Spring Reinforcing Spring.....   |
| 175303 | 22898 | Button Clamp Closing Spring, in place of 175040.....  |
| 175302 | 22898 | Button Clamp Spreader and Button Stop, in place of 175056.....  |
| 175736 | ----- | Button Clamp Spreader and Button Stop 175302 with 175058 and two 1472J, in place of 175734.....   |
| 175304 | ----- | Button Clamp complete, Nos. 51688J, 140265W, 175057, 175298, 175300, 175303, 175736 and two 140020C, in place of 175059.....                |
| 175613 | 22898 | Button Clamp 175304 with 680W, 175031, 175033, two 140024C and three 175032, for 20 to 45 ligne buttons, in place of 175611 and 175626..... |
| 175355 | 22899 | Feed Cam, in place of 175293.....   |
| 175603 | ----- | " " Driving Worm Wheel Shaft 175071 with 175119 and 175358, in place of 175602.....   |

| No.    | Plate | Name   |
|--------|-------|--|
| 175584 | 22898 | Feed Plate for 175613, in place of 175072.....                     |
| 197J   | 22898 | Feed Plate Screw, in place of 227J.....                            |
| 175357 | 22898 | " " " Lock Washer.....   |
| 175585 | 22896 | " " Stay Button Holder with two 175590 (18 ligne stay button)..... |
| 175589 | 22898 | Feed Plate Stay Button Holder Spring....                           |
| 175590 | 22898 | " " " " " Stud.....  |
| 175348 | 23311 | Needle Bar Connecting Link, in place of 175098.....                |
| 175349 | 23311 | Needle Bar Connecting Stud (lower) in place of 175102.....         |
| 175358 | 22899 | Needle Bar Vibrating Cam with 175185, in place of 175296.....      |

SINGER Needles should be used  
in SINGER Machines.  
These Needles and their Containers  
are marked with the  
Company's Trade Mark "SIMANCO.\*\*\*" 1

Needles in Containers marked  
"FOR SINGER MACHINES"  
are NOT **SINGER** made needles. 2

## MACHINE No. 175-45

For Sewing Buttons on Sack Coats and Top Coats where it is Desired to have the Button Raised from the Material. For two and four hole buttons, sewing away from the fabric in preparation for shanking or necking. Makes sixteen stitches, including the diagonal cross-over and knotting stitches. Clamp Moves UP the bed ONLY when sewing four hole buttons. Fitted with elevating foot for sewing away from the fabric, and an adjustable gauge for blind stitching to the fabric. Speed 1000 R. P. M.

NOTE: THIS MACHINE IS THE SAME AS THE 175-33 MACHINE,  
WITH THE FOLLOWING EXCEPTIONS:

| No.  | Plate | Name  |
|--|-------|---|
| 175340   | 22899 | Arm Rock Shaft with 175007, in place of 175004.....   |
| 175298   | 22900 | Button Clamp (left) 175021 with 228J, 140021C, 175026 and 175299, in place of 175022.....       |
| 175299   | 22900 | Button Clamp (left) Spring Reinforcing Spring.....  |
| 175300   | 22900 | Button Clamp (right) 175027 with 228J, 140021C, 175030 and 175299, in place of 175028.....      |
| 175299   | 22900 | Button Clamp (right) Spring Reinforcing Spring.....   |
| 175303   | 22900 | Button Clamp Closing Spring, in place of 175040.....  |
| 175401   | 22900 | Button Clamp Leveling Foot (single) high foot.....  |
| Note: When ordering No. 175401, specify step required. |       |   |
| 140067J  | 22900 | Button Clamp Leveling Foot Position Screw.....  |
| 140068W  | 22900 | Button Clamp Leveling Foot Thumb Screw..  |
| 175302   | 22900 | " " Spreader and Button Stop, in place of 175056.....   |
| 175736   | ----- | Button Clamp Spreader and Button Stop 175302 with 175058 and two 1472J, in place of 175734..... |

| No.   | Plate | Name   |
|---|-------|--|
| 175403  | ----- | Button Clamp complete, Nos. 51688J, 140067J, 140068W, 140265W, 175057, 175298, 175300, 175303, 175736 and two each 140020C and 175401, in place of 175059..... |
| Note: No. 175401 is furnished in 1/8 in. and 11/32 in. steps unless otherwise specified on order. |       |  |
| 175614  | 22900 | Button Clamp 175403 with 680W, 175031, 175033, two 140024C and three 175032, for 20 to 45 ligne buttons, in place of 175611 and 175626.....                    |
| 175355  | 22899 | Feed Cam, in place of 175293.....  |
| 175603  | ----- | " " Driving Worm Wheel Shaft 175071 with 175119 and 175358, in place of 175602.....  |
| 175405  | 22900 | Feed Plate with 185J and three 175407, in place of 175072.....   |
| 185J  | 22900 | Feed Plate Work Support Adjusting Screw.   |
| 175407  | 22900 | " " " " Rivet.....   |
| 175348  | 23311 | Needle Bar Connecting Link, in place of 175098.....  |
| 175349  | 23311 | Needle Bar Connecting Stud (lower) in place of 175102.....   |
| 175358  | 22899 | Needle Bar Vibrating Cam with 175185, in place of 175296.....  |

SINGER Needles should be used  
in SINGER Machines.  
These Needles and their Containers  
are marked with the  
Company's Trade Mark "SIMANCO.\*\*\*" 1

Needles in Containers marked  
"FOR SINGER MACHINES"  
are NOT **SINGER** made needles. 2

## MACHINE No. 175-46

For Sewing Buttons on Sack Coats, Top Coats and Overcoats where it is Desired to have the Button Raised from the Material. Also for sewing stay buttons. For two and four hole buttons, sewing away from the fabric in preparation for shanking or necking, both through and through and blind stitching. Makes sixteen stitches, including the diagonal cross-over and knotting stitches. Clamp Moves UP the bed ONLY when sewing four hole buttons. Fitted with single elevating foot for sewing away from the fabric blind stitch; also a double elevating foot for sewing away from the fabric through and through and a swinging blind stitch and stay button gauge for buttons from 18 to 22 ligne. Speed 1000 R. P. M.

NOTE: THIS MACHINE IS THE SAME AS THE 175-33 MACHINE,  
WITH THE FOLLOWING EXCEPTIONS:

| No.  | Plate | Name  |
|--|-------|---|
| 175340   | 22899 | Arm Rock Shaft with 175007, in place of 175004.....   |
| 175410   | 23302 | Bed Top Cover (front) in place of 175020  |
| 175298   | 23301 | Button Clamp (left) 175021 with 228J, 140021C, 175026 and 175299, in place of 175022.....       |
| 175299   | 23301 | Button Clamp (left) Spring Reinforcing Spring.....  |
| 175300   | 23301 | Button Clamp (right) 175027 with 228J, 140021C, 175030 and 175299, in place of 175028.....      |
| 175299   | 23301 | Button Clamp (right) Spring Reinforcing Spring.....   |
| 175303   | 23301 | Button Clamp Closing Spring, in place of 175040.....  |
| 175401   | 23301 | Button Clamp Leveling Foot (single) high foot.....  |
| 175411   | 23301 | Button Clamp Leveling Foot (double) high foot.....  |
| Note: When ordering Nos. 175401 and 175411, specify step required. |       |   |
| 140067J  | 23301 | Button Clamp Leveling Foot Position Screw.....  |
| 140068W  | 23301 | Button Clamp Leveling Foot Thumb Screw  |
| 175302   | 23301 | " " Spreader and Button Stop, in place of 175056.....   |
| 175736   | ----- | Button Clamp Spreader and Button Stop 175302 with 175058 and two 1472J, in place of 175734..... |

| No.   | Plate | Name   |
|---|-------|--|
| 175413  | ----- | Button Clamp complete, Nos. 51688J, 140067J, 140068W, 140265W, 175057, 175298, 175300, 175303, 175736 and two each 140020C, 175401 and 175411, in place of 175059..... |
| Note: Nos. 175401 and 175411 is furnished in 1/8 in. and 11/32 in. steps unless otherwise specified on order. |       |  |
| 175615  | 23301 | Button Clamp 175413 with 680W, 175031, 175033, two 140024C and three 175032, for 14 to 45 ligne buttons, in place of 175611 and 175626.....                            |
| 175355  | 22899 | Feed Cam, in place of 175293.....  |
| 175603  | ----- | " " Driving Worm Wheel Shaft 175071 with 175119 and 175358, in place of 175602.....  |
| 175414  | 23301 | Feed Plate.....  |
| 175415  | 23301 | " " 175414 with 1620J, 140069W, 175416, 175417 and two 50090J, for 18 ligne stay button, in place of 175072.....   |
| 175417  | 23301 | Feed Plate Stay Button Holder (18 ligne stay button) for 175415.....   |
| 140069W   | 23301 | Feed Plate Stay Button Holder Hinge Screw.....   |
| 1620J   | 23301 | Feed Plate Stay Button Holder Hinge Screw Nut.....   |
| 140070J   | 23302 | Feed Plate Stay Button Holder Position Screw.....  |
| 175416  | 23301 | Feed Plate Work Support.....   |
| 50090J  | 23301 | " " " " Screw.....   |
| 175348  | 23302 | Needle Bar Connecting Link, in place of 175098.....  |
| 175349  | 23302 | Needle Bar Connecting Stud (lower) in place of 175102.....   |
| 175358  | 22899 | Needle Bar Vibrating Cam with 175185, in place of 175296.....  |

## ACCESSORIES

| No.    | Plate | Name  |
|--------|-------|---|
| 175193 | 22884 | Button Tray with three 175194.....                          |
| 175194 | 22884 | " " Hinge Screw Stud.....                                   |
| 160C   | 22892 | " " " " " Set Screw for 175829.....                         |
| 175195 | 22884 | Hand Wheel with two 1448C, for turning machine by hand..... |
| 1448C  | 22884 | Hand Wheel Set Screw.....                                   |
| 120342 | 22884 | Oiler (copper plated) with 120343.....                      |
| 120343 | 22884 | " Spout, 3 1/2 in. long.....                                |
| 26026  | 22884 | Screw Driver.....   |
| 175197 | 22884 | Wrench for 140026.....                                      |
| 175198 | 22884 | " " 140027.....   |
| 175625 | 22884 | " " 51671 and 140024.....                                   |

## BELT AND PULLEY GUARD

(HINGED)

| No.    | Plate | Name   |
|--------|-------|--|
| 175537 | 22885 | Belt and Pulley Guard.....   |
| 175538 | 22885 | " " " " Fill-in Piece (metal) with two wood screws 3/4 in. No. 10 R.H., for Trough Power Tables  |
| 175539 | 22885 | Belt and Pulley Guard Fill-in Piece (wood) with four wood screws 1 1/2 in. No. 12 F.H., for Flat Power Tables.....                           |
| 175540 | 22885 | Belt and Pulley Guard complete, for Individual Motor Table, for 175544, Nos. 42830, 175537, 175543 and two wood screws 1 in. No. 14 F.H..... |
| 175541 | 22885 | Belt and Pulley Guard Hinge Pin.....   |
| 175542 | 22885 | " " " " " " Bracket.   |
| 175543 | ----- | " " " " " " " 175542 with 175541.....  |
| 42830  | 22885 | Belt and Pulley Guard Hinge Pin Cotter Pin.....  |
| 175544 | 22885 | Belt and Pulley Guard with Fill-in Pieces complete, Nos. 175538 to 175540.....   |



## BUTTON CLAMP No. 175654

### FOR 80 TO 120 LIGNE BUTTON

| No.     | Plate | Name  |
|---------|-------|---|
| 175637  | 22890 | Button Clamp (left) with 175622.....                      |
| 175638  | 22890 | " " " 175637 with 230J,<br>140153C and 175639.....        |
| 140152C | 22890 | Button Clamp (left) Hinge Screw.....                      |
| 51676J  | 22890 | " " " " " Nut....   |
| 175653  | 22890 | " " " " " Spacing<br>Collar.....                          |
| 140153C | 22890 | Button Clamp (left) Screw Stud.....                       |
| 175639  | 22890 | " " " Spring.....   |
| 230J    | 22890 | " " " Screw.....  |
| 175622  | 22890 | " " " Steady Pin..  |
| 175640  | 22890 | " " (right) with 175622.....                              |
| 175641  | 22890 | " " " 175640 with 230J,<br>140153C and 175642.....        |
| 140152C | 22890 | Button Clamp (right) Hinge Screw.....                     |
| 51676J  | 22890 | " " " " " Nut....   |
| 175653  | 22890 | " " " " " Spacing<br>Collar.....                          |
| 140153C | 22890 | Button Clamp (right) Screw Stud.....                      |
| 175642  | 22890 | " " " Spring.....   |
| 230J    | 22890 | " " " Screw.....  |
| 175622  | 22890 | " " " Steady Pin..  |
| 175644  | 22890 | " " Adjusting Slide.....                                  |
| 140151J | 22890 | " " " Guide Screw   |
| 51675J  | 22890 | " " " " " " "   |
|         |       | Lock Nut.....   |
| 1656J   | 22890 | Button Clamp Adjusting Slide Thumb Nut..                  |
| 175643  | 22890 | " " Arm.....  |
| 175363  | 22890 | " " Hinge Bracket.....                                    |
| 140072K | 22890 | " " Screw.....  |
| 175032  | 22890 | " " Washer.....   |
| 175647  | 22890 | " " Lifting Chain Bracket with<br>two 190K.....           |
| 175648  | 22890 | Button Clamp Lifting Chain Bracket<br>Holder.....         |
| 190K    | 22890 | Button Clamp Lifting Chain Bracket Set<br>Screw.....      |
| 190K    | 22890 | Button Clamp Lifting Chain Screw (lower)                  |
| 175646  | 22890 | " " Opening Handle.....                                   |
| 223J    | 22890 | " " " Screw.....  |
| 175649  | 22890 | " " Spreader and Button Stop<br>with two 175622.....      |
| 175622  | 22890 | Button Clamp Spreader and Button Stop<br>Slide Pin.....   |
| 140154W | 22890 | Button Clamp Spreader and Button Stop<br>Slide Screw..... |

## BUTTON CLAMP NO. 175654

| No.    | Plate | Name   |
|--------|-------|--|
| 175650 | 22890 | Button Clamp Spreader and Button Stop<br>Spring.....   |
| 175651 | 22890 | Button Clamp Spreader and Button Stop<br>Spring Guide Screw Stud.....  |
| 175652 | 22890 | Button Clamp Spreader and Button Stop<br>Spring Guide Screw Stud Holder.....   |
| 1521J  | 22890 | Button Clamp Spreader and Button Stop<br>Spring Guide Screw Stud Holder Nut..  |
| 175654 | 22890 | Button Clamp complete for 80 to 120<br>ligne button, Nos. 1521J, 1656J,<br>51675J, 140151J, 175363, 175638, 175641,<br>175643, 175644, 175646 to 175652 and<br>two each 223J, 51676J, 140072K,<br>140152C, 140154W, 175032 and 175653. |

## FEED PLATES

| No.    | Plate | Name  |
|--------|-------|---|
| 175574 | 23313 | Feed Plate for 175738, for all machines<br>except 175-38 Machine..... |
| 175655 | 22890 | Feed Plate for 175654.....  |

## FEED PLATES

### FOR MACHINE NO. 175-38

| No.    | Plate | Name   |
|--------|-------|--|
| 175621 | 23303 | Feed Plate for 175738.....   |
| 175585 | 23304 | " " Stay Button Holder with two<br>175590 (18 ligne stay button).....        |
| 175586 | 23304 | Feed Plate Stay Button Holder with two<br>175590 (19 ligne stay button)..... |
| 175587 | 23304 | Feed Plate Stay Button Holder with two<br>175590 (20 ligne stay button)..... |
| 175588 | 23304 | Feed Plate Stay Button Holder with two<br>175590 (22 ligne stay button)..... |
| 175589 | 23304 | Feed Plate Stay Button Holder Spring....                                     |
| 175590 | 23304 | " " " " " Stud.....  |

### FEED PLATES

FOR MACHINE NO. 175-46

| No.     | Plate | Name   |
|---------|-------|--|
| 175414  | 23305 | Feed Plate.....  |
| 175562  | 23305 | " " 175414 with 1620J, 140069W,<br>175416, 175568 and two 50090J (19<br>ligne stay button).....        |
| 175563  | 23305 | Feed Plate 175414 with 1620J, 140069W,<br>175416, 175569 and two 50090J (20<br>ligne stay button)..... |
| 175564  | 23305 | Feed Plate 175414 with 1620J, 140069W,<br>175416, 175570 and two 50090J (22<br>ligne stay button)..... |
| 175568  | 23305 | Feed Plate Stay Button Holder (19 ligne<br>stay button) for 175562.....                                |
| 175569  | 23305 | Feed Plate Stay Button Holder (20 ligne<br>stay button) for 175563.....                                |
| 175570  | 23305 | Feed Plate Stay Button Holder (22 ligne<br>stay button) for 175564.....                                |
| 140069W | 23305 | Feed Plate Stay Button Holder Hinge<br>Screw.....  |
| 1620J   | 23305 | Feed Plate Stay Button Holder Hinge<br>Screw Nut.....  |
| 175416  | 23305 | Feed Plate Work Support.....   |
| 50090J  | 23305 | " " " " Screw.....   |

### MACHINE BASE

| No.     | Plate | Name   |
|---------|-------|--|
| 175829  | 22892 | Machine Base with 160C.....  |
| 175830  | 22892 | Machine Base complete, Nos. 141C, 933F,<br>1637J, 140047C, 175425, 175829, 175831,<br>175832 and four wood screws 7/8 in.<br>No. 14 R.H..... |
| 140047C | 22892 | Machine Locating Screw Stud.....   |
| 175115  | 22892 | " Lock Plate with 175202 and<br>175206.....  |
| 175202  | 22892 | Machine Lock Plate Position Stud.....  |
| 51656J  | 22892 | " " Thumb Nut.....   |
| 175206  | 22892 | " " " " Screw Stud.....  |
| 175207  | 22892 | " " " " Spring.....  |
| 175536  | 22892 | " " " " Washer.....  |
| 175425  | ----- | Machine Lock complete, Nos. 51656J,<br>175115, 175207 and 175536.....  |

| No.    | Plate | Name                        |
|--------|-------|-----------------------------|
| 175831 | 22892 | Machine Starting Lever..... |
| 933F   | 22892 | " " " Hinge Screw.....      |
| 175832 | 22892 | " " " Spring.....           |
| 141C   | 22892 | " " " Stop Screw.....       |
| 1637J  | 22892 | " " " " " Nut...            |

### STARTING LEVER AND FOOT LIFTER PARTS

| No.    | Plate | Name   |
|--------|-------|--|
| 175215 | 22892 | Foot Lifter Chain, 37 in. long, with two<br>56865.....   |
| 56865  | 22892 | Foot Lifter Chain Hook.....  |
| 175216 | 22892 | " " Treadle.....   |
| 175217 | 22892 | " " " Hinge Pin.....   |
| 175218 | 22892 | " " " Stand.....   |
| 175219 | 22892 | Foot Lifter Treadle complete, Nos. 175216<br>to 175218 and two wood screws 1 in.<br>No. 14 F.H.....    |
| 175215 | 22892 | Starting Lever Chain, 37 in. long, with<br>two 56865.....  |
| 56865  | 22892 | Starting Lever Chain Hook.....   |
| 175216 | 22892 | " " Treadle.....   |
| 175217 | 22892 | " " " Hinge Pin.....   |
| 175218 | 22892 | " " " Stand.....   |
| 175219 | 22892 | Starting Lever Treadle complete, Nos.<br>175216 to 175218 and two wood screws<br>1 in. No. 14 F.H..... |

### TABLE BELT GUIDE

| No.     | Plate | Name  |
|---------|-------|---|
| 175220  | 22885 | Belt Guide (left) with 140035C.....   |
| 175221  | 22885 | " " (right) with 140035C.....   |
| 140035C | 22885 | " " Set Screw.....  |
| 175222  | 22885 | Pulley.....   |
| 175223  | 22885 | " Shaft.....  |
| 175224  | ----- | " " 175223 with 1259E and 175227  |
| 175225  | 22885 | " " Bracket with 444C.....  |
| 1259E   | 22885 | " " Oil Plug Screw.....   |
| 175227  | 22885 | " " " Wick.....   |
| 444C    | 22885 | " " Set Screw.....  |
| 175228  | 22885 | Table Belt Guide complete, Nos. 175220,<br>175221, 175224, 175225 and two each<br>175222 and wood screws 7/8 in. No. 14<br>R.H..... |



## THREAD UNWINDER

FOR ONE SPOOL OR ONE LARGE CONE OF THREAD

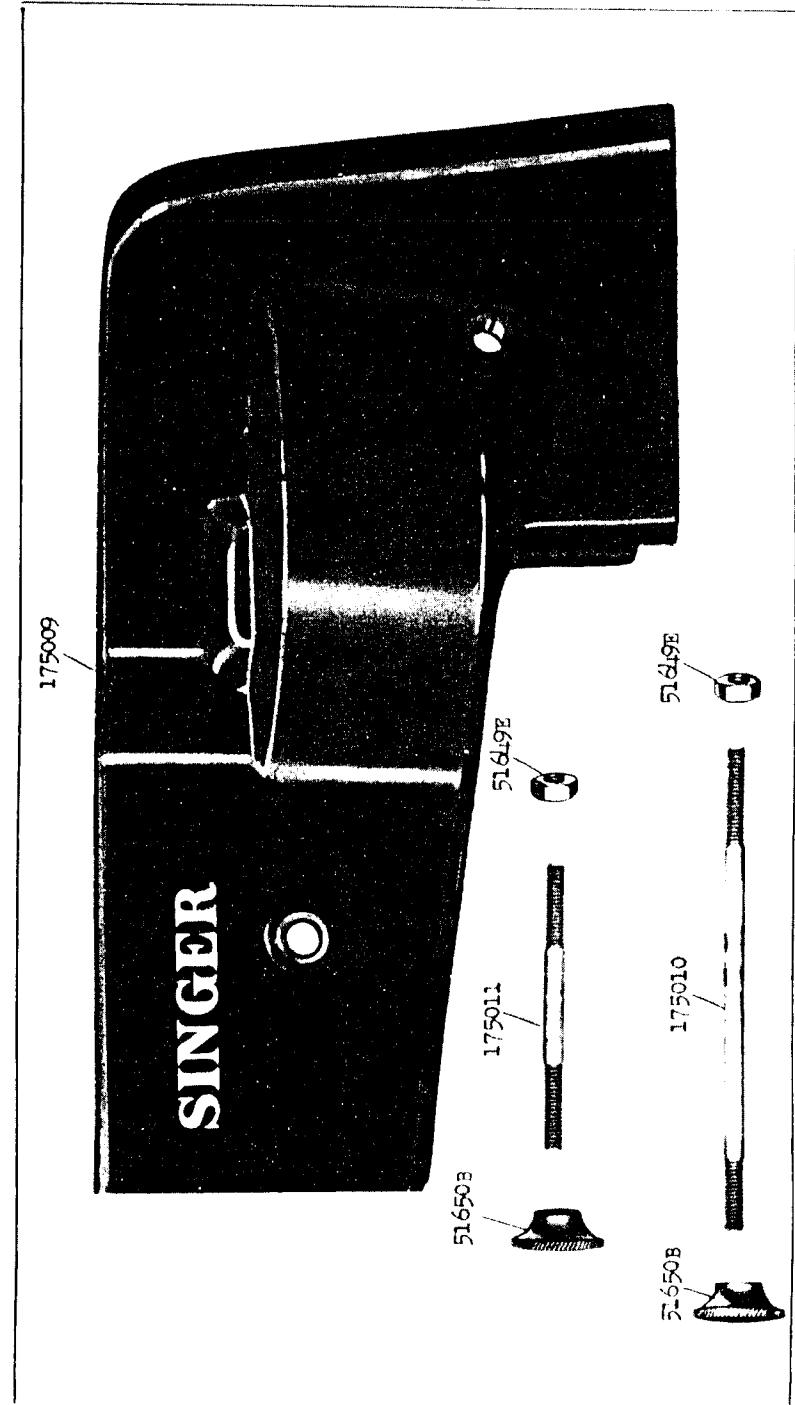
| No.     | Plate | Name  |
|---------|-------|---|
| 225259  | 22893 | Spool Rest with 201018C .....   |
| 150203  | 22893 | " " Cushion (felt).....   |
| 225388  | 22893 | " " Rod.....  |
| 200383C | 22893 | " " " Set Screw.....  |
| 201018C | 22893 | " " Set Screw.....  |
| 202490  | 22893 | " Stand with 200383C .....  |
| 225391  | 22893 | Thread Guide.....   |
| 201696J | 22893 | " " Lock Nut.....   |
| 225326  | 22893 | " " Position Cup.....   |
| 225324  | 22893 | " " Rod with 208E and 225322...   |
| 208E    | 22893 | " " " Screw.....  |
| 225322  | 22893 | " " " Washer.....   |
| 225260  | 22893 | Thread Unwinder complete, Nos. 150203,<br>201696J, 202490, 225259, 225324, 225326,<br>225388, 225391 and three wood screws<br>7/8 in. No. 12 F.H..... |
| 27739   | 22893 | Thread Cone (wood) for large cones.....   |
| 225390  | 22893 | " " Holder for inverted cones...  |

Note: Nos. 27739 and 225390 are used with, but not included in 225260.

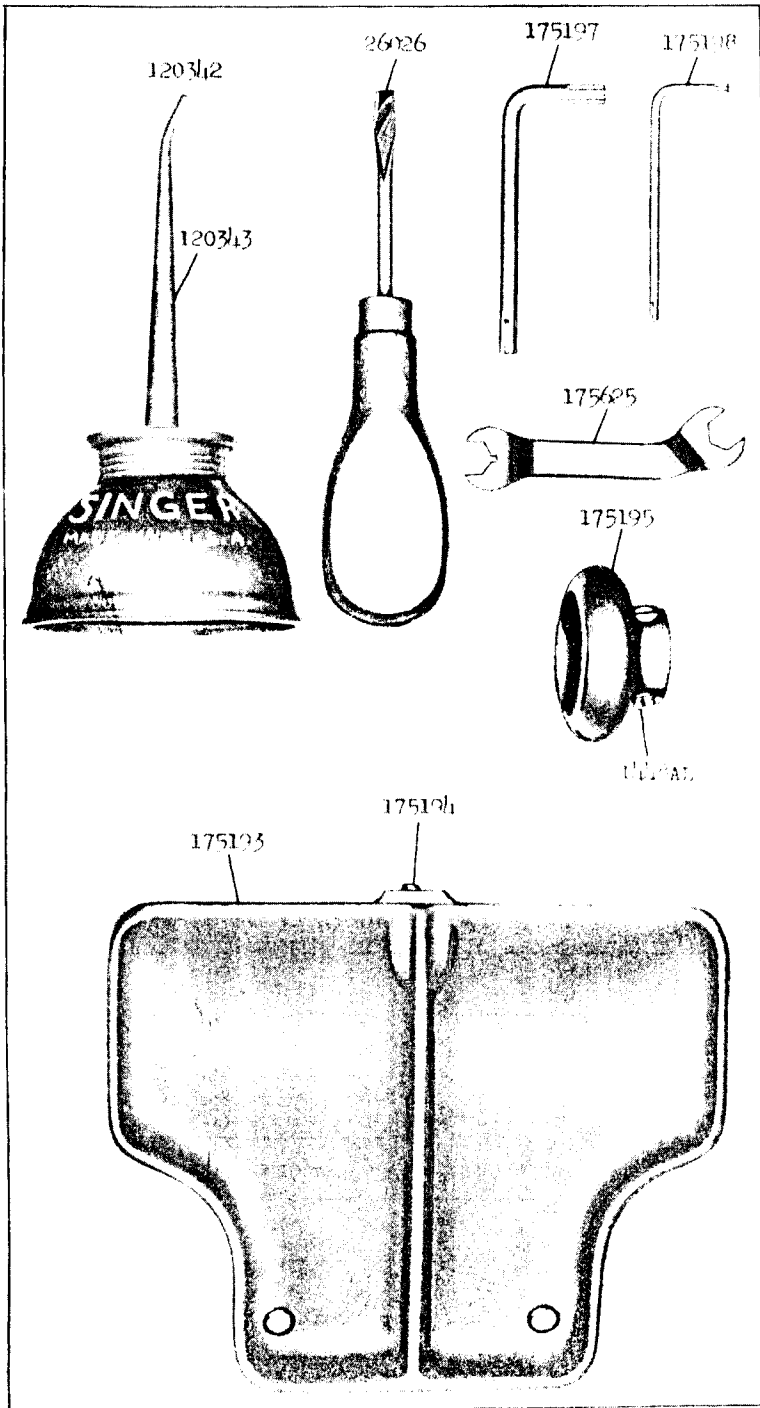
SINGER Needles should be used  
in SINGER Machines.  
These Needles and their Containers  
are marked with the  
Company's Trade Mark "SIMANCO.™" 1

Needles in Containers marked  
"FOR SINGER MACHINES"  
are NOT **SINGER** made needles. 2

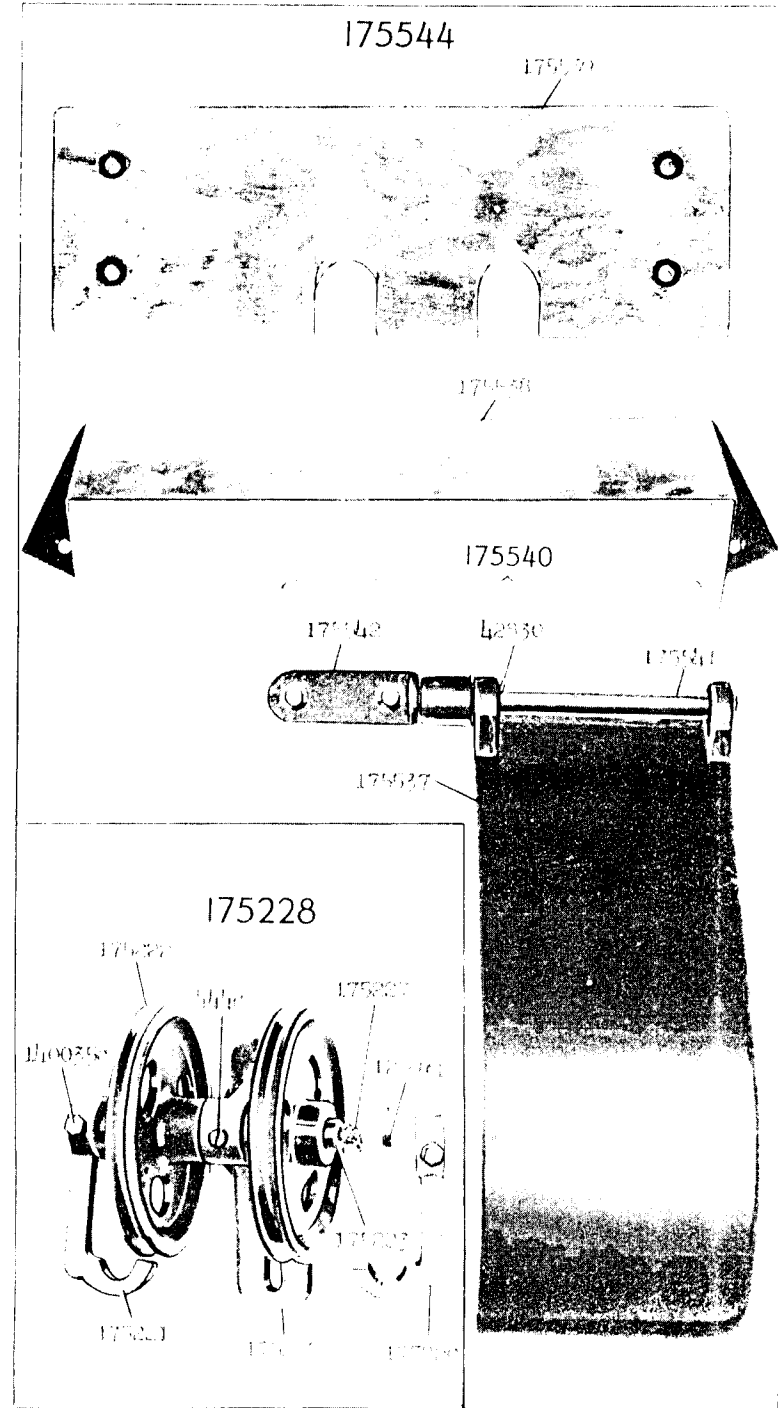
22862 - 1/2



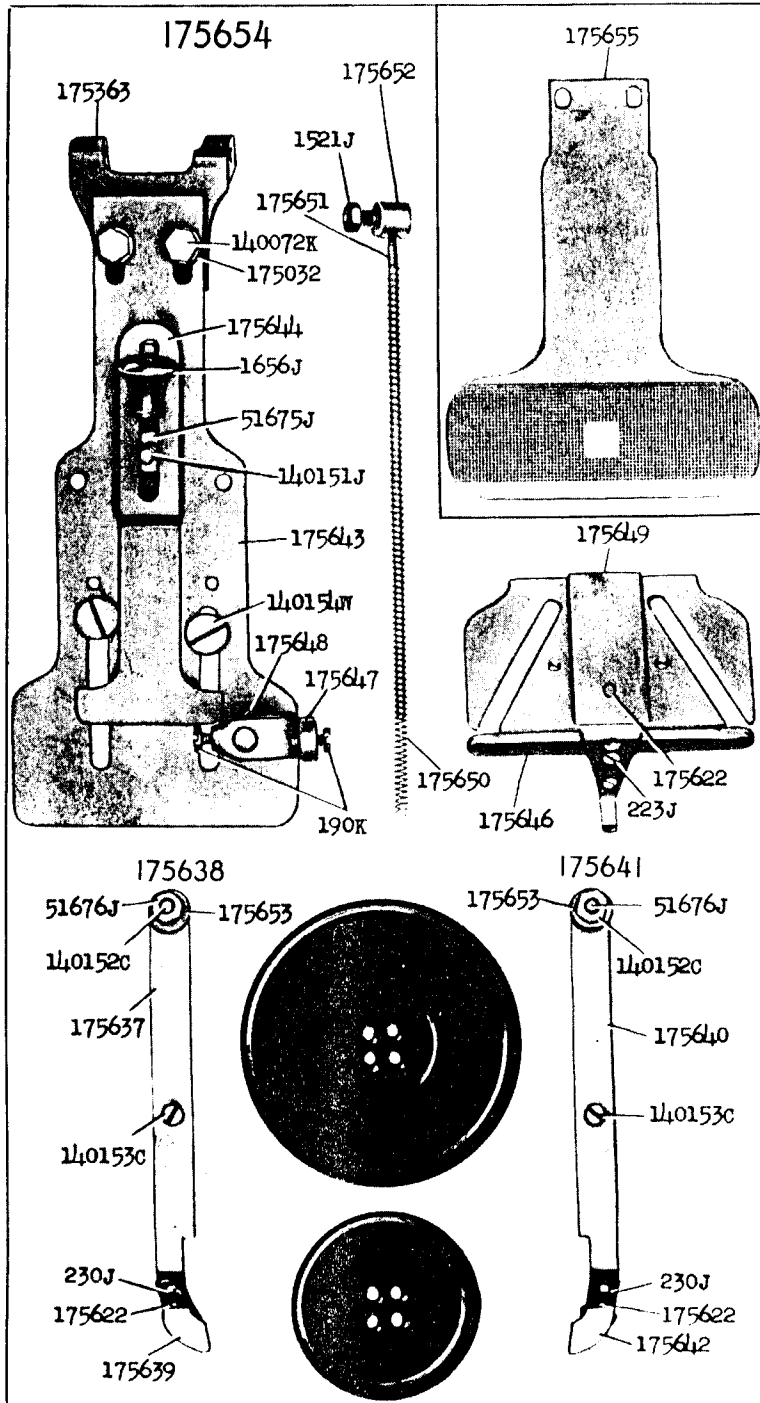
22884 - 1/2



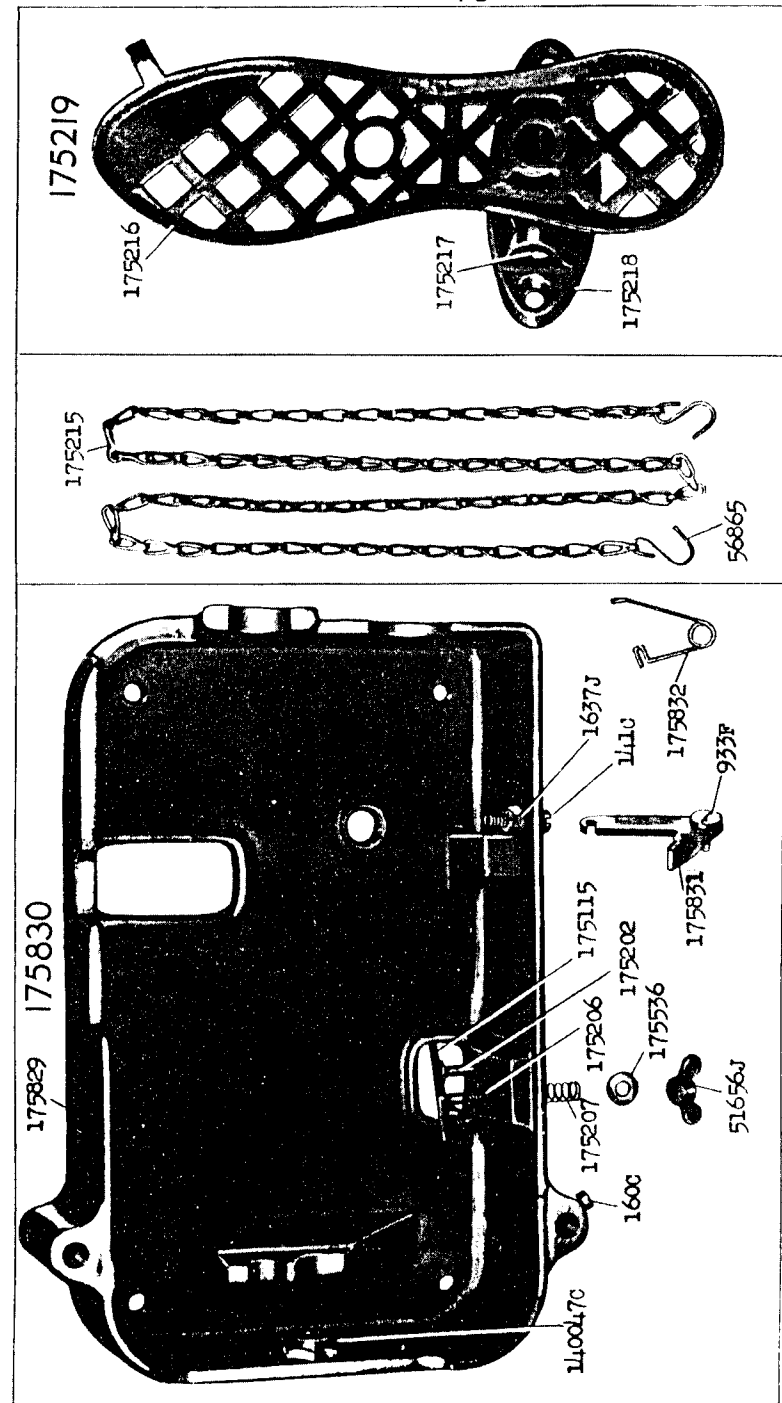
22885 - 1/3



22890 - 1/2

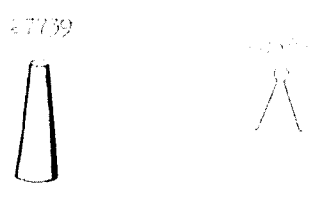
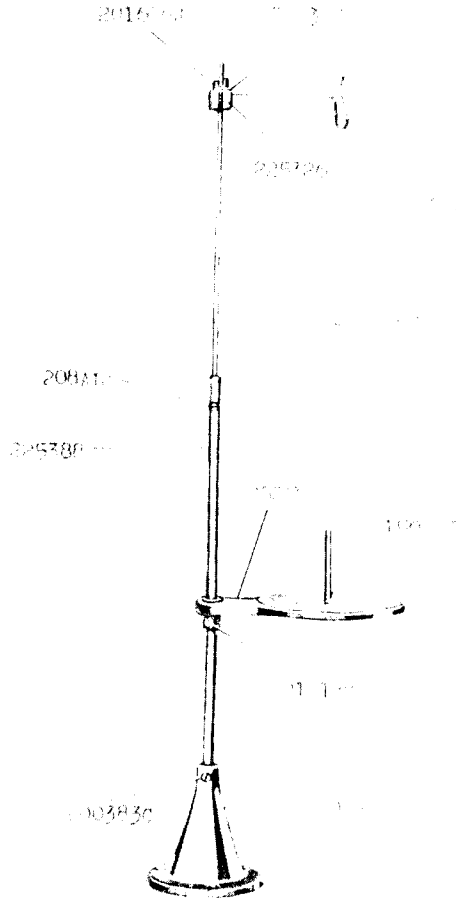


22892 - 1/3



22893 - 1/6

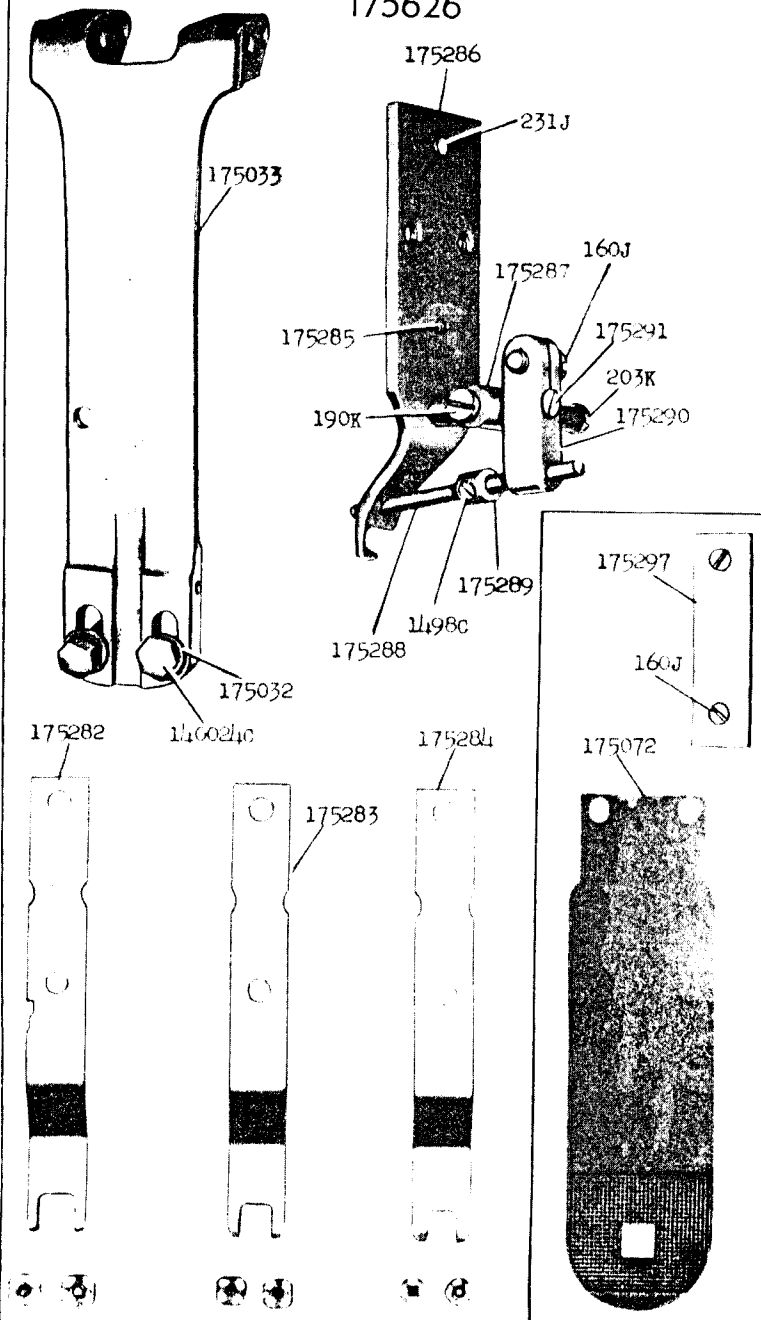
225260



22894 - 2/3

175-33

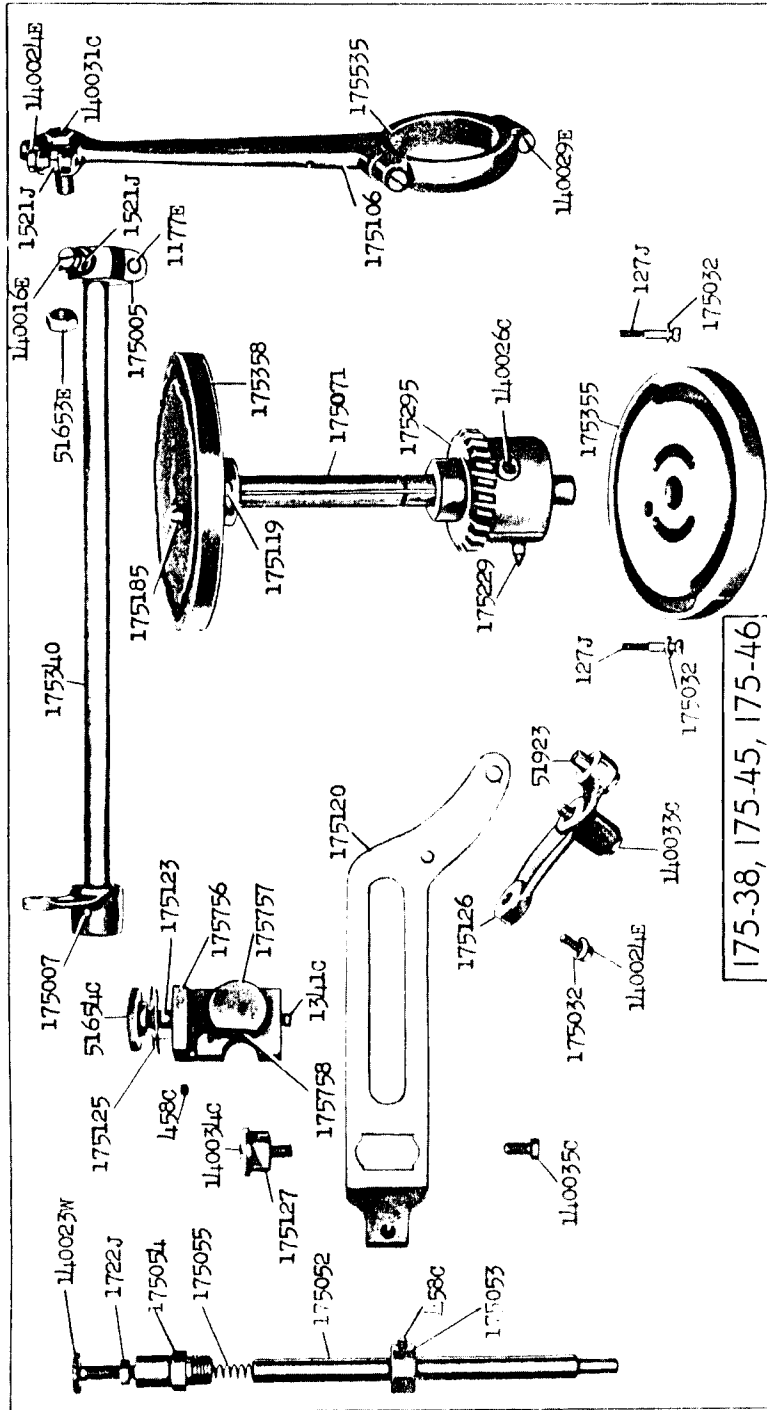
175626





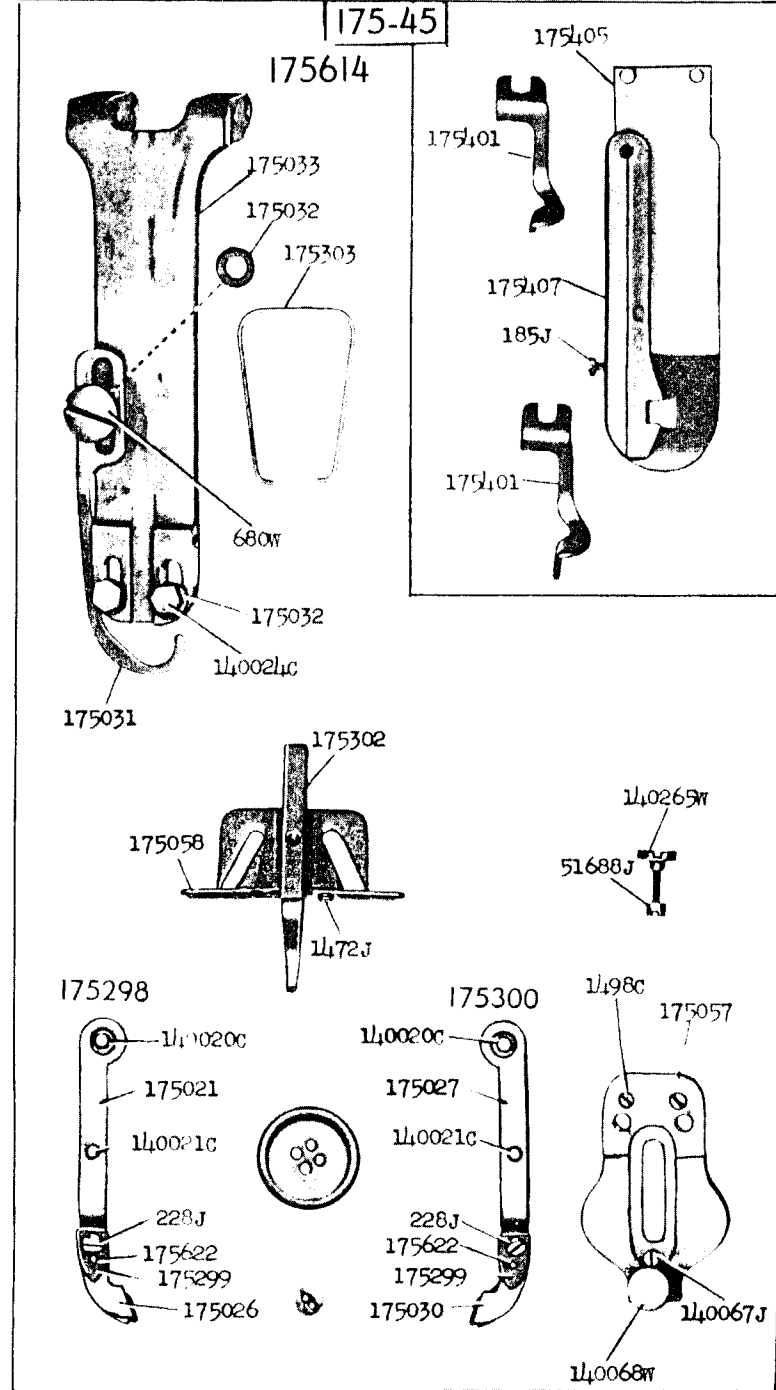


22899 - 1/3



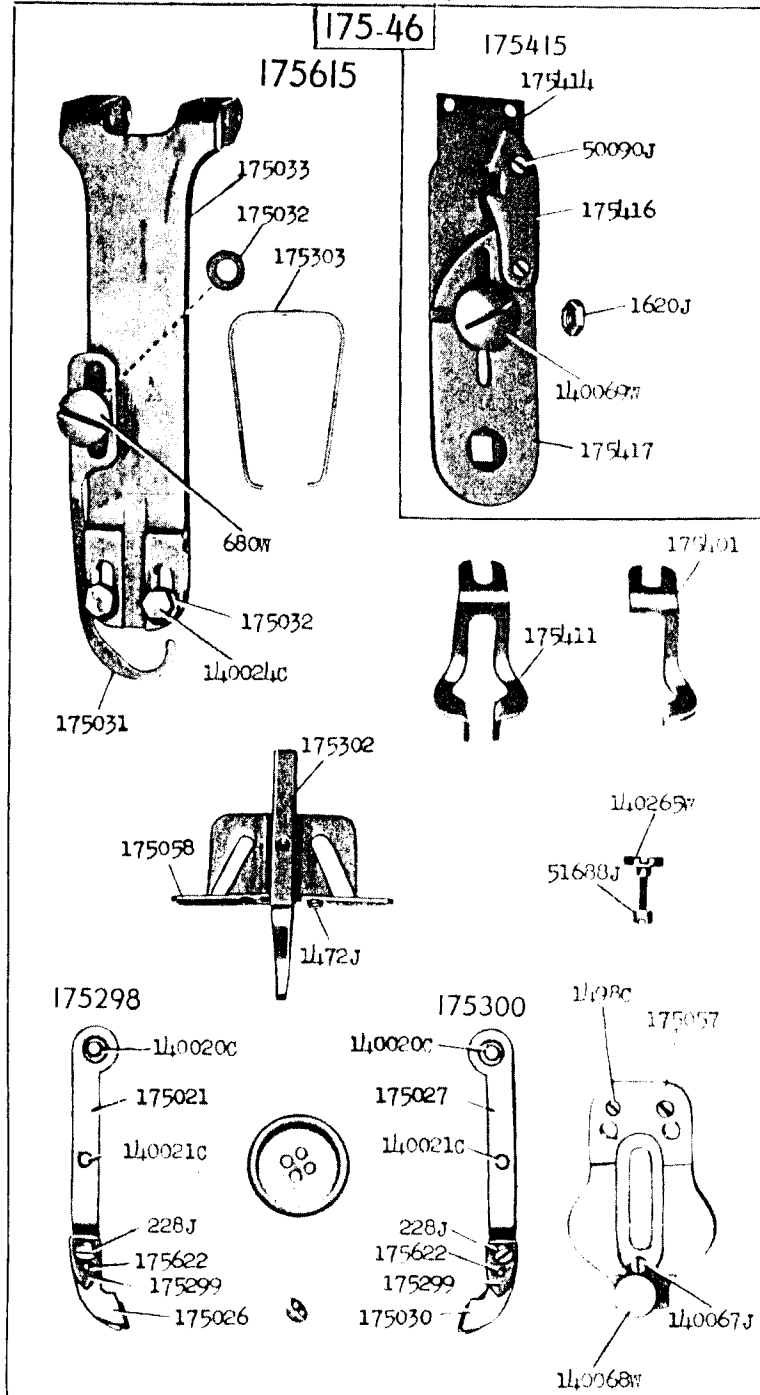
175-38, 175-45, 175-46

22900 - 1/2



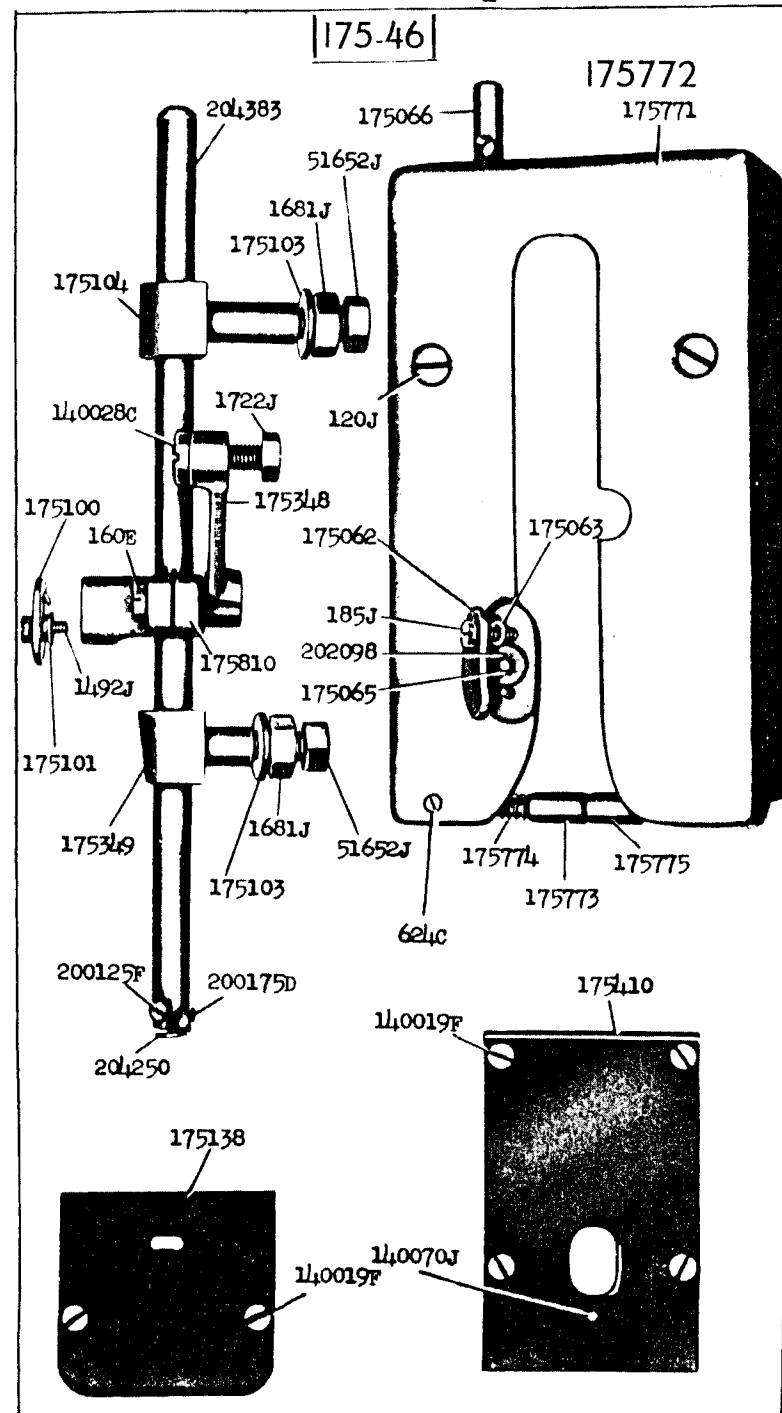
23301 - 1/2

175-46



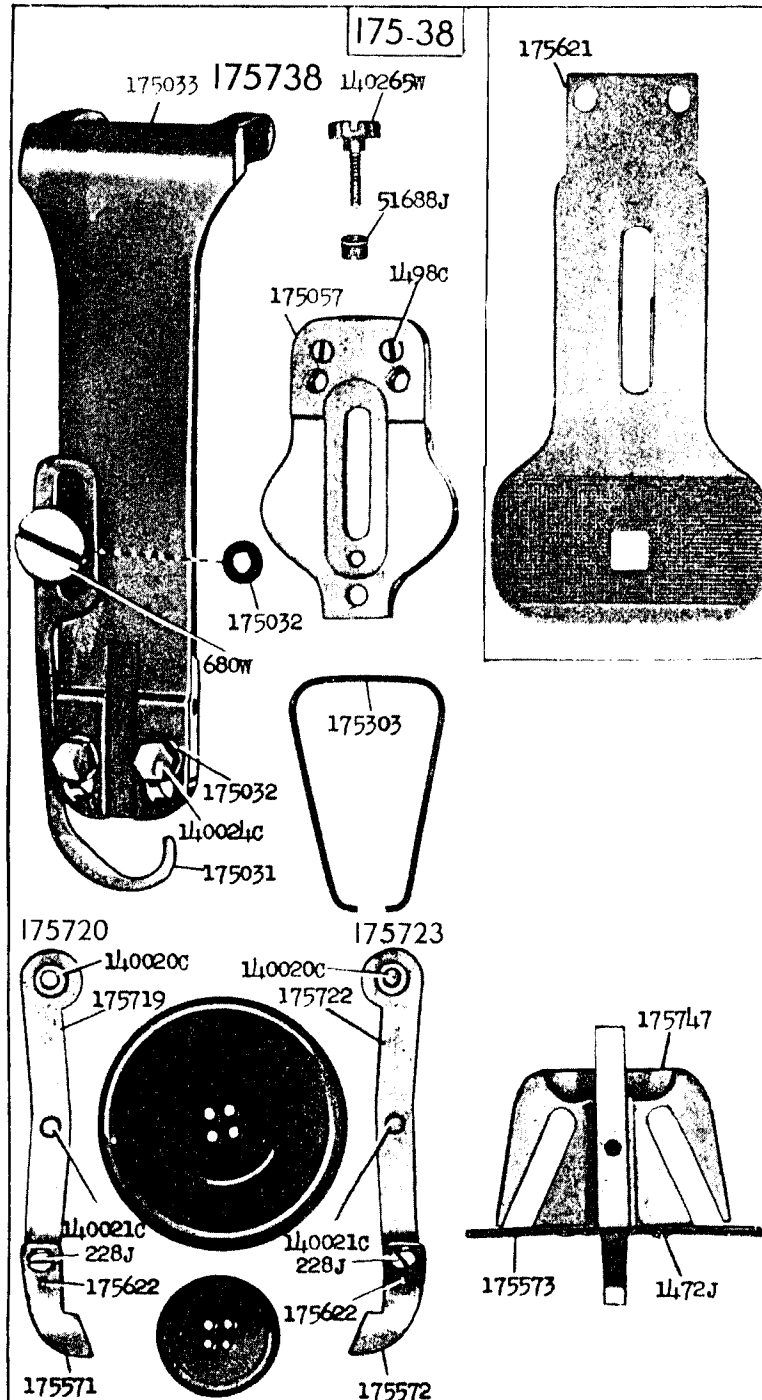
23302 - 1/2

175-46

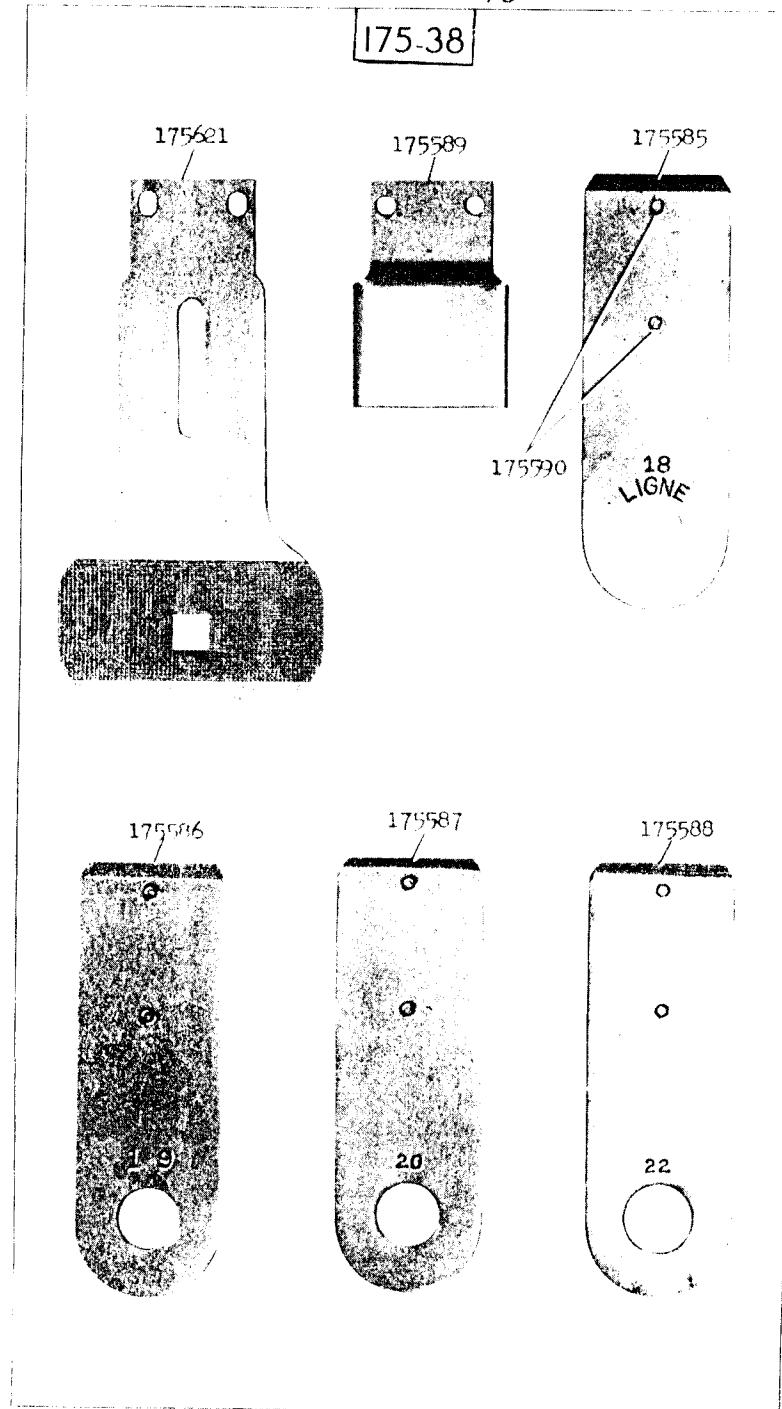




23303 - 2/3

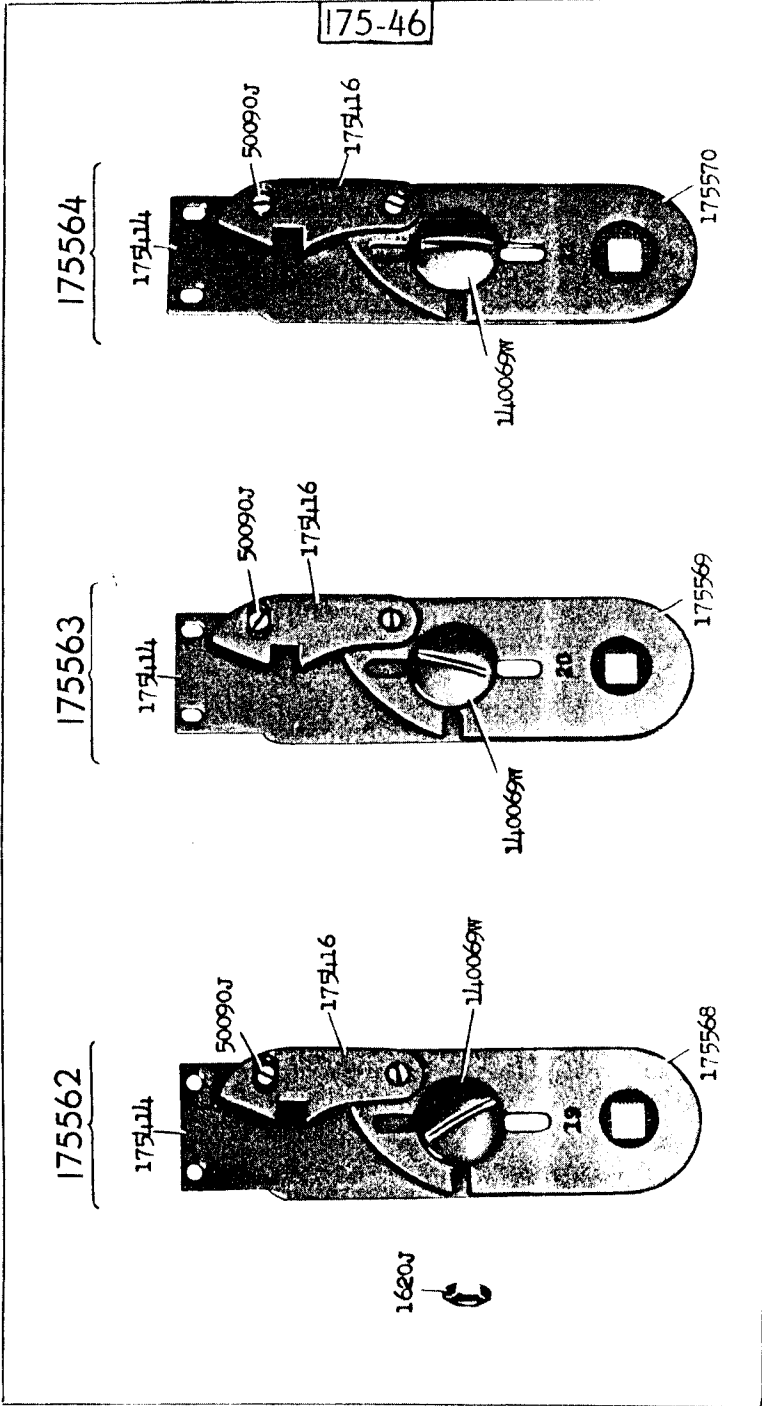


23304 - 2/3

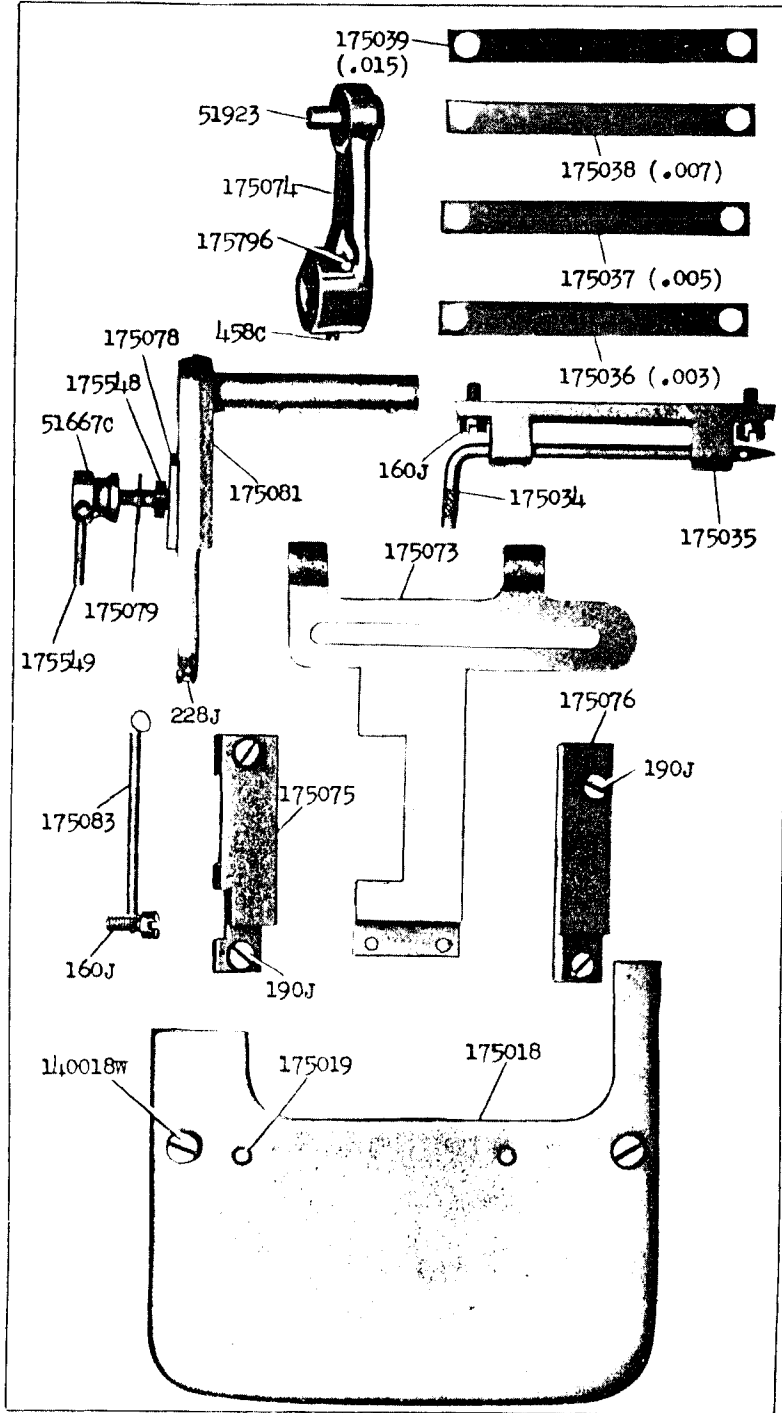


23305 - 2/3

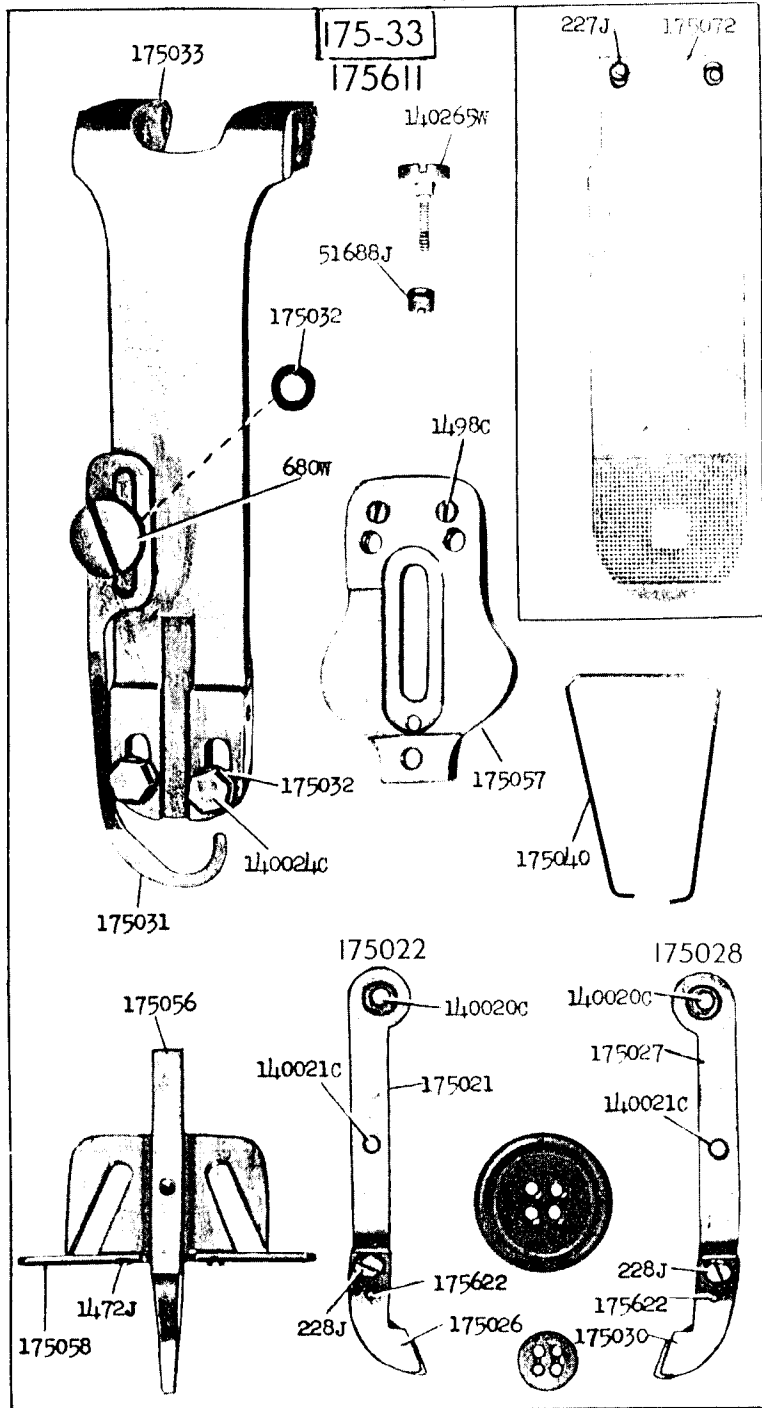
175-46



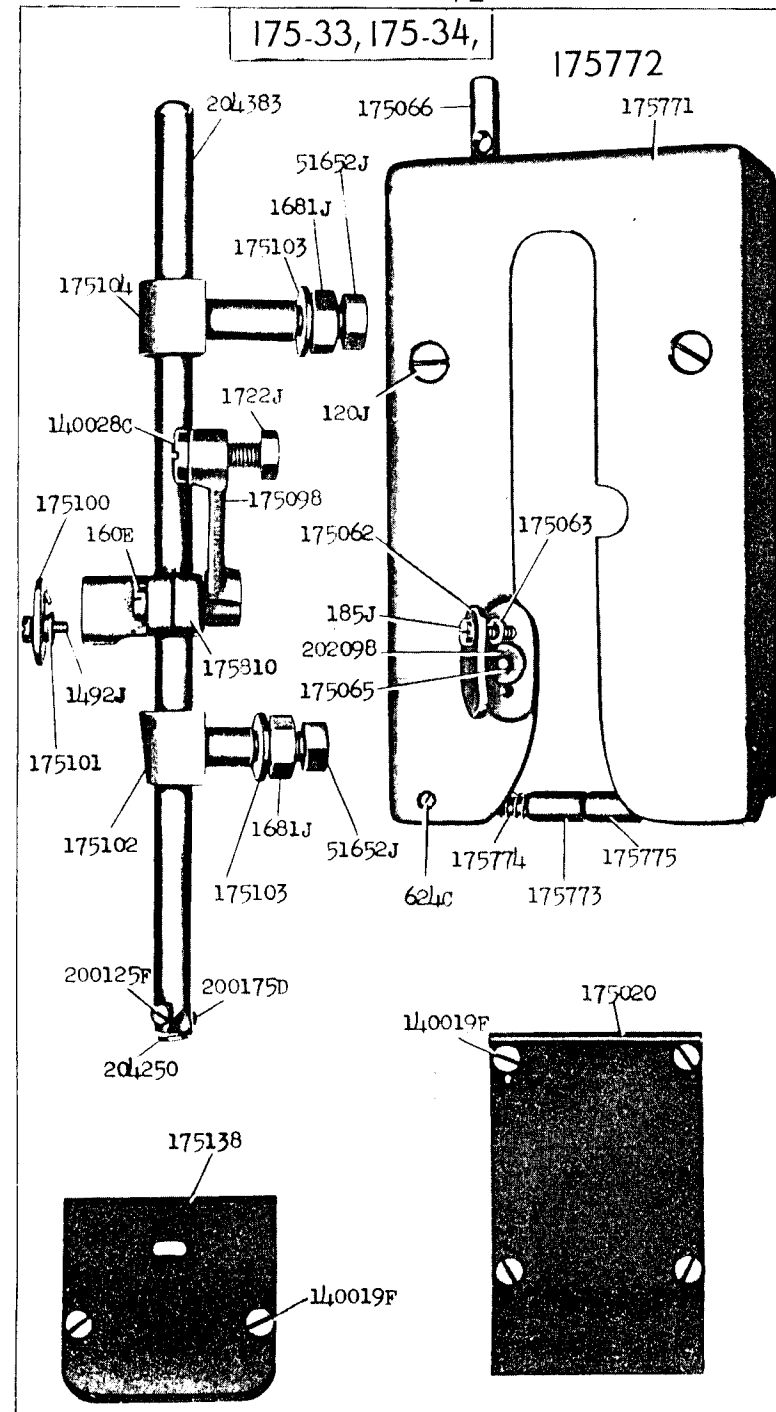
23306 - 1/2



23307 - 2/3



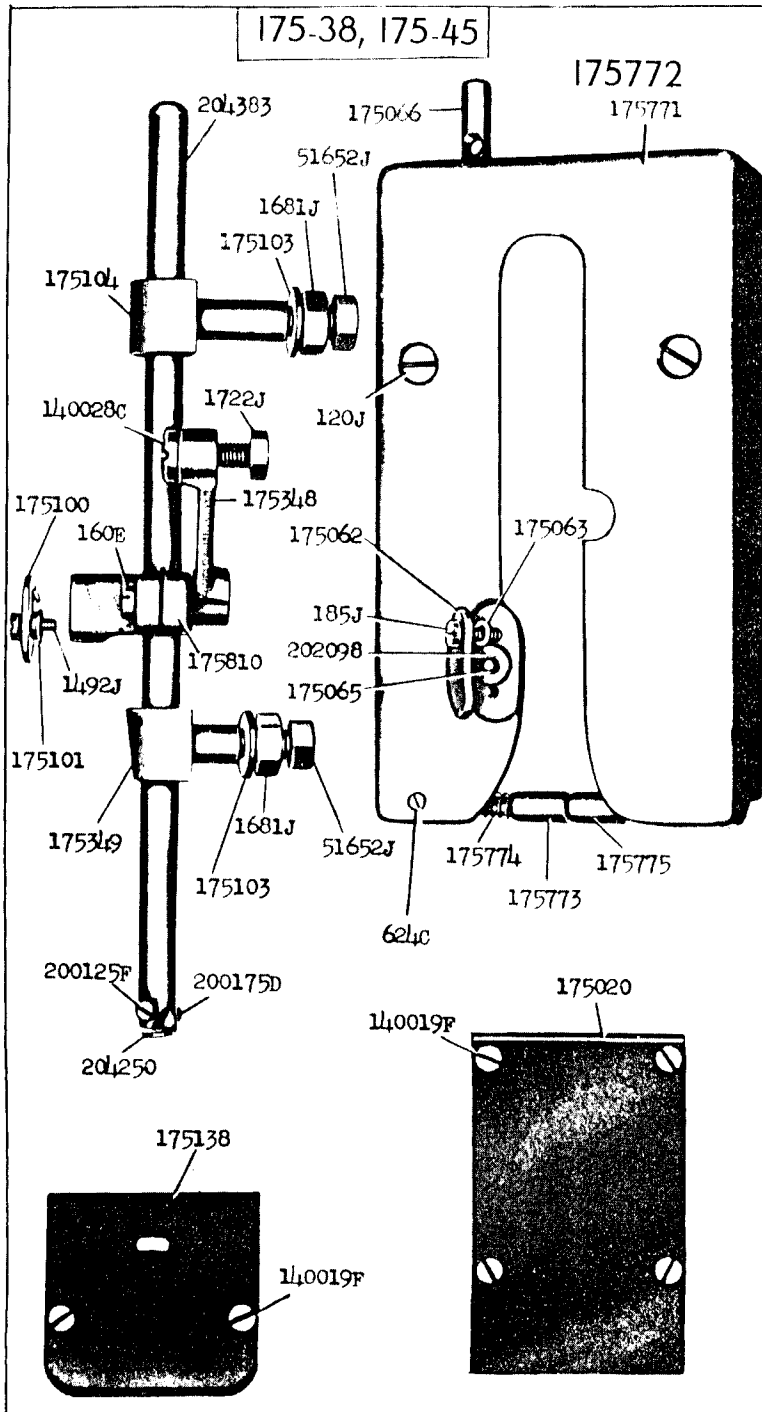
23308 - 1/2





23311 - 1/2

175-38, 175.45



23312 - 2/3

175-33

