

ILLUSTRATED PARTSLIST

FOR

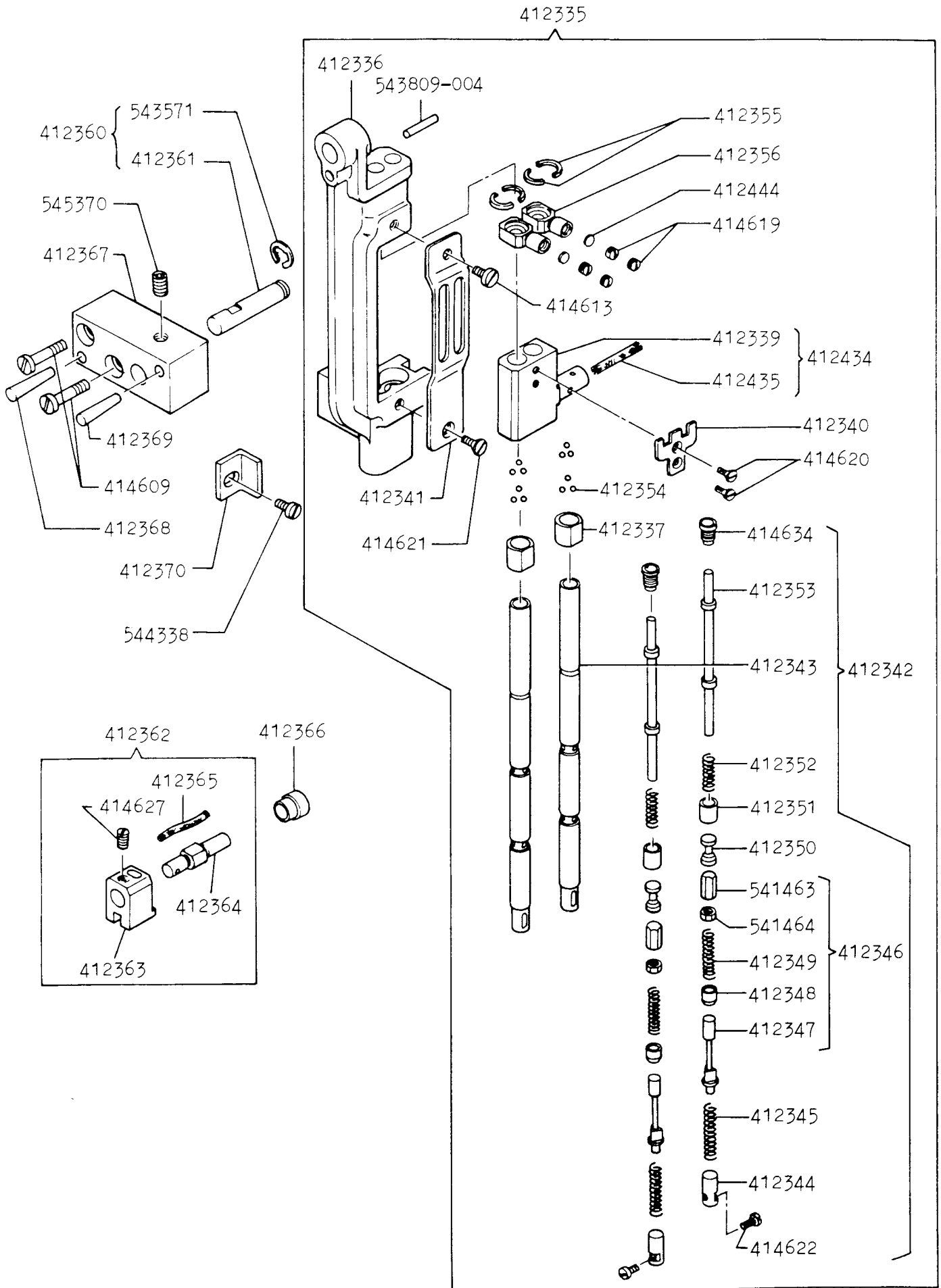
SINGER*

MACHINE

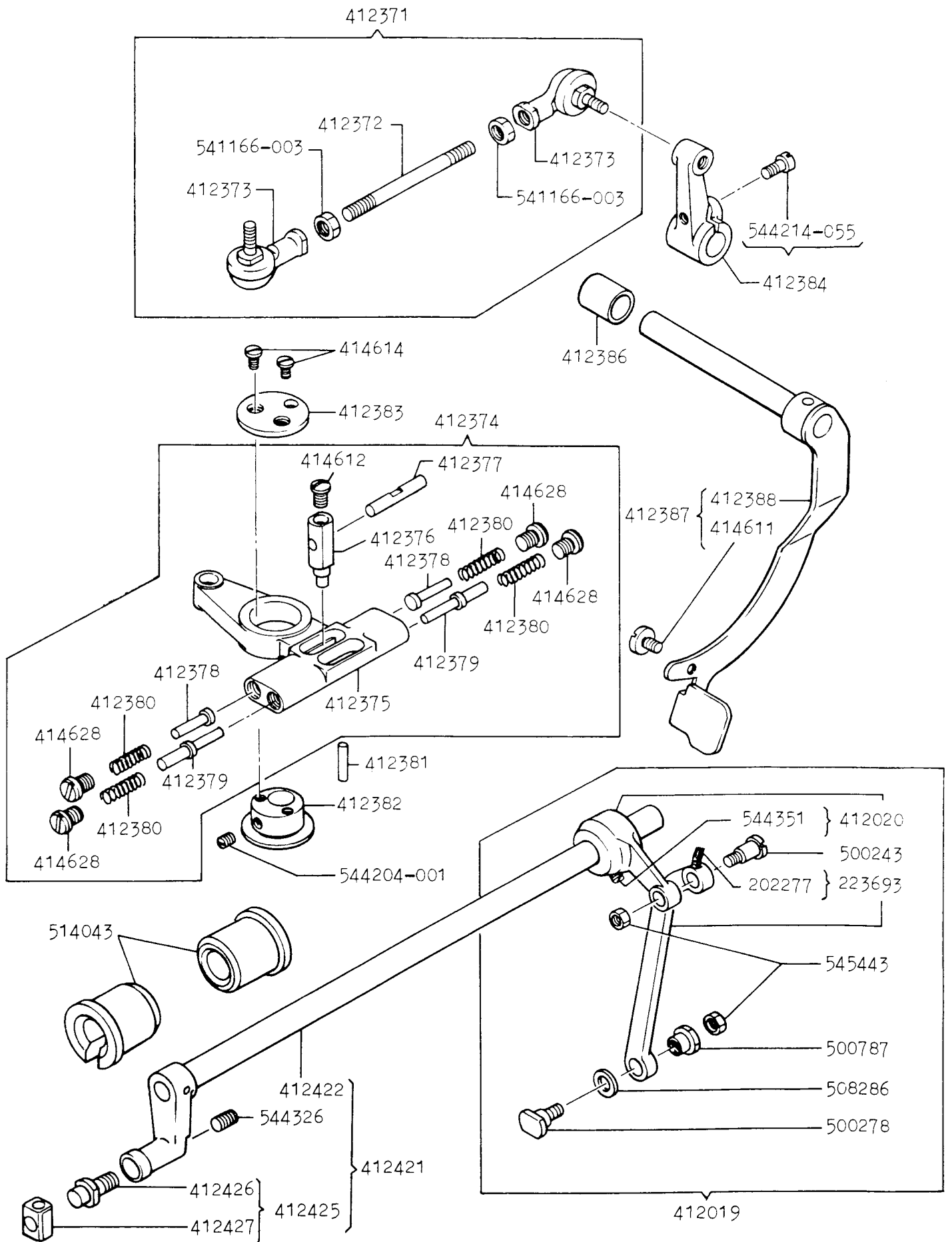
212U543A

SUPPLEMENTARY PARTS LIST FOR MACHINE 212U143A AND 212U543A
(Same as the complete list for 212U141A with the following
exceptions)

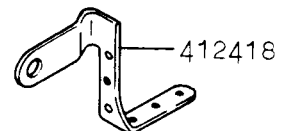
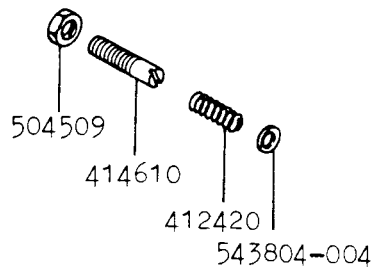
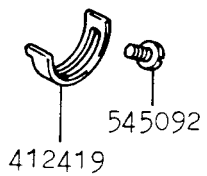
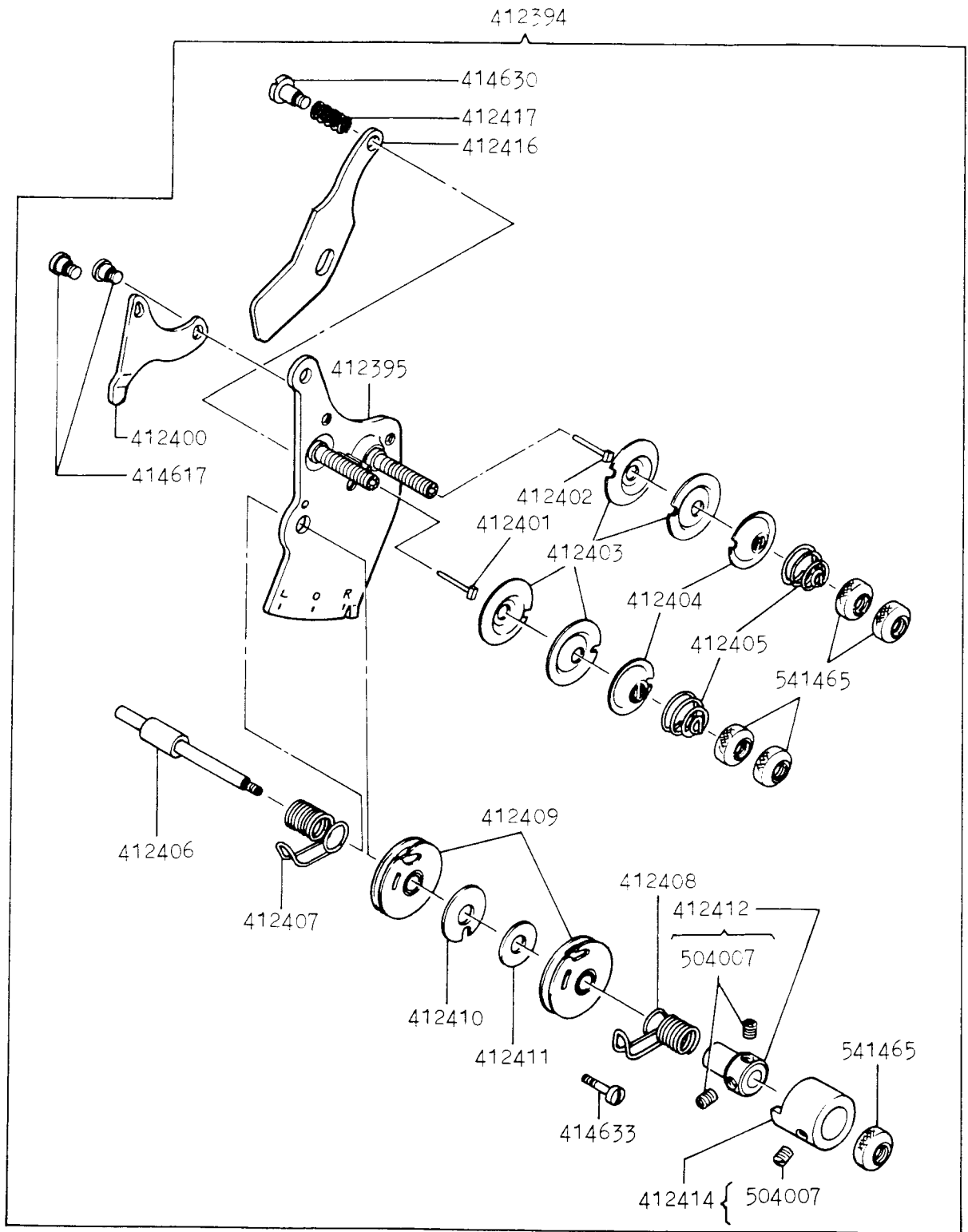
* A Trademark of THE SINGER COMPANY
Copyright © 1984 THE SINGER COMPANY
All Rights Reserved Throughout the World



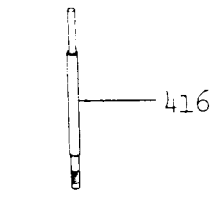
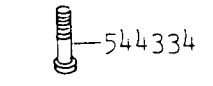
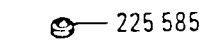
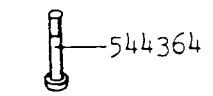
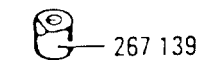
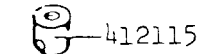
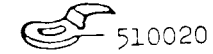
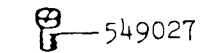
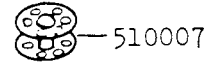
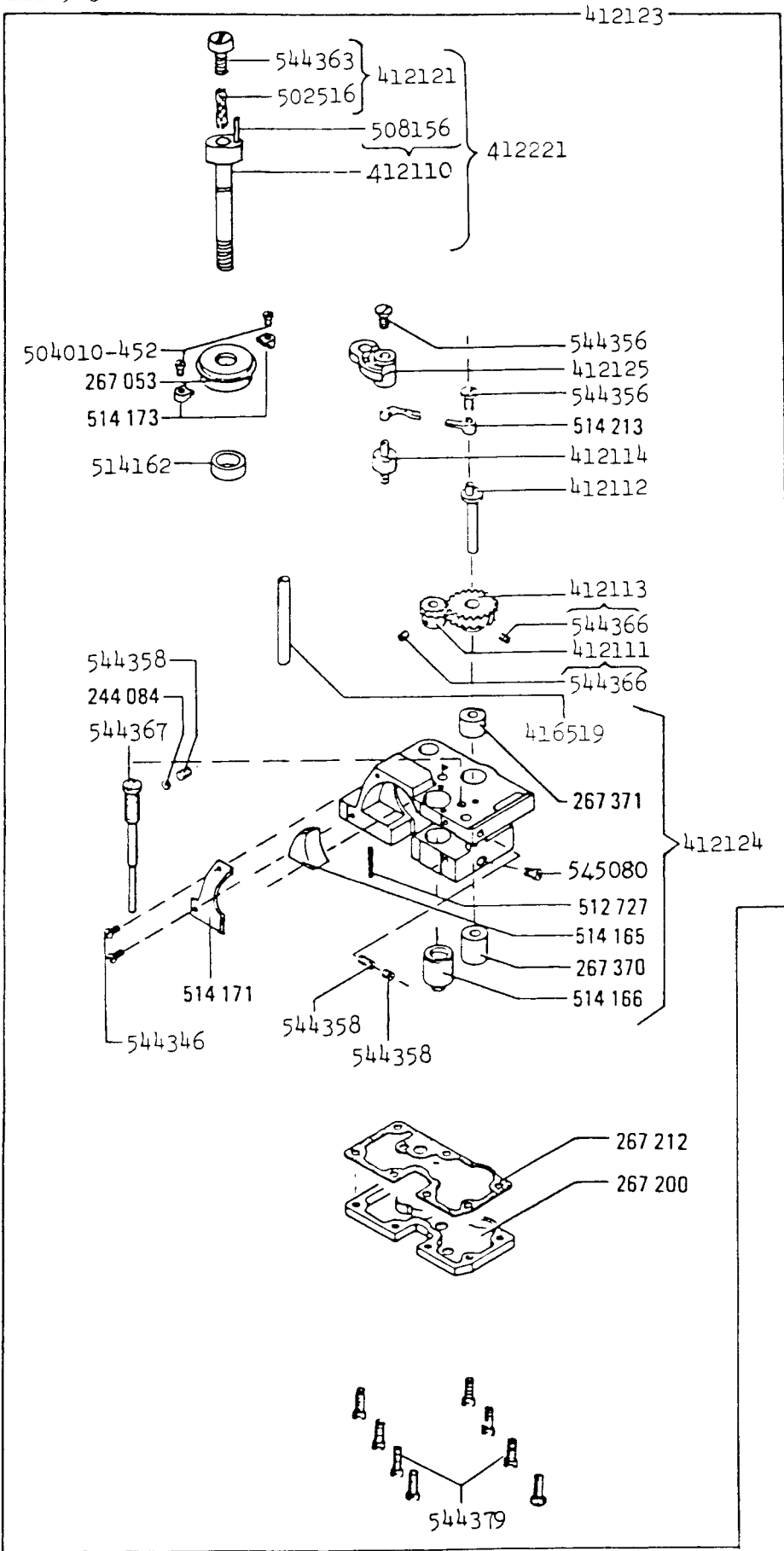
No.	212U141A 143A 144A 541A 543A 544A	Description
412335	- * * - * *	Needle Bar Rock Frame, Needle Bar, Needle Bar Connecting Stud Complete, 412336, 412337 (2), 412340, 412341, 412342 (2), 412355 (4), 412356 (2), 412434, 412444 (12), 414613, 414619 (4), 414620 (2), 414621, 543809-004
412336	- * * - * *	Needle Bar Rock Frame
412337	- * * - * *	Needle Bar Bushing (2)
412339	- * * - * *	Needle Bar Connecting Stud
412340	- * * - * *	Needle Bar Position Guide Bracket
412341	- * * - * *	Needle Bar Position Guide Plate
412342	- * * - * *	Needle Bar Complete (2), 412343, 412344, 412345, 412346, 412350, 412351, 412352, 412353, 414622, 414634
412343	- * * - * *	Needle Bar (2)
412344	- * * - * *	Needle Bar Liner (2)
412345	- * * - * *	Needle Bar Spring (2)
412346	- * * - * *	Steel Ball Guide Stud Complete (2), 412347, 412348, 412349, 541463, 541464
412347	- * * - * *	Steel Ball Guide Stud (2)
412348	- * * - * *	Steel Ball Guide Stud Slide Block (2)
412349	- * * - * *	Steel Ball Guide Stud Spring (2)
412350	- * * - * *	Steel Ball Guide Block (2)
412351	- * * - * *	Needle Stopping Stud Collar (2)
412352	- * * - * *	Needle Stopping Stud Spring (2)
412353	- * * - * *	Needle Stopping Stud (2)
412354	- * * - * *	Steel Ball (12)
412355	- * * - * *	Needle Bar Position Guide Ratchet (4)
412356	- * * - * *	Needle Bar Position Guide (2)
412360	- * * - * *	Needle Bar Rock Frame Hinge Stud Complete, 412361, 543571
412361	- * * - * *	Needle Bar Rock Frame Hinge Stud
412362	- * * - * *	Slide Block for Needle Stop Complete, 412363, 412364, 412365, 414627
412363	- * * - * *	Slide Block for Needle Stop
412364	- * * - * *	Slide Block Stud for Needle Stop
412365	- * * - * *	Slide Block Stud Wick for Needle Stop
412366	- * * - * *	Slide Block Stud Bushing for Needle Bushing
412367	- * * - * *	Needle Bar Rock Frame Bracket
412368	- * * - * *	Needle Bar Rock Frame Bracket Dowel Pin (short)
412369	- * * - * *	Needle Bar Rock Frame Bracket Dowel Pin (long)
412370	- * * - * *	Needle Bar Rock Frame Position Bracket
412434	- * * - * *	Needle Bar Connecting Stud Complete, 412339, 412435
412435	- * * - * *	Needle Bar Connecting Stud Wick
412444	- * * - * *	Needle Bar Position Guide Set Screw Liner (2)
414609	- * * - * *	Needle Bar Rock Frame Bracket Screw (2)
414613	- * * - * *	Needle Bar Position Guide Plate Screw (upper)
414619	- * * - * *	Needle Bar Position Guide Set Screw (4)
414620	- * * - * *	Needle Bar Position Guide Bracket Screw (2)
414621	- * * - * *	Needle Bar Position Guide Plate Screw (lower)
414622	- * * - * *	Needle Bar Liner Screw (2)
414627	- * * - * *	Slide Block Stud Set Screw for Needle Stop
414634	- * * - * *	Needle Bar Thumb Screw (2)
541463	- * * - * *	Steel Ball Guide Stud Nut (long) (2)
541464	- * * - * *	Steel Ball Guide Stud Nut (short) (2)
543571	- * * - * *	Needle Bar Rock Frame Hinge Stud Stop Ring
543809-004	- * * - * *	Needle Bar Rock Frame Pin
544338	- * * - * *	Needle Bar Rock Frame Position Bracket Screw
545370	- * * - * *	Needle Bar Rock Frame Hinge Stud Set Screw



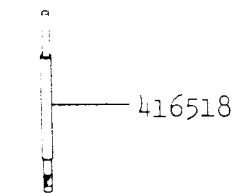
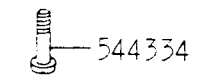
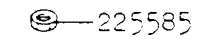
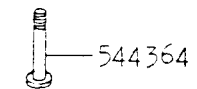
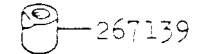
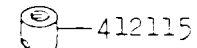
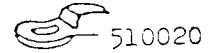
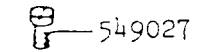
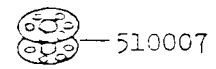
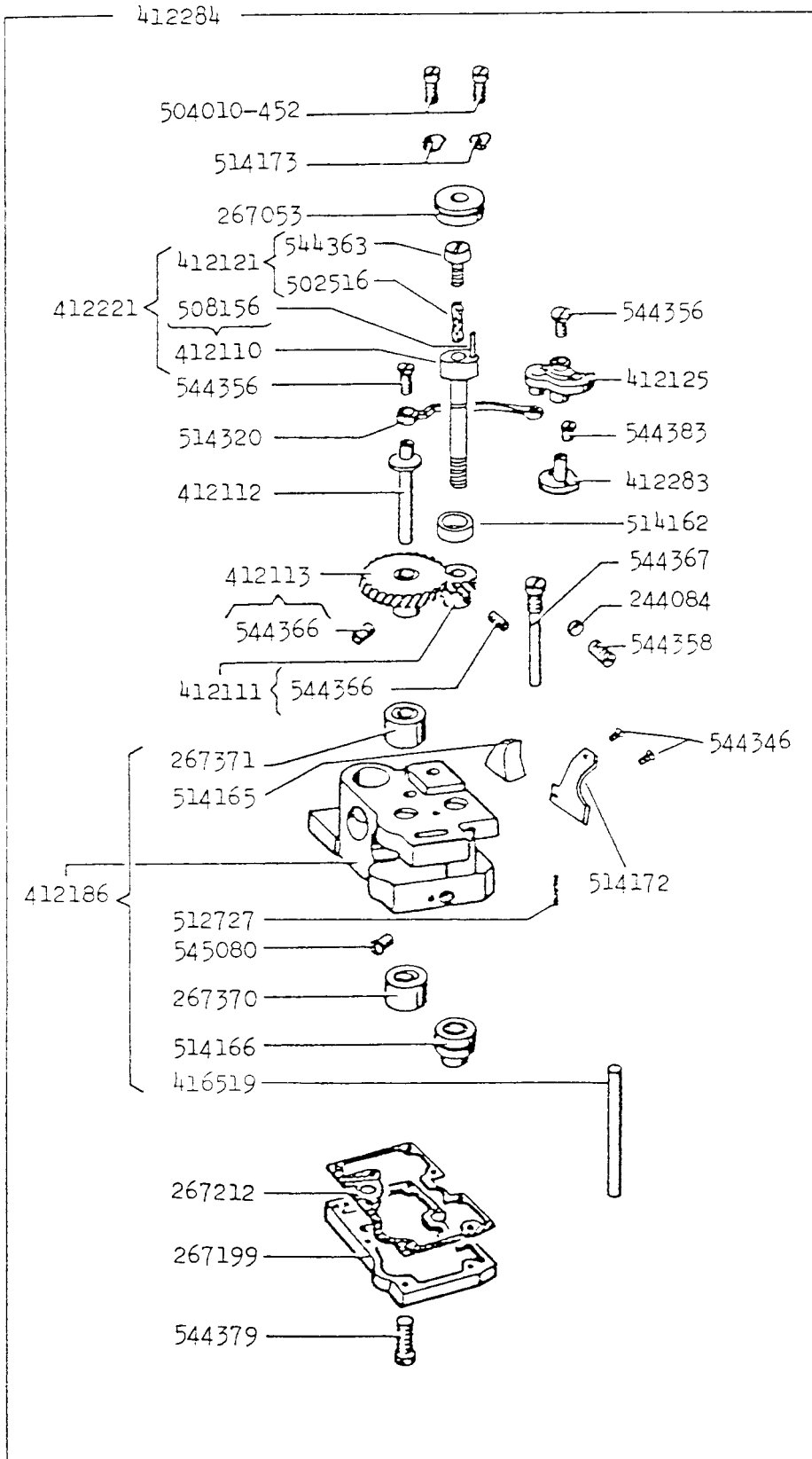
No.	212U141A 143A 144A 541A 543A 544A	Description
202277	- * * - * *	Needle Bar Rock Frame Rock Shaft Crank Connection Oil Wick
223693	- * * - * *	Needle Bar Rock Frame Rock Shaft Crank Connection with 202277
412019	- * * - * *	Needle Bar Rock Shaft Connection Link, Crank Complete 223693, 412020, 500243, 500278, 500787, 508286, 545443 (2)
412020	- * * - * *	Needle Bar Rock Shaft Connection Link Crank with 544351
412371	- * * - * *	Connecting Rod, Connecting Joint Complete, 412372, 412373 (2) 541166-003 (2)
412372	- * * - * *	Connecting Rod
412373	- * * - * *	Connecting Joint (2)
412374	- * * - * *	Needle Bar Change Over Frame Complete, 412375, 412376, 412377, 412378 (2), 412379 (2), 412380 (4), 414612, 414628 (4)
412375	- * * - * *	Needle Bar Change Over Frame
412376	- * * - * *	Needle Bar Change Over Frame Connection
412377	- * * - * *	Needle Bar Change Over Frame Connection Pin
412378	- * * - * *	Needle Bar Change Over Frame Guide Pin (short) (2)
412379	- * * - * *	Needle Bar Change Over Frame Guide Pin (long) (2)
412380	- * * - * *	Needle Bar Change Over Frame Spring (4)
412381	- * * - * *	Needle Bar Change Over Frame Pin
412382	- * * - * *	Needle Bar Change Over Frame Eccentric
412383	- * * - * *	Needle Bar Change Over Frame Cover Plate
412384	- * * - * *	Needle Bar Change Over Shaft Crank with 544214-055
412386	- * * - * *	Needle Bar Change Over Shaft Crank Collar
412387	- * - - * -	Needle Bar Change Over Lever Complete, 412388, 414611
412388	- * * - * *	Needle Bar Change Over Lever
412421	- * * - * *	Needle Bar Rock Frame Rock Shaft Complete, 412422, 412425, 544326
412422	- * * - * *	Needle Bar Rock Frame Rock Shaft
412425	- * * - * *	Needle Bar Rock Frame Rock Shaft Slide Block Complete 412426, 412427
412426	- * * - * *	Needle Bar Rock Frame Rock Shaft Slide Block Stud
412427	- * * - * *	Needle Bar Rock Frame Rock Shaft Slide Block
414611	- * * - * *	Needle Bar Change Over Lever Stop Screw
414612	- * * - * *	Needle Bar Change Over Frame Connection Screw
414614	- * * - * *	Needle Bar Change Over Frame Cover Plate Screw (2)
414628	- * * - * *	Needle Bar Change Over Frame Thumb Screw (4)
500243	- * * - * *	Needle Bar Rock Shaft Crank Hinge Screw
500278	- * * - * *	Needle Bar Rock Shaft Crank Link Slide Screw
500787	- * * - * *	Needle Bar Rock Shaft Crank Link Slide Screw Nut
508286	- * * - * *	Needle Bar Rock Shaft Crank Link Slide Screw Spacer
514043	- * * - * *	Needle Bar Rock Shaft Bushing (2)
541166-003	- * * - * *	Connecting Rod Nut (2)
544204-001	- * * - * *	Needle Bar Change Over Frame Eccentric Set Screw
544214-055	- * * - * *	Needle Bar Change Over Shaft Crank Pinch Screw
544326	- * * - * *	Needle Bar Rock Frame Rock Shaft Slide Block Stud Check Screw
544351	- * * - * *	Needle Bar Rock Shaft Connection Link Crank Pinch Screw
545443	- * * - * *	Needle Bar Rock Shaft Crank Link Slide Screw Lock Nut (2)



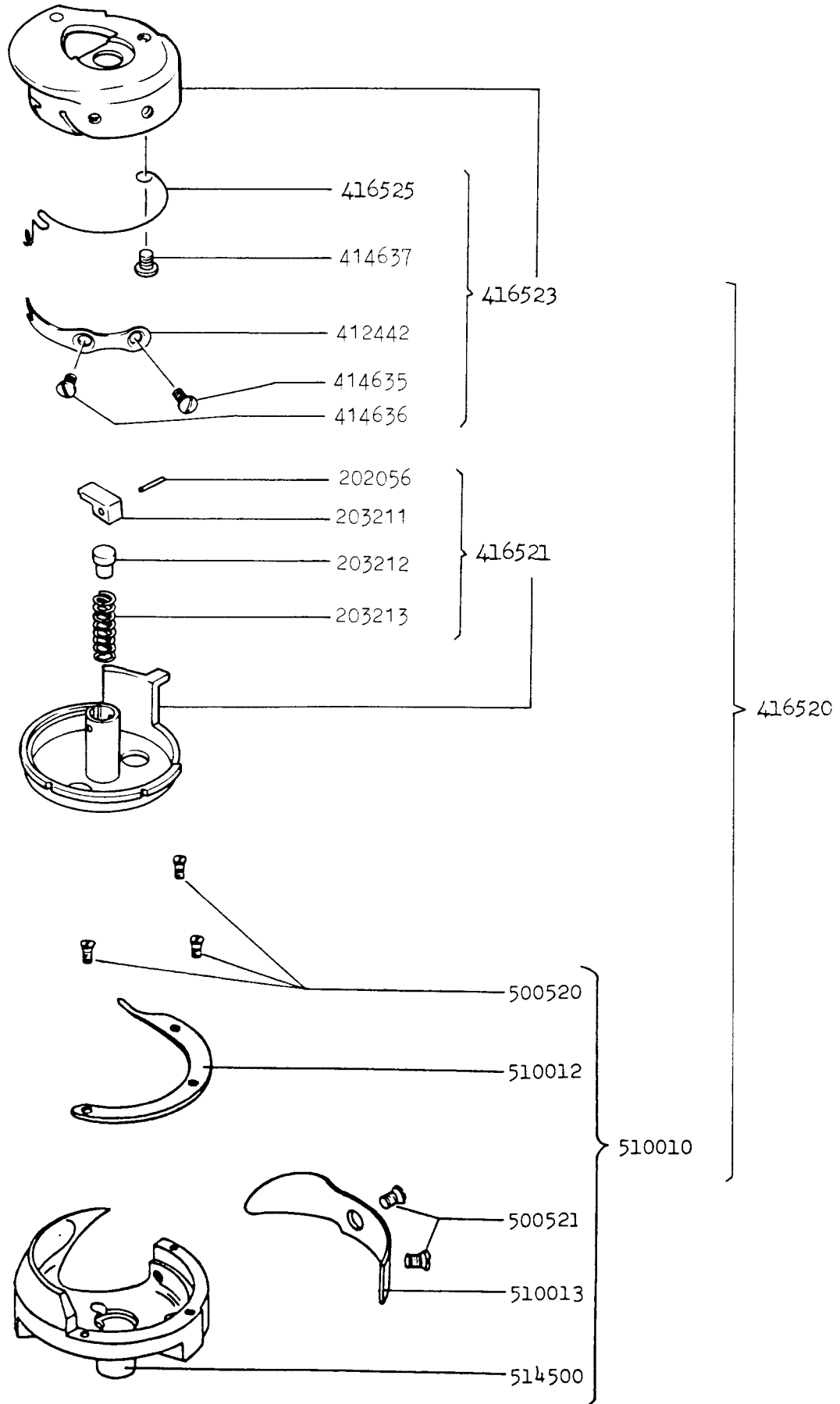
No.	212U141A 143A 144A 541A 543A 544A	Description
412394	- * - - * -	Tension Bracket and Releasing Lever Complete, 412395, 412400, 412401, 412402, 412403 (4), 412404 (2), 412405 (2), 412406, 412407, 412408, 412409 (2), 412410, 412411, 412412, 412414, 412416, 412417, 414617, 414630, 414633, 541465 (4), 541465
412395	- * * - * *	Tension Bracket
412400	- * * - * *	Tension Release Lever
412401	- * * - * *	Tension Release Plunger (short)
412402	- * * - * *	Tension Release Plunger (long)
412403	- * * - * *	Tension Disc (4)
412404	- * * - * *	Tension Release Washer (2)
412405	- * * - * *	Tension Spring (2)
412406	- * * - * *	Thread Controller Stud
412407	- * * - * *	Thread Controller Spring (back)
412408	- * * - * *	Thread Controller Spring (front)
412409	- * * - * *	Thread Controller Disc
412410	- * * - * *	Thread Controller Disc Washer (large)
412411	- * * - * *	Thread Controller Disc Washer (small)
412412	- * * - * *	Thread Controller Stud Collar with 504007 (2)
412414	- * * - * *	Thread Controller Spring Cover with 504007
412416	- * - - * -	Releasing Lever
412417	- * - - * -	Releasing Lever Hinge Screw Spring
412418	- * * - * *	Thread Retainer
412419	- * * - * *	Thread Controller Spring Stop
412420	- * - - * -	Releasing Lever Stud Spring
414610	- * - - * -	Releasing Lever Stud
414617	- * * - * *	Tension Release Lever Hinge Screw (2)
414630	- * - - * -	Releasing Lever Hinge Screw
414633	- * * - * *	Thread Controller Disc Screw
504007	- * * - * *	Thread Controller Stud Collar Set Screw (2)
504007	- * * - * *	Thread Controller Spring Cover Set Screw
504509	- * - - * -	Releasing Lever Stud Nut
541465	- * * - * *	Tension Thumb Nut (4)
541465	- * * - * *	Tension Controller Spring Cover Thumb Nut
543804-004	- * - - * -	Releasing Lever Stud Washer
545092	- * * - * *	Thread Controller Spring Stop Screw



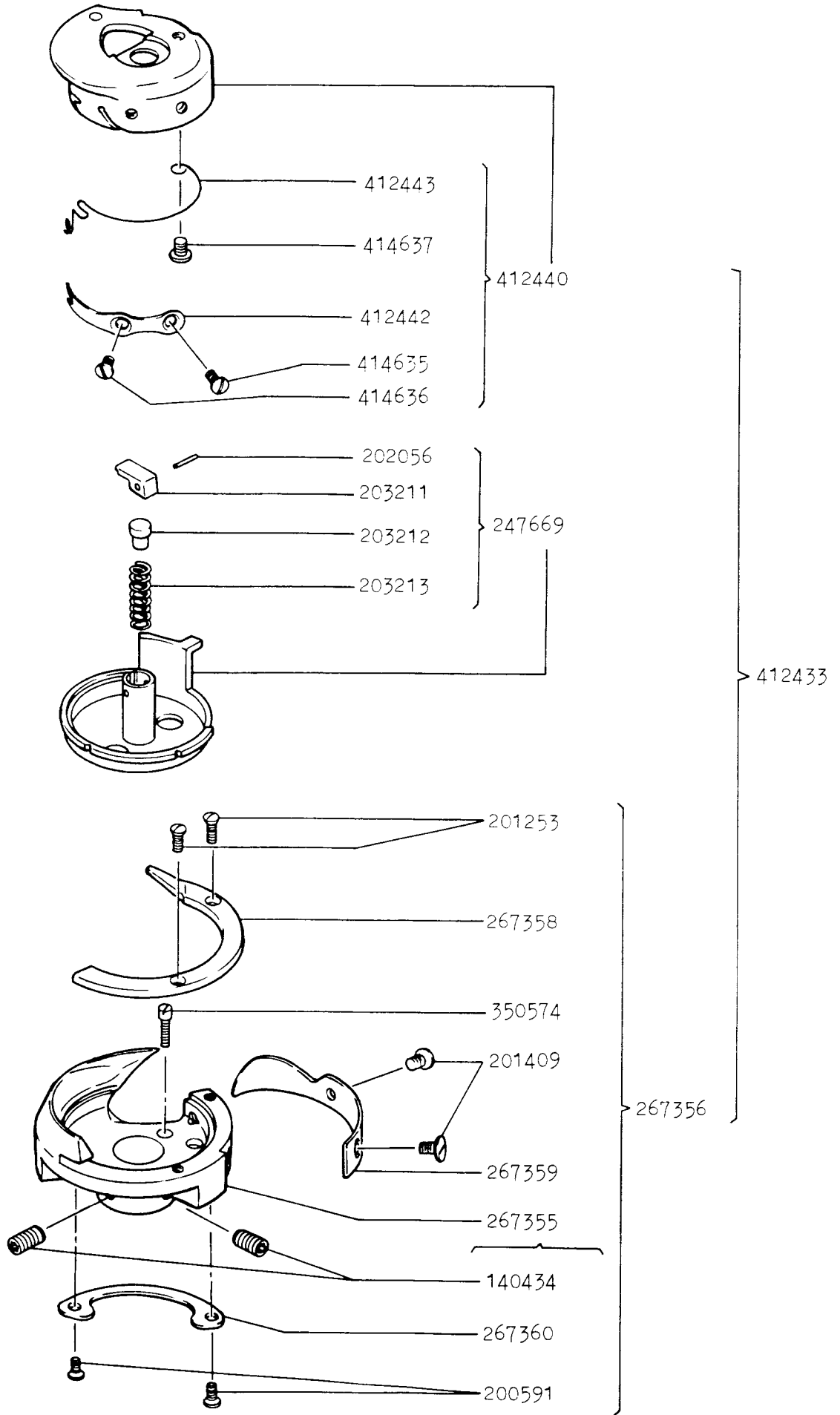
No.	212U141A 143A 144A 541A 543A 544A	Description
225585	* * * * *	Hook Saddle Screw Washer
224084	* * * * *	Hook Saddle Oil Regulating Screw Check Screw Packing
267053	* * * * *	Hook Ball Bearing
267139	* * * * *	Pinch Sleeve (lower)
267200	* * * * *	Hook Saddle Oil Reservoir
267212	* * * * *	Hook Saddle Oil Reservoir Gasket
267370	* * * * *	Bobbin Case Opener Driving Cam Shaft Bushing (lower)
267371	* * * * *	Bobbin Case Opener Driving Cam Shaft Bushing (upper)
412110	- - - * * *	Hook Shaft with 508156
412111	- - - * * *	Hook Driving Pinion (Spiral) with 544366 (2)
412112	* * * * *	Bobbin Case Opener Cam Shaft
412113	* * * * *	Bobbin Case Opener Driving Cam Shaft Gear (Spiral) with 544366 (2)
412114	- - - * * *	Bobbin Case Opener Crank Hinge Stud
412115	* * * * *	Pinch Sleeve (upper)
412121	- - - * * *	Hook Shaft Oil Wick Holder Complete 502516, 544363
412123	- - - * * *	Hook Saddle (right) Complete 244084, 267053, 267200, 267212, 412111, 412112, 412113, 412114, 412124, 412125, 412221, 504010-452 (2), 514162, 514171, 514173 (2), 514213, 544346 (2), 544356 (2), 544358 (3), 544367, 544379 (8)
412124	* * * * *	Hook Saddle (right) with 267370, 267371, 416519, 512727, 514165, 514166, 545080
412125	- - - * * *	Bobbin Case Opener Crank
412221	- - - * * *	Hook Shaft, Hook Shaft Oil Wick Holder Complete 412110, 412121
416518	* * * * *	Hook Saddle Oil Gauge
416519	* * * * *	Hook Saddle Oil Gauge Sleeve
502516	- - - * * *	Hook Shaft Oil Wick
504010-452	* * * * *	Hook Ball Bearing Retainer Screw (2)
508156	- - - * * *	Hook Shaft Parallel Pin
510007	- - - * * *	Bobbin
510020	- - - * * *	Bobbin Case Opener
512727	* * * * *	Hook Saddle Oil Wick
514162	- - - * * *	Spacer
514165	* * * * *	Hook Saddle Foam Cushion
514166	* * * * *	Hook Shaft Bushing
514170	- - - * * *	Hook Spacer (7)
514171	* * * * *	Hook Saddle Cover Plate
514173	* * * * *	Hook Ball Bearing Retainer (2)
514213	* * * * *	Bobbin Case Opener Link
544334	* * * * *	Hook Saddle Screw
544346	* * * * *	Hook Saddle Cover Plate Screw (2)
544356	* * * * *	Bobbin Case Opener Crank Cap Screw
544356	* * * * *	Bobbin Case Opener Link Cap Screw
544358	* * * * *	Hook Saddle Oil Regulating Screw Check Screw
544358	* * * * *	Bobbin Case Opener Crank Hinge Stud Set Screw
544358	* * * * *	Bobbin Case Opener Crank Hinge Stud Set Screw Check Screw
544363	- - - * * *	Hook Shaft Oil Wick Holder
544364	* * * * *	Pinch Sleeve Screw
544366	* * * * *	Bobbin Case Opener Driving Cam Shaft Gear (Spiral) Set Screw (2)
544366	* * * * *	Hook Driving Pinion (Spiral) Set Screw (2)
544367	* * * * *	Hook Saddle Oil Regulating Screw
544379	* * * * *	Hook Saddle Oil Reservoir Screw (8)
545080	* * * * *	Hook Saddle Oil Stop Screw
549027	* * * * *	Bobbin Case Opener Screw



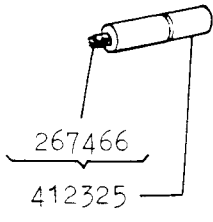
No.	212U 141A 143A 144A 541A 543A 544A	Description
225585	* * * * *	Hook Saddle Screw Washer
244084	* * * * *	Hook Saddle Oil Regulating Screw Check Screw Packing
267053	* * * * *	Hook Ball Bearing
267139	* * * * *	Pinch Sleeve (lower)
267199	* * * * *	Hook Saddle Oil Reservoir (left)
267212	* * * * *	Hook Saddle Oil Reservoir Gasket
267370	* * * * *	Bobbin Case Opener Driving Cam Shaft Bushing (lower)
267371	* * * * *	Bobbin Case Opener Driving Cam Shaft Bushing (upper)
412110	- - - * * *	Hook Shaft with 508156
412111	- - - * * *	Hook Driving Pinion (Spiral) with 544366 (2)
412112	* * * * *	Bobbin Case Opener Cam Shaft
412113	* * * * *	Bobbin Case Opener Driving Cam Shaft Gear (Spiral) with 544366 (2)
412115	* * * * *	Pinch Sleeve (upper)
412121	- - - * * *	Hook Shaft Oil Wick Holder Complete 502516, 544363
412125	- - - * * *	Bobbin Case Opener Crank
412186	* * * * *	Hook Saddle (left) with 267370, 267371, 416519, 545080, 512727, 514165
412221	- - - * * *	Hook Shaft, Hook Shaft Oil Wick Holder Complete 412110, 412121
412283	- - - * * *	Bobbin Case Opener Crank Hinge Stud (left)
412284	- - - * * *	Hook Saddle (left) Complete 244084, 267053, 267199, 267212, 412111, 412112, 412113, 412125, 412186, 412221, 412283, 504010-452 (2), 514162, 514172, 514173 (2), 514320, 544346 (2), 544356 (2), 544358, 544367, 544379 (8), 544383
416518	* * * * *	Hook Saddle Oil Gauge
416519	* * * * *	Hook Saddle Oil Gauge Sleeve
502516	- - - * * *	Hook Shaft Oil Wick
504010-452	* * * * *	Hook Ball Bearing Retainer Screw (2)
508156	- - - * * *	Hook Shaft Parallel Pin
510007	- - - * * *	Bobbin
510020	- - - * * *	Bobbin Case Opener
512727	* * * * *	Hook Saddle Oil Wick
514162	- - - * * *	Spacer
514165	* * * * *	Hook Saddle Foam Cushion
514166	* * * * *	Hook Shaft Bushing
514170	- - - * * *	Hook Spacer (7)
514172	* * * * *	Hook Saddle Cover Plate
514173	* * * * *	Hook Ball Bearing Retainer (2)
514320	* * * * *	Bobbin Case Opener Link (left)
544334	* * * * *	Hook Saddle Screw
544346	* * * * *	Hook Saddle Cover Plate Screw (2)
544356	* * * * *	Bobbin Case Opener Crank Cap Screw
544356	* * * * *	Bobbin Case Opener Link Cap Screw
544358	* * * * *	Hook Saddle Oil Regulating Screw Check Screw
544363	- - - * * *	Hook Shaft Oil Wick Holder
544364	* * * * *	Pinch Sleeve Screw
544366	* * * * *	Bobbin Case Opener Driving Cam Shaft Gear (Spiral) Set Screw (2)
544366	* * * * *	Hook Driving Pinion (Spiral) Set Screw (2)
544367	* * * * *	Hook Saddle Oil Regulating Screw
544379	* * * * *	Hook Saddle Oil Reservoir Screw (8)
544383	* * * * *	Bobbin Case Opener Crank Hinge Stud (left) Screw
545080	* * * * *	Hook Saddle Oil Stop Screw
549027	* * * * *	Bobbin Case Opener Screw



No.	212U141A 143A 144A 541A 543A 544A	Description
202056	* * * * *	Bobbin Case Base Latch Pin (2)
203211	- * * - * *	Bobbin Case Base Latch (2)
203212	- * * - * *	Bobbin Case Base Latch Plunger (2)
203213	- * * - * *	Bobbin Case Base Latch Spring (2)
414637	- * * - * *	Bobbin Case Spring Screw (2)
416520	- - - - * *	Hook and Bobbin Case Complete (2) 416521, 416523, 510010
416521	- - - - * *	Bobbin Case Base (2) with 202056, 203211, 203212, 203213
416523	- - - - * *	Bobbin Case (2) with 414637, 416525, 500518, 500519, 510011
416525	- - - - * *	Bobbin Case Spring (2)
500518	- - - * * *	Bobbin Case Tension Spring Screw (2)
500519	- - - * * *	Bobbin Case Tension Spring Regulating Screw (2)
500520	- - - * * *	Hook Gib Screw (6)
500521	- - - * * *	Hook Needle Guard Screw (4)
510010	- - - * * *	Hook Complete (2), 500520 (3), 500521 (2), 510012, 510013, 514500
510011	- - - * * *	Bobbin Case Tension Spring (2)
510012	- - - * * *	Hook Gib (2)
510013	- - - * * *	Hook Needle Guard (2)
514500	- - - * * *	Hook (2)



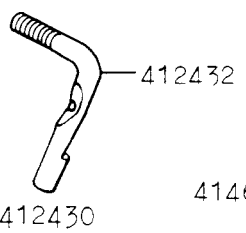
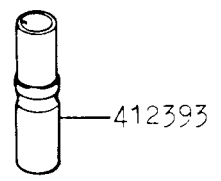
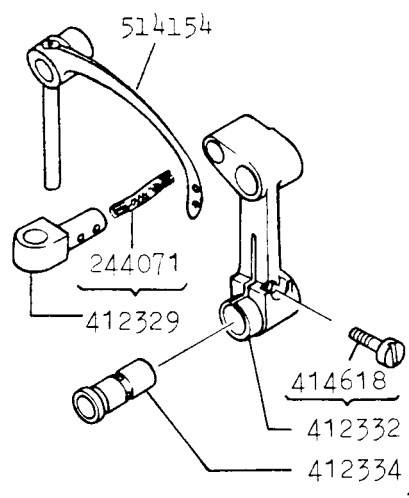
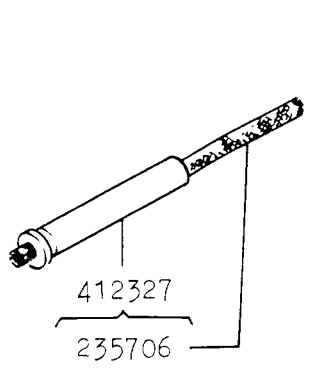
No.	212U141A 143A 144A 541A 543A 544A	Description
140434	* * *	Hook Set Screw (4)
200591	* * *	Hook Thread Guard Screw (4)
201253	* * *	Hook Gib Screw (4)
201409	* * *	Hook Needle Guard Screw (4)
202056	* * *	Bobbin Case Base Latch Pin (2)
203211	- * *	Bobbin Case Base Latch (2)
203212	- * *	Bobbin Case Base Latch Plunger (2)
203213	- * *	Bobbin Case Base Latch Spring (2)
247669	- * *	Bobbin Case Base (2) with 202056, 203211, 203212, 203213
267355	* * *	Hook (2) with 140434 (2)
267356	* * *	Hook Complete (2), 200591 (2), 201253 (2), 201409 (2), 267355, 267358, 267359, 267360, 350574
267358	* * *	Hook Gib (2)
267359	* * *	Hook Needle Guard (2)
267360	* * *	Hook Thread Guard (2)
350574	* * *	Hook Height Adjustment Screw (2)
412433	- * *	Hook and Bobbin Case Complete (2), 247669, 267356, 412440
412440	- * *	Bobbin Case (2) with 412442, 412443, 414635, 414636, 414637
412442	- * *	Bobbin Case Tension Spring (2)
412443	- * *	Bobbin Case Spring (2)
414635	- * *	Bobbin Case Tension Spring Screw (2)
414636	- * *	Bobbin Case Tension Spring Regulating Screw (2)
414637	- * *	Bobbin Case Spring Screw (2)



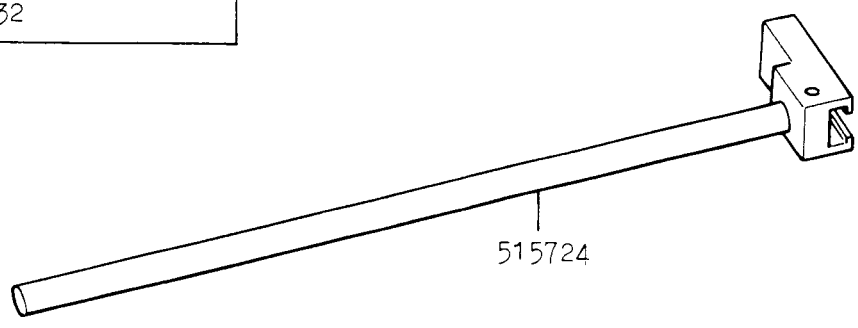
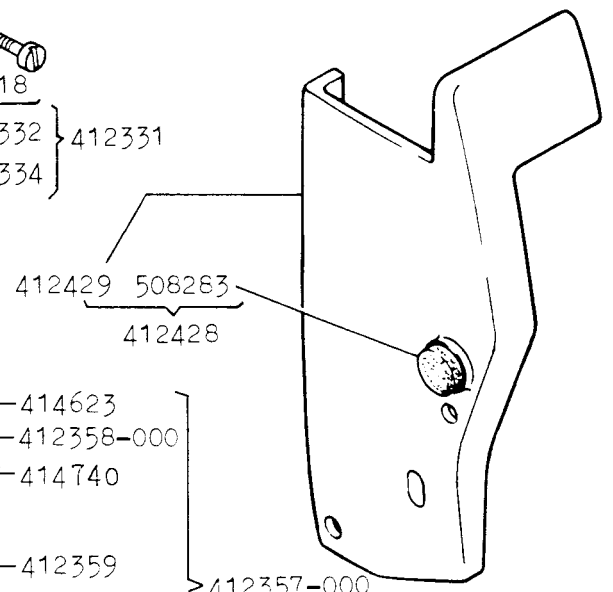
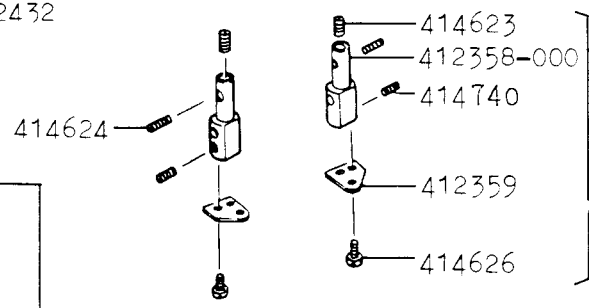
412324
412205
412325
544327
544332

416526
412324
412327
412329
412331
514154

412323
267300
412324
412327
412329
412331



412053	500280
412056	502832
412142	508555
412143	508557
412144	541186
412224	543831-001
412229	543832-001
412240	544281 (2)
412432	



No.	212U141A 143A 144A 541A 543A 544A	Description
235706	* * * * *	Take-Up Lever Hinge Stud Wick
244071	* * * * *	Take-Up Lever Driving Stud Wick
267466	* * * * *	Needle Bar Connecting Link Stud Wick
412324	- * * - * *	Arm Shaft, Needle Bar Crank, Needle Bar Connecting Link Stud Complete, 412205, 412325, 544327, 544332
412325	- * * - * *	Needle Bar Connecting Link Stud with 267466
412327	- * * - * *	Take-Up Lever Hinge Stud with 235706
412329	- * * - * *	Take-Up Lever Driving Stud with 244071
412331	- * * - * *	Needle Bar Connecting Link Complete, 412332, 412334
412332	- * * - * *	Needle Bar Connecting Link with 414618
412334	- * * - * *	Needle Bar Connecting Link Bushing (Eccentric)
412357-008	- * * - * *	Needle Clamp Complete (1/8") (2) 412358-008, 412359, 414623, 414625, 414626
412357-012	- * * - * *	Needle Clamp Complete (3/16") (2) 412358-012, 412359, 414623, 414625, 414626
412357-016	- * * - * *	Needle Clamp Complete (1/4") (Standard) (2) 412358-016, 412359, 414623, 414625, 414626
412357-020	- * * - * *	Needle Clamp Complete (5/16") (2) 412358-020, 412359, 414623, 414625, 414626
412357-024	- * * - * *	Needle Clamp Complete (3/8") (2) 412358-024, 412359, 414623, 414625, 414626
412357-100	- * * - * *	Needle Clamp Complete (1") (2) 412358-100, 412359, 414623, 414625, 414626
412358-008	- * * - * *	Needle Clamp (1/8") (2)
412358-012	- * * - * *	Needle Clamp (3/16") (2)
412358-016	- * * - * *	Needle Clamp (1/4") (Standard) (2)
412358-020	- * * - * *	Needle Clamp (5/16") (2)
412358-024	- * * - * *	Needle Clamp (3/8") (2)
412358-100	- * * - * *	Needle Clamp (1") (2)
412359	- * * - * *	Needle Clamp Thread Guide (2)
412393	- * * - * *	Presser Bar Bushing (Upper)
412428	- * * - * *	Face Plate Complete, 412429, 508283
412429	- * * - * *	Face Plate
412430	- * * - * *	Arm Cover (Top) with 412053, 412056, 412142, 412143, 412144, 412224, 412229, 412240, 412432, 500280, 502832, 508555, 508557, 541186, 543831-001, 543822-001, 544281
412432	- * * - * *	Thread Guide (Top of Arm) (Large)
414618	- * * - * *	Needle Bar Connecting Link Bushing (Eccentric) Pinch Screw
414623	- * * - * *	Needle Clamp Regulating Screw (2)
414624	- * * - * *	Needle Clamp Set Screw (2)
414740	- * * - * *	Needle Set Screw (2)
414626	- * * - * *	Needle Clamp Thread Guide Set Screw (2)
416526	- - - - * *	Arm Shaft Needle Bar Crank, Take-Up Lever Complete 412324 412327, 412329, 412331, 514154
508283	* * * * *	Face Plate Plug
514154	- - - * * *	Take-Up Lever
515724	- * * - * *	Feed Driving Rock Shaft
412323	- * * - - -	Arm Shaft Needle Bar Crank, Take-Up Lever Complete 267300, 412324, 412327, 412329, 412331

ILLUSTRATED.

PARTSLIST

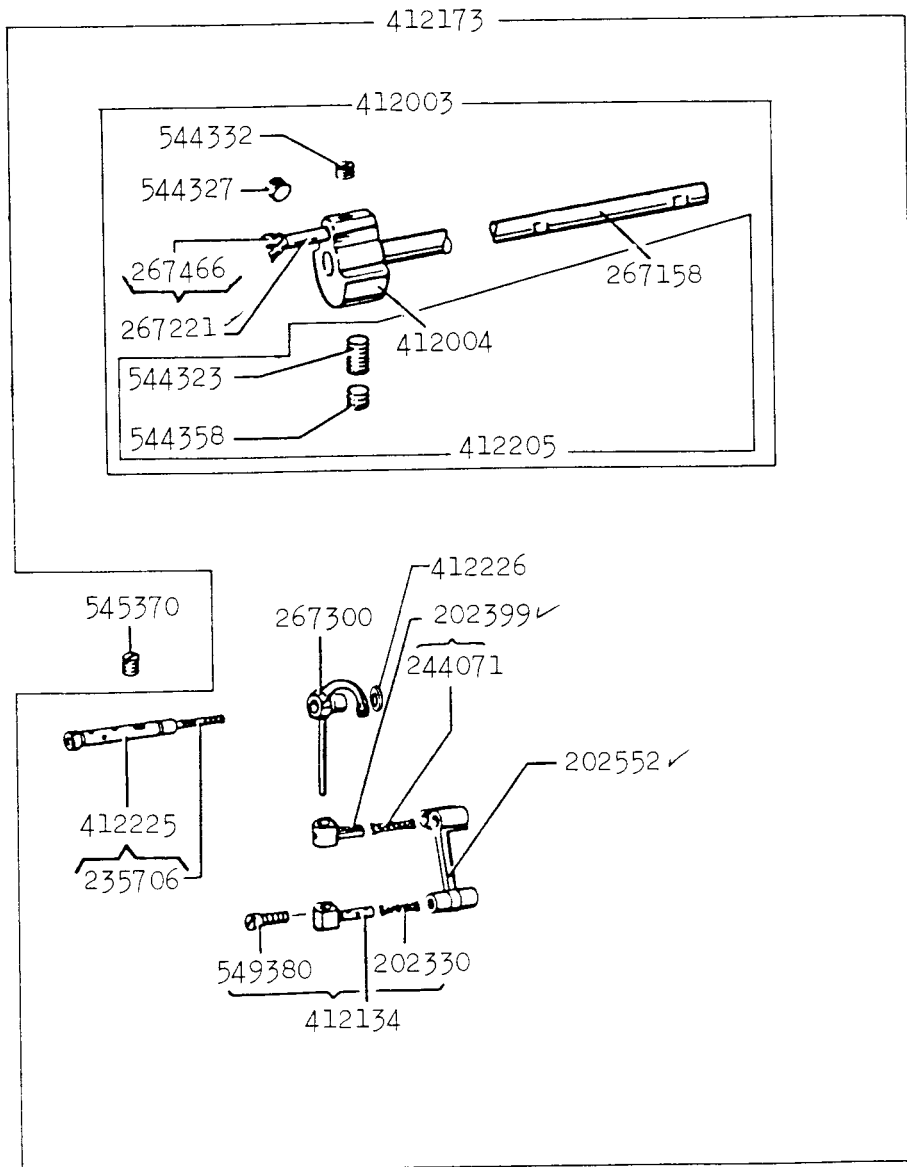
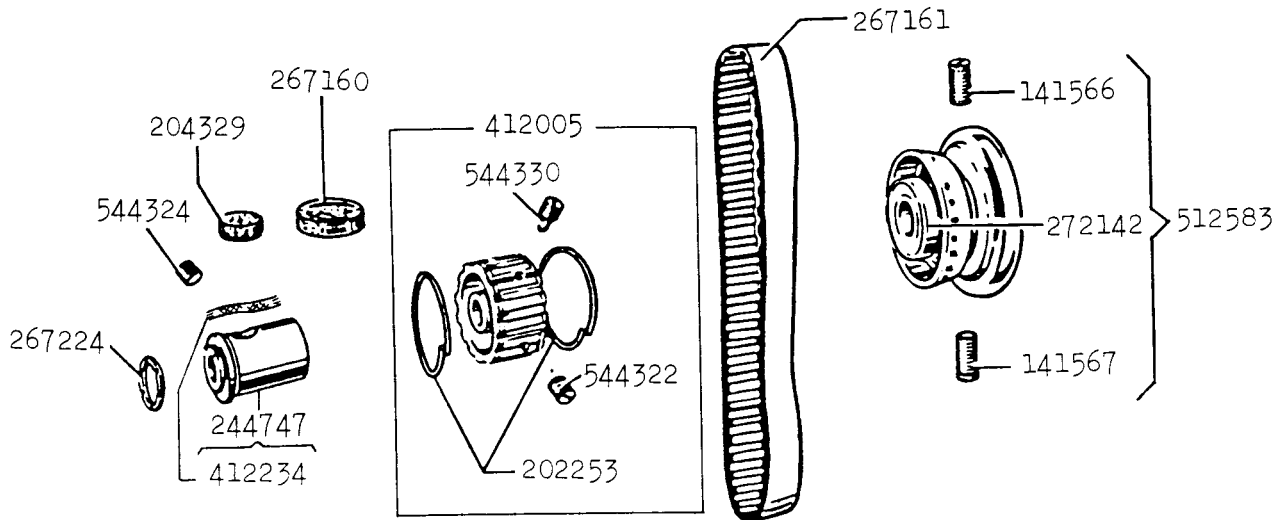
FOR

SINGER*

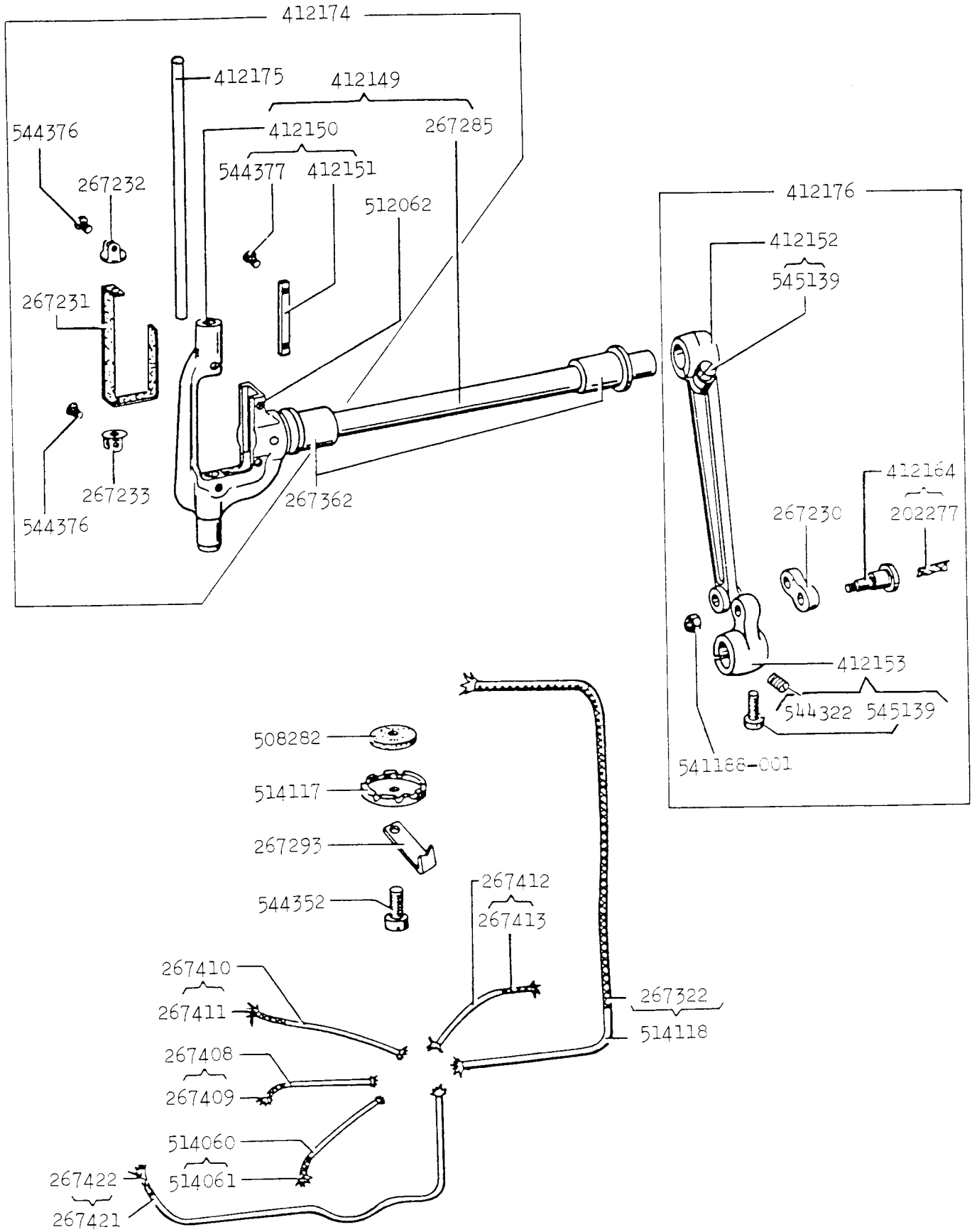
MACHINE

212U141

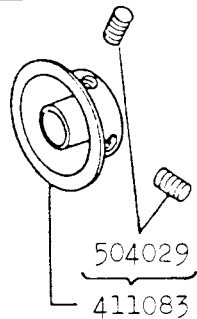
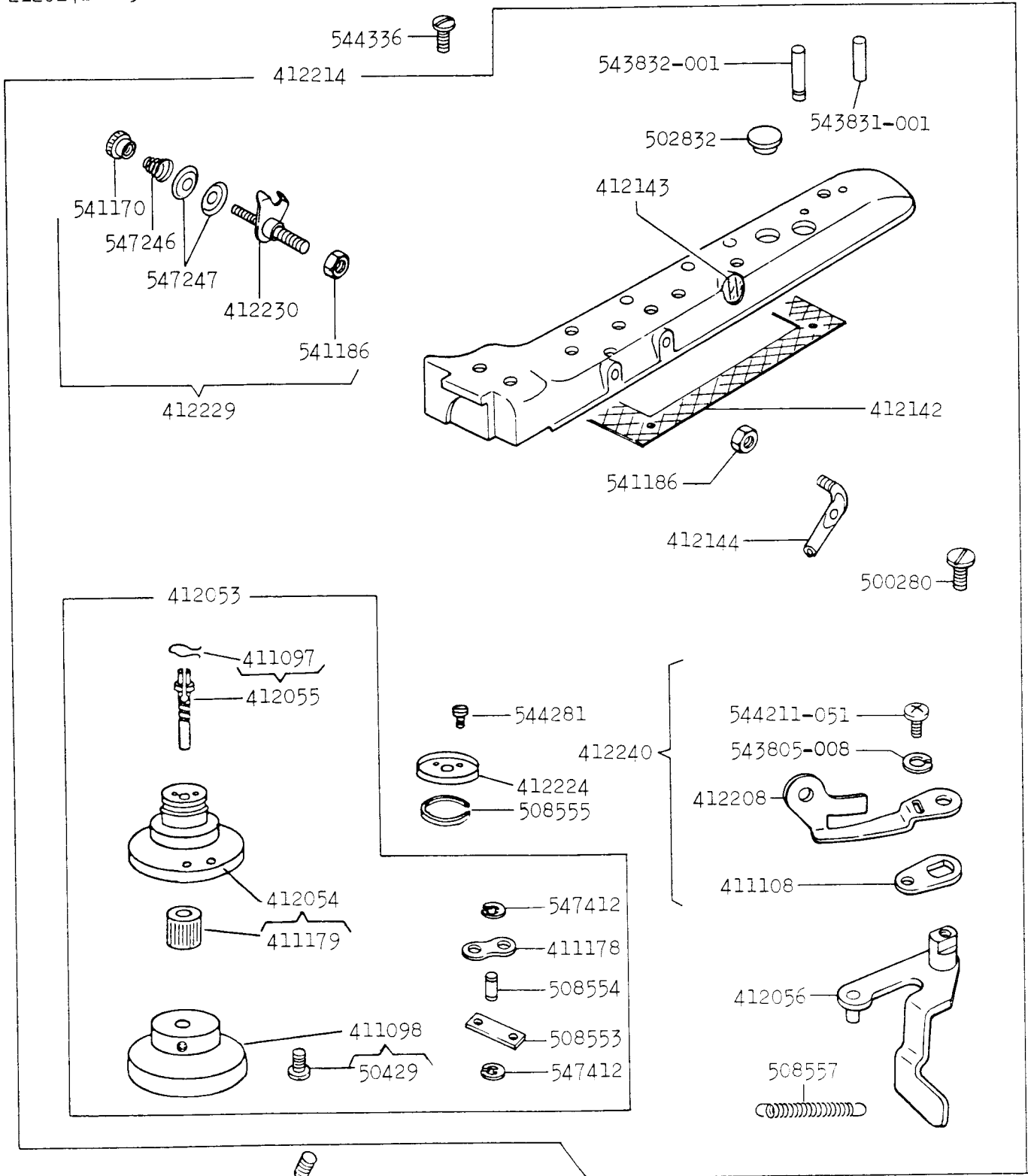
* A Trademark of THE SINGER COMPANY
Copyright © 1981 THE SINGER COMPANY
All Rights Reserved Throughout World



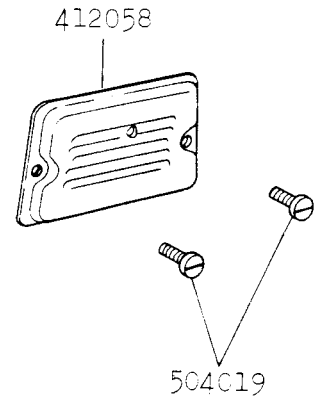
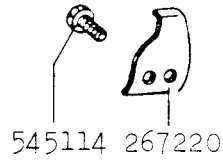
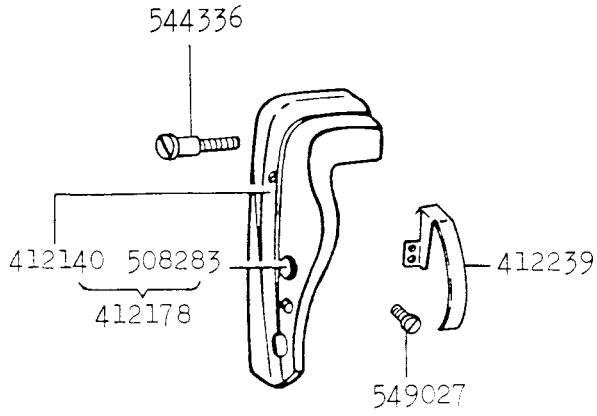
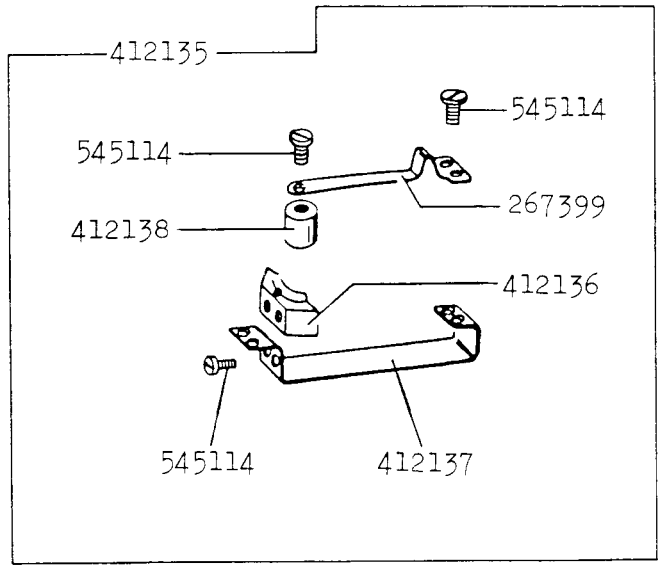
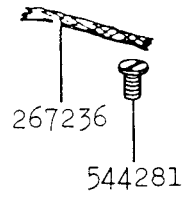
No.	212U141 442 211U157 165 166 566	Description
141566	* * * * *	Machine Pulley Position Screw
141567	* * * * *	Machine Pulley Set Screw
202253	* * * * *	Arm Shaft Connection Belt Pulley Spring Flange (2)
202330	* * * * *	Needle Bar Connection Stud Oil Packing (wick)
202399	* * * * *	Take-up Lever Driving Stud with 244071
202552	* * * * *	Needle Bar Connecting Link
204329	* * * * *	Arm Shaft Bushing Oil Pad (felt) (lower)
235706	* * * * *	Take-up Lever Hinge Stud Oil Packing (wick)
244071	* * * * *	Take-up Lever Driving Stud Oil Packing (wick)
244747	* * * * *	Arm Shaft Bushing (front) 412234
267158	* * * * *	Arm Shaft
267160	* * * * *	Arm Shaft Bushing Oil Pad (felt) (upper)
267161	* * * * *	Arm Shaft Connecting Belt
267221	* * * * *	Needle Bar Connecting Link Stud with 267466
267224	* * * * *	Needle Bar Crank Friction Washer
267300	* * - - -	Take-up Lever
267466	* * * * *	Needle Bar Connecting Link Stud Oil Packing (wick)
272142	* * * * *	Machine Pulley Ball Bearing (back)
412003	* * * * *	Arm Shaft complete 267221, 412005, 544327, 544332
412004	* * * * *	Needle Bar Crank
412005	* * * * *	Arm Shaft Connection Belt Pulley with 202253 (2), 544322, 544330
412134	* * * - - -	Needle Bar Connecting Stud with 202330, 549380
412173	* * - - -	Arm Shaft complete 202399, 202552, 267239, 267300, 412003, 412134, 412226
412205	* * * * *	Arm Shaft complete 267158, 412004, 544323, 544358
412225	* * * * *	Take-up Lever Hinge Stud with 235706
412226	* * * * *	Take-up Lever Hinge Stud Wearing Washer
412234	* * * * *	Arm Shaft Bushing (front) Oil Wick
512583	* * * - - -	Machine Pulley with 141566, 141567, 272142
544322	* * * * *	Arm Shaft Connection Belt Pulley Set Screw
544323	* * * * *	Needle Bar Crank Position Screw
544324	* * * * *	Arm Shaft Bushing (front) Set Screw
544327	* * * * *	Needle Bar Connecting Link Stud Set Screw
544330	* * * * *	Arm Shaft Connection Belt Pulley Position Screw
544332	* * * * *	Needle Bar Connecting Link Stud Set Screw
544358	* * * * *	Needle Bar Crank Position Screw Check Screw
545370	* * * * *	Take-up Lever Hinge Stud Set Screw
549380	* * * * *	Needle Bar Connecting Stud Pinch Screw



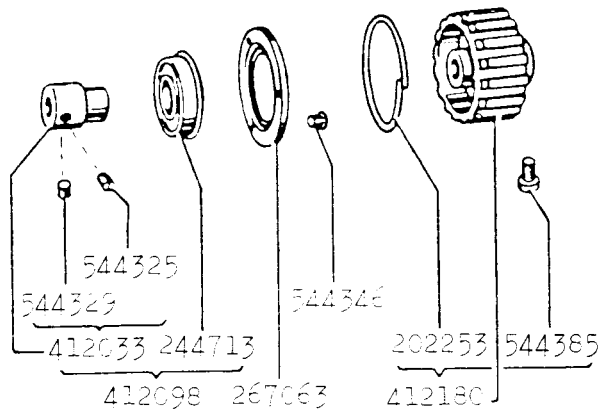
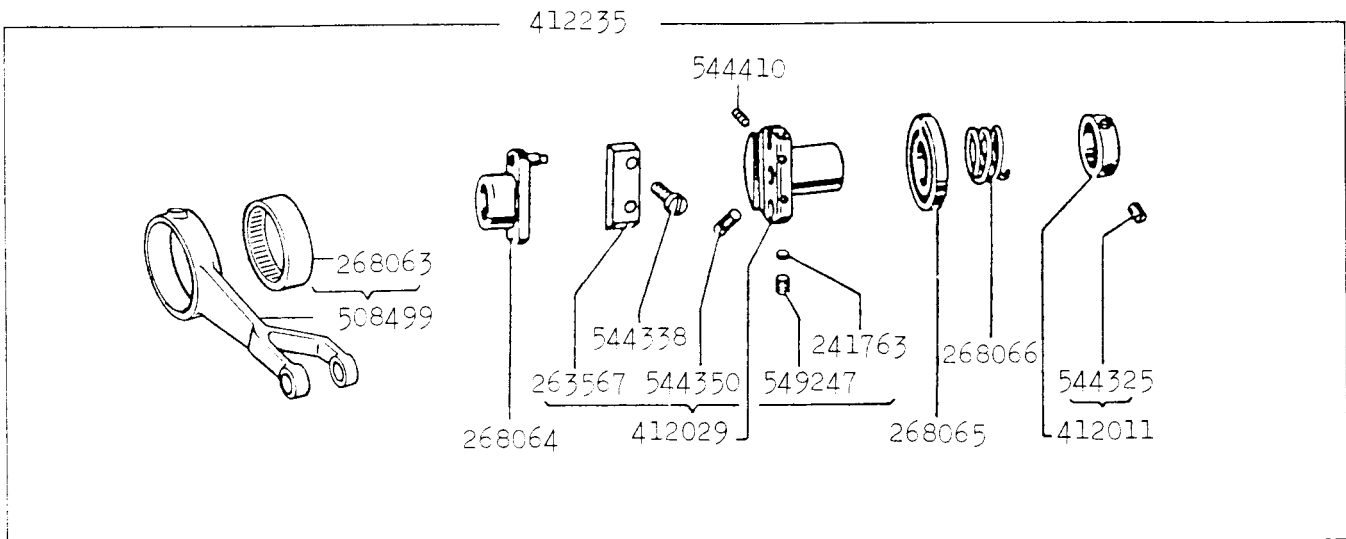
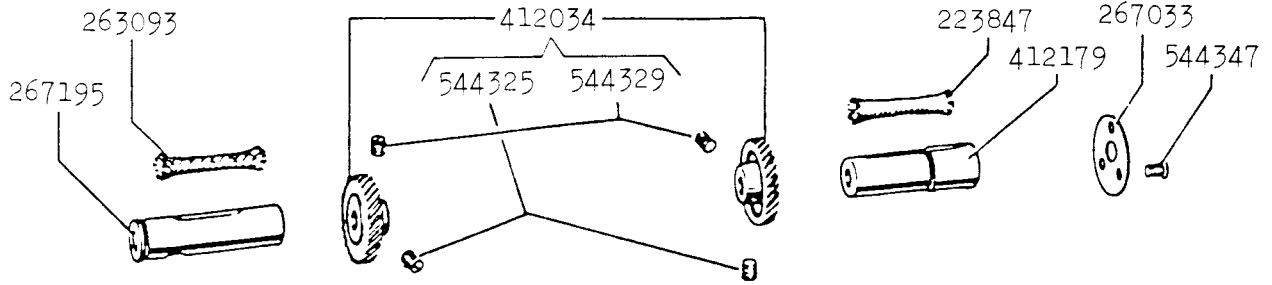
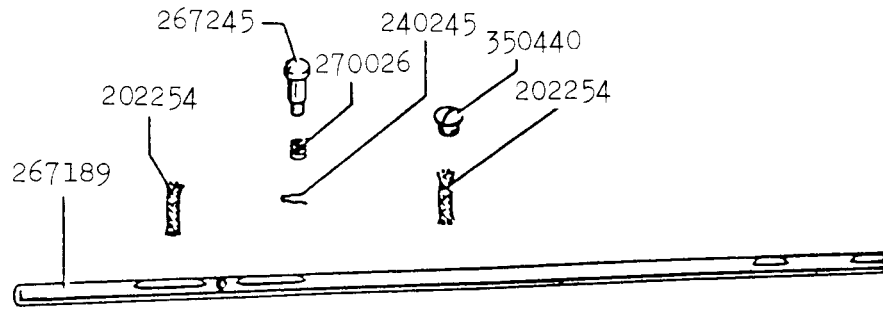
No.	212U141 442 211U157 165 166 566	Description
202277	* * * - - -	Needle Bar Rock Frame Rock Shaft Crank Link Hinge Screw Oil Packing (wick) (2)
267230	* * * - - -	Needle Bar Rock Frame Rock Shaft Crank Link
267231	* * * - - -	Needle Bar Oiling Felt
267232	* * * - - -	Needle Bar Oiling Felt Retainer (upper)
267233	* * * - - -	Needle Bar Oiling Felt Retainer (lower)
267285	* * * - - -	Needle Bar Rock Frame Shaft
267293	* * * * * *	Feed Driving Eccentric Connection Oil Tube Support
267322	* * * * * *	Bed Oil Supply Tube Oil Wick
267362	* * * - - -	Needle Bar Rock Frame Rock Shaft Bushing (split) (2)
267408	* * - - - -	Hook Saddle Bearing (right) Oil Tube with 267409
267409	* * - - - -	Hook Saddle Bearing (right) Oil Tube Wick
267410	* * - - - -	Feed Driving Rock Shaft Bushing (left) Oil Tube with 267411
267411	* * * * * *	Feed Driving Rock Shaft Bushing (left) Oil Tube Wick
267412	* * - - - -	Feed Driving Rock Shaft Bushing (right) Oil Tube with 267413
267413	* * - - - -	Feed Driving Rock Shaft Bushing (right) Oil Tube Wick
267421	* * - - - -	Hook Saddle Bearing (left) Oil Tube with 267422
267422	* * - - - -	Hook Saddle Bearing (left) Oil Tube Wick
412149	* * * - - -	Needle Bar Rock Frame complete 267285, 412150, 512062
412150	* * * - - -	Needle Bar Rock Frame with 412151 (2), 544377 (4)
412151	* * * - - -	Needle Bar Rock Frame Wear Plate (2)
412152	* * * - - -	Needle Bar Rock Frame Rock Shaft Connection with 545139
412153	* * * - - -	Needle Bar Rock Frame Rock Shaft Crank with 544322, 545139
412164	* * * - - -	Needle Bar Rock Frame Rock Shaft Crank Link Hinge Screw (2) with 202277
412174	* * - - - -	Needle Bar Rock Frame, Rock Shaft, Needle Bar complete 267231, 267232, 267233, 412149, 412175, 544376 (4)
412175	* * - - - -	Needle Bar
412176	* * * - - -	Needle Bar Rock Frame Rock Shaft Connection complete 267230, 412152, 412153, 412164, 541188-001
508282	* * * * * *	Bed Oil Tube Clamp Oiling Felt
512062	* * * - - -	Needle Bar Rock Frame Pin
514060	* * - - - -	Feed Driving Eccentric Connection Oil Tube with 514061
514061	* * - - - -	Feed Driving Eccentric Connection Oil Tube Wick
514117	* * * * * *	Bed Oil Tube Clamp
514118	* * - - - -	Bed Oil Supply Tube with 267322
541188-001	* * * - - -	Needle Bar Rock Frame Rock Shaft Crank Link Hinge Screw Nut (2)
544322	* * * - - -	Needle Bar Rock Frame Rock Shaft Crank Set Screw
544352	* * * * * *	Bed Oil Tube Clamp Screw
544376	* * * - - -	Needle Bar Oiling Felt Retainer Screw (upper) (2)
544376	* * * - - -	Needle Bar Oiling Felt Retainer Screw (lower) (2)
544377	* * * - - -	Needle Bar Rock Frame Wear Plate Screw (4)
545139	* * * - - -	Needle Bar Rock Frame Rock Shaft Connection Pinch Screw
545139	* * * - - -	Needle Bar Rock Frame Rock Shaft Crank Pinch Screw



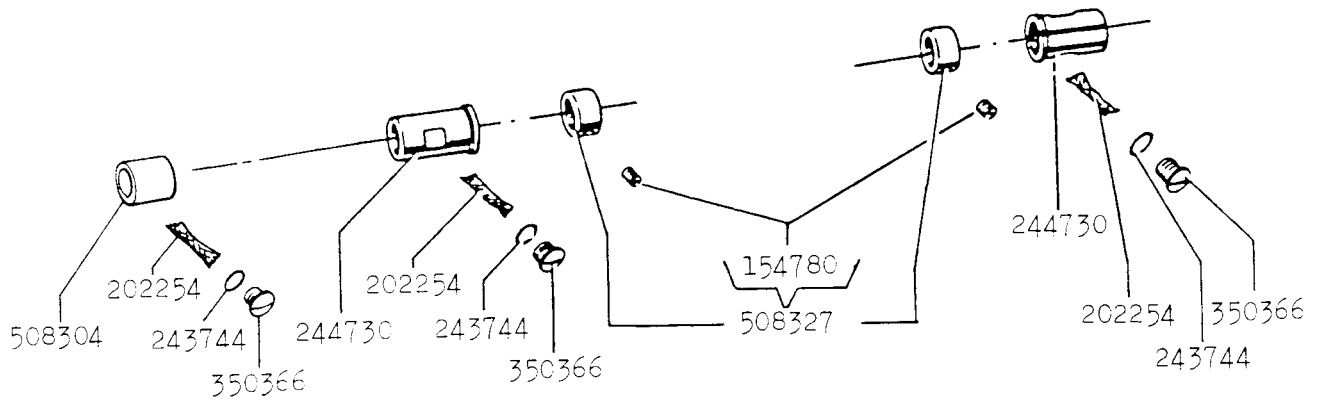
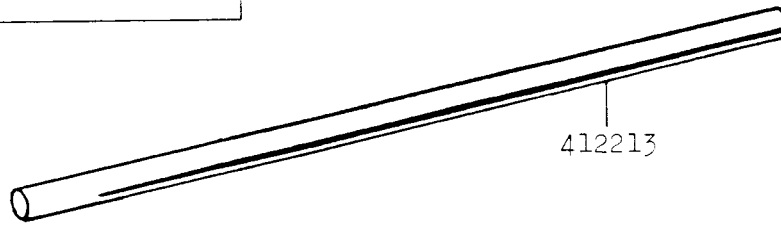
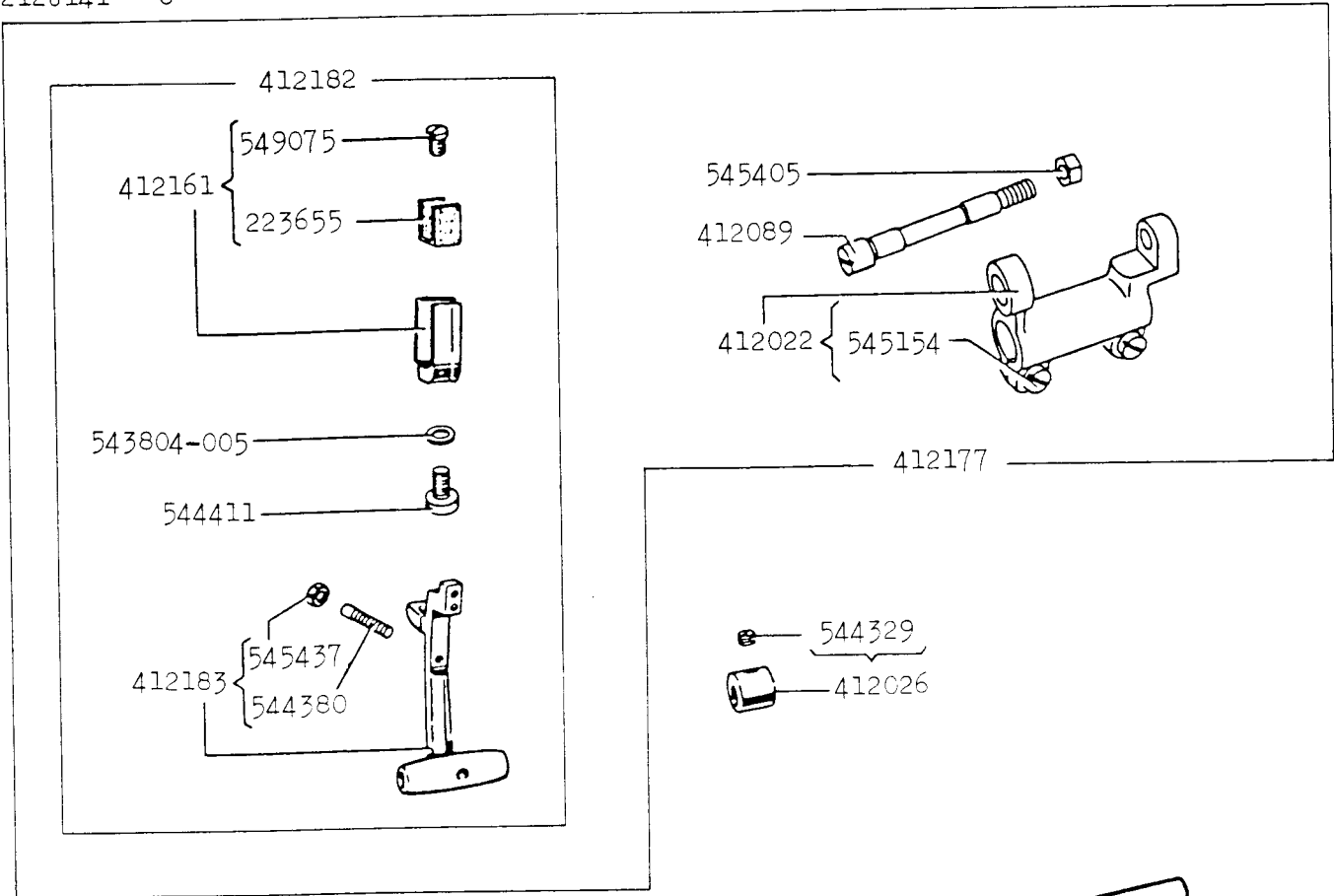
No.	2120141 442 2110157 165 166 566	Description
50429	* * * * *	Bobbin Winder Shaft Friction Wheel Set Screw (2)
411083	* * * * *	Bobbin Winder Driving Wheel with 504029 (2)
411097	* * * * *	Bobbin Snap Spring
411098	* * * * *	Bobbin Winder Shaft Friction Wheel with 50429 (2)
411108	* * * * *	Bobbin Winder Shaft Bushing (Ecc.) Trip Lever (short)
411178	* * * * *	Bobbin Winder Bushing (Ecc.) Connection Lever
411179	* * * * *	Bobbin Winder Shaft Bushing (Ecc.) Bearing
412053	* * * * *	Bobbin Winder Shaft Bushing (Ecc.) complete 411098, 411178, 412054, 412055, 508553, 508554, 547412
412054	* * * * *	Bobbin Winder Shaft Bushing (Ecc.) with 411179
412055	* * * * *	Bobbin Winder Shaft with 411097
412056	* * * * *	Bobbin Winder Bushing (Ecc.) Rocking
412142	* * * - - -	Arm Cover (Top) Gasket (vellumoid)
412143	* * * - - -	Oil Lever Indicator
412144	* * * * *	Thread Guide (Arm Top Cover) (2)
412208	* * * * *	Bobbin Winder Shaft Bushing (Ecc.) Trip Lever (long)
412214	* * - - - -	Arm Cover (Top) with 412053, 412056, 412142, 412143, 412144, 412224, 412229, 412240, 500280, 502832, 508555, 508557, 541186, 543831-001, 543832-001, 544281 (2)
412224	* * * * *	Bobbin Winder Bushing (Ecc.) Thread Guard
412229	* * * * *	Bobbin Winder Tension complete 412230, 541170, 541186, 547246, 547247 (2)
412230	* * * * *	Bobbin Winder Tension Stud
412240	* * * * *	Bobbin Winder Shaft Bushing (Ecc.) Trip Lever complete 411108, 412208, 543805-002, 544211-051
500280	* * * * *	Bobbin Winder Shaft Bushing (Ecc.) Trip Lever Cap Screw
502832	* * * * *	Arm Cover (Top) Plug
504029	* * * * *	Bobbin Winder Driving Wheel Set Screw (2)
508553	* * * * *	Bobbin Winder Bushing (Ecc.) Spring Shackle
508554	* * * * *	Bobbin Winder Bushing (Ecc.) Link Stud
508555	* * * * *	Bobbin Winder Bushing (Ecc.) Snap Ring
508557	* * * * *	Bobbin Winder Bushing (Ecc.) Spring
541170	* * * * *	Bobbin Winder Tension Nut
541186	* * * * *	Bobbin Winder Tension Lock Nut
541186	* * * * *	Thread Guide (Arm Top Cover) Lock Nut (2)
543805-008	* * * * *	Bobbin Winder Shaft Bushing (Ecc.) Trip Lever Screw Washer
543831-001	* * * * *	Bobbin Winder Bushing (Ecc.) Rocking Lever Stop Pin
543832-001	* * * * *	Bobbin Winder Shaft Bushing (Ecc.) Coil Spring Stud
544211-051	* * * * *	Bobbin Winder Shaft Bushing (Ecc.) Trip Lever Screw
544281	* * * * *	Bobbin Winder Shaft Bushing (Ecc.) Thread Guard Screw (2)
544336	* * * * *	Arm Cover (Top) Screw (6)
547246	* * * * *	Bobbin Winder Tension Spring
547247	* * * * *	Bobbin Winder Tension Disc (2)
547412	* * * * *	Bobbin Winder Shaft Bushing (Ecc.) Link Lock Washer (2)



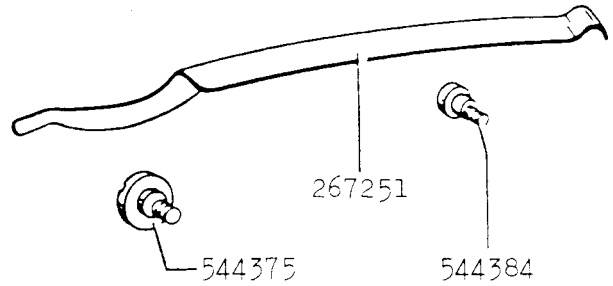
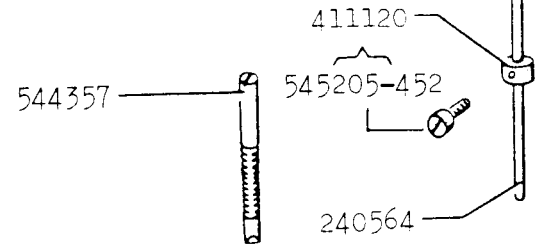
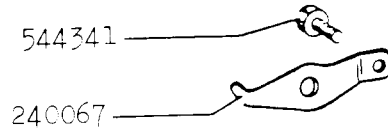
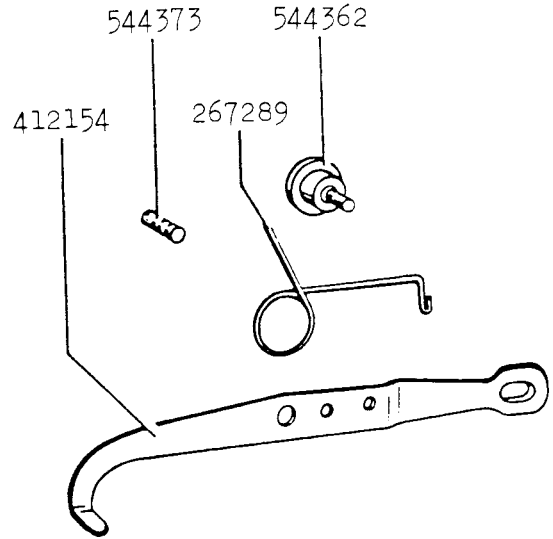
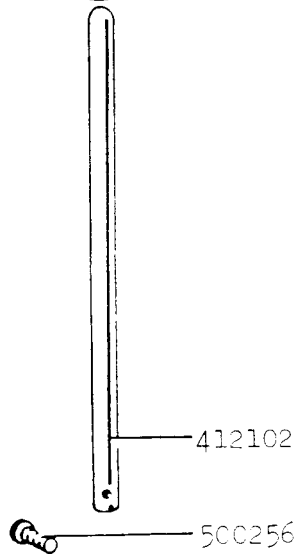
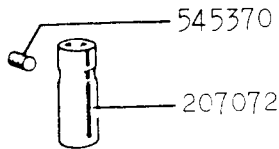
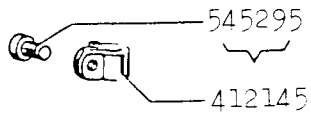
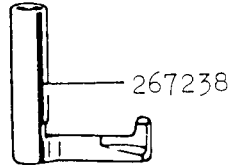
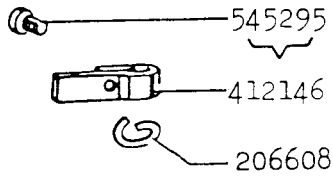
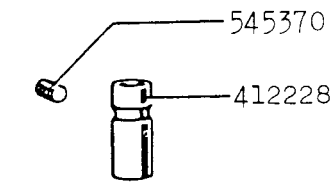
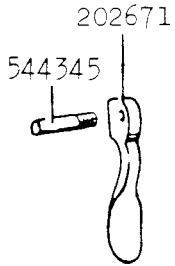
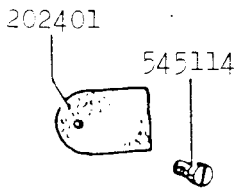
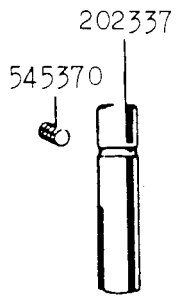
No.	212U141 442 211U157 165 166 566	Description
267220	* * * * *	Oil Guard
267236	* * * - - -	Oil Reservoir Oil Wick
267399	* * * - - -	Oil Vibrator Pump Weight Spring
412058	* * * * * *	Arm Cover (side)
412135	* * * - - -	Dynamic Head-End Lubrication Device complete 267399, 412136, 412137, 412138, 545114 (5)
412136	* * * - - -	Oil Vibrator Pump Block
412137	* * * - - -	Oil Vibrator Pump Bracket
412138	* * * - - -	Oil Vibrator Pump Weight
412140	* * * - - -	Face Plate
412178	* * - - - -	Face Plate complete 412140, 508283
412239	* * * * * *	Take-up Lever Guard
504019	* * * * * *	Arm Cover (side) Screw (2)
508283	* * - * * *	Face Plate Plug
544281	* * * - - -	Oil Vibrating Pump Bracket Screw (2)
544336	* * * - - -	Face Plate Screw (2)
545114	* * * - - -	Oil Vibrator Pump Block Screw (2)
545114	* * * - - -	Oil Vibrator Pump Weight Spring Screw (2)
545114	* * * - - -	Oil Vibrator Pump Weight Screw
545114	* * * * * *	Oil Guard Screw (2)
549027	* * * * * *	Take-up Lever Guard Screw (2)



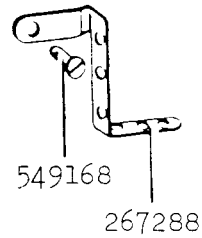
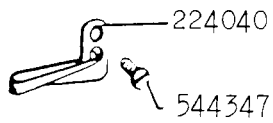
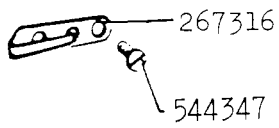
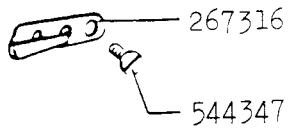
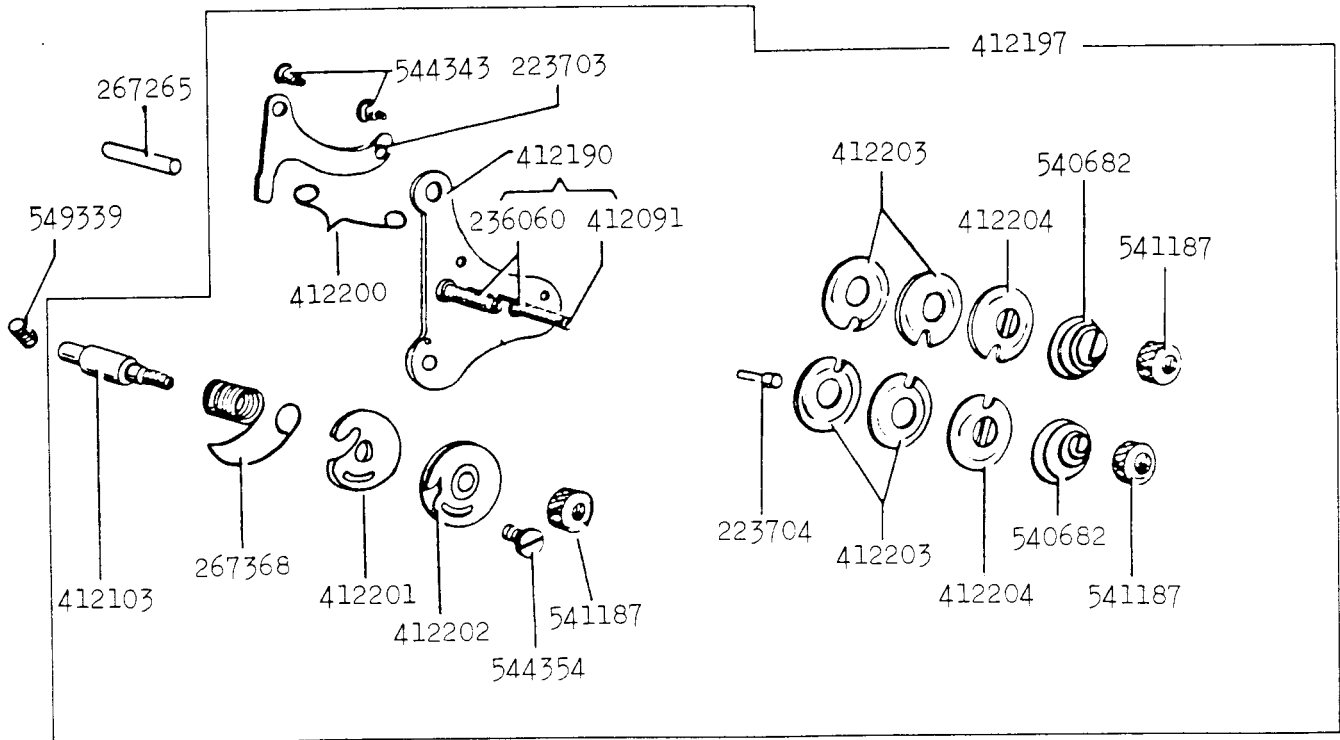
No.	212U141 442 211U157 165 166 566	Description
202253	* * * * *	Hook Driving Shaft Connection Belt Pulley Spring Flange
202254	* * * * *	Bed Oil Wick (front)
202254	* * * * *	Bed Oil Wick (back)
223847	* * - - -	Hook Saddle Bearing (right) Oil Packing (wick)
240245	* * * * *	Feed Regulating Stud Retaining Spring
241763	* * * * *	Feed Driving Eccentric Plate Screw Set Screw Packing (brass) (2)
244713	* * * * *	Hook Driving Shaft Ball Bearing
263093	* * * * *	Hook Saddle Bearing (left) Oil Packing (wick)
263567	* * * * *	Feed Driving Flange Friction Plate
267033	* * * * *	Feed Driving Eccentric Connection Friction Washer
267063	* * * * *	Hook Driving Shaft Ball Bearing Retaining Washer
267189	* * - - -	Hook Driving Shaft
267195	* * - - -	Hook Saddle Bearing (left)
267245	* * * * *	Feed Regulating Stud
268063	* * * * *	Feed Driving Eccentric Connection Needle Bearing
268064	* * * * *	Feed Driving Eccentric
268065	* * * * - -	Feed Driving Eccentric Adjusting Disc
268066	* * * * *	Feed Driving Eccentric Adjusting Disc Spring
270026	* * * * *	Feed Regulating Stud Spring
350440	* * * * *	Bed Oil Screw
412011	* * * * - -	Feed Driving Eccentric Adjusting Disc Spring Collar with 544325 (2)
412029	* * * * - -	Feed Driving Flange with 241763 (2), 263567, 544350 544388 (2), 544410, 549247 (2)
412033	* * * * *	Hook Driving Shaft Ball Bearing Collar with 544325 544329
412034	* * * * *	Hook Driving Gear (spiral) (2) with 544325, 544329
412098	* * * * *	Hook Driving Shaft Ball Bearing complete 244713, 412033
412179	* * - - -	Hook Saddle Bearing (right)
412180	* * - - -	Hook Driving Shaft Connection Belt Pulley with 202253, 544385 (2)
412235	* * * - - -	Feed Driving Eccentric complete 268064, 268065, 268066 412011, 412029, 508499
508499	* * * - * *	Feed Driving Eccentric Connection with 268063
544325	* * * * *	Hook Driving Gear Set Screw (2)
544325	* * * * *	Feed Driving Eccentric Adjusting Disc Spring Collar Set Screw (2)
544325	* * * * *	Hook Driving Shaft Ball Bearing Collar Set Screw
544329	* * * * *	Hook Driving Gear Position Screw (2)
544329	* * * * *	Hook Driving Shaft Ball Bearing Collar Position Screw
544338	* * * * *	Feed Driving Flange Friction Plate Screw (2)
544346	* * * * *	Hook Driving Shaft Ball Bearing Retaining Washer Screw (3)
544347	* * * * *	Feed Driving Eccentric Connection Friction Washer Screw (3)
544350	* * * * *	Feed Driving Flange Set Screw
544385	* * - - -	Hook Driving Shaft Connection Belt Pulley Set Screw (2)
544410	* * * * *	Feed Driving Flange Position Screw
549247	* * * * *	Feed Driving Eccentric Friction Plate Screw Set Screw (2)



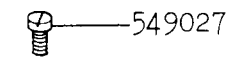
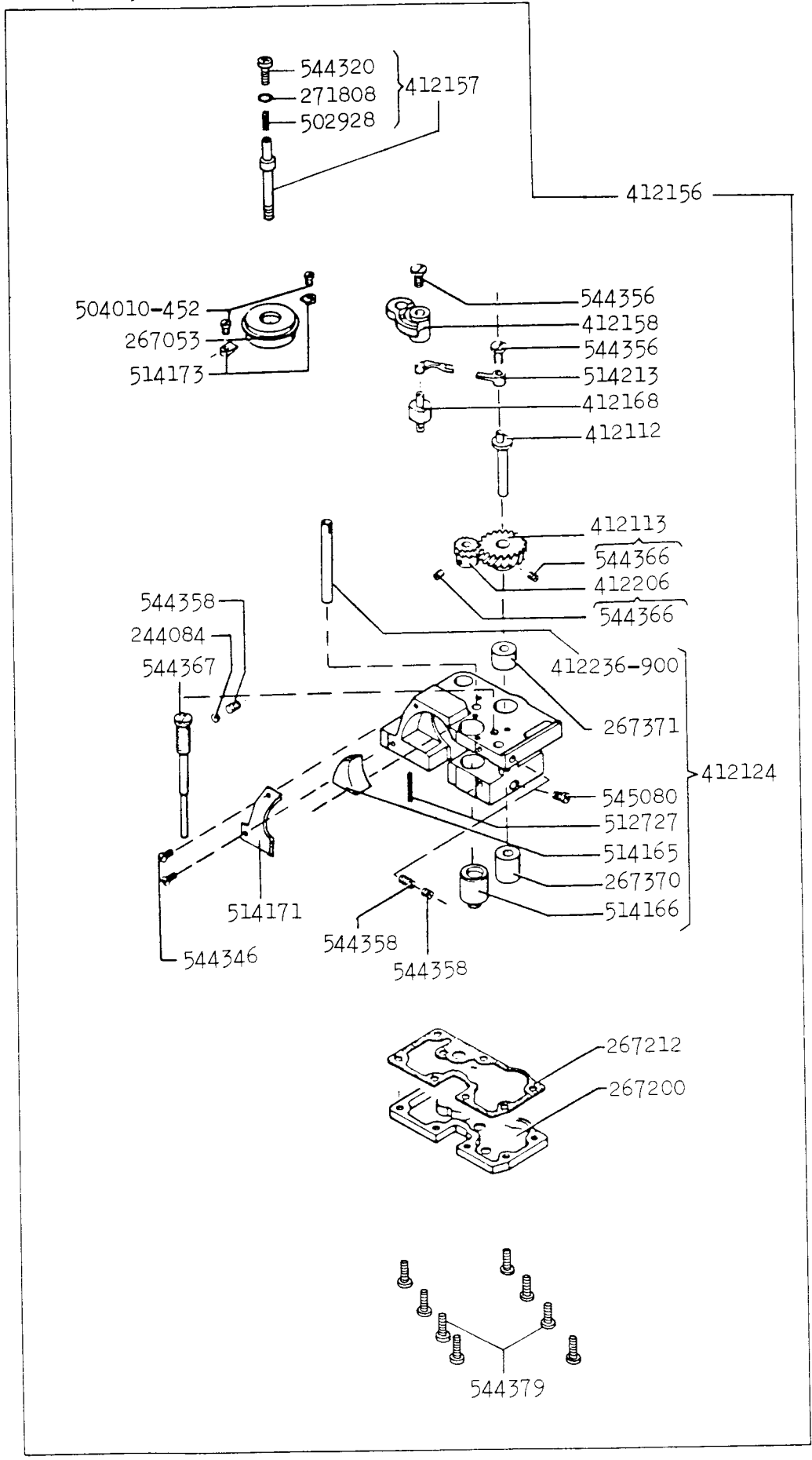
No.	212U141 442 211U157 165 166 566	Description
154780	* * * * *	Feed Driving Rock Shaft Stop Collar Set Screw (4)
202254	* * * * *	Bed Oil Wick (front)
202254	* * * * *	Bed Oil Wick (center)
202254	* * * * *	Bed Oil Wick (back)
223655	* * * * *	Feed Lifting Eccentric Fork Oiling Felt
243744	* * * * *	Bed Oil Stop Screw Gasket (front)
243744	* * * * *	Bed Oil Stop Screw Gasket (center)
243744	* * * * *	Bed Oil Stop Screw Gasket (back)
244730	* * * * *	Feed Driving Rock Shaft Bushing (center)
244730	* * * * *	Feed Driving Rock Shaft Bushing (back)
350366	* * * * *	Bed Oil Stop Screw (front)
350366	* * * * *	Bed Oil Stop Screw (center)
350366	* * * * *	Bed Oil Stop Screw (back)
412022	* * * * *	Feed Driving Rock Frame with 545154 (2)
412026	* * * * *	Feed Lifting Eccentric with 544329
412089	* * * * *	Feed Bar Hinge Screw (driving)
412161	* * * - - -	Feed Lifting Eccentric Fork with 223655, 549075
412177	* * - - - -	Feed Driving Rock Frame complete 412022, 412089, 412182, 545405
412182	* * - - - -	Feed Bar complete 412161, 412183, 543804-005, 544411
412183	* * - - - -	Feed Bar with 544380, 545437
412213	* * * - - -	Feed Driving Rock Shaft
508304	* * * * * *	Feed Driving Rock Shaft Bushing (front)
508327	* * * * * *	Feed Driving Rock Shaft Stop Collar (2) with 154780 (2)
543804-005	* * * * * *	Feed Lifting Eccentric Fork Screw Washer
544329	* * * * * *	Feed Lifting Eccentric Set Screw
544380	* * - - - -	Feed Dog Support Screw
544411	* * * * * *	Feed Lifting Fork Screw
545154	* * * * * *	Feed Driving Rock Frame Pinch Screw (2)
545405	* * * * * *	Feed Bar Hinge Screw Nut
545437	* * - - - -	Feed Dog Support Screw Nut
549075	* * * * * *	Feed Lifting Eccentric Fork Oiling Felt Screw



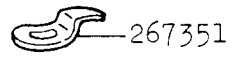
No.	212U141 442 211U157 165 166 566	Description
202337	* * *	Presser Bar Position Guide
202401	* * *	Take-up Lever Oiling Felt
202671	* * *	Presser Bar Lifter
206608	* * *	Presser Bar Lifting Releasing Lever Bracket Spring
207072	* * *	Presser Bar Bushing (upper)
240067	* * * * *	Knee Lifter Connection Lever
240564	* * * * *	Knee Lifter Connection Lever Lifting Rod
267238	* * *	Presser Bar Lifting Releasing Lever Bracket
267251	* * * * *	Presser Bar Spring (flat)
267289	* * * * *	Knee Lifter Lifting Lever Spring
412102	* * * * *	Presser Bar with 500256
411120	* * * * *	Knee Lifter Connection Lifting Rod Stop Collar with 545205-452
412145	* * *	Presser Bar Spring Bracket with 545295
412146	* * *	Presser Bar Position Guide Lever with 545295
412154	* * *	Knee Lifter Lifting Lever
412228	* * *	Presser Bar Bushing (upper)
500256	* * * * *	Presser Bar Screw
544341	* * * * *	Knee Lifter Connection Lever Hinge Screw
544345	* * * * *	Presser Bar Lifter Hinge Screw
544357	* * * * *	Presser Bar Spring Regulating Screw
544362	* * * * *	Knee Lifter Lifting Lever Hinge Screw
544373	* * *	Knee Lifter Lifting Lever Spring Stop Screw
544375	* * *	Presser Bar Lifting Releasing Lever Bracket Guide Screw
544384	* * * * *	Presser Bar Spring Support Screw
545114	* * *	Take-up Lever Oiling Felt Screw
545205-452	* * * * *	Knee Lifter Connection Lever Lifting Rod Stop Collar Set Screw
545295	* * *	Presser Bar Position Guide Lever Pinch Screw
545295	* * *	Presser Bar Spring Bracket Pinch Screw
545370	* * *	Presser Bar Position Guide Set Screw
545370	* * *	Presser Bushing Set Screw (upper)
545370	* * *	Presser Bar Bushing Set Screw (lower)



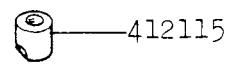
No.	212U141 442 211U157 165 166 566	Description
223703	* * * * *	Tension Release Lever
223704	* * * * *	Tension Release Plunger (2)
224040	* * - - -	Thread Guide (lower)
236060	* * * * *	Tension Disc Position Pin (2)
267265	* * * * *	Tension Release Lever Rod
267288	* * - - -	Thread Retainer
267316	* * * * *	Thread Guide (2)
267368	* * * * *	Thread Controller Spring
412091	* * * * *	Tension Stud (2)
412103	* * * * *	Thread Controller Stud with 204925
412190	* * - - -	Tension Bracket with 236060 (2), 412091 (2)
412197	* * - - -	Tension Bracket complete 223703, 223704 (2), 267368, 412103, 412190, 412200, 412201, 412202, 412203 (4), 412204 (2), 540682 (2), 541187 (3), 544343 (2), 544354
412200	* * * * *	Tension Release Lever Spring
412201	* * * * *	Thread Controller Spring Stop
412202	* * * * *	Thread Controller Disc
412203	* * * * *	Tension Disc (4)
412204	* * * * *	Tension Release Washer (2)
540682	* * - - -	Tension Spring (2)
541187	* * * * *	Tension Thumb Nut (3)
544343	* * * * *	Tension Release Lever Screw (2)
544347	* * * * *	Thread Guide Screw (3)
544354	* * * * *	Thread Controller Disc Screw
549168	* * * * *	Tension Bracket Screw
549339	* * * * *	Thread Controller Stud Set Screw



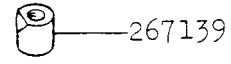
549027



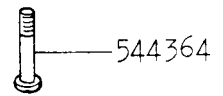
267351



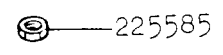
412115



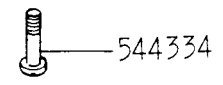
267139



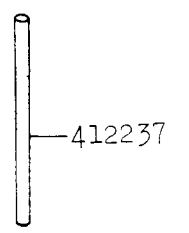
544364



225585

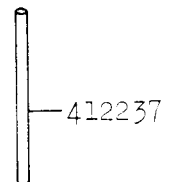
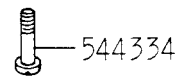
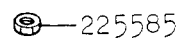
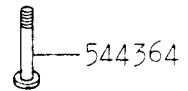
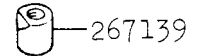
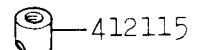
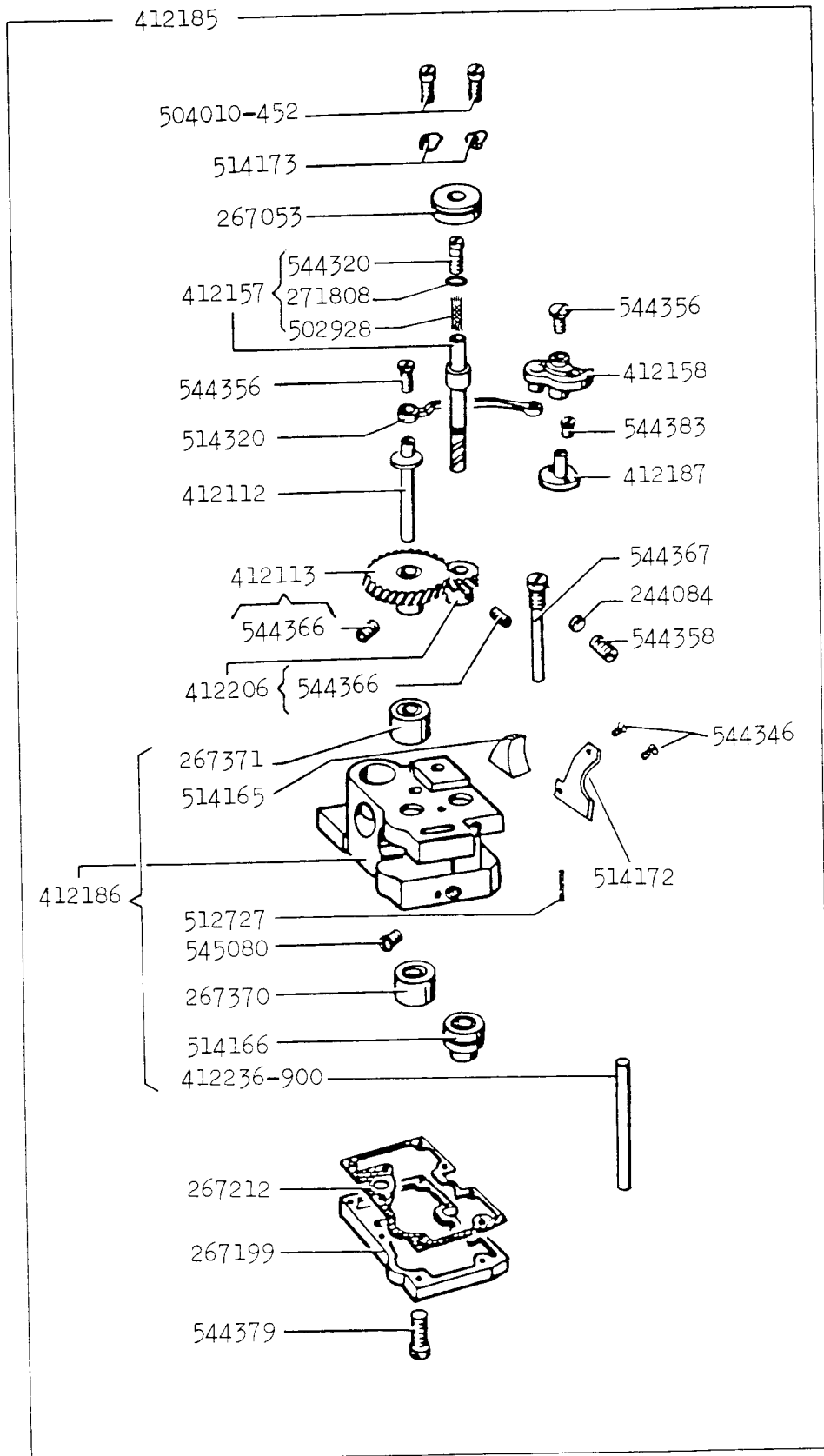
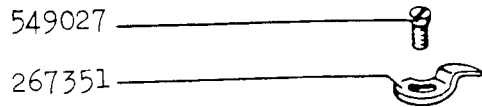


544334

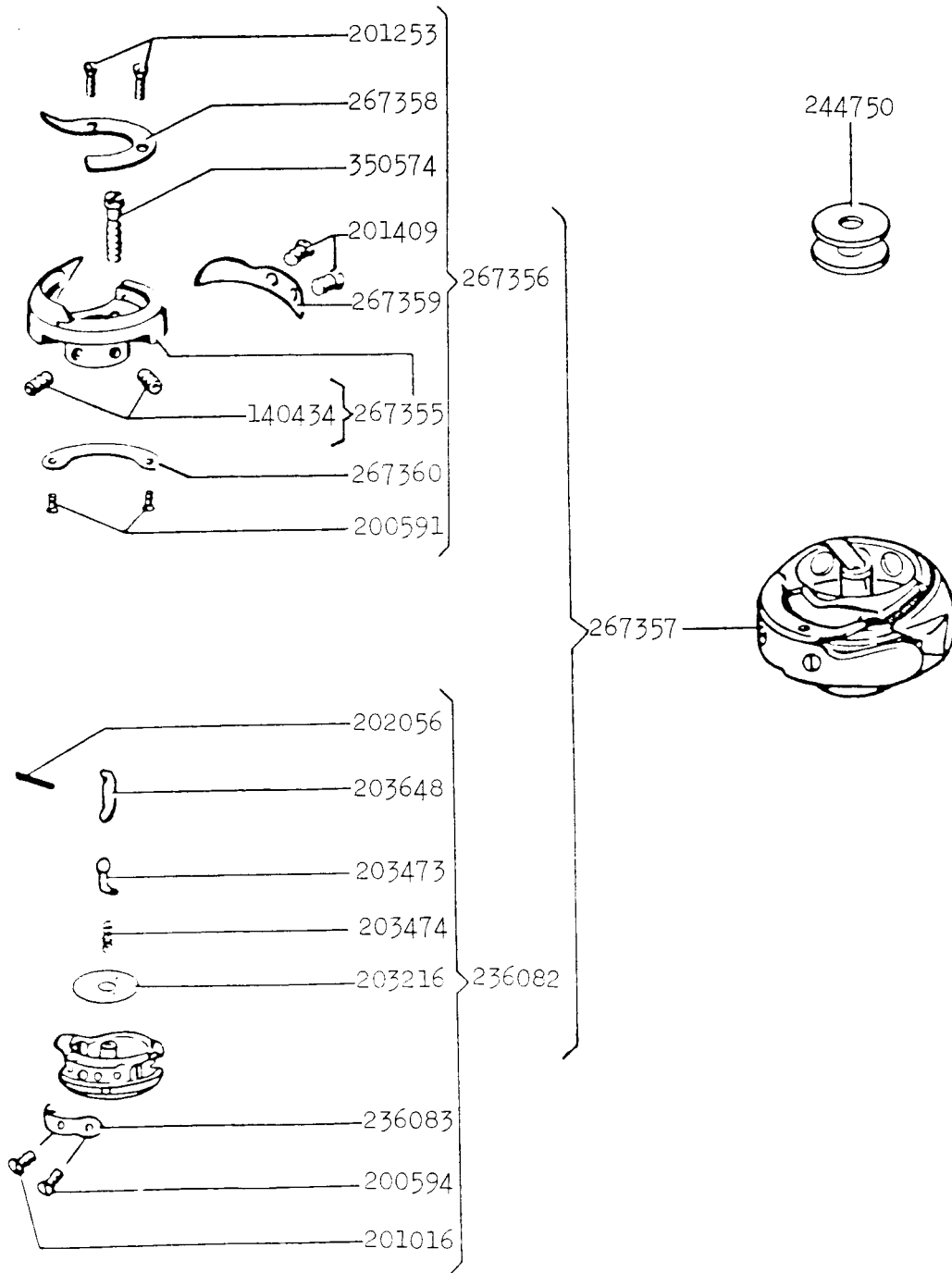


412237

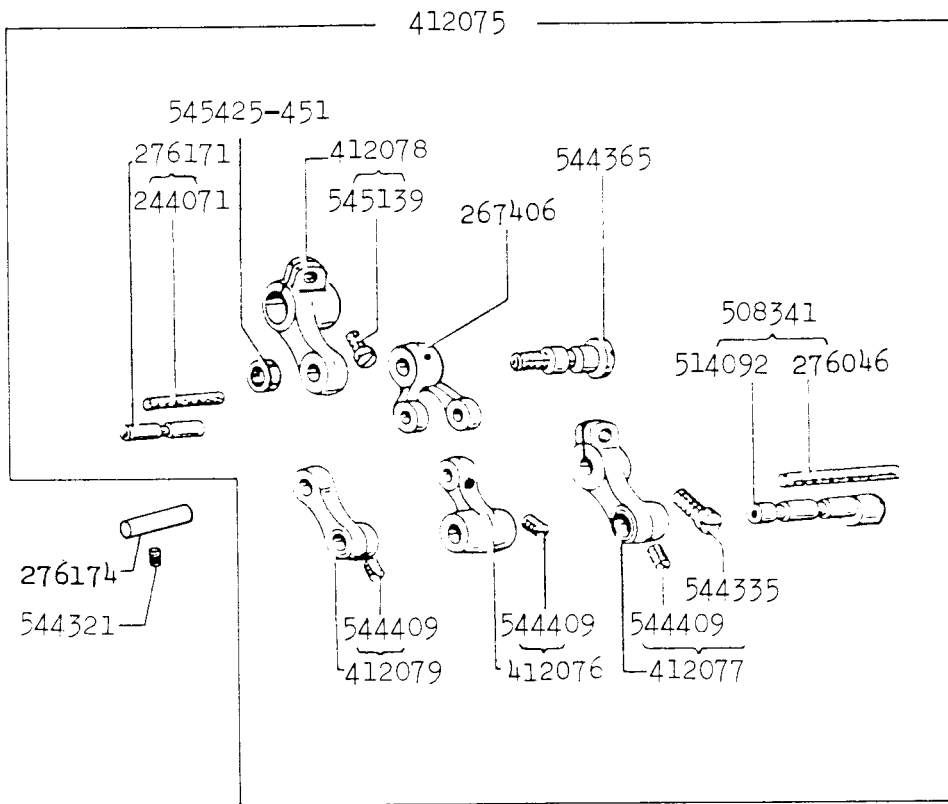
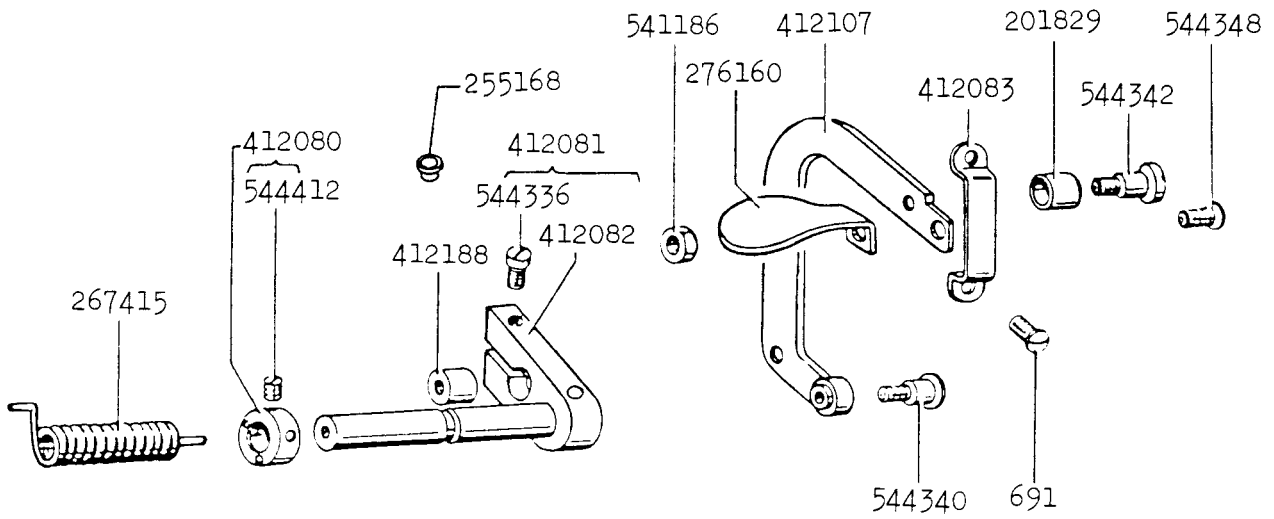
No.	212U141 442 211U157 165 166 566	Description
225585	* * * * *	Hook Saddle Screw Washer
244084	* * * - - *	Hook Saddle Regulating Screw Check Screw Packing
267053	* * * - - *	Hook Ball Bearing
267139	* * * - - *	Pinch Sleeve (lower)
267200	* * * - - *	Hook Saddle Oil Reservoir
267212	* * * - - *	Hook Saddle Oil Reservoir Gasket
267351	* * * - - -	Bobbin Case Opener
267370	* * * - - *	Bobbin Case Opener Driving Cam Shaft Bushing (lower)
267371	* * * - - *	Bobbin Case Opener Driving Cam Shaft Bushing (upper)
271808	* * * - - -	Hook Shaft Oil Filter Felt Holder Seal
412112	* * * - - *	Bobbin Case Opener Cam Shaft
412113	* * * - - *	Bobbin Case Opener Driving Cam Shaft Gear (spiral) with 544366 (2)
412115	* * * - - *	Pinch Sleeve (upper)
412124	* * * - - *	Hook Saddle (right) with 267370, 267371, 412236-900 512727, 514165, 514166, 545080
412156	* * * - - -	Hook Saddle (right) complete 244084, 267053, 267200, 267212, 412112, 412113, 412124, 412157, 412158, 412163, 412206, 504010-452(2), 514171, 514173(2), 514213, 544346 (2), 544356 (2), 544358 (3), 544367, 544379 (8)
412157	* * * - - -	Hook Shaft with 271808, 502928, 544320
412158	* * * - - -	Bobbin Case Opener Crank
412168	* * * - - -	Bobbin Case Opener Crank Hinge Stud
412206	* * * - - -	Hook Driving Pinion (spiral) with 544366 (2)
412236-900	* * * - - *	Hook Saddle Oil Gauge Sleeve
412237	* * * - - *	Hook Saddle Oil Gauge
502928	* * * - - -	Hook Shaft Oil Filter Felt
504010-452	* * * - - *	Hook Ball Bearing Retaining Screw (2)
512727	* * * - - *	Hook Saddle Oil Wick
514165	* * * - - *	Hook Saddle Foam Cushion
514166	* * * - - *	Hook Shaft Bushing
514171	* * * - - *	Hook Saddle Cover Plate
514173	* * * - - *	Hook Ball Bearing Retainer (2)
514213	* * * - - *	Bobbin Case Opener Link
544320	* * * - - -	Hook Shaft Oil Filter Holder
544334	* * * * * *	Hook Saddle Screw
544346	* * * - - *	Hook Saddle Cover Plate Screw (2)
544356	* * * - - *	Bobbin Case Opener Crank Cap Screw
544356	* * * - - *	Bobbin Case Opener Link Cap Screw
544358	* * * - - *	Hook Saddle Oil Regulating Screw Check Screw
544358	* * * - - *	Bobbin Case Opener Crank Hinge Stud Set Screw
544358	* * * - - *	Bobbin Case Opener Crank Hinge Stud Set Screw Check Screw
544364	* * * - - *	Pinch Sleeve Screw
544366	* * * - - *	Bobbin Case Opener Driving Cam Shaft Gear (spiral) Set Screw (2)
544366	* * * - - *	Hook Driving Pinion (spiral) Set Screw (2)
544367	* * * - - *	Hook Saddle Oil Regulating Screw
544379	* * * - - *	Hook Saddle Oil Reservoir Screw (8)
545080	* * * - - *	Hook Saddle Oil Stop Screw
549027	* * * * * *	Bobbin Case Opener Screw



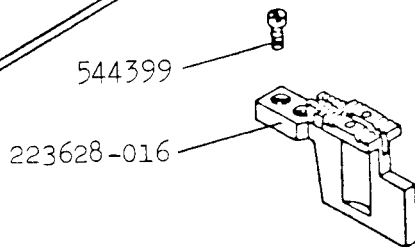
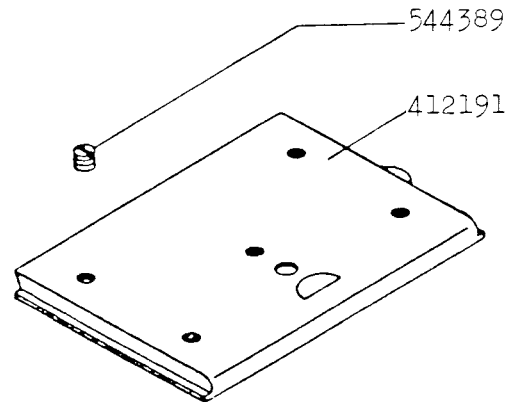
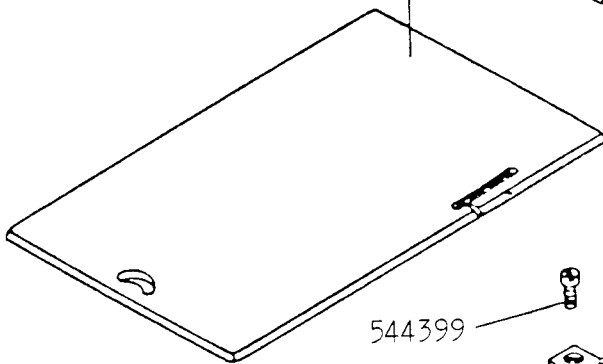
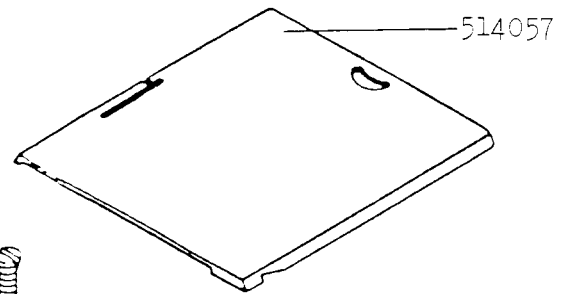
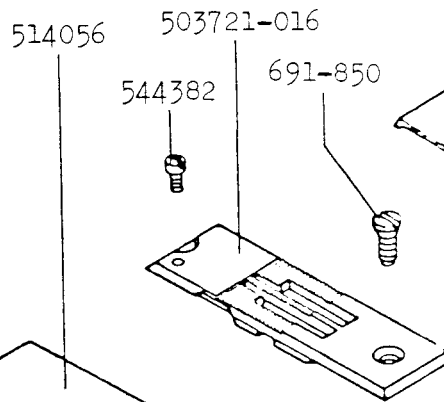
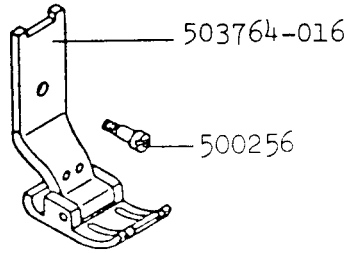
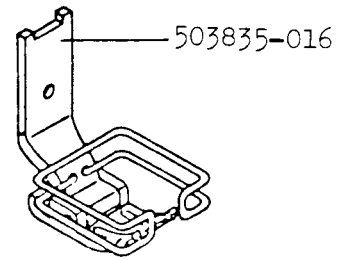
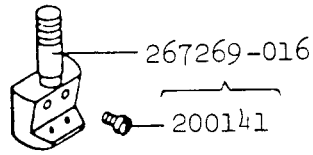
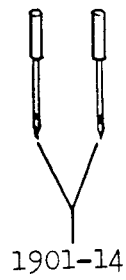
No.	212U141 442 211U157 165 166 566	Description
225585	* * * * *	Hook Saddle Screw Washer
244084	* * * - - *	Hook Saddle Oil Regulating Screw Check Screw Packing
267053	* * * - - *	Hook Ball Bearing
267139	* * * - - *	Pinch Sleeve (lower)
267199	* * * - - -	Hook Saddle Oil Reservoir (left)
267212	* * * - - *	Hook Saddle Oil Reservoir Gasket
267351	* * * - - -	Bobbin Case Opener
267370	* * * - - *	Bobbin Case Opener Driving Cam Shaft Bushing (lower)
267371	* * * - - *	Bobbin Case Opener Driving Cam Shaft Bushing (upper)
271808	* * * - - -	Hook Shaft Oil Filter Felt Holder Seal
412112	* * * - - *	Bobbin Case Opener Cam Shaft
412113	* * * - - *	Bobbin Case Opener Driving Cam Shaft Gear (spiral) with 544366 (2)
412115	* * * - - *	Pinch Sleeve (upper)
412157	* * * - - -	Hook Shaft with 271808, 502928, 544320
412158	* * * - - -	Bobbin Case Opener Crank
412185	* * - - - -	Hook Saddle (left) complete 244084, 267053, 267199, 267212, 412112, 412113, 412157, 412158, 412186, 412187, 412206, 504010-452 (2), 514172, 514173 (2), 514320, 544346 (2), 544356 (2), 544358, 544367, 544379 (8), 544383 (2)
412186	* * - - - -	Hook Saddle (left) with 267370, 267371, 412236-900, 545080, 512727, 514165
412187	* * - - - -	Bobbin Case Opener Crank Hinge Stud (left)
412206	* * * - - -	Hook Driving Pinion (spiral) with 544366 (2)
412236-900	* * * - - *	Hook Saddle Oil Gauge Sleeve
412237	* * * - - *	Hook Saddle Oil Gauge
502928	* * * - - -	Hook Shaft Oil Filter Felt
504010-452	* * * - - *	Hook Ball Bearing Retainer Screw (2)
512727	* * * - - *	Hook Saddle Oil Wick
514165	* * * - - *	Hook Saddle Foam Cushion
514166	* * * - - *	Hook Shaft Bushing
514172	* * - - - -	Hook Saddle Cover Plate
514173	* * * - - *	Hook Ball Bearing Retainer (2)
514320	* * - - - -	Bobbin Case Opener Link (left)
544320	* * * - - -	Hook Shaft Oil Filter Felt Holder
544334	* * * * * *	Hook Saddle Screw
544346	* * * - - *	Hook Saddle Cover Plate Screw (2)
544356	* * * - - *	Bobbin Case Opener Crank Cap Screw
544356	* * * - - *	Bobbin Case Opener Link Cap Screw
544358	* * * - - *	Hook Saddle Oil Regulating Screw Check Screw
544364	* * * - - *	Pinch Sleeve Screw
544366	* * * - - *	Bobbin Case Opener Driving Cam Shaft Gear (spiral) Set Screw (2)
544366	* * * - - *	Hook Driving Pinion (spiral) Set Screw (2)
544367	* * * - - *	Hook Saddle Oil Regulating Screw
544379	* * * - - *	Hook Saddle Oil Reservoir Screw (8)
544383	* * - - - -	Bobbin Case Opener Crank Hinge Stud (left) Screw (2)
545080	* * * - - *	Hook Saddle Oil Stop Screw



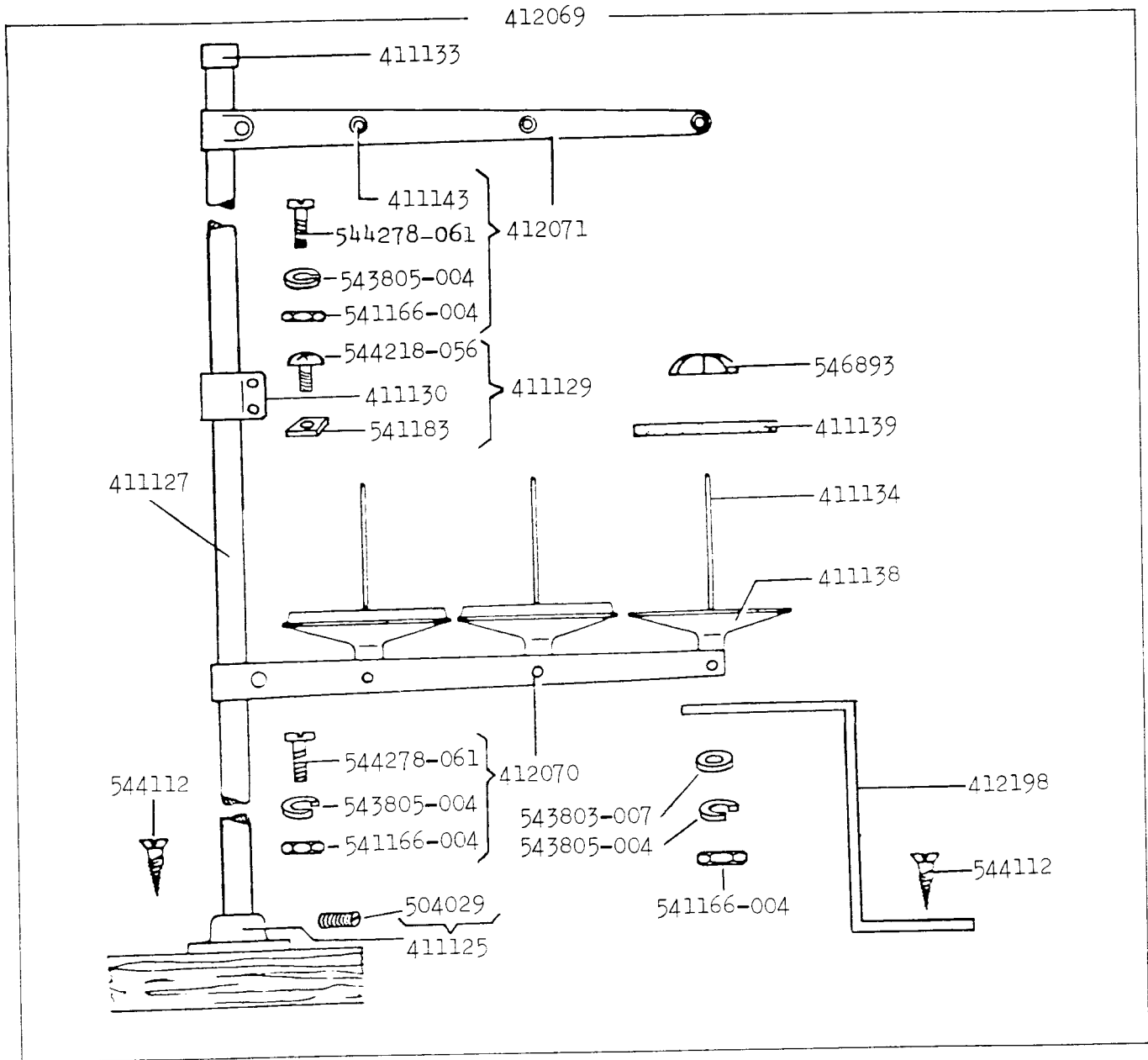
No.	212U141	442	211U157	165	166	566	Description
140434	*	*	*	-	-	-	Hook Set Screw (4)
200591	*	*	*	-	-	-	Hook Thread Guard Screw (4)
200594	*	*	*	*	*	-	Bobbin Case Tension Spring Screw (2)
201016	*	*	-	-	-	-	Bobbin Case Tension Spring Regulating Screw (2)
201253	*	*	*	-	-	-	Hook Gib Screw (4)
201409	*	*	*	*	*	-	Hook Needle Guard Screw (4)
202056	*	*	*	*	*	*	Bobbin Case Latch Pin (2)
203216	*	*	*	*	*	-	Bobbin Case Washer (cloth) (2)
203473	*	*	*	*	*	-	Bobbin Case Latch Plunger (2)
203474	*	*	*	*	*	-	Bobbin Case Latch Spring (2)
203648	*	*	*	*	*	-	Bobbin Case Latch (2)
236082	*	*	-	-	-	-	Bobbin Case (2) with 200594, 201016, 202056, 203216, 203473, 203474, 203648, 236081, 236083
236083	*	*	-	-	-	-	Bobbin Case Tension Spring (2)
244750	*	*	*	*	*	-	Bobbin (2)
267355	*	*	*	-	-	-	Hook (sewing) (2) with 140434
267356	*	*	*	-	-	-	Hook complete (2) 200591 (2), 201253 (2), 201409 (2), 267355, 267358, 267359, 267360, 350574
267357	*	*	-	-	-	-	Hook and Bobbin Case complete (2) 236082, 267356
267358	*	*	*	-	-	-	Hook Gib (2)
267359	*	*	*	-	-	-	Hook Needle Guard (2)
267360	*	*	*	-	-	-	Hook Thread Guard (2)
350574	*	*	*	-	-	-	Hook Height Adjusting Screw (2)



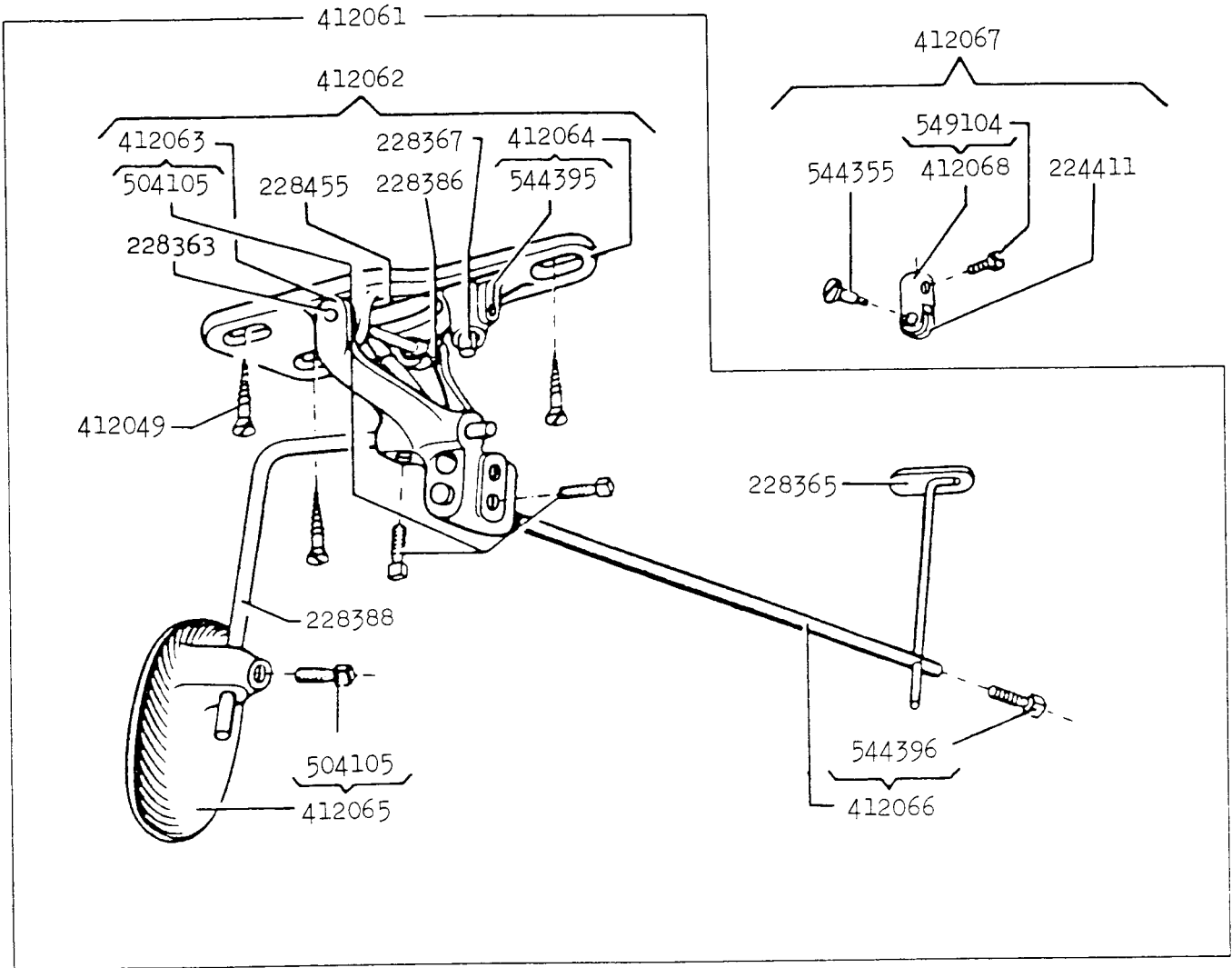
No.	212U141 442 211U157 165 166 566	Description
691	* * * - * *	Feed Reversing Lever Guide Roller Position Plate Screw (2)
201829	* * * - * *	Feed Reversing Lever Guide Roller
244071	* * * - * *	Feed Driving Eccentric Connection Link Hinge Pin Oil Packing (Wick)
255168	* * * - * *	Bed Oil Cup (2)
267406	* * * - * *	Feed Driving Eccentric Connection Link
267415	* * * - * *	Feed Reversing Lever Spring
276046	* * * - * *	Feed Reversing Shaft Crank Hinge Stud Oil Packing (Wick)
276160	* * * - * *	Feed Reversing Lever Handle
276171	* * * - * *	Feed Driving Eccentric Connection Link Hinge Pin with 244071
276174	* * * - * *	Feed Reversing Mechanism Support Link Stud
412075	* * * - * -	Reverse Feed complete 267406, 276171, 412076, 412077, 412078, 412079, 508341, 544365, 545425-451
412076	* * * - * -	Feed Reversing Shaft Crank Link with 544409
412077	* * * - * -	Feed Reversing Shaft Crank with 544335, 544409
412078	* * * - * *	Feed Driving Rock Shaft Crank with 545139
412079	* * * - * -	Feed Reversing Mechanism Support Link with 544409
412080	* * * - * *	Feed Reversing Lever Spring Collar with 544412 (2)
412081	* * * - * *	Feed Reversing Shaft complete 412082, 544336
412082	* * * - * *	Feed Reversing Shaft
412083	* * * - * *	Feed Reversing Lever Guide Roller Position Plate
412107	* * * - * *	Feed Reversing Lever
412188	* * - - - -	Feed Reversing Shaft Driving Stud
508341	* * * - * *	Feed Reversing Shaft Crank Hinge Stud complete 276046, 514092
514092	* * * - * *	Feed Reversing Shaft Crank Hinge Stud
541186	* * * - * *	Feed Reversing Lever Handle Screw Nut
544321	* * * - * *	Feed Reversing Mechanism Support Link Stud Set Screw
544335	* * * - * *	Feed Reversing Shaft Crank Pinch Screw
544336	* * * - * *	Feed Reversing Shaft Driving Stud Pinch Screw
544340	* * * - * *	Feed Reversing Lever Hinge Screw
544342	* * * - * *	Feed Reversing Lever Guide Roller Screw Stud
544348	* * * - * *	Feed Reversing Lever Handle Screw
544365	* * * - * *	Feed Driving Rock Shaft Crank Hinge Screw
544409	* * * - * *	Feed Reversing Shaft Crank Hinge Stud Set Screw
544409	* * * - * *	Feed Driving Eccentric Connection Link Hinge Pin Set Screw
544409	* * * - * *	Feed Reversing Shaft Crank Hinge Stud Set Screw
544412	* * * - * *	Feed Reversing Lever Spring Collar Set Screw (2)
545139	* * * - * *	Feed Driving Rock Shaft Crank Pinch Screw
545425-451	* * * - * *	Feed Driving Rock Shaft Crank Hinge Screw Nut



No.	212U141 442 211U157 165 166 566	Description
691-850	* * * * *	Throat Plate Screw.
1901-14	* * - - - -	Needle (135x7 #14) (2)
200141	* * - - - -	Needle Set Screw (2)
223628-016	* * - - - -	Feed Dog
267269-016	* * - - - -	Needle Holder with 200141 (2) (1/4", 6.4mm)
412191	* - - - - -	Attachment Slide Plate
500256	* * * * *	Presser Foot Screw
503721-016	* * - - - -	Throat Plate (1/4", 6.4mm)
503764-016	* * - - - -	Presser Foot complete (1/4", 6.4mm)
503835-016	* * - - - -	Presser Foot with Finger Guard
514056	* * - - - -	Bed Slide (front)
514057	* * - - - -	Bed Slide (back)
544382	* * - - - -	Throat Plate Clamp Screw
544389	* * - - - -	Attachment Slide Plate Lock Screw
544399	* * * * *	Feed Dog Screw (2)



No.	212U141 442 211U157 165 166 566	Description
411125	* * * * *	Thread Unwinder Foot With 504029
411127	* * * * *	Thread Unwinder Rod (2)
411129	* * * * *	Thread Unwinder Rod Connection Complete 411130, 541183, 544218-056
411130	* * * * *	Thread Unwinder Rod Connection (2)
411133	* * * * *	Thread Unwinder Rod Cap
411134	* * * * *	Thread Unwinder Spool (3)
411138	* * * * *	Thread Unwinder Spool Carrier Plate (3)
411139	* * * * *	Thread Unwinder Spool Cushion (3)
411143	* * * * *	Thread Unwinder Thread Guide Bushing (3)
412069	* * * * *	Thread Unwinder Complete 411125, 411127, 411129, 411133, 411138, 411139, 412070, 412071, 544112, 546893
412070	* * * * *	Thread Unwinder Spool Carrier Arm With 541166-001, 543805-004, 544278-061
412071	* * * * *	Thread Unwinder Thread Guide With 411143, 541166-001, 543805-004, 544278-061
412198	* * * * *	Thread Unwinder Spool Carrier Arm Holder Plate
504029	* * * * *	Thread Unwinder Rod Set Screw (2)
541166-004	* * * * *	Thread Unwinder Spool Nut (3)
541166-004	* * * * *	Thread Unwinder Spool Carrier Arm Screw Nut
541166-004	* * * * *	Thread Unwinder Thread Guide Nut
541183	* * * * *	Thread Unwinder Rod Connection Screw Nut (2)
543803-007	* * * * *	Thread Unwinder Spool Washer (3)
543805-004	* * * * *	Thread Unwinder Spool Spring Washer (3)
543805-004	* * * * *	Thread Unwinder Spool Carrier Arm Screw Spring Washer
543805-004	* * * * *	Thread Unwinder Thread Guide Spring Washer (3)
544112	* * * * *	Thread Unwinder Wood Screw (3)
544112	* * * * *	Thread Unwinder Spool Carrier Arm Holder Plate Wood Screw
544218-056	* * * * *	Thread Unwinder Rod Connection Screw (2)
544278-061	* * * * *	Thread Unwinder Spool Carrier Arm Screw
544278-061	* * * * *	Thread Unwinder Thread Guide Screw
546893	* * * * *	Thread Unwinder Spool Holder (3)



No.	212U141 442 211U157 165 166 566	Description
224411	* * * * *	Knee Lifter Connection Lever Lifting Rod Roller
228363	* * * * *	Knee Lifter Rock Lever Hinge Pin
228365	* * * * *	Knee Lifter Rock Lever Rod
228367	* * * * *	Knee Lifter Rock Lever Stop Stud
228386	* * * * *	Knee Lifter Rock Lever Spring
228388	* * * * *	Knee Lifter Rock Lever Knee Plate Arm
228455	* * * * *	Knee Lifter Rock Lever Position Spring
412049	* * * * *	Wood Screw (7/8 Inch, No. 12) (3)
412061	* * * * *	Knee Lifter Rock Lever Complete 228365, 228388, 412049 (3), 412062, 412065, 412066
412062	* * * * *	Knee Lifter Rock Lever Bracket Complete 228363, 228367, 228386, 228455, 412063, 412064
412063	* * * * *	Knee Lifter Rock Lever With 504105 (2)
412064	* * * * *	Knee Lifter Rock Lever Bracket With 544395
412065	* * * * *	Knee Lifter Rock Lever Knee Plate With 504105
412066	* * * * *	Knee Lifter Rock Lever Extension With 544396
412067	* * * * *	Knee Lifter Connection Lever Lifting Rod Roller Complete 224411, 412068, 544355
412068	* * * * *	Knee Lifter Connection Lever Lifting Rod Roller Bracket With 549104
504105	* * * * *	Knee Lifter Rock Lever Extension Set Screw
504105	* * * * *	Knee Lifter Rock Lever Knee Plate Arm Set Screw
504105	* * * * *	Knee Lifter Rock Lever Knee Plate Set Screw
544355	* * * * *	Knee Lifter Connection Lever Lifting Rod Roller Hinge Screw
544395	* * * * *	Knee Lifter Rock Lever Stop Stud Set Screw
544396	* * * * *	Knee Lifter Rock Lever Rod Set Screw
549104	* * * * *	Knee Lifter Connection Lever Lifting Rod Roller Pinch Screw

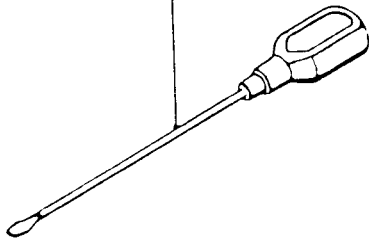
1901-14



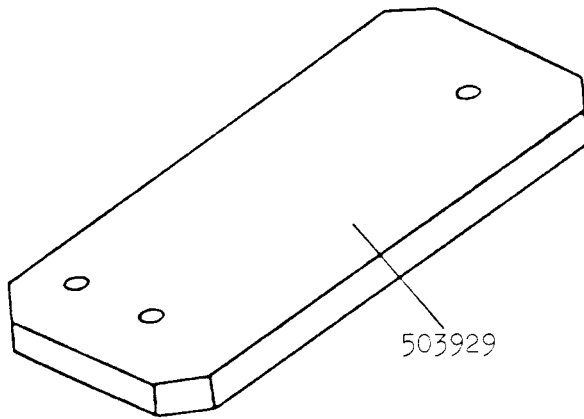
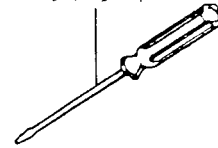
244750



548701

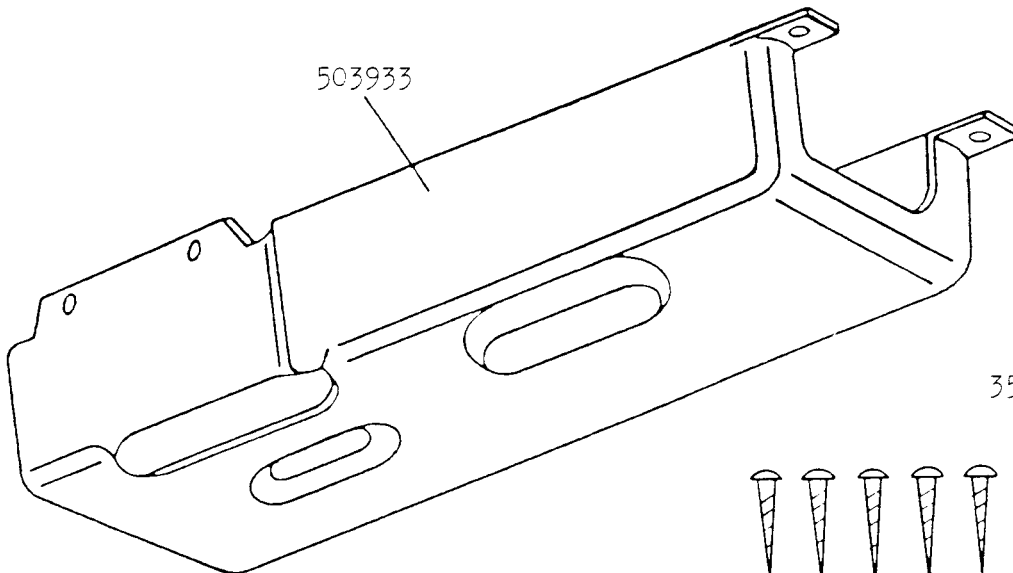
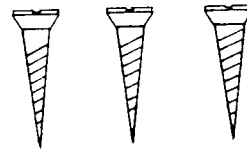


541514



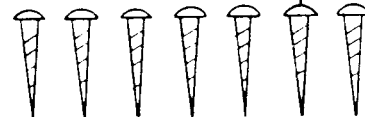
503929

511606

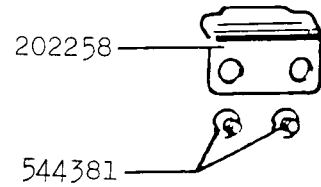
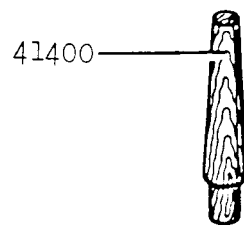


503933

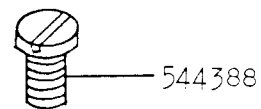
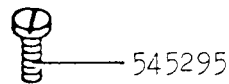
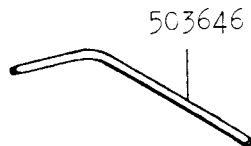
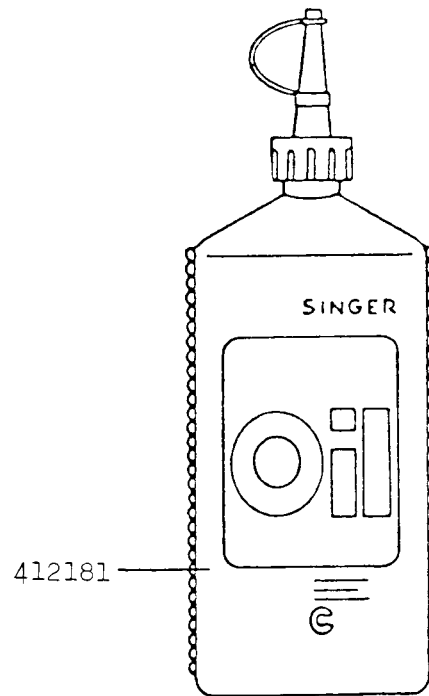
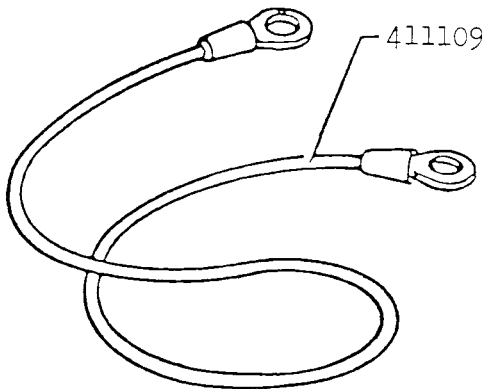
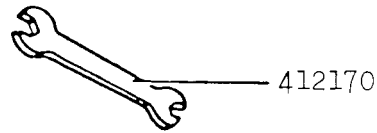
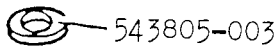
350708



No.	2120141 442 2110157 165 166 566	Description
1901-14	* * - - - -	Needle (135 x 7 #14) (5)
244750	* * * * * -	Bobbin (4)
350708	* * * * * *	Drip Pan Screw Nail (7)
503929	* * * * * *	Knee Lifter Base
503933	* * * * * *	Drip Pan
511606	* * * * * *	Knee Lifter Base Wood Screw (3)
541514	* * * * * *	Screw Driver (small)
548701	* * * * * *	Screw Driver (long)

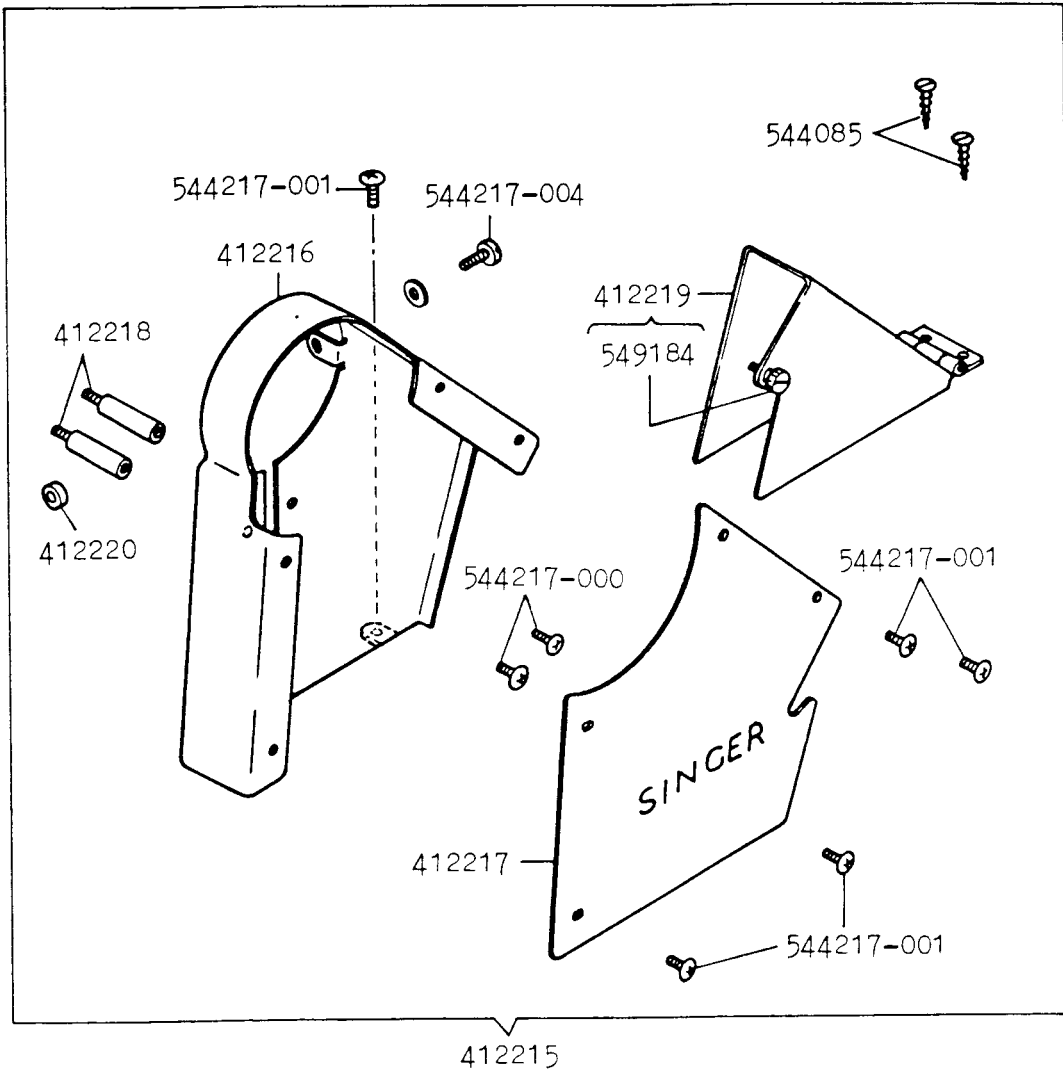


412212 Isolation
Hinge



No.	212U141 442 211U157 165 166 566	Description
41400	* * * * *	Machine Rest Pin (wood)
202258	* * * * *	Bed Hinge Connection (2)
411109	* * * * *	Machine Grounding Wire
412170	* * * * *	Wrench
412181	* * * * *	Oiler (250cc, C-Type)
503646	* * * * *	Wrench (3/32 inch, Hexagon)
543805-003	* * * * *	Machine Grounding Wire Lock Washer
544381	* * * * *	Bed Hinge Connection Screw (4)
544388	* * * * *	Attachment Screw (large)
545295	* * * * *	Attachment Screw (small)

OPTIONAL PARTS



No.	212U141 442 211U157 165 166 566	Description
		<p><u>OPTION</u></p> <p>412215 * * * * * Belt Guard Cpl. 412216, 412217, 412218 (2), 412219, 412220, 544085 (2), 544217-001 (7), 544217-004</p> <p>412216 * * * * * Belt Guard</p> <p>412217 * * * * * Belt Guard Plate</p> <p>412218 * * * * * Belt Guard Screw Stud (2)</p> <p>412219 * * * * * Belt Guard (lower) with 549184</p> <p>412220 * * * * * Belt Guard Screw Collar</p> <p>544085 * * * * * Belt Guard (lower) Wood Screw (2)</p> <p>544217-001 * * * * * Belt Guard Screw (3)</p> <p>544217-001 * * * * * Belt Guard Plate Screw (4)</p> <p>544217-004 * * * * * Belt Guard Screw (long)</p> <p>549184 * * * * * Belt Guard (lower) Thumb Screw</p>