

SINGER
212U UTT

ILLUSTRATED PARTSLIST

FOR

SINGER*

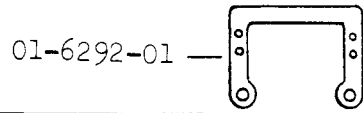
UNDER BED THREAD

TRIMMER

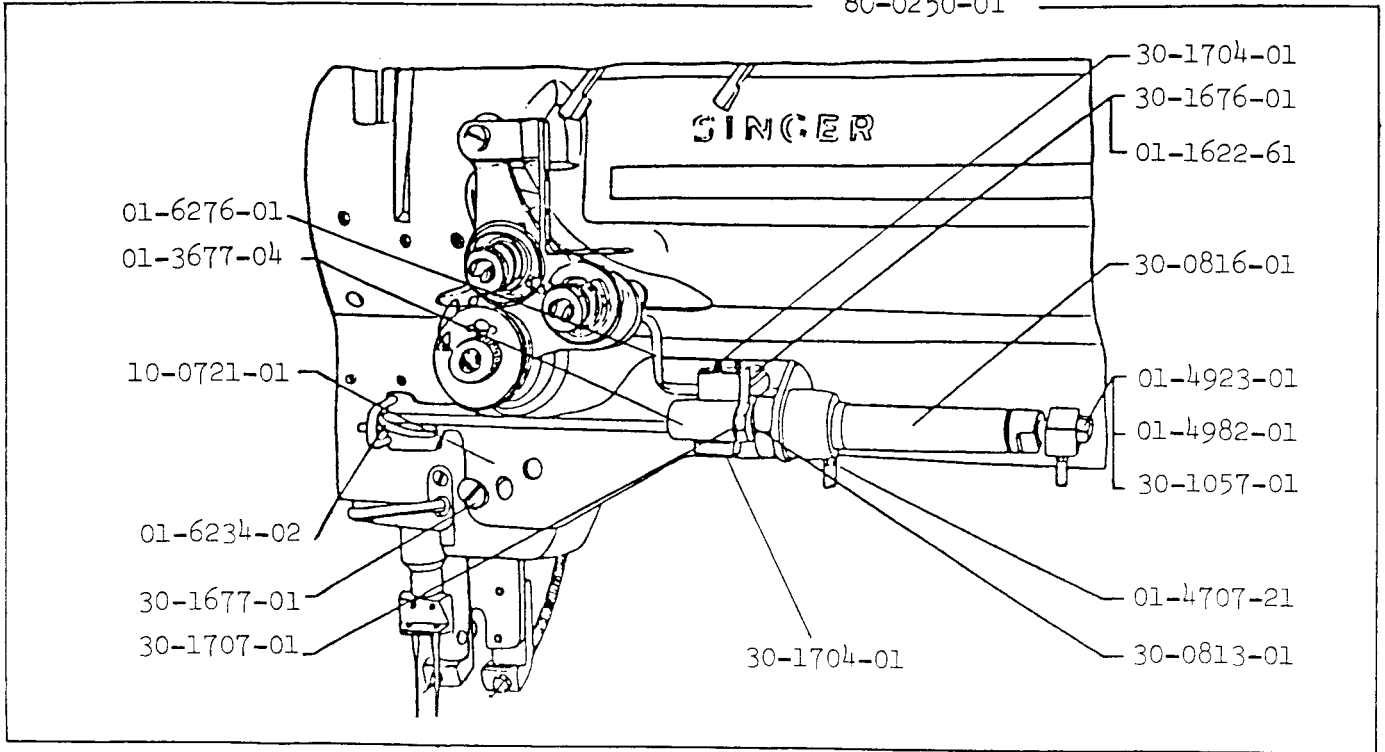
FOR **212U442A**
 212U443A
 212U444A
 212U839A
 212U841A
 212U843A
 212U844A

NOTE: When orderring parts for the following pages add prefix "810-" in front of each number.

212U442A -1-
212U839A
212U841A

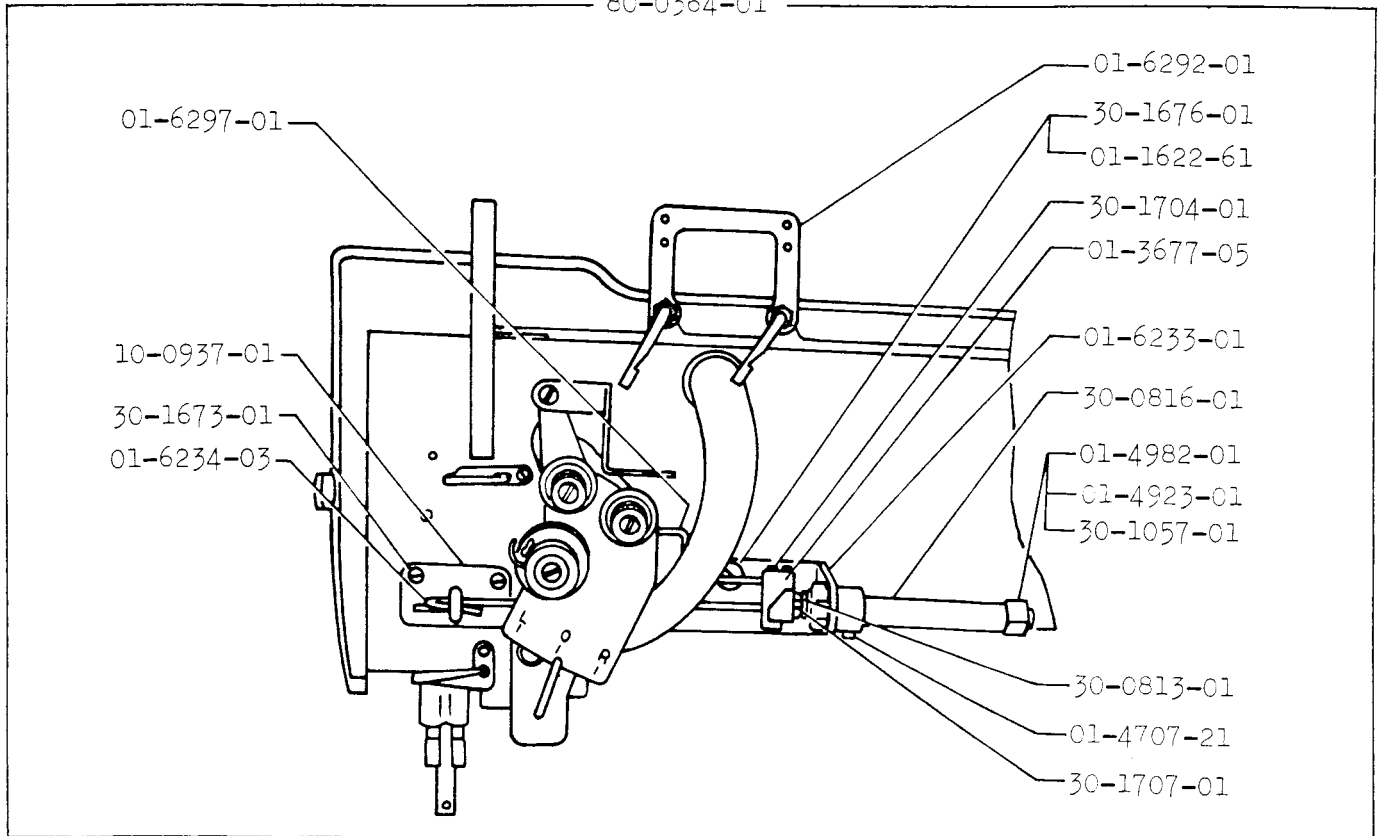


80-0250-01



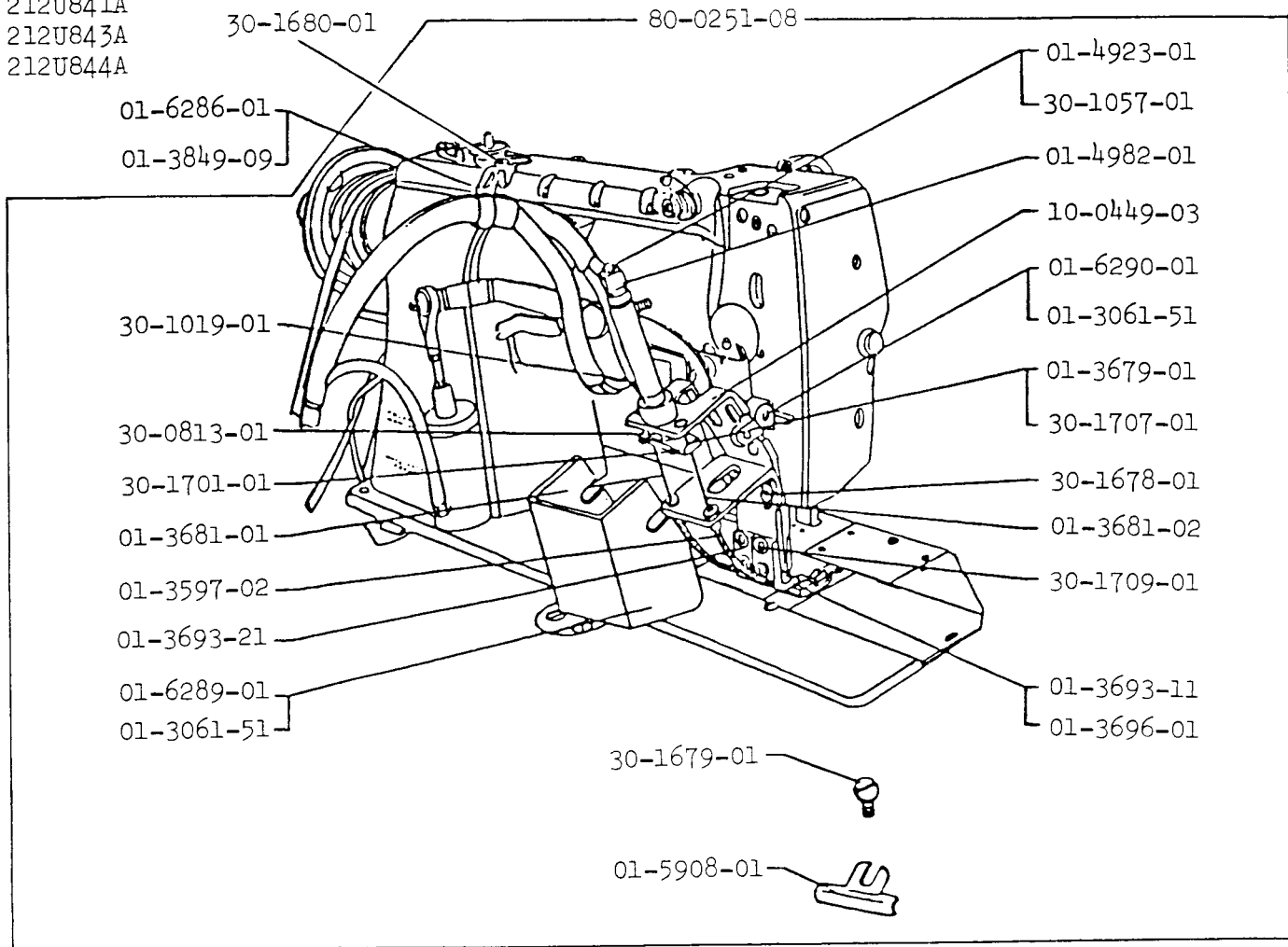
212U443A
212U444A
212U843A
212U844A

80-0364-01

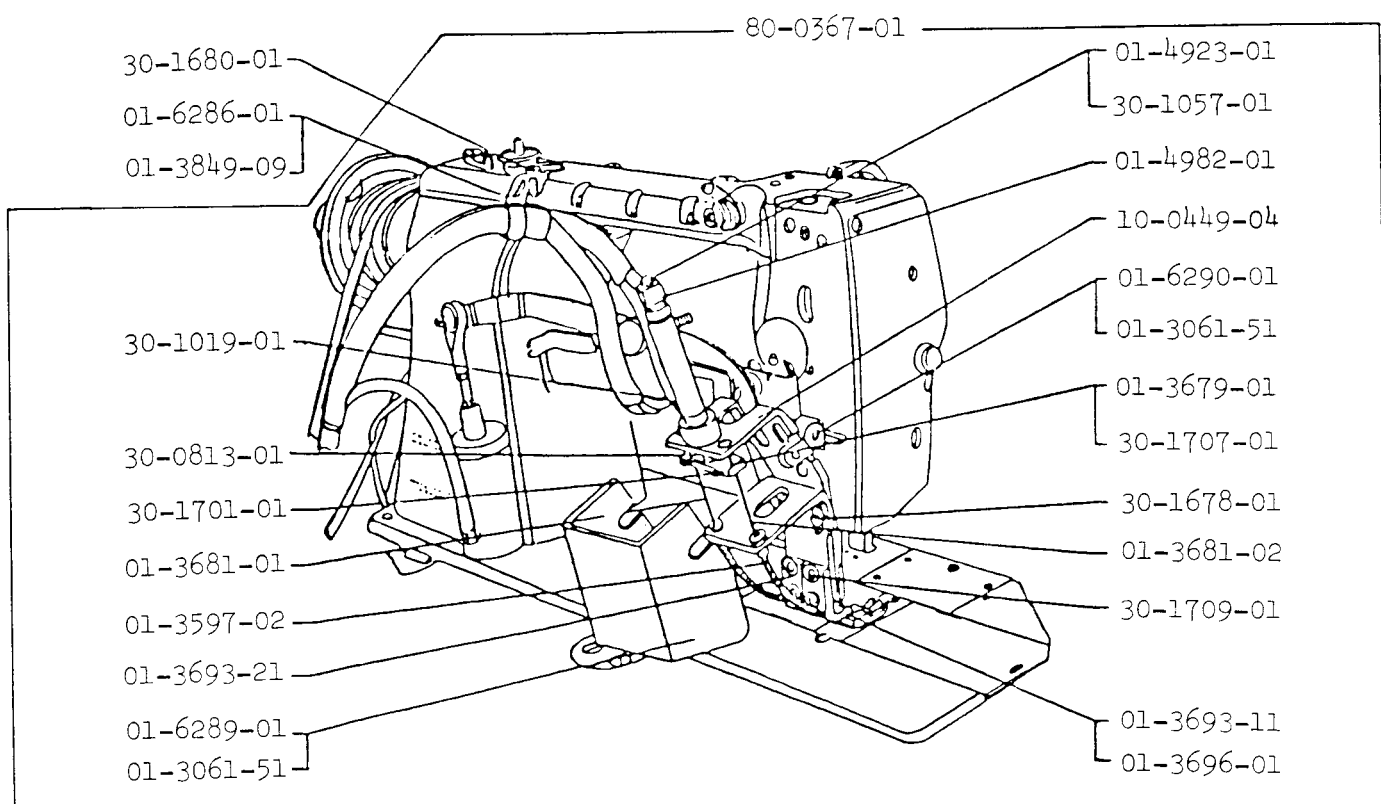


No.	212U 442A 443A 444A 839A 841A 843A 844A	Description
01-1622-61	* * * * *	Spacer
01-3677-04	* - - * * - -	Block - Thread Release Mounting
01-3677-05	- * * - - * *	Block - Thread Release Mounting
01-4707-21	* * * * *	Hose Fitting
01-4923-01	* * * * *	Screw - Universal Elbow
01-4982-01	* * * * *	Elbow - Universal
01-6233-01	- * * - - * *	Bracket - Air Cylinder Mount
01-6234-02	* - - * * - -	Puller - Thread
01-6234-03	- * * - - * *	Puller - Thread
01-6276-01	* - - * * - -	Pin - Tension Release
01-6292-01	* * * * *	Thread Guide
10-0721-01	* - - * * - -	Bracket - Tension Release and Pull-off
10-0937-01	- * * - - * *	Bracket - Pull-off
30-0813-01	* * * * *	"O" Ring - Cylinder Shaft (External)
30-0816-01	* * * * *	Air Cylinder - Tension Release
30-1057-01	* * * * *	Gasket - Humphrey 89-14 (2)
30-1673-01	- * * - - * *	Screw - Pull-off Bracket (2)
30-1676-01	* * * * *	Screw - Air Cylinder Bracket (2)
30-1677-01	* - - * * - -	Screw - Tension Release Bracket
30-1704-01	* * * * *	Screw - Thread Puller (2)
30-1704-01	* * * * *	Screw - Tension Release Pin (2)
30-1707-01	* * * * *	Nut - Air Cylinder Shaft
80-0250-01	* - - * * - -	Tension Release and Pull-off Assembly 01-1622-61, 01-3677-04, 01-4707-21, 01-4923-01, 01-4982-01, 01-6234-02, 01-6276-01, 10-0721-01, 30-0813-01, 30-0816-01, 30-1057-01 (2), 30-1676-01, 30-1677-01, 30-1704-01 (2), 30-1704-01 (2), 30-1707-01
80-0364-01	- * * - - * *	Tension Release and Pull-off Assembly, 01-1622-61, 01-3677-05, 01-4707-21, 01-4923-01, 01-4982-01, 01-6233-01, 01-6234-03, 01-6292-01, 10-0937-01, 30-0813-01, 30-0816-01, 30-1057-01 (2), 30-1673-01 (2), 30-1676-01 (2), 30-1704-01 (2), 30-1704-01 (2), 30-1707-01

212U442A -2-
 212U443A
 212U444A
 212U841A
 212U843A
 212U844A



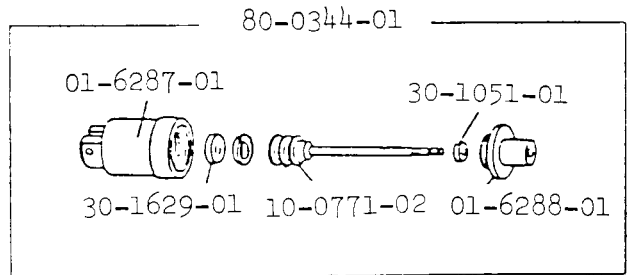
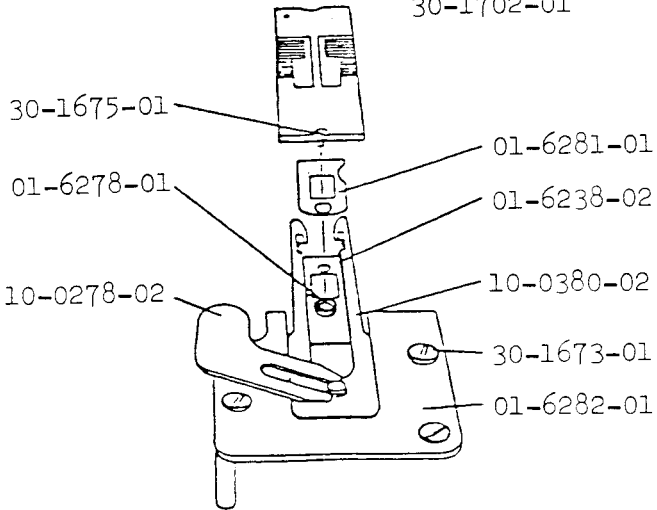
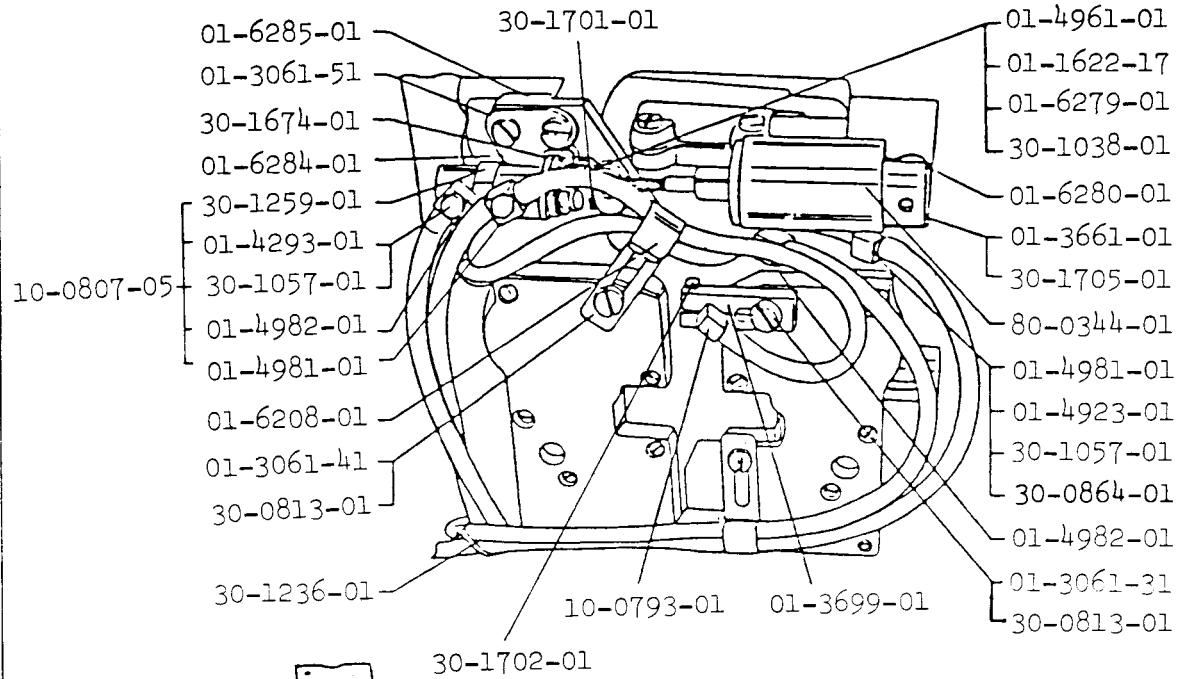
212U839A



No.	212U442A 443A 444A 839A 841A 843A 844A	Description
01-3061-51	* * * * *	Screw - Nut Plate (2)
01-3061-51	* * * * *	Screw - Thread Wiper Cover (2)
01-3597-02	* * * * *	Guide Spring - Thread Puller Hook (2)
01-3679-01	* * * * *	Block - Thread Puller Wire Mount
01-3681-01	* * * * *	Wire - Thread Puller - Right
01-3681-02	* * * * *	Wire - Thread Puller - Left
01-3693-11	* * * * *	Block - Puller Drive - Left
01-3693-21	* * * * *	Block - Puller Drive - Right
01-3696-01	* * * * *	Nipple - Puller Guide (2)
01-3849-09	* * * * *	Spacer - Clamp Mount
01-4923-01	* * * * *	Screw - Universal Elbow (.078") (2)
01-4982-01	* * * * *	Elbow - Air Cylinder (2)
01-5908-01	* * * - * * *	Thread Guard
01-6286-01	* * * * *	Clamp - Polytubing (Top)
01-6289-01	* * * * *	Cover - Thread Wiper
01-6290-01	* * * * *	Nut Plate
10-0449-03	* * * - * * *	Bracket - Air Cylinder Mounting
10-0449-04	- - - * - - -	Bracket - Air Cylinder Mounting
30-0813-01	* * * * *	"O" Ring - Cylinder Shaft (External)
30-1019-01	* * * * *	Air Cylinder - Bimba (1 3/8")
30-1057-01	* * * * *	Gasket - Universal Elbow (4)
30-1678-01	* * * * *	Screw - Bracket Mount (2)
30-1679-01	* * * - * * *	Screw - Thread Guard
30-1680-01	* * * * *	Screw - Polytubing Clamp
30-1701-01	* * * * *	Screw - Thread Puller Clamp Block (2)
30-1707-01	* * * * *	Nut - Hex. Air Cylinder Shaft (#10-32)
30-1709-01	* * * * *	Screw - B.H.M.S. - Puller Guide Block (#5-40x3/8) (4)
80-0251-08	* * * - * * *	Wiper Assembly 01-3061-51 (4), 01-3597-02 (2), 01-3679-01, 01-3681-01, 01-3681-02, 01-3693-11, 01-3693-21, 01-3696-01 (2), 01-4923-01 (2), 01-4982-01 (2), 01-5908-01, 01-6289-01, 01-6290-01, 10-0449-03, 30-0813-01, 30-1019-01, 30-1057-01 (4), 30-1678-01 (2), 30-1679-01, 30-1701-01 (2), 30-1707-01, 30-1709-01 (4)
80-0367-01	- - - * - - -	Wiper Assembly 01-3061-51 (4), 01-3597-02 (2), 01-3679-01, 01-3681-01, 01-3681-02, 01-3693-11, 01-3693-21, 01-3696-01 (2), 01-3849-09, 01-4923-01 (2), 01-4982-01 (2), 01-6286-01, 01-6289-01, 01-6290-01, 10-0449-04, 30-0813-01, 30-1019-01, 30-1057-01 (4), 30-1678-01 (2), 30-1680-01, 30-1701-01 (2), 30-1707-01, 30-1707-01, 30-1709-01 (4)

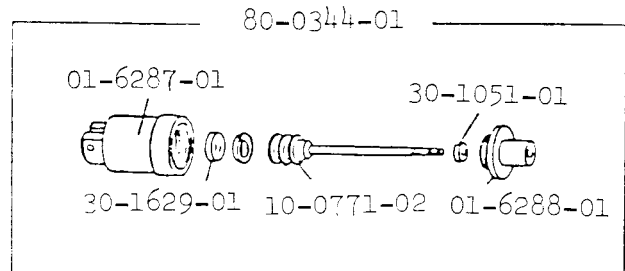
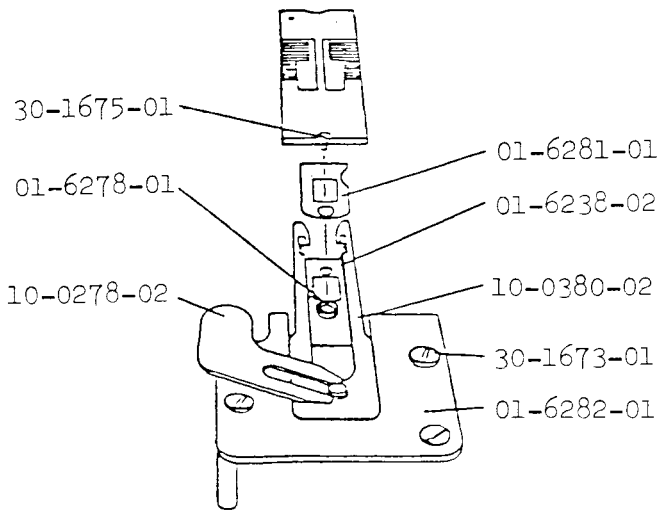
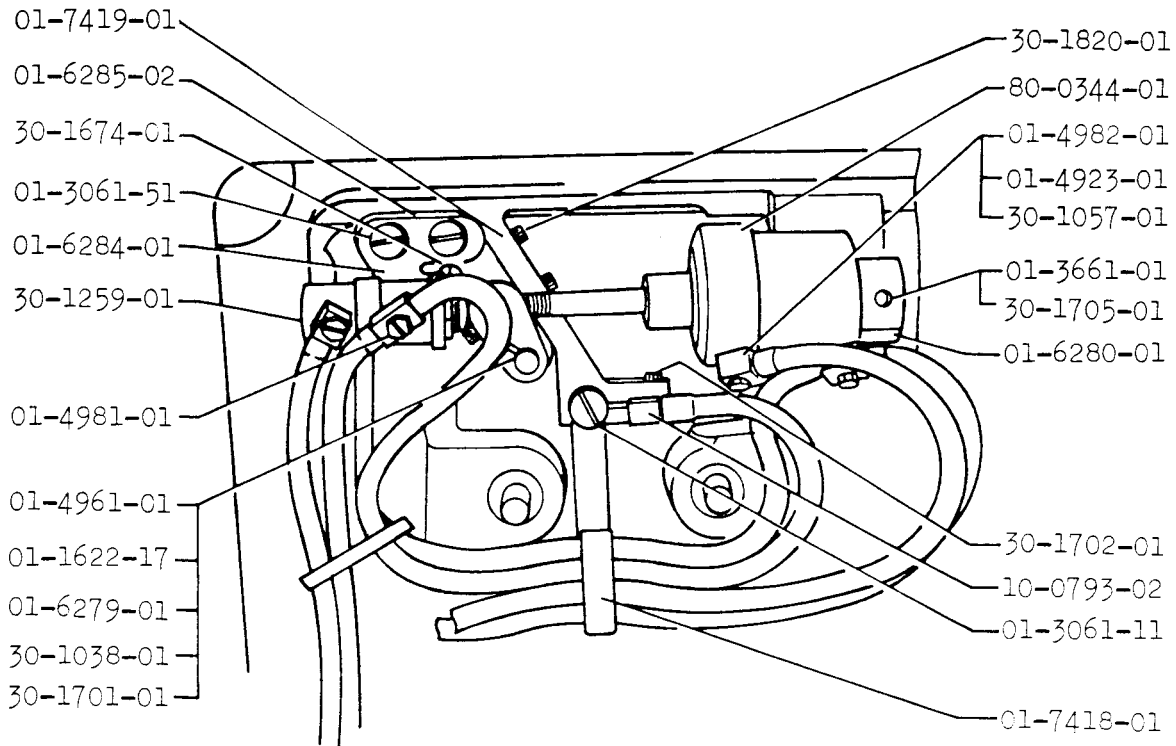
212U442A -3-
 212U443A
 212U444A
 212U839A
 212U841A
 212U843A
 212U844A

80-0342-01

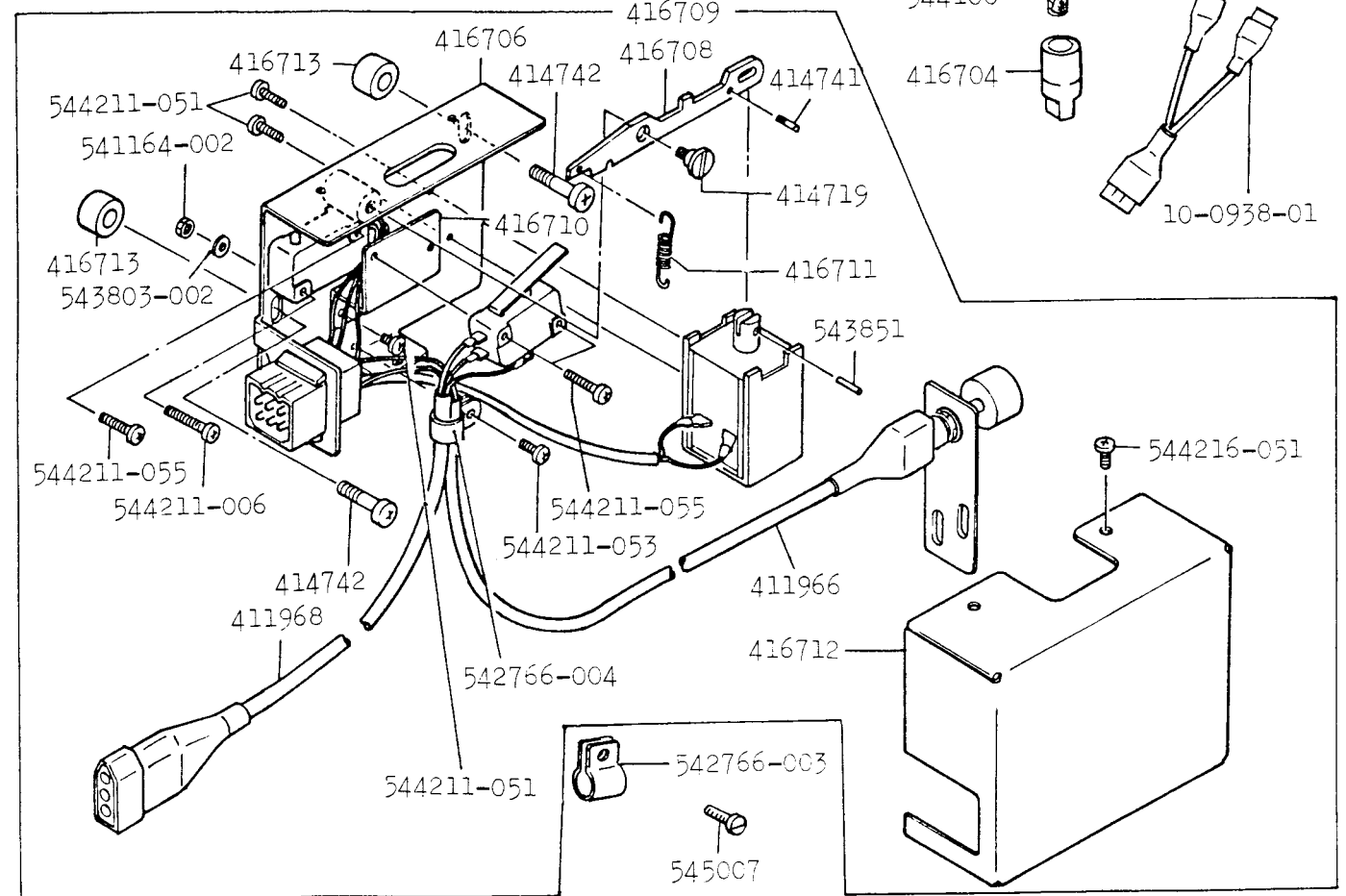
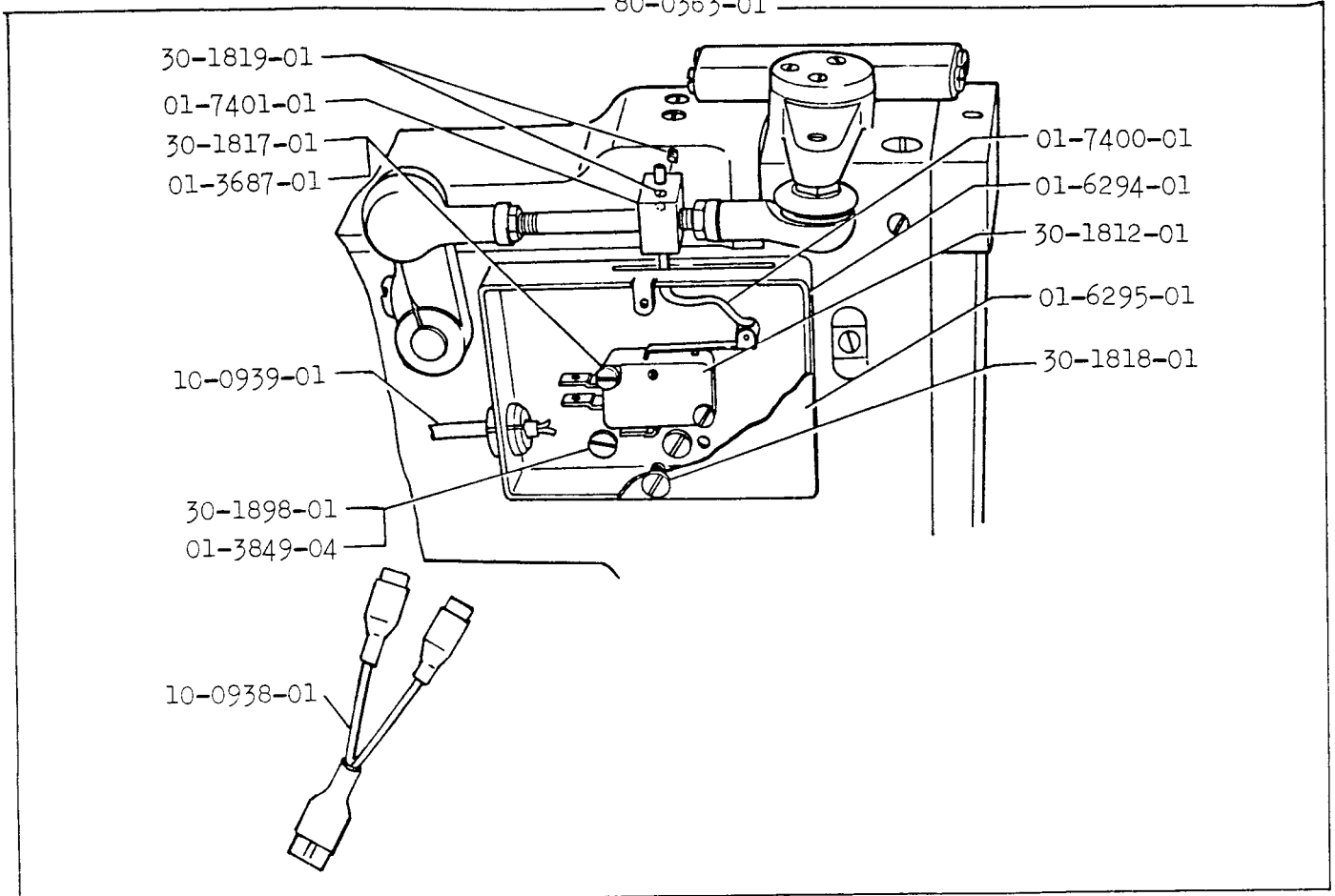


No.	212U442A 443A 444A 839A 841A 843A 844A	Description
01-1622-17	* * * * *	Spacer - Drive Arm
01-3061-31	* * * - * * *	Screw - Polytubing (2)
01-3061-41	* * * - * * *	Screw - Blower Tube Mounting
01-3061-51	* * * * * * *	Screw - Bracket (#10-32x1/2) (2)
01-3661-01	* * * * * * *	Pin - Cylinder Mount
01-3699-01	* * * - * * *	Block - Blower Tube Mounting
01-4923-01	* * * * * * *	Screw - Universal Elbow or Tee (.078") (2)
01-4923-01	* * * * * * *	Screw - Universal Elbow or Tee (.078") (3)
01-4961-01	* * * * * * *	Arm - Blade Drive
01-4981-01	* * * * * * *	Tee
01-4981-01	* * * * * * *	Tee - Universal
01-4982-01	* * * * * * *	Elbow
01-4982-01	* * * * * * *	Elbow - Universal (2)
01-6208-01	* * * - * * *	Clamp - Polytubing (2)
01-6238-02	* * * * * * *	Trapper (1/4")
01-6278-01	* * * * * * *	Spacer - Lower Blade
01-6279-01	* * * * * * *	Pin - Connecting
01-6280-01	* * * * * * *	Bracket - Cylinder Mount
01-6281-01	* * * * * * *	Blade - Lower (1/4")
01-6282-01	* * * * * * *	Guide Plate Lower (1/8" - 3/8")
01-6284-01	* * * * * * *	Bracket - Air Valve Mount
01-6285-01	* * * - * * *	Bracket - Thread Puller Actuate Lever
01-6287-01	* * * * * * *	Body - Air Cylinder
01-6288-01	* * * * * * *	Bearing - Air Cylinder Shaft
10-0278-02	* * * * * * *	Fork and Pin Assembly - Blade Drive
10-0380-02	* * * * * * *	Bobbin Thread Puller (1/4")
10-0771-02	* * * * * * *	Piston and Shaft Assembly
10-0793-01	* * * - * * *	Blower Tube Assembly
10-0807-05	* * * * * * *	Limit Valve Assembly 01-4923-01, 01-4981-01, 01-4982-01, 30-1057-01, 30-1259-01
30-0813-01	* * * - * * *	"O" Ring
30-0813-01	* * * - * * *	"O" Ring (2)
30-0864-01	* * * - * * *	Tubing - Clamp (3/8") (4)
30-1038-01	* * * * * * *	Screw - Connecting Pin
30-1051-01	* * * * * * *	"U" Cup - Shaft
30-1057-01	* * * * * * *	Gasket - Air Fitting (4)
30-1057-01	* * * * * * *	Gasket - Universal Elbow or Tee (6)
30-1236-01	* * * * * * *	Tie - Tubing
30-1259-01	* * * * * * *	Air Valve (4 way)
30-1629-01	* * * * * * *	"U" Cup - Piston (2)
30-1673-01	* * * * * * *	Screw - Guide Plate (3)
30-1674-01	* * * * * * *	Screw - Bearing Bracket (2)
30-1701-01	* * * * * * *	Screw - Driver Arm
30-1702-01	* * * * * * *	Screw - Blower Tube Mounting
30-1705-01	* * * * * * *	Screw - Lower Air Cylinder
80-0342-01	* * * - * * *	Lower Machine Assembly 01-1622-17, 01-3061-31 (2), 01-3061-41, 01-3061-51 (2), 01-3661-01, 01-3699-01, 01-4923-01 (5), 01-4961-01, 01-4981-01 (2), 01-4982-01 (3), 01-6208-01, 01-6238-02, 01-6278-01, 01-6279-01, 01-6280-01, 01-6281-01, 01-6282-01, 01-6284-01, 01-6285-01, 10-0278-02, 10-0380-02, 10-0793-01, 10-0807-05, 30-0813-01 (3), 30-0864-01 (4), 30-1038-01, 30-1057-01 (10), 30-1236-01, 30-1673-01 (3), 30-1674-01 (2), 30-1675-01, 30-1701-01, 30-1702-01, 30-1705-01, 80-0344-01
80-0344-01	* * * * * * *	Air Cylinder 01-6287-01, 01-6288-01, 10-0771-02, 30-1051-01, 30-1629-01 (2)

80-0342-02



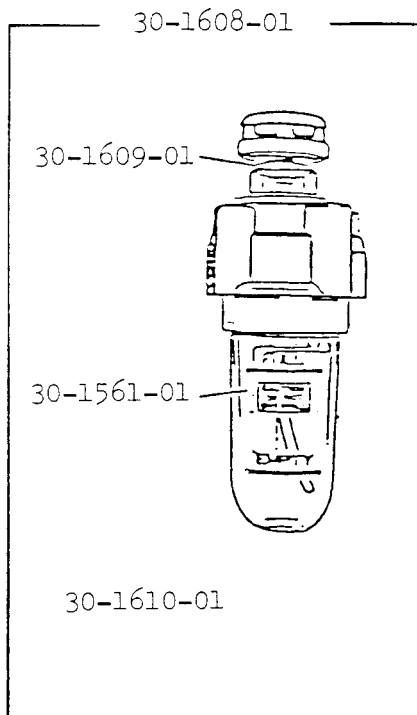
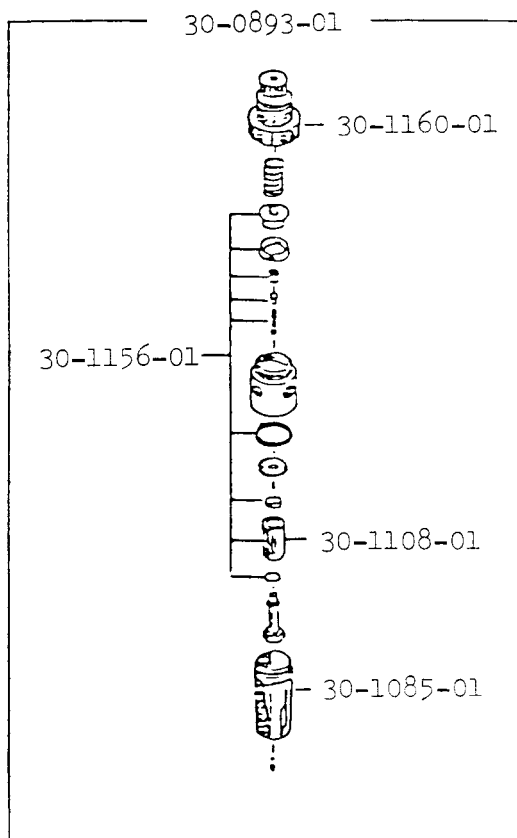
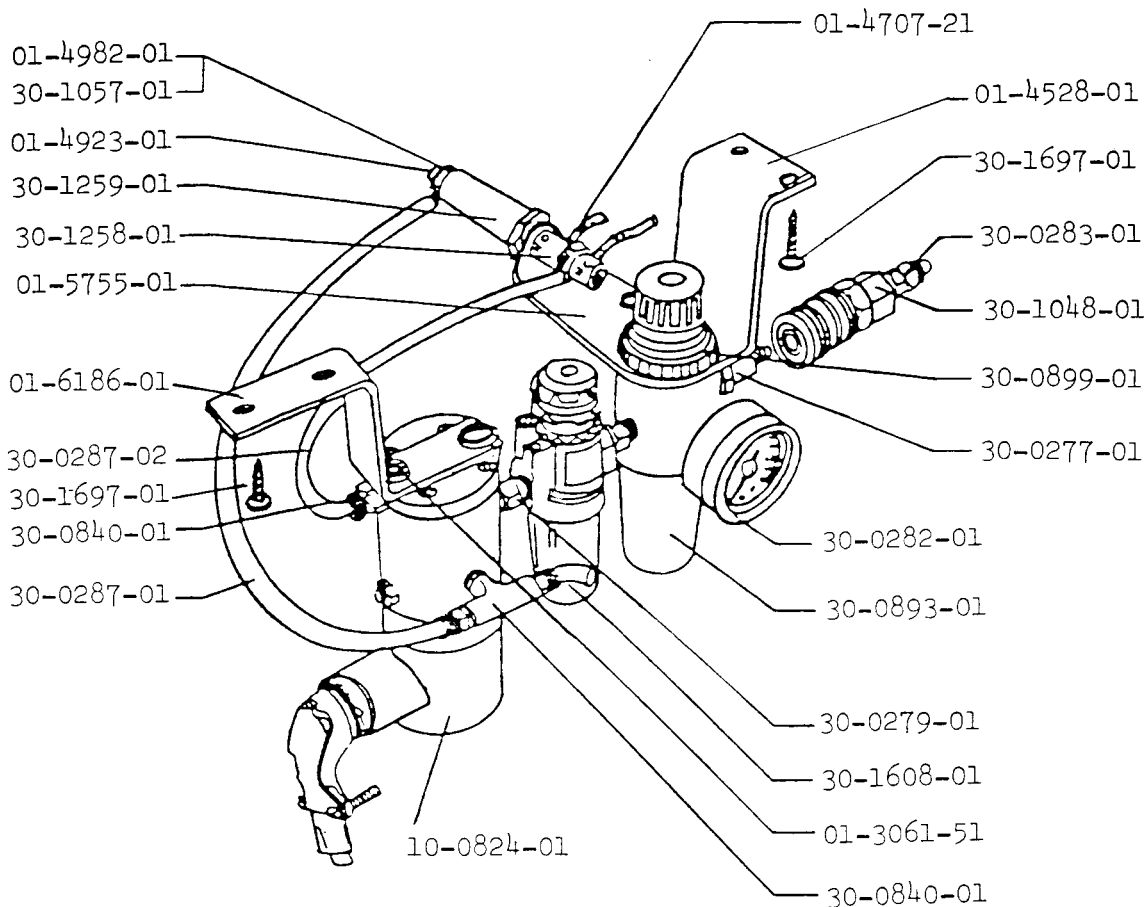
No.	212U442A 443A 444A 839A 841A 843A 844A	Description
01-1622-17	* * * * *	Spacer - Drive Arm
01-3061-11	- - - * - - -	Screw - Polytubing Clamp
01-3061-51	* * * * *	Screw - Limit Valve Bracket Mount (2)
01-3661-01	* * * * *	Pin - Cylinder Mount
01-4923-01	* * * * *	Screw - Universal Elbow or Tee (.078") (5)
01-4961-01	* * * * *	Arm - Blade Drive
01-4981-01	* * * * *	Tee - Universal (2)
01-4982-01	* * * * *	Elbow - Universal (3)
01-6238-02	* * * * *	Trapper (1/4")
01-6278-01	* * * * *	Spacer - Lower Blade
01-6279-01	* * * * *	Pin - Connecting
01-6280-01	* * * * *	Bracket - Cylinder Mount
01-6281-01	* * * * *	Blade - Lower (1/4")
01-6282-01	* * * * *	Guide Plate - Lower (1/8" - 3/8")
01-6284-01	* * * * *	Bracket - Air Valve Mount
01-6285-02	- - - * - - -	Bracket - Thread Puller Actuate Lever
01-6287-01	* * * * *	Body - Air Cylinder
01-6288-01	* * * * *	Bearing - Air Cylinder Shaft
10-0278-02	* * * * *	Fork and Pin Assembly - Blade Drive
10-0380-02	* * * * *	Bobbin Thread Puller (1/4")
10-0771-02	* * * * *	Piston and Shaft Assembly
10-0793-02	- - - * - - -	Blower Tube Assembly
10-0807-05	* * * * *	Limit Valve Assembly 01-4923-01, 01-4981-01, 01-4982-01, 30-1057-01, 30-1259-01
30-1038-01	* * * * *	Screw - Connecting Pin
30-1051-01	* * * * *	"U" Cup - Shaft
30-1057-01	* * * * *	Gasket - Air Fitting (4)
30-1057-01	* * * * *	Gasket - Universal Elbow or Tee (6)
30-1236-01	* * * * *	Tie - Tubing
30-1259-01	* * * * *	Air Valve (4 way)
30-1629-01	* * * * *	"U" Cup - Piston (2)
30-1673-01	* * * * *	Screw - Guide Plate (3)
30-1674-01	* * * * *	Bearing Bracket (2)
30-1701-01	* * * * *	Screw - Drive Arm
30-1702-01	* * * * *	Screw - Blower Tube Mounting
30-1705-01	* * * * *	Screw - Lower Air Cylinder
30-1820-01	- - - * - - -	Screw - Blower Tube Block Mounting (2)
80-0342-02	- - - * - - -	Lower Machine Assembly 01-1622-17, 01-3061-11, 01-3061-51 (2), 01-3661-01, 01-4923-01 (5), 01-4961-01, 01-4981-01 (2), 01-4982-01 (3), 01-6238-02, 01-6278-01, 01-6279-01, 01-6280-01, 01-6281-01, 01-6282-01, 01-6284-01, 01-6285-02, 10-0278-02, 10-0380-02, 10-0793-02, 10-0807-05, 30-1038-01, 30-1057-01 (10), 30-1236-01, 30-1259-01, 30-1673-01 (3), 30-1674-01 (2), 30-1701-01, 30-1702-01, 30-1705-01, 30-1820-01 (2)
80-0344-01	* * * * *	Air Cylinder 01-6287-01, 01-6288-01, 10-0771-02, 30-1051-01, 30-1629-01 (2)



No.	212U 442A 443A 444A 839A 841A 843A 844A	Description
01-3687-01	- * - - - * -	Nut Plate - Switch Mounting
01-3849-04	- * - - - * -	Spacer - Switch Box (2)
01-6294-01	- * - - - * -	Box - Switch
01-6295-01	- * - - - * -	Cover - Switch Box
01-7400-01	- * - - - * -	Actuator - Switch
01-7401-01	- * - - - * -	Block - Actuator
10-0938-01	- * - - - * -	Cable - Adapter
10-0939-01	- * - - - * -	Interlocking Switch Cable Assembly
30-1812-01	- * - - - * -	Switch - Micro
30-1817-01	- * - - - * -	Screw - Switch Mounting (4-40X5/8) (2)
30-1818-01	- * - - - * -	Screw - Switch Box Cover (2)
30-1819-01	- * - - - * -	Screw - Actuator (5-40X1/8)
30-1819-01	- * - - - * -	Screw - Block (5-40X1/8)
30-1898-01	- * - - - * -	Screw - Switch Box Mounting (2)
80-0363-01	- * - - - * -	Interlocking Switch Assembly
411966	- - * - - - *	Lever Change Solenoid and Switch Complete
411968	- - * - - - *	Interlock Switch Complete
414719	- - * - - - *	Lock Arm Ratchet Hinge Screw
414741	- - * - - - *	Interlock Switch Push Screw
414742	- - * - - - *	Lever Change Device Mounting Screw (2)
416704	- - * - - - *	Needle Bar Change Lever Lock Arm
416706	- - * - - - *	Lever Change Device Mounting Bracket
416709	- - * - - - *	Lever Change Device Complete (Interlock)
416708	- - * - - - *	Needle Bar Change Lever Lock Arm Ratchet
416710	- - * - - - *	Interlock Switch Bracket
416711	- - * - - - *	Lock Arm Ratchet Spring
416712	- - * - - - *	Lever Change Device Cover
416713	- - * - - - *	Lever Change Device Mounting Collar (2)
541164-002	- - * - - - *	Needle Bar Change Lever Sensor Switch Nut
542766-003	- - * - - - *	Cord Crip
542766-004	- - * - - - *	Cord Crip (Lever Change)
543803-002	- - * - - - *	Needle Bar Change Lever Sensor Switch Washer
543851	- - * - - - *	Lock Arm Release Solenoid Plunger Pin
544100	- - * - - - *	Needle Bar Change Lever Lock Arm Screw
544211-006	- - * - - - *	Needle Bar Change Lever Sensor Switch Screw (long)
544211-051	- - * - - - *	Lock Arm Release Solenoid Screw (2)
544211-051	- - * - - - *	Interlock Switch Bracket Screw (2)
544211-053	- - * - - - *	Cord Crip Screw (Lever Change)
544211-055	- - * - - - *	Needle Bar Change Lever Sensor Switch Screw (short)
544211-055	- - * - - - *	Interlock Switch Screw (2)
544216-051	- - * - - - *	Lever Change Device Cover Screw (3)
545007	- - * - - - *	Cord Crip Screw

212U442A -6-
 212U443A
 212U444A
 212U839A
 212U841A
 212U843A
 212U844A

81-0402-01

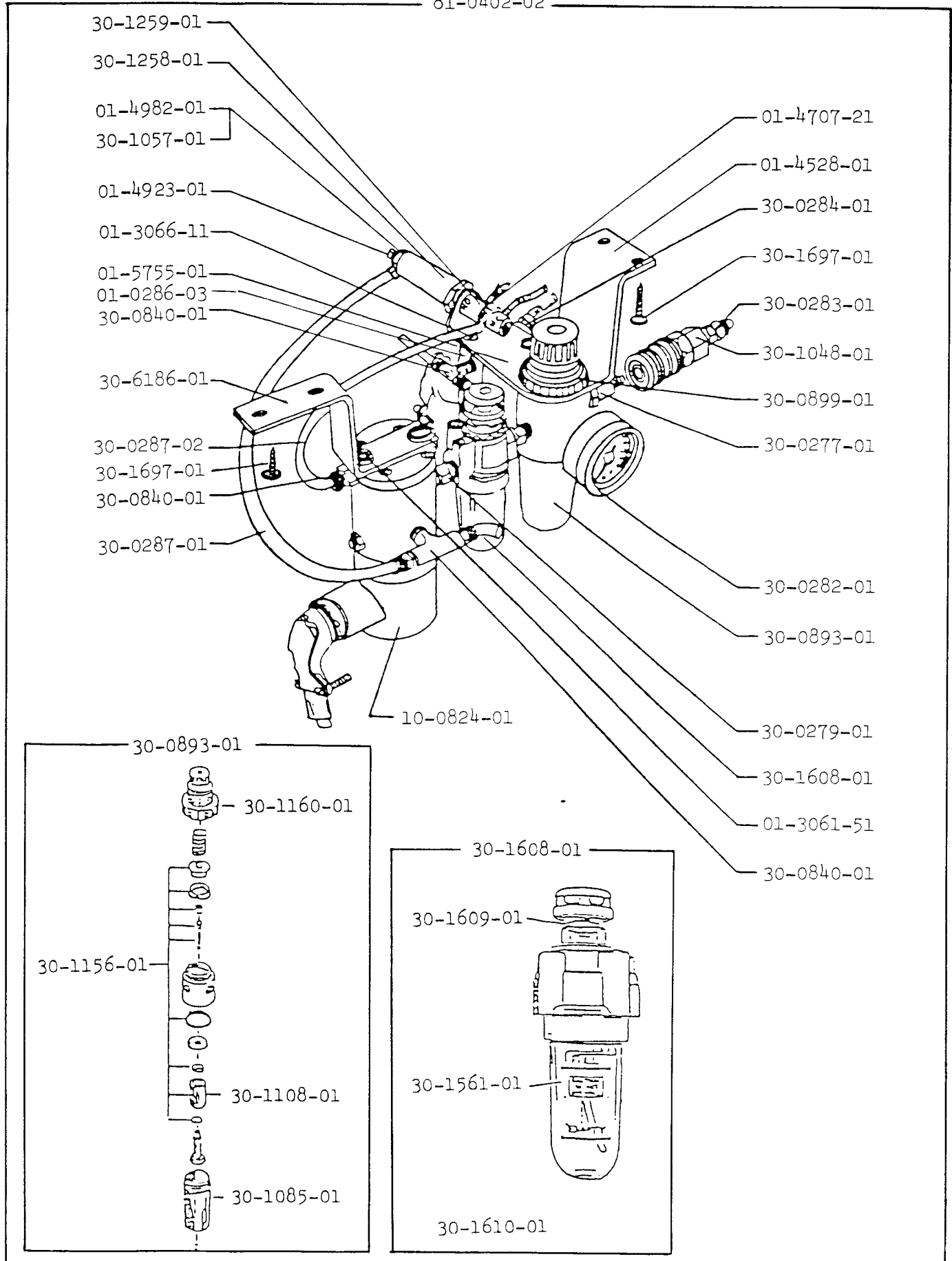


No.	212U 442A, 443A, 444A, 839A, 841A, 843A, 844A			Description
	01	11	21	
01-3061-51	*	*	*	Screw - Mounting Bracket (2)
01-4528-01	*	*	*	Bracket - Regulator Mounting
01-4707-21	*	*	*	Fitting (.078) (3)
01-4923-01	*	*	*	Screw - Elbow (.078)
01-4982-01	*	*	*	Elbow
01-5755-01	*	*	-	Bracket - Pilot Valve Mounting
01-6186-01	*	*	-	Bracket - Valve Mounting (Solenoid)
10-0824-01	*	*	*	Solenoid Air Valve Assembly (4 way)
30-0277-01	*	*	*	Quick Disconnect - Male
30-0279-01	*	*	*	Hex. Nipple
30-0282-01	*	*	*	Gage (0-160 psi)
30-0283-01	*	*	*	Tube Fitting
30-0287-01	*	-	-	Tubing Red - Polyflo
30-0287-02	*	*	*	Tubing Yellow - Polyflo (1=6")
30-0840-01	*	*	*	Tee - Male Branch (2)
30-0893-01	*	*	*	Filter and Regulator 30-1085-01, 30-1108-01, 30-1160-01, 30-1156-01
30-0899-01	*	*	*	Nut - Bracket Mount
30-1048-01	*	*	*	Quick Disconnect - Female
30-1057-01	*	*	*	Gasket - #10-32 Fitting (2)
30-1085-01	*	*	*	Bowl
30-1108-01	*	*	*	Filter Element 5 Micron
30-1156-01	*	*	*	Filter Repair Kit
30-1160-01	*	*	*	Bonnet
30-1258-01	*	*	*	Pilot Actuator
30-1259-01	*	*	*	Pilot Valve
30-1561-01	*	*	*	Bowl
30-1608-01	*	*	*	Oiler 30-1561-01, 30-1609-01, 30-1610-01
30-1609-01	*	*	*	Feed Dome
30-1610-01	*	*	*	Repair Kit All Seals (3)
30-1697-01	*	*	*	Screw - Bracket to Table Mount (2)
30-1697-01	*	*	*	Screw - Bracket to Table Mount (2)
81-0402-01	*	*	*	Air Valve Assembly 01-3061-51 (2), 01-4528-01, 01-4707-21 (3), 01-4923-01, 01-4982-01, 01-5755-01, 01-6186-01, 10-0824-01, 30-0277-01, 30-0279-01, 30-0282-01, 30-0283-01, 30-0287-01, 30-0287-02, 30-0840-01 (2), 30-0893-01, 30-0899-01, 30-1048-01, 30-1057-01 (2), 30-1258-01, 30-1259-01, 30-1608-01, 30-1697-01

212U442A
212U443A
212U444A
212U839A
212U841A
212U843A
212U844A

-7-

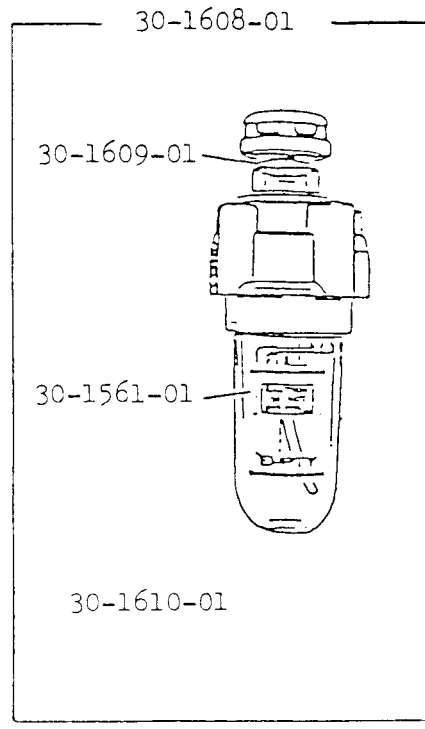
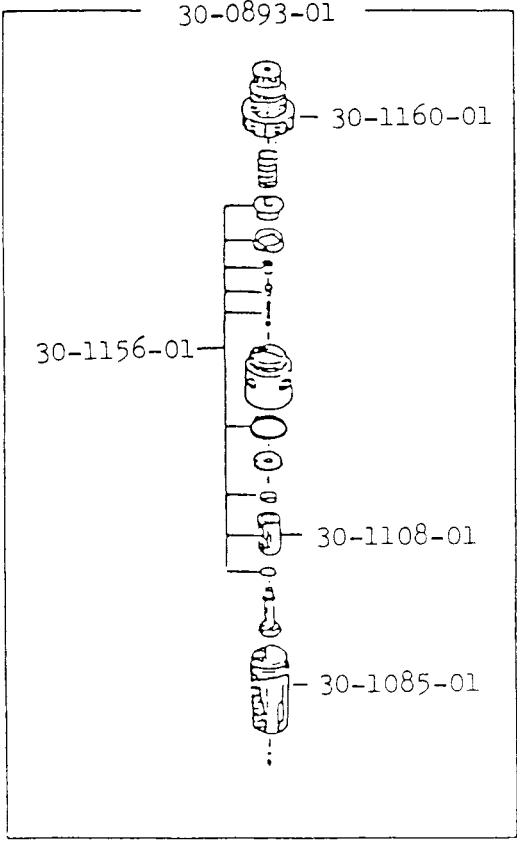
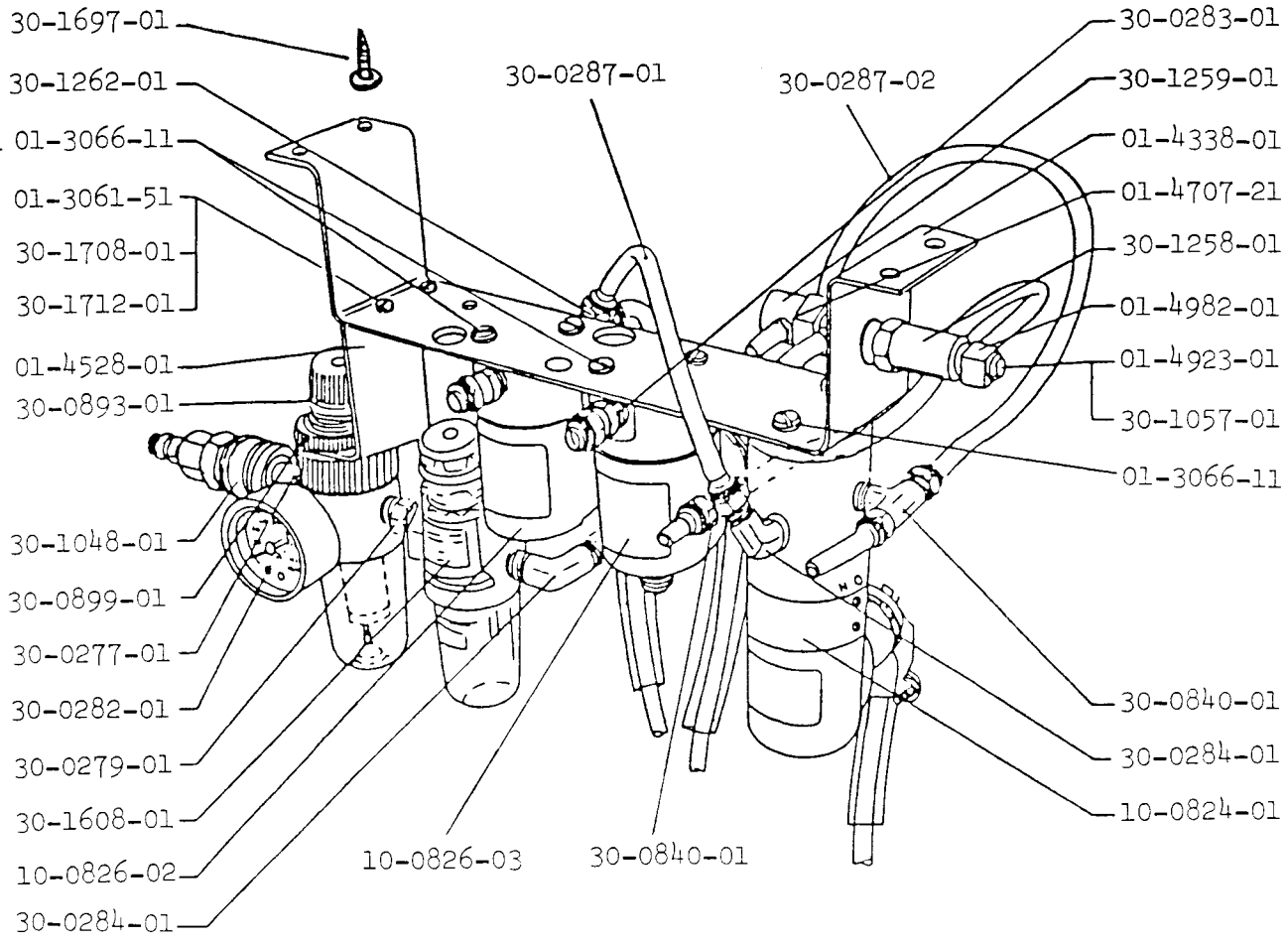
81-0402-02



No.	212U 442A, 443A, 444A, 839A, 841A, 843A, 844A			Description
	01	11	21	
01-3061-51	*	*	*	Screw - Mounting Bracket (2)
01-3066-11	*	*	*	Screw - Mounting Bracket (2)
01-3066-11	-	*	*	Screw - Mounting Bracket (2)
01-4528-01	*	*	*	Bracket - Regulator Mounting
01-4707-21	*	*	*	Fitting (.078) (3)
01-4923-01	*	*	*	Screw - Elbow (.078)
01-5755-01	*	*	-	Bracket - Pilot Valve Mounting
01-6186-01	*	*	*	Bracket - Valve Mounting
10-0824-01	*	*	*	Solenoid Air Valve Assembly (4 way)
10-0826-03	-	*	*	Solenoid Air Valve Assembly (3 way)
30-0277-01	*	*	*	Quick Disconnect - Male
30-0279-01	*	*	*	Hex, Nipple
30-0282-01	*	*	*	Gage (0-160 psi)
30-0283-01	*	*	*	Tube Fitting
30-0283-01	-	*	*	Tube Fitting
30-0284-01	-	*	*	Elbow
30-0287-01	-	*	-	Tubing Red - Polyflo
30-0287-02	*	*	*	Tubing Yellow - Polyflo (1=6")
30-0840-01	*	*	*	Tee - Male Branch (2)
30-0840-01	-	*	*	Tee - Male
30-0893-01	*	*	*	Filter and Regulator 30-1085-01, 30-1108-01, 30-1160-01, 30-1156-01
30-0899-01	*	*	*	Nut - Bracket Mount
30-1048-01	*	*	*	Quick Disconnect - Female
30-1057-01	*	*	*	Gasket - #10-32 Fitting (2)
30-1085-01	*	*	*	Bowl
30-1108-01	*	*	*	Filter Element 5 Micron
30-1156-01	*	*	*	Filter Repair Kit
30-1160-01	*	*	*	Bonnet
30-1258-01	*	*	*	Pilot Actuator
30-1259-01	*	*	*	Pilot Valve
30-1561-01	*	*	*	Bowl
30-1608-01	*	*	*	Oiler 30-1561-01, 30-1609-01, 30-1610-01
30-1609-01	*	*	*	Feed Dome
30-1610-01	*	*	*	Repair Kit All Seals (3)
30-1697-01	*	*	*	Screw - Bracket to Table Mount (2)
30-1097-01	*	*	*	Screw - Bracket to Table Mount (2)
81-0402-02	-	*	-	Air Valve Assembly 01-3061-51 (2), 01-3066-11 (2), 01-4528-01, 01-4707-21 (3), 01-4923-01, 01-5755-01, 01-6186-01, 10-0824-01, 10-0826-03, 30-0277-01, 30-0279-01 (2), 30-0282-01, 30-0283-01 (2), 30-0284-01, 30-0287-01, 30-0287-02, 30-0840-01 (3), 30-0893-01, 30-0899-01, 30-1048-01, 30-1057-01 (2), 30-1258-01, 30-1259-01, 30-1608-01, 30-1697-01 (4)

212U442A -8-
 212U443A
 212U444A
 212U839A
 212U841A
 212U843A
 212U844A

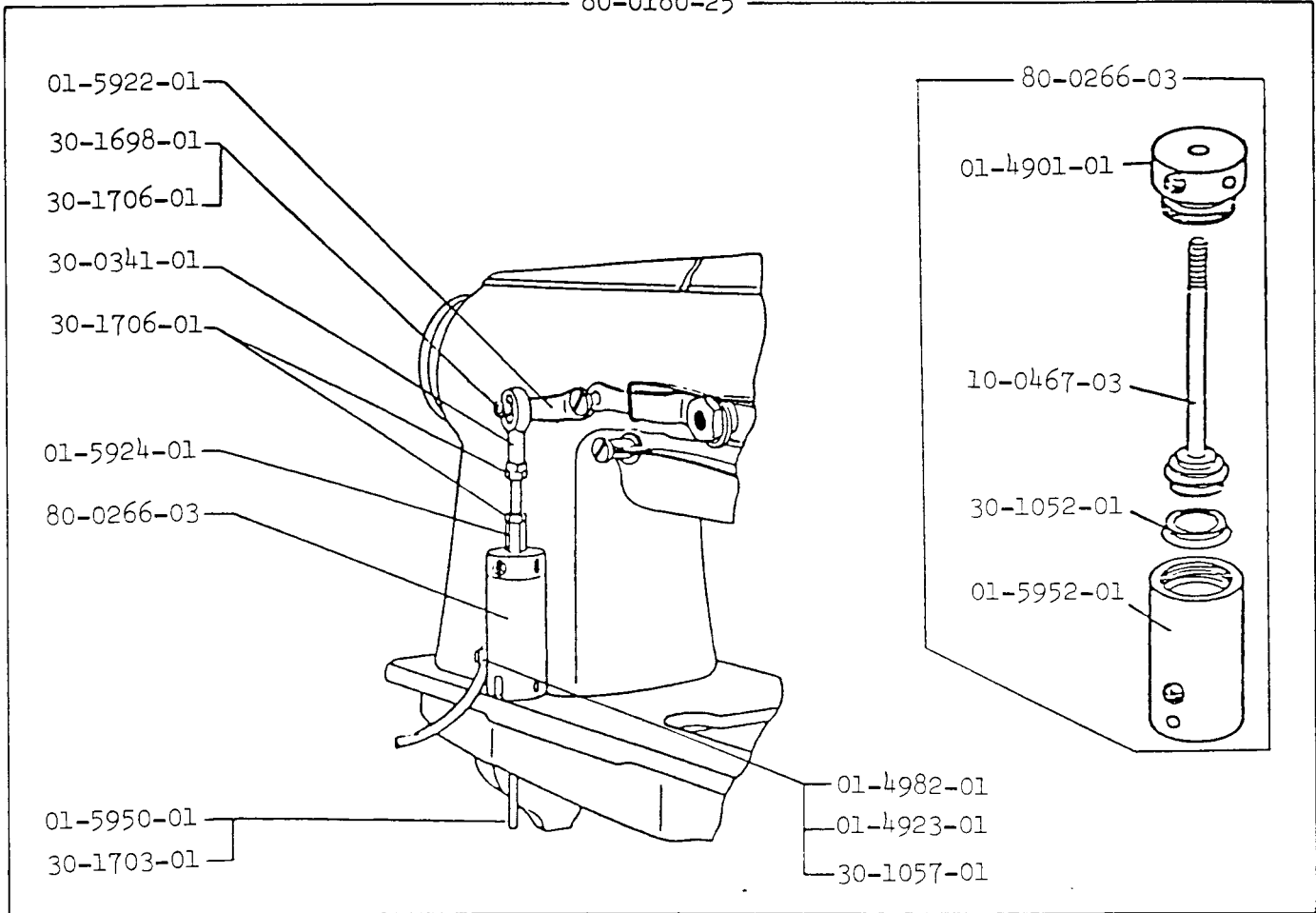
81-0419-01



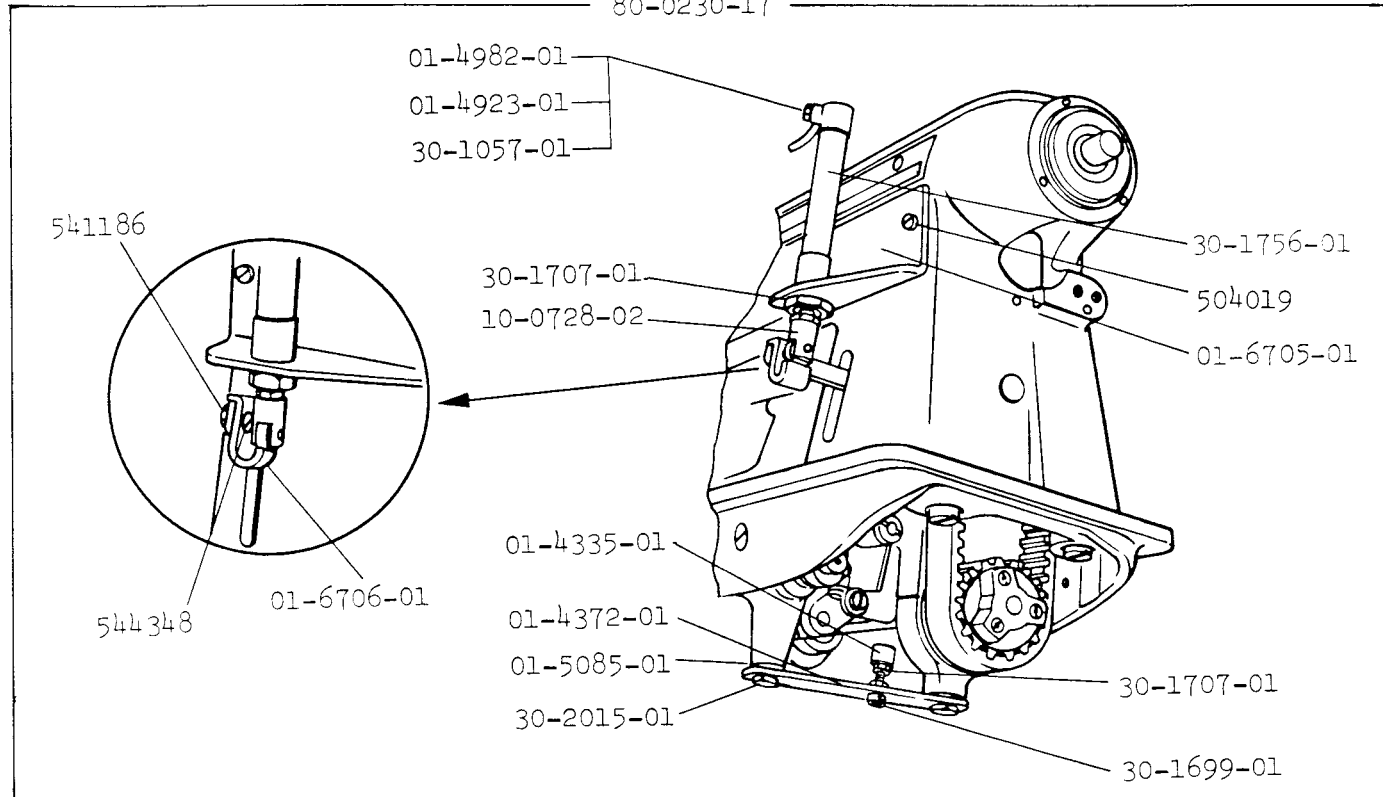
No.	212U 442A, 443A, 444A, 839A, 841A, 843A, 844A			Description
	01	11	21	
01-3061-51	*	*	*	Screw - Mounting Bracket (2)
01-3066-11	*	*	*	Screw - Mounting Bracket (2)
01-3066-11	-	*	*	Screw - Mounting Bracket (2)
01-3066-11	-	-	*	Screw - Mounting Bracket (2)
01-4338-01	*	*	*	Bracket - Valve Mounting
01-4528-01	*	*	*	Bracket - Regulator Mounting
01-4707-21	*	*	*	Fitting (.078) (3)
01-4923-01	*	*	*	Screw - Elbow (.078)
01-4982-01	*	*	*	Elbow
10-0824-01	*	*	*	Solenoid Air Valve Assembly (4 way)
10-0826-02	-	*	*	Solenoid Air Valve Assembly (3 way)
10-0826-03	-	-	*	Solenoid Air Valve Assembly (3 way)
30-0277-01	*	*	*	Quick Disconnect - Male
30-0279-01	*	*	*	Hex. Nipple (2)
30-0282-01	*	*	*	Gage (0-160 psi)
30-0283-01	*	*	*	Tube Fitting
30-0283-01	-	*	*	Tube Fitting
30-0283-01	-	-	*	Tube Fitting
30-0284-01	-	*	*	Elbow
30-0287-01	-	-	*	Tubing Red - Polyflo (1=20")
30-0287-02	*	*	*	Tubing Yellow - Polyflo (1=6")
30-0840-01	*	*	*	Tee - Male Branch (2)
30-0840-01	-	*	*	Tee - Male
30-0893-01	*	*	*	Filter and Regulator 30-1085-01, 30-1108-01, 30-1160-01, 30-1156-01
30-0899-01	*	*	*	Nut - Bracket Mount
30-1048-01	*	*	*	Quick Disconnect - Female
30-1057-01	*	*	*	Gasket - #10-32 Fitting (2)
30-1085-01	*	*	*	Bowl
30-1108-01	*	*	*	Filter Element 5 Micron
30-1156-01	*	*	*	Filter Rubber Kit
30-1160-01	*	*	*	Bonnet
30-1258-01	*	*	*	Pilot Actuator
30-1259-01	*	*	*	Pilot Valve
30-1262-01	-	-	*	Tee - Male Run
30-1561-01	*	*	*	Bowl
30-1608-01	*	*	*	Oiler 30-1561-01, 30-1609-01, 30-1610-01
30-1609-01	*	*	*	Feed Dome
30-1610-01	*	*	*	Repair Kit All Seals (3)
30-1697-01	*	*	*	Screw - Bracket to Table Mounting (4)
30-1708-01	-	-	*	Nut - Regulator Mounting Bracket (2)
30-1712-01	-	-	*	Washer - Regulator Mounting Bracket (2)
81-0419-01	-	-	*	Air Valve Assembly 01-3061-51 (2), 01-3066-11 (6), 01-4258-01, 01-4707-21, 01-4923-01, 01-4982-01, 01-5755-01, 10-0824-01, 10-0826-03, 10-0286-03, 30-0277-01, 30-0279-01 (2), 30-0282-01, 30-0283-01 (3), 30-0284-01, 30-0287-01, 30-0287-02, 30-0840-01 (3), 30-0893-01, 30-0899-01, 30-1048-01, 30-1057-01, 30-1258-01, 30-1259-01, 30-1262-01, 30-1608-01, 30-1697-01 (4), 30-1708-01, 30-1712-01

212U442A -9-
 212U443A
 212U444A
 212U839A
 212U841A
 212U843A
 212U844A

80-0180-25

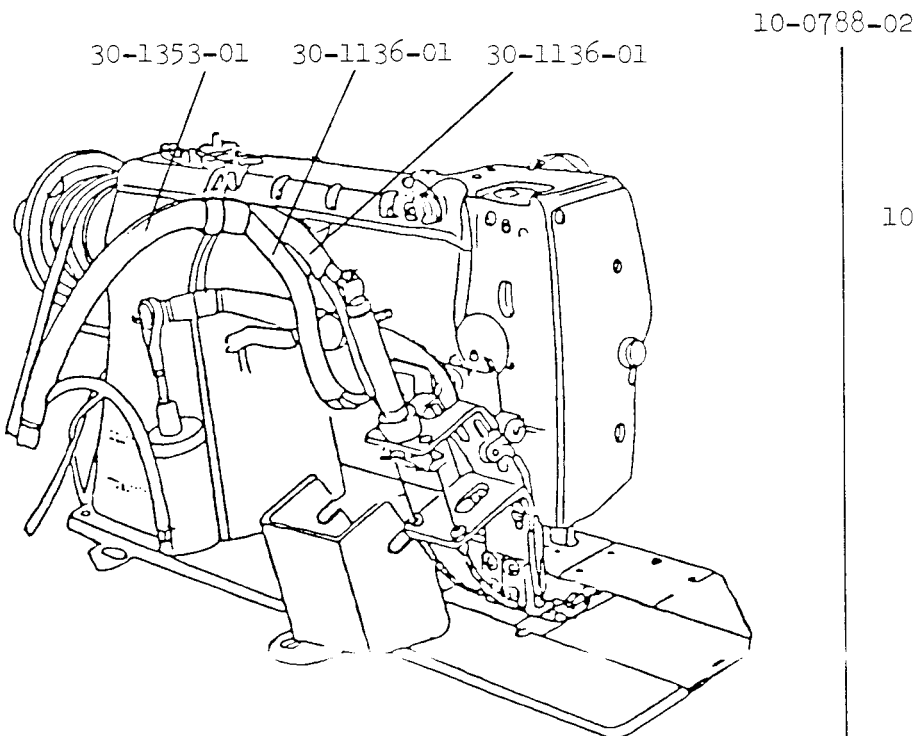
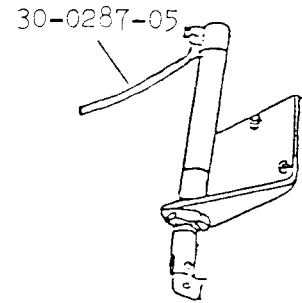
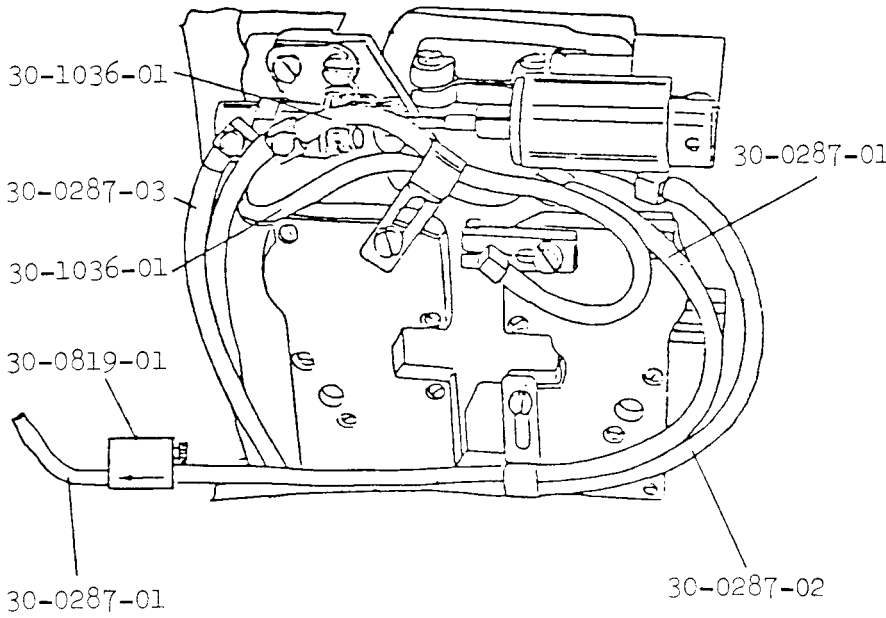
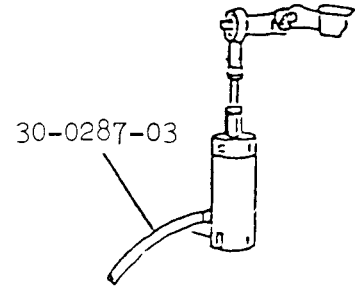
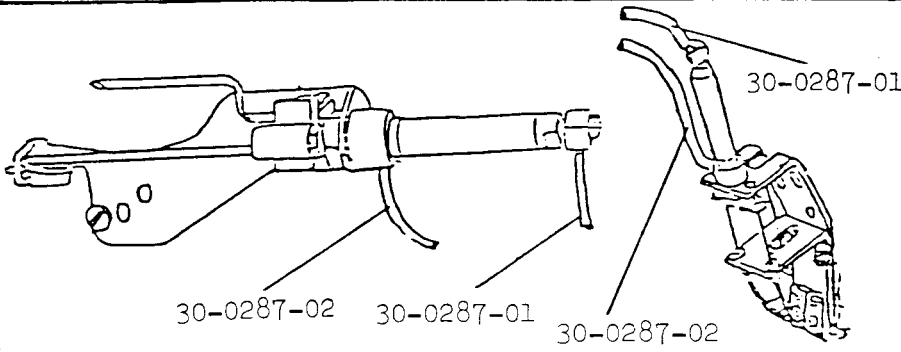


80-0230-17



No.	212U 442A, 443A, 444A, 839A, 841A, 843A, 844A			Description
	01	11	21	
01-4335-01	-	-	*	Cap - Reverse Feed Stop
01-4372-01	-	-	*	Bracket - Reverse Feed Stop
01-4901-01	-	*	*	Cap - Cylinder
01-4923-01	-	*	*	Screw - Elbow
01-4923-01	-	-	*	Screw - Elbow
01-4982-01	-	*	*	Elbow
01-4982-01	-	-	*	Elbow
01-5058-01	-	-	*	Spacer - Reverse Feed Stop (2)
01-5922-01	-	*	*	Bracket
01-5924-01	-	*	*	Nut - Bracket Hook Mounting
01-5950-01	-	*	*	Rod - Air Cylinder
01-5952-01	-	*	*	Body - Air Cylinder
01-6705-01	-	-	*	Bracket - Air Cylinder
01-6706-01	-	-	*	Extension Bracket - Feed Reversing Lever
541186	-	-	*	Nut - Extension Bracket
544348	-	-	*	Screw - Extension Bracket
10-0467-03	-	*	*	Piston Shaft Assembly
10-0728-02	-	-	*	Roller Assembly
30-0341-01	-	*	*	Clevis
30-1052-01	-	*	*	"U" Cup Packing
30-1057-01	-	*	*	Gasket (2)
30-1057-01	-	-	*	Gasket (2)
30-1698-01	-	-	*	Screw - Bearing-clevis
30-1699-01	-	-	*	Screw - Arm Stroke Adjustment
30-1703-01	-	*	*	Screw - Adapter or Rod Mounting
30-1706-01	-	*	*	Nut - Clevis or Rod End Lock (2)
30-1706-01	-	*	*	Nut - Clevis or Rod End Lock
30-1707-01	-	-	*	Nut - Cylinder Arm-stop Stud
30-1707-01	-	-	*	Nut - Cylinder Arm-stop Stud (2)
30-1756-01	-	-	*	Air Cylinder
30-2015-01	-	-	*	Screw (2)
504019	-	-	*	Reverse Feed Cylinder Mounting Bracket Screw (2)
80-0180-25	-	*	*	Air Operated Footlifter Complete 01-4923-01, 01-4982-01, 01-5922-01, 01-5924-01, 01-5950-01, 30-0341-01, 30-1057-01, 80-0266-03, 30-1698-01, 30-1703-01, 30-1706-01 (3)
80-0230-17	-	-	*	Reverse Feed Cylinder Assembly 01-4335-01, 01-4372-01, 01-4923-01, 01-4982-01, 01-5085-01, 01-6283-01, 10-0728-02, 30-1057-01, 30-1689-01, 30-1699-01, 30-1707-01 (3), 30-2015-01, 504019 (2)
80-0266-03	-	*	*	Air Cylinder Complete 01-4901-01, 01-5952-01, 10-0467-03, 30-1052-01

212U442A
212U443A
212U444A
212U839A
212U841A
212U843A
212U844A



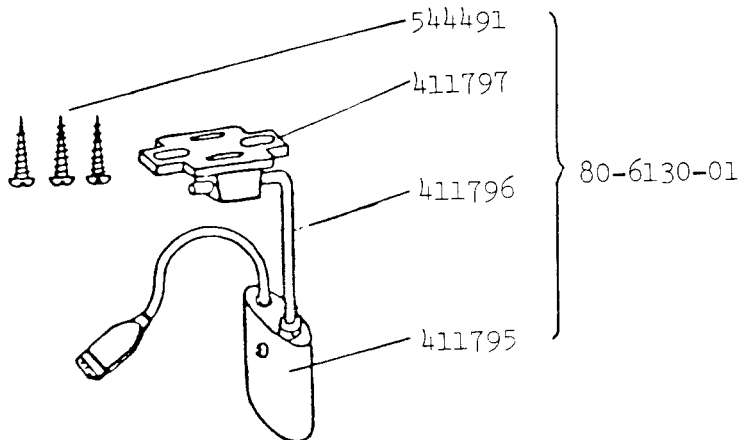
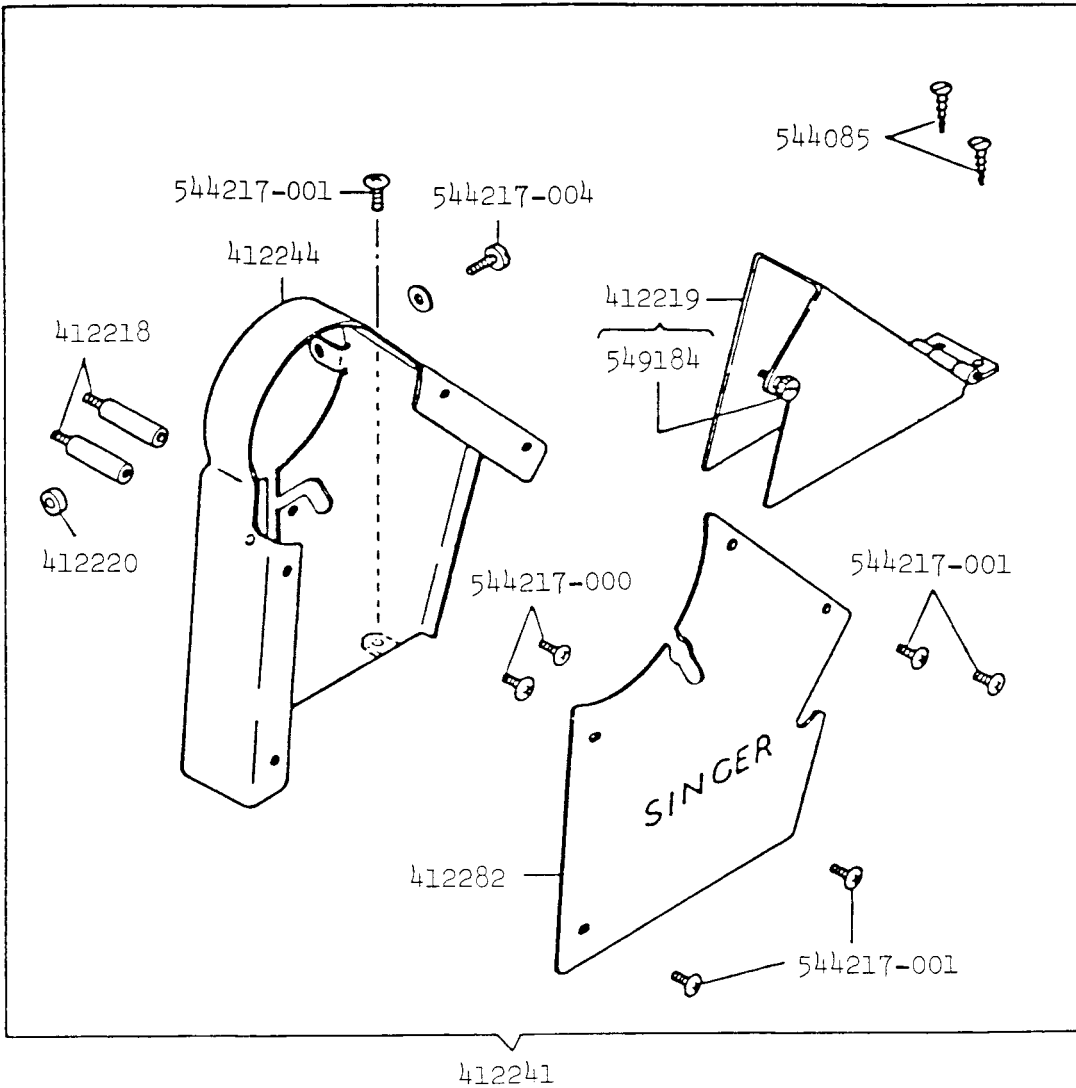
No.	212U 442A, 443A, 444A, 839A, 841A, 843A, 844A			Description
	01	11	21	
10-0787-02	-	*	-	Tubing List - Air With Foot Lifter 30-0287-01 (4) 30-0287-02 (3), 30-0287-03 (2), 30-1036-01 (2), 30-1136-01 (2), 30-1353-01
10-0788-02	*	-	-	Tubing List - Air Without Foot Lifter 30-0287-01 (4), 30-0287-02 (3), 30-1036-01 (2), 30-1136-01 (2), 30-1353-01
10-0789-02	-	-	*	Tubing List - Air With Foot Lifter & Auto-Backtack 30-0287-01 (4), 30-0287-02 (3), 30-0287-03 (2), 30-0287-05, 30-1036-01 (2), 30-1136-01 (2), 30-1353-01
30-0287-01	*	*	*	Tubing Red - Polyflo (1=18")
30-0287-01	*	*	*	Tubing Red - Polyflo (1=36")
30-0287-01	*	*	*	Tubing Red - Polyflo (1=48")
30-0287-01	*	*	-	Tubing Red - Polyflo (1=48")
30-0287-01	-	-	*	Tubing Red - Polyflo (1=60")
30-0287-02	*	*	-	Tubing Yellow - Polyflo (1=36")
30-0287-02	-	-	*	Tubing Yellow - Polyflo (1=48")
30-0287-02	*	*	-	Tubing Yellow - Polyflo (1=48")
30-0287-02	*	*	-	Tubing Yellow - Polyflo (1=48")
30-0287-02	-	-	*	Tubing Yellow - Polyflo (1=60")
30-0287-02	-	-	*	Tubing Yellow - Polyflo (1=60")
30-0287-03	-	*	*	Tubing White - Polyflo (1=48")
30-0287-03	-	*	*	Tubing White - Polyflo (1=60")
30-0287-05	-	-	*	Tubing Blue - Polyflo (1=60")
30-0819-01	*	*	*	Flow Control Valve
30-1036-01	*	*	*	Tubing Gray - Vinyl (1=7")*
30-1036-01	*	*	*	Tubing Gray - Vinyl (1=9")**
30-1136-01	*	*	*	Tubing - Harness - Black (.62"x6")
30-1136-01	*	*	*	Tubing - Harness - Black (.62"x9")
30-1353-01	*	*	*	Tubing - Harness - Black (.75"x32")

* For 212U839A Use 10"

** For 212U839A Use 14"

212U442A -11-
212U443A
212U444A
212U839A
212U841A
212U843A
212U844A

OPTIONAL PARTS



No.	212U 442A, 443A, 444A, 839A, 841A, 843A, 844A			Description
	01	11	21	
80-6130-01	*	*	*	Knee Switch Complete 411795, 411796, 411797, 544491 (3)
411795	*	*	*	Knee Switch
411796	*	*	*	Knee Switch Arm
411797	*	*	*	Knee Switch Bracket
<u>OPTION</u>				
412218	*	*	*	Belt Guard Screw Stud (2)
412219	*	*	*	Belt Guard (lower) with 549184
412220	*	*	*	Belt Guard Screw Collar
412241	*	*	*	Belt Guard Cpl. 412220, 442241, 442244, 412218 (2), 412219, 544085 (2), 544217-001 (7), 544217-004
412244	*	*	*	Belt Guard
412282	*	*	*	Belt Guard Plate
544085	*	*	*	Belt Guard (lower) Wood Screw (2)
544217-001	*	*	*	Belt Guard Screw (3)
544217-001	*	*	*	Belt Guard Plate Screw (4)
544217-004	*	*	*	Belt Guard Screw (long)
549184	*	*	*	Belt Guard (lower) Thumb Screw

Form U3530 (884)
Part No. 409866-002
Printed in Japan