

Form 20600  
(752)  
Printed in U.S.A.

# LIST OF PARTS



MACHINES  
Nos. 247-4 and 247-5

---

\*\* A TRADE MARK OF  
THE SINGER MANUFACTURING COMPANY

## INSTRUCTIONS FOR OILING

To ensure easy running and prevent unnecessary wear of the parts which are in movable contact, the machine requires oiling and when in continuous use, "TYPE B" or "TYPE D" OIL, sold only by Singer Sewing Machine Company, should be applied at least twice each day to all oil holes marked "OIL," as instructed in Form 20429.

"TYPE D" OIL is stainless.

### SPECIAL NOTICE

The letter "O," marked on oil pipe couplings must always be at the top. This is to insure that the oil spoon, attached to the inner end of each coupling, is open side up.

## INDEX

	Page
Accessories .....	26
Belt Guard .....	26
Bench Stand .....	26
Chip Chute .....	26
Foot Lifter Parts.....	27
Fittings for 247-4 Machine.....	23
Fittings for 247-5 Machine.....	24
Knee Lifter Parts.....	27
Machine Base .....	27
Machine No. 247-4.....	7
Machine No. 247-5.....	15
Numerical List of Parts.....	29
Thread Unwinder .....	28

# INSTRUCTIONS FOR ORDERING

In ordering from this list, use ONLY the part NUMBER in the FIRST Column.

The number stamped on a Sewing Machine Part is in every case the number of the single part only.

Every combination of parts sent out as such has its specific number, which, although not stamped on the parts, must be used when ordering the combination.

Each number always indicates the SAME PART in whatever list it appears, or for whatever machine.

The letters after some of the numbers indicate the style of finish only, as follows:

- A-Hardened, Polished, Nickel Plated and Buffed.
- A.A- Buffed and Chromium Plated.
- A.B-Hardened, Polished, Buffed and Chromium Plated.
- A.C-Brown Baking Enamel Finish.
- A.D-Gray Baking Enamel Finish.
- A.E-Hardened, Bright Rumbled and Nickel Plated.
- A.F-Hardened, Bright Rumbled, Nickel Plated, Bright Rumbled and Chromium Plated.
- A.G-Alumilite, Plain.
- A.H-Alumilite Dyed.
- A.J-Polished, Nickel Plated and Chromium Plated.
- A.K-Hardened, Polished, Nickel Plated and Chromium Plated.
- A.L-Heat Treated for Toughness.
- B-Polished, Nickel Plated and Buffed.
- C-Hardened only.
- C.R-Hardened and Merlized.
- D-Polished Only.
- E-Soft, Not Polished.
- F-Hardened and Polished.
- F.J-Hardened, Polished and Nickel Plated.
- G-Bright Rumbled and Nickel Plated.
- H-Blued.
- J-Nickel Plated Only.
- K-Hardened and Nickel Plated.
- L-Brass Plated.
- M-Oxidized.
- N-Japanned, Dull.

# INSTRUCTIONS FOR ORDERING - Continued

- P-Japanned, Bright.
- P.P-Wrinkle Finish.
- R-Merlized.
- S-Cadmium Plated.
- T-Copper Plated.
- T.A-Hardened, Polished, Copper and Nickel Plated and Buffed.
- T.B-Copper and Nickel Plated and Polished.
- T.J-Copper and Nickel Plated Only.
- T.K-Hardened, Copper and Nickel Plated.
- T.L-Copper and Brass Plated.
- T.M-Copper Plated and Oxidized.
- U-Zinc Plated.
- V-Silver Plated.
- W-Polished and Nickel Plated.
- X-Black Oxide, for Iron and Steel.
- X.C-Hardened and Black Oxide, for Iron and Steel.
- Y-Black Nickel Plated Only.
- Z-Chromium Plated.
- Z.A-Hardened, Polished, Nickel Plated, Buffed and Chromium Plated.
- Z.B-Polished, Nickel Plated, Buffed and Chromium Plated.
- Z.C-Hardened and Chromium Plated.
- Z.D-Polished and Chromium Plated.
- Z.G-Bright Rumbled, Nickel Plated, Bright Rumbled and Chromium Plated.
- Z.J-Nickel and Chromium Plated.
- Z.T-Copper and Chromium Plated.

These letters MUST BE USED when they appear in the list; and AFTER the number as in the list.

In this series:

1 to 1500, 50001 to 51500 and 140001 to 142000 are Screw Numbers.

1501 to 1800 and 51501 to 51800 are Nut Numbers.

1801 to 2000 and 51801 to 52000 are Roller Numbers.

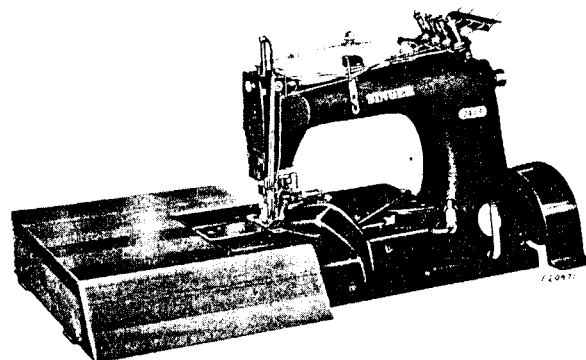
2001 to 50000 and 52001 to 140000 and 142001 to 190000 are Sewing Machine Parts, 190001 and upward are numbers of Electrical Parts.

The figures in the second column refer only to the plates, illustrating the parts, and are NOT TO BE USED in ordering.

Parts marked with an asterisk (\*) are furnished only when repairs are made at factory.

When ordering parts which differ as to Gauge (the distance between seams) the Gauge, as well as the Number must be given on order.

**LIST OF PARTS COMPLETE  
FOR**



**MACHINE No. 247-4**

FOR SEAMING CHILDREN'S WEAR, DRESSES, TROUSERS AND SIMILAR WORK. THREE NEEDLES, TWO LOOPERS. VERTICAL TRIMMER. DIFFERENTIAL FEED FOR GATHERING. NEEDLE BAR STROKE 1-7/32". CLEARANCE UNDER PRESSER FOOT 5/32". GAUGES BETWEEN LEFT AND CENTER NEEDLES FROM 1/16" TO 1/4" IN STEPS OF 1/16" AND BETWEEN CENTER AND RIGHT NEEDLES 1/8" TO 1/4". IN STEPS OF 1/16". MAXIMUM DISTANCE BETWEEN OUTSIDE NEEDLES IS 3/8". SPEED 2800 DEPENDING UPON MATERIAL USED AND OPERATION PERFORMED.

**SINGER** Needles should be used  
in **SINGER** Machines  
These Needles and their Containers  
are marked with the  
Company's Trade Mark "SIMANCO.\*\*\*" 1

Needles in Containers marked  
"FOR SINGER MACHINES"  
are NOT **SINGER** made needles. 2

No.	Plate	Name
*168066	.....	Arm, upper and lower (solid) with 948J, 68483 and four 131022.....
68428	25551	Arm Bottom Cover.....
68429	25551	Arm Bottom Cover Gasket (cork).....
1057AL	25551	Arm Bottom Cover Screw (4).....
50608R	25551	Arm Hole Plug Screw, for access to Crank Connecting Rod (upper bearing).....
139017	25551	Arm Hole Plug Screw Washer.....
68350	25552	Arm Oil Cup, for oiling Arm Rock Shaft Front Bearing.....
131864	25553	Arm Oil Cup, for 131866.....
131865	25553	Arm Oil Cup Oil Gauge.....
131866	25553	Arm Oil Cup with Oil Gauge complete, for filling oil reservoir, Nos. 131864 and 131865.....
131319	25552	Arm Oil Cup Oil Pad for 68350.....
168111	25552	Arm Rock Shaft and Front Crank with 853AL, 1235F, 50505C and 131819.....
1309C	25552	Arm Rock Shaft Adjusting Screw.....
131056	25552	Arm Rock Shaft Adjusting Screw Washer.....
68433	25552	Arm Rock Shaft Bushing (back).....
68435	25552	Arm Rock Shaft Bushing (back) Cap.....
131095	25552	Arm Rock Shaft Bushing (back) Cap Washer (fiber).....
446AL	25552	Arm Rock Shaft Bushing (back) Set Screw.....
68436	25552	Arm Rock Shaft Bushing (intermediate).....
423AL	25552	Arm Rock Shaft Bushing (intermediate) Set Screw.....
131072	25553	Arm Rock Shaft Crank, back (ball bearing, solid) with two 50083AL.....
50083AL	25553	Arm Rock Shaft Crank (back) Set Screw (2).....
131456	25552	Arm Rock Shaft Flanged Bushing (front).....
453AL	25552	Arm Rock Shaft Flanged Bushing (front) Set Screw.....
42365	25552	Arm Rock Shaft Oil Pad for oiling Back Bearing.....
54969	25552	Arm Rock Shaft Oil Pad for oiling Intermediate Bearing.....
1235F	25552	Arm Rock Shaft Oil Plug Screw.....
168002	25553	Arm Rotary Shaft with 168215.....
168003	.....	Arm Rotary Shaft 168002 with 131930 and 168010.....
131366	25553	Arm Rotary Shaft Ball Bearing (back) (2).....

No.	Plate	Name
131478	25553	Arm Rotary Shaft Ball Bearing (back) Case
131479		Arm Rotary Shaft Ball Bearing (back) Case 131478 with 131369 and three 205C
131526		Arm Rotary Shaft Ball Bearing (back) Case with Ball Bearings complete, Nos. 131479, 131480 and two 131366
131369	25553	Arm Rotary Shaft Ball Bearing (back) Case Cap
205C	25553	Arm Rotary Shaft Ball Bearing (back) Case Cap Screw (3)
131370	25553	Arm Rotary Shaft Ball Bearing (back) Case Position Stud (3)
429C	25553	Arm Rotary Shaft Ball Bearing (back) Case Set Screw
131480	25553	Arm Rotary Shaft Ball Bearing (back) Spacing Collar
131366	25553	Arm Rotary Shaft Ball Bearing (intermediate)
131481	25553	Arm Rotary Shaft Ball Bearing (intermediate) Case
1304C	25553	Arm Rotary Shaft Ball Bearing (intermediate) Case Set Screw
131482	25553	Arm Rotary Shaft Ball Bearing (intermediate) Collar with two 457AL
457AL	25553	Arm Rotary Shaft Ball Bearing (intermediate) Collar Set Screw (2)
131959	25553	Arm Rotary Shaft Bushing (front)
68497	25553	Arm Rotary Shaft Bushing (front) Bearing Oil Pad (wick)
68483		Arm Rotary Shaft Bushing (front) Bracket with 761E
948J	25553	Arm Rotary Shaft Bushing (front) Bracket Screw
131028	25553	Arm Rotary Shaft Bushing (front) Oil Plug
761E	25553	Arm Rotary Shaft Bushing (front) Position Screw
131457	25553	Arm Rotary Shaft Bushing (intermediate)
761E	25553	Arm Rotary Shaft Bushing (intermediate) Position Screw
42367	25553	Arm Rotary Shaft Bushing (intermediate) Oil Pad (lower)
54218	25553	Arm Rotary Shaft Bushing (intermediate) Oil Pad (upper)
168215	25553	Arm Rotary Shaft Oil Wick
144D	25553	Arm Rotary Shaft Screw
131276	25551	Arm Side Cover (oil vent)
131909	25551	Arm Side Cover Cap
131280	25551	Arm Side Cover Cap Position Pin
1289X	25551	Arm Side Cover Cap Screw
131910	25551	Arm Side Cover Cap Spring
131911	25551	Arm Side Cover (oil vent) complete, Nos. 1289X, 131276, 131280, 131909 and 131910
68448	25551	Arm Side Cover Gasket
1057AL	25551	Arm Side Cover Screw (4)
168067	25555	Chip Chute
168068	25555	Chip Chute Arm
74C	25555	Chip Chute Arm Hinge Screw
6465	25555	Chip Chute Arm Hinge Screw Friction Washer
671W	25555	Chip Chute Arm Lock Thumb Screw
164E	25555	Chip Chute Screw (2)
168300	25555	Cloth Plate (sectional) with two 1011F
1011F	25555	Cloth Plate Connecting Block Screw (2)
168071	25555	Cloth Plate Slide
38419	25555	Cloth Plate Slide Spring
665J	25555	Cloth Plate Slide Spring Screw (2)
168072	25555	Cloth Plate Slide complete, Nos. 38419, 168071 and two 665J
168301	25555	Cloth Plate (sectional) complete, Nos. 168072 and 168300
1011F	25555	Cloth Plate Screw (left) (2)
742F	25555	Cloth Plate Screw (right)
131926	25553	Crank Connecting Rod with two each 1057AL, 51715AL, 131927 and 131928

NOTE: When No. 131926 is required for repairs, Connecting Rod and Arm Rock Shaft Crank (back) fitted together will be furnished. All Agency orders for the part must state the Machine No. for which it is required, in order to obtain correct Needle Bar Stroke.

No.	Plate	Name
131930		Crank Connecting Rod 131926 with 131072
131927	25553	Crank Connecting Rod Cap (lower) Screw Stud (2)
51715AL	25553	Crank Connecting Rod Cap (lower) Screw Stud Nut (2)
131928	25553	Crank Connecting Rod Cap (lower) Screw Stud Nut Lock Washer (2)
1057AL	25553	Crank Connecting Rod Cap (upper) Screw (2)
131760	25556	Face Plate (lower half)
131761	25556	Face Plate (lower half) Gasket (cork)
330J	25556	Face Plate (lower half) Screw (2)
131762	25556	Face Plate (upper half)
29234	25556	Face Plate (upper half) Position Plate
1053E	25556	Face Plate (upper half) Position Plate Screw
50190W	25556	Face Plate (upper half) Thumb Screw
168074	25558	Feed (back) Bar with 620AL, 1147AL and 50429AL
131766	25558	Feed (back) Bar Hinge Pin
889AL	25558	Feed (back) Bar Hinge Pin Set Screw
168076	25558	Feed (back) Bar Slide Block (two pieces)
		Feed (back) Dog (See Fittings Page Nos. 23 and 24)
157J	25565	Feed (back) Dog Screw
50429AL	25558	Feed (back) Dog Stop Screw
147568	25558	Feed (front) Bar
147569	25558	Feed (front) Bar Feed Dog Seat (adjustable)
51408AL	25558	Feed (front) Bar Feed Dog Seat Screw
147570		Feed (front) Bar complete, Nos. 51408AL, 147568 and 147569
147571		Feed (front) Bar 147570 with 131769 and 131770
131769	25558	Feed (front) Bar Guide
704E	25558	Feed (front) Bar Guide Screw
131770	25558	Feed (front) Bar Slide Bar
1147AL	25558	Feed (front) Bar Slide Bar Set Screw
		Feed (front) Dog (See Fittings Page Nos. 23 and 24)
190J	25565	Feed (front) Dog Screw
131500	25553	Feed Connecting Rod with 1057AL, 68497, 134260 and two 896AL
168010		Feed Connecting Rod 131500 with 168011
896AL	25553	Feed Connecting Rod Cap Screw (2)
1057AL	25553	Feed Connecting Rod Clamping Screw
131772	25558	Feed Connecting Rod Hinge Pin (eccentric)
59343	25558	Feed Connecting Rod Hinge Pin Collar with 735AL
735AL	25558	Feed Connecting Rod Hinge Pin Collar Set Screw
68497	25553	Feed Connecting Rod Oil Pad (wick)
134260	25553	Feed Connecting Rod Oil Pad Retainer
51061AL	25553	Feed Eccentric Body Set Screw (3)
7071	25553	Feed Eccentric Clamping Washer (2)
217J	25553	Feed Eccentric Clamping Washer Screw (2)
138306		Feed Eccentric Lubricating Pad (wood)
168011		Feed Eccentric (adjustable) complete, Nos. 1103C, 138306, two each 217J, 7071 and three 51061AL
168012	25553	Feed Lifting Eccentric with three 624AL
624AL	25553	Feed Lifting Eccentric Set Screw (3)
1103C	25553	Feed Regulating Screw
131773	25558	Feed Rocking Frame with 889AL and two 1036AL
168304		Feed Rocking Frame 131773 with 61C, 704E, 1655E, 51700C, 59343, 131766, 131772, 131775, 131779, 131780, 131781, 140311C, 147571 and 168074
131775	25558	Feed Rocking Frame Hinge Pin
57235	25558	Feed Rocking Frame Hinge Pin Bushing (2)
453AL	25558	Feed Rocking Frame Hinge Pin Bushing Set Screw (2)
1036AL	25558	Feed Rocking Frame Hinge Pin Set Screw (2)
131776	25558	Gathering Feed Actuating Lever
131777	25558	Gathering Feed Actuating Lever Bracket with 175C, 910AL, and two 1735C

No.	Plate	Name
131867	25558	Gathering Feed Actuating Lever Bracket 131777 with 359C, 1226C, 1520J, 9525, 50183F, 131776 and two 1654C.....
172J	25558	Gathering Feed Actuating Lever Bracket Screw (2).....
50183F	25558	Gathering Feed Actuating Lever Hinge Screw.....
1520J	25558	Gathering Feed Actuating Lever Hinge Screw Nut.....
359C	25558	Gathering Feed Actuating Lever Locking Screw.....
1654C	25558	Gathering Feed Actuating Lever Locking Screw Lock Nut.....
1654C	25558	Gathering Feed Actuating Lever Locking Screw Nut.....
9525	25558	Gathering Feed Actuating Lever Locking Screw Washer.....
131778	25558	Gathering Feed Actuating Lever Spring.....
170C	25558	Gathering Feed Actuating Lever Spring Screw Stud (lower).....
1226C	25558	Gathering Feed Actuating Lever Spring Screw Stud (upper).....
910AL	25558	Gathering Feed Actuating Lever Stop Screw (lower).....
1735C	25558	Gathering Feed Actuating Lever Stop Screw (lower) Nut.....
175C	25558	Gathering Feed Actuating Lever Stop Screw (upper).....
1735C	25558	Gathering Feed Actuating Lever Stop Screw (upper) Nut.....
131779	25558	Gathering Feed Regulator with two 1057AL.....
1057AL	25558	Gathering Feed Regulator Clamping Screw (2).....
131780	25558	Gathering Feed Regulator Connection.....
140311C	25558	Gathering Feed Regulator Connection Hinge Screw (back).....
51700C	25558	Gathering Feed Regulator Connection Hinge Screw (back) Nut.....
131781	25558	Gathering Feed Regulator Connection Hinge Screw (back) Nut Washer.....
61C	25558	Gathering Feed Regulator Connection Hinge Screw (front).....
1655E	25558	Gathering Feed Regulator Connection Hinge Screw (front) Nut.....
168080	25560	Knife (movable).....
1000C	25560	Knife (movable) Clamping Screw.....
168081	25560	Knife (movable) Holder with 1000C.....
42038	25560	Knife (movable) Holder Guide with 336F.....
42039	25560	Knife (movable) Holder Guide Plate.....
621E	25560	Knife (movable) Holder Guide Plate Screw (2).....
336F	25560	Knife (movable) Holder Guide Screw.....
42041	25560	Knife (movable) Holder Spring.....
168082	25560	Knife (movable) Lever with 1178C and 20437.....
168187	25560	Knife (movable) Lever 168082 with 1722J, 14017, 132583 and 168086.....
168083	25560	Knife (movable) Lever Bearing Arm.....
168084	25560	Knife (movable) Lever Bearing Arm Bracket.....
172E	25560	Knife (movable) Lever Bearing Arm Bracket Screw (2).....
54369	25560	Knife (movable) Lever Bearing Arm Collar with two 465AL.....
456AL	25560	Knife (movable) Lever Bearing Arm Collar Set Screw (2).....
1178C	25560	Knife (movable) Lever Clamping Screw.....
20437	25560	Knife (movable) Lever Clamping Screw Washer.....
168085	25560	Knife (movable) Lever Connecting Link.....
132583	25560	Knife (movable) Lever Connecting Link Hinge Pin with 132584 (2).....
132584	25560	Knife (movable) Lever Connecting Link Hinge Pin Oil Pad (wick) (2).....
620AL	25560	Knife (movable) Lever Connecting Link Hinge Pin Set Screw (2).....
168086	25560	Knife (movable) Lever Connection with 620AL.....
1722J	25560	Knife (movable) Lever Connection Nut.....
14017	25560	Knife (movable) Lever Connection Nut Washer.....
168087	25560	Knife (movable) Lever Hinge Screw Stud.....
1756J	25560	Knife (movable) Lever Hinge Screw Stud Nut.....
168088	25560	Knife (stationary).....
168089	25560	Knife (stationary) Clamping Plate.....
168090	25560	Knife (stationary) Holder.....
48AL	25560	Knife (stationary) Holder Set Screw.....
1253AL	25560	Knife (stationary) Set Screw.....

No.	Plate	Name
168195	25561	Looper (back).....
168196	25561	Looper (front).....
208AL	25561	Looper (front) Screw (2).....
168197	25561	Loopers complete, Nos. 168195, 168196 and two 208AL.....
168016	25561	Looper Carrier.....
168208	25561	Looper Carrier 168016 with 132583, 168019, 168020, 168021, and 168023.....
168238	25561	Looper Carrier 168208 with 168017 and 168205.....
168017	25561	Looper Carrier Shaft with 1231E.....
168018	25561	Looper Carrier Shaft Crank with two 1057AL.....
1057AL	25561	Looper Carrier Shaft Crank Clamping Screw (2).....
68497	25553	Looper Carrier Shaft Oil Pad (wick).....
1231E	25561	Looper Carrier Shaft Plug Screw.....
1497C	25561	Looper Carrier Shaft Set Screw.....
168012	25553	Looper (avoiding motion) Eccentric with three 624AL.....
168019	25561	Looper (avoiding motion) Eccentric Connection with 223C.....
132583	25561	Looper (avoiding motion) Eccentric Connection Hinge Pin with 132584.....
132584	25561	Looper (avoiding motion) Eccentric Connection Hinge Pin Oil Wick.....
223C	25561	Looper (avoiding motion) Eccentric Connection Hinge Pin Set Screw.....
168020	25561	Looper (avoiding motion) Eccentric Connection Holder.....
168021	25561	Looper (avoiding motion) Eccentric Connection Holder Screw Bushing.....
168022	25561	Looper (avoiding motion) Eccentric Connection Holder Screw Bushing Bearing.....
448AL	25561	Looper (avoiding motion) Eccentric Connection Holder Screw Bushing Set Screw (2).....
168023	25561	Looper (avoiding motion) Eccentric Connection Holder Thrust Bearing.....
624AL	25553	Looper (avoiding motion) Eccentric Set Screw (3).....
168024	25561	Looper (driving) Eccentric with three 1036AL.....
168025	25561	Looper (driving) Eccentric Connection with two each 175C and 140159AL.....
168205	25561	Looper (driving) Eccentric Connection 168025 with 50138E, 168018, 168024 and 168026.....
175C	25561	Looper (driving) Eccentric Connection Cap (lower) Screw (2).....
140159AL	25561	Looper (driving) Eccentric Connection Cap (upper) Screw (2).....
168026	25561	Looper (driving) Eccentric Connection Position Plate.....
50138E	25561	Looper (driving) Eccentric Connection Position Plate Screw.....
1036AL	25561	Looper (driving) Eccentric Set Screw (3).....
131504	25561	Looper Holder with 1120AL.....
51119J	25561	Looper Holder Screw.....
1120AL	25561	Looper Set Screw.....
131914	25553	Machine Driving Pulley "V" Belt groove (outside diam. of belt groove 2.9 in.) with two 51283AL, for 3/8 in. "V" belt.....
51283AL	25553	Machine Driving Pulley Set Screw (2).....
131497	25556	Needle Bar (hollow).....
131291	25556	Needle Bar complete, (See Fittings Page Nos. 23 and 24).....
1133E	25556	Needle Bar Bushing (lower).....
64320	25556	Needle Bar Bushing (lower) Set Screw.....
1133E	25556	Needle Bar Bushing (upper).....
168030	25556	Needle Bar Bushing (upper) Set Screw.....
168031	25556	Needle Bar Connecting Link.....
68489	25556	Needle Bar Connecting Link 168030 with 68489 and 131492.....
1520J	25556	Needle Bar Connecting Link Hinge Stud (hollow).....
131270	25556	Needle Bar Connecting Link Hinge Stud Nut.....
861C	25556	Needle Bar Connecting Link Hinge Stud Oil Pad (wick).....
	25556	Needle Bar Connecting Link Hinge Stud Oil Plug Screw.....

No.	Plate	Name
853AL	25552	Needle Bar Connecting Link Hinge Stud Set Screw
131492	25556	Needle Bar Connecting Stud with 1492E
1492E	25556	Needle Bar Connecting Stud Clamping Screw
		Needle Clamp (See Fittings Page Nos. 23 and 24)
		Needle Guard (movable) (See Fittings Page Nos. 23 and 24)
168035	25565	Needle Guard (movable) Holder
51369E	25565	Needle Guard (movable) Holder Screw
51047C	25565	Needle Guard (movable) Screw
7071	25565	Needle Guard (movable) Screw Washer
904AL	25556	Needle Set Screw (back) (2)
906AL	25556	Needle Set Screw (front)
68492	25562	Oil Pipe (back of arm) with 68497, for oiling Feed Rocking Frame Hinge Pin Front Bearing
68493	25562	Oil Pipe (back of arm) Clamp
176E	25562	Oil Pipe (back of arm) Clamp Screw
68494	25562	Oil Pipe (back of arm) Connection with 68495 and two 198E, for oiling Feed Rocking Frame Hinge Pin Back Bearing
198E	25562	Oil Pipe (back of arm) Connection Cap Screw (2)
68495	25562	Oil Pipe (back of arm) Connection Oil Pad (wick)
68496	25562	Oil Pipe (back of arm) Coupling
1733	25562	Oil Pipe (back of arm) Coupling Nut (brass)
68497	25562	Oil Pipe (back of arm) Oil Pad (wick)
168036	25562	Oil Pipe (front of arm, long) with two 1733
168037		Oil Pipe (front of arm, long) complete, Nos. 168036, 168038 and 168039
131004	25562	Oil Pipe (front of arm, long) Coupling (left)
131798	25562	Oil Pipe (front of arm, long) Coupling (right)
1733	25562	Oil Pipe (front of arm, long) Coupling Nut (brass) (2)
168038	25562	Oil Pipe (front of arm, long) Oil Lead with 1733, and 131003, for oiling Arm Rotary Shaft Front Bearing
168039	25562	Oil Pipe (front of arm, long) Oil Lead with 68497 and 131003, for oiling Feed Connecting Rod
131003	25562	Oil Pipe (front of arm, long) Oil Lead Connection with two 198E, for 168038 and 168039 (2)
198E	25562	Oil Pipe (front of arm, long) Oil Lead Connection Cap Screw (4)
131004	25562	Oil Pipe (front of arm, long) Oil Lead Coupling
1733	25562	Oil Pipe (front of arm, long) Oil Lead Coupling Nut (brass)
68497	25562	Oil Pipe (front of arm, long) Oil Lead Oil Pad (wick)
168040	25562	Oil Pipe (front of arm, short) with 131089 and two 1733
131064	25562	Oil Pipe (front of arm, short) Coupling (2)
1733	25562	Oil Pipe (front of arm, short) Coupling Nut (brass) (2)
131089		Oil Pipe (front of arm, short) Oil Pad (wick)
168097	25555	Oil Splash Guard
330J	25555	Oil Splash Guard Screw (2)
168042	25555	Oil Splash Guard (side of arm)
54038	25555	Oil Splash Guard (side of arm) Holder
190J	25555	Oil Splash Guard (side of arm) Holder Screw
217J	25555	Oil Splash Guard (side of arm) Screw
131912	25556	Presser Bar (hollow)
38456	25556	Presser Bar Bushing (upper)
1133E	25556	Presser Bar Bushing (upper) Set Screw
131799	25556	Presser Bar Lifting Bracket with 453AL
11173	25556	Presser Bar Lifting Bracket Guide
453AL	25556	Presser Bar Lifting Bracket Guide Set Screw
453AL	25556	Presser Bar Lifting Bracket Set Screw
131402	25563	Presser Bar Lifting Lever
168043	25563	Presser Bar Lifting Lever Extension
161J	25563	Presser Bar Lifting Lever Extension Screw (2)
802X	25563	Presser Bar Lifting Lever Hinge Screw
131749	25551	Presser Bar Spring
131750	25551	Presser Bar Spring (auxiliary)
38468	25551	Presser Bar Spring Stud

No.	Plate	Name
168044	25551	Presser Bar Spring complete, Nos. 269W, 1637J, 131749, 131750 and 131752
		Presser Foot complete (See Fittings Page Nos. 23 and 24)
		Presser Foot Screw
		Pressure Regulating Thumb Screw
176J	25565	Pressure Regulating Thumb Screw Lock Nut
269W	25551	Pressure Regulating Thumb Screw Washer
1637J	25551	Tension (thread covering) Controller Eyelet
131752	25551	Tension (thread covering) Controller Eyelet Screw
168046	25556	Tension (thread covering) Disc (2)
208AL	25556	Tension (thread covering) Regulating Thumb Nut
2102	25563	Tension (thread covering) Releasing Disc
51570C	25563	Tension (thread covering) Releasing Pin
32572	25563	Tension (thread covering) Screw Stud
54988	25563	Tension (thread covering) Screw Stud 50326C with 51570C
50326C	25563	Tension (thread covering) Spring
59539	25563	Tension (thread covering) Spring Bushing (large)
131740	25563	Tension (thread covering) Spring Bushing (small)
59537	25563	Tension (thread covering) Thread Guide (double)
59538	25563	Tension (thread covering) Thread Guide
54279	25563	Tension (thread covering) Thread Guide Screw
168047	25556	Tension (under thread) Disc (4)
335J	25556	Tension (under thread) Regulating Thumb Nut (2)
2102	25563	Tension (under thread) Screw Stud (2)
51570C	25563	Tension (under thread) Screw Stud 140113C with 51570C (2)
140113C	25563	Tension (under thread) Spring (2)
131809	25563	Tension (under thread) Spring Bushing (large) (2)
131740	25563	Tension (under thread) Spring Bushing (small) (2)
59537	25563	Tension (under thread) Thread Guide (double) (2)
59538	25563	Tension (upper thread) Bracket
131696	25563	Tension (upper thread) Bracket Screw
54245	25563	Tension (upper thread) Disc (6)
376J	25563	Tension (upper thread) Regulating Thumb Nut (3)
2102	25563	Tension (upper thread) Releasing Disc (3)
51570C	25563	Tension (upper thread) Releasing Pin (3)
32572	25563	Tension (upper thread) Releasing Shaft
54988	25563	Tension (upper thread) Releasing Shaft Crank with 624AL
54246	25563	Tension (upper thread) Releasing Shaft Crank Link
54047	25563	Tension (upper thread) Releasing Shaft Crank Set Screw
54048	25563	Tension (upper thread) Releasing Shaft Spring
624AL	25563	Tension (upper thread) Releasing Shaft Stop Screw
68261	25563	Tension (upper thread) Releasing Shaft Stop Screw Nut
316C	25563	Tension (upper thread) Screw Stud (3)
1547J	25563	Tension (upper thread) Screw Stud 50326C with 51570C (3)
50326C	25563	Tension (upper thread) Spring (3)
59539	25563	Tension (upper thread) Spring Bushing (large) (3)
131741	25563	Tension (upper thread) Spring Bushing (small) (3)
59537	25563	Tension (upper thread) Thread Guide (double) (3)
59538	25563	Tension (upper thread) Thread Separator
54279	25563	Thread Carrying Finger
168144	25556	Thread Carrying Finger Clamping Screw
168209	25556	Thread Carrying Finger Holder (segment) with 50624E
50624E	25556	Thread Carrying Finger Holder Bracket
131811	25556	Thread Carrying Finger Holder Bracket 131812 with 212J, 226C, 131811, 131813 and 131814
131812	25556	Thread Carrying Finger Holder Bracket Screw (2)
131868	25556	Thread Carrying Finger Holder Cap Screw
		Thread Carrying Finger Holder Slide Block
1057AL	25556	Thread Carrying Finger Holder Slide Block Cap Screw
212J	25556	Thread Carrying Finger Holder Slide Block Crank with 171AL
131813	25556	Thread Carrying Finger Holder Slide Block Crank Clamping Screw
226C	25556	
131814	25556	

No.	Plate	Name
131815	25556	Thread Carrying Finger Oscillating Arm (forked) and Presser Bar Bushing (lower)
131816	25556	Thread Carrying Finger Oscillating Arm Slide Block
147518		Thread Carrying Finger Oscillating Arm Slide Block 131816 with 131817 and 140645F
140645F	25556	Thread Carrying Finger Oscillating Arm Slide Block Cap Screw
131817	25556	Thread Carrying Finger Oscillating Arm Slide Block Holder with 462AL
131818	25556	Thread Carrying Finger Oscillating Arm Slide Block Holder Driving Stud
131819	25552	Thread Carrying Finger Oscillating Arm Slide Block Holder Driving Stud Bushing
50505C	25552	Thread Carrying Finger Oscillating Arm Slide Block Holder Driving Stud Bushing Set Screw
462AL	25556	Thread Carrying Finger Oscillating Arm Slide Block Holder Set Screw
131820	25556	Thread Carrying Finger Oscillating Arm Slide Block Holder Shaft
131028	25556	Thread Carrying Finger Oscillating Arm Slide Block Holder Shaft Oil Screw Plug
131821	25556	Thread Laying Finger
168048	25556	Thread Laying Finger Holder with 1057AL and two 50370AL
1057AL	25556	Thread Laying Finger Holder Clamping Screw
50370AL	25556	Thread Laying Finger Set Screw (2)
53225	25563	Thread (under) Eyelet (back)
190J	25563	Thread (under) Eyelet (back) Screw
168101	25564	Thread (under) Eyelet (front)
140180J	25564	Thread (under) Eyelet (front) Screw
7071	25564	Thread (under) Eyelet (front) Screw Washer
168051	25553	Thread (under) Take-up with three 50150AL
50150AL	25553	Thread (under) Take-up Set Screw (3)
168052	25564	Thread (under) Take-up Stripper
168053	25564	Thread (under) Take-up Stripper Bracket
176J	25564	Thread (under) Take-up Stripper Bracket Screw (2)
168102	25564	Thread (under) Take-up Stripper Plate
168103	25564	Thread (under) Take-up Stripper Plate Bracket
168104	25564	Thread (under) Take-up Stripper Plate Bracket 168103 with 17022, 51323J, 168052, 168053, 168101, 168102, 168105, 168106 and three each 176J, 7071 and 140180J
140407C	25564	Thread (under) Take-up Stripper Plate Bracket Screw
176J	25564	Thread (under) Take-up Stripper Plate Screw
51323J	25564	Thread (under) Take-up Stripper Screw
17022	25564	Thread (under) Take-up Stripper Screw Washer
168105	25564	Thread (under) Take-up Stripper Thread Guide
140180J	25564	Thread (under) Take-up Stripper Thread Guide Screw
7071	25564	Thread (under) Take-up Stripper Thread Guide Screw Washer
168106	25564	Thread (under) Take-up Stripper Thread Separator
140180J	25564	Thread (under) Take-up Stripper Thread Separator Screw
7071	25564	Thread (under) Take-up Stripper Thread Separator Screw Washer
168061	25563	Thread (upper) Eyelet
190J	25563	Thread (upper) Eyelet Screw
7071	25563	Thread (upper) Eyelet Screw Washer
168130	25556	Thread (upper) Take-up with 223J
223J	25556	Thread (upper) Take-up Clamping Screw
168045	25563	Thread (upper) Take-up (auxiliary)
131496	25563	Thread (upper) Take-up (auxiliary) Clamp
997J	25563	Thread (upper) Take-up (auxiliary) Clamp Screw
		Throat plate (See Fittings Page Nos. 23 and 24)
742F	25565	Throat Plate (See Fittings Page Nos. 23 and 24)

## LIST OF PARTS COMPLETE

FOR

## MACHINE No. 247-5

FOR SEAMING AND WELTING AUTO SEAT COVERS, UPHOLSTERY CUSHIONS, TROUSERS, COATS AND SIMILAR WORK. THREE NEEDLES, TWO LOOPERS. VERTICAL TRIMMER. DROP FEED. NEEDLE BAR STROKE 1-3/8". CLEARANCE UNDER PRESSER FOOT 7/32". GAUGES BETWEEN LEFT AND CENTER NEEDLES 1/16" TO 1/4", IN STEPS OF 1/16" AND BETWEEN CENTER AND RIGHT NEEDLES 1/8" TO 1/4" IN STEPS OF 1/16". MAXIMUM DISTANCE BETWEEN OUTSIDE NEEDLES 3/8". SPEED 2800, DEPENDING ON MATERIAL USED AND OPERATION PERFORMED.

No.	Plate	Name
*168066		Arm, upper and lower (solid) with 948J, 68483 and four 131022
68428	25551	Arm Bottom Cover
68429	25551	Arm Bottom Cover Gasket (cork)
1057AL	25551	Arm Bottom Cover Screw (4)
50608R	25551	Arm Hole Plug Screw, for access to Crank Connecting Rod (upper bearing)
139017	25551	Arm Hole Plug Screw Washer
68350	25552	Arm Oil Cup, for oiling Arm Rock Shaft Front Bearing
131864	25554	Arm Oil Cup, for 131866
131865	25554	Arm Oil Cup Oil Gauge
131866	25554	Arm Oil Cup with Oil Gauge complete, for filling oil reservoir, Nos. 131864 and 131865
131319	25552	Arm Oil Cup Oil Pad for 68350
168111	25552	Arm Rock Shaft and Front Crank with 853AL, 1235F, 50505C and 131819
1309C	25552	Arm Rock Shaft Adjusting Screw
131056	25552	Arm Rock Shaft Adjusting Screw Washer
68433	25552	Arm Rock Shaft Bushing (back)
68435	25552	Arm Rock Shaft Bushing (back) Cap
131095	25552	Arm Rock Shaft Bushing (back) Cap Washer (fiber)
446AL	25552	Arm Rock Shaft Bushing (back) Set Screw
68436	25552	Arm Rock Shaft Bushing (intermediate)
423AL	25552	Arm Rock Shaft Bushing (intermediate) Set Screw
131072	25554	Arm Rock Shaft Crank, back (ball bearing, solid) with two 50083AL
50083AL	25554	Arm Rock Shaft Crank (back) Set Screw (2)
131456	25552	Arm Rock Shaft Flanged Bushing (front)
453AL	25552	Arm Rock Shaft Flanged Bushing (front) Set Screw
42365	25552	Arm Rock Shaft Oil Pad for oiling Back Bearing
54969	25552	Arm Rock Shaft Oil Pad for oiling Intermediate Bearing
1235F	25552	Arm Rock Shaft Oil Plug Screw
168146	25554	Arm Rotary Shaft with 168215
168147		Arm Rotary Shaft 168146 with 131930 and 168010
131366	25554	Arm Rotary Shaft Ball Bearing (back) (2)



No.	Plate	Name
131478	25554	Arm Rotary Shaft Ball Bearing (back) Case .....
131479	.....	Arm Rotary Shaft Ball Bearing (back) Case 131478 with 131369 and three 205C .....
131526	.....	Arm Rotary Shaft Ball Bearing (back) Case with Ball Bearings complete, Nos. 131479, 131480 and two 131366 .....
131369	25554	Arm Rotary Shaft Ball Bearing (back) Case Cap .....
205C	25554	Arm Rotary Shaft Ball Bearing (back) Case Cap Screw (3)...
131370	25554	Arm Rotary Shaft Ball Bearing (back) Case Position Stud (3)
429C	25554	Arm Rotary Shaft Ball Bearing (back) Case Set Screw .....
131480	25554	Arm Rotary Shaft Ball Bearing (back) Spacing Collar .....
131366	25554	Arm Rotary Shaft Ball Bearing (intermediate) .....
131481	25554	Arm Rotary Shaft Ball Bearing (intermediate) Case .....
1304C	25554	Arm Rotary Shaft Ball Bearing (intermediate) Case Set Screw .....
131482	25554	Arm Rotary Shaft Ball Bearing (intermediate) Collar with two 457AL .....
457AL	25554	Arm Rotary Shaft Ball Bearing (intermediate) Collar Set Screw (2) .....
131959	25554	Arm Rotary Shaft Bushing (front) .....
68497	25554	Arm Rotary Shaft Bushing (front) Bearing Oil Pad (wick) .....
68483	.....	Arm Rotary Shaft Bushing (front) Bracket with 761E .....
948J	25554	Arm Rotary Shaft Bushing (front) Bracket Screw .....
131028	25554	Arm Rotary Shaft Bushing (front) Oil Plug .....
761E	25554	Arm Rotary Shaft Bushing (front) Position Screw .....
131457	25554	Arm Rotary Shaft Bushing (intermediate) .....
761E	25554	Arm Rotary Shaft Bushing (intermediate) Position Screw .....
42367	25554	Arm Rotary Shaft Bushing (intermediate) Oil Pad (lower) .....
54218	25554	Arm Rotary Shaft Bushing (intermediate) Oil Pad (upper) .....
168215	25554	Arm Rotary Shaft Oil Wick .....
144D	25554	Arm Rotary Shaft Screw .....
131276	25551	Arm Side Cover (oil vent) .....
131909	25551	Arm Side Cover Cap .....
131280	25551	Arm Side Cover Cap Position Pin .....
1289X	25551	Arm Side Cover Cap Screw .....
131910	25551	Arm Side Cover Cap Spring .....
131911	25551	Arm Side Cover (oil vent) complete, Nos. 1289X, 131276, 131280, 131909 and 131910 .....
68448	25551	Arm Side Cover Gasket .....
1057AL	25551	Arm Side Cover Screw (4) .....
168067	25555	Chip Chute .....
168068	25555	Chip Chute Arm .....
74C	25555	Chip Chute Arm Hinge Screw .....
6465	25555	Chip Chute Arm Hinge Screw Friction Washer .....
671W	25555	Chip Chute Arm Lock Thumb Screw .....
164E	25555	Chip Chute Screw (2) .....
168300	25555	Cloth Plate (sectional) with two 1011F .....
1011F	25555	Cloth Plate Connecting Block Screw (2) .....
168071	25555	Cloth Plate Slide .....
38419	25555	Cloth Plate Slide Spring .....
665J	25555	Cloth Plate Slide Spring Screw (2) .....
168072	25555	Cloth Plate Slide complete, Nos. 38419, 168071 and two 665J .....
168301	25555	Cloth Plate (sectional) complete, Nos. 168072 and 168300
1011F	25555	Cloth Plate Screw (left) (2) .....
742F	25555	Cloth Plate Screw (right) .....
131926	25554	Crank Connecting Rod with two each 1057AL, 51715AL, 131927 and 131928 .....

NOTE: When No. 131926 is required for repairs, Connecting Rod and Arm Rock Shaft Crank (back) fitted together will be furnished. All Agency orders for the part must state the Machine No. for which it is required, in order to obtain correct Needle Bar Stroke.

No.	Plate	Name
131930	.....	Crank Connecting Rod 131926 with 131072 .....
131927	25554	Crank Connecting Rod Cap (lower) Screw Stud (2) .....
51715AL	25554	Crank Connecting Rod Cap (lower) Screw Stud Nut (2) .....
131928	25554	Crank Connecting Rod Cap (lower) Screw Stud Nut Lock Washer (2) .....
1057AL	25554	Crank Connecting Rod Cap (upper) Screw (2) .....
131760	25557	Face Plate (lower half) .....
131761	25557	Face Plate (lower half) Gasket (cork) .....
330J	25557	Face Plate (lower half) Screw (2) .....
131762	25557	Face Plate (upper half) .....
29234	25557	Face Plate (upper half) Position Plate .....
1053E	25557	Face Plate (upper half) Position Plate Screw .....
50190W	25557	Face Plate (upper half) Thumb Screw .....
168148	25559	Feed Bar with 620AL .....
131730	25559	Feed Bar Feed Dog Seat (adjustable) with 460AL .....
190J	25559	Feed Bar Feed Dog Seat Screw .....
22436	25559	Feed Bar Feed Dog Seat Screw Washer .....
168149	.....	Feed Bar and Feed Dog Leveling Device complete, Nos. 190J, 22436, 131730 and 168148 .....
131197	25559	Feed Bar Hinge Pin (eccentric) .....
59343	25559	Feed Bar Hinge Pin Collar with 735AL .....
735AL	25559	Feed Bar Hinge Pin Collar Set Screw .....
168076	25559	Feed Bar Slide Block (two pieces) .....
131500	25554	Feed Connecting Rod with 1057AL, 68497, 134260 and two 896AL .....
168010	.....	Feed Connecting Rod 131500 with 168011 .....
896AL	25554	Feed Connecting Rod Cap Screw (2) .....
1057AL	25554	Feed Connecting Rod Clamping Screw .....
68497	25554	Feed Connecting Rod Oil Pad (wick) .....
134260	25554	Feed Connecting Rod Oil Pad Retainer .....
140275J	25568	Feed Dog, (See Fittings Page Nos. 24 and 25) .....
460AL	25559	Feed Dog Screw, for use with Movable Needle Guard .....
51061AL	25554	Feed Dog Stop Screw .....
7071	25554	Feed Eccentric Body Set Screw (3) .....
217J	25554	Feed Eccentric Clamping Washer (2) .....
138306	.....	Feed Eccentric Clamping Washer Screw (2) .....
168011	.....	Feed Eccentric Lubricating Pad (wood) .....
168151	25554	Feed Eccentric (adjustable) complete, Nos. 1103C, 138306, two each 217J, 7071 and three 51061AL .....
624AL	25554	Feed Lifting Eccentric with three 624AL .....
1103C	25554	Feed Lifting Eccentric Set Screw (3) .....
131240	25559	Feed Regulating Screw .....
168152	.....	Feed Rocking Frame with two 453AL .....
57234	25559	Feed Rocking Frame 131240 with 59343, 131197, 132583 and 168149 .....
57235	25559	Feed Rocking Frame Hinge Pin .....
453AL	25559	Feed Rocking Frame Hinge Pin Bushing (2) .....
453AL	25559	Feed Rocking Frame Hinge Pin Set Screw (2) .....
168080	25560	Knife (movable) .....
1000C	25560	Knife (movable) Clamping Screw .....
168081	25560	Knife (movable) Holder with 1000C .....
42038	25560	Knife (movable) Holder Guide with 336F .....
42039	25560	Knife (movable) Holder Guide Plate .....
621E	25560	Knife (movable) Holder Guide Plate Screw (2) .....
336F	25560	Knife (movable) Holder Guide Screw .....
42041	25560	Knife (movable) Holder Spring .....
168082	25560	Knife (movable) Lever with 1178C and 20437 .....
168187	.....	Knife (movable) Lever 168082 with 1722J, 14017, 132583 and 168086 .....
168083	25560	Knife (movable) Lever Bearing Arm .....
168084	25560	Knife (movable) Lever Bearing Arm Bracket .....
172E	25560	Knife (movable) Lever Bearing Arm Bracket Screw (2) .....

No.	Plate	Name
54369	25560	Knife (movable) Lever Bearing Arm Collar with two 465AL
465AL	25560	Knife (movable) Lever Bearing Arm Collar Set Screw (2)
1178C	25560	Knife (movable) Lever Clamping Screw
20437	25560	Knife (movable) Lever Clamping Screw Washer
168085	25560	Knife (movable) Lever Connecting Link
132583	25560	Knife (movable) Lever Connecting Link Hinge Pin with 132584 (2)
132584	25560	Knife (movable) Lever Connecting Link Hinge Pin Oil Pad (wick) (2)
620AL	25560	Knife (movable) Lever Connecting Link Hinge Pin Set Screw (2)
168086	25560	Knife (movable) Lever Connection with 620AL
1722J	25560	Knife (movable) Lever Connection Nut
14017	25560	Knife (movable) Lever Connection Nut Washer
168087	25560	Knife (movable) Lever Hinge Screw Stud
1756J	25560	Knife (movable) Lever Hinge Screw Stud Nut
168088	25560	Knife (stationary)
168089	25560	Knife (stationary) Clamping Plate
168090	25560	Knife (stationary) Holder
448AL	25560	Knife (stationary) Holder Set Screw
1253AL	25560	Knife (stationary) Set Screw
168195	25561	Looper (back)
168196	25561	Looper (front)
208AL	25561	Looper (front) Screw (2)
168197	25561	Loopers complete, Nos. 168195, 168196 and two 208AL
168016	25561	Looper Carrier
168208		Looper Carrier 168016 with 132583, 168019, 168020, 168021 and 168023
168238		Looper Carrier 168208 with 168017 and 168205
168017	25561	Looper Carrier Shaft with 1231E
168018	25561	Looper Carrier Shaft Crank with two 1057AL
1057AL	25561	Looper Carrier Shaft Crank Clamping Screw (2)
68497	25554	Looper Carrier Shaft Oil Pad (wick)
1231E	25561	Looper Carrier Shaft Plug Screw
1497C	25561	Looper Carrier Shaft Set Screw
168151	25554	Looper (avoiding motion) Eccentric with three 624AL
168019	25561	Looper (avoiding motion) Eccentric Connection with 223C
132583	25561	Looper (avoiding motion) Eccentric Connection Hinge Pin with 132584
132584	25561	Looper (avoiding motion) Eccentric Connection Hinge Pin Oil Wick
223C	25561	Looper (avoiding motion) Eccentric Connection Hinge Pin Set Screw
168020	25561	Looper (avoiding motion) Eccentric Connection Holder
168021	25561	Looper (avoiding motion) Eccentric Connection Holder Screw Bushing
168022	25561	Looper (avoiding motion) Eccentric Connection Holder Screw Bushing Bearing
448AL	25561	Looper (avoiding motion) Eccentric Connection Holder Screw Bushing Set Screw (2)
168023	25561	Looper (avoiding motion) Eccentric Connection Holder Thrust Bearing
624AL	25554	Looper (avoiding motion) Eccentric Set Screw (3)
168024	25561	Looper (driving) Eccentric with three 1036AL
168025	25561	Looper (driving) Eccentric Connection with two each 175C and 140159AL
168205		Looper (driving) Eccentric Connection 168025 with 50138E, 168018, 168024 and 168026
175C	25561	Looper (driving) Eccentric Connection Cap (lower) Screw (2)
140159AL	25561	Looper (driving) Eccentric Connection Cap (upper) Screw (2)
168026	25561	Looper (driving) Eccentric Connection Position Plate

No.	Plate	Name
50138E	25561	Looper (driving) Eccentric Connection Position Plate Screw
1036AL	25561	Looper (driving) Eccentric Set Screw (3)
131504	25561	Looper Holder with 1120AL
51119J	25561	Looper Holder Screw
1120AL	25561	Looper Set Screw
131914	25554	Machine Driving Pulley, "V" belt groove (outside diam. of belt groove 2.9 in.) with two 51283AL, for 3/8 in. "V" belt
51283AL	25554	Machine Driving Pulley Set Screw (2)
131497	25557	Needle Bar (hollow)
		Needle Bar complete, (See Fittings Page Nos. 24 and 25)
168210	25557	Needle Bar Bushing (lower)
1133E	25557	Needle Bar Bushing (lower) Set Screw
64320	25557	Needle Bar Bushing (upper)
1133E	25557	Needle Bar Bushing (upper) Set Screw
168030	25557	Needle Bar Connecting Link
168031		Needle Bar Connecting Link 168030 with 68489 and 131492
68489	25557	Needle Bar Connecting Link Hinge Stud (hollow)
1520J	25557	Needle Bar Connecting Link Hinge Stud Nut
131270	25557	Needle Bar Connecting Link Hinge Stud Oil Pad (wick)
861C	25557	Needle Bar Connecting Link Hinge Stud Oil Plug Screw
853AL	25552	Needle Bar Connecting Link Hinge Stud Set Screw
131492	25557	Needle Bar Connecting Stud with 1492E
1492E	25557	Needle Bar Connecting Stud Clamping Screw
		Needle Clamp (See Fittings Page Nos. 24 and 25)
		Needle Guard (movable) (See Fittings Page Nos. 24 and 25)
68123	25568	Needle Guard (movable) Clamp
904AL	25557	Needle Set Screw (back) (2)
906AL	25557	Needle Set Screw (front)
68492	25562	Oil Pipe (back of arm) with 68497, for oiling Feed Rocking Frame Hinge Pin Front Bearing
68493	25562	Oil Pipe (back of arm) Clamp
176E	25562	Oil Pipe (back of arm) Clamp Screw
68494	25562	Oil Pipe (back of arm) Connection with 68495 and two 198E, for oiling Feed Rocking Frame Hinge Pin Back Bearing
198E	25562	Oil Pipe (back of arm) Connection Cap Screw (2)
68495	25562	Oil Pipe (back of arm) Connection Oil Pad (wick)
68496	25562	Oil Pipe (back of arm) Coupling
1733	25562	Oil Pipe (back of arm) Coupling Nut (brass)
68497	25562	Oil Pipe (back of arm) Oil Pad (wick)
168036	25562	Oil Pipe (front of arm, long) with two 1733
168037		Oil Pipe (front of arm, long) complete, Nos. 168036, 168038 and 168039
131004	25562	Oil Pipe (front of arm, long) Coupling (left)
131798	25562	Oil Pipe (front of arm, long) Coupling (right)
1733	25562	Oil Pipe (front of arm, long) Coupling Nut (brass) (2)
168038	25562	Oil Pipe (front of arm, long) Oil Lead with 1733, and 131003, for oiling Arm Rotary Shaft Front Bearing
168039	25562	Oil Pipe (front of arm, long) Oil Lead with 68497 and 131003, for oiling Feed Connecting Rod
131003	25562	Oil Pipe (front of arm, long) Oil Lead Connection with two 198E, for 168038 and 168039 (2)
131003	25562	Oil Pipe (front of arm, long) Oil Connection with two 198E, for 168038
198E	25562	Oil Pipe (front of arm, long) Oil Lead Connection Cap Screw (4)
131004	25562	Oil Pipe (front of arm, long) Oil Lead Coupling
1733	25562	Oil Pipe (front of arm, long) Oil Lead Coupling Nut (brass)
68497	25562	Oil Pipe (front of arm, long) Oil Lead Oil Pad (wick)
168040	25562	Oil Pipe (front of arm, short) with 131089 and two 1733

No.	Plate	Name
131004	25562	Oil Pipe (front of arm, short) Coupling (2).....
1733	25562	Oil Pipe (front of arm, short) Coupling Nut (brass) (2).....
131089	.....	Oil Pipe (front of arm, short) Oil Pad (wick).....
168097	25555	Oil Splash Guard.....
330J	25555	Oil Splash Guard Screw (2).....
168042	25555	Oil Splash Guard (side of arm).....
54038	25555	Oil Splash Guard (side of arm) Holder.....
190J	25555	Oil Splash Guard (side of arm) Holder Screw.....
217J	25555	Oil Splash Guard (side of arm) Screw.....
131912	25557	Presser Bar (hollow).....
38456	25557	Presser Bar Bushing (upper).....
1133E	25557	Presser Bar Bushing (upper) Set Screw.....
131799	25557	Presser Bar Lifting Bracket with 453AL.....
11173	25557	Presser Bar Lifting Bracket Guide.....
453AL	25557	Presser Bar Lifting Bracket Guide Set Screw.....
453AL	25557	Presser Bar Lifting Bracket Set Screw.....
131402	25563	Presser Bar Lifting Lever.....
168043	25563	Presser Bar Lifting Lever Extension.....
161J	25563	Presser Bar Lifting Lever Extension Screw (2).....
802X	25563	Presser Bar Lifting Lever Hinge Screw.....
131749	25551	Presser Bar Spring.....
131750	25551	Presser Bar Spring (auxiliary).....
38468	25551	Presser Bar Spring Stud.....
168044	25551	Presser Bar Spring complete, Nos. 269W, 1637J, 131749, 131750 and 131752.....
		Presser Foot (hinged) complete (See Fittings Page Nos. 24 and 25).....
176J	25565	Presser Foot Screw.....
269W	25551	Pressure Regulating Thumb Screw.....
1637J	25551	Pressure Regulating Thumb Screw Lock Nut.....
131752	25551	Pressure Regulating Thumb Screw Washer.....
168046	25557	Tension (thread covering) Controller Eyelet.....
208AL	25557	Tension (thread covering) Controller Eyelet Screw.....
2102	25563	Tension (thread covering) Disc (2).....
51570C	25563	Tension (thread covering) Regulating Thumb Nut.....
32572	25563	Tension (thread covering) Releasing Disc.....
54988	25563	Tension (thread covering) Releasing Pin.....
50326C	25563	Tension (thread covering) Screw Stud.....
59539	.....	Tension (thread covering) Screw Stud 50326C with 51570C.....
131740	25563	Tension (thread covering) Spring.....
59537	25563	Tension (thread covering) Spring Bushing (large).....
59538	25563	Tension (thread covering) Spring Bushing (small).....
54279	25563	Tension (thread covering) Thread Guide (double).....
168047	25557	Tension (thread covering) Thread Guide.....
335J	25557	Tension (thread covering) Thread Guide Screw.....
2102	25563	Tension (under thread) Disc (4).....
51570C	25563	Tension (under thread) Regulating Thumb Nut (2).....
140113C	25563	Tension (under thread) Screw Stud (2).....
131809	.....	Tension (under thread) Screw Stud 140113C with 51570C (2).....
131740	25563	Tension (under thread) Spring (2).....
59537	25563	Tension (under thread) Spring Bushing (large) (2).....
59538	25563	Tension (under thread) Spring Bushing (small) (2).....
131696	25563	Tension (under thread) Thread Guide (double) (2).....
54245	25563	Tension (upper thread) Bracket.....
376J	25563	Tension (upper thread) Bracket Screw.....
2102	25563	Tension (upper thread) Disc (6).....
51570C	25563	Tension (upper thread) Regulating Thumb Nut (3).....
32572	25563	Tension (upper thread) Releasing Disc (3).....
54988	25563	Tension (upper thread) Releasing Pin (3).....
54246	25563	Tension (upper thread) Releasing Shaft.....
54047	25563	Tension (upper thread) Releasing Shaft Crank with 624AL.....
54048	25563	Tension (upper thread) Releasing Shaft Crank Link.....

No.	Plate	Name
624AL	25563	Tension (upper thread) Releasing Shaft Crank Set Screw.....
68261	25563	Tension (upper thread) Releasing Shaft Spring.....
316C	25563	Tension (upper thread) Releasing Shaft Stop Screw.....
1547J	25563	Tension (upper thread) Releasing Shaft Stop Screw Nut.....
50326C	25563	Tension (upper thread) Screw Stud (3).....
59539	.....	Tension (upper thread) Screw Stud 50326C with 51570C (3).....
131741	25563	Tension (upper thread) Spring (3).....
59537	25563	Tension (upper thread) Spring Bushing (large) (3).....
59538	25563	Tension (upper thread) Spring Bushing (small) (3).....
54279	25563	Tension (upper thread) Thread Guide (double) (3).....
168144	25563	Tension (upper thread) Thread Separator.....
168209	25557	Thread Carrying Finger.....
50624E	25557	Thread Carrying Finger Clamping Screw.....
131811	25557	Thread Carrying Finger Holder (segment) with 50624E.....
131812	25557	Thread Carrying Finger Holder Bracket.....
131868	.....	Thread Carrying Finger Holder Bracket 131812 with 212J, 226C, 131811, 131813 and 131814.....
1057AL	25557	Thread Carrying Finger Holder Bracket Screw (2).....
212J	25557	Thread Carrying Finger Holder Cap Screw.....
131813	25557	Thread Carrying Finger Holder Slide Block.....
226C	25557	Thread Carrying Finger Holder Slide Block Cap Screw.....
131814	25557	Thread Carrying Finger Holder Slide Block Crank with 171AL.....
171AL	25557	Thread Carrying Finger Holder Slide Block Crank Clamping Screw.....
131815	25557	Thread Carrying Finger Oscillating Arm (forked) and Presser Bar Bushing (lower).....
131816	25557	Thread Carrying Finger Oscillating Arm Slide Block.....
147518	.....	Thread Carrying Finger Oscillating Arm Slide Block 131816 with 131817 and 140645F.....
140645F	25557	Thread Carrying Finger Oscillating Arm Slide Block Cap Screw.....
131817	25557	Thread Carrying Finger Oscillating Arm Slide Block Holder with 462AL.....
131818	25557	Thread Carrying Finger Oscillating Arm Slide Block Holder Driving Stud.....
131819	25552	Thread Carrying Finger Oscillating Arm Slide Block Holder Driving Stud Bushing.....
50505C	25552	Thread Carrying Finger Oscillating Arm Slide Block Holder Driving Stud Bushing Set Screw.....
462AL	25557	Thread Carrying Finger Oscillating Arm Slide Block Holder Set Screw.....
131820	25557	Thread Carrying Finger Oscillating Arm Slide Block Holder Shaft.....
131028	25557	Thread Carrying Finger Oscillating Arm Slide Block Holder Shaft Oil Screw Plug.....
131821	25557	Thread Laying Finger.....
168048	25557	Thread Laying Finger Holder with 1057AL and two 50370AL.....
1057AL	25557	Thread Laying Finger Holder Clamping Screw.....
50370AL	25557	Thread Laying Finger Set Screw (2).....
53225	25563	Thread (under) Eyelet (back).....
190J	25563	Thread (under) Eyelet (back) Screw.....
168101	25564	Thread (under) Eyelet (front).....
140180J	25564	Thread (under) Eyelet (front) Screw.....
7071	25564	Thread (under) Eyelet (front) Screw Washer.....
168051	25554	Thread (under) Take-up with three 50150AL.....
50150AL	25554	Thread (under) Take-up Set Screw (3).....
168052	25564	Thread (under) Take-up Stripper.....
168053	25564	Thread (under) Take-up Stripper Bracket.....
176J	25564	Thread (under) Take-up Stripper Bracket Screw (2).....
168102	25564	Thread (under) Take-up Stripper Plate.....

**PARTS FOR MACHINE No. 247-5**

No.	Plate	Name
168103	25564	Thread (under) Take-up Stripper Plate Bracket.....
168104	25564	Thread (under) Take-up Stripper Plate Bracket 168103 with 17022, 51323J, 168052, 168053, 168101, 168102, 168105, 168106 and three each 176J, 7071 and 140180J.....
140407C	25564	Thread (under) Take-up Stripper Plate Bracket Screw.....
176J	25564	Thread (under) Take-up Stripper Plate Screw.....
51323J	25564	Thread (under) Take-up Stripper Screw.....
17022	25564	Thread (under) Take-up Stripper Screw Washer.....
168105	25564	Thread (under) Take-up Stripper Thread Guide.....
140180J	25564	Thread (under) Take-up Stripper Thread Guide Screw.....
7071	25564	Thread (under) Take-up Stripper Thread Guide Screw Washer.....
168106	25564	Thread (under) Take-up Stripper Thread Separator.....
140180J	25564	Thread (under) Take-up Stripper Thread Separator Screw.....
7071	25564	Thread (under) Take-up Stripper Thread Separator Screw Washer.....
168061	25563	Thread (upper) Eyelet.....
190J	25563	Thread (upper) Eyelet Screw.....
7071	25563	Thread (upper) Eyelet Screw Washer.....
168130	25557	Thread (upper) Take-up with 223J.....
223J	25557	Thread (upper) Take-up Clamping Screw.....
168045	25563	Thread (upper) Take-up (auxiliary).....
131496	25563	Thread (upper) Take-up (auxiliary) Clamp.....
997J	25563	Thread (upper) Take-up (auxiliary) Clamp Screw.....
		Throat Plate (See Fittings Page Nos. 24 and 25).....
742F	25565	Throat Plate Screw (2).....

**SINGER** Needles should be used  
in **SINGER** Machines  
These Needles and their Containers  
are marked with the  
Company's Trade Mark "SIMANCO.\*\*" 1

Needles in Containers marked  
"FOR SINGER MACHINES"  
are NOT **SINGER** made needles. 2

**FITTINGS FOR MACHINE No. 247-4**

1/8 in.—1/16 in., 1/8 in.—1/8 in.  
and 3/16 in.—1/16 in. gauges

No.	Plate	Name
168235	25565	Feed (back) Dog, 12 teeth (16 teeth to the inch).....
168236	25565	Feed (front) Dog, 12 teeth (16 teeth to the inch).....
131497	25565	Needle Bar (hollow).....
168094	25565	Needle Bar complete, Nos. 131497 and 168095.....
168095	25565	Needle Clamp with 906AL and two 904AL.....
168239	25565	Needle Guard (movable) for 1/8 in.—1/16 in. and 1/8 in.—1/8 in. gauges.....
168293	25565	Needle Guard (movable) for 3/16 in.—1/16 in. gauge.....
904AL	25565	Needle Set Screw (back) (2).....
906AL	25565	Needle Set Screw (front).....
168248	25565	Presser Foot Guard.....
228J	25565	Presser Foot Guard Screw.....
7298	25565	Presser Foot Hinge Pin.....
168249	25565	Presser Foot Plate.....
168099	25565	Presser Foot Shank.....
168250	25565	Presser Foot (hinged) complete, Nos. 228J, 7298, 168099, 168248 and 168249.....
168233	25565	Throat Plate.....
168234	25565	Throat Plate 168233 with 168109 and two 706W.....
168109	25565	Throat Plate Thread Retainer.....
706W	25565	Throat Plate Thread Retainer Screw (2).....

**FITTINGS FOR MACHINE No. 247-4**

1/8 in.—3/16 in., 1/8 in.—1/4 in., 3/16 in.—1/8 in.  
and 3/16 in.—3/16 in. gauges

168077	25566	Feed (back) Dog, 10 teeth (16 teeth to the inch).....
168078	25566	Feed (front) Dog, 12 teeth (16 teeth to the inch).....
131497	25566	Needle Bar (hollow).....
168094	25566	Needle Bar complete, Nos. 131497 and 168095.....
168095	25566	Needle Clamp with 906AL and two 904AL.....
168294	25566	Needle Guard (movable) for 1/8 in.—3/16 in. and 1/8 in.—1/4 in. gauges.....
168293	25566	Needle Guard (movable) for 3/16 in.—1/8 in. gauge.....
168096	25566	Needle Guard (movable) for 3/16 in.—3/16 in. gauge.....
904AL	25566	Needle Set Screw (back) (2).....
906AL	25566	Needle Set Screw (front).....
168248	25566	Presser Foot Guard.....
228J	25566	Presser Foot Guard Screw.....
7298	25566	Presser Foot Hinge Pin.....
168249	25566	Presser Foot Plate.....
168099	25566	Presser Foot Shank.....
168250	25566	Presser Foot (hinged) complete, Nos. 228J, 7298, 168099, 168248 and 168249.....
168107	25566	Throat Plate.....
168108	25566	Throat Plate 168107 with 168109 and two 706W.....
168109	25566	Throat Plate Thread Retainer.....
706W	25566	Throat Plate Thread Retainer Screw (2).....

**FITTINGS FOR MACHINE No. 247-4**

1/4 in.—1/16 in. and 1/4 in.—1/8 in. gauges

No.	Plate	Name
168132	25567	Feed (back) Dog, 12 teeth (16 teeth to the inch)
168133	25567	Feed (front) Dog, 12 teeth (16 teeth to the inch)
131497	25567	Needle Bar (hollow)
168094	25567	Needle Bar complete, Nos. 131497 and 168095
168095	25567	Needle Clamp with 906AL and two 904AL
168295	25567	Needle Guard (movable) for 1/4 in.—1/16 in. gauge
168096	25567	Needle Guard (movable) for 1/4 in.—1/8 in. gauge
904AL	25567	Needle Set Screw (back) (2)
906AL	25567	Needle Set Screw (front)
168248	25567	Presser Foot Guard
228J	25567	Presser Foot Guard Screw
7298	25567	Presser Foot Hinge Pin
168249	25567	Presser Foot Plate
168099	25567	Presser Foot Shank
168250	25567	Presser Foot (hinged) complete, Nos. 228J, 7298, 168099, 168248 and 168249
168134	25567	Throat Plate
168135	25567	Throat Plate 168134 with 168109 and two 706W
168109	25567	Throat Plate Thread Retainer
706W	25567	Throat Plate Thread Retainer Screw (2)

**FITTINGS FOR MACHINE No. 247-5**

1/8 in.—1/16 in., 1/8 in.—1/8 in.  
and 3/16 in.—1/16 in. gauges

168252	25568	Feed Dog, 25 teeth (16 teeth to the inch)
131497	25568	Needle Bar (hollow)
168094	25568	Needle Bar complete, Nos. 131497 and 168095
168095	25568	Needle Clamp with 906AL and two 904AL
168200	25568	Needle Guard (movable) for 1/8 in.—1/16 in. and 1/8 in.—1/8 in. gauges
168199	25568	Needle Guard (movable) for 3/16 in.—1/16 in. gauge
904AL	25568	Needle Set Screw (back) (2)
906AL	25568	Needle Set Screw (front)
168248	25568	Presser Foot Guard
228J	25568	Presser Foot Guard Screw
7298	25568	Presser Foot Hinge Pin
168249	25568	Presser Foot Plate
168099	25568	Presser Foot Shank
168250	25568	Presser Foot (hinged) complete, Nos. 228J, 7298, 168099, 168248 and 168249
168233	25568	Throat Plate
168234	25568	Throat Plate 168233 with 168109 and two 706W
168109	25568	Throat Plate Thread Retainer
706W	25568	Throat Plate Thread Retainer Screw (2)

**FITTINGS FOR MACHINE No. 247-5**

1/8 in.—3/16 in., 1/8 in.—1/4 in., 3/16 in.—1/8 in.  
and 3/16 in.—3/16 in. gauges

No.	Plate	Name
168162	25569	Feed Dog, 25 teeth (16 teeth to the inch)
168150	25569	Feed Dog, 16 teeth (10 teeth to the inch)
131497	25569	Needle Bar (hollow)
168094	25569	Needle Bar complete, Nos. 131497 and 168095
168095	25569	Needle Clamp with 906AL and two 904AL
168153	25569	Needle Guard (movable)
904AL	25569	Needle Set Screw (back) (2)
906AL	25569	Needle Set Screw (front)
168248	25569	Presser Foot Guard
228J	25569	Presser Foot Guard Screw
7298	25569	Presser Foot Hinge Pin
168249	25569	Presser Foot Plate
168099	25569	Presser Foot Shank
168250	25569	Presser Foot (hinged) complete, Nos. 228J, 7298, 168099, 168248 and 168249
168107	25569	Throat Plate
168108	25569	Throat Plate 168107 with 168109 and two 706W
168109	25569	Throat Plate Thread Retainer
706W	25569	Throat Plate Thread Retainer Screw (2)

**FITTINGS FOR MACHINE No. 247-5**

1/4 in.—1/16 in. and 1/4 in.—1/8 in. gauges

168253	25570	Feed Dog, 26 teeth (16 teeth to the inch)
131497	25570	Needle Bar (hollow)
168094	25570	Needle Bar complete, Nos. 131497 and 168095
168095	25570	Needle Clamp with 906AL and two 904AL
168153	25570	Needle Guard (movable)
904AL	25570	Needle Set Screw (back) (2)
906AL	25570	Needle Set Screw (front)
168248	25570	Presser Foot Guard
228J	25570	Presser Foot Guard Screw
7298	25570	Presser Foot Hinge Pin
168249	25570	Presser Foot Plate
168099	25570	Presser Foot Shank
168250	25570	Presser Foot (hinged) complete, Nos. 228J, 7298, 168099, 168248 and 168249
168134	25570	Throat Plate
168135	25570	Throat Plate 168134 with 168109 and two 706W
168109	25570	Throat Plate Thread Retainer
706W	25570	Throat Plate Thread Retainer Screw (2)

## ACCESSORIES

	Name	No.	Plate
120344	25571 Oiler (copper plated) with 120345	120345	
120345	25571 Oiler Spout, 4 1/2 in. long		
120440	25571 Screw Driver (large)		
121108	25571 Screw Driver (small)		
120341	25571 Tweezers (curved)		
17905	25571 Wrench		
8908	25571 Wrench		
42089	25571 Wrench		
23535	25571 Wrench		

## CHIP CHUTES

168198	25572	Chip Chute (under table) with four wood screws 3/8 in. No. 6 R.H.B., for semi-submerged mounting
168211	25572	Chip Chute with two 330R, for fully-submerged mounting
330R	25572	Chip Chute Screw (2)

## BELT GUARD

168063	25573	Belt Guard with two wood screws 3/4 in. No. 12 R.H.
--------	-------	---

## BENCH STAND

(For Semi-Submerged Mounting)

135320		Bench Stand with 27998, two 126849 and ten wood screws 2 in. No. 10
126849	25571	Flap Hinge with four wood screws 3/4 in. No. 7 (2)
27998	25571	Flap Hook and Eye (brass) with wood screw 1/2 in. No. 5

## FOOT LIFTER PARTS

(For Gathering Feed Machine (247-4) Two Each of the Following Parts Are Required)

No.	Plate	Name
6439		Chain, 36 in. to 45 in., with 56864 and 56865
NOTE: When ordering No. 6439, state length required.		
4879	25573	Chain Connecting Link
56864	25571	Chain Hook (large)
56865	25571	Chain Hook (small)
126249	25573	Treadle
4882	25573	Treadle Shaft
126250	25573	Treadle Spring
150451	25573	Treadle Stand
150452	25573	Treadle complete, Nos. 4879, 4882, 126249, 126250, 150451 and two wood screws 1 in. No. 16 F.H.

## KNEE LIFTER PARTS

37563		Chain, length 15 in., with 56864 and 56865
56864	25571	Chain Hook (large)
56865	25571	Chain Hook (small)
2763	25573	Rock Shaft
12242	25573	Rock Shaft Hanger with two wood screws 1 in. No. 10 (2)
6335	25573	Rock Shaft Knee Arm
6336		Rock Shaft Knee Arm complete, Nos. 2766, 2767 and 6335
2766	25573	Rock Shaft Knee Arm Hub with 356C
356C	25573	Rock Shaft Knee Arm Hub Set Screw
2767	25573	Rock Shaft Knee Plate with 356C
356C	25573	Rock Shaft Knee Plate Set Screw
6337	25573	Rock Shaft Lifting Bracket with two 356C
7125	25573	Rock Shaft Lifting Bracket Hook
356C	25573	Rock Shaft Lifting Bracket Hook Set Screw
356C	25573	Rock Shaft Lifting Bracket Set Screw
2770	25573	Rock Shaft Stop Dog with 140219C
140219C	25573	Rock Shaft Stop Dog Set Screw
23767	25573	Rock Shaft complete, Nos. 2763, 2770, 6336, 6337, 7125 and two 12242

## MACHINE BASE

131263	24409	Machine Base
54477	24409	Machine Base Screw Stud, to fasten base to table (3)
131205	24409	Machine Base Screw Stud, to position machine on base (4)
51576E	24409	Machine Base Screw Stud Nut (3)
9842	24409	Machine Base Screw Stud Nut Washer (3)
131022	24409	Machine Base Screw Stud Bushing (rubber) (4)
131279	24409	Machine Cushion (felt) (4)
131264	24409	Machine Base complete, Nos. 131263, three each 9842, 51576E, 54477 and four each 131205 and 131279
131328	24409	Machine Base and Oil Drain Jar (swinging type) complete, Nos. 131264 and 131268

## MACHINE BASE OIL DRAIN JAR

(Swinging Type)

No.	Plate	Name
131961	24409	Jar (glass) 2 1/8 in. diam. at mouth
131962	24409	Jar Cap (diam. of recess for jar 2 7/16 in.)
131188	24409	Jar Clamp
131217		Jar Clamp 131188 with 131189
131189	24409	Jar Clamp Lever
1247C	24409	Jar Clamp Lever Hinge Screw (2)
131265	24409	Nipple (long) (2)
131266	24409	Nipple (short)
131267	24409	Nipple Elbow (2)
131268	24409	Machine Base Oil Drain Jar (swinging type) complete, Nos. 131217, 131266, 131961, 131962 and two each 1247C, 131265 and 131267

## THREAD UNWINDER

(For Six Spools)

151032	25574	Base with 138R and three wood screws 1 in. No. 12 F.H.
225257	25574	Spool Rest with 201018C and two each 201528X, 228692 and 228693 (3)
228692	25574	Spool Pin (6)
201528X		Spool Pin Nut (6)
228693		Spool Pin Washer (6)
151039	25574	Spool Rest Bracket
151034	25574	Spool Rest Bracket Rod
138R	25574	Spool Rest Bracket Rod Set Screw
150203	25574	Spool Rest Cushion (felt) (6)
1395R	25574	Spool Rest Screw (for center spool rest)
201018C		Spool Rest Set Screw (3)
151035	25574	Thread Guide (6)
1521R		Thread Guide Nut (12)
9525		Thread Guide Nut Washer (12)
151038	25574	Thread Unwinder complete, Nos. 1395R, 151032, 151034, 151039, three 225257, six each 150203, 151035 and twelve each 1521R and 9525R

**SINGER** Needles should be used  
in **SINGER** Machines  
These Needles and their Containers  
are marked with the  
Company's Trade Mark "SIMANCO.\*\*" 1

Needles in Containers marked  
"FOR SINGER MACHINES"  
are NOT **SINGER** made needles. 2

## NUMERICAL LIST OF PARTS

No.	Plate	Name
61C	25558	Gathering Feed Regulator Connection Hinge Screw (front) for 168304
74C	25555	Chip Chute Arm Hinge Screw
138R	25574	Thread Unwinder Spool Rest Bracket Rod Set Screw for 151032
144D	25553	Arm Rotary Shaft Screw
157J	25565	Feed (back) Dog Screw for 247-4 Machine
161J	25563	Presser Bar Lifting Lever Extension Screw (2)
164E	25555	Chip Chute Screw (2)
170C	25558	Gathering Feed Actuating Lever Spring Screw Stud (lower) for 247-4 Machine
171AL	25556	Thread Carrying Finger Holder Slide Block Crank Clamping Screw for 131814
172J	25558	Gathering Feed Actuating Lever Bracket Screw for 247-4 Machine (2)
172E	25560	Knife (movable) Lever Bearing Arm Bracket Screw (2)
175C	25558	Gathering Feed Actuating Lever Stop Screw (upper) for 131777
175C	25561	Looper (driving) Eccentric Connection Cap (lower) Screw for 168025 (2)
176E	25562	Oil Pipe (back of arm) Clamp Screw
176J	25565	Presser Foot Screw
176J	25564	Thread (under) Take-up Stripper Bracket Screw for 168104 (2)
176J	25564	Thread (under) Take-up Stripper Plate Screw for 168104
190J	25559	Feed Bar Feed Dog Seat Screw for 168149
190J	25565	Feed (front) Dog Screw for 247-4 Machine
190J	25555	Oil Splash Guard (side of arm) Holder Screw
190J	25563	Thread (under) Eyelet (back) Screw
190J	25563	Thread (upper) Eyelet Screw
198E	25562	Oil Pipe (back of arm) Connection Cap Screw for 68494 (2)
198E	25562	Oil Pipe (front of arm, long) Oil Lead Connection Cap Screw for 131003 (4)
205C	25553	Arm Rotary Shaft Ball Bearing (back) Case Cap Screw for 131479 (3)
208AL	25561	Looper (front) Screw for 168197 (2)
208AL	25556	Tension (thread covering) Controller Eyelet Screw
212J	25556	Thread Carrying Finger Holder Cap Screw for 131868
217J	25553	Feed Eccentric Clamping Washer Screw for 168011 (2)
217J	25555	Oil Splash Guard (side of arm) Screw
223C	25561	Looper (avoiding motion) Eccentric Connection Hinge Pin Set Screw for 168019
223J	25556	Thread (upper) Take-up Clamping Screw for 168130
226C	25556	Thread Carrying Finger Holder Slide Block Cap Screw for 131868
228J	25565	Presser Foot Guard Screw for 168250
269W	25551	Pressure Regulating Thumb Screw for 168044
316C	25563	Tension (upper thread) Releasing Shaft Stop Screw
330J	25556	Face Plate (lower half) Screw (2)
330J	25555	Oil Splash Guard Screw (2)
330R	25572	Chip Chute Screw for 168211 (2)
335J	25556	Tension (thread covering) Thread Guide Screw
336F	25560	Knife (movable) Holder Guide Screw for 42038
356C	25573	Knee Lifter Rock Shaft Knee Arm Hub Set Screw for 2766
356C	25573	Knee Lifter Rock Shaft Knee Plate Set Screw for 2767
356C	25573	Knee Lifter Rock Shaft Lifting Bracket Hook Set Screw for 6337
356C	25573	Knee Lifter Rock Shaft Lifting Bracket Set Screw for 6337
359C	25558	Gathering Feed Actuating Lever Locking Screw for 131867
376J	25563	Tension (upper thread) Bracket Screw
423AL	25552	Arm Rock Shaft Bushing (intermediate) Set Screw

No.	Plate	Name
429C	25553	Arm Rotary Shaft Ball Bearing (back) Case Set Screw
446AL	25552	Arm Rock Shaft Bushing (back) Set Screw
448AL	25560	Knife (stationary) Holder Set Screw
448AL	25561	Looper (avoiding motion) Eccentric Connection Holder Screw Bushing Set Screw (2)
453AL	25552	Arm Rock Shaft Flanged Bushing (front) Set Screw
453AL	25558	Feed Rocking Frame Hinge Pin Bushing Set Screw (2)
453AL	25559	Feed Rocking Frame Hinge Pin Set Screw for 131240 (2)
453AL	25556	Presser Bar Lifting Bracket Guide Set Screw
453AL	25556	Presser Bar Lifting Bracket Set Screw for 131799
457AL	25553	Arm Rotary Shaft Ball Bearing (intermediate) Collar Set Screw for 131482 (2)
460AL	25559	Feed Dog Stop Screw for 131730
462AL	25556	Thread Carrying Finger Oscillating Arm Slide Block Holder Set Screw for 131817
465AL	25560	Knife (movable) Lever Bearing Arm Collar Set Screw for 54369 (2)
620AL	25560	Knife (movable) Lever Connecting Link Hinge Pin Set Screw for 168074, 168086, and 168148
621E	25560	Knife (movable) Holder Guide Plate Screw (2)
624AL	25553	Feed Lifting Eccentric Set Screw for 168012 and 168151 (3)
624AL	25553	Looper (avoiding motion) Eccentric Set Screw for 168012 and 168151 (3)
624AL	25563	Tension (upper thread) Releasing Shaft Crank Set Screw for 54047
665J	25555	Cloth Plate Slide Spring Screw for 168072 (2)
671W	25555	Chip Chute Arm Lock Thumb Screw
704E	25558	Feed (front) Bar Guide Screw for 168304
706W	25565	Throat Plate Thread Retainer Screw for 168108, 168135 and 168234 (2)
735AL	25559	Feed Bar Hinge Pin Collar Set Screw for 59343
735AL	25558	Feed Connecting Rod Hinge Pin Collar Set Screw for 59343
742F	25555	Cloth Plate Screw (right)
742F	25565	Throat Plate Screw (2)
761E	25553	Arm Rotary Shaft Bushing (front) Position Screw for 68483
761E	25553	Arm Rotary Shaft Bushing (intermediate) Position Screw
802X	25563	Presser Bar Lifting Lever Hinge Screw
853AL	25552	Needle Bar Connecting Link Hinge Stud Set Screw for 168111
861C	25556	Needle Bar Connecting Link Hinge Stud Oil Plug Screw
889AL	25558	Feed (back) Bar Hinge Pin Set Screw for 247-4 Machine
896AL	25553	Feed Connecting Rod Cap Screw for 131500 (2)
904Ai	25556	Needle Set Screw (back) for 168095 (2)
906AL	25556	Needle Set Screw (front) for 168095
910AL	25558	Gathering Feed Actuating Lever Stop Screw (lower) for 131777
948J	25553	Arm Rotary Shaft Bushing (front) Bracket Screw for 168066
997I	25563	Thread (upper) Take-up (auxiliary) Clamp Screw
1000C	25560	Knife (movable) Clamping Screw for 168081
1011F	25555	Cloth Plate Connecting Block Screw for 168300 (2)
1011F	25555	Cloth Plate Screw (left) (2)
1036AL	25558	Feed Rocking Frame Hinge Pin Set Screw for 131773 (2)
1036AL	25561	Looper (driving) Eccentric Set Screw for 168024 (3)
1053E	25556	Face Plate (upper half) Position Plate Screw
1057AL	25551	Arm Bottom Cover Screw (4)
1057AL	25551	Arm Side Cover Screw (4)
1057AL	25553	Crank Connecting Rod Cap (upper) Screw for 131926 (2)
1057AL	25553	Feed Connecting Rod Clamping Screw for 131500
1057AL	25558	Gathering Feed Regulator Clamping Screw for 131779 (2)
1057AL	25561	Looper Carrier Shaft Crank Clamping Screw for 168018 (2)

No.	Plate	Name
1057AL	25556	Thread Carrying Finger Holder Bracket Screw (2)
1057AL	25556	Thread Laying Finger Holder Clamping Screw for 168048
1103C	25553	Feed Regulating Screw for 168011
1120AL	25561	Looper Set Screw for 131504
1133E	25556	Needle Bar Bushing (lower) Set Screw
1133E	25556	Needle Bar Bushing (upper) Set Screw
1133E	25556	Presser Bar Bushing (upper) Set Screw
1147AL	25558	Feed (front) Bar Slide Bar Set Screw for 168074
1178C	25560	Knife (movable) Lever Clamping Screw for 168082
1226C	25558	Gathering Feed Actuating Lever Spring Screw Stud (upper) for 131867
1231E	25561	Looper Carrier Shaft Plug Screw for 168017
1235F	25552	Arm Rock Shaft Oil Plug Screw for 168111
1247C	24409	Machine Base Oil Drain Jar Clamp Lever Hinge Screw for 131268 (2)
1253AL	25560	Knife (stationary) Set Screw
1289X	25551	Arm Side Cover Cap Screw for 131911
1304C	25553	Arm Rotary Shaft Ball Bearing (intermediate) Case Set Screw
1309C	25552	Arm Rock Shaft Adjusting Screw
1395R	25574	Thread Unwinder Spool Rest Screw (for center spool rest) for 151038
1492E	25556	Needle Bar Connecting Stud Clamping Screw for 131492
1497C	25561	Looper Carrier Shaft Set Screw
1520J	25558	Gathering Feed Actuating Lever Hinge Screw Nut for 131867
1520J	25556	Needle Bar Connecting Link Hinge Stud Nut
1521R	25563	Thread Unwinder Thread Guide Nut for 151038 (12)
1547J	25563	Tension (upper thread) Releasing Shaft Stop Screw Nut
1637J	25551	Pressure Regulating Thumb Screw Lock Nut for 168044
1654C	25558	Gathering Feed Actuating Lever Locking Screw Lock Nut for 131867
1654C	25558	Gathering Feed Actuating Lever Locking Screw Nut for 131867
1655E	25558	Gathering Feed Regulator Connection Hinge Screw (front) Nut for 168304
1722J	25560	Knife (movable) Lever Connection Nut for 168187
1733	25562	Oil Pipe (back of arm) Coupling Nut (brass)
1733	25562	Oil Pipe (front of arm, long) Coupling Nut (brass) for 168036 (2)
1733	25562	Oil Pipe (front of arm, long) Oil Lead Coupling Nut (brass)
1733	25562	Oil Pipe (front of arm, short) Coupling Nut (brass) for 168040 (2)
1735C	25558	Gathering Feed Actuating Lever Stop Screw (lower) Nut for 131777
1735C	25558	Gathering Feed Actuating Lever Stop Screw (upper) Nut for 131777
1756J	25560	Knife (movable) Lever Hinge Screw Stud Nut
2102	25563	Tension (thread covering) Disc (2)
2102	25563	Tension (under thread) Disc (4)
2102	25563	Tension (upper thread) Disc (6)
2763	25573	Knee Lifter Rock Shaft for 23767
2766	25573	Knee Lifter Rock Shaft Knee Arm Hub with 356C, for 6336
2767	25573	Knee Lifter Rock Shaft Knee Plate with 356C, for 6336
2770	25573	Knee Lifter Rock Shaft Stop Dog with 140219C, for 23767
4879	25573	Chain Connecting Link for 150452
4882	25573	Treadle Shaft for 150452
6335	25573	Knee Lifter Rock Shaft Knee Arm for 6336
6336	25573	Knee Lifter Rock Shaft Knee Arm complete, for 23767, Nos. 2766, 2767 and 6335
6337	25573	Knee Lifter Rock Shaft Lifting Bracket with two 356C, for 23767
6439	25573	Chain, 36 in. to 45 in. with 56864 and 56865

NOTE: When ordering No. 6439, state length required.



No.	Plate	Name
6465	25555	Chip Chute Arm Hinge Screw Friction Washer.....
7071	25553	Feed Eccentric Clamping Washer for 168011 (2).....
7071	25565	Needle Guard (movable) Screw Washer for 247-4 Machine.....
7071	25564	Thread (under) Eyelet (front) Screw Washer for 168104.....
7071	25564	Thread (under) Take-up Stripper Thread Guide Screw Washer for 168104.....
7071	25564	Thread (under) Take-up Stripper Thread Separator Screw Washer for 168104.....
7071	25563	Thread (upper) Eyelet Screw Washer.....
7125	25573	Knee Lifter Rock Shaft Lifting Bracket Hook for 23767.....
7298	25565	Presser Foot Hinge Pin for 168250.....
8908	25571	Wrench (Accessories).....
9525	25558	Gathering Feed Actuating Lever Locking Screw Washer for 131867.....
9525	.....	Thread Unwinder Thread Guide Nut Washer for 151038 (12).....
9842	24409	Machine Base Screw Stud Nut Washer for 131264 (3).....
11173	25556	Presser Bar Lifting Bracket Guide.....
12242	25573	Knee Lifter Rock Shaft Hanger with two wood screws 1 in. No. 10 for 23767 (2).....
14017	25560	Knife (movable) Lever Connection Nut Washer for 168187.....
17022	25564	Thread (under) Take-up Stripper Screw Washer for 168104.....
17905	25571	Wrench (Accessories).....
20437	25560	Knife (movable) Lever Clamping Screw Washer for 168082.....
22436	25559	Feed Bar Feed Dog Seat Screw Washer for 168149.....
23535	25571	Wrench (Accessories).....
23767	25573	Knee Lifter Rock Shaft complete, Nos. 2763, 2770, 6336, 6337, 7125 and two 12242.....
27998	25571	Bench Stand Flap Hook and Eye (brass) with wood screws 1/2 in. No. 5 for 135320.....
29234	25556	Face Plate (upper half) Position Plate.....
32572	25563	Tension (thread covering) Releasing Disc.....
32572	25563	Tension (upper thread) Releasing Disc (3).....
37563	.....	Knee Lifter Chain, length 15 in. with 56864 and 56865.....
38419	25555	Cloth Plate Slide Spring for 168072.....
38456	25556	Presser Bar Bushing (upper).....
38468	25551	Presser Bar Spring Stud.....
42038	25560	Knife (movable) Holder Guide with 336F.....
42039	25560	Knife (movable) Holder Guide Plate.....
42041	25560	Knife (movable) Holder Spring.....
42089	25571	Wrench (Accessories).....
42365	25552	Arm Rock Shaft Oil Pad for oiling Back Bearing.....
42367	25553	Arm Rotary Shaft Bushing (intermediate) Oil Pad (lower).....
50083AL	25553	Arm Rock Shaft Crank (back) Set Screw for 131072 (2).....
50138E	25561	Looper (driving) Eccentric Connection Position Plate Screw for 168205.....
50150AL	25553	Thread (under) Take-up Set Screw for 168051 (3).....
50183F	25558	Gathering Feed Actuating Lever Hinge Screw for 131867.....
50190W	25556	Face Plate (upper half) Thumb Screw.....
50326C	25563	Tension (thread covering) Screw Stud for 59539.....
50326C	25563	Tension (upper thread) Screw Stud for 59539 (3).....
50370AL	25556	Thread Laying Finger Set Screw for 168048 (2).....
50429AL	25558	Feed (back) Dog Stop Screw for 168074.....
50505C	25552	Thread Carrying Finger Oscillating Arm Slide Block Holder Driving Stud Bushing Set Screw for 168111.....
50608R	25551	Arm Hole Plug Screw, for access to Crank Connecting Rod (upper hearing).....
50624E	25556	Thread Carrying Finger Clamping Screw for 131811.....
51047C	25565	Needle Guard (movable) Screw for 247-4 Machine.....
51061AL	25553	Feed Eccentric Body Set Screw for 168011 (3).....
51119J	25561	Looper Holder Screw.....
51283AL	25553	Machine Driving Pulley Set Screw for 131914 (2).....
51323J	25564	Thread (under) Take-up Stripper Screw for 168104.....

No.	Plate	Name
51369E	25565	Needle Guard (movable) Holder Screw for 247-4 Machine.....
51408AL	25558	Feed (front) Bar Feed Dog Seat Screw for 147570.....
51570C	25563	Tension (thread covering) Regulating Thumb Nut for 59539.....
51570C	25563	Tension (under thread) Regulating Thumb Nut for 131809 (2).....
51570C	25563	Tension (upper thread) Regulating Thumb Nut for 59539 (3).....
51576E	24409	Machine Base Screw Stud Nut for 131264 (3).....
51700C	25558	Gathering Feed Regulator Connection Hinge Screw (back) Nut for 168304.....
51715AL	25553	Crank Connecting Rod Cap (lower) Screw Stud Nut for 131926 (2).....
53225	25563	Thread (under) Eyelet (back).....
54038	25555	Oil Splash Guard (side of arm) Holder.....
54047	25563	Tension (upper thread) Releasing Shaft Crank with 624AL.....
54048	25563	Tension (upper thread) Releasing Shaft Crank Link.....
54218	25553	Arm Rotary Shaft Bushing (intermediate) Oil Pad (upper).....
54245	25563	Tension (upper thread) Bracket.....
54246	25563	Tension (upper thread) Releasing Shaft.....
54279	25563	Tension (thread covering) Thread Guide (double).....
54279	25563	Tension (upper thread) Thread Guide (double) (3).....
54369	25560	Knife (movable) Lever Bearing Arm Collar with two 465AL.....
54477	24409	Machine Base Screw Stud, to fasten base to table for 131264 (3).....
54969	25552	Arm Rock Shaft Oil Pad for oiling Intermediate Bearing.....
54988	25563	Tension (thread covering) Releasing Pin.....
54988	25563	Tension (upper thread) Releasing Pin (3).....
56864	25571	Chain Hook (large) for 6439 and 37563.....
56865	25571	Chain Hook (small) for 6439 and 37563.....
57234	25559	Feed Rocking Frame Hinge Pin for 247-5 Machine.....
57235	25558	Feed Rocking Frame Hinge Pin Bushing (2).....
59343	25559	Feed Bar Hinge Pin Collar with 735AL, for 168152.....
59343	25558	Feed Connecting Rod Hinge Pin Collar with 735AL, for 168304.....
59537	25563	Tension (thread covering) Spring Bushing (large).....
59537	25563	Tension (under thread) Spring Bushing (large) (2).....
59537	25563	Tension (upper thread) Spring Bushing (large) (3).....
59538	25563	Tension (thread covering) Spring Bushing (small).....
59538	25563	Tension (under thread) Spring Bushing (small) (2).....
59538	25563	Tension (upper thread) Spring Bushing (small) (3).....
59539	.....	Tension (thread covering) Screw Stud 50326C with 51570C.....
59539	.....	Tension (upper thread) Screw Stud 50326C with 51570C (3).....
64320	25556	Needle Bar Bushing (upper).....
68123	25568	Needle Guard (movable) Clamp for 247-5 Machine.....
68261	25563	Tension (upper thread) Releasing Shaft Spring.....
68350	25552	Arm Oil Cup, for oiling Arm Rock Shaft Front Bearing.....
68428	25551	Arm Bottom Cover.....
68429	25551	Arm Bottom Cover Gasket (cork).....
68433	25552	Arm Rock Shaft Bushing (back).....
68435	25552	Arm Rock Shaft Bushing (back) Cap.....
68436	25552	Arm Rock Shaft Bushing (intermediate).....
68448	25551	Arm Side Cover Gasket.....
68483	.....	Arm Rotary Shaft Bushing (front) Bracket with 761E, for 168066.....
68489	25556	Needle Bar Connecting Link Hinge Stud (hollow) for 168031.....
68492	25562	Oil Pipe (back of arm) with 68497, for oiling Feed Rocking Frame Hinge Pin Front Bearing.....
68493	25562	Oil Pipe (back of arm) Clamp.....
68494	25562	Oil Pipe (back of arm) Connection with 68495 and two 198E, for oiling Feed Rocking Frame Hinge Pin Back Bearing.....

No.	Plate	Name
68495	25562	Oil Pipe (back of arm) Connection Oil Pad (wick) for 68494
68496	25562	Oil Pipe (back of arm) Coupling
68497	25553	Arm Rotary Shaft Bushing (front) Bearing Oil Pad (wick)
68497	25553	Feed Connecting Rod Oil Pad (wick) for 131500
68497	25553	Looper Carrier Shaft Oil Pad (wick)
68497	25562	Oil Pipe (back of arm) Oil Pad (wick) for 68492
68497	25562	Oil Pipe (front of arm, long) Oil Lead Oil Pad (wick) for 168039
120341	25571	Tweezers (curved) Accessories
120344	25571	Oiler (copper plated) with 120345 (Accessories)
120345	25571	Oiler Spout, 4 1/2 in. long, for 120344
120440	25571	Screw Driver (large) Accessories
121108	25571	Screw Driver (small) Accessories
126249	25573	Treadle for 150452
126250	25573	Treadle Spring for 150452
126849	25571	Bench Stand Flap Hinge with four wood screws 3/4 in. No. 7 for 135320 (2)
131003	25562	Oil Pipe (front of arm, long) Oil Lead Connection with two 198E, for 168038 and 168039 (2)
131004	25562	Oil Pipe (front of arm, long) Coupling (left)
131004	25562	Oil Pipe (front of arm, long) Oil Lead Coupling
131004	25562	Oil Pipe (front of arm, short) Coupling (2)
131022	24409	Machine Base Screw Stud Bushing (rubber) for 168066 (4)
131028	25553	Arm Rotary Shaft Bushing (front) Oil Plug
131028	25556	Thread Carrying Finger Oscillating Arm Slide Block Holder Shaft Oil Screw Plug
131056	25552	Arm Rock Shaft Adjusting Screw Washer
131072	25553	Arm Rock Shaft Crank, back (ball bearing, solid) with two 50083AL, for 131930
131089		Oil Pipe (front of arm, short) Oil Pad (wick) for 168040
131095	25552	Arm Rock Shaft Bushing (back) Cap Washer (fiber)
131188	24409	Machine Base Oil Drain Jar Clamp for 131217
131189	24409	Machine Base Oil Drain Jar Clamp Lever for 131217
131197	25559	Feed Bar Hinge Pin (eccentric) for 168152
131205	24409	Machine Base Screw Stud to position machine on base for 131264 (4)
131217		Machine Base Oil Drain Jar Clamp 131188 with 131189, for 131268
131240	25559	Feed Rocking Frame with two 453AL, for 168152
131263	24409	Machine Base for 131264
131264	24409	Machine Base complete, for 131328, Nos. 131263, three each 9842, 51576E, 54477 and four each 131205 and 131279
131265	24409	Machine Base Oil Drain Jar Nipple (long) for 131268 (2)
131266	24409	Machine Base Oil Drain Jar Nipple (short) for 131268
131267	24409	Machine Base Oil Drain Jar Nipple Elbow for 131268 (2)
131268	24409	Machine Base Oil Drain Jar (swinging type) complete, for 131328, Nos. 131217, 131266, 131961, 131962 and two each 1247C, 131265 and 131267
131270	25556	Needle Bar Connecting Link Hinge Stud Oil Pad (wick)
131276	25551	Arm Side Cover (oil vent) for 131911
131279	24409	Machine Cushion (felt) for 131264 (4)
131280	25551	Arm Side Cover Cap Position Pin for 131911
131291	25556	Needle Bar Bushing (lower) for 247-4 Machine
131319	25552	Arm Oil Cup Oil Pad for 68350
131328	24409	Machine Base and Oil Drain Jar (swinging type) complete, Nos. 131264 and 131268
131366	25553	Arm Rotary Shaft Ball Bearing (back) for 131526 (2)
131366	25553	Arm Rotary Shaft Ball Bearing (intermediate)
131369	25553	Arm Rotary Shaft Ball Bearing (back) Case Cap for 131479
131370	25553	Arm Rotary Shaft Ball Bearing (back) Case Position Stud (3)

No.	Plate	Name
131402	25563	Presser Bar Lifting Lever
131456	25552	Arm Rock Shaft Flanged Bushing (front)
131457	25553	Arm Rotary Shaft Bushing (intermediate)
131478	25553	Arm Rotary Shaft Ball Bearing (back) Case for 131479
131479		Arm Rotary Shaft Ball Bearing (back) Case 131478 with 131369 and three 205C, for 131526
131480	25553	Arm Rotary Shaft Ball Bearing (back) Spacing Collar for 131526
131481	25553	Arm Rotary Shaft Ball Bearing (intermediate) Case
131482	25553	Arm Rotary Shaft Ball Bearing (intermediate) Collar with two 457AL
131492	25556	Needle Bar Connecting Stud with 1492E, for 168031
131496	25563	Thread (upper) Take-up (auxiliary) Clamp
131497	25556	Needle Bar (hollow) for 168094
131500	25553	Feed Connecting Rod with 1057AL, 68497, 134260 and two 896AL, for 168010
131504	25561	Looper Holder with 1120AL
131526		Arm Rotary Shaft Ball Bearing (back) Case with Ball Bearings complete, Nos. 131479, 131480 and two 131366
131696	25563	Tension (under thread) Thread Guide (double) (2)
131730	25559	Feed Bar Feed Dog Seat (adjustable) with 460AL, for 168149
131740	25563	Tension (thread covering) Spring
131740	25563	Tension (under thread) Spring (2)
131741	25563	Tension (upper thread) Spring (3)
131749	25551	Presser Bar Spring for 168044
131750	25551	Presser Bar Spring (auxiliary) for 168044
131752	25551	Pressure Regulating Thumb Screw Washer for 168044
131760	25556	Face Plate (lower half)
131761	25556	Face Plate (lower half) Gasket (cork)
131762	25556	Face Plate (upper half)
131766	25558	Feed (back) Bar Hinge Pin for 247-4 Machine
131769	25558	Feed (front) Bar Guide for 147571
131770	25558	Feed (front) Bar Slide Bar for 147571
131772	25558	Feed Connecting Rod Hinge Pin (eccentric) for 168304
131773	25558	Feed Rocking Frame with 889AL and two 1036AL, for 168304
131775	25558	Feed Rocking Frame Hinge Pin for 168304
131776	25558	Gathering Feed Actuating Lever for 131867
131777	25558	Gathering Feed Actuating Lever Bracket with 175C, 910AL and two 1735C, for 131867
131778	25558	Gathering Feed Actuating Lever Spring for 247-4 Machine
131779	25558	Gathering Feed Regulator with two 1057AL, for 168304
131780	25558	Gathering Feed Regulator Connection for 168304
131781	25558	Gathering Feed Regulator Connection Hinge Screw (back) Nut Washer for 168304
131798	25562	Oil Pipe (front of arm, long) Coupling (right)
131799	25556	Presser Bar Lifting Bracket with 453AL
131809		Tension (under thread) Screw Stud 140113C with 51570C (2)
131811	25556	Thread Carrying Finger Holder (segment) with 50624E, for 131868
131812	25556	Thread Carrying Finger Holder Bracket for 131868
131813	25556	Thread Carrying Finger Holder Slide Block for 131868
131814	25556	Thread Carrying Finger Holder Slide Block Crank with 171AL, for 131868
131815	25556	Thread Carrying Finger Oscillating Arm (forked) and Presser Bar Bushing (lower)
131816	25556	Thread Carrying Finger Oscillating Arm Slide Block for 147518
131817	25556	Thread Carrying Finger Oscillating Arm Slide Block Holder with 462AL, for 147518

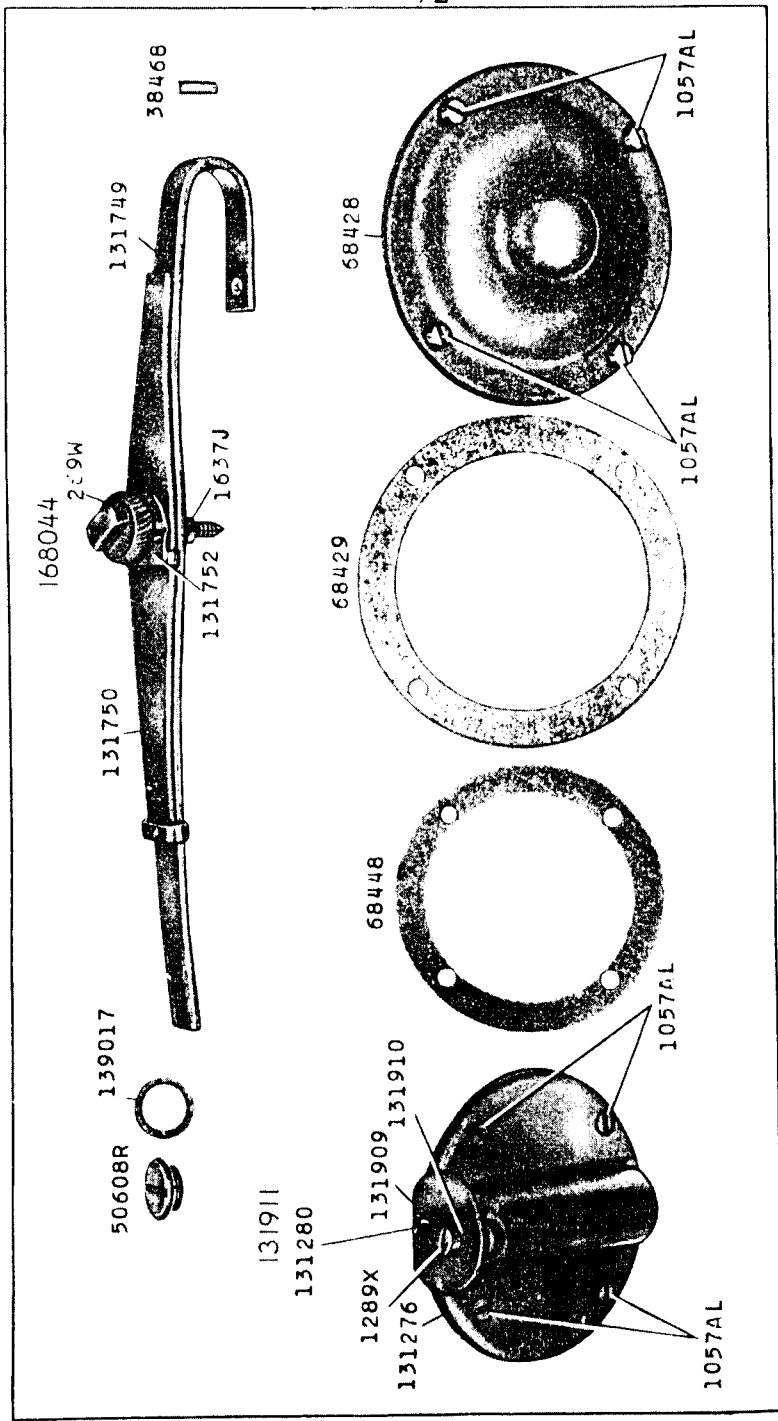
No.	Plate	Name
131818	25556	Thread Carrying Finger Oscillating Arm Slide Block Holder Driving Stud
131819	25552	Thread Carrying Finger Oscillating Arm Slide Block Holder Driving Stud Bushing for 168111
131820	25556	Thread Carrying Finger Oscillating Arm Slide Block Holder Shaft
131821	25556	Thread Laying Finger
131864	25553	Arm Oil Cup for 131866
131865	25553	Arm Oil Cup Oil Gauge for 131866
131866	25553	Arm Oil Cup with Oil Gauge complete, for filling oil reservoir, Nos. 131864 and 131865
131867	25558	Gathering Feed Actuating Lever Bracket 131777 with 359C, 1226C, 1520J, 9525, 50183F, 131776 and two 1654C, for 247-4 Machine
131868		Thread Carrying Finger Holder Bracket 131812 with 212J, 226C, 131811, 131813 and 131814
131909	25551	Arm Side Cover Cap for 131911
131910	25551	Arm Side Cover Cap Spring for 131911
131911	25551	Arm Side Cover (oil vent) complete, Nos. 1289X, 131276, 131280, 131909 and 131910
131912	25556	Presser Bar (hollow)
131914	25553	Machine Driving Pulley, "V" belt groove (outside diam. of belt groove 2.9 in.) with two 51283AL, for 3/8 in. "V" belt
131926	25553	Crank Connecting Rod with two each 1057AL, 51715AL, 131927 and 131928, for 131930
		NOTE: When No. 131926 is required for repairs, Connecting Rod and Arm Rock Shaft Crank (back) fitted together will be furnished. All Agency orders for the part must state the Machine No. for which it is required, in order to obtain correct Needle Bar stroke.
131927	25553	Crank Connecting Rod Cap (lower) Screw Stud for 131926 (2)
131928	25553	Crank Connecting Rod Cap (lower) Screw Stud Nut Lock Washer for 131926 (2)
131930		Crank Connecting Rod 131926 with 131072, for 168003 and 168147
131959	25553	Arm Rotary Shaft Bushing (front)
131961	24409	Machine Base Oil Drain Jar (glass) 2 1/8 in. diam. at mouth for 131268
131962	24409	Machine Base Oil Drain Jar Cap (diam. of recess for jar 2 7/16 in.) for 131268
132583	25560	Knife (movable) Lever Connecting Link Hinge Pin with 132584, for 168187
132583	25561	Looper (avoiding motion) Eccentric Connection Hinge Pin with 132584, for 168208
132584	25560	Knife (movable) Lever Connecting Link Hinge Pin Oil Pad (wick) for 132583
132584	25561	Looper (avoiding motion) Eccentric Connection Hinge Pin Oil Wick for 132583
134260	25553	Feed Connecting Rod Oil Pad Retainer for 131500
135320		Bench Stand with 27998, two 126849 and ten wood screws 2 in. No. 10 (for semi-submerged mounting)
138306		Feed Eccentric Lubricating Pad (wood) for 168011
139017	25551	Arm Hole Plug Screw Washer
140113C	25563	Tension (under thread) Screw Stud for 131809 (2)
140159AL	25561	Looper (driving) Eccentric Connection Cap (upper) Screw for 168025 (2)
140180J	25564	Thread (under) Eyelet (front) Screw for 168104
140180J	25564	Thread (under) Take-up Stripper Thread Guide Screw for 168104
140180J	25564	Thread (under) Take-up Stripper Thread Separator Screw for 168104

No.	Plate	Name
140219C	25573	Knee Lifter Rock Shaft Stop Dog Set Screw for 2770
140275J	25568	Feed Dog Screw, for use with Movable Needle Guard, for 247-5 Machine
140311C	25558	Gathering Feed Regulator Connection Hinge Screw (back) for 168304
140407C	25564	Thread (under) Take-up Stripper Plate Bracket Screw
140645F	25556	Thread Carrying Finger Oscillating Arm Slide Block Cap Screw for 147518
147518		Thread Carrying Finger Oscillating Arm Slide Block 131816 with 131817 and 140645F
147568	25558	Feed (front) Bar for 147570
147569	25558	Feed (front) Bar Feed Dog Seat (adjustable) for 147570
147570		Feed (front) Bar complete, for 147571, Nos. 51408AL, 147568 and 147569
147571		Feed (front) Bar 147570 with 131769 and 131770, for 168304
150203	25574	Thread Unwinder Spool Rest Cushion (felt) for 151038 (6)
150451	25573	Treadle Stand for 150452
150452	25573	Treadle complete, Nos. 4879, 4882, 126249, 126250, 150451 and two wood screws 1 in. No. 16 F.H.
151032	25574	Thread Unwinder Base with 138R and three wood screws 1 in. No. 12 F.H., for 151038
151034	25574	Thread Unwinder Spool Rest Bracket Rod, for 151038
151035	25574	Thread Unwinder Thread Guide for 151038 (6)
151038	25574	Thread Unwinder complete (for six spools) Nos. 1395R, 151032, 151034, 151039, three 225257, six each 150203, 151035 and twelve each 1521R and 9525R
151039	25574	Thread Unwinder Spool Rest Bracket for 151038
168002	25553	Arm Rotary Shaft with 168215, for 168003
168003		Arm Rotary Shaft 168002 with 131930 and 168010, for 247-4 Machine
168010		Feed Connecting Rod 131500 with 168011, for 168003 and 168147
168011		Feed Eccentric (adjustable) complete, for 168010, Nos. 1103C, 138306, two each 217J, 7071 and three 51061AL
168012	25553	Feed Lifting Eccentric with three 624AL, for 247-4 Machine
168012	25553	Looper (avoiding motion) Eccentric with three 624AL, for 247-4 Machine
168016	25561	Looper Carrier for 168208
168017	25561	Looper Carrier Shaft with 1231E, for 168238
168018	25561	Looper Carrier Shaft Crank with two 1057AL, for 168205
168019	25561	Looper (avoiding motion) Eccentric Connection with 223C, for 168208
168020	25561	Looper (avoiding motion) Eccentric Connection Holder for 168208
168021	25561	Looper (avoiding motion) Eccentric Connection Holder Screw Bushing for 168208
168022	25561	Looper (avoiding motion) Eccentric Connection Holder Screw Bushing Bearing
168023	25561	Looper (avoiding motion) Eccentric Connection Holder Thrust Bearing for 168208
168024	25561	Looper (driving) Eccentric with three 1036AL, for 168205
168025	25561	Looper (driving) Eccentric Connection with two each 175C and 140159AL, for 168205
168026	25561	Looper (driving) Eccentric Connection Position Plate for 168205
168030	25556	Needle Bar Connecting Link for 168031
168031		Needle Bar Connecting Link 168030 with 68489 and 131492
168035	25565	Needle Guard (movable) Holder for 247-4 Machine
168036	25562	Oil Pipe (front of arm, long) with two 1733, for 168037
168037		Oil Pipe (front of arm, long) complete, Nos. 168036, 168038 and 168039

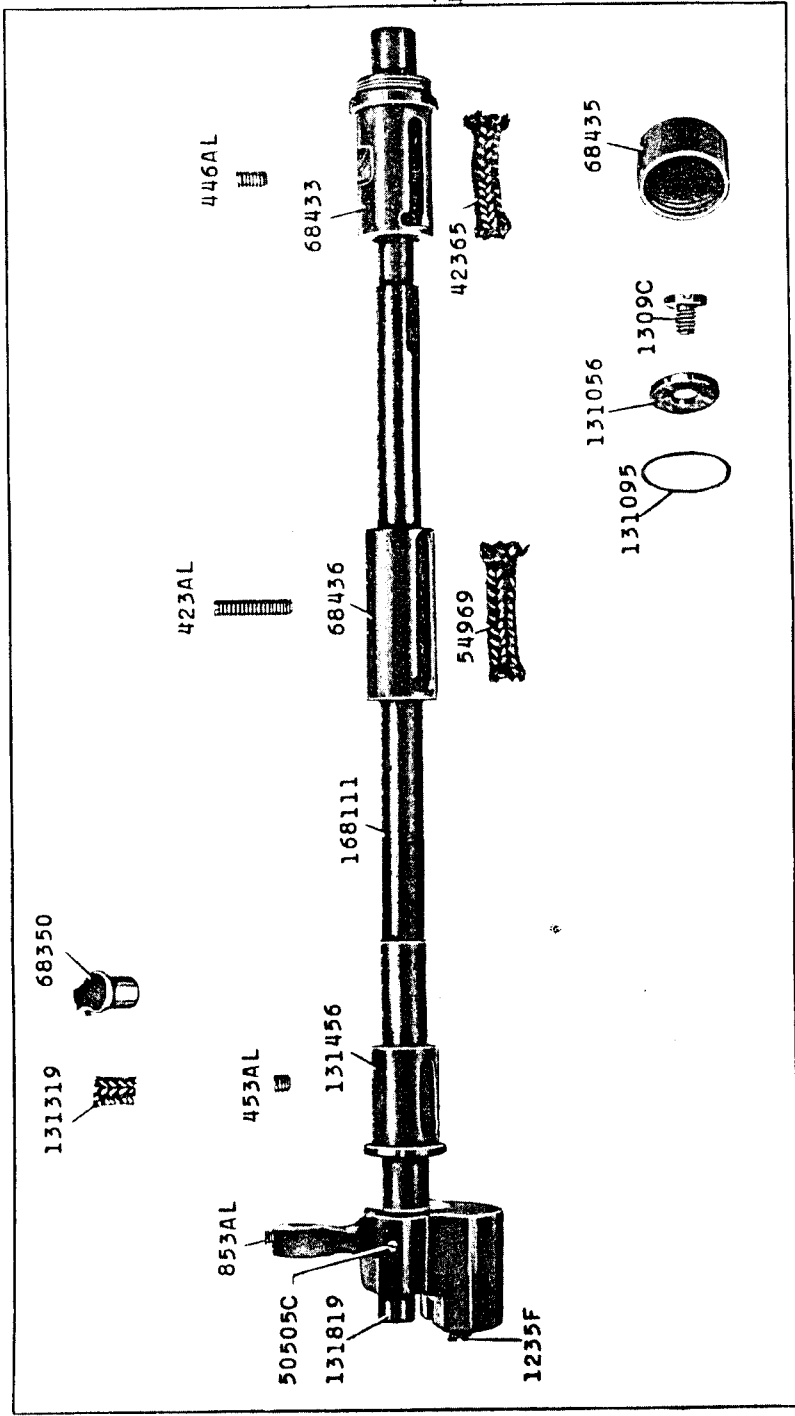
No.	Plate	Name
168038	25562	Oil Pipe (front of arm, long) Oil Lead with 1733 and 131003, for oiling Arm Rotary Shaft Front Bearing, for 168037
168039	25562	Oil Pipe (front of arm, long) Oil Lead with 68497 and 131003, for oiling Feed Connecting Rod for 168037
168040	25562	Oil Pipe (front of arm, short) with 131089 and two 1733
168042	25555	Oil Splash Guard (side of arm)
168043	25563	Presser Bar Lifting Lever Extension
168044	25551	Presser Bar Spring complete, Nos. 269W, 1637J, 131749, 131750 and 131752
168045	25563	Thread (upper) Take-up (auxiliary)
168046	25556	Tension (thread covering) Controller Eyelet
168047	25556	Tension (thread covering) Thread Guide
168048	25556	Thread Laying Finger Holder with 1057AL and two 50370AL
168051	25553	Thread (under) Take-up with three 50150AL
168052	25564	Thread (under) Take-up Stripper for 168104
168053	25564	Thread (under) Take-up Stripper Bracket for 168104
168061	25563	Thread (upper) Eyelet
168063	25573	Belt Guard with two wood screws 3/4 in. No. 12 R.H.
168066		Arm, upper and lower (solid) with 948J, 68483 and four 131022
168067	25555	Chip Chute
168068	25555	Chip Chute Arm
168071	25555	Cloth Plate Slide for 168072
168072	25555	Cloth Plate Slide complete, for 168301, Nos. 38419, 168071 and two 665J
168074	25558	Feed (back) Bar with 620AL, 1147AL and 50429AL, for 168304
168076	25559	Feed Bar Slide Block (two pieces) for 247-5 Machine
168076	25558	Feed (back) Bar Slide Block (two pieces) for 247-4 Machine
168077	25566	Feed (back) Dog, 10 teeth (16 teeth to the inch) for 1/8 in.—3/16 in., 1/8 in.—1/4 in., 3/16 in.—1/8 in. and 3/16 in.—3/16 in. gauges, for 168108, for 247-4 Machine
168078	25566	Feed (front) Dog, 12 teeth (16 teeth to the inch) for 1/8 in.—3/16 in., 1/8 in.—1/4 in., 3/16 in.—1/8 in. and 3/16 in.—3/16 in. gauges, for 168108, for 247-4 Machine
168080	25560	Knife (movable)
168081	25560	Knife (movable) Holder with 1000C
168082	25560	Knife (movable) Lever with 1178C and 20437, for 168187
168083	25560	Knife (movable) Lever Bearing Arm
168084	25560	Knife (movable) Lever Bearing Arm Bracket
168085	25560	Knife (movable) Lever Connecting Link
168086	25560	Knife (movable) Lever Connection with 620AL, for 168187
168087	25560	Knife (movable) Lever Hinge Screw Stud
168088	25560	Knife (stationary)
168089	25560	Knife (stationary) Clamping Plate
168090	25560	Knife (stationary) Holder
168094	25565	Needle Bar complete, Nos. 131497 and 168095, for 1/8 in.—1/16 in., 1/8 in.—1/8 in., 1/8 in.—3/16 in., 1/8 in.—1/4 in., 3/16 in.—1/16 in., 3/16 in.—1/8 in., 3/16 in.—3/16 in., 1/4 in.—1/16 in. and 1/4 in.—1/8 in. gauges
168095	25565	Needle Clamp with 906AL and two 904AL, for 1/8 in.—1/16 in., 1/8 in.—1/8 in., 1/8 in.—3/16 in., 1/8 in.—1/4 in., 3/16 in.—1/16 in., 3/16 in.—1/8 in., 3/16 in.—3/16 in., 1/4 in.—1/16 in. and 1/4 in.—1/8 in. gauges, for 168094
168096	25566	Needle Guard (movable) for 3/16 in.—3/16 in. and 1/4 in.—1/8 in. gauges, for 247-4 Machine
168097	25555	Oil Splash Guard
168099	25565	Presser Foot Shank for 168250
168101	25564	Thread (under) Eyelet (front) for 168104

No.	Plate	Name
168102	25564	Thread (under) Take-up Stripper Plate for 168104
168103	25564	Thread (under) Take-up Stripper Plate Bracket for 168104
168104	25564	Thread (under) Take-up Stripper Plate Bracket 168103 with 17022, 51323J, 168052, 168053, 168101, 168102, 168105, 168106 and three each 176J, 7071 and 140180J
168105	25564	Thread (under) Take-up Stripper Thread Guide for 168104
168106	25564	Thread (under) Take-up Stripper Thread Separator for 168104
168107	25566	Throat Plate for 168108
168108	25566	Throat Plate 168107 with 168109 and two 706W, for 1/8 in.—3/16 in., 1/8 in.—1/4 in., 3/16 in.—1/8 in. and 3/16 in.—3/16 in. gauges, for 168077, 168078, 168150 and 168162
168109	25565	Throat Plate Thread Retainer for 168108, 168135 and 168234
168111	25552	Arm Rock Shaft and Front Crank with 853AL, 1235F, 50505C and 131819
168130	25556	Thread (upper) Take-up with 223J
168132	25567	Feed (back) Dog, 12 teeth (16 teeth to the inch) for 1/4 in.—1/16 in. and 1/4 in.—1/8 in. gauges, for 168135, for 247-4 Machine
168133	25567	Feed (front) Dog, 12 teeth (16 teeth to the inch) for 1/4 in.—1/16 in., 1/4 in.—1/8 in. gauges, for 168135, for 247-4 Machine
168134	25567	Throat Plate, for 168135
168135	25567	Throat Plate 168134 with 168109 and two 706W, for 1/4 in.—1/16 in. and 1/4 in.—1/8 in. gauges, for 168132, 168133 and 168253
168144	25563	Tension (upper thread) Thread Separator
168146	25554	Arm Rotary Shaft with 168215, for 168147
168147		Arm Rotary Shaft 168146 with 131930 and 168010, for 247-5 Machine
168148	25559	Feed Bar with 620AL, for 168149
168149		Feed Bar and Feed Dog Leveling Device complete, for 168152, Nos. 190J, 22436, 131730 and 168148
168150	25569	Feed Dog, 16 teeth (10 teeth to the inch) for 1/8 in.—3/16 in., 1/8 in.—1/4 in., 3/16 in.—1/8 in. and 3/16 in.—3/16 in. gauges, for 168108, for 247-5 Machine
168151	25554	Feed Lifting Eccentric with three 624AL, for 247-5 Machine
168151	25554	Looper (avoiding motion) Eccentric with three 624AL, for 247-5 Machine
168152		Feed Rocking Frame 131240 with 59343, 131197, 132583 and 168149, for 247-5 Machine
168153	25569	Needle Guard (movable) for 1/8 in.—3/16 in., 1/8 in.—1/4 in., 3/16 in.—1/8 in., 3/16 in.—3/16 in., 1/4 in.—1/16 in. and 1/4 in.—1/8 in. gauges, for 247-5 Machine
168162	25569	Feed Dog, 25 teeth (16 teeth to the inch) for 1/8 in.—3/16 in., 1/8 in.—1/4 in., 3/16 in.—1/8 in. and 3/16 in.—3/16 in. gauges, for 168108, for 247-5 Machine
168187		Knife (movable) Lever 168082 with 1722J, 14017, 132583 and 168086
168195	25561	Looper (back) for 168197
168196	25561	Looper (front) for 168197
168197	25561	Loopers complete, Nos. 168195, 168196 and two 208AL
168198	25572	Chip Chute (under table) with four wood screws 3/8 in. No. 6 R.H.B., for semi-submerged mounting
168199	25568	Needle Guard (movable) for 3/16 in.—1/16 in. gauge, for 247-5 Machine
168200	25568	Needle Guard (movable) for 1/8 in.—1/16 in. and 1/8 in.—1/8 in. gauges, for 247-5 Machine
168205		Looper (driving) Eccentric Connection 168025 with 50138E, 168018, 168024 and 168026, for 168238

25551-1/2

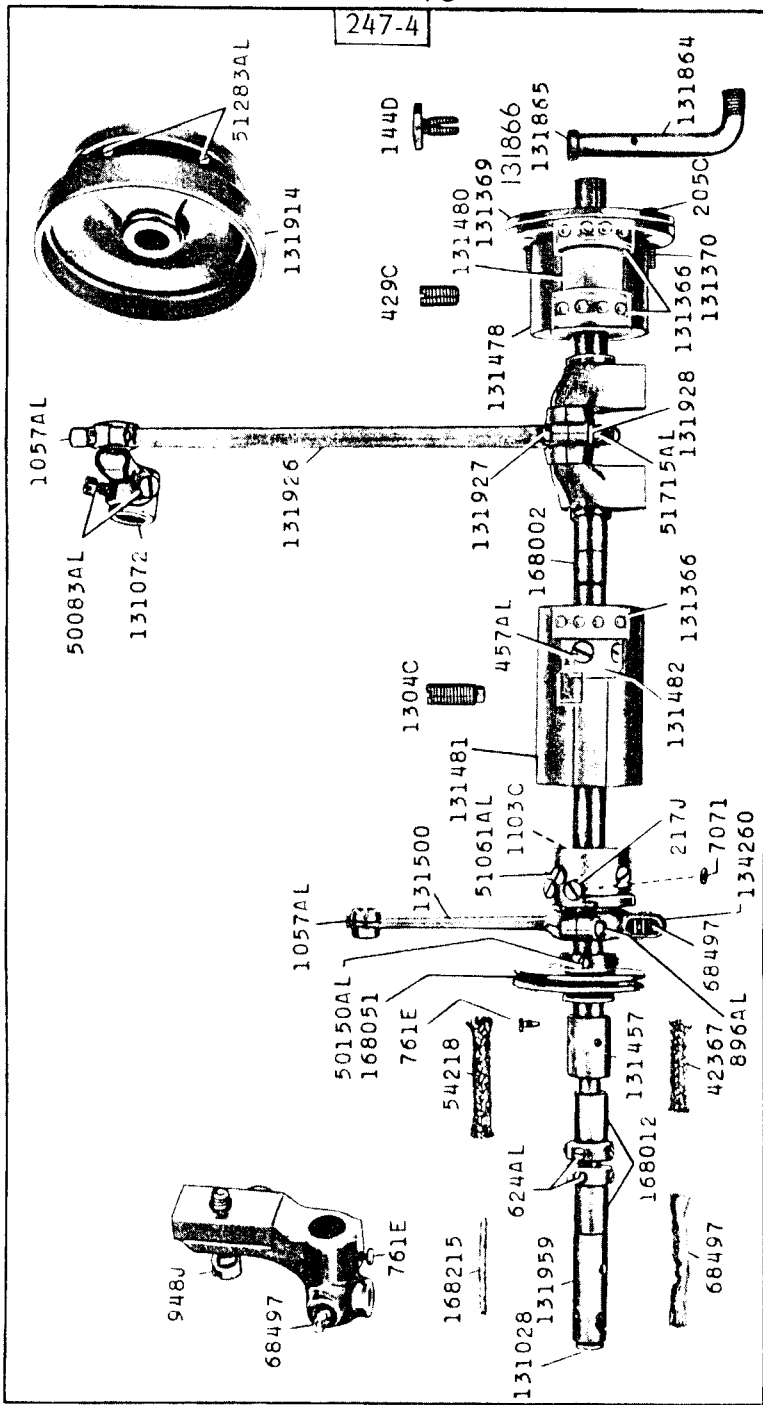


25552-1/2



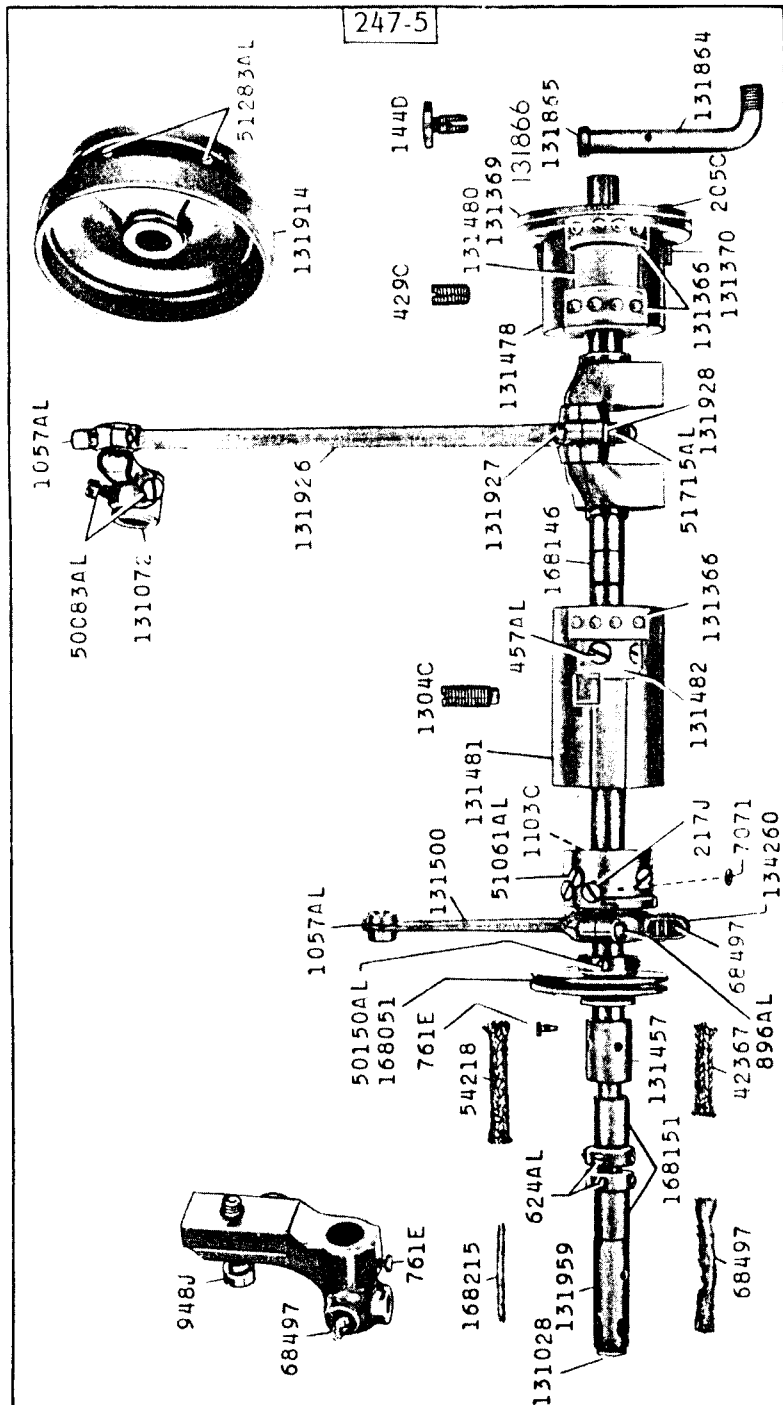
25553-1/3

247-4

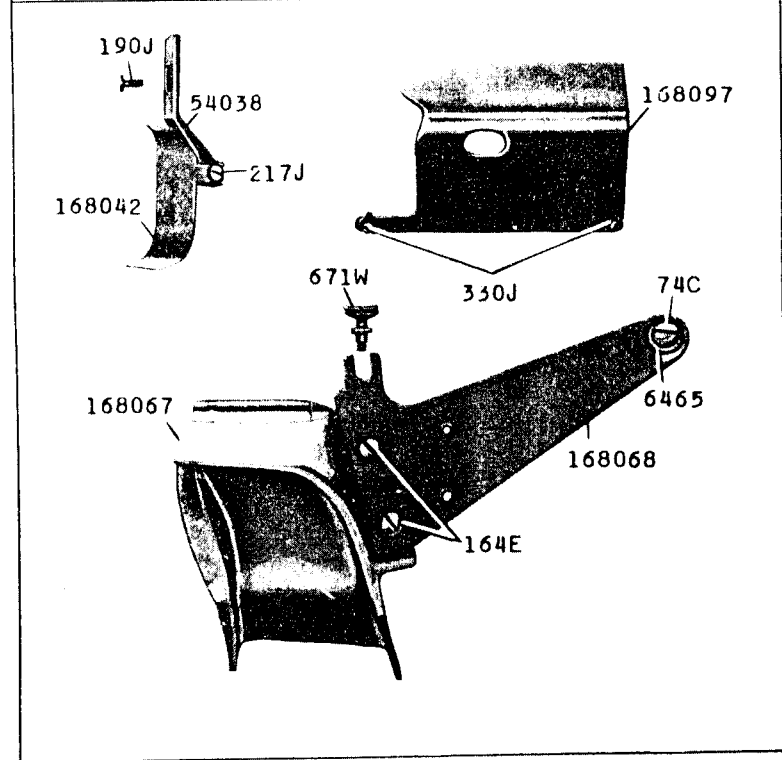
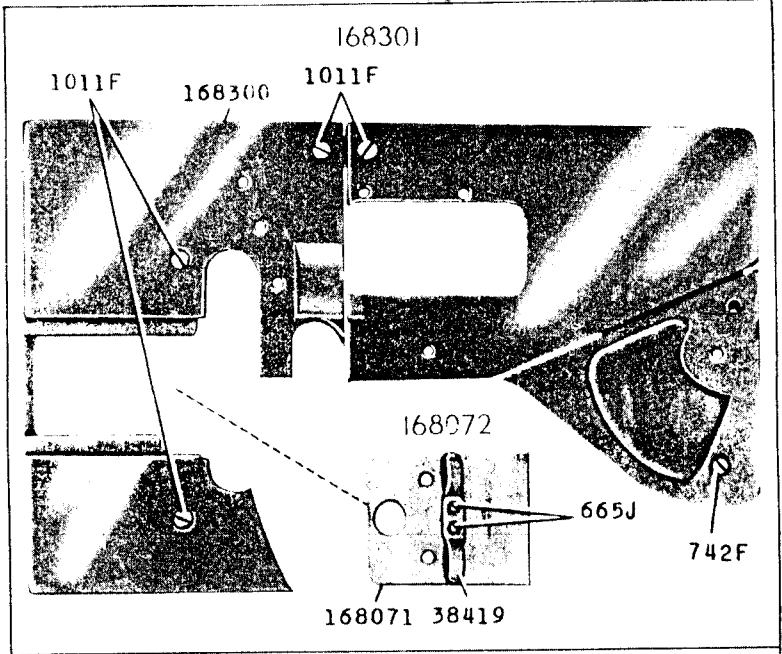


25554-1/3

247-5

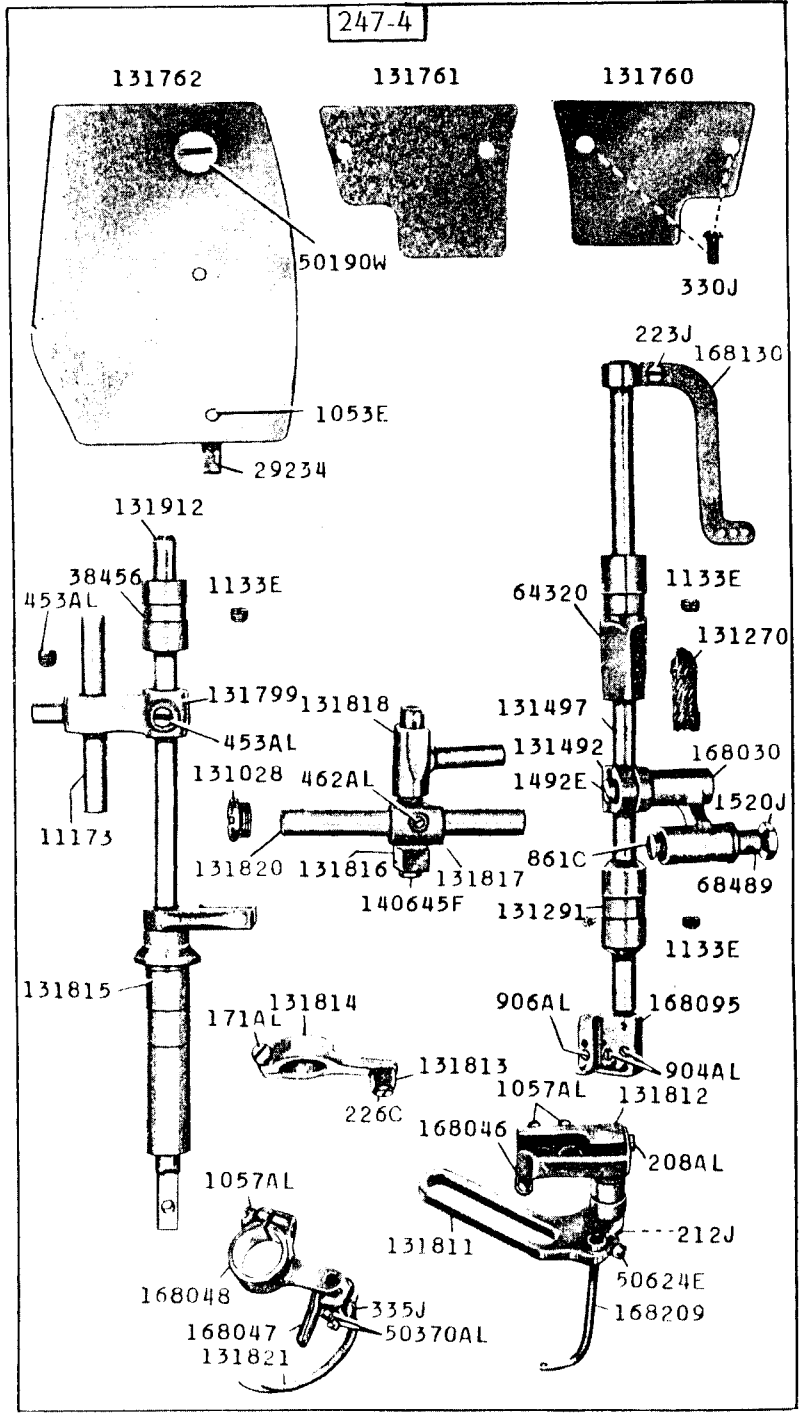


25555-1/3



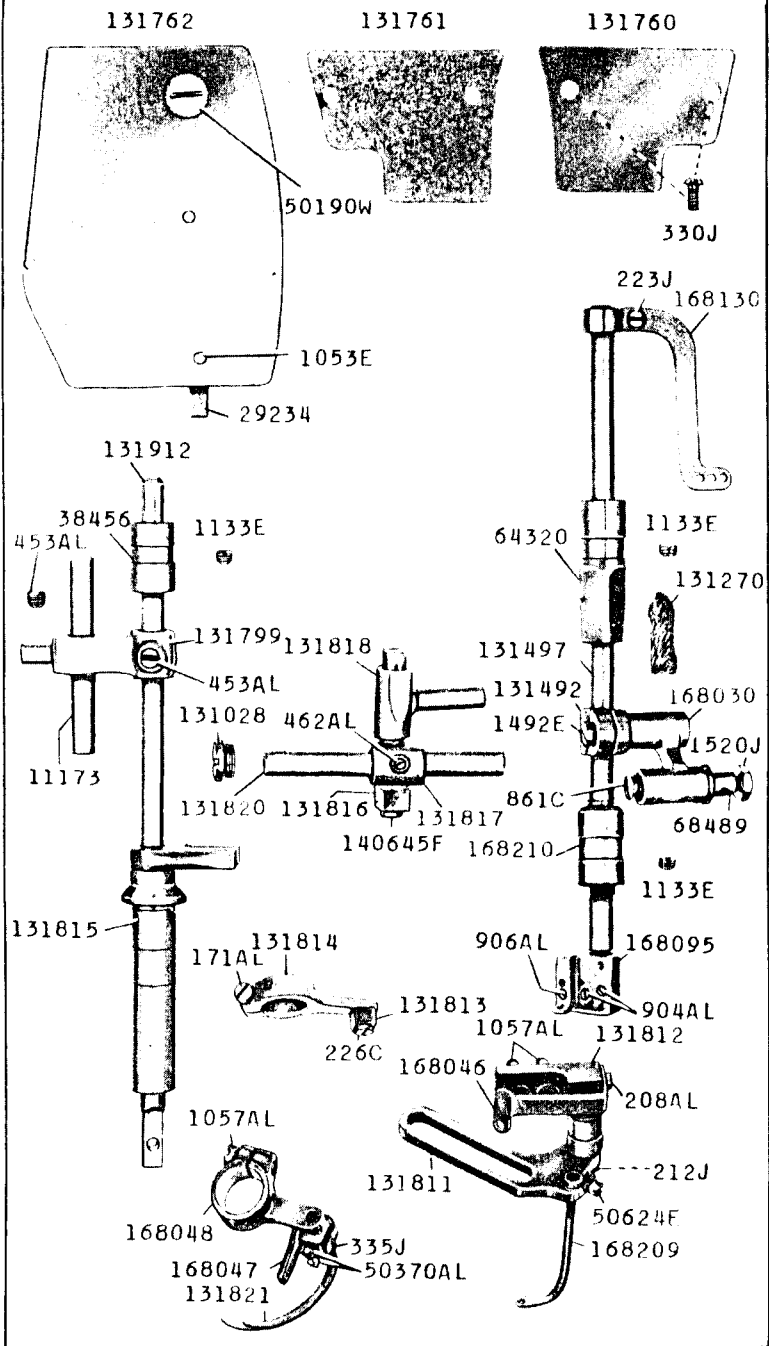
25556-1/2

247-4



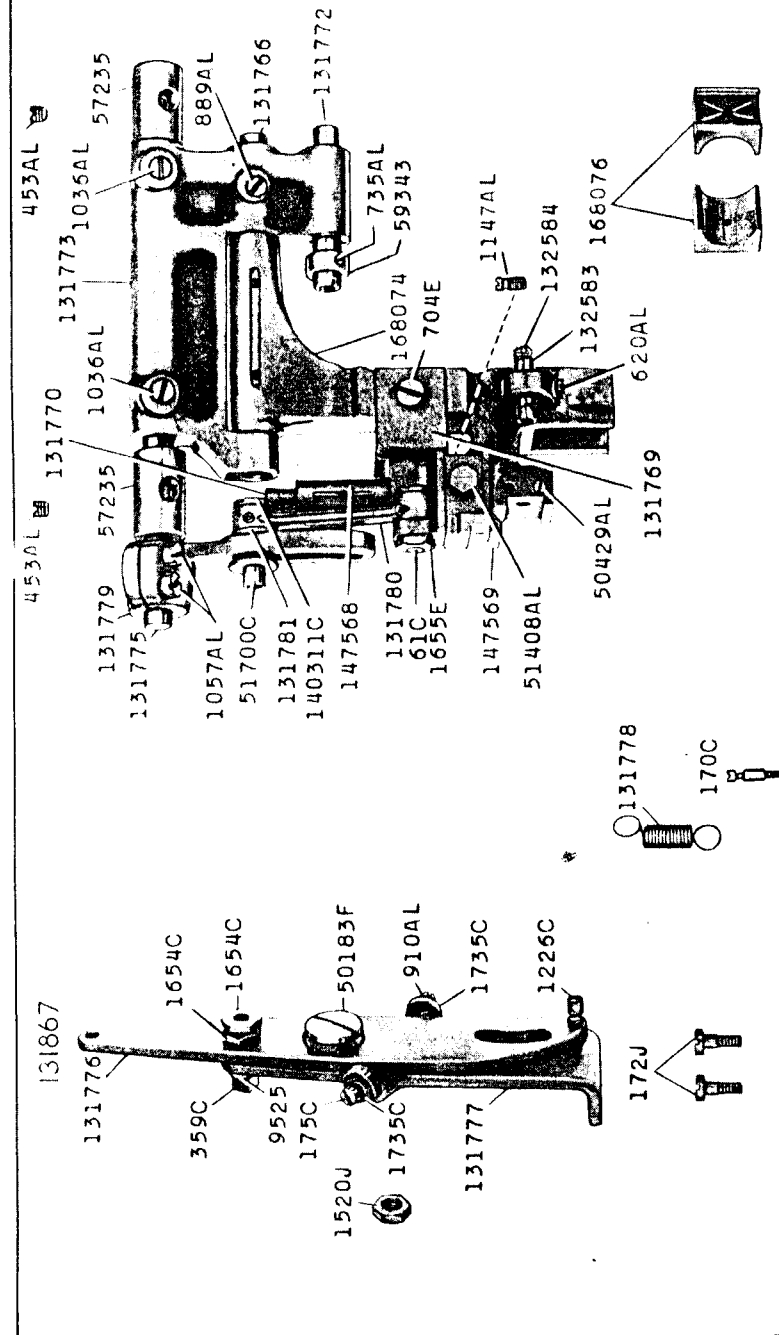
25557-1/2

247-5



25558-1/2

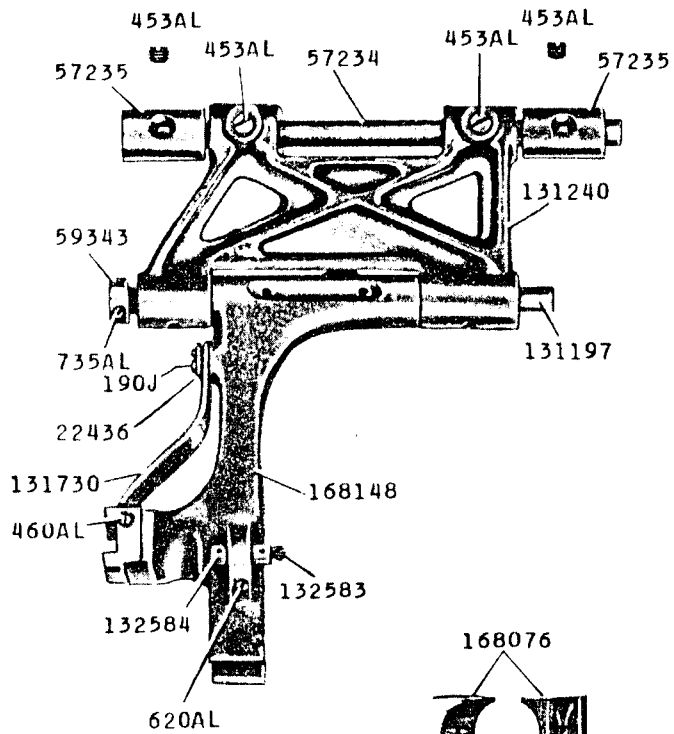
247-4



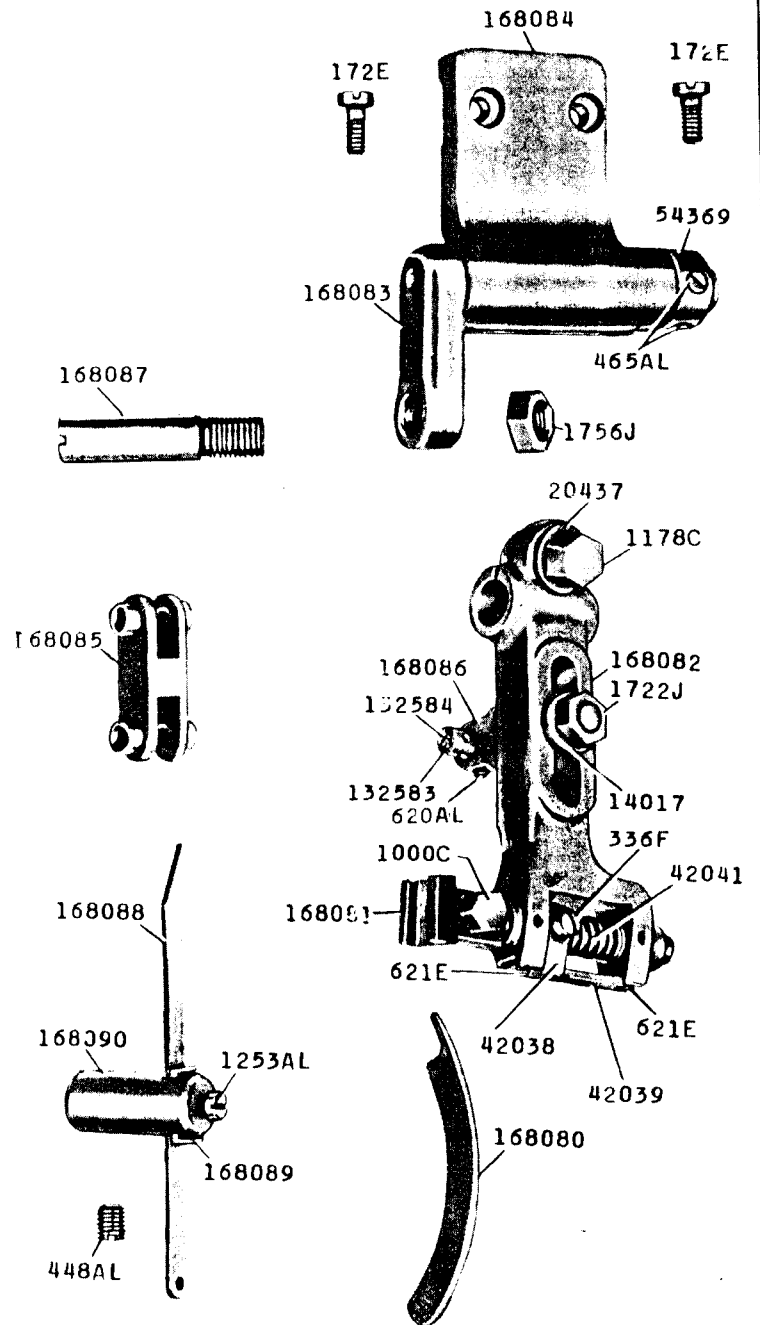


25559-1/2

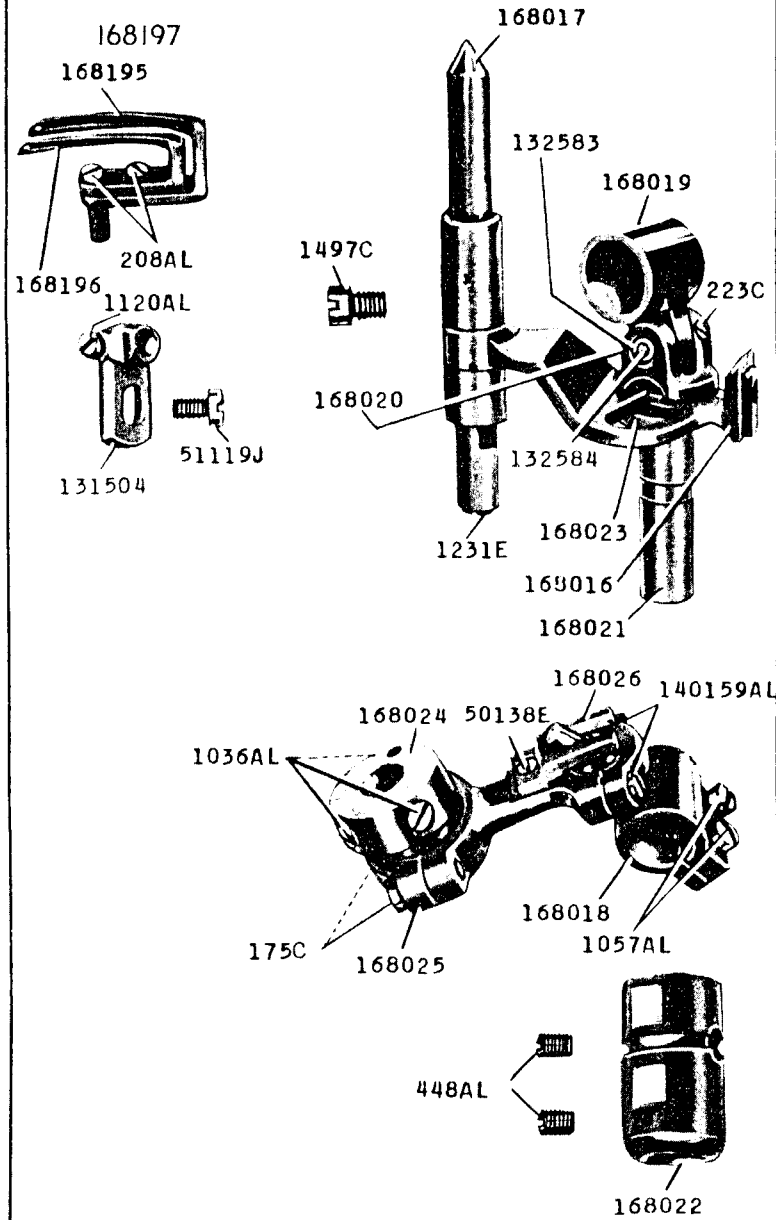
247-5



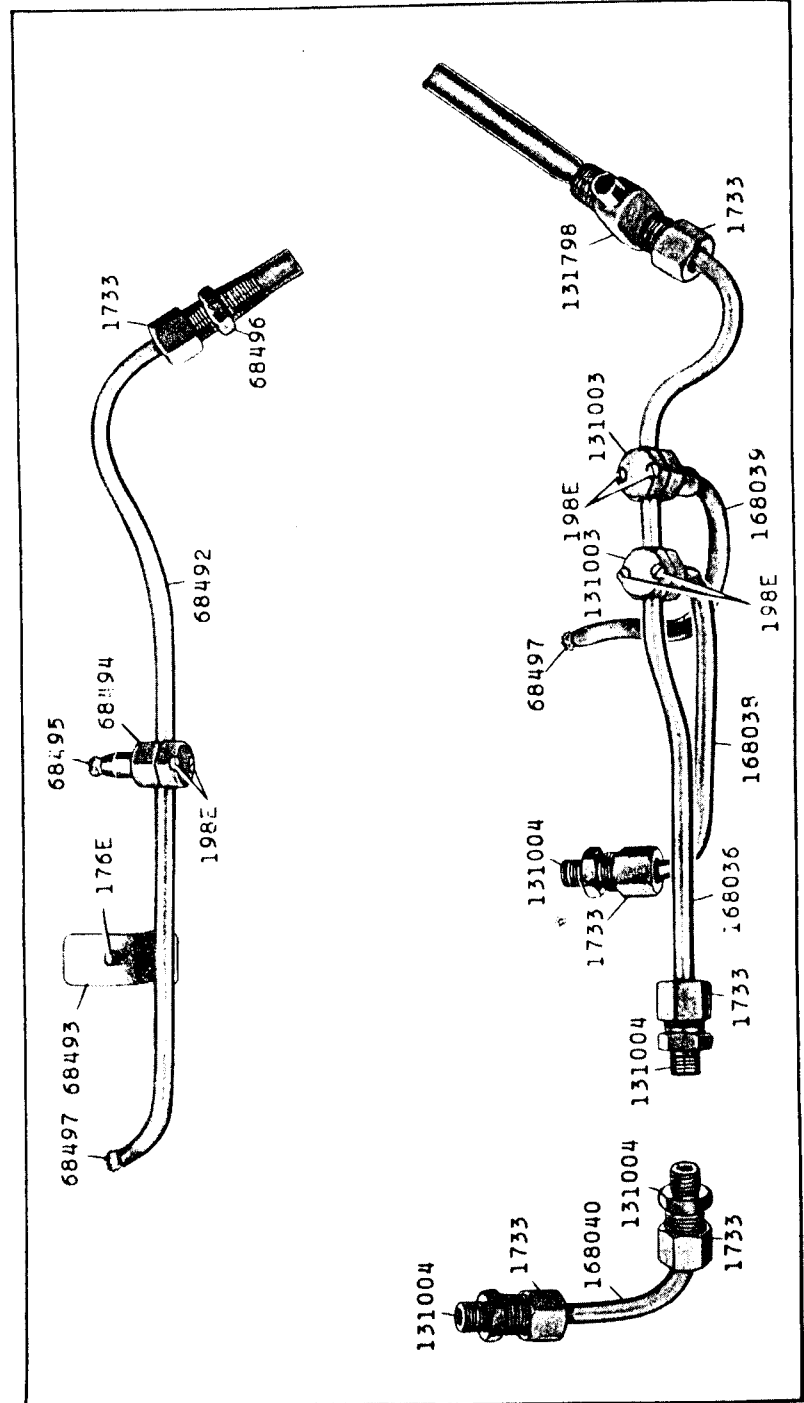
25560-2/3



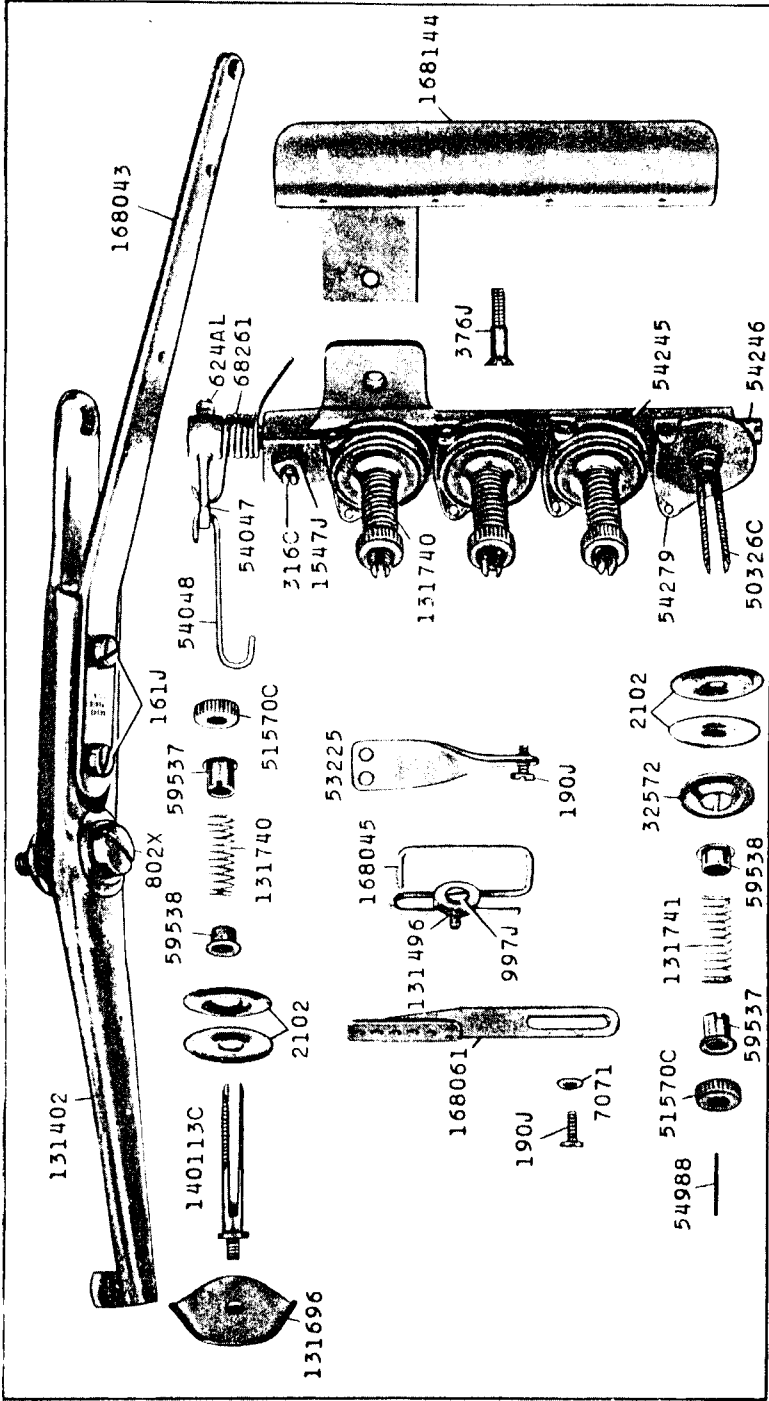
25561-2/3



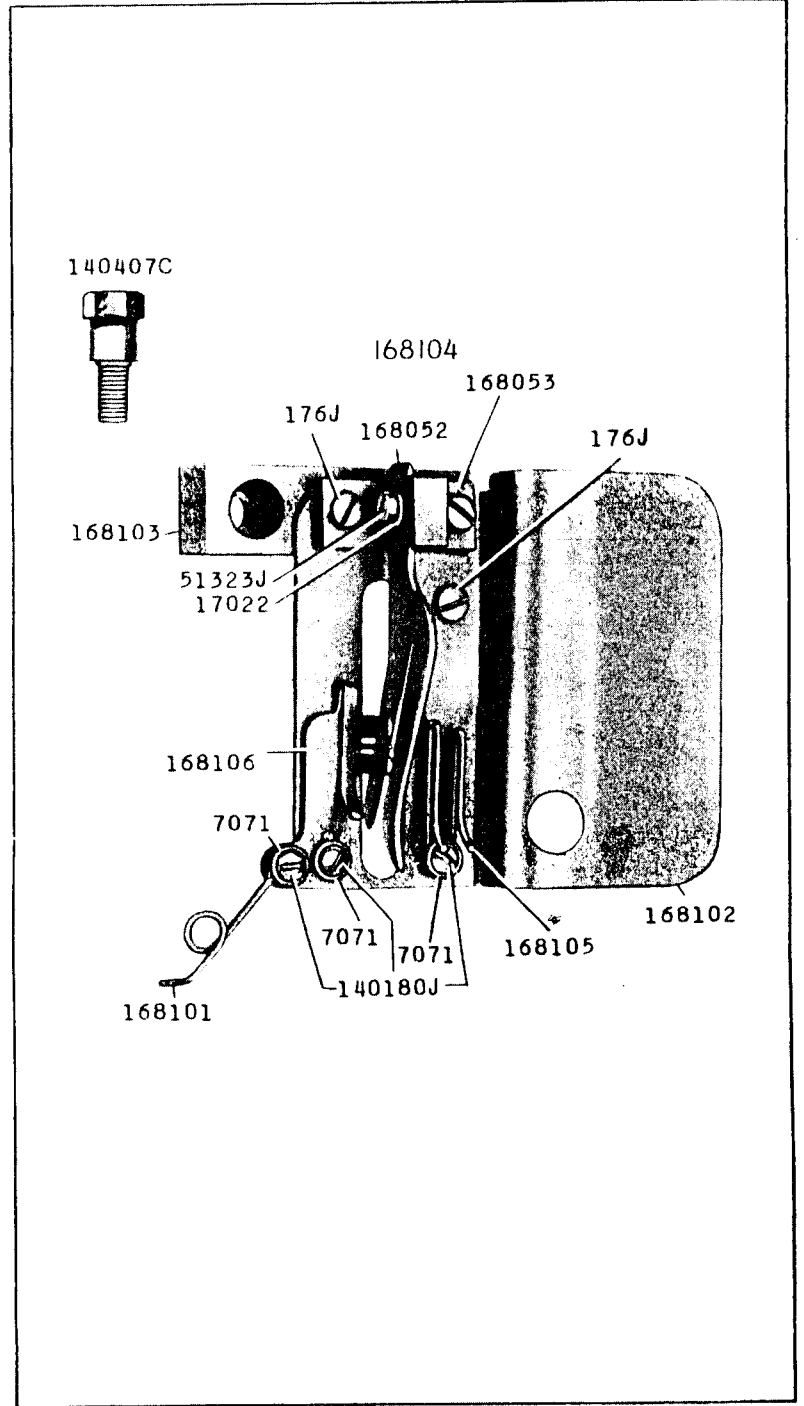
25562-1/2



25563-1/2

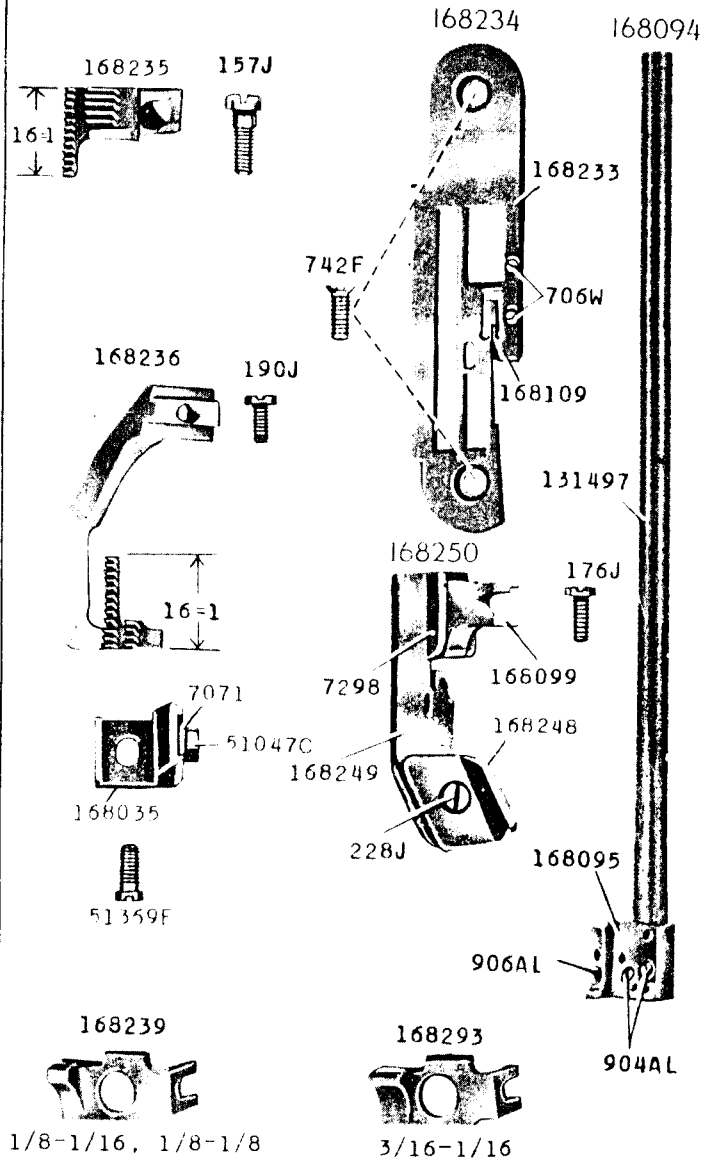


25564-2/3



25565-2/3

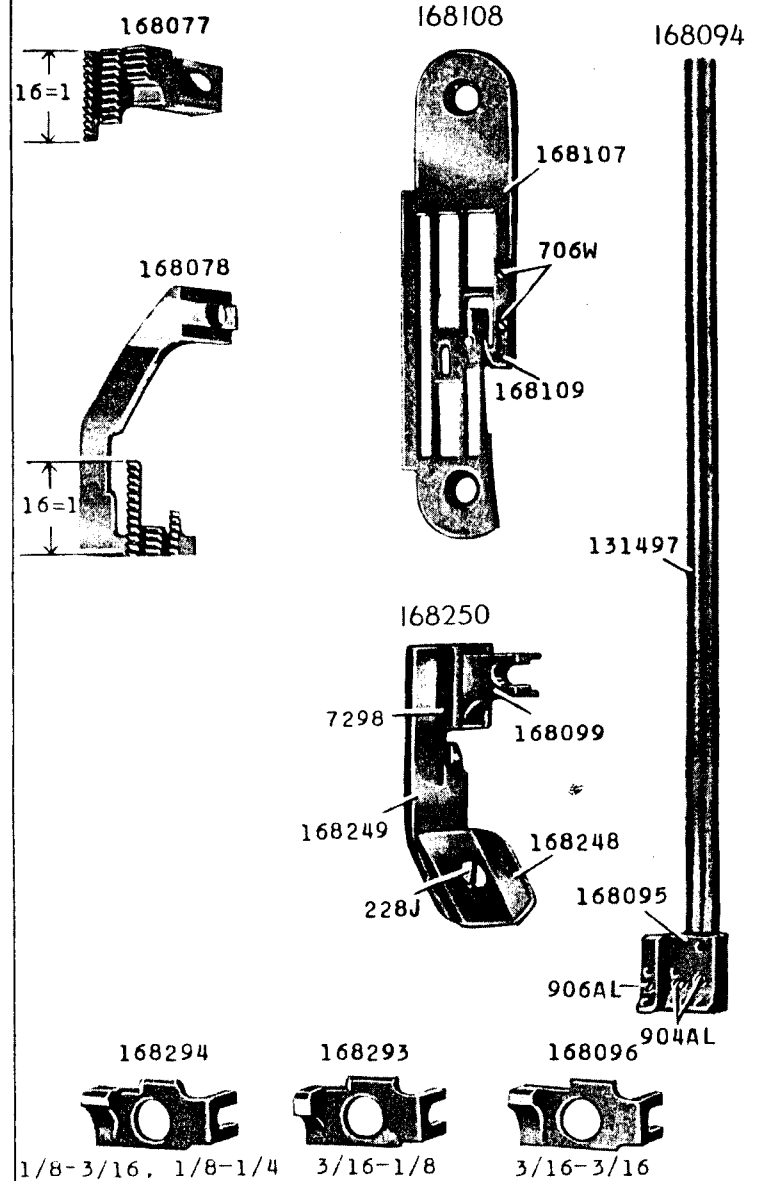
247-4



1/8-1/16, 1/8-1/8, 3/16-1/16

25566-2/3

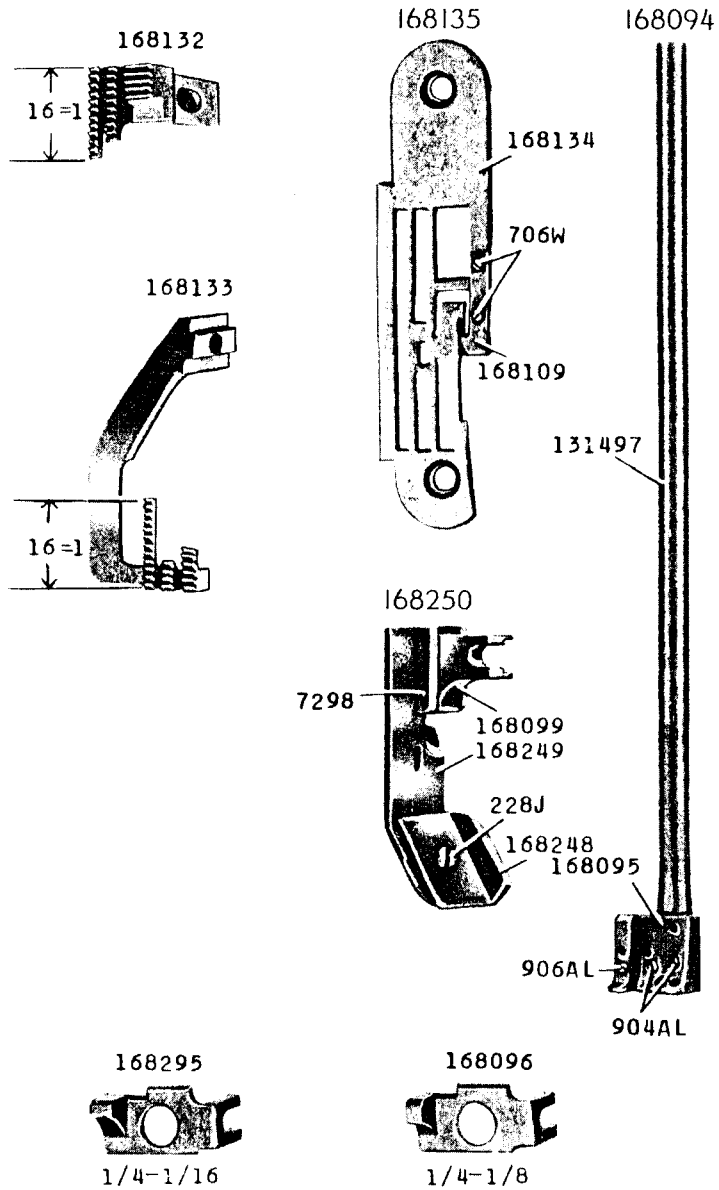
247-4



1/8-3/16, 1/8-1/4, 3/16-1/8, 3/16-3/16

25567-2/3

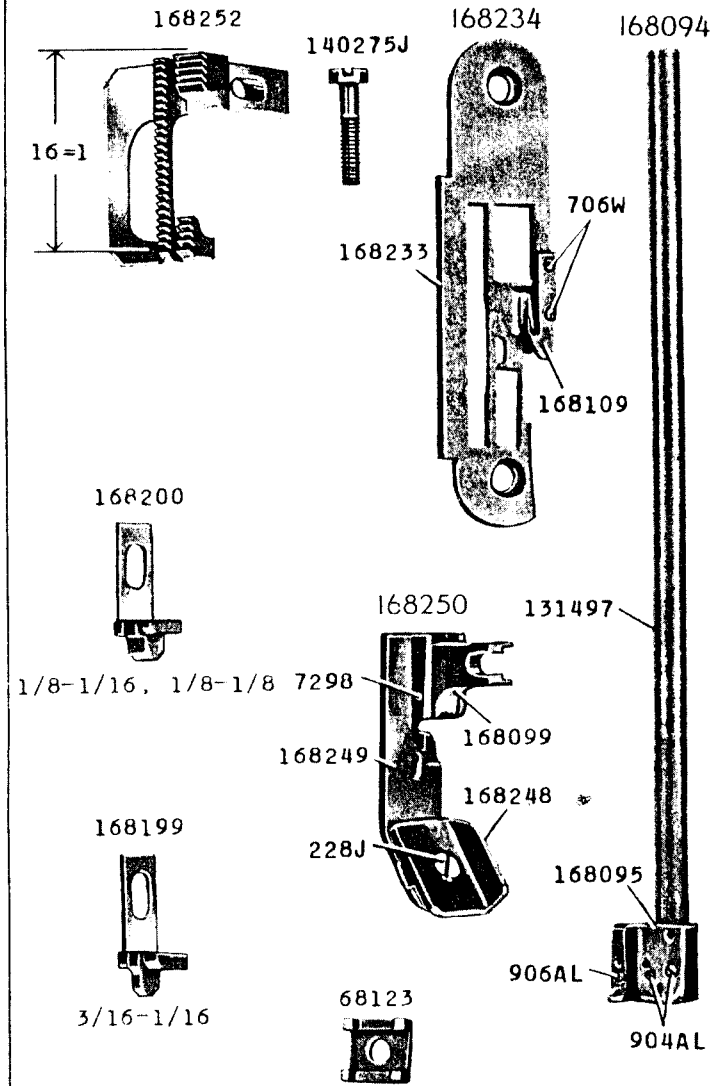
247-4



1/4-1/16, 1/4-1/8

25568-2/3

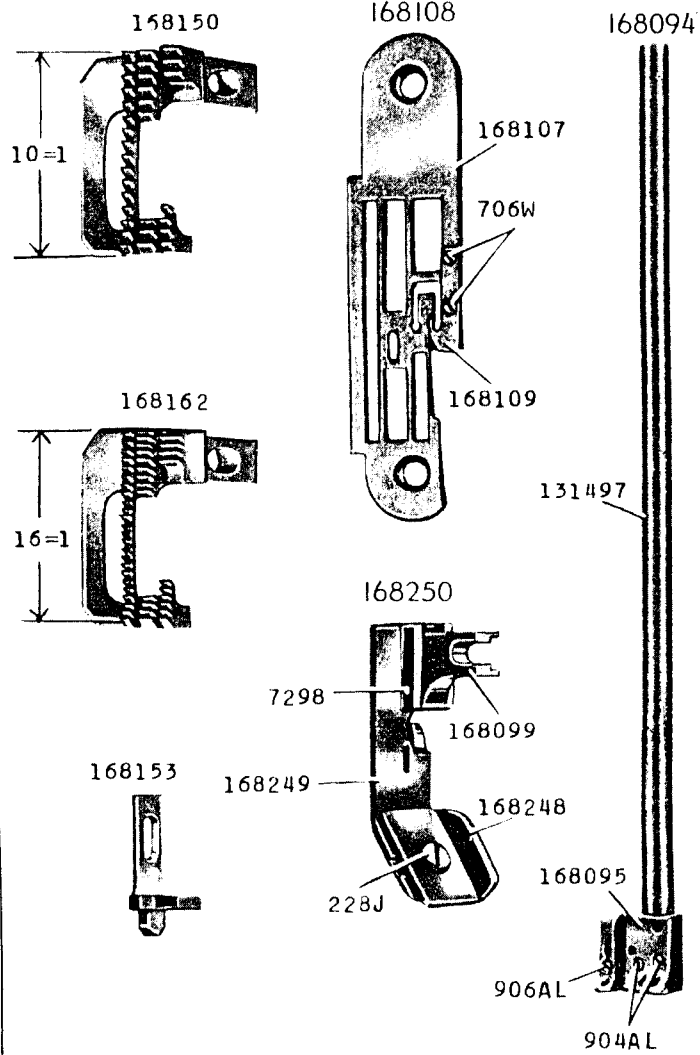
247-5



1/8-1/16, 1/8-1/8, 3/16-1/16

25569-2/3

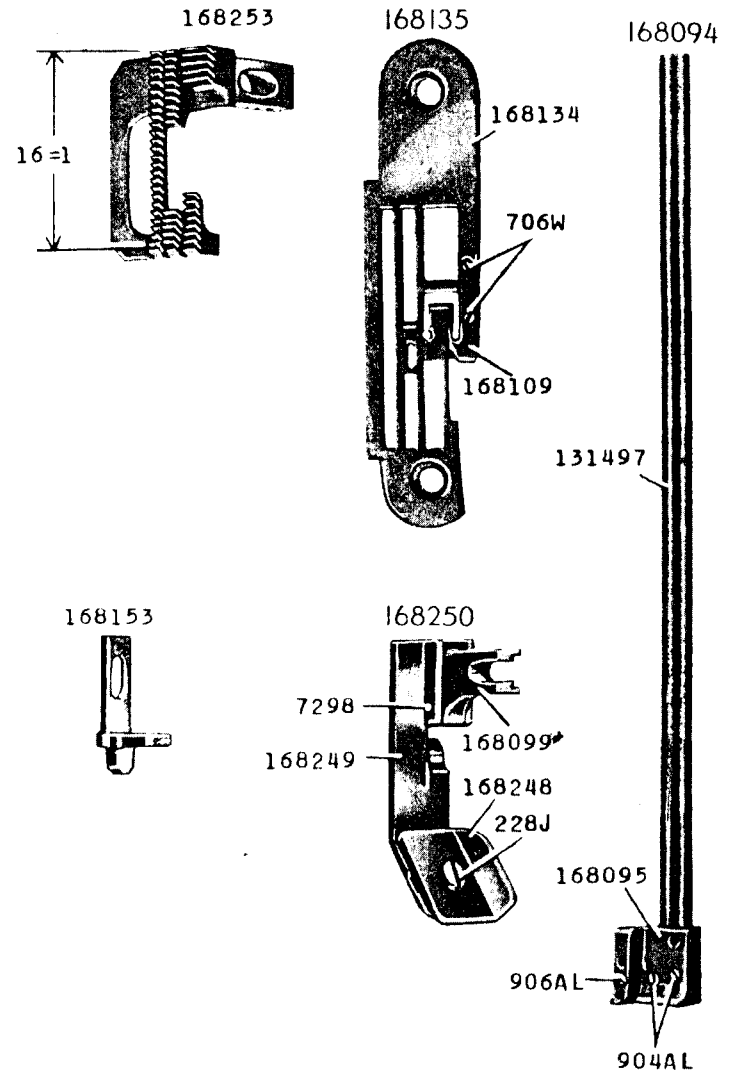
247-5



1/8-3/16, 1/8-1/4, 3/16-1/8, 3/16-3/16

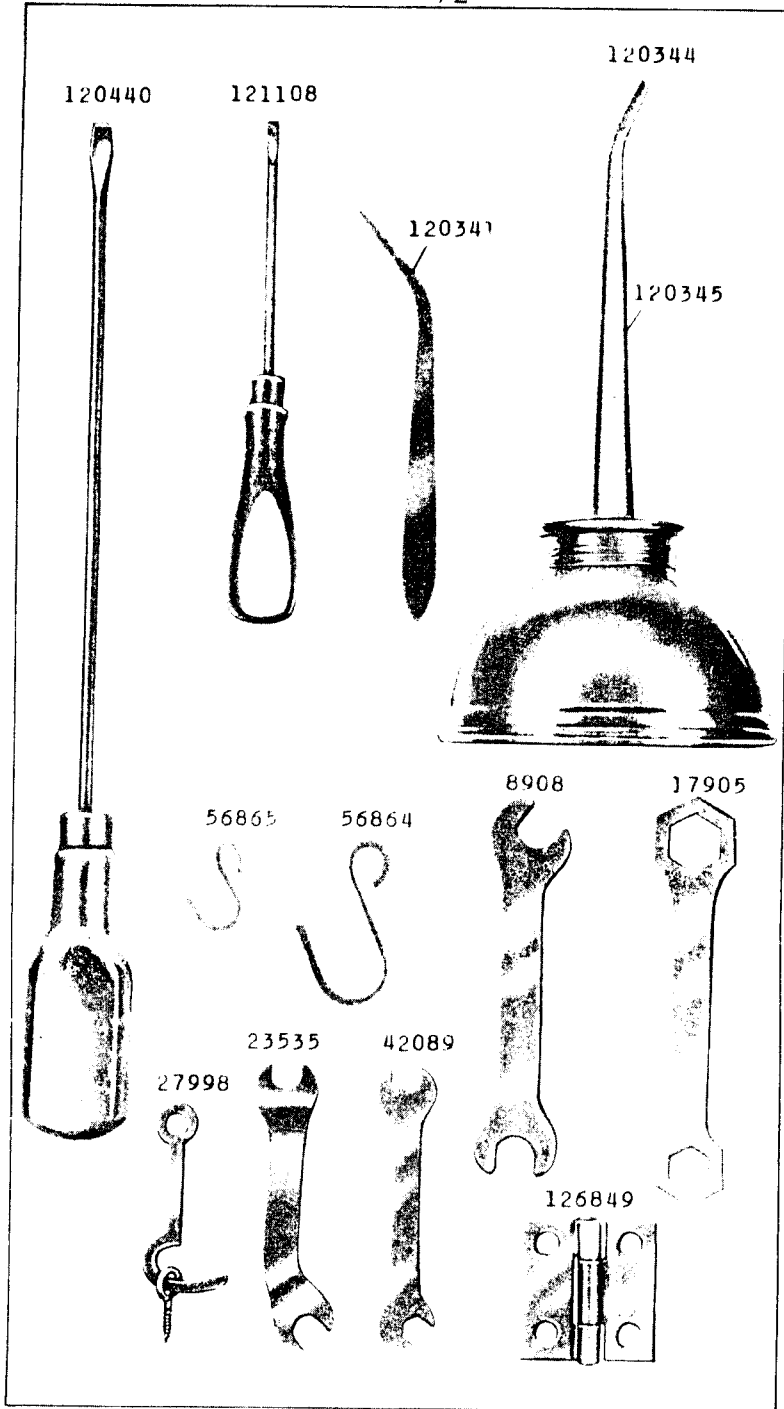
25570-2/3

247-5

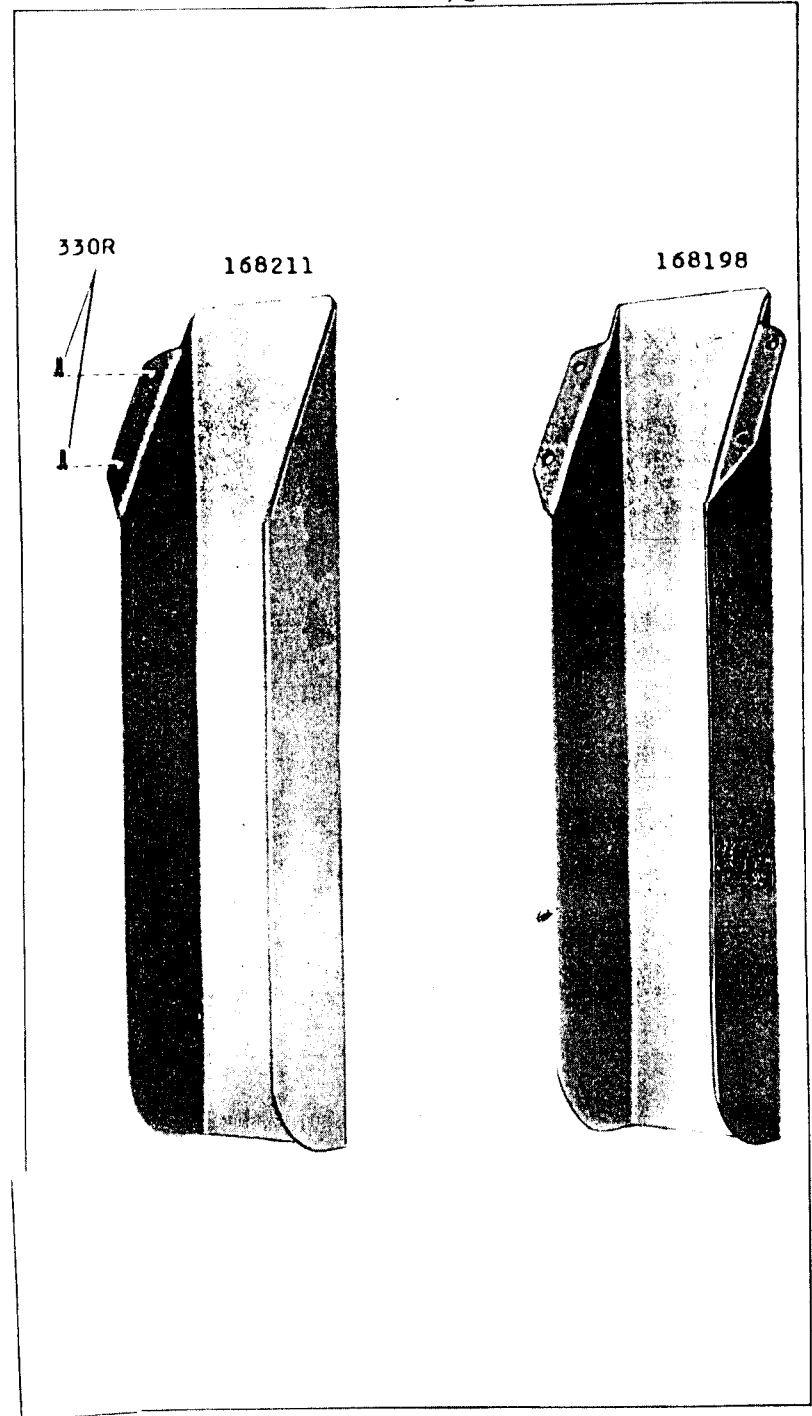


1/4-1/16, 1/4-1/8

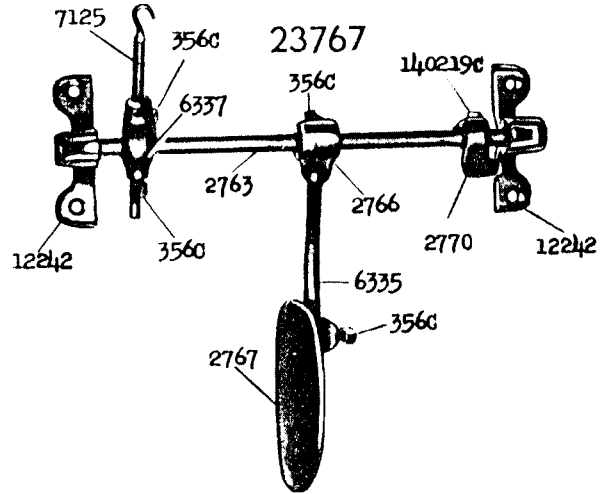
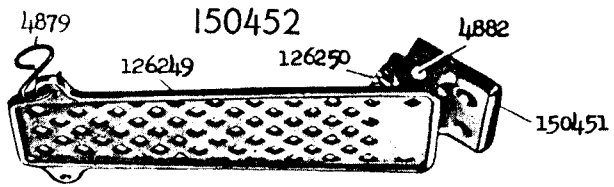
25571-1/2



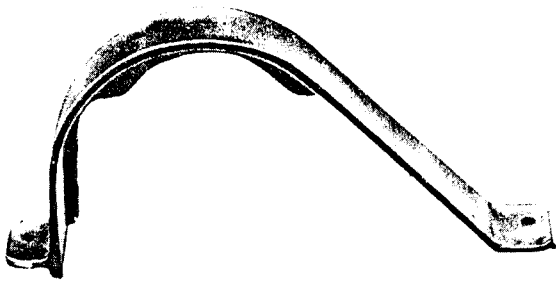
25572-1/3



25573-1/4



16806



25574-1/6

