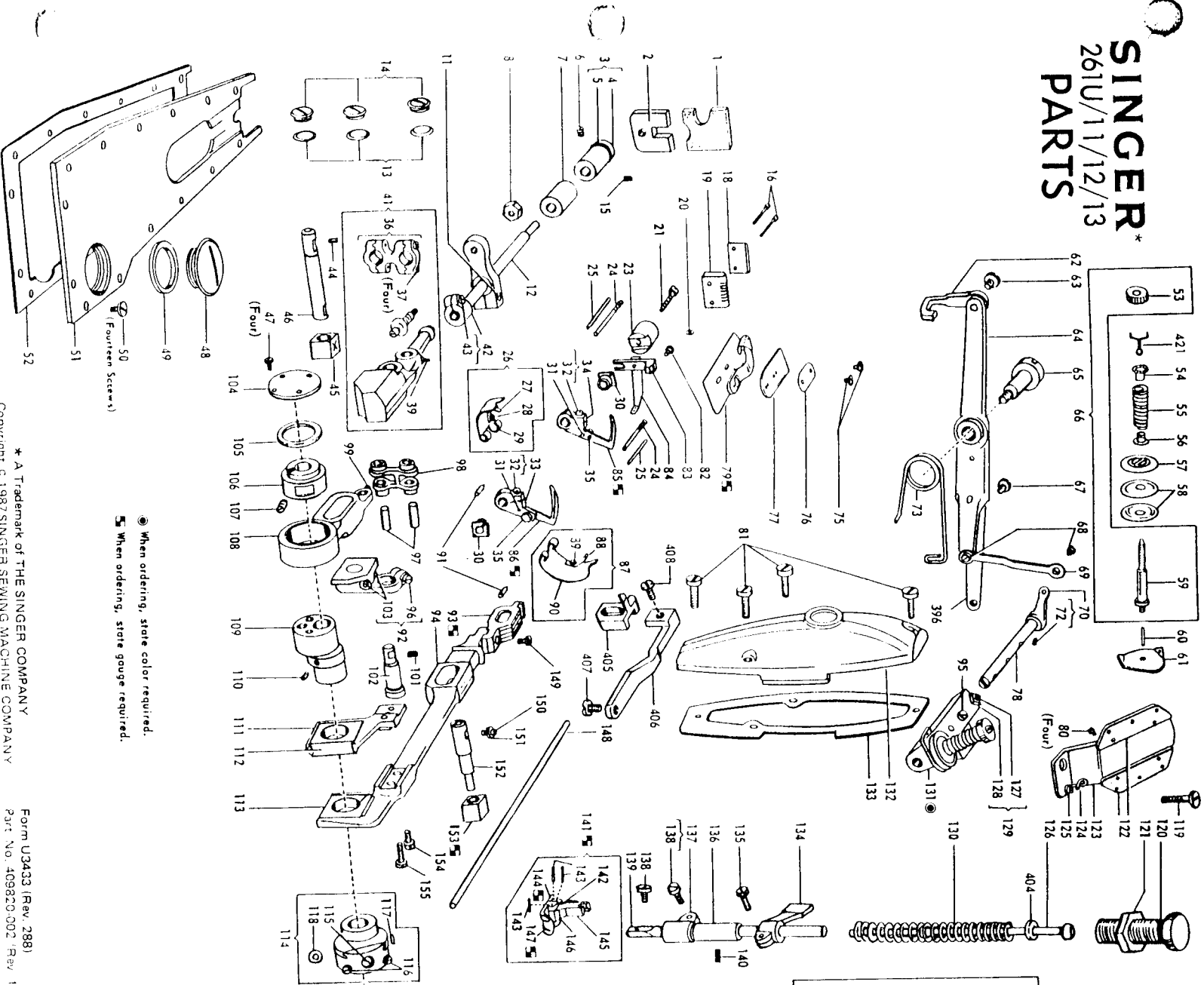


**SINGER**  
**261U11,U12,U13**

# SINGER\* 261U/11/12/13 PARTS

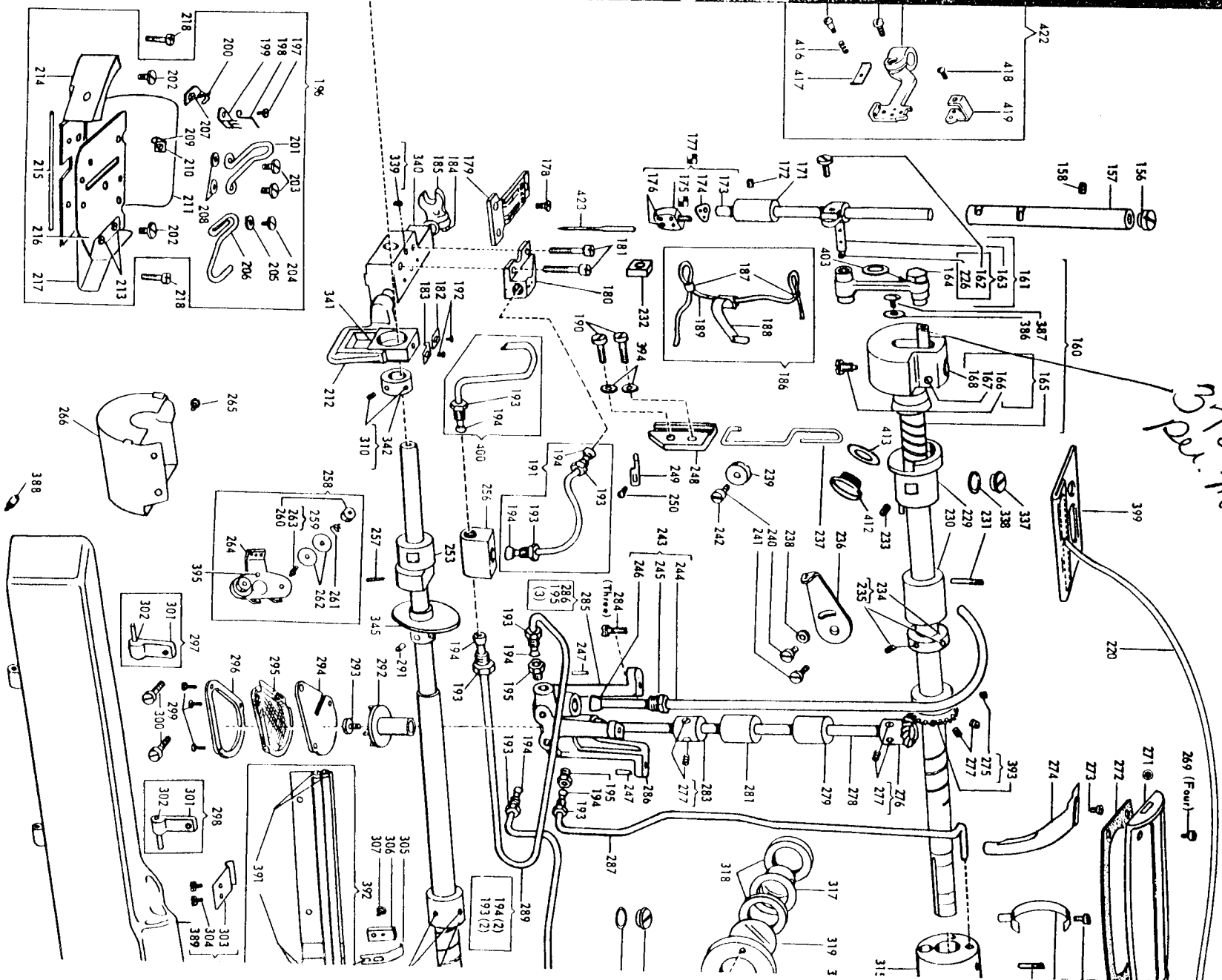


● When ordering, state color required.  
 ■ When ordering, state gauge required.

\* A Trademark of THE SINGER COMPANY  
 Copyright © 1987 SINGER SEWING MACHINE COMPANY  
 All Rights Reserved Throughout The World

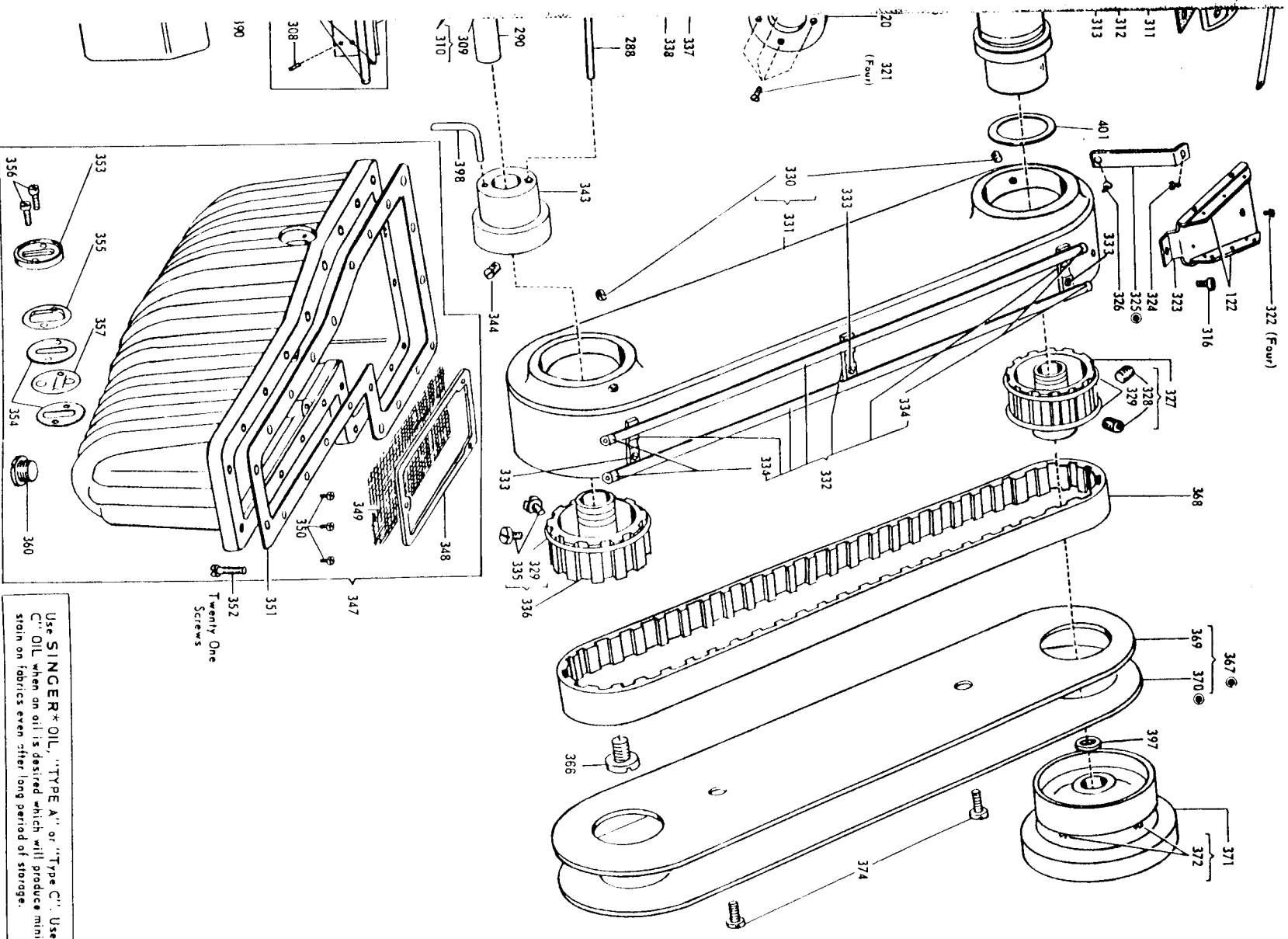
Form U3433 (Rev. 2881)  
 Part No. 409820-002 (Rev. 11)  
 Printed in Japan

170  
 420-  
 169-  
 415-



372827  
Per. Marquet

269 (Fou)



Use **SINGER\* OIL**, "TYPE A" or "Type C". Use "TYPE C" OIL when an oil is desired which will produce minimum stain on fabrics even after long period of storage.

LIST OF PARTS FOR 261-11, 12 and 13 MACHINES

CODE	PART NO.	DESCRIPTION	MACHINE VARIETY
1	143646	Bed Cover Reinforcing Plate Gasket	261-11, 12, 13
2	143614	Bed Oil Shield (felt, lower)	261-11, 12, 13
3	143552	Bushing (back) complete, 143485 with 143551	261-11, 12, 13
4	143485	Bushing (back)	261-11, 12, 13
5	143551	Oil Seal (rubber)	261-11, 12, 13
6	443	Set Screw	261-11, 12, 13
7	143486	Bushing (front)	261-11, 12, 13
8	545407	Ball Screw Stud Nut	261-11, 12, 13
11	416005	Clamping Screw	261-11, 12, 13
12	143484	Looper Holder Shaft	261-11, 12, 13
13	139509	Gasket (3)	261-11, 12, 13
14	416042	Oil Plug (3)	261-11, 12, 13
15	454 (830)	Set Screw	261-11, 12, 13
16	50225 (809)	Screw (2)	261-11, 12, 13
18	139181	Thread Cutter	261-11, 12, 13
19	143524	Thread Cutter Support and Guide	261-11, 12, 13
20	456	Set Screw	261-11, 12, 13
21	416144	Adjusting Screw	261-11, 12, 13
23	139120	Looper Thread Guide Bracket Holder	261-11, 12, 13
24	416149	Screw Stud (2)	261-11, 12, 13
25	143480	Position Pin (2)	261-11, 12, 13
26	143467	Looper Gate (left) 143466 with 143470 and 51282(819), for Throat Plates 3/4 inch wide	261-11, 12, 13
		inch wide	
		Looper Gate (left) 143468 with 143470 and 51282(819), for Throat Plates 7/8 inch wide	261-13
27	143470	Lock Spring	261-11, 12, 13
28	51282(819)	Lock Spring	261-11, 12, 13
29	143465	Looper Gate (left), for Throat Plates 3/4 inch wide	261-11, 12, 13
29	143465	Looper Gate (left), for Throat Plates 7/8 inch wide	261-13
29	143465	Looper Gate (left), for Throat Plates 7/8 inch wide	261-13
30	143483	Looper Holder Bushing Eccentric (2)	261-11, 12, 13
31	46276	Looper Position Pin (2)	261-11, 12, 13
32	416035	Looper Holder Clamping Screw (2)	261-11, 12, 13
33	416080	Looper Holder (front)	261-11, 12, 13
34	416079	Looper Holder (back)	261-11, 12, 13
35	440393	Looper Clamping Screw (2)	261-11, 12, 13
36	416127	Driving Arm Connection with four 45432	261-11, 12, 13
37	416132	Cap Screw (4)	261-11, 12, 13
39	1047(819)	Set Screw	261-11, 12, 13
41	32355	Looper Driving Arm complete	261-11, 12, 13
42	416027	Looper Holder Shaft Collar with 416005	261-11, 12, 13
43	416005	Clamping Screw	261-11, 12, 13
44	416(839)	Set Screw	261-11, 12, 13
45	139074	Looper Eccentric Connection Slide Block	261-11, 12, 13
46	416148	Looper Eccentric Connection Slide Block Stud	261-11, 12, 13
47	416126	Bushing Cover Screw (4)	261-11, 12, 13
48	416049	Bed Cover Hole Plug Screw	261-11, 12, 13
49	143435	Bed Cover Hole Plug Screw Gasket	261-11, 12, 13
50	140295	Bed Cover Screw (14)	261-11, 12, 13
51	416068	Bed Cover	261-11, 12, 13
52	143434	Bed Cover Gasket (Cork)	261-11, 12, 13
53	445023	Tension Regulating Thumb Nut (2)	261-11, 12, 13
54	143657	Tension Spring Bushing (large) (2)	261-11, 12, 13
55	131741	Tension Spring (2)	261-11, 12, 13
	143656	Tension Spring (2)	261-11, 12, 13
56	492538	Tension Spring Bushing (small) (2)	261-11, 12, 13
57	32322	Tension Releasing Disc (2)	261-11, 12, 13
58	2102	Tension Disc (4)	261-11, 12, 13
59	416017	Tension Screw Stud (2)	261-11, 12, 13
60	54988	Tension Releasing Pin (2)	261-11, 12, 13
61	131696	Tension Thread Guide (2)	261-11, 12, 13
62	146776	Presser Bar Lifting Bracket Lifter	261-11, 12, 13
63	307(819)	Presser Bar Lifting Bracket Lifter Hinge Screw	261-11, 12, 13
64	416081	Presser Bar Lifting Lever	261-11, 12, 13
65	308(819)	Presser Bar Lifting Lever Hinge Screw	261-11, 12, 13
66	416134	Presser Bar Lifting Lever Hinge Screw	261-11, 12, 13
67	504376	Tension Screw Stud 416011 (2) with 416021 (2)	261-11, 12, 13
68	416220	Presser Bar Lifting Lever Extension Screw (2)	261-11, 12, 13
69	416220	Hinge Screw (2)	261-11, 12, 13
70	416021	Tension Releasing Shaft Crank Connection Link	261-11, 12, 13
72	504134	Tension Releasing Shaft Crank with 504134	261-11, 12, 13
73	143511-001	Presser Bar Lifting Lever Spring	261-11, 12, 13
75	1443(802)	Lap Seam Feller Clamping Plate Screw (2)	261-11, 12, 13
76	121449	Lap Seam Feller Clamping Plate	261-11, 12, 13
77	416036	Lap Seam Feller Slide	261-11, 12, 13
78	68003	Tension Releasing Shaft	261-11, 12, 13
79	121586	Lap Seam Feller, Adjustable	261-11, 12, 13
	161427	Lap Seam Feller with yielding Lower Scroll and Adjustable Top Scroll	261-12
	121629	Lap Seam Feller, Adjustable	261-11, 12, 13
80	229	Screw (4)	261-11, 12, 13
81	140064(809)	Face Plate Screw (lower) (4)	261-11, 12, 13
82	154795	Looper Thread Guide Screw	261-11, 12, 13
83	416086	Looper Thread Guide Bracket	261-11, 12, 13
84	143487	Looper Thread Guide	261-11, 12, 13
85	32322	Looper (back) for 1/8 inch gauges	261-11, 12, 13
	32323	Looper (back) for 3/32 inch and 3/16 inch gauges	261-11, 12, 13
	32324	Looper (back) for 1/4 inch gauges	261-11, 12, 13
	32823	Looper (front) for 1/8 inch gauge	261-11, 12, 13
	32823	Looper (front) for 3/32 inch and 3/16 inch gauges	261-11, 12, 13

LIST OF PARTS FOR 261-11, 12 and 13 MACHINES

CODE	PART NO.	DESCRIPTION	MACHINE VARIETY
13	327	413612	261-11, 12, 13
13	328	416054	261-11, 12, 13
13	329	202253	261-11, 12, 13
13	330	544332	261-11, 12, 13
13	331	416069	261-11, 12, 13
13	332	414354	261-11, 12, 13
13	333	416137	261-11, 12, 13
13	334	139162	261-11, 12, 13
13	335	416046	261-11, 12, 13
13	336	413675	261-11, 12, 13
13	337	50608(813)	261-11, 12, 13
13	338	139017	261-11, 12, 13
13	339	456(830)	261-11, 12, 13
13	340	416074	261-11, 12, 13
13	341	413458	261-11, 12, 13
13	342	416073	261-11, 12, 13
13	343	413444	261-11, 12, 13
13	344	50422(803)	261-11, 12, 13
13	345	416028	261-11, 12, 13
13	347	416093	261-11, 12, 13
13	348	413542	261-11, 12, 13
13	349	413506	261-11, 12, 13
13	350	545109	261-11, 12, 13
13	351	413508	261-11, 12, 13
13	352	966(819)	261-11, 12, 13
13	353	164134	261-11, 12, 13
13	354	164132	261-11, 12, 13
13	355	164133	261-11, 12, 13
13	356	416008	261-11, 12, 13
13	357	413601	261-11, 12, 13
13	358	360	261-11, 12, 13
13	359	416053	261-11, 12, 13
13	360	416016	261-11, 12, 13
13	361	139036	261-11, 12, 13
13	362	264715	261-11, 12, 13
13	363	139037	261-11, 12, 13
13	364	139035	261-11, 12, 13
13	371	416021	261-11, 12, 13
13	372	416039	261-11, 12, 13
13	373	51283(830)	261-11, 12, 13
13	374	515361	261-11, 12, 13
13	375	413336	261-11, 12, 13
13	376	416045	261-11, 12, 13
13	377	416006	261-11, 12, 13
13	378	413521	261-11, 12, 13
13	379	413522	261-11, 12, 13
13	380	413522	261-11, 12, 13
13	381	139167	261-11, 12, 13
13	382	416029	261-11, 12, 13
13	383	416118	261-11, 12, 13
13	384	594956	261-11, 12, 13
13	385	430(830)	261-11, 12, 13
13	386	416609	261-11, 12, 13
13	387	143654	261-11, 12, 13
13	388	413682	261-11, 12, 13
13	389	133292	261-11, 12, 13
13	390	416103	261-11, 12, 13
13	391	138045	261-11, 12, 13
13	392	416039	261-11, 12, 13
13	393	114475	261-11, 12, 13
13	394	175032	261-11, 12, 13
13	395	32381	261-11, 12, 13
13	396	416014	261-11, 12, 13
13	397	416135	261-11, 12, 13
13	398	416141	261-11, 12, 13
13	399	416038	261-11, 12, 13
13	400	139017	261-11, 12, 13
13	401	416007	261-11, 12, 13
13	402	68164	261-11, 12, 13
13	403	54095	261-11, 12, 13
13	404	337	261-11, 12, 13
13	405	139196	261-11, 12, 13
13	406	416031	261-11, 12, 13
13	407	413628	261-11, 12, 13
13	408	416128	261-11, 12, 13
13	409	416128	261-11, 12, 13
13	410	2793-01	261-11, 12, 13
13	411	2793-01	261-12
13	412	3631-05	261-13
13	423	2793-01	261-11, 12, 13
13	424	2793-01	261-12
13	425	3631-05	261-13

LIST OF PARTS FOR 26-11, 12 and 13 MACHINES

CODE	PART NO.	DESCRIPTION	MACHINE VARIETY
229	146672	Arm Rotary Shaft Flanged Bushing (front)	26-11, 12, 13
230	145503	Arm Rotary Shaft Bushing (center)	26-11, 12, 13
231	416124	Arm Rotary Shaft Flanged Bushing (center) Set Screw	26-11, 12, 13
232	139111	Needle Bar Connecting Stud Slide Block	26-11, 12, 13
233	416044	Arm Rotary Shaft Flanged Bushing (front) Set Screw	26-11, 12, 13
234	416119	Arm Rotary Shaft Thrust Collar with two 504134	26-11, 12, 13
235	504134	Arm Rotary Shaft Thrust Collar Set Screw (2)	26-11, 12, 13
236	146633	Thread (needle) Eyelet (side of arm)	26-11, 12, 13
237	139198	Thread (needle) Take-up (auxiliary)	26-11, 12, 13
238	7071	Thread (needle) Eyelet (side of arm) Position Screw Washer	26-11, 12, 13
239	54242	Thread (needle) Take-up (auxiliary) Clamp	26-11, 12, 13
240	416133	Thread (needle) Take-up (auxiliary) Clamp Screw	26-11, 12, 13
241	416008	Thread (needle) Eyelet (side of arm) Position Screw	26-11, 12, 13
243	416125	Thread (needle) Eyelet (side of arm) Position Screw	26-11, 12, 13
244	143503	Oil Pipe complete, No. 143503 with 143065 and 416062	26-11, 12, 13
245	416062	Oil Pipe	26-11, 12, 13
246	143065	Oil Pipe Clamping Sleeve Nut	26-11, 12, 13
247	143071	Oil Pipe Clamping Sleeve	26-11, 12, 13
248	146908	Oil Pump Body Position pin (2)	26-11, 12, 13
249	143570	Needle Bar Connecting Stud Slide Block Guide	26-11, 12, 13
250	140180(809)	Thread Guide (front of arm)	26-11, 12, 13
252	144645	Thread Guide (front of arm) Screw	26-11, 12, 13
253	416101	Bed Rotary Shaft Bushing (intermediate)	26-11, 12, 13
257	416044	Oil Tube Connection	26-11, 12, 13
258	416083	Set Screw	26-11, 12, 13
259	416082	Tension (Loopers thread) complete, Nos. 416087 two each 143514, 416082 and four 10106	26-11, 12, 13
260	416009	Tension Screw Stud 416051 with 416002 (2)	26-11, 12, 13
261	143914	Tension Regulating Turns Nut (2)	26-11, 12, 13
262	10106	Tension Spring (2)	26-11, 12, 13
263	10106	Tension 2186 Nut	26-11, 12, 13
264	416051	Tension Screw Stud (2)	26-11, 12, 13
265	416097	Looper Thread Set	26-11, 12, 13
266	416136	Oil and Loop Guard Screw (2)	26-11, 12, 13
267	143199	Oil and Loop Guard	26-11, 12, 13
268	143199	Arm Top Cover Screw (2)	26-11, 12, 13
269	416117	Arm Top Cover	26-11, 12, 13
272	146508	Arm Top Cover	26-11, 12, 13
273	416020	Arm Top Cover Jacket	26-11, 12, 13
274	143372	Oil Lead	26-11, 12, 13
275	549084	Arm Rotary Shaft Bevel Gear Position Screw	26-11, 12, 13
276	416061	Arm Shaft (upright) Bevel Gear (upper), left hand spiral with two 549068	26-11, 12, 13
277	549068	Set Screw (2)	26-11, 12, 13
278	416066	Arm Shaft (upright)	26-11, 12, 13
279	143111-901	Arm Shaft (upright) Bushing (upper)	26-11, 12, 13
281	416305	Arm Shaft (upright) Bushing (lower)	26-11, 12, 13
283	416067	Arm Shaft (upright) Collar with two 146068	26-11, 12, 13
284	549183	Oil Pump Body Screw (2)	26-11, 12, 13
285	416111	Oil Pump Body 416112 with three 416065	26-11, 12, 13
286	416113	Oil Pump Body	26-11, 12, 13
287	416090	Oil Pipe with 143124 and 416064	26-11, 12, 13
288	416126	Oil Pipe with 43124 and 416064	26-11, 12, 13
289	416100	Oil Tube complete with two each 143124 and 416064	26-11, 12, 13
290	143659	Bed Rotary Shaft	26-11, 12, 13
291	544306	Thread (Looper) Take-up Set Screw (2)	26-11, 12, 13
292	416263	Oil Pump Impeller	26-11, 12, 13
293	443522	Oil Pump Impeller Locking Screw	26-11, 12, 13
294	416000	Oil Pump Cover	26-11, 12, 13
295	146057	Oil Pump Screen	26-11, 12, 13
296	146653	Oil Pump Screen Frame	26-11, 12, 13
297	139912	Thread (Looper) Thread Tube Cover Hinge Plate (left) 139913 with 23422	26-11, 12, 13
298	139920	Thread (Looper) Thread Tube Cover Hinge Plate (right) Spacing Collar with two 504246	26-11, 12, 13
299	549193	Thread (Looper) Thread Tube Cover Hinge Plate (front) 139912 with 139913	26-11, 12, 13
300	143061(900)	Oil Pump Screen Frame Screw (3)	26-11, 12, 13
301	139970	Cover Hinge Plate Screw (2)	26-11, 12, 13
302	139970	Thread (Looper) Thread Tube Cover Hinge Plate (2)	26-11, 12, 13
303	139911	Cover Catch	26-11, 12, 13
304	229(309)	Cover Catch Screw (2)	26-11, 12, 13
305	139173	Cover Lock Spring	26-11, 12, 13
306	416030	Cover Lock Spring Reinforcing Plate	26-11, 12, 13
307	416136	Cover Lock Spring Screw (2)	26-11, 12, 13
308	20995	Cover Lock Spring Position Spring	26-11, 12, 13
309	416970	Bed Rotary Shaft Bushing (right) Spacing Collar with two 504246	26-11, 12, 13
310	504048	Spacing Collar Set Screw (4)	26-11, 12, 13
311	416142	Arm Rotary Shaft Flanged Bushing (back) Oil Pump Tube Holder Screw	26-11, 12, 13
312	146790	Oil Pump Tube	26-11, 12, 13
313	416124	Arm Rotary Shaft Flanged Bushing (back) Set Screw	26-11, 12, 13
314	146811	Arm Rotary Shaft Flanged Bushing (back)	26-11, 12, 13
315	416133	Thread Guide Straker Screw	26-11, 12, 13
316	146891	Oil Flow Body	26-11, 12, 13
317	143961	Oil Flow Body Jacket (2)	26-11, 12, 13
318	143062	Oil Flow Window	26-11, 12, 13
319	143028	Oil Flow Window Nut	26-11, 12, 13
320	416136	Oil Flow Window Tap Screw (4)	26-11, 12, 13
321	50342(809)	Thread (Looper) Thread Guide Screw (4)	26-11, 12, 13
322	416034	Thread (Looper) Thread Guide Bracket	26-11, 12, 13
323	416142	Guide Bracket Support Screw (upper)	26-11, 12, 13
324	139125	Guide Bracket Support	26-11, 12, 13
325	139125	Guide Bracket Support Screw (lower)	26-11, 12, 13
326	416136	Guide Bracket Support Screw (lower)	26-11, 12, 13

S  
26

14

11

3

7

6

3

2

1

LIST OF PARTS FOR 261-11, 12 and 13 MACHINES

CODE	PART NO.	DESCRIPTION	MACHINE VARIETY
146	21488	Presser Foot Plate and Yielding Heel Connection	261-11
147	139135	Presser Foot Plate (front)	261-12
148	139281	Thread (Loop) Thread Tube (side of bed)	261-11, 12, 13
149	1251(805)	Feed Dog Screw	261-11, 12, 13
150	443(830)	Feed Bar Hinge Pin Set Screw	261-11, 12, 13
151	545407	Feed Bar Hinge Pin Set Screw Lock Nut	261-11, 12, 13
152	416145	Feed Bar Hinge Pin (eccentric)	261-11, 12, 13
153	139086	Feed Bar Hinge Pin Slide Block	261-11, 12, 13
154	504084	Connection Screw (short)	261-11, 12, 13
155	545385	Connection Screw (long)	261-11, 12, 13
156	140440(819)	Needle Bar Bushing (upper) Oil Plug Screw	261-11, 12, 13
157	416112	Needle Bar Bushing (upper) Set Screw	261-11, 12, 13
158	1133(830)	Needle Bar Bushing (upper) Set Screw	261-11, 12, 13
160	416105	Arm Rotary Shaft 416097 with 416045, 416236 and 416122	261-12
	416106	Arm Rotary Shaft 416098 with 416045, 416236 and 416122	261-13
	416107	Arm Rotary Shaft 416099 with 416045, 416236 and 416122	261-11, 12, 13
161	416122	Needle Bar Connecting Link with 14475, 139533 and 416123	261-11, 12, 13
162	140061	Clamping Screw	261-11, 12, 13
163	416183	Needle Bar Connecting Stud with 140061(805) and 143619	261-11, 12, 13
164	139533	Needle Bar Connecting Link Screw Cap	261-11, 12, 13
165	416097	Arm Rotary Shaft with 504095, 416048 and 504120	261-11
	416098	Arm Rotary Shaft with 504095, 416048 and 504120	261-12
	416099	Arm Rotary Shaft with 504095, 416048 and 504120	261-13
166	504120	Needle Bar Crank Position Cover	261-11, 12, 13
167	504095	Set Screw	261-11, 12, 13
168	416048	Needle Bar Connecting Link Hinge Stud Clamping Screw	261-11, 12, 13
169	51460	Thread (needle) Take-up Clamping Screw	261-11, 12, 13
170	416033	Thread (needle) Take-up with 51460	261-11, 12, 13
171	20799-001	Needle Bar Bushing (lower)	261-11, 12, 13
172	20799-002	Needle Bar Bushing (lower) Set Screw	261-11, 12, 13
173	1133(830)	Needle Bar Bushing (lower) Set Screw	261-11, 12, 13
174	146497	Needle Bar	261-11, 12, 13
175	139116	Needle Clamp Thread Nut	261-11, 12, 13
176	149233	Needle Clamp with two 139133, for gauges 1 1/8 inch to 1 1/4 inch (NOTE: State gauge required.)	261-11, 12, 13
177	144489	Needle Bar Screw	261-11, 12, 13
178	691(806)	Needle Bar complete, for 3/16 inch to 3/32 inch gauges, Nos. 137116 and 146573 (NOTE: State gauge required.)	261-11, 12, 13
179	139533-009	Throat Plate Screw (3)	261-11, 12, 13
	22572-012	Throat Plate for 1/8 inch and 5/16 inch gauges (NOTE: State gauge required.)	261-12
	139541-016	Throat Plate for 3/16 inch gauge (NOTE: State gauge required.)	261-11
	139388-000	Throat Plate for 1/4 inch to 1 1/4 inch gauges (NOTE: State gauge required.)	261-13
	139388-000	Throat Plate for 3/16 inch and 1/4 inch gauges (NOTE: State gauge required.)	261-11, 12, 13
180	416078	Oil Connection	261-11, 12, 13
181	416001	Oil Connection Screw (2)	261-11, 12, 13
182	143459	Slide Block Cover (back)	261-11, 12, 13
183	143460	Slide Block Cover (front)	261-11, 12, 13
184	540030	Forked Connection Crank Clamping Screw	261-11, 12, 13
185	416075	Looper Avoiding Eccentric Forked Connection Crank with 540030	261-11, 12, 13
186	146805	Needle Bar Bushing (lower and upper) Oil Wick complete, Nos. 146703, 146804 and two 146730	261-11, 12, 13
187	146586	Oil Wick Clip (2)	261-11, 12, 13
188	146703	Oil Wick Clamp and Retainer	261-11, 12, 13
189	146804	Needle Bar Bushing Oil Wick	261-11, 12, 13
190	416003	Needle Bar Connecting Stud Slide Block Guide Screw (2)	261-11, 12, 13
191	416102	Arm Rotary Shaft Bushing (left) and Looper Avoid Bracket Oil Tube with two washers 416124 and 416061	261-11, 12, 13
192	225(805)	Slide Block Cover Screw (2)	261-11, 12, 13
193	416061	Oil Tube Clamping Screw (2)	261-11, 12, 13
194	143124	Oil Tube Clamping Sleeve (2)	261-11, 12, 13
195	416065	Oil Tube Clamping Sleeve (3)	261-11, 12, 13
196	416085	Thread (Looper) Take-up Stripper Plate Bracket 416084 with 240 300, 7071, 5128(909), 139115, 139116, 139117, 139118, 139119, 139120, 139121, 139122, 139123, 139124, 139125, 139126, 139127, 149311, 416115, 416112 and two each 146117, 446139, 565(350) and 17022	261-11, 12, 13
197	225(805)	Thread Retainer Screw	261-11, 12, 13
198	139157	Thread Retainer	261-11, 12, 13
199	139156	Thread Separator	261-11, 12, 13
200	139154	Thread Guide (left)	261-11, 12, 13
201	139144	Thread (Looper) Take-up Stripper	261-11, 12, 13
202	416135	Thread (Looper) Take-up Stripper Plate Screw (2)	261-11, 12, 13
203	416137	Thread (Looper) Take-up Stripper Screw (2)	261-11, 12, 13
204	416140	Thread Guide (right) Screw	261-11, 12, 13
205	7071	Thread Guide (right) Screw Washer	261-11, 12, 13
206	139155	Thread Guide (right) Screw Washer	261-11, 12, 13
207	416142	Thread Guide (left) Screw	261-11, 12, 13
208	17022	Stripper Screw Washer (2)	261-11, 12, 13
209	139147	Take-up Cover Lock Spring	261-11, 12, 13
210	5128(809)	Take-up Cover Lock Spring Screw	261-11, 12, 13
211	139145	Thread (Looper) Take-up Cover	261-11, 12, 13
212	143155	Looper Avoiding Eccentric Forked Connection	261-11, 12, 13
213	665(809)	Stripper Plate Thread Guard Screw (2)	261-11, 12, 13
214	416084	Stripper Plate Bracket	261-11, 12, 13
215	139146	Take-up Cover Hinge Pin	261-11, 12, 13
216	143517	Stripper Plate Thread Guard	261-11, 12, 13
217	139152	Stripper Plate Bracket Screw (2)	261-11, 12, 13
218	446132	Oil Removing Tube (head end)	261-11, 12, 13
219	156772	Oil Removing Tube (head end)	261-11, 12, 13
220	156772	Oil Removing Tube (head end)	261-11, 12, 13
221	139153	Oil Removing Tube (head end)	261-11, 12, 13



## LIST OF PARTS FOR 261-11, 12 and 13 MACHINES

CODE	PART NO.	DESCRIPTION	MACHINE VARIETY
86	32824	Looper (front) for 1/4 inch gauge	261-11, 12, 13
87	143474	Looper Gate (right) 143473 with 143477 and 51282(819), for Throat Plates 3/4 inch wide	261-11, 12, 13
	143476	Looper Gate (right) 143475 with 143477 and 51282(819), for Throat Plates 7/8 inch wide	261-11, 12, 13
88	143477	Looper Gate (right) Lock Spring	261-11, 12, 13
89	51282(819)	Looper Gate (right) Lock Spring Screw	261-11, 12, 13
90	143473	Looper Gate (right) for Throat Plates 3/4 inch wide	261-11, 12, 13
91	143478	Looper Gate (right) for Throat Plates 7/8 inch wide	261-11, 12, 13
92	416043	Looper Gate Hinge Pin (2)	261-11, 12, 13
93	139537-000	Looper Eccentric Collar and Support with 416020 and two 545390	261-11, 12, 13
	22571-012	Feed Dog, 21 teeth (16 teeth to the inch), for 1/8 inch and 5/32 inch gauges (NOTE: State gauge required.)	261-11
	139540-016	Feed Dog, 19 teeth (14 teeth to the inch), for 1/4 inch gauge (NOTE: State gauge required.)	261-11
	139388-000	Feed Dog, 16 teeth (12 teeth to the inch), for 3/16 inch and 1/4 inch gauges (NOTE: State gauges required.)	261-12
	139414-000	Feed Dog, 11 teeth (8 teeth to the inch), for 3/16 inch to 1/4 inch gauges (NOTE: State gauge required.)	261-13
	143448	Feed Bar	261-11, 12, 13
95	504691	Plug Screw	261-11, 12, 13
96	416020	Clamping Screw	261-11, 12, 13
97	139665	Link Hinge Pin (2)	261-11, 12, 13
98	139064	Connecting Link	261-11, 12, 13
99	1047(830)	Set Screw	261-11, 12, 13
101	446(830)	Set Screw	261-11, 12, 13
102	139534	Looper Driving Arm Hinge Stud	261-11, 12, 13
103	545390	Set Screw (2)	261-11, 12, 13
104	139530	Bed Rotary Shaft Bushing (left) Cover	261-11, 12, 13
105	143643	Bed Rotary Shaft Bushing (left) for Pinz	261-11, 12, 13
106	143644	Bed Rotary Shaft Bushing (left)	261-11, 12, 13
107	416044	Set Screw	261-11, 12, 13
108	143462	Looper Eccentric Connection with 143473	261-11, 12, 13
109	416021	Looper Eccentric and Feed Lifting Eccentric with two 143628	261-11, 12, 13
110	545068	Looper Eccentric and Feed Lifting Eccentric Set Screw	261-11, 12, 13
111	416040	Feed Lifting Eccentric Forked Connection	261-11, 12, 13
112	143451	Feed Lifting Eccentric Forked Connection Slide Block	261-11, 12, 13
113	143450	Feed Eccentric Slide Block	261-11, 12, 13
114	416071	Feed Eccentric (Adjustable) complete, Nos. 7071, 416139 and two 51061(830)	261-11, 12, 13
115	416139	Feed Eccentric Clamping Washer Screw	261-11, 12, 13
116	51061(830)	Set Screw (2)	261-11, 12, 13
117	416018	Feed Regulating Screw	261-11, 12, 13
118	7071	Feed Eccentric Clamping Washer	261-11, 12, 13
119	416217	Tension Bracket Screw	261-11, 12, 13
120	416052	Pressure Regulating Thum Screw	261-11, 12, 13
121	416021	Pressure Regulating Thum Screw Nut	261-11, 12, 13
122	139158	Thread (Looper) Thread Guide (2)	261-11, 12, 13
	139158	Thread (needle) Thread Guide (2)	261-11, 12, 13
123	416032	Thread (needle) Thread Guide Bracket	261-11, 12, 13
124	139177	Thread (needle) Eyelet	261-11, 12, 13
125	416138	Thread (needle) Eyelet Screw	261-11, 12, 13
126	32933	Presser Bar Spring Guide Pin	261-11, 12, 13
127	416003	Presser Bar Spring Guide Pin	261-11, 12, 13
128	545454	Stop Screw	261-11, 12, 13
129	416070	Stop Screw Nut	261-11, 12, 13
130	416070	Tension Needle Thread Regulating Throat Stop Screw Guide with 416070	261-11, 12, 13
131	446159	Presser Bar Spring	261-11, 12, 13
132	416025	Tension (needle thread) Bracket (NOTE: State color required.)	261-11, 12, 13
133	143447	Face Plate	261-11, 12, 13
134	143543	Face Plate Gasket	261-11, 12, 13
135	416015	Clamping Bar Lifting Bracket with 416035	261-11, 12, 13
136	416035	Clamping Screw	261-11, 12, 13
137	446151	Presser Bar Bushing (lower)	261-11, 12, 13
138	416116	Presser Bar Stop with 446154	261-11, 12, 13
	416134	Clamping Screw	261-11, 12, 13
139	416041	Presser Foot Screw	261-11, 12, 13
140	1133(805)	Presser Bar Bushing (lower) Set Screw	261-11, 12, 13
141	139138-000	Presser foot (triple hinged) complete, for 1/3 inch and 5/32 inch gauges, Nos. 37160, 139134, 139135, 139137, 146167 and three 26276 (NOTE: State gauge required.)	261-12
	139233-000	Presser foot (triple hinged) complete, for 3/16 inch and 1/4 inch gauges	261-12
	139423-000	Presser foot (triple hinged) complete, for 5/32 inch and 1/4 inch gauges	261-12
	21492-006	Presser foot (triple hinged) complete, for 1/3 inch and 1/4 inch gauges	261-11
	21492-012	Presser foot (triple hinged) complete, for 5/32 inch gauge	261-11
	21492-112	Presser foot (triple hinged) complete, for 3/16 inch gauge	261-11
	21492-116	Presser foot (triple hinged) complete, for 1/4 inch gauge	261-11
142	37160	Presser foot plate connection spring, for 1/4 inch gauge	261-12, 13
	21489	Presser foot plate and retaining feed connection springs	261-12, 13
143	26276	Knife Pin (3)	261-12, 13
	26276-004	Knife Pin	261-12, 13
144	139134	Presser foot plate (back) (NOTE: State gauge required.)	261-11, 12, 13
	21487-008	Presser foot plate, for 1/3 inch gauge	261-11, 12, 13
	21487-012	Presser foot plate, for 5/32 inch gauge	261-11, 12, 13
	21487-112	Presser foot plate, for 3/16 inch gauge	261-11, 12, 13
	21487-016	Presser foot plate, for 1/4 inch gauge	261-11, 12, 13
145	139137	Presser foot Shank	261-11, 12, 13
	21490	Presser foot Shank	261-11, 12, 13
146	139135	Presser foot plate connection	261-11, 12, 13