

ILLUSTRATED PARTS LIST

FOR
SINGER®

MACHINE

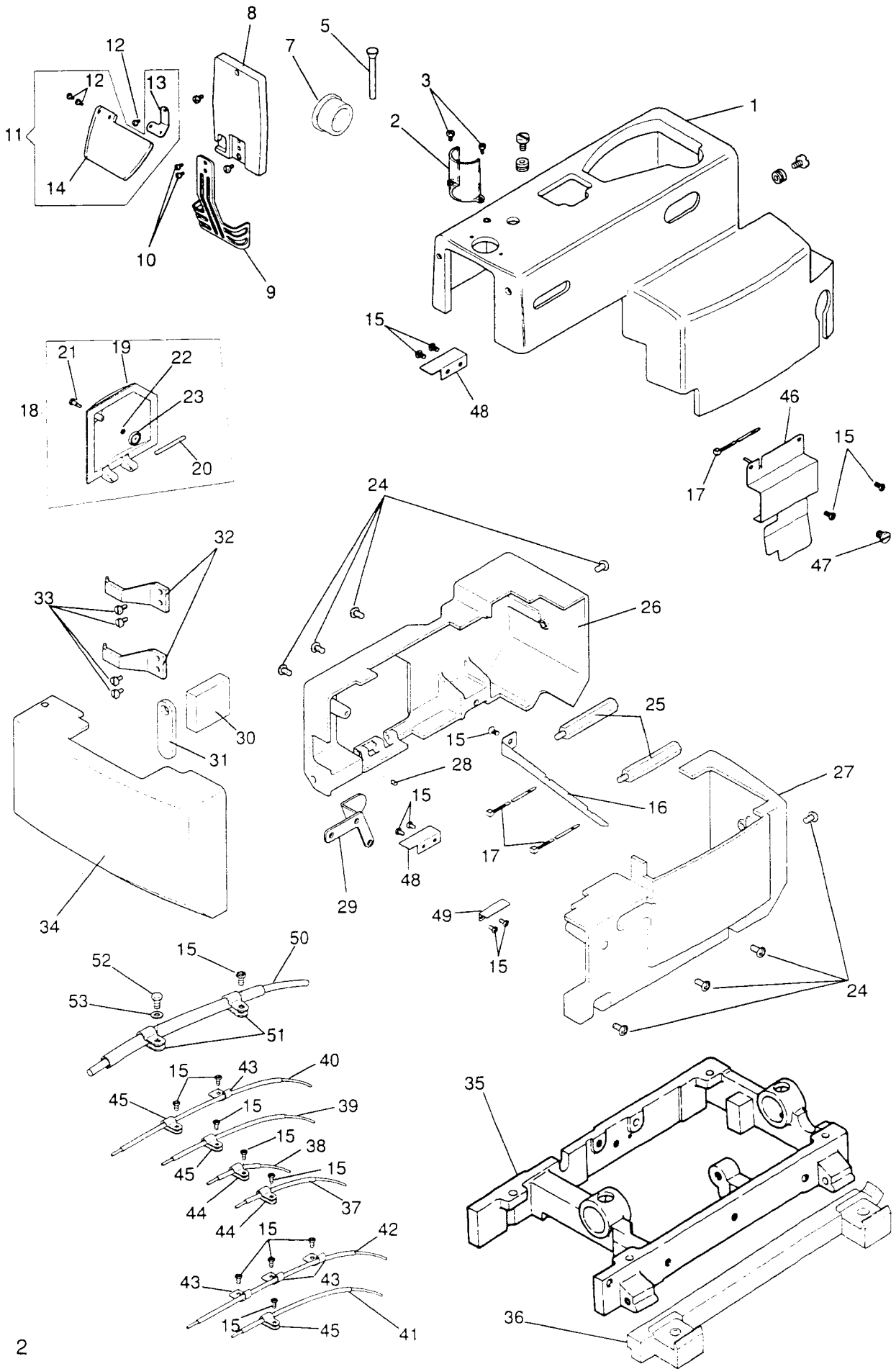
299U 1350
1351
1353S
1353M
1353L
1357S
1357M

CONTENTS

1. COVER.WICK	2
2. BED SHAFT.RAPID FEED SHAFT.TENSION RELEASE	4
3. CUTTING MECH	6
4. NEEDLE VIBRATING MECH.PATTERN WHEEL MECH.CLAMP LIFTING MECH	8
5. SPREAD MECH.CLOSING LEVER.FEED WHEEL START MECH	10
6. CARRIER.SPREAD MECH	12
7. THREAD AND CORD CUTTING MECH	14
8. SENSOR AND SWITCH	16
9. OPTION	18
10. FITTINGS	20
11. ACCESORIES	22

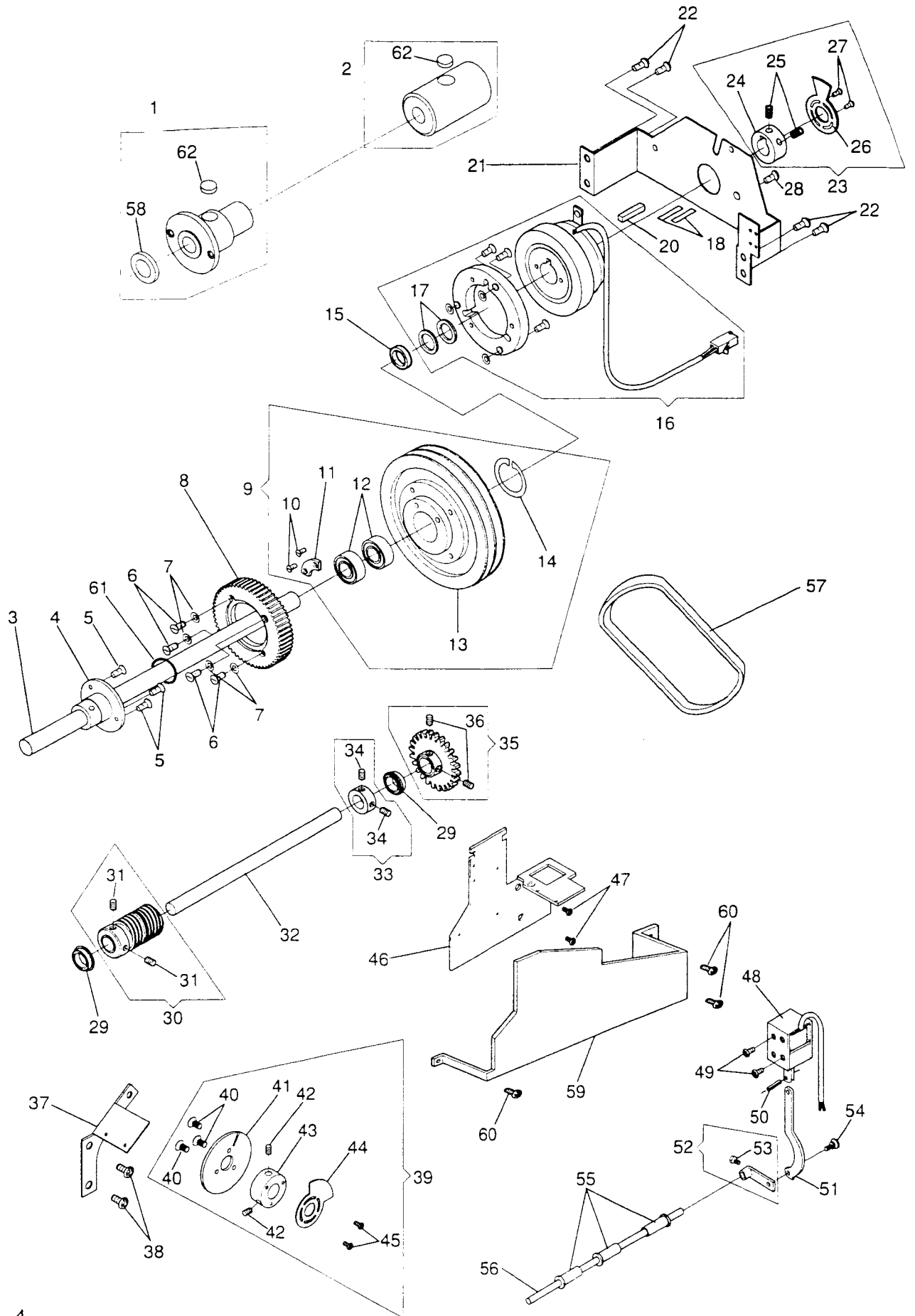
* REFER TO 299U 123W,210W AND 230W PARTS CHART
FOR PARTS NOT LISTED ON THIS PARTS CHART.

COVER, WICK



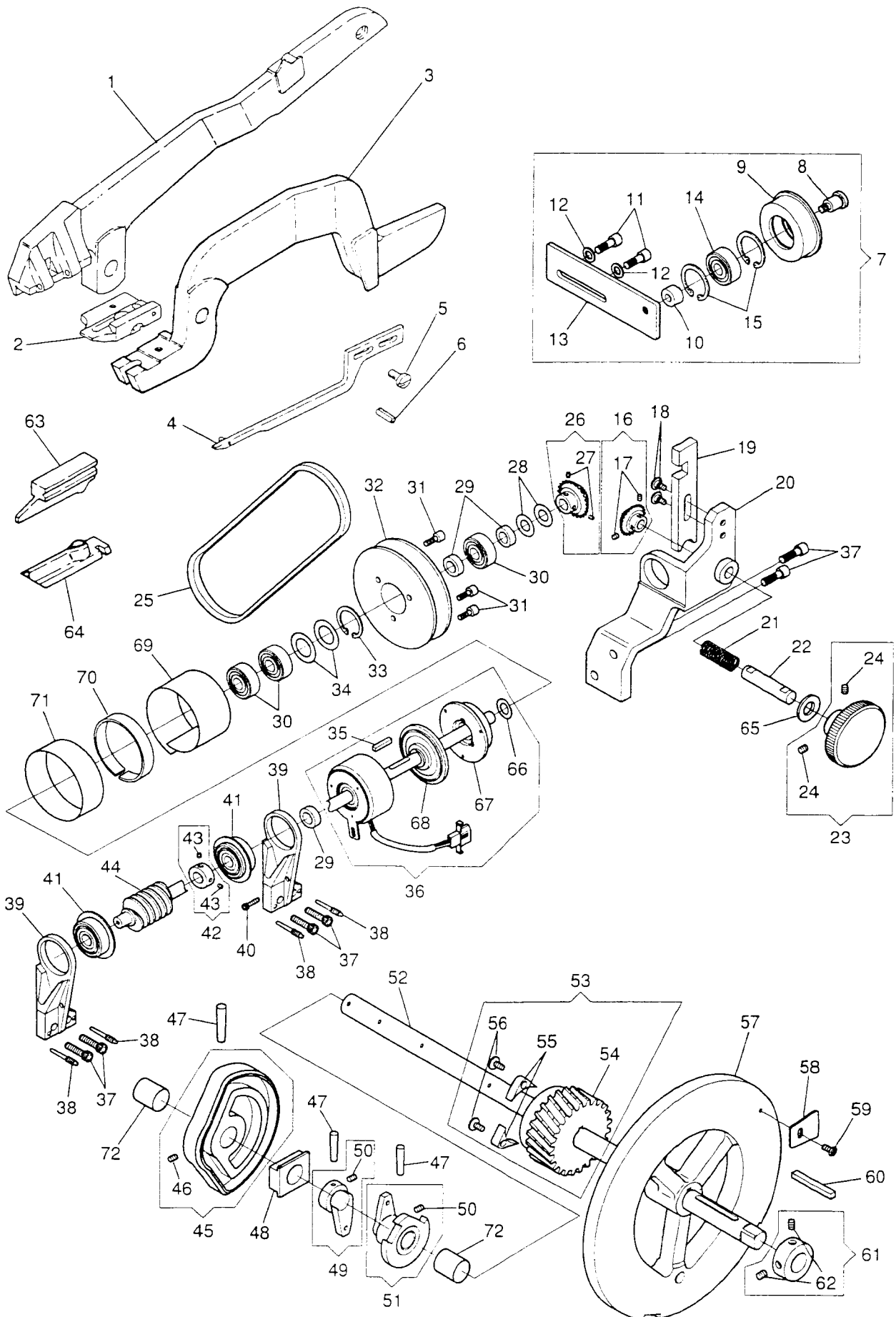
REF	PART NO.	1350	1351	1353S	1353M	1353L	1357S	1357M	QTY	DESCRIPTION
1	553175-469	*	*	*	*	*	*	*	1	Arm Cover (Cpl.)
2	553026	*	*	*	*	*	*	*	1	Needle Bar Guard
3	544222-002	*	*	*	*	*	*	*	2	Screw
5	553009	*	*	*	*	*	*	*	1	Oil Pipe
7	553184	*	*	*	*	*	*	*	1	Oil Reservoir Cap
8	553005-469	*	*	*	*	*	*	*	1	Face Plate (Cpl.)
9	553182	*	*	*	*	*	*	*	1	Finger Guard
	553183	*	*	*	*	*	*	*	1	Finger Guard
10	414521	*	*	*	*	*	*	*	2	Screw
11	418480	*	*	*	*	*	*	*	1	Eye Guard (Cpl.)
12	544475	*	*	*	*	*	*	*	3	Screw
13	418481	*	*	*	*	*	*	*	1	Eye Guard Bracket
14	259830	*	*	*	*	*	*	*	1	Eye Guard
15	504063-451	*	*	*	*	*	*	*	19	Screw
16	553004	*	*	*	*	*	*	*	1	Oil Wick Guide Plate
17	540899	*	*	*	*	*	*	*	3	Retainer
18	553179-469	*	*	*	*	*	*	*	1	Pattern Wheel Cover (Cpl.)
19	553179-901	*	*	*	*	*	*	*	1	Pattern Wheel Cover
20	553131	*	*	*	*	*	*	*	1	Stud
21	553133	*	*	*	*	*	*	*	1	Knob
22	541164-001	*	*	*	*	*	*	*	1	Knob Nut
23	553132	*	*	*	*	*	*	*	1	Magnet
24	544214-005	*	*	*	*	*	*	*	8	Screw
25	553012	*	*	*	*	*	*	*	2	Bed Cover Spacer
26	553178-469	*	*	*	*	*	*	*	1	Bed Cover (Left)
27	553001-469	*	*	*	*	*	*	*	1	Bed Cover (Right) (Cpl.)
28	544202-001	*	*	*	*	*	*	*	1	Set Screw
29	553180	*	*	*	*	*	*	*	1	Magnet Catch
30	553187	*	*	*	*	*	*	*	1	Oil Reservoir Felt
31	553186	*	*	*	*	*	*	*	1	Oil Reservoir Cap
32	553002	*	*	*	*	*	*	*	2	Hinge (Cpl.)
33	504071	*	*	*	*	*	*	*	4	Screw
34	553176-469	*	*	*	*	*	*	*	1	Bed Cover (Front) (Cpl.)
35	553022-469	*	*	*	*	*	*	*	1	Bed Extension(Cpl.)
36	367125-451	*	*	*	*	*	*	*	1	Machine Support (Right) (Cpl.)
37	552992	*	*	*	*	*	*	*	1	Oil Wick (Cpl.) (Feed Driving Auxiliary Eccentric Lever)
38	553188	*	*	*	*	*	*	*	1	Oil Wick (Cpl.) (Arm Shaft Bushing Front)
39	553189	*	*	*	*	*	*	*	1	Oil Wick (Cpl.) (Arm Shaft Bushing Back)
40	553190	*	*	*	*	*	*	*	1	Oil Wick (Cpl.) (Needle Vibrating Lever)
41	553192	*	*	*	*	*	*	*	1	Oil Wick (Cpl.) (Bed Shaft Bushing Front)
42	553193	*	*	*	*	*	*	*	1	Oil Wick (Cpl.) (Bed Shaft Bushing Back)
43	543371	*	*	*	*	*	*	*	4	Retainer
44	542766-006	*	*	*	*	*	*	*	2	Retainer (2n)
45	542766-001	*	*	*	*	*	*	*	3	Retainer (3n)
46	553000	*	*	*	*	*	*	*	1	Cover
47	549230	*	*	*	*	*	*	*	1	Screw
48	553020	*	*	*	*	*	*	*	2	Sensor Cover
49	553021	*	*	*	*	*	*	*	1	Sensor Cover
50	553006	*	*	*	*	*	*	*	1	Oil Wick (Cpl.) (For Exhaust)
51	542766-004	*	*	*	*	*	*	*	2	Retainer (5N)
52	545268	*	*	*	*	*	*	*	1	Screw
53	541217	*	*	*	*	*	*	*	1	Washer
54										
55										
56										
57										
58										
59										
60										
61										
62										
63										
64										
65										
66										
67										
68										
69										
70										

BED SHAFT, RAPID FEED SHAFT, TENSION RELEASE



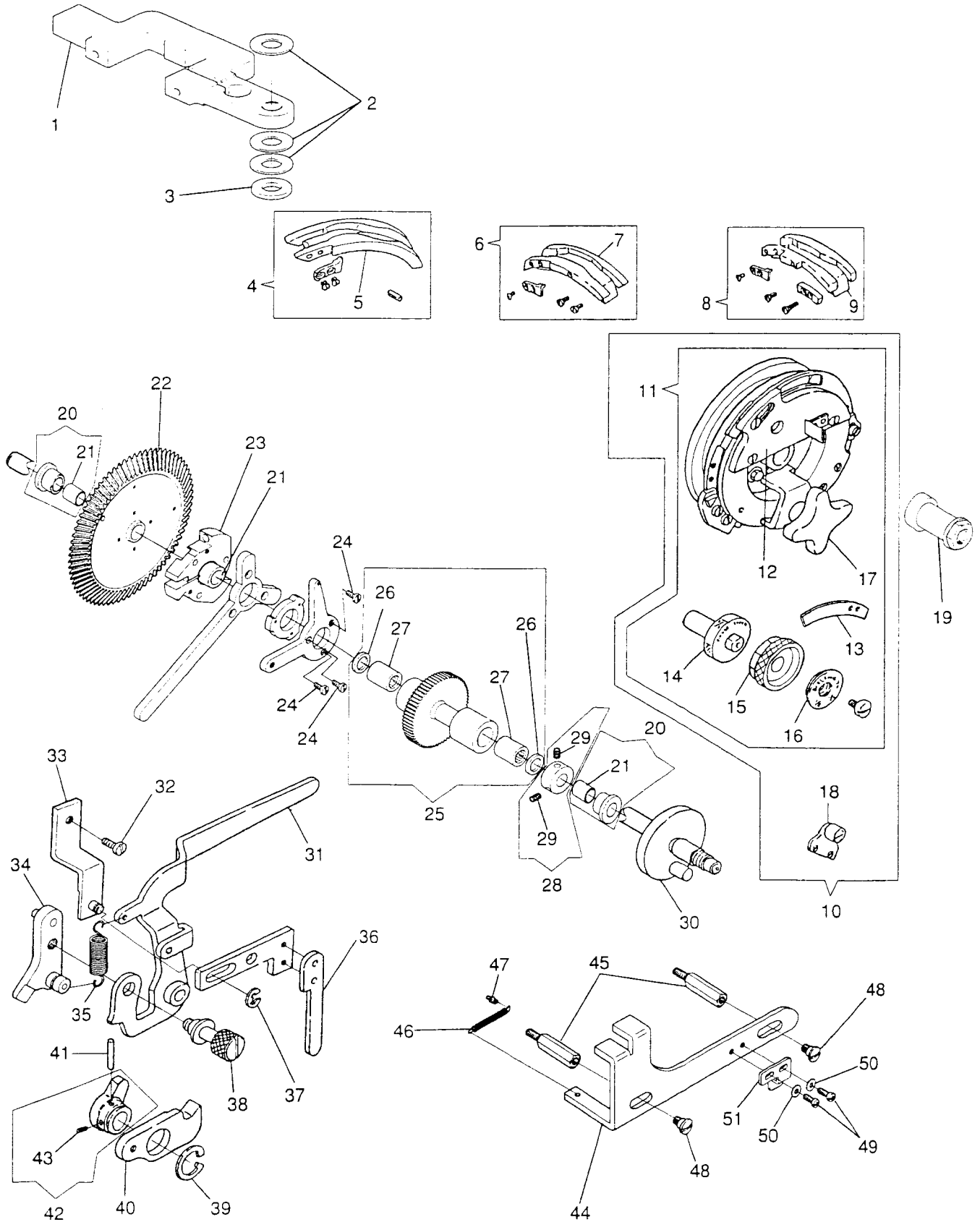
REF	PART NO.	1350	1351	1353S	1353M	1353L	1357S	1357M	QTY	DESCRIPTION
1	553123	*	*	*	*	*	*	*	1	Arm Shaft Bushing (Front) (Cpl.)
2	553125	*	*	*	*	*	*	*	1	Arm Shaft Bushing (Back) (Cpl.)
3	553024	*	*	*	*	*	*	*	1	Bed Shaft
4	553025	*	*	*	*	*	*	*	1	Bed Shaft Bushing (Back)
5	414685-053	*	*	*	*	*	*	*	3	Screw
6	544211-055	*	*	*	*	*	*	*	4	Screw
7	543804-002	*	*	*	*	*	*	*	4	Washer
8	553078	*	*	*	*	*	*	*	1	Bed Shaft Gear (Back)
9	553074	*	*	*	*	*	*	*	1	Bed Shaft Pulley (Cpl.)
10	414685-052	*	*	*	*	*	*	*	2	Screw
11	553077	*	*	*	*	*	*	*	1	Bearing Retaining Plate
12	553076	*	*	*	*	*	*	*	2	Bearing
13	553075	*	*	*	*	*	*	*	1	Bed Shaft Pulley
14	543869-011	*	*	*	*	*	*	*	1	Bearing Retaining Ring
15	553085	*	*	*	*	*	*	*	1	Spacer
16	553083-001	*	*	*	*	*	*	*	1	Electromagnetic Clutch (Cpl.)
17	553082	*	*	*	*	*	*	*	2	Sim
18	553130-001	*	*	*	*	*	*	*	1	Key Sim (T=0.05)
	553130-002	*	*	*	*	*	*	*	1	Key Sim (T=0.10)
20	553081	*	*	*	*	*	*	*	1	Key
21	553089	*	*	*	*	*	*	*	1	Bed Bracket (Back)
22	374108-001	*	*	*	*	*	*	*	4	Screw
23	553086	*	*	*	*	*	*	*	1	Sensor Plate (Cpl.)
24	553088	*	*	*	*	*	*	*	1	Collar
25	544209-007	*	*	*	*	*	*	*	2	Set Screw
26	553087	*	*	*	*	*	*	*	1	Sensor Plate
27	544211-051	*	*	*	*	*	*	*	2	Screw
28	544212-053	*	*	*	*	*	*	*	1	Screw
29	553056	*	*	*	*	*	*	*	2	Rapid Feed Shaft Bearing
30	553059	*	*	*	*	*	*	*	1	Rapid Feed Worm (Cpl.)
31	544209-007	*	*	*	*	*	*	*	2	Rapid Feed Worm Set Screw
32	553055	*	*	*	*	*	*	*	1	Rapid Feed Shaft
33	553057	*	*	*	*	*	*	*	1	Collar (Cpl.)
34	544209-007	*	*	*	*	*	*	*	2	Set Screw
35	553061	*	*	*	*	*	*	*	1	Rapid Shaft Gear (Cpl.)
36	544209-007	*	*	*	*	*	*	*	2	Set Screw
37	553195	*	*	*	*	*	*	*	1	Sensor Bracket
38	544214-001	*	*	*	*	*	*	*	2	Screw
39	553152	*	*	*	*	*	*	*	1	Shaft Collar Plate (Cpl.)
40	414685-001	*	*	*	*	*	*	*	3	Screw
41	553153	*	*	*	*	*	*	*	1	Collar Plate (Stop)
42	544209-005	*	*	*	*	*	*	*	2	Set Screw
43	553154	*	*	*	*	*	*	*	1	Collar
44	553147	*	*	*	*	*	*	*	1	Collar Plate (Eye)
45	544211-051	*	*	*	*	*	*	*	2	Screw
46	553071	*	*	*	*	*	*	*	1	Relay Board Bracket
47	544214-001	*	*	*	*	*	*	*	2	Screw
48	553134-001	*	*	*	*	*	*	*	1	Solenoid
49	544211-052	*	*	*	*	*	*	*	2	Screw
50	543808-002	*	*	*	*	*	*	*	1	Spring Pin
51	553137	*	*	*	*	*	*	*	1	Link
52	553135	*	*	*	*	*	*	*	1	Lever (Cpl.)
53	545304	*	*	*	*	*	*	*	1	Set Screw
54	553138	*	*	*	*	*	*	*	1	Shoulder Screw
55	553011	*	*	*	*	*	*	*	1	Bushing
56	367115	*	*	*	*	*	*	*	1	Shaft
57	553079	*	*	*	*	*	*	*	1	V-Belt (Motor) (Special)
58	540707	*	*	*	*	*	*	*	1	Oil Seal
59	552985	*	*	*	*	*	*	*	1	Relay Board Bracket
60	544212-001	*	*	*	*	*	*	*	3	Screw
61	553177	*	*	*	*	*	*	*	1	Bed Shaft Bushing (Back) Oil Guard
62	548740	*	*	*	*	*	*	*	2	Oil Packing
63										
64										
65										
66										
67										
68										
69										
70										

CUTTING MECH



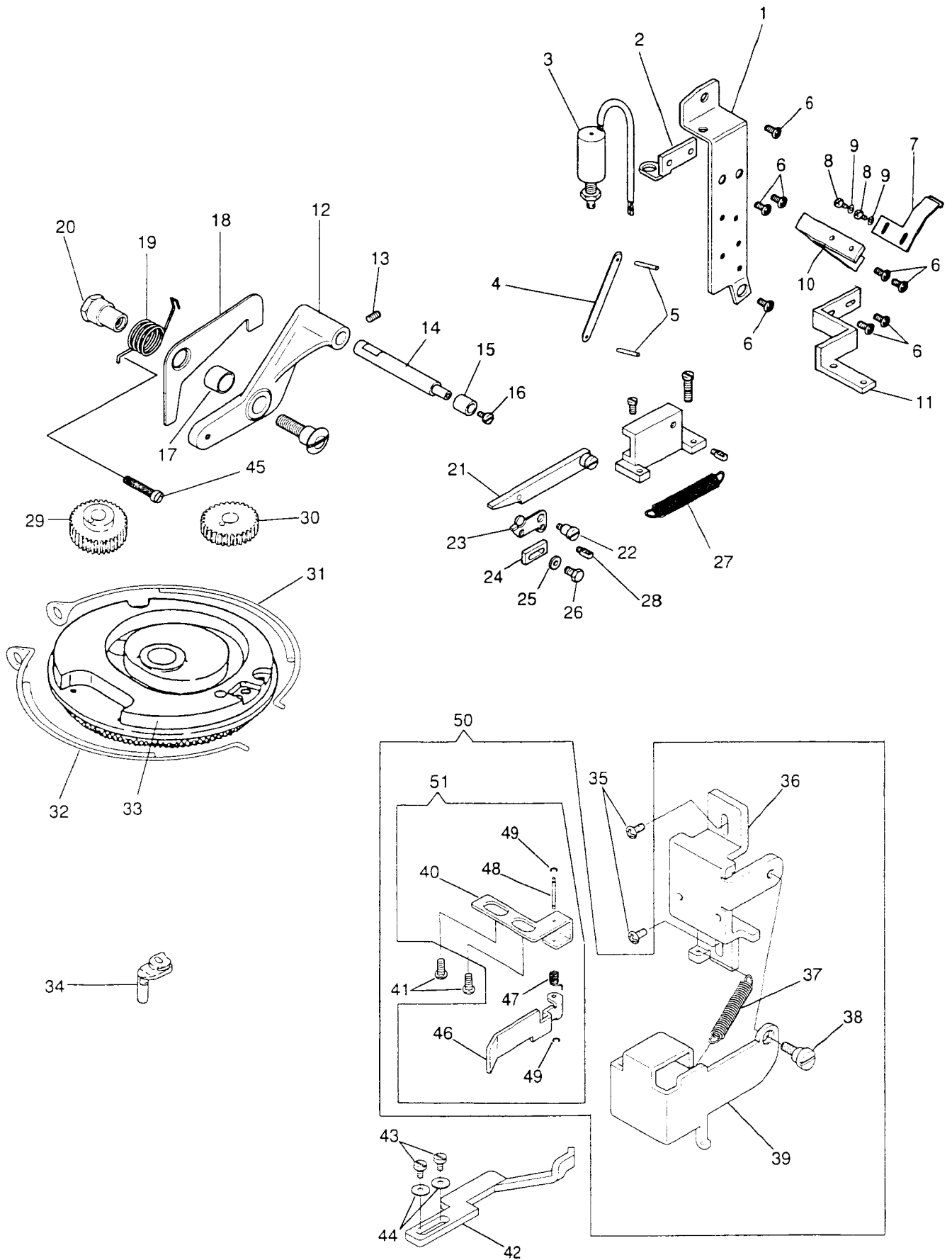
REF	PART NO.	1350	1351	1355	1359M	1359L	1357S	1357M	QTY	DESCRIPTION
1	548073	*	*	*	*	*	*	*	1	Cutting Lever (Upper)
	544604	*	*	*	*	*	*	*	1	Cutting Lever (Upper)
2	544512	*	*	*	*	*	*	*	1	Base Plate
	544601	*	*	*	*	*	*	*	1	Base Plate
3	553064	*	*	*	*	*	*	*	1	Cutting Lever (Lower)
4	548847	*	*	*	*	*	*	*	1	Lower Cord Controlling Arm
5	504063-451	*	*	*	*	*	*	*	1	Screw
6	548492	*	*	*	*	*	*	*	1	Position Pin
7	553109	*	*	*	*	*	*	*	1	Tension Pulley (Cpl.)
8	553110	*	*	*	*	*	*	*	1	Tension Pulley Shaft
9	418732	*	*	*	*	*	*	*	1	Tension Pulley
10	418477	*	*	*	*	*	*	*	1	Spacer
11	374108-001	*	*	*	*	*	*	*	2	Screw
12	543875-107	*	*	*	*	*	*	*	2	Washer
13	553111	*	*	*	*	*	*	*	1	Bracket
14	418475	*	*	*	*	*	*	*	1	Bearing
15	418476	*	*	*	*	*	*	*	2	Retaining Ring
16	545887-945	*	*	*	*	*	*	*	1	Bevel Gear (Cpl.)
17	504101	*	*	*	*	*	*	*	2	Set Screw
18	414650	*	*	*	*	*	*	*	2	Guide Screw
19	553034	*	*	*	*	*	*	*	1	Stopper
20	553196	*	*	*	*	*	*	*	1	Support (Back) (Cpl.)
21	548917	*	*	*	*	*	*	*	1	Spring
22	553033	*	*	*	*	*	*	*	1	Shaft
23	553106	*	*	*	*	*	*	*	1	Hand Wheel (Cpl.)
24	544209-005	*	*	*	*	*	*	*	2	Set Screw
25	553108	*	*	*	*	*	*	*	1	V-Belt (Cutting) (Special)
26	553043	*	*	*	*	*	*	*	1	Bevel Gear (Cpl.)
27	504101	*	*	*	*	*	*	*	2	Set Screw
28	553041	*	*	*	*	*	*	*	2	Gear Sim
29	553067	*	*	*	*	*	*	*	3	Spacer
30	367031	*	*	*	*	*	*	*	3	Bearing
31	374106-005	*	*	*	*	*	*	*	3	Screw
32	553105	*	*	*	*	*	*	*	1	Cutting Driving Shaft Pulley
33	543869-021	*	*	*	*	*	*	*	1	Retaining Ring
34	367028-002	*	*	*	*	*	*	*	1	Bearing Sim (T=0.2)
	367028-001	*	*	*	*	*	*	*	1	Bearing Sim (T=0.1)
35	553069	*	*	*	*	*	*	*	1	Key
36	553013-001	*	*	*	*	*	*	*	1	Electromagnetic Clutch
37	374108-002	*	*	*	*	*	*	*	6	Screw
38	548186	*	*	*	*	*	*	*	4	Position Pin
39	553112	*	*	*	*	*	*	*	2	Support (Front)
40	544211-056	*	*	*	*	*	*	*	1	Screw
41	272144	*	*	*	*	*	*	*	2	Bearing
42	553103	*	*	*	*	*	*	*	1	Collar (Cpl.)
43	544209-007	*	*	*	*	*	*	*	2	Set Screw
44	553102	*	*	*	*	*	*	*	1	Cutting Driving Shaft Worm
45	553113	*	*	*	*	*	*	*	1	Cutting Carrier Cam (Cpl.)
46	549399	*	*	*	*	*	*	*	1	Set Screw
47	548008	*	*	*	*	*	*	*	3	Position Pin
48	553090	*	*	*	*	*	*	*	1	Slide Block
49	553119	*	*	*	*	*	*	*	1	Cutting Lever (Upper) Cam (Cpl.)
50	504028	*	*	*	*	*	*	*	2	Set Screw
51	553117	*	*	*	*	*	*	*	1	Cutting Lever (Lower) Cam (Cpl.)
52	553121	*	*	*	*	*	*	*	1	Cutting Shaft
53	553097	*	*	*	*	*	*	*	1	Cutting Shaft Worm Wheel (Cpl.)
54	553098	*	*	*	*	*	*	*	1	Cutting Shaft Worm Wheel
55	553099	*	*	*	*	*	*	*	2	Spreader Cam
56	545250	*	*	*	*	*	*	*	2	Screw
57	553093	*	*	*	*	*	*	*	1	Closing Wheel
58	553094	*	*	*	*	*	*	*	1	Sensor Plate
59	544211-052	*	*	*	*	*	*	*	1	Screw
60	553100	*	*	*	*	*	*	*	1	Key
61	553066	*	*	*	*	*	*	*	1	Collar (Cpl.)
62	544209-007	*	*	*	*	*	*	*	2	Set Screw
63	548766	*	*	*	*	*	*	*	1	Cutting Block (Eye) (1 ")
	548838	*	*	*	*	*	*	*	1	Cutting Block (Eye) (7/8 ")
	544589	*	*	*	*	*	*	*	1	Cutting Block (Eye) (1 ")
	548769	*	*	*	*	*	*	*	1	Cutting Block (Eye) (1-3/8 ")
64	548886	*	*	*	*	*	*	*	1	Cutting Knife (Eye) (.120 " x .180 ")
	548935	*	*	*	*	*	*	*	1	Cutting Knife (Eye) (.126 " x .180 ")
	544599	*	*	*	*	*	*	*	1	Cutting Knife (Eye) (.120 " x .180 ")
65	418026	*	*	*	*	*	*	*	1	Washer
66	553185-001	*	*	*	*	*	*	*	(1)	Sim (T=0.1)
	553185-002	*	*	*	*	*	*	*	(1)	Sim (T=0.2)
67	552990	*	*	*	*	*	*	*	1	Electromagnetic Clutch Armature
68	552989	*	*	*	*	*	*	*	1	Electromagnetic Clutch Rotor
69	552988	*	*	*	*	*	*	*	1	Oil Guard
70	552987	*	*	*	*	*	*	*	1	Oil Guard Spacer
71	552986	*	*	*	*	*	*	*	1	Oil Guard Tube
72	553122	*	*	*	*	*	*	*	2	Cutting Driving Shaft Bushing

NEEDLE VIBRATING MECH, PATTERN WHEEL MECH, CLAMP LIFTING MECH



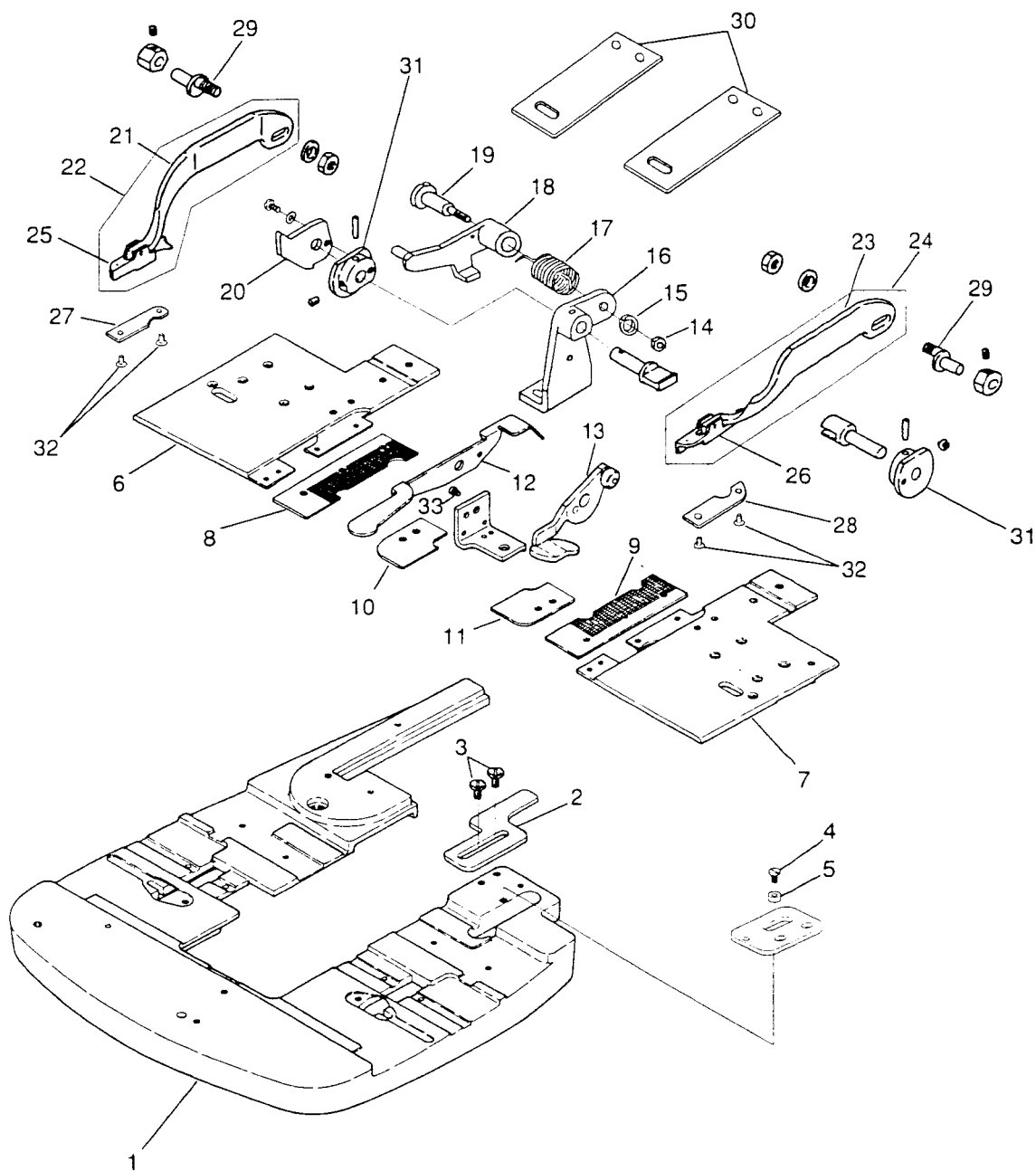
REF	PART NO.	1350	1351	1353S	1353M	1353L	1357S	1357M	QTY.	DESCRIPTION
1	367186	*	*	*	*	*	*	*	1	Needle Vibrating Lever (Cpl.)
2	543815-012	*	*	*	*	*	*	*	3	Washer
3	553023	*	*	*	*	*	*	*	1	Spacer
4	548978	*	*	*	*	*	*	*	1	Cam Block (Eye) (.140 x.190) (Cpl.)
	548981	*	*	*	*	*	*	*	1	Cam Block (Eye) (.140 x.190) (Cpl.)
5	548389	*	*	*	*	*	*	*	1	Cam Block (Eye) (.140 x.190)
	548857	*	*	*	*	*	*	*	1	Cam Block (Eye) (.140 x.190)
6	548987	*	*	*	*	*	*	*	1	Cam Block (1st Side) (1/4") (Cpl.)
	548989	*	*	*	*	*	*	*	1	Cam Block (1st Side) (1/4") (Cpl.)
7	548392	*	*	*	*	*	*	*	1	Cam Block (1st Side) (1/4")
	548393	*	*	*	*	*	*	*	1	Cam Block (1st Side) (1/4")
8	548988	*	*	*	*	*	*	*	1	Cam Block (2nd Side) (1/4") (Cpl.)
	548990	*	*	*	*	*	*	*	1	Cam Block (2nd Side) (1/4") (Cpl.)
9	548802	*	*	*	*	*	*	*	1	Cam Block (1st Side) (1/4")
	548395	*	*	*	*	*	*	*	1	Cam Block (1st Side) (1/4")
10	552933-467	*	*	*	*	*	*	*	1	Pattern Wheel And Operating Roller (Cpl.)
	552935-467	*	*	*	*	*	*	*	1	Pattern Wheel And Operating Roller (Cpl.)
	552937-467	*	*	*	*	*	*	*	1	Pattern Wheel And Operating Roller (Cpl.)
	552939-467	*	*	*	*	*	*	*	1	Pattern Wheel And Operating Roller (Cpl.)
11	552934-467	*	*	*	*	*	*	*	1	Pattern Wheel (Cpl.)
	552936-467	*	*	*	*	*	*	*	1	Pattern Wheel (Cpl.)
	552938-467	*	*	*	*	*	*	*	1	Pattern Wheel (Cpl.)
	552940-467	*	*	*	*	*	*	*	1	Pattern Wheel (Cpl.)
12	544611	*	*	*	*	*	*	*	1	Pattern Wheel Ring Clamping Retainer Plate
13	548410	*	*	*	*	*	*	*	1	Start Block Adjustable
	544612	*	*	*	*	*	*	*	1	Start Block Adjustable
14	548398	*	*	*	*	*	*	*	1	Index Disk
	544608	*	*	*	*	*	*	*	1	Index Disk
	548859	*	*	*	*	*	*	*	1	Index Disk
15	548399	*	*	*	*	*	*	*	1	Index Disk (Bar)
	544609	*	*	*	*	*	*	*	1	Index Disk (Bar)
	548860	*	*	*	*	*	*	*	1	Index Disk (Bar)
16	548400	*	*	*	*	*	*	*	1	Index Disk Bar Washer
	544610	*	*	*	*	*	*	*	1	Index Disk Bar Washer
	548861	*	*	*	*	*	*	*	1	Index Disk Bar Washer
17	553018-467	*	*	*	*	*	*	*	1	Clamping Nut
18	548654	*	*	*	*	*	*	*	1	Roller (Cpl.)
19	553017	*	*	*	*	*	*	*	1	Nut
20	553142	*	*	*	*	*	*	*	2	Bushing (Cpl.)
21	553144	*	*	*	*	*	*	*	2	Bushing Insert
22	553124	*	*	*	*	*	*	*	1	Gear (Cpl.)
	553126	*	*	*	*	*	*	*	1	Gear (Cpl.)
23	553080	*	*	*	*	*	*	*	1	Roller Carrier (Cpl.)
24	544281	*	*	*	*	*	*	*	3	Screw
25	553148	*	*	*	*	*	*	*	1	Rapid Feed Worm Wheel (Cpl.)
26	553151	*	*	*	*	*	*	*	2	Clutch Guard
27	553150	*	*	*	*	*	*	*	2	One Way Clutch
28	553145	*	*	*	*	*	*	*	1	Collar (Cpl.)
29	544209-007	*	*	*	*	*	*	*	2	Set Screw
30	553140	*	*	*	*	*	*	*	1	Pattern Wheel Shaft (Cpl.)
31	367070	*	*	*	*	*	*	*	1	Lever (Cpl.)
32	374090	*	*	*	*	*	*	*	1	Screw
33	367052	*	*	*	*	*	*	*	1	Bracket (Cpl.)
34	367145	*	*	*	*	*	*	*	1	Ca/Cb Converting Plate (Cpl.)
35	367141	*	*	*	*	*	*	*	1	Spring
36	367013	*	*	*	*	*	*	*	1	Lever Adjustable
37	543801-006	*	*	*	*	*	*	*	1	Retaining Ring
38	374469	*	*	*	*	*	*	*	1	Shoulder Screw
39	543818-012	*	*	*	*	*	*	*	1	Retaining Plate
40	367008	*	*	*	*	*	*	*	1	Plate
41	543841-001	*	*	*	*	*	*	*	1	Position Pin
42	553115	*	*	*	*	*	*	*	1	Opening Cam (Cpl.)
43	545174-452	*	*	*	*	*	*	*	1	Set Screw
44	553163	*	*	*	*	*	*	*	1	Link
45	553165	*	*	*	*	*	*	*	2	Stud
46	541639	*	*	*	*	*	*	*	1	Spring
47	545264	*	*	*	*	*	*	*	1	Screw Eye
48	374087	*	*	*	*	*	*	*	2	Shoulder Screw
49	544211-051	*	*	*	*	*	*	*	2	Screw
50	543804-002	*	*	*	*	*	*	*	2	Washer
51	553164	*	*	*	*	*	*	*	1	Sensor Plate

SPREAD MECH, CLOSING LEVER, FEED WHEEL, START MECH



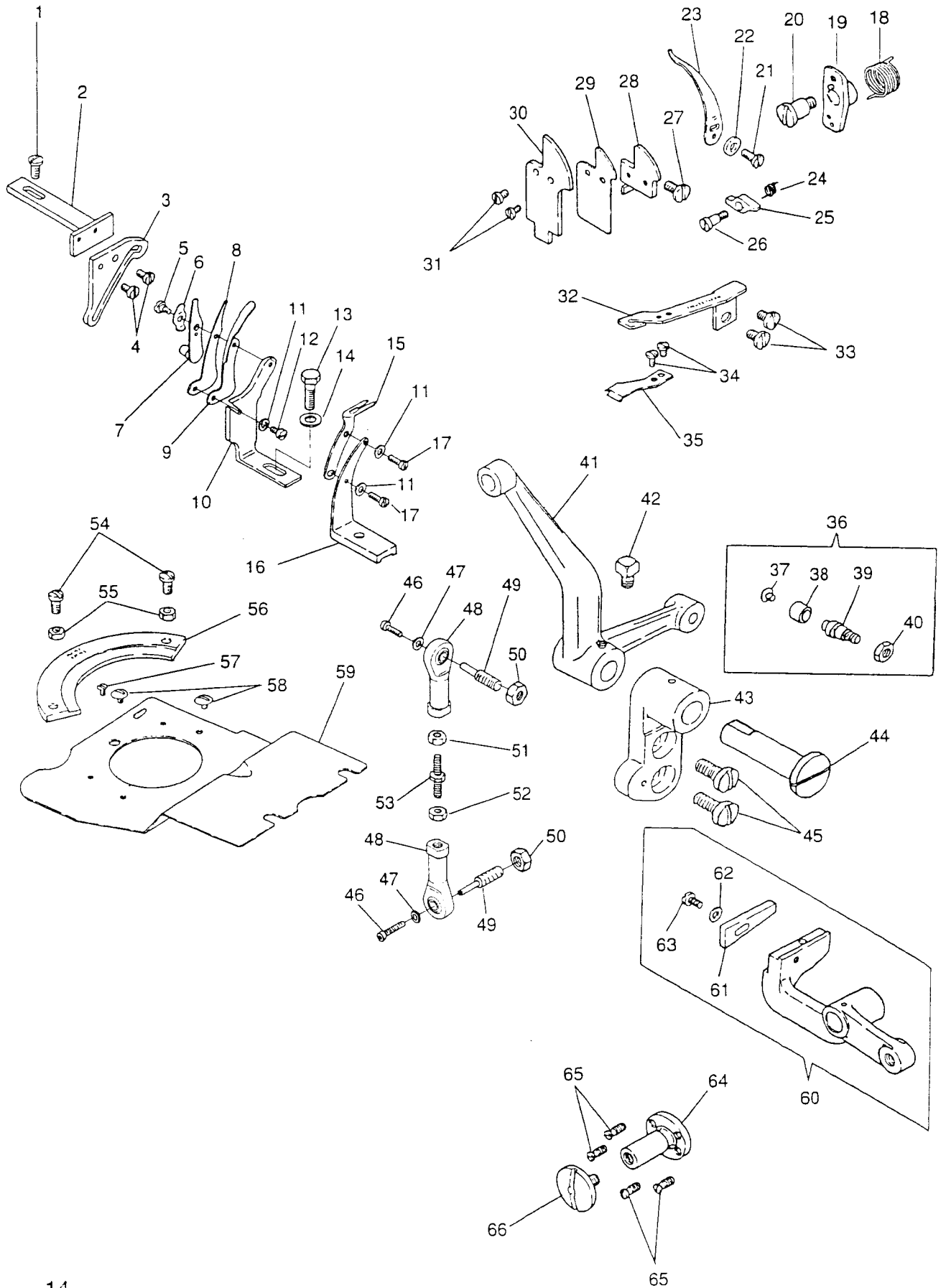
REF	PART NO.	1350	1351	1353S	1353M	1353L	1357S	1357M	QTY.	DESCRIPTION
1	553174	*	*	*	*	*	*	*	1	Bracket
2	553173	*	*	*	*	*	*	*	1	Solenoid Bracket
3	553084-001	*	*	*	*	*	*	*	1	Solenoid
4	553172	*	*	*	*	*	*	*	1	Link
5	543820-004	*	*	*	*	*	*	*	2	Spring Pin
6	544214-001	*	*	*	*	*	*	*	8	Screw
7	553096	*	*	*	*	*	*	*	1	Stopper
8	544211-001	*	*	*	*	*	*	*	2	Screw
9	543804-002	*	*	*	*	*	*	*	2	Washer
10	553095	*	*	*	*	*	*	*	1	Bracket
11	553194	*	*	*	*	*	*	*	1	Sensor Bracket
12	553091	*	*	*	*	*	*	*	1	Closing Lever
13	544209-007	*	*	*	*	*	*	*	1	Set Screw
14	553092	*	*	*	*	*	*	*	1	Roller Shaft
15	548056	*	*	*	*	*	*	*	1	Roller
16	545239	*	*	*	*	*	*	*	1	Cap Screw
17	553030	*	*	*	*	*	*	*	1	Spacer
18	553029	*	*	*	*	*	*	*	1	Safety Lever
19	553032	*	*	*	*	*	*	*	1	Spring
20	553028	*	*	*	*	*	*	*	1	Nut
21	553168	*	*	*	*	*	*	*	1	Spreader Lever (Cpl.)
22	545294	*	*	*	*	*	*	*	1	Shoulder Screw
23	553170	*	*	*	*	*	*	*	1	Spreader Lever Releaser
24	553171	*	*	*	*	*	*	*	1	Adj. Plate
25	548061	*	*	*	*	*	*	*	1	Washer
26	545304	*	*	*	*	*	*	*	1	Screw
27	367141	*	*	*	*	*	*	*	1	Spring
28	545264	*	*	*	*	*	*	*	1	Screw Eye
29	548714	*	*	*	*	*	*	*	1	Feed Driving Gear (18 Teeth)
	548716	*	*	*	*	*	*	*	1	Feed Driving Gear (22 Teeth)
	548717	*	*	*	*	*	*	*	1	Feed Driving Gear (32 Teeth)
	548718	*	*	*	*	*	*	*	1	Feed Driving Gear (33 Teeth)
	548719	*	*	*	*	*	*	*	1	Feed Driving Gear (34 Teeth)
	548722	*	*	*	*	*	*	*	1	Feed Driving Gear (38 Teeth)
	548721	*	*	*	*	*	*	*	1	Feed Driving Gear (37 Teeth)
30	548504	*	*	*	*	*	*	*	1	Stitch Regulating Gear (33 Teeth)
	548506	*	*	*	*	*	*	*	1	Stitch Regulating Gear (38 Teeth)
31	553128	*	*	*	*	*	*	*	1	Friction (Back) (Cpl.)
32	553129	*	*	*	*	*	*	*	1	Friction (Front) (Cpl.)
33	548175	*	*	*	*	*	*	*	1	Feed Wheel
	548843	*	*	*	*	*	*	*	1	Feed Wheel
	544605	*	*	*	*	*	*	*	1	Feed Wheel
34	544543	*	*	*	*	*	*	*	1	Throat Plate
	544620	*	*	*	*	*	*	*	1	Throat Plate
35	545082-452	*	*	*	*	*	*	*	2	Screw
36	553015	*	*	*	*	*	*	*	1	Bracket
37	544665	*	*	*	*	*	*	*	1	Spring
38	374057	*	*	*	*	*	*	*	1	Shoulder Screw
39	553042	*	*	*	*	*	*	*	1	Sensor Plate
40	552982	*	*	*	*	*	*	*	1	Limit Plate Bracket
41	544212-001	*	*	*	*	*	*	*	2	Screw
42	552999	*	*	*	*	*	*	*	1	Limit Plate Releaser
43	549137	*	*	*	*	*	*	*	2	Screw
44	543803-002	*	*	*	*	*	*	*	2	Washer
45	414661	*	*	*	*	*	*	*	1	Screw
46	552981	*	*	*	*	*	*	*	1	Limit Plate
47	548348	*	*	*	*	*	*	*	1	Spring
48	552983	*	*	*	*	*	*	*	1	Hinge Pin
49	543860-013	*	*	*	*	*	*	*	2	Retaining Ring
50	553031	*	*	*	*	*	*	*	1	Start Sensor (Cpl.)
51	552984	*	*	*	*	*	*	*	1	Start Sensor Limit (Cpl.)
52										
53										
54										
55										
56										
57										
58										
59										
60										

CARRIER, SPREAD MECH



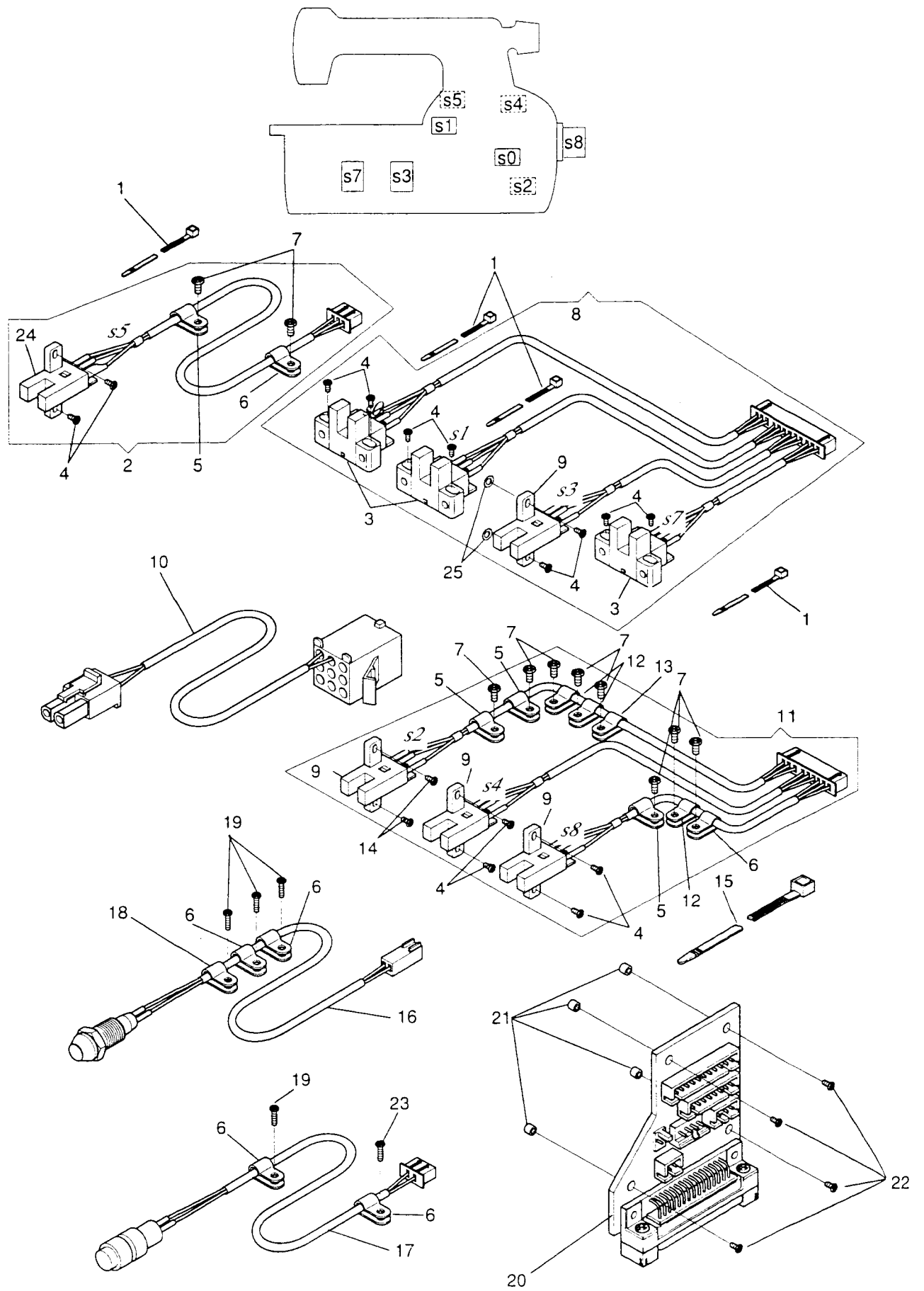
REF	PART NO.	1350	1351	1353S	1353M	1353L	1357S	1357M	QTY	DESCRIPTION
1	548583-469	*	*	*	*	*	*	*	1	Work Clamp Carrier
2	553027	*	*	*	*	*	*	*	1	Lever Plate
3	549164-451	*	*	*	*	*	*	*	2	Screw
4	545314	*	*	*	*	*	*	*	1	Screw
5	548773	*	*	*	*	*	*	*	1	Washer
6	548572-453	*	*	*	*	*	*	*	1	Base (Left)
7	548573-453	*	*	*	*	*	*	*	1	Base (Right)
8	548685-453	*	*	*	*	*	*	*	1	Clamping Plate (Left)
	548877-453	*	*	*	*	*	*	*	1	Clamping Plate (Left)
	367177-453	*	*	*	*	*	*	*	1	Clamping Plate (Left)
9	548686-453	*	*	*	*	*	*	*	1	Clamping Plate (Right)
	548879-453	*	*	*	*	*	*	*	1	Clamping Plate (Right)
	367178-453	*	*	*	*	*	*	*	1	Clamping Plate (Right)
10	548751-453	*	*	*	*	*	*	*	1	Clamping Plate Cover (Left)
11	548888-453	*	*	*	*	*	*	*	1	Clamping Plate Cover (Right)
12	552991-453	*	*	*	*	*	*	*	1	Starting Lever
13	548606-453	*	*	*	*	*	*	*	1	Closing Lever (Cpl.)
14	545409	*	*	*	*	*	*	*	1	Nut
15	546698	*	*	*	*	*	*	*	1	Washer
16	544648	*	*	*	*	*	*	*	1	Clamp Arm Bracket (Left) (Cpl.)
17	544656	*	*	*	*	*	*	*	1	Spring
18	544652	*	*	*	*	*	*	*	1	Pawl (Cpl.)
19	544267	*	*	*	*	*	*	*	1	Hinge Screw
20	544650	*	*	*	*	*	*	*	1	Lever
21	544530	*	*	*	*	*	*	*	1	Work Clamp Arm (Left)
22	544678	*	*	*	*	*	*	*	1	Work Clamp Arm (Left)
	544685	*	*	*	*	*	*	*	1	Work Clamp Arm (Left)
23	548558	*	*	*	*	*	*	*	1	Work Clamp Arm (Right)
24	544679	*	*	*	*	*	*	*	1	Work Clamp Arm (Right)
	544687	*	*	*	*	*	*	*	1	Work Clamp Arm (Right)
25	548687	*	*	*	*	*	*	*	1	Work Clamp Check (Left)
	548889	*	*	*	*	*	*	*	1	Work Clamp Check (Left)
	544613	*	*	*	*	*	*	*	1	Work Clamp Check (Left)
26	544532	*	*	*	*	*	*	*	1	Work Clamp Check (Right)
	548890	*	*	*	*	*	*	*	1	Work Clamp Check (Right)
	544614	*	*	*	*	*	*	*	1	Work Clamp Check (Right)
27	548893	*	*	*	*	*	*	*	1	Work Clamp Check Plate (Left)
	544615	*	*	*	*	*	*	*	1	Work Clamp Check Plate (Left)
	544583	*	*	*	*	*	*	*	1	Work Clamp Check Plate (Left)
28	548894	*	*	*	*	*	*	*	1	Work Clamp Check Plate (Right)
	544616	*	*	*	*	*	*	*	1	Work Clamp Check Plate (Right)
	544584	*	*	*	*	*	*	*	1	Work Clamp Check Plate (Right)
29	544688	*	*	*	*	*	*	*	2	Work Clamp Arm Hinge Stud
	544674	*	*	*	*	*	*	*	2	Work Clamp Arm Hinge Stud
30	548567	*	*	*	*	*	*	*	2	Work Clamp Arm Pressure Spring
	548876	*	*	*	*	*	*	*	2	Work Clamp Arm Pressure Spring
31	548561	*	*	*	*	*	*	*	2	Work Clamp Arm Closing Cam
	544619	*	*	*	*	*	*	*	2	Work Clamp Arm Closing Cam
32	549208	*	*	*	*	*	*	*	4	Work Clamp Check Plate Screw
33	545252	*	*	*	*	*	*	*	1	Screw
34										
35										
36										
37										
38										
39										
40										
41										
42										
43										
44										
45										
46										
47										
48										
49										
50										
51										
52										
53										

THREAD AND CORD CUTTING MECH



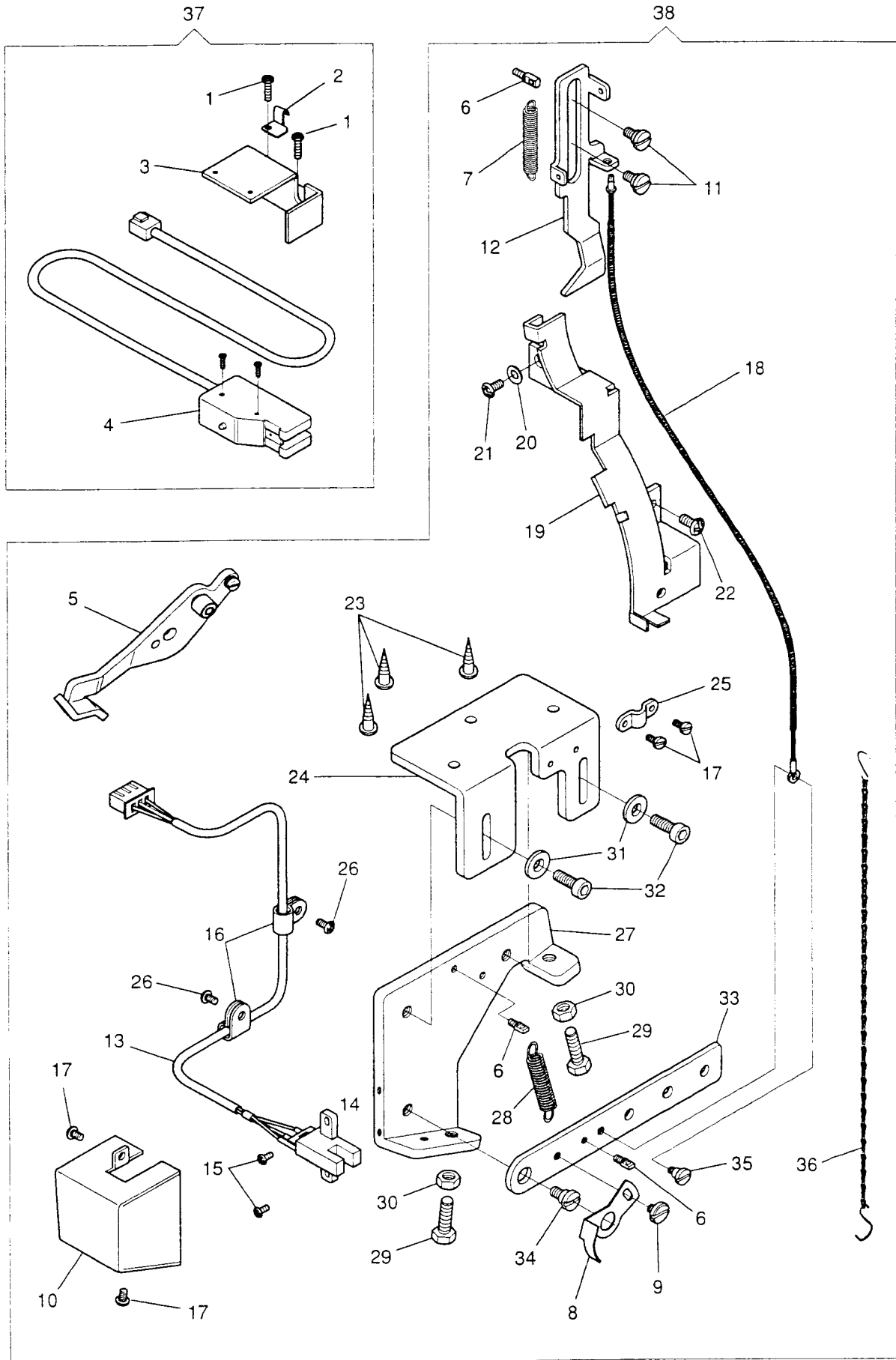
REF	PART NO.	1350	1351	1353S	1353M	1353L	1357S	1357M	QTY	DESCRIPTION
1	549164			*	*	*	*	*	1	Screw
2	548867			*	*	*	*	*	1	Bracket
3	253774			*	*	*	*	*	1	Cam Plate
4	545314			*	*	*	*	*	2	Screw
5	549165			*	*	*	*	*	1	Hinge Screw
6	253653			*	*	*	*	*	1	Spring
7	253647			*	*	*	*	*	1	Cutting Blade (Movable) (Cpl.)
8	548865			*	*	*	*	*	1	Cutting Blade (Stationary)
9	253775			*	*	*	*	*	1	Cutting Blade Guard
10	548866			*	*	*	*	*	1	Bracket
11	548406			*	*	*	*	*	3	Washer
12	545325			*	*	*	*	*	1	Screw
13	549163			*	*	*	*	*	1	Screw
14	548061			*	*	*	*	*	1	Washer
15	548851			*	*	*	*	*	1	Loop Remover
16	548852			*	*	*	*	*	1	Bracket
17	504112			*	*	*	*	*	2	Screw
18	254112			*	*	*	*	*	1	Spring
19	548846			*	*	*	*	*	1	Bracket
20	549160			*	*	*	*	*	1	Hinge Screw
21	504051			*	*	*	*	*	1	Screw
22	548406			*	*	*	*	*	1	Washer
23	548845			*	*	*	*	*	1	Looper Thread Pull-Off
24	253623			*	*	*	*	*	1	Spring
25	253622			*	*	*	*	*	1	Pawl
26	549161			*	*	*	*	*	1	Hinge Screw
27	545314			*	*	*	*	*	1	Screw
28	548853			*	*	*	*	*	1	Wiper Bracket
29	548855			*	*	*	*	*	1	Wiper Plate
30	548854			*	*	*	*	*	1	Wiper Leather
31	229			*	*	*	*	*	2	Screw
32	548849			*	*	*	*	*	1	Bracket
33	545307			*	*	*	*	*	2	Screw
34	549162			*	*	*	*	*	2	Screw
35	548848			*	*	*	*	*	1	Spring
36	548871			*	*	*	*	*	1	Roller (Cpl.)
37	549166			*	*	*	*	*	1	Cap Screw
38	201873			*	*	*	*	*	1	Roller
39	548872			*	*	*	*	*	1	Stud
40	545418			*	*	*	*	*	1	Nut
41	548868			*	*	*	*	*	1	Lever (Cpl.)
42	545143			*	*	*	*	*	1	Set Screw
43	548869			*	*	*	*	*	1	Bracket
44	253659			*	*	*	*	*	1	Hinge Stud
45	504098			*	*	*	*	*	2	Screw
46	414749-003			*	*	*	*	*	2	Screw
47	543804-012			*	*	*	*	*	2	Washer
48	552909-002			*	*	*	*	*	2	End Bearing
49	374551			*	*	*	*	*	2	Bearing Ball Screw
50	545424			*	*	*	*	*	2	Nut
51	414774			*	*	*	*	*	1	Nut
52	541166-001			*	*	*	*	*	1	Nut
53	552903			*	*	*	*	*	1	Connection Screw
54	504078			*	*	*	*	*	2	Screw
55	545442			*	*	*	*	*	2	Nut
56	254070			*	*	*	*	*	1	Cam Plate
57	549159			*	*	*	*	*	1	Screw
58	545299			*	*	*	*	*	2	Screw
59	548844			*	*	*	*	*	1	Chip Guard
60	548873			*	*	*	*	*	1	Lever (Cpl.)
61	253693			*	*	*	*	*	1	Adjusting Plate
62	548167			*	*	*	*	*	1	Washer
63	504063-451			*	*	*	*	*	1	Screw
64	548874			*	*	*	*	*	1	Bracket
65	545301			*	*	*	*	*	4	Screw
66	545257			*	*	*	*	*	1	Cap Screw
67										
68										
69										
70										

SENSOR AND SWITCH



REF	PART NO.	1350	1351	1353S	1353M	1353L	1357S	1357M	QTY	DESCRIPTION
1	540899	*	*	*	*	*	*	*	4	Retainer
2	553039	*	*	*	*	*	*	*	1	Start Sensor, Cord, Connector (Cpl.)
3	369354	*	*	*	*	*	*	*	3	Sensor (Cpl.)
4	544211-005	*	*	*	*	*	*	*	14	Screw
5	542766-006	*	*	*	*	*	*	*	4	Retainer (2n)
6	542766-004	*	*	*	*	*	*	*	6	Retainer (5n)
7	504063-451	*	*	*	*	*	*	*	10	Screw
8	553036	*	*	*	*	*	*	*	1	Sensor, Cord, Connector (Cpl.)
9	369355	*	*	*	*	*	*	*	4	Sensor (Cpl.)
10	553019	*	*	*	*	*	*	*	1	Relay Cord (Cpl.)
11	553037	*	*	*	*	*	*	*	1	Sensor, Cord, Connector (Cpl.)
12	542766-002	*	*	*	*	*	*	*	3	Retainer (4n)
13	542766-003	*	*	*	*	*	*	*	1	Retainer (7n)
14	544211-003	*	*	*	*	*	*	*	2	Screw
15	411584	*	*	*	*	*	*	*	1	Retainer
16	553047	*	*	*	*	*	*	*	1	Led, Cord, Connector (Cpl.)
17	553181	*	*	*	*	*	*	*	1	Stop Switch, Cord, Connector (Cpl.)
18	542766-001	*	*	*	*	*	*	*	1	Retainer (3n)
19	544222-002	*	*	*	*	*	*	*	4	Screw
20	553198	*	*	*	*	*	*	*	1	Sensor Cord Relay Board (Cpl.)
21	553199	*	*	*	*	*	*	*	4	Spacer
22	544211-004	*	*	*	*	*	*	*	4	Screw
23	544212-002	*	*	*	*	*	*	*	1	Screw
24	369359	*	*	*	*	*	*	*	1	Sensor (Cpl.)
25	543804-002	*	*	*	*	*	*	*	2	Washer
26										
27										
28										
29										
30										
31										
32										
33										
34										
35										
36										
37										
38										
39										
40										
41										
42										
43										
44										
45										
46										
47										
48										
49										
50										
51										
52										
53										
54										
55										
56										
57										
58										
59										
60										
61										
62										
63										
64										
65										
66										
67										
68										
69										
70										

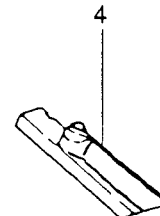
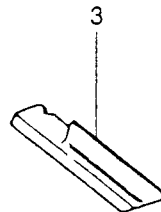
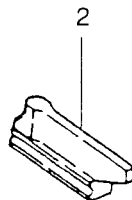
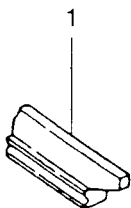
OPTION



REF	PART NO.	1350	1351	1353S	1353M	1353I	1357S	1357M	QTY	DESCRIPTION
1	544222-002	*	*	*	*	*	*	*	2	Screw
2	418597	*	*	*	*	*	*	*	1	Retainer
3	553038	*	*	*	*	*	*	*	1	Bracket
4	553045-001	*	*	*	*	*	*	*	1	Thread Detector (Cpl.) (24V)
	553045-002	*	*	*	*	*	*	*	1	Thread Detector (Cpl.) (12V)
5	553167	*	*	*	*	*	*	*	1	Closing Lever (Cpl.)
6	545264	*	*	*	*	*	*	*	3	Screw Eye
7	553070	*	*	*	*	*	*	*	1	Spring
8	552997	*	*	*	*	*	*	*	1	Sensor Plate
9	374063	*	*	*	*	*	*	*	1	Screw
10	552998	*	*	*	*	*	*	*	1	Cover
11	545282	*	*	*	*	*	*	*	2	Shoulder Screw
12	553155	*	*	*	*	*	*	*	1	Pre-Clamp Lever
13	369388	*	*	*	*	*	*	*	1	Start Sensor (Cpl.)
14	369359	*	*	*	*	*	*	*	1	Sensor (Cpl.)
15	544211-005	*	*	*	*	*	*	*	2	Screw
16	542766-006	*	*	*	*	*	*	*	2	Retainer (2n)
17	545314	*	*	*	*	*	*	*	4	Screw
18	553157	*	*	*	*	*	*	*	1	Wire Guide Tube
19	553158	*	*	*	*	*	*	*	1	Bracket
20	543875-006	*	*	*	*	*	*	*	1	Washer
21	544449	*	*	*	*	*	*	*	1	Screw
22	544214-053	*	*	*	*	*	*	*	1	Screw
23	549296	*	*	*	*	*	*	*	3	Screw
24	553159	*	*	*	*	*	*	*	1	Bracket (Fix)
25	543327	*	*	*	*	*	*	*	1	Clamp
26	504063-451	*	*	*	*	*	*	*	2	Screw
27	553160	*	*	*	*	*	*	*	1	Bracket (Adjust)
28	553068	*	*	*	*	*	*	*	1	Spring
29	544499-056	*	*	*	*	*	*	*	2	Screw
30	541167-001	*	*	*	*	*	*	*	2	Nut
31	543875-107	*	*	*	*	*	*	*	2	Washer
32	374108-001	*	*	*	*	*	*	*	2	Screw
33	553161	*	*	*	*	*	*	*	1	Lever
34	545356	*	*	*	*	*	*	*	1	Shoulder Screw
35	544144	*	*	*	*	*	*	*	1	Shoulder Screw
36	553162	*	*	*	*	*	*	*	1	Chain (Cpl.)
37	553048-001	*	*	*	*	*	*	*	1	Thread Detector Bracket (Cpl.) (24V)
	553048-002	*	*	*	*	*	*	*	1	Thread Detector Bracket (Cpl.) (12V)
38	552980	*	*	*	*	*	*	*	1	Pre-Clamp (Cpl.)
39										
40										
41										
42										
43										
44										
45										
46										
47										
48										
49										
50										
51										
52										
53										
54										
55										
56										
57										
58										
59										
60										
61										
62										
63										
64										
65										
66										
67										
68										
69										
70										

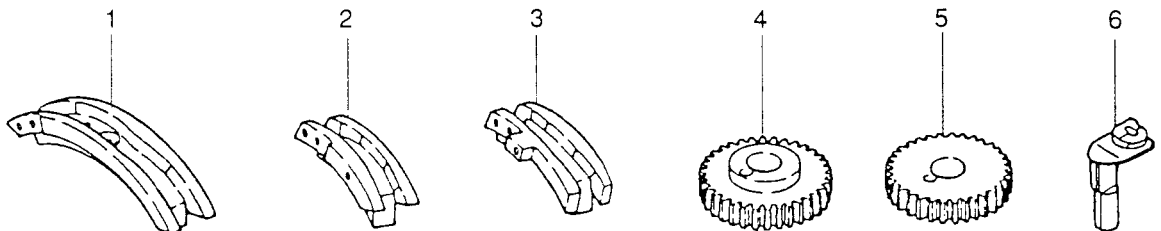
FITTINGS

REF	PART NO.	1350	1351	1352S	1353M	1353L	1357S	1357M	QTY	DESCRIPTION
1	548752	*	*			*			1	Cutting Block (Straight) (1/2")
	548753	*	*			*			1	Cutting Block (Straight) (5/8")
	548754	*	*			*			1	Cutting Block (Straight) (3/4")
	548755	*	*			*			1	Cutting Block (Straight) (7/8")
	548756	*	*			*			1	Cutting Block (Straight) (1")
	548757	*	*			*			1	Cutting Block (Straight) (1 1/8")
	548758	*	*			*			1	Cutting Block (Straight) (1 1/4")
	548759	*	*			*			1	Cutting Block (Straight) (1 3/8")
	548760	*	*			*			1	Cutting Block (Straight) (1 1/2")
	548761	*	*			*			1	Cutting Block (Straight) (1 5/8")
	548839			*		*			1	Cutting Block (Straight) (1/2")
	548840			*		*			1	Cutting Block (Straight) (5/8")
	548841			*		*			1	Cutting Block (Straight) (3/4")
	548842			*		*			1	Cutting Block (Straight) (7/8")
	544592			*		*			1	Cutting Block (Straight) (1/2")
	544593			*		*			1	Cutting Block (Straight) (5/8")
	544594			*		*			1	Cutting Block (Straight) (3/4")
	544595			*		*			1	Cutting Block (Straight) (7/8")
	544596			*		*			1	Cutting Block (Straight) (1")
	544597			*		*			1	Cutting Block (Straight) (1 1/8")
	544598			*		*			1	Cutting Block (Straight) (1 1/4")
2	548762	*	*			*			1	Cutting Block (Eye) (1/2")
	548763	*	*			*			1	Cutting Block (Eye) (5/8")
	548764	*	*			*			1	Cutting Block (Eye) (3/4")
	548765	*	*			*			1	Cutting Block (Eye) (7/8")
	548766	*	*			*			1	Cutting Block (Eye) (1")
	548767	*	*			*			1	Cutting Block (Eye) (1 1/8")
	548768	*	*			*			1	Cutting Block (Eye) (1 1/4")
	548769	*	*			*			1	Cutting Block (Eye) (1 3/8")
	548770	*	*			*			1	Cutting Block (Eye) (1 1/2")
	548771	*	*			*			1	Cutting Block (Eye) (1 5/8")
	548835			*		*			1	Cutting Block (Eye) (1/2")
	548836			*		*			1	Cutting Block (Eye) (5/8")
	548837			*		*			1	Cutting Block (Eye) (3/4")
	548838			*		*			1	Cutting Block (Eye) (7/8")
	548991			*		*			1	Cutting Block (Eye) (1")
	544585			*		*			1	Cutting Block (Eye) (1/2")
	544586			*		*			1	Cutting Block (Eye) (5/8")
	544587			*		*			1	Cutting Block (Eye) (3/4")
	544588			*		*			1	Cutting Block (Eye) (7/8")
	544589			*		*			1	Cutting Block (Eye) (1")
	544590			*		*			1	Cutting Block (Eye) (1 1/8")
	544591			*		*			1	Cutting Block (Eye) (1 1/4")
3	548066	*	*			*			1	Cutting Knife (Straight)
	255344			*		*			1	Cutting Knife (Straight)
	544600			*		*			1	Cutting Knife (Straight)
4	256654	*	*			*			1	Cutting Knife (Eye) (.135x.228)
	548065	*	*			*			1	Cutting Knife (Eye) (.140x.260)
	548886	*	*			*			1	Cutting Knife (Eye) (.120x.180)
	548804	*	*			*			1	Cutting Knife (Eye) (.100x.125)
	548935			*		*			1	Cutting Knife (Eye) (.126x.180)
	548936			*		*			1	Cutting Knife (Eye) (.100x.157)
	548992			*		*			1	Cutting Knife (Eye) (.126x.180)
	544599			*		*			1	Cutting Knife (Eye) (.120x.180)
	367194			*		*			1	Cutting Knife (Eye) (.100x.125)



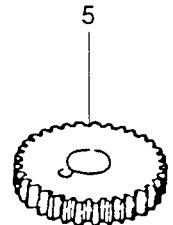
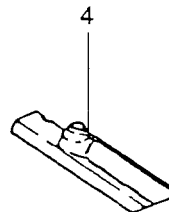
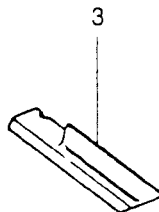
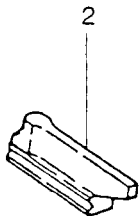
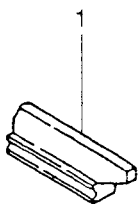
FITTINGS

REF	PART NO.	1350	1351	1353S	1353M	1353L	1357S	1357M	QTY	DESCRIPTION
1	548978	*	*	*	*	*	*	*	1	Cam Block (Eye) (Cpl.) (.140x.190)
	548389	*	*	*	*	*	*	*	1	Cam Block (Eye) (.140x.190)
	548979	*	*	*	*	*	*	*	1	Cam Block (Eye) (Cpl.) (.170x.240)
	548826	*	*	*	*	*	*	*	1	Cam Block (Eye) (.170x.240)
	548977	*	*	*	*	*	*	*	1	Cam Block (Eye) (Cpl.) (.126x.160)
	548887	*	*	*	*	*	*	*	1	Cam Block (Eye) (.126x.160)
	548976	*	*	*	*	*	*	*	1	Cam Block (Eye) (Cpl.) (.110x.130)
	548827	*	*	*	*	*	*	*	1	Cam Block (Eye) (.110x.130)
	548982	*	*	*	*	*	*	*	1	Cam Block (Eye) (Cpl.) (.170x.240)
	548856	*	*	*	*	*	*	*	1	Cam Block (Eye) (.170x.240)
2	548981	*	*	*	*	*	*	*	1	Cam Block (Eye) (Cpl.) (.140x.190)
	548857	*	*	*	*	*	*	*	1	Cam Block (Eye) (.140x.190)
	548980	*	*	*	*	*	*	*	1	Cam Block (Eye) (Cpl.) (.110x.130)
	548858	*	*	*	*	*	*	*	1	Cam Block (Eye) (.110x.130)
	548987	*	*	*	*	*	*	*	1	Cam Block (1st side) (1/4") (Cpl.)
	548392	*	*	*	*	*	*	*	1	Cam Block (1st side) (1/4")
	548989	*	*	*	*	*	*	*	1	Cam Block (1st side) (3/8") (Cpl.)
	548393	*	*	*	*	*	*	*	1	Cam Block (1st side) (3/8")
	548983	*	*	*	*	*	*	*	1	Cam Block (1st side) (1/4") (Cpl.)
	548801	*	*	*	*	*	*	*	1	Cam Block (1st side) (1/4")
3	548985	*	*	*	*	*	*	*	1	Cam Block (1st side) (3/8") (Cpl.)
	548824	*	*	*	*	*	*	*	1	Cam Block (1st side) (3/8")
	548988	*	*	*	*	*	*	*	1	Cam Block (2nd side) (1/4") (Cpl.)
	548802	*	*	*	*	*	*	*	1	Cam Block (2nd side) (1/4")
	548990	*	*	*	*	*	*	*	1	Cam Block (2nd side) (3/8") (Cpl.)
	548395	*	*	*	*	*	*	*	1	Cam Block (2nd side) (3/8")
	548984	*	*	*	*	*	*	*	1	Cam Block (2nd side) (1/4") (Cpl.)
	548394	*	*	*	*	*	*	*	1	Cam Block (2nd side) (1/4")
	548986	*	*	*	*	*	*	*	1	Cam Block (2nd side) (3/8") (Cpl.)
548825	*	*	*	*	*	*	*	1	Cam Block (2nd side) (3/8")	
4	548714	*	*	*	*	*	*	*	1	Feed Driving Gear (18 Teeth)
	548715	*	*	*	*	*	*	*	1	Feed Driving Gear (21 Teeth)
	548716	*	*	*	*	*	*	*	1	Feed Driving Gear (22 Teeth)
	548717	*	*	*	*	*	*	*	1	Feed Driving Gear (32 Teeth)
	548718	*	*	*	*	*	*	*	1	Feed Driving Gear (33 Teeth)
	548719	*	*	*	*	*	*	*	1	Feed Driving Gear (34 Teeth)
	548720	*	*	*	*	*	*	*	1	Feed Driving Gear (35 Teeth)
	548721	*	*	*	*	*	*	*	1	Feed Driving Gear (37 Teeth)
	548722	*	*	*	*	*	*	*	1	Feed Driving Gear (38 Teeth)
5	548500	*	*	*	*	*	*	*	1	Stitch Regulating Gear (22 Teeth)
6	548501	*	*	*	*	*	*	*	1	Stitch Regulating Gear (26 Teeth)
	548502	*	*	*	*	*	*	*	1	Stitch Regulating Gear (28 Teeth)
	548503	*	*	*	*	*	*	*	1	Stitch Regulating Gear (30 Teeth)
	548504	*	*	*	*	*	*	*	1	Stitch Regulating Gear (33 Teeth)
	548505	*	*	*	*	*	*	*	1	Stitch Regulating Gear (34 Teeth)
	548506	*	*	*	*	*	*	*	1	Stitch Regulating Gear (38 Teeth)
	548507	*	*	*	*	*	*	*	1	Stitch Regulating Gear (42 Teeth)
6	544544	*	*	*	*	*	*	*	1	Throat Plate (0.8mm Gimp Hole)
	544545	*	*	*	*	*	*	*	1	Throat Plate (0.5mm Gimp Hole)



ACCESSORIES

REF	PART NO.	1350	1351	1355S	1353M	1359L	1357S	1357M	QTY.	DESCRIPTION
1	548753	*	*						1	Cutting Block (Straight) (5/8")
	544595			*				*	1	Cutting Block (Straight) (7/8")
	548757			*				*	1	Cutting Block (Straight) (1 1/8")
2	548765	*	*						1	Cutting Block (Eye) (7/8")
	548767	*	*	*					1	Cutting Block (Eye) (1 1/8")
	548838			*		*		*	1	Cutting Block (Eye) (7/8")
	548836			*		*		*	1	Cutting Block (Eye) (5/8")
	548837			*		*		*	1	Cutting Block (Eye) (3/4")
	544587	*	*	*		*		*	1	Cutting Block (Eye) (3/4")
	544588			*		*		*	1	Cutting Block (Eye) (7/8")
	548769			*		*		*	1	Cutting Block (Eye) (1 3/8")
3	548066	*	*	*		*		*	1	Cutting Knife (Straight)
	544600			*		*		*	1	Cutting Knife (Straight)
4	548886	*	*	*		*		*	1	Cutting Knife (Eye) (.120x.180)
	548935	*	*	*		*		*	1	Cutting Knife (Eye) (.126x.180)
	544599	*	*	*		*		*	1	Cutting Knife (Eye) (.120x.180)
5	548500	*	*	*		*		*	1	Stitch Regulating Gear (22 Teeth)
	548502	*	*	*		*		*	1	Stitch Regulating Gear (28 Teeth)
	548506	*	*	*		*		*	1	Stitch Regulating Gear (38 Teeth)
	548501	*	*	*		*		*	1	Stitch Regulating Gear (26 Teeth)
	548504	*	*	*		*		*	1	Stitch Regulating Gear (33 Teeth)
	548507	*	*	*		*		*	1	Stitch Regulating Gear (42 Teeth)



Part No. 378994-002 (0397)
Printed in japan