

# ILLUSTRATED PARTS LIST

FOR  
**SINGER®**

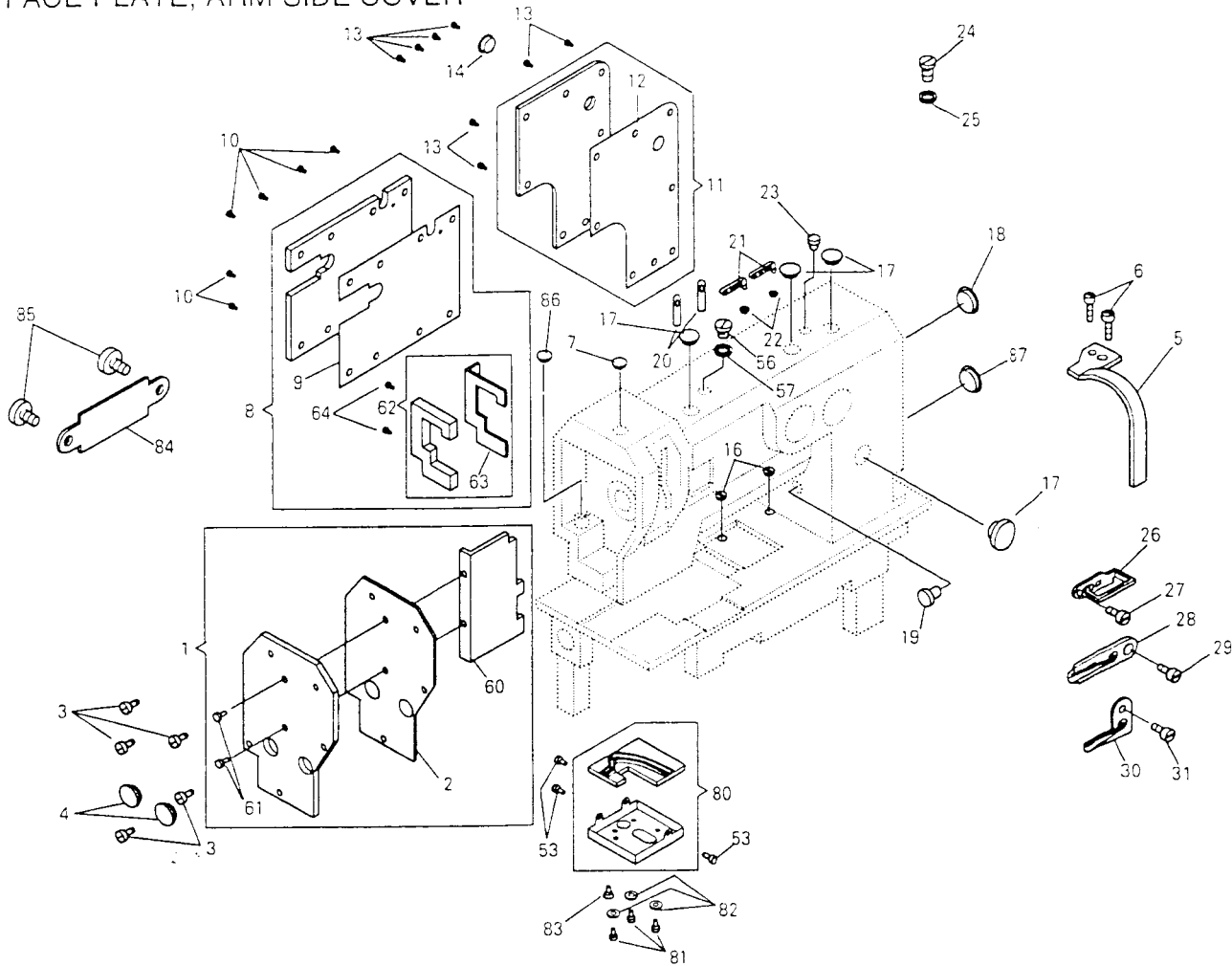
## MACHINES

412U 141A  
141B  
141G  
541A  
541B  
541G

# CONTENTS

FACE PLATE, ARM SIDE COVER .....	1
TAKE-UP LEVER, ARM SHAFT, MACHINE PULLEY .....	2
NEEDLE BAR, NEEDLE BAR ROCK FRAME .....	3
PRESSER FOOT, PRESSER BAR, PRESSER BAR LIFTER .....	4
FEED MECHANISM (FEED ROCK SHAFT DRIVING FRAME) .....	5
FEED REGULATING DIAL, FEED REVERSE LEVER .....	6
FEED BAR, FEED DRIVING ROCK SHAFT .....	7
HOOK DRIVING SHAFT, HOOK DRIVING SHAFT CONNECTION BELT PULLEY .....	8
HOOK SADDLE (RIGHT), HOOK .....	9
HOOK SADDLE (LEFT), HOOK .....	11
LUBRICATION (PLUNGER PUMP) .....	13
LUBRICATION (OIL RESERVOIR) .....	14
LUBRICATION (BED AREA) .....	15
TENSION .....	16
BOBBIN WINDER .....	17
THREAD TRIMMER 1 .....	18
THREAD TRIMMER 2 .....	19
TENSION RELEASING .....	20
BACK TACK MECHANISM .....	21
BACK TACK SWITCH .....	22
WIPER .....	23
GAUGE PARTS .....	24
ACCESSORIES AND ATTACHMENTS 1 .....	25
ACCESSORIES AND ATTACHMENTS 2 .....	26
ACCESSORIES AND ATTACHMENTS 3 .....	27
PARTS AVAILABLE AT EXTRA CHARGE .....	28

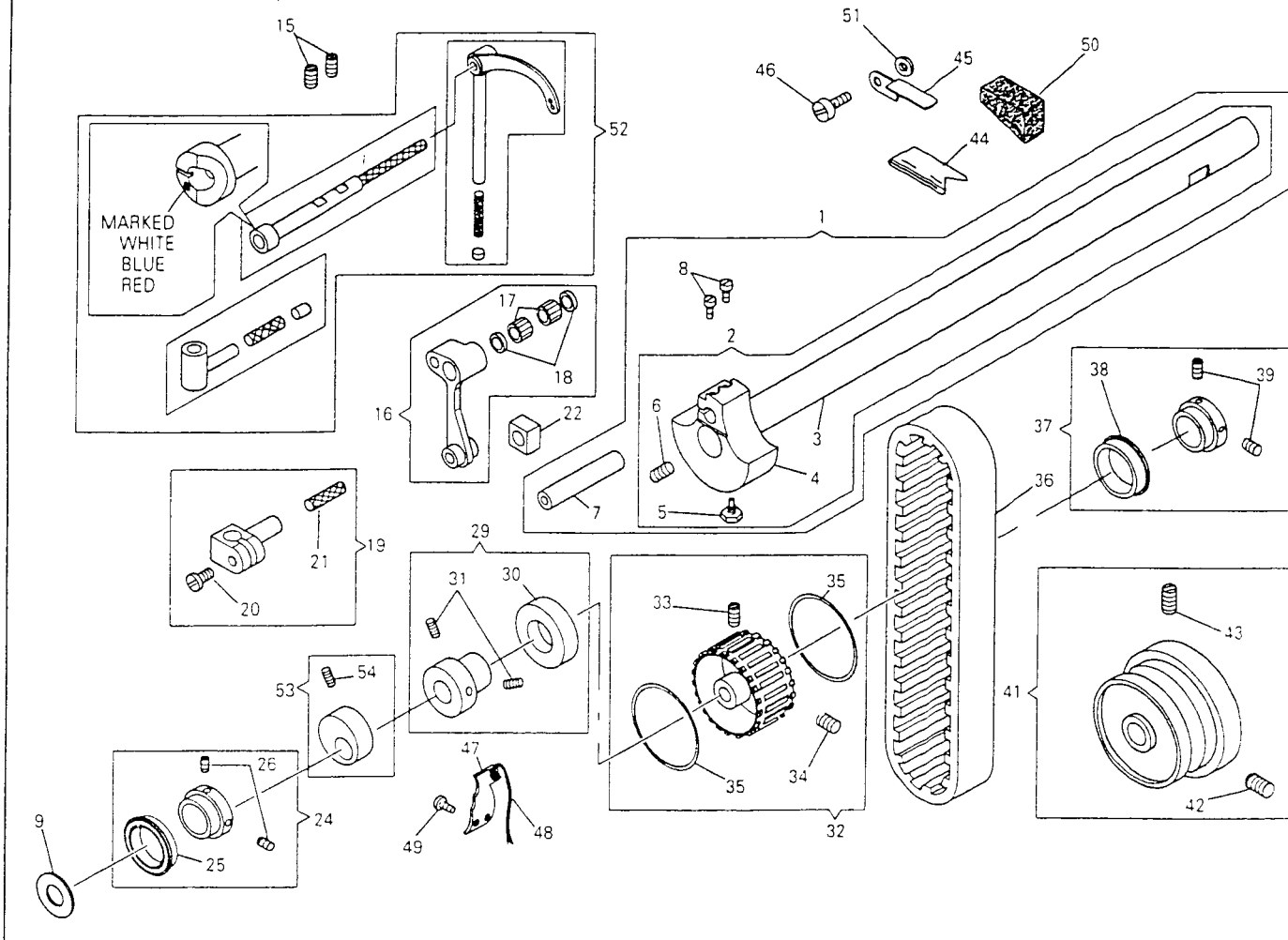
# FACE PLATE, ARM SIDE COVER



NO	PART NO.	141A	141B	141G	541A	541B	541G	Y	Q	DESCRIPTION
1	552866-467	*	-	-	-	-	-	1	1	FACE PLATE AND FACE PLATE PACKING COMP.
1	554490-467	-	*	*	*	*	*	1	1	FACE PLATE AND FACE PLATE PACKING COMP.
2	554309	*	*	*	*	*	*	1	1	FACE PLATE PACKING
3	544217-052	*	*	*	*	*	*	5	5	FACE PLATE SCREW
4	368063	*	*	*	*	*	*	2	2	FACE PLATE PLUG
5	552410-467	-	-	-	-	-	-	1	1	TAKE-UP LEVER GUARD
5	552823-467	-	-	-	-	-	-	1	1	TAKE-UP LEVER GUARD
6	544217-052	*	*	*	*	*	*	2	2	TAKE-UP LEVER GUARD SCREW
7	418384-452	*	*	*	*	*	*	1	1	ARM HOLE PLUG (NEEDLE BAR HOLE)
8	554450	*	*	*	*	*	*	1	1	ARM SIDE COVER (SMALL) AND ARM SIDE COVER (SMALL) GASKET COMP.
9	554308	*	*	*	*	*	*	1	1	ARM SIDE COVER (SMALL) GASKET
10	544217-052	*	*	*	*	*	*	6	6	ARM SIDE COVER (SMALL) SCREW
11	552867	*	*	*	*	*	*	1	1	ARM SIDE COVER (LARGE) AND ARM SIDE COVER (LARGE) GASKET COMP.
12	554310	*	*	*	*	*	*	1	1	ARM SIDE COVER (LARGE) PACKING
13	544217-052	*	*	*	*	*	*	8	8	ARM SIDE COVER (LARGE) SCREW
14	368063-392	*	*	*	*	*	*	1	1	ARM SIDE COVER (LARGE) HOLE PLUG
16	549230	*	*	*	*	*	*	2	2	BED OIL HOLE PLUG
17	544875-392	*	*	*	*	*	*	4	4	ARM HOLE PLUG
18	552835	*	*	*	*	*	*	1	1	ARM HOLE PLUG (BACK)
19	508283	*	*	*	*	*	*	1	1	ARM HOLE PLUG (FEED REVERSE LEVER HINGE STUD HOLE)
20	508562	*	*	*	*	*	*	2	2	THREAD GUIDE STUD
21	411092	*	*	*	*	*	*	2	2	THREAD RETAINER (4-HOLES)
22	541180	*	*	*	*	*	*	2	2	THREAD RETAINER (4-HOLES) NUT
23	375014-452	*	*	*	*	*	*	1	1	ARM HOLE PLUG (SMALL)
24	544212-003	*	*	*	*	*	*	1	1	EARTH WIRE SCREW
25	543803-003	*	*	*	*	*	*	1	1	EARTH WIRE SCREW WASHER
26	552415	*	*	*	*	*	*	1	1	THREAD GUIDE (UPPER)
27	544347	*	*	*	*	*	*	1	1	THREAD GUIDE (UPPER) SCREW
28	267316	*	*	*	*	*	*	1	1	THREAD GUIDE (MIDDLE)
29	544347	*	*	*	*	*	*	1	1	THREAD GUIDE (MIDDLE) SCREW
30	224040	*	*	*	*	*	*	1	1	THREAD GUIDE (LOWER)
31	544347	*	*	*	*	*	*	1	1	THREAD GUIDE (LOWER) SCREW

NO	PART NO.	141A	141B	141G	541A	541B	541G	Y	Q	DESCRIPTION
53	544217-051	*	*	*	*	*	*	3	3	NEEDLE BAR ROCK FRAME COVER SCREW
56	545036	*	*	*	*	*	*	1	1	TAKE-UP LEVER OIL HOLE CAP SCREW
57	545754	*	*	*	*	*	*	1	1	TAKE-UP LEVER OIL HOLE CAP SCREW PACKING
60	554492	-	*	*	-	*	*	1	1	FACE PLATE OIL GUARD
61	544211-002	-	*	*	-	*	*	2	2	FACE PLATE OIL GUARD SCREW
62	554451	*	*	*	*	*	*	1	1	ARM SIDE COVER (SMALL) OIL GUARD COMP.
63	554686	*	*	*	*	*	*	1	1	ARM SIDE COVER (SMALL) OIL GUARD OIL SEAL
64	544211-002	*	*	*	*	*	*	2	2	ARM SIDE COVER (SMALL) OIL GUARD SCREW
80	554876	*	*	*	*	*	*	1	1	NEEDLE BAR ROCK FRAME COVER PACKING COMP.
81	374497-001	*	*	*	*	*	*	3	3	NEEDLE BAR ROCK FRAME COVER SCREW
82	548054	*	*	*	*	*	*	3	3	NEEDLE BAR ROCK FRAME COVER SCREW WASHER
83	374583-002	*	*	*	*	*	*	1	1	NEEDLE BAR ROCK FRAME COVER SCREW
84	554640	*	-	-	-	-	-	1	1	ARM SIDE COVER
85	544217-052	*	-	-	-	-	-	2	2	ARM SIDE COVER SCREW
86	418384-452	*	-	-	-	-	-	1	1	ARM HOLE PLUG
87	502760	*	*	*	*	*	*	1	1	ARM HOLE PLUG (FEED REGULATOR SHAFT HOLE)

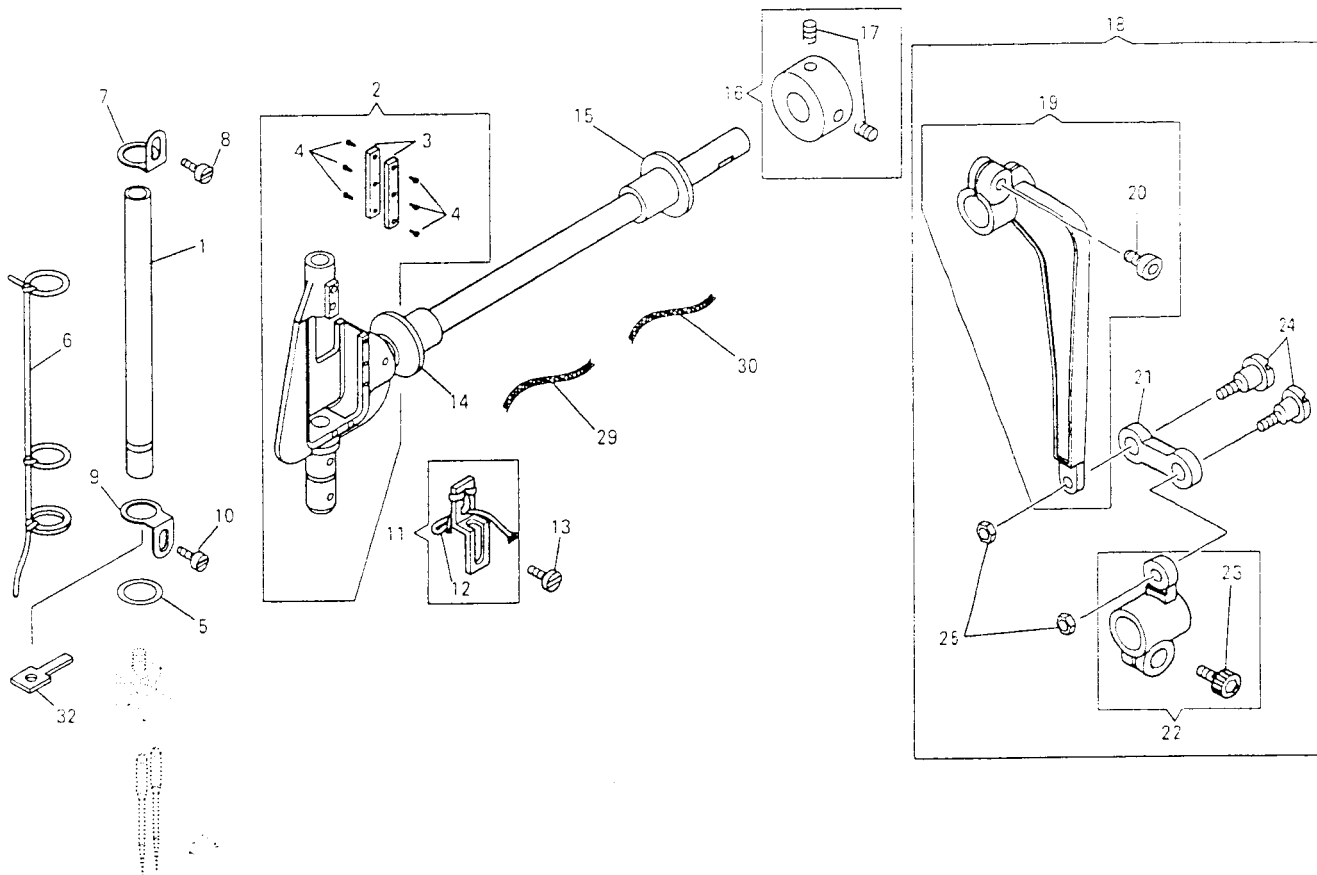
# TAKE-UP LEVER, ARM SHAFT, MACHINE PULLEY



NO	PART NO.	141A	141B	141G	541A	541B	541G	T	Q	DESCRIPTION
1	554811	*	*	*	-	-	-	1	1	ARM SHAFT, NEEDLE BAR CONNECTING LINK STUD COMP
1	554814	-	-	-	*	*	*	1	1	ARM SHAFT, NEEDLE BAR CONNECTING LINK STUD COMP
2	554812	*	*	*	-	-	-	1	1	ARM SHAFT NEEDLE BAR CRANK COMP.
2	554815	-	-	-	*	*	*	1	1	ARM SHAFT NEEDLE BAR CRANK COMP.
3	554323	*	*	*	*	*	*	1	1	ARM SHAFT
4	554813	*	*	*	-	-	-	1	1	NEEDLE BAR CRANK
4	554816	-	-	-	*	*	*	1	1	NEEDLE BAR CRANK
5	374100	*	*	*	*	*	*	1	1	NEEDLE BAR CRANK POSITION SCREW
6	504095	*	*	*	*	*	*	1	1	NEEDLE BAR CRANK SET SCREW
7	554693	*	*	*	*	*	*	1	1	NEEDLE BAR CONNECTING LINK STUD
8	544448	*	*	*	*	*	*	2	2	NEEDLE BAR CONNECTING LINK STUD SET SCREW
9	554325	*	*	*	*	*	*	1	1	NEEDLE BAR CRANK FRICTION WASHER
15	544209-006	*	*	*	*	*	*	2	2	TAKE-UP LEVER HINGE STUD SET SCREW
16	554327	*	*	*	*	*	*	1	1	NEEDLE BAR CONNECTING LINK COMP.
17	502964	*	*	*	*	*	*	2	2	NEEDLE BAR CONNECTING LINK BEARING
18	554329	*	*	*	*	*	*	2	2	NEEDLE BAR CONNECTING LINK BEARING RETAINING RING
19	552428	*	*	*	*	*	*	1	1	NEEDLE BAR CONNECTING STUD COMP.
20	545071	*	*	*	*	*	*	1	1	NEEDLE BAR CONNECTING STUD PINCH SCREW
21	202330	*	*	*	*	*	*	1	1	NEEDLE BAR CONNECTING STUD OIL WICK
22	552429	*	*	*	*	*	*	1	1	NEEDLE BAR CONNECTING STUD SLIDE BLOCK
24	554334	*	*	*	*	*	*	1	1	ARM SHAFT BALL BEARING (FRONT) COMP
25	554335	*	*	*	*	*	*	1	1	ARM SHAFT BALL BEARING (FRONT)
26	544209-005	*	*	*	*	*	*	2	2	ARM SHAFT BALL BEARING INSIDE COLLAR SET SCREW
29	554651	*	*	*	*	*	*	1	1	ARM SHAFT BALL BEARING (MIDDLE) COMP
30	554635	*	*	*	*	*	*	1	1	ARM SHAFT BALL BEARING (MIDDLE)
31	544207-012	*	*	*	*	*	*	2	2	ARM SHAFT BALL BEARING INSIDE COLLAR SET SCREW
32	554336	*	*	*	*	*	*	1	1	ARM SHAFT CONNECTION BELT PULLEY COMP.

NO.	PART NO.	141A	141B	141G	541A	541B	541G	T	Q	DESCRIPTION
33	544322	*	*	*	*	*	*	1	1	ARM SHAFT CONNECTION BELT PULLEY SET SCREW
34	544330	*	*	*	*	*	*	1	1	ARM SHAFT CONNECTION BELT PULLEY POSITION SCREW
35	202253	*	*	*	*	*	*	2	2	ARM SHAFT CONNECTION BELT PULLEY SPRING FLANGE
36	267161	*	*	*	*	*	*	1	1	ARM SHAFT CONNECTION BELT
37	554783	*	*	*	*	*	*	1	1	ARM SHAFT BALL BEARING (BACK) COMP
38	554784	*	*	*	*	*	*	1	1	ARM SHAFT BALL BEARING (BACK)
39	544209-005	*	*	*	*	*	*	2	2	ARM SHAFT BALL BEARING INSIDE COLLAR SET SCREW
41	554656-383	*	*	*	*	*	*	1	1	MACHINE PULLEY COMP.
42	141566	*	*	*	*	*	*	1	1	MACHINE PULLEY POSITION SCREW
43	141567-833	*	*	*	*	*	*	1	1	MACHINE PULLEY SET SCREW
44	552899	*	*	*	*	*	*	1	1	TAKE-UP LEVER OIL FELT
45	552898	*	*	*	*	*	*	1	1	TAKE-UP LEVER OIL FELT RETAINER
46	414508	*	-	-	-	-	-	1	1	TAKE-UP LEVER OIL FELT RETAINER SCREW
47	554341	*	*	*	*	*	*	1	1	TAKE-UP LEVER OIL GUARD
48	554342	*	*	*	*	*	*	1	1	TAKE-UP LEVER OIL GUARD OIL WICK
49	545114	*	*	*	*	*	*	1	1	TAKE-UP LEVER OIL GUARD SCREW
50	554720	*	*	*	*	*	*	1	1	TAKE-UP LEVER OIL FELT PAD
51	548480	*	-	-	-	-	-	1	1	TAKE-UP LEVER OIL FELT RETAINER SPACER
52	554878-000	*	*	*	*	*	*	1	1	TAKE-UP LEVER, TAKE-UP LEVER DRIVING STUD, TAKE-UP LEVER HINGE STUD COMP.
52	554879-000	-	-	-	*	*	*	1	1	-001 (MARKED WHITE) -002 (MARKED BLUE) -003 (MARKED RED) TAKE-UP LEVER, TAKE-UP LEVER DRIVING STUD, TAKE-UP LEVER HINGE STUD COMP.
52	554879-000	-	-	-	*	*	*	1	1	-001 (MARKED WHITE) -002 (MARKED BLUE) -003 (MARKED RED) ARM SHAFT BALANCER COMP.
53	554597	-	-	-	*	*	*	1	1	ARM SHAFT BALANCER COMP.
54	544209-006	-	-	-	*	*	*	1	1	ARM SHAFT BALANCER SET SCREW

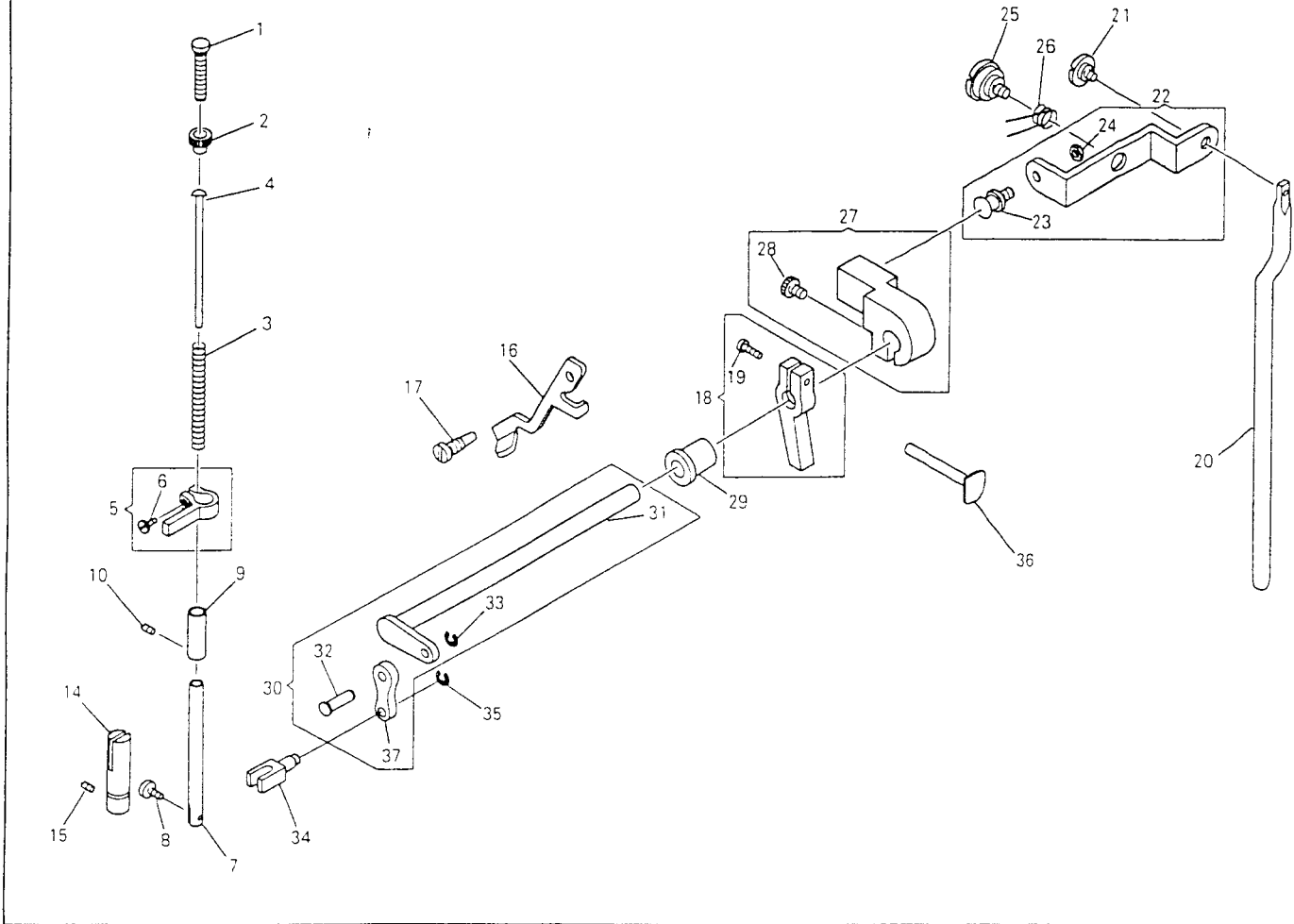
# NEEDLE BAR, NEEDLE BAR ROCK FRAME



QTY	PART NO.	ALTERNATE PART NOS.					DESCRIPTION
		141A	141B	141G	541A	541B	
1	412175	*	*	*	*	*	NEEDLE BAR
1	552435	*	*	*	*	*	NEEDLE BAR ROCK FRAME COMP.
2	554358	*	*	*	*	*	NEEDLE BAR ROCK FRAME WEAR PLATE
6	544377	*	*	*	*	*	NEEDLE BAR ROCK FRAME WEAR PLATE SCREW
1	543871-012	*	*	*	*	*	NEEDLE BAR OIL GUARD
1	554862	*	*	*	*	*	NEEDLE BAR OIL WICK
1	552440	*	*	*	*	*	NEEDLE BAR OIL WICK RETAINER (UPPER)
1	544376	*	*	*	*	*	NEEDLE BAR OIL WICK RETAINER (UPPER) SCREW
1	554531	*	*	*	*	*	NEEDLE BAR OIL WICK RETAINER (LOWER)
1	544376	*	*	*	*	*	NEEDLE BAR OIL WICK RETAINER (LOWER) SCREW
1	554343	*	*	*	*	*	NEEDLE BAR CONNECTING LINK OIL WICK RETAINER COMP.
1	554344	*	*	*	*	*	NEEDLE BAR CONNECTING LINK OIL WICK
1	544376	*	*	*	*	*	NEEDLE BAR CONNECTING LINK OIL WICK RETAINER SCREW
1	554635	*	*	*	*	*	NEEDLE BAR ROCK FRAME ROCK SHAFT BUSHING (FRONT)
1	554636	*	*	*	*	*	NEEDLE BAR ROCK FRAME ROCK SHAFT BUSHING (BACK)
1	552443	*	*	*	*	*	NEEDLE BAR ROCK FRAME ROCK SHAFT COLLAR COMP.
2	544204-001	*	*	*	*	*	NEEDLE BAR ROCK FRAME ROCK SHAFT COLLAR SCREW
1	554637	*	*	*	*	*	NEEDLE BAR ROCK FRAME ROCK SHAFT CONNECTION, CRANK AND LINK COMP.
1	554638	*	*	*	*	*	NEEDLE BAR ROCK FRAME ROCK SHAFT CONNECTION COMP.

QTY	PART NO.	ALTERNATE PART NOS.					DESCRIPTION
		141A	141B	141G	541A	541B	
1	374108-009	*	*	*	*	*	NEEDLE BAR ROCK FRAME ROCK SHAFT CONNECTION PINCH SCREW
1	552448	*	*	*	*	*	NEEDLE BAR ROCK FRAME ROCK SHAFT CRANK LINK
1	552449	*	*	*	*	*	NEEDLE BAR ROCK FRAME ROCK SHAFT CRANK COMP.
1	374108-009	*	*	*	*	*	NEEDLE BAR ROCK FRAME ROCK SHAFT CRANK PINCH SCREW
2	374547	*	*	*	*	*	NEEDLE BAR ROCK FRAME ROCK SHAFT CRANK LINK HINGE SCREW
2	541168-003	*	*	*	*	*	NEEDLE BAR ROCK FRAME ROCK SHAFT CRANK LINK HINGE SCREW NUT
1	554465-002	*	*	*	*	*	NEEDLE BAR ROCK FRAME ROCK SHAFT BUSHING (FRONT) OIL WICK
1	554466-003	*	*	*	*	*	NEEDLE BAR ROCK FRAME ROCK SHAFT BUSHING (BACK) OIL WICK
1	554858	*	*	*	*	*	NEEDLE BAR ROCK FRAME FELT

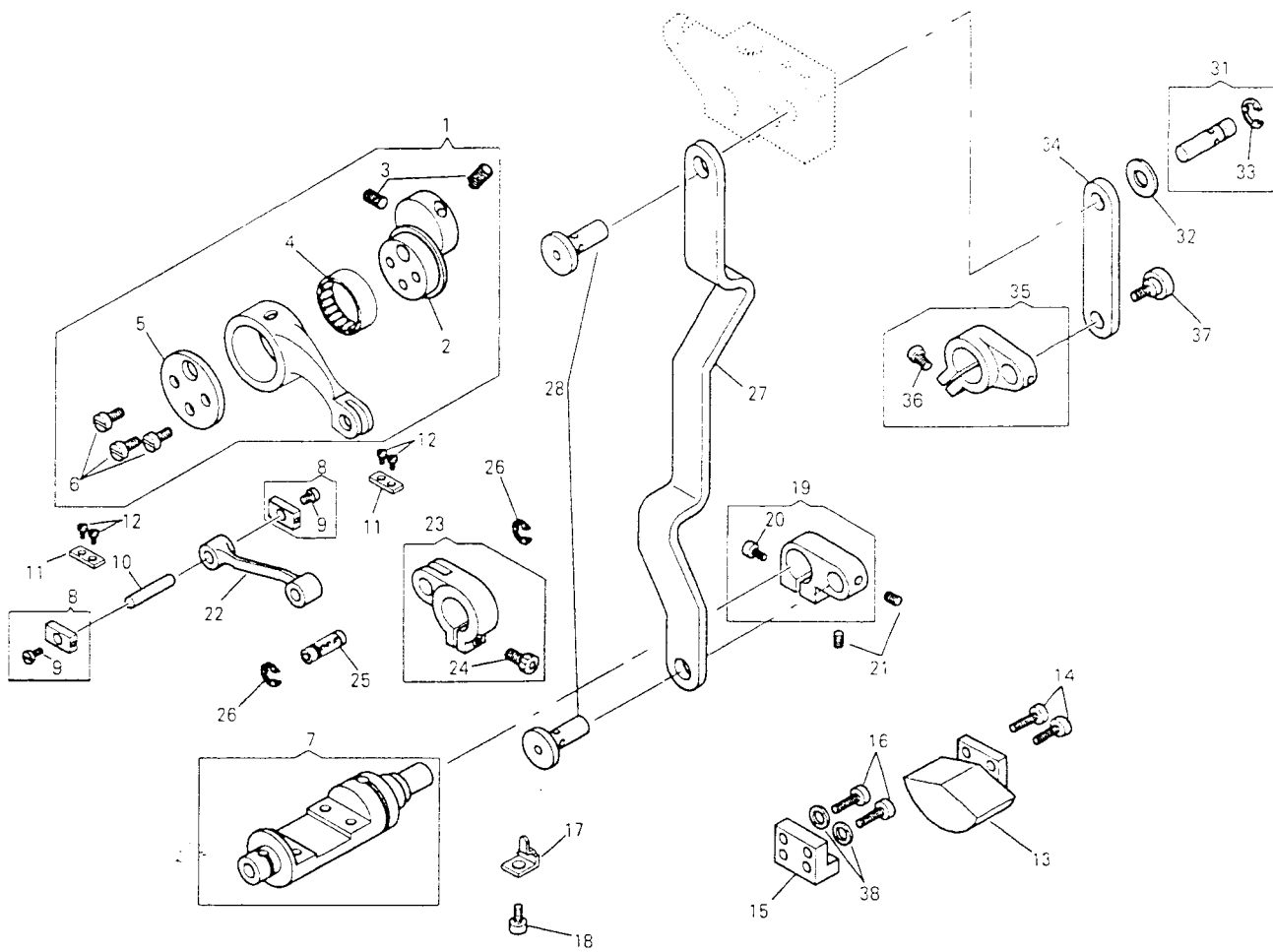
PRESSER FOOT, PRESSER BAR, PRESSER BAR LIFTER



NO	PART NO.					Y	T	Q	DESCRIPTION
		141A	141B	141G	541A				
1	552859	*	*	*	*	*	*	1	PRESSURE REGULATING SCREW
2	376424-383	*	*	*	*	*	*	1	PRESSURE REGULATING SCREW LOCK NUT
3	552454	*	*	*	*	*	*	1	PRESSER BAR SPRING
4	552455	*	*	*	*	*	*	1	PRESSURE REGULATING SCREW
5	552452	*	*	*	*	*	*	1	GUIDE ROD PRESSER BAR POSITION GUIDE LEVER COMP.
6	545295	*	*	*	*	*	*	1	PRESSER BAR POSITION GUIDE LEVER PINCH SCREW
7	552451	*	*	*	*	*	*	1	PRESSER BAR
8	500256	*	*	*	*	*	*	1	PRESSER FOOT SCREW
9	554407	*	*	*	*	*	*	1	PRESSER BAR BUSHING
10	544205-002	*	*	*	*	*	*	1	PRESSER BAR BUSHING SET SCREW
14	202337	*	*	*	*	*	*	1	PRESSER BAR POSITION GUIDE
15	544205-002	*	*	*	*	*	*	1	PRESSER BAR POSITION GUIDE SET SCREW
16	552456	*	*	*	*	*	*	1	PRESSER BAR LIFTER
17	374541	*	*	*	*	*	*	1	PRESSER BAR LIFTER HINGE SCREW
18	552457	*	*	*	*	*	*	1	PRESSER BAR LIFTER ARM COMP.
19	374108-001	*	*	*	*	*	*	1	PRESSER BAR LIFTER ARM PINCH SCREW
20	552459	*	*	*	*	*	*	1	KNEE LIFTER ROCK LEVER LIFTING ROD
21	545356	*	*	*	*	*	*	1	KNEE LIFTER ROCK LEVER LIFTING ROD SCREW
22	552460	*	*	*	*	*	*	1	KNEE LIFTER ROCK LEVER COMP.
23	552462	*	*	*	*	*	*	1	KNEE LIFTER ROCK LEVER BALL STUD
24	541166-001	*	*	*	*	*	*	1	KNEE LIFTER ROCK LEVER BALL STUD LOCK NUT
25	374559	*	*	*	*	*	*	1	KNEE LIFTER ROCK LEVER SCREW
26	417113	*	*	*	*	*	*	1	KNEE LIFTER ROCK LEVER SPRING
27	552464	*	*	*	*	*	*	1	KNEE LIFTER SHAFT DRIVING ARM COMP.
28	374108-009	*	*	*	*	*	*	1	KNEE LIFTER SHAFT DRIVING ARM PINCH SCREW
29	552466	*	*	*	*	*	*	1	KNEE LIFTER SHAFT BUSHING

NO	PART NO.					Y	T	Q	DESCRIPTION
		141A	141B	141G	541A				
30	552467	*	*	*	*	*	*	1	KNEE LIFTER SHAFT, LINK COMP.
31	552468	*	*	*	*	*	*	1	KNEE LIFTER SHAFT
32	552472	*	*	*	*	*	*	1	KNEE LIFTER SHAFT LINK PIN
33	543860-005	*	*	*	*	*	*	1	KNEE LIFTER SHAFT LINK PIN SNAP RING
34	552473	*	*	*	*	*	*	1	KNEE LIFTER SHAFT LINK BLOCK
35	543860-005	*	*	*	*	*	*	1	KNEE LIFTER SHAFT LINK BLOCK SNAP RING
36	552474	*	*	*	*	*	*	1	TENSION RELEASE LEVER ROD COMP.
37	552471	*	*	*	*	*	*	1	KNEE LIFTER SHAFT LINK

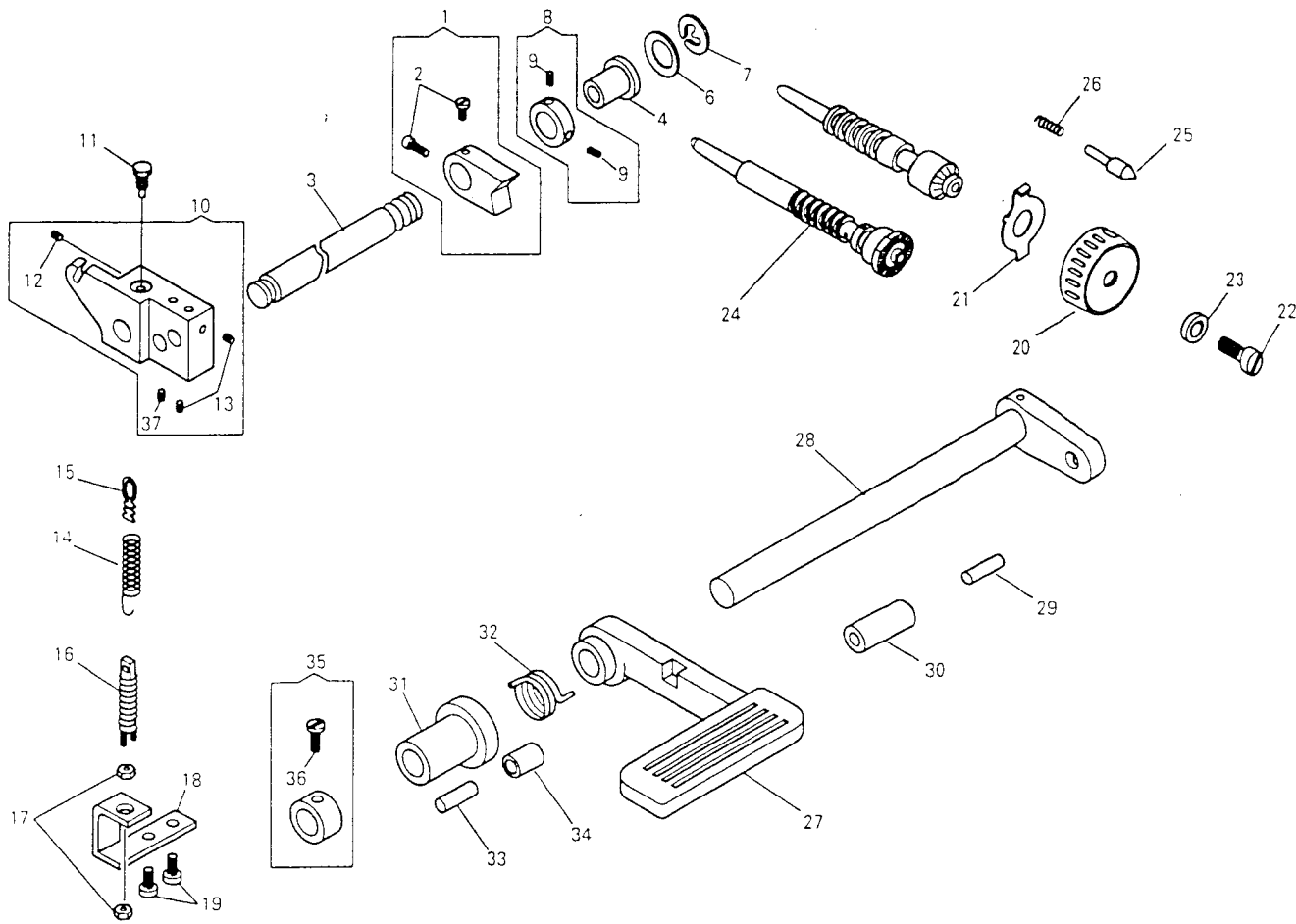
# FEED MECHANISM (FEED ROCK SHAFT DRIVING FRAME)



NO.	PART NO.					Y	T	Q	DESCRIPTION
		141A	141B	141G	541A				
1	552477	*	*	*	*	*	1	1	FEED DRIVING ECCENTRIC AND FEED DRIVING ECCENTRIC CONNECTION COMP.
2	552478	*	*	*	*	*	1	1	FEED DRIVING ECCENTRIC
3	544209-005	*	*	*	*	*	2	2	FEED DRIVING ECCENTRIC SET SCREW
4	552479	*	*	*	*	*	1	1	FEED DRIVING ECCENTRIC CONNECTION BEARING
5	552481	*	*	*	*	*	1	1	FEED DRIVING ECCENTRIC CONNECTION BEARING RETAINING PLATE
6	544212-051	*	*	*	*	*	3	3	FEED DRIVING ECCENTRIC CONNECTION BEARING RETAINING PLATE SCREW
7	552482	*	*	*	*	*	1	1	FEED ROCK SHAFT DRIVING FRAME COMP.
8	552484	*	*	*	*	*	2	2	FEED ROCK SHAFT DRIVING SLIDE BLOCK COMP.
9	549166	*	*	*	*	*	2	2	FEED ROCK SHAFT DRIVING SLIDE BLOCK SCREW
10	552485	*	*	*	*	*	1	1	FEED ROCK SHAFT DRIVING SLIDE BLOCK STUD
11	552486	*	*	*	*	*	2	2	FEED ROCK SHAFT DRIVING SLIDE BLOCK GUIDE PLATE
12	544212-053	*	*	*	*	*	4	4	FEED ROCK SHAFT DRIVING SLIDE BLOCK GUIDE PLATE SCREW
13	554493	*	*	*	*	*	1	1	FEED ROCK SHAFT DRIVING FRAME BALANCE WEIGHT
14	374106-006	*	*	*	*	*	2	2	FEED ROCK SHAFT DRIVING FRAME BALANCE WEIGHT SCREW
15	554494	*	*	*	*	*	1	1	FEED ROCK SHAFT DRIVING FRAME BALANCE WEIGHT BRACKET
16	374107-003	*	*	*	*	*	2	2	FEED ROCK SHAFT DRIVING FRAME BALANCE WEIGHT BRACKET SCREW
17	552487	*	*	*	*	*	1	1	FEED ROCK SHAFT DRIVING FRAME SUPPORT PLATE
18	544213-051	*	*	*	*	*	1	1	FEED ROCK SHAFT DRIVING FRAME SUPPORT PLATE SCREW

NO.	PART NO.					Y	T	Q	DESCRIPTION
		141A	141B	141G	541A				
19	554798	*	*	*	*	*	1	1	FEED ROCK SHAFT DRIVING FRAME LEVER COMP.
20	374107-004	*	*	*	*	*	1	1	FEED ROCK SHAFT DRIVING FRAME LEVER PINCH SCREW
21	544208-005	*	*	*	*	*	2	2	FEED ROCK SHAFT DRIVING FRAME LEVER STUD SET SCREW
22	552490	*	*	*	*	*	1	1	FEED ROCK SHAFT DRIVING LINK
23	554680	*	*	*	*	*	1	1	FEED ROCK SHAFT CRANK COMP.
24	374107-004	*	*	*	*	*	1	1	FEED ROCK SHAFT CRANK PINCH SCREW
25	552493	*	*	*	*	*	1	1	FEED ROCK SHAFT CRANK PIN
26	543801-006	*	*	*	*	*	2	2	FEED ROCK SHAFT CRANK PIN SNAP RING
27	554756	*	*	*	*	*	1	1	FEED REGULATING LINK
28	554797	*	*	*	*	*	2	2	FEED REGULATING LINK STUD
31	554785	*	*	*	*	*	1	1	FEED REVERSE LINK STUD COMP.
32	412226	*	*	*	*	*	1	1	FEED REVERSE LINK STUD THRUST WASHER
33	543571	*	*	*	*	*	1	1	FEED REVERSE LINK STUD SNAP RING
34	554757	*	*	*	*	*	1	1	FEED REVERSE LINK
35	554754	*	*	*	*	*	1	1	FEED REVERSE LEVER SHAFT CRANK COMP.
36	374107-004	*	*	*	*	*	1	1	FEED REVERSE LEVER SHAFT CRANK PINCH SCREW
37	549288	*	*	*	*	*	1	1	FEED REVERSE LEVER SHAFT CRANK HINGE SCREW
38	544840	*	*	*	*	*	2	2	FEED ROCK SHAFT DRIVING FRAME BALANCE WEIGHT BRACKET SPRING WASHER

# FEED REGULATING DIAL, FEED REVERSE LEVER

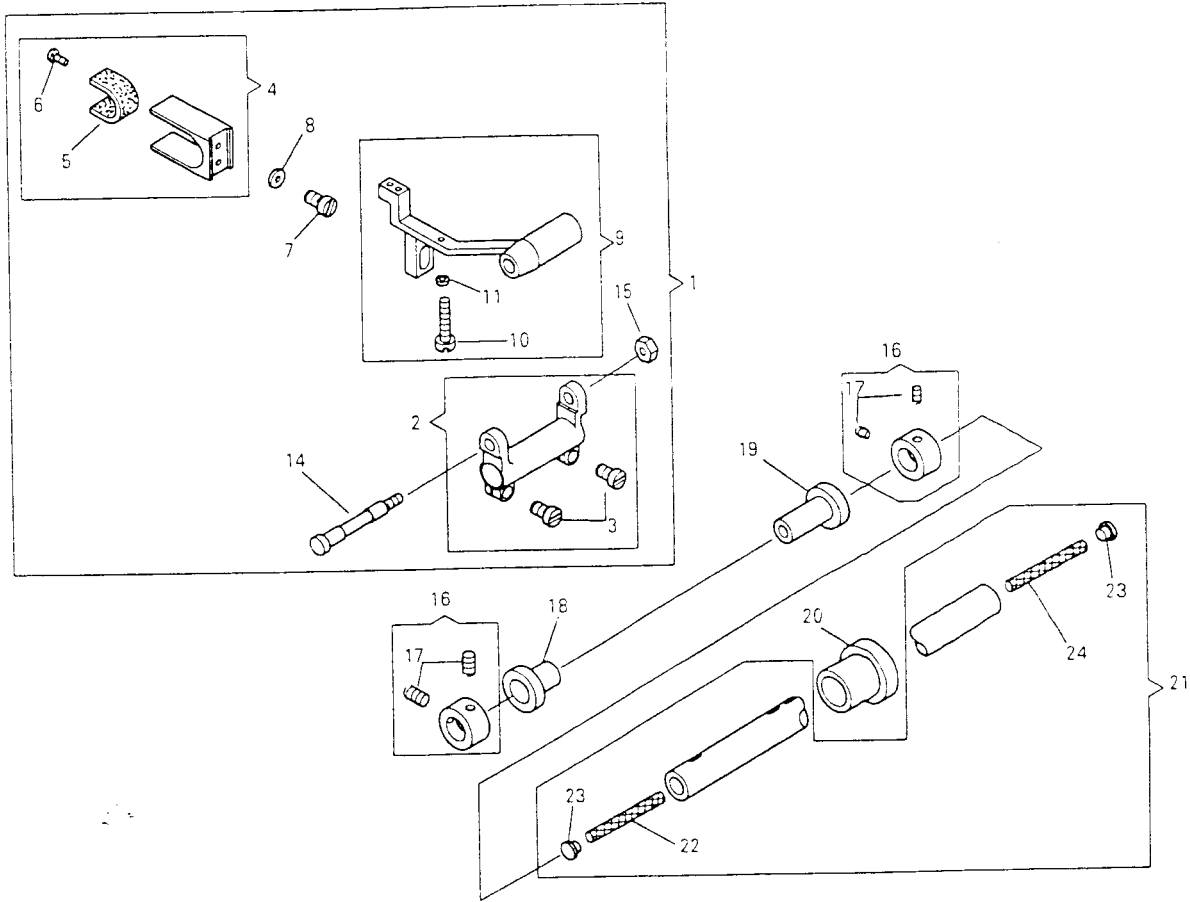


NO	PART NO.	141A	141B	141G	541A	541B	541G	QTY	DESCRIPTION
1	552494	*	*	*	*	*	*	1	FEED REGULATOR COMP.
2	374300	*	*	*	*	*	*	2	FEED REGULATOR SCREW
3	552496	*	*	*	*	*	*	1	FEED REGULATOR SHAFT
4	552497	*	*	*	*	*	*	1	FEED REGULATOR SHAFT BUSHING
6	418340	*	*	*	*	*	*	1	FEED REGULATOR SHAFT THRUST WASHER
7	543801-010	*	*	*	*	*	*	1	FEED REGULATOR SHAFT SNAP RING
8	552719	*	*	*	*	*	*	1	FEED REGULATOR SHAFT COLLAR COMP.
9	544207-011	*	*	*	*	*	*	2	FEED REGULATOR SHAFT COLLAR SET SCREW
10	554752	*	*	*	*	*	*	1	FEED REGULATOR SHAFT ARM COMP.
11	368108	*	*	*	*	*	*	1	FEED REGULATOR SHAFT ARM POSITION SCREW
12	544205-001	*	*	*	*	*	*	1	FEED REGULATOR SHAFT ARM SET SCREW
13	544208-005	*	*	*	*	*	*	2	FEED REGULATING STUD SET SCREW
14	554499	*	*	*	*	*	*	1	FEED REGULATOR SHAFT ARM SPRING
15	554500	*	*	*	*	*	*	1	FEED REGULATOR SHAFT ARM SPRING HOOK (UPPER)
16	554498	*	*	*	*	*	*	1	FEED REGULATOR SHAFT ARM SPRING HOOK (LOWER)
17	541166-001	*	*	*	*	*	*	2	FEED REGULATOR SHAFT ARM SPRING HOOK (LOWER) LOCK NUT
18	554501	*	*	*	*	*	*	1	FEED REGULATOR SHAFT ARM SPRING HOOK RETAINER
19	544213-053	*	*	*	*	*	*	2	FEED REGULATOR SHAFT ARM SPRING HOOK RETAINER SCREW
20	552514	*	*	*	*	*	*	1	FEED REGULATING DIAL
21	544947	*	*	*	*	*	*	1	FEED REGULATING DIAL SERRATION PLATE
22	368362	*	*	*	*	*	*	1	FEED REGULATING DIAL CAP SCREW
23	368363	*	*	*	*	*	*	1	FEED REGULATING DIAL CAP SCREW WASHER
24	552515	*	*	*	*	*	*	1	FEED REGULATING STUD
24	551455	-	-	*	-	-	-	1	FEED REGULATING STUD

NO	PART NO.	141A	141B	141G	541A	541B	541G	QTY	DESCRIPTION
25	368114	*	*	*	*	*	*	1	FEED REGULATING DIAL LOCK PIN
26	545820	*	*	*	*	*	*	1	FEED REGULATING DIAL LOCK PIN SPRING
27	552516	*	*	*	*	*	*	1	FEED REVERSE LEVER
28	552518	*	*	*	*	*	*	1	FEED REVERSE LEVER SHAFT ARM COMP.
29	543831-001	*	*	*	*	*	*	1	FEED REVERSE LEVER SHAFT ARM PIN
30	552521	*	*	*	*	*	*	1	FEED REVERSE LEVER SHAFT ARM PIN COVER
31	368129	*	*	*	*	*	*	1	FEED REVERSE LEVER SHAFT BUSHING
32	368130	*	*	*	*	*	*	1	FEED REVERSE LEVER SPRING
33	375653	*	*	*	*	*	*	1	FEED REVERSE LEVER STOPPER PIN
34	375662	*	*	*	*	*	*	1	FEED REVERSE LEVER STOPPER PIN COVER
35	552552	*	*	*	*	*	*	1	FEED REVERSE LEVER SHAFT COLLAR COMP.
36	374062	*	*	*	*	*	*	1	FEED REVERSE LEVER SHAFT COLLAR SET SCREW
37	544208-005	*	*	*	*	*	*	1	FEED REVERSE LINK STUD SET SCREW

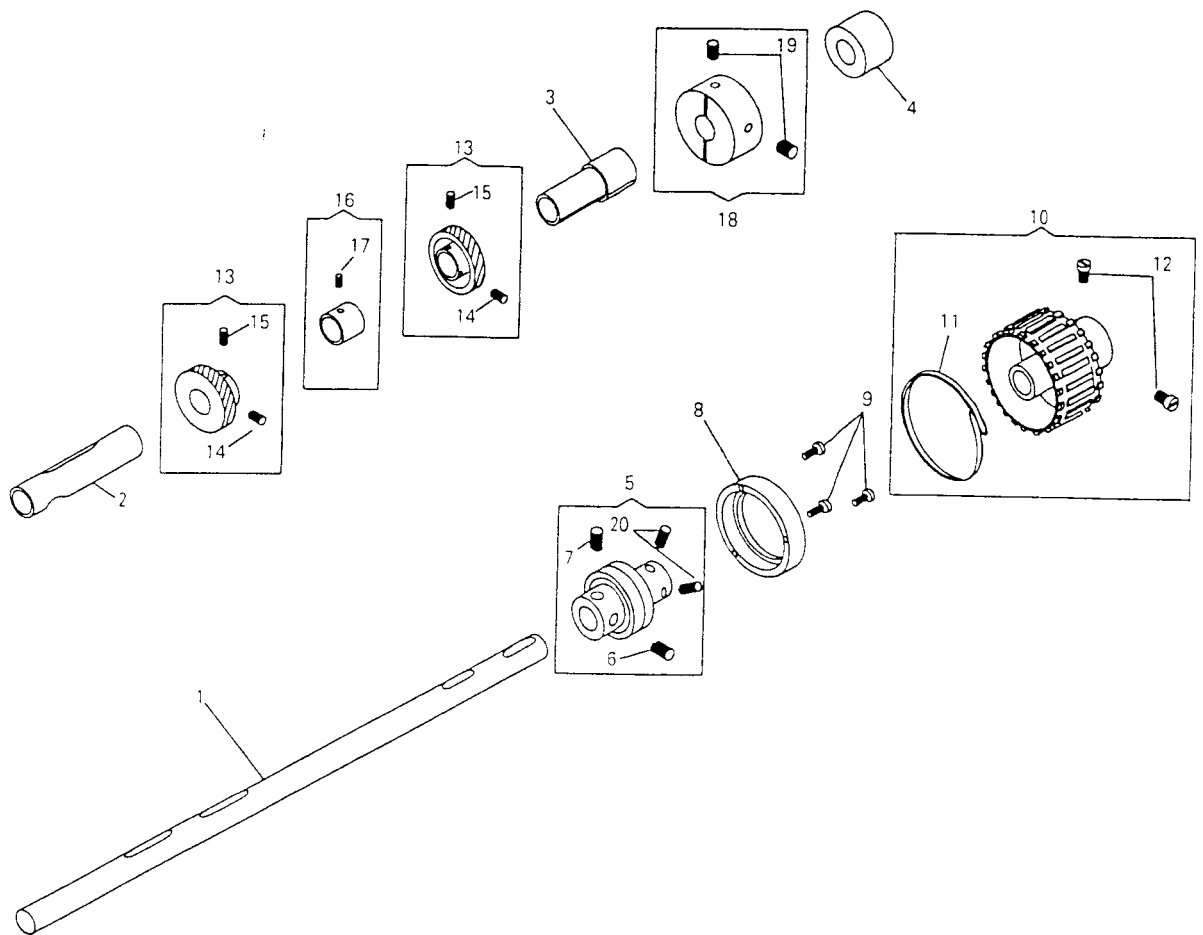


# FEED BAR, FEED DRIVING ROCK SHAFT



NO.	PART NO.	141A	141B	141G	541A	541B	541G	QTY	DESCRIPTION	NO.	PART NO.	141A	141B	141G	541A	541B	541G	QTY	DESCRIPTION
1	412177	*	-	-	*	-	-	1	FEED BAR AND FEED DRIVING ROCK FRAME COMP.										
1	281066	-	*	*	-	*	*	1	FEED BAR AND FEED DRIVING ROCK FRAME COMP.										
2	412022	*	-	-	*	-	-	1	FEED DRIVING ROCK FRAME COMP.										
2	281087	-	*	*	-	*	*	1	FEED DRIVING ROCK FRAME COMP.										
3	545154	*	*	*	*	*	*	2	FEED DRIVING ROCK FRAME PINCH SCREW										
4	412161	*	*	*	*	*	*	1	FEED LIFTING ECCENTRIC FORK COMP.										
5	223655	*	*	*	*	*	*	1	FEED LIFTING ECCENTRIC FORK OILING FELT										
6	549075	*	*	*	*	*	*	1	FEED LIFTING ECCENTRIC FORK OILING FELT SCREW										
7	544411	*	*	*	*	*	*	1	FEED LIFTING ECCENTRIC FORK SCREW										
8	543804-025	*	*	*	*	*	*	1	FEED LIFTING ECCENTRIC FORK SCREW WASHER										
9	412183	*	-	-	*	-	-	1	FEED BAR COMP.										
9	281090	-	*	*	-	*	*	1	FEED BAR COMP.										
10	545391	*	*	*	*	*	*	1	FEED DOG SUPPORT SCREW										
11	545437	*	*	*	*	*	*	1	FEED DOG SUPPORT SCREW NUT										
14	412089	*	-	-	*	-	-	1	FEED BAR HINGE SCREW										
14	281091	-	*	*	-	*	*	1	FEED BAR HINGE SCREW										
15	545405	*	-	-	*	-	-	1	FEED BAR HINGE SCREW NUT										
15	545428	-	*	*	-	*	*	1	FEED BAR HINGE SCREW NUT										
16	508327	*	*	*	*	*	*	2	FEED ROCK SHAFT STOP COLLAR COMP.										
17	154780	*	*	*	*	*	*	4	FEED ROCK SHAFT STOP COLLAR SET SCREW										
18	552523	*	*	*	*	*	*	1	FEED ROCK SHAFT BUSHING (FRONT)										
19	367397	*	*	*	*	*	*	1	FEED ROCK SHAFT BUSHING (MIDDLE)										
20	552524	*	*	*	*	*	*	1	FEED ROCK SHAFT BUSHING (BACK)										
21	552525	*	*	*	*	*	*	1	FEED ROCK SHAFT COMP.										
22	554465-004	*	*	*	*	*	*	1	FEED ROCK SHAFT OIL PACKING (WICK) (LONG)										
23	502987	*	*	*	*	*	*	2	FEED ROCK SHAFT OIL HOLE PLUG										
24	554465-001	*	*	*	*	*	*	1	FEED DRIVING ROCK SHAFT OIL PACKING (WICK) (SHORT)										

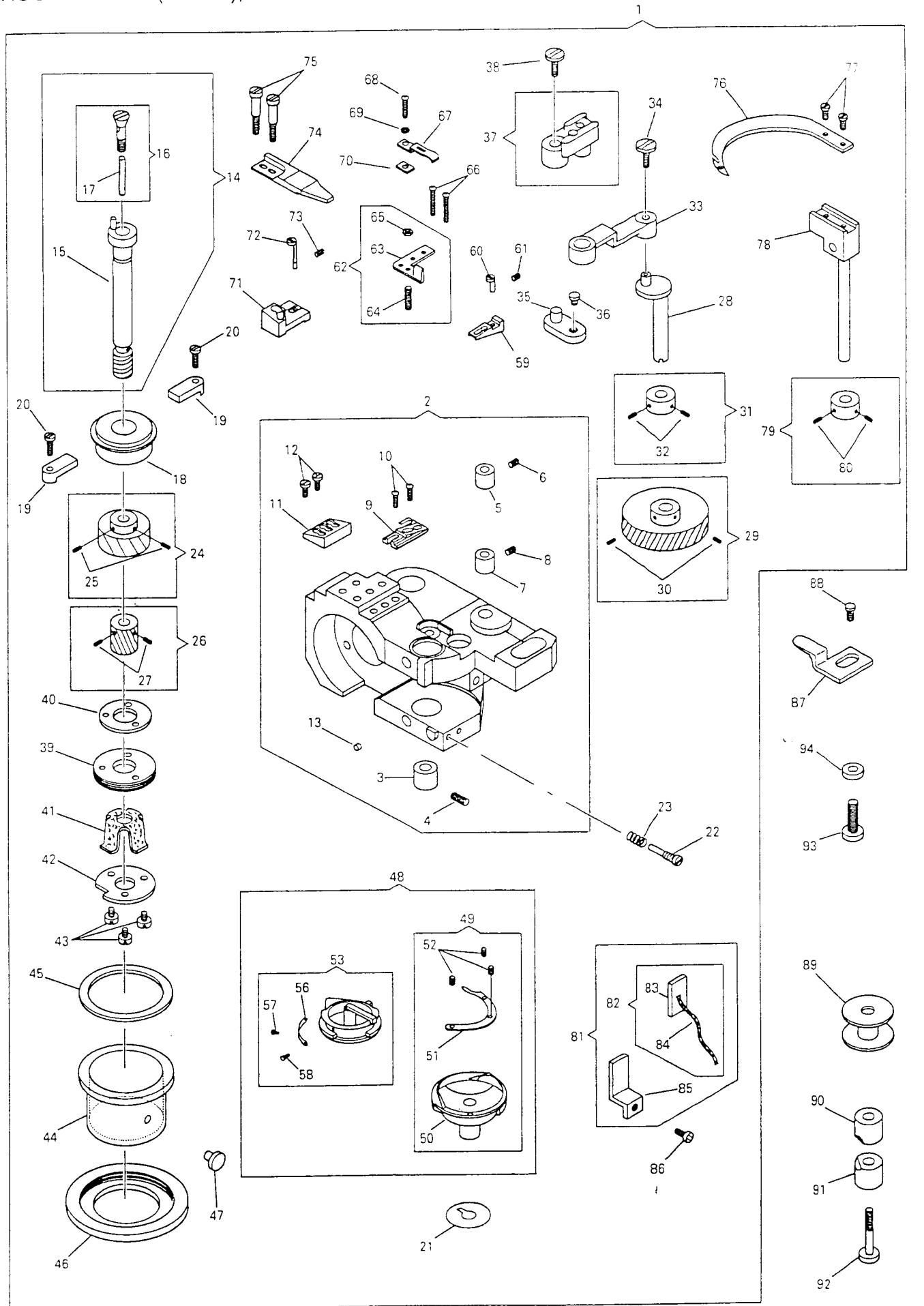
# HOOK DRIVING SHAFT, HOOK DRIVING SHAFT CONNECTION BELT PULLEY



NO.	PART NO.	141A	141B	141G	541A	541B	541G	Y	Q	DESCRIPTION
1	552528	*	*	*	*	*	*	*	1	HOOK DRIVING SHAFT
2	267195	*	*	*	*	*	*	*	1	HOOK SADDLE BEARING (LEFT)
3	416699	*	*	*	*	*	*	*	1	HOOK SADDLE BEARING (RIGHT)
4	552529	*	*	*	*	*	*	*	1	HOOK DRIVING SHAFT BUSHING (CENTER)
5	554676	*	*	*	*	*	*	*	1	HOOK DRIVING SHAFT BALL BEARING COMP.
6	544329	*	*	*	*	*	*	*	1	HOOK DRIVING SHAFT BALL BEARING COLLAR POSITION SCREW
7	544325	*	*	*	*	*	*	*	1	HOOK DRIVING SHAFT BALL BEARING COLLAR SET SCREW
8	267063	*	*	*	*	*	*	*	1	HOOK DRIVING SHAFT BALL BEARING RETAINING WASHER
9	544346	*	*	*	*	*	*	*	3	HOOK DRIVING SHAFT BALL BEARING RETAINING WASHER SCREW
10	412180	*	*	*	*	*	*	*	1	HOOK DRIVING SHAFT CONNECTION BELT PULLEY COMP.
11	202253	*	*	*	*	*	*	*	1	HOOK DRIVING SHAFT CONNECTION BELT PULLEY SPRING FLANGE
12	544385	*	*	*	*	*	*	*	2	HOOK DRIVING SHAFT CONNECTION BELT PULLEY SET SCREW
13	412034	*	*	*	*	*	*	*	2	HOOK DRIVING GEAR COMP.
14	544329	*	*	*	*	*	*	*	2	HOOK DRIVING GEAR POSITION SCREW
15	544325	*	*	*	*	*	*	*	2	HOOK DRIVING GEAR SET SCREW
16	412026	*	*	*	*	*	*	*	1	FEED LIFTING ECCENTRIC COMP.
17	544329	*	*	*	*	*	*	*	1	FEED LIFTING ECCENTRIC SET SCREW
18	552532	*	*	*	*	*	*	*	1	HOOK DRIVING SHAFT COLLAR COMP.
19	544204-002	*	*	*	*	*	*	*	2	HOOK DRIVING SHAFT COLLAR SET SCREW
20	545174-452	*	*	*	*	*	*	*	2	HOOK DRIVING SHAFT BALL BEARING COLLAR SET SCREW

NO.	PART NO.	141A	141B	141G	541A	541B	541G	Y	Q	DESCRIPTION

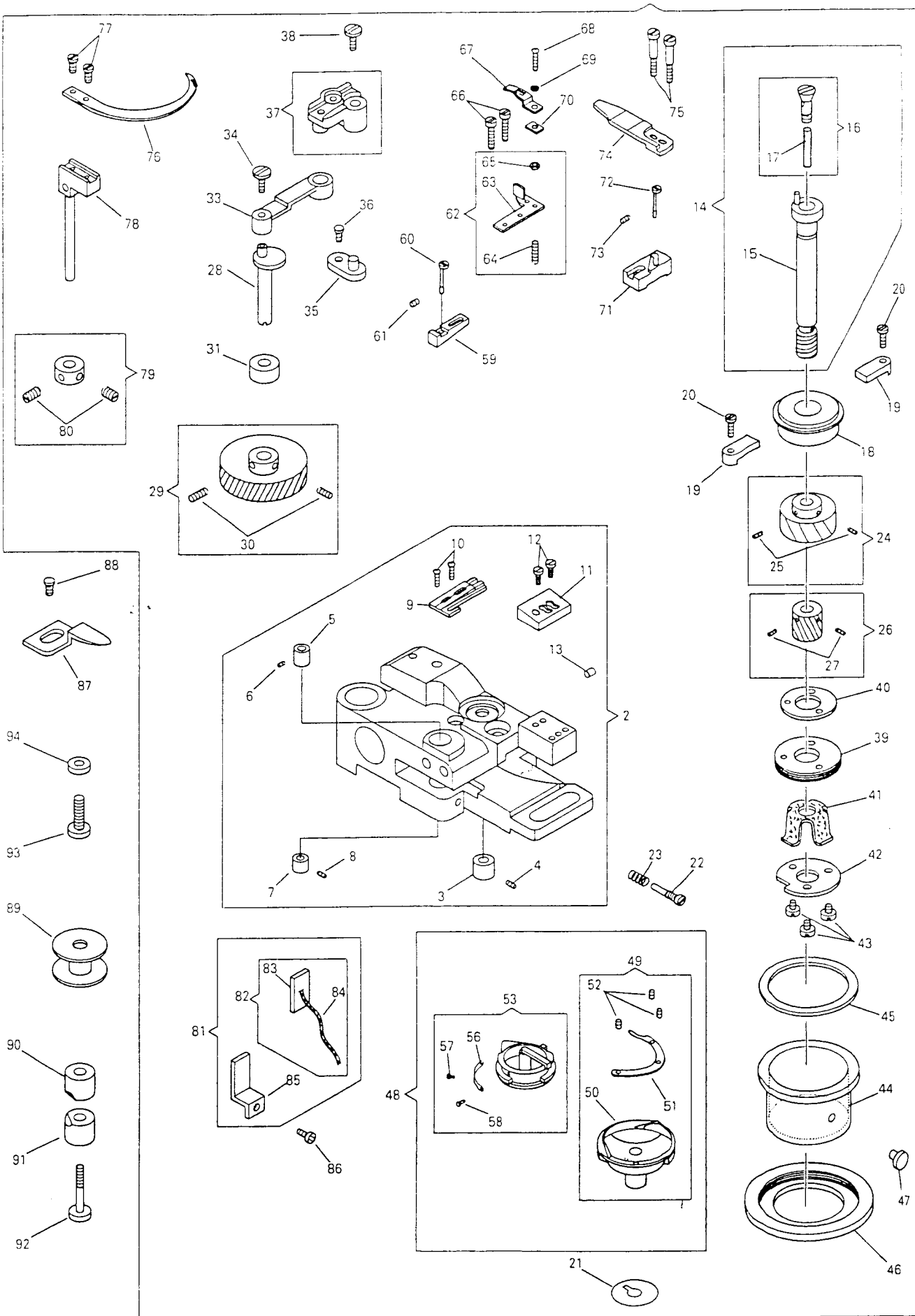
# HOOK SADDLE (RIGHT), HOOK



NO.	PART NO.	141A	141B	141G	541A	541B	541C	Y	DESCRIPTION
1	554460	*	*	*	*	*	*	1	HOOK SADDLE (RIGHT) WITH HOOK COMP.
1	554701	*	*	*	*	*	*	1	HOOK SADDLE (RIGHT) WITH HOOK COMP.
1	554706	*	*	*	*	*	*	1	HOOK SADDLE (RIGHT) WITH HOOK COMP.
1	554711	*	*	*	*	*	*	1	HOOK SADDLE (RIGHT) WITH HOOK COMP.
2	554461	*	*	*	*	*	*	1	HOOK SADDLE (RIGHT) COMP.
2	554702	*	*	*	*	*	*	1	HOOK SADDLE (RIGHT) COMP.
2	554707	*	*	*	*	*	*	1	HOOK SADDLE (RIGHT) COMP.
2	554712	*	*	*	*	*	*	1	HOOK SADDLE (RIGHT) COMP.
3	554643-001	*	*	*	*	*	*	1	HOOK SHAFT BUSHING (LOWER)
3	554643-002	*	*	*	*	*	*	1	HOOK SHAFT BUSHING (LOWER)
4	504020	*	*	*	*	*	*	1	HOOK SHAFT BUSHING (LOWER) SET SCREW
5	282784-001	*	*	*	*	*	*	1	BOBBIN CASE OPENER CAM SHAFT BUSHING (UPPER)
6	544207-011	*	*	*	*	*	*	1	BOBBIN CASE OPENER CAM SHAFT BUSHING (UPPER) SET SCREW
7	282784-002	*	*	*	*	*	*	1	BOBBIN CASE OPENER CAM SHAFT BUSHING (LOWER)
8	544207-011	*	*	*	*	*	*	1	BOBBIN CASE OPENER CAM SHAFT BUSHING (LOWER) SET SCREW
9	281039	*	*	*	*	*	*	1	THREAD PULLER SUPPORT
10	544211-052	*	*	*	*	*	*	2	ADJUSTING BLOCK (LOWER) THREAD PULLER SUPPORT
11	281040	*	*	*	*	*	*	1	ADJUSTING BLOCK (LOWER) SET SCREW
12	544211-052	*	*	*	*	*	*	2	STATIONARY KNIFE ADJUSTING BLOCK (LOWER)
13	554641	*	*	*	*	*	*	1	STATIONARY KNIFE ADJUSTING BLOCK (LOWER) SET SCREW
14	554646	*	*	*	*	*	*	1	HOOK SADDLE PLUG
15	554647	*	*	*	*	*	*	1	HOOK SHAFT OIL WICK HOLDER COMP.
16	554648	*	*	*	*	*	*	1	HOOK SHAFT OIL WICK HOLDER COMP.
17	502928	*	*	*	*	*	*	1	HOOK SHAFT OIL FELT
18	267053	*	*	*	*	*	*	1	HOOK BALL BEARING
19	514173	*	*	*	*	*	*	2	HOOK BALL BEARING RETAINER
20	504010-452	*	*	*	*	*	*	2	HOOK BALL BEARING RETAINER SCREW
21	514170	*	*	*	*	*	*	4	HOOK SPACER
22	554839	*	*	*	*	*	*	1	OIL REGULATING SCREW
23	544359	*	*	*	*	*	*	1	OIL REGULATING SCREW SPRING
24	554644	*	*	*	*	*	*	1	HOOK DRIVING PINION COMP.
25	544325	*	*	*	*	*	*	2	HOOK DRIVING PINION SET SCREW
26	554645	*	*	*	*	*	*	1	BOBBIN CASE OPENER CAM SHAFT
27	544207-011	*	*	*	*	*	*	2	ACTUATING GEAR COMP.
28	282788	*	*	*	*	*	*	1	BOBBIN CASE OPENER CAM SHAFT
29	282789	*	*	*	*	*	*	1	BOBBIN CASE OPENER CAM SHAFT
30	544207-011	*	*	*	*	*	*	2	GEAR COMP.
31	282790	*	*	*	*	*	*	1	BOBBIN CASE OPENER SHAFT
32	544207-011	*	*	*	*	*	*	2	BOBBIN CASE OPENER CAM SHAFT
33	282791	*	*	*	*	*	*	1	COLOR SET SCREW
33	282802	*	*	*	*	*	*	1	BOBBIN CASE OPENER CRANK LINK
34	544356	*	*	*	*	*	*	1	BOBBIN CASE OPENER CRANK LINK
35	412283	*	*	*	*	*	*	1	CAP SCREW
36	544383	*	*	*	*	*	*	1	BOBBIN CASE OPENER CRANK HINGE STUD
37	282792	*	*	*	*	*	*	1	BOBBIN CASE OPENER CRANK HINGE STUD SCREW
38	544356	*	*	*	*	*	*	1	BOBBIN CASE OPENER CRANK COMP.
39	554659	*	*	*	*	*	*	1	BOBBIN CASE OPENER CRANK CAP SCREW
40	554668	*	*	*	*	*	*	1	HOOK SADDLE OIL RESERVOIR BRACKET
41	281046	*	*	*	*	*	*	1	HOOK SADDLE OIL RESERVOIR BRACKET GASKET
42	554608	*	*	*	*	*	*	1	HOOK OIL FELT
43	544211-003	*	*	*	*	*	*	3	HOOK OIL FELT RETAINER
44	554658	*	*	*	*	*	*	1	HOOK OIL FELT RETAINER SCREW
45	554661	*	*	*	*	*	*	1	HOOK SADDLE OIL RESERVOIR GASKET
46	554660	*	*	*	*	*	*	1	HOOK SADDLE OIL RESERVOIR RING

NO.	PART NO.	141A	141B	141G	541A	541B	541C	Y	DESCRIPTION
47	367314	*	*	*	*	*	*	1	HOOK SADDLE OIL RESERVOIR PLUG
48	554824	*	*	*	*	*	*	1	HOOK AND BOBBIN CASE COMP.
48	554825	*	*	*	*	*	*	1	HOOK AND BOBBIN CASE COMP.
49	554606	*	*	*	*	*	*	1	HOOK COMP.
49	554611	*	*	*	*	*	*	1	HOOK COMP.
50	554607	*	*	*	*	*	*	1	HOOK (BODY)
50	554612	*	*	*	*	*	*	1	HOOK (BODY)
51	281135	*	*	*	*	*	*	1	HOOK GIB
51	412311	*	*	*	*	*	*	1	HOOK GIB
52	201253	*	*	*	*	*	*	2	HOOK GIB SCREW
52	500520	*	*	*	*	*	*	3	HOOK GIB SCREW
53	281136	*	*	*	*	*	*	1	BOBBIN CASE COMP.
53	281146	*	*	*	*	*	*	1	BOBBIN CASE COMP.
56	236083	*	*	*	*	*	*	1	BOBBIN CASE TENSION SPRING
56	510011	*	*	*	*	*	*	1	BOBBIN CASE TENSION SPRING
57	201016	*	*	*	*	*	*	1	BOBBIN CASE TENSION SPRING REGULATING SCREW
57	500519	*	*	*	*	*	*	1	BOBBIN CASE TENSION SPRING REGULATING SCREW
58	200594	*	*	*	*	*	*	1	BOBBIN CASE TENSION SPRING REGULATING SCREW
58	500518	*	*	*	*	*	*	1	BOBBIN CASE TENSION SPRING SCREW
59	281056	*	*	*	*	*	*	1	THREAD PULLER SUPPORT
60	543376	*	*	*	*	*	*	1	ADJUSTING BLOCK (UPPER)
61	544207-011	*	*	*	*	*	*	1	THREAD PULLER SUPPORT
62	281054	*	*	*	*	*	*	1	ADJUSTING BLOCK (UPPER)
63	281055	*	*	*	*	*	*	1	ECCENTRIC PIN
64	374475	*	*	*	*	*	*	1	THREAD PULLER SUPPORT
65	541159	*	*	*	*	*	*	1	TRAPPER ADJUSTING SCREW
66	374478	*	*	*	*	*	*	2	TRAPPER ADJUSTING SCREW NUT
67	281057	*	*	*	*	*	*	1	THREAD PULLER SUPPORT SCREW
68	544413	*	*	*	*	*	*	1	TRAPPER
69	408386	*	*	*	*	*	*	1	TRAPPER SET SCREW
70	548228	*	*	*	*	*	*	1	TRAPPER SET SCREW WASHER
71	281059	*	*	*	*	*	*	1	TRAPPER ADJUSTING WASHER
72	281060	*	*	*	*	*	*	1	(t=0.13M/M) STATIONARY KNIFE ADJUSTING BLOCK (UPPER)
73	544207-011	*	*	*	*	*	*	1	STATIONARY KNIFE ADJUSTING BLOCK (UPPER) ECCENTRIC PIN
74	281058	*	*	*	*	*	*	1	STATIONARY KNIFE ADJUSTING BLOCK (UPPER) ECCENTRIC PIN SET SCREW
75	374476	*	*	*	*	*	*	2	STATIONARY KNIFE
76	281050-001	*	*	*	*	*	*	1	STATIONARY KNIFE SET SCREW
77	544088	*	*	*	*	*	*	2	THREAD PULLER
78	281051	*	*	*	*	*	*	1	THREAD PULLER SCREW
79	281064	*	*	*	*	*	*	1	THREAD PULLER RETAINER BRACKET COMP.
80	544207-011	*	*	*	*	*	*	2	THREAD PULLER RETAINER BRACKET
81	552891	*	*	*	*	*	*	1	SHAFT COLLAR SET SCREW
82	552892	*	*	*	*	*	*	1	HOOK DRIVING PINION OIL FELT, OIL PACKING (WICK) COMP.
83	552894	*	*	*	*	*	*	1	HOOK DRIVING PINION OIL FELT
84	552895	*	*	*	*	*	*	1	HOOK DRIVING PINION OIL PACKING (WICK)
85	552893	*	*	*	*	*	*	1	HOOK DRIVING PINION OIL FELT BRACKET
86	544211-002	*	*	*	*	*	*	1	HOOK DRIVING PINION OIL FELT BRACKET SCREW
87	282793	*	*	*	*	*	*	1	BOBBIN CASE OPENER
88	549027	*	*	*	*	*	*	1	BOBBIN CASE OPENER CRANK HINGE STUD SCREW
89	282762	*	*	*	*	*	*	1	BOBBIN CASE OPENER SCREW
89	282763	*	*	*	*	*	*	1	BOBBIN
89	282764	*	*	*	*	*	*	1	BOBBIN
90	412115	*	*	*	*	*	*	1	BOBBIN
91	267139	*	*	*	*	*	*	1	PINCH SLEEVE (UPPER)
92	544364	*	*	*	*	*	*	1	PINCH SLEEVE (LOWER)
93	544334	*	*	*	*	*	*	1	PINCH SLEEVE SCREW
94	225585	*	*	*	*	*	*	1	HOOK SADDLE (RIGHT) SCREW
		*	*	*	*	*	*	1	HOOK SADDLE (RIGHT) SCREW WASHER

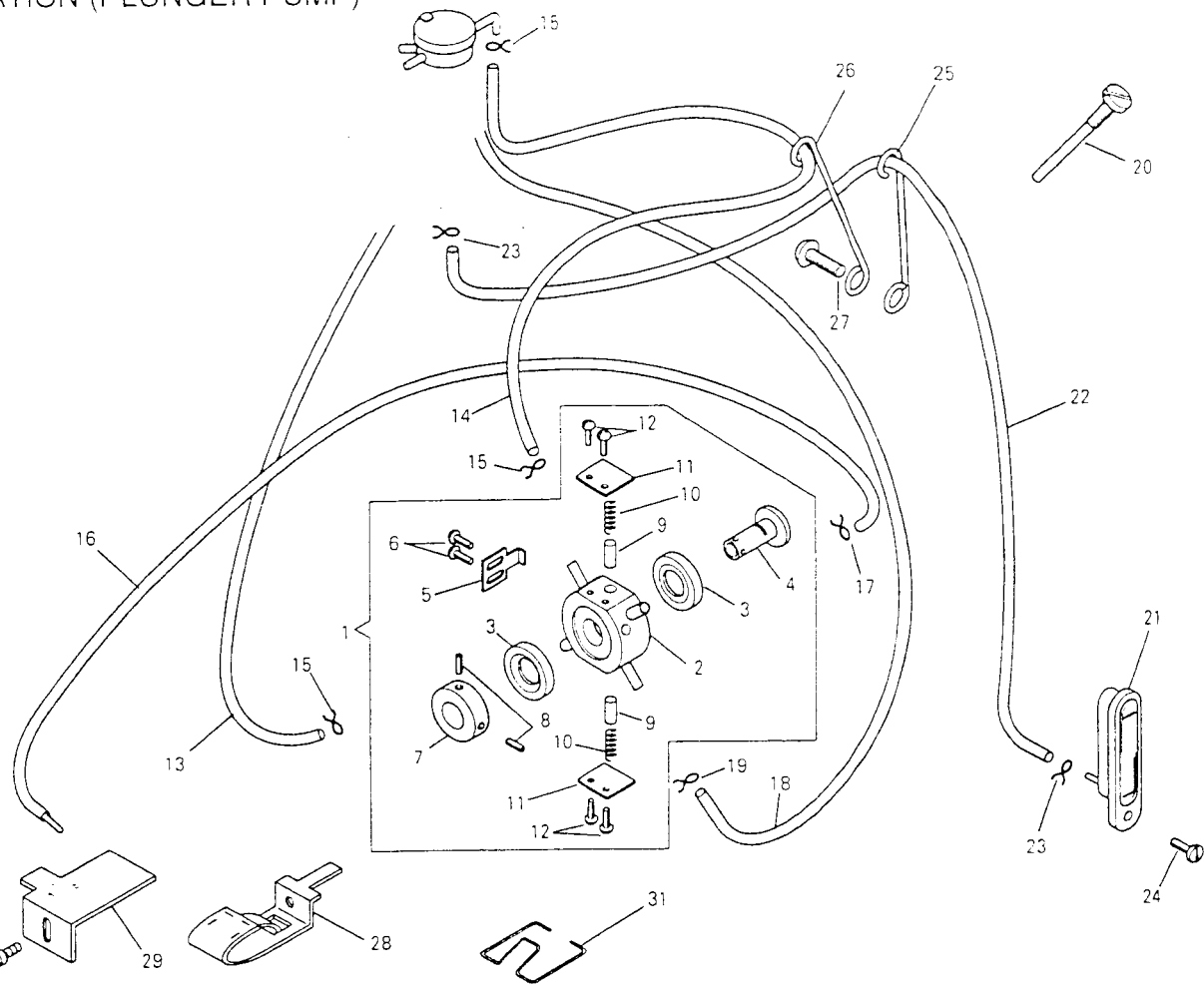
# HOOK SADDLE (LEFT), HOOK



NO.	PART NO.	141A	141B	141G	541A	541B	541G	Y	DESCRIPTION
1	554462	*	*	*	*	*	*	1	HOOK SADDLE (LEFT) WITH HOOK COMP.
1	554703	*	*	*	*	*	*	1	HOOK SADDLE (LEFT) WITH HOOK COMP.
1	554708	*	*	*	*	*	*	1	HOOK SADDLE (LEFT) WITH HOOK COMP.
1	554714	*	*	*	*	*	*	1	HOOK SADDLE (LEFT) WITH HOOK COMP.
2	554463	*	*	*	*	*	*	1	HOOK SADDLE (LEFT) COMP.
2	554704	*	*	*	*	*	*	1	HOOK SADDLE (LEFT) COMP.
2	554709	*	*	*	*	*	*	1	HOOK SADDLE (LEFT) COMP.
2	554715	*	*	*	*	*	*	1	HOOK SADDLE (LEFT) COMP.
3	554643-001	*	*	*	*	*	*	1	HOOK SHAFT BUSHING (LOWER)
3	554643-002	*	*	*	*	*	*	1	HOOK SHAFT BUSHING (LOWER)
4	504020	*	*	*	*	*	*	1	HOOK SHAFT BUSHING (LOWER) SET SCREW
5	282784-001	*	*	*	*	*	*	1	BOBBIN CASE OPENER CAM SHAFT BUSHING (UPPER)
6	544207-011	*	*	*	*	*	*	1	BOBBIN CASE OPENER CAM SHAFT BUSHING (UPPER) SET SCREW
7	282797	*	*	*	*	*	*	1	BOBBIN CASE OPENER CAM SHAFT BUSHING (LOWER)
8	544207-011	*	*	*	*	*	*	1	BOBBIN CASE OPENER CAM SHAFT BUSHING (LOWER) SET SCREW
9	281039	*	*	*	*	*	*	1	THREAD PULLER SUPPORT ADJUSTING
10	544211-052	*	*	*	*	*	*	2	BLOCK (LOWER) THREAD PULLER SUPPORT ADJUSTING BLOCK (LOWER) SET SCREW
11	281040	*	*	*	*	*	*	1	STATIONARY KNIFE ADJUSTING BLOCK (LOWER)
12	544211-052	*	*	*	*	*	*	2	STATIONARY KNIFE ADJUSTING BLOCK (LOWER) SET SCREW
13	554641	*	*	*	*	*	*	1	HOOK SADDLE PLUG
14	554646	*	*	*	*	*	*	1	HOOK SHAFT HOOK SHAFT OIL WICK HOLDER COMP.
15	554647	*	*	*	*	*	*	1	HOOK SHAFT COMP.
16	554648	*	*	*	*	*	*	1	HOOK SHAFT OIL WICK HOLDER COMP.
17	502928	*	*	*	*	*	*	1	HOOK SHAFT OIL FELT
18	267053	*	*	*	*	*	*	1	HOOK BALL BEARING
19	514173	*	*	*	*	*	*	2	HOOK BALL BEARING RETAINER
20	504010-452	*	*	*	*	*	*	2	HOOK BALL BEARING RETAINER SCREW
21	514170	*	*	*	*	*	*	4	HOOK SPACER
22	554839	*	*	*	*	*	*	1	OIL REGULATING SCREW
23	544958	*	*	*	*	*	*	1	OIL REGULATING SCREW SPRING
24	554644	*	*	*	*	*	*	1	HOOK DRIVING PINION COMP.
25	544325	*	*	*	*	*	*	2	HOOK DRIVING PINION SET SCREW
26	554645	*	*	*	*	*	*	1	BOBBIN CASE OPENER CAM SHAFT ACTUATING GEAR COMP.
27	544207-011	*	*	*	*	*	*	2	BOBBIN CASE OPENER CAM SHAFT ACTUATING GEAR SET SCREW
28	282788	*	*	*	*	*	*	1	BOBBIN CASE OPENER CAM SHAFT
29	282789	*	*	*	*	*	*	1	BOBBIN CASE OPENER CAM SHAFT GEAR COMP.
30	544207-011	*	*	*	*	*	*	2	BOBBIN CASE OPENER SHAFT GEAR SET SCREW
31	282798	*	*	*	*	*	*	1	BOBBIN CASE OPENER SHAFT SPACER
33	282791	*	*	*	*	*	*	1	BOBBIN CASE OPENER CRANK LINK
33	282802	*	*	*	*	*	*	1	BOBBIN CASE OPENER CRANK LINK
34	544356	*	*	*	*	*	*	1	BOBBIN CASE OPENER CRANK LINK CAP SCREW
35	412283	*	*	*	*	*	*	1	BOBBIN CASE OPENER CRANK HINGE STUD
36	544383	*	*	*	*	*	*	1	BOBBIN CASE OPENER CRANK HINGE STUD SCREW
37	282792	*	*	*	*	*	*	1	BOBBIN CASE OPENER CRANK COMP.
38	544356	*	*	*	*	*	*	1	BOBBIN CASE OPENER CRANK CAP SCREW
39	554659	*	*	*	*	*	*	1	HOOK SADDLE OIL RESERVOIR BRACKET
40	554668	*	*	*	*	*	*	1	HOOK SADDLE OIL RESERVOIR BRACKET GASKET
41	281046	*	*	*	*	*	*	1	HOOK OIL FELT
42	554668	*	*	*	*	*	*	1	HOOK OIL FELT RETAINER
43	544211-003	*	*	*	*	*	*	3	HOOK OIL FELT RETAINER SCREW
44	554658	*	*	*	*	*	*	1	HOOK SADDLE OIL RESERVOIR
45	554661	*	*	*	*	*	*	1	HOOK SADDLE OIL RESERVOIR GASKET
46	554660	*	*	*	*	*	*	1	HOOK SADDLE OIL RESERVOIR RING
47	367314	*	*	*	*	*	*	1	HOOK SADDLE OIL RESERVOIR PLUG
48	554824	*	*	*	*	*	*	1	HOOK AND BOBBIN CASE COMP.
48	554825	*	*	*	*	*	*	1	HOOK AND BOBBIN CASE COMP.

NO.	PART NO.	141A	141B	141G	541A	541B	541G	Y	DESCRIPTION
49	554606	*	*	*	*	*	*	1	HOOK COMP
49	554611	*	*	*	*	*	*	1	HOOK COMP
50	554607	*	*	*	*	*	*	1	HOOK (BODY)
50	554612	*	*	*	*	*	*	1	HOOK (BODY)
51	281135	*	*	*	*	*	*	1	HOOK GIB
51	412311	*	*	*	*	*	*	1	HOOK GIB
52	201253	*	*	*	*	*	*	2	HOOK GIB SCREW
52	500520	*	*	*	*	*	*	3	HOOK GIB SCREW
53	281136	*	*	*	*	*	*	1	BOBBIN CASE COMP.
53	281146	*	*	*	*	*	*	1	BOBBIN CASE COMP.
56	236083	*	*	*	*	*	*	1	BOBBIN CASE TENSION SPRING
56	510011	*	*	*	*	*	*	1	BOBBIN CASE TENSION SPRING
57	201016	*	*	*	*	*	*	1	BOBBIN CASE TENSION SPRING REGULATING SCREW
57	500519	*	*	*	*	*	*	1	BOBBIN CASE TENSION SPRING REGULATING SCREW
58	200594	*	*	*	*	*	*	1	BOBBIN CASE TENSION SPRING SCREW
58	500518	*	*	*	*	*	*	1	BOBBIN CASE TENSION SPRING SCREW
59	281056	*	*	*	*	*	*	1	THREAD PULLER SUPPORT ADJUSTING BLOCK (UPPER)
60	543376	*	*	*	*	*	*	1	THREAD PULLER SUPPORT ADJUSTING BLOCK (UPPER) ECCENTRIC PIN
61	544207-011	*	*	*	*	*	*	1	THREAD PULLER SUPPORT ADJUSTING BLOCK (UPPER) ECCENTRIC PIN SET SCREW
62	281054	*	*	*	*	*	*	1	THREAD PULLER SUPPORT COMP.
63	281055	*	*	*	*	*	*	1	THREAD PULLER SUPPORT
64	374475	*	*	*	*	*	*	1	TRAPPER ADJUSTING SCREW
65	541159	*	*	*	*	*	*	1	TRAPPER ADJUSTING SCREW NUT
66	374478	*	*	*	*	*	*	2	THREAD PULLER SUPPORT SCREW
67	281057	*	*	*	*	*	*	1	TRAPPER
68	544413	*	*	*	*	*	*	1	TRAPPER SET SCREW
69	408386	*	*	*	*	*	*	1	TRAPPER SET SCREW WASHER
70	548228	*	*	*	*	*	*	1	TRAPPER ADJUSTING WASHER (t=0.13M/M)
71	281059	*	*	*	*	*	*	1	STATIONARY KNIFE ADJUSTING BLOCK (UPPER)
72	281060	*	*	*	*	*	*	1	STATIONARY KNIFE ADJUSTING BLOCK (UPPER) ECCENTRIC PIN
73	544207-011	*	*	*	*	*	*	1	STATIONARY KNIFE ADJUSTING BLOCK (UPPER) ECCENTRIC PIN SET SCREW
74	281058	*	*	*	*	*	*	1	STATIONARY KNIFE
75	374476	*	*	*	*	*	*	2	STATIONARY KNIFE SET SCREW
76	281050-001	*	*	*	*	*	*	1	THREAD PULLER
77	544088	*	*	*	*	*	*	2	THREAD PULLER SCREW
78	281051	*	*	*	*	*	*	2	THREAD PULLER RETAINER BRACKET COMP.
79	281064	*	*	*	*	*	*	1	THREAD PULLER RETAINER BRACKET SHAFT COLLAR COMP.
80	544207-011	*	*	*	*	*	*	2	THREAD PULLER RETAINER BRACKET SHAFT COLLAR SET SCREW
81	552891	*	*	*	*	*	*	1	HOOK DRIVING PINION OIL FELT, OIL FELT BRACKET COMP.
82	552892	*	*	*	*	*	*	1	HOOK DRIVING PINION OIL FELT, OIL PACKING (WICK) COMP.
83	552894	*	*	*	*	*	*	1	HOOK DRIVING PINION OIL FELT
84	552895	*	*	*	*	*	*	1	HOOK DRIVING PINION OIL PACKING (WICK)
85	552893	*	*	*	*	*	*	1	HOOK DRIVING PINION OIL FELT BRACKET
86	544211-002	*	*	*	*	*	*	1	HOOK DRIVING PINION OIL FELT BRACKET SCREW
87	282793	*	*	*	*	*	*	1	BOBBIN CASE OPENER
88	549027	*	*	*	*	*	*	1	BOBBIN CASE OPENER SCREW
89	282762	*	*	*	*	*	*	1	BOBBIN
89	282763	*	*	*	*	*	*	1	BOBBIN
89	282764	*	*	*	*	*	*	1	BOBBIN
90	412115	*	*	*	*	*	*	1	PINCH SLEEVE (UPPER)
91	267139	*	*	*	*	*	*	1	PINCH SLEEVE (LOWER)
92	544364	*	*	*	*	*	*	1	PINCH SLEEVE SCREW
93	414742	*	*	*	*	*	*	1	HOOK SADDLE (LEFT) SCREW
94	225585	*	*	*	*	*	*	1	HOOK SADDLE (LEFT) SCREW WASHER

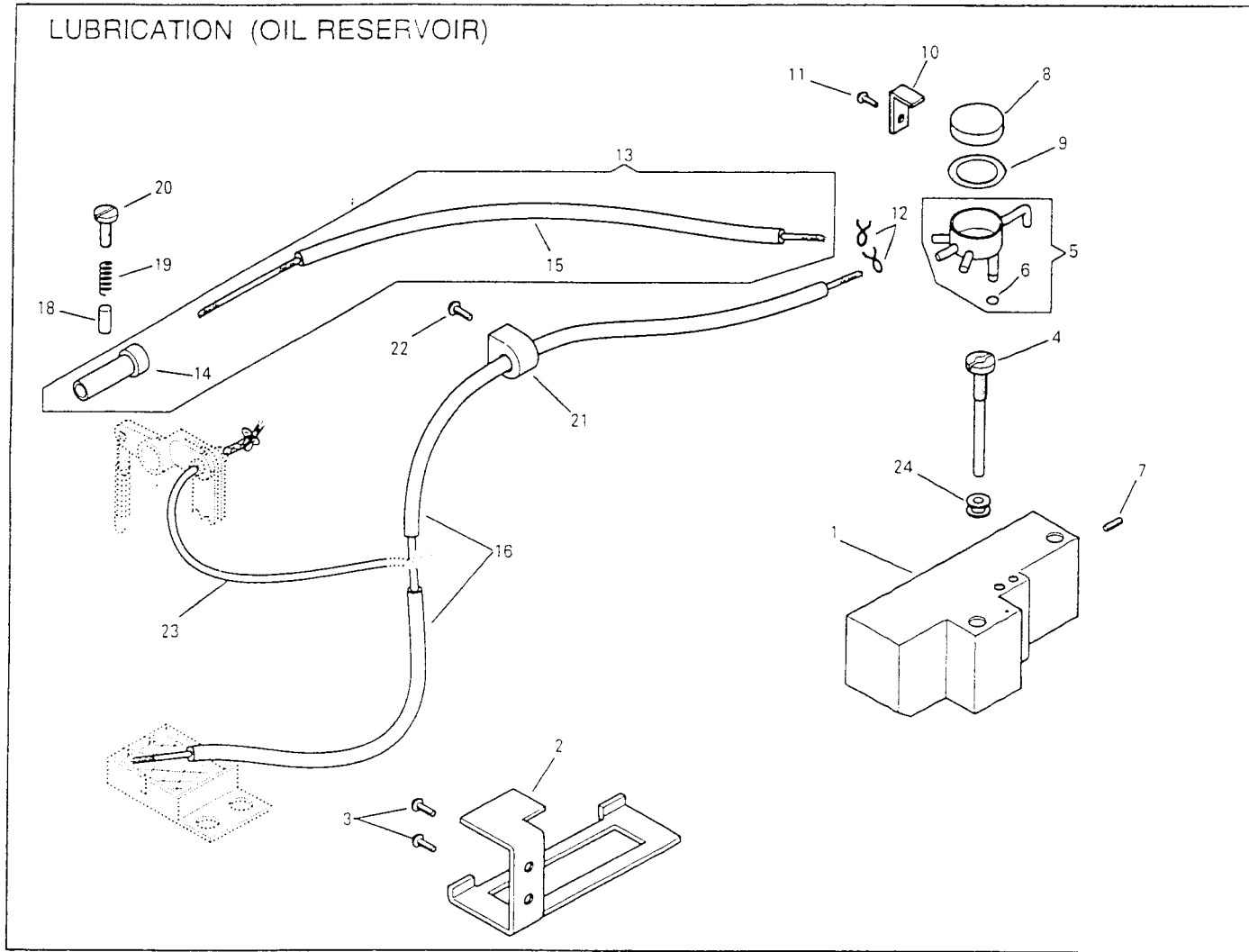
# LUBRICATION (PLUNGER PUMP)



NO	PART NO.	141A	141B	141G	541A	541B	541G	Y	T-O	DESCRIPTION
1	554346	*	*	*	*	*	*	1		PLUNGER PUMP COMP.
2	554347	*	*	*	*	*	*	1		PLUNGER PUMP (BODY) COMP.
3	554349	*	*	*	*	*	*	2		OIL SEAL
4	554351	*	*	*	*	*	*	1		PLUNGER PUMP ROTOR
5	554353	*	*	*	*	*	*	1		PLUNGER PUMP ROTOR RETAINER
6	544211-002	*	*	*	*	*	*	2		PLUNGER PUMP ROTOR RETAINER SCREW
7	554352	*	*	*	*	*	*	1		PLUNGER PUMP ROTOR COLLAR
8	549293	*	*	*	*	*	*	2		PLUNGER PUMP ROTOR COLLAR SET SCREW
9	540556	*	*	*	*	*	*	2		PLUNGER PUMP PISTON
10	410710	*	*	*	*	*	*	2		PLUNGER PUMP PISTON SPRING
11	554354	*	*	*	*	*	*	2		PLUNGER PUMP PISTON SPRING RETAINER
12	544211-002	*	*	*	*	*	*	4		PLUNGER PUMP PISTON SPRING RETAINER SCREW
13	552826	*	*	*	*	*	*	1		OIL TUBE (SUCTION)
14	552827	*	*	*	*	*	*	1		OIL TUBE (DISCHARGE)
15	552809	*	*	*	*	*	*	3		OIL TUBE CLIP
16	552833	*	*	*	*	*	*	1		OIL REMOVING TUBE (SUCTION) COMP.
17	552810	*	*	*	*	*	*	1		OIL REMOVING TUBE CLIP
18	554464	*	*	*	*	*	*	1		OIL REMOVING TUBE (DISCHARGE)
19	552810	*	*	*	*	*	*	1		OIL REMOVING TUBE (DISCHARGE) CLIP
20	374543	*	*	*	*	*	*	1		PLUNGER PUMP SUPPORT SCREW
21	552546-401	*	*	*	*	*	*	1		OIL GAUGE COMP.
22	552828	*	*	*	*	*	*	1		OIL TUBE (FOR OIL GAUGE)
23	552809	*	*	*	*	*	*	2		OIL TUBE (FOR OIL GAUGE) CLIP
24	545671	*	*	*	*	*	*	1		OIL GAUGE SCREW
25	554537	*	*	*	*	*	*	1		OIL TUBE RETAINER (FOR OIL GAUGE)
26	552829	*	*	*	*	*	*	1		OIL TUBE RETAINER (FOR DISCHARGE)
27	544217-052	*	*	*	*	*	*	1		OIL TUBE RETAINER SCREW
28	554306	*	*	*	*	*	*	1		OIL REMOVING LINT SCREEN
29	554433	*	*	*	*	*	*	1		OIL REMOVING LINT SCREEN BRACKET

NO	PART NO.	141A	141B	141G	541A	541B	541G	Y	T-O	DESCRIPTION
30	544269	*	*	*	*	*	*	1		OIL REMOVING LINT SCREEN BRACKET SCREW
31	554860	*	*	*	*	*	*	1		OIL REMOVING LINT SCREEN RETAINER

# LUBRICATION (OIL RESERVOIR)

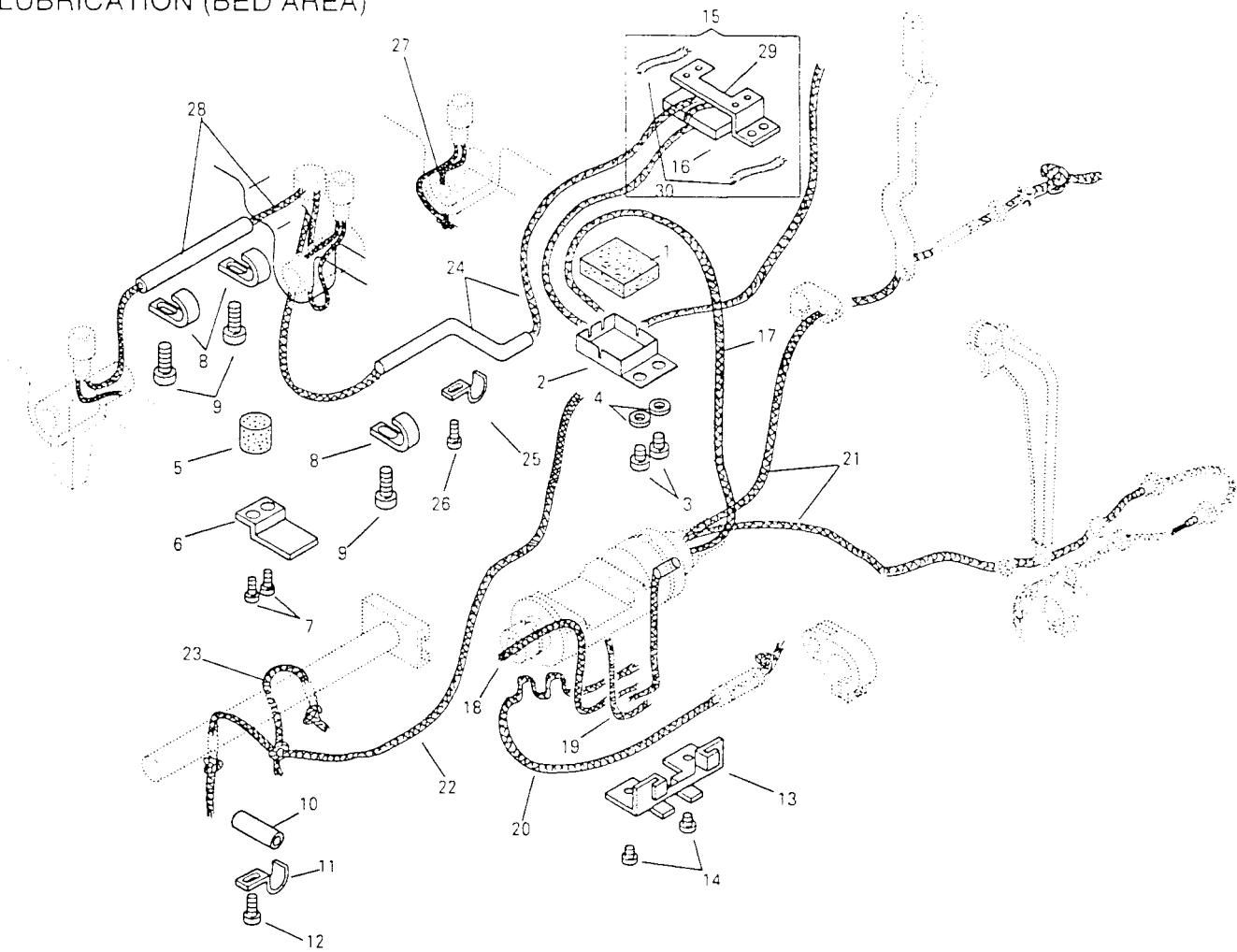


NO.	PART NO.	141A	141B	141G	541A	541B	541G	Y-T-D	DESCRIPTION
		*	*	*	*	*	*		
1	552548	*	*	*	*	*	*	1	OIL RESERVOIR
2	552550	*	*	*	*	*	*	1	OIL RESERVOIR BRACKET
3	374399-002	*	*	*	*	*	*	2	OIL RESERVOIR BRACKET SCREW
4	374560	*	*	*	*	*	*	1	OIL SUPPLY SLEEVE SCREW
5	554362	*	*	*	*	*	*	1	OIL DISTRIBUTOR AND O-RING COMP.
6	543871-006	*	*	*	*	*	*	1	OIL DISTRIBUTOR O-RING
7	544202-002	*	*	*	*	*	*	1	OIL DISTRIBUTOR SCREW
8	552507	*	*	*	*	*	*	1	OIL DISTRIBUTOR CAP
9	554439	*	*	*	*	*	*	1	OIL DISTRIBUTOR CAP O-RING
10	552476	*	*	*	*	*	*	1	OIL DISTRIBUTOR CAP RETAINER
11	544216-001	*	*	*	*	*	*	1	OIL DISTRIBUTOR CAP RETAINER SCREW
12	552809	*	*	*	*	*	*	2	OIL DISTRIBUTOR TUBE CLIP
13	554314	*	*	*	*	*	*	1	TAKE-UP LEVER OIL TUBE, OIL FLOW ADJUSTING RUBBER SLEEVE COMP.
14	554313	*	*	*	*	*	*	1	TAKE-UP LEVER OIL FLOW ADJUSTING RUBBER SLEEVE
15	552830	*	*	*	*	*	*	1	TAKE-UP LEVER OIL TUBE AND WICK COMP.
16	552831	*	*	*	*	*	*	1	OIL TUBE (FOR BED) COMP.
18	554311	*	*	*	*	*	*	1	TAKE-UP LEVER OIL FLOW ADJUSTING PIN
19	554863	*	*	*	*	*	*	1	TAKE-UP LEVER OIL FLOW ADJUSTING SCREW SPRING
20	544290	*	*	*	*	*	*	1	TAKE-UP LEVER OIL FLOW ADJUSTING SCREW
21	554528	*	*	*	*	*	*	1	OIL FLOW ADJUSTING COLLAR
22	545136-452	*	*	*	*	*	*	1	OIL FLOW ADJUSTING COLLAR SCREW
23	554523	*	*	*	*	*	*	1	FEED REGULATOR SHAFT ARM STUD OIL WICK
24	543683	*	*	*	*	*	*	1	OIL RESERVOIR GROMMETS

NO.	PART NO.	141A	141B	141G	541A	541B	541G	Y-T-D	DESCRIPTION



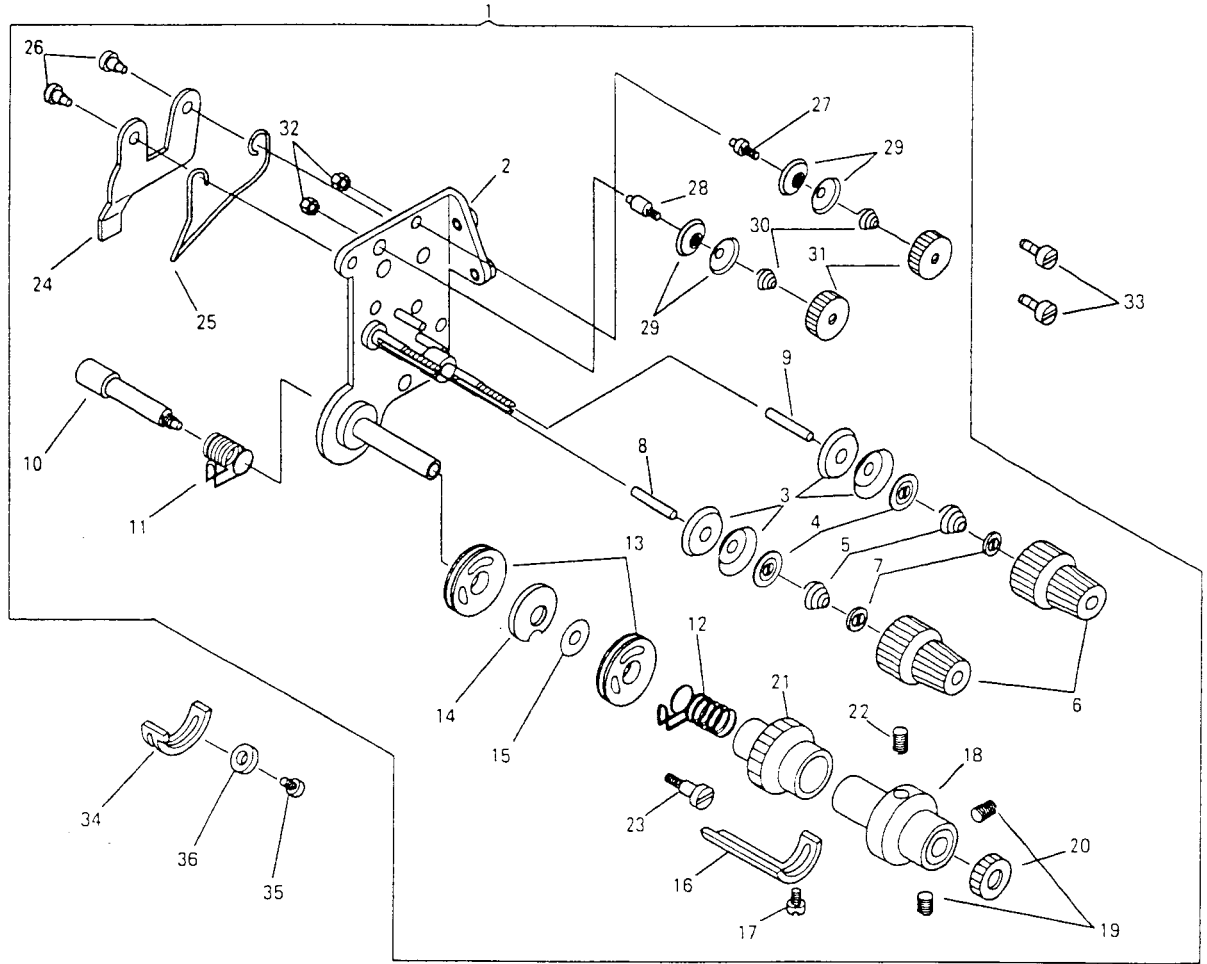
# LUBRICATION (BED AREA)



QTY	PART NO.	141A	141B	141G	541A	541B	541G	QTY	DESCRIPTION
1	552551	*	*	*	*	*	*	1	BED OIL FELT
1	552552	*	*	*	*	*	*	1	BED OIL FELT BARKET
2	544212-052	*	*	*	*	*	*	2	BED OIL FELT BRACKET SCREW
2	543803-003	*	*	*	*	*	*	2	BED OIL FELT BRACKET SCREW WASHER
1	552553	*	*	*	*	*	*	1	HOO K DRIVING SHAFT OIL FELT
1	552554	*	*	*	*	*	*	1	HOO K DRIVING SHAFT OIL FELT BARKET
2	544212-051	*	*	*	*	*	*	2	HOO K DRIVING SHAFT OIL FELT BARKET SCREW
3	552555	*	*	*	*	*	*	3	HOO K DRIVING SHAFT OIL WICK TUBE RETAINER
3	544212-051	*	*	*	*	*	*	3	HOO K DRIVING SHAFT OIL WICK TUBE RETAINER SCREW
1	552556	*	*	*	*	*	*	1	FEED ROCK SHAFT OIL WICK TUBE
1	418604	*	*	*	*	*	*	1	FEED ROCK SHAFT OIL WICK TUBE RETAINER
1	544212-051	*	*	*	*	*	*	1	FEED ROCK SHAFT OIL WICK TUBE RETAINER SCREW
1	552557	*	*	*	*	*	*	1	FEED ROCK SHAFT DRIVING FRAME OIL WICK BRACKET
2	544212-001	*	*	*	*	*	*	2	FEED ROCK SHAFT DRIVING FRAME OIL WICK BRACKET SCREW
1	554440	*	*	*	*	*	*	1	FEED DRIVING ECCENTRIC CONNECTION FELT COMP.
1	554441	*	*	*	*	*	*	1	FEED DRIVING ECCENTRIC CONNECTION FELT
1	554465-006	*	*	*	*	*	*	1	FEED ROCK SHAFT DRIVING FRAME OIL WICK (LONG)
1	554465-011	*	*	*	*	*	*	1	FEED ROCK SHAFT DRIVING FRAME OIL WICK (SHORT)
1	554524	*	*	*	*	*	*	1	FEED ROCK SHAFT DRIVING LINK OIL WICK
1	554465-007	*	*	*	*	*	*	1	FEED ROCK SHAFT CRANK PIN OIL WICK
1	554465-005	*	*	*	*	*	*	1	NEEDLE BAR ROCK FRAME ROCK SHAFT CRANK OIL WICK

QTY	PART NO.	141A	141B	141G	541A	541B	541G	QTY	DESCRIPTION
1	554465-013	*	*	*	*	*	*	1	FEED ROCK SHAFT OIL WICK
1	554465-012	*	*	*	*	*	*	1	FEED ROCK SHAFT OIL WICK (RIGHT)
1	554467	*	*	*	*	*	*	1	HOO K DRIVING SHAFT OIL TUBE AND WICK
1	418604	*	*	*	*	*	*	1	HOO K DRIVING SHAFT OIL TUBE RETAINER (SMALL)
1	544212-051	*	*	*	*	*	*	1	HOO K DRIVING SHAFT OIL TUBE RETAINER (SMALL) SCREW
1	554465-010	*	*	*	*	*	*	1	HOO K DRIVING SHAFT BUSHING (CENTER) OIL WICK
1	554468	*	*	*	*	*	*	1	HOO K DRIVING SHAFT BUSHING (FRONT) OIL TUBE COMP.
1	554442	*	*	*	*	*	*	1	FEED DRIVING ECCENTRIC CONNECTION FELT BRACKET
1	554781	*	*	*	*	*	*	1	FEED DRIVING ECCENTRIC CONNECTION FELT CORD.

# TENSION

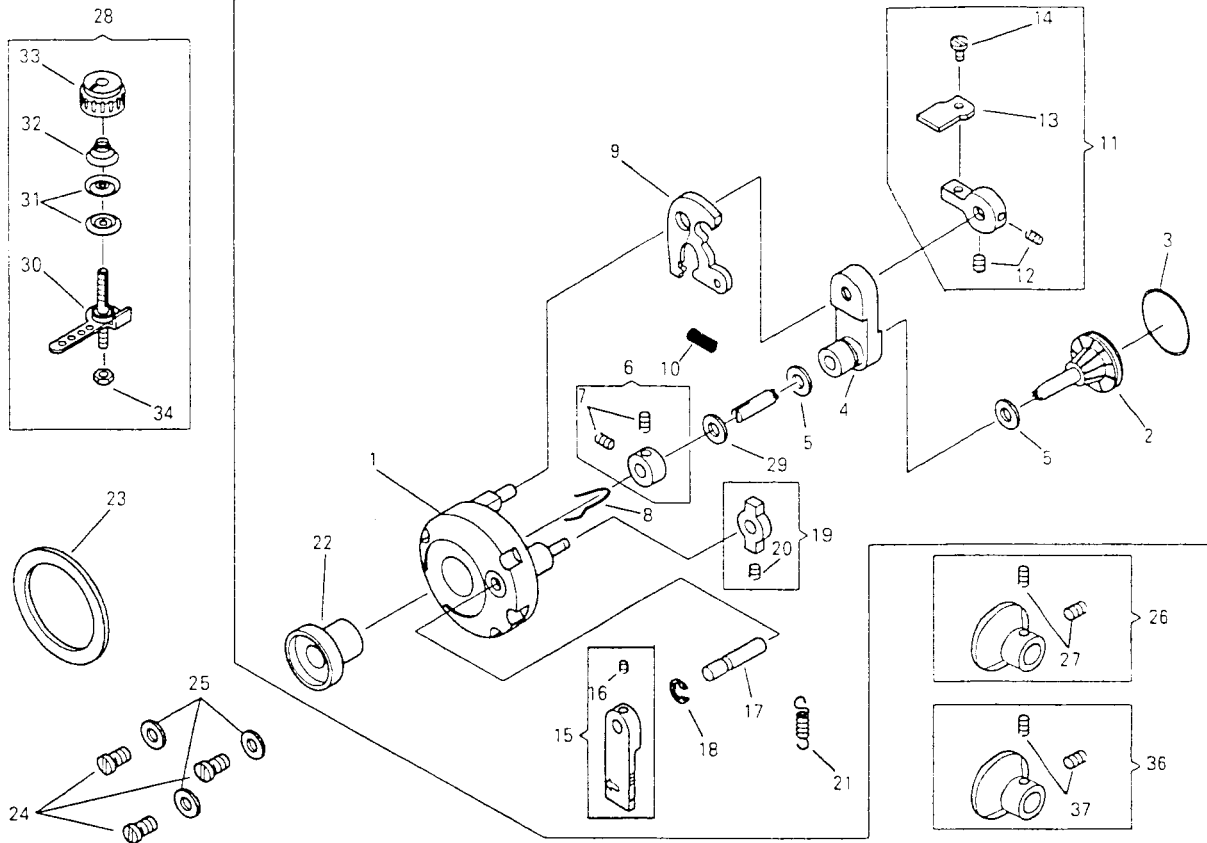


NO	PART NO.	141A	141B	141G	541A	541B	541G	Y	DESCRIPTION
1	552558	*	*	*	*	*	*	1	TENSION BRACKET COMP.
2	552559	*	*	*	*	*	*	1	TENSION BRACKET BODY COMP.
3	2102	*	*	*	*	*	*	4	TENSION DISC
4	414273	*	*	*	*	*	*	2	TENSION RELEASE WASHER
5	552836	*	*	*	*	*	*	2	TENSION SPRING
6	552838	*	*	*	*	*	*	2	TENSION REGULATING THUMB NUT
7	411154	*	*	*	*	*	*	2	TENSION REGULATING THUMB NUT WASHER
8	552563-001	*	*	*	*	*	*	1	TENSION RELEASE PLUNGER (SHORT)
9	552563-003	*	*	*	*	*	*	1	TENSION RELEASE PLUNGER (LONG)
10	552843	*	*	*	*	*	*	1	THREAD CONTROLLER STUD
11	552565	*	*	*	*	*	*	1	THREAD CONTROLLER SPRING (BACK)
12	552942	*	*	*	*	*	*	1	THREAD CONTROLLER SPRING (FRONT)
13	412202	*	*	*	*	*	*	2	THREAD CONTROLLER DISC
14	552900	*	*	*	*	*	*	1	THREAD CONTROLLER DISC WASHER (LARGE)
15	367380	*	*	*	*	*	*	1	THREAD CONTROLLER DISC WASHER (SMALL)
16	552839	*	*	*	*	*	*	1	THREAD CONTROLLER SPRING (FRONT) STOP
17	544211-001	*	*	*	*	*	*	1	THREAD CONTROLLER SPRING (FRONT) STOP SCREW
18	552840	*	*	*	*	*	*	1	THREAD CONTROLLER SPRING HOLDER SLEEVE
19	544202-002	*	*	*	*	*	*	2	THREAD CONTROLLER SPRING HOLDER SLEEVE SCREW
20	552841	*	*	*	*	*	*	1	THREAD CONTROLLER STUD NUT
21	552845	*	*	*	*	*	*	1	THREAD CONTROLLER SPRING HOLDER
22	544203-001	*	*	*	*	*	*	1	THREAD CONTROLLER SPRING HOLDER SCREW
23	414770	*	*	*	*	*	*	1	THREAD CONTROLLER DISC SCREW
24	417124	*	*	*	*	*	*	1	TENSION RELEASE PLATE
25	412200	*	*	*	*	*	*	1	TENSION RELEASE PLATE SPRING
26	544343	*	*	*	*	*	*	2	TENSION RELEASE PLATE SCREW

NO	PART NO.	141A	141B	141G	541A	541B	541G	Y	DESCRIPTION
27	552567	*	*	*	*	*	*	1	PRE-TENSION STUD (SHORT)
28	552568	*	*	*	*	*	*	1	PRE-TENSION STUD (LONG)
29	417122	*	*	*	*	*	*	4	PRE-TENSION DISC
30	417123	*	*	*	*	*	*	2	PRE-TENSION SPRING
31	414784	*	*	*	*	*	*	2	PRE-TENSION THUMB NUT
32	414783	*	*	*	*	*	*	2	PRE-TENSION STUD LOCK NUT
33	549168	*	*	*	*	*	*	2	TENSION BRACKET SCREW
34	412419	*	*	*	*	*	*	1	THREAD CONTROLLER SPRING (BACK) STOP
35	545092	*	*	*	*	*	*	1	THREAD CONTROLLER SPRING (BACK) STOP SCREW
36	543805-003	*	*	*	*	*	*	1	THREAD CONTROLLER SPRING (BACK) STOP SCREW WASHER

# BOBBIN WINDER

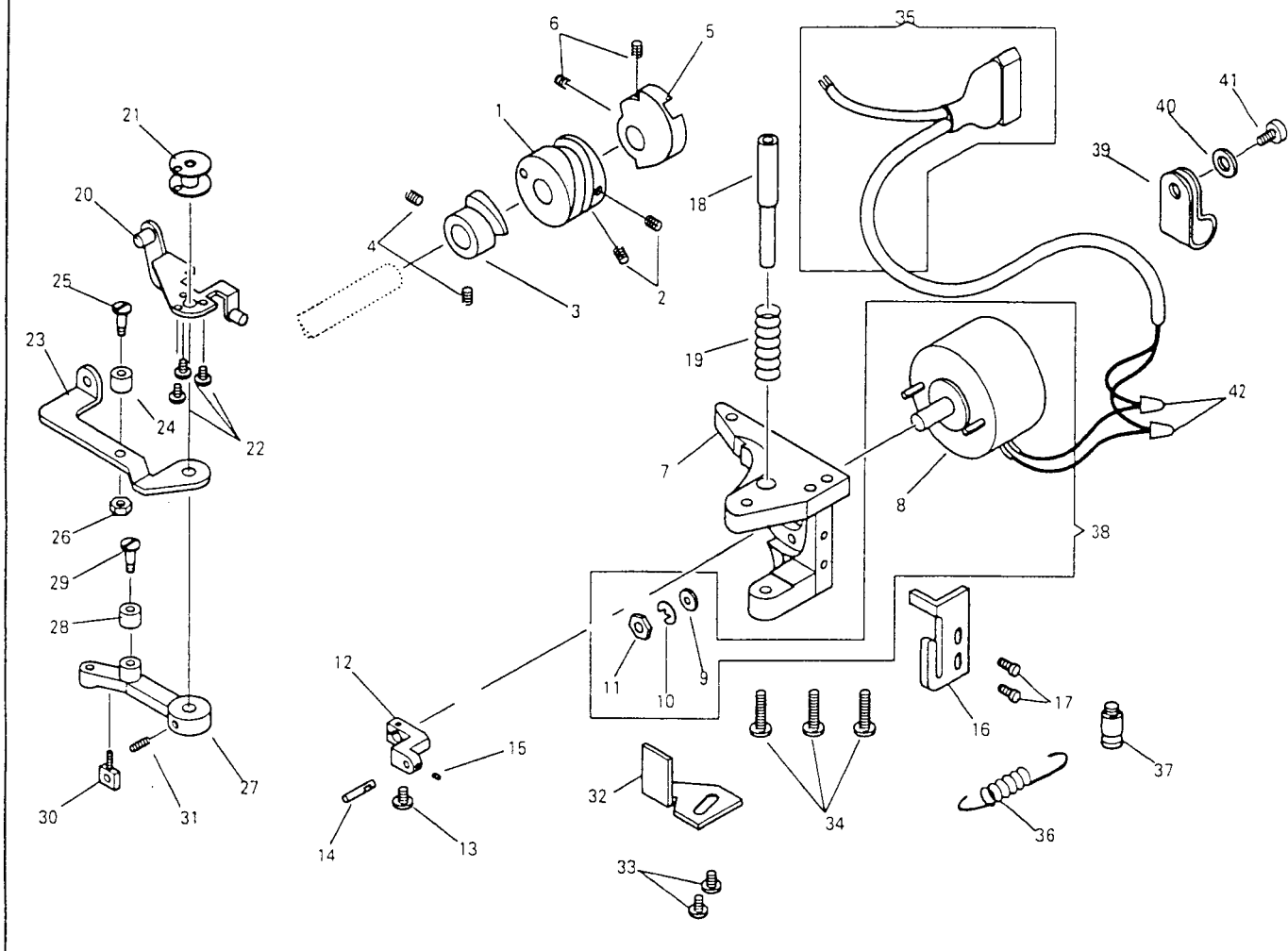
35



QTY	PART NO.	QTY					DESCRIPTION
		141A	141B	141G	541A	541B	
1	552570	*	*	*	*	*	2 BOBBIN WINDER (BODY)
2	552573	*	*	*	*	*	2 BOBBIN WINDER PULLEY
3	543871-020	*	*	*	*	*	2 BOBBIN WINDER PULLEY RING
4	552575	*	*	*	*	*	2 BOBBIN WINDER BRACKET
5	546844	*	*	*	*	*	4 BOBBIN WINDER SPINDLE THRUST WASHER
6	282758	*	*	*	*	*	2 BOBBIN WINDER SPINDLE STOP COLLAR COMPLETE
7	544206-011	*	*	*	*	*	4 BOBBIN WINDER SPINDLE STOP COLLAR SET SCREW
8	282995	*	*	*	*	*	2 BOBBIN WINDER SPINDLE SPRING
9	282757	*	*	*	*	*	2 BOBBIN WINDER BRACKET ACTUATING PLATE
10	282994	*	*	*	*	*	2 BOBBIN WINDER BRACKET SPRING
11	552576	*	*	*	*	*	2 BOBBIN WINDER STOPPER BRACKET COMP.
12	544207-013	*	*	*	*	*	4 BOBBIN WINDER STOPPER BRACKET SCREW
13	552577	*	*	*	*	*	2 BOBBIN WINDER STOPPER
14	374398-002	*	*	*	*	*	2 BOBBIN WINDER STOPPER SCREW
15	552578	*	*	*	*	*	2 BOBBIN WINDER STOP LATCH COMPLETE
16	544208-005	*	*	*	*	*	2 BOBBIN WINDER STOP LATCH SET SCREW
17	368025	*	*	*	*	*	2 BOBBIN WINDER STOP LATCH STUD
18	543860-005	*	*	*	*	*	2 BOBBIN WINDER STOP LATCH STUD SNAP RING
19	368026	*	*	*	*	*	2 BOBBIN WINDER REGULATOR COMPLETE
20	544208-005	*	*	*	*	*	2 BOBBIN WINDER REGULATOR SET SCREW
21	544865	*	*	*	*	*	2 BOBBIN WINDER SPRING
22	282759-451	*	*	*	*	*	2 BOBBIN WINDER SPINDLE THREAD GUARD
23	554312	*	*	*	*	*	2 BOBBIN WINDER PACKING
24	544217-001	*	*	*	*	*	6 BOBBIN WINDER SCREW
25	543803-003	*	*	*	*	*	6 BOBBIN WINDER SCREW WASHER

QTY	PART NO.	QTY					DESCRIPTION
		141A	141B	141G	541A	541B	
1	554409	*	*	*	*	*	1 BOBBIN WINDER DRIVING WHEEL (RIGHT) COMPLETE
2	544207-012	*	*	*	*	*	2 BOBBIN WINDER DRIVING WHEEL (RIGHT) SET SCREW
2	552579	*	*	*	*	*	2 BOBBIN WINDER TENSION COMPLETE
2	543804-005	*	*	*	*	*	2 BOBBIN WINDER BRACKET THRUST WASHER
2	552580	*	*	*	*	*	2 BOBBIN WINDER TENSION STUD COMP.
4	547247	*	*	*	*	*	4 BOBBIN WINDER TENSION DISC
2	547246	*	*	*	*	*	2 BOBBIN WINDER TENSION SPRING
2	368033	*	*	*	*	*	2 BOBBIN WINDER TENSION REGULATING THUMB NUT
2	541186	*	*	*	*	*	2 BOBBIN WINDER TENSION STUD LOCK NUT
2	554669-385	*	*	*	*	*	2 BOBBIN WINDER COMP.
2	552569	*	*	*	*	*	2 BOBBIN WINDER COMP.
1	554853	*	*	*	*	*	1 BOBBIN WINDER DRIVING WHEEL (LEFT) COMPLETE
2	544207-012	*	*	*	*	*	2 BOBBIN WINDER DRIVING WHEEL (LEFT) SET SCREW

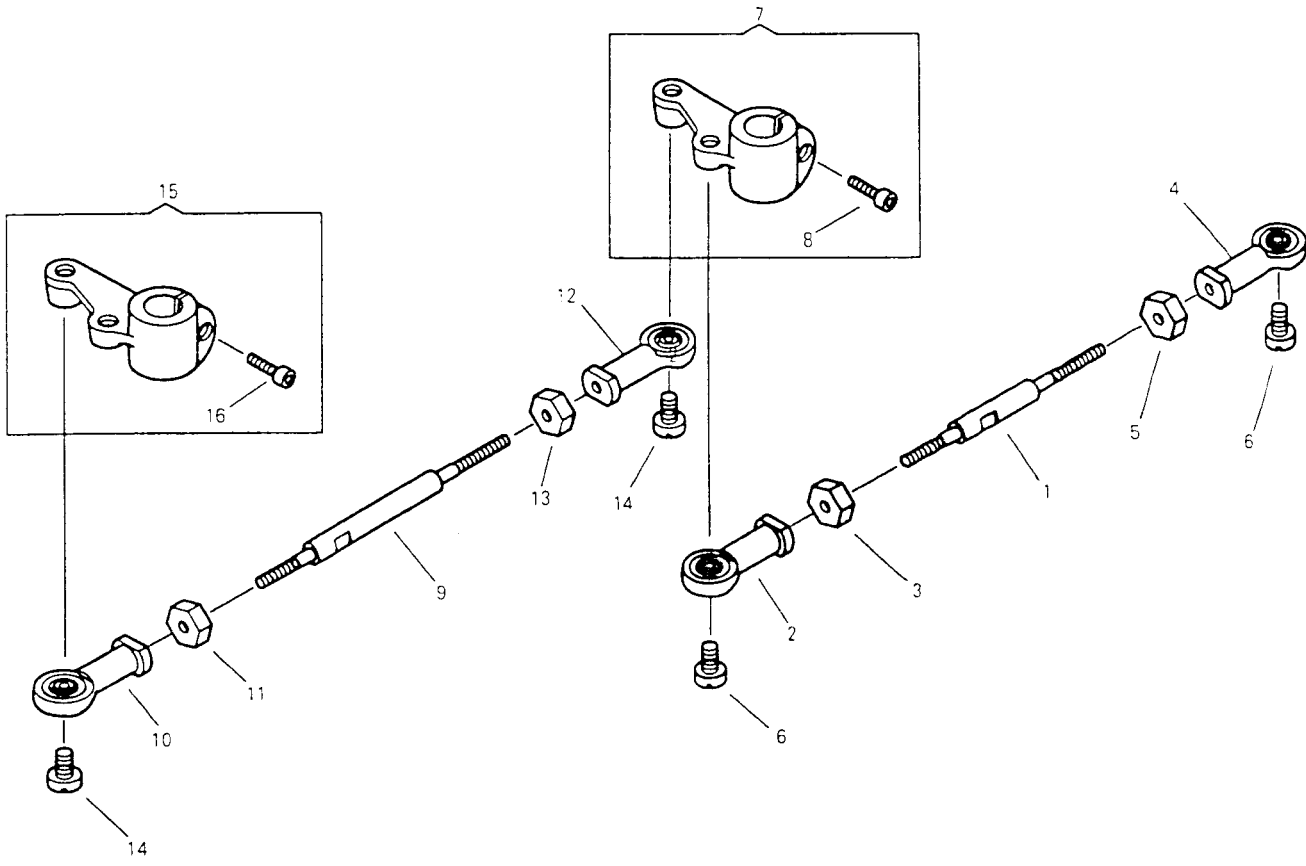
# THREAD TRIMMER 1



NO.	PART NO.	141A	141B	141G	541A	541B	541G	Y	Q	DESCRIPTION
1	281184	-	*	*	-	*	*	*	1	TRIMMER CAM
2	374029	-	*	*	-	*	*	*	2	TRIMMER CAM SET SCREW
3	281013	-	*	*	-	*	*	*	1	TENSION RELEASING CAM
4	504028	-	*	*	-	*	*	*	2	TENSION RELEASING CAM SET SCREW
5	281014	-	*	*	-	*	*	*	1	TRIMMER POSITIVE MOTION CAM
6	544208-005	-	*	*	-	*	*	*	2	TRIMMER POSITIVE MOTION CAM SET SCREW
7	552585	-	*	*	-	*	*	*	1	TRIMMER SOLENOID BRACKET
8	369334	-	*	*	-	*	*	*	1	TRIMMER SOLENOID
9	543804-003	-	*	*	-	*	*	*	2	TRIMMER SOLENOID WASHER
10	543805-003	-	*	*	-	*	*	*	2	TRIMMER SOLENOID SPRING WASHER
11	541165-003	-	*	*	-	*	*	*	2	TRIMMER SOLENOID NUT
12	552586	-	*	*	-	*	*	*	1	TRIMMER SOLENOID ARM
13	545095	-	*	*	-	*	*	*	1	TRIMMER SOLENOID ARM SCREW
14	416772	-	*	*	-	*	*	*	1	TRIMMER SOLENOID ARM PIN
15	545072	-	*	*	-	*	*	*	1	TRIMMER SOLENOID ARM PIN SCREW
16	281020	-	*	*	-	*	*	*	1	TRIMMER SOLENOID ARM STOPPER
17	190-850	-	*	*	-	*	*	*	2	TRIMMER SOLENOID ARM STOPPER SCREW
18	281021	-	*	*	-	*	*	*	1	TRIMMER LEVER SHAFT
19	281096	-	*	*	-	*	*	*	1	TRIMMER LEVER SHAFT SPRING
20	281023	-	*	*	-	*	*	*	1	TRIMMER POSITIVE MOTION BRACKET COMPLETE
21	416777	-	*	*	-	*	*	*	1	TRIMMER POSITIVE MOTION BRACKET BOSS
22	549120	-	*	*	-	*	*	*	3	TRIMMER POSITIVE MOTION BRACKET BOSS SCREW
23	552588	-	*	*	-	*	*	*	1	TENSION RELEASE DRIVING LEVER
24	416780	-	*	*	-	*	*	*	1	TENSION RELEASING CAM ROLLER
25	414773-451	-	*	*	-	*	*	*	1	TENSION RELEASING CAM ROLLER SCREW
26	545409	-	*	*	-	*	*	*	1	TENSION RELEASING CAM ROLLER SCREW LOCK NUT
27	552590	-	*	*	-	*	*	*	1	TRIMMER LEVER
28	416780	-	*	*	-	*	*	*	1	TRIMMER CAM ROLLER
29	414773-451	-	*	*	-	*	*	*	1	TRIMMER CAM ROLLER SCREW
30	545264	-	*	*	-	*	*	*	1	TRIMMER LEVER RETURN SPRING HOOK

NO.	PART NO.	141A	141B	141G	541A	541B	541G	Y	Q	DESCRIPTION
31	544208-005	-	*	*	-	*	*	*	1	TRIMMER LEVER SET SCREW
32	552591	-	*	*	-	*	*	*	1	TRIMMER LEVER STOPPER
33	414508	-	*	*	-	*	*	*	2	TRIMMER LEVER STOPPER SCREW
34	544352	-	*	*	-	*	*	*	3	TRIMMER SOLENOID BRACKET SCREW
35	554469	-	*	*	-	*	*	*	1	TRIMMER BACK TACK SOLENOID CORD COMP.
36	554723	-	*	*	-	*	*	*	1	TRIMMER SOLENOID CORD COMP.
37	552592	-	*	*	-	*	*	*	1	TRIMMER LEVER RETURN SPRING
37	374307	-	*	*	-	*	*	*	1	TRIMMER LEVER RETURN SPRING STUD
38	369333	-	*	*	-	*	*	*	1	TRIMMER SOLENOID COMP.
39	542766-002	-	*	*	-	*	*	*	4	TRIMMER SOLENOID CORD RETAINER
40	543803-002	-	*	*	-	*	*	*	4	TRIMMER SOLENOID CORD WASHER
41	504010-452	-	*	*	-	*	*	*	4	TRIMMER SOLENOID CORD SCREW
42	417142-001	-	*	*	-	*	*	*	2	TRIMMER SOLENOID WIRE CONNECTOR

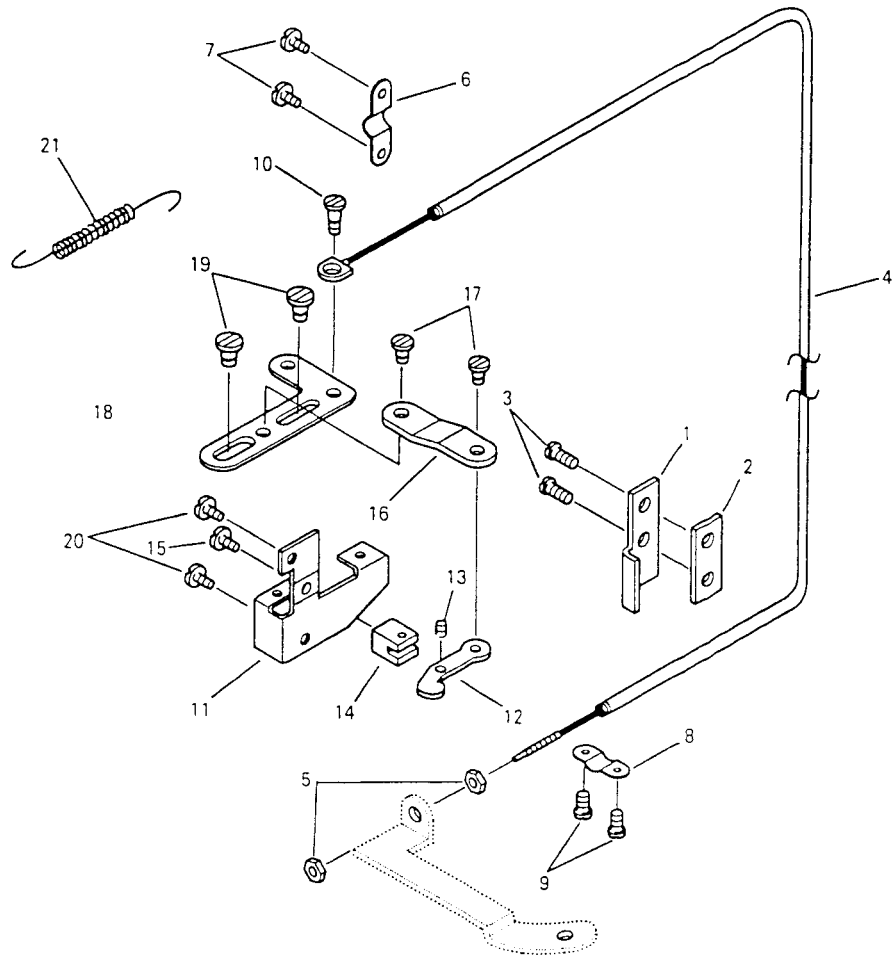
THREAD TRIMMER 2



QTY	PART NO.	PART NO.				QTY	DESCRIPTION
		141A	141B	141G	541G		
1	554654-001	*	*	*	*	1	TRIMMER ROD FOR DRIVING ARM (RIGHT)
1	416781-101	*	*	*	*	1	TRIMMER ROD END (LEFT)
1	414774	*	*	*	*	1	TRIMMER ROD END (LEFT) NUT
1	416781-001	*	*	*	*	1	TRIMMER ROD END (RIGHT)
1	541166-001	*	*	*	*	1	TRIMMER ROD END (RIGHT) NUT
2	414775	*	*	*	*	2	TRIMMER ROD END SCREW
1	281074	*	*	*	*	1	THREAD PULLER DRIVING ARM (RIGHT) COMPLETE
1	374107-004	*	*	*	*	1	THREAD PULLER DRIVING ARM (RIGHT) SCREW
1	416783-007	*	*	*	*	1	TRIMMER ROD FOR DRIVING ARM (LEFT)
1	416781-101	*	*	*	*	1	TRIMMER ROD END (LEFT)
1	414774	*	*	*	*	1	TRIMMER ROD END (LEFT) NUT
1	416781-001	*	*	*	*	1	TRIMMER ROD END (RIGHT)
1	541166-001	*	*	*	*	1	TRIMMER ROD END (RIGHT) NUT
2	414775	*	*	*	*	2	TRIMMER ROD END SCREW
1	281074	*	*	*	*	1	THREAD PULLER DRIVING ARM (LEFT) COMPLETE
1	374107-004	*	*	*	*	1	THREAD PULLER DRIVING ARM (LEFT) SCREW

NO.	PART NO.	PART NO.				QTY	DESCRIPTION
		141A	141B	141G	541G		

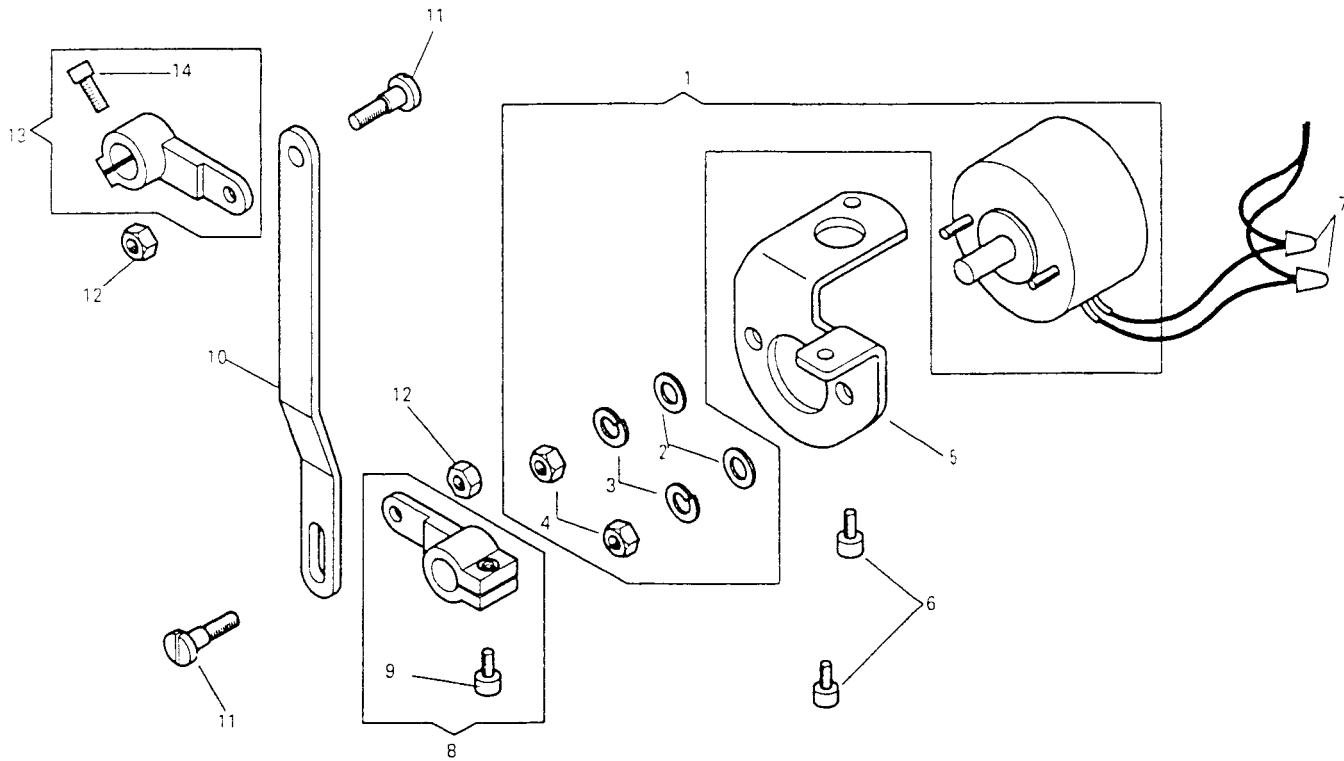
# TENSION RELEASING



NO.	PART NO.	141A	141B	141G	541A	541B	541G	QTY	DESCRIPTION
1	552593	-	*	*	-	*	*	1	TENSION RELEASE DRIVING LEVER STOPPER
2	552594	-	*	*	-	*	*	1	TENSION RELEASE DRIVING LEVER STOPPER RETAINING PLATE
3	414780	-	*	*	-	*	*	2	TENSION RELEASE DRIVING LEVER STOPPER SCREW
4	552595	-	*	*	-	*	*	1	TENSION RELEASE WIRE GUIDE, TUBE COMPLETE
5	541166-003	-	*	*	-	*	*	2	TENSION RELEASE WIRE STAKING PIPE LOCK NUT
6	543327	-	*	*	-	*	*	1	TENSION RELEASE WIRE GUIDE TUBE CLAMPING PLATE (UPPER)
7	504010-452	-	*	*	-	*	*	2	TENSION RELEASE WIRE GUIDE TUBE CLAMPING PLATE (UPPER) SCREW
8	543327	-	*	*	-	*	*	1	TENSION RELEASE WIRE GUIDE TUBE CLAMPING PLATE (LOWER)
9	504010-452	-	*	*	-	*	*	2	TENSION RELEASE WIRE GUIDE TUBE CLAMPING PLATE (LOWER) SCREW
10	544144	-	*	*	-	*	*	1	TENSION RELEASE WIRE SHEAVE SCREW
11	552601	-	*	*	-	*	*	1	TENSION RELEASE LEVER BRACKET
12	552602	-	*	*	-	*	*	1	TENSION RELEASE LEVER
13	552603	-	*	*	-	*	*	1	TENSION RELEASE LEVER PIN
14	552604	-	*	*	-	*	*	1	TENSION RELEASE LEVER BLOCK
15	544256	-	*	*	-	*	*	1	TENSION RELEASE LEVER BLOCK SCREW
16	552605	-	*	*	-	*	*	1	TENSION RELEASE LEVER LINK
17	368247	-	*	*	-	*	*	2	TENSION RELEASE LEVER LINK HINGE SCREW
18	552606	-	*	*	-	*	*	1	TENSION RELEASE ACTUATING SLIDE PLATE
19	368247	-	*	*	-	*	*	2	TENSION RELEASE ACTUATING SLIDE PLATE HINGE SCREW
20	544111-452	-	*	*	-	*	*	2	TENSION RELEASE LEVER BRACKET SCREW
21	281593	-	*	*	-	*	*	1	TENSION RELEASE ACTUATING SLIDE PLATE SPRING

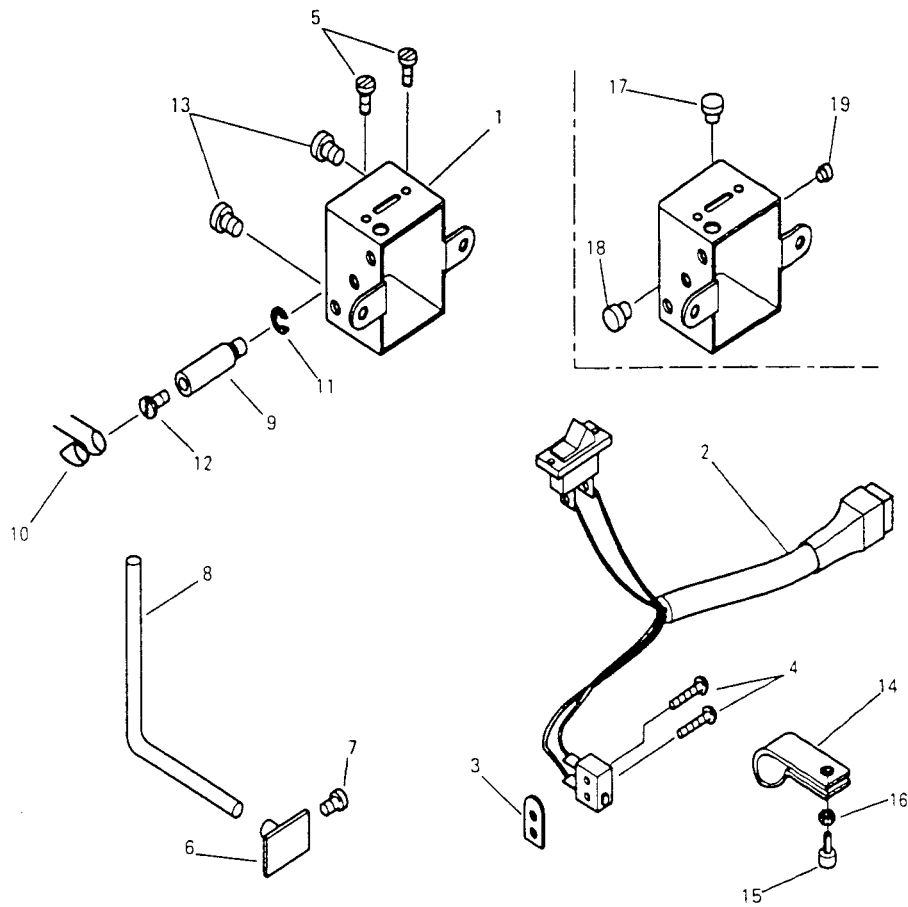
NO.	PART NO.	141A	141B	141G	541A	541B	541G	QTY	DESCRIPTION

# BACK TACK MECHANISM



PART NO.	141A	141B	141G	541A	541B	541G	Y	T	D	DESCRIPTION
369335	-	-	*	-	-	*	1			BACK TACK SOLENOID COMPLETE
543804-005	-	-	*	-	-	*	2			BACK TACK SOLENOID WASHER
543805-005	-	-	*	-	-	*	2			BACK TACK SOLENOID SPRING WASHER
541167-003	-	-	*	-	-	*	2			BACK TACK SOLENOID NUT
552609	-	-	*	-	-	*	1			BACK TACK SOLENOID BRACKET
544214-002	-	-	*	-	-	*	2			BACK TACK SOLENOID BRACKET SCREW
417142-001	-	-	*	-	-	*	2			BACK TACK SOLENOID WIRE CONNECTOR
552610	-	-	*	-	-	*	1			BACK TACK SOLENOID ARM COMPLETE
549183	-	-	*	-	-	*	1			BACK TACK SOLENOID ARM PINCH SCREW
552612	-	-	*	-	-	*	1			BACK TACK SOLENOID LINK
374546	-	-	*	-	-	*	2			BACK TACK SOLENOID LINK HINGE SCREW
417410	-	-	*	-	-	*	2			BACK TACK SOLENOID LINK HINGE SCREW NUT
552613	-	-	*	-	-	*	1			FEED REVERSE LEVER SHAFT ACTUATING ARM COMPLETE
374107-004	-	-	*	-	-	*	1			FEED REVERSE LEVER SHAFT ACTUATING ARM PINCH SCREW

# BACK TACK SWITCH

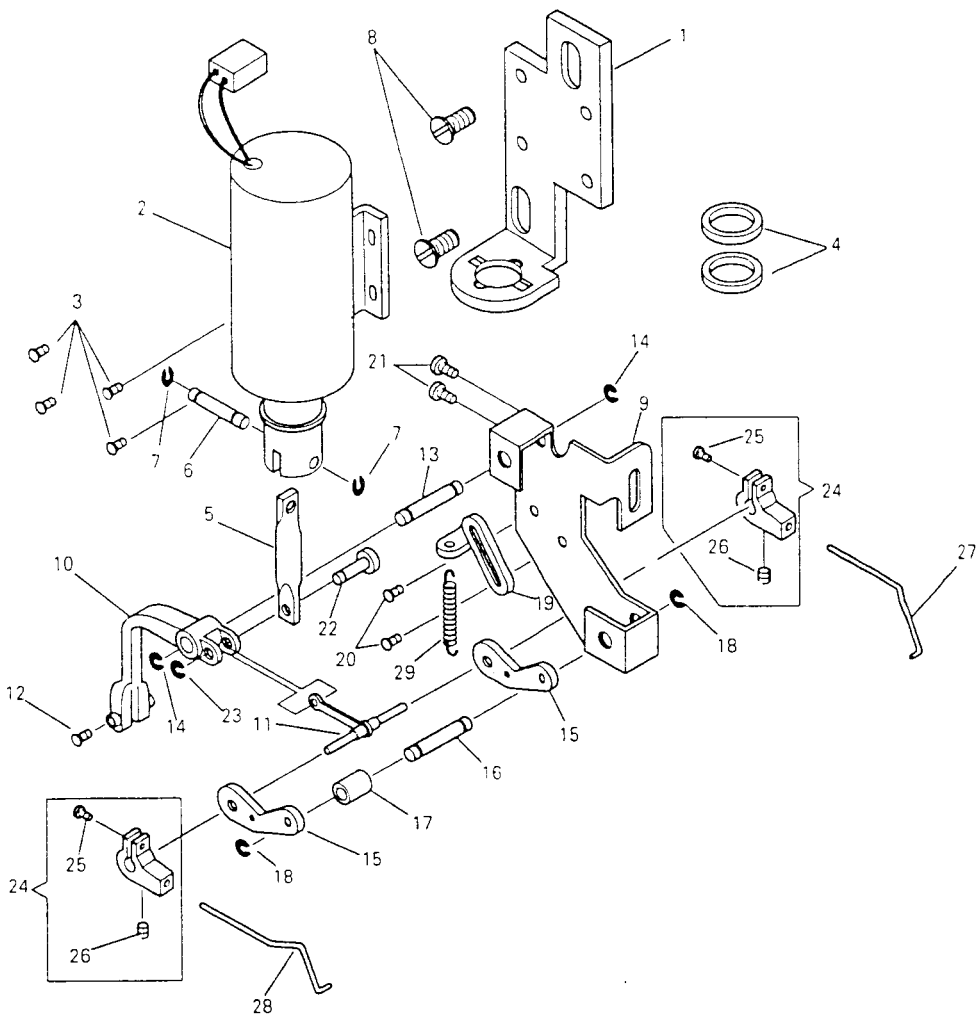


NO	PART NO.	141A	141B	141G	541A	541B	541G	QTY	DESCRIPTION
1	552616	-	*	*	-	*	*	1	WIPER, BACK TACK SWITCH BOX
2	419009	-	*	*	-	*	*	1	WIPER, BACK TACK SWITCH CORD, CONNECTOR COMP.
3	368467	-	*	*	-	*	*	1	BACK TACK SWITCH PLATE
4	544211-056	-	*	*	-	*	*	2	BACK TACK SWITCH PLATE SCREW
5	544211-001	-	*	*	-	*	*	2	WIPER SWITCH SCREW
6	376146	-	*	*	-	*	*	1	BACK TACK SWITCH LEVER BUTTON
7	374110-002	-	*	*	-	*	*	1	BACK TACK SWITCH LEVER BUTTON SCREW
8	552618	-	*	*	-	*	*	1	BACK TACK SWITCH LEVER
9	375733	-	*	*	-	*	*	1	BACK TACK SWITCH LEVER SHAFT
10	375732	-	*	*	-	*	*	1	BACK TACK SWITCH LEVER SPRING
11	543801-015	-	*	*	-	*	*	1	BACK TACK SWITCH LEVER SHAFT SNAP RING
12	545246-452	-	*	*	-	*	*	1	BACK TACK SWITCH LEVER SCREW
13	544217-052	-	*	*	-	*	*	2	WIPER, BACK TACK SWITCH BOX SCREW
14	542766-005	-	*	*	-	*	*	1	WIPER, BACK TACK SWITCH CORD CLIP
15	504010-452	-	*	*	-	*	*	1	WIPER, BACK TACK SWITCH CORD CLIP SCREW
16	543803-002	-	*	*	-	*	*	1	WIPER, BACK TACK SWITCH CORD CLIP SCREW WASHER
17	414245	-	*	-	-	*	-	1	WIPER SWITCH BOX RUBBER PLUG (MIDDLE)
18	420255	-	*	-	-	*	-	1	WIPER SWITCH BOX RUBBER PLUG (LARGE)
19	418400	-	*	-	-	*	-	1	WIPER SWITCH BOX RUBBER PLUG (SMALL)

NO	PART NO.	141A	141B	141G	541A	541B	541G	QTY	DESCRIPTION

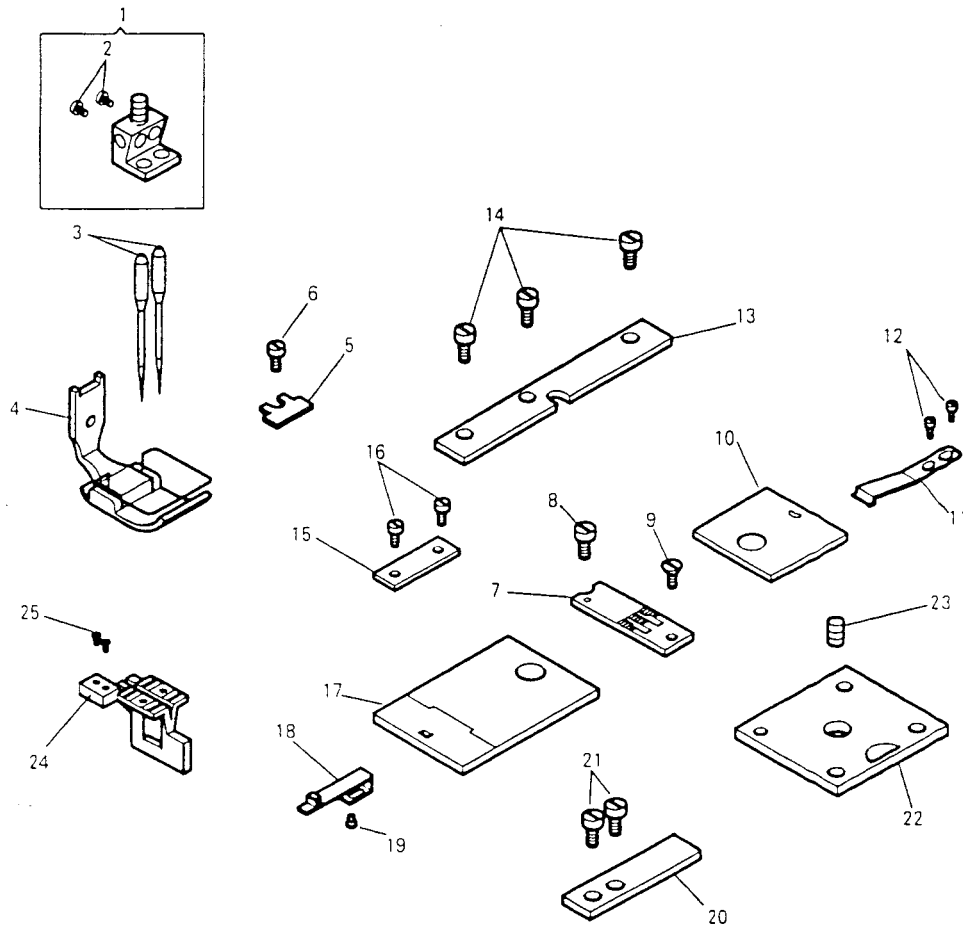


WIPER



PART NO.	QTY					DESCRIPTION	NO.	PART NO.	QTY					DESCRIPTION	
	141A	141B	141G	541A	541B				541G	Y	141A	141B	141G		541A
552620	-	*	*	*	*	1	WIPER SOLENOID BRACKET								
369336	-	*	*	*	*	1	WIPER SOLENOID COMPLETE								
544211-001	-	*	*	*	*	4	WIPER SOLENOID SCREW								
552621	-	*	*	*	*	2	WIPER SOLENOID RUBBER CUSHION								
552622	-	*	*	*	*	1	WIPER SOLENOID LINK								
552623	-	*	*	*	*	1	WIPER SOLENOID PIN								
543801-002	-	*	*	*	*	2	WIPER SOLENOID PIN RETAINING RING								
414508	-	*	*	*	*	2	WIPER SOLENOID BRACKET SCREW								
552625	-	*	*	*	*	1	WIPER BRACKET								
552627	-	*	*	*	*	1	WIPER ARM								
552628	-	*	*	*	*	1	WIPER ARM LINK COMP.								
552631	-	*	*	*	*	1	WIPER ARM LINK HING PIN								
552632	-	*	*	*	*	1	WIPER ARM STUD								
543801-006	-	*	*	*	*	2	WIPER ARM STUD RETAINING RING								
552633	-	*	*	*	*	2	WIPER LEVER								
552632	-	*	*	*	*	1	WIPER LEVER STUD								
552635	-	*	*	*	*	1	WIPER LEVER STUD COLLAR								
543801-006	-	*	*	*	*	2	WIPER LEVER STUD RETAINING RING								
552637	-	*	*	*	*	1	WIPER LEVER RETURN SPRING BRACKET								
544212-051	-	*	*	*	*	2	WIPER LEVER RETURN SPRING BRACKET SCREW								
414508	-	*	*	*	*	2	WIPER BRACKET SCREW								
552638	-	*	*	*	*	1	WIPER SOLENOID LINK PIN								
543860-003	-	*	*	*	*	1	WIPER SOLENOID LINK PIN RETAINING RING								
552639	-	*	*	*	*	2	WIPER HOLDER COMPLETE								
414749-001	-	*	*	*	*	2	WIPER HOLDER SCREW								
544206-011	-	*	*	*	*	2	WIPER SET SCREW								
552811	-	*	*	*	*	1	WIPER (RIGHT)								
552641	-	*	*	*	*	1	WIPER (LEFT)								
544665	-	*	*	*	*	1	WIPER LEVER RETURN SPRING								

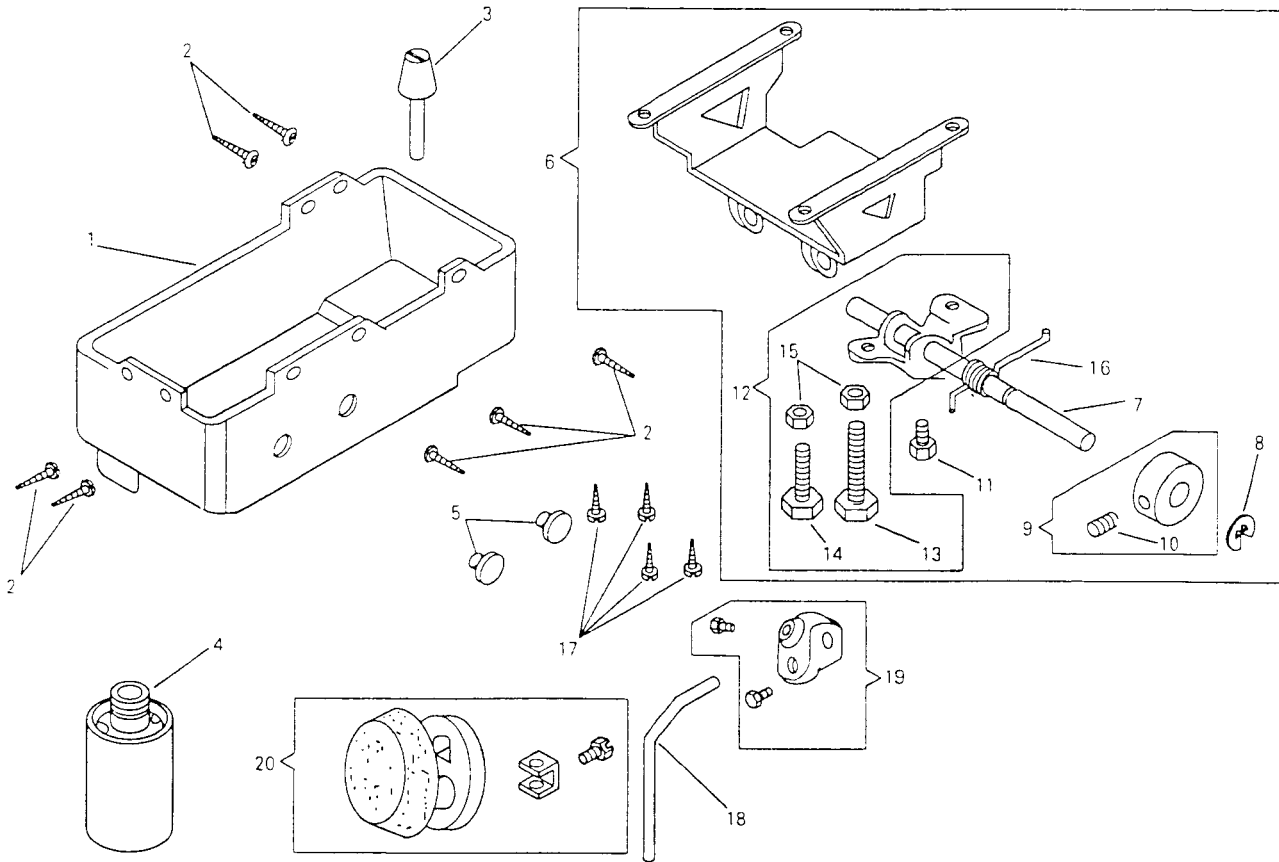
# GAUGE PARTS



NO.	PART NO.	141A	141B	141G	541A	541B	541G	T-D	Y	DESCRIPTION
1	412040-008	*	*	*	*	*	*		1	NEEDLE HOLDER COMP (1/8", 3.2mm)
1	412040-012	*	*	*	*	*	*		1	NEEDLE HOLDER COMP (3/16", 4.8mm) (STANDARD)
1	412040-016	*	*	*	*	*	*		1	NEEDLE HOLDER COMP (1/4", 6.4mm) (STANDARD)
1	412040-020	*	*	*	*	*	*		1	NEEDLE HOLDER COMP (5/16", 7.9mm)
1	412040-024	*	*	*	*	*	*		1	NEEDLE HOLDER COMP (3/8", 9.5mm)
1	412040-100	*	*	*	*	*	*		1	NEEDLE HOLDER COMP (1", 25.4mm)
2	374456	*	*	*	*	*	*		2	NEEDLE SET SCREW
3	N19550-114	*	*	*	*	*	*		2	NEEDLE (CAT. NO. 1955-01 #14)
3	N19550-121	-	-	-	-	-	-		2	NEEDLE (CAT. NO. 1955-01 #21)
4	554670-008	*	*	*	*	*	*		1	PRESSER FOOT COMP (1/8", 3.2mm)
4	554670-012	*	*	*	*	*	*		1	PRESSER FOOT COMP (3/16", 4.8mm) (STANDARD)
4	554670-016	*	*	*	*	*	*		1	PRESSER FOOT COMP (1/4", 6.4mm) (STANDARD)
4	554670-020	*	*	*	*	*	*		1	PRESSER FOOT COMP (5/16", 7.9mm)
4	554670-024	*	*	*	*	*	*		1	PRESSER FOOT COMP (3/8", 9.5mm)
4	554670-100	*	*	*	*	*	*		1	PRESSER FOOT COMP (1", 25.4mm)
5	416604	-	*	-	-	-	-		1	THREAD GAUGE (1/8", 3/16", 1/4", 5/16", 3/8", 1/2")
6	544450	-	*	-	-	-	-		1	THREAD GUARD SCREW
7	412039-008	*	-	-	-	-	-		1	THROAT PLATE (1/8", 3.2mm)
7	412039-012	*	-	-	-	-	-		1	THROAT PLATE (3/16", 4.8mm) (STANDARD)
7	412039-016	*	-	-	-	-	-		1	THROAT PLATE (1/4", 6.4mm) (STANDARD)
7	412039-020	*	-	-	-	-	-		1	THROAT PLATE (5/16", 7.9mm)
7	412039-024	*	-	-	-	-	-		1	THROAT PLATE (3/8", 9.5mm)
7	412039-100	*	-	-	-	-	-		1	THROAT PLATE (1", 25.4mm)
7	281068-008	-	*	-	-	-	-		1	THROAT PLATE (1/8", 3.2mm)
7	281068-012	-	*	-	-	-	-		1	THROAT PLATE (3/16", 4.8mm) (STANDARD)
7	281068-016	-	*	-	-	-	-		1	THROAT PLATE (1/4", 6.4mm) (STANDARD)
7	281068-020	-	*	-	-	-	-		1	THROAT PLATE (5/16", 7.9mm)
7	281068-024	-	*	-	-	-	-		1	THROAT PLATE (3/8", 9.5mm)
7	281068-100	-	*	-	-	-	-		1	THROAT PLATE (1", 25.4mm)

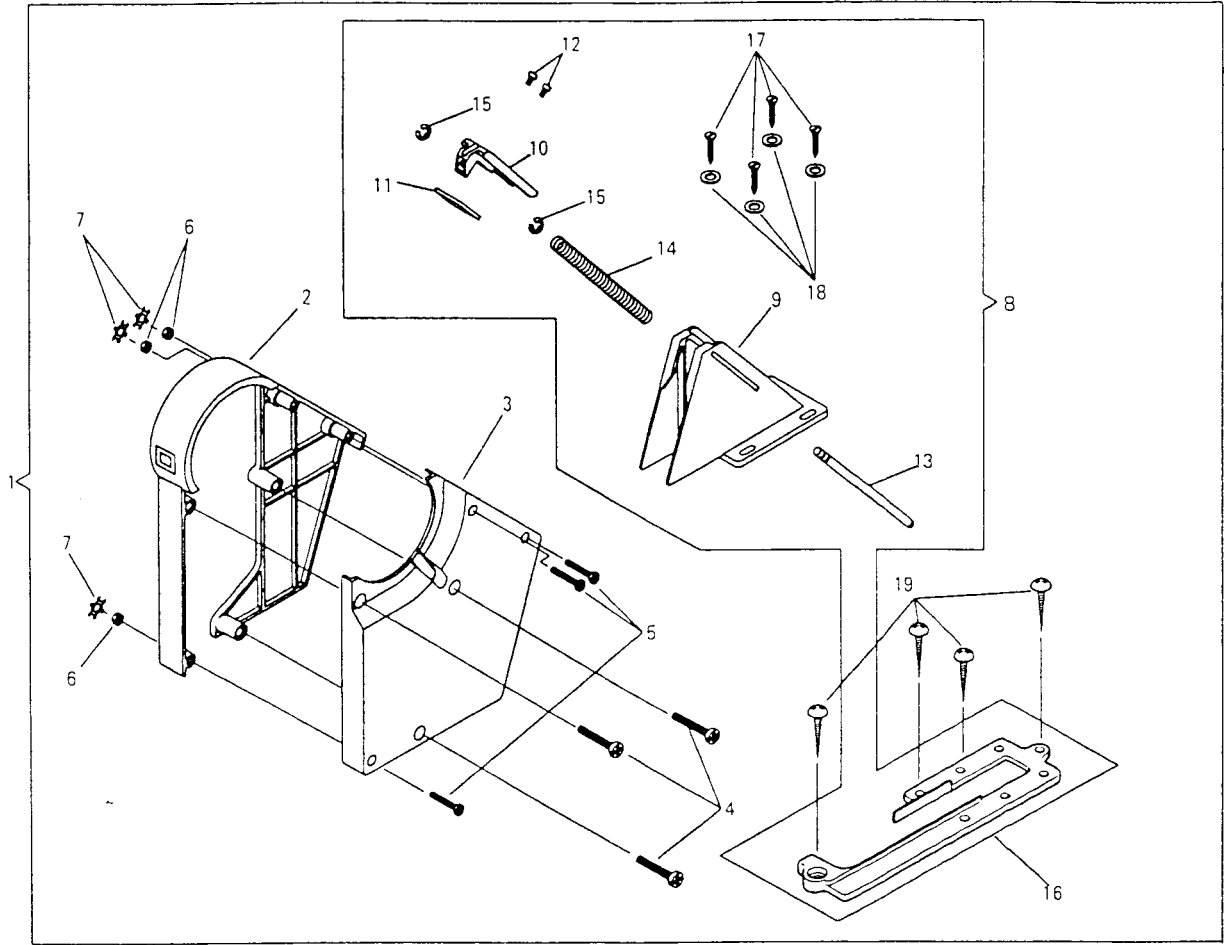
NO.	PART NO.	141A	141B	141G	541A	541B	541G	T-D	Y	DESCRIPTION
8	544382-452	*	*	*	*	*	*		1	THROAT PLATE CLAMP SCREW
9	691-845	*	*	*	*	*	*		1	THROAT PLATE SCREW
10	552814	*	*	*	*	*	*		1	BED SLIDE (RIGHT) (1/8", 3/16", 1/4", 5/16", 3/8")
10	552816	*	*	*	*	*	*		1	BED SLIDE (RIGHT) (1")
11	552419	*	*	*	*	*	*		1	BED SLIDE (RIGHT) SPRING PLATE
12	544269	*	*	*	*	*	*		2	BED SLIDE (RIGHT) SPRING PLATE SCREW
13	554453	-	*	-	-	-	-		1	BED COVER PLATE (RIGHT)
14	545137	-	*	-	-	-	-		3	BED COVER PLATE (RIGHT) SCREW
15	554651	*	-	-	-	-	-		1	BED COVER PLATE
16	414659	*	-	-	-	-	-		2	BED COVER PLATE SCREW
17	554615	*	*	*	*	*	*		1	BED SLIDE (LEFT) (1/8", 3/16", 1/4", 5/16", 3/8", 1/2")
18	554666	*	*	*	*	*	*		1	BED SLIDE (LEFT) SPRING PLATE
19	544419	*	*	*	*	*	*		1	BED SLIDE (LEFT) SPRING PLATE SCREW
20	281069	-	*	-	-	-	-		1	BED COVER PLATE (LEFT)
21	545137	-	*	-	-	-	-		2	BED COVER PLATE (LEFT) SCREW
22	416756-452	*	-	-	-	-	-		1	ATTACHMENT SLIDE PLATE
22	281072	-	*	-	-	-	-		1	ATTACHMENT SLIDE PLATE
23	544389	*	*	*	*	*	*		1	ATTACHMENT SLIDE PLATE LOCK SCREW
24	412266-008	*	-	-	-	-	-		1	FEED DOG (1/8", 3.2mm)
24	412253-012	*	-	-	-	-	-		1	FEED DOG (3/16", 4.8mm) (STANDARD)
24	412254-016	*	-	-	-	-	-		1	FEED DOG (1/4", 6.4mm) (STANDARD)
24	412254-020	*	-	-	-	-	-		1	FEED DOG (5/16", 7.9mm)
24	412254-024	*	-	-	-	-	-		1	FEED DOG (3/8", 9.5mm)
24	412255-100	*	-	-	-	-	-		1	FEED DOG (1", 25.4mm)
24	281191-008	-	*	-	-	-	-		1	FEED DOG (1/8", 3.2mm)
24	281192-012	-	*	-	-	-	-		1	FEED DOG (3/16", 4.8mm) (STANDARD)
24	281193-016	-	*	-	-	-	-		1	FEED DOG (1/4", 6.4mm) (STANDARD)
24	281193-020	-	*	-	-	-	-		1	FEED DOG (5/16", 7.9mm)
24	281193-024	-	*	-	-	-	-		1	FEED DOG (3/8", 9.5mm)
24	281195-100	-	*	-	-	-	-		1	FEED DOG (1", 25.4mm)
25	544399	*	*	*	*	*	*		2	FEED DOG SCREW

# ACCESSORIES AND ATTACHMENTS 1



PART NO.					QTY	DESCRIPTION	NO.	PART NO.					QTY	DESCRIPTION
	141A	141B	141G	541A					541B	541G	141A	141B		
552647	*	*	*	*	*	1	DRIP PAN							
350708	*	*	*	*	*	7	DRIP PAN NAIL							
552648	*	*	*	*	*	1	KNEE LIFTER PLUNGER COMP.							
167448	*	*	*	*	*	1	DRIP PAN DRAIN JAR							
544886-451	*	*	*	*	*	2	DRIP PAN RUBBER PLUG							
552875	*	*	*	*	*	1	KNEE LIFTER ROCK SHAFT BRACKET COMP.							
552644	*	*	*	*	*	1	KNEE LIFTER ROCK SHAFT							
543801-011	*	*	*	*	*	1	KNEE LIFTER ROCK SHAFT RETAINING RING							
540633	*	*	*	*	*	1	KNEE LIFTER ROCK SHAFT COLLAR							
504134	*	*	*	*	*	1	KNEE LIFTER ROCK SHAFT COLLAR SET SCREW							
544499-003	*	*	*	*	*	1	KNEE LIFTER ROCK SHAFT LIFTING ARM SCREW							
552645	*	*	*	*	*	1	KNEE LIFTER ROCK SHAFT LIFTING ARM COMP.							
544499-008	*	*	*	*	*	1	KNEE LIFTER ROCK SHAFT LIFTING ARM STOP SCREW (LONG)							
544499-006	*	*	*	*	*	1	KNEE LIFTER ROCK SHAFT LIFTING ARM STOP SCREW (SMALL)							
541167-001	*	*	*	*	*	2	KNEE LIFTER ROCK SHAFT LIFTING ARM STOP SCREW NUT							
552646	*	*	*	*	*	1	KNEE LIFTER ROCK SHAFT LIFTING ARM SPRING							
549296	*	*	*	*	*	4	KNEE LIFTER ROCK SHAFT BRACKET SCREW							
544895	*	*	*	*	*	1	KNEE LIFTER ROCK SHAFT							
545918	*	*	*	*	*	1	KNEE LIFTER ROCK SHAFT HUB COMP.							
414115	*	*	*	*	*	1	KNEE LIFTER KNEE PLATE COMP.							

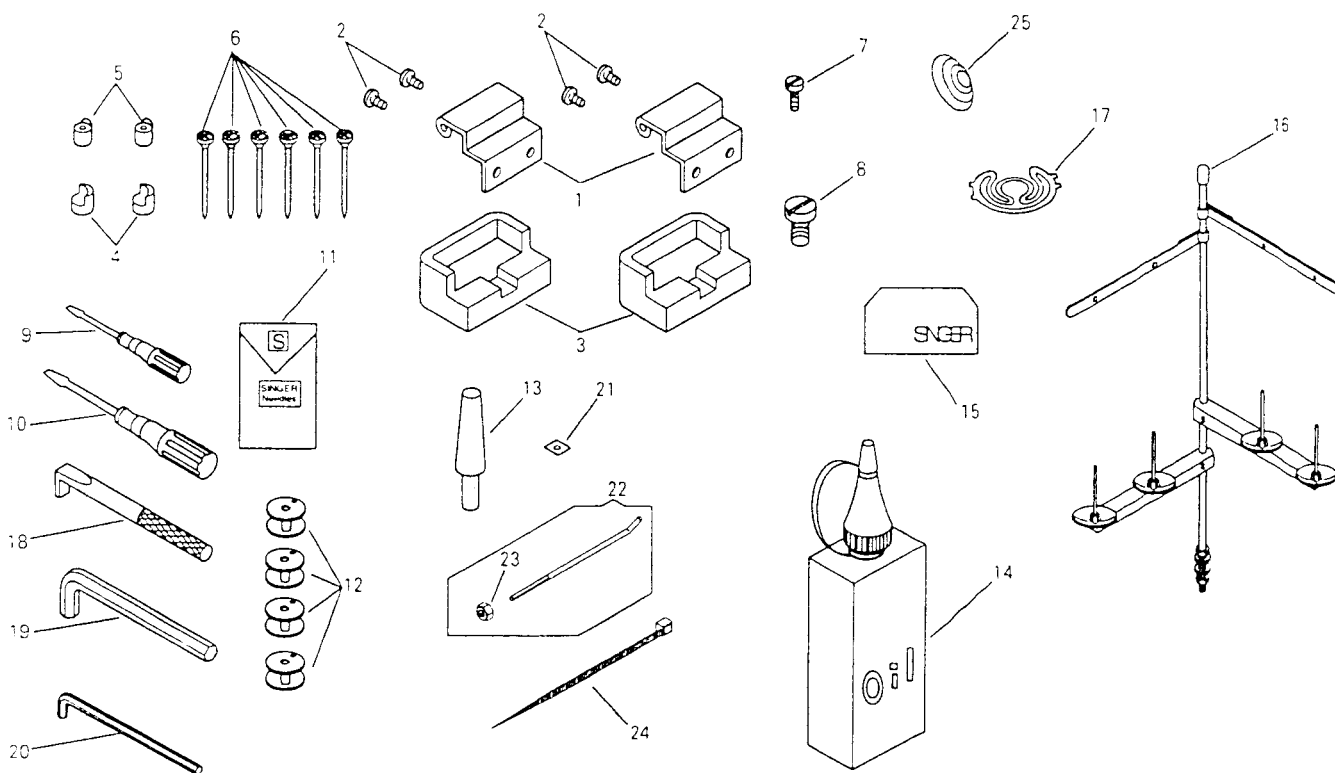
# ACCESSORIES AND ATTACHMENTS 2



NO	PART NO.	PART NO.				QTY	DESCRIPTION
		141A	141B	141G	541A		
1	552643-383	*	*	*	*	1	BELT GUARD COMP.
2	550163-451	*	*	*	*	1	BELT GUARD (LEFT)
3	550164-451	*	*	*	*	1	BELT GUARD (RIGHT)
4	544213-058	*	*	*	*	3	BELT GUARD SCREW
5	544212-007	*	*	*	*	3	BELT GUARD SCREW
6	541165-001	*	*	*	*	3	BELT GUARD SCREW NUT
7	543880-004	*	*	*	*	3	BELT GUARD SCREW NUT RING
8	552822-383	*	*	*	*	1	BELT GUARD (LOWER) COMP.
9	550166-451	*	*	*	*	1	BELT GUARD (LOWER)
10	552820-383	*	*	*	*	1	BELT GUARD SLIDE
11	552821	*	*	*	*	1	BELT GUARD SLIDE PLATE
12	544211-053	*	*	*	*	2	BELT GUARD SLIDE SCREW
13	550169	*	*	*	*	1	BELT GUARD SLIDE SHAFT
14	368279	*	*	*	*	1	BELT GUARD SLIDE SPRING
15	408913	*	*	*	*	2	BELT GUARD SLIDE SHAFT SNAP RING
16	552819-383	*	*	*	*	1	BELT GUARD (LOWER) SPACER
17	412697-002	*	*	*	*	4	BELT GUARD (LOWER) WOOD SCREW
18	543804-003	*	*	*	*	4	BELT GUARD (LOWER) WOOD SCREW WASHER
19	549398	*	*	*	*	4	BELT GUARD (LOWER) SPACER WOOD SCREW

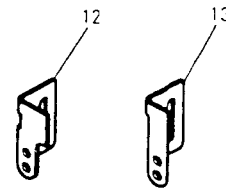
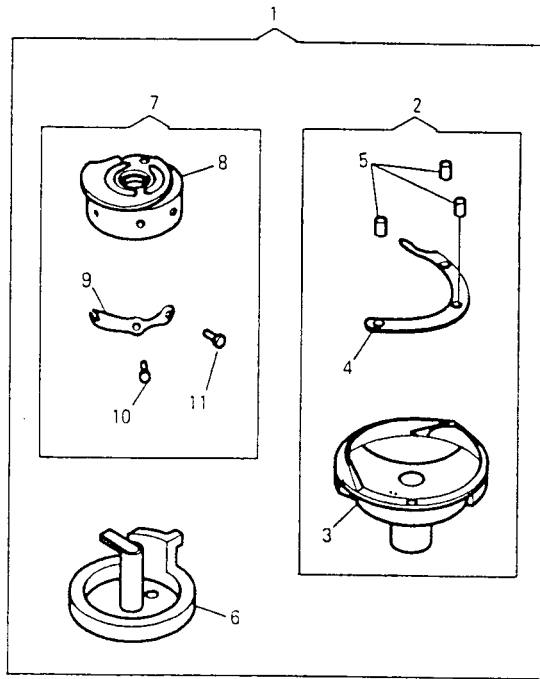
NO	PART NO.	PART NO.				QTY	DESCRIPTION
		141A	141B	141G	541A		

# ACCESSORIES AND ATTACHMENTS 3



PART NO.	141A				Y	DESCRIPTION
	141B	141G	541A	541B		
412212	*	*	*	*	2	MACHINE HINGE CONNECTION
544381	*	*	*	*	4	MACHINE HINGE CONNECTION SCREW
540523	*	*	*	*	2	MACHINE HINGE CONNECTION CUSHION
410570	*	*	*	*	2	MACHINE REST (FRONT)
410571	*	*	*	*	2	MACHINE REST (BACK)
546920-002	*	*	*	*	6	NAIL
545295	*	*	*	*	1	ATTACHMENT SCREW (SMALL)
544388	*	*	*	*	1	ATTACHMENT SCREW (LARGE)
541514	*	*	*	*	1	SCREW DRIVER (SMALL)
548701	*	*	*	*	1	SCREW DRIVER (LONG)
N19550-114	*	*	*	*	5	NEEDLE (CAT.NO.1955-01 #14)
N19550-121	*	*	*	*	5	NEEDLE (CAT.NO.1955-01 #21)
282762	*	*	*	*	4	BOBBIN
282763	*	*	*	*	4	BOBBIN
282764	*	*	*	*	4	BOBBIN
411313	*	*	*	*	1	MACHINE REST PIN
412181	*	*	*	*	1	OILER (250CC, C-TYPE)
414407	*	*	*	*	1	MACHINE COVER
554471-453	*	*	*	*	1	THREAD UNWINDER COMP.
417195	*	*	*	*	2	ANTI SPILL SPRING
417269	*	*	*	*	2	ANTI SPILL SPRING
368444	*	*	*	*	1	SCREW DRIVER
543066-001	*	*	*	*	1	WRENCH (FOR M4)
418441-001	*	*	*	*	1	WRENCH (FOR M3)
548228	*	*	*	*	2	TRAPPER ADJUSTING WASHER
281199	*	*	*	*	1	SENSOR RETAINER COMP.
541196	*	*	*	*	1	SENSOR RETAINER LOCK NUT
540899	*	*	*	*	1	CORD RETAINER
554741	*	*	*	*	2	TENSION SPRING

PARTS AVAILABLE AT EXTRA CHARGE



NO.	PART NO.	141A	141B	141G	541A	541B	541G	T-O	DESCRIPTION
							Y		
1	554605	*	*	*	*	*	*	1	HOOK AND BOBBIN CASE COMP.
1	554610	*	*	*	*	*	*	1	HOOK AND BOBBIN CASE COMP.
2	554606	*	*	*	*	*	*	1	HOOK COMP.
2	554611	*	*	*	*	*	*	1	HOOK COMP.
3	554607	*	*	*	*	*	*	1	HOOK (BODY)
3	554612	*	*	*	*	*	*	1	HOOK (BODY)
4	281135	*	*	*	*	*	*	1	HOOK GIB
4	412311	*	*	*	*	*	*	1	HOOK GIB
5	201253	*	*	*	*	*	*	2	HOOK GIB SCREW
5	500520	*	*	*	*	*	*	3	HOOK GIB SCREW
6	281138	*	*	*	*	*	*	1	BOBBIN CASE COMP.
6	281148	*	*	*	*	*	*	1	BOBBIN CASE COMP.
7	552878	*	*	*	*	*	*	1	BOBBIN CASE CAP COMP.
7	554613	*	*	*	*	*	*	1	BOBBIN CASE CAP COMP.
8	552879	*	*	*	*	*	*	1	BOBBIN CASE CAP
8	554614	*	*	*	*	*	*	1	BOBBIN CASE CAP
9	281143	*	*	*	*	*	*	1	BOBBIN CASE CAP TENSION SPRING
9	281149	*	*	*	*	*	*	1	BOBBIN CASE CAP TENSION SPRING
10	200984	*	*	*	*	*	*	1	BOBBIN CASE CAP TENSION SPRING REGULATING SCREW
10	500519	*	*	*	*	*	*	1	BOBBIN CASE CAP TENSION SPRING REGULATING SCREW
11	200594	*	*	*	*	*	*	1	BOBBIN CASE TENSION SPRING SCREW
11	500518	*	*	*	*	*	*	1	BOBBIN CASE TENSION SPRING SCREW
12	554681	*	*	*	*	*	*	1	ARM THREAD GUIDE
13	554082	*	*	*	*	*	*	1	ARM THREAD GUIDE

NO.	PART NO.	141A	141B	141G	541A	541B	541G	T-O	DESCRIPTION
							Y		