

SINGER
412U141AA,BA,GA,541AA,BA,GA

ILLUSTRATED PARTS LIST

FOR SINGER®

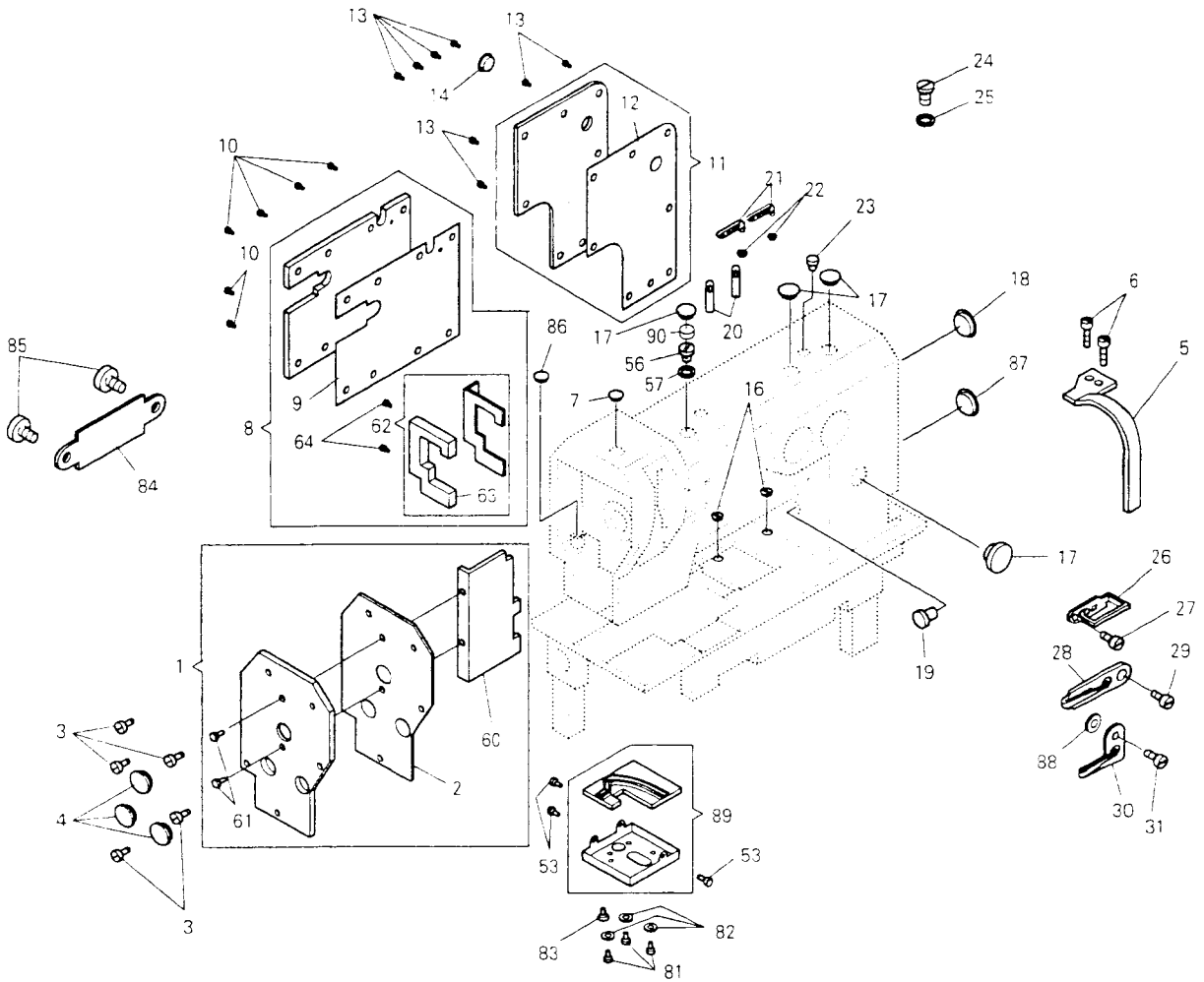
MACHINES

412U 141AA
141BA
141GA
541AA
541BA
541GA

CONTENTS

FACE PLATE, ARM SIDE COVER	1
TAKE-UP LEVER, ARM SHAFT, MACHINE PULLEY	2
NEEDLE BAR, NEEDLE BAR ROCK FRAME	3
PRESSER BAR, PRESSER BAR LIFTER	4
FEED MECHANISM (FEED ROCK SHAFT DRIVING FRAME)	5
FEED REGULATING DIAL, FEED REVERSE LEVER	6
FEED BAR, FEED DRIVING ROCK SHAFT	7
HOOK DRIVING SHAFT,HOOK DRIVING SHAFT CONNECTION BELT PULLEY	8
HOOK SADDLE (RIGHT), HOOK	9
HOOK SADDLE (LEFT), HOOK	11
LUBRICATION (PLUNGER PUMP)	13
LUBRICATION (OIL RESERVOIR)	14
LUBRICATION (BED AREA)	15
TENSION	16
BOBBIN WINDER	17
THREAD TRIMMER 1	18
THREAD TRIMMER 2	19
TENSION RELEASING	20
BACK TACK MECHANISM / BACK TACK SWITCH	21
WIPER	22
GAUGE PARTS	23
ACCESSORIES AND ATTACHMENTS 1	25
ACCESSORIES AND ATTACHMENTS 2	26
ACCESSORIES AND ATTACHMENTS 3	27
PARTS AVAILABLE AT EXTRA CHARGE	28

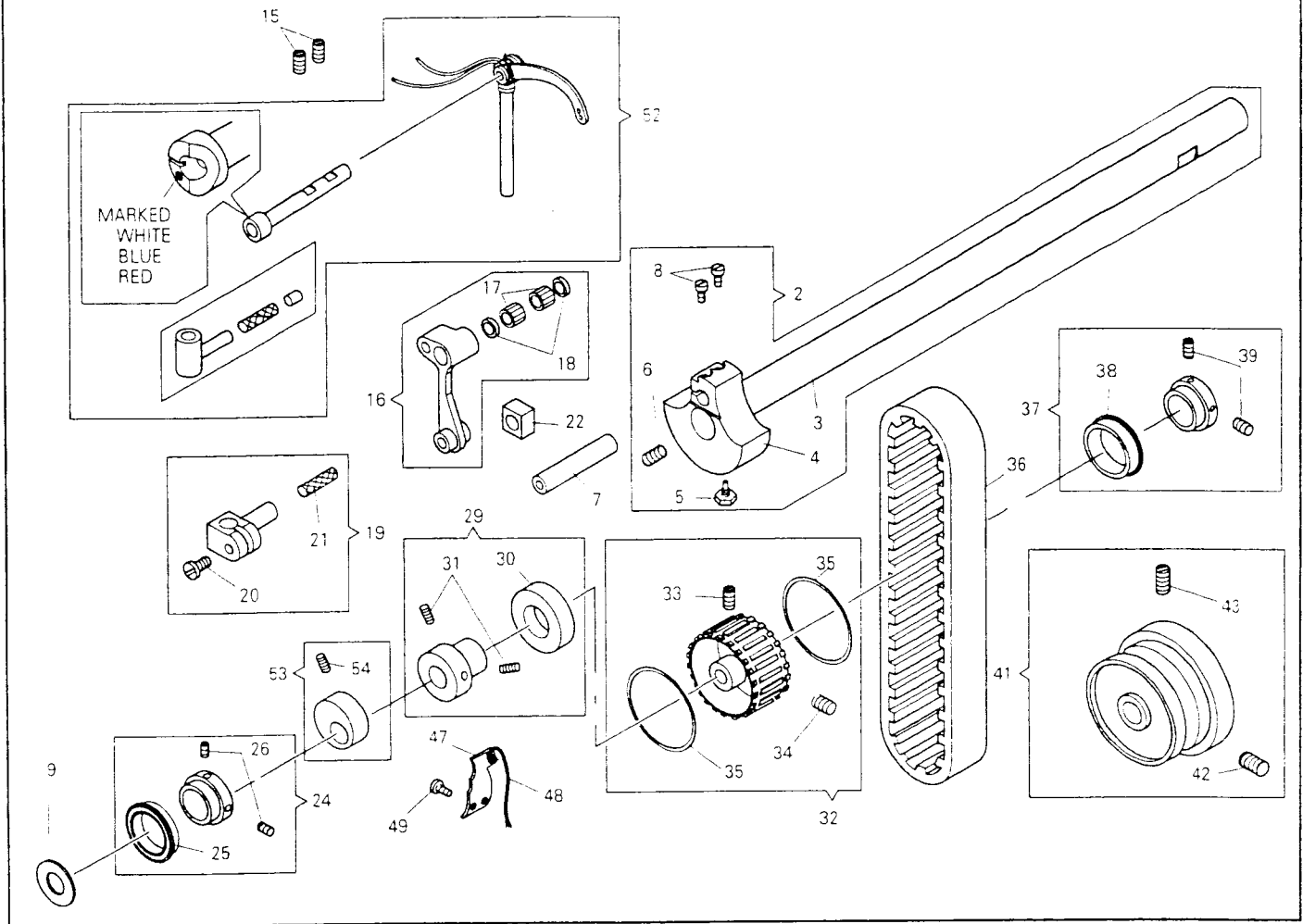
FACE PLATE, ARM SIDE COVER



NO	PART NO	141AA	141BA	141GA	541AA	541BA	541GA	T	D	DESCRIPTION
1	552866-467	*	*	*	*	*	*	1		FACE PLATE AND FACE PLATE PACKING COMP.
1	554430-467	-	*	*	*	*	*	1		FACE PLATE AND FACE PLATE PACKING COMP.
2	554309	*	*	*	*	*	*	1		FACE PLATE PACKING
3	544217-052	*	*	*	*	*	*	5		FACE PLATE SCREW
4	368063	*	*	*	*	*	*	3		FACE PLATE PLUG
5	552410-467	-	*	*	*	*	*	1		TAKE-UP LEVER GUARD
5	552923-467	-	*	*	*	*	*	1		TAKE-UP LEVER GUARD
6	544217-052	*	*	*	*	*	*	2		TAKE-UP LEVER GUARD SCREW
7	418384-452	*	*	*	*	*	*	1		ARM HOLE PLUG (NEEDLE BAR HOLE)
8	554450	*	*	*	*	*	*	1		ARM SIDE COVER (SMALL) AND ARM SIDE COVER (SMALL) GASKET COMP.
9	554308	*	*	*	*	*	*	1		ARM SIDE COVER (SMALL) GASKET
10	544217-052	*	*	*	*	*	*	6		ARM SIDE COVER (SMALL) SCREW
11	552867	*	*	*	*	*	*	1		ARM SIDE COVER (LARGE) AND ARM SIDE COVER (LARGE) GASKET COMP.
12	554310	*	*	*	*	*	*	1		ARM SIDE COVER (LARGE) PACKING
13	544217-052	*	*	*	*	*	*	8		ARM SIDE COVER (LARGE) SCREW
13	544217-052	-	*	*	*	*	*	7		ARM SIDE COVER (LARGE) SCREW
14	544217-004	-	*	*	*	*	*	1		ARM SIDE COVER (LARGE) SCREW
14	368063-392	*	*	*	*	*	*	1		ARM SIDE COVER (LARGE) HOLE PLUG
16	549230	*	*	*	*	*	*	2		BED OIL HOLE PLUG
17	544875-392	*	*	*	*	*	*	4		ARM HOLE PLUG
18	552835	*	*	*	*	*	*	1		ARM HOLE PLUG (BACK)
19	552833	*	*	*	*	*	*	1		ARM HOLE PLUG (FEED REVERSE LEVER HINGE STUD HOLE)
20	509552	*	*	*	*	*	*	2		THREAD GUIDE STUD
21	411092	*	*	*	*	*	*	2		THREAD RETAINER (4-HOLES)
22	541130	*	*	*	*	*	*	2		THREAD RETAINER (4-HOLES) NUT
23	375074-452	*	*	*	*	*	*	1		ARM HOLE PLUG (SMALL)
24	544212-003	*	*	*	*	*	*	1		EARTH WIRE SCREW
25	543803-003	*	*	*	*	*	*	1		EARTH WIRE SCREW WASHER
26	552415	*	*	*	*	*	*	1		THREAD GUIDE (UPPER)
27	544347	*	*	*	*	*	*	1		THREAD GUIDE (UPPER) SCREW
28	287316	*	*	*	*	*	*	1		THREAD GUIDE (MIDDLE)
29	544347	*	*	*	*	*	*	1		THREAD GUIDE (MIDDLE) SCREW

NO	PART NO	141AA	141BA	141GA	541AA	541BA	541GA	T	D	DESCRIPTION
30	224040	*	*	*	*	*	*	1		THREAD GUIDE (LOWER)
31	544347	*	*	*	*	*	*	1		THREAD GUIDE (LOWER) SCREW
53	544217-051	*	*	*	*	*	*	3		NEEDLE BAR ROCK FRAME COVER SCREW
56	545036	*	*	*	*	*	*	1		TAKE-UP LEVER OIL HOLE CAP SCREW
57	546754	*	*	*	*	*	*	1		TAKE-UP LEVER OIL HOLE CAP SCREW
60	554492	-	*	*	*	*	*	1		FACE PLATE OIL GUARD
61	544211-002	-	*	*	*	*	*	2		FACE PLATE OIL GUARD SCREW
62	554451	*	*	*	*	*	*	1		ARM SIDE COVER (SMALL) OIL GUARD COMP.
63	554686	*	*	*	*	*	*	1		ARM SIDE COVER (SMALL) OIL GUARD OIL SEAL
64	544211-002	*	*	*	*	*	*	2		ARM SIDE COVER (SMALL) OIL GUARD SCREW
81	374497-001	*	*	*	*	*	*	3		NEEDLE BAR ROCK FRAME COVER SCREW
82	548054	*	*	*	*	*	*	3		NEEDLE BAR ROCK FRAME COVER SCREW WASHER
83	374583-002	*	*	*	*	*	*	1		NEEDLE BAR ROCK FRAME COVER SCREW
84	554640	*	*	*	*	*	*	1		ARM SIDE COVER
85	544217-052	*	*	*	*	*	*	2		ARM SIDE COVER SCREW
86	418384-452	*	*	*	*	*	*	1		ARM HOLE PLUG
87	502760	*	*	*	*	*	*	1		ARM HOLE PLUG
88	543875-005	*	*	*	*	*	*	1		FEED REGULATOR SHAFT HOLE) THREAD GUIDE (LOWER) SPACER
89	554376	*	*	*	*	*	*	1		NEEDLE BAR ROCK FRAME COVER COVER PACKING COMP.
90	204329	*	*	*	*	*	*	1		TAKE-UP LEVER OIL PAD (FELT)

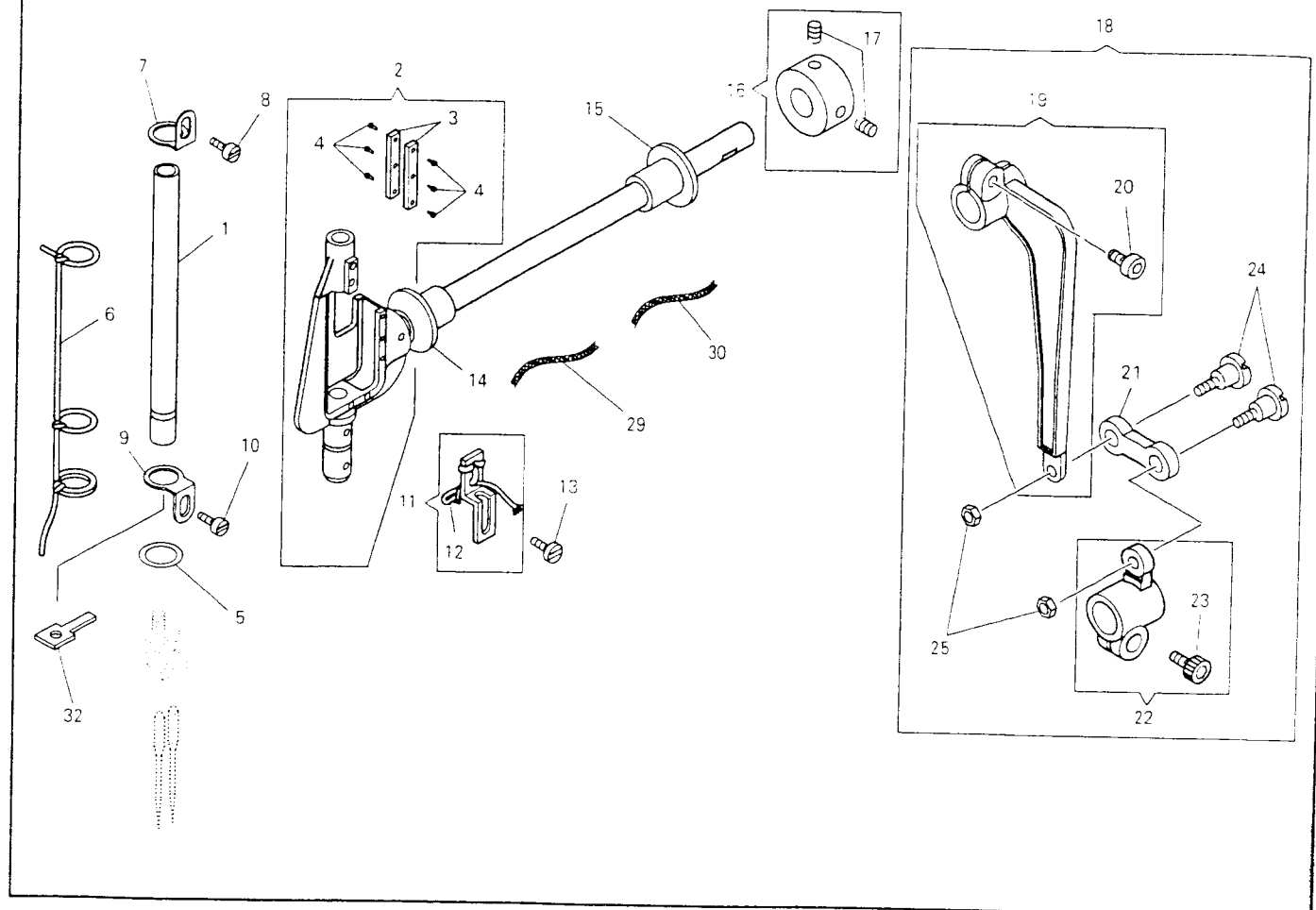
TAKE-UP LEVER, ARM SHAFT, MACHINE PULLEY



NO.	PART NO.	141AA	141BA	141GA	541AA	541BA	541GA	QTY	DESCRIPTION
2	554812	*	*	*	-	-	-	1	ARM SHAFT NEEDLE BAR CRANK COMP.
2	554815	-	-	-	*	*	*	1	ARM SHAFT NEEDLE BAR CRANK COMP.
3	554323	*	*	*	*	*	*	1	ARM SHAFT
4	554813	*	*	*	-	-	-	1	NEEDLE BAR CRANK
4	554816	-	-	-	*	*	*	1	NEEDLE BAR CRANK
5	374100	*	*	*	*	*	*	1	NEEDLE BAR CRANK POSITION SCREW
6	504095	*	*	*	*	*	*	1	NEEDLE BAR CRANK SET SCREW
7	554693	*	*	*	*	*	*	1	NEEDLE BAR CONNECTING LINK STUD
8	544448	*	*	*	*	*	*	2	NEEDLE BAR CONNECTING LINK STUD PINCH SCREW
9	554325	*	*	*	*	*	*	1	NEEDLE BAR CRANK FRICTION WASHER
15	544209-006	*	*	*	*	*	*	2	TAKE-UP LEVER HINGE STUD SET SCREW
16	554327	*	*	*	*	*	*	1	NEEDLE BAR CONNECTING LINK COMP.
17	502964	*	*	*	*	*	*	2	NEEDLE BAR CONNECTING LINK BEARING
18	554329	*	*	*	*	*	*	2	NEEDLE BAR CONNECTING LINK
19	552428	*	*	*	*	*	*	1	BEARING RETAINING RING
20	545071	*	*	*	*	*	*	1	NEEDLE BAR CONNECTING STUD COMP.
21	202330	*	*	*	*	*	*	1	NEEDLE BAR CONNECTING STUD OIL WICK
22	552429	*	*	*	*	*	*	1	NEEDLE BAR CONNECTING STUD SLIDE BLOCK
24	554334	*	*	*	*	*	*	1	ARM SHAFT BALL BEARING (FRONT) COMP.
25	554335	*	*	*	*	*	*	1	ARM SHAFT BALL BEARING (FRONT)
26	544209-005	*	*	*	*	*	*	2	ARM SHAFT BALL BEARING INSIDE COLLAR SET SCREW
29	554851	*	*	*	*	*	*	1	ARM SHAFT BALL BEARING (MIDDLE) COMP.
30	554835	*	*	*	*	*	*	1	ARM SHAFT BALL BEARING (MIDDLE)
31	544207-012	*	*	*	*	*	*	2	ARM SHAFT BALL BEARING INSIDE COLLAR SET SCREW
32	554336	*	*	*	*	*	*	1	ARM SHAFT CONNECTION BELT PULLEY COMP.
33	544322	*	*	*	*	*	*	1	ARM SHAFT CONNECTION BELT PULLEY SET SCREW
34	555036	*	*	*	*	*	*	1	ARM SHAFT CONNECTION BELT PULLEY POSITION SCREW

NO.	PART NO.	141AA	141BA	141GA	541AA	541BA	541GA	QTY	DESCRIPTION
35	202253	*	*	*	*	*	*	2	ARM SHAFT CONNECTION BELT PULLEY SPRING FLANGE
36	267161	*	*	*	*	*	*	1	ARM SHAFT CONNECTION BELT
37	554783	*	*	*	*	*	*	1	ARM SHAFT BALL BEARING (BACK) COMP.
38	554784	*	*	*	*	*	*	1	ARM SHAFT BALL BEARING (BACK)
39	544209-005	*	*	*	*	*	*	2	ARM SHAFT BALL BEARING INSIDE COLLAR SET SCREW
41	554656-383	*	-	*	-	-	-	1	MACHINE PULLEY COMP.
41	555133-467	-	*	*	*	*	*	1	MACHINE PULLEY COMP.
42	141566	*	*	*	*	*	*	1	MACHINE PULLEY POSITION SCREW
43	141567-833	*	*	*	*	*	*	1	MACHINE PULLEY SET SCREW
47	554341	*	*	*	*	*	*	1	TAKE-UP LEVER OIL GUARD
48	555055	*	*	*	*	*	*	1	TAKE-UP LEVER OIL GUARD OIL WICK
49	545114	*	*	*	*	*	*	1	TAKE-UP LEVER OIL GUARD SCREW
52	555172-000	*	*	*	-	-	-	1	TAKE-UP LEVER, TAKE-UP LEVER DRIVING STUD, TAKE-UP LEVER HINGE STUD COMP.
52	555180-000	-	-	-	*	*	*	1	TAKE-UP LEVER, TAKE-UP LEVER HINGE STUD COMP.
									-001 (MARKED WHITE) -002 (MARKED BLUE) -003 (MARKED RED)
53	554597	-	-	-	*	*	*	1	ARM SHAFT BALANCER COMP.
54	544209-006	-	-	-	*	*	*	1	ARM SHAFT BALANCER SET SCREW

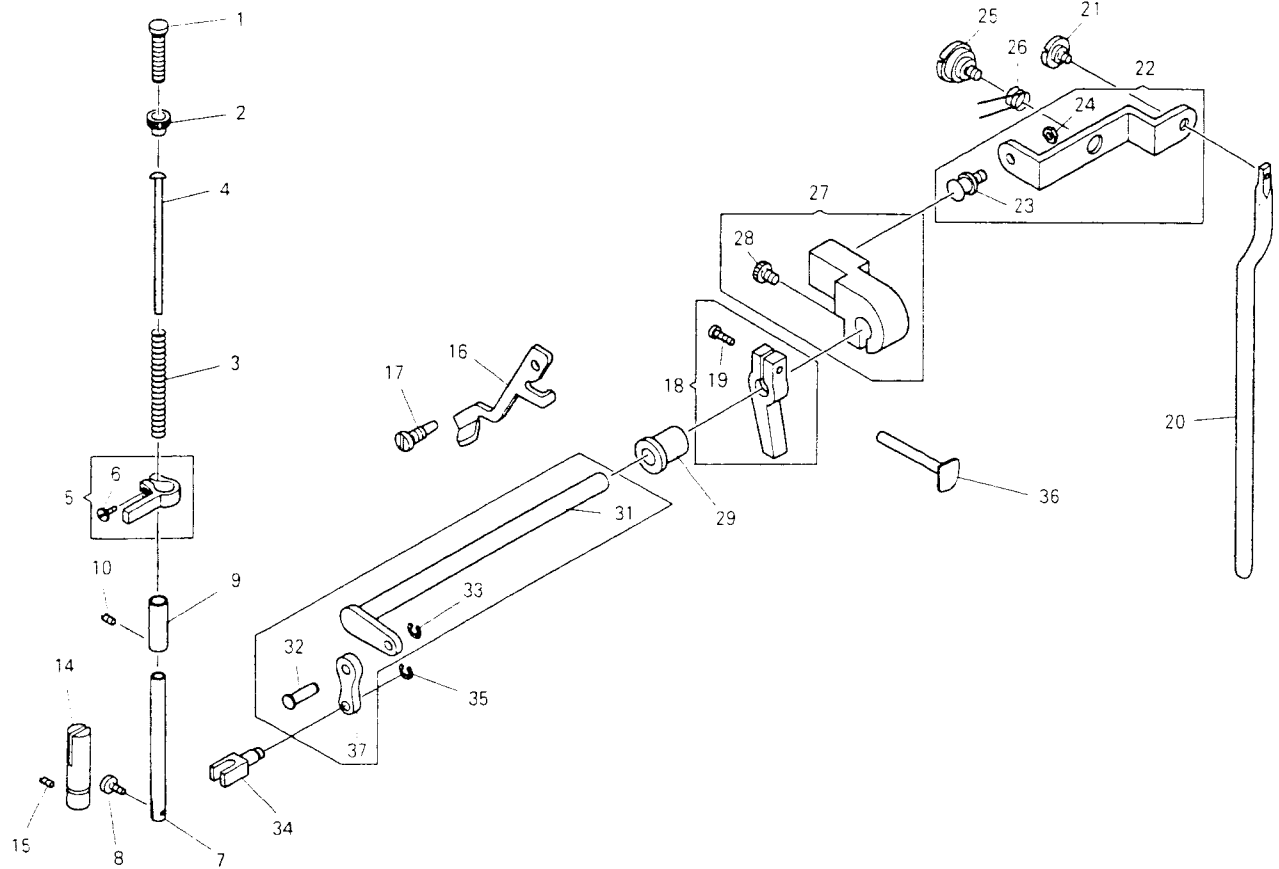
NEEDLE BAR, NEEDLE BAR ROCK FRAME



NO.	PART NO.	141AA	141BA	141GA	541AA	541BA	541GA	QTY	DESCRIPTION
1	412175	*	*	*	*	*	*	1	NEEDLE BAR
2	552435	*	*	*	*	*	*	1	NEEDLE BAR ROCK FRAME COMP
3	554358	*	*	*	*	*	*	2	NEEDLE BAR ROCK FRAME WEAR PLATE
4	544377	*	*	*	*	*	*	6	NEEDLE BAR ROCK FRAME WEAR PLATE SCREW
5	543871-012	*	*	*	*	*	*	1	NEEDLE BAR OIL GUARD
6	554862	*	*	*	*	*	*	1	NEEDLE BAR OIL WICK
7	552440	*	*	*	*	*	*	1	NEEDLE BAR OIL WICK RETAINER (UPPER)
8	544376	*	*	*	*	*	*	1	NEEDLE BAR OIL WICK RETAINER (UPPER) SCREW
9	554531	*	*	*	*	*	*	1	NEEDLE BAR OIL WICK RETAINER (LOWER)
10	544376	*	*	*	*	*	*	1	NEEDLE BAR OIL WICK RETAINER (LOWER) SCREW
11	554343	*	*	*	*	*	*	1	NEEDLE BAR CONNECTING LINK OIL WICK RETAINER COMP.
12	554344	*	*	*	*	*	*	1	NEEDLE BAR CONNECTING LINK OIL WICK
13	544376	*	*	*	*	*	*	1	NEEDLE BAR CONNECTING LINK OIL WICK RETAINER SCREW
14	554635	*	*	*	*	*	*	1	NEEDLE BAR ROCK FRAME ROCK SHAFT BUSHING (FRONT)
15	554636	*	*	*	*	*	*	1	NEEDLE BAR ROCK FRAME ROCK SHAFT BUSHING (BACK)
16	552443	*	*	*	*	*	*	1	NEEDLE BAR ROCK FRAME ROCK SHAFT COLLAR COMP
17	544204-001	*	*	*	*	*	*	2	NEEDLE BAR ROCK FRAME ROCK SHAFT COLLAR SCREW
18	554637	*	*	*	*	*	*	1	NEEDLE BAR ROCK FRAME ROCK SHAFT CONNECTION, CRANK AND LINK COMP.
19	554638	*	*	*	*	*	*	1	NEEDLE BAR ROCK FRAME ROCK SHAFT CONNECTION COMP

NO.	PART NO.	141AA	141BA	141GA	541AA	541BA	541GA	QTY	DESCRIPTION
20	374108-009	*	*	*	*	*	*	1	NEEDLE BAR ROCK FRAME ROCK SHAFT CONNECTION PINCH SCREW
21	552448	*	*	*	*	*	*	1	NEEDLE BAR ROCK FRAME ROCK SHAFT CRANK LINK
22	552449	*	*	*	*	*	*	1	NEEDLE BAR ROCK FRAME ROCK SHAFT CRANK COMP.
23	374108-009	*	*	*	*	*	*	1	NEEDLE BAR ROCK FRAME ROCK SHAFT CRANK PINCH SCREW
24	374547	*	*	*	*	*	*	2	NEEDLE BAR ROCK FRAME ROCK SHAFT CRANK LINK HINGE SCREW
25	541168-003	*	*	*	*	*	*	2	NEEDLE BAR ROCK FRAME ROCK SHAFT CRANK LINK HINGE SCREW NUT
29	554465-002	*	*	*	*	*	*	1	NEEDLE BAR ROCK FRAME ROCK SHAFT BUSHING (FRONT) OIL WICK
30	554466-003	*	*	*	*	*	*	1	NEEDLE BAR ROCK FRAME ROCK SHAFT BUSHING (BACK) OIL WICK
32	554858	*	*	*	*	*	*	1	NEEDLE BAR ROCK FRAME FELT

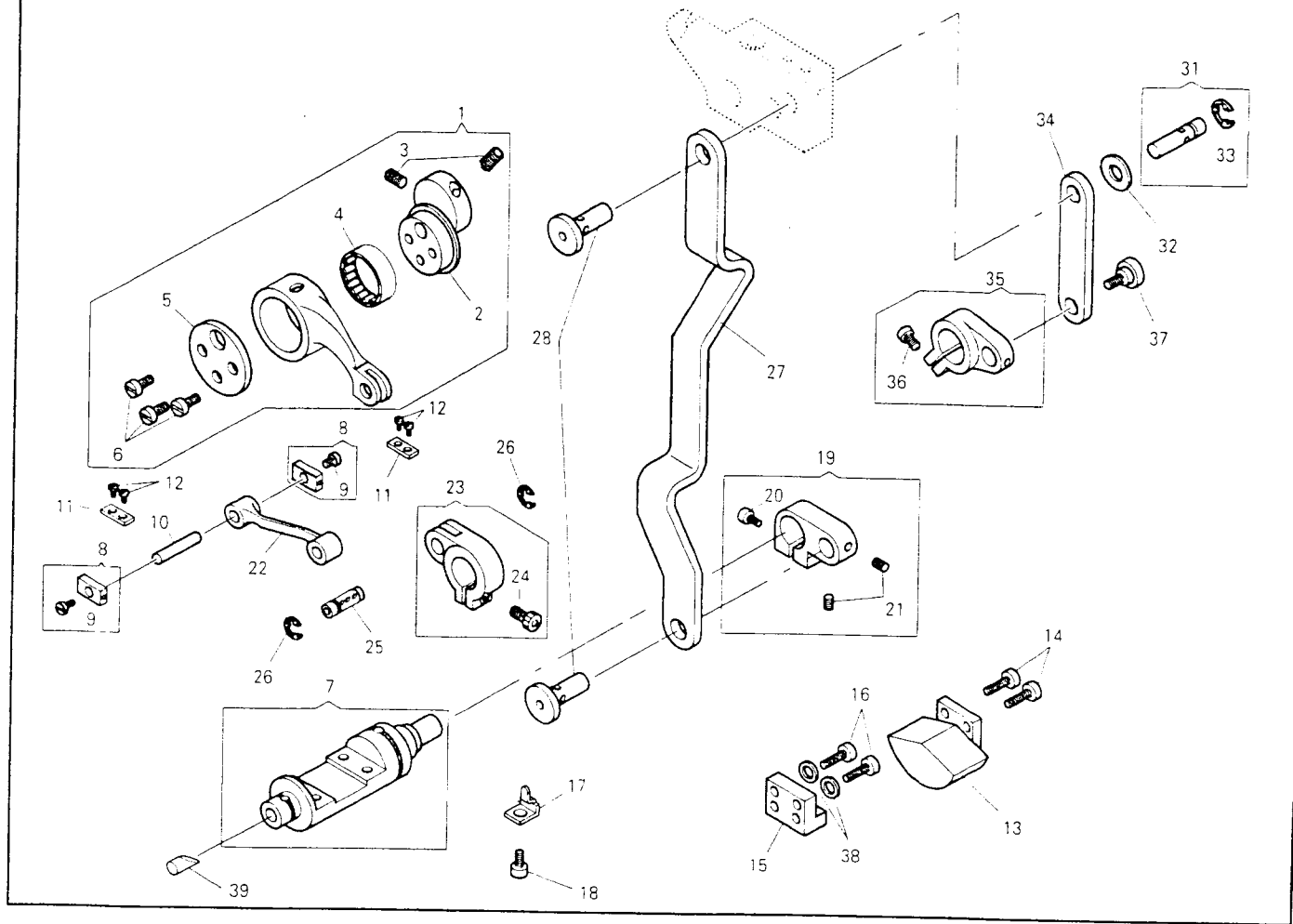
PRESSER BAR, PRESSER BAR LIFTER



NO.	PART NO.	141AA	141BA	141GA	541AA	541BA	541GA	QTY	DESCRIPTION
		*	*	*	*	*	*		
1	552859	*	*	*	*	*	*	1	PRESSURE REGULATING SCREW
2	376424-383	*	*	*	*	*	*	1	PRESSURE REGULATING SCREW LOCK NUT
3	552454	*	*	*	*	*	*	1	PRESSER BAR SPRING
4	552455	*	*	*	*	*	*	1	PRESSURE REGULATING SCREW
5	552452	*	*	*	*	*	*	1	GUIDE ROD
6	545295	*	*	*	*	*	*	1	PRESSER BAR POSITION GUIDE LEVER COMP.
7	552451	*	*	*	*	*	*	1	PRESSER BAR
8	500256	*	*	*	*	*	*	1	PRESSER FOOT SCREW
9	554407	*	*	*	*	*	*	1	PRESSER BAR BUSHING
10	544205-002	*	*	*	*	*	*	1	PRESSER BAR BUSHING SET SCREW
14	202337	*	*	*	*	*	*	1	PRESSER BAR POSITION GUIDE
15	544205-002	*	*	*	*	*	*	1	PRESSER BAR POSITION GUIDE SET SCREW
16	552456	*	*	*	*	*	*	1	PRESSER BAR LIFTER
17	374541	*	*	*	*	*	*	1	PRESSER BAR LIFTER HINGE SCREW
18	552457	*	*	*	*	*	*	1	PRESSER BAR LIFTER ARM COMP.
19	374108-001	*	*	*	*	*	*	1	PRESSER BAR LIFTER ARM PINCH SCREW
20	552459	*	*	*	*	*	*	1	KNEE LIFTER ROCK LEVER LIFTING ROD
21	545356	*	*	*	*	*	*	1	KNEE LIFTER ROCK LEVER LIFTING ROD SCREW
22	552460	*	*	*	*	*	*	1	KNEE LIFTER ROCK LEVER COMP.
23	552462	*	*	*	*	*	*	1	KNEE LIFTER ROCK LEVER BALL STUD
24	541166-001	*	*	*	*	*	*	1	KNEE LIFTER ROCK LEVER BALL STUD LOCK NUT
25	374559	*	*	*	*	*	*	1	KNEE LIFTER ROCK LEVER SCREW
26	417113	*	*	*	*	*	*	1	KNEE LIFTER ROCK LEVER SPRING
27	552464	*	*	*	*	*	*	1	KNEE LIFTER SHAFT DRIVING ARM COMP.
28	374108-009	*	*	*	*	*	*	1	KNEE LIFTER SHAFT DRIVING ARM PINCH SCREW
29	552466	*	*	*	*	*	*	1	KNEE LIFTER SHAFT BUSHING

NO.	PART NO.	141AA	141BA	141GA	541AA	541BA	541GA	QTY	DESCRIPTION
		*	*	*	*	*	*		
31	552468	*	*	*	*	*	*	1	KNEE LIFTER SHAFT
32	552472	*	*	*	*	*	*	1	KNEE LIFTER SHAFT LINK PIN
33	543860-005	*	*	*	*	*	*	1	KNEE LIFTER SHAFT LINK PIN SNAP RING
34	552473	*	*	*	*	*	*	1	KNEE LIFTER SHAFT LINK BLOCK
35	543860-005	*	*	*	*	*	*	1	KNEE LIFTER SHAFT LINK BLOCK SNAP RING
36	552474	*	*	*	*	*	*	1	TENSION RELEASE LEVER ROD COMP.
37	552471	*	*	*	*	*	*	1	KNEE LIFTER SHAFT LINK

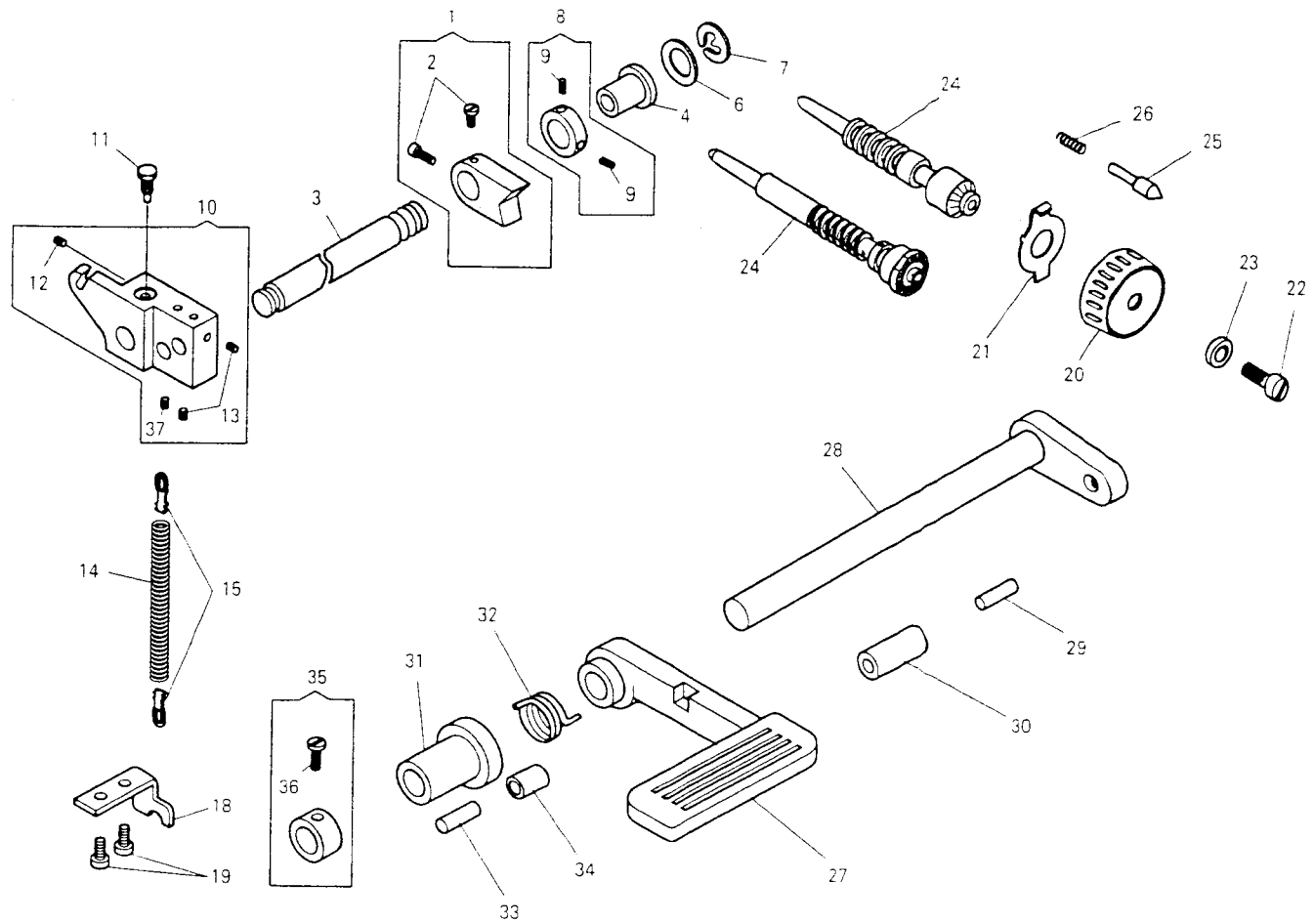
FEED MECHANISM (FEED ROCK SHAFT DRIVING FRAME)



NO.	PART NO.	QTY				DESCRIPTION	
		141AA	141BA	141GA	541GA		
1	552477	*	*	*	*	1	FEED DRIVING ECCENTRIC AND FEED DRIVING ECCENTRIC CONNECTION COMP.
2	552478	*	*	*	*	1	FEED DRIVING ECCENTRIC
3	544209-005	*	*	*	*	2	FEED DRIVING ECCENTRIC SET SCREW
4	552479	*	*	*	*	1	FEED DRIVING ECCENTRIC CONNECTION BEARING
5	552481	*	*	*	*	1	FEED DRIVING ECCENTRIC CONNECTION BEARING RETAINING PLATE
6	544212-051	*	*	*	*	3	FEED DRIVING ECCENTRIC CONNECTION BEARING RETAINING PLATE SCREW
7	552482	*	*	*	*	1	FEED ROCK SHAFT DRIVING FRAME COMP.
8	552484	*	*	*	*	2	FEED ROCK SHAFT DRIVING SLIDE BLOCK COMP.
9	549166	*	*	*	*	2	FEED ROCK SHAFT DRIVING SLIDE BLOCK SCREW
10	552485	*	*	*	*	1	FEED ROCK SHAFT DRIVING SLIDE BLOCK STUD
11	552486	*	*	*	*	2	FEED ROCK SHAFT DRIVING SLIDE BLOCK GUIDE PLATE
12	544212-053	*	*	*	*	4	FEED ROCK SHAFT DRIVING SLIDE BLOCK GUIDE PLATE SCREW
13	554493	*	*	*	*	1	FEED ROCK SHAFT DRIVING FRAME BALANCE WEIGHT
14	374106-006	*	*	*	*	2	FEED ROCK SHAFT DRIVING FRAME BALANCE WEIGHT SCREW
15	554494	*	*	*	*	1	FEED ROCK SHAFT DRIVING FRAME BALANCE WEIGHT BRACKET
16	374107-003	*	*	*	*	2	FEED ROCK SHAFT DRIVING FRAME BALANCE WEIGHT BRACKET SCREW
17	552487	*	*	*	*	1	FEED ROCK SHAFT DRIVING FRAME SUPPORT PLATE
18	544213-057	*	*	*	*	1	FEED ROCK SHAFT DRIVING FRAME SUPPORT PLATE SCREW

NO.	PART NO.	QTY				DESCRIPTION	
		141AA	141BA	141GA	541GA		
19	554798	*	*	*	*	1	FEED ROCK SHAFT DRIVING FRAME LEVER COMP.
20	374107-004	*	*	*	*	1	FEED ROCK SHAFT DRIVING FRAME LEVER PINCH SCREW
21	544208-005	*	*	*	*	2	FEED ROCK SHAFT DRIVING FRAME LEVER STUD SET SCREW
22	552490	*	*	*	*	1	FEED ROCK SHAFT DRIVING LINK
23	554680	*	*	*	*	1	FEED ROCK SHAFT CRANK COMP.
24	374107-004	*	*	*	*	1	FEED ROCK SHAFT CRANK PINCH SCREW
25	552493	*	*	*	*	1	FEED ROCK SHAFT CRANK PIN
26	543801-006	*	*	*	*	2	FEED ROCK SHAFT CRANK PIN SNAP RING
27	554756	*	*	*	*	1	FEED REGULATING LINK
28	554797	*	*	*	*	2	FEED REGULATING LINK STUD
31	554785	*	*	*	*	1	FEED REVERSE LINK STUD COMP.
32	412226	*	*	*	*	1	FEED REVERSE LINK STUD THRUST WASHER
33	543571	*	*	*	*	1	FEED REVERSE LINK STUD SNAP RING
34	554757	*	*	*	*	1	FEED REVERSE LINK
35	554754	*	*	*	*	1	FEED REVERSE LEVER SHAFT CRANK COMP.
36	374107-004	*	*	*	*	1	FEED REVERSE LEVER SHAFT CRANK PINCH SCREW
37	549288	*	*	*	*	1	FEED REVERSE LEVER SHAFT CRANK HINGE SCREW
38	544840	*	*	*	*	2	FEED ROCK SHAFT DRIVING FRAME BALANCE WEIGHT BRACKET SPRING WASHER
39	555066	*	*	*	*	1	FEED ROCK SHAFT DRIVING FRAME RUBBER PLUG

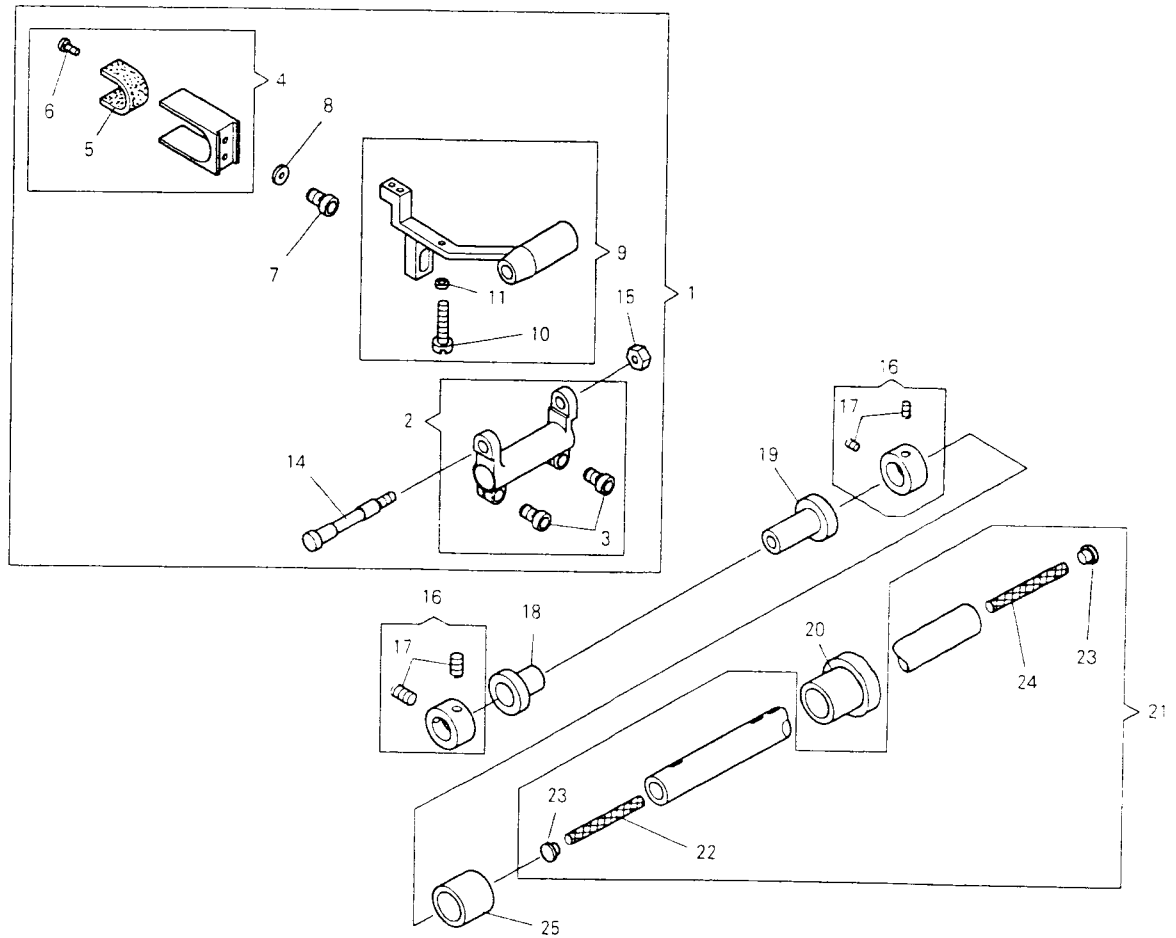
FEED REGULATING DIAL, FEED REVERSE LEVER



NO.	PART NO.	141AA	141BA	141GA	541AA	541BA	541GA	QTY	DESCRIPTION
1	552494	*	*	*	*	*	*	1	FEED REGULATOR COMP
2	374300	*	*	*	*	*	*	2	FEED REGULATOR SCREW
3	552496	*	*	*	*	*	*	1	FEED REGULATOR SHAFT
4	552497	*	*	*	*	*	*	1	FEED REGULATOR SHAFT BUSHING
6	418340	*	*	*	*	*	*	1	FEED REGULATOR SHAFT THRUST WASHER
7	543801-010	*	*	*	*	*	*	1	FEED REGULATOR SHAFT SNAP RING
8	552719	*	*	*	*	*	*	1	FEED REGULATOR SHAFT COLLAR COMP.
9	544207-011	*	*	*	*	*	*	2	FEED REGULATOR SHAFT COLLAR SET SCREW
10	554752	*	*	*	*	*	*	1	FEED REGULATOR SHAFT ARM COMP.
11	368108	*	*	*	*	*	*	1	FEED REGULATOR SHAFT ARM POSITION SCREW
12	544205-001	*	*	*	*	*	*	1	FEED REGULATOR SHAFT ARM SET SCREW
13	544208-005	*	*	*	*	*	*	2	FEED REGULATING STUD SET SCREW
14	555152	*	*	*	*	*	*	1	FEED REGULATOR SHAFT ARM SPRING
15	555153	*	*	*	*	*	*	2	FEED REGULATOR SHAFT ARM SPRING HOOK
18	555154	*	*	*	*	*	*	1	FEED REGULATOR SHAFT ARM SPRING HOOK RETAINER
19	544213-053	*	*	*	*	*	*	2	FEED REGULATOR SHAFT ARM SPRING HOOK RETAINER SCREW
20	552514	*	*	*	*	*	*	1	FEED REGULATING DIAL
21	544947	*	*	*	*	*	*	1	FEED REGULATING DIAL SERRATION PLATE
22	368362	*	*	*	*	*	*	1	FEED REGULATING DIAL CAP SCREW
23	368363	*	*	*	*	*	*	1	FEED REGULATING DIAL CAP SCREW WASHER
24	552515	*	*	*	*	*	*	1	FEED REGULATING STUD
24	554455	*	*	*	*	*	*	1	FEED REGULATING STUD
25	368114	*	*	*	*	*	*	1	FEED REGULATING DIAL LOCK PIN
26	545820	*	*	*	*	*	*	1	FEED REGULATING DIAL LOCK PIN SPRING
27	552516	*	*	*	*	*	*	1	FEED REVERSE LEVER

NO.	PART NO.	141AA	141BA	141GA	541AA	541BA	541GA	QTY	DESCRIPTION
28	552518	*	*	*	*	*	*	1	FEED REVERSE LEVER SHAFT ARM COMP.
29	543831-001	*	*	*	*	*	*	1	FEED REVERSE LEVER SHAFT ARM PIN
30	552521	*	*	*	*	*	*	1	FEED REVERSE LEVER SHAFT ARM PIN COVER
31	368129	*	*	*	*	*	*	1	FEED REVERSE LEVER SHAFT BUSHING
32	368130	*	*	*	*	*	*	1	FEED REVERSE LEVER SPRING
33	375653	*	*	*	*	*	*	1	FEED REVERSE LEVER STOPPER PIN
34	375662	*	*	*	*	*	*	1	FEED REVERSE LEVER STOPPER PIN COVER
35	552522	*	*	*	*	*	*	1	FEED REVERSE LEVER SHAFT COLLAR COMP.
36	374062	*	*	*	*	*	*	1	FEED REVERSE LEVER SHAFT COLLAR SET SCREW
37	544208-005	*	*	*	*	*	*	1	FEED REVERSE LINK STUD SET SCREW

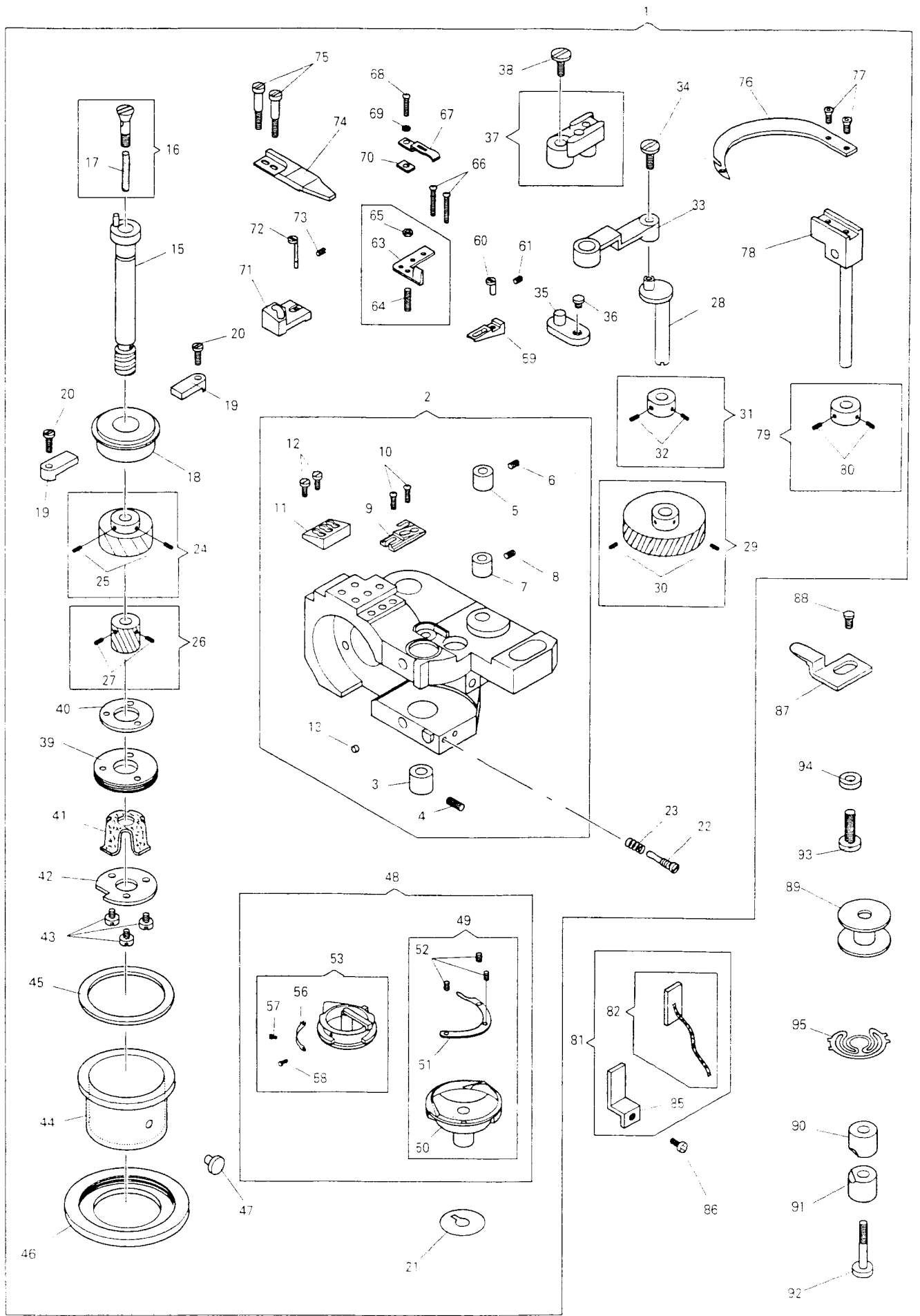
FEED BAR, FEED DRIVING ROCK SHAFT



NO	PART NO.	141AA	141BA	141GA	541AA	541BA	541GA	Y	QTY	DESCRIPTION
1	554984	*	-	*	-	-	-	1	1	FEED BAR AND FEED DRIVING ROCK FRAME COMP.
1	554986	-	*	*	-	*	*	1	1	FEED BAR AND FEED DRIVING ROCK FRAME COMP.
2	554985	*	-	*	-	-	-	1	1	FEED DRIVING ROCK FRAME COMP.
2	554987	-	*	*	-	*	*	1	1	FEED DRIVING ROCK FRAME COMP.
3	374108-009	*	*	*	*	*	*	2	2	FEED DRIVING ROCK FRAME PINCH SCREW
4	412161	*	*	*	*	*	*	1	1	FEED LIFTING ECCENTRIC FORK COMP.
5	223655	*	*	*	*	*	*	1	1	FEED LIFTING ECCENTRIC FORK OILING FELT
6	549075	*	*	*	*	*	*	1	1	FEED LIFTING ECCENTRIC FORK OILING FELT SCREW
7	544411	*	*	*	*	*	*	1	1	FEED LIFTING ECCENTRIC FORK SCREW
8	543804-025	*	*	*	*	*	*	1	1	FEED LIFTING ECCENTRIC FORK SCREW WASHER
9	412183	*	-	*	-	-	-	1	1	FEED BAR COMP.
9	281090	-	*	*	-	*	*	1	1	FEED BAR COMP.
10	545391	*	*	*	*	*	*	1	1	FEED DOG SUPPORT SCREW
11	545437	*	*	*	*	*	*	1	1	FEED DOG SUPPORT SCREW NUT
14	412089	*	-	*	-	-	-	1	1	FEED BAR HINGE SCREW
14	281091	-	*	*	-	*	*	1	1	FEED BAR HINGE SCREW
15	545405	*	-	*	-	-	-	1	1	FEED BAR HINGE SCREW NUT
15	545428	-	*	*	-	*	*	1	1	FEED BAR HINGE SCREW NUT
16	508327	*	*	*	*	*	*	2	2	FEED ROCK SHAFT STOP COLLAR COMP.
17	154780	*	*	*	*	*	*	4	4	FEED ROCK SHAFT STOP COLLAR SET SCREW
18	552523	*	*	*	*	*	*	1	1	FEED ROCK SHAFT BUSHING (FRONT)
19	367397	*	*	*	*	*	*	1	1	FEED ROCK SHAFT BUSHING (MIDDLE)
20	552524	*	*	*	*	*	*	1	1	FEED ROCK SHAFT BUSHING (BACK)
21	552525	*	*	*	*	*	*	1	1	FEED ROCK SHAFT COMP.
22	554465-004	*	*	*	*	*	*	1	1	FEED ROCK SHAFT OIL PACKING (WICK) (LONG)
23	502987	*	*	*	*	*	*	2	2	FEED ROCK SHAFT OIL HOLE PLUG
24	554465-001	*	*	*	*	*	*	1	1	FEED DRIVING ROCK SHAFT OIL PACKING (WICK) (SHORT)

NO	PART NO.	141AA	141BA	141GA	541AA	541BA	541GA	Y	QTY	DESCRIPTION
25	555059	*	*	*	*	*	*	1	1	FEED ROCK SHAFT BUSHING (MIDDLE, RIGHT)

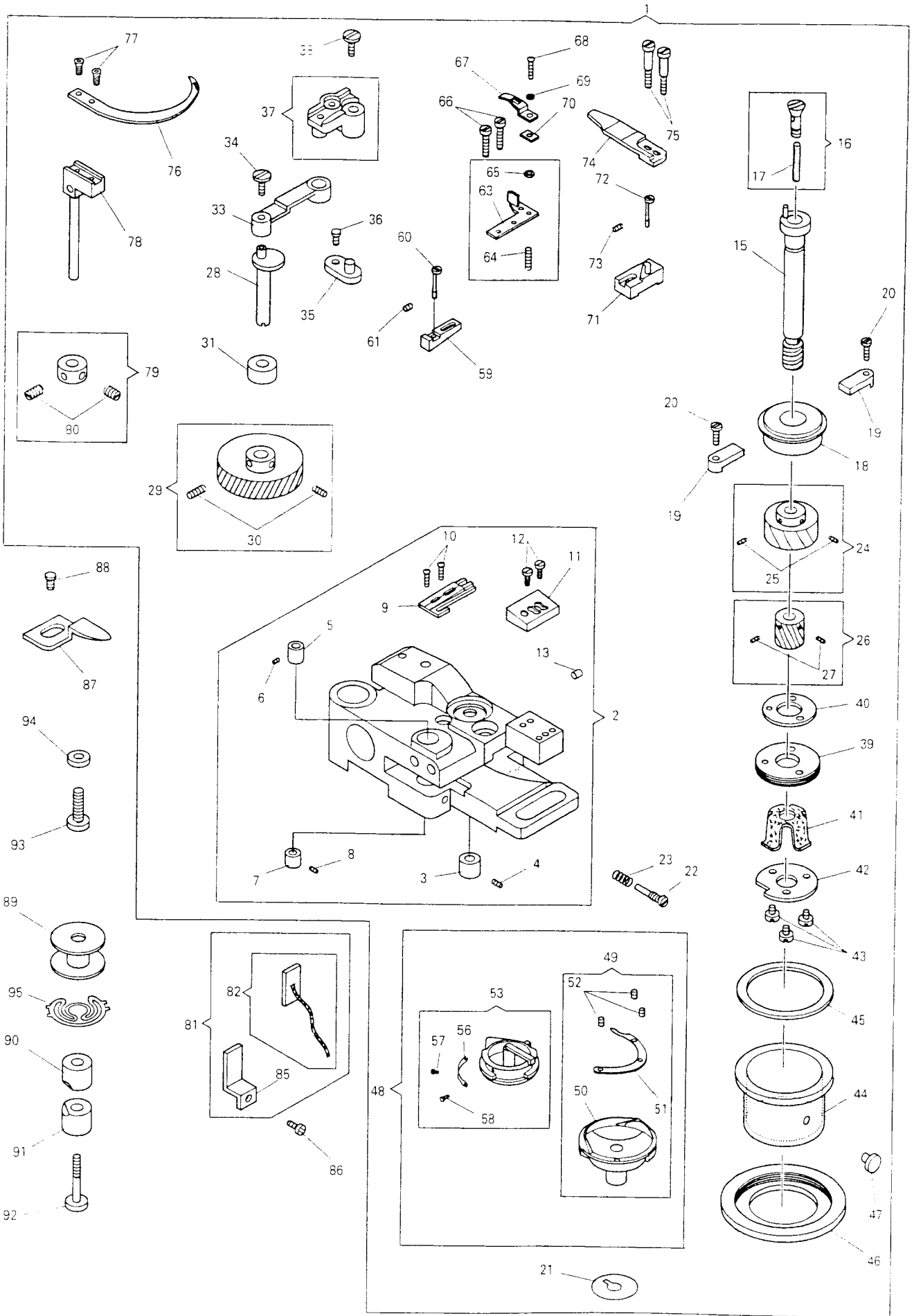
HOOK SADDLE (RIGHT), HOOK



NO.	PART NO.	141AA	141BA	141GA	541AA	541BA	541GA	Y	T	Q	DESCRIPTION
1	554460	-	*	*	-	-	-	1			HOOK SADDLE (RIGHT) WITH HOOK COMP.
1	554701	*	-	-	-	-	-	1			HOOK SADDLE (RIGHT) WITH HOOK COMP.
1	554706	-	-	-	*	-	-	1			HOOK SADDLE (RIGHT) WITH HOOK COMP.
1	554711	-	-	-	*	*	-	1			HOOK SADDLE (RIGHT) WITH HOOK COMP.
2	554461	-	*	*	-	-	-	1			HOOK SADDLE (RIGHT) COMP.
2	554702	*	-	-	-	-	-	1			HOOK SADDLE (RIGHT) COMP.
2	554707	-	-	-	*	-	-	1			HOOK SADDLE (RIGHT) COMP.
2	554712	-	-	-	*	*	-	1			HOOK SADDLE (RIGHT) COMP.
3	554643-001	*	*	*	-	-	-	1			HOOK SHAFT BUSHING (LOWER)
3	554643-002	*	*	*	-	-	-	1			HOOK SHAFT BUSHING (LOWER)
4	504020	*	*	*	*	*	*	1			HOOK SHAFT BUSHING (LOWER) SET SCREW
5	282784-001	*	*	*	*	*	*	1			BOBBIN CASE OPENER CAM SHAFT BUSHING (UPPER)
6	544207-011	*	*	*	*	*	*	1			BOBBIN CASE OPENER CAM SHAFT BUSHING (UPPER) SET SCREW
7	282784-002	*	*	*	*	*	*	1			BOBBIN CASE OPENER CAM SHAFT BUSHING (LOWER)
8	544207-011	*	*	*	*	*	*	1			BOBBIN CASE OPENER CAM SHAFT BUSHING (LOWER) SET SCREW
9	281039	-	*	*	-	*	*	1			THREAD PULLER SUPPORT
10	544211-052	-	*	*	-	*	*	2			ADJUSTING BLOCK (LOWER) THREAD PULLER SUPPORT
11	281040	-	*	*	-	*	*	1			ADJUSTING BLOCK (LOWER) SET SCREW
12	544211-052	-	*	*	-	*	*	2			STATIONARY KNIFE ADJUSTING BLOCK (LOWER)
13	554641	*	*	*	*	*	*	1			STATIONARY KNIFE ADJUSTING BLOCK (LOWER) SET SCREW
15	554647	*	*	*	*	*	*	1			HOOK SADDLE PLUG
16	554648	*	*	*	*	*	*	1			HOOK SHAFT COMP
17	502928	*	*	*	*	*	*	1			HOOK SHAFT OIL WICK HOLDER COMP.
18	267053	*	*	*	*	*	*	1			HOOK SHAFT OIL FELT
19	514173	*	*	*	*	*	*	2			HOOK BALL BEARING
20	504010-452	*	*	*	*	*	*	2			HOOK BALL BEARING RETAINER
21	514170	*	*	*	*	*	*	4			HOOK BALL BEARING RETAINER SCREW
21	554913	*	*	*	*	*	*	(3)			HOOK SPACER
22	554839	*	*	*	*	*	*	1			HOOK SPACER
23	544958	*	*	*	*	*	*	1			OIL REGULATING SCREW
24	554644	*	*	*	*	*	*	1			OIL REGULATING SCREW
25	544325	*	*	*	*	*	*	2			HOOK DRIVING PINION SET SCREW
26	554645	*	*	*	*	*	*	1			HOOK DRIVING PINION SET SCREW
27	544207-011	*	*	*	*	*	*	2			BOBBIN CASE OPENER CAM SHAFT ACTUATING GEAR COMP.
28	282788	*	*	*	*	*	*	1			BOBBIN CASE OPENER CAM SHAFT ACTUATING GEAR SET SCREW
29	282789	*	*	*	*	*	*	1			BOBBIN CASE OPENER CAM SHAFT GEAR COMP.
30	544207-011	*	*	*	*	*	*	2			BOBBIN CASE OPENER CAM SHAFT GEAR SET SCREW
31	282790	*	*	*	*	*	*	1			BOBBIN CASE OPENER CAM SHAFT COLOR COMP.
32	544207-011	*	*	*	*	*	*	2			BOBBIN CASE OPENER CAM SHAFT COLOR SET SCREW
33	282791	*	*	*	-	-	-	1			BOBBIN CASE OPENER CRANK LINK
33	282802	-	-	-	*	*	*	1			BOBBIN CASE OPENER CRANK LINK
34	544356	*	*	*	*	*	*	1			BOBBIN CASE OPENER CRANK LINK CAP SCREW
35	412283	*	*	*	*	*	*	1			BOBBIN CASE OPENER CRANK HINGE STUD
36	544383	*	*	*	*	*	*	1			BOBBIN CASE OPENER CRANK HINGE STUD SCREW
37	282792	*	*	*	*	*	*	1			BOBBIN CASE OPENER CRANK COMP.
38	544356	*	*	*	*	*	*	1			BOBBIN CASE OPENER CRANK CAP SCREW
39	554659	*	*	*	*	*	*	1			BOBBIN CASE OPENER CRANK CAP SCREW
40	554668	*	*	*	*	*	*	1			HOOK SADDLE OIL RESERVOIR BRACKET
41	281046	*	*	*	*	*	*	1			HOOK SADDLE OIL RESERVOIR BRACKET GASKET
42	554608	*	*	*	*	*	*	1			HOOK OIL FELT
43	544211-003	*	*	*	*	*	*	3			HOOK OIL FELT RETAINER
44	554658	*	*	*	*	*	*	1			HOOK OIL FELT RETAINER SCREW
45	554661	*	*	*	*	*	*	1			HOOK SADDLE OIL RESERVOIR BRACKET
46	554660	*	*	*	*	*	*	1			HOOK SADDLE OIL RESERVOIR GASKET
47	357314	*	*	*	*	*	*	1			HOOK SADDLE OIL RESERVOIR RING
47	357314	*	*	*	*	*	*	1			HOOK SADDLE OIL RESERVOIR PLUG

NO.	PART NO.	141AA	141BA	141GA	541AA	541BA	541GA	Y	T	Q	DESCRIPTION
48	554824	-	*	*	-	-	-	1			HOOK AND BOBBIN CASE COMP.
48	554825	-	*	*	-	-	-	1			HOOK AND BOBBIN CASE COMP.
49	554606	-	*	*	-	-	-	1			HOOK COMP
49	554611	-	*	*	-	-	-	1			HOOK BODY
50	554607	*	*	*	-	-	-	1			HOOK (BODY)
50	554612	-	*	*	-	-	-	1			HOOK (BODY)
51	281135	-	*	*	-	-	-	1			HOOK GIB
51	555120	-	*	*	-	-	-	1			HOOK GIB
52	201253	*	*	*	-	-	-	2			HOOK GIB SCREW
52	500520	-	*	*	-	-	-	3			HOOK GIB SCREW
53	281136	*	*	*	-	-	-	1			BOBBIN CASE COMP.
53	281146	-	*	*	-	-	-	1			BOBBIN CASE COMP.
56	236083	*	*	*	-	-	-	1			BOBBIN CASE TENSION SPRING
56	510011	-	*	*	-	-	-	1			BOBBIN CASE TENSION SPRING
57	201016	*	*	*	-	-	-	1			BOBBIN CASE TENSION SPRING
57	500519	-	-	-	*	*	*	1			REGULATING SCREW
58	200594	*	*	*	-	-	-	1			BOBBIN CASE TENSION SPRING REGULATING SCREW
58	500518	-	-	-	*	*	*	1			BOBBIN CASE TENSION SPRING SCREW
59	281056	-	*	*	-	*	*	1			THREAD PULLER SUPPORT
60	543376	-	*	*	-	*	*	1			ADJUSTING BLOCK (UPPER) ECCENTRIC PIN
61	544207-011	-	*	*	-	*	*	1			ADJUSTING BLOCK (UPPER) ECCENTRIC PIN SET SCREW
63	281055	-	*	*	-	*	*	1			THREAD PULLER SUPPORT
64	374475	-	*	*	-	*	*	1			TRAPPER ADJUSTING SCREW
65	541159	-	*	*	-	*	*	1			TRAPPER ADJUSTING SCREW NUT
66	374478	-	*	*	-	*	*	2			THREAD PULLER SUPPORT SCREW
67	281057	-	*	*	-	*	*	1			TRAPPER
68	544413	-	*	*	-	*	*	1			TRAPPER SET SCREW
69	408386	-	*	*	-	*	*	1			TRAPPER SET SCREW WASHER
70	548228	-	*	*	-	*	*	1			TRAPPER ADJUSTING WASHER (t=0.13M/M)
71	281059	-	*	*	-	*	*	1			STATIONARY KNIFE ADJUSTING BLOCK (UPPER)
72	281060	-	*	*	-	*	*	1			STATIONARY KNIFE ADJUSTING BLOCK (UPPER) ECCENTRIC PIN
73	544207-011	-	*	*	-	*	*	1			STATIONARY KNIFE ADJUSTING BLOCK (UPPER) ECCENTRIC PIN SET SCREW
74	281058	-	*	*	-	*	*	1			STATIONARY KNIFE
75	374476	-	*	*	-	*	*	2			STATIONARY KNIFE SET SCREW
76	281050-001	-	*	*	-	*	*	1			THREAD PULLER
77	374583-002	-	*	*	-	*	*	2			THREAD PULLER SCREW
78	281051	-	*	*	-	*	*	1			THREAD PULLER RETAINER BRACKET COMP.
78	282803	-	-	-	-	*	*	1			THREAD PULLER RETAINER BRACKET COMP.
79	281064	-	*	*	-	*	*	1			THREAD PULLER RETAINER BRACKET
80	544207-011	-	*	*	-	*	*	2			SHAFT COLLAR COMP.
81	552891	*	*	*	*	*	*	1			THREAD PULLER RETAINER BRACKET SHAFT COLLAR SET SCREW
82	552892	*	*	*	*	*	*	1			HOOK DRIVING PINION OIL FELT, OIL FELT BRACKET COMP.
85	552893	*	*	*	*	*	*	1			HOOK DRIVING PINION OIL FELT BRACKET
86	544211-002	*	*	*	*	*	*	1			HOOK DRIVING PINION OIL FELT BRACKET SCREW
87	282793	*	*	*	*	*	*	1			BOBBIN CASE OPENER
88	549027	*	*	*	*	*	*	1			BOBBIN CASE OPENER SCREW
89	282762	*	*	*	-	-	-	1			BOBBIN
89	282763	-	-	-	*	*	*	1			BOBBIN
89	282764	-	-	-	-	*	*	1			BOBBIN
90	412115	-	*	*	-	*	*	1			PINCH SLEEVE (UPPER)
91	267139	*	*	*	*	*	*	1			PINCH SLEEVE (LOWER)
92	544364	*	*	*	*	*	*	1			PINCH SLEEVE SCREW
93	544334	*	*	*	*	*	*	1			HOOK SADDLE (RIGHT) SCREW
94	225585	*	*	*	*	*	*	1			HOOK SADDLE (RIGHT) SCREW WASHER
95	417195	-	*	*	-	-	-	1			ANTI SPILL SPRING
95	417269	-	-	-	-	*	*	1			ANTI SPILL SPRING

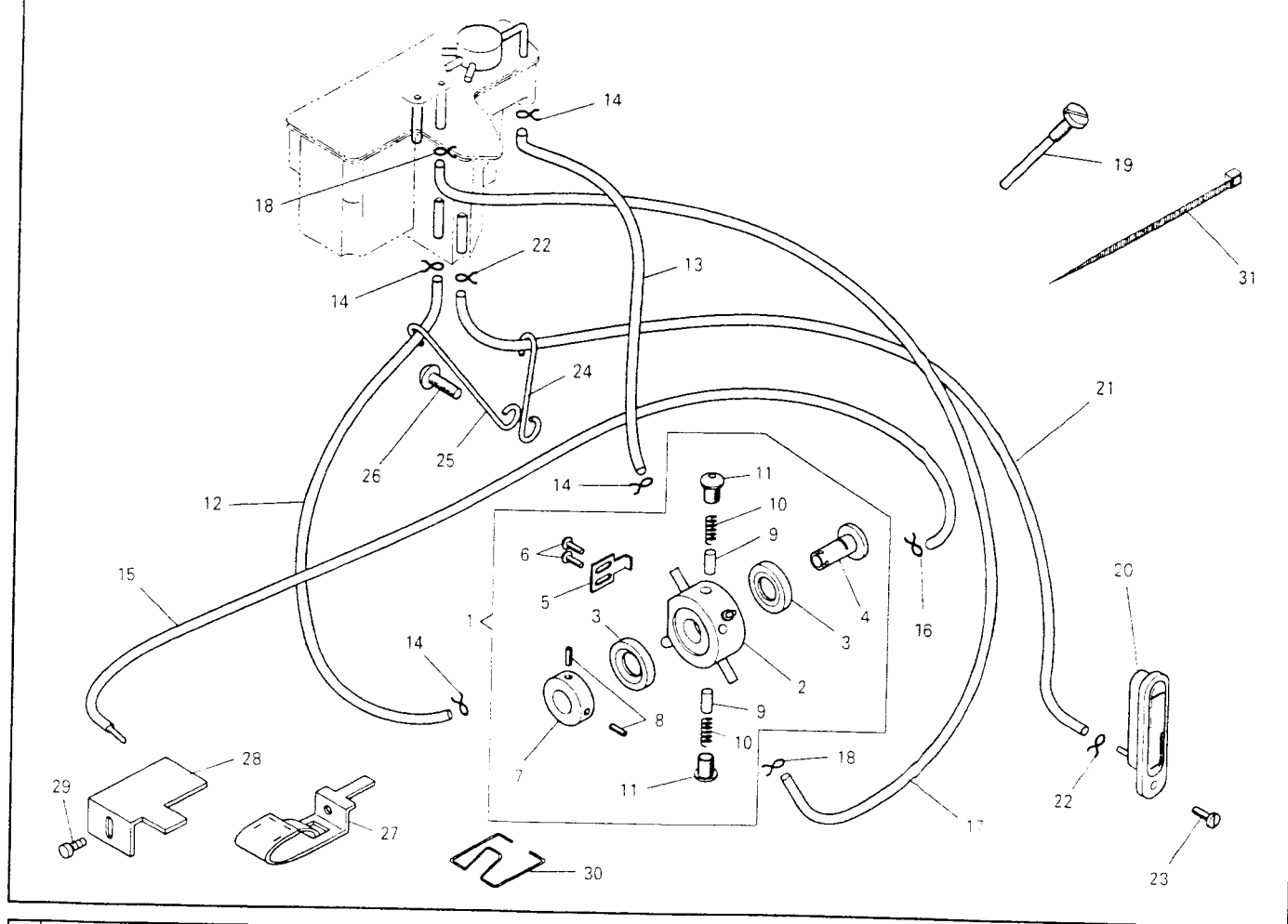
HOOK SADDLE (LEFT), HOOK



NO.	PART NO.	141AA	141BA	141AG	541AA	541BA	541GA	Y	DESCRIPTION
1	554362	*	*	*	*	*	*	1	HOOK SADDLE (LEFT) WITH HOOK COMP
1	554703	*	*	*	*	*	*	1	HOOK SADDLE (LEFT) WITH HOOK COMP
1	554708	*	*	*	*	*	*	1	HOOK SADDLE (LEFT) WITH HOOK COMP.
1	554714	*	*	*	*	*	*	1	HOOK SADDLE (LEFT) WITH HOOK COMP.
2	554463	*	*	*	*	*	*	1	HOOK SADDLE (LEFT) COMP.
2	554704	*	*	*	*	*	*	1	HOOK SADDLE (LEFT) COMP.
2	554709	*	*	*	*	*	*	1	HOOK SADDLE (LEFT) COMP.
2	554715	*	*	*	*	*	*	1	HOOK SADDLE (LEFT) COMP.
3	554643-001	*	*	*	*	*	*	1	HOOK SHAFT BUSHING (LOWER)
3	554643-002	*	*	*	*	*	*	1	HOOK SHAFT BUSHING (LOWER)
4	504020	*	*	*	*	*	*	1	HOOK SHAFT BUSHING (LOWER) SET SCREW
5	282784-001	*	*	*	*	*	*	1	BOBBIN CASE OPENER CAM SHAFT BUSHING (UPPER)
6	544207-011	*	*	*	*	*	*	1	BOBBIN CASE OPENER CAM SHAFT BUSHING (UPPER) SET SCREW
7	282797	*	*	*	*	*	*	1	BOBBIN CASE OPENER CAM SHAFT BUSHING (LOWER)
8	544207-011	*	*	*	*	*	*	1	BOBBIN CASE OPENER CAM SHAFT BUSHING (LOWER) SET SCREW
9	281039	*	*	*	*	*	*	1	THREAD PULLER SUPPORT ADJUSTING BLOCK (LOWER)
10	544211-052	*	*	*	*	*	*	2	THREAD PULLER SUPPORT ADJUSTING BLOCK (LOWER) SET SCREW
11	281040	*	*	*	*	*	*	1	STATIONARY KNIFE ADJUSTING BLOCK (LOWER)
12	544211-052	*	*	*	*	*	*	2	STATIONARY KNIFE ADJUSTING BLOCK (LOWER) SET SCREW
13	554641	*	*	*	*	*	*	1	HOOK SADDLE PLUG
15	554647	*	*	*	*	*	*	1	HOOK SHAFT COMP.
16	554648	*	*	*	*	*	*	1	HOOK SHAFT OIL WICK HOLDER COMP.
17	502928	*	*	*	*	*	*	1	HOOK SHAFT OIL FELT
18	267053	*	*	*	*	*	*	1	HOOK BALL BEARING
19	514173	*	*	*	*	*	*	2	HOOK BALL BEARING RETAINER
20	504010-452	*	*	*	*	*	*	2	HOOK BALL BEARING RETAINER SCREW
21	514170	*	*	*	*	*	*	4	HOOK SPACER
21	554913	*	*	*	*	*	*	(3)	HOOK SPACER
22	554839	*	*	*	*	*	*	1	OIL REGULATING SCREW
23	544958	*	*	*	*	*	*	1	OIL REGULATING SCREW SPRING
24	554644	*	*	*	*	*	*	1	HOOK DRIVING PINION COMP.
25	544325	*	*	*	*	*	*	2	HOOK DRIVING PINION SET SCREW
26	554645	*	*	*	*	*	*	1	BOBBIN CASE OPENER CAM SHAFT ACTUATING GEAR COMP.
27	544207-011	*	*	*	*	*	*	2	BOBBIN CASE OPENER CAM SHAFT ACTUATING GEAR SET SCREW
28	282788	*	*	*	*	*	*	1	BOBBIN CASE OPENER CAM SHAFT GEAR COMP.
29	282789	*	*	*	*	*	*	1	BOBBIN CASE OPENER CAM SHAFT GEAR COMP.
30	544207-011	*	*	*	*	*	*	2	BOBBIN CASE OPENER CAM SHAFT GEAR SET SCREW
31	282798	*	*	*	*	*	*	1	BOBBIN CASE OPENER CAM SHAFT SPACER
33	282791	*	*	*	*	*	*	1	BOBBIN CASE OPENER CRANK LINK
33	282802	*	*	*	*	*	*	1	BOBBIN CASE OPENER CRANK LINK
34	544356	*	*	*	*	*	*	1	BOBBIN CASE OPENER CRANK LINK CAP SCREW
35	412283	*	*	*	*	*	*	1	BOBBIN CASE OPENER CRANK HINGE STUD
36	544383	*	*	*	*	*	*	1	BOBBIN CASE OPENER CRANK HINGE STUD SCREW
37	282792	*	*	*	*	*	*	1	BOBBIN CASE OPENER CRANK COMP.
38	544356	*	*	*	*	*	*	1	BOBBIN CASE OPENER CRANK CAP SCREW
39	554659	*	*	*	*	*	*	1	HOOK SADDLE OIL RESERVOIR BRACKET
40	554668	*	*	*	*	*	*	1	HOOK SADDLE OIL RESERVOIR BRACKET GASKET
41	281046	*	*	*	*	*	*	1	HOOK OIL FELT
42	554608	*	*	*	*	*	*	1	HOOK OIL FELT RETAINER
43	544211-003	*	*	*	*	*	*	3	HOOK OIL FELT RETAINER SCREW
44	554658	*	*	*	*	*	*	1	HOOK SADDLE OIL RESERVOIR BRACKET GASKET
45	554661	*	*	*	*	*	*	1	HOOK SADDLE OIL RESERVOIR GASKET
46	554660	*	*	*	*	*	*	1	HOOK SADDLE OIL RESERVOIR RING
47	267314	*	*	*	*	*	*	1	HOOK SADDLE OIL RESERVOIR PLUG
48	554824	*	*	*	*	*	*	1	HOOK AND BOBBIN CASE COMP.
48	554825	*	*	*	*	*	*	1	HOOK AND BOBBIN CASE COMP.

NO.	PART NO.	141AA	141BA	141GA	541AA	541BA	541GA	Y	DESCRIPTION
49	554606	*	*	*	*	*	*	1	HOOK COMP.
49	554611	*	*	*	*	*	*	1	HOOK COMP.
50	554607	*	*	*	*	*	*	1	HOOK (BODY)
50	554612	*	*	*	*	*	*	1	HOOK (BODY)
51	281135	*	*	*	*	*	*	1	HOOK GIB
51	555120	*	*	*	*	*	*	1	HOOK GIB
52	201253	*	*	*	*	*	*	2	HOOK GIB SCREW
52	500520	*	*	*	*	*	*	3	HOOK GIB SCREW
53	281136	*	*	*	*	*	*	1	BOBBIN CASE COMP.
53	281146	*	*	*	*	*	*	1	BOBBIN CASE COMP.
56	236083	*	*	*	*	*	*	1	BOBBIN CASE TENSION SPRING
56	510011	*	*	*	*	*	*	1	BOBBIN CASE TENSION SPRING
57	201016	*	*	*	*	*	*	1	BOBBIN CASE TENSION SPRING REGULATING SCREW
57	500519	*	*	*	*	*	*	1	BOBBIN CASE TENSION SPRING REGULATING SCREW
58	200594	*	*	*	*	*	*	1	BOBBIN CASE TENSION SPRING SCREW
58	500518	*	*	*	*	*	*	1	BOBBIN CASE TENSION SPRING SCREW
59	281056	*	*	*	*	*	*	1	THREAD PULLER SUPPORT ADJUSTING BLOCK (UPPER)
60	543376	*	*	*	*	*	*	1	THREAD PULLER SUPPORT ADJUSTING BLOCK (UPPER) ECCENTRIC PIN
61	544207-011	*	*	*	*	*	*	1	THREAD PULLER SUPPORT ADJUSTING BLOCK (UPPER) ECCENTRIC PIN SET SCREW
63	281055	*	*	*	*	*	*	1	THREAD PULLER SUPPORT TRAPPER ADJUSTING SCREW
64	374475	*	*	*	*	*	*	1	TRAPPER ADJUSTING SCREW NUT
65	541159	*	*	*	*	*	*	1	TRAPPER ADJUSTING SCREW NUT
66	374478	*	*	*	*	*	*	2	THREAD PULLER SUPPORT SCREW
67	281057	*	*	*	*	*	*	1	TRAPPER
68	544413	*	*	*	*	*	*	1	TRAPPER SET SCREW
69	408386	*	*	*	*	*	*	1	TRAPPER SET SCREW WASHER
70	548228	*	*	*	*	*	*	1	TRAPPER ADJUSTING WASHER (t=0.13M/M)
71	281059	*	*	*	*	*	*	1	STATIONARY KNIFE ADJUSTING BLOCK (UPPER)
72	281060	*	*	*	*	*	*	1	STATIONARY KNIFE ADJUSTING BLOCK (UPPER) ECCENTRIC PIN
73	544207-011	*	*	*	*	*	*	1	STATIONARY KNIFE ADJUSTING BLOCK (UPPER) ECCENTRIC PIN SET SCREW
74	281058	*	*	*	*	*	*	1	STATIONARY KNIFE
75	374476	*	*	*	*	*	*	2	STATIONARY KNIFE SET SCREW
76	281050-001	*	*	*	*	*	*	1	THREAD PULLER
77	374583-002	*	*	*	*	*	*	2	THREAD PULLER SCREW
78	281051	*	*	*	*	*	*	1	THREAD PULLER RETAINER BRACKET COMP.
78	282803	*	*	*	*	*	*	1	THREAD PULLER RETAINER BRACKET COMP.
79	281064	*	*	*	*	*	*	1	THREAD PULLER RETAINER BRACKET SHAFT COLLAR COMP.
80	544207-011	*	*	*	*	*	*	2	THREAD PULLER RETAINER BRACKET SHAFT COLLAR SET SCREW
81	552891	*	*	*	*	*	*	1	HOOK DRIVING PINION OIL FELT, OIL FELT BRACKET COMP.
82	552892	*	*	*	*	*	*	1	HOOK DRIVING PINION OIL FELT, OIL PACKING (WICK) COMP.
85	552893	*	*	*	*	*	*	1	HOOK DRIVING PINION OIL FELT BRACKET
86	544211-002	*	*	*	*	*	*	1	HOOK DRIVING PINION OIL FELT BRACKET SCREW
87	282793	*	*	*	*	*	*	1	BOBBIN CASE OPENER
88	549027	*	*	*	*	*	*	1	BOBBIN CASE OPENER SCREW
89	282762	*	*	*	*	*	*	1	BOBBIN
89	282763	*	*	*	*	*	*	1	BOBBIN
89	282764	*	*	*	*	*	*	1	BOBBIN
90	412115	*	*	*	*	*	*	1	PINCH SLEEVE (UPPER)
91	267139	*	*	*	*	*	*	1	PINCH SLEEVE (LOWER)
92	544364	*	*	*	*	*	*	1	PINCH SLEEVE SCREW
93	414742	*	*	*	*	*	*	1	HOOK SADDLE (LEFT) SCREW
94	225585	*	*	*	*	*	*	1	HOOK SADDLE (LEFT) SCREW WASHER
95	417195	*	*	*	*	*	*	1	ANTI SPILL SPRING
95	417269	*	*	*	*	*	*	1	ANTI SPILL SPRING

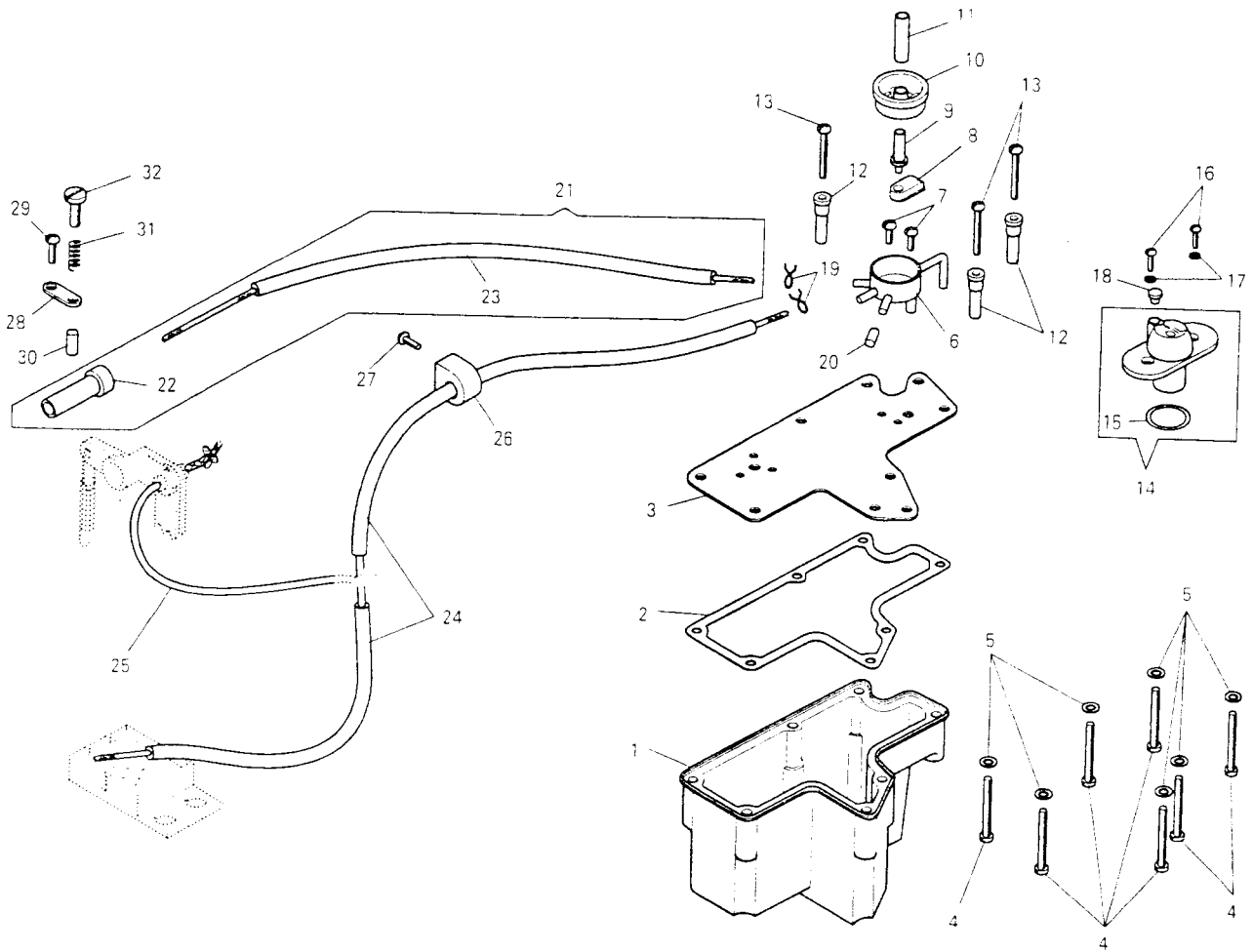
LUBRICATION (PLUNGER PUMP)



NO	PART NO.						Y-T-D	DESCRIPTION
		141AA	141BA	141GA	541AA	541BA		
1	555019	*	*	*	*	*	1	PLUNGER PUMP COMP.
2	555020	*	*	*	*	*	1	PLUNGER PUMP (BODY) COMP.
3	554339	*	*	*	*	*	2	OIL SEAL
4	555023	*	*	*	*	*	1	PLUNGER PUMP ROTOR
5	554353	*	*	*	*	*	1	PLUNGER PUMP ROTOR RETAINER
6	544211-002	*	*	*	*	*	2	PLUNGER PUMP ROTOR RETAINER SCREW
7	554352	*	*	*	*	*	1	PLUNGER PUMP ROTOR COLLAR
8	549293	*	*	*	*	*	2	PLUNGER PUMP ROTOR COLLAR SET SCREW
9	555024	*	*	*	*	*	2	PLUNGER PUMP PISTON
10	555025	*	*	*	*	*	2	PLUNGER PUMP PISTON SPRING
11	555026	*	*	*	*	*	2	PLUNGER PUMP PISTON SPRING RETAINER SCREW
12	552826	*	*	*	*	*	1	OIL TUBE (SUCTION)
13	552827	*	*	*	*	*	1	OIL TUBE (DISCHARGE)
14	552809	*	*	*	*	*	4	OIL TUBE CLIP
15	552833	*	*	*	*	*	1	OIL REMOVING TUBE (SUCTION) COMP.
16	552810	*	*	*	*	*	1	OIL REMOVING TUBE CLIP
17	554464	*	*	*	*	*	1	OIL REMOVING TUBE (DISCHARGE)
18	552810	*	*	*	*	*	2	OIL REMOVING TUBE (DISCHARGE) CLIP
19	374543	*	*	*	*	*	1	PLUNGER PUMP SUPPORT SCREW
20	552546-401	*	*	*	*	*	1	OIL GAUGE COMP.
21	552828	*	*	*	*	*	1	OIL TUBE (FOR OIL GAUGE)
22	552809	*	*	*	*	*	2	OIL TUBE (FOR OIL GAUGE) CLIP
23	545071	*	*	*	*	*	1	OIL GAUGE SCREW
24	554537	*	*	*	*	*	1	OIL TUBE RETAINER (FOR OIL GAUGE)
25	552829	*	*	*	*	*	1	OIL TUBE RETAINER (FOR DISCHARGE)
26	544217-052	*	*	*	*	*	1	OIL TUBE RETAINER SCREW
27	554305	*	*	*	*	*	1	OIL REMOVING LINT SCREEN
28	554433	*	*	*	*	*	1	OIL REMOVING LINT SCREEN BRACKET
29	544283	*	*	*	*	*	1	OIL REMOVING LINT SCREEN BRACKET SCREW

NO	PART NO.						Y-T-D	DESCRIPTION
		141AA	141BA	141GA	541AA	541BA		
30	554860	*	*	*	*	*	1	OIL REMOVING LINT SCREEN RETAINER
31	411584	*	*	*	*	*	1	OIL TUBE RETAINER

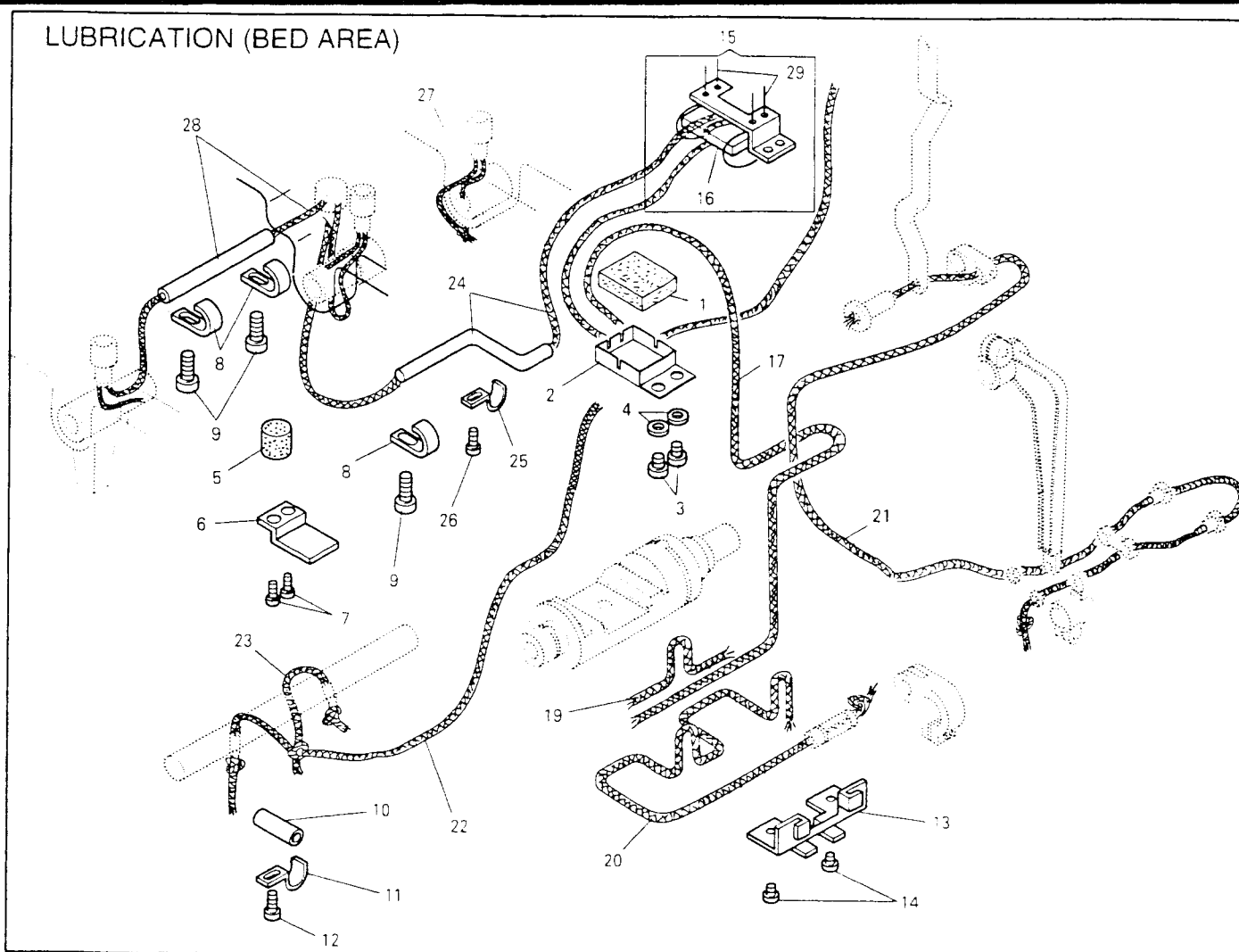
LUBRICATION (OIL RESERVOIR)



NO.	PART NO.					Y	T	Q	DESCRIPTION
		141AA	141BA	141GA	541AA				
1	555007	*	*	*	*	*	*	1	OIL TANK
2	555008	*	*	*	*	*	*	1	OIL TANK PACKING
3	555004	*	*	*	*	*	*	1	OIL TANK BRACKET COMP.
4	544212-057	*	*	*	*	*	*	7	OIL TANK SET SCREW
5	543804-003	*	*	*	*	*	*	7	OIL TANK SET SCREW WASHER
6	555009	*	*	*	*	*	*	1	OIL DISTRIBUTOR COMP.
7	544211-001	*	*	*	*	*	*	2	OIL DISTRIBUTOR SET SCREW
8	555011	*	*	*	*	*	*	1	OIL FLOW NOZZLE HOLDER
9	555012	*	*	*	*	*	*	1	OIL FLOW NOZZLE
10	555013	*	*	*	*	*	*	1	OIL FLOW WINDOW HOLDER
11	555014	*	*	*	*	*	*	1	OIL FLOW NOZZLE TUBE
12	555002	*	*	*	*	*	*	3	OIL TANK BRACKET SUPPORT BUSHING
13	544213-058	*	*	*	*	*	*	3	OIL TANK BRACKET SET SCREW
14	555015	*	*	*	*	*	*	1	OIL FLOW WINDOW COMP.
15	555017-001	*	*	*	*	*	*	1	OIL FLOW WINDOW O-RING
16	544212-053	*	*	*	*	*	*	2	OIL FLOW WINDOW SET SCREW
17	543804-003	*	*	*	*	*	*	2	OIL FLOW WINDOW SET SCREW WASHER
18	418400-452	*	*	*	*	*	*	1	OIL HOLE RUBBER PLUG
19	552809	*	*	*	*	*	*	2	OIL DISTRIBUTOR TUBE CLIP
20	554683	*	*	*	*	*	*	1	OIL DISTRIBUTOR PIPE PLUG
21	554314	*	*	*	*	*	*	1	TAKE-UP LEVER OIL TUBE, OIL FLOW ADJUSTING RUBBER SLEEVE COMP.
22	554313	*	*	*	*	*	*	1	TAKE-UP LEVER OIL FLOW ADJUSTING RUBBER SLEEVE
23	552830	*	*	*	*	*	*	1	TAKE-UP LEVER OIL TUBE AND WICK COMP.
24	552831	*	*	*	*	*	*	1	OIL TUBE (FOR BEDI) COMP.
25	554523	*	*	*	*	*	*	1	FEED REGULATOR SHAFT ARM STUD
26	554528	*	*	*	*	*	*	1	OIL WICK
27	545136-452	*	*	*	*	*	*	1	OIL FLOW ADJUSTING COLLAR
28	555082	*	*	*	*	*	*	1	OIL FLOW ADJUSTING COLLAR SCREW
29	544213-002	*	*	*	*	*	*	1	TAKE-UP LEVER OIL FLOW ADJUSTING BRACKET SCREW

NO.	PART NO.					Y	T	Q	DESCRIPTION
		141AA	141BA	141GA	541AA				
30	555083	*	*	*	*	*	*	1	TAKE-UP LEVER OIL FLOW ADJUSTING PIN
31	554863	*	*	*	*	*	*	1	TAKE-UP LEVER OIL FLOW ADJUSTING SCREW SPRING
32	544290	*	*	*	*	*	*	1	TAKE-UP LEVER OIL FLOW ADJUSTING SCREW

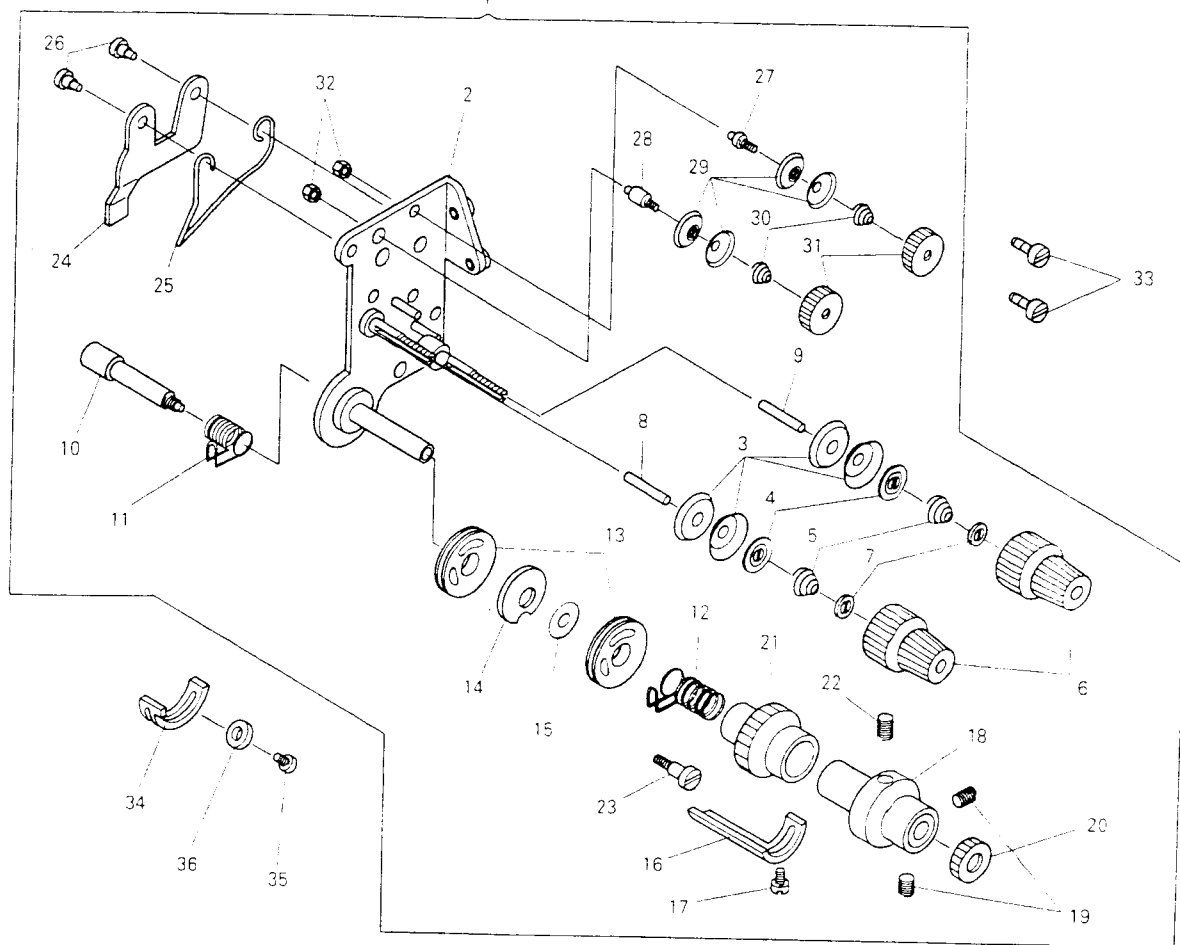
LUBRICATION (BED AREA)



NO.	PART NO	141AA	141BA	141GA	541AA	541BA	541GA	QTY	DESCRIPTION
1	552551	*	*	*	*	*	*	1	BED OIL FELT
2	552552	*	*	*	*	*	*	1	BED OIL FELT BARCKET
3	544212-052	*	*	*	*	*	*	2	BED OIL FELT BRACKET SCREW
4	543803-003	*	*	*	*	*	*	2	BED OIL FELT BRACKET SCREW WASHER
5	552553	*	*	*	*	*	*	1	HOOK DRIVING SHAFT OIL FELT
6	552554	*	*	*	*	*	*	1	HOOK DRIVING SHAFT OIL FELT BRACKET
7	544212-051	*	*	*	*	*	*	2	HOOK DRIVING SHAFT OIL FELT BRACKET SCREW
8	552555	*	*	*	*	*	*	3	HOOK DRIVING SHAFT OIL WICK TUBE RETAINER
9	544212-051	*	*	*	*	*	*	3	HOOK DRIVING SHAFT OIL WICK TUBE RETAINER SCREW
10	552556	*	*	*	*	*	*	1	FEED ROCK SHAFT OIL WICK TUBE
11	418604	*	*	*	*	*	*	1	FEED ROCK SHAFT OIL WICK TUBE RETAINER
12	544212-051	*	*	*	*	*	*	1	FEED ROCK SHAFT OIL WICK TUBE RETAINER SCREW
13	552557	*	*	*	*	*	*	1	FEED ROCK SHAFT DRIVING FRAME
14	544212-001	*	*	*	*	*	*	2	OIL WICK BRACKET
15	554440	*	*	*	*	*	*	1	FEED DRIVING ECCENTRIC CONNECTION FELT COMP.
16	554441	*	*	*	*	*	*	1	FEED DRIVING ECCENTRIC CONNECTION FELT
17	554465-006	*	*	*	*	*	*	1	FEED ROCK SHAFT DRIVING FRAME OIL WICK (LONG)
19	554524	*	*	*	*	*	*	1	FEED ROCK SHAFT DRIVING LINK OIL WICK
20	554465-007	*	*	*	*	*	*	1	FEED ROCK SHAFT CRANK PIN OIL WICK
21	554465-005	*	*	*	*	*	*	1	NEEDLE BAR ROCK FRAME ROCK SHAFT CRANK OIL WICK
22	554465-013	*	*	*	*	*	*	1	FEED ROCK SHAFT OIL WICK

NO	PART NO	141AA	141BA	141GA	541AA	541BA	541GA	QTY	DESCRIPTION
23	554465-012	*	*	*	*	*	*	1	FEED ROCK SHAFT OIL WICK (RIGHT)
24	554467	*	*	*	*	*	*	1	HOOK DRIVING SHAFT OIL TUBE AND WICK
25	418604	*	*	*	*	*	*	1	HOOK DRIVING SHAFT OIL TUBE
26	544212-051	*	*	*	*	*	*	1	HOOK DRIVING SHAFT OIL TUBE RETAINER (SMALL)
27	554465-010	*	*	*	*	*	*	1	HOOK DRIVING SHAFT OIL TUBE RETAINER (SMALL) SCREW
28	554468	*	*	*	*	*	*	1	HOOK DRIVING SHAFT BUSHING (CENTER) OIL WICK
29	554781	*	*	*	*	*	*	2	HOOK DRIVING SHAFT BUSHING (FRONT) OIL TUBE COMP. CONNECTION FELT CORD.

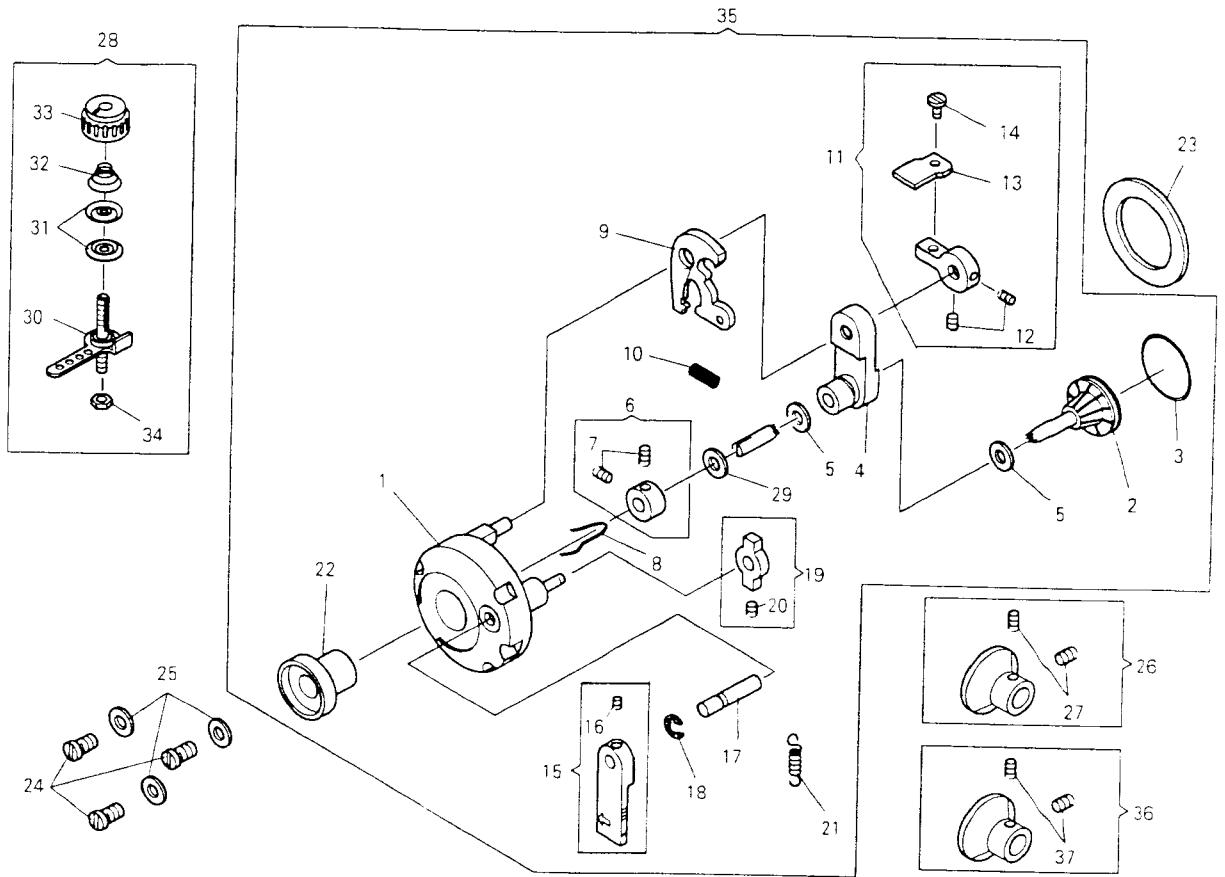
TENSION



NO.	PART NO.	141AA	141BA	141GA	541AA	541BA	541GA	T	Q	DESCRIPTION
1	552558	*	*	*	*	*	*	1		TENSION BRACKET COMP.
2	552559	*	*	*	*	*	*	1		TENSION BRACKET BODY COMP.
3	2102	*	*	*	*	*	*	4		TENSION DISC
4	414273	*	*	*	*	*	*	2		TENSION RELEASE WASHER
5	552836	*	*	*	*	*	*	2		TENSION SPRING
6	552838	*	*	*	*	*	*	2		TENSION REGULATING THUMB NUT
7	411154	*	*	*	*	*	*	2		TENSION REGULATING THUMB NUT WASHER
8	552563-001	*	*	*	*	*	*	1		TENSION RELEASE PLUNGER (SHORT)
9	552563-003	*	*	*	*	*	*	1		TENSION RELEASE PLUNGER (LONG)
10	552843	*	*	*	*	*	*	1		THREAD CONTROLLER STUD
11	412407	*	*	*	*	*	*	1		THREAD CONTROLLER SPRING (BACK)
12	552842	*	*	*	*	*	*	1		THREAD CONTROLLER SPRING (FRONT)
13	412202	*	*	*	*	*	*	2		THREAD CONTROLLER DISC
14	552900	*	*	*	*	*	*	1		THREAD CONTROLLER DISC WASHER (LARGE)
15	367380	*	*	*	*	*	*	1		THREAD CONTROLLER DISC WASHER (SMALL)
16	552839	*	*	*	*	*	*	1		THREAD CONTROLLER SPRING (FRONT) STOP
17	544211-001	*	*	*	*	*	*	1		THREAD CONTROLLER SPRING (FRONT) STOP SCREW
18	552840	*	*	*	*	*	*	1		THREAD CONTROLLER SPRING HOLDER SLEEVE
19	544202-002	*	*	*	*	*	*	2		THREAD CONTROLLER SPRING HOLDER SLEEVE SCREW
20	552841	*	*	*	*	*	*	1		THREAD CONTROLLER STUD NUT
21	552845	*	*	*	*	*	*	1		THREAD CONTROLLER SPRING HOLDER
22	544203-001	*	*	*	*	*	*	1		THREAD CONTROLLER SPRING HOLDER SCREW
23	414770	*	*	*	*	*	*	1		THREAD CONTROLLER DISC SCREW
24	417124	*	*	*	*	*	*	1		TENSION RELEASE PLATE
25	412230	*	*	*	*	*	*	1		TENSION RELEASE PLATE SPRING
26	544343	*	*	*	*	*	*	2		TENSION RELEASE PLATE SCREW

NO.	PART NO.	141AA	141BA	141GA	541AA	541BA	541GA	T	Q	DESCRIPTION
27	552567	*	*	*	*	*	*	1		PRE-TENSION STUD (SHORT)
28	552568	*	*	*	*	*	*	1		PRE-TENSION STUD (LONG)
29	417122	*	*	*	*	*	*	4		PRE-TENSION DISC
30	417123	*	*	*	*	*	*	2		PRE-TENSION SPRING
31	414784	*	*	*	*	*	*	2		PRE-TENSION THUMB NUT
32	414783	*	*	*	*	*	*	2		PRE-TENSION STUD LOCK NUT
33	549168	*	*	*	*	*	*	2		TENSION BRACKET SCREW
34	412419	*	*	*	*	*	*	1		THREAD CONTROLLER SPRING (BACK) STOP
35	545092	*	*	*	*	*	*	1		THREAD CONTROLLER SPRING (BACK) STOP SCREW
36	543805-003	*	*	*	*	*	*	1		THREAD CONTROLLER SPRING (BACK) STOP SCREW WASHER

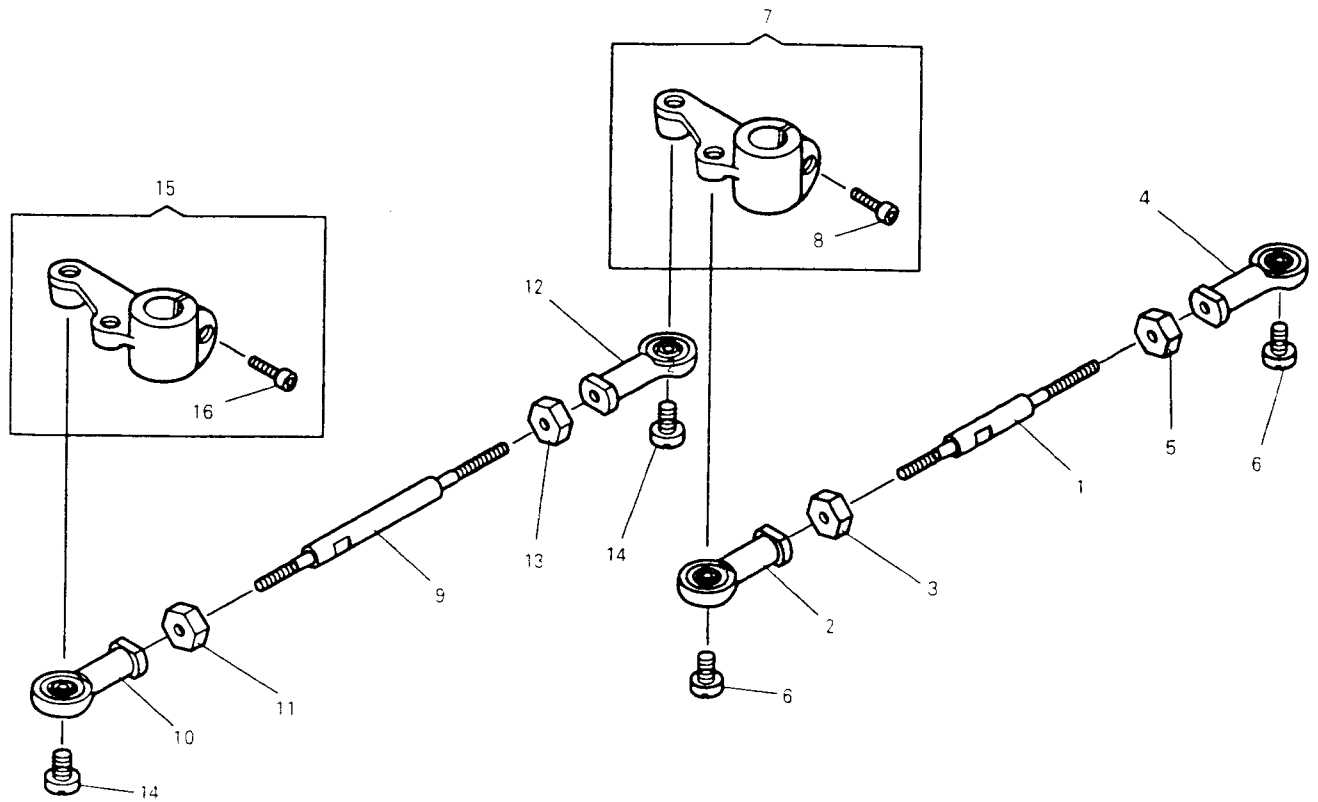
BOBBIN WINDER



NO.	PART NO.	141AA	141BA	141GA	541AA	541BA	541GA	T-D	DESCRIPTION
1	552570	*	*	*	*	*	*	2	BOBBIN WINDER (BODY)
2	552573	*	*	*	*	*	*	2	BOBBIN WINDER PULLEY
3	543871-020	*	*	*	*	*	*	2	BOBBIN WINDER PULLEY RING
4	552575	*	*	*	*	*	*	2	BOBBIN WINDER BRACKET
5	543815-004	*	*	*	*	*	*	4	BOBBIN WINDER SPINDLE THRUST WASHER
6	282758	*	*	*	*	*	*	2	BOBBIN WINDER SPINDLE STOP COLLAR COMPLETE
7	544206-011	*	*	*	*	*	*	4	BOBBIN WINDER SPINDLE STOP COLLAR SET SCREW
8	282995	*	*	*	*	*	*	2	BOBBIN WINDER SPINDLE SPRING
9	282757	*	*	*	*	*	*	2	BOBBIN WINDER BRACKET ACTUATING PLATE
10	282994	*	*	*	*	*	*	2	BOBBIN WINDER BRACKET SPRING
11	552576	*	*	*	*	*	*	2	BOBBIN WINDER STOPPER BRACKET COMP.
12	544207-013	*	*	*	*	*	*	4	BOBBIN WINDER STOPPER BRACKET SCREW
13	552577	*	*	*	*	*	*	2	BOBBIN WINDER STOPPER
14	374398-002	*	*	*	*	*	*	2	BOBBIN WINDER STOPPER SCREW
15	552578	*	*	*	*	*	*	2	BOBBIN WINDER STOP LATCH COMPLETE
16	544208-005	*	*	*	*	*	*	2	BOBBIN WINDER STOP LATCH SET SCREW
17	368025	*	*	*	*	*	*	2	BOBBIN WINDER STOP LATCH STUD
18	543860-005	*	*	*	*	*	*	2	BOBBIN WINDER STOP LATCH STUD SNAP RING
19	368026	*	*	*	*	*	*	2	BOBBIN WINDER REGULATOR COMPLETE
20	544208-005	*	*	*	*	*	*	2	BOBBIN WINDER REGULATOR SET SCREW
21	544865	*	*	*	*	*	*	2	BOBBIN WINDER SPRING
22	282759-451	*	*	*	*	*	*	2	BOBBIN WINDER SPINDLE THREAD GUARD
23	554312	*	*	*	*	*	*	2	BOBBIN WINDER PACKING
24	544217-001	*	*	*	*	*	*	6	BOBBIN WINDER SCREW
25	543803-003	*	*	*	*	*	*	6	BOBBIN WINDER SCREW WASHER

NO.	PART NO.	141AA	141BA	141GA	541AA	541BA	541GA	T-D	DESCRIPTION
26	554409	*	*	*	*	*	*	1	BOBBIN WINDER DRIVING WHEEL (RIGHT) COMPLETE
27	544207-012	*	*	*	*	*	*	2	BOBBIN WINDER DRIVING WHEEL (RIGHT) SET SCREW
28	552579	*	*	*	*	*	*	2	BOBBIN WINDER TENSION COMPLETE
29	543804-005	*	*	*	*	*	*	2	BOBBIN WINDER BRACKET THRUST WASHER
30	552580	*	*	*	*	*	*	2	BOBBIN WINDER TENSION STUD COMP.
31	547247	*	*	*	*	*	*	4	BOBBIN WINDER TENSION DISC
32	547246	*	*	*	*	*	*	2	BOBBIN WINDER TENSION SPRING
33	368033	*	*	*	*	*	*	2	BOBBIN WINDER TENSION REGULATING THUMB NUT
34	541186	*	*	*	*	*	*	2	BOBBIN WINDER TENSION STUD LOCK NUT
35	554669-385	*	*	*	*	*	*	2	BOBBIN WINDER COMP.
35	552569	*	*	*	*	*	*	2	BOBBIN WINDER COMP.
36	554853	*	*	*	*	*	*	1	BOBBIN WINDER DRIVING WHEEL (LEFT) COMPLETE
37	544207-012	*	*	*	*	*	*	2	BOBBIN WINDER DRIVING WHEEL (LEFT) SET SCREW

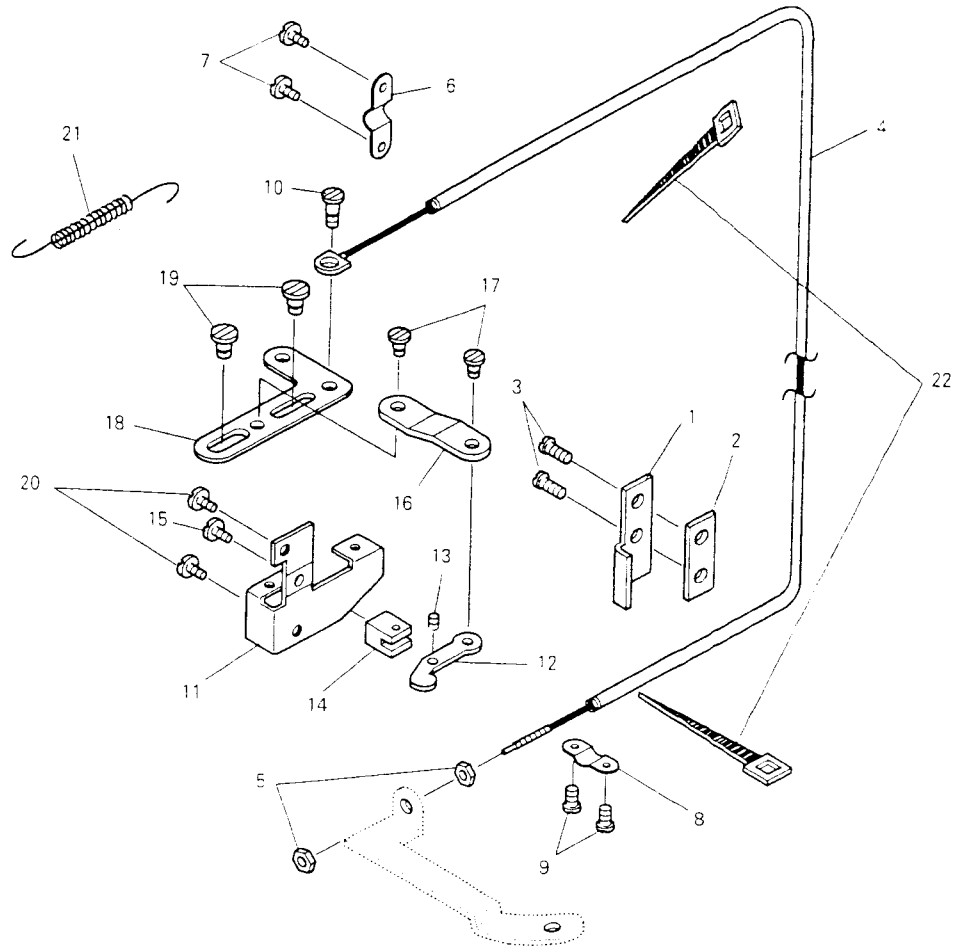
THREAD TRIMMER 2



NO.	PART NO.					Y	Q	DESCRIPTION
		141AA	141BA	141GA	541AA			
1	554654-001	-	*	*	*	*	1	TRIMMER ROD FOR DRIVING ARM (RIGHT)
2	416781-101	-	*	*	-	*	1	TRIMMER ROD END (LEFT)
3	414774	-	*	*	-	*	1	TRIMMER ROD END (LEFT) NUT
4	416781-001	-	*	*	-	*	1	TRIMMER ROD END (RIGHT)
5	541166-001	-	*	*	-	*	1	TRIMMER ROD END (RIGHT) NUT
6	414775	-	*	*	-	*	2	TRIMMER ROD END SCREW
7	281074	-	*	*	-	*	1	THREAD PULLER DRIVING ARM (RIGHT) COMPLETE
8	374107-004	-	*	*	-	*	1	THREAD PULLER DRIVING ARM (RIGHT) SCREW
9	416783-007	-	*	*	-	*	1	TRIMMER ROD FOR DRIVING ARM (LEFT)
10	416781-101	-	*	*	-	*	1	TRIMMER ROD END (LEFT)
11	414774	-	*	*	-	*	1	TRIMMER ROD END (LEFT) NUT
12	416781-001	-	*	*	-	*	1	TRIMMER ROD END (RIGHT)
13	541166-001	-	*	*	-	*	1	TRIMMER ROD END (RIGHT) NUT
14	414775	-	*	*	-	*	2	TRIMMER ROD END SCREW
15	281074	-	*	*	-	*	1	THREAD PULLER DRIVING ARM (LEFT) COMPLETE
16	374107-004	-	*	*	-	*	1	THREAD PULLER DRIVING ARM (LEFT) SCREW

NO.	PART NO.					Y	Q	DESCRIPTION
		141AA	141BA	141GA	541AA			

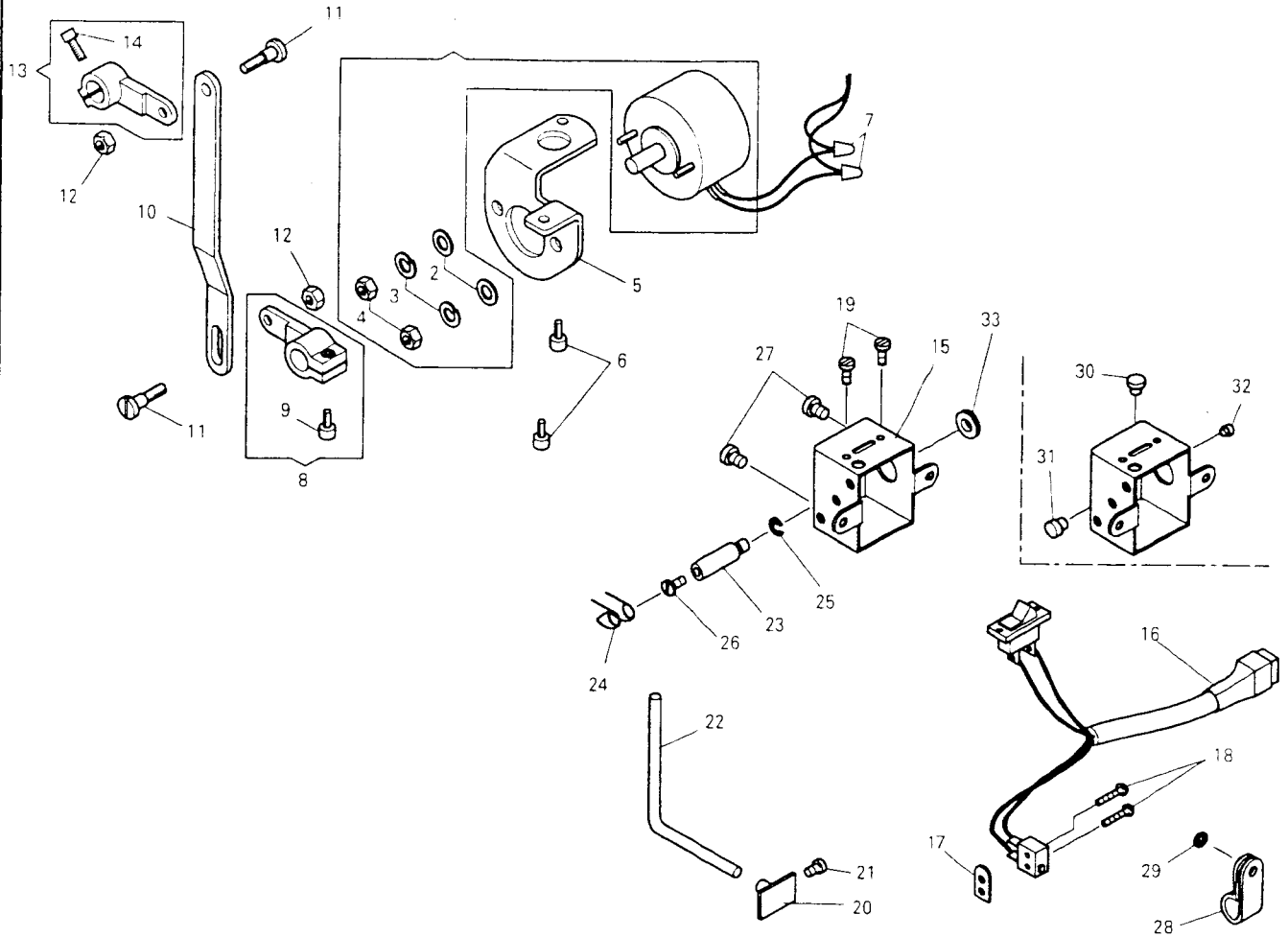
TENSION RELEASING



NO.	PART NO.	141AA	141BA	141GA	541AA	541BA	541GA	QTY	DESCRIPTION
1	552593	-	*	*	-	*	*	1	TENSION RELEASE DRIVING LEVER STOPPER
2	552594	-	*	*	-	*	*	1	TENSION RELEASE DRIVING LEVER STOPPER RETAINING PLATE
3	414780	-	*	*	-	*	*	2	TENSION RELEASE DRIVING LEVER STOPPER SCREW
4	552595	-	*	*	-	*	*	1	TENSION RELEASE WIRE GUIDE, TUBE COMPLETE
5	541166-003	-	*	*	-	*	*	2	TENSION RELEASE WIRE STAKING PIPE LOCK NUT
6	543327	-	*	*	-	*	*	1	TENSION RELEASE WIRE GUIDE TUBE CLAMPING PLATE (UPPER)
7	504010-452	-	*	*	-	*	*	2	TENSION RELEASE WIRE GUIDE TUBE CLAMPING PLATE (UPPER) SCREW
8	543327	-	*	*	-	*	*	1	TENSION RELEASE WIRE GUIDE TUBE CLAMPING PLATE (LOWER)
9	504010-452	-	*	*	-	*	*	2	TENSION RELEASE WIRE GUIDE TUBE CLAMPING PLATE (LOWER) SCREW
10	544144	-	*	*	-	*	*	1	TENSION RELEASE WIRE SHEAVE SCREW
11	552601	-	*	*	-	*	*	1	TENSION RELEASE LEVER BRACKET
12	552602	-	*	*	-	*	*	1	TENSION RELEASE LEVER
13	552603	-	*	*	-	*	*	1	TENSION RELEASE LEVER PIN
14	552604	-	*	*	-	*	*	1	TENSION RELEASE LEVER BLOCK
15	544256	-	*	*	-	*	*	1	TENSION RELEASE LEVER BLOCK SCREW
16	552605	-	*	*	-	*	*	1	TENSION RELEASE LEVER LINK
17	368247	-	*	*	-	*	*	2	TENSION RELEASE LEVER LINK HINGE SCREW
18	552606	-	*	*	-	*	*	1	TENSION RELEASE ACTUATING SLIDE PLATE
19	368247	-	*	*	-	*	*	2	TENSION RELEASE ACTUATING SLIDE PLATE HINGE SCREW
20	544213-052	-	*	*	-	*	*	2	TENSION RELEASE LEVER BRACKET SCREW
21	281593	-	*	*	-	*	*	1	TENSION RELEASE ACTUATING SLIDE PLATE SPRING

NO.	PART NO.	141AA	141BA	141GA	541AA	541BA	541GA	QTY	DESCRIPTION
22	540899	-	*	*	-	*	*	2	TENSION RELEASE WIRE GUIDE TUBE RETAINER

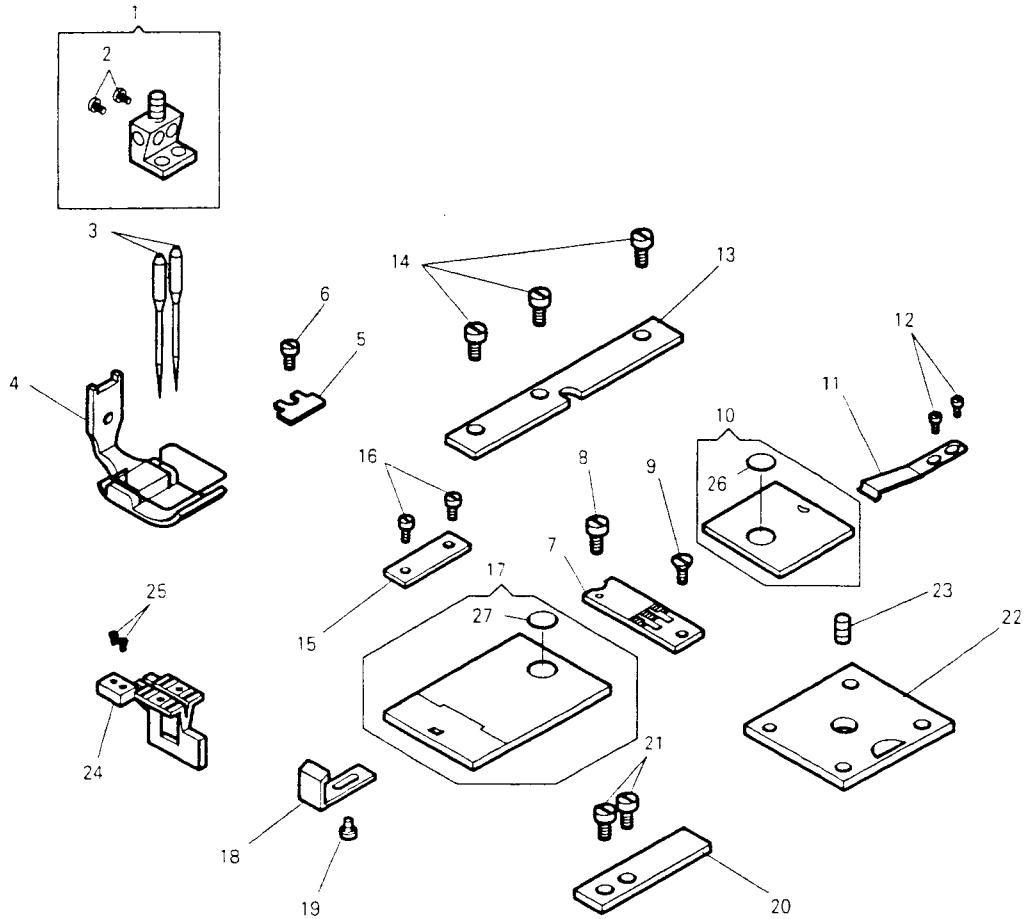
BACK TACK MECHANISM / BACK TACK SWITCH



NO.	PART NO.	141AA	141BA	141GA	541AA	541BA	541GA	QTY	DESCRIPTION
1	369335	-	-	*	-	-	*	1	BACK TACK SOLENOID COMPLETE
2	543804-005	-	-	*	-	-	*	2	BACK TACK SOLENOID WASHER
3	543805-005	-	-	*	-	-	*	2	BACK TACK SOLENOID SPRING WASHER
4	541167-003	-	-	*	-	-	*	2	BACK TACK SOLENOID NUT
5	552609	-	-	*	-	-	*	1	BACK TACK SOLENOID BRACKET
6	374108-010	-	-	*	-	-	*	2	BACK TACK SOLENOID BRACKET SCREW
7	417142-001	-	-	*	-	-	*	2	BACK TACK SOLENOID WIRE CONNECTOR
8	554980	-	-	*	-	-	*	1	BACK TACK SOLENOID ARM COMPLETE
9	414750-002	-	-	*	-	-	*	1	BACK TACK SOLENOID ARM PINCH SCREW
10	552612	-	-	*	-	-	*	1	BACK TACK SOLENOID LINK
11	374546	-	-	*	-	-	*	2	BACK TACK SOLENOID LINK HINGE SCREW
12	545422	-	-	*	-	-	*	2	BACK TACK SOLENOID LINK HINGE SCREW NUT
13	552613	-	-	*	-	-	*	1	FEED REVERSE LEVER SHAFT ACTUATING ARM COMPLETE
14	374107-004	-	-	*	-	-	*	1	FEED REVERSE LEVER SHAFT ACTUATING ARM PINCH SCREW
15	552616	-	*	*	-	-	*	1	WIPER, BACK TACK SWITCH BOX
16	419009	-	*	*	-	-	*	1	WIPER, BACK TACK SWITCH CORD, CONNECTOR COMP.
17	368467	-	*	*	-	-	*	1	BACK TACK SWITCH PLATE
18	544211-056	-	*	*	-	-	*	2	BACK TACK SWITCH PLATE SCREW
19	544211-001	-	*	*	-	-	*	2	WIPER SWITCH SCREW
20	376146	-	*	*	-	-	*	1	BACK TACK SWITCH LEVER BUTTON
21	374110-002	-	*	*	-	-	*	1	BACK TACK SWITCH LEVER BUTTON SCREW
22	552618	-	*	*	-	-	*	1	BACK TACK SWITCH LEVER
23	375733	-	*	*	-	-	*	1	BACK TACK SWITCH LEVER SHAFT
24	375732	-	*	*	-	-	*	1	BACK TACK SWITCH LEVER SPRING
25	543801-015	-	*	*	-	-	*	1	BACK TACK SWITCH LEVER SHAFT SNAP RING

NO.	PART NO.	141AA	141BA	141GA	541AA	541BA	541GA	QTY	DESCRIPTION
25	545246-452	-	-	*	-	-	*	1	BACK TACK SWITCH LEVER SCREW
27	544217-052	-	*	*	-	-	*	2	WIPER, BACK TACK SWITCH BOX SCREW
28	542766-005	-	*	*	-	-	*	1	WIPER, BACK TACK SWITCH CORD CLIP
29	543803-003	-	*	*	-	-	*	1	WIPER, BACK TACK SWITCH CORD CLIP SCREW WASHER
30	418400-452	-	*	-	-	*	-	1	WIPER SWITCH BOX RUBBER PLUG (MIDDLE)
31	375014-452	-	*	-	-	*	-	1	WIPER SWITCH BOX RUBBER PLUG (LARGE)
32	418400-452	-	*	-	-	*	-	1	WIPER SWITCH BOX RUBBER PLUG (SMALL)
33	554884	-	*	*	-	*	*	1	WIPER, BACK TACK SWITCH BOX GROMMETS

GAUGE PARTS



NO.	PART NO.	141AA	141BA	141GA	541AA	541BA	541GA	Y-T-O	DESCRIPTION
1	412040-006	*	*	*	*	*	*	1	NEEDLE HOLDER COMP. (1/8", 3.2mm)
1	412040-012	*	*	*	*	*	*	1	NEEDLE HOLDER COMP. (3/16", 4.8mm) (STANDARD)
1	412040-016	*	*	*	*	*	*	1	NEEDLE HOLDER COMP. (1/4", 6.4mm) (STANDARD)
1	412040-020	*	*	*	*	*	*	1	NEEDLE HOLDER COMP. (5/16", 7.9mm)
1	412040-024	*	*	*	*	*	*	1	NEEDLE HOLDER COMP. (3/8", 9.5mm)
1	412040-100	*	*	*	*	*	*	1	NEEDLE HOLDER COMP. (1", 25.4mm)
2	374456	*	*	*	*	*	*	2	NEEDLE SET SCREW
3	N19550-114	*	*	*	*	*	*	2	NEEDLE (CAT. NO. 1955-01 #14)
3	N19550-121	*	*	*	*	*	*	2	NEEDLE (CAT. NO. 1955-01 #21)
4	554670-008	*	*	*	*	*	*	1	PRESSER FOOT COMP. (1/8", 3.2mm)
4	554670-012	*	*	*	*	*	*	1	PRESSER FOOT COMP. (3/16", 4.8mm) (STANDARD)
4	554670-016	*	*	*	*	*	*	1	PRESSER FOOT COMP. (1/4", 6.4mm) (STANDARD)
4	554670-020	*	*	*	*	*	*	1	PRESSER FOOT COMP. (5/16", 7.9mm)
4	554670-024	*	*	*	*	*	*	1	PRESSER FOOT COMP. (3/8", 9.5mm)
4	554670-100	*	*	*	*	*	*	1	PRESSER FOOT COMP. (1", 25.4mm)
5	416604	*	*	*	*	*	*	1	THREAD GAURD (1/8", 3/16", 1/4", 5/16", 3/8", 1")
6	544450	*	*	*	*	*	*	1	THREAD GUARD SCREW
7	412039-008	*	*	*	*	*	*	1	THROAT PLATE (1/8", 3.2mm)
7	412039-012	*	*	*	*	*	*	1	THROAT PLATE (3/16", 4.8mm) (STANDARD)
7	412039-016	*	*	*	*	*	*	1	THROAT PLATE (1/4", 6.4mm) (STANDARD)
7	412039-020	*	*	*	*	*	*	1	THROAT PLATE (5/16", 7.9mm)
7	412039-024	*	*	*	*	*	*	1	THROAT PLATE (3/8", 9.5mm)
7	412039-100	*	*	*	*	*	*	1	THROAT PLATE (1", 25.4mm)
7	281068-008	*	*	*	*	*	*	1	THROAT PLATE (1/8", 3.2mm)
7	281068-012	*	*	*	*	*	*	1	THROAT PLATE (3/16", 4.8mm) (STANDARD)
7	281068-016	*	*	*	*	*	*	1	THROAT PLATE (1/4", 6.4mm) (STANDARD)
7	281068-020	*	*	*	*	*	*	1	THROAT PLATE (5/16", 7.9mm)
7	281068-024	*	*	*	*	*	*	1	THROAT PLATE (3/8", 9.5mm)
7	281068-100	*	*	*	*	*	*	1	THROAT PLATE (1", 25.4mm)

NO.	PART NO.	141AA	141BA	141GA	541AA	541BA	541GA	Y-T-O	DESCRIPTION
8	544382-452	*	*	*	*	*	*	1	THROAT PLATE CLAMP SCREW
9	691-845	*	*	*	*	*	*	1	THROAT PLATE SCREW
10	552814	*	*	*	*	*	*	1	BED SLIDE (RIGHT) COMP (1/8", 3/16", 1/4", 5/16", 3/8")
10	552816	*	*	*	*	*	*	1	BED SLIDE (RIGHT) (1") COMP
11	552419	*	*	*	*	*	*	1	BED SLIDE (RIGHT) SPRING PLATE
12	544269	*	*	*	*	*	*	2	BED SLIDE (RIGHT) SPRING PLATE SCREW
13	554453	*	*	*	*	*	*	1	BED COVER PLATE (RIGHT)
14	545137	*	*	*	*	*	*	3	BED COVER PLATE (RIGHT) SCREW
15	554651	*	*	*	*	*	*	1	BED COVER PLATE
16	414659	*	*	*	*	*	*	2	BED COVER PLATE SCREW
17	554615	*	*	*	*	*	*	1	BED SLIDE (LEFT) COMP (1/8", 3/16", 1/4", 5/16", 3/8")
17	554990	*	*	*	*	*	*	1	BED SLIDE (LEFT) (1") COMP
18	554476	*	*	*	*	*	*	1	BED SLIDE (LEFT) SPRING PLATE
19	544217-052	*	*	*	*	*	*	1	BED SLIDE (LEFT) SPRING PLATE SCREW
20	281069	*	*	*	*	*	*	1	BED COVER PLATE (LEFT)
21	545137	*	*	*	*	*	*	2	BED COVER PLATE (LEFT) SCREW
22	416756-452	*	*	*	*	*	*	1	ATTACHMENT SLIDE PLATE
22	281072	*	*	*	*	*	*	1	ATTACHMENT SLIDE PLATE
23	544389	*	*	*	*	*	*	1	ATTACHMENT SLIDE PLATE LOCK SCREW
24	412266-008	*	*	*	*	*	*	1	FEED DOG (1/8", 3.2mm)
24	412253-012	*	*	*	*	*	*	1	FEED DOG (3/16", 4.8mm)(STANDARD)
24	412254-016	*	*	*	*	*	*	1	FEED DOG (1/4", 6.4mm)(STANDARD)
24	412254-020	*	*	*	*	*	*	1	FEED DOG (5/16", 7.9mm)
24	412254-024	*	*	*	*	*	*	1	FEED DOG (3/8", 9.5mm)
24	412255-100	*	*	*	*	*	*	1	FEED DOG (1", 25.4mm)
24	281191-008	*	*	*	*	*	*	1	FEED DOG (3/8", 9.5mm)(STANDARD)
24	281192-012	*	*	*	*	*	*	1	FEED DOG (3/16", 4.8mm)(STANDARD)
24	281193-016	*	*	*	*	*	*	1	FEED DOG (1/4", 6.4mm)(STANDARD)
24	281193-020	*	*	*	*	*	*	1	FEED DOG (5/16", 7.9mm)
24	281193-024	*	*	*	*	*	*	1	FEED DOG (3/8", 9.5mm)
24	281195-100	*	*	*	*	*	*	1	FEED DOG (1", 25.4mm)
25	544399	*	*	*	*	*	*	2	FEED DOG SCREW
26	552416	*	*	*	*	*	*	1	THROAT PLATE WINDOW
27	552416	*	*	*	*	*	*	1	THROAT PLATE WINDOW

Gauge Parts List (412U 141AA / BA / GA, 541AA / BA / GA)

Plain M/C	*	*	*	*	*	*	*	*	*	*	*	*	*	*	*	*	*	*
U.T.T. M/C	*	*	*	*	*	*	*	*	*	*	*	*	*	*	*	*	*	*
Gauges	Needle Bar with Screw	Lifting Presser Foot with Finger Guard	Throat Plate	Throat Plate	Feed Dog	Feed Dog	Bed Slide (left)	Bed Slide (left)	Bed Slide (left)	Bed Slide (left)	Bed Slide (left)	Bed Slide (left)	Bed Slide (left)	Bed Slide (right)	Bed Slide (right)	Bed Slide (right)	Bed Slide (right)	Stationary Knife
	Inch (mm)																	
008 (3.2)	412040-008	554670-008	412039-008	281068-008	412266-008	281191-008	554615	554615	554615	554615	554615	554615	554615	552814	552814	552814	552814	554601
012 (4.8)	412040-012	554670-012	412039-012	281068-012	412253-012	281192-012	554615	554615	554615	554615	554615	554615	554615	552814	552814	552814	552814	554601
014 (5.6)	412040-014	554670-014	412039-014	281068-014	412253-014	281192-014	554615	554615	554615	554615	554615	554615	554615	552814	552814	552814	552814	554601
016 (6.4)	412040-016	554670-016	412039-016	281068-016	412254-016	281193-016	554615	554615	554615	554615	554615	554615	554615	552814	552814	552814	552814	554601
020 (7.9)	412040-020	554670-020	412039-020	281068-020	412254-020	281193-020	554615	554615	554615	554615	554615	554615	554615	552814	552814	552814	552814	554601
024 (9.5)	412040-024	554670-024	412039-024	281068-024	412254-024	281193-024	554615	554615	554615	554615	554615	554615	554615	552814	552814	552814	552814	554601
032 (12.7)	412097-032	554670-032	412039-032	281068-032	412493-032	281194-032	554615	554615	554615	554615	554615	554615	554615	552814	552814	552814	552814	554601
040 (15.9)	412097-040	554670-040	412039-040	281068-040	412493-040	281194-040	554615	554615	554615	554615	554615	554615	554615	552814	552814	552814	552814	554601
048 (19.1)	412097-048	554670-048	412039-048	281068-048	412493-048	281194-048	554615	554615	554615	554615	554615	554615	554615	552814	552814	552814	552814	554601
056 (22.2)	412132-056	554670-056	412039-056	281068-056	412493-056	281194-056	554615	554615	554615	554615	554615	554615	554615	552814	552814	552814	552814	554601
1" (25.4)	412132-100	554670-100	412039-100	281068-100	412255-100	281195-100	554990	554990	554990	554990	554990	554990	554990	552815	552815	552815	552815	554601
1 1/8" (28.6)	412132-108	554670-108	412039-108	281068-108	412255-108	281195-108	554990	554990	554990	554990	554990	554990	554990	552815	552815	552815	552815	554601
1 1/4" (31.8)	412132-116	554670-116	412039-116	281068-116	412255-116	281195-116	554990	554990	554990	554990	554990	554990	554990	552816	552816	552816	552816	554601
1 1/2" (38.1)	412132-132	554670-132	412039-132	281068-132	412255-132	281195-132	554990	554990	554990	554990	554990	554990	554990	552816	552816	552816	552816	554601

☆ Standard Gauges

◇ Not hinged type

