

**SINGER**  
44-32 thru 37

# Price List of Parts

## NUMBERS

**44-32**

**44-33**

**44-34**

**44-35**

**44-36**

**44-37**

## MACHINES.



The Singer Manufacturing Company.

# LIST OF PARTS

## Nos. 44-32 to 44-37

### MACHINES.

## INDEX.

	page
No. 44-32 Machine.....	4
“ 44-33 “ .....	11
“ 44-34 “ .....	19
“ 44-35 “ .....	27
“ 44-36 “ .....	35
“ 44-37 “ .....	41
Attachments and Accessories.....	43
Bobbin Winder.....	46
Driving Attachment .....	47
Foot Lifter.....	49
Iron Base, Parts of.....	41
Knee Lifter.....	50
Numerical List.....	55
Obsolete Parts.....	53
Thread Unwinder.....	51
Under Driver.....	51

In ordering from this list, use **ONLY** the **PART** number in the first column.

The number stamped on Sewing Machine parts is in every case the number of the single part only.

Every combination of parts sent out as such, has its specific number, which, although not stamped on the parts, must be used when ordering the combination.

Each number always indicates the **SAME PART** in whatever list it appears, or for whatever machine.

The letters after some of the numbers indicate the style of finish only, as follows :

- A. Hardened, Polished and Plated.
- B. Polished and Plated.
- C. Hardened only.
- D. Polished “
- E. Soft, not Polished.

These letters **MUST BE USED** when they appear in the list, and **AFTER** the number, as in the list.

In this series

1 to 1500 are Screw Numbers.

1501 “ 1800 “ Nut “

1801 “ 2000 “ Roller “

2001 and upwards are numbers of Machine Parts.

The figures in the second column refer only to the plates, illustrating the parts, and are **NOT TO BE USED** in ordering.

Parts marked with an asterisk (\*) are furnished only when repairs are made at factory.

When ordering parts which differ as to **GAUGE** (the distance between seams) the **GAUGE** as well as the **NUMBER MUST BE GIVEN** on orders.



No.	Plate	Name	Each
19230	1228	Guide	15
219	790	" Screw	02
7071	1220	" Washer	01
18014	1203	Needle Bar (hollow)	60
12382	1144	" Connecting Link with 791e	50
791e	1144	" " " Adjusting Scr.	03
12383	-	" " " Stud	40
1904	1144	" " " Roller (roller only)	12
453c	783	Needle Bar Connecting Stud Set Screw	02
12384	1144	" " " 12383 with 453c and 1904	50
12385	1203	Needle Bar Crank with 855c and 858c	80
858c	783	" " " Set Screw	03
855c	783	" " " Timing Screw	10
696e	782	" " Plug Screw	03
12495	1220	" " " Rivet (per 100)	05
936b	1221	" " Screw Bushing	66
19124	1218	" Clamp with two 460, for $\frac{1}{16}$ -in. to $\frac{3}{16}$ -in. gauge	1 25
19308	1218	Needle Clamp with 209 and 460, for $\frac{1}{16}$ -in. gauge and above	1 25
2273	1219	Needle Clamp Pin	01
NOTE: When ordering No. 19124 or 19308 give gauge required.			
460	783	Needle Set Screw for 19124 and 19308	02
209	1221	" " (right) for 19308	02
24020	1206	Oil Cup	20
24021	1206	" " Extension	05
12486	"	" " Packing (felt)	02
24022	1206	" " complete, Nos. 12486, 24020 & 24021	25
213	1221	" " Screw	03
19386	1203	Oscillating Rock Shaft	1 00
19387	"	" " 19386 with 4781 and 12388	1 50
12388	1203	Oscillating Rock Shaft Hinge Pin	50
878b	783	" " " Oil Hole Stop Screw	06
12459	1220	Oscillating Rock Shaft Hinge Pin Oil Hole Stop Screw Washer (leather) (per 100)	50
448c	783	Oscillating Rock Shaft Hinge Pin Set Screw	03
4781	1101	" " " Oil Pad	01
19127	1200	" " Shaft	25
19496	"	" " Crank	25
19388	1208	" " " 19496 with 460c, 1518E and 19390	80
2049	1220	Oscillating Shaft Crank Pin	01
460c	783	" " " Set Screw	02
19389	1208	" " " Slide Block	35
229b	782	" " " Cap Scr.	02
12124	1208	" " " Washer	02

No.	Plate	Name	Each
969c	1208	Oscillating Shaft Crank Slide Block Scr. Stud	15
1518E	783	" " " " " " "	04
		Nut	04
19390	1208	Oscillating Shaft Crank Slide Block 19389 with 229b, 969c and 12124	50
12391	1203	Presser Bar (hollow)	80
12326	1145	" " Guide Bracket with 453c	25
453c	783	" " " " Set Screw	02
2062	1145	" " Lifter	25
689b	782	" " " Hinge Screw	08
1520c	783	" " " " Nut	03
12327	1145	" " Lifting and Releasing Lever Bracket	50
860E	782	Presser Bar Plug Screw	03
11167	1203	" " Spring (spiral light (.051 wire))	05
12139	1203	" " " " " medium (.055 " " )	05
20023	1203	" " " " " heavy (.063 " " )	05
11170	1220	" " Washer	01
19333	1223	" Foot for inside stays	1 50
19186	1223	" " (long toe) for inside stays	1 50
20051	1223	" " with keel, slotted for tape, for staying	1 75
19476	1227	Presser Foot for 19478	2 50
19477	1227	" " Bracket with 465c	1 60
465c	1227	" " " Set Screw	01
4460	1227	" " Guide with 735c	75
735c	1227	" " " Set Screw	02
4461	1227	" " Spring	02
4462	1227	" " " Screw Bushing	15
1607b	1227	" " Stop Nut	03
19478	1227	" " complete (spring presser) Nos. 1607b, 4460 to 4462, 19476 and 19477	5 00
190b	782	Presser Foot Screw	03
NOTE: When ordering Presser Feet or parts of Presser Feet give gauge required.			
688E	783	Pressure Regulating Thumb Screw	25
1839	1210	Roller, $1\frac{1}{2}$ -in. diam., with 386b and 1548b, for 19211 and 19212	40
1875	1210	Roller, $1\frac{1}{2}$ -in. diam., with 634b and 1548b, for 19213 and 19214	60
19196	---	Roller Arm for 19211	20
19197	---	" " " 19212	20
19198	---	" " " 19213	20
19199	---	" " " 19214	20
440	1221	" " Adjusting Screw	03
1547b	1146	" " " " Nut	03
19200	---	" " Bracket for 19212 and 19214	30
17567	---	" " " " 19211	30
4777	---	" " " " 19213	35
316	1221	" " " " Screw Centre	03
1547b	1146	" " " " " Nut	03

No.	Plate	Name	Each
7556	1210	Roller Arm Lock Spring.....	05
176	1221	" " " " Screw.....	03
1549D	1222	" " " " Nut.....	03
19201	1210	" Needle Guard (flat) $\frac{3}{32}$ -in. to $\frac{1}{16}$ -in. gauge, for 19211.....	40
19204	1210	Roller Needle Guard (flat) $\frac{3}{32}$ -in. to $\frac{1}{16}$ -in. gauge, for 19213.....	40
207	1219	Roller Needle Guard (flat) Screw.....	02
19207	1210	" " " (round) $\frac{1}{32}$ -in. to $\frac{1}{16}$ -in. gauge, for 19211.....	45
19208	1210	Roller Needle Guard (round) $\frac{3}{32}$ in. to $\frac{1}{8}$ -in. gauge, for 19212 and 19214.....	45
19209	1210	Roller Needle Guard (round) $\frac{1}{32}$ -in. to $\frac{1}{16}$ -in. gauge, for 19213.....	45
171	1221	Roller Needle Guard (round) Set Screw.....	03
19211	1209	" Presser complete, $1\frac{1}{4}$ -in. roller, Nos. 171, 176, 207, 440, 1549D, 1839, 7556, 17567, 19196, 19201, 19207, two 316 and three 1547D, for $\frac{3}{32}$ -in. to $\frac{1}{4}$ -in. gauge.....	2 05
19212	1209	Roller Presser complete, $1\frac{1}{4}$ -in. roller, Nos. 171, 176, 440, 1549D, 1839, 7556, 19197, 19200, 19208, two 316 and three 1547D, for $\frac{3}{32}$ -in. to $\frac{1}{8}$ -in. gauge.....	4 65
19213	1209	Roller Presser complete, $1\frac{1}{2}$ -in. roller, Nos. 171, 176, 207, 440, 1549D, 1875, 4777, 7556, 19198, 19201, 19209, two 316 and three 1547D, for $\frac{3}{32}$ -in. to $\frac{1}{16}$ -in. gauge.....	2 25
19214	1209	Roller Presser complete, $1\frac{1}{2}$ -in. roller, Nos. 171, 176, 440, 1549D, 1875, 7556, 19199, 19200, 19208, two 316 and three 1547D, for $\frac{3}{32}$ -in. to $\frac{1}{8}$ -in. gauge.....	1 85
190D	782	Roller Presser Screw.....	03
386D	1101	" Screw for 1839.....	08
634D	1221	" " " 1875.....	08
1548D	1222	" " Nut.....	03

NOTE: When ordering Roller Pressers or parts of Roller Pressers give gauge required.

19131	1216	Shuttle (inside) Bobbin.....	05
19134	1216	" " " Case Latch and Position Finger.....	35
2521	1216	Shuttle (inside) Bobbin Case Latch and Position Finger Spring.....	02
592E	1216	Shuttle (inside) Bobbin Case Latch and Position Finger Stop Screw.....	02
19132	1216	Shuttle (inside) Bobbin Case complete, Nos. 591, 592E, 2521, 19134 and 19149.....	75
19136	1216	Shuttle (inside) Body for 19129.....	75
591	1216	" " Tension Regulating Screw.....	02
19149	1216	" " Spring for 19132.....	10
19129	1216	Shuttle (inside) $1\frac{1}{16}$ -in. diam., No. 19136 with 19131 and 19132.....	1 50

No.	Plate	Name	Each
19131	1216	Shuttle (outside) Bobbin.....	05
19135	1216	" " " Case Latch and Position Finger.....	35
2521	1216	Shuttle (outside) Bobbin Case Latch and Position Finger Spring.....	02
592E	1216	Shuttle (outside) Bobbin Case Latch and Position Finger Stop Screw.....	02
19170	1216	Shuttle (outside) Bobbin Case complete, Nos. 591, 592E, 2521, 19135 and 19172.....	75
19137	1216	Shuttle (outside) Body for 19130.....	75
19171	1217	" " " " 19169.....	75
591	1216	" " Tension Regulating Screw.....	02
19172	1216	" " Spring for 19170.....	10
19169	1217	" " $1\frac{1}{16}$ -in. diam., No. 19171 with 19131 and 19170, for gauges up to $\frac{1}{4}$ -in.....	1 50
19130	1216	Shuttle (outside) $1\frac{1}{16}$ -in. diam., No. 19137 with 19131 and 19170, for $\frac{7}{32}$ -in. gauge and above.....	1 50
19138	1208	Shuttle Driver.....	2 50
19139	1208	" " 19138 with two 453c.....	2 50

NOTE: When ordering 19139 give gauge required.

2019	1220	Shuttle Driver Pin.....	01
453c	783	" " Set Screw.....	02
19277		" Race Body.....	1 75
19278	1212	" " Loop Separator.....	1 50
934D	1221	" " " " Screw.....	02
19279	1212	" " Ring (inside).....	1 50
19280	1212	" " " (outside).....	1 50
2532	1220	" " Position Pin, per 100.....	10
2533	1215	" " Spring.....	15
907D	1221	" " " " Screw.....	05
19282	1212	" " complete, Nos. 19277 to 19280, two each 907D, 934D, 2533 and four 2532.....	6 00

NOTE: When ordering Shuttle Races or parts of Shuttle Races give gauge required.

145	782	Shuttle Race Screw.....	04
19145	1204	" " Slide (inside).....	30
19146	1204	" " " (outside) for $\frac{7}{16}$ -in. gauge and below.....	25
19147	1220	Shuttle Race Slide Friction Spring.....	03
651E	1221	" " " " Screw.....	01
19148	1204	" " " Guide with 651E & 19147.....	50
19185	1204	" " " " (front) with 651E and 19147 for 19230 and 26268.....	50
691	782	Shuttle Race Slide Guide Screw.....	04
2921	1146	Tension Disc.....	05
19191	1146	" Plate for upper tension with 19231.....	50
134D	1221	" " Screw.....	06
1560c	1146	" Regulating Thumb Nut.....	04

No.	Plate	Name	Each
19192	1146	Tension Releaser	15
12397	1145	Releasing Lever	20
12398	1145	" " Hinge Pin	01
12329	1145	" " Spring	02
19193	1146	" " (intermediate)	10
19231	1146	" " " "	"
2269	1146	Hinge Block	"
19194	1146	Tension Releasing Lever (intermediate) Hinge Pin	01
916	1146	Tension Screw Stud	03
1547d	1146	" " Nut	08
2923	1146	" Spring	03
12149	1218	" Thread Guard	05
19195	1146	" (upper) complete with Tension Release, Nos. 2269, 19191, 19193, 19194, two each 916, 1547d, 1560c, 2923, 19192 and four 2921	1 50
19154	1220	Thread Guard (lower) for 19110	25
12152	1220	" " Rivet per 100	10
19155	1220	" " (upper) for 19110	20
12152	1220	" " Rivet per 100	10
19159	1218	" Guide Body	30
19161	1218	" Cap	10
19160	1218	" Roller	10
905d	1218	" Screw	04
19162	---	" " complete (roller) Nos. 905d and 19159 to 19161	50
12404	1144	Thread Take-up Crank	80
3094	1144	" " Wedge	10
690E	1144	" " Screw	05
19156	1144	" " Lever	30
775E	1144	" " Cap Screw	06
12166	1144	" " Hinge Pin	05
12409	1144	" " Link	25
11204	1144	" " Hinge Pin	15
430c	1144	" " Set Screw	04
19157	1144	Thread Take-up Lever 19156 with 12166 and 12409	65
19158	1218	Thread Take-up Spring (music wire)	03
7336	1218	" " Regulator	25
448c	783	" " Set Scr.	03
19184	787	Throat Plate for 19183	1 50
19296	790	" " with Loop Separator (solid) for 19295	1 50
20081	798	Throat Plate for 20081	1 50
691	782	" " Screw	04
24079	---	NOTE: When ordering Throat Plates give gauge required. Drip Pan with four 1-in wire nails	25

## No. 44-33 MACHINE.

DROP FEED, TWO NEEDLES, TWO SHUTTLES, FOR LEATHER,  
WITH MECHANISM FOR STOPPING THE LEFT HAND NEEDLE.

No.	Plate	Name	Each
*19232	---	Arm	4 25
8582	1220	" Dowel Pin	02
12453	1220	" Oil Tube for intermediate bearing	06
12454	1220	" " " " oiling 12409	06
11119	1220	" " " " 19156	10
748E	782	" Screw (back)	08
868E	1221	" " (front)	10
16511	1200	" Shaft	1 90
*11104	---	" Bushing (front)	30
12357	1203	" Flanged Bushing (back)	25
448c	783	" " " " Set Screw	03
141d	782	" " Screw	12
12480	1205	" Side Cap	05
219	790	" " " Screw	02
12193	1202	" " Cover	10
286d	783	" " Thumb Screw	08
2415	1200	" Spool Bracket	25
159	1221	" " " Screw	03
12403	1220	" " " Spool Pin and Thread Eyelet	05
11241	1203	Arm Spool Bracket Washer (cloth) per 100	25
15063	1200	" " " 2415 with two 12403	35
12358	---	Balance Wheel, light rim, 2½-in. pulley, with two 448c	75
12359	1200	Balance Wheel, light rim, 3-in. pulley, with two 448c	75
448c	783	Balance Wheel Set Screw	03
*19108	---	Bed	4 50
12496	1201	Crank Connecting Rod	1 35
*14013	---	" " " Cap	"
896E	1221	" " " " Screw	04
908c	1221	" " " " Hinge	12
1619c	1222	" " " " Nut	05
19233	---	Face Plate	75
19234	1202	" " 19233 with 185, 9544, 9545, 12152, 19154, 19337 and two 9543	1 25
286b	783	Face Plate Thumb Screw	08
19111	1208	Feed Bar	75
313c	783	" " " " Screw Centre	04
1519E	783	" " " " Nut	03
12197	1203	" Cam and Feed Lifting Eccentric with 446c	50

## No. 44-33 Machine Parts.

No.	Plate	Name	Each
446c	783	Feed Cam & Feed Lifting Eccentric Set Ser.	03
3033	1145	" Connecting Link.....	20
375c	782	" " " Hinge Screw.....	12
1518E	783	" " " " Nut.....	04
19183	787	" Dog with 19118, for $\frac{1}{8}$ -in. to $\frac{3}{16}$ -in. gauge, for shoe staying.....	1 50
20070	796	Feed Dog with 19118, for $\frac{3}{32}$ -in. to $\frac{3}{16}$ -in. gauge, one long and one short row of teeth, for vamping.....	1 50
NOTE: When ordering Feed Dogs give gauge required.			
191c	1221	Feed Dog Screw.....	03
19116	1220	" " Spring.....	02
19117	1220	" " " Hook for 19120.....	01
19118	1220	" " " " " Feed Dogs.....	01
12123	1201	" Forked Connection.....	60
375c	782	" " " Hinge Screw.....	12
1518E	783	" " " " " Nut.....	04
16504	766	" Lifting Rock Shaft.....	45
19236		" " " " " 16504 with 16536 and 19120.....	1 65
19120	1208	Feed Lifting Rock Shaft Crank (front) with 157E, 19117, 19121 and 19122.....	1 00
157E	782	Feed Lifting Rock Shaft Crank (front) Clamping Screw.....	04
19121	1208	Feed Lifting Rock Shaft Crank (front) Roller.....	12
19122	1208	" " " " " " " Pin.....	03
16556	1208	" " " " " " (back) with 462c.....	20
2049	1220	Feed Lifting Rock Shaft Crank (back) Pin.....	01
462c	1221	" " " " " " " Set Ser.....	02
12430	1201	" " " " " " Connecting Rod.....	80
*12204		Feed Lifting Rock Shaft Crank Connecting Rod Cap.....	
145E	782	Feed Lifting Rock Shaft Crank Connecting Rod Cap Screw.....	04
375c	782	Feed Lifting Rock Shaft Crank Connecting Rod Hinge Screw.....	12
1518E	783	Feed Lifting Rock Shaft Crank Connecting Rod Hinge Screw Nut.....	04
307c	783	Feed Lifting Rock Shaft Screw Centre.....	06
1513c	783	" " " " " " Nut.....	05
3039	768	" Regulator.....	25
58E	782	" " Hinge Screw.....	15
818D	783	" " Thumb ".....	12
16506	766	" Rock Shaft.....	35
16507		" " " 16506 with 3043.....	50
3043	1208	" " " Crank with 462c.....	15
2049	1220	" " " " " Pin.....	01
462c	1221	" " " " " Set Screw.....	02

## No. 44-33 Machine Parts.

13

No.	Plate	Name	Each
307c	783	Feed Rock Shaft Screw Centre.....	06
1513c	783	" " " " " Nut.....	05
19230	1228	Guide.....	15
219	790	" Screw.....	02
7071	1220	" " Washer.....	01
*19465		Needle Bar for right hand needle with 620.....	
*19466		" " " left " " " 4766.....	
12382	1144	" " Connecting Link with 794c.....	50
794c	1144	" " " " " Adjusting Ser.....	03
19239		" " " Stud.....	40
19240	1219	" " " " " 19239 with 1904.....	50
1904	1144	" " " " " Roller (roller only).....	12
930E	1219	Needle Bar Connecting Stud Screw.....	01
*4766		" " Coupling.....	30
19452	1219	" " " Pin.....	10
4768	1219	" " " " " Lever.....	03
19453	1219	" " " " " Hub with 207.....	20
207	1219	" " " " " " Set Ser.....	02
19454	1219	" " " " " " Shaft.....	05
19455	1219	" " " " " " Bracket.....	2 00
190D	782	" " " " " " Ser.....	03
19456	1219	" " " " " " Crank.....	20
2273	1219	" " " " " " Pin.....	01
19457		" " " " " " 19454 with 2273 and 19456.....	25
19246	1219	Needle Bar Coupling Pin Rest.....	05
207	1219	" " " " " " Set Screw.....	02
12385	1203	" " Crank with 855c and 858c.....	80
858c	783	" " " " " Set Screw.....	03
855c	783	" " " " " Timing Screw.....	10
931D	1219	" " Screw Bushing.....	10
4840	1219	" " Spring for left hand needle.....	02
19247	1219	" " " Collar.....	15
224	1219	" " " " " Screw.....	02
19458	1205	" " complete, 19465 and 19466, with 224, 665D, 930E, 4840, 19240, 19247, 19452, 19459 and 19460, for $\frac{3}{32}$ -in. to $\frac{1}{4}$ -in. gauge.....	5 60
24017		Needle Bar complete, 19465 and 19466, with 224, 665D, 930E, 4840, 19240, 19247, 19452, 19460 and 24015, for $\frac{3}{32}$ -in. to $\frac{1}{8}$ -in. gauge.....	5 00
24018		Needle Bar complete, 19465 and 19466, with 224, 665D, 930E, 4840, 19240, 19247, 19452, 19460 and 24016, for $\frac{3}{32}$ -in. gauge and above.....	5 00
NOTE:--When ordering 19458, 24017 or 24018, state the gauge required. For illustration showing position of needle holes see Plate 1218.			
19460	1219	Needle Bar Thread Guide for 19458, 24017 and 24018.....	20



No.	Plate	Name	Each
665d	1219	Needle Bar Thread Guide Screw for 19460	02
19255	1201	" " Trip Lever	35
5596	768	" " " " Bell Crank	05
5599	768	" " " " " " Bracket	08
178c	782	" " " " " " " " Screw	03
5601	1220	Needle Bar Trip Lever Bell Crank Hinge Pin	01
5602	1220	" " " " " " Spring	02
5598	768	" " " " " " " " 5596 with	
12415	768	Needle Bar Trip Lever Connection	20
12416	1145	" " " " " " Joint	08
76d	782	" " " " " " " " Hinge Screw	05
1521E	1222	Needle Bar Trip Lever Connection Lock Nut	03
9534	1219	" " " " " " Spring	06
19256	1219	" " " " " " " " Collar with 187	17
187	1219	Needle Bar Trip Lever Connection Spring Collar Set Screw	02
6312	1219	Needle Bar Trip Lever Connection Spring Washer	03
892d	782	Needle Bar Trip Lever Hinge Screw	12
19462	1203	" " " " " " Pitman	50
95d	1221	" " " " " " Hinge Screw (crank end)	05
90d	1221	Needle Bar Trip Lever Pitman Hinge Screw (lever end)	05
19459	1219	Needle Clamp for left hand needle with 468, 994 and 19461, for $\frac{3}{32}$ -in. to $\frac{9}{32}$ -in. gauge	1 25
*24015		Needle Clamp for left hand needle with 468, 620, 994 and 19461, for $\frac{5}{32}$ -in. to $\frac{13}{32}$ -in. gauge	1 25
24016		Needle Clamp for left hand needle with two 620, for $\frac{3}{32}$ -in. gauge and above	1 25

NOTE: When ordering No. 19459 or 24016 give gauge required.

19461	1219	Needle Clamp Thread Guide for 19459 and 24015	01
468	1219	Needle Clamp Thread Guide Set Screw for 19461	02
620	1219	Needle Set Screw for right hand needle	02
994	1219	" " " " left " "	03
24020	1206	Oil Cup	20
24021	1206	" " Extension	05
12486	---	" " Packing (felt)	02
24022	1206	" " complete, Nos. 12486, 24020 & 24021	25
213	1221	" " Screw	03
19386	1203	Oscillating Rock Shaft	1 00
19387		" " " " 19386 with 4784 and 12388	1 50

No.	Plate	Name	Each
12388	1203	Oscillating Rock Shaft Hinge Pin	50
878d	783	" " " " " " Oil Hole Stop Screw	06
12459	1220	Oscillating Rock Shaft Hinge Pin Oil Hole Stop Screw Washer (leather) per 100	50
448c	783	Oscillating Rock Shaft Hinge Pin Set Screw	03
4784	1101	" " " " Oil Pad	01
19127	1200	" Shaft	35
19496	---	" " Crank	25
19388	1208	" " " " 19496 with 460c, 1518E and 19390	80
2049	1220	Oscillating Shaft Crank Pin	01
460d	783	" " " " Set Screw	02
19389	1208	" " " " Slide Block	35
229d	782	" " " " " " Cap. Ser.	02
12424	1208	" " " " " " " " Washer	02
969c	1208	Oscillating Shaft Crank Slide Block Ser. Stud	15
1518E	783	" " " " " " " " Nut	04
19390	1208	Oscillating Shaft Crank Slide Block 19389 with 229d, 969c and 12424	50
12391	1203	Presser Bar (hollow)	80
12326	1145	" " Guide Bracket with 453c	25
453c	783	" " " " " " Set Screw	02
2062	1145	" " Lifter	25
689c	782	" " " " Hinge Screw	08
1520e	783	" " " " " " Nut	03
12327	1145	" " Lifting and Releasing Lever Bracket	50
860E	782	Presser Bar Plug Screw	03
11167	1203	" " Spring (spiral light (.051 wire)	05
12139	1203	" " " " " " medium (.055 " " )	05
20023	1203	" " " " " " heavy (.063 " " )	05
11170	1220	" " " " Washer	01
688E	783	Pressure Regulating Thumb Screw	25
1875	1210	Roller, $\frac{1}{2}$ -in. diam., with 634d and 1548d	60
19199	---	" Arm	20
440	1221	" " Adjusting Screw	03
1547d	1146	" " " " " " Nut	03
19200	---	" " Bracket	30
316	1221	" " " " Screw Centre	03
1547d	1146	" " " " " " Nut	03
7556	1210	" " Lock Spring	05
176	1221	" " " " " " Screw	03
1549d	1222	" " " " " " Nut	03
19208	1210	" Needle Guard (round)	45
171	1221	" " " " " " Set Screw	03
19214	1209	" " " " " " " " Presser complete ( $\frac{1}{2}$ -in. roller) Nos. 171, 176, 440, 1549d, 1875, 7556, 19199, 19200, 19208, two 316 and three 1549d, for $\frac{3}{32}$ -in. to $\frac{1}{8}$ -in. gauge	1 85

No.	Plate	Name	Each
190b	782	Roller Presser Screw.....	03
634b	1221	" " Screw.....	08
1548b	1222	" " Nut.....	03
NOTE:—When ordering Roller Pressers or parts of Roller Pressers give gauge required.			
19131	1216	Shuttle (inside) Bobbin.....	05
19134	1216	" " " Case Latch and Position Finger.....	35
2521	1216	Shuttle (inside) Bobbin Case Latch and Position Finger Spring.....	02
592E	1216	Shuttle (inside) Bobbin Case Latch and Position Finger Stop Screw.....	02
19132	1216	Shuttle (inside) Bobbin Case complete, Nos. 591, 592E, 2521, 19134 and 19149.....	75
19136	1216	Shuttle (inside) Body for 19129.....	75
591	1216	" " Tension Regulating Screw.....	02
19140	1216	" " " Spring for 19132.....	10
19129	1216	" " 1 $\frac{1}{16}$ -in. diam., No. 19136 with 19131 and 19132.....	1 50
19131	1216	Shuttle (outside) Bobbin.....	05
19135	1216	" " " Case Latch and Position Finger.....	35
2521	1216	Shuttle (outside) Bobbin Case Latch and Position Finger Spring.....	02
592E	1216	Shuttle (outside) Bobbin Case Latch and Position Finger Stop Screw.....	02
19170	1216	Shuttle (outside) Bobbin Case complete, Nos. 591, 592E, 2521, 19135 and 19172.....	75
19137	1216	Shuttle (outside) Body for 19130.....	75
19171	1217	" " " " 19169.....	75
591	1216	" " Tension Regulating Screw.....	02
19172	1216	" " " Spring for 19170.....	10
19169	1217	" " 1 $\frac{1}{16}$ -in. diam., No. 19171 with 19131 and 19170, for gauges up to $\frac{13}{16}$ -in.....	1 50
19130	1216	Shuttle (outside) 1 $\frac{1}{16}$ -in. diam., No. 19137 with 19131 & 19170, for $\frac{7}{32}$ -in. gauge & above.....	1 50
*19138		Shuttle Driver.....	2 50
19139	1208	" " 19138 with two 453c.....	2 50
NOTE: When ordering No. 19139 give gauge required.			
2049	1220	Shuttle Driver Pin.....	01
453c	783	" " Set Screw.....	02
19277	-----	" Race Body.....	1 75
19278	1212	" " Loop Separator.....	1 50
934b	1221	" " " Screw.....	02
19279	1212	" " Ring (inside).....	1 50
19280	1212	" " " (outside).....	1 50

No.	Plate	Name	Each
2532	1220	Shuttle Race Ring Position Pin...per 100..	10
2533	1215	" " " Spring.....	15
907b	1221	" " " " Screw.....	05
19282	1212	" " complete, Nos. 19277 to 19280, two each 907b, 934b, 2533 and four 2532..	6 00
NOTE:—When ordering Shuttle Races or parts of Shuttle Races give gauge required.			
145	782	Shuttle Race Screw.....	04
19145	1204	" " Slide (inside).....	30
19146	1204	" " " (outside) for $\frac{7}{16}$ -in. gauge and below.....	25
19147	1220	Shuttle Race Slide Friction Spring.....	03
651E	1221	" " " " " Screw..	01
19148	1204	" " " Guide with 651E & 19147.....	50
19185	1204	" " " " (front) with 651E and 19147, for 19230 and 26268.....	50
691	782	Shuttle Race Slide Guide Screw.....	04
2921	1146	Tension Disc.....	05
19191	1146	" Plate for upper tension with 19231.....	50
134b	1221	" " Screw.....	06
1560c	1146	" Regulating Thumb Nut.....	04
19192	1146	" Releaser.....	15
12397	1145	" Releasing Lever.....	20
12398	1145	" " " Hinge Pin.....	01
12329	1145	" " " Spring.....	02
19193	1146	" " " (intermediate).....	10
19231	1146	" " " " " " Hinge Block.....	—
2269	1146	Tension Releasing Lever (intermediate) Hinge Pin.....	01
19194	1146	Tension Releasing Lever (intermediate) Spring.....	03
916	1146	Tension Screw Stud.....	08
1547b	1146	" " " Nut.....	03
2923	1146	" Spring.....	03
12149	1218	" Thread Guard.....	05
19195	1146	" (upper) complete with Tension Release, Nos. 2269, 19191, 19193, 19194, two each 916, 1547b, 1560c, 2923, 19192 and four 2921.....	1 50
19154	1220	Thread Guard (lower) for 19234.....	25
12152	1220	" " Rivet.....per 100..	10
19159	1218	" Guide Body.....	30
19161	1218	" " Cap.....	10
19160	1218	" " Roller.....	10
905b	1218	" " Screw.....	04
19162	-----	" " complete (roller) Nos. 905b and 19159 to 19161.....	50



No.	Plate	Name	Each
446c	783	Feed Cam and Feed Lifting Eccentric Set Screw.....	03
3033	1145	Feed Connecting Link.....	20
375c	782	" " " " Hinge Screw.....	12
1518E	783	" " " " " Nut.....	04
19306	790	" Dog with 19118, for $\frac{1}{2}$ -in. to $\frac{3}{16}$ -in. gauge, for vamping.....	1 25
19470	793	Feed Dog with 19118, for $\frac{1}{2}$ -in. to $\frac{3}{16}$ -in. gauge, for shoe staying.....	1 50
NOTE:—When ordering Feed Dogs give gauge required.			
191c	1221	Feed Dog Screw.....	03
19116	1220	" " Spring.....	02
19117	1220	" " " Hook for 19120.....	01
19118	1220	" " " " " Feed Dogs.....	01
12123	1201	" Forked Connection.....	60
375c	782	" " " " Hinge Screw.....	12
1518E	783	" " " " " Nut.....	04
16504	766	" Lifting Rock Shaft.....	45
19236	—	" " " " 16504 with 16556 and 19120.....	1 65
19120	1208	Feed Lifting Rock Shaft Crank (front) with 157E, 19117, 19121 and 19122.....	1 00
157E	782	Feed Lifting Rock Shaft Crank (front) Clamping Screw.....	04
19121	1208	Feed Lifting Rock Shaft Crank (front) Roller.....	12
19122	1208	Feed Lifting Rock Shaft Crank (front) Roller Pin.....	03
16556	1208	Feed Lifting Rock Shaft Crank (back) with 462c.....	20
2049	1220	Feed Lifting Rock Shaft Crank (back) Pin.....	01
462c	1221	" " " " " " Set Screw.....	02
12130	1201	Feed Lifting Rock Shaft Crank Connecting Rod.....	80
*12204	—	Feed Lifting Rock Shaft Crank Connecting Rod Cap.....	—
445E	782	Feed Lifting Rock Shaft Crank Connecting Rod Cap Screw.....	01
375c	782	Feed Lifting Rock Shaft Crank Connecting Rod Hinge Screw.....	12
1518E	783	Feed Lifting Rock Shaft Crank Connecting Rod Hinge Screw Nut.....	04
307c	783	Feed Lifting Rock Shaft Screw Centre.....	06
1513c	783	" " " " " " Nut.....	05
3039	768	Feed Regulator.....	25
58E	782	" " Hinge Screw.....	15
818D	783	" " Thumb ".....	12
16506	766	" Rock Shaft.....	35

No.	Plate	Name	Each
16507	—	Feed Rock Shaft 16506 with 3043.....	50
3043	1208	" " " Crank with 462c.....	15
2049	1220	" " " " Pin.....	01
462c	1221	" " " " Set Screw.....	02
307c	783	" " " Screw Centre.....	06
1513c	783	" " " " Nut.....	05
18014	1203	Needle Bar (hollow).....	60
12382	1144	" " Connecting Link with 794c.....	50
794c	1144	" " " " Adjusting Scr.....	03
12383	—	" " " Stud.....	40
1904	1144	" " " " Roller (roller only).....	12
453c	783	Needle Bar Connecting Stud Set Screw.....	02
12384	1144	" " " " 12383 with 453c and 1904.....	50
12385	1203	Needle Bar Crank with 855c and 858c.....	80
858c	783	" " " Set Screw.....	03
855c	783	" " " Timing Screw.....	10
696E	782	" " Plug Screw.....	03
12495	1220	" " " Rivet.....per 100..	05
936D	1221	" " Screw Bushing.....	06
19124	1218	" Clamp with two 460, for $\frac{1}{2}$ -in. to $\frac{3}{8}$ -in. gauge.....	1 25
19308	1218	Needle Clamp with 209 and 460, for $\frac{1}{4}$ -in. gauge and above.....	1 25
NOTE:—When ordering No. 19124 or 19308 give gauge required.			
2273	1219	Needle Clamp Pin.....	01
460	783	" Set Screw for 19124 and 19308.....	02
209	1221	" " " (right) for 19308.....	02
24020	1206	Oil Cup.....	20
24021	1206	" " Extension.....	05
12486	—	" " Packing (felt).....	02
24022	1206	" " complete, Nos. 12486, 24020 & 24021.....	25
213	1221	" " Screw.....	03
19386	1203	Oscillating Rock Shaft.....	1 00
19387	—	" " " 19386 with 4784 and 12388.....	1 50
12388	1203	Oscillating Rock Shaft Hinge Pin.....	50
878D	783	" " " " Oil Hole Stop Screw.....	06
12459	1220	Oscillating Rock Shaft Hinge Pin Oil Hole Stop Screw Washer (leather).....per 100..	50
448c	783	Oscillating Rock Shaft Hinge Pin Set Scr.....	03
4784	1101	" " " Oil Pad.....	01
19127	1200	" Shaft.....	35
19496	—	" " Crank.....	25
19388	1208	" " " 19496 with 460c, 1518E and 19390.....	80
2049	1220	Oscillating Shaft Crank Pin.....	01
460c	783	" " " Set Screw.....	02

## No. 44-34 Machine Parts.

No.	Plate	Name	Each
19389	1208	Oscillating Shaft Crank Slide Block.....	35
229d	782	“ “ “ “ “ Cap Ser	02
12424	1208	“ “ “ “ “ “ “	
		Washer.....	02
969c	1208	Oscillating Shaft Crank Slide Block Screw Stud.....	15
1518e	783	Oscillating Shaft Crank Slide Block Screw Stud Nut.....	04
19390	1208	Oscillating Shaft Crank Slide Block 19389 with 229d, 969c and 12424.....	50
12391	1203	Presser Bar (hollow).....	80
12326	1145	“ “ Guide Bracket with 453c.....	25
453c	783	“ “ “ “ “ Set Screw.....	02
2062	1145	“ “ Lifter.....	25
689c	782	“ “ “ Hinge Screw.....	08
1520c	783	“ “ “ “ “ Nut.....	03
13327	1145	“ “ Lifting and Releasing Lever Bracket.....	50
860E	782	Presser Bar Plug Screw.....	03
11167	1203	“ “ Spring (spiral) light (.051 wire)	05
12139	1203	“ “ “ “ “ medium (.055 wire).....	05
20023	1203	Presser Bar Spring (spiral) heavy (.063 wire)	05
11170	1220	“ “ “ Washer.....	01
19333	1223	“ Foot for inside stays.....	1 50
19186	1223	“ “ (long toe) for inside stays.....	1 50
20051	1223	“ “ with keel, slotted for tape, for staying.....	1 75
19476	1227	Presser Foot for 19478.....	2 50
19477	1227	“ “ Bracket with 465c.....	1 60
465c	1227	“ “ “ Set Screw.....	01
4460	1227	“ “ Guide with 735c.....	75
735c	1227	“ “ “ Set Screw.....	02
4461	1227	“ “ Spring.....	02
4462	1227	“ “ “ Screw Bushing.....	15
1607d	1227	“ “ Stop Nut.....	03
19478	1227	“ “ complete (spring presser) Nos. 1607d, 4460 to 4462, 19476 and 19477.....	5 00

NOTE:—When ordering Presser Feet or parts of Presser Feet give gauge required.

190d	782	Presser Foot Screw.....	03
688E	783	Pressure Regulating Thumb Screw.....	25
1839	1210	Roller, 1 $\frac{1}{2}$ -in. diam., with 386c and 1548d, for 19214 and 19212.....	40
1875	1210	Roller, 1 $\frac{1}{2}$ -in. diam., with 634d and 1548d, for 19213 and 19214.....	60
19196	-	Roller Arm for 19211.....	20
19197	-	“ “ “ 19212.....	20
19198	-	“ “ “ 19213.....	20
19199	-	“ “ “ 19214.....	20

## No. 44-34 Machine Parts.

No.	Plate	Name	Each
440	1224	Roller Arm Adjusting Screw.....	03
1547d	1146	“ “ “ “ Nut.....	03
19200	-	“ “ Bracket for 19212 and 19214.....	30
17567	-	“ “ “ “ 19211.....	30
4777	-	“ “ “ “ 19213.....	35
316	1221	“ “ “ Screw Centre.....	03
1547d	1146	“ “ “ “ “ Nut.....	03
7556	1210	“ “ Lock Spring.....	05
176	1221	“ “ “ “ “ Screw.....	03
1549d	1222	“ “ “ “ “ Nut.....	03
19201	1210	“ Needle Guard (flat) $\frac{3}{32}$ -in. to $\frac{1}{16}$ -in. gauge, for 19211.....	40
19204	1210	Roller Needle Guard (flat) $\frac{3}{32}$ -in. to $\frac{1}{16}$ -in. gauge, for 19213.....	40
207	1219	Roller Needle Guard (flat) Screw.....	02
19207	1210	“ “ “ (round) $\frac{3}{32}$ -in. to $\frac{1}{16}$ -in. gauge, for 19211.....	45
19208	1210	Roller Needle Guard (round) $\frac{3}{32}$ -in. to $\frac{1}{16}$ -in. gauge, for 19212 and 19214.....	45
19209	1210	Roller Needle Guard (round) $\frac{3}{32}$ -in. to $\frac{1}{16}$ -in. gauge, for 19213.....	45
171	1221	Roller Needle Guard (round) Set Screw....	03
19211	1209	“ Presser complete, 1 $\frac{1}{2}$ -in. roller, Nos. 171, 176, 207, 440, 1549d, 1839, 7556, 17567, 19196, 19201, 19207, two 316 and three 1547d, for $\frac{3}{32}$ -in. to $\frac{1}{16}$ -in. gauge.....	2 05
19212	1209	Roller Presser complete, 1 $\frac{1}{2}$ -in. roller, Nos. 171, 176, 440, 1549d, 1839, 7556, 19197, 19200, 19208, two 316 and three 1547d, for $\frac{3}{32}$ -in. to $\frac{1}{16}$ -in. gauge.....	1 65
19213	1209	Roller Presser complete, 1 $\frac{1}{2}$ -in. roller, Nos. 171, 176, 207, 440, 1549d, 1875, 4777, 7556, 19198, 19204, 19209, two 316 and three 1547d, for $\frac{3}{32}$ -in. to $\frac{1}{16}$ -in. gauge.....	2 25
19214	1209	Roller Presser complete, 1 $\frac{1}{2}$ -in. roller, Nos. 171, 176, 440, 1549d, 1875, 7556, 19199, 19200, 19208, two 316 and three 1547d, for $\frac{3}{32}$ -in. to $\frac{1}{16}$ -in. gauge.....	1 85
190b	782	Roller Presser Screw.....	03
386d	1101	“ Screw for 1839.....	08
634d	1221	“ “ “ 1875.....	08
1548d	1222	“ “ Nut.....	03

NOTE:—When ordering Roller Pressers or Parts of Roller Pressers give gauge required.

19131	1216	Shuttle (inside) Bobbin.....	05
19310	1217	“ “ “ Case Latch and Position Finger.....	35
2521	1216	Shuttle (inside) Bobbin Case Latch and Position Finger Spring.....	02
592E	1216	Shuttle (inside) Bobbin Case Latch and Position Finger Stop Screw.....	02





## No. 44-35 Machine Parts.

No.	Plate	Name	Each
19338	786	Feed Dog with 19118, for $\frac{3}{32}$ -in. to $\frac{1}{16}$ -in. gauge, for general work.....	1 50
19339	786	Feed Dog with 19118, for $\frac{3}{32}$ -in. to $\frac{1}{16}$ -in. gauge, for general work.....	1 50
19340	785	Feed Dog with 19118, for $\frac{3}{16}$ -in. to $\frac{1}{2}$ -in. gauge, for lap seam feller.....	1 50
19341	789	Feed Dog with 19118, for $\frac{1}{4}$ -in. to $\frac{1}{2}$ -in. gauge, for knit goods and general work..	1 50
19342	785	Feed Dog with 19118, for $\frac{1}{8}$ -in. to $\frac{3}{16}$ -in. gauge, for collars and cuffs.....	1 50
19343	789	Feed Dog with 19118, for $\frac{1}{4}$ -in. to $\frac{3}{32}$ -in. gauge, for general work.....	1 50
19344	788	Feed Dog with 19118, for $\frac{1}{8}$ -in. to $\frac{3}{16}$ -in. gauge, for lap seam feller.....	1 50
19479	793	Feed Dog with 19118, for staying overgaiters	1 50
19482	794	" " " " rounding	1 50
20068	795	" " " " $\frac{5}{16}$ -in. to $\frac{1}{4}$ -in. gauge, for boning and corset strip.....	1 50
20072	796	Feed Dog with 19118, for $\frac{3}{16}$ -in. to $\frac{1}{2}$ -in. gauge, two long rows of teeth.....	1 50
20074	797	Feed Dog with 19118, for $\frac{3}{16}$ -in. to $\frac{1}{4}$ -in. gauge, for knit goods and general work..	1 50
20076	797	Feed Dog with 19118, for $\frac{3}{16}$ -in. to $\frac{1}{8}$ -in. gauge, two long and two short rows of teeth, for heavy lap seam feller.....	1 50
20082	798	Feed Dog with 19118, for $\frac{3}{8}$ -in. to $\frac{1}{2}$ -in. gauge, for collars and cuffs.....	1 50
20084	799	Feed Dog with 19118, for $\frac{3}{8}$ -in. to $1\frac{1}{8}$ -in. gauge, three long and two short rows of teeth, for general work.....	1 50
20086	799	Feed Dog with 19118, for $\frac{3}{16}$ -in. to $\frac{1}{4}$ -in. gauge, for heavy bolting cloth.....	1 50
20088	800	Feed Dog with 19118, for $\frac{3}{4}$ -in. to $1\frac{1}{2}$ -in. gauge, three long and two short rows of teeth, for heavy lap seam feller.....	1 75
20103	800	Feed Dog with 19118, for $\frac{3}{32}$ -in. to $\frac{1}{8}$ -in. gauge, for lap seam feller.....	1 50
20108	801	Feed Dog (spiked teeth) with 19118, for $\frac{3}{32}$ -in. to $\frac{1}{4}$ -in. gauge, for collars and cuffs.	1 50

NOTE:—When ordering Feed Dogs give gauge required.

191c	1221	Feed Dog Screw.....	03
19116	1220	" " Spring.....	02
19117	1220	" " Hook for 19120.....	01
19118	1220	" " " " Feed Dogs.....	01
19275	1203	" and Feed Lifting Eccentric with 446c.	50
446c	783	" " " " Set Screw..	03
12429	1201	" Forked Connection.....	75
375c	782	" " " Hinge Screw.....	12
1518g	783	" " " " Nut..	04

## No. 44-35 Machine Parts.

No.	Plate	Name	Each
16504	766	Feed Lifting Rock Shaft.....	45
19119	"	" " " " 16504 with 12200 and 19120.....	1 65
19120	1208	Feed Lifting Rock Shaft Crank (front) with 157E, 19117, 19121 and 19122.....	1 00
157E	782	Feed Lifting Rock Shaft Crank (front) Clamping Screw.....	04
19121	1208	Feed Lifting Rock Shaft Crank (front) Roller.....	12
19122	1208	Feed Lifting Rock Shaft Crank (front) Roller Pin.....	03
12200	1208	Feed Lifting Rock Shaft Crank (back) with 462c.....	20
2049	1220	Feed Lifting Rock Shaft Crank (back) Pin.	01
462c	1221	" " " " " " Set Screw.....	02
12430	1201	Feed Lifting Rock Shaft Crank Connecting Rod.....	80
#12204	"	Feed Lifting Rock Shaft Crank Connecting Rod Cap.....	--
145E	782	Feed Lifting Rock Shaft Crank Connecting Rod Cap Screw.....	04
375c	782	Feed Lifting Rock Shaft Crank Connecting Rod Hinge Screw.....	12
1518E	783	Feed Lifting Rock Shaft Crank Connecting Rod Hinge Screw Nut.....	04
307c	783	Feed Lifting Rock Shaft Screw Centre....	06
1513c	783	" " " " " " Nut.	05
3039	768	" Regulator.....	25
58E	782	" " Hinge Screw.....	15
818b	783	" " Thumb ".....	12
16506	766	" Rock Shaft.....	35
16507	"	" " " 16506 with 3043.....	50
3043	1208	" " " Crank with 462c.....	15
2049	1220	" " " " Pin.....	01
462c	1221	" " " " Set Screw.....	02
307c	783	" " " " Screw Centre.....	06
1513c	783	" " " " " Nut.....	05
19215	1228	Guide for collars and cuffs.....	30
207	1219	" Screw.....	02
7071	1220	" " Washer.....	01
18014	1203	Needle Bar (hollow).....	60
12382	1144	" " Connecting Link with 794c...	50
794c	1144	" " " " Adjusting Ser	03
12383	"	" " " Stud.....	40
1904	1144	" " " " Roller (roller only).....	12
453c	783	Needle Bar Connecting Stud Set Screw....	02
12384	1144	" " " " 12383 with 453c and 1904.....	50



No.	Plate	Name	Each
12385	1203	Needle Bar Crank with 855c and 858c.....	80
858c	783	" " " Set Screw.....	03
855c	783	" " " Timing Screw.....	10
696e	782	Needle Bar Plug Screw.....	03
12495	1220	" " " Rivet.....per 100	05
936b	1221	" " Screw Bushing.....	06
19124	1218	" Clamp with two 460, for $\frac{1}{32}$ -in. to $\frac{3}{32}$ -in. gauge.....	1 25
19276	1218	Needle Clamp with two 209, for $\frac{7}{16}$ -in. gauge and above.....	1 25
NOTE:— When ordering No. 19124 or 19276 give gauge required.			
2273	1219	Needle Clamp Pin.....	01
209	1221	" Set Screw for 19276.....	02
460	783	" " " " 19124.....	02
19386	1203	Oscillating Rock Shaft.....	1 00
19387	---	" " " 19386 with 4784 and 12388.....	1 50
12388	1203	Oscillating Rock Shaft Hinge Pin.....	50
878b	783	" " " " " Oil Hole Stop Screw.....	06
12459	1220	Oscillating Rock Shaft Hinge Pin Oil Hole Stop Screw Washer (leather).....per 100	50
448c	783	Oscillating Rock Shaft Hinge Pin Set Screw	03
4784	1101	" " " Oil Pad.....	01
19127	1200	" Shaft.....	35
19496	---	" " Crank.....	25
19388	1208	" " " 19496 with 460c, 1518e and 19390.....	80
2049	1220	Oscillating Shaft Crank Pin.....	01
460c	783	" " " Set Screw.....	02
19389	1208	" " " Slide Block.....	35
229b	782	" " " " " Cap Scr.	02
12424	1208	" " " " " Washer.....	02
969c	1208	Oscillating Shaft Crank Slide Block Scr. Stud	15
1518e	783	" " " " " " Nut.....	04
19390	1208	Oscillating Shaft Crank Slide Block 19389 with 229b, 969c and 12424.....	50
12391	1203	Presser Bar (hollow).....	80
12326	1145	" " Guide Bracket with 453c.....	25
453c	783	" " " " " Set Screw.....	02
2062	1145	" " Lifter.....	25
689c	782	" " " Hinge Screw.....	08
1520c	783	" " " " " Nut.....	03
12327	1145	" " Lifting and Releasing Lever Bracket.....	50
860e	782	Presser Bar Plug Screw.....	03
11167	1203	" " Spring (spiral) light (.051 wire)	05

No.	Plate	Name	Each
12139	1203	Presser Bar Spring (spiral) medium (.055 wire)	05
20023	1203	" " " " heavy (.063 " )	05
11170	1220	" " " Washer.....	01
19128	1223	" Foot, for general work.....	1 00
19216	1225	" " with 228, for 19342 and 25967..	1 00
19480	1223	" " for staying overgaiters.....	1 50
19183	1223	" " rounding " .....	1 50
26276	1220	" " Hinge Pin.....	01
20044	---	" " Plate.....	1 00
26275	---	" " Shank.....	75
20045	1223	" " (hinged) Nos. 20044, 26275 and 26276.....	1 75
20046	1223	Presser Foot (tube).....	2 00
26276	1220	" " Hinge Pin.....	01
20047	---	" " Plate.....	2 00
26231	1220	" " Spring.....	02
20048	---	" " Shank.....	75
20049	1224	" " (tube)hinged, Nos. 20047, 20048, 26231 and 26276.....	2 75
20050	1224	Presser Foot (tube) for taping.....	2 00
20052	1224	" " for outside stays and strips...	1 50
20053	1224	" " (strip) for boning.....	1 75
20112	1225	" " with 228, for 20108 and 25967..	1 00
NOTE:— When ordering Presser Feet or parts of Presser Feet give gauge required.			
190b	782	Presser Foot Screw.....	03
688e	783	Pressure Regulating Thumb Screw.....	25
19131	1216	Shuttle (inside) Bobbin.....	05
19134	1216	" " " Case Latch and Position Finger.....	35
2521	1216	Shuttle (inside) Bobbin Case Latch and Position Finger Spring.....	02
592e	1216	Shuttle (inside) Bobbin Case Latch and Position Finger Stop Screw.....	02
19132	1216	Shuttle (inside) Bobbin Case complete, Nos. 591, 592e, 2521, 19134 and 19149.....	75
19136	1216	Shuttle (inside) Body for 19129.....	75
591	1216	" " Tension Regulating Screw.	02
19149	1216	" " " Spring for 19132..	10
19129	1216	" " $1\frac{1}{16}$ -in. diam., No. 19136 with 19131 and 19132.....	1 50
19131	1216	Shuttle (outside) Bobbin.....	05
19135	1216	" " " Case Latch and Position Finger.....	35
2521	1216	Shuttle (outside) Bobbin Case Latch and Position Finger Spring.....	02
592e	1216	Shuttle (outside) Bobbin Case Latch and Position Finger Stop Screw.....	02
19170	1216	Shuttle (outside) Bobbin Case complete, Nos. 591, 592e, 2521, 19135 and 19172.....	75

No.	Plate	Name	Each
19137	1216	Shuttle (outside) Body for 19130.....	75
19171	1217	" " " " 19169.....	75
591	1216	" " Tension Regulating Scr.....	02
19172	1216	" " " Spring for 19170.....	10
19169	1217	" " $1\frac{1}{16}$ -in. diam., No. 19171 with 19131 and 19170, for gauges up to $\frac{13}{16}$ -in.....	1 50
19130	1216	Shuttle (outside) $1\frac{1}{16}$ -in. diam., No. 19137 with 19131 and 19170, for $\frac{3}{32}$ -in. gauge and above.....	1 50
*19138	—	Shuttle Driver.....	2 50
19139	1208	" " 19138 with two 453c.....	2 50

NOTE:—When ordering No. 19139 give gauge required.

2049	1220	Shuttle Driver Pin.....	01
453c	783	" " Set Screw.....	02
19277	—	" Race Body.....	1 75
19278	1212	" " Loop Separator.....	1 50
934D	1221	" " " Screw.....	02
19279	1212	" " Ring (inside).....	1 50
19280	1212	" " " (outside).....	1 50
2532	1220	" " " Position Pin, per 100.....	10
2533	1215	" " " Spring.....	15
907D	1221	" " " " Screw.....	05
19282	1212	" " complete, Nos. 19277 to 19280, two each 907D, 934D, 2533 and four 2532.....	6 00

NOTE: When ordering Shuttle Races or parts of Shuttle Races give gauge required.

145	782	Shuttle Race Screw.....	04
19145	1204	" " Slide (inside).....	30
19146	1204	" " " (outside) for $\frac{1}{16}$ -in. gauge and below.....	25
19281	1204	Shuttle Race Slide (outside) for $\frac{1}{32}$ -in. to $\frac{1}{16}$ -in. gauge.....	25
19385	1204	Shuttle Race Slide (outside) for $\frac{1}{32}$ in. to $1\frac{1}{16}$ -in. gauge.....	25
19147	1220	Shuttle Race Slide Friction Spring.....	03
651E	1221	" " " " " Screw.....	01
19148	1204	" " " Guide with 651E & 19147.....	50
691	782	" " " " Screw.....	04
2921	1146	Tension Disc.....	05
19191	1146	" Plate for upper tension with 19231.....	50
134D	1221	" " Screw.....	06
1560c	1146	" Regulating Thumb Nut.....	04

No.	Plate	Name	Each
19192	1146	Tension Releaser.....	15
12397	1145	" Releasing Lever.....	20
12398	1145	" " " Hinge Pin.....	01
12329	1145	" " " Spring.....	02
19193	1146	" " " (intermediate).....	10
19231	1146	" " " " Hinge Block.....	—
2269	1146	Tension Releasing Lever (intermediate) Hinge Pin.....	01
19194	1146	Tension Releasing Lever (intermediate) Spring.....	03
916	1146	Tension Screw Stud.....	08
1547D	1146	" " " Nut.....	03
2923	1146	" Spring.....	03
12149	1218	" Thread Guard.....	05
19195	1146	" complete (upper) with Tension Re- lease, Nos. 2269, 19191, 19193, 19194, two each 916, 1547D, 1560c, 2923, 19192 and four 2921.....	1 50
19154	1220	Thread Guard (lower) for 19110.....	25
12152	1220	" " " Rivet.....per 100..	10
19155	1220	" " (upper) for 19110.....	20
12152	1220	" " " Rivet.....per 100..	10
19159	1218	" Guide Body.....	30
19161	1218	" " Cap.....	10
19160	1218	" " Roller.....	10
905D	1218	" " Screw.....	04
19162	—	" " complete (roller) Nos. 905D, 19159 to 19161.....	50
12401	1144	Thread Take-up Crank.....	80
3091	1144	" " " Wedge.....	10
690E	1144	" " " " Screw.....	05
19156	1144	" " Lever.....	30
775E	1144	" " " Cap Screw.....	06
12166	1144	" " " Hinge Pin.....	05
12409	1144	" " " Link.....	25
11204	1144	" " " " Hinge Pin.....	15
430c	1144	" " " " " Set Screw.....	04
19157	1144	Thread Take-up Lever 19156 with 12166 and 12409.....	65
19158	1218	Thread Take-up Spring (music wire).....	03
7336	1218	" " " Regulator.....	25
448c	783	" " " " Set Screw.....	03
19283	788	Throat Plate for 19274.....	1 50
19287	786	" " " 19338.....	1 50
19288	786	" " " 19339.....	1 50
19190	785	" " " 19340.....	1 50
19291	789	" " " 19341.....	1 50
19163	785	" " " 19215 and 19342.....	1 50
19290	789	" " " 19343.....	1 50

No.	Plate	Name	Each
19289	788	Throat Plate for 19344.....	1 50
19481	793	“ “ with 4515, for 19479.....	1 50
4515	—	“ “ Spring Guide for 19481.....	25
19484	794	“ “ with 240b, 19485 and 19486, for 19482.....	2 50
19485	—	Throat Plate Arm for 19484.....	15
19486	—	“ “ Spring Guide for 19484.....	50
240b	782	“ “ “ “ Screw.....	01
20069	795	“ “ for 20068.....	1 50
20073	796	“ “ “ 20072.....	1 50
20075	797	“ “ “ 20074.....	1 50
20077	797	“ “ “ 20076.....	1 50
20083	798	“ “ “ 20082.....	1 50
20085	799	“ “ “ 20084.....	1 50
20087	799	“ “ “ 20086.....	1 50
20089	800	“ “ “ 20088.....	1 50
20104	800	“ “ “ 20103.....	1 50
20109	801	“ “ “ 20108.....	1 50

NOTE:—When ordering Throat Plates give gauge required.

691	782	Throat Plate Screw.....	04
24079	—	Drip Pan with four 1-in. wire nails.....	25

PARTS COMPLETE FOR

**No. 44-36 MACHINE.**DROP FEED, TWO NEEDLES, TWO SHUTTLES, THROAT PLATE  
FLUSH WITH BED PLATE, FOR COLLARS AND CUFFS.

No.	Plate	Name	Each
*19107	—	Arm.....	4 25
8582	1220	“ Dowel Pin.....	02
12453	1220	“ Oil Tube for intermediate bearing....	06
12454	1220	“ “ “ “ oiling 12409.....	06
11149	1220	“ “ “ “ “ 19156.....	10
748E	782	“ Screw (back).....	08
868E	1221	“ “ (front).....	10
16511	1200	“ Shaft.....	1 90
*11104	—	“ “ Bushing (front).....	30
12357	1203	“ “ Flanged Bushing (back).....	25
448c	783	“ “ “ “ “ Set Scr.....	03
44d	782	“ “ Screw.....	12
12480	1205	“ Side Cap.....	05
219	790	“ “ “ Screw.....	02
12193	1202	“ “ Cover.....	10
286d	783	“ “ “ Thumb Screw.....	08
2415	1200	“ Spool Bracket.....	25
159	1221	“ “ “ Screw.....	03
12403	1220	“ “ “ Spool Pin and Thread Eyelet.....	05
11241	1203	Arm Spool Bracket Washer (cloth)...per 100	25
15063	1200	“ “ “ 2415 with two 12403....	35
12358	—	Balance Wheel, light rim, 2½-in. pulley, with two 448c.....	75
12359	1200	Balance Wheel, light rim, 3-in. pulley, with two 448c.....	75
448c	783	Balance Wheel Set Screw.....	03
*19303	—	Bed.....	4 50
12496	1201	Crank Connecting Rod.....	1 35
*14013	—	“ “ “ Cap.....	—
896E	1221	“ “ “ “ Screw.....	04
908c	1221	“ “ “ “ Hinge Screw.....	12
1619E	1222	“ “ “ “ “ Nut.....	05
19304	—	Face Plate.....	50
19305	1202	“ “ 19304 with 19155, 19327 and two 12452.....	1 00
190d	782	Face Plate Screw.....	03
286d	783	“ “ Thumb Screw.....	08
19111	1208	Feed Bar.....	75
343c	783	“ “ “ Screw Centre.....	04
1519E	783	“ “ “ “ Nut.....	03
3033	1445	“ Connecting Link.....	20
375c	782	“ “ “ Hinge Screw.....	12
1518E	783	“ “ “ “ “ Nut....	04







## For Machine on Iron Base.

No.	Plate	Name	Each
19226	1206	Bed Frame Hinge Connection.....	15
19397	1206	“ “ “ “ Cap.....	30
211	1206	“ “ “ “ “ Screw....	03
19398	“	“ “ “ “ 19226 with 211 and 19397.....	20
16555	1206	Bed Frame Hinge Plate.....	15
14010	1206	“ “ “ “ Rivet.....	01
970b	1221	“ “ Thumb Screw.....	20
19399	1231	“ “ complete, Nos. 970b, two each 16555, 19398, four each 19219, 19220, six each 14010, wood screws 1½-in. No. 10, and eight 158e.....	2 35

## Attachments &amp; Accessories.

No.	Plate	Name	Each
12361	1207	Machine Hinge Connection.....	15
12362	1207	“ “ Plate.....	15
12363	“	“ “ complete, Nos. 12361, 12362 and two wood screws, 1¼-in. No. 14.....	30
12405	1207	Machine Rest (felt).....	02
25955	1161	Oiler with 25956.....	15
25956	1161	“ Spout, 8½-in. long.....	07
26026	1161	Screw Driver (machine).....	10
26027	1161	“ “ (shuttle tension).....	05
10874	1205	Tweezers.....	10
4347	1161	Wrench for 1513 and 1518.....	15
4822	1207	“ “ 1547, 1548 and 1549.....	05
8908	1161	“ “ 1520.....	10
19221	1161	“ “ 936 and 1619.....	15

## GUIDES.

No.	Plate	Name	Each
26266	1228	Stay Guide Plate (lower).....	20
26267	1228	“ “ “ (upper).....	20
193	1221	“ “ Screw.....	03
7074	1220	“ “ Washer.....	01
26268	“	“ “ complete, Nos. 26266 and 26267.....	40

## LAP SEAM FELLER PARTS.

No.	Plate	Name	Each
26269	“	Folder for 26272.....	3 25
18114	“	“ Slide.....	15
19294	1226	“ “ Spring.....	05
405E	1226	“ “ “ Screw.....	02
26272	1226	Lap Seam Feller (right hand) complete, Nos. 18114 and 26269.....	3 40
26396	1226	Folder for 26397.....	3 25
18118	1227	Holder with 8505 and 18116, for 44-37 Mach.....	75
207	1219	“ Screw.....	02
18116	1227	“ Spring.....	05
8505	1227	“ “ Rivet.....per 100..	10
26397	1226	Lap Seam Feller (left hand) complete, Nos. 18114 and 26396.....	3 40

NOTE: When ordering No. 26272 or 26397  
give gauge required.





**TAPE HOLDER (10-IN. DISC).**

No.	Plate	Name	Each
26066	989	Bracket Wire.....	-
26067	—	“ “ 26066 with 26068 and 26072.....	60
26068	989	Disc.....	-
26069	989	“ Hub.....	-
26070	—	“ “ Rivet.....	-
26071	—	“ 26068 with 26069 and three 26070.....	40
26064	1200	Foot with 736d.....	20
	736d	1221 “ Screw.....	10
26072	989	Tape Guide.....	-
26073	1206	Tension Adjusting Collar with 286d.....	15
	286d	783 “ “ “ Thumb Screw.....	08
13211	1206	“ “ “ Spring.....	02
26074	989	Tape Holder complete, Nos. 13211, 26067 and 26071.....	1 25
26343	—	Tape Holder 26074 with 26061.....	1 45

**TAPE SPOOL FIXTURE (WIRE).**

No.	Plate	Name	Each
4516	—	Tape Spool Fixture (wire) with fixed cone.....	60
4518	1206	“ “ “ Cone.....	10
1541B	1222	“ “ “ Regulating Thumb Nut.....	05
8019	1206	“ “ “ Spring.....	02
4517	1205	“ “ “ 4516 with 1541B, 4518 and 8019.....	75

**SPOOL FIXTURE (WIRE).**

No.	Plate	Name	Each
4715	—	Spool Fixture (wire) with two 10145.....	55
4717	—	“ “ Flange.....	10
10145	1220	“ “ Thread Eyelet.....	01
4718	—	“ “ Washer (felt).....	01
4716	1205	“ “ 4715 with two 4717 & three 4718.....	75

**BOBBIN WINDER.****BOBBIN WINDER (SWINGING AUTOMATIC, RIGHT HAND).**

No.	Plate	Name	Each
27552	1162	Base.....	15
15072	1220	Bobbin Position Pin.....per 100..	10
27302	1162	Frame.....	15
	32d	782 “ Hinge Screw.....	15
27303	1220	“ Spring.....	03

**Bobbin Winder.**

47

No.	Plate	Name	Each
27553	1162	Pulley.....	20
27538	1162	Spindle with 15072.....	20
27306	1162	Spool Pin.....	05
27307	1162	“ Stand.....	10
27308	1162	“ “ 27307 with 418d, 1562d, 2106, 10141, 11241, 27306, wood screw 1-in. No. 10 and two 2455.....	35
11241	1203	Spool Washer (cloth).....per 100..	25
27587	1162	Stop Latch.....	10
	35d	1221 “ “ Hinge Screw.....	07
	2455	1220 Tension Disc.....	02
	1562d	1222 “ Regulating Thumb Nut.....	04
	118d	1221 “ Screw Stud.....	08
10141	1220	“ Spring.....	01
2106	1220	“ Thread Guide.....	01
27651	1162	Bobbin Winder, Nos. 32d, 35d, 27302, 27303, 27538, 27552, 27553, 27587 and two wood screws 1-in. No. 7.....	1 00
27588		Bobbin Winder (swinging automatic, right hand) complete, 27651 with 27308.....	1 35

**DRIVING ATTACHMENT.**

No.	Plate	Name	Each
16592	1230	Balance Wheel (friction) with 7958, 16524 and two 448c.....	1 00
16524		Balance Wheel Friction Ring (leather).....	05
	7958	1220 “ “ “ Stop Pin.....	01
	448c	783 “ “ Set Screw.....	03
15072	1220	Bobbin Position Pin for 15077.....per 100..	10
16514	768	“ Winder Frame.....	15
	32d	782 “ “ “ Hinge Screw.....	15
16515	768	“ “ “ complete, Nos. 333d, 5960, 5961, 5963, 15077 and 16514.....	60
	5960	768 Bobbin Winder Friction Wheel (leather)...	10
	5961	768 “ “ “ “ Washer....	05
	333d	782 “ “ “ “ “ Screw.....	04
15077	1207	“ “ Spindle with 15072.....	15
	5963	768 “ “ “ Flange.....	06
27306	1162	“ “ Spool Pin.....	05
27307	1162	“ “ Stand.....	10
27308	1162	“ “ “ “ 27307 with 418d, 1562d, 2106, 10141, 11241, 27306, wood screw 1-in. No. 10 and two 2455.....	35
11241	1203	Bobbin Winder Spool Washer (cloth).....per 100..	25
12170	1207	“ “ Spring.....	03
	180	782 “ “ Screw.....	03
19258	1207	“ “ Stop Latch with 152 & 1550.....	50
	152	782 “ “ “ “ Adjusting Screw.....	03
1550	783	“ “ “ “ “ “ Nut.....	03



## Foot Lifter Parts.

No.	Plate	Name	Each
356e	783	Rock Shaft Lifting Bracket Set Screw.....	06
2770	766	" " Stop Dog with 356e.....	12
356e	783	" " " " Set Screw.....	06
4880	1231	" " complete, Nos. 2763, 2770, 7125, 12243 and two each 6337 and 12242.....	1 00
4881	1231	Treadle.....	30
4882	1203	" Shaft.....	05
4883	1203	" Spring.....	10
4884	1231	" Stand.....	25
4885	1231	" complete, Nos. 4879 & 4881 to 4884.....	75
19331	—	Foot Lifter complete, Nos. 76p, 766p, 802p, 1521E, 4880, 4885, 5598, 5670, 12240, 12241, 12415, 12416, 16510 and two 178c.....	2 85

## KNEE LIFTER PARTS.

No.	Plate	Name	Each
5596	768	Bell Crank.....	05
5599	768	" " Bracket.....	08
178c	782	" " " " Screw.....	03
5601	1220	" " Hinge Pin.....	01
5602	1220	" " Spring.....	02
5598	768	" " 5596 with 5599, 5601 and 5602.....	20
16510	766	Lifting Lever with 448c.....	20
12415	768	" " Connecting Rod.....	08
12416	1145	" " " " Joint.....	08
76d	782	" " " " " " Hinge Screw.....	05
1521E	1222	Lifting Lever Connecting Rod Lock Nut.....	03
802p	782	" " Hinge Screw.....	12
12241	1145	" " Link.....	10
766p	782	" " " " Hinge Screw.....	05
12240	1145	" " " " Pin.....	05
448c	783	" " " " Set Screw.....	03
2763	766	Rock Shaft.....	10
12242	766	" " Hanger with two wood screws, 1½-in., No. 10.....	08
2765	766	Rock Shaft Knee Arm.....	10
2766	766	" " " " Hub with 356e.....	15
356e	783	" " " " " " Set Screw.....	06
2768	—	" " " " " " 2765 with 2766 & 2767.....	40
2767	766	" " " " " " Plate with 356e.....	18
356o	783	" " " " " " Set Screw.....	06
6337	766	" " " " " " Lifting Bracket with two 356e.....	20
2778	766	" " " " " " Hook.....	05
356e	783	" " " " " " Set Ser.....	06
2770	766	" " " " " " Stop Dog with 356e.....	12
356e	783	" " " " " " Set Screw.....	06
2777	766	" " " " " " complete, 2763 with 2768, 2770, 2778, 6337 and two 12242.....	1 00
16512	—	Knee Lifter complete, Nos. 76p, 766p, 802p, 1521E, 2777, 5598, 12240, 12241, 12415, 12416, 16510 and two 178c.....	1 95

## THREAD UNWINDER

FOR TWO LARGE SPOOLS.

No.	Plate	Name	Each
27555	1203	Spool Pin.....	08
27583	1163	" Rest.....	20
27556	—	" " 27583 with 138B and two 27555.....	40
138B	1101	" " Set Screw.....	05
27557	1163	" Stand with 138B.....	25
27558	1163	" Weight, 4-in. diam., with 27592.....	15
27592	1206	" " Centre Pin.....	05
27559	1163	Thread Guard.....	20
27563	1163	" " Hub.....	20
330B	1221	" " " " Set Screw.....	03
27560	1163	" " Rod, 26-in. long.....	30
138B	1101	" " " " Set Screw.....	05
449c	1221	" " " " Set Screw.....	02
27561	—	" " 27559 with 330B, 449c & 27563.....	50
27562	1163	" Unwinder complete, Nos. 27556, 27557, 27560, 27561, two 27558 and three wood screws, 1-in., No. 10.....	1 60

## UNDER DRIVER.

LEVER PRESSURE, RIGHT HAND (OIL CONTROLLING PULLEY).

No.	Plate	Name	Each
27508	362	Belt Guard.....	08
356e	783	" " " " Screw.....	06
2018	1101	" " " " Washer.....	01
27509	362	Cone Pulley, three speed, 2½-in., 3¼-in. and 5½-in. diam., with 27473.....	60
27473	1101	Cone Pulley Centre Bearing.....	08
27474	363	Dress Guard (right hand).....	08
138E	1101	" " " " Screw.....	05
27630	362	Driving Pulley, 6-in. diam., with 955c, 27476 and two 7958.....	60
27476	—	Driving Pulley Friction Ring (leather).....	05
7958	1220	" " " " " " Stop Pin.....	01
27631	1101	" " " " Hollow Stud with 27600.....	15
27600	1101	" " " " " " Position Stud.....	—
356e	783	" " " " " " Set Screw.....	06
27632	—	" " " " " " Wick.....	01
27633	—	" " " " " " Wire with 27632.....	05

No.	Plate	Name	Each
955c	1101	Driving Pulley Screw Centre Bearing.....	08
7958	1220	" " " " " Dowel Pin	01
27634	362	Frame.....	60
27529	362	Lever.....	25
27497	1101	" Brake Strip (leather).....	02
27483	1101	" " Spring.....	02
12178	1101	" Centre Plug (wood).....	01
427E	1101	" " Adjusting Screw.....	08
1508c	783	" " " " " Nut.....	06
27485	1101	" Hinge Pin.....	01
27635	362	Oil Cup.....	25
145E	782	" " Screw.....	04
27070	363	Shaft Driving Pulley, 10-in. diam. (grooved) 1 3/8-in. bore, sectional, with two 597c....	45
597c	1221	Shaft Driving Pulley Clamping Screw.....	08
27636	363	Treadle.....	30
9082	1101	" Bearing Cotter Pin.....	01
27637	362	" Pitman Rod (lower).....	05
27638	1101	" " " Spring.....	03
27639	362	" " " (upper).....	05
9079	362	" " " Clamp with 354c.....	12
354c	1101	" " " " Screw.....	06
27640	362	" " complete, Nos. 2762, 9079 and 27637 to 27639.....	35
2762	1206	Treadle Stop Collar with 362.....	10
362	1221	" " " Set Screw.....	05
2878	363	" Stand.....	15
27642	—	" 27636 with 2878, 9082 and four wood screws, 1-in., No. 16.....	45
27643	—	Treadle complete, Nos. 27640 and 27642....	80
27644	—	Transmitter complete for 27645, Nos. 438E, 427E, 1508c, 2018, 12178, 27474, 27483, 27485, 27497, 27508, 27509, 27529, 27630, 27631, 27633 to 27635, two each 145E and 356c and four wood screws, 1 1/2-in., No. 16....	3 00
27645	—	Under Driver, Lever Pressure, three speed, complete, Nos. 27070, 27643 and 27644....	4 00

## OBSOLETE PARTS.

No.	Plate	Name	Each
12365	1201	Crank Connecting Rod for 375c.....	1 35
375c	782	" " " Hinge Screw.....	12
1518E	783	" " " " " Nut....	04
19235	787	Feed Dog with 19118, for 44-33 Machine....	1 25
19337		" and Feed Lifting Eccentric with 446c, for 44-36 Machine.....	50
*19237		Needle Bar for right hand needle with 4766, for 19248.....	
*19238		Needle Bar for left hand needle, for 19248....	
19241	1229	" " Coupling Pin for 19248.....	10
19242	1229	" " " " Lever Bell Crank with 19244, for 44-33 Machine.....	50
19243	1229	Needle Bar Coupling Pin Lever Bell Crank Bracket for 44-33 Machine.....	2 00
19244	1220	Needle Bar Coupling Pin Lever Bell Crank Washer for 19242.....	01
19245	1229	Needle Bar Coupling Pin Lever Hub for 44-33 Machine.....	20
19248		Needle Bar complete, 19237 and 19238, with 185, 335, 874, 930E, 4766, 4840, 19240, 19241, 19247, 19249 and two 621D, use 19458, for 44-33 Machine.....	5 00
19257		Needle Bar Trip Lever Pitman for 44-33 Machine.....	50
19249	1229	Needle Clamp for left hand needle with 19250, for 19248.....	1 25
19250	1229	Needle Clamp Thread Guard for 19249.....	02
19251	1229	Oil Cup with 12486, for 19253.....	20
19252	1229	" " Extension for 19253.....	07
180	782	" " " Screw.....	03
1548D	1222	" " Nut.....	03
19253		" " complete, Nos. 1548D, 19251 & 19252	30
12485		" " with 12486, use 24022.....	25
19125		Oscillating Rock Shaft for 375c and 1902....	1 00
19126		" " " 19125 with 12388....	1 50
12443	1229	" " " Oil Pad for 16508....	01
16508	1229	" " " " " Holder with 12443.....	05
238D	782	Oscillating Rock Shaft Oil Pad Holder Ser.	01
19166	1203	" " " for 9080 and 1902....	1 00
19167		Oscillating Rock Shaft 19166 with 12388....	1 50
12390	1229	" Shaft Crank 19496 with 460c, 1518E and 1902.....	65
1902	783	Oscillating Shaft Crank Roller and Screw Stud.....	35
19133		Shuttle (outside) Bobbin Case complete, Nos. 591, 592E, 2521, 19135 and 19150, use 19170.....	75

## Obsolete Parts.

No.	Plate	Name	Each
19150		Shuttle (outside) Tension Spring, use 19172	40
19314		" " Bobbin Case complete, Nos. 591, 592w, 2521, 19172 and 19311, use 19313.	75
19141		Shuttle Race Body for 19140.	1 75
19142	1211	" " Ring (inside) for 19140.	1 50
19143	1211	" " " (outside) for 19140.	1 50
19144	1211	" " Loop Separator for 19140.	1 00
756b	1221	" " " " Screw for 19140	02
19140	1211	" " complete, Nos. 19141 to 19144, two each 756b, 907b, 2533, and four 2532, for 44-32 Machine.	6 00

NOTE: When ordering Nos. 19140 to 19144  
give gauge required.

19151	1229	Tension Plate for upper tension with 19152.	40
19152	1229	" " Stud.	10
19153	1229	" (upper) complete, No. 19151 with two each 637, 1547b, 1560b, 8238 and four 2102.	95
19254	787	Throat Plate for 19235.	1 25
19383		" " Body.	1 25
19378	790	" " Loop Separator.	1 00
19384	790	" " complete, Nos. 219, 19378 and 19383, use 20128.	2 25

## Numerical List of Parts.

No.	Plate	Name	Each
32b	782	Bobbin Winder Frame Hinge Screw for 19260 and 27651.	15
35b	1221	Bobbin Winder Stop Latch Hinge Screw for 27651.	07
58c	782	Feed Regulator Hinge Screw.	15
65b	782	Driving Arm Pitman Hinge Screw for 19264.	15
75b	782	Bobbin Winder Stop Latch Hinge Screw for 19260.	12
76b	782	Lifting Lever Connecting Rod Joint Hinge Screw for 16512 and 19331.	05
76b	782	Needle Bar Trip Lever Connection Joint Hinge Screw for 44-33 Machine.	05
90b	1221	Needle Bar Trip Lever Pitman Hinge Screw (lever end) for 44-33 Machine.	05
95b	1221	Needle Bar Trip Lever Pitman Hinge Screw (crank end) for 44-33 Machine.	05
130b	782	Starting Crank Shaft Bracket Screw (short) for 19264.	08
131b	1221	Tension Plate Screw.	06
138E	1101	Dress Guard Screw for 27644.	05
138b	1101	Thread Unwinder Spool Rest Set Screw for 27556.	05
138b	1101	Thread Unwinder Thread Guard Rod Set Screw for 27557.	05
144b	782	Arm Shaft Screw.	12
145E	782	Feed Lifting Rock Shaft Crank Connecting Rod Cap Screw.	01
145E	782	Oil Cup Screw for 27644.	04
145	782	Shuttle Race Screw.	04
152	782	Bobbin Winder Stop Latch Adjusting Screw for 19258.	03
157E	782	Feed Lifting Rock Shaft Crank (front) Clamping Screw.	01
158c	1206	Bed Frame Cushion Screw for 19399.	03
159	1221	Arm Spool Bracket Screw.	03
171	1221	Roller Needle Guard (round) Set Screw for 19210 to 19211.	03
176	1221	Roller Arm Lock Spring Screw for 19211 to 19214.	03
178c	782	Bell Crank Bracket Screw for 16512 & 19331	03
178c	782	Needle Bar Trip Lever Bell Crank Bracket Screw for 44-33 Machine.	03
180	782	Bobbin Winder Spring Screw for 19260.	03
180	782	Oil Cup Extension Screw for 19253.	03
185	1219	Thread Retainer Disc Cover Screw for 44-33 Machine.	02
187	1219	Needle Bar Trip Lever Connection Spring Collar Set Screw for 44-33 Machine.	02

## Numerical List of Parts.

No.	Plate	Name	Each
190b	782	Face Plate Screw.....	03
190d	782	Needle Bar Coupling Pin Lever Shaft Bracket Screw for 44-33 Machines.....	03
190d	782	Presser Foot Screw.....	03
190d	782	Roller Presser Screw.....	03
191c	1221	Feed Dog Screw.....	03
193	1221	Stay Guide Screw (A. and A.).....	03
207	1219	Guide Screw for 44-35 and 44-36 Machines.....	02
207	1219	Lap Seam Feller Holder Screw for 18118.....	02
207	1219	Needle Bar Coupling Pin Lever Hub Set Screw for 44-33 Machine.....	02
207	1219	Needle Bar Coupling Pin Rest Set Screw for 44-33 Machine.....	02
207	1219	Roller Needle Guard (flat) Screw for 19211 and 19213.....	02
209	1221	Needle Set Screw (right) for 19308.....	02
209	1221	" " " for 19276.....	02
211	1206	Bed Frame Hinge Connection Cap Screw for 19398.....	03
213	1221	Oil Cup Screw for 44-32 to 44-34 Machines...	03
219	790	Arm Side Cap Screw.....	02
219	790	Folder Holder Seat Cover Screw for 44-37 Machine.....	02
219	790	Guide Screw for 44-32 and 44-33 Machines...	02
219	790	Spool Holder Bracket Screw for 26041.....	02
219	790	Throat Plate Loop Separator Screw for 19384 and 20128.....	02
224	1219	Needle Bar Spring Collar Screw for 44-33 Machine.....	02
228d	1221	Presser Foot Extension Screw.....	02
228d	1221	Presser Foot Strip Gauge Screw for 19216...	02
229d	782	Oscillating Shaft Crank Slide Block Cap Ser.	02
238d	782	" Rock Shaft Oil Pad Holder Screw for 16508.....	01
240d	782	Throat Plate Spring Guide Screw for 19484...	01
286d	783	Arm Side Cover Thumb Screw.....	08
286d	783	Face Plate Thumb Screw.....	08
286d	783	Tape Holder Disc Thumb Screw for 26062...	08
286d	783	" " Tension Adjusting Collar Thumb Screw for 26073.....	08
287d	783	Spool Holder Bracket Thumb Screw for 26041	09
307c	783	Feed Lifting Rock Shaft Screw Centre.....	06
307c	783	" Rock Shaft Screw Centre.....	06
313c	783	" Bar Screw Centre.....	04
316	1221	Roller Arm Bracket Screw Centre for 19211 to 19214.....	03
330b	1221	Thread Unwinder Thread Guard Hub Set Screw for 27561.....	03
333d	782	Bobbin Winder Friction Wheel Washer Screw for 16515.....	04
337d	1221	Shuttle Race Needle Guard Screw for 44-34 and 44-36 Machines.....	02

## Numerical List of Parts.

No.	Plate	Name	Each
354c	1101	Treadle Pitman Rod Clamp Screw for 9079...	06
356c	783	Belt Guard Screw for 27644.....	06
356c	783	Driving Pulley Hollow Stud Set Ser. for 27644	06
356c	783	Rock Shaft Knee Arm Hub Set Ser. for 2766	06
356c	783	" " " Plate Set Screw for 2767...	06
356c	783	" " " Lifting Bracket Hook Set Screw for 6337.....	06
356c	783	Rock Shaft Lifting Bracket Set Ser. for 6337	06
356c	783	" " Stop Dog Set Screw for 2770.....	06
362	1221	Starting Crank Shaft Stop Collar Set Screw for 19263.....	05
362	1221	Treadle Stop Collar Set Screw for 2762.....	05
375c	782	Crank Connecting Rod Hinge Screw for 12365	12
375c	782	Feed Connecting Link Hinge Screw.....	12
375c	782	" Forked Connection Hinge Screw.....	12
375c	782	" Lifting Rock Shaft Crank Connecting Rod Hinge Screw.....	12
386d	1101	Roller Screw for 1839.....	08
397d	782	Oil Cover Screw for 19264.....	04
405e	1226	Lap Seam Feller Folder Slide Spring Screw...	02
418d	1221	Bobbin Winder Tension Screw Stud for 27308	08
427e	1101	Driving Arm Friction Plug Adjusting Ser. for 19260.....	08
427e	1101	Lever Centre Plug Adjusting Screw for 27644	08
430c	1144	Thread Take-up Lever Link Hinge Pin Set Screw.....	04
440	1221	Roller Arm Adjusting Screw for 19211 to 19214	03
446c	783	Feed and Feed Lifting Eccentric Set Screw for 12428 and 19275.....	03
446c	783	Feed Cam and Feed Lifting Eccentric Set Screw for 12197.....	03
448c	783	Arm Shaft Flanged Bushing (back) Set Ser...	03
448c	783	Balance Wheel Set Screw.....	03
448c	783	Lifting Lever Pin Set Screw for 16510.....	03
448c	783	Oscillating Rock Shaft Hinge Pin Set Screw	03
448c	783	Thread Take-up Spring Regulator " " "	03
449c	1221	" Unwinder Thread Guard " " " for 27561.....	02
453c	783	Needle Bar Connecting Stud Set Ser. for 12384	02
453c	783	Presser " Guide Bracket Set Screw.....	02
453c	783	Shuttle Driver Set Screw.....	02
460	783	Needle Set Screw (left) for 19308.....	02
460	783	" " " for 19124.....	02
460c	783	Oscillating Shaft Crank Set Screw.....	02
462c	1221	Feed Lifting Rock Shaft Crank (back) Set Screw.....	02
462c	1221	Feed Rock Shaft Crank Set Screw.....	02
465c	1227	Presser Foot Bracket Set Screw for 19477...	01
468	1219	Needle Clamp Thread Guide Set Ser. for 19461	02
591	1216	Shuttle Tension Regulating Screw.....	02

## Numerical List of Parts.

No.	Plate	Name	Each
592E	1216	Shuttle Bobbin Case Latch and Position Finger Stop Screw.....	02
597C	1221	Shaft Driving Pulley Clamping Ser. for 27070	08
620	1219	Needle Set Screw for right hand needle, for 44-33 Machine.....	02
634D	1221	Roller Screw for 1875.....	08
651E	1221	Shuttle Race Slide Friction Spring Screw for 19148, 19185 and 19189.....	01
662E	782	Shuttle Race Slide (outside) Friction Spring Screw for 19322, 19491 and 19492.....	01
665D	1219	Needle Bar Thread Guide Screw for 19460.....	02
688E	783	Pressure Regulating Thumb Screw.....	25
689C	782	Presser Bar Lifter Hinge Screw.....	08
690E	1144	Thread Take-up Crank Wedge Screw.....	05
691	782	Shuttle Race Slide Guide Screw for 44-32, 44-33 and 44-35 Machines.....	04
691	782	Throat Plate Screw.....	04
692D	783	Bracket Screw for 16530.....	12
693D	782	Driving Arm Hinge Screw for 19260.....	40
696E	782	Needle Bar Plug Screw for 18911.....	03
735D	1227	Presser Foot Guide Set Screw for 4460.....	02
736D	1221	Tape Holder Foot Screw for 26064 & 26325.....	10
748E	782	Arm Screw (back).....	08
756D	1221	Shuttle Race Loop Separator Screw for 19140	02
766D	782	Lifting Lever Link Hinge Screw for 16512 and 19331.....	05
775E	1144	Thread Take-up Lever Cap Screw.....	06
794C	1144	Needle Bar Connecting Link Adjusting Ser.	03
802D	782	Lifting Lever Hinge Screw for 16512 & 19331	12
802D	782	Needle Bar Trip Lever Hinge Screw for 44-33 Machine.....	12
818D	783	Feed Regulator Thumb Screw.....	12
855C	783	Needle Bar Crank Timing Screw.....	10
858C	783	" " " Set Screw.....	03
860E	782	Presser Bar Plug Screw.....	03
868E	1221	Arm Screw (front).....	10
878D	783	Oscillating Rock Shaft Hinge Pin Oil Hole Stop Screw.....	06
896E	1221	Crank Connecting Rod Cap Screw.....	04
905D	1218	Thread Guide Screw for 19162.....	04
907D	1221	Shuttle Race Ring Spring Screw.....	05
908C	1221	Crank Connecting Rod Hinge Screw.....	12
914	1221	Shuttle Race Slide Guide Screw for 19189.....	04
916	1146	Tension Screw Stud.....	08
930E	1219	Needle Bar Connecting Stud Screw for 44-33 Machine.....	04
931D	1219	Needle Bar Screw Bushing for 44-33 Mach..	10
932D	1221	Starting Crank Shaft Bracket Screw (long) for 19264.....	08
934D	1221	Shuttle Race Loop Separator Screw for 19282.....	02

## Numerical List of Parts.

No.	Plate	Name	Each
936D	1221	Needle Bar Screw Bushing for 44-32 & 44-34 to 44-37 Machines.....	06
955C	1101	Driving Pulley Screw Centre Bearing for 27630.....	08
969C	1208	Oscillating Shaft Crank Slide Block Screw Stud.....	15
979D	1221	Bed Frame Thumb Screw for 19399.....	20
994	1219	Needle Set Screw for left hand needle, for 44-33 Machine.....	03
1508C	783	Driving Arm Friction Plug Adjusting Screw Nut for 19260.....	06
1508C	783	Lever Centre Plug Adjusting Screw Nut for 27644.....	06
1513C	783	Feed Lifting Rock Shaft Screw Centre Nut.	05
1513C	783	" Rock Shaft Screw Centre Nut.....	05
1518E	783	Crank Connecting Rod Hinge Screw Nut for 375C.....	04
1518E	783	Feed Connecting Link Hinge Screw Nut.....	04
1518E	783	" Forked Connection Hinge Screw Nut..	04
1518E	783	" Lifting Rock Shaft Crank Connecting Rod Hinge Screw Nut.....	04
1518E	783	Oscillating Shaft Crank Slide Block Screw Stud Nut.....	04
1519E	783	Feed Bar Screw Centre Nut.....	03
1520C	783	Presser Bar Lifter Hinge Screw Nut.....	03
1521E	1222	Lifting Lever Connecting Rod Lock Nut for 16512 and 19331.....	03
1521E	1222	Needle Bar Trip Lever Connection Lock Nut for 44-33 Machine.....	03
1541E	1222	Tape Spool Fixture Regulating Thumb Nut for 4517.....	05
1547D	1146	Roller Arm Adjusting Screw Nut for 19211 to 19214.....	03
1547D	1146	Roller Arm Bracket Screw Centre Nut for 19211 to 19214.....	03
1547D	1146	Tension Screw Stud Nut.....	03
1548D	1222	Oil Cup Nut for 19251.....	03
1548D	1222	Roller Screw Nut for 1839 and 1875.....	03
1549D	1222	" Arm Lock Spring Screw Nut for 19211 to 19214.....	03
1550	783	Bobbin Winder Stop Latch Adjusting Screw Nut for 19258.....	03
1560C	1146	Tension Regulating Thumb Nut.....	04
1562D	1222	Bobbin Winder Tension Regulating Thumb Nut for 27308.....	04
1579C	783	Driving Arm Hinge Screw Nut for 19260.....	08
1607D	1227	Presser Foot Stop Nut for 19478.....	03
1619E	1222	Crank Connecting Rod Hinge Screw Nut...	05
1839	1210	Roller, 1 1/2-in. diam., with 386D and 1548D, for 19211 and 19212.....	40

## Numerical List of Parts.

No.	Plate	Name	Each
1875	1210	Roller, 1½-in. diam., with 634b and 1548b, for 19213 and 19214.....	60
1902	783	Oscillating Shaft Crank Roller and Screw Stud for 12390.....	35
1904	1144	Needle Bar Connecting Stud Roller (roller only).....	12
2018	1101	Belt Guard Screw Washer for 27644.....	01
2022	1220	Driving Arm Pitman Crank Pin for 19262.....	01
2022	1220	Starting Crank Pin for 19262.....	01
2049	1220	Feed Lifting Rock Shaft Crank (back) Pin.....	01
2049	1220	Feed Rock Shaft Crank Pin.....	01
2049	1220	Oscillating Shaft Crank Pin.....	01
2049	1220	Shuttle Driver Pin.....	01
2062	1145	Presser Bar Lifter.....	25
2106	1220	Bobbin Winder Tension Thread Guide for 27308.....	01
2269	1146	Bobbin Winder Stop Latch Stop Pin for 16518.....	01
2269	1146	Tension Releasing Lever (intermediate) Hinge Pin.....	01
2273	1219	Needle Bar Coupling Pin Lever Shaft Crank Pin for 44-33 Machine.....	01
2273	1219	Needle Clamp Pin.....	01
2415	1200	Arm Spool Bracket.....	25
2455	1220	Bobbin Winder Tension Disc for 27308.....	02
2521	1216	Shuttle Bobbin Case Latch and Position Finger Spring.....	02
2532	1220	Shuttle Race Ring Position Pin..... per 100.....	10
2533	1215	" " " Spring.....	15
2762	1206	Treadle Stop Collar with 362, for 14233, 15130 and 27640.....	10
2763	766	Rock Shaft for 2777 and 4880.....	10
2765	766	" " Knee Arm for 2768.....	10
2766	766	" " " " Hub with 356c, for 2768.....	15
2767	766	Rock Shaft Knee Plate with 356c, for 2768.....	18
2768	"	" " " Arm 2765 with 2766 and 2767, for 2777.....	40
2770	766	Rock Shaft Stop Dog with 356c, for 2777 and 4880.....	12
2777	766	Rock Shaft complete, No. 2763 with 2768, 2770, 2778, 6337 and two 12242, for 16512.....	1 00
2778	766	Rock Shaft Lifting Bracket Hook for 2777.....	05
2877	1230	Treadle Pitman Rod (upper) for 15130.....	05
2878	363	" Stand for 27642.....	15
2921	1146	Tension Disc.....	05
2923	1146	" Spring.....	03
2928	1207	Driving Arm Brake (leather) for 16518.....	05
3033	1145	Feed Connecting Link.....	20
3039	768	" Regulator.....	25
3043	1208	" Rock Shaft Crank with 462c.....	15

## Numerical List of Parts.

No.	Plate	Name	Each
3094	1144	Thread Take-up Crank Wedge.....	10
4347	1161	Wrench for 1513 and 1518 (A & A).....	15
4460	1227	Presser Foot Guide with 735c, for 19478.....	75
4461	1227	" " Spring for 19478.....	02
4462	1227	" " " Screw Bushing for 19478.....	15
4515		Throat Plate Spring Guide for 19481.....	25
4516		Tape Spool Fixture (wire) with fixed cone for 4517.....	60
4517	1205	Tape Spool Fixture 4516 with 1541b, 4518 and 8019 (A & A).....	75
4518	1206	Tape Spool Fixture Cone for 4517.....	10
4715		Spool Fixture (wire) with two 10145, for 4716.....	55
4716	1205	" " 4715 with two 4717 and three 4718 (A & A).....	75
4717		Spool Fixture Flange for 4716.....	10
4718		Spool Fixture Washer (felt) for 4716.....	01
*4766		Needle Bar Coupling for 19237 and 19466.....	30
4768	1219	" " " Pin Lever for 44-33 Mach.....	03
4777		Roller Arm Bracket for 19213.....	35
4784	1101	Oscillating Rock Shaft Oil Pad.....	01
4822	1207	Wrench for 1547, 1548 and 1549 (A, and A.).....	05
4840	1219	Needle Bar Spring for left hand needle, for 44-33 Machine.....	02
4879	1203	Chain Connecting Link for 4885.....	03
4880	1231	Rock Shaft complete for 19331.....	1 00
4881	1231	Treadle for 4885.....	30
4882	1203	" Shaft for 4885.....	05
4883	1203	" Spring " ".....	10
4884	1231	" Stand " ".....	25
4885	1231	" complete for 19331.....	75
5596	768	Bell Crank for 5598.....	05
5596	768	Needle Bar Trip Lever Bell Crank for 5598.....	05
5598	768	Bell Crank 5596 with 5599, 5601 and 5602, for 16512 and 19331.....	20
5598	768	Needle Bar Trip Lever Bell Crank 5596 with 5599, 5601 and 5602, for 44-33 Machine.....	20
5599	768	Bell Crank Bracket for 5598.....	08
5599	768	Needle Bar Trip Lever Bell Crank Bracket for 5598.....	08
5601	1220	Bell Crank Hinge Pin for 5598.....	01
5601	1220	Needle Bar Trip Lever Bell Crank Hinge Pin for 5598.....	01
5602	1220	Bell Crank Spring for 5598.....	02
5602	1220	Needle Bar Trip Lever Bell Crank Spring.....	02
5670		Foot Lever Chain, length 26 in. to 35 in., for 19331.....	15
5960	768	Bobbin Winder Friction Wheel (leather) for 16515.....	10
5961	768	Bobbin Winder Friction Wheel Washer for 16515.....	05
5963	768	Bobbin Winder Spindle Flange for 16515.....	06



No.	Plate	Name	Each
6312	1219	Needle Bar Trip Lever Connection Spring Washer for 44-33 Machine.....	03
6337	766	Rock Shaft Lifting Bracket with two 356c, for 2777 and 4880.....	20
7071	1220	Guide Screw Washer.....	01
7071	1220	Stay Guide Screw Washer (A. and A.).....	01
7125	1231	Rock Shaft Lifting Bracket Hook for 4880.....	15
7336	1218	Thread Take-up Spring Regulator.....	25
7556	1210	Roller Arm Lock Spring for 19211 to 19214.....	05
7958	1220	Balance Wheel Friction Ring Stop Pin for 16592.....	01
7958	1220	Driving Pulley Screw Centre Bearing Dowel Pin for 27630.....	01
7958	1220	Driving Pulley Friction Ring Stop Pin for 27630.....	01
8019	1206	Tape Spool Fixture Spring for 4517.....	02
8505	1227	Lap Seam Feller Holder Spring Rivet for 18118.....per 100..	10
8582	1220	Arm Dowel Pin.....	02
8908	1161	Wrench for 1520 (A. and A.).....	10
9079	362	Treadle Pitman Rod Clamp with 354c, for 14233, 15130 and 27640.....	12
9082	1101	Treadle Bearing Cotter Pin for 27642.....	01
9534	1219	Needle Bar Trip Lever Connection Spring for 44-33 Machine.....	06
9543	1219	Thread Retainer Disc for 19234.....	02
9544	1219	“ “ “ Cover for 19234.....	12
9545	1219	“ “ “ Spring “ “.....	05
10141	1220	Bobbin Winder Tension Spring for 27308.....	01
10145	1220	Spool Fixture Thread Eyelet for 4715.....	01
10236	1207	Driving Friction Pulley Centre Bearing for 16594.....	09
10874	1205	Tweezers (A. and A.).....	10
*11104	—	Arm Shaft Bushing (front).....	30
11119	1220	“ Oil Tube for oiling 19156.....	10
11167	1203	Presser Bar Spring (spiral) light (.051 wire).....	05
11170	1220	“ “ “ Washer.....	01
11204	1144	Thread Take-up Lever Link Hinge Pin.....	15
11241	1203	Arm Spool Bracket Washer (cloth).....per 100	25
11241	1203	Bobbin Winder Spool Washer (cloth) for 27308.....per 100..	25
12123	1201	Feed Forked Connection for 44-32 to 44-34 Machines.....	60
12139	1203	Presser Bar Spring (spiral) medium (.055 wire).....	05
12149	1218	Tension Thread Guard.....	05
12152	1220	Thread Guard Rivet.....per 100..	10
12166	1144	“ Take-up Lever Hinge Pin.....	05
12170	1207	Bobbin Winder Spring for 19260.....	03
12178	1101	Driving Arm Friction Plug (wood) for 19260.....	01

No.	Plate	Name	Each
12178	1101	Lever Centre Plug (wood) for 27644.....	01
12188	768	Oil Cover for 19264.....	05
12189	768	Starting Crank for 19262.....	15
12193	1202	Arm Side Cover.....	10
12197	1203	Feed Cam and Feed Lifting Eccentric with 446c, for 44-32 to 44-34 Machines.....	50
12200	1208	Feed Lifting Rock Shaft Crank (back) with 462c, for 44-35 to 44-37 Machines.....	20
*12204	—	Feed Lifting Rock Shaft Crank Connecting Rod Cap.....	
12210	1145	Lifting Lever Pin for 16512 and 19331.....	05
12241	1145	“ “ Link “ “ “ “.....	10
12242	766	Rock Shaft Hanger with two wood screws, 1½-in. No. 10, for 2777 and 4880.....	08
12243	1231	Rock Shaft Lifting Bracket Hook for 4880.....	15
12326	1145	Presser Bar Guide Bracket with 453c.....	25
12327	1145	“ “ Lifting and Releasing Lever Bracket.....	50
12329	1145	Tension Releasing Lever Spring.....	02
12357	1203	Arm Shaft Flanged Bushing (back).....	25
12358	—	Balance Wheel, light rim, 2½-in. pulley, with two 448c.....	75
12359	1200	Balance Wheel, light rim, 3-in. pulley, with two 448c.....	75
12361	1207	Machine Hinge Connection for 12363.....	15
12362	1207	“ “ Plate for 12363.....	15
12363	—	“ “ complete, Nos. 12361, 12362 & two wood screws, 1½-in. No. 14 (A. & A.).....	30
12365	1201	Crank Connecting Rod for 375c (obsolete).....	1 35
12382	1144	Needle Bar Connecting Link with 794c.....	50
12383	—	“ “ “ Stud.....	40
12384	1144	“ “ “ “ 12383 with 453c and 1904, for 44-32 & 44-34 to 44-37 Machs.....	50
12385	1203	Needle Bar Crank with 855c and 858c.....	80
12388	1203	Oscillating Rock Shaft Hinge Pin.....	50
12390	1229	“ Shaft Crank 19496 with 460c, 1518c and 1902 (obsolete).....	65
12391	1203	Presser Bar (hollow).....	80
12397	1145	Tension Releasing Lever.....	20
12398	1145	“ “ “ Hinge Pin.....	01
12403	1220	Arm Spool Bracket Spool Pin and Thread Eyelet.....	05
12404	1144	Thread Take-up Crank.....	80
12405	1207	Machine Rest, felt (A. & A.).....	02
12409	1144	Thread Take-up Lever Link.....	25
12415	768	Lifting Lever Connecting Rod for 16512 and 19331.....	08
12415	768	Needle Bar Trip Lever Connection for 44-33 Machine.....	08
12416	1145	Lifting Lever Connecting Rod Joint for 16512 and 19331.....	08





## Numerical List of Parts.

No.	Plate	Name	Each
19213	1209	Roller Presser complete, $\frac{1}{2}$ -in. roller, for $\frac{1}{2}$ -in. to $\frac{1}{16}$ -in. gauge, for 44-32 to 44-34 Machines.....	2 25
19214	1209	Roller Presser complete, $\frac{1}{2}$ -in. roller, for $\frac{3}{2}$ -in. to $\frac{1}{4}$ -in. gauge, for 44-32 to 44-34 Machines.....	1 85
19215	1228	Guide for collars and cuffs, for 44-35 and 44-36 Machines.....	30
19216	1225	Presser Foot with 228b, for strip gauge, for 44-35 and 44-36 Machines.....	1 00
19219	1206	Bed Frame Cushion (leather) for 19399.....	05
19220	1206	" " " Spring " " ".....	05
19221	1161	Wrench for 936 and 1619 (A. & A.).....	15
19226	1206	Bed Frame Hinge Connection for 19398.....	15
19230	1228	Guide for 44-32 and 44-33 Machines.....	15
19231	1146	Tension Releasing Lever (intermediate) Hinge Block for 19191.....	-
*19232	-	Arm for 44-33 Machine.....	4 25
19233	-	Face Plate.....	75
19234	1202	" " 19233 complete for 44-33 Machine.....	1 25
19235	787	Feed Dog with 19118, for 44-33 Machine (obsolete).....	1 25
19236	-	Feed Lifting Rock Shaft 16504 with 16556 and 19120, for 44-32 to 44-34 Machines.....	1 65
*19237	-----	Needle Bar for right hand needle with 4766, for 19248 (obsolete).....	---
*19238	-----	Needle Bar for left hand needle for 19248 (obsolete).....	---
19239	-----	Needle Bar Connecting Stud for 19240.....	40
19240	1219	" " " " 19239 with 1904, for 44-33 Machine.....	50
19241	1229	Needle Bar Coupling Pin for 19248 (obsolete).....	10
19242	1229	Needle Bar Coupling Pin Lever Bell Crank with 19244, for 44-33 Machine (obsolete).....	50
19243	1229	Needle Bar Coupling Pin Lever Bell Crank Bracket for 44-33 Machine (obsolete).....	2 00
19244	1220	Needle Bar Coupling Pin Lever Bell Crank Washer for 19242 (obsolete).....	01
19245	1229	Needle Bar Coupling Pin Lever Hub for 44-33 Machine (obsolete).....	20
19246	1219	Needle Bar Coupling Pin Rest for 44-33 Machine.....	05
19247	1219	" " Spring Collar for 44-33 Machine.....	15
19248	-----	" " complete, for 44-33 Machine (obsolete) use 19458.....	5 00
19249	1229	Needle Clamp for left hand needle with 19250, for 19248 (obsolete).....	1 25
19250	1229	Needle Clamp Thread Guard for 19249 (obsolete).....	02
19251	1229	Oil Cup with 12486, for 19253 (obsolete).....	20
19252	1229	" " Extension for 19253 " ".....	07
19253	-----	" " complete, Nos. 1548b, 19251 and 19252 (obsolete).....	30

## Numerical List of Parts.

No.	Plate	Name	Each
19254	787	Throat Plate for 19235 (obsolete).....	1 25
19255	1201	Needle Bar Trip Lever for 44-33 Machine.....	35
19256	1219	" " " " Connection Spring Collar with 187, for 44-33 Machine.....	17
19257	-----	Needle Bar Trip Lever Pitman for 44-33 Machine (obsolete).....	50
19258	1207	Bobbin Winder Stop Latch with 152 & 1550, for 19260.....	50
19259	1201	Driving Arm Pitman Crank for 19262.....	15
19260	-----	" " complete, for 19264.....	3 00
19261	1201	Starting Crank Shaft Bracket for 19262.....	35
19262	-----	" " " " complete for 19264.....	1 00
19263	1207	Starting Crank Shaft Stop Collar with 362, for 19262.....	10
19264	-----	Driving Attachment complete.....	5 00
19274	788	Feed Dog with 19118, for $\frac{1}{16}$ -in. to $\frac{9}{16}$ -in. gauge, for lap seam feller, for 44-35 Mach.....	1 50
19275	1203	Feed and Feed Lifting Eccentric with 4460, for 44-35 Machine.....	50
19276	1218	Needle Clamp with two 209, for $\frac{7}{8}$ -in. gauge and above, for 44-35 to 44-37 Machines.....	1 25
19277	-----	Shuttle Race Body for 19282.....	1 75
19278	1212	" " Loop Separator for 19282.....	1 50
19279	1212	" " Ring (inside) " ".....	1 50
19280	1212	" " " (outside) " ".....	1 50
19281	1204	" " Slide " " $\frac{1}{2}$ -in. to $\frac{1}{4}$ -in. gauge, for 44-35 Machine.....	25
19282	1212	Shuttle Race complete for 44-32, 44-33 and 44-35 Machines.....	6 00
19283	788	Throat Plate for 19274.....	1 50
19287	786	" " " 19338.....	1 50
19288	786	" " " 19339.....	1 50
19289	788	" " " 19344.....	1 50
19290	789	" " " 19343.....	1 50
19291	789	" " " 19341.....	1 50
19294	1226	Lap Seam Feller Folder Slide Spring (A. & A.).....	05
19295	790	Feed Dog with 19118, for $\frac{3}{8}$ -in. to $\frac{5}{8}$ -in. gauge, for vamping, for 44-32 Machine.....	1 25
19296	790	Throat Plate with Loop Separator (solid) for 19295.....	1 50
*19303	-----	Bed for 44-34 and 44-36 Machines.....	4 50
19304	-----	Face Plate.....	50
19305	1202	" " 19304 complete, for 44-34, 44-36 and 44-37 Machines.....	1 00
19306	790	Feed Dog with 19118, $\frac{1}{2}$ -in. to $\frac{3}{8}$ -in. gauge, for vamping, for 44-34 Machine.....	1 25
19307	-----	Feed and Feed Lifting Eccentric with 4460, for 44-36 Machine (obsolete).....	50
19308	1218	Needle Clamp with 209 and 460, for $\frac{7}{8}$ -in. gauge and above, for 44-32 and 44-34 Mchs.....	1 25

No.	Plate	Name	Each
19309	1213	Shuttle Race Needle Guard for 19323 and 24013.....	25
19310	1217	Shuttle (inside) Bobbin Case Latch and Position Finger for 19313.....	35
19311	1217	Shuttle (outside) Bobbin Case Latch and Position Finger for 19313.....	35
19312	1217	Shuttle (inside) Bobbin Case complete for 19324.....	75
19313	1217	Shuttle (outside) Bobbin Case complete for 19325 and 19326.....	75
19314	-	Shuttle (outside) Bobbin Case complete (obsolete) use 19313.....	75
19315	-	Shuttle Race Body for 19323 and 24013.....	1 75
19316	1213	" " Loop Separator for 19323.....	15
19317	1213	" " Ring (inside) " 19309, 19323 and 24013.....	1 50
19318	1213	Shuttle Race Ring (outside) for 19323, 24013 and 24014.....	1 50
19319	1204	Shuttle Race Slide (inside) for 44-34, 44-36 and 44-37 Machines.....	35
19320	1220	Shuttle Race Slide (inside) Stop Stud for 44-34, 44-36 and 44-37 Machines.....	05
19321	1220	Shuttle Race Slide (inside) Stop Stud Spring for 44-34, 44-36 and 44-37 Machines.....	02
19322	1204	Shuttle Race Slide (outside) with 662c and 19147, for $\frac{7}{16}$ -in. gauge and below, for 44-34, 44-36 and 44-37 Machines.....	30
19323	1213	Shuttle Race complete, for $\frac{3}{8}$ -in. to $\frac{3}{16}$ -in. gauge, for 44-36 and 44-37 Machines.....	5 00
19324	1217	Shuttle (inside) $1\frac{1}{16}$ -in. diam., No. 19136 with 19131 and 19312, for 44-34, 44-36 and 44-37 Machines.....	1 50
19325	1217	Shuttle (outside) $1\frac{1}{16}$ -in. diam., No. 19137 with 19131 and 19313, for $\frac{3}{8}$ -in. gauge and above, for 44-34, 44-36 and 44-37 Machines.....	1 50
19326	1217	Shuttle (outside) $1\frac{1}{16}$ -in. diam., No. 19171 with 19131 and 19313, for $\frac{1}{2}$ -in. to $\frac{5}{16}$ -in. gauge, for 44-34, 44-36 and 44-37 Machs.....	1 50
19327	1220	Thread Guard (lower) for 19305.....	25
19329	791	Feed Dog with 19118, for 44-37 Machine.....	1 50
19330	791	Throat Plate for 19329.....	1 50
19331	-	Foot Lifter complete.....	2 85
19333	1223	Presser Foot for inside stays, for 44-32 and 44-34 Machines.....	1 50
19337	1219	Thread Retainer Thread Guard for 19234.....	05
19338	786	Feed Dog with 19118, for $\frac{3}{8}$ -in. to $\frac{3}{16}$ -in. gauge, for general work, for 44-35 Mach.....	1 50
19339	786	Feed Dog with 19118, for $\frac{3}{8}$ -in. to $\frac{5}{16}$ -in. gauge, for general work, for 44-35 Mach.....	1 50
19340	785	Feed Dog with 19118, for $\frac{3}{16}$ -in. to $\frac{1}{2}$ -in. gauge, for lap seam feller, for 44-35 Mach.....	1 50

No.	Plate	Name	Each
19341	789	Feed Dog with 19118, for $\frac{1}{4}$ -in. to $\frac{1}{2}$ -in. gauge, for knit goods and general work, for 44-35 Machine.....	1 50
19342	785	Feed Dog with 19118, for $\frac{1}{4}$ -in. to $\frac{3}{16}$ -in. gauge, for collars and cuffs, for 44-35 Machine.....	1 50
19343	789	Feed Dog with 19118, for $\frac{1}{4}$ -in. to $\frac{7}{32}$ -in. gauge, for general work, for 44-35 Mach.....	1 50
19344	788	Feed Dog with 19118, for $\frac{1}{4}$ -in. to $\frac{3}{16}$ -in. gauge, for lap seam feller, for 44-35 Mach.....	1 50
19378	790	Throat Plate Loop Separator for 19384 (obsolete).....	1 00
19379	-	Shuttle Race Body for 19382 and 24014.....	1 75
19380	1214	" " Ring (inside) for 19382 & 24014.....	1 50
19381	1214	" " " (outside) " 19382.....	1 50
19382	1214	" " complete, for $\frac{3}{8}$ -in. to $\frac{5}{16}$ -in. gauge, for 44-34, 44-36 and 44-37 Machs.....	5 00
19383	-	Throat Plate Body for 19384 (obsolete).....	1 25
19384	790	" " complete, Nos. 219, 19378 and 19383 (obsolete) use 20128.....	2 25
19385	1204	Shuttle Race Slide (outside) for $\frac{3}{16}$ -in. to $1\frac{1}{4}$ -in. gauge, for 44-35 Machine.....	25
19386	1203	Oscillating Rock Shaft.....	1 00
19387	-	" " " 19386 with 4784 and 12388.....	1 50
19388	1208	Oscillating Shaft Crank 19496 with 460c, 1518e and 19390.....	80
19389	1208	Oscillating Shaft Crank Slide Block.....	35
19390	1208	" " " " " 19389 with 229b, 969c and 12424.....	50
19395	791	Feed Dog with 19118, for general work, for 44-37 Machine.....	1 50
19396	791	Throat Plate for 19395.....	1 50
19397	1206	Bed Frame Hinge Connection Cap for 19398.....	03
19398	-	" " " " 19226 with 211 and 19397, for 19399.....	20
19399	1231	Bed Frame complete.....	2 35
19450	792	Feed Dog with 19118, for 44-36 Machine.....	1 50
19451	792	Throat Plate for 19450.....	1 50
19452	1219	Needle Bar Coupling Pin for 44-33 Machine.....	10
19453	1219	" " " " Lever Hub with 207, for 44-33 Machine.....	20
19454	1219	Needle Bar Coupling Pin Lever Shaft for 44-33 Machine.....	05
19455	1219	Needle Bar Coupling Pin Lever Shaft Bracket for 44-33 Machine.....	2 00
19456	1219	Needle Bar Coupling Pin Lever Shaft Crank for 19457.....	20
19457	-	Needle Bar Coupling Pin Lever Shaft 19454 with 2273 and 19456, for 44-33 Machine.....	25
19458	1205	Needle Bar complete, for $\frac{3}{8}$ -in. to $\frac{3}{4}$ -in. gauge, for 44-33 Machine.....	5 00

No.	Plate	Name	Each
19459	1219	Needle Clamp for left hand needle with 468, 994 and 19461, for $\frac{3}{8}$ -in. to $\frac{5}{16}$ -in. gauge, for 44-33 Machine.....	1 25
19460	1219	Needle Bar Thread Guide for 19458, 24017 and 24018.....	20
19461	1219	Needle Clamp Thread Guide for 19459 and 24015.....	01
19469	1203	Needle Bar Trip Lever Pitman for 44-33 Machine.....	50
*19465	---	Needle Bar for right hand needle with 620, for 44-33 Machine.....	
*19466	---	Needle Bar for left hand needle with 4766, for 44-33 Machine.....	
19468	792	Feed Dog with 19118, for general work, for 44-37 Machine.....	1 50
19469	792	Throat Plate for 19468.....	1 50
19470	793	Feed Dog with 19118, $\frac{3}{8}$ -in. to $\frac{5}{16}$ -in. gauge, for shoe staying, for 44-34 Machine.....	1 50
19471	793	Throat Plate for 19470.....	1 50
19476	1227	Presser Foot for 19478.....	2 50
19477	1227	" " Bracket with 465c, for 19478.....	1 60
19478	1227	" " complete (spring presser) Nos. 1607d, 4460 to 4462, 19476 and 19477, for 44-32 and 44-34 Machines.....	5 00
19479	793	Feed Dog with 19118, for staying overgaiters, for 44-35 Machine.....	1 50
19480	1223	Presser Foot for staying overgaiters, for 44-35 Machine.....	1 50
19481	793	Throat Plate with 4515, for 19479.....	1 50
19482	794	Feed Dog with 19118, for rounding overgaiters, for 44-35 Machine.....	1 50
19483	1223	Presser Foot for rounding overgaiters, for 44-35 Machine.....	1 50
19484	794	Throat Plate with 240b, 19485 and 19486, for 19482.....	2 50
19485	---	Throat Plate Arm for 19484.....	15
19486	---	Throat Plate Spring Guide for 19484.....	50
19491	1202	Shuttle Race Slide (outside) with 662e and 19147, for $\frac{1}{2}$ -in. to $\frac{1}{4}$ -in. gauge, for 44-34, 44-36 and 44-37 Machines.....	30
19492	1202	Shuttle Race Slide (outside) with 662e and 19147, for $\frac{3}{8}$ -in. to $\frac{1}{4}$ -in. gauge, for 44-34, 44-36 and 44-37 Machines.....	30
19494	794	Feed Dog with 19118, for knit goods and general work, for 44-37 Machine.....	1 50
19495	794	Throat Plate for 19494.....	1 50
19496	---	Oscillating Shaft Crank.....	25
20023	1203	Presser Bar Spring (spiral) heavy (.063 wire).....	05
20044	---	" Foot Plate for 20045.....	1 00
20045	1223	" " (hinged) Nos. 20044, 26275 and 26276, for 44-35 and 44-37 Machines.....	1 75

No.	Plate	Name	Each
20046	1223	Presser Foot (tube) for 44-35 Machine.....	2 00
20047	---	" " Plate for 20049.....	2 00
20048	---	" " Shank " ".....	15
20049	1224	" " (tube) hinged, Nos. 20047, 20048, 26231 and 26276, for 44-35 Machine.....	2 75
20050	1224	Presser Foot (tube) for taping, for 44-35 Mach.....	2 00
20051	1223	" " with keel, slotted for tape, for staying, for 44-32 and 44-34 Machines.....	1 75
20052	1224	Presser Foot, for outside stays and strips, for 44-35 Machine.....	1 50
20053	1224	Presser Foot (strip) for boning, for 44-35 Machine.....	1 75
20055	795	Feed Dog with 19118, for general work, for 44-37 Machine.....	1 50
20056	795	Throat Plate for 20055.....	1 50
20068	795	Feed Dog with 19118, for $\frac{5}{16}$ -in. to $\frac{7}{16}$ -in. gauge, for boning and corset strip, for 44-35 Machine.....	1 50
20069	795	Throat Plate for 20068.....	1 50
20070	796	Feed Dog with 19118, for $\frac{3}{8}$ -in. to $\frac{5}{16}$ -in. gauge, one long and one short row of teeth, for vamping, for 44-33 Machine.....	1 50
20071	796	Throat Plate for 20070.....	1 50
20072	796	Feed Dog with 19118, for $\frac{5}{16}$ -in. to $\frac{1}{2}$ -in. gauge, two long rows of teeth, for 44-35 Machine.....	1 50
20073	796	Throat Plate for 20072.....	1 50
20074	797	Feed Dog with 19118, for $\frac{3}{8}$ -in. to $\frac{1}{2}$ -in. gauge, for knit goods and general work, for 44-35 Machine.....	1 50
20075	797	Throat Plate for 20074.....	1 50
20076	797	Feed Dog with 19118, for $\frac{3}{8}$ -in. to $\frac{1}{2}$ -in. gauge, two long and two short rows of teeth, for heavy lap seam feller, for 44-35 Machine.....	1 50
20077	797	Throat Plate for 20076.....	1 50
20080	798	Feed Dog with 19118, for $\frac{3}{8}$ -in. to $\frac{5}{16}$ -in. gauge (used with 19478) for 44-32 Machine.....	1 50
20081	798	Throat Plate for 20080.....	1 50
20082	798	Feed Dog with 19118, for $\frac{7}{8}$ -in. to $\frac{5}{16}$ -in. gauge, for collars & cuffs, for 44-35 Mach.....	1 50
20083	798	Throat Plate for 20082.....	1 50
20084	799	Feed Dog with 19118, for $\frac{3}{4}$ -in. to $1\frac{1}{8}$ -in. gauge, three long and two short rows of teeth, for general work, for 44-35 Machine.....	1 50
20085	799	Throat Plate for 20084.....	1 50
20086	799	Feed Dog with 19118, for $\frac{5}{16}$ -in. to $\frac{5}{8}$ -in. gauge, for heavy bolting cloth, for 44-35 Machine.....	1 50
20087	799	Throat Plate for 20086.....	1 50
20088	800	Feed Dog with 19118, for $\frac{3}{4}$ -in. to $1\frac{1}{8}$ -in. gauge, three long and two short rows of teeth, for heavy lap seam feller, for 44-35 Mach.....	1 75

## Numerical List of Parts.

No.	Plate	Name	Each
20089	800	Throat Plate for 20088.....	1 50
20103	800	Feed Dog with 19118, for $\frac{3}{32}$ -in. to $\frac{1}{4}$ -in. gauge, for lap seam feller, for 44-35 Machine....	1 50
20104	800	Throat Plate for 20103.....	1 50
20108	801	Feed Dog (spiked teeth) with 19118, for $\frac{3}{32}$ -in. to $\frac{1}{4}$ -in. gauge, for collars and cuffs, for 44-35 Machine.....	1 50
20109	801	Throat Plate for 20108.....	1 50
20110	801	Feed Dog (spiked teeth) with 19118, for $\frac{3}{32}$ -in. to $\frac{1}{4}$ -in. gauge, for 44-36 Machine.....	1 50
20111	801	Throat Plate for 20110.....	1 50
20112	1225	Presser Foot with 228p, for 20108, 20110 and 25967, for 44-35 and 44-36 Machines.....	1 00
20121	802	Feed Dog with 19118, for $\frac{3}{32}$ -in. to $\frac{1}{4}$ -in. gauge, for general work, for 44-37 Mach. ....	1 50
20122	802	Throat Plate for 20121.....	1 50
20126	---	" " Body for 20128.....	1 00
20127	802	" " Loop Separator for 20128.....	1 25
20128	802	" " complete, Nos. 219, 20126 and 20127, for 19306.....	2 25
24013	1215	Shuttle Race complete, for $\frac{13}{16}$ -in. gauge and above, for 44-34, 44-36 and 44-37 Machines	5 00
24014	1215	Shuttle Race complete, for $\frac{3}{8}$ -in. to $\frac{5}{8}$ -in. gauge, for vamping, for 44-34 Machine....	5 00
*24015	----	Needle Clamp, for left hand needle, with 468, 620, 994 and 19461, for $\frac{3}{32}$ -in. to $\frac{13}{16}$ -in. gauge, for 24017.....	1 25
24016	----	Needle Clamp, for left hand needle, with two 620, for $\frac{3}{8}$ -in. gauge and above, for 24018	1 25
24017	----	Needle Bar complete, for $\frac{3}{32}$ -in. to $\frac{13}{16}$ -in. gauge, for 44-33 Machine.....	5 00
24018	----	Needle Bar complete, for $\frac{3}{8}$ -in. gauge and above, for 44-33 Machine.....	5 00
24020	1206	Oil Cup.....	20
24021	1206	" " Extension.....	05
24022	1206	" " complete, Nos. 12486, 24020 and 24021, for 44-32 to 44-34 Machines.....	25
*24076	----	Bed for 44-37 Machine.....	4 50
24077	1227	Folder Holder Seat Cover for 44-37 Machine.	15
24079	---	Drip Pan with four 1-in. wire nails.....	25
25955	1161	Oiler with 25956 (A. & A.).....	15
25956	1161	" Spout, 8 $\frac{1}{2}$ -in. long (A. & A.).....	07
25967	1225	Presser Foot Strip Gauge (A. & A.).....	15
26026	1161	Screw Driver (machine) (A. & A.).....	10
26027	1161	" " (shuttle tension) (A. & A.)....	05
26041	1205	Spool Holder Bracket with 219 and 287p, for 26043.....	15
26042	1205	Spool Holder Spindle with Disc, for 26043..	30
26043	1205	" " (disc) complete, Nos. 26041 and 26042 (A. & A.).....	50
26061	989	Tape Holder Bracket Wire with Disc, for 26063	20
26062	989	" " Disc (adjustable) with 286p, for 26063.....	30

## Numerical List of Parts.

No.	Plate	Name	Each
26063	989	Tape Holder (8-in. disc) complete, Nos. 26061 and 26062, for 26065.....	50
26064	1200	Tape Holder Foot with 736p, for 26343.....	20
26065	---	" " 26063 with 26325 (A. & A.)....	70
26066	989	" " Bracket Wire for 26067.....	-
26067	---	" " " " 26066 with 26068 and 26072, for 26074.....	60
26068	989	Tape Holder Disc for 26071.....	---
26069	989	" " " Hub for 26071.....	-
26070	---	" " " " Rivet for 26071.....	-
26071	---	" " " " 26068 with 26069 and three 26070, for 26074.....	40
26072	989	Tape Holder Tape Guide for 26074.....	---
26073	1206	" " Tension Adjusting Collar with 286p, for 26074.....	15
26074	989	Tape Holder (10-in. disc) complete, Nos. 13244, 26067 and 26071, for 26343.....	1 25
26234	1220	Presser Foot Spring for 20049.....	02
26266	1228	Stay Guide Plate (lower) for 26268.....	20
26267	1228	" " " (upper) " " .....	20
26268	---	" " complete, Nos. 26266 and 26267 (A. & A.).....	40
26269	---	Lap Seam Feller Folder for 26272.....	3 25
26272	1226	" " " (right hand) complete, Nos. 18114 and 26269 (A. & A.).....	3 40
26273	1223	Presser Foot (hinged) for light lap seam fel- ler (A. & A.).....	2 00
26274	---	Presser Foot Plate for 26273.....	1 25
26275	---	" " Shank " 20045, 26273, 26329, 26406, 26410 and 26418.....	75
26276	1220	Presser Foot Hinge Pin for 20045, 20049, 26273, 26329, 26383, 26406, 26410 and 26418	01
26279	---	Presser Foot Extension, $\frac{1}{16}$ -in., for 19216 (A. & A.).....	15
26280	1225	Presser Foot Extension, $\frac{1}{8}$ -in., for 19216 (A. & A.).....	15
26281	---	Presser Foot Extension, $\frac{1}{4}$ -in., for 19216 (A. & A.).....	15
26282	---	Presser Foot Extension, $\frac{3}{8}$ -in., for 19216 (A. & A.).....	15
26283	---	Presser Foot Extension, $\frac{1}{2}$ -in., for 19216 (A. & A.).....	15
26325	1200	Tape Holder Foot with 736p, for 26065.....	20
26329	1226	Presser Foot (hinged) for medium or heavy lap seam feller (A. & A.).....	2 50
26330	---	Presser Foot Plate for 26329.....	1 75
26343	---	Tape Holder 26074 with 26064 (A. & A.)....	1 45
26382	---	Presser Foot Plate for 26383.....	1 75
26383	1226	" " (hinged) for X heavy, XX heavy and XXX heavy lap seam feller.....	2 50
26395	---	Presser Foot Shank for 26383.....	75

No.	Plate	Name	Each
*26396	---	Folder for 26397.....	3 25
26397	1226	Lap Seam Feller (left hand) complete, Nos. 18114 and 26396 (A & A).....	3 40
26404	1224	Presser Foot (tube) for reeding (A & A).....	2 50
26405	---	" " Plate for 26406.....	2 50
26406	1224	" " (tube) hinged, for reeding (A & A).....	3 25
26407	1224	Presser Foot for double strips (tube) for reeding (A & A).....	3 00
26408	1224	Presser Foot for double strips (tube) (A & A).....	2 25
26409	---	" " Plate for 26410.....	2 25
26410	1224	" " for double strips (tube) hinged (A & A).....	3 00
26411	1225	Presser Foot (strip folding) for cording (A & A).....	4 00
*26412	---	Strip Folder for 26413.....	2 35
26413	1226	" " 26412 with 18114 (A & A).....	2 50
26414	1225	Presser Foot (strip folding) for opening seams and inclosing folded edges (A & A).....	5 75
26415	1225	Presser Foot, strip folding (A & A).....	3 50
26416	1225	" " " " with guide for opening seams (A & A).....	3 50
26417	---	Presser Foot Plate for 26418.....	3 50
26418	1225	" " (strip folding) hinged, with guide for opening seams (A & A).....	4 25
27070	363	Shaft Driving Pulley, 10-in. diam., grooved, 1 $\frac{3}{8}$ -in. bore, sectional, with two 597c, for 19264 and 27645.....	45
27302	1162	Bobbin Winder Frame for 27651.....	15
27303	1220	" " Spring for 27651.....	03
27303	1220	" " Stop Latch Spring for 19260.....	03
27306	1162	" " Spool Pin for 27308.....	05
27307	1162	" " Stand for 27308.....	10
27308	1162	" " " " 27307 complete, for 27588.....	35
27473	1101	Cone Pulley Centre Bearing for 27509.....	08
27474	363	Dress Guard (right hand) for 27644.....	08
27476	---	Driving Pulley Friction Ring (leather) for 27630.....	05
27483	1101	Lever Brake Spring for 27644.....	02
27485	1101	" Hinge Pin " ".....	01
27497	1101	" Brake Strip (leather) for 27644.....	02
27508	362	Belt Guard for 27644.....	08
27509	362	Cone Pulley, three speed, 2 $\frac{1}{2}$ -in., 3 $\frac{1}{2}$ -in. and 5 $\frac{1}{4}$ -in. diam., with 27473, for 27644.....	60
27529	362	Lever for 27644.....	25
27538	1162	Bobbin Winder Spindle with 15072, for 27651.....	20
27552	1162	" " Base for 27651.....	15
27553	1162	" " Pulley for 27651.....	20
27555	1203	Thread Unwinder Spool Pin for 27556.....	08
27556	---	" " " Rest 27583 with 138b and two 27555, for 27562.....	40

No.	Plate	Name	Each
27557	1163	Thread Unwinder Spool Stand with 138b, for 27562.....	25
27558	1163	Thread Unwinder Spool Weight, 4-in. diam., with 27592, for 27562.....	15
27559	1163	Thread Unwinder Thread Guard for 27561.....	20
27560	1163	" " " " Rod, 26-in. long, for 27562.....	30
27561	---	Thread Unwinder Thread Guard 27559 with 330b, 449c and 27563, for 27562.....	50
27562	1163	Thread Unwinder for two large spools complete.....	1 60
27563	1163	Thread Unwinder Thread Guard Hub for 27561.....	20
27583	1163	Thread Unwinder Spool Rest for 27556.....	20
27587	1162	Bobbin Winder Stop Latch for 27561.....	10
27588	---	" " (swinging automatic, right hand, complete, 27651 with 27308).....	1 35
27592	1206	Thread Unwinder Spool Weight Centre Pin for 27558.....	05
27600	1101	Driving Pulley Hollow Stud Position Stud for 27631.....	---
27630	362	Driving Pulley, 6-in. diam., with 955c, 27476 and two 7958, for 27644.....	60
27631	1101	Driving Pulley Hollow Stud with 27600, for 27644.....	15
27632	---	Driving Pulley Hollow Stud Wick for 27633.....	01
27633	---	" " " " Wire with 27632, for 27644.....	05
27634	362	Frame for 27644.....	60
27635	362	Oil Cup " ".....	25
27636	363	Treadle " 27642.....	30
27637	362	" Pitman Rod (lower) for 14233, 15130 and 27640.....	05
27638	1101	Treadle Pitman Rod (lower) Spring for 14233, 15130 and 27640.....	03
27639	362	Treadle Pitman Rod (upper) for 27640.....	05
27640	362	" " complete for 27643.....	35
27642	---	" complete for 14233, 15131 & 27643.....	45
27643	---	" & Pitman complete, Nos. 27640 & 27642.....	80
27644	---	Transmitter complete for 27645.....	3 00
27645	---	Under Driver, Lever Pressure, three speed, complete, Nos. 27070, 27643 and 27644.....	4 00
27651	1162	Bobbin Winder for 27588.....	1 00



PLATE 362—ONE-FOURTH SIZE

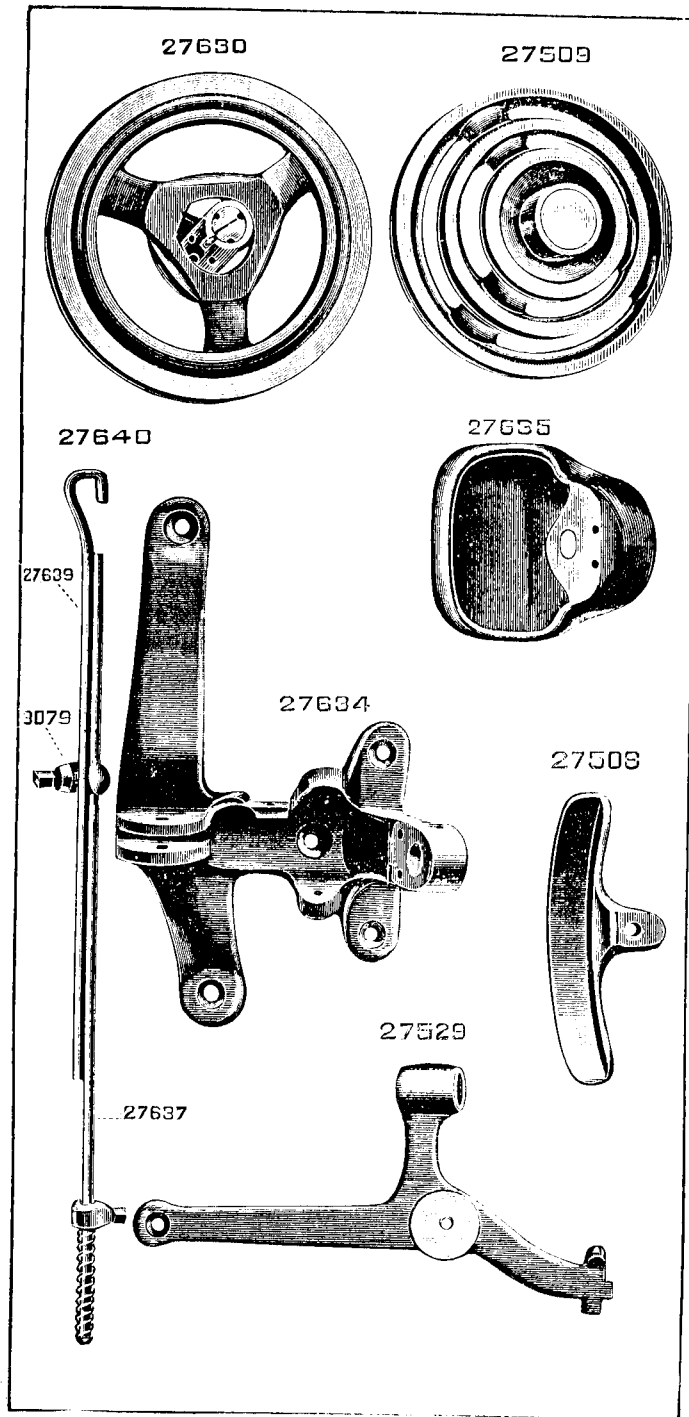


PLATE 363—ONE-FOURTH SIZE

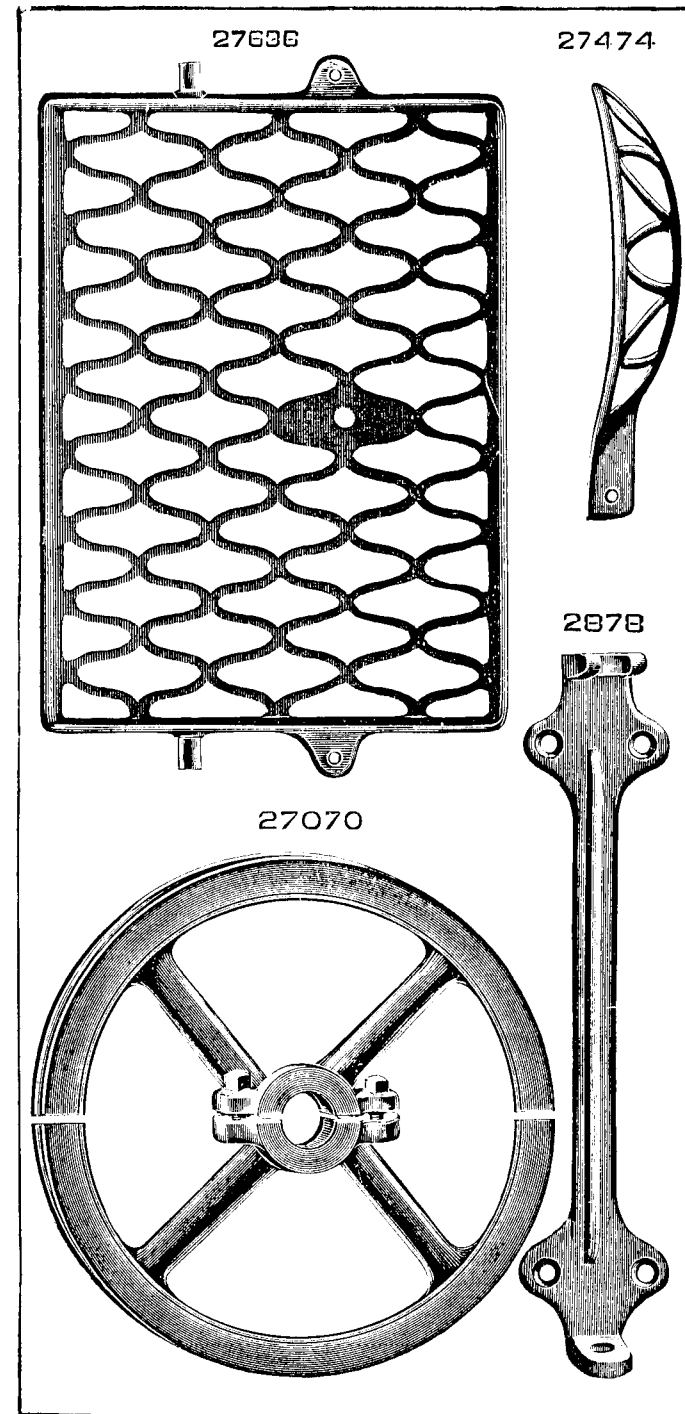


PLATE 766 ONE-FOURTH SIZE

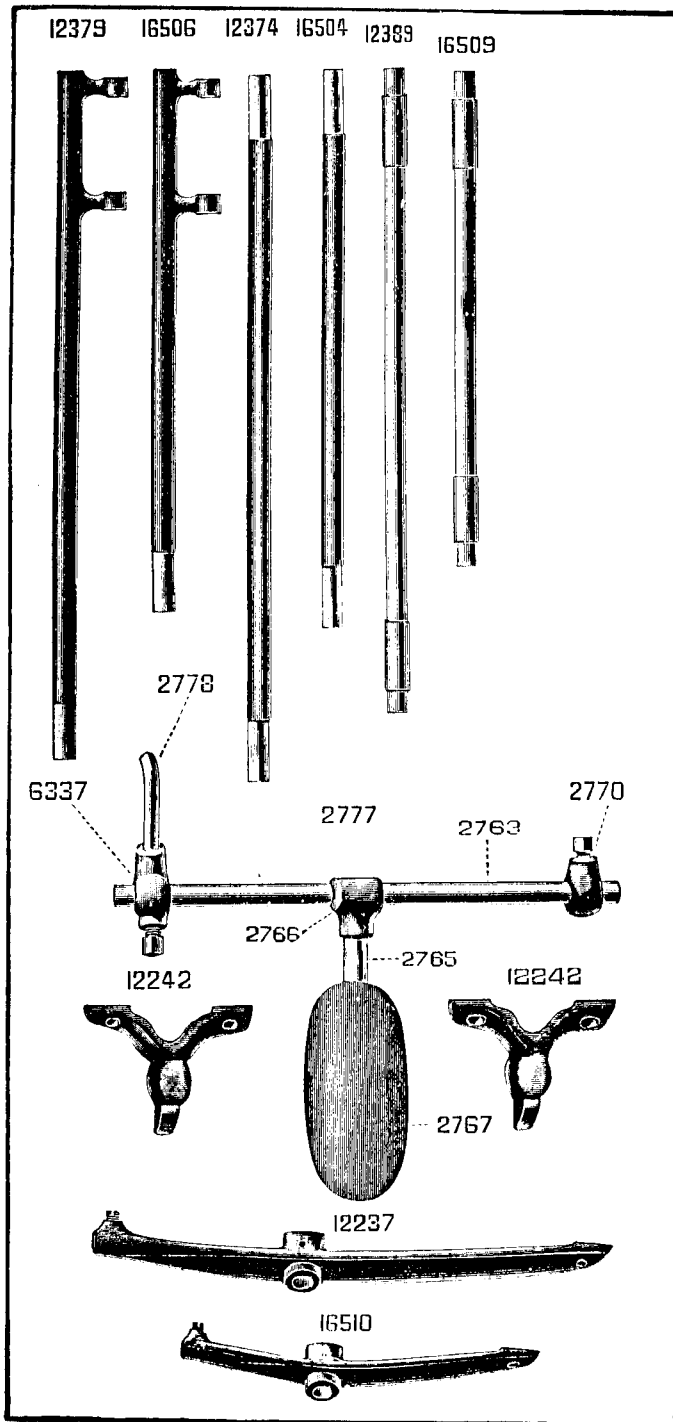


PLATE 768—ONE-HALF SIZE

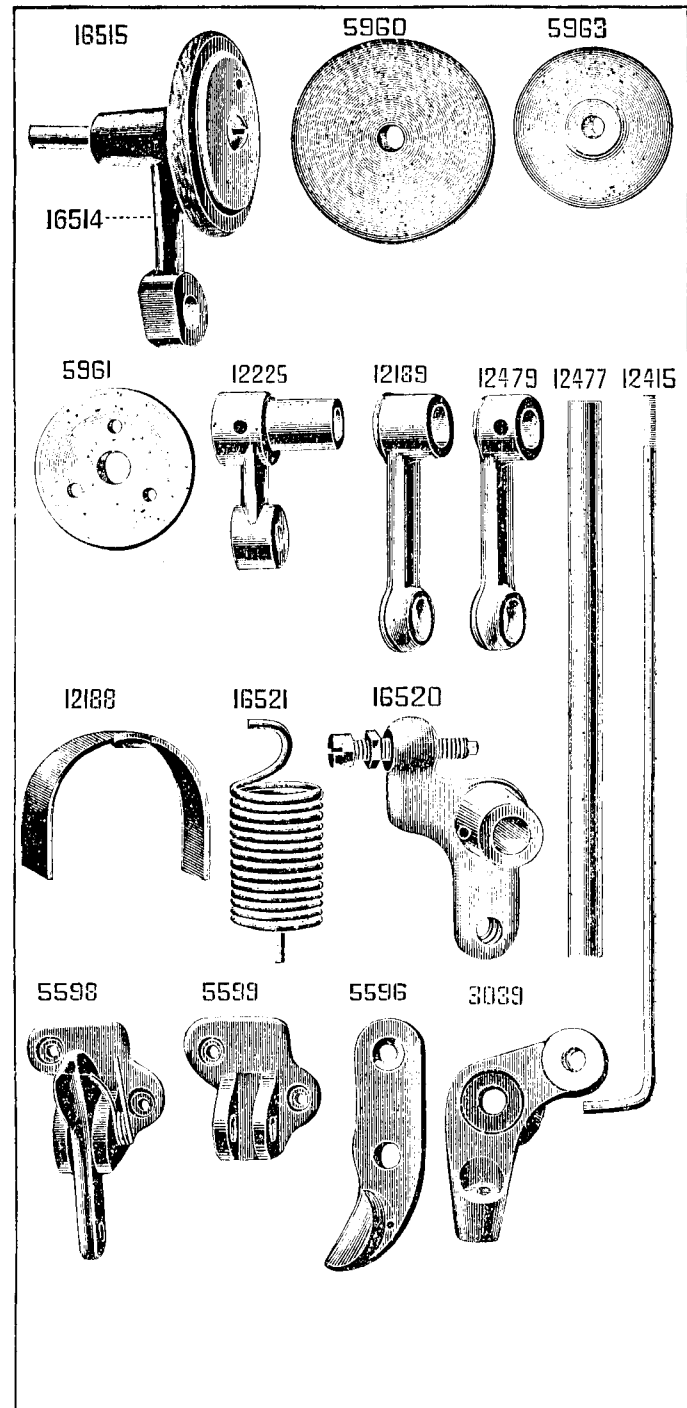


PLATE 782—FULL SIZE

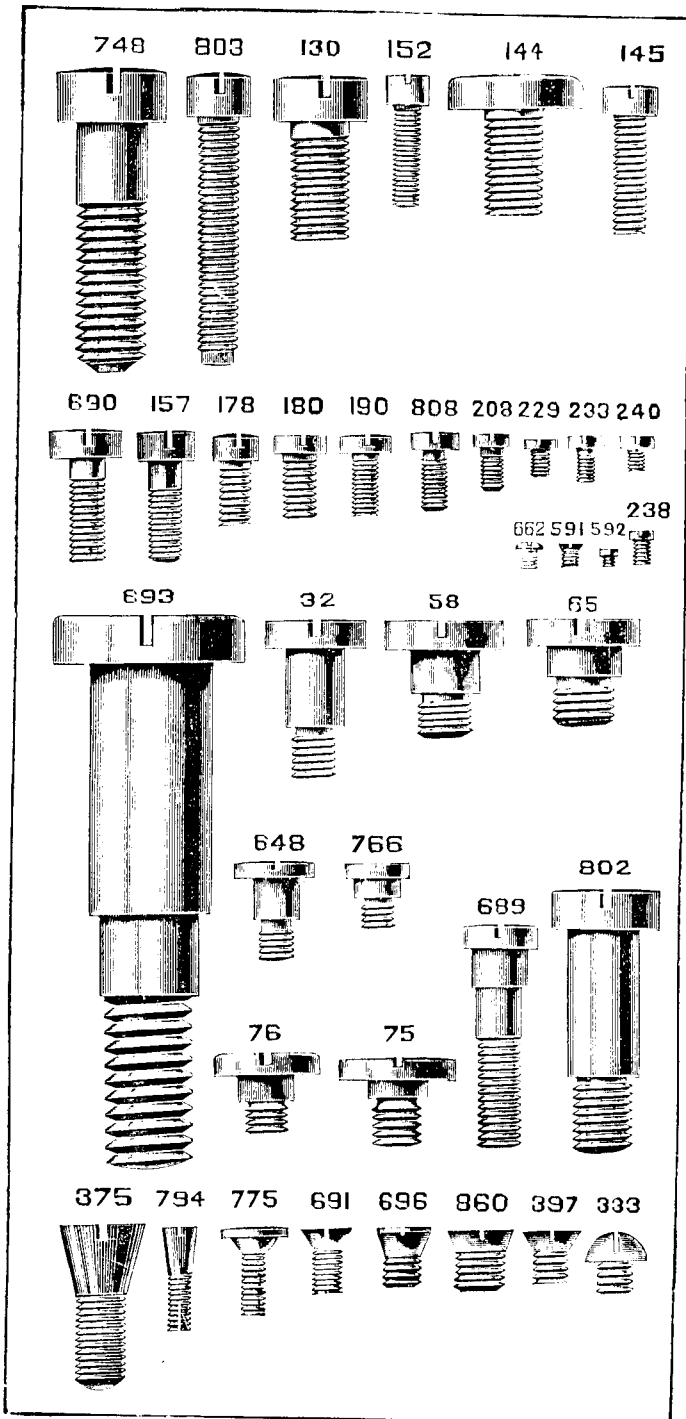


PLATE 783—FULL SIZE

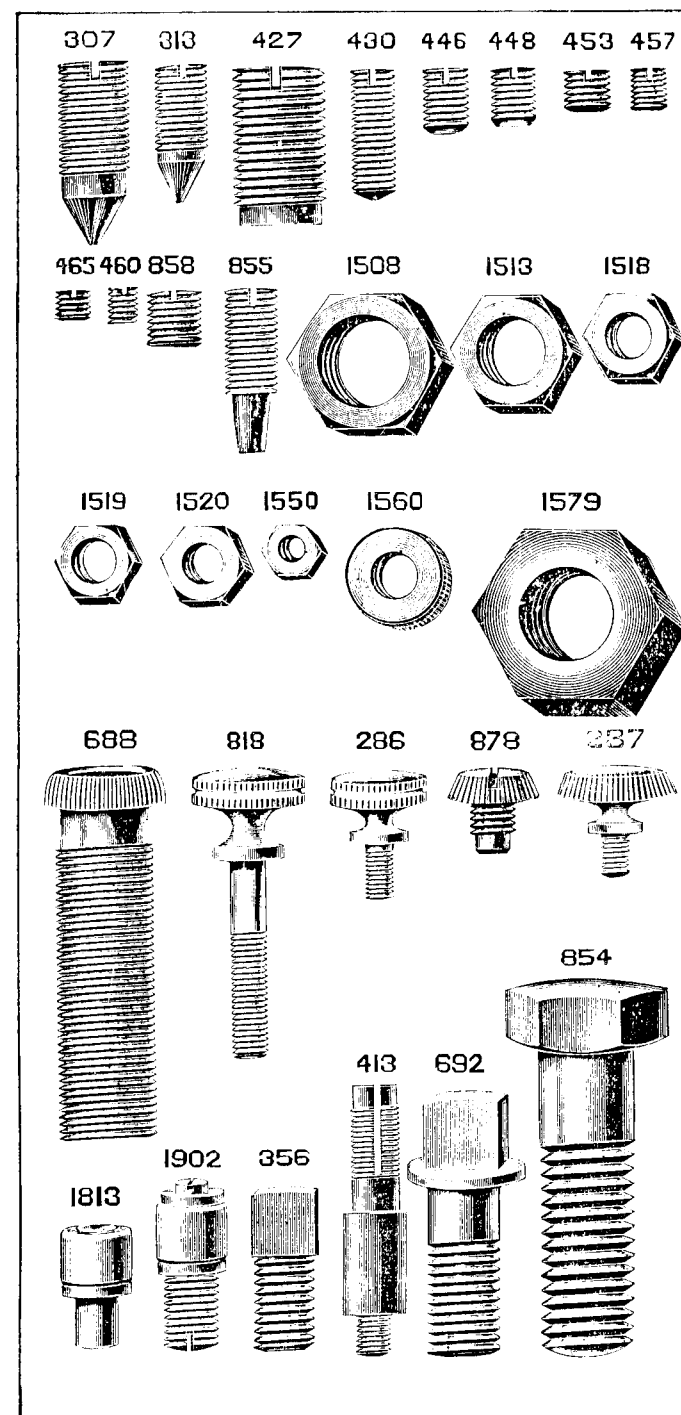


PLATE 785—FULL SIZE

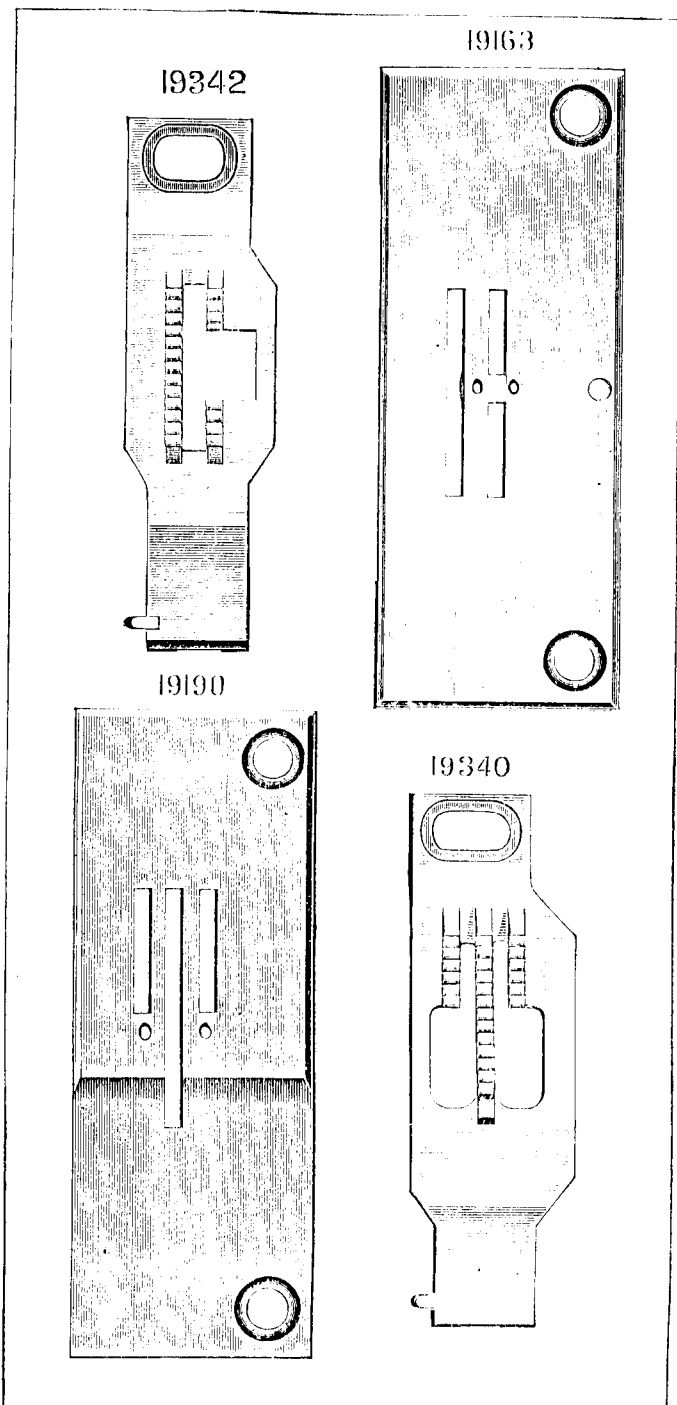


PLATE 786—FULL SIZE

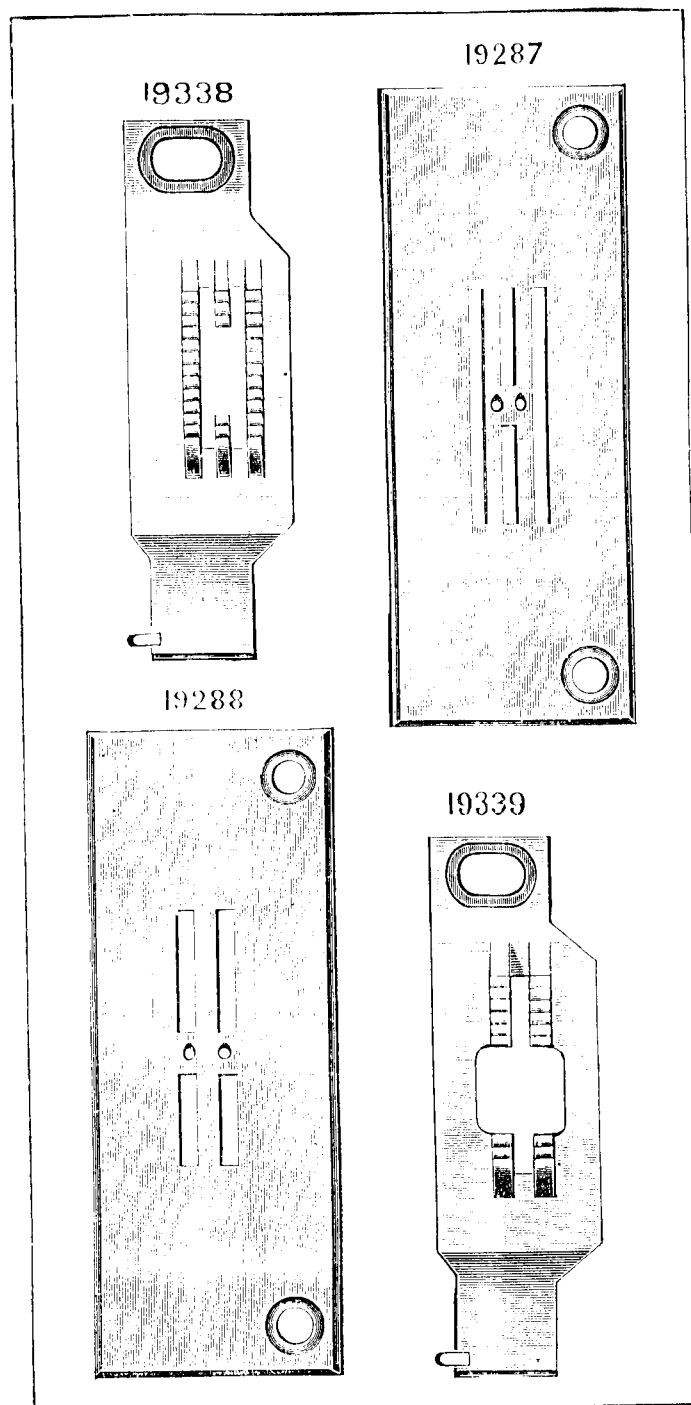
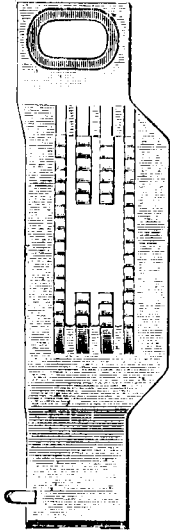
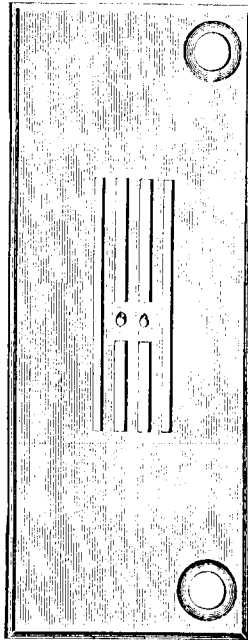


PLATE 787—FULL SIZE

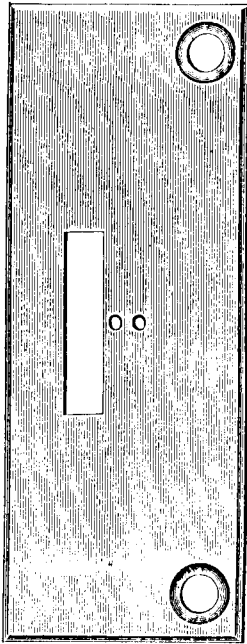
19183



19184



19254



19235

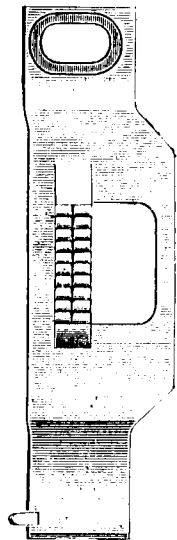
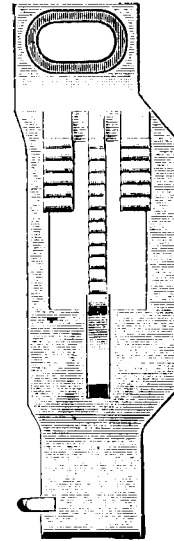
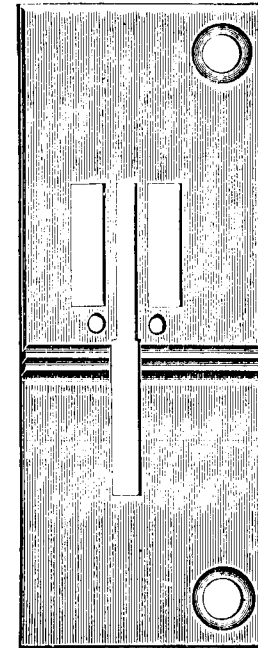


PLATE 788—FULL SIZE

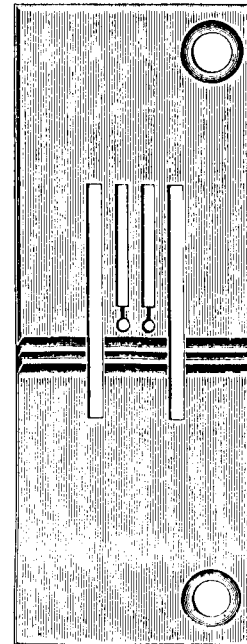
19274



19283



19289



19344

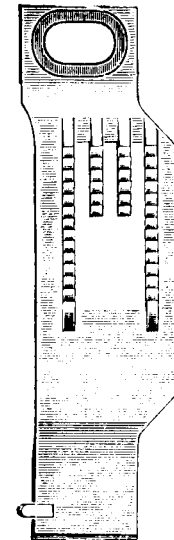


PLATE 789—FULL SIZE

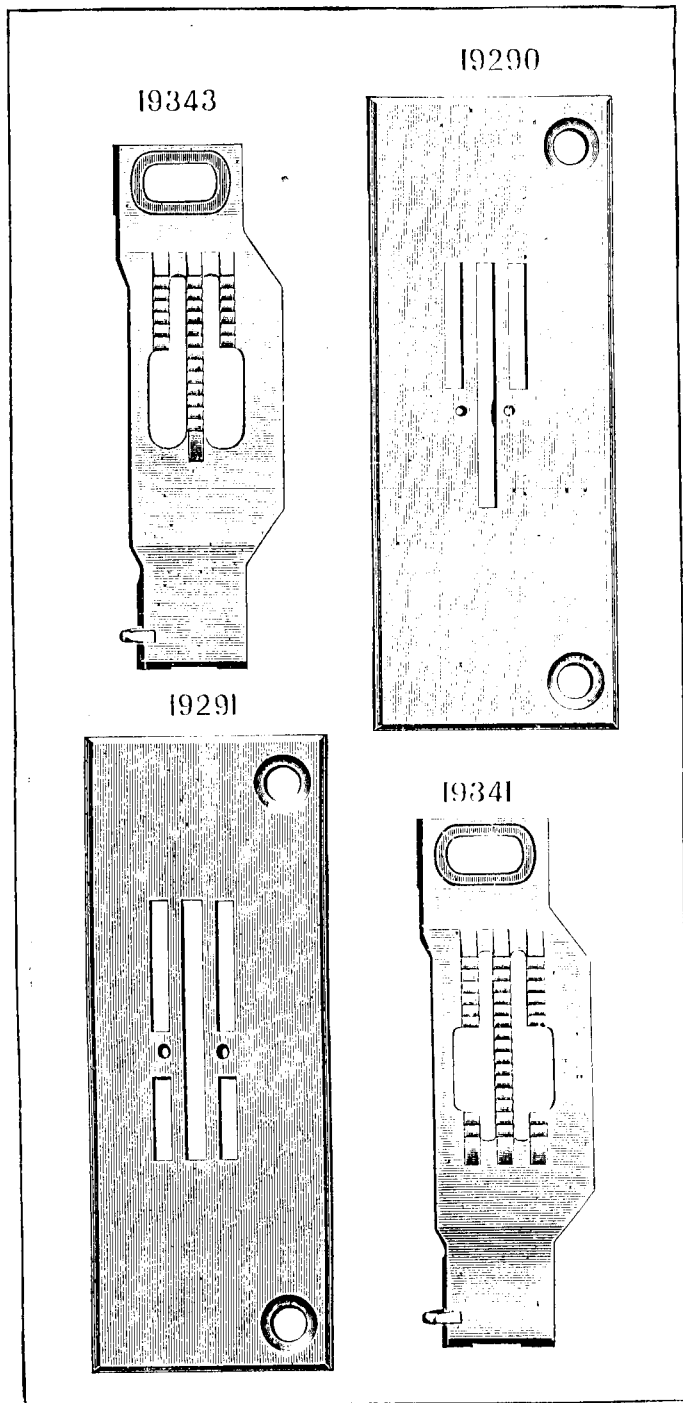


PLATE 790—FULL SIZE

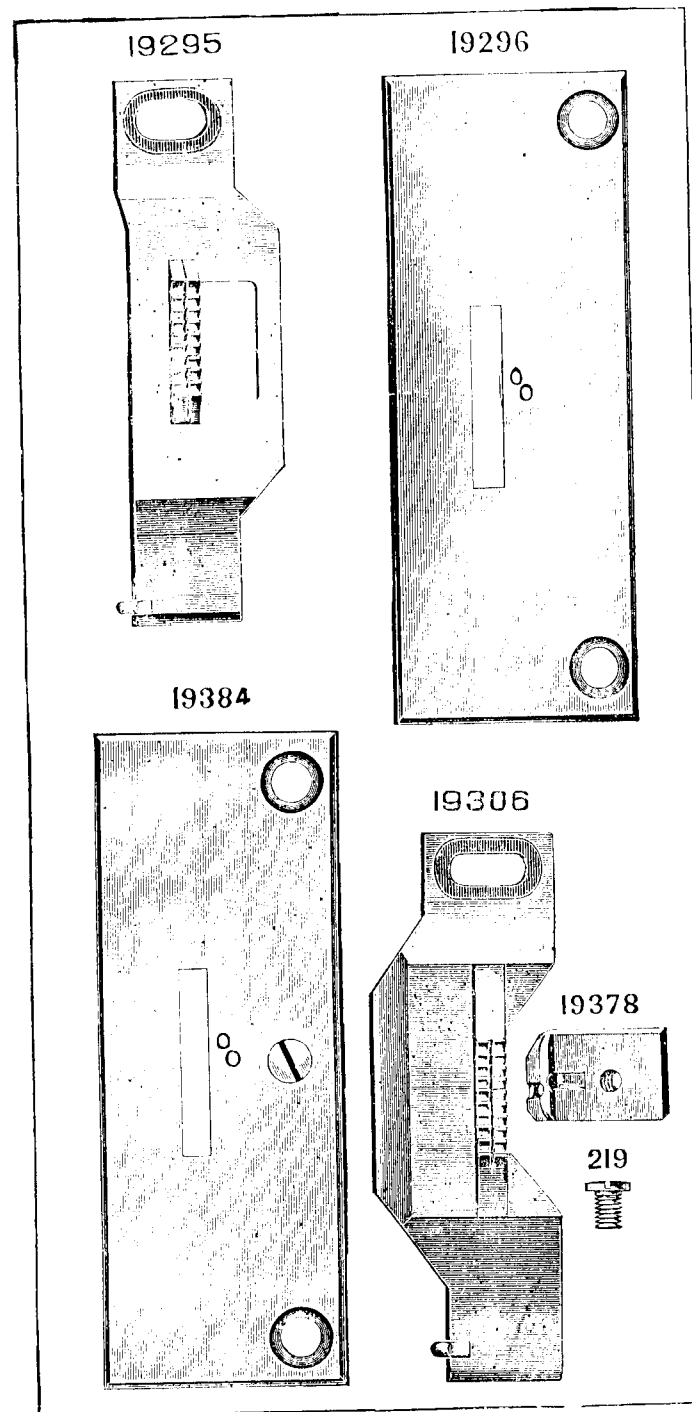
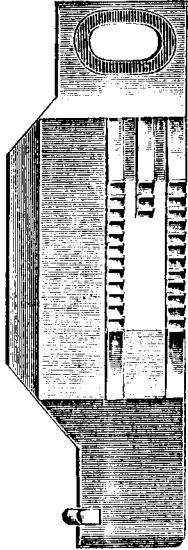
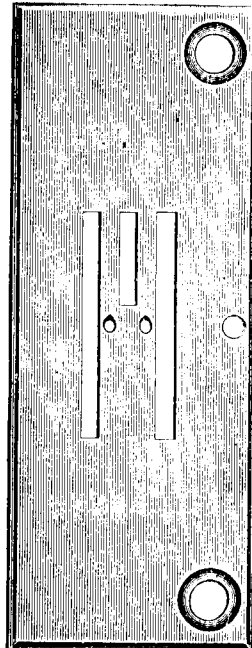


PLATE 791—FULL SIZE

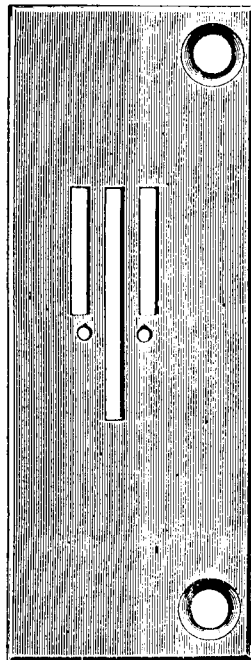
19329



19330



19396



19395

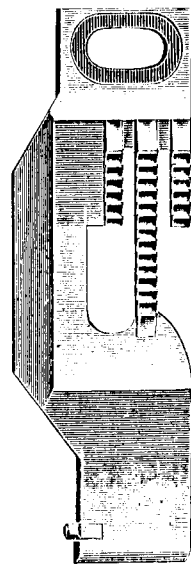
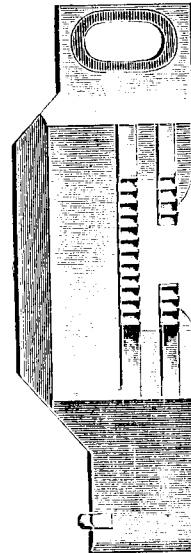
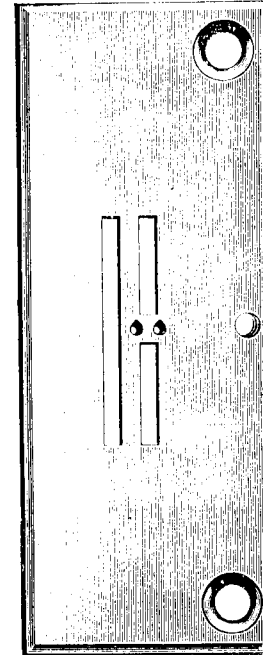


PLATE 792—FULL SIZE

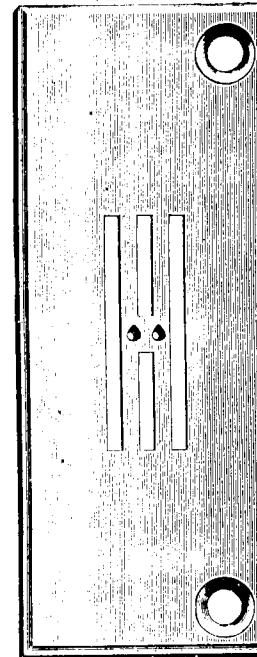
19450



19451



19469



19468

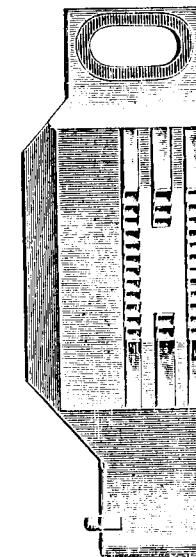
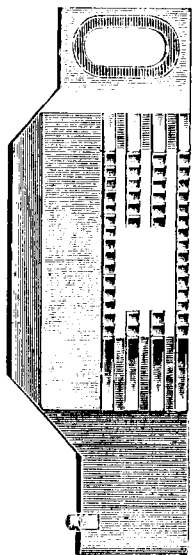
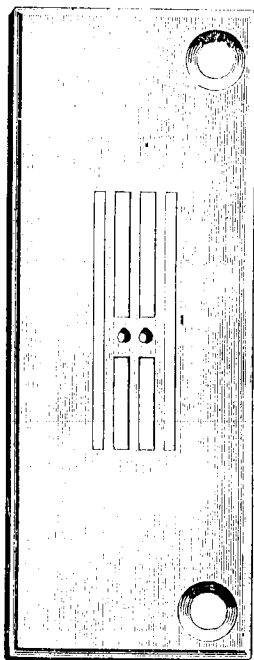


PLATE 793—FULL SIZE

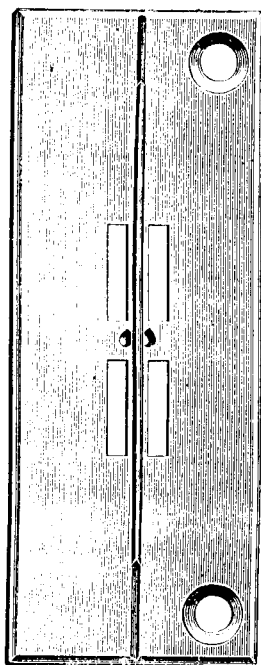
19470



19471



19481



19479

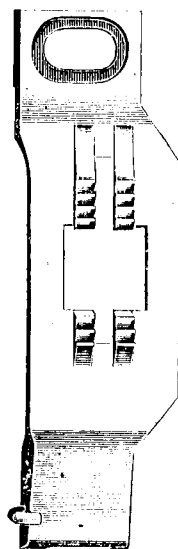
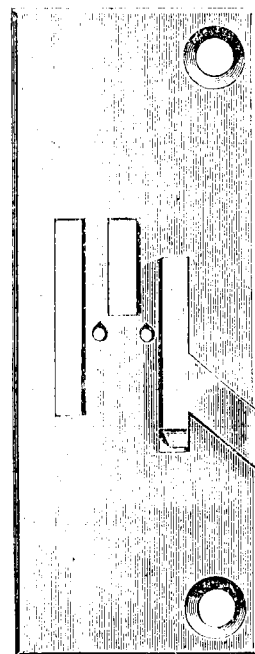
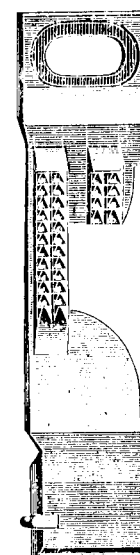


PLATE 794—FULL SIZE

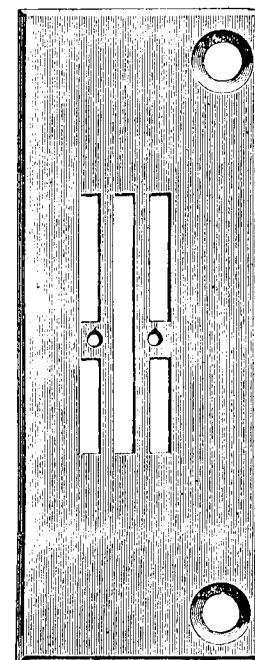
19484



19482



19495



19484

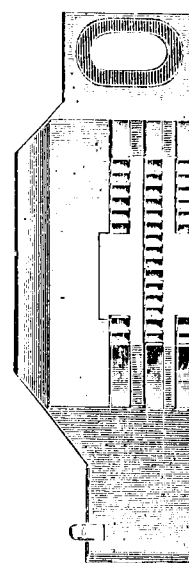
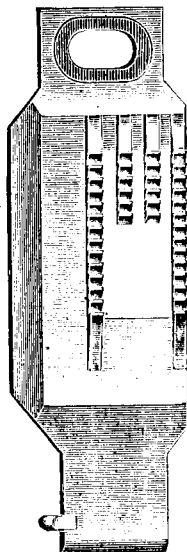


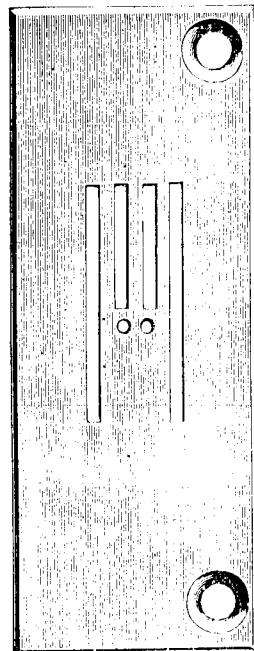


PLATE 795—FULL SIZE

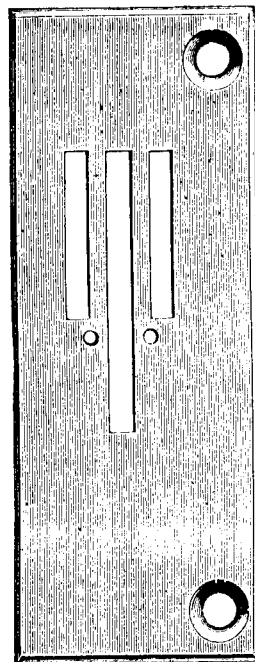
20055



20056



20069



20068

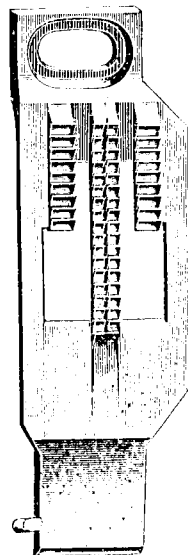
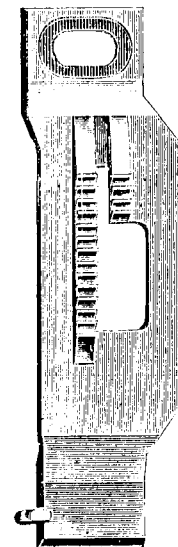
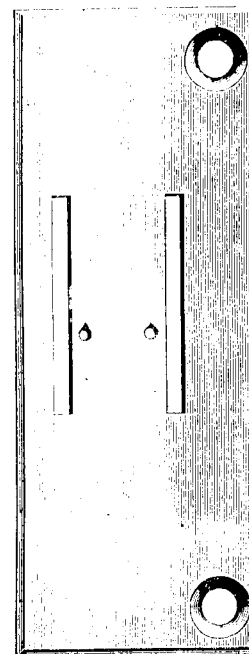


PLATE 796—FULL SIZE

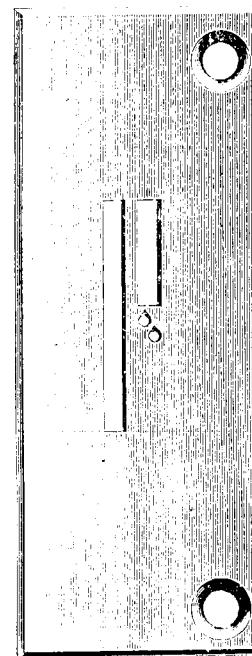
20070



20073



20071



20072

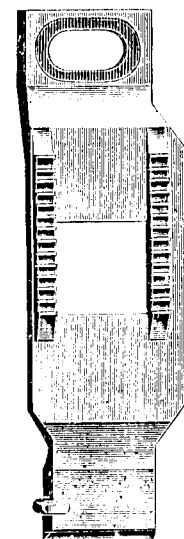


PLATE 797—FULL SIZE

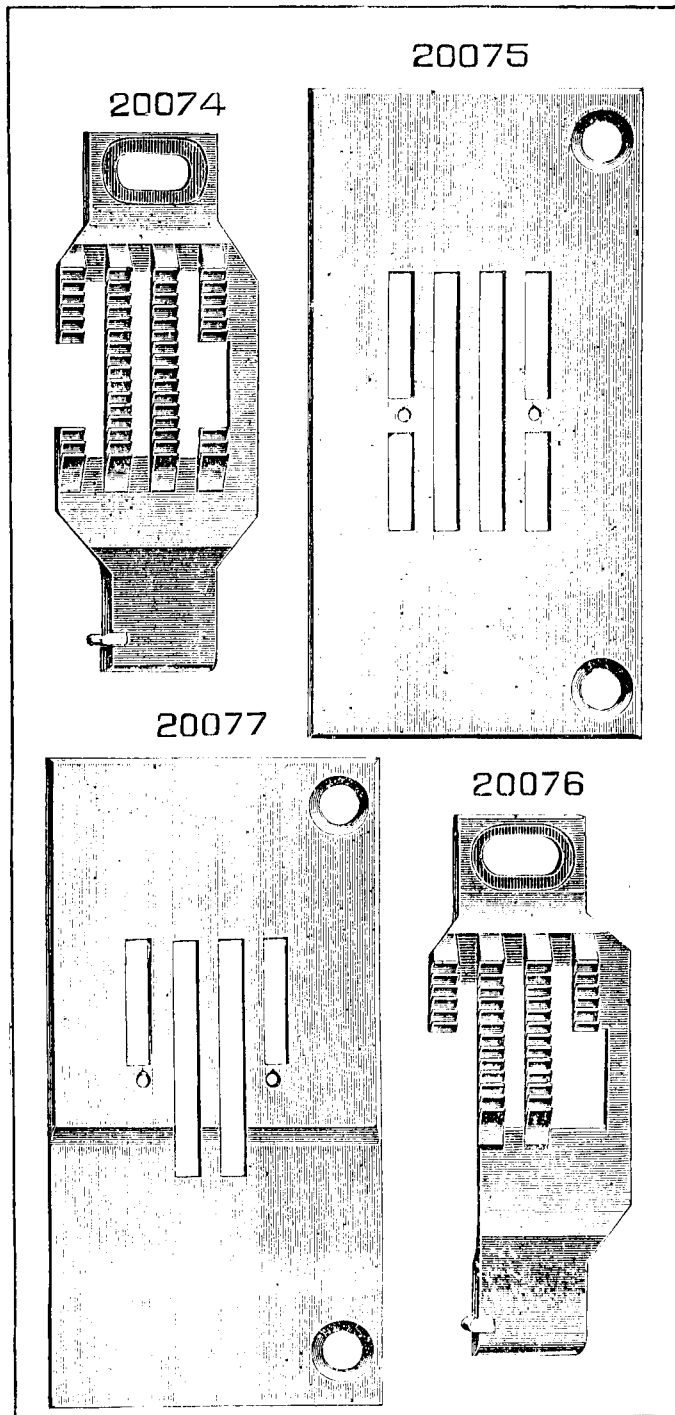


PLATE 798—FULL SIZE

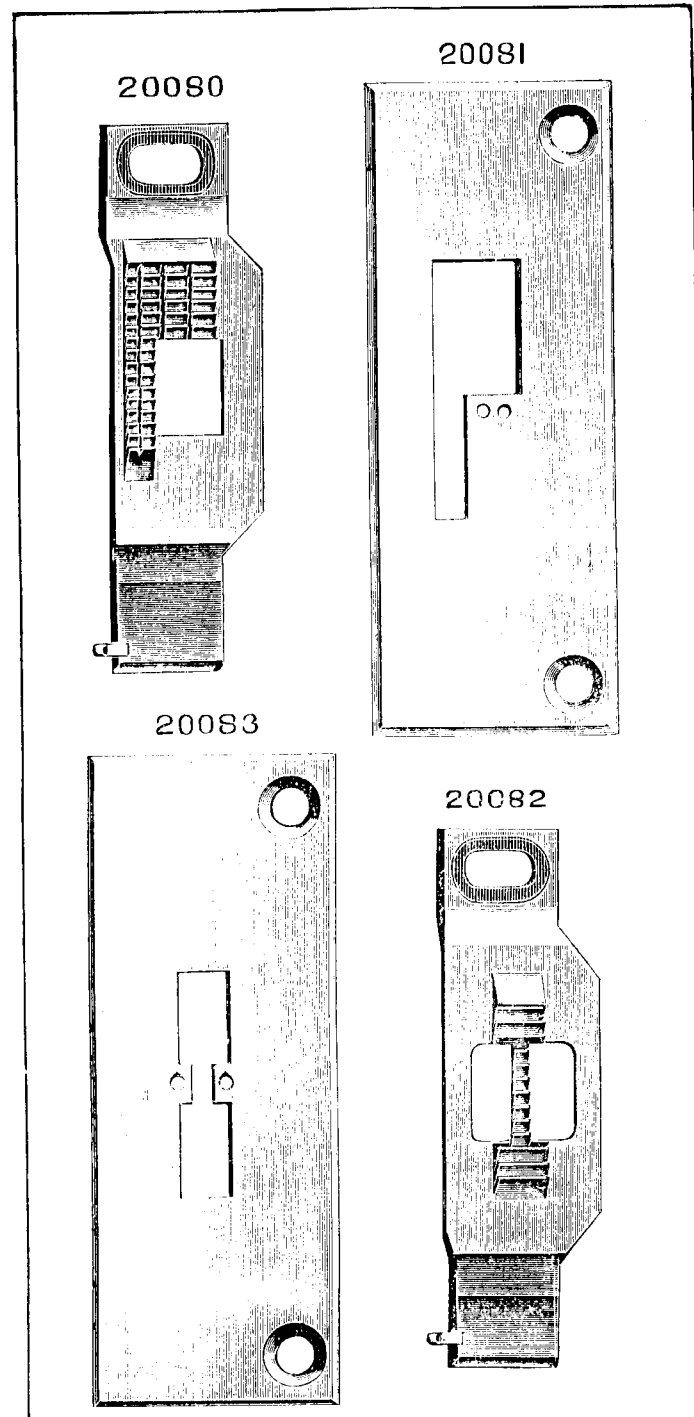


PLATE 799—FULL SIZE

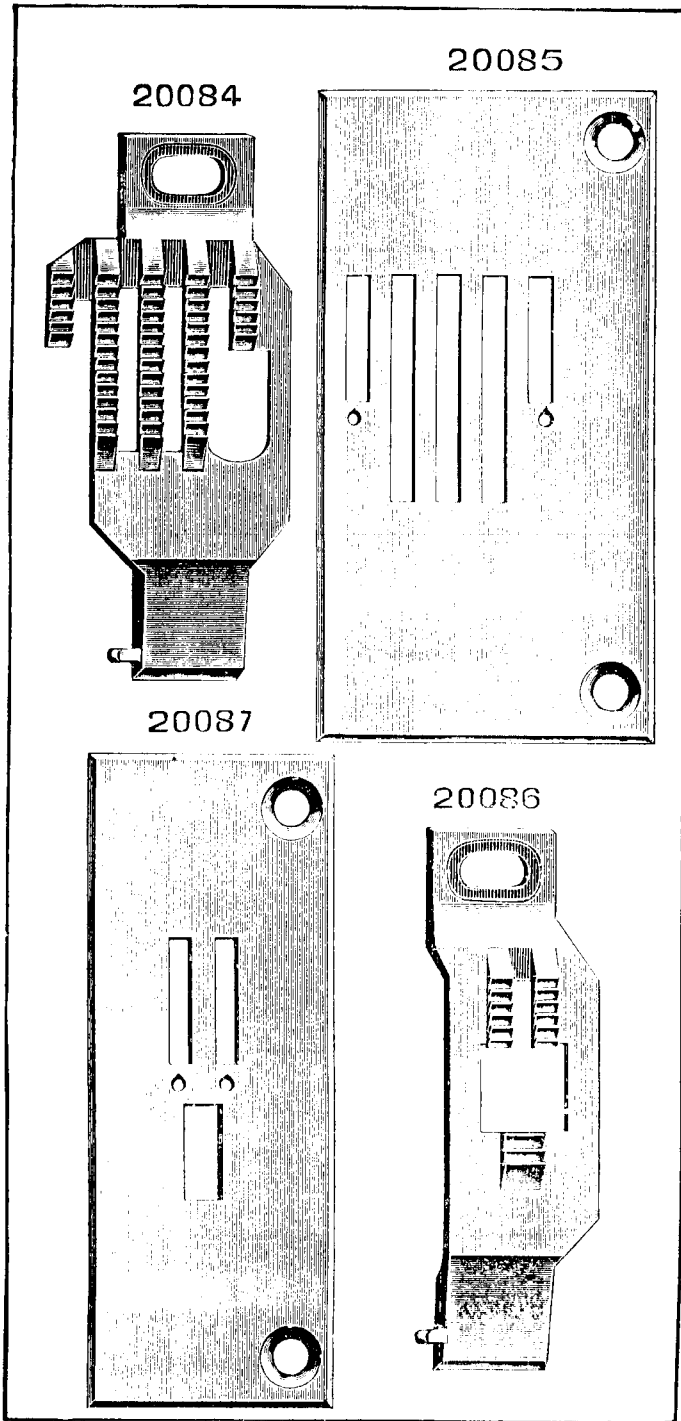


PLATE 800—FULL SIZE

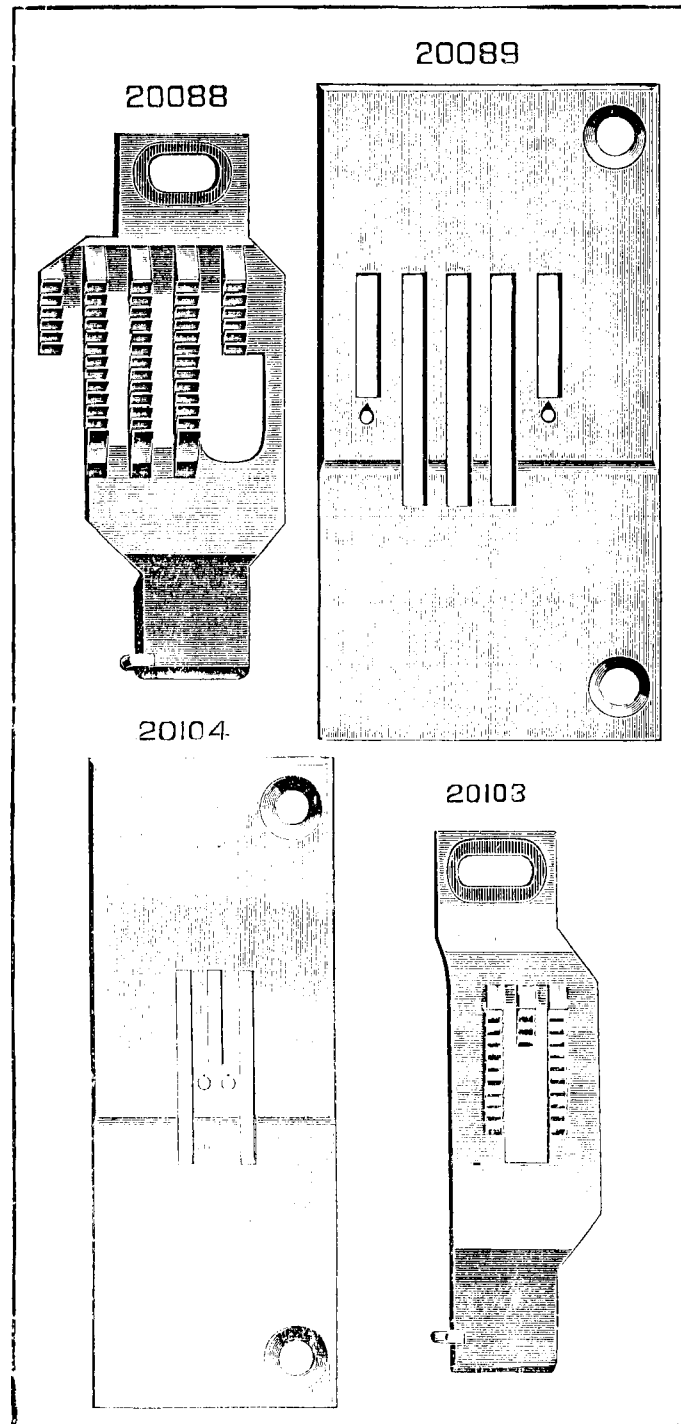
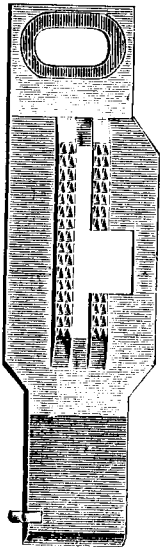
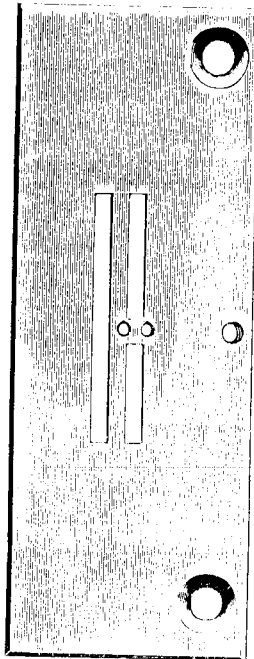


PLATE 801—FULL SIZE

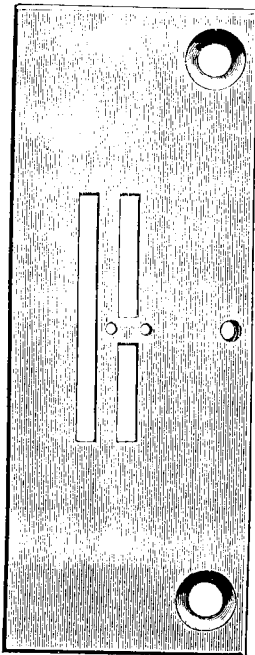
20108



20109



20111



20110

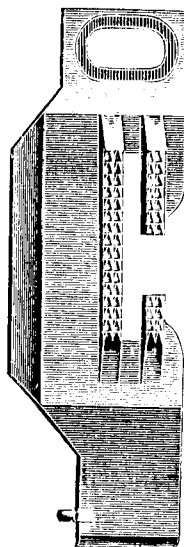
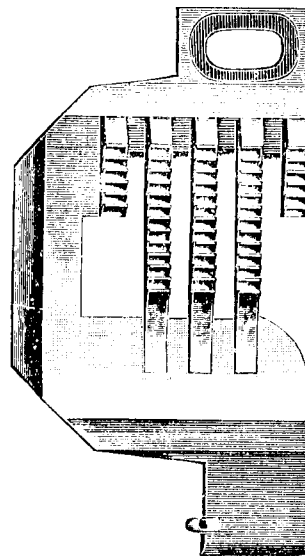
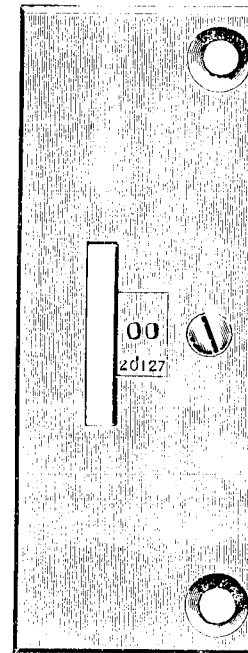


PLATE 802—FULL SIZE

20121



20128



20122

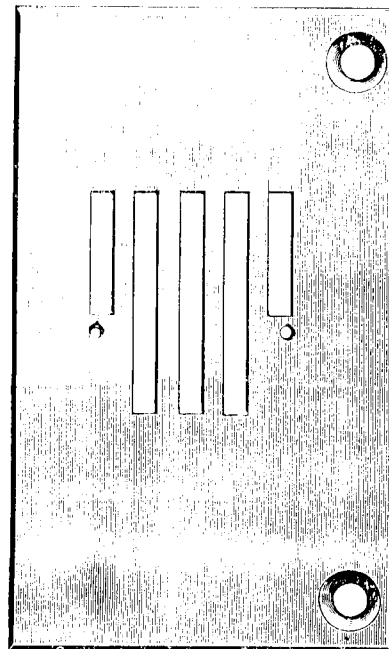


PLATE 989—ONE-FOURTH SIZE

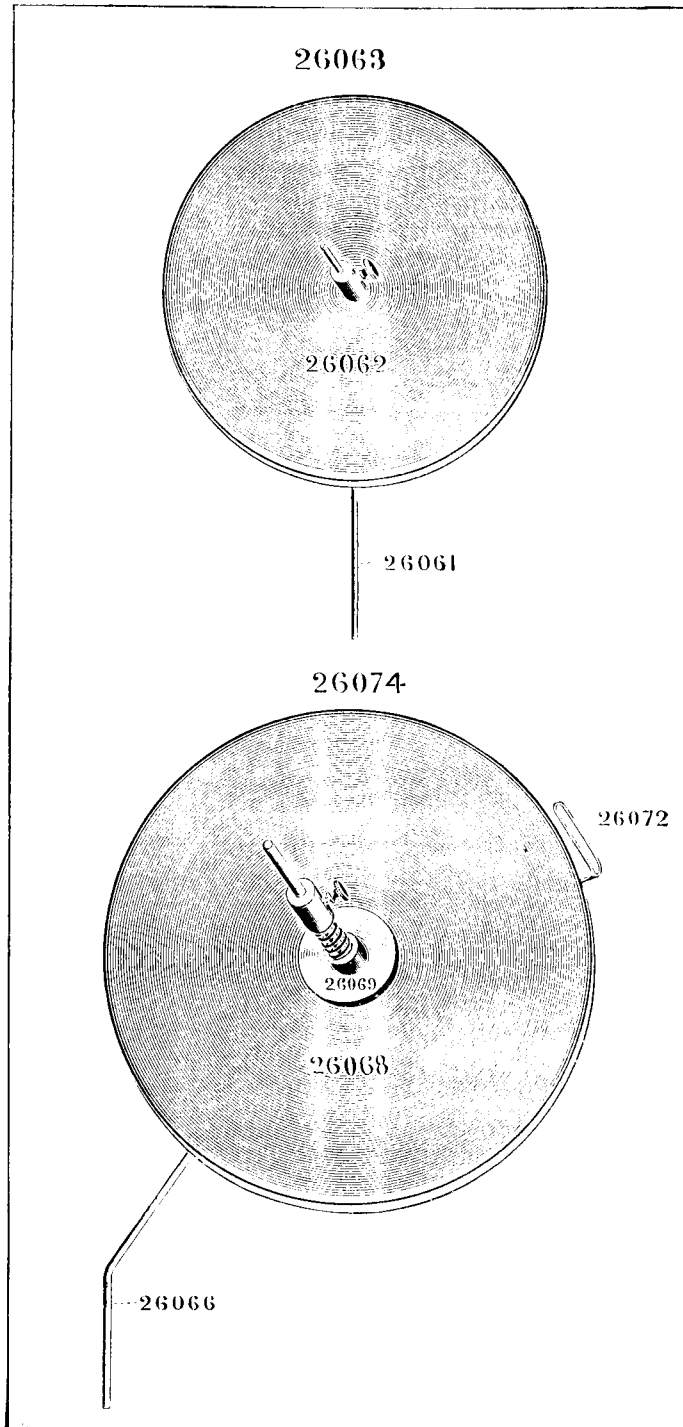


PLATE 1101—FULL SIZE

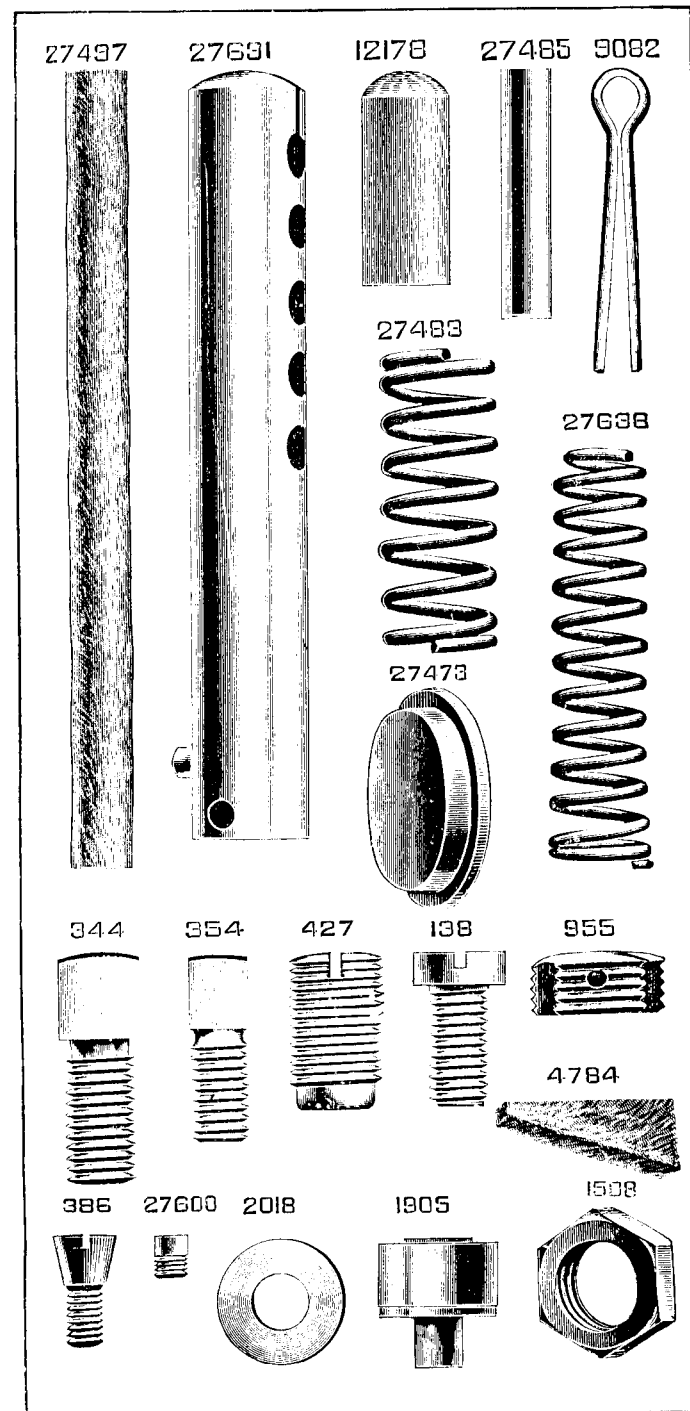


PLATE 1144—FULL SIZE

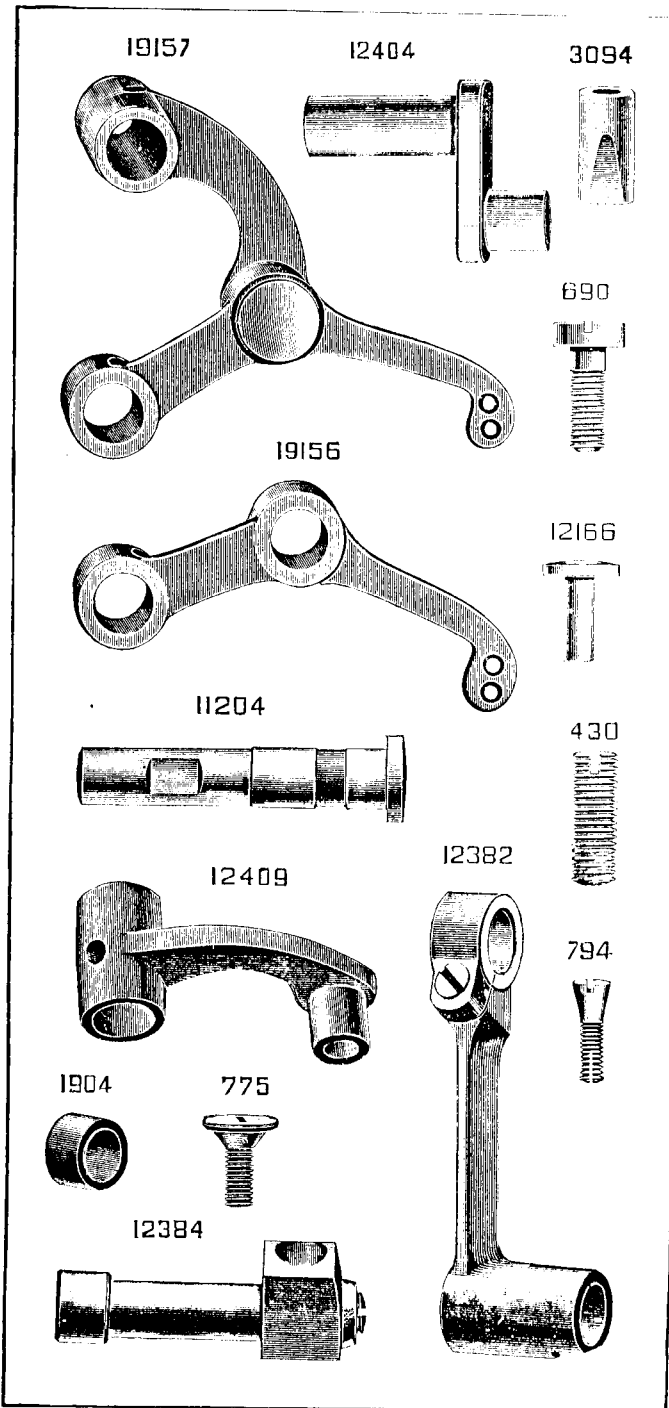


PLATE 1145—FULL SIZE

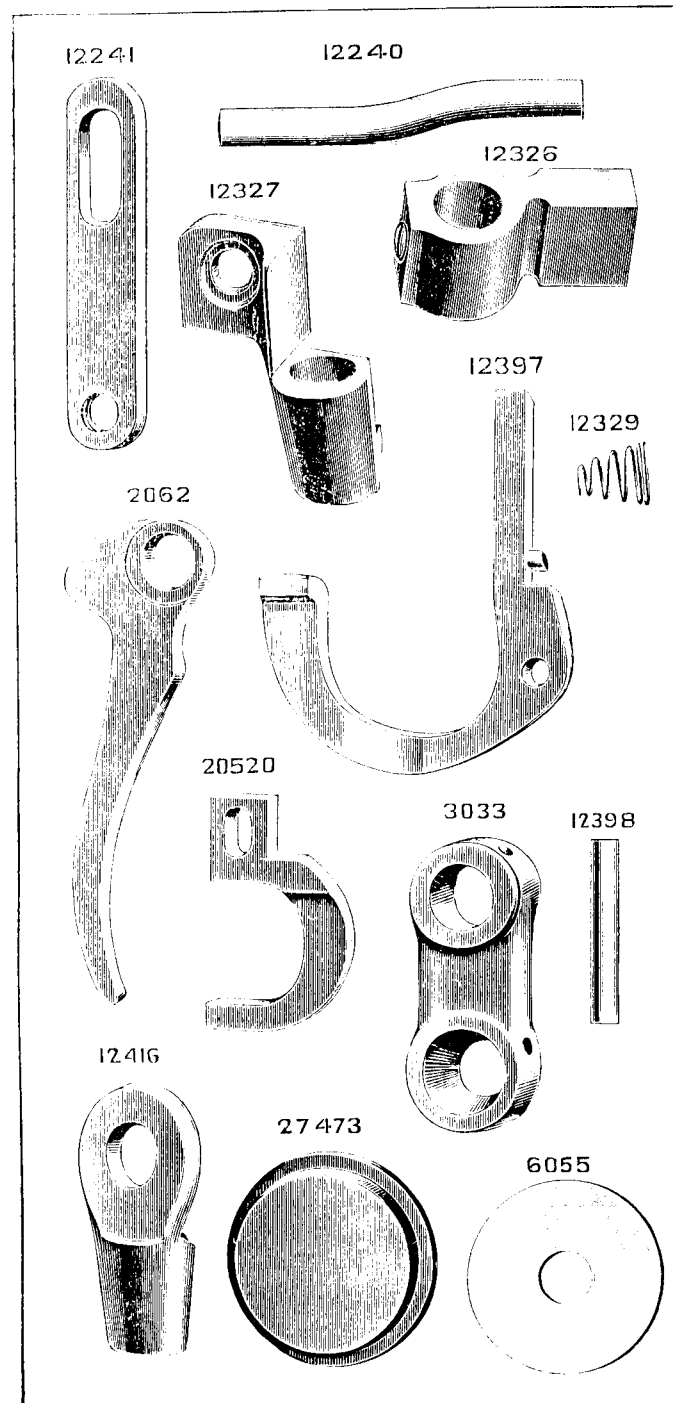


PLATE 1146—FULL SIZE

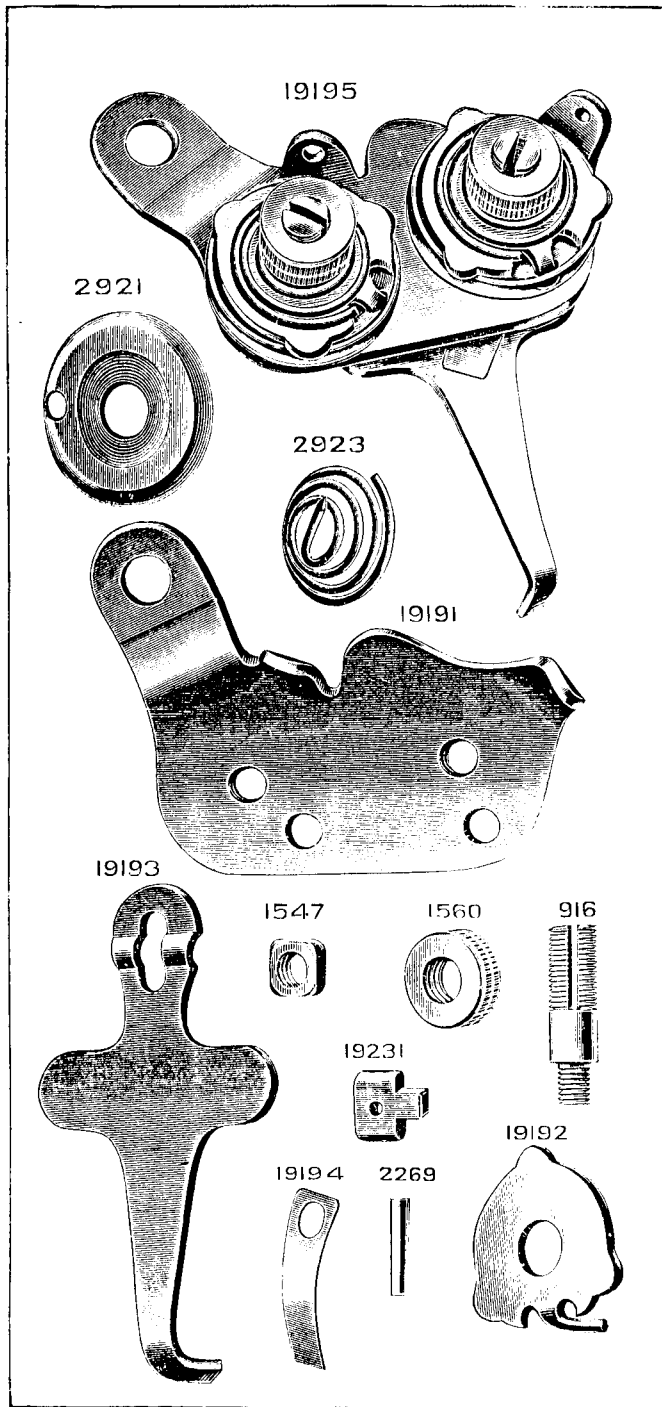


PLATE 1161—ONE-HALF SIZE

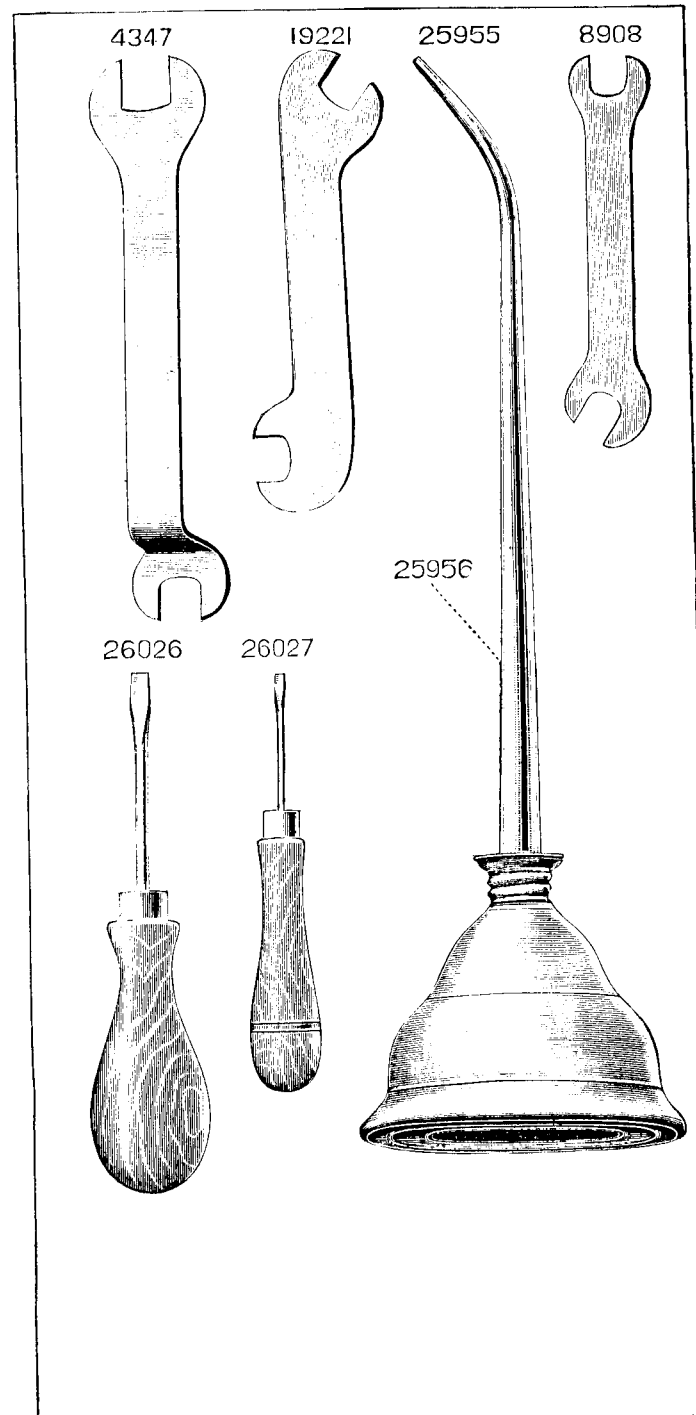


PLATE 1162—ONE-HALF SIZE

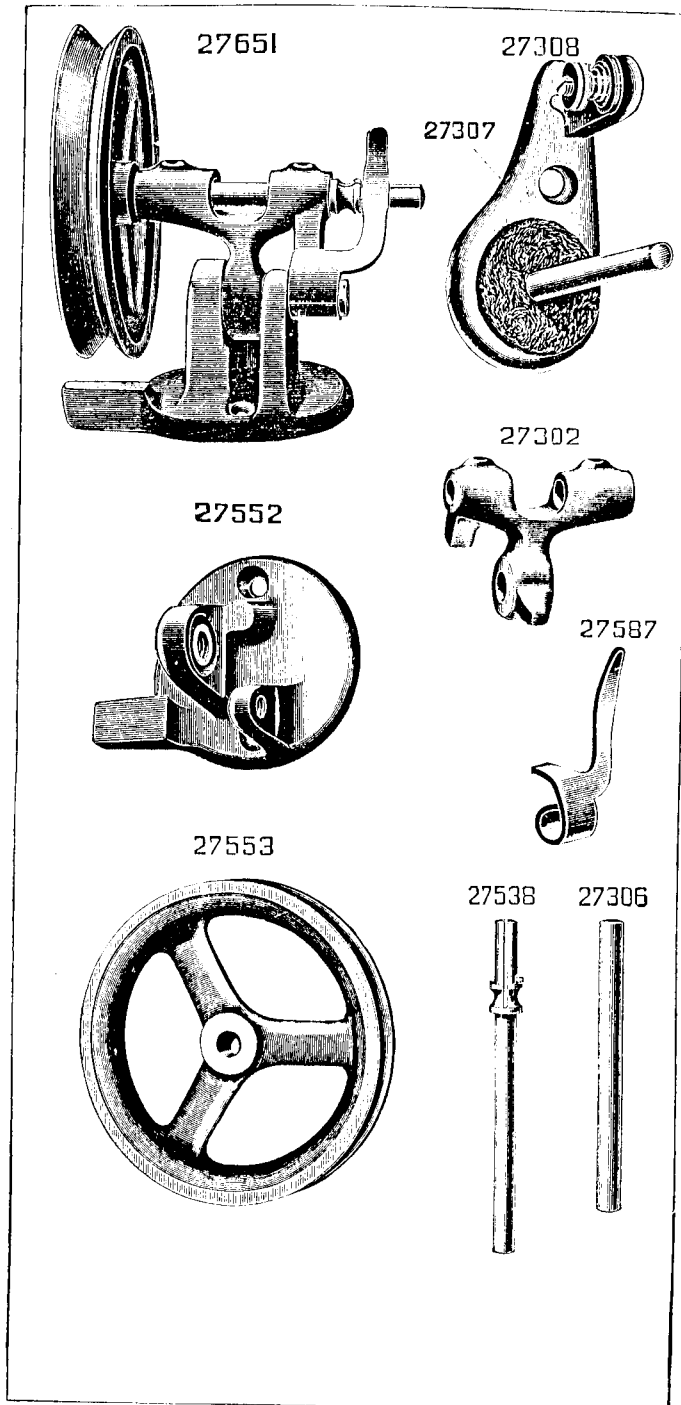


PLATE 1163—ONE-FOURTH SIZE

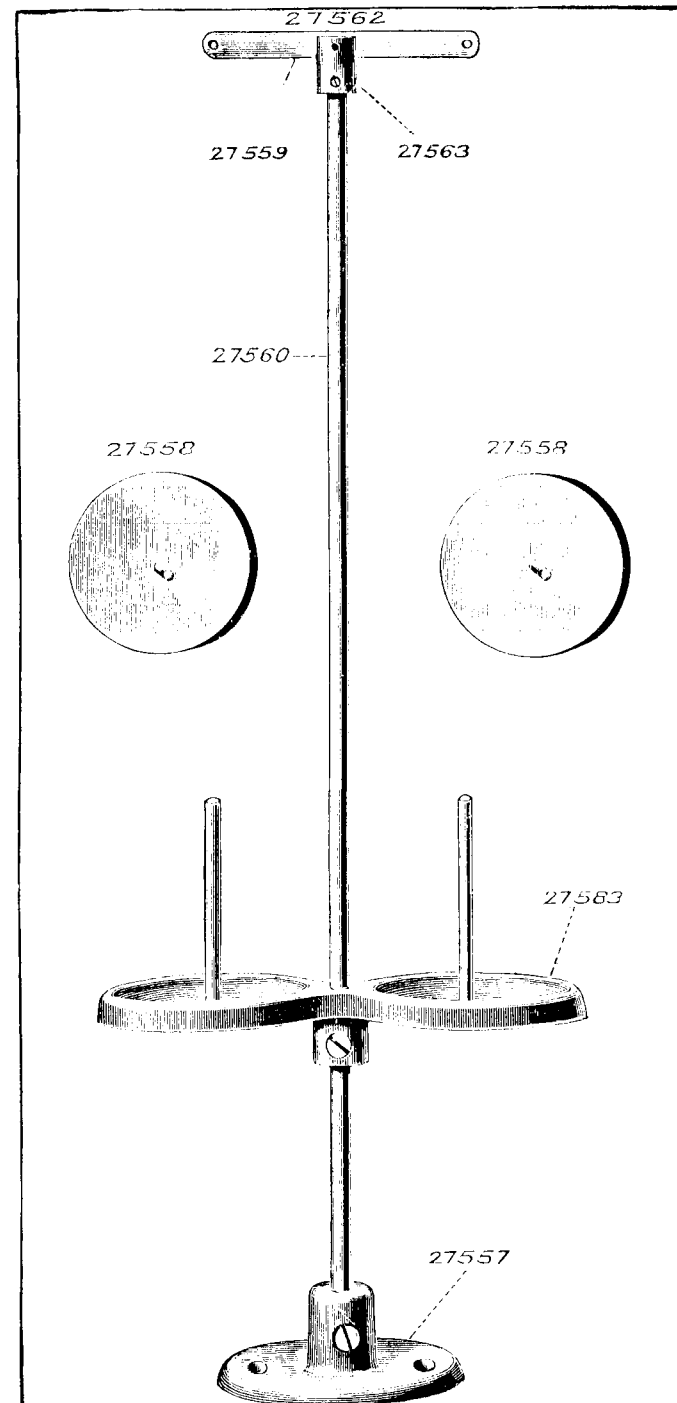




PLATE 1200—ONE-HALF SIZE

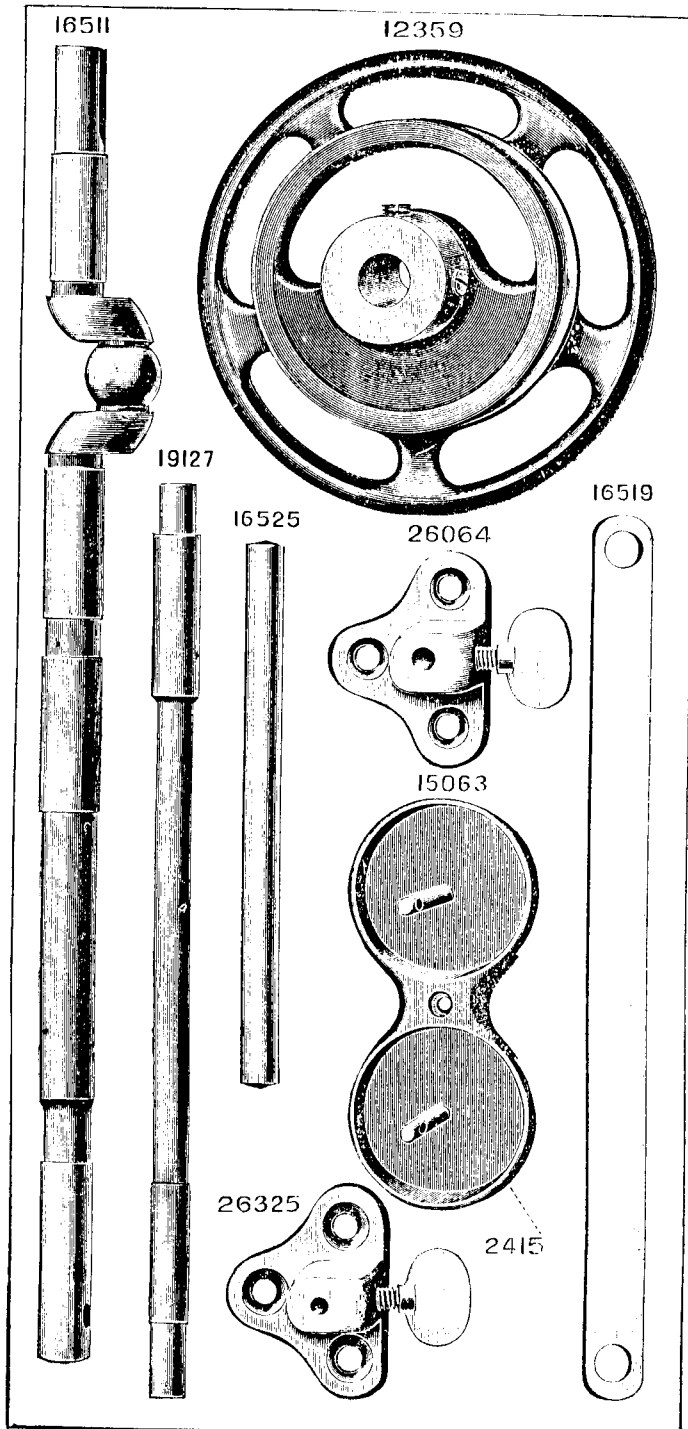


PLATE 1201—ONE-HALF SIZE

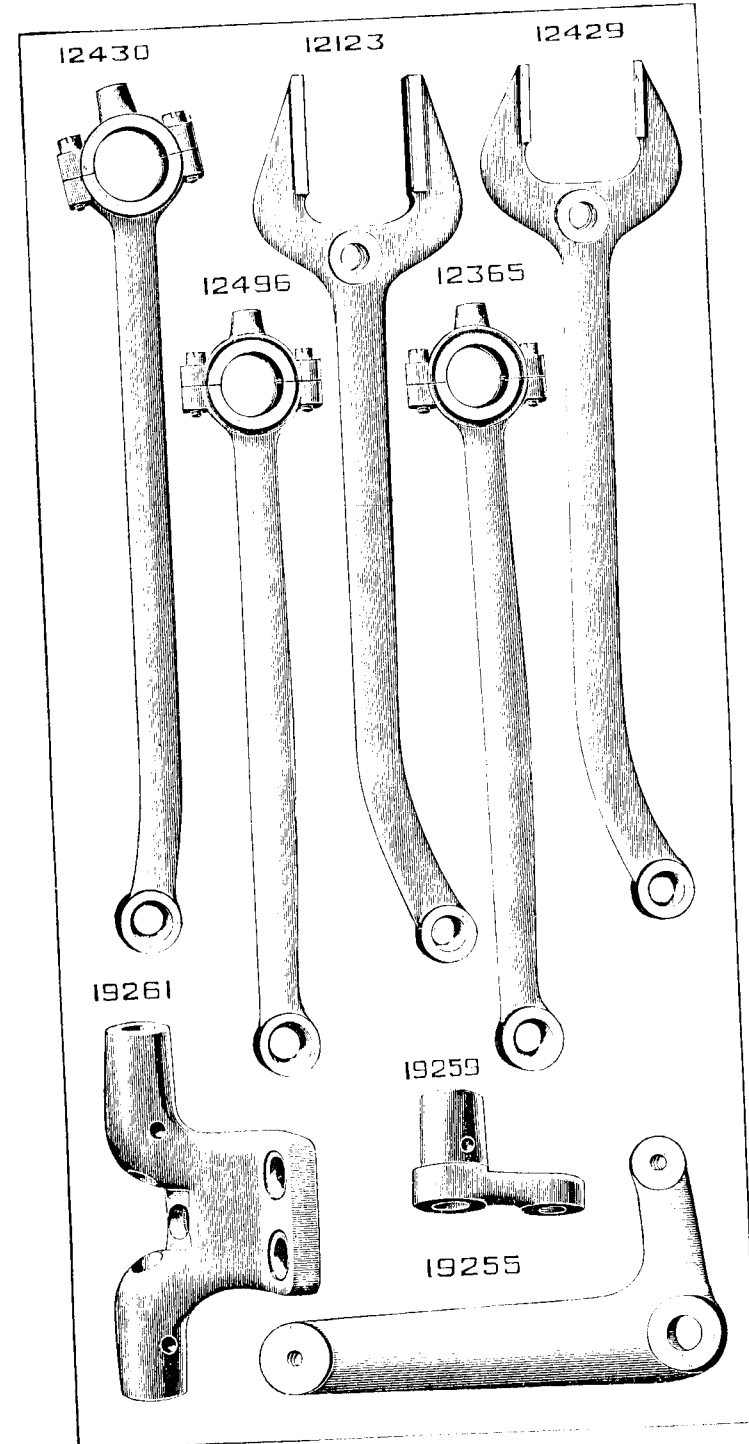


PLATE 1202—ONE-HALF SIZE.

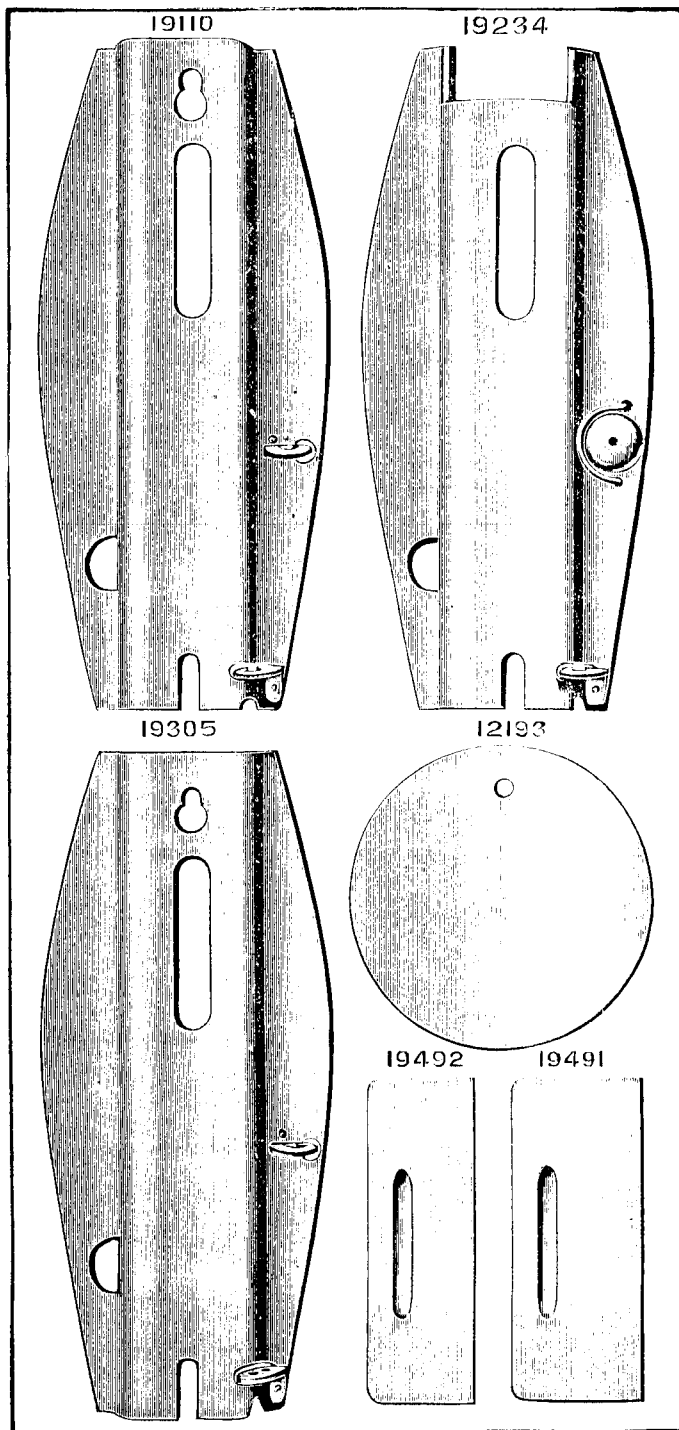


PLATE 1203—ONE-HALF SIZE

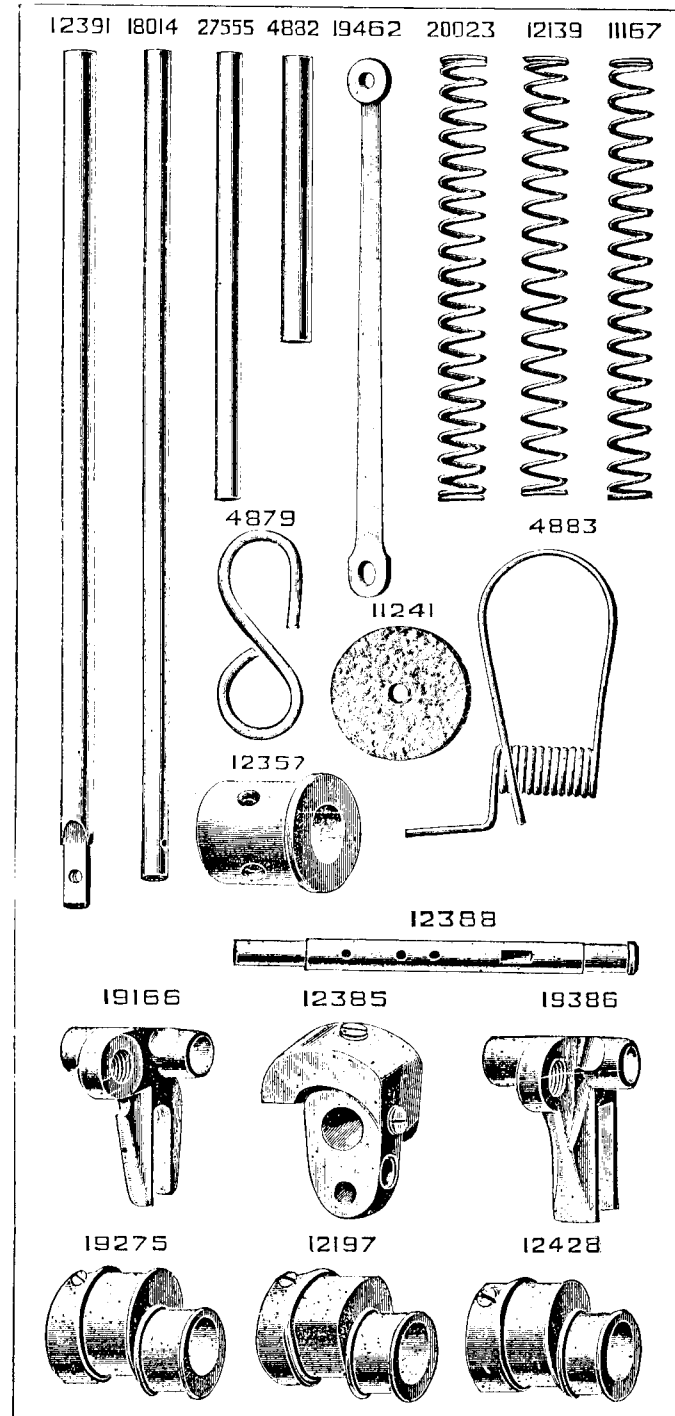


PLATE 1204—ONE-HALF SIZE

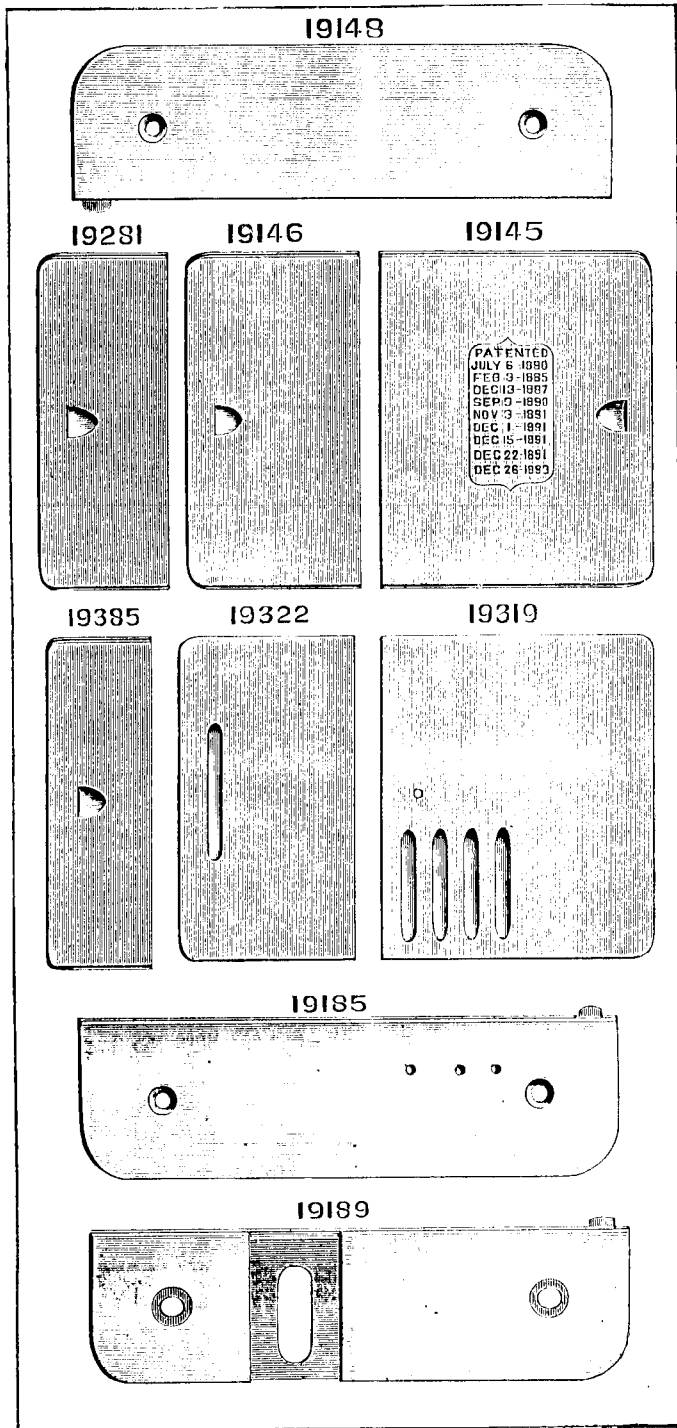


PLATE 1205—ONE-HALF SIZE

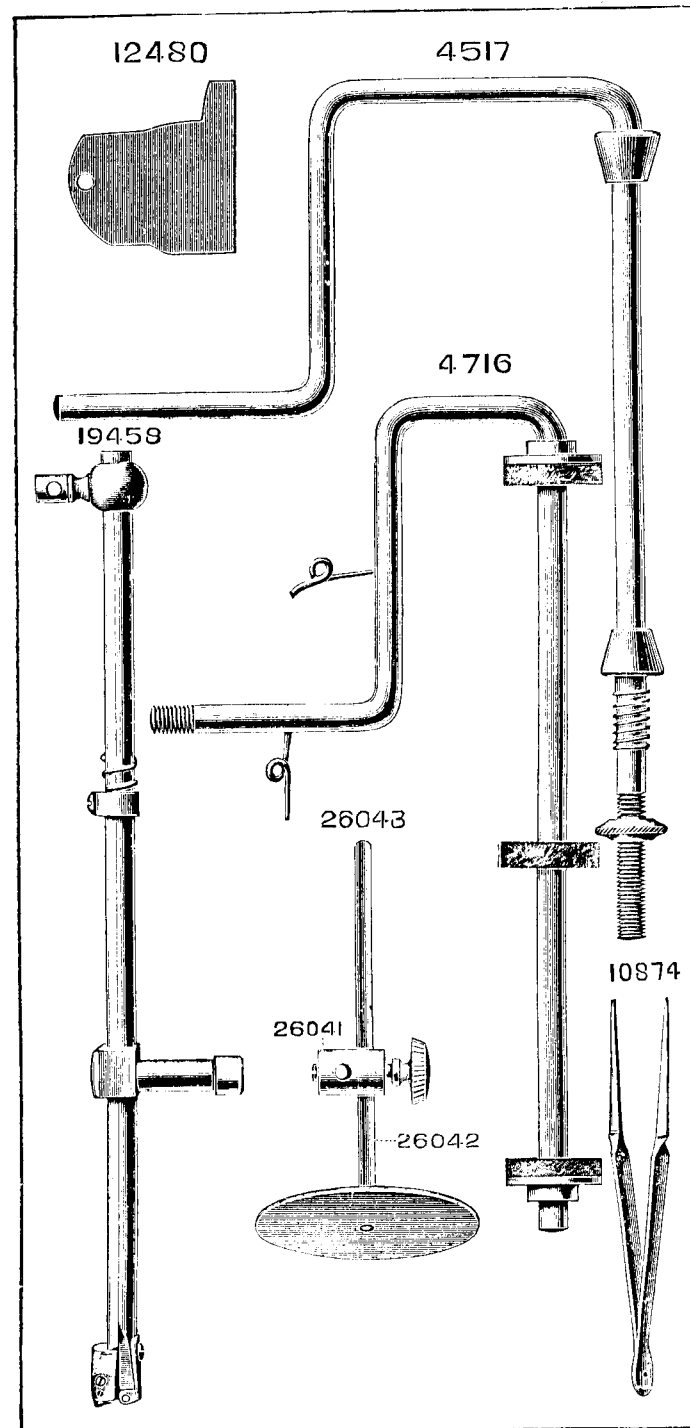


PLATE 1206—FULL SIZE

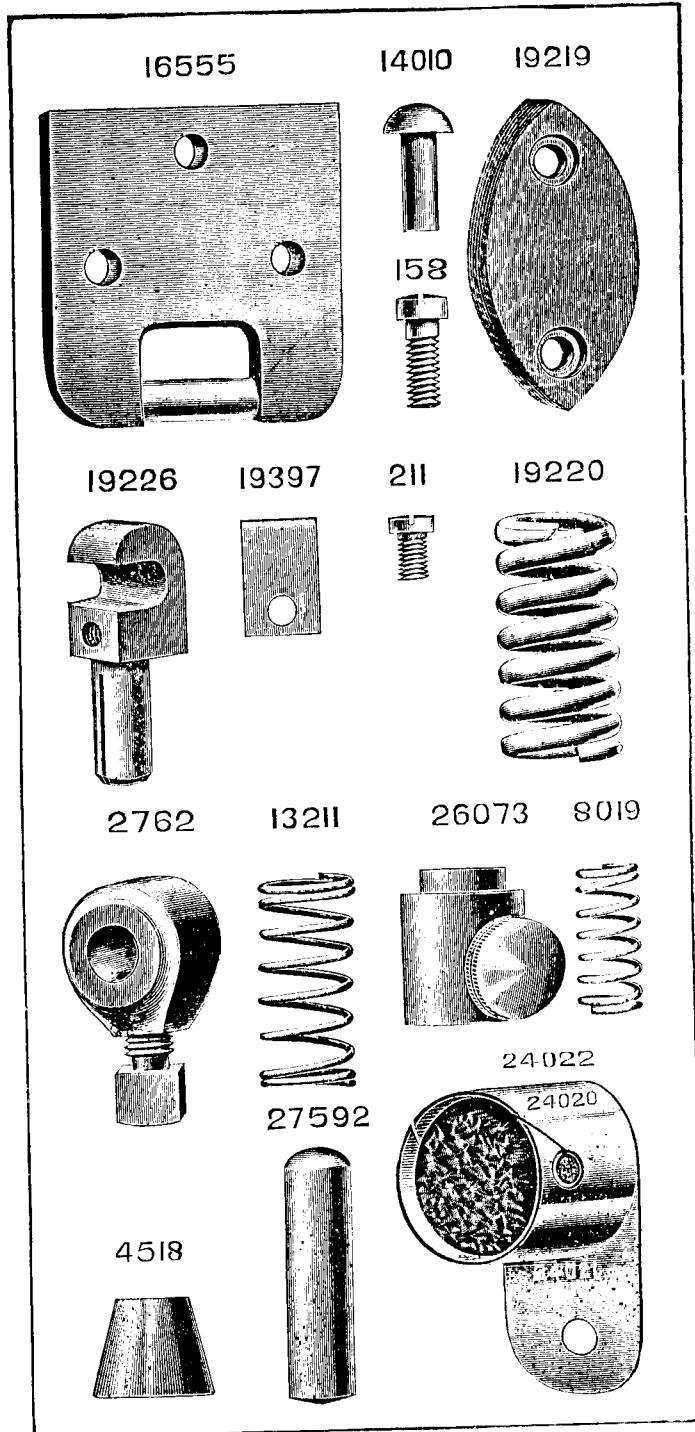


PLATE 1207—FULL SIZE

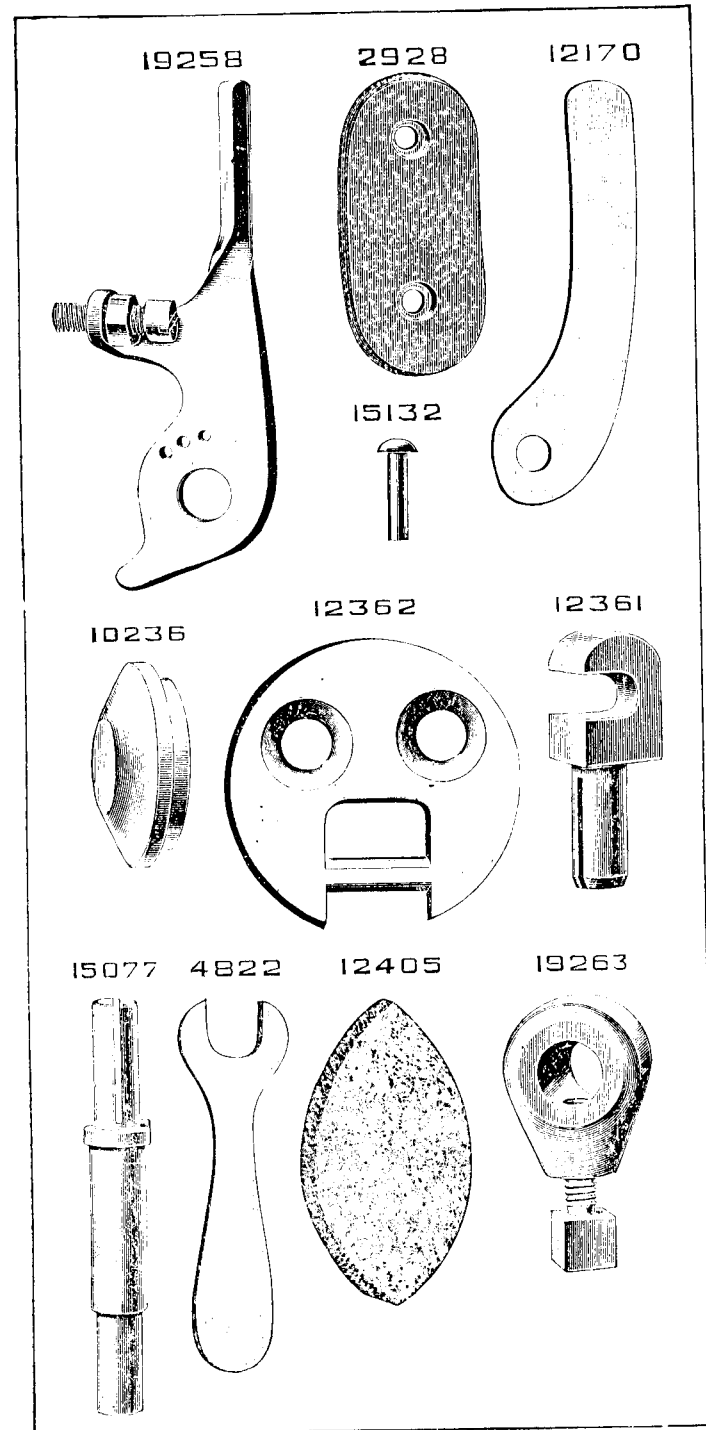


PLATE 1208—FULL SIZE

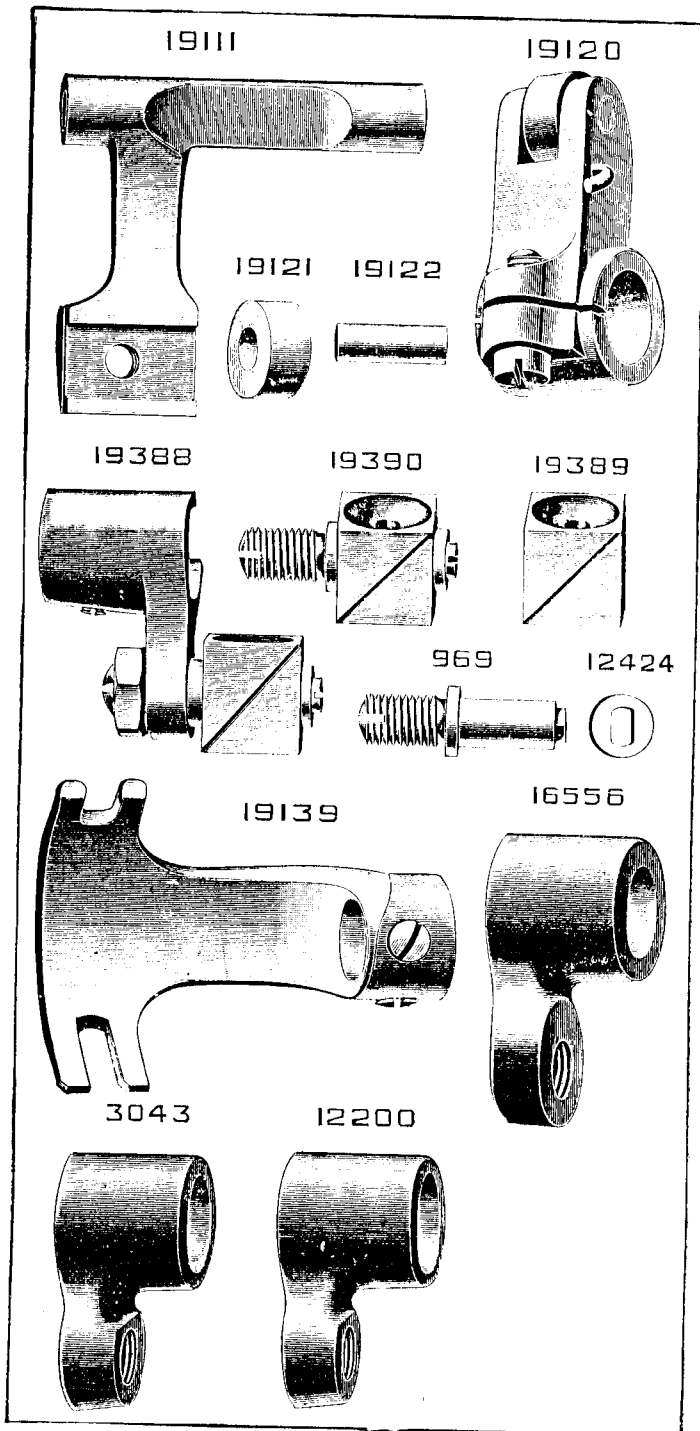


PLATE 1209—FULL SIZE

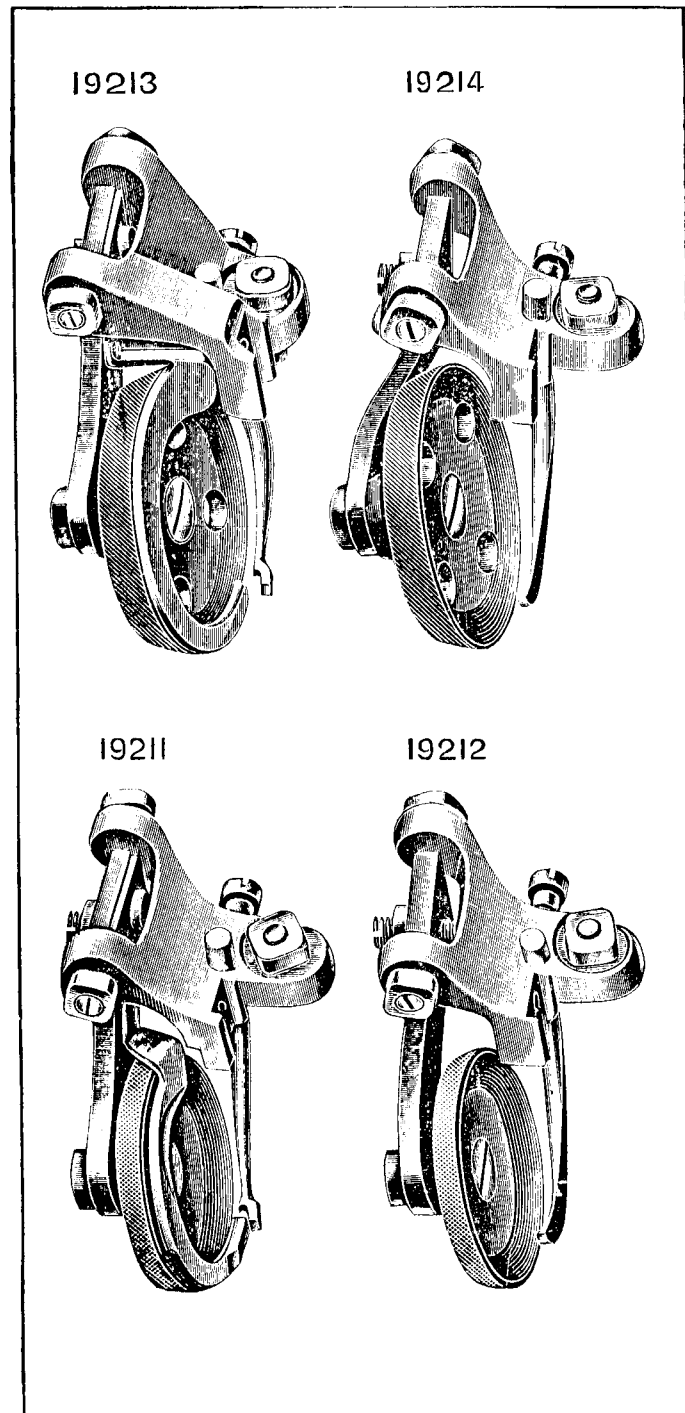


PLATE 1210—FULL SIZE

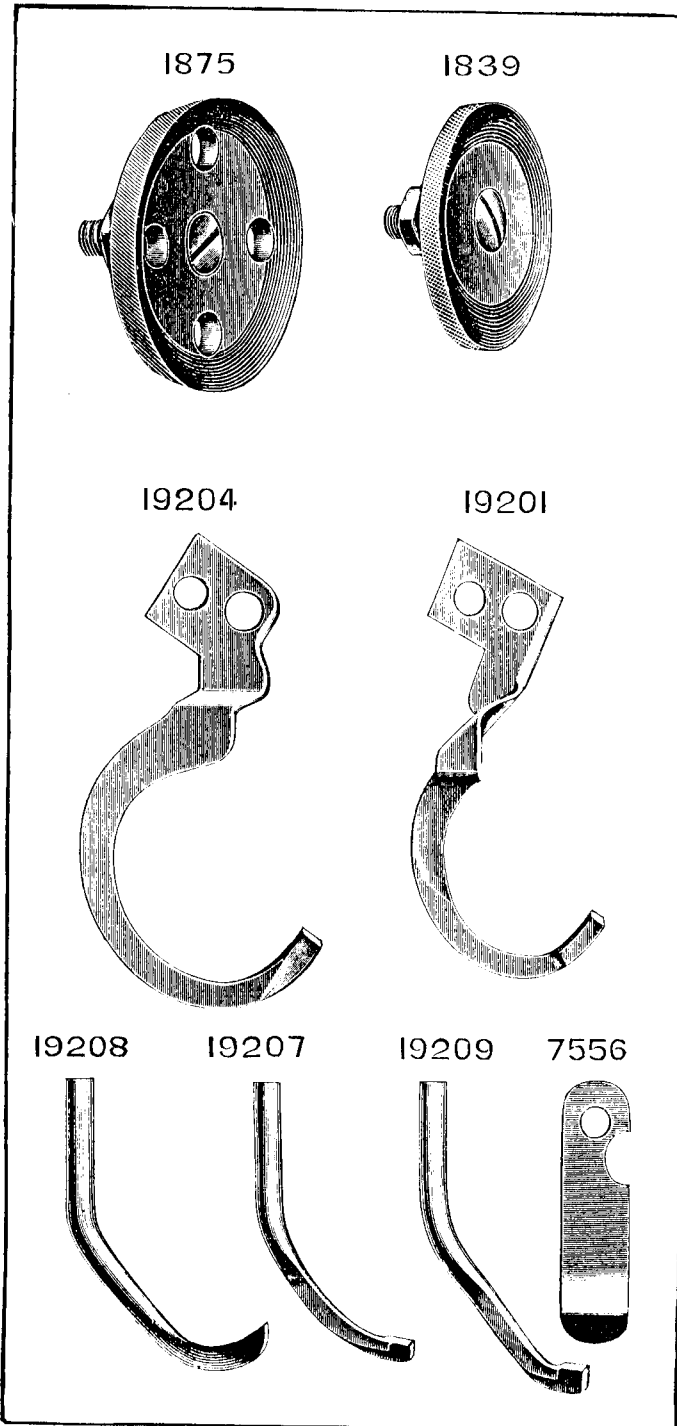


PLATE 1211—FULL SIZE

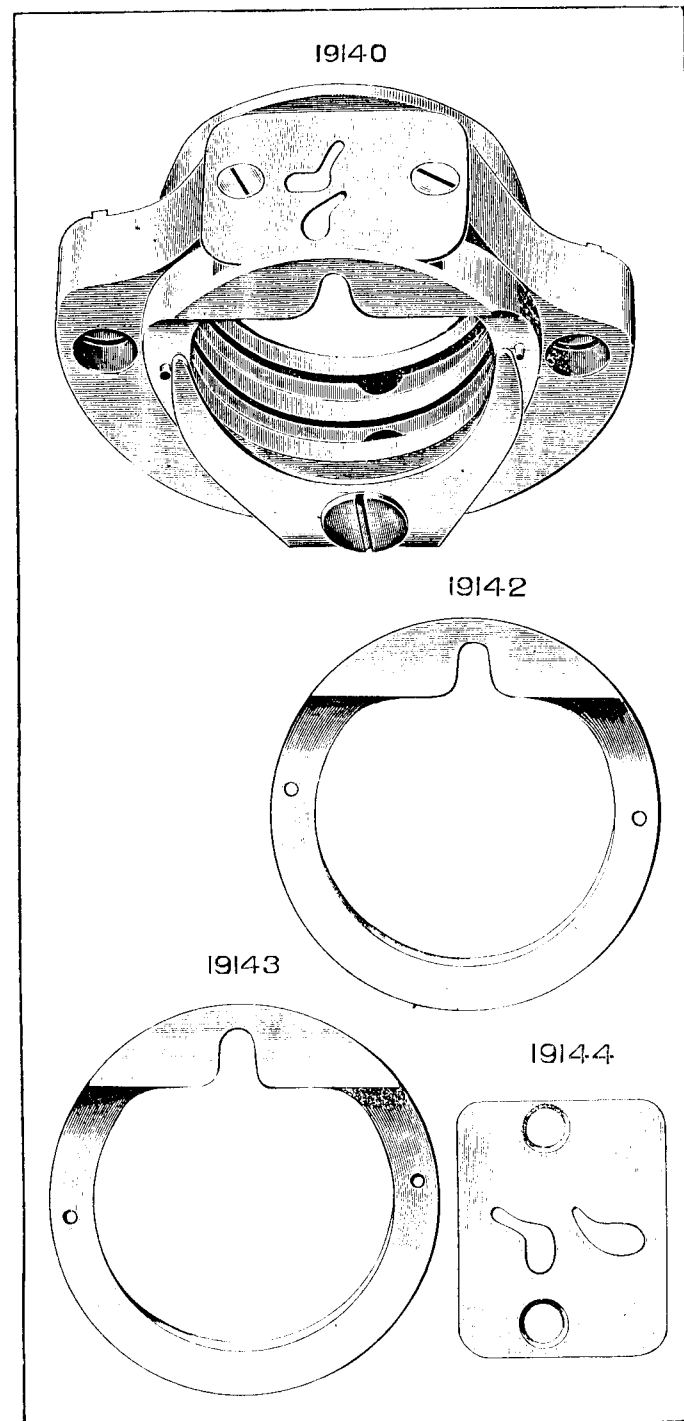


PLATE 1212—FULL SIZE

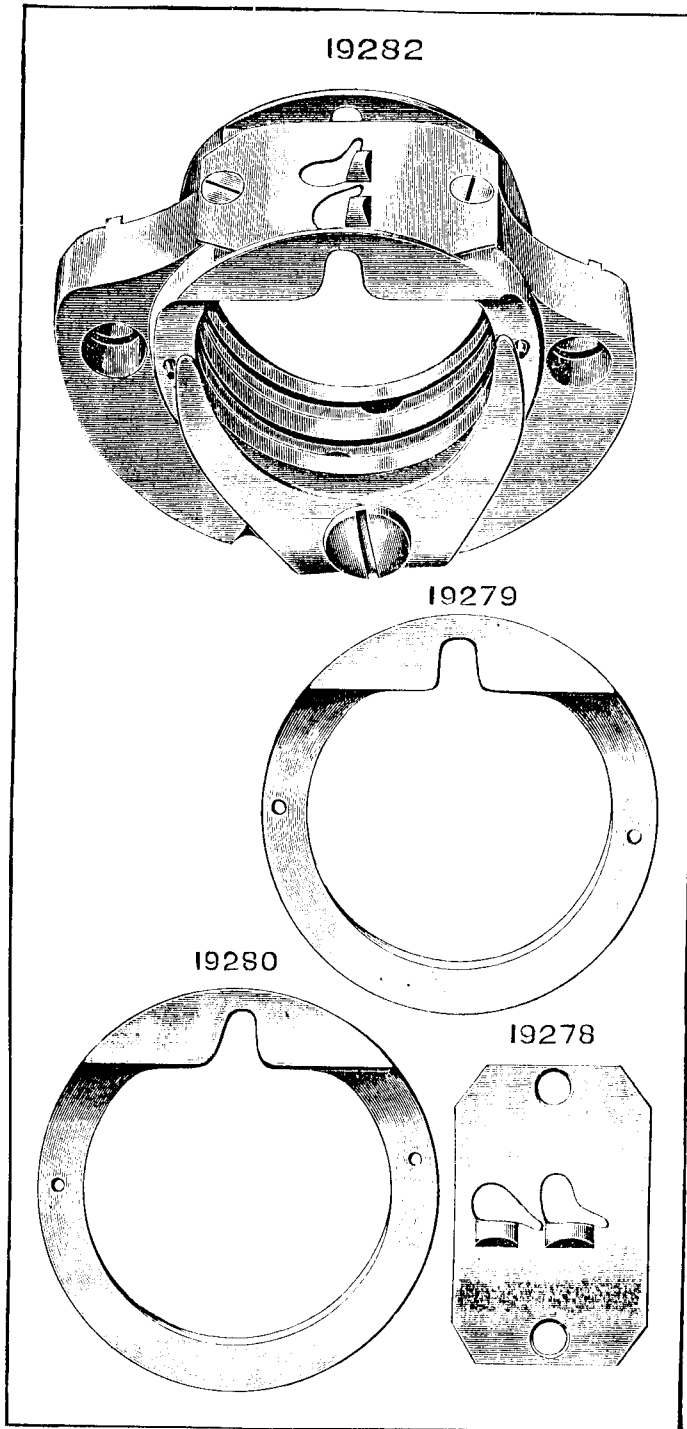


PLATE 1213 FULL SIZE

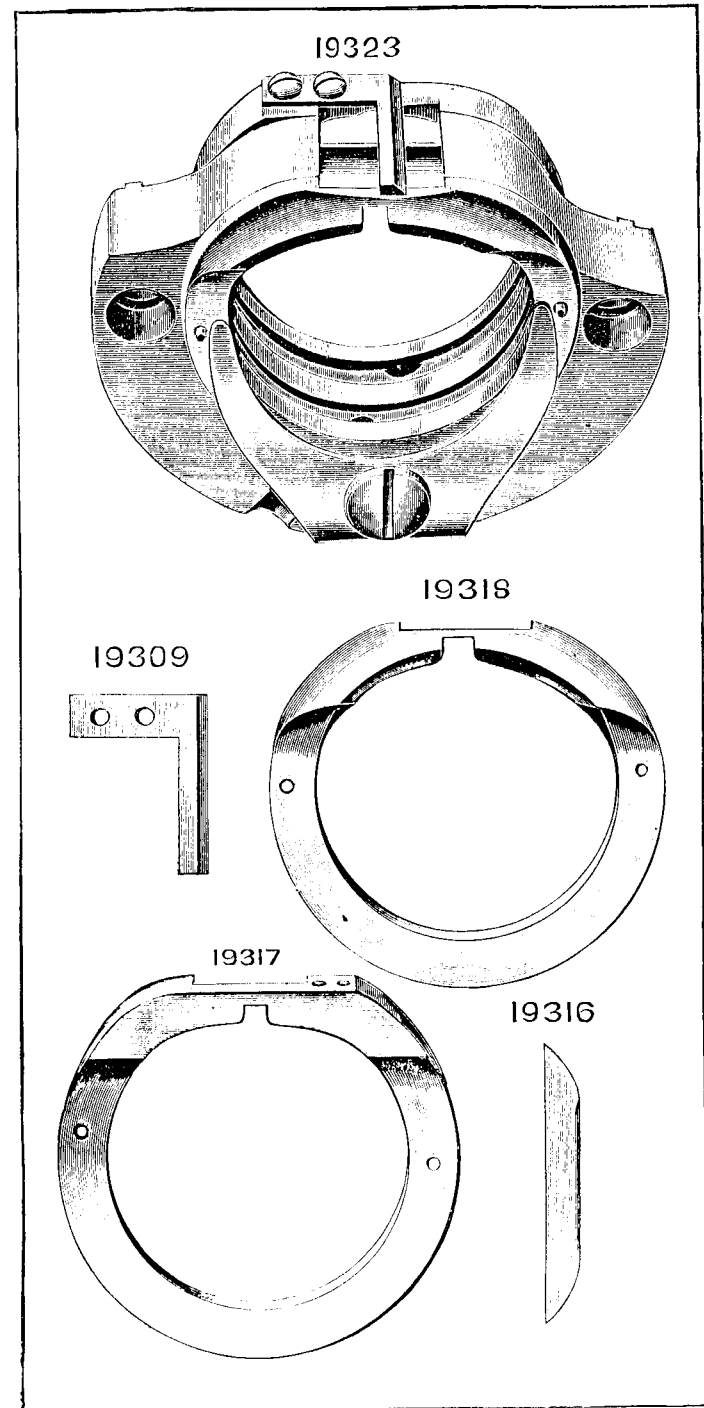
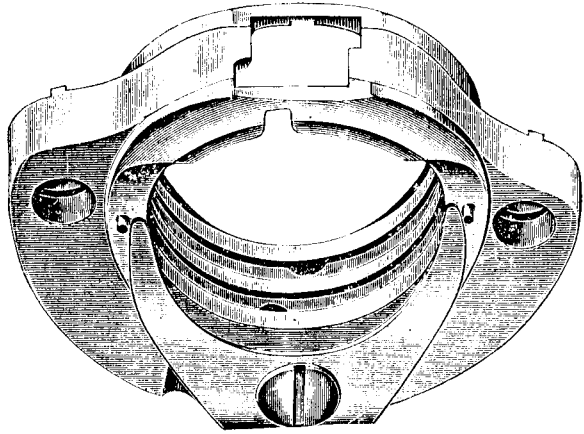
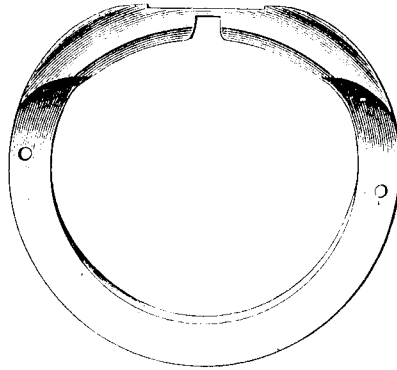


PLATE 1214—FULL SIZE

19382



19380



19381

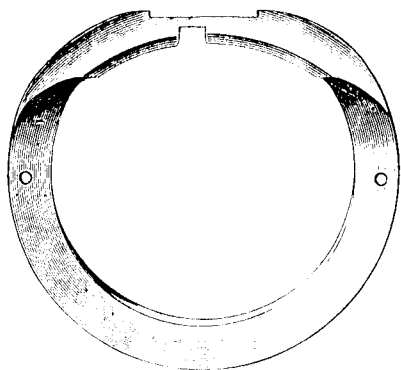
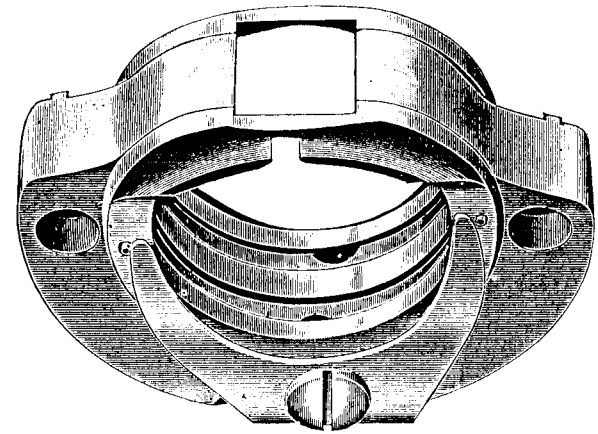
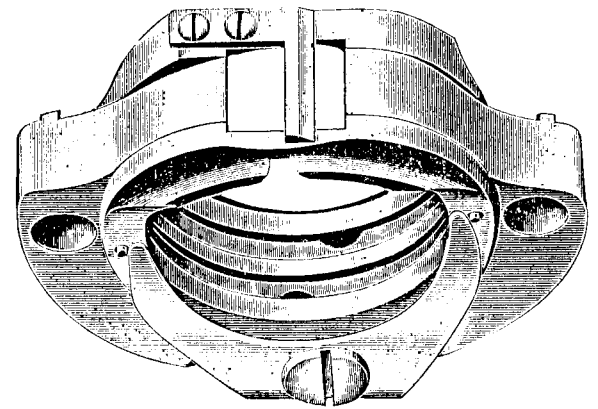


PLATE 1215—FULL SIZE

24014



24013



2533

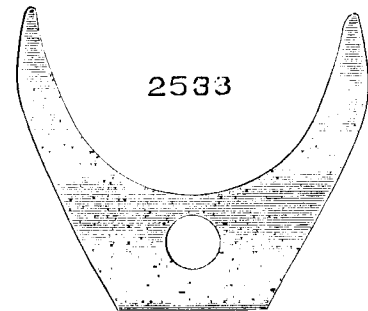




PLATE 1216—FULL SIZE

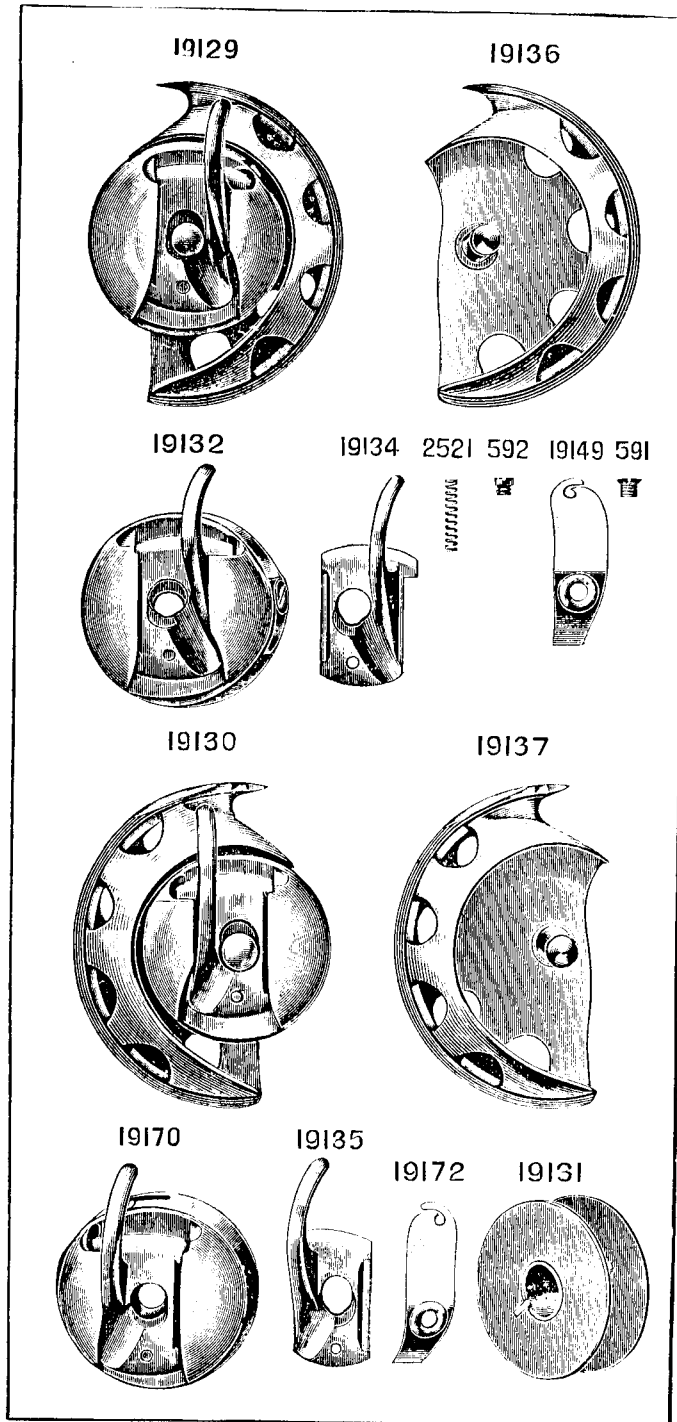


PLATE 1217—FULL SIZE

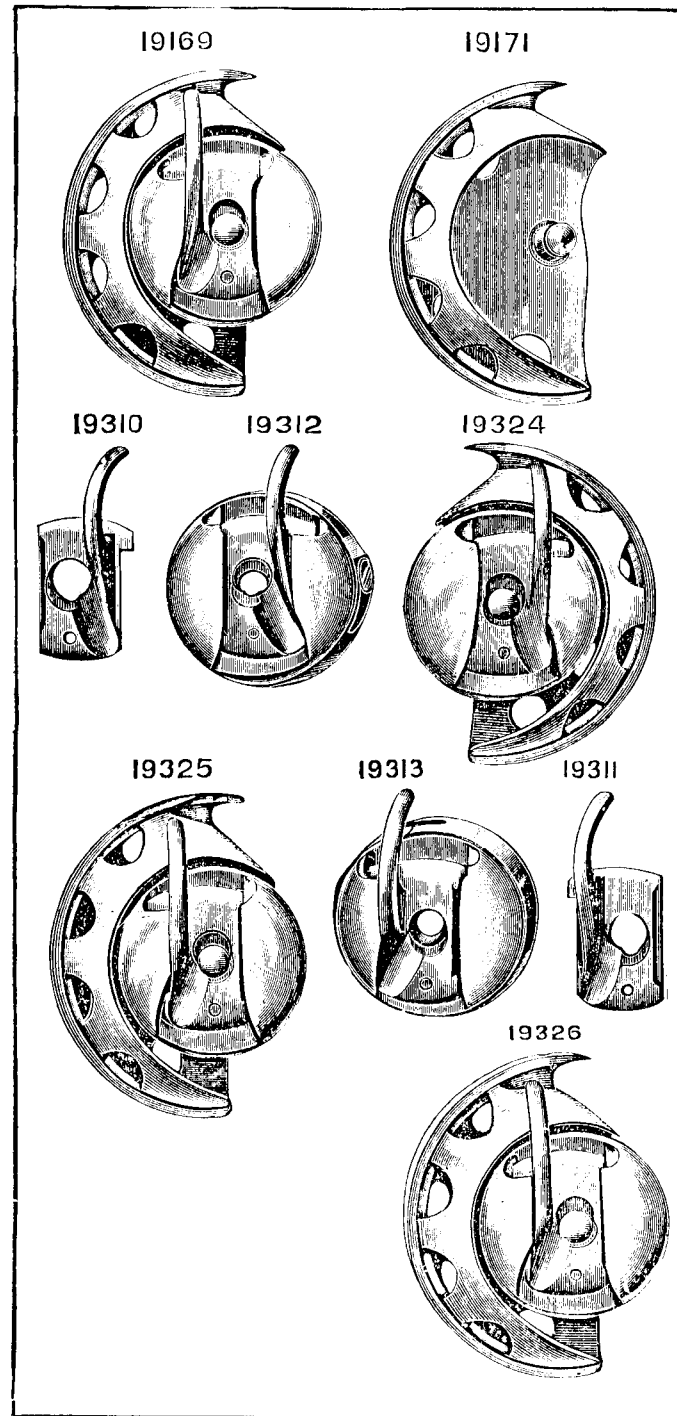


PLATE 1218—FULL SIZE

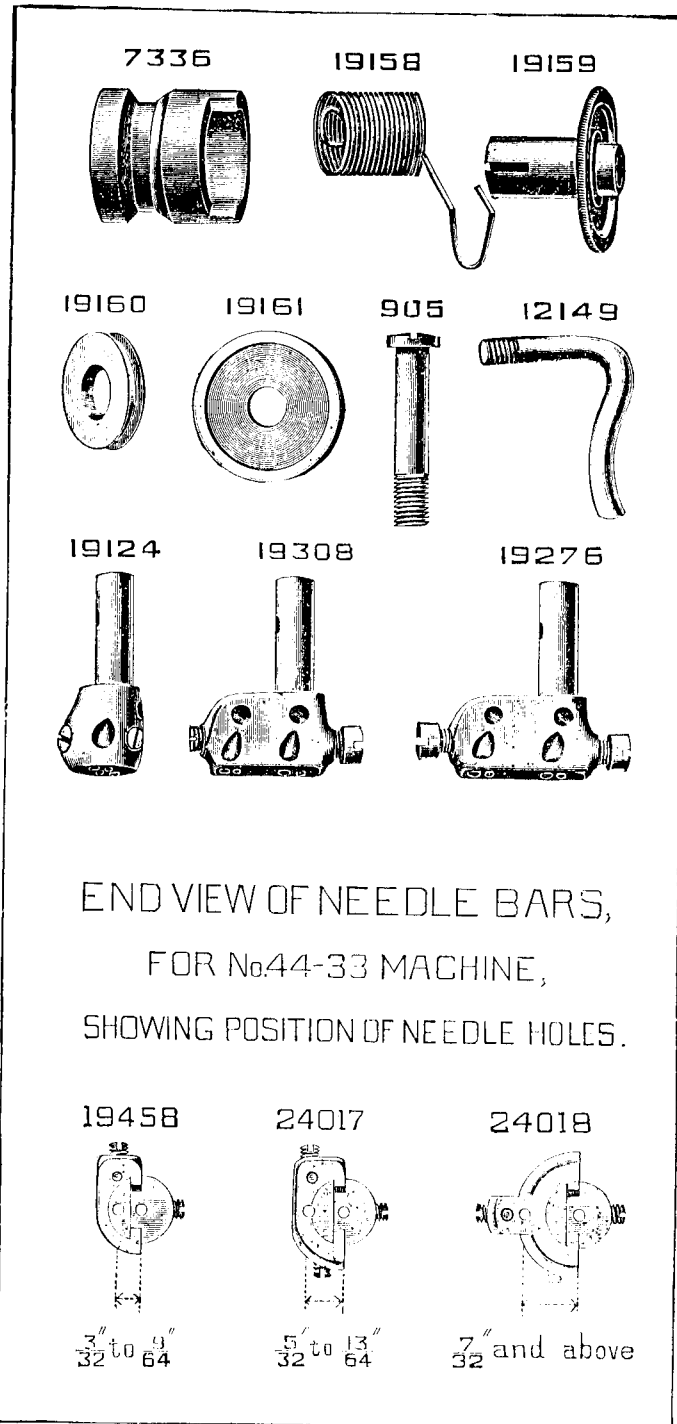


PLATE 1219—FULL SIZE

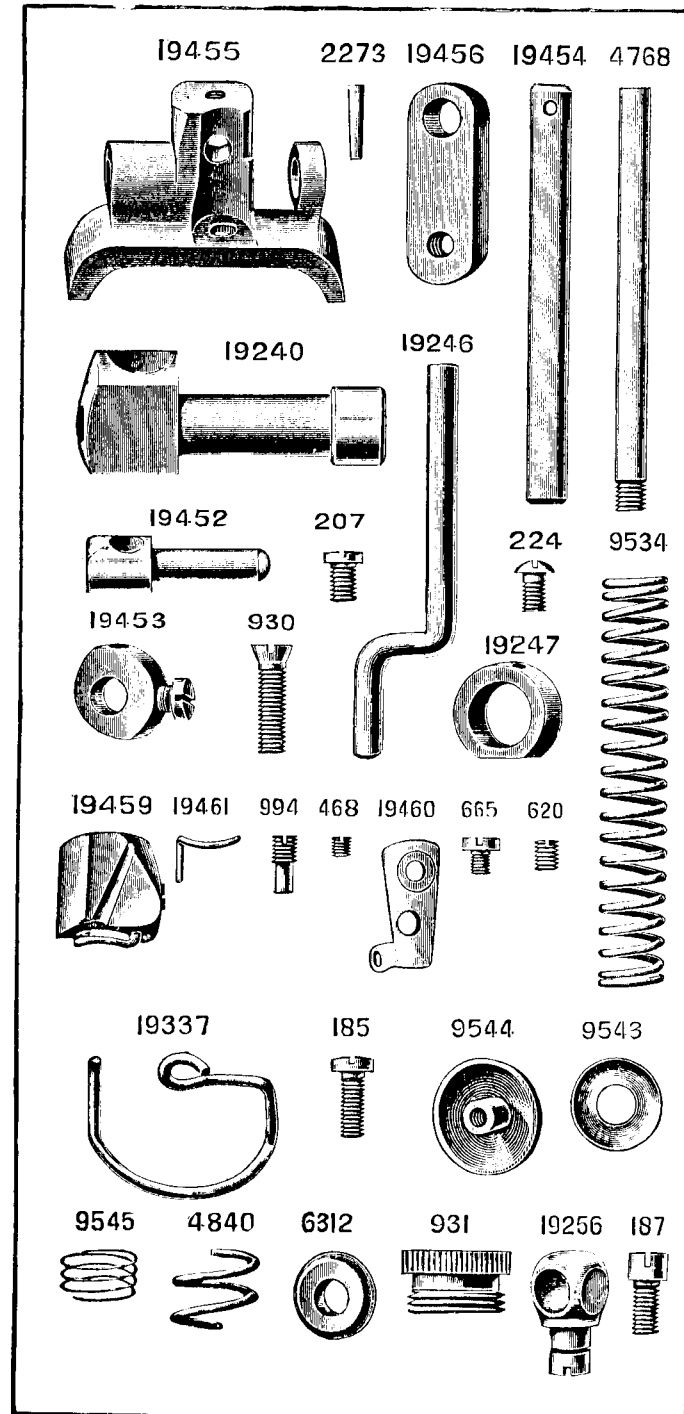
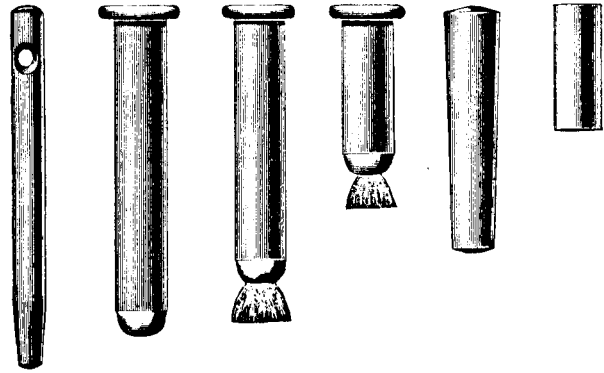


PLATE 1220—FULL SIZE

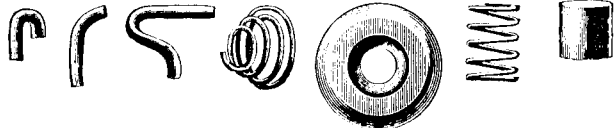
12403 12453 12454 11119 8582 5601



2022 7958 2049 26276 15072 2532 12495 12152 19116



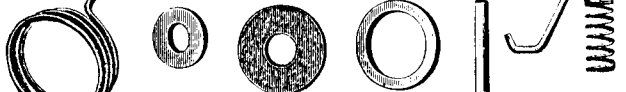
19118 19117 2106 10141 2455 19321 19320



19155 19154 19327 5602



27303 7071 12459 11170 10145 26231



19244

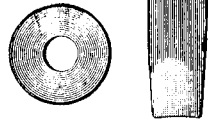
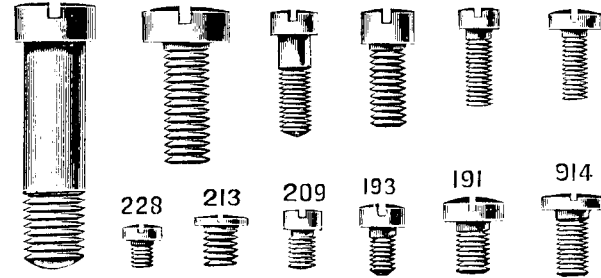


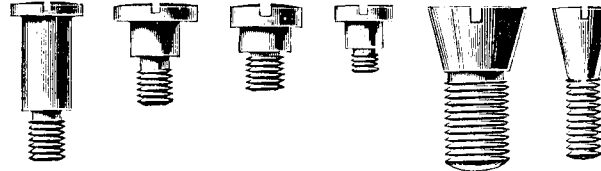
PLATE 1221—FULL SIZE

932 134 896 159 171 176

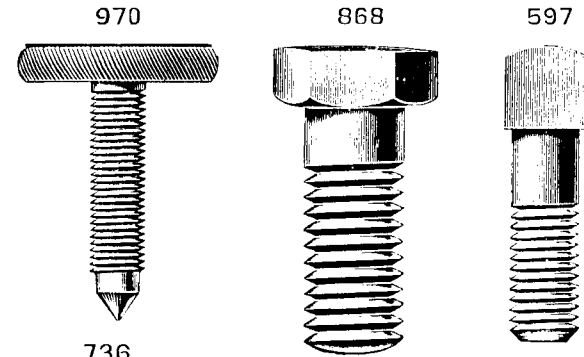


228 213 209 193 191 914

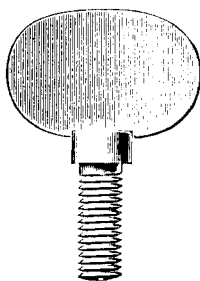
35 907 90 95 908 634



756 934 651 440 316 449 462 330 337



736



362



418



936



PLATE 1222—FULL SIZE

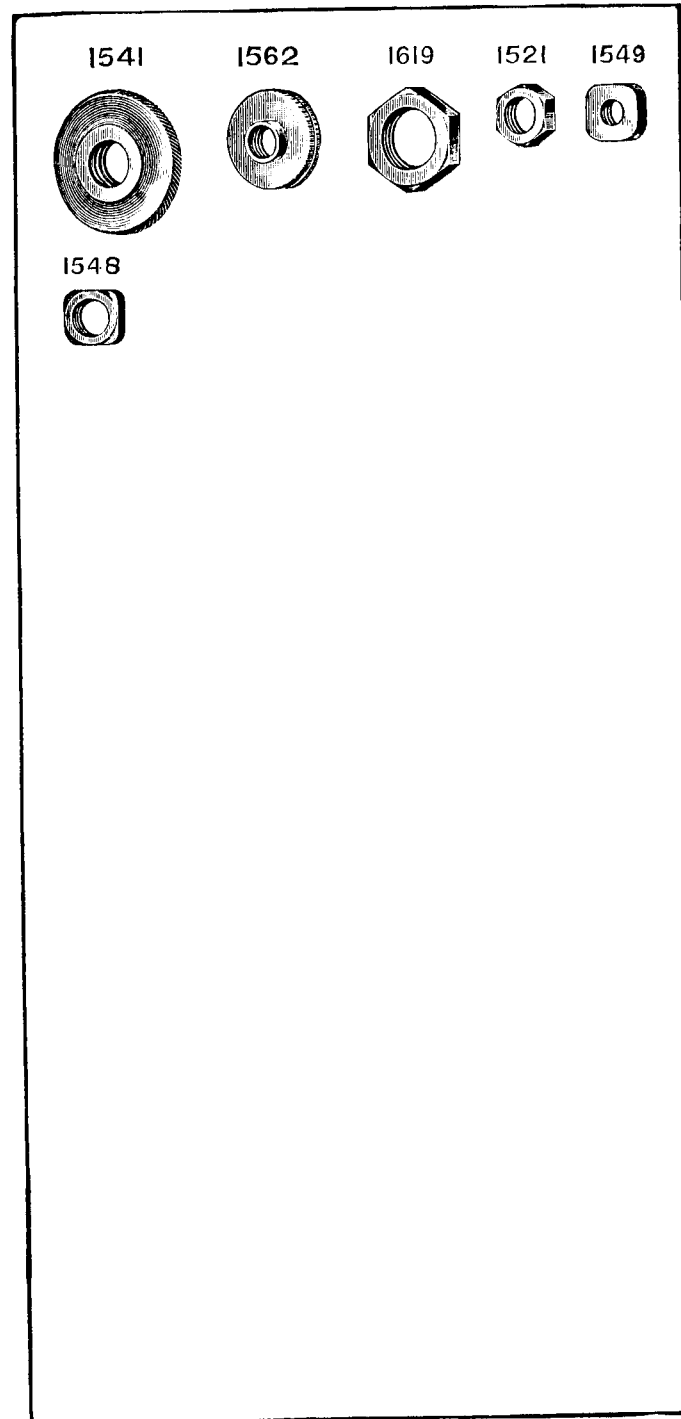


PLATE 1223—FULL SIZE

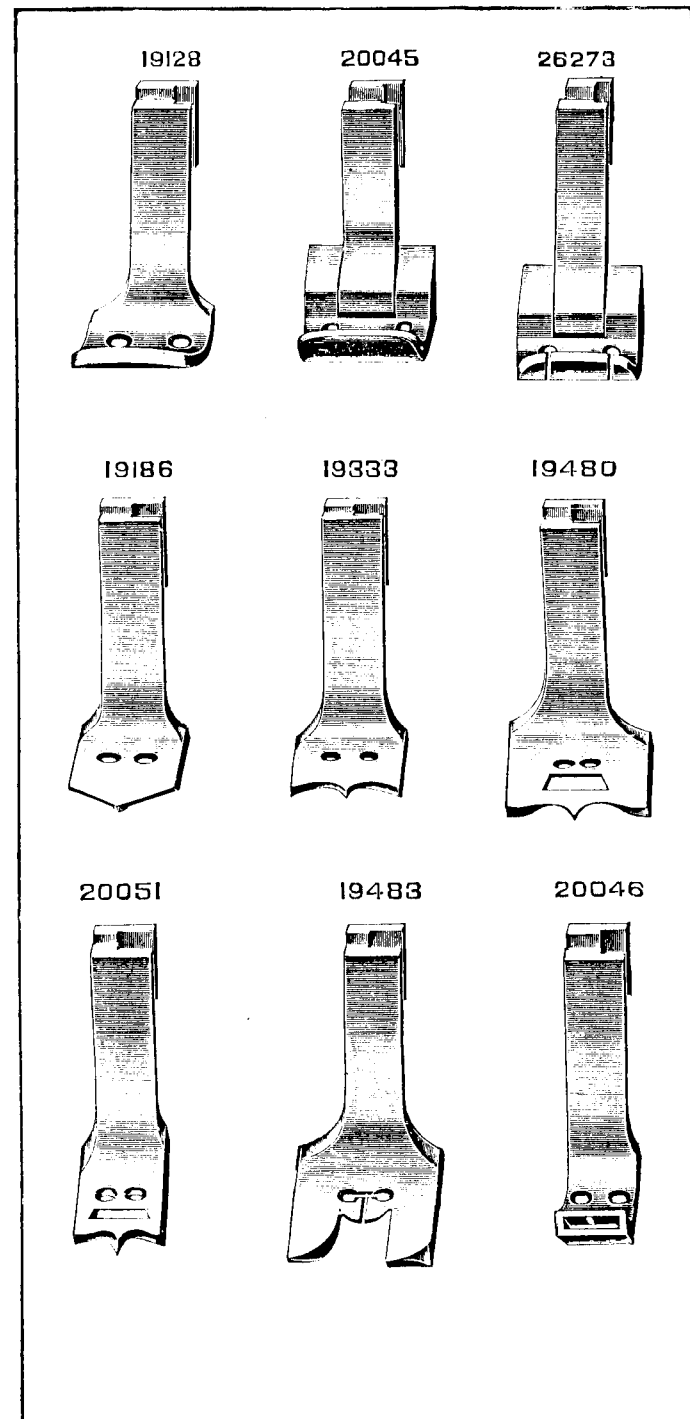
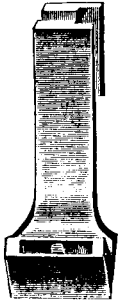
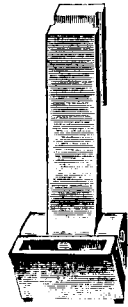


PLATE 1224—FULL SIZE

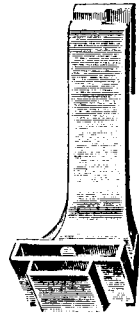
20050



20049



26408



26410



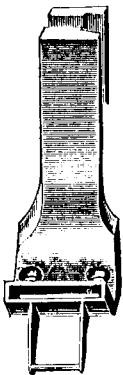
20052



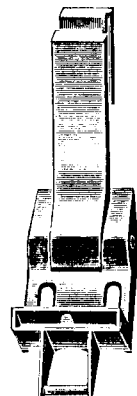
20053



26404



26406

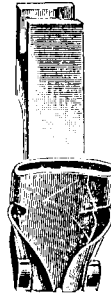


26407

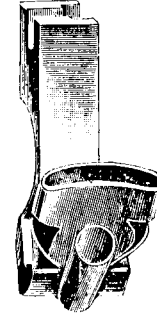


PLATE 1225—FULL SIZE

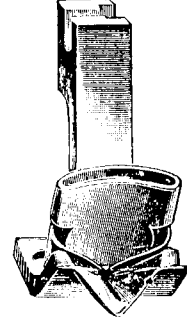
26415



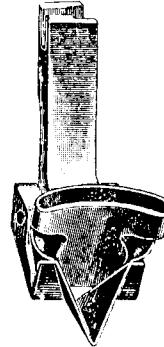
26411



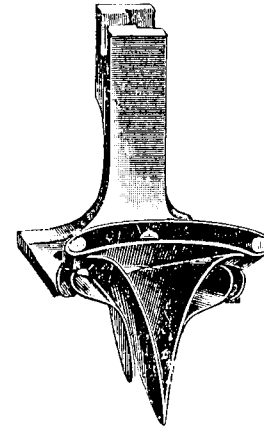
26416



26418



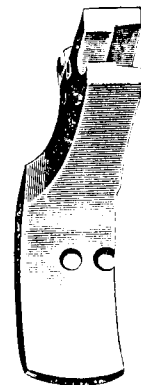
26414



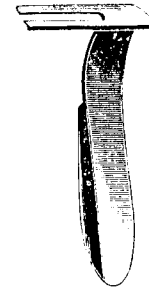
20112



19216



25967



26280



PLATE 1226—FULL SIZE

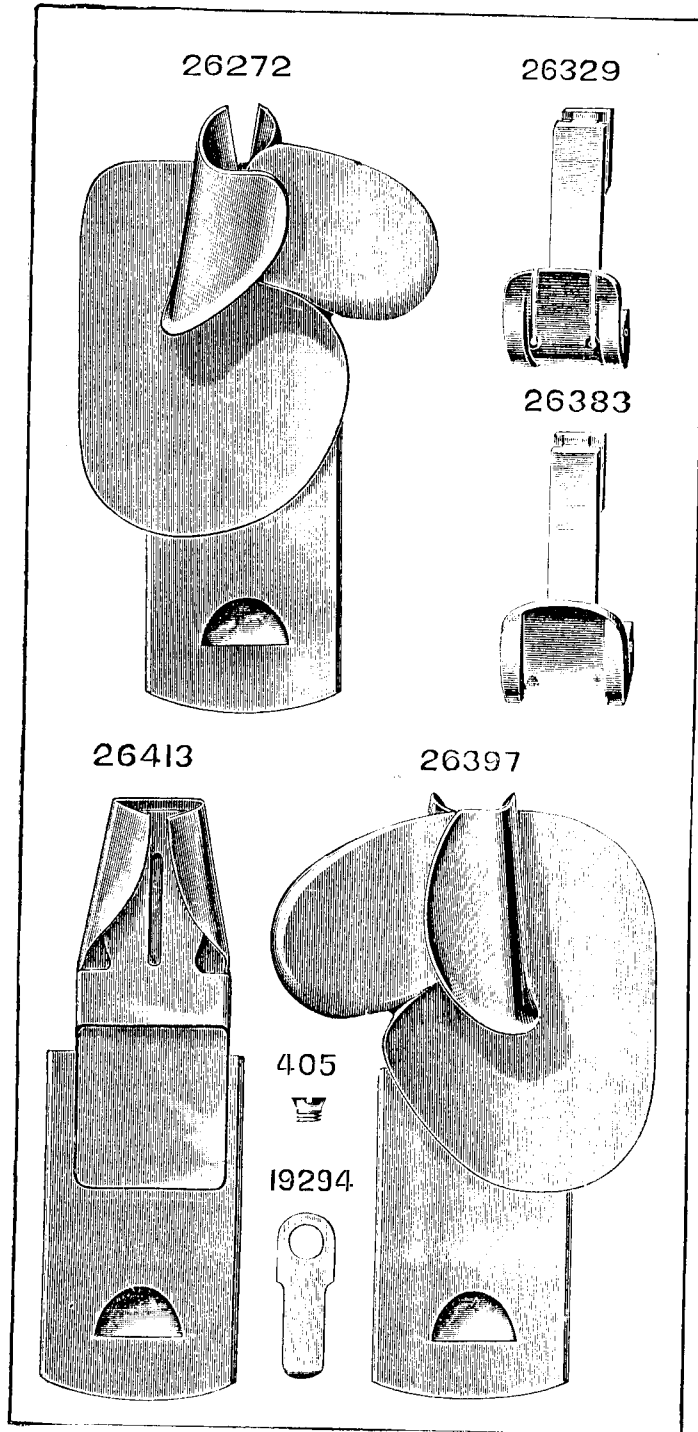


PLATE 1227—FULL SIZE

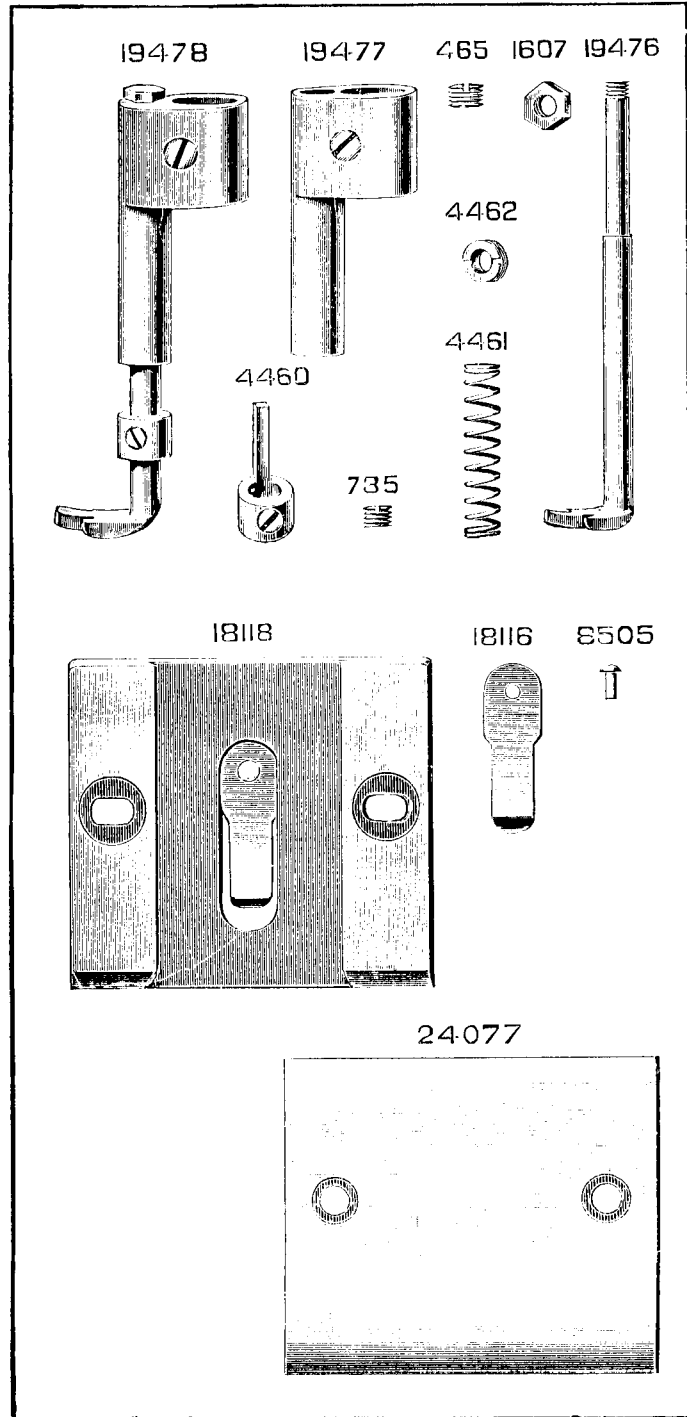


PLATE 1228—FULL SIZE

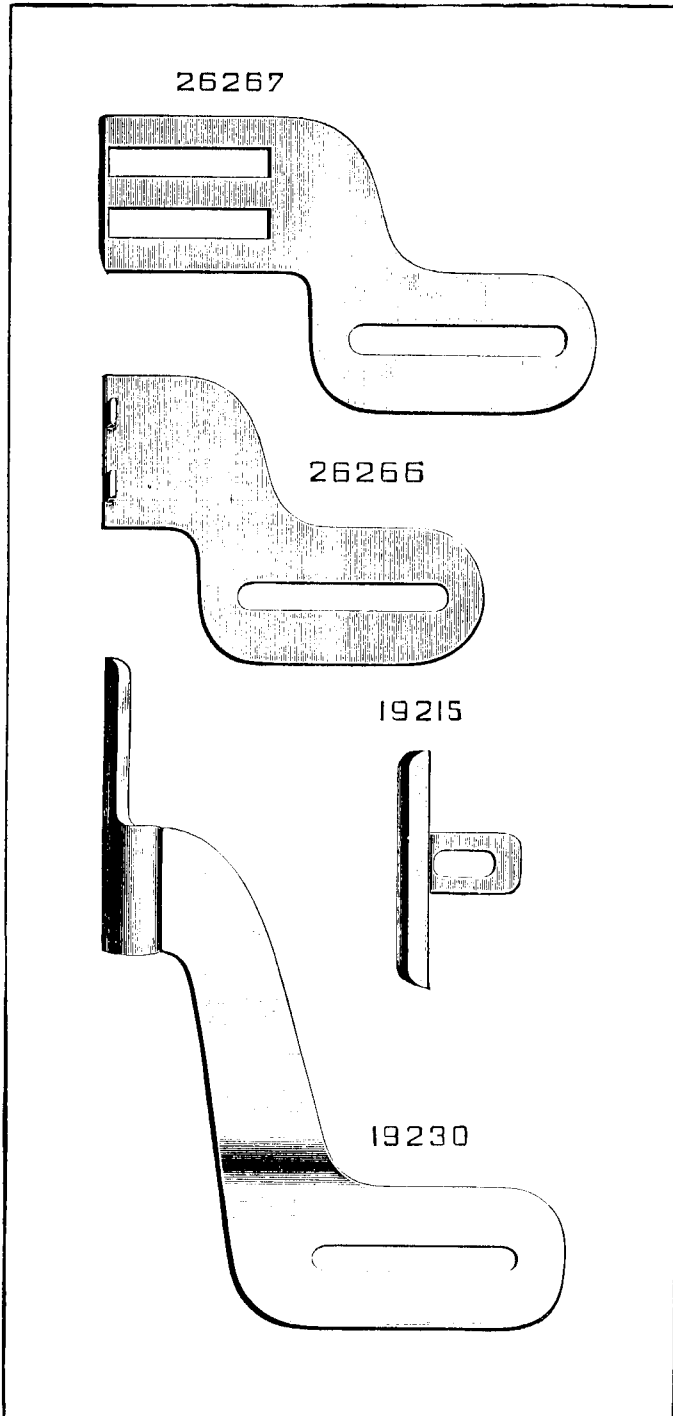


PLATE 1229—FULL SIZE

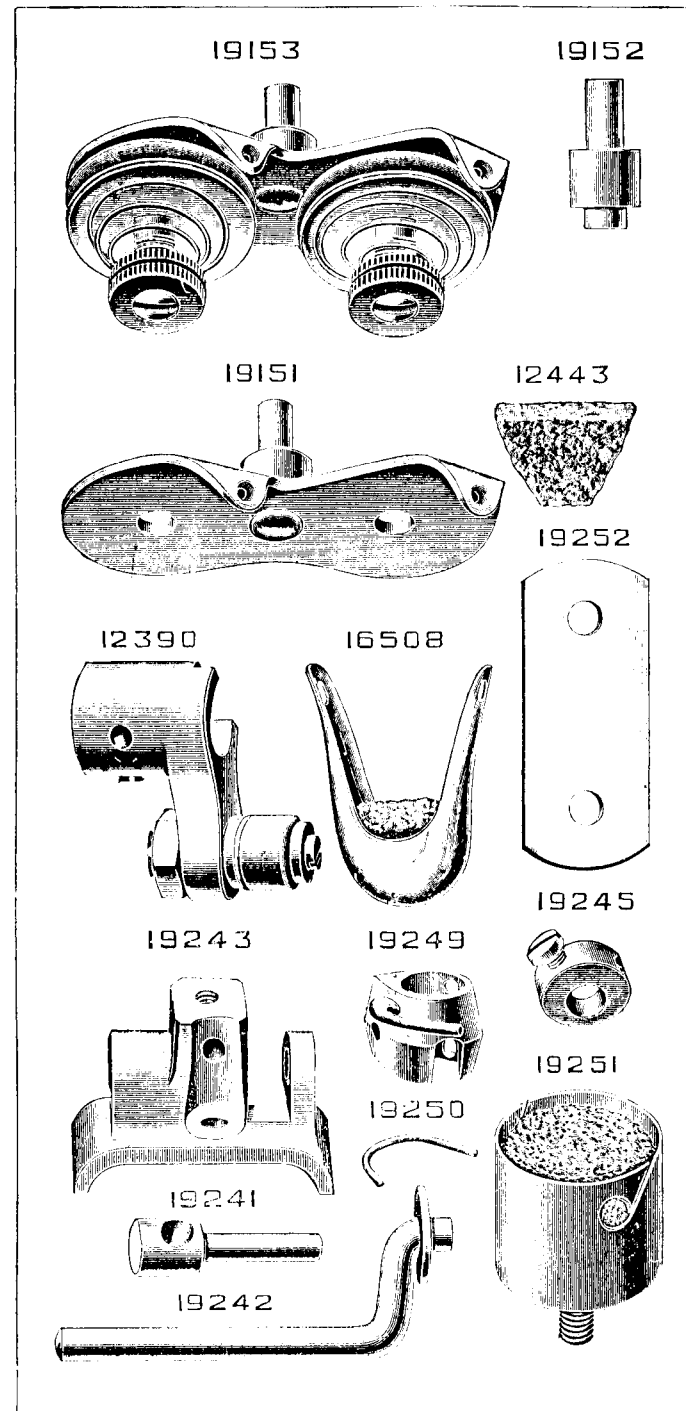


PLATE 1230—ONE-FOURTH SIZE

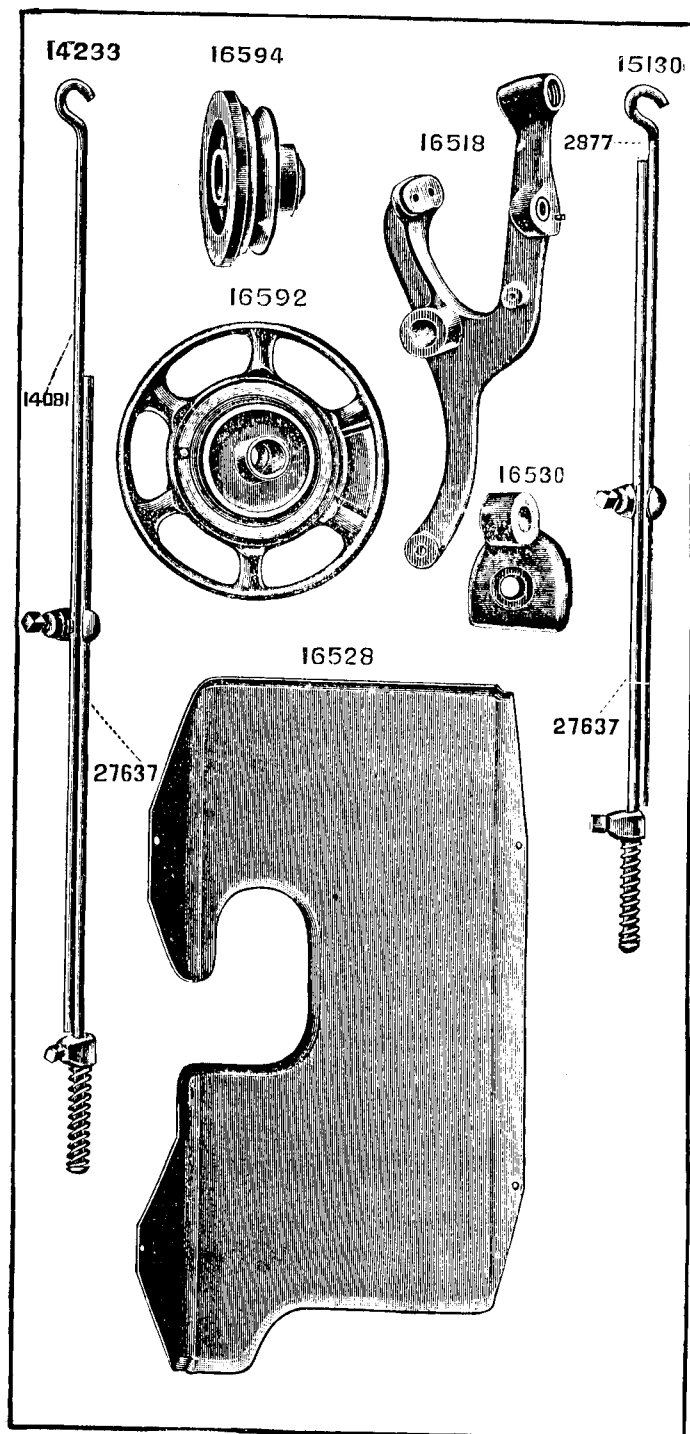


PLATE 1231—ONE-FOURTH SIZE

