

部 品 表

# ILLUSTRATED PARTS LIST

FOR

# SINGER

MACHINE

457A 105  
125  
135  
140  
143

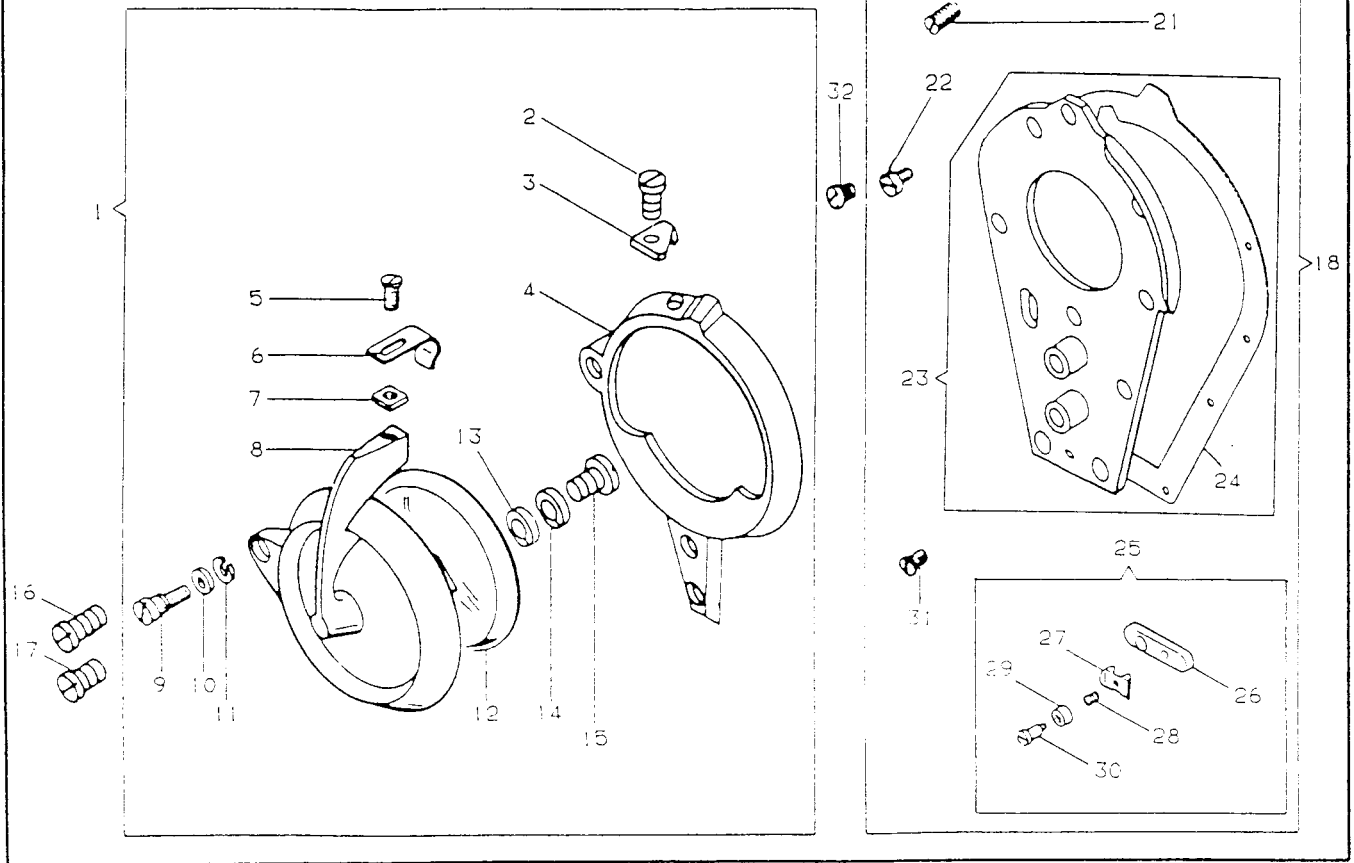
# CONTENTS

## 目 次

ROTARY TAKE-UP GUARD,FACE PLATE -----	1
天ビンガード,面板	
ARM SHAFT,ROTARY TAKE-UP -----	2
上軸,天ビン関係	
TENSION RELEASER,KNEE LIFTER ROCK FRAME -----	3
糸ユルメ,ヒザ上げテコ関係	
PRESSER BAR,THROAT PLATE,FEED DOG -----	4
押工棒,針板,送り歯	
NEEDLE BAR YOKE,NEEDLE -----	5
針幕フレーム,針関係	
NEEDLE BAR CONNECTING LINK(FOR 105/125) -----	6
針幕ヨーク関係(105/125用)	
NEEDLE BAR CONNECTING LINK(FOR 135/140) -----	7
針幕ヨーク関係(135/140用)	
NEEDLE BAR CONNECTING LINK(FOR 143) -----	8
針幕ヨーク関係(143用)	
NEEDLE VIBRATING YOKE CONNECTING LINK CARRIER FRAME(OPL.)(FOR 105/125/135/140) -----	9
ジグザグ幅調節器(組)(105/125/135/140用)	
NEEDLE VIBRATING YOKE CONNECTING LINK CARRIER FRAME(OPL.)(FOR 143) -----	10
ジグザグ幅調節器(組)(143用)	
FEED REGULATING INDICATOR,LINK -----	11
送り調節器,リンク	
NEEDLE VIBRATING ADJUSTING BRACKET -----	12
ジグザグ幅調節	
ARM COVER (TOP)(ASSEMBLY) -----	13
アーム上ブタ(総組)	
PRETENSION,TENSION -----	14
プリテンション,テンション	
HOOK,BOBBIN CASE -----	15
フック,ボビンケース	
HOOK SHAFT,BEVEL GEAR -----	16
フックシャフト,ベベルギア関係	
FEED DRIVING CONNECTION,CARRIER FRAME -----	17
フィードレバー,キャリア関係	
FEED CONTROL CAM -----	18
フィードカム	
FEED DRIVING ROCK SHAFT CRANK -----	19
水平送り軸クランク関係	
BED SHAFT -----	20
下軸関係	
ARM COVER (BACK) -----	21
アームカバー(後)関係	
OIL PUMP BODY -----	22
オイルポンプ関係	
ACCESSORIES -----	23
補用品	
OIL RESERVOIR AND KNEE LIFTER -----	24
油受け関係	
BELT GUARD,THREAD UNWINDER (2-SPOOL) -----	25
ベルトガード,二本糸立台	
OPTION 1 別売品 1 -----	26
OPTION 2 別売品 2 -----	27

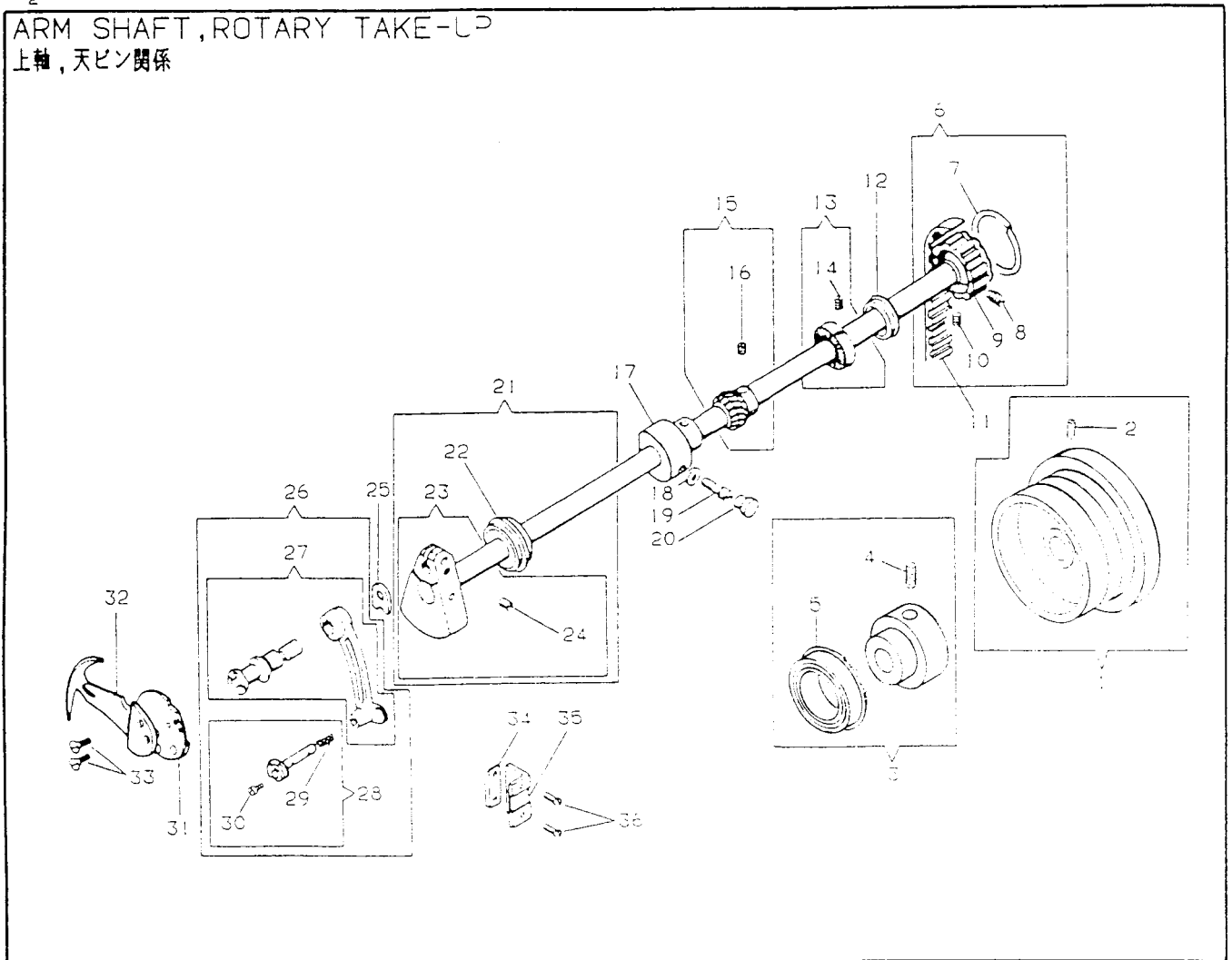
ROTARY TAKE-UP GUARD, FACE PLATE

天ピンガード、面板



NO.	部品番号 PART NO.	A105-L	A105-M	A125-L	A125-M	A135-L	A135-M	A140-M	A143-L	A143-M	数量 QTY	名称	DESCRIPTION
1	411014-451	●	●	●	●	●	●	●	●	●	1	天ピンガード(組)	ROTARY TAKE-UP GUARD (CPL.)
2	545318-452	●	●	●	●	●	●	●	●	●	1	糸切り用メネジ	THREAD CUTTER (ON ROTARY TAKE-UP GUARD) SCREW
3	502670	●	●	●	●	●	●	●	●	●	1	糸切り	THREAD CUTTER (ON ROTARY TAKE-UP GUARD)
4	411015-451	●	●	●	●	●	●	●	●	●	1	天ピンガード	ROTARY TAKE-UP GUARD
5	500246-850	●	●	●	●	●	●	●	●	●	1	天ピンガードカバーネジ	ROTARY TAKE-UP GUARD SPRING CATCH SCREW
6	276508	●	●	●	●	●	●	●	●	●	1	天ピンガードカバーネジ	ROTARY TAKE-UP GUARD SPRING CATCH SCREW
7	504507	●	●	●	●	●	●	●	●	●	1	天ピンガードカバーネジナット	ROTARY TAKE-UP GUARD SPRING CATCH SCREW NUT
8	411016-451	●	●	●	●	●	●	●	●	●	1	天ピンガードカバー	ROTARY TAKE-UP GUARD COVER
9	544298	●	●	●	●	●	●	●	●	●	1	天ピンガードカバー用ネジ	ROTARY TAKE-UP GUARD HINGE SCREW
10	230743	●	●	●	●	●	●	●	●	●	1	天ピンガードカバー用ネジ用垫金	ROTARY TAKE-UP GUARD HINGE SCREW WASHER
11	502622	●	●	●	●	●	●	●	●	●	1	天ピンガードカバー用ネジ用垫金	ROTARY TAKE-UP GUARD HINGE SCREW SPRING WASHER
12	272128	●	●	●	●	●	●	●	●	●	1	天ピンガードカバー用窓ネジ	ROTARY TAKE-UP GUARD COVER WINDOW SCREW
13	543975-104	●	●	●	●	●	●	●	●	●	1	天ピンガードカバー用窓ネジ用垫金	ROTARY TAKE-UP GUARD COVER WINDOW SCREW WASHER
14	543805-003	●	●	●	●	●	●	●	●	●	1	天ピンガードカバー用窓ネジ用垫金	ROTARY TAKE-UP GUARD COVER WINDOW SCREW SPRING WASHER
15	545082-452	●	●	●	●	●	●	●	●	●	1	天ピンガードカバー用窓ネジ	ROTARY TAKE-UP GUARD COVER WINDOW SCREW
16	545244-452	●	●	●	●	●	●	●	●	●	1	天ピンガード用メネジ(長)	ROTARY TAKE-UP GUARD SCREW (LONG)
17	545246-452	●	●	●	●	●	●	●	●	●	1	天ピンガード用メネジ(短)	ROTARY TAKE-UP GUARD SCREW (SHORT)
18	282176	●	●	●	●	●	●	●	●	●	1	面板(組)	FACE PLATE (CPL.)
19	541178	●	●	●	●	●	●	●	●	●	1	糸切り調節ネジナット	THREAD CUTTER (ON FACE PLATE) ADJUSTING SCREW NUT
20	411088	●	●	●	●	●	●	●	●	●	1	糸切り	THREAD CUTTER (ON FACE PLATE)
21	50429-833	●	●	●	●	●	●	●	●	●	1	糸切り調節ネジ	THREAD CUTTER (ON FACE PLATE) ADJUSTING SCREW
22	500262-833	●	●	●	●	●	●	●	●	●	1	糸切り用メネジ	THREAD CUTTER (ON FACE PLATE) SCREW
23	282284	●	●	●	●	●	●	●	●	●	1	面板、ガスケット(組)	FACE PLATE, GASKET (CPL.)
24	282178	●	●	●	●	●	●	●	●	●	1	面板ガスケット	FACE PLATE GASKET
25	417905	●	●	●	●	●	●	●	●	●	1	スレッドニッパー(組)	NEEDLE THREAD NIPPER (CPL.)
26	417906	●	●	●	●	●	●	●	●	●	1	スレッドニッパープレート	NEEDLE THREAD NIPPER PLATE
27	416647	●	●	●	●	●	●	●	●	●	1	スレッドニッパーガイド	NEEDLE THREAD NIPPER THREAD GUIDE
28	416648	●	●	●	●	●	●	●	●	●	1	スレッドニッパースプリング	NEEDLE THREAD NIPPER SPRING
29	546870	●	●	●	●	●	●	●	●	●	1	スレッドニッパースプリングキャップ	NEEDLE THREAD NIPPER SPRING CAP
30	374356	●	●	●	●	●	●	●	●	●	1	スレッドニッパー用ネジ	NEEDLE THREAD NIPPER HINGE SCREW
31	500262-833	●	●	●	●	●	●	●	●	●	1	糸切り用メネジ	THREAD GUIDE (ON FACE PLATE) SCREW
32	500246-850	●	●	●	●	●	●	●	●	●	8	面板用メネジ	FACE PLATE SCREW

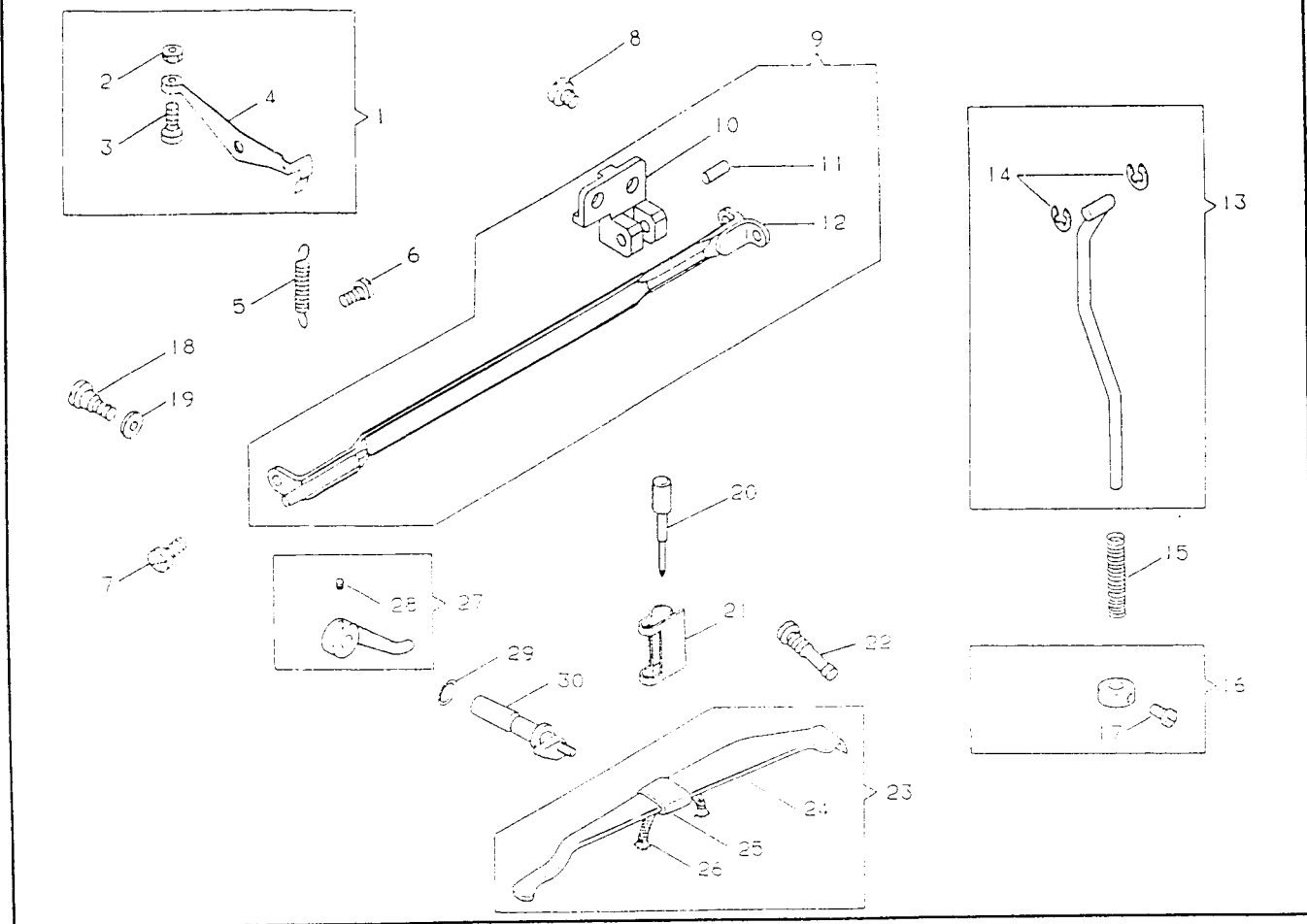
ARM SHAFT, ROTARY TAKE-UP  
上軸, 天ピン関係



NO.	部品番号 PART NO.	A105-L A105-M A125-L A125-M A135-L A135-M A140-L A140-M A143-L A143-M						数量 QTY.	名称	DESCRIPTION				
1	282180-451	●	●	●	●	●	●	●	●	●	●	1	ハズミ車(組)	MACHINE PULLEY (CPL.)
2	141567-833	●	●	●	●	●	●	●	●	●	●	2	ハズミ車締メネジ	MACHINE PULLEY SET SCREW
3	282182	●	●	●	●	●	●	●	●	●	●	1	上軸ベアリング・スラストカラー(組)	ARM SHAFT BEARING, THRUST CALLAR (CPL.)
4	544209-005	●	●	●	●	●	●	●	●	●	●	2	上軸スラストカラー止メネジ	ARM SHAFT THRUST CALLAR SET SCREW
5	272142	●	●	●	●	●	●	●	●	●	●	1	上軸ベアリング	ARM SHAFT BEARING
6	502682	●	●	●	●	●	●	●	●	●	●	1	上軸ベルトプーリー(組)	ARM SHAFT CONNECTION BELT PULLEY (CPL.)
7	214206	●	●	●	●	●	●	●	●	●	●	1	上軸ベルトプーリーリング	ARM SHAFT CONNECTION BELT PULLEY RING
8	500272-833	●	●	●	●	●	●	●	●	●	●	1	上軸ベルトプーリー止メネジ	ARM SHAFT CONNECTION BELT PULLEY SET SCREW
9	502509	●	●	●	●	●	●	●	●	●	●	1	上軸ベルトプーリー	ARM SHAFT CONNECTION BELT PULLEY
10	500274-833	●	●	●	●	●	●	●	●	●	●	1	上軸ベルトプーリー位置決めネジ	ARM SHAFT CONNECTION BELT PULLEY POSITION SCREW
11	502508	●	●	●	●	●	●	●	●	●	●	1	タイミングベルト	ARM SHAFT CONNECTION BELT
12	376029	●	●	●	●	●	●	●	●	●	●	1	上軸オイルシールド	ARM SHAFT OIL SHIELD
13	417974	●	●	●	●	●	●	●	●	●	●	1	糸巻キ駆動車(組)	BOBBIN WINDER DRIVING WHEEL (CPL.)
14	544207-012	●	●	●	●	●	●	●	●	●	●	2	糸巻キ駆動車止メネジ	BOBBIN WINDER DRIVING WHEEL SET SCREW
15	417895	●	●	●	●	●	●	●	●	●	●	1	上軸歯車(組)	NEEDLE VIBRATING PINION (CPL.)
	411160	●	●	●	●	●	●	●	●	●	●	1	上軸ウォーム(組)	NEEDLE VIBRATING WORM GEAR (CPL.)
	411304	●	●	●	●	●	●	●	●	●	●	1	上軸ウォーム(組)	NEEDLE VIBRATING WORM GEAR (CPL.)
16	544300	●	●	●	●	●	●	●	●	●	●	2	上軸歯車止メネジ	NEEDLE VIBRATING PINION SET SCREW
	544306	●	●	●	●	●	●	●	●	●	●	4	上軸ウォーム止メネジ	NEEDLE VIBRATING WORM GEAR SET SCREW
17	502763	●	●	●	●	●	●	●	●	●	●	1	上軸メタル(中)	ARM SHAFT BUSHING (CENTER)
18	543833-002	●	●	●	●	●	●	●	●	●	●	1	上軸メタル(中)座金	ARM SHAFT BUSHING (CENTER) WASHER
19	500307-850	●	●	●	●	●	●	●	●	●	●	1	上軸メタル(中)止メネジ	ARM SHAFT BUSHING (CENTER) SCREW
20	502831	●	●	●	●	●	●	●	●	●	●	1	上軸メタル(中)プラグ	ARM SHAFT BUSHING (CENTER) PLUG
21	282141	●	●	●	●	●	●	●	●	●	●	1	上軸(組)	ARM SHAFT (ASS'Y)
22	272143	●	●	●	●	●	●	●	●	●	●	1	上軸ベアリング(前)	ARM SHAFT BALL BEARING
23	282142	●	●	●	●	●	●	●	●	●	●	1	上軸, 約合クランク(組)	ARM SHAFT WITH NEEDLE BAR CRANK
24	504101	●	●	●	●	●	●	●	●	●	●	4	針車クランク軸止メネジ	NEEDLE BAR CRANK STUD POSITION SCREW
25	276114	●	●	●	●	●	●	●	●	●	●	1	約合クランクスラストワッシャー	NEEDLE BAR CRANK THRUST WASHER
26	282159	●	●	●	●	●	●	●	●	●	●	1	針車軸キ, クランクロッド(組)	NEEDLE BAR CONNECTING STUD, CONNECTING LINK (CPL.)
27	282160	●	●	●	●	●	●	●	●	●	●	1	針車クランクロッド, 軸(組)	NEEDLE BAR CONNECTING LINK, CRANK STUD (CPL.)
28	411005	●	●	●	●	●	●	●	●	●	●	1	針車軸キ(組)	NEEDLE BAR CONNECTING STUD (CPL.)
29	502603	●	●	●	●	●	●	●	●	●	●	1	針車軸キクイック	NEEDLE BAR CONNECTING STUD OIL WICK
30	545249-452	●	●	●	●	●	●	●	●	●	●	1	針車軸キ締メネジ	NEEDLE BAR CONNECTING STUD SCREW
31	502659	●	●	●	●	●	●	●	●	●	●	1	天ピン取付板	ROTARY TAKE-UP MOUNTING DISK
32	282158	●	●	●	●	●	●	●	●	●	●	1	天ピン	ROTARY TAKE-UP
33	500244	●	●	●	●	●	●	●	●	●	●	2	天ピン締メネジ	ROTARY TAKE-UP SCREW
34	411010	●	●	●	●	●	●	●	●	●	●	1	針車クランクロッド案内止メ板	NEEDLE BAR CONNECTING LINK CLAMPING PLATE
35	411009	●	●	●	●	●	●	●	●	●	●	1	針車クランクロッド案内	NEEDLE BAR CONNECTING LINK GUID BLOCK
36	545249-452	●	●	●	●	●	●	●	●	●	●	2	針車クランクロッド案内締メネジ	NEEDLE BAR CONNECTING LINK GUID BLOCK SCREW

# TENSION RELEASER, KNEE LIFTER ROCK FRAME

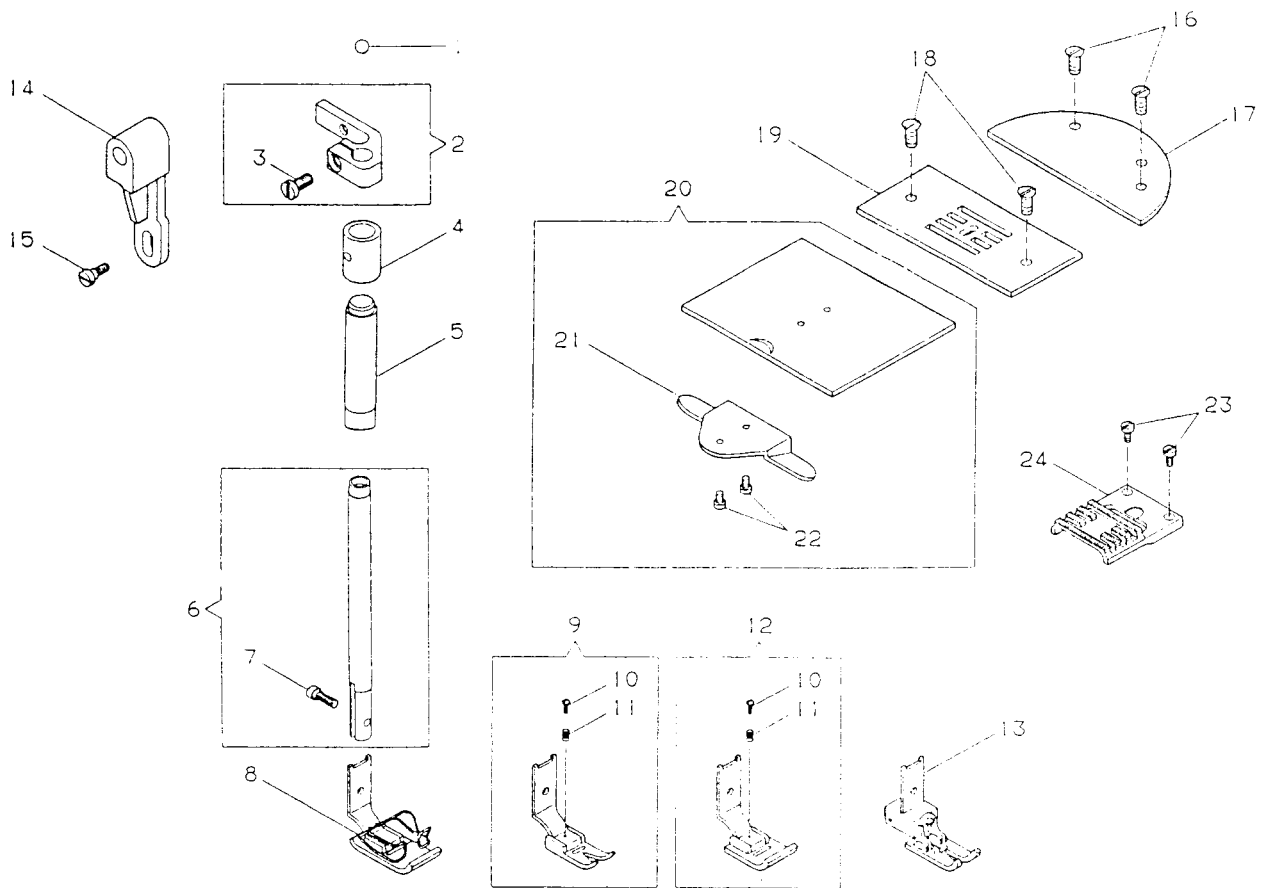
糸ユルメ、ヒザ上ゲテコ関係



NO.	電 品 番 号 PART NO.	糸ユルメ						尺 数 QTY.	名 称	DESCRIPTION
		A105-L	A105-M	A125-L	A125-H	A135-L	A135-H			
1	411023	●						1	糸ユルメ (組)	TENSION RELEASER (CPL.)
2	504509-452	●						1	糸ユルメ調節ネジナット	TENSION RELEASER ADJUSTING SCREW NUT
3	544295	●						1	糸ユルメ調節ネジ	TENSION RELEASER ADJUSTING SCREW
4	411024	●						1	糸ユルメ	TENSION RELEASER
5	502662	●						1	糸ユルメバネ	TENSION RELEASER SPRING
6	544296	●						1	糸ユルメ股ネジ	TENSION RELEASER HINGE SCREW
7	544292	●						1	ヒザ上ゲテコヒンジネジ	KNEE LIFTER ROCK FRAME HINGE SCREW
8	544213-052	●						1	ヒザ上ゲテコヒンジロックメネジ	KNEE LIFTER ROCK FRAME HINGE LOCK SCREW
9	282184	●						1	ヒザ上ゲテコ (組)	KNEE LIFTER ROCK FRAME (CPL.)
10	282186	●						1	ヒザ上ゲテコ (組)	KNEE LIFTER ROCK FRAME (CPL.)
11	282185	●						1	ヒザ上ゲテコヒンジ	KNEE LIFTER ROCK FRAME HINGE
12	502679	●						1	ヒザ上ゲテコヒンジピン	KNEE LIFTER ROCK FRAME HINGE STUD PIN
13	543809-002	●						1	ヒザ上ゲテコヒンジピン	KNEE LIFTER ROCK FRAME HINGE STUD PIN
14	502786	●						1	ヒザ上ゲテコ	KNEE LIFTER ROCK FRAME
15	411299	●						1	ヒザ上ゲテコ	KNEE LIFTER ROCK FRAME
16	411180	●						1	ヒザ上ゲテコ (組)	KNEE LIFTER LIFTING ROD (ASS'Y)
17	543801-005	●						2	ヒザ上ゲテコリング	KNEE LIFTER LIFTING ROD RING
18	502586	●						1	ヒザ上ゲテコバネ	KNEE LIFTER LIFTING ROD SPRING
19	411120-001	●						1	ヒザ上ゲテコバネカラー (組)	KNEE LIFTER LIFTING ROD SPRING COLLAR (CPL.)
20	545205-452	●						1	ヒザ上ゲテコバネカラー止メネジ	KNEE LIFTER LIFTING ROD SPRING COLLAR SCREW
21	500312-850	●						1	ライト取り付ネジプラグネジ	LIGHT STUD HOLE PLUG SCREW
22	545754	●						1	ライト取り付ネジプラグネジ座金	LIGHT STUD HOLE PLUG SCREW WASHER
23	282187	●						1	押エ棒バネ調節ネジ	PRESSER BAR SPRING ADJUSTING SCREW
24	282146	●						1	押エ棒バネ調節ネジフリクション	PRESSER BAR SPRING ADJUSTING SCREW FRICTION
25	500261-850	●						1	押エ棒バネ支えネジ	PRESSER BAR SPRING SUPPORT SCREW
26	417893	●						1	押エ棒バネ (組)	PRESSER BAR SPRING (CPL.)
27	502653	●						1	押エ棒バネ	PRESSER BAR SPRING
28	417894	●						1	押エ棒バネチューブ	PRESSER BAR SPRING TUBE
29	502516	●						1	押エ棒バネワイヤ	PRESSER BAR SPRING WICK
30	376112	●						1	押エ棒 (組)	PRESSER BAR LIFTER (CPL.)
31	544208-005	●						1	押エ棒止メネジ	PRESSER BAR LIFTER SET SCREW
32	543871-003	●						1	押エ棒上ゲカムOリング	PRESSER BAR LIFTING CAM STUD O-RING
33	376181	●						1	押エ棒上ゲカム、軸 (組)	PRESSER BAR LIFTING CAM STUD (CPL.)

PRESSER BAR, THROAT PLATE, FEED DOG

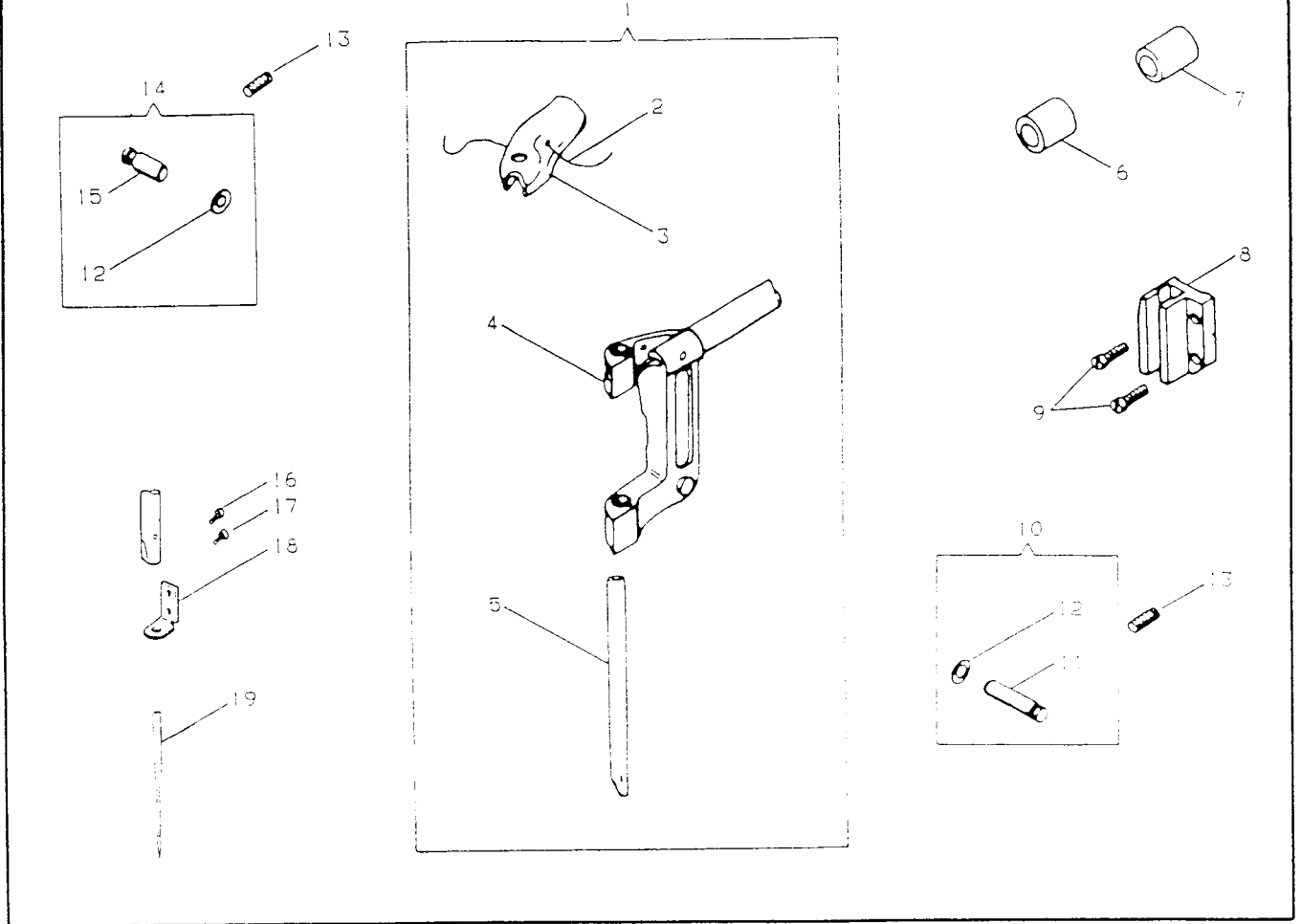
押し棒, 針板, 送り歯



NO.	部品番号 PART NO.	A105-L	A105-M	A125-L	A135-L	A135-M	A140-M	A143-L	A143-M	数量 QTY	名称	DESCRIPTION
1	276025	●	●	●	●	●	●	●	●	1	押し棒ボール	PRESSER BAR BALL
2	411035	●	●	●	●	●	●	●	●	1	押し棒止りネジ	PRESSER BAR POSITION GUIDE (CPL.)
3	545249-452	●	●	●	●	●	●	●	●	1	押し棒止りネジ	PRESSER BAR POSITION GUIDE SCREW
4	376060	●	●	●	●	●	●	●	●	1	押し棒メタルカバー	PRESSER BAR BUSHING COVER
5	282150	●	●	●	●	●	●	●	●	1	押し棒メタル	PRESSER BAR BUSHING
6	502948	●	●	●	●	●	●	●	●	1	押し棒	PRESSER BAR (CPL.)
7	500256	●	●	●	●	●	●	●	●	1	押し棒ネジ	PRESSER FOOT SCREW
8	503818	●	●	●	●	●	●	●	●	1	押し棒	PRESSER FOOT (HINGED) (CPL.)
9	411215	●	●	●	●	●	●	●	●	1	押し棒	PRESSER FOOT (HINGED) (CPL.)
10	545291	●	●	●	●	●	●	●	●	1	押し棒ネジ	PRESSER FOOT PLATE STOP SCREW
11	548101	●	●	●	●	●	●	●	●	1	押し棒ネジ	PRESSER FOOT PLATE STOP SCREW SPRING
12	411314	●	●	●	●	●	●	●	●	1	押し棒	PRESSER FOOT (HINGED) (CPL.)
13	266125	●	●	●	●	●	●	●	●	1	押し棒 (コンペンセーティング)	PRESSER FOOT (HINGED) (COMPENSATING) (CPL.)
14	376184	●	●	●	●	●	●	●	●	1	押し棒カム受け	PRESSER BAR LIFTING CAM CATCH
15	86-850	●	●	●	●	●	●	●	●	1	押し棒引き上げ板ネジ	PRESSER BAR LIFTING LINK SCREW
16	500244	●	●	●	●	●	●	●	●	2	ベッドプレートネジ	BED PLATE SCREW
17	282193	●	●	●	●	●	●	●	●	1	ベッドプレート	BED PLATE
18	500244	●	●	●	●	●	●	●	●	2	針板ネジ	THROAT PLATE SCREW
19	282188	●	●	●	●	●	●	●	●	1	針板	THROAT PLATE
	282189	●	●	●	●	●	●	●	●	1	針板	THROAT PLATE
	282190	●	●	●	●	●	●	●	●	1	針板	THROAT PLATE
	282191	●	●	●	●	●	●	●	●	1	針板	THROAT PLATE
	282192	●	●	●	●	●	●	●	●	1	針板	THROAT PLATE
20	282194	●	●	●	●	●	●	●	●	1	スベリ板	BED SLIDE (CPL.)
21	508506	●	●	●	●	●	●	●	●	1	スベリ板バネ	BED SLIDE SPRING SCREW
22	238	●	●	●	●	●	●	●	●	2	スベリ板バネネジ	BED SLIDE SPRING
23	50624-833	●	●	●	●	●	●	●	●	2	送り歯ネジ	FEED DOG SCREW
24	417920	●	●	●	●	●	●	●	●	1	送り歯	FEED DOG
	503683	●	●	●	●	●	●	●	●	1	送り歯	FEED DOG
	417919	●	●	●	●	●	●	●	●	1	送り歯	FEED DOG
	502547-001	●	●	●	●	●	●	●	●	1	送り歯	FEED DOG
	503743	●	●	●	●	●	●	●	●	1	送り歯	FEED DOG
	266008	●	●	●	●	●	●	●	●	1	送り歯	FEED DOG
	411308	●	●	●	●	●	●	●	●	1	送り歯	FEED DOG

# NEEDLE BAR YOKE, NEEDLE

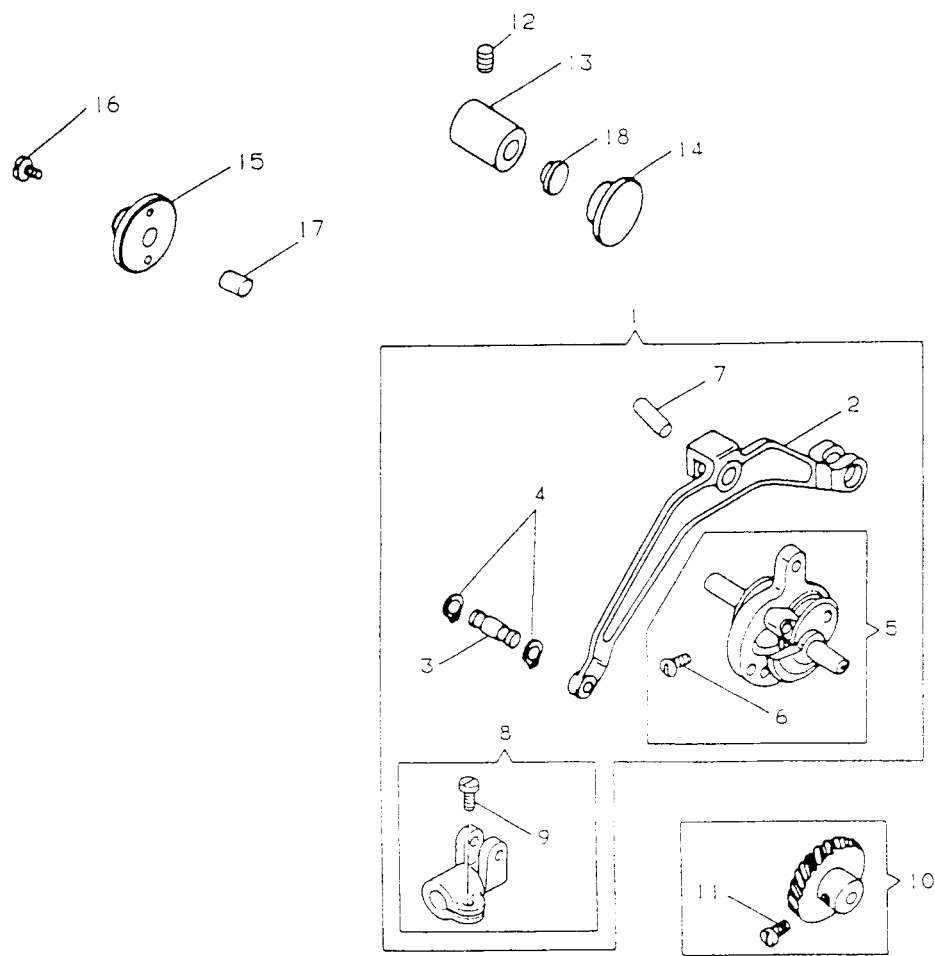
針棒フレーム, 針関係



NO.	器具番号 PART NO.	AI05-L	AI05-M	AI25-L	AI25-M	AI35-L	AI35-M	AI40-M	AI43-L	AI43-M	数量 QTY.	名称	DESCRIPTION
1	508879-002	●	●	●	●	●	●	●	●	●	1	針棒フレーム(総組)	NEEDLE BAR YOKE (ASS'Y)
2	502594	●	●	●	●	●	●	●	●	●	1	針棒フェルトコード	NEEDLE BAR OIL FELT CORD
3	502608	●	●	●	●	●	●	●	●	●	1	針棒フェルト	NEEDLE BAR OIL FELT
4	508880	●	●	●	●	●	●	●	●	●	1	針棒フレーム(組)	NEEDLE BAR YOKE (CPL.)
5	282270	●	●	●	●	●	●	●	●	●	1	針棒	NEEDLE BAR
6	502674	●	●	●	●	●	●	●	●	●	1	針棒フレーム軸メタル(前)	NEEDLE BAR YOKE SHAFT BUSHING (FRONT)
7	502672	●	●	●	●	●	●	●	●	●	1	針棒フレーム軸メタル(後)	NEEDLE BAR YOKE SHAFT BUSHING (BACK)
8	411001	●	●	●	●	●	●	●	●	●	1	針棒軸キ案内	NEEDLE BAR CONNECTING STUD GUIDE BLOCK
9	545249-452	●	●	●	●	●	●	●	●	●	2	針棒軸キ案内締ネジ	NEEDLE BAR CONNECTING STUD GUIDE BLOCK SCREW
10	411132	●	●	●	●	●	●	●	●	●	1	針棒フレームガイド(前)(組)	NEEDLE BAR YOKE GUIDE (FRONT)(CPL.)
11	508884	●	●	●	●	●	●	●	●	●	1	針棒フレームガイド(前)	NEEDLE BAR YOKE GUIDE (FRONT)
12	502930	●	●	●	●	●	●	●	●	●	2	針棒フレームガイドシール	NEEDLE BAR YOKE GUIDE SEAL
13	544301	●	●	●	●	●	●	●	●	●	2	針棒フレームガイド止メネジ	NEEDLE BAR YOKE GUIDE SET SCREW
14	411131	●	●	●	●	●	●	●	●	●	1	針棒フレームガイド(後)(組)	NEEDLE BAR YOKE GUIDE (REAR)(CPL.)
15	508883	●	●	●	●	●	●	●	●	●	1	針棒フレームガイド(後)	NEEDLE BAR YOKE GUIDE (REAR)
16	545180-452	●	●	●	●	●	●	●	●	●	1	針棒糸掛け止メネジ	NEEDLE BAR THREAD GUIDE SCREW
17	223	●	●	●	●	●	●	●	●	●	1	針止メネジ	NEEDLE SET SCREW
18	502597	●	●	●	●	●	●	●	●	●	1	針棒糸掛け	NEEDLE BAR THREAD GUIDE
19	N1906-07-10	●	●	●	●	●	●	●	●	●	1	針(1906-07-10)(管内向)	NEEDLE (1906-07-10)(DOM.)
	N1906-07-10	●	●	●	●	●	●	●	●	●	1	針(1906-07-10)(輸出向)	NEEDLE (1906-07-10)(EXP.)
	N1906-01-12	●	●	●	●	●	●	●	●	●	1	針(1906-01-12)(輸出向)	NEEDLE (1906-01-12)(EXP.)

# NEEDLE BAR CONNECTING LINK (FOR 105/125)

針棒ヨーク関係 (105/125用)

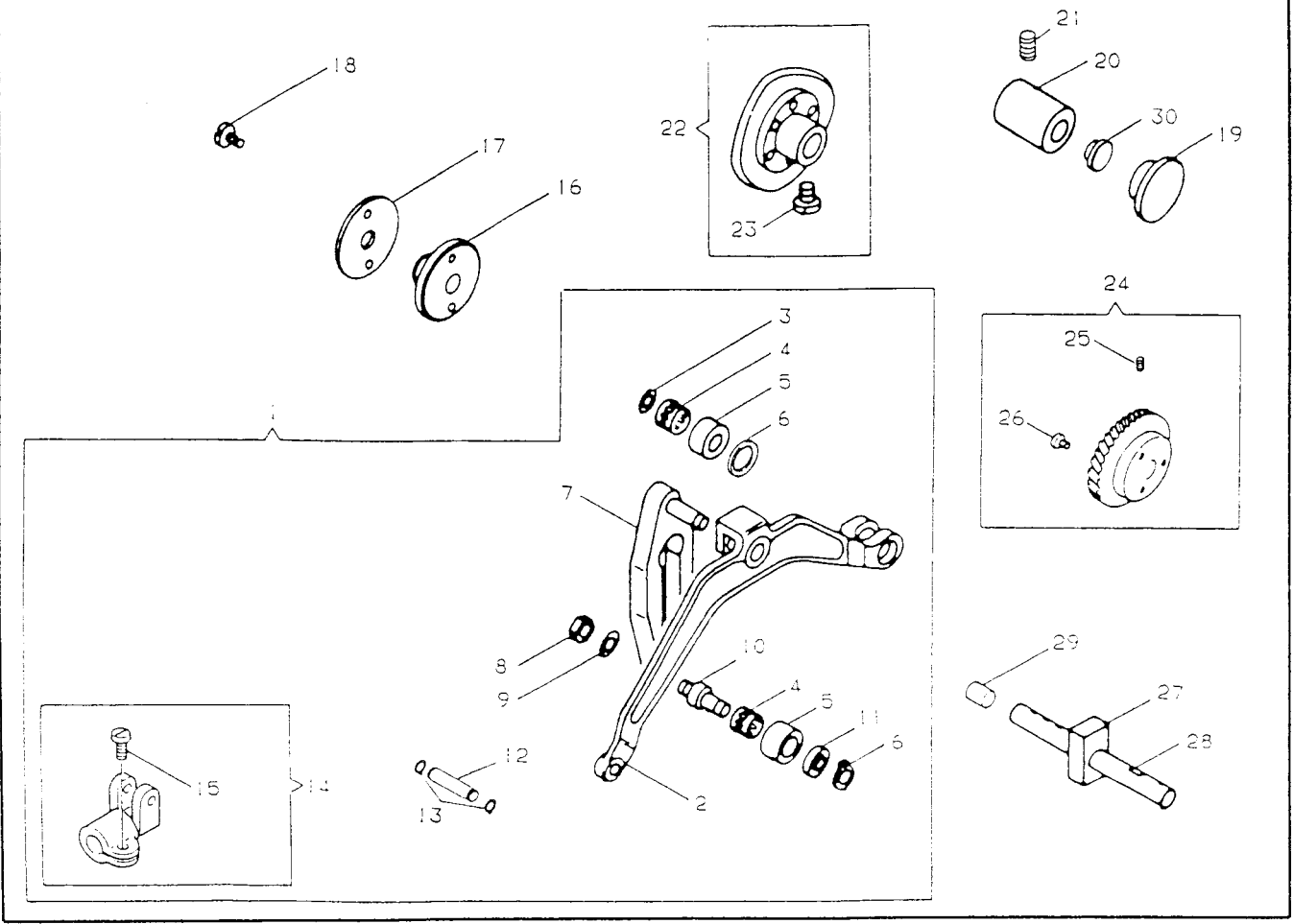


NO.	部品番号 PART NO.	適用機種						数量 QTY.	名称	DESCRIPTION
		A105-L	A105-H	A125-L	A125-H	A135-L	A135-H			
1	411073	●	●	●	●	●	●	1	針棒ヨーク(組)	NEEDLE BAR CONN. LINK (CPL.)
2	502768	●	●	●	●	●	●	1	針棒ヨーク	NEEDLE BAR CONN. LINK
3	502785	●	●	●	●	●	●	1	針棒ヨークコネクターピン	NEEDLE BAR CONN. LINK HINGE STUD
4	502802	●	●	●	●	●	●	2	針棒ヨークコネクターピンリング	NEEDLE BAR CONN. LINK HINGE STUD SNAP RING
5	502787	●	●	●	●	●	●	1	シグザグカム軸(組)	NEEDLE VIBRATING ECC. SHAFT (CPL.)
6	504112	●	●	●	●	●	●	1	針棒ヨークピン止めネジ	NEEDLE BAR CONN. LINK STUD SCREW
7	411499	●	●	●	●	●	●	1	針棒ヨークピン	NEEDLE BAR CONN. LINK STUD
8	411074	●	●	●	●	●	●	1	針棒ヨークコネクター(組)	NEEDLE BAR CONN. LINK HINGE BEARING (CPL.)
9	544286	●	●	●	●	●	●	1	針棒ヨークコネクター用メネジ	NEEDLE BAR CONN. LINK HINGE BEARING SCREW
10	411045	●	●	●	●	●	●	1	シグザグカム歯車(組)	NEEDLE VIBRATING ECC. SHAFT GEAR (CPL.)
11	504101	●	●	●	●	●	●	2	シグザグカム歯車止めネジ	NEEDLE VIBRATING ECC. SHAFT GEAR SET SCREW
12	500303-869	●	●	●	●	●	●	1	シグザグカム軸メタル(前)止めネジ	NEEDLE VIBRATING CAM SHAFT BUSHING (FRONT) SCREW
13	282195	●	●	●	●	●	●	1	シグザグカム軸メタル(前)	NEEDLE VIBRATING CAM SHAFT BUSHING (FRONT)
14	502760	●	●	●	●	●	●	1	シグザグカム軸メタル(前)キャップ	NEEDLE VIBRATING CAM SHAFT BUSHING (FRONT) CAP
15	411053	●	●	●	●	●	●	1	シグザグカム軸メタル(後)	NEEDLE VIBRATING CAM SHAFT BUSHING (BACK)
16	544286	●	●	●	●	●	●	2	シグザグカム軸メタル(後)用メネジ	NEEDLE VIBRATING CAM SHAFT BUSHING (BACK) SCREW
17	282224	●	●	●	●	●	●	1	シグザグカム軸油穴止め栓	NEEDLE VIBRATING CAM SHAFT OIL HOLE PLUG
18	502831	●	●	●	●	●	●	1	シグザグカム軸メタル(前)プラグ	NEEDLE VIBRATING CAM SHAFT BUSHING (FRONT) PLUG



NEEDLE BAR CONNECTING LINK (FOR 135/140)

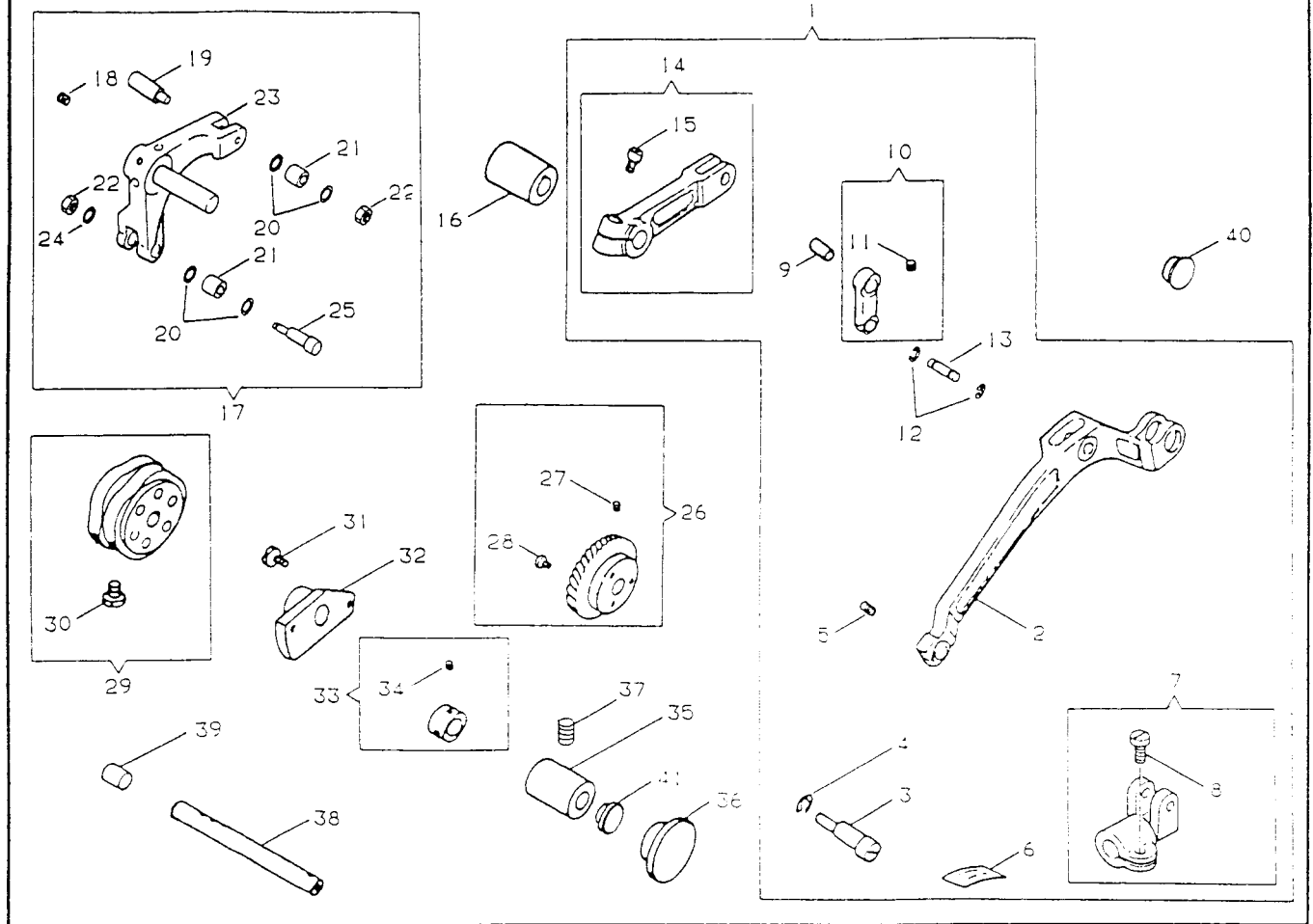
針棒ヨーク関係 (135/140用)



NO.	部品番号 PART NO.	機種						数量 QTY.	名称	DESCRIPTION
		TA105-L	TA105-M	TA125-L	TA125-M	TA135-L	TA135-M			
1	411168							1	針棒ヨーク (組)	NEEDLE BAR CONN. LINK (CPL.)
2	502957							1	針棒ヨーク	NEEDLE BAR CONN. LINK
3	502990							1	ジグザグカムローラー軸バネ座金	NEEDLE VIBRATING CAM ROLLER STUD SPRING WASHER
4	502964							2	ジグザグカムローラーベアリング	NEEDLE VIBRATING CAM ROLLER NEEDLE BEARING CAGE
5	502960							2	ジグザグカムローラー	NEEDLE VIBRATING CAM ROLLER
6	502958							2	ジグザグカムローラー軸リング	NEEDLE BAR YOKE CONN. LINK SNAP RING
7	502959							1	ジグザグカムローラーブラケット (組)	NEEDLE VIBRATING CAM ROLLER GUIDE (CPL.)
8	1664-850							1	ジグザグカムローラー軸 (偏心) ナット	NEEDLE VIBRATING CAM ROLLER STUD (ECC.) NUT
9	502961							1	ジグザグカムローラー軸 (偏心) バネ座金	NEEDLE VIBRATING CAM ROLLER STUD (ECC.) SPRING WASHER
10	411169							1	ジグザグカムローラー軸 (偏心)	NEEDLE VIBRATING CAM ROLLER STUD (ECC.)
11	502963							1	ジグザグカムローラー軸 (偏心) 座金	NEEDLE VIBRATING CAM ROLLER STUD (ECC.) WASHER
12	502785							1	針棒ヨークコネクタースピン	NEEDLE BAR CONN. LINK HINGE STUD
13	502802							2	針棒ヨークコネクタースナップリング	NEEDLE BAR CONN. LINK HINGE STUD SNAP RING
14	411074							1	針棒ヨークコネクタ (組)	NEEDLE BAR CONN. LINK HINGE BEARING (CPL.)
15	544286							1	針棒ヨークコネクタースクリュー	NEEDLE BAR CONN. LINK HINGE BEARING SCREW
16	411053							1	ジグザグカム軸メタル (後)	NEEDLE VIBRATING CAM SHAFT BUSHING (BACK)
17	509050							1	ジグザグカム軸メタル (後) スペース	NEEDLE VIBRATING CAM SHAFT BUSHING (BACK) SPACER
18	544288							2	ジグザグカム軸メタル (後) スクリュー	NEEDLE VIBRATING CAM SHAFT BUSHING (BACK) SCREW
19	502760							1	ジグザグカム軸メタル (前) キャップ	NEEDLE VIBRATING CAM SHAFT BUSHING (FRONT) CAP
20	282195							1	ジグザグカム軸メタル (前)	NEEDLE VIBRATING CAM SHAFT BUSHING (FRONT)
21	500303-869							1	ジグザグカム軸メタル (前) 止めネジ	NEEDLE VIBRATING CAM SHAFT BUSHING (FRONT) SCREW
22	411146							1	ジグザグカム (組)	NEEDLE VIBRATING CAM (CPL.)
23	545136-452							2	ジグザグカム止めネジ	NEEDLE VIBRATING CAM SET SCREW
24	411174							1	ジグザグカムウォームホイール (組)	NEEDLE VIBRATING WORM WHEEL (CPL.)
25	544307							2	ジグザグカムウォームホイール止めネジ	NEEDLE VIBRATING WORM WHEEL SCREW
26	545249-452							3	ジグザグカムウォームホイールディスク止めネジ	NEEDLE VIBRATING WORM WHEEL DISC SCREW
27	502966							1	ジグザグカム軸スライドブロック	NEEDLE VIBRATING CAM SHAFT SLIDE BLOCK
28	502968							1	ジグザグカム軸	NEEDLE VIBRATING CAM SHAFT
29	282224							1	ジグザグカム軸油穴止め栓	NEEDLE VIBRATING CAM SHAFT OIL HOLE PLUG
30	502831							1	ジグザグカム軸メタル (前) プラグ	NEEDLE VIBRATING CAM SHAFT BUSHING (FRONT) PLUG

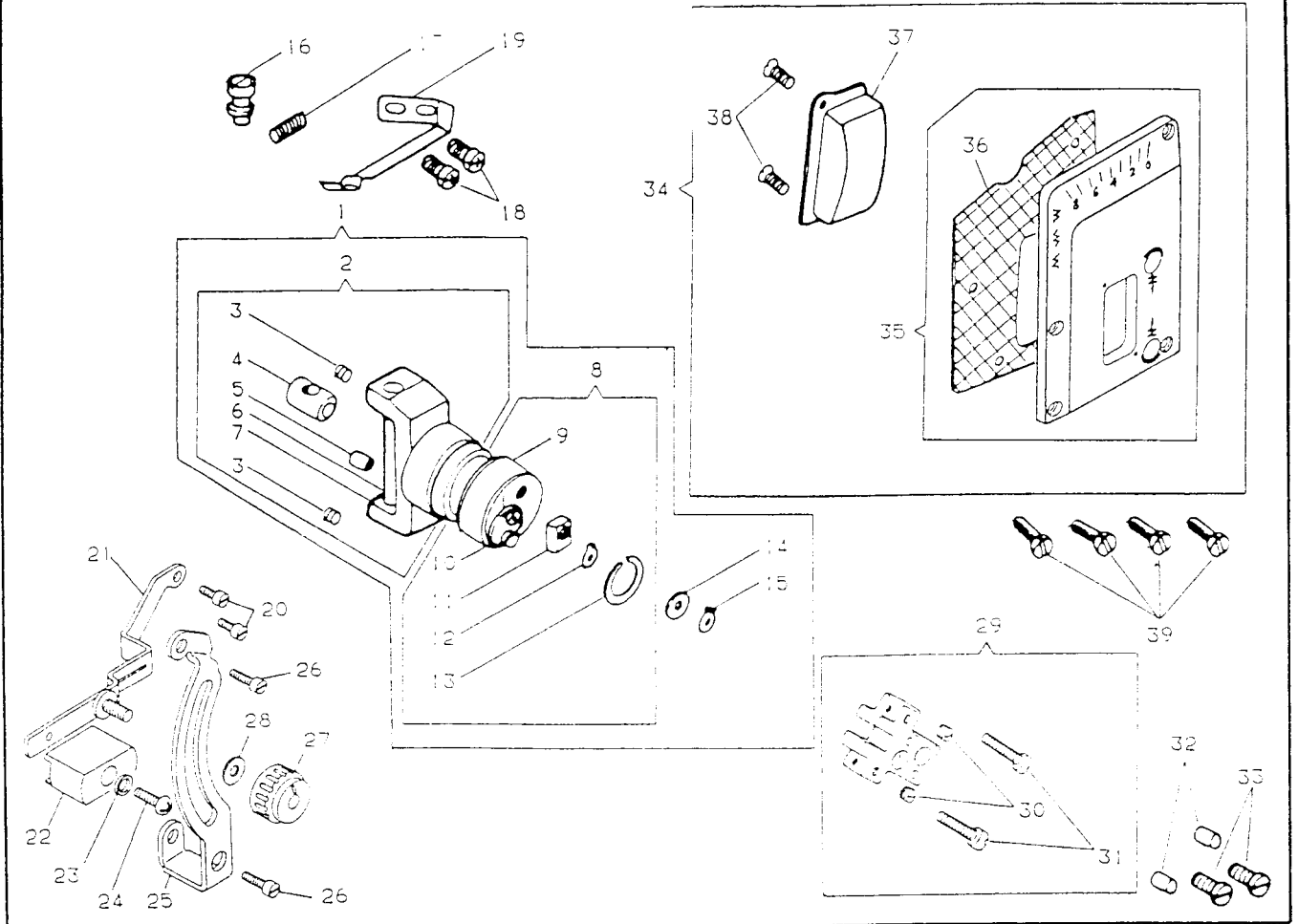
# NEEDLE BAR CONNECTING LINK (FOR 143)

## 針棒ヨーク関係 (143用)



NO.	部品番号 PART NO.	A105-L A105-M A125-L A125-M A135-L A135-M A143-L A143-M						数量 QTY.	名称	DESCRIPTION
1	411277							1	針棒ヨーク (組)	NEEDLE BAR CONN. LINK (CPL.)
2	411278							1	針棒ヨーク	NEEDLE BAR CONN. LINK
3	411220							1	針棒ヨークコネクタ軸 (偏心)	NEEDLE BAR CONN. LINK HINGE STUD (ECC.)
4	543801-003							1	針棒ヨークコネクタ軸リング	NEEDLE BAR CONN. LINK HINGE STUD SNAP RING
5	545181							1	針棒ヨークコネクタ軸止めネジ	NEEDLE BAR CONN. LINK HINGE STUD SCREW
6	502619							1	針棒ヨークコネクタフェルト	NEEDLE BAR CONN. LINK HINGE BEARING FELT
7	411223							1	針棒ヨークコネクタ (組)	NEEDLE BAR CONN. LINK HINGE BEARING (CPL.)
8	544286							1	針棒ヨークコネクタ締めネジ	NEEDLE BAR CONN. LINK HINGE BEARING SCREW
9	411283							1	針棒ヨーク作動レバーリンクピン (上)	NEEDLE BAR CONN. LINK DRIVING LEVER LINK PIN (UPPER)
10	411281							1	針棒ヨーク作動レバーリンク (組)	NEEDLE BAR CONN. LINK DRIVING LEVER LINK (CPL.)
11	544203-001							1	針棒ヨーク作動レバーリンクピン (上) 止めネジ	NEEDLE BAR CONN. LINK DRIVING LEVER LINK PIN SET SCREW
12	549886							2	針棒ヨーク作動レバーリンクピン (下) 止め輪	NEEDLE BAR CONN. LINK DRIVING LEVER LINK PIN (LOWER) RETAINING RING
13	411284							1	針棒ヨーク作動レバーリンクピン (下)	NEEDLE BAR CONN. LINK DRIVING LEVER LINK PIN (LOWER)
14	411279							1	針棒ヨーク作動レバー (組)	NEEDLE BAR CONN. LINK DRIVING LEVER (CPL.)
15	350881-869							1	針棒ヨーク作動レバー締めネジ	NEEDLE BAR CONN. LINK DRIVING LEVER SCREW
16	411290							1	ジグザグカムフォアローラー軸メタル	Z/2 CAM FOLLOWER LEVER SHAFT BUSHING
17	411285							1	ジグザグカムフォアローラー軸 (組)	Z/2 CAM FOLLOWER LEVER SHAFT (CPL.)
18	544204-001							1	ジグザグカムフォアローラー止めネジ	Z/2 CAM FOLLOWER LEVER SET SCREW
19	544488							1	ジグザグカムフォアローラー軸	Z/2 CAM FOLLOWER ROLLER HINGE STUD
20	543815-003							4	ジグザグカムフォアローラーラストワッシャー	Z/2 CAM FOLLOWER ROLLER THRUST WASHER
21	411288							2	ジグザグカムフォアローラー	Z/2 CAM FOLLOWER ROLLER
22	541180							2	ジグザグカムフォアローラー軸ナット	Z/2 CAM FOLLOWER ROLLER HINGE STUD NUT
23	411286							1	ジグザグカムフォアローラー (組)	Z/2 CAM FOLLOWER LEVER (CPL.)
24	543849-004							1	ジグザグカムフォアローラー偏心軸座金	Z/2 CAM FOLLOWER ROLLER HINGE STUD (ECC.) WASHER
25	544487							1	ジグザグカムフォアローラー偏心軸	Z/2 CAM FOLLOWER ROLLER HINGE STUD (ECC.)
26	411306							1	ジグザグカムウォームホイール (組)	NEEDLE VIBRATING WORM WHEEL (CPL.)
27	544307							2	ジグザグカムウォームホイール止めネジ	NEEDLE VIBRATING WORM WHEEL SCREW
28	545249-452							3	ジグザグカムウォームホイールディスク止めネジ	NEEDLE VIBRATING WORM WHEEL DISC SCREW
29	411295							1	ジグザグカム (組)	NEEDLE VIBRATING CAM (CPL.)
30	545136-452							2	ジグザグカム止めネジ	NEEDLE VIBRATING CAM SET SCREW
31	544288							2	ジグザグカム軸メタル (後) 締めネジ	NEEDLE VIBRATING CAM SHAFT BUSHING (BACK) SCREW
32	411291							1	ジグザグカム軸メタル (後)	NEEDLE VIBRATING CAM SHAFT BUSHING (BACK)
33	411292							1	ジグザグカム軸カラー (組)	NEEDLE VIBRATING CAM SHAFT COLLER (CPL.)
34	544205-001							2	ジグザグカム軸カラー止めネジ	NEEDLE VIBRATING CAM SHAFT COLLER SET SCREW
35	282195							1	ジグザグカム軸メタル (前)	NEEDLE VIBRATING CAM SHAFT BUSHING (FRONT)
36	502760							1	ジグザグカム軸メタル (前) キャップ	NEEDLE VIBRATING CAM SHAFT BUSHING (FRONT) CAP
37	500303-869							1	ジグザグカム軸メタル (前) 止めネジ	NEEDLE VIBRATING CAM SHAFT BUSHING (FRONT) SCREW
38	411294							1	ジグザグカム軸	NEEDLE VIBRATING CAM SHAFT
39	502752							1	ジグザグカム軸油穴止め栓	NEEDLE VIBRATING CAM SHAFT OIL HOLE PLUG
40	544782							1	針高微調整プラグ	NEEDLE POSITION FINE ADJ. HOLE PLUG
41	502831							1	ジグザグカム軸メタル (前) プラグ	NEEDLE VIBRATING CAM SHAFT BUSHING (FRONT) PLUG

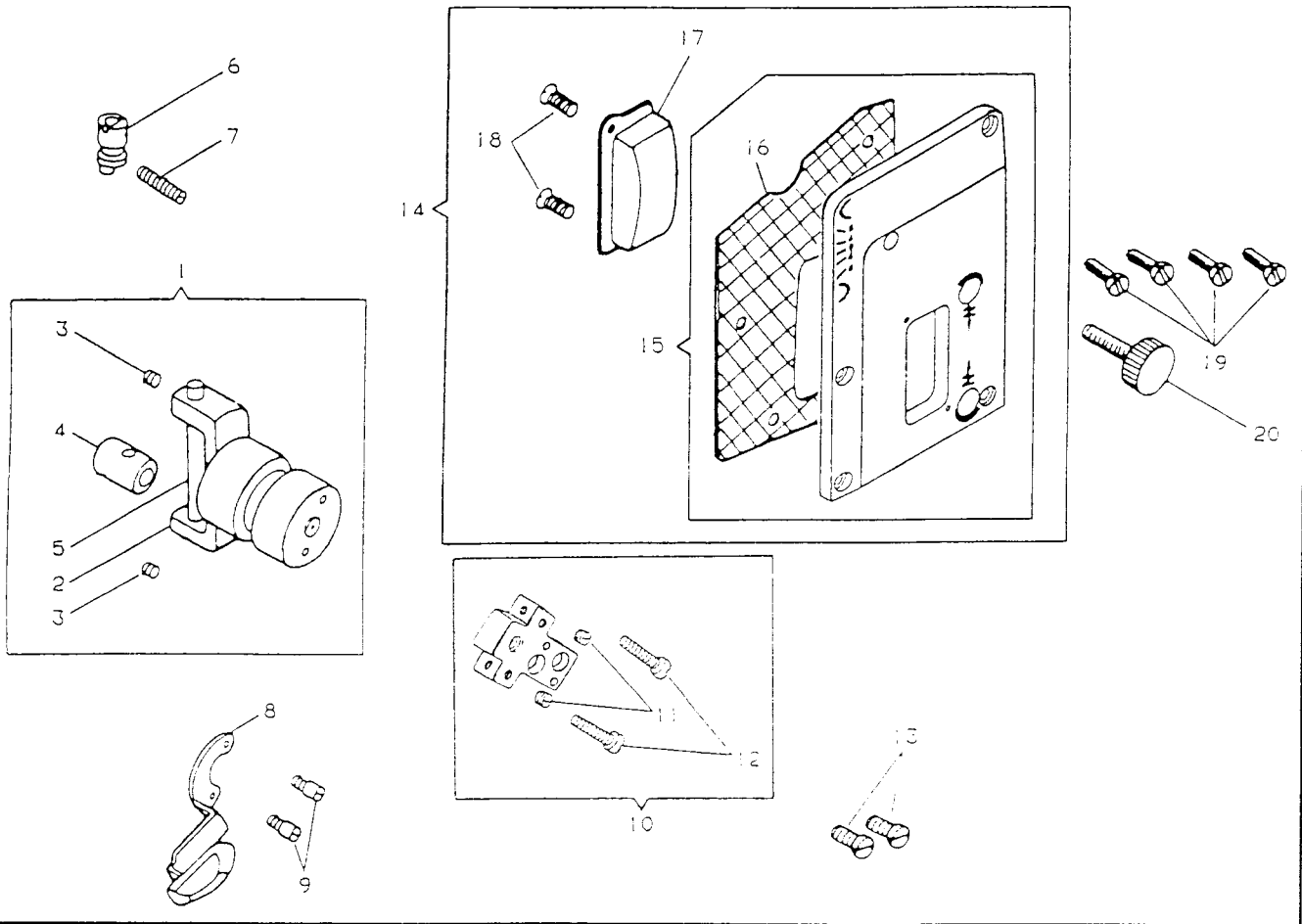
NEEDLE VIBRATING YOKE CONNECTING LINK CARRIER FRAME (CPL.) (FOR 105/125/135/140)  
 シグザグ幅調節器(組)(105/125/135/140用)



NO.	部品番号 PART NO.	適用機						数量 QTY.	名称	DESCRIPTION
		A105-L	A105-M	A125-L	A125-M	A135-L	A135-M			
1	411068-945	●	●	●	●	●	1	シグザグ調節器、メタル(組)	NEEDLE VIBRATING YOKE CONN. CARRIER FRAME, ADJ. BUSHING (CPL.)	
2	411068	●	●	●	●	●	1	シグザグ調節器(組)	NEEDLE VIBRATING YOKE CONN. LINK CARRIER FRAME (CPL.)	
3	504048	●	●	●	●	●	2	針車ヨークスライド軸止メネジ	NEEDLE VIBRATING YOKE CONN. LINK CARRIER FRAME SLIDE STUD SET SCREW	
4	502850-931	●	●	●	●	●	1	針車ヨークスライドブロック	NEEDLE VIBRATING YOKE CONN. LINK CARRIER FRAME SLIDE BLOCK	
5	502789	●	●	●	●	●	1	シグザグ調節器キャリアーピン	NEEDLE VIBRATING YOKE CONN. LINK CARRIER FRAME STUD	
6	411246	●	●	●	●	●	1	針車ヨークスライド軸	NEEDLE VIBRATING YOKE CONN. LINK SLIDE STUD	
7	411069	●	●	●	●	●	1	シグザグ調節器キャリアー	NEEDLE VIBRATING YOKE CONN. LINK CARRIER FRAME	
8	411070	●	●	●	●	●	1	シグザグ調節器メタル(組)	NEEDLE POSITION ADJ. ECC. (CPL.)	
9	411071	●	●	●	●	●	1	シグザグ調節器メタル(大)(小)(組)	NEEDLE POSITION ADJ. ECC. BUSHING (LARGE), (SMALL) (CPL.)	
10	502776	●	●	●	●	●	1	シグザグ調節器メタル(小)案内軸	NEEDLE POSITION ADJ. ECC. BUSHING (SMALL) SLIDE BLOCK STUD	
11	502781	●	●	●	●	●	1	シグザグ調節器メタル(小)案内軸	NEEDLE POSITION ADJ. ECC. BUSHING (SMALL) SLIDE BLOCK	
12	502793	●	●	●	●	●	1	シグザグ調節器メタル(小)案内軸リング	NEEDLE POSITION ADJ. ECC. BUSHING (SMALL) SLIDE BLOCK STUD RING	
13	502762	●	●	●	●	●	2	シグザグ調節器メタル(小)リング	NEEDLE POSITION ADJ. ECC. BUSHING (SMALL) SNAP RING	
14	502800	●	●	●	●	●	1	シグザグ調節器キャリアー産金	NEEDLE VIBRATING YOKE CONN. LINK CARRIER FRAME CUP SPRING	
15	502802	●	●	●	●	●	1	シグザグ調節器キャリアーリング	NEEDLE VIBRATING YOKE CONN. LINK CARRIER FRAME SNAP RING	
16	411046	●	●	●	●	●	1	シグザグ調節器調整軸	NEEDLE POSITION ADJ. CAM REGULATING STUD	
17	544302	●	●	●	●	●	1	シグザグ調節器調整軸止メネジ	NEEDLE POSITION ADJ. CAM REGULATING STUD SET SCREW	
18	544212-052	●	●	●	●	●	2	針車調整機構メネジ	NEEDLE POSITION ADJ. ECC. POSITION SPRING SCREW	
19	502794	●	●	●	●	●	1	針車調整機構メネジ	NEEDLE POSITION ADJ. ECC. POSITION SPRING	
20	500302-850	●	●	●	●	●	2	シグザグ調節器調整軸	NEEDLE POSITION ADJ. ECC. STOP SCREW	
21	282258	●	●	●	●	●	1	調節(針車調整器)調整レバー(組)	NEEDLE POSITION (FINE POSITION) ADJ. LEVER (CPL.)	
22	282259	●	●	●	●	●	1	調節(針車調整器)調整レバーつまみ	NEEDLE POSITION (FINE POSITION) ADJ. LEVER KNOB	
23	543804-002	●	●	●	●	●	1	調節(針車調整器)調整レバーつまみ固定メネジ	NEEDLE POSITION (FINE POSITION) ADJ. LEVER KNOB SCREW * WASHER	
24	544211-055	●	●	●	●	●	1	調節(針車調整器)調整レバーつまみ固定メネジ	NEEDLE POSITION (FINE POSITION) ADJ. LEVER KNOB SCREW * WASHER	
25	282260	●	●	●	●	●	1	調節(針車調整器)調整レバー固定ブラケット	NEEDLE POSITION (FINE POSITION) ADJ. LEVER LOCKING BRACKET	
26	544212-052	●	●	●	●	●	2	調節(針車調整器)調整レバー固定ブラケット	NEEDLE POSITION (FINE POSITION) ADJ. LEVER LOCKING BRACKET SCREW	
27	368033	●	●	●	●	●	1	調節(針車調整器)調整レバー固定つまみ	NEEDLE POSITION (FINE POSITION) ADJ. LEVER LOCKING KNOB	
28	543803-013	●	●	●	●	●	1	調節(針車調整器)調整レバー固定つまみ産金	NEEDLE POSITION (FINE POSITION) ADJ. LEVER LOCKING KNOB * WASHER	
29	411051	●	●	●	●	●	1	シグザグ調節器調整ブロック(組)	NEEDLE POSITION ADJ. ECC. SLIDE BLOCK BRACKET (CPL.)	
30	500067-833	●	●	●	●	●	1	シグザグ調節器調整軸止メネジ	NEEDLE POSITION ADJ. CAM STOP SCREW SET SCREW	
31	544308	●	●	●	●	●	2	シグザグ調節器調整軸	NEEDLE POSITION ADJ. CAM STOP SCREW	
32	548226	●	●	●	●	●	2	シグザグ調節器調整ブロック(組)ピン	NEEDLE POSITION ADJ. ECC. SLIDE BLOCK BRACKET POSITION PIN	
33	544286	●	●	●	●	●	2	シグザグ調節器調整ブロック(組)メネジ	NEEDLE POSITION ADJ. ECC. SLIDE BLOCK BRACKET SCREW	
34	282196-451	●	●	●	●	●	1	アームカバー(前)(組)	ARM COVER (FRONT) (CPL.)	
	282199-451	●	●	●	●	●	1	アームカバー(前)(組)	ARM COVER (FRONT) (CPL.)	
35	282285-451	●	●	●	●	●	1	アームカバー(前)(ガスケット(組))	ARM COVER (FRONT), GASKET (CPL.)	
	282286-451	●	●	●	●	●	1	アームカバー(前)(ガスケット(組))	ARM COVER (FRONT), GASKET (CPL.)	
	282287-451	●	●	●	●	●	1	アームカバー(前)(ガスケット(組))	ARM COVER (FRONT), GASKET (CPL.)	
36	282206	●	●	●	●	●	1	アームカバー(前)ガスケット	ARM COVER (FRONT) GASKET	
37	282198	●	●	●	●	●	1	スリッチ長さ調節板	STITCH LENGTH INDICATOR PLATE WINDOW	
38	374397-003	●	●	●	●	●	2	スリッチ長さ調節板メネジ	STITCH LENGTH INDICATOR PLATE WINDOW SCREW	
39	544213-052	●	●	●	●	●	4	アームカバー(前)つまみ	ARM COVER (FRONT) SCREW	

NEEDLE VIBRATING YOKE CONNECTING LINK CARRIER FRAME (CPL.) (FOR 143)

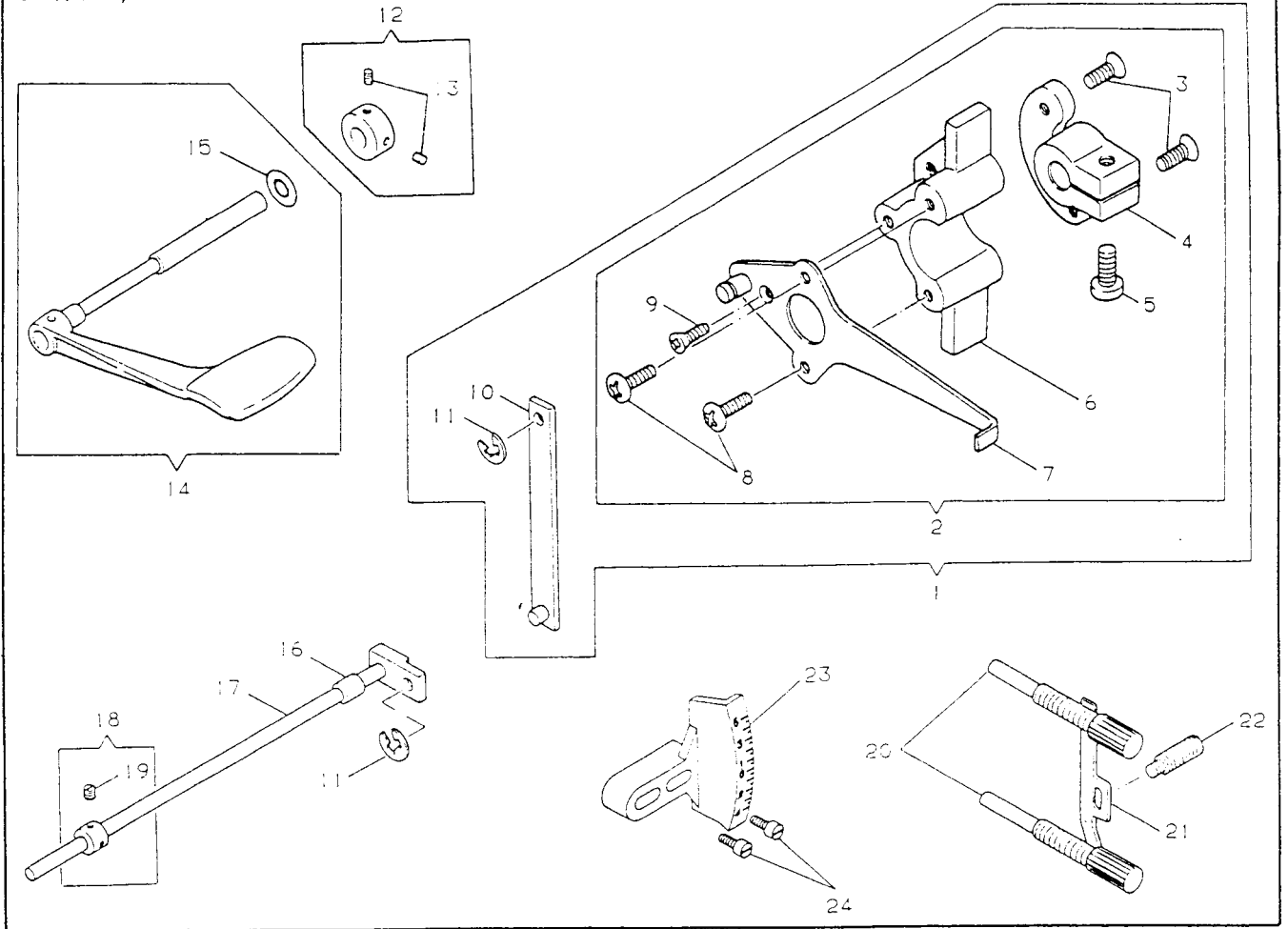
ジグザグ幅調節器 (組) (143用)



NO.	部品番号 PART NO.	適用機種						数量 QTY.	名称	DESCRIPTION
		A105-L	A105-H	A125-L	A125-H	A135-L	A135-H			
1	411275	-	-	-	-	-	-	1	ジグザグ調節器, スライドブロック (組)	NEEDLE VIBRATING YOKE CONN. LINK CARRIER FRAME, BLOCK (CPL.)
2	411276	-	-	-	-	-	-	1	ジグザグ調節器 (組)	NEEDLE VIBRATING YOKE CONN. LINK CARRIER FRAME (CPL.)
3	504048	-	-	-	-	-	-	2	針繰ヨークスライド軸止めネジ	NEEDLE VIBRATING YOKE CONN. LINK CARRIER FRAME SLIDE STUD SET SCREW
4	502850-931	-	-	-	-	-	-	1	針繰ヨークスライドブロック	NEEDLE VIBRATING YOKE CONN. LINK SLIDE BEARING
5	411246	-	-	-	-	-	-	1	針繰ヨークスライド軸	NEEDLE VIBRATING YOKE CONN. LINK SLIDE STUD
6	411046	-	-	-	-	-	-	1	ジグザグ調節器調整軸	NEEDLE POSITION ADJ. CAM REGULATING STUD
7	544302	-	-	-	-	-	-	1	ジグザグ調節器調整軸止めネジ	NEEDLE POSITION ADJ. CAM REGULATING STUD SET SCREW
8	411337-451	-	-	-	-	-	-	1	ジグザグ調節レバー	NEEDLE VIBRATING ADJ. LEVER
9	500302-850	-	-	-	-	-	-	2	ジグザグ調節器制限ネジ軸	NEEDLE POSITION ADJ. ECC. STOP SCREW
10	411170	-	-	-	-	-	-	1	ジグザグ調節器制限ブロック (組)	NEEDLE POSITION ADJ. ECC. SLIDE BLOCK BRACKET (CPL.)
11	500067-833	-	-	-	-	-	-	2	ジグザグ調節器制限ネジ止めネジ	NEEDLE POSITION ADJ. CAM STOP SCREW SET SCREW
12	544283	-	-	-	-	-	-	2	ジグザグ調節器制限ネジ	NEEDLE POSITION ADJ. CAM STOP SCREW
13	544286	-	-	-	-	-	-	2	ジグザグ調節器制限ブロック締めネジ	NEEDLE POSITION ADJ. ECC. SLIDE BLOCK BRACKET SCREW
14	282204-451	-	-	-	-	-	-	1	アームカバー (前) (組)	ARM COVER (FRONT) (CPL.)
15	282288-451	-	-	-	-	-	-	1	アームカバー (前), ガasket (組)	ARM COVER (FRONT), GASKET (CPL.)
16	282206	-	-	-	-	-	-	1	アームカバー (前) ガasket	ARM COVER (FRONT) GASKET
17	282198	-	-	-	-	-	-	1	送り調節目盛板	STITCH LENGTH INDICATOR PLATE WINDOW
18	374397-003	-	-	-	-	-	-	2	送り調節目盛板締めネジ	STITCH LENGTH INDICATOR PLATE WINDOW SCREW
19	544213-053	-	-	-	-	-	-	4	アームカバー (前) 締めネジ	ARM COVER (FRONT) SCREW
20	502951-850	-	-	-	-	-	-	1	ジグザグ調節器固定ネジ	NEEDLE POSITION ADJUSTING CAM SET SCREW

# FEED REGULATING INDICATOR, LINK

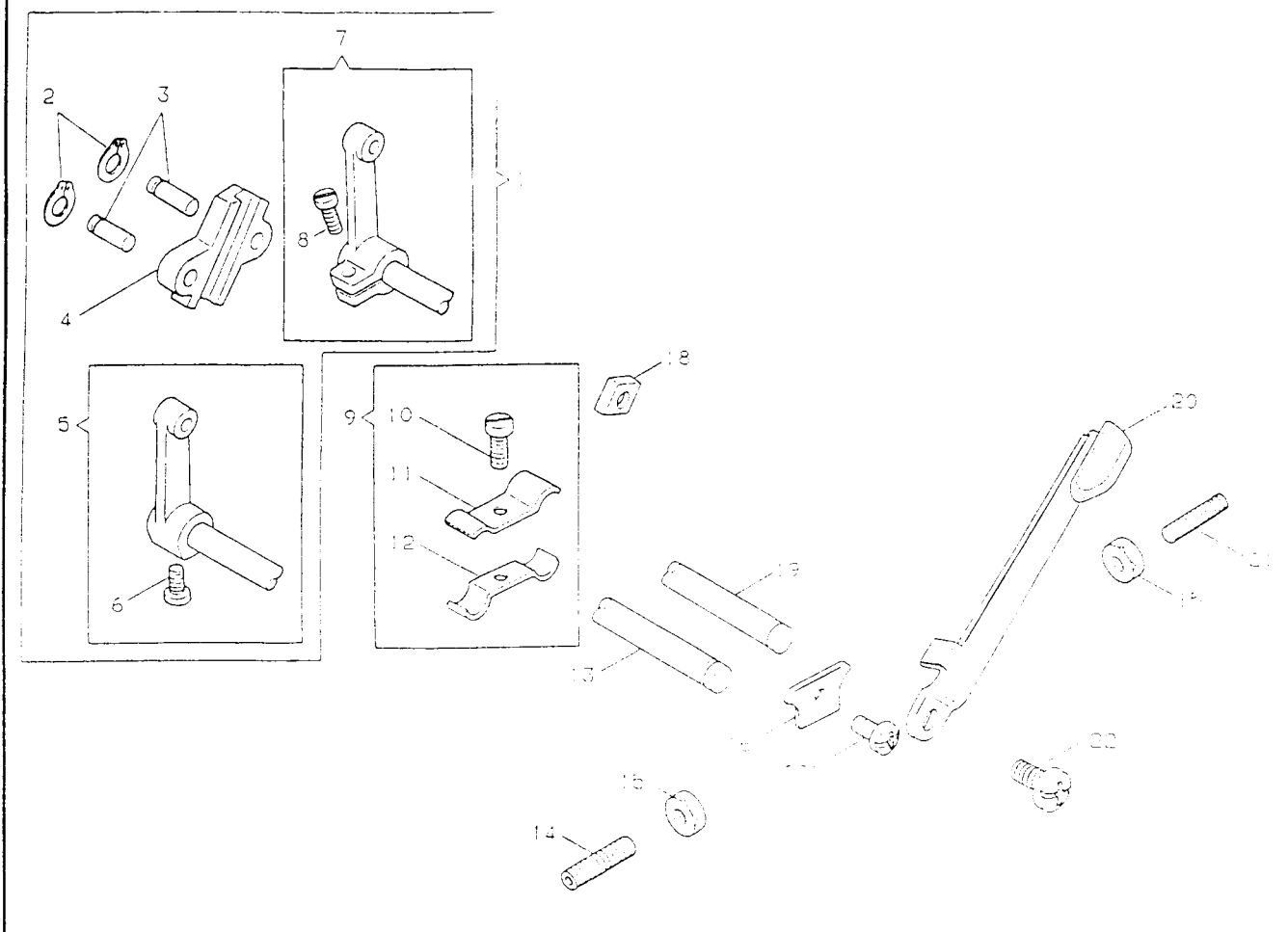
送り調節器, リンク



NO.	部品番号 PART NO.	機種						数量 QTY.	名称	DESCRIPTION
		A105-L	A105-H	A125-L	A125-H	A130-L	A130-H			
1	376118	●	●	●	●	●	●	1	送り調節器, リンク (組)	FEED REGULATING INDICATOR, LINK (CPL.)
2	376129	●	●	●	●	●	●	1	送り調節器 (組)	FEED REGULATING INDICATOR (CPL.)
3	374496-005	●	●	●	●	●	●	2	送り調節器 (体) 締メネジ	FEED REGULATING INDICATOR (BODY) SCREW
4	376131	●	●	●	●	●	●	1	送り調節器ハブ	FEED REGULATING INDICATOR HUB
5	544214-055	●	●	●	●	●	●	1	送り調節器ハブ締メネジ	FEED REGULATING INDICATOR HUB SCREW
6	376130	●	●	●	●	●	●	1	送り調節器 (体)	FEED REGULATING INDICATOR (BODY)
7	376132	●	●	●	●	●	●	1	送り調節器指示板 (組)	FEED REGULATING INDICATOR PLATE (CPL.)
8	544212-052	●	●	●	●	●	●	2	送り調節器締メネジ (大)	FEED REGULATING INDICATOR SCREW (LARGE)
9	414685-001	●	●	●	●	●	●	1	送り調節器締メネジ (小)	FEED REGULATING INDICATOR SCREW (SMALL)
10	411150	●	●	●	●	●	●	1	送り調節器リンク	FEED REGULATING INDICATOR LEVER CONNECTING LINK
11	543801-005	●	●	●	●	●	●	2	送り調節器リンク	FEED REGULATING INDICATOR PLATE PIN RETAINER
12	376134	●	●	●	●	●	●	1	送り調節レバー軸カラー (組)	FEED REGULATING LEVER SHAFT COLLAR (CPL.)
13	544204-001	●	●	●	●	●	●	2	送り調節レバー軸カラー止メネジ	FEED REGULATING LEVER SHAFT COLLAR SET SCREW
14	502878-451	●	●	●	●	●	●	1	送り調節レバー (組)	FEED REGULATING LEVER (ASS'Y)
15	543871-005	●	●	●	●	●	●	1	送り調節レバー軸Oリング	FEED REGULATING LEVER SHAFT O-RING
16	502868	●	●	●	●	●	●	1	送り調節軸メタル	FEED REGULATING CONN. SHAFT BUSHING
17	411184	●	●	●	●	●	●	1	送り調節軸	FEED REGULATING CONN. SHAFT
18	411065	●	●	●	●	●	●	1	送り調節軸カラー (組)	FEED REGULATING CONN. SHAFT COLLAR (CPL.)
19	545174-452	●	●	●	●	●	●	2	送り調節軸カラー止メネジ	FEED REGULATING CONN. SHAFT COLLAR SET SCREW
20	500309-850	●	●	●	●	●	●	2	送り調節器調整ネジ軸	FEED REGULATING SHAFT INDICATOR STOP SCREW
21	502849	●	●	●	●	●	●	1	送り調節器調整ネジフリクション	FEED REGULATING SHAFT INDICATOR STOP SCREW RETAINING SPRING
22	374613	●	●	●	●	●	●	1	送り調節器調整ネジフリクション調整ネジ	FEED REGULATING RETAINING SPRING SCREW
23	282207	●	●	●	●	●	●	1	送り調節目盛板	STITCH LENGTH INDICATOR PLATE
24	544212-055	●	●	●	●	●	●	2	送り調節目盛板締メネジ	STITCH LENGTH INDICATOR PLATE SCREW

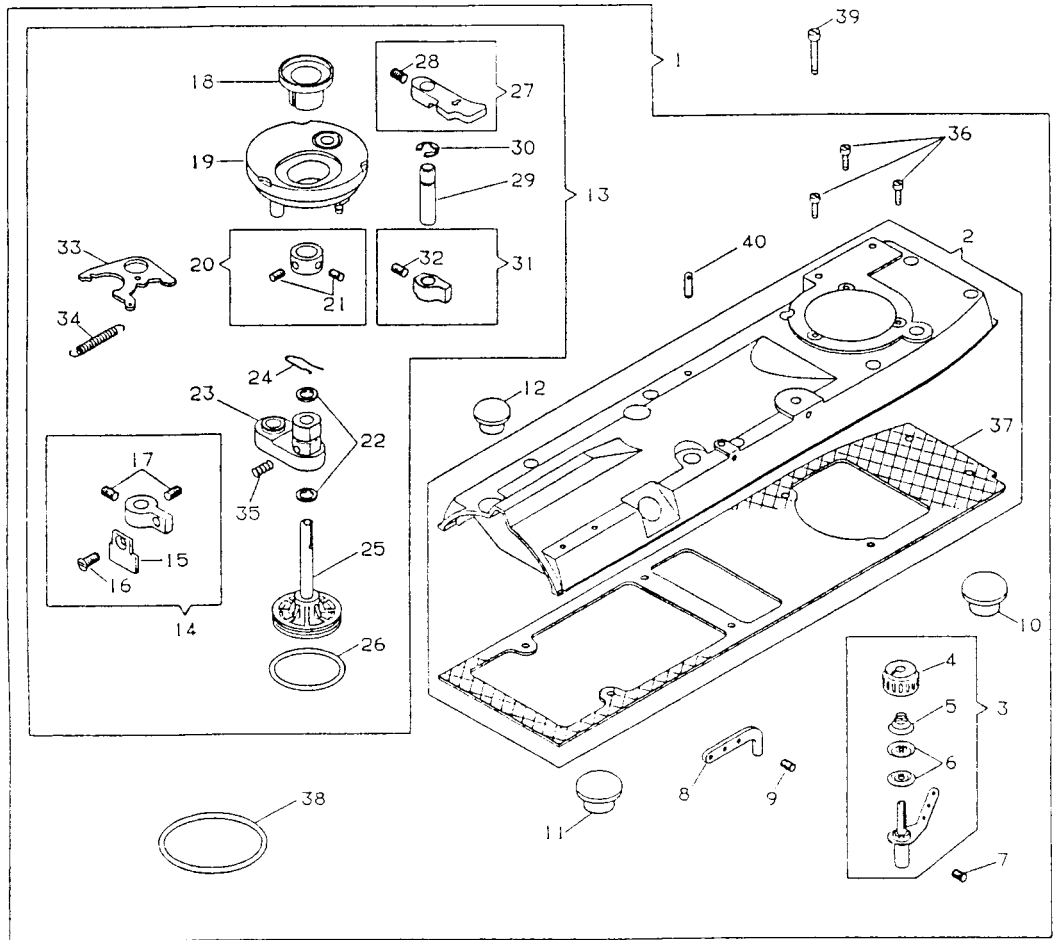
# NEEDLE VIBRATING ADJUSTING BRACKET

ジグザグ幅調節



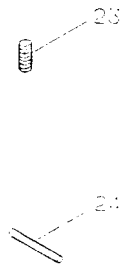
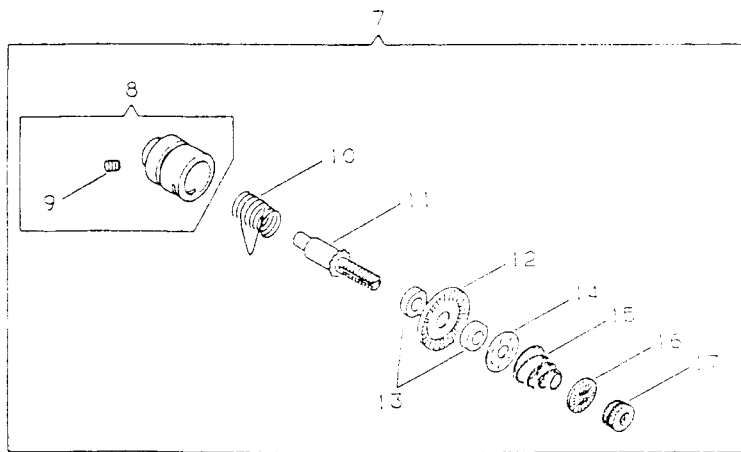
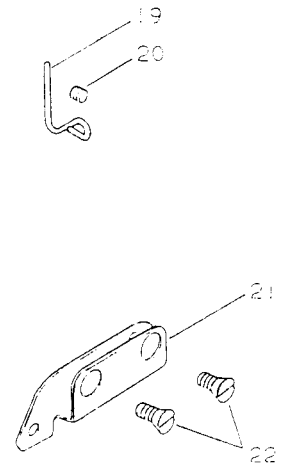
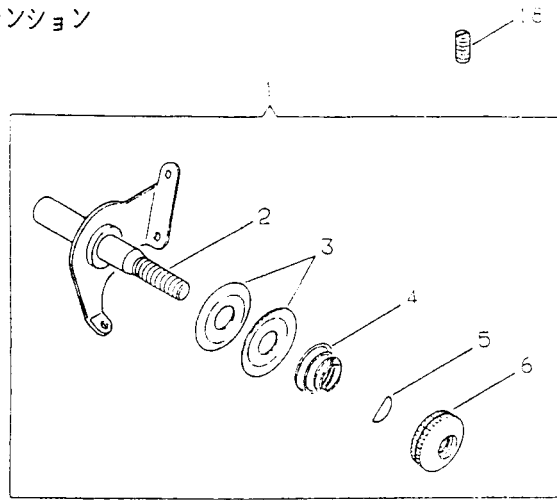
NO.	部品番号 PART NO.	規格						数量 QTY	名称	DESCRIPTION
		A105-L	A105-H	A125-L	A125-H	A135-L	A135-H			
1	411041	●	●	●	●	●	●	1	ジグザグ幅調節(組)	NEEDLE VIBRATING ADJ. BRACKET (CPL.)
2	502793	●	●	●	●	●	●	1	ジグザグ幅調節クランクブラケットヒンジ軸リング	NEEDLE BAR YOKE CONN. LINK STUD SNAP RING
3	502776	●	●	●	●	●	●	2	ジグザグ幅調節ブラケットヒンジ軸	NEEDLE POSITION ADJ. ECC. BUSHING (SMALL) SLIDE BLOCK STUD
4	502775	●	●	●	●	●	●	1	ジグザグ幅調節ブラケット	NEEDLE VIBRATING ADJ. BRACKET
5	411042	●	●	●	●	●	●	1	ジグザグ幅調節リンク(組)	NEEDLE VIBRATING ADJ. GUIDE CRANK (CPL.)
6	549168	●	●	●	●	●	●	1	ジグザグ幅調節リンク止めネジ	NEEDLE VIBRATING ADJ. GUIDE CRANK SET SCREW
7	411044	●	●	●	●	●	●	1	ジグザグ幅調節クランク(組)	NEEDLE VIBRATING ADJ. CRANK (CPL.)
8	545249-452	●	●	●	●	●	●	1	ジグザグ幅調節クランク締めネジ	NEEDLE VIBRATING CRANK PINCH SCREW
9	411077	●	●	●	●	●	●	1	ジグザグ幅調節軸止め板(組)	NEEDLE VIBRATING ADJ. SHAFT CLAMPING BRACKET (CPL.)
10	545361-452	●	●	●	●	●	●	1	ジグザグ幅調節軸止め板締めネジ	NEEDLE VIBRATING ADJ. SHAFT CLAMPING BRACKET SCREW
11	502922	●	●	●	●	●	●	1	ジグザグ幅調節軸止め板(上)	NEEDLE VIBRATING ADJ. SHAFT CLAMPING BRACKET (UPPER)
12	411078	●	●	●	●	●	●	1	ジグザグ幅調節軸止め板(下)	NEEDLE VIBRATING ADJ. SHAFT CLAMPING BRACKET (LOWER)
13	502783	●	●	●	●	●	●	1	ジグザグ幅調節リンク軸	NEEDLE VIBRATING ADJ. GUIDE CRANK SHAFT
14	544208-004	●	●	●	●	●	●	1	ジグザグ幅調節レバー制限ネジ(左)	NEEDLE VIBRATING ADJ. LEVER STOP SCREW (LEFT)
	544208-012	●	●	●	●	●	●	1	ジグザグ幅調節レバー制限ネジ(左)	NEEDLE VIBRATING ADJ. LEVER STOP SCREW (LEFT)
15	541166-002	●	●	●	●	●	●	2	ジグザグ幅調節レバー制限ネジナット	NEEDLE VIBRATING ADJ. LEVER STOP SCREW NUT
16	502788	●	●	●	●	●	●	1	ジグザグ幅調節レバー取付板	NEEDLE VIBRATING ADJ. SHAFT RETAINER
17	544213-051	●	●	●	●	●	●	1	ジグザグ幅調節レバー取付板締めネジ	NEEDLE VIBRATING ADJ. SHAFT RETAINER SCREW
18	502782	●	●	●	●	●	●	1	ジグザグ幅調節器キリアーピンスライドブロック	NEEDLE VIBRATING ADJ. BRACKET SLIDE BLOCK
19	411047	●	●	●	●	●	●	1	ジグザグ幅調節クランク軸	NEEDLE VIBRATING ADJ. CRANK SHAFT
20	502803-451	●	●	●	●	●	●	1	ジグザグ幅調節レバー(組)	NEEDLE VIBRATING ADJ. LEVER (CPL.)
21	544208-004	●	●	●	●	●	●	1	ジグザグ幅調節レバー制限ネジ(右)	NEEDLE VIBRATING ADJ. LEVER STOP SCREW (RIGHT)
22	544282	●	●	●	●	●	●	1	ジグザグ幅調節レバー締めネジ	NEEDLE VIBRATING ADJ. LEVER SCREW

ARM COVER (TOP) (ASSEMBLY)  
アーム上フタ (総組)



NO.	部品番号 PART NO.	A105-L A105-M A125-L A125-M A135-L A135-M A140-M A143-L A143-M						数量 QTY.	名称	DESCRIPTION	
1	282171	●	●	●	●	●	●	●	1	アーム上フタ (総組)	ARM COVER (TOP) (ASS'Y)
2	282289	●	●	●	●	●	●	●	1	アーム上フタ, ガasket (組)	ARM COVER (TOP), GASKET (CPL.)
3	368029	●	●	●	●	●	●	●	1	ボビンワインダーテンション (組)	BOBBIN WINDER TENSION (CPL.)
4	368033	●	●	●	●	●	●	●	1	ボビンワインダーテンションツマミネジ	BOBBIN WINDER TENSION REGULATING THUMB NUT
5	547246	●	●	●	●	●	●	●	1	ボビンワインダーテンションバネ	BOBBIN WINDER TENSION SPRING
6	547247	●	●	●	●	●	●	●	2	ボビンワインダーテンション円子盤	BOBBIN WINDER TENSION DISC
7	544204-001	●	●	●	●	●	●	●	1	ボビンワインダーテンション止めネジ	BOBBIN WINDER TENSION SCREW
8	550020	●	●	●	●	●	●	●	1	三ツ目糸掛ケ	THREAD RETAINER (3-HOLES)
9	544203-007	●	●	●	●	●	●	●	1	三ツ目糸掛ケ止めネジ	THREAD RETAINER (3-HOLES) SCREW
10	544886-451	●	●	●	●	●	●	●	1	アーム上フタプラグ (後)	ARM COVER (TOP) PLUG (BACK)
11	544875	●	●	●	●	●	●	●	1	アーム上フタプラグ (中)	ARM COVER (TOP) PLUG (CENTER)
12	544782	●	●	●	●	●	●	●	1	押エ圧力調整穴プラグ	PRESSER FOOT PRESSURE ADJ. HOLE PLUG
13	282173-451	●	●	●	●	●	●	●	1	ボビンワインダー (組)	BOBBIN WINDER (CPL.)
14	550029	●	●	●	●	●	●	●	1	ボビンワインダーストップパ (組)	BOBBIN WINDER STOPPER (CPL.)
15	550031	●	●	●	●	●	●	●	1	ボビンワインダーストップ板	BOBBIN WINDER STOPPER BOARD
16	374398-002	●	●	●	●	●	●	●	1	ボビンワインダーストップ板ねじ	BOBBIN WINDER STOPPER BOARD SCREW
17	544207-013	●	●	●	●	●	●	●	2	ボビンワインダーストップ止めネジ	BOBBIN WINDER STOPPER SCREW
18	368028	●	●	●	●	●	●	●	1	ボビン受ケ	BOBBIN WINDER SPINDLE THREAD GUARD
19	550022-451	●	●	●	●	●	●	●	1	ボビンワインダー (体)	BOBBIN WINDER (BODY)
20	282175	●	●	●	●	●	●	●	1	糸巻軸カラー (組)	BOBBIN WINDER SHAFT COLLAR (CPL.)
21	544206-011	●	●	●	●	●	●	●	2	糸巻軸カラー止めネジ	BOBBIN WINDER SHAFT COLLAR SCREW
22	546844	●	●	●	●	●	●	●	2	糸巻軸スラスト座金	BOBBIN WINDER SHAFT FRICTION WHEEL WASHER
23	550028	●	●	●	●	●	●	●	1	糸巻軸台	BOBBIN WINDER SHAFT BUSHING
24	411097	●	●	●	●	●	●	●	1	糸巻軸バネ	BOBBIN WINDER SHAFT FRICTION WHEEL SPRING
25	282174	●	●	●	●	●	●	●	1	糸巻軸 (体)	BOBBIN WINDER SHAFT FRICTION WHEEL (BODY)
26	543871-020	●	●	●	●	●	●	●	1	糸巻軸リング	BOBBIN WINDER SHAFT FRICTION WHEEL RING
27	550032	●	●	●	●	●	●	●	1	ボビンワインダーレバー (組)	BOBBIN WINDER LEVER (CPL.)
28	544208-005	●	●	●	●	●	●	●	1	ボビンワインダーレバー止めネジ	BOBBIN WINDER LEVER SCREW
29	368025	●	●	●	●	●	●	●	1	ボビンワインダーレバー軸	BOBBIN WINDER LEVER STUD
30	543860-005	●	●	●	●	●	●	●	1	ボビンワインダーレバー軸止メネジ	BOBBIN WINDER LEVER STUD LINK LOCK WASHER
31	368026	●	●	●	●	●	●	●	1	糸巻調節器 (組)	BOBBIN WINDER REGULATOR (CPL.)
32	544208-005	●	●	●	●	●	●	●	1	糸巻調節器止めネジ	BOBBIN WINDER REGULATOR SCREW
33	368020	●	●	●	●	●	●	●	1	糸巻軸台作動板	BOBBIN WINDER BRACKET ACTUATING PLATE
34	544865	●	●	●	●	●	●	●	1	ボビンワインダーバネ	BOBBIN WINDER SPRING
35	546847	●	●	●	●	●	●	●	1	糸巻軸台バネ	BOBBIN WINDER SHAFT BUSHING SPRING
36	544217-001	●	●	●	●	●	●	●	3	ボビンワインダー止めネジ	BOBBIN WINDER SCREW
37	282177	●	●	●	●	●	●	●	1	アーム上フタgasket	ARM COVER (TOP) GASKET
38	282272	●	●	●	●	●	●	●	1	ボビンワインダーgasket	BOBBIN WINDER GASKET
39	544213-057	●	●	●	●	●	●	●	8	アーム上フタねじ	ARM COVER (TOP) SCREW
40	508562	●	●	●	●	●	●	●	1	糸巻内ねじ	ARM COVER (TOP) THREAD GUIDE STUD

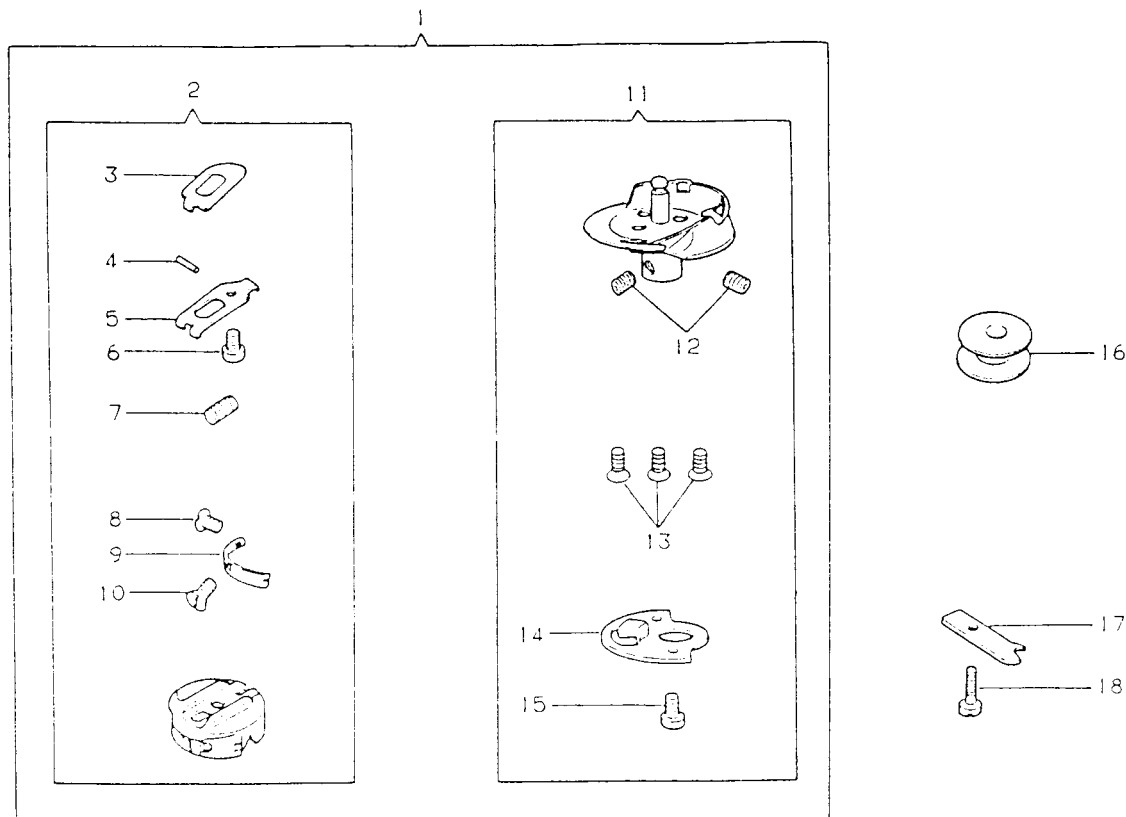
PRETENSION, TENSION  
プリテンション, テンション



NO.	部品番号 PART NO.	AI05-L	AI05-M	AI25-L	AI25-M	AI35-L	AI35-M	AI40-M	AI43-L	AI43-M	数量 QTY.	名称	DESCRIPTION
1	376077	●	●	●	●	●	●	●	●	●	1	プリテンション(組)	PRETENSION (CPL.)
2	376078	●	●	●	●	●	●	●	●	●	1	プリテンションブラケット	PRETENSION BRACKET
3	547247	●	●	●	●	●	●	●	●	●	2	プリテンション皿	PRETENSION DISC
4	368824	●	●	●	●	●	●	●	●	●	1	プリテンションバネ	PRETENSION SPRING
5	376080	●	●	●	●	●	●	●	●	●	1	プリテンションナットフリクション	PRETENSION ADJUSTING NUT SPRING
6	376081	●	●	●	●	●	●	●	●	●	1	プリテンションナット	PRETENSION ADJUSTING NUT
7	411025	●	●	●	●	●	●	●	●	●	1	上糸調節器(組)	TENSION (CPL.)
8	411026	●	●	●	●	●	●	●	●	●	1	糸調子外筒(組)	THREAD TAKE-UP SPRING REGULATOR (CPL.)
9	50305-850	●	●	●	●	●	●	●	●	●	1	糸調子停止メネジ	TENSION STUD SET SCREW
10	502668	●	●	●	●	●	●	●	●	●	1	糸取りバネ	THREAD TAKE-UP SPRING
11	411158	●	●	●	●	●	●	●	●	●	1	糸調子棒	TENSION STUD
12	411152	●	●	●	●	●	●	●	●	●	2	糸調子皿フェルト	TENSION FELT WASHER
13	411155	●	●	●	●	●	●	●	●	●	1	糸調子皿	TENSION WHEEL
14	509076	●	●	●	●	●	●	●	●	●	1	糸ユルメ板	TENSION RELEASING DISC
15	272219	●	●	●	●	●	●	●	●	●	1	糸調子バネ	TENSION SPRING
16	411154	●	●	●	●	●	●	●	●	●	1	糸調子ナット座金	TENSION THUMB NUT LOCK WASHER
17	541182	●	●	●	●	●	●	●	●	●	1	糸調子ナット	TENSION THUMB NUT
18	50429-833	●	●	●	●	●	●	●	●	●	1	プリテンション止メネジ	PRETENSION BRACKET SET SCREW
19	502666	●	●	●	●	●	●	●	●	●	1	糸掛ケ(前)	THREAD PULL OFF
20	549056	●	●	●	●	●	●	●	●	●	1	糸掛ケ(前)止メネジ	THREAD PULL OFF SET SCREW
21	502665	●	●	●	●	●	●	●	●	●	1	糸案内(前)	THREAD GUIDE
22	500246-850	●	●	●	●	●	●	●	●	●	2	糸案内(前)止メネジ	THREAD GUIDE SCREW
23	544303	●	●	●	●	●	●	●	●	●	1	糸調子外筒止メネジ	THREAD REGULATOR SET SCREW
24	270086	●	●	●	●	●	●	●	●	●	1	糸ユルメピン	TENSION RELEASING PIN

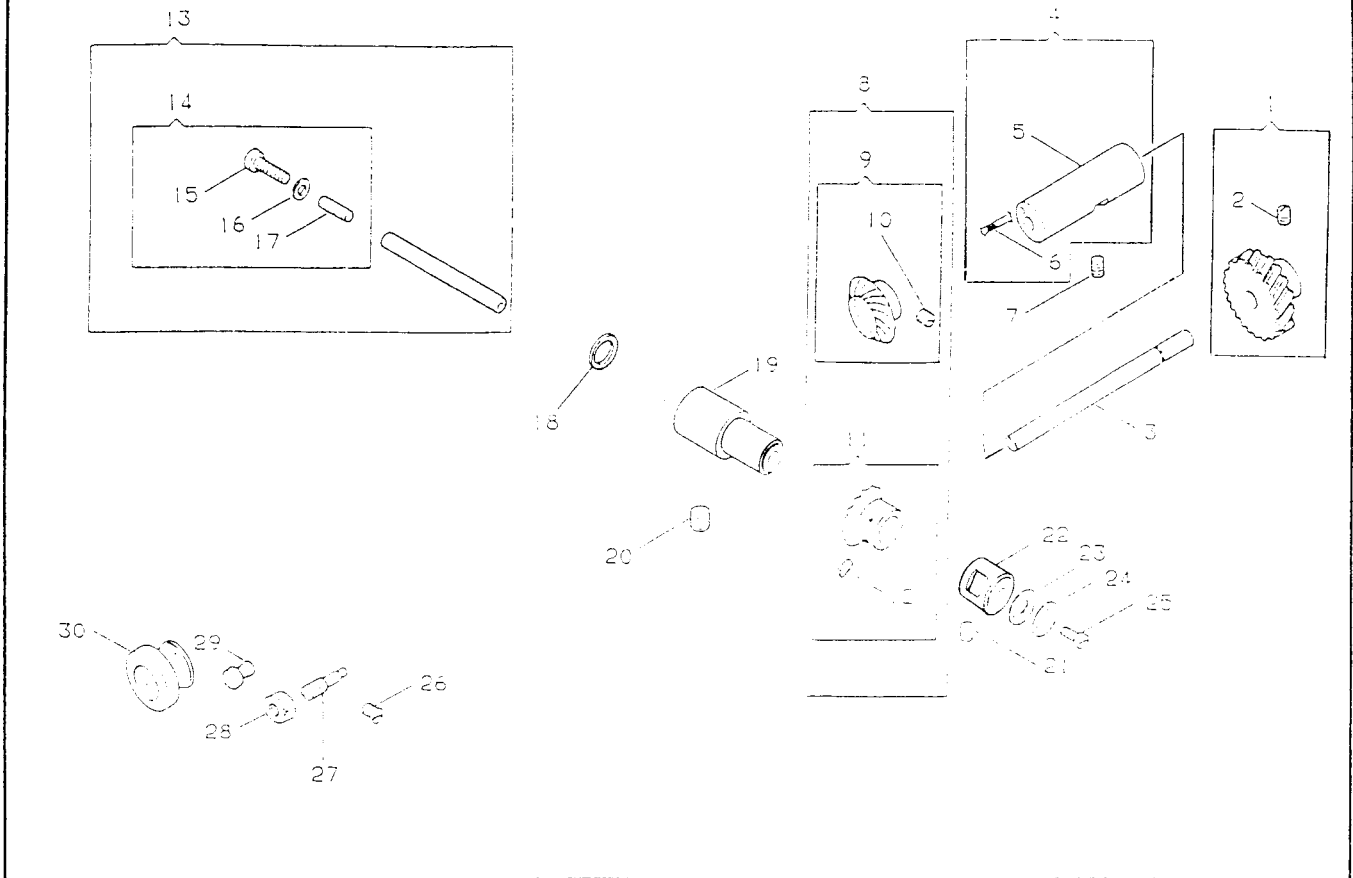


HOOK, BOBBIN CASE  
フック, ボビンケース



NO.	部品番号 PART NO.	A105-L	A105-H	A121-L	A121-M	A135-L	A135-M	A140-L	A140-M	A142-L	A142-H	数量 QTY.	名称	DESCRIPTION
1	282298	•	•	•	•	•	•	•	•	•	•	1	フックボビンケース(組)	HOOK AND BOBBIN CASE (CPL.)
2	502530	•	•	•	•	•	•	•	•	•	•	1	ボビンケース	BOBBIN CASE CAP (CPL.)
3	502717	•	•	•	•	•	•	•	•	•	•	1	ボビンケースラッチレバー	BOBBIN CASE LATCH LEVER
4	210735	•	•	•	•	•	•	•	•	•	•	1	ボビンケースラッチピン	BOBBIN CASE LATCH PIN
5	210913	•	•	•	•	•	•	•	•	•	•	1	ボビンケースラッチ	BOBBIN CASE LATCH
6	200964	•	•	•	•	•	•	•	•	•	•	1	ボビンケースラッチ制限ネジ	BOBBIN CASE LATCH STOP SCREW
7	210736	•	•	•	•	•	•	•	•	•	•	1	ボビンケースラッチバネ	BOBBIN CASE LATCH SPRING
8	200592	•	•	•	•	•	•	•	•	•	•	1	ボビンケーステンションバネ締メネジ	BOBBIN CASE CAP TENSION SPRING SCREW
9	508530	•	•	•	•	•	•	•	•	•	•	1	ボビンケーステンションバネ	BOBBIN CASE CAP TENSION SPRING
10	201016	•	•	•	•	•	•	•	•	•	•	1	ボビンケーステンションバネ調整ネジ	BOBBIN CASE CAP TENSION SPRING REG. SCREW
11	282293	•	•	•	•	•	•	•	•	•	•	1	フック(組)	HOOK (CPL.)
12	500306	•	•	•	•	•	•	•	•	•	•	2	フック締メネジ	HOOK SET SCREW
13	141525	•	•	•	•	•	•	•	•	•	•	3	フックジブ締メネジ	HOOK GIB SCREW
14	508537	•	•	•	•	•	•	•	•	•	•	1	針受け	HOOK NEEDLE GUARD AND COUNTERBALANCE
15	141507	•	•	•	•	•	•	•	•	•	•	1	針受け締メネジ	HOOK NEEDLE GUARD AND COUNTERBALANCE SCREW
16	233028-452	•	•	•	•	•	•	•	•	•	•	1	ボビン	BOBBIN
17	502536	•	•	•	•	•	•	•	•	•	•	1	中ガマ止め	BOBBIN CASE STOP
18	190-850	•	•	•	•	•	•	•	•	•	•	1	中ガマ止め締メネジ	BOBBIN CASE STOP SCREW

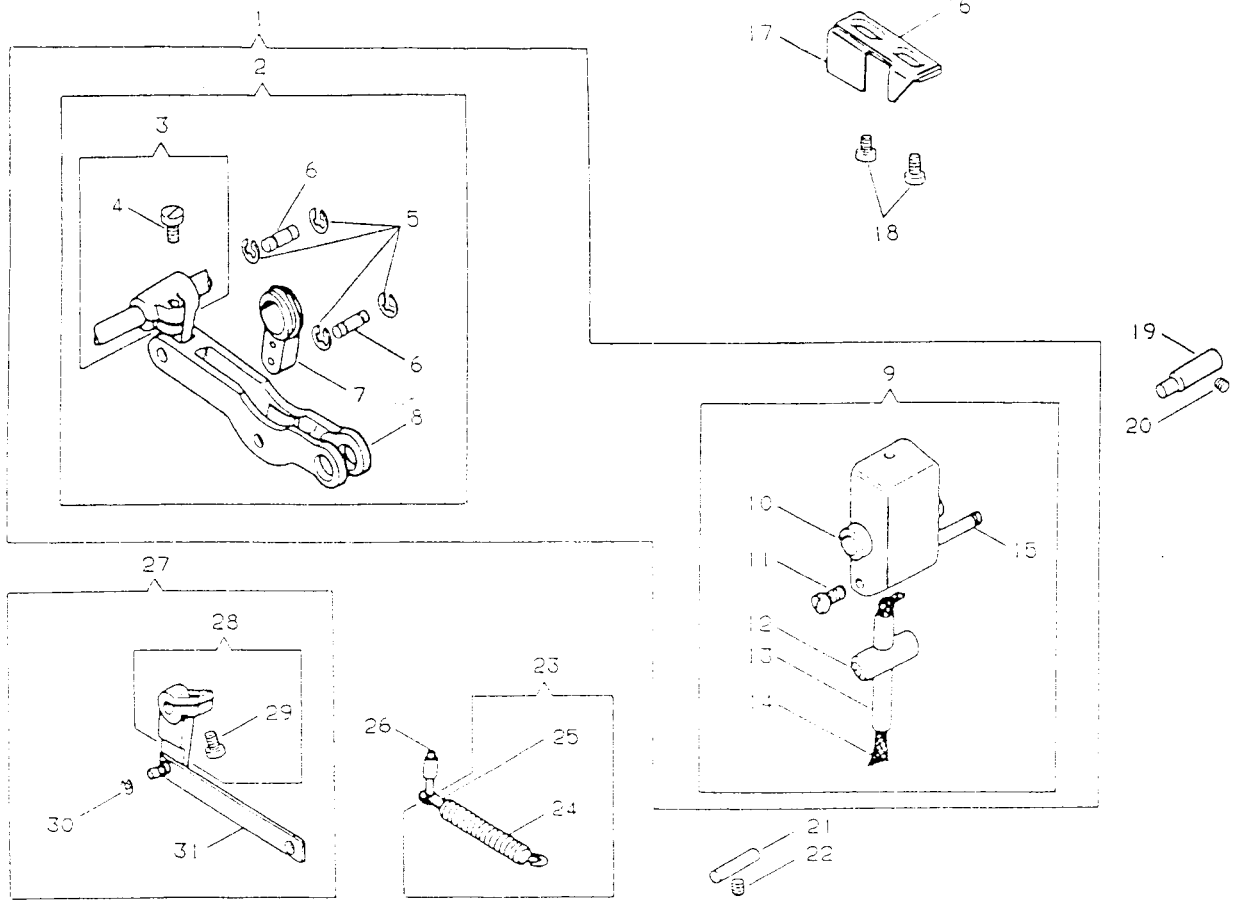
HOOK SHAFT, BEVEL GEAR  
フックシャフト, ベベルギア関係



NO.	部品番号 PART NO.	AI05-L	AI05-M	AI25-L	AI25-M	AI35-L	AI35-M	AI40-M	AI43-L	AI43-M	AI43-R	数量 QTY	名称	DESCRIPTION
1	411003	•	•	•	•	•	•	•	•	•	•	1	フックドライブングシフトギア(組)	HOOK DRIVING SHAFT HELICAL GEAR (CPL.)
2	504101	•	•	•	•	•	•	•	•	•	•	2	フックドライブングシフトギア-止めネジ	HOOK DRIVING SHAFT HELICAL GEAR SET SCREW
3	282215	•	•	•	•	•	•	•	•	•	•	1	フックドライブングシャフト	HOOK DRIVING SHAFT
4	282210	•	•	•	•	•	•	•	•	•	•	1	フックドライブングシフトブッシュ(組)	HOOK DRIVING SHAFT BUSHING (CPL.)
5	282211	•	•	•	•	•	•	•	•	•	•	1	フックドライブングシフトブッシュ	HOOK DRIVING SHAFT BUSHING
6	282212	•	•	•	•	•	•	•	•	•	•	1	フックドライブングシフトブッシュワイヤ	HOOK DRIVING SHAFT BUSHING WICK
7	544305	•	•	•	•	•	•	•	•	•	•	1	下軸メタル止めネジ	BED SHAFT BUSHING SET SCREW
8	411038	•	•	•	•	•	•	•	•	•	•	1	ベベルギア(前)	A PAIR OF BEVEL GEARS
9	411039	•	•	•	•	•	•	•	•	•	•	1	フックドライブングシフトベベルギア(組)	HOOK DRIVING SHAFT BEVEL GEAR (CPL.)
10	504101	•	•	•	•	•	•	•	•	•	•	2	フックドライブングシフトベベルギア-止めネジ	HOOK DRIVING SHAFT BEVEL GEAR SET SCREW
11	411040	•	•	•	•	•	•	•	•	•	•	1	フックシャフトベベルギア(組)	HOOK SHAFT BEVEL GEAR (CPL.)
12	504101	•	•	•	•	•	•	•	•	•	•	2	フックシャフトベベルギア-止めネジ	HOOK SHAFT BEVEL GEAR SET SCREW
13	282213	•	•	•	•	•	•	•	•	•	•	1	フックシャフト(組)	HOOK SHAFT (CPL.)
14	376162	•	•	•	•	•	•	•	•	•	•	1	フックシャフトキャップネジ(組)	HOOK SHAFT OIL FILTER WICK HOLDER (CPL.)
15	544320	•	•	•	•	•	•	•	•	•	•	1	フックシャフトキャップネジ	HOOK SHAFT OIL FILTER WICK HOLDER
16	271808	•	•	•	•	•	•	•	•	•	•	1	フックシャフトキャップネジシール	HOOK SHAFT OIL FILTER WICK HOLDER SEAL
17	376154	•	•	•	•	•	•	•	•	•	•	1	フックシャフトオイルフェルト	HOOK SHAFT OIL FILTER FELT
18	368167	•	•	•	•	•	•	•	•	•	•	1	フックシャフトブッシュ(後)オイルシール	HOOK SHAFT BUSHING (BACK) OIL SEAL
19	282209	•	•	•	•	•	•	•	•	•	•	1	フックシャフトブッシュ(後)	HOOK SHAFT BUSHING (BACK)
20	544305	•	•	•	•	•	•	•	•	•	•	1	フックシャフトブッシュ(後)止めネジ	HOOK SHAFT BUSHING (BACK) SET SCREW
21	500264-833	•	•	•	•	•	•	•	•	•	•	1	フックシャフトブッシュ(前)止めネジ	HOOK SHAFT BUSHING (FRONT) SET SCREW
22	508914	•	•	•	•	•	•	•	•	•	•	1	フックシャフトブッシュ(前)	HOOK SHAFT BUSHING (FRONT)
23	502572	•	•	•	•	•	•	•	•	•	•	1	フックシャフトブッシュキャップガスケット	HOOK SHAFT BUSHING CAP GASKET
24	502611	•	•	•	•	•	•	•	•	•	•	1	フックシャフトブッシュキャップ	HOOK SHAFT BUSHING CAP
25	229	•	•	•	•	•	•	•	•	•	•	3	フックシャフトブッシュ(前)キャップネジ	HOOK SHAFT BUSHING (FRONT) CAP SCREW
26	504134	•	•	•	•	•	•	•	•	•	•	1	バイパスネジ	HOOK OIL BYPASS SCREW
27	500247-833	•	•	•	•	•	•	•	•	•	•	1	フックオイル調節ネジ	HOOK OIL REGULATING SCREW
28	545425-452	•	•	•	•	•	•	•	•	•	•	1	オイル調節ネジロックナット	HOOK OIL REGULATING SCREW LOCK NUT
29	502577	•	•	•	•	•	•	•	•	•	•	1	フックシャフトギアボックスプラグ	HOOK SHAFT GEAR BOX PLUG
30	502818	•	•	•	•	•	•	•	•	•	•	1	ベントキャップ	HOOK GEAR BOX VENT CAP

# FEED DRIVING CONNECTION, CARRIER FRAME

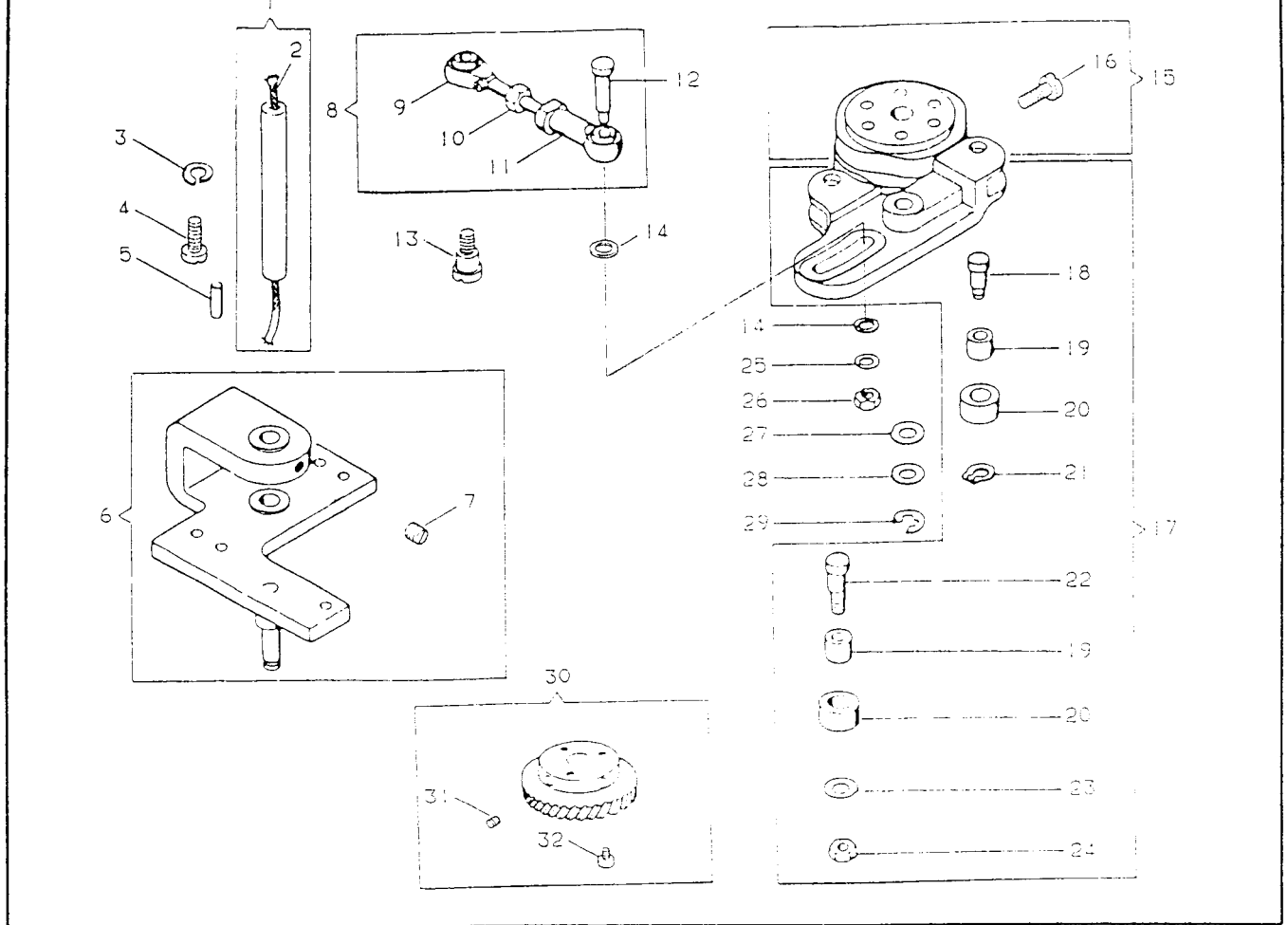
フィードレバー、キャリアー関係



NO.	部品番号 PART NO.	Material Code						数量 QTY.	名称	DESCRIPTION
		A103-L	A103-H	A125-L	A125-H	A135-L	A135-H			
1	411058	•	•	•	•	•	•	1	フィードレバー、キャリアー(組)	FEED DRIVING CONN., CARRIER FRAME (CPL.)
2	411061	•	•	•	•	•	•	1	フィードレバー(組)	FEED DRIVING CONN. (CPL)
3	502847	•	•	•	•	•	•	1	フィードコネクションクランク(組)	FEED DRIVING CONN. CRANK (CPL)
4	1177-850	•	•	•	•	•	•	1	フィードコネクションクランク締メネジ	FEED DRIVING CONN. CRANK PINCH SCREW
5	543801-005	•	•	•	•	•	•	4	フィードレバーリング	FEED DRIVING CONN. LEVER HINGE PIN RETAINER
6	502845	•	•	•	•	•	•	2	フィードレバーヒンジピン	FEED DRIVING CONN. LEVER HINGE PIN
7	502844	•	•	•	•	•	•	1	フィードコネクションリンク	FEED DRIVING CONN. LINK
8	502843	•	•	•	•	•	•	1	フィードレバー	FEED DRIVING CONN. LEVER
9	411059	•	•	•	•	•	•	1	フィードキャリアー(組)	FEED DRIVING CONN. CARRIER FRAME (CPL.)
10	411060	•	•	•	•	•	•	1	フィードキャリアー	FEED DRIVING CONN. CARRIER FRAME
11	545249-452	•	•	•	•	•	•	1	フィードレバースライド軸止メネジ	NEEDLE POSITION ADJ. ECC. POSITION SPRING SCREW
12	502850-931	•	•	•	•	•	•	1	フィードレバースライドロック	FEED DRIVING CONN. LEVER SLIDE BEARING
13	502857	•	•	•	•	•	•	1	フィードレバースライド軸	FEED DRIVING CONN. CARRIER FRAME SLIDE STUD
14	502858	•	•	•	•	•	•	1	フィードレバースライド軸オイルワック	FEED DRIVING CONN. CARRIER FRAME SLIDE STUD OIL WICK
15	502949	•	•	•	•	•	•	1	フィードキャリアーバネ掛軸	FEED DRIVING CONN. CARRIER FRAME SPRING STUD
16	508523	•	•	•	•	•	•	1	フィードキャリアー制動(後)	FEED DRIVING CONN. CARRIER FRAME STOP (BACK)
17	508524	•	•	•	•	•	•	1	フィードキャリアー制動(前)	FEED DRIVING CONN. CARRIER FRAME STOP (FRONT)
18	544449	•	•	•	•	•	•	2	フィードキャリアー制動締メネジ	FEED DRIVING CONN. CARRIER FRAME STOP SCREW
19	502860	•	•	•	•	•	•	1	フィードキャリアーヒンジピン(右)	FEED DRIVING CONN. CARRIER FRAME BEARING STUD (RIGHT)
20	544307	•	•	•	•	•	•	1	フィードキャリアーヒンジピン(右)止メネジ	FEED DRIVING CONN. CARRIER FRAME STUD SET SCREW (RIGHT)
21	502859	•	•	•	•	•	•	1	フィードキャリアーヒンジピン(左)	FEED DRIVING CONN. CARRIER FRAME BEARING STUD (LEFT)
22	504066-452	•	•	•	•	•	•	1	フィードキャリアーヒンジピン(左)止メネジ	FEED DRIVING CONN. CARRIER FRAME STUD SET SCREW (LEFT)
23	502932	•	•	•	•	•	•	1	フィードキャリアーバネ(組)	FEED DRIVING CONN. CARRIER FRAME SPRING (CPL.)
24	502866	•	•	•	•	•	•	1	フィードキャリアーバネ	FEED DRIVING CONN. CARRIER FRAME SPRING
25	502931	•	•	•	•	•	•	1	フィードキャリアーバネ支え	FEED DRIVING CONN. CARRIER FRAME SPRING RETAINER
26	502867	•	•	•	•	•	•	1	フィードキャリアーバネ掛軸(ベッド)	FEED DRIVING CONN. CARRIER FRAME SPRING STUD
27	411062	•	•	•	•	•	•	1	送り調節クランク、リンク(組)	FEED REGULATING CONN. SHAFT CRANK & LINK (ASS'Y)
28	411063	•	•	•	•	•	•	1	送り調節クランク(組)	FEED REGULATING CONN. SHAFT CRANK (CPL.)
29	544286	•	•	•	•	•	•	1	送り調節クランク締メネジ	FEED REGULATING CONN. SHAFT CRANK PINCH SCREW
30	543801-005	•	•	•	•	•	•	1	送り調節クランクリンクリング	FEED REGULATING CONN. SHAFT CRANK LINK RETAINING RING
31	502862	•	•	•	•	•	•	1	送り調節クランクリンク	FEED REGULATING CONN. SHAFT CRANK LINK

# FEED CONTROL CAM

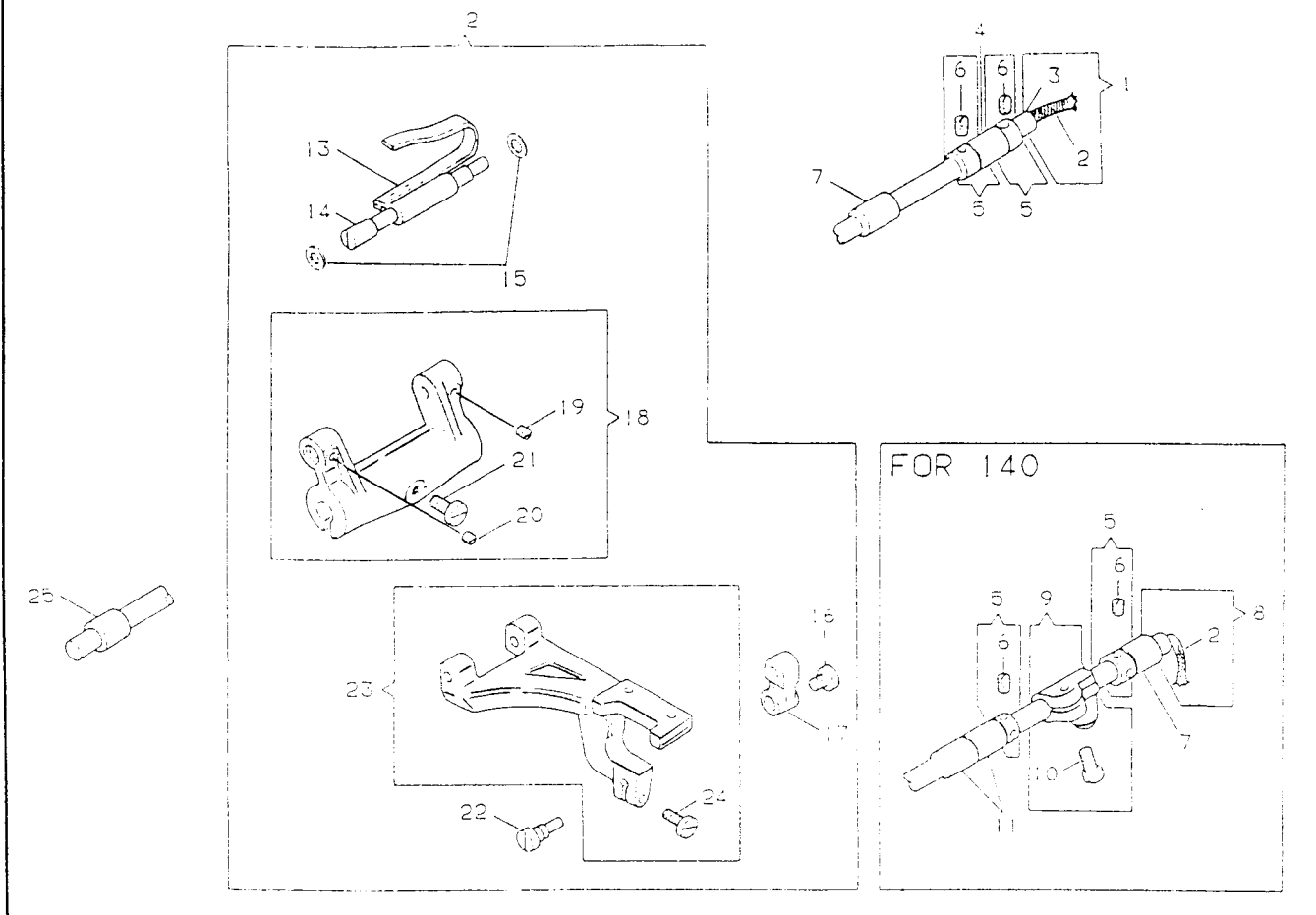
フィードカム



NO.	部品番号 PART NO.	規格						数量 QTY.	名称	DESCRIPTION
		A105-L	A105-M	A125-L	A125-M	A135-L	A135-M			
1	508788							1	フィードカムシャフト(兼)	FEED CONTROL CAM SHAFT (CPL.)
2	411240							1	フィードカムシャフトオイル	FEED CONTROL CAM SHAFT OIL WICK
3	543805-004							3	フィードカム取付台ボルト	FEED CONTROL CAM MOUNTING BRACKET SCREW
4	544285							3	フィードカム取付台ボルト	FEED CONTROL CAM MOUNTING BRACKET SCREW
5	548035							2	フィードカム取付台ボルト	FEED CONTROL CAM MOUNTING BRACKET SCREW
6	508787							1	フィードカム(兼)	FEED CONTROL CAM (CPL.)
7	500014-850							1	フィードカム取付台ボルト	FEED CONTROL CAM MOUNTING BRACKET SCREW
8	508795							1	フィードカム(兼)	FEED CONTROL CAM (CPL.)
9	508797							1	フィードカムボールジョイント(オス)	FEED CONTROL CONN. BALL JOINT (MALE)
10	500763-809							1	フィードカムロックナット	FEED CONTROL CONN. LOCK NUT
11	508796							1	フィードカムボールジョイント(メス)	FEED CONTROL CONN. BALL JOINT (FEMALE)
12	544370							1	フィードカム調整ボルト	FEED CONTROL CONN. ADJ. SCREW
13	544369							1	フィードカム調整ボルト	FEED CONTROL CONN. HINGE SCREW
14	543874-005							2	フィードカム調整ボルトワッシャー	FEED CONTROL CONN. ADJ. SCREW WASHER
15	411195							1	フィードカム(兼)	FEED CONTROL CAM (CPL.)
16	545136-452							2	フィードカム止めボルト	FEED CONTROL CAM SET SCREW
17	411197							1	フィードカムフォロワー(兼)	FEED CONTROL CAM FOLLOWER (CPL.)
18	508793							1	フィードカムフォロワーローラーピン	FEED CONTROL CAM FOLLOWER ARM HINGE PIN
19	502964							2	フィードカムフォロワーローラーベアリング	FEED CONTROL CAM FOLLOWER ROLLER NEEDLE BEARING
20	502960							2	フィードカムフォロワーローラー	FEED CONTROL CAM FOLLOWER ROLLER
21	502802							1	フィードカムフォロワーローラーピン留めリング	FEED CONTROL CAM FOLLOWER ARM HINGE PIN RETAINING RING
22	544371							1	フィードカムフォロワー調整ボルト	FEED CONTROL CAM FOLLOWER ARM HINGE SCREW (ECC.)
23	502961							1	フィードカムフォロワー調整ボルトワッシャー	FEED CONTROL CAM FOLLOWER ARM HINGE SCREW WASHER
24	1664-850							1	フィードカムフォロワー調整ボルト	FEED CONTROL CAM FOLLOWER ARM HINGE SCREW
25	507523							1	フィードカム調整ボルト	FEED CONTROL CONN. ADJ. SCREW SPRING WASHER
26	541180							1	フィードカム調整ボルト	FEED CONTROL CONN. ADJ. SCREW NUT
27	502963							1	フィードカムフォロワー調整ボルト	FEED CONTROL CAM FOLLOWER ARM HINGE SCREW
28	502990							1	フィードカムフォロワー調整ボルト	FEED CONTROL CAM FOLLOWER ARM HINGE SCREW
29	502744							1	フィードカムフォロワー調整ボルト	FEED CONTROL CAM FOLLOWER ARM HINGE SCREW
30	411174							1	フィードカムシャフトウォームホイール(兼)	FEED CONTROL CAM SHAFT WORM WHEEL (CPL.)
31	544307							1	フィードカムシャフトウォームホイール止めボルト	FEED CONTROL CAM SHAFT WORM WHEEL SET SCREW
32	545249-452							3	フィードカムシャフトウォームホイール止めボルト	FEED CONTROL CAM SHAFT WORM WHEEL DISC SCREW

# FEED DRIVING ROCK SHAFT CRANK

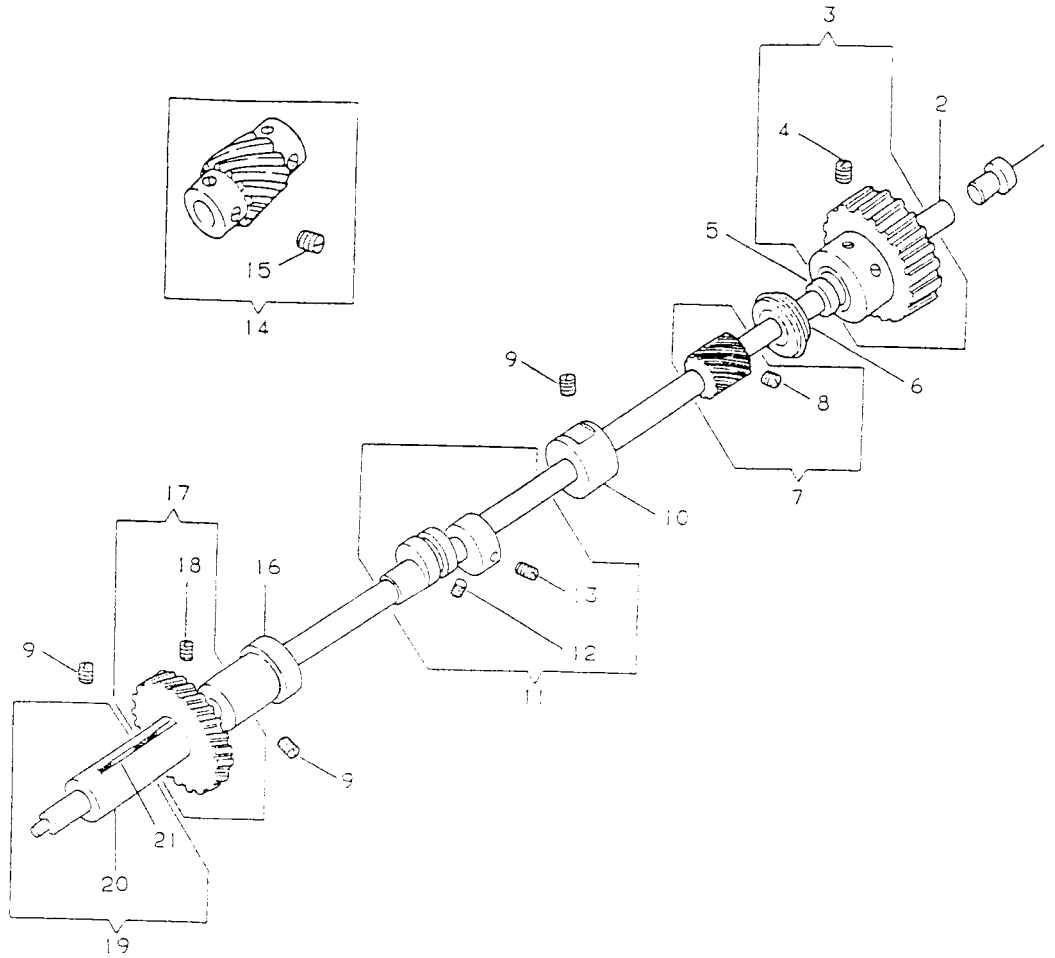
水平送り軸クランク関係



NO.	部品番号 PART NO.	適用機種							数量 QTY.	名称	DESCRIPTION
		A105-L	A105-M	A125-L	A125-M	A135-L	A135-M	A140-M			
1	502879	●	●	●	●	●	●	●	1	水平送り軸(組)	FEED DRIVING ROCK SHAFT (CPL.)
2	502560-002	●	●	●	●	●	●	●	1	水平送り軸ワック	FEED DRIVING ROCK SHAFT OIL WICK
3	502880	●	●	●	●	●	●	●	1	水平送り軸	FEED DRIVING ROCK SHAFT
4	502558	●	●	●	●	●	●	●	1	水平送り軸メタル(後)	FEED DRIVING ROCK SHAFT BUSHING (BACK)
5	411118	●	●	●	●	●	●	●	2	水平送り軸カラー(組)	FEED DRIVING ROCK SHAFT COLLAR (CPL.)
6	544053	●	●	●	●	●	●	●	4	水平送り軸カラー止めネジ	FEED DRIVING ROCK SHAFT COLLAR SET SCREW
7	502892	●	●	●	●	●	●	●	1	水平送り軸メタル(中)	FEED DRIVING ROCK SHAFT BUSHING (CENTER)
8	508799	●	●	●	●	●	●	●	1	水平送り軸(組)	FEED DRIVING ROCK SHAFT (CPL.)
9	411193	●	●	●	●	●	●	●	1	フードコネクションクランク(組)	FEED CONTROL CONNECTION CRANK (CPL.)
10	1177-850	●	●	●	●	●	●	●	1	フードコネクションクランク締めネジ	FEED CONTROL CONNECTION CRANK PINCH SCREW
11	502825	●	●	●	●	●	●	●	2	水平送り軸メタル(中)	FEED DRIVING ROCK SHAFT BUSHING (CENTER)
12	502675-002	●	●	●	●	●	●	●	1	水平送り軸クランク(組)	FEED DRIVING ROCK SHAFT CRANK (ASS'Y)
13	502542	●	●	●	●	●	●	●	1	送り台ヒンジピンフェルト(組)	FEED BAR HIGE PIN FELT (CPL.)
14	502541	●	●	●	●	●	●	●	1	送り台ヒンジピン	FEED BAR HIGE PIN
15	502544	●	●	●	●	●	●	●	2	送り台ヒンジピンワッシャー	FEED BAR HIGE PIN WASHER
16	51388-850	●	●	●	●	●	●	●	1	上下送りリンクヒンジキャップネジ	FEED BAR LIFTING LINK HINGE PIN CAP SCREW
17	502545	●	●	●	●	●	●	●	1	上下送りリンク	FEED BAR LIFTING LINK
18	411028	●	●	●	●	●	●	●	1	送り台キリヤー(組)	FEED DRIVING ROCK SHAFT CRANK (CPL.)
19	504134	●	●	●	●	●	●	●	1	送り台ヒンジピン止めネジ(長)	FEED BAR HIGE PIN SET SCREW (LONG)
20	504048	●	●	●	●	●	●	●	1	送り台ヒンジピン止めネジ(短)	FEED BAR HIGE PIN SET SCREW (SHORT)
21	500257-850	●	●	●	●	●	●	●	1	送り台キリヤー締めネジ	FEED DRIVING ROCK SHAFT CRANK SCREW
22	502546	●	●	●	●	●	●	●	1	上下送りリンクヒンジピン	FEED BAR LIFTING LINK HINGE PIN
23	411030	●	●	●	●	●	●	●	1	送り台(組)	FEED BAR (CPL.)
24	544291	●	●	●	●	●	●	●	1	上下送りリンクヒンジ締めネジ	FEED BAR LIFTING LINK HINGE PIN SCREW
25	502826	●	●	●	●	●	●	●	1	水平送り軸メタル(前)	FEED DRIVING ROCK SHAFT BUSHING (FRONT)

BED SHAFT

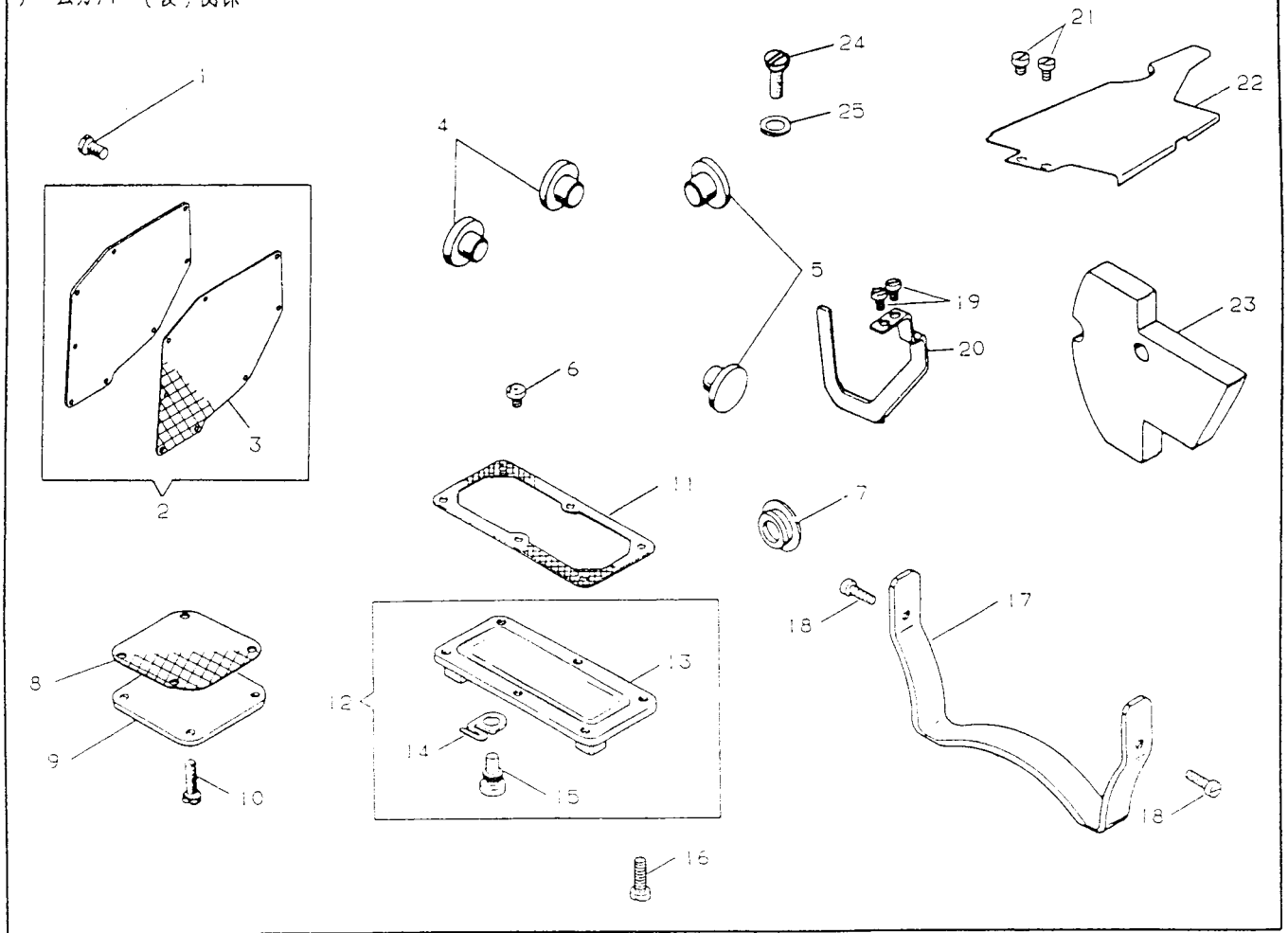
下軸関係



NO.	部品番号 PART NO.	A105-L	A105-H	A125-L	A125-H	A135-L	A135-H	A140-H	A143-L	A143-H	数量 QTY.	名称	DESCRIPTION
1	502752	●	●	●	●	●	●	●	●	●	1	下軸止メ栓	BED SHAFT PLUG
2	502837	●	●	●	●	●	●	●	●	●	1	下軸	BED SHAFT
	508784-900	-	-	-	-	-	-	-	-	-	1	下軸	BED SHAFT
3	502704	●	●	●	●	●	●	●	●	●	1	下軸ベルトプーリー(組)	BED SHAFT CONN. BELT PULLEY (CPL.)
4	140930-869	●	●	●	●	●	●	●	●	●	2	下軸ベルトプーリー止メネジ	BED SHAFT CONN. BELT PULLEY SET SCREW
5	502518-002	●	●	●	●	●	●	●	●	●	1	下軸ベルトプーリースペース	BED SHAFT CONN. BELT PULLEY SPACER
6	272144	●	●	●	●	●	●	●	●	●	1	下軸ベアリング	BED SHAFT BALL BEARING
7	411037	●	●	●	●	●	●	●	●	●	1	オイルポンプドライブギア(組)	OIL PUMP DRIVING GEAR (CPL.)
8	504102	●	●	●	●	●	●	●	●	●	2	オイルポンプドライブギア止メネジ	OIL PUMP DRIVING GEAR SET SCREW
9	544305	●	●	●	●	●	●	●	●	●	3	下軸メタル止メネジ	BED SHAFT BUSHING SET SCREW
10	502838	●	●	●	●	●	●	●	●	●	1	下軸メタル(後)	BED SHAFT BUSHING (BACK)
11	502839	●	●	●	●	●	●	●	●	●	1	送りカム(組)	FEED DRIVING ECC. (CPL.)
12	449-833	●	●	●	●	●	●	●	●	●	1	送りカム止メネジ	FEED DRIVING ECC. SET SCREW
13	500308-833	●	●	●	●	●	●	●	●	●	1	送りカム位置決めネジ	FEED DRIVING ECC. POSITION SCREW
14	411192	●	●	●	●	●	●	●	●	●	1	下軸ワーム(組)	BED SHAFT WORM (CPL.)
15	504101	●	●	●	●	●	●	●	●	●	4	下軸ワーム止メネジ	BED SHAFT WORM SET SCREW
16	502888	●	●	●	●	●	●	●	●	●	1	下軸メタル(中)	BED SHAFT BUSHING (CENTER)
17	411002	●	●	●	●	●	●	●	●	●	1	下軸ギア(組)	BED SHAFT GEAR
18	504101	●	●	●	●	●	●	●	●	●	2	下軸ギア止メネジ	BED SHAFT GEAR SET SCREW
19	502703	●	●	●	●	●	●	●	●	●	1	下軸メタル(前)	BED SHAFT BUSHING (FRONT)(CPL.)
20	502515	●	●	●	●	●	●	●	●	●	1	下軸メタル(前)	BED SHAFT BUSHING (FRONT)
21	502516	●	●	●	●	●	●	●	●	●	1	下軸メタル(前)オイルウィック	BED SHAFT BUSHING (FRONT) WICK

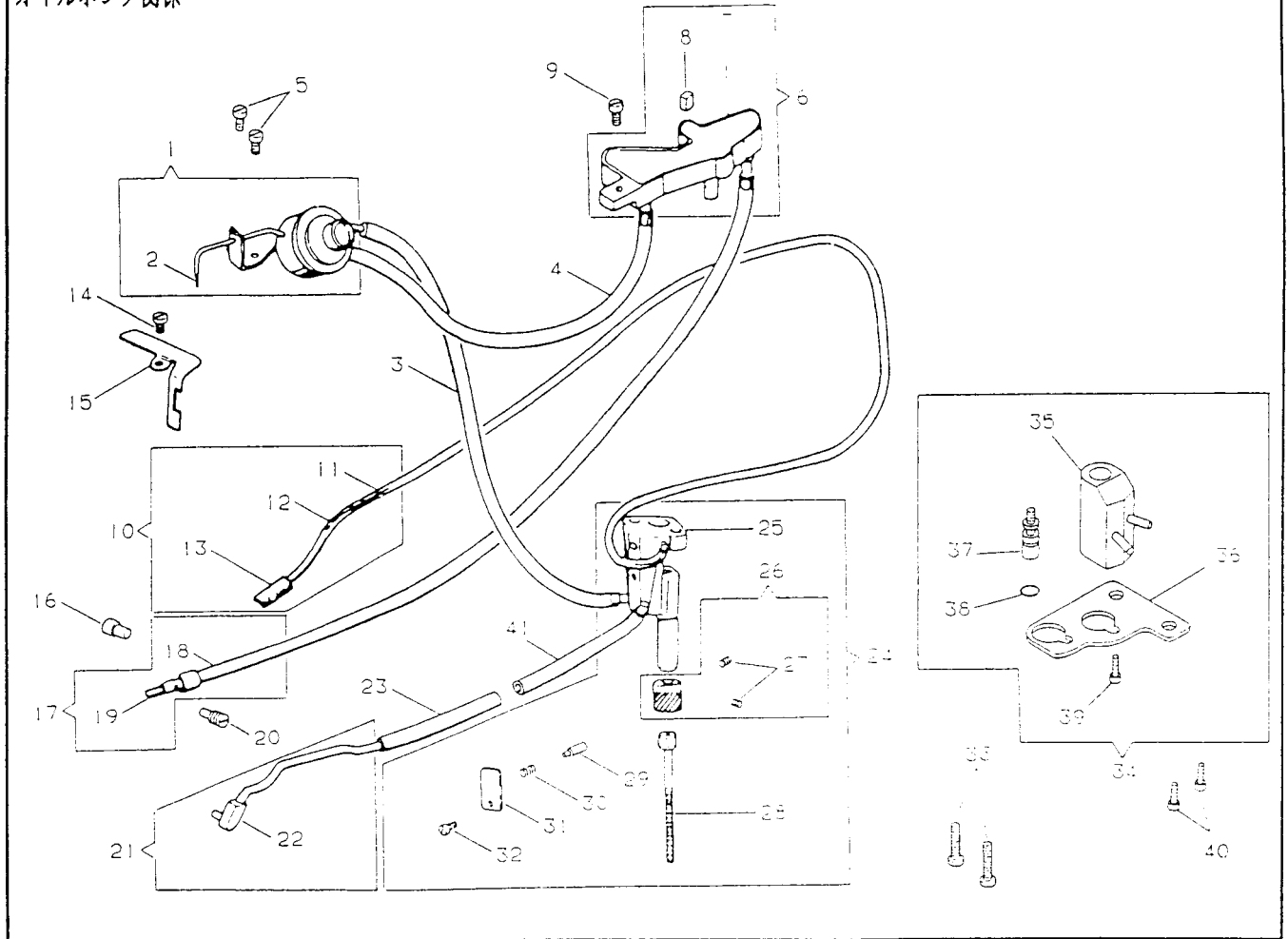
ARM COVER (BACK)

アームカバー(後)関係



NO.	部品番号 PART NO.	A105-L	A105-H	A125-L	A125-H	A135-L	A135-H	A140-H	A143-L	A143-H	数量 QTY.	名称	DESCRIPTION
1	544213-052	●	●	●	●	●	●	●	●	●	8	アームカバー(後)ボルト	ARM COVER (BACK) SCREW
2	282290-451	●	●	●	●	●	●	●	●	●	1	アームカバー(後)ガスケット(組)	ARM COVER (BACK) GASKET (CPL.)
3	282217	●	●	●	●	●	●	●	●	●	1	アームカバー(後)ガスケット	ARM COVER (BACK) GASKET
4	502885	●	●	●	●	●	●	●	●	●	2	ベドプラグ(後)	BED PLUG (REAR)
5	502884	●	●	●	●	●	●	●	●	●	2	ベドプラグ(前・横)	BED PLUG (FRONT)
6	502925	●	●	●	●	●	●	●	●	●	1	ベドプラグボルト	BED PLUG SCREW
7	502832	●	●	●	●	●	●	●	●	●	1	送り調節レバー挿入プラグ	FEED REGULATING SHAFT HOLE PLUG
8	282218	●	●	●	●	●	●	●	●	●	1	フックシャフトギアカバーガスケット	HOOK SHAFT GEAR BOX COVER GASKET
9	502573	●	●	●	●	●	●	●	●	●	1	フックシャフトギアカバー	HOOK SHAFT GEAR BOX COVER
10	544287	●	●	●	●	●	●	●	●	●	4	フックシャフトギアカバーボルト	HOOK SHAFT GEAR BOX COVER SCREW
11	502521	●	●	●	●	●	●	●	●	●	1	下軸ギアカバーガスケット	BED SHAFT GEAR BOX COVER GASKET
12	502881-951	●	●	●	●	●	●	●	●	●	1	下軸ギアカバー(組)	BED SHAFT GEAR BOX COVER (CPL.)
13	502881	●	●	●	●	●	●	●	●	●	1	下軸ギアカバー	BED SHAFT GEAR BOX COVER
14	502543	●	●	●	●	●	●	●	●	●	1	フェルトクランプ	FEED BAR HINGE PIN OILING FELT CLAMP
15	500245-850	●	●	●	●	●	●	●	●	●	1	下軸ギアカバードレーンボルト	BED SHAFT GEAR BOX COVER DRAIN SCREW
16	544287	●	●	●	●	●	●	●	●	●	6	下軸ギアカバーボルト	BED SHAFT GEAR BOX COVER SCREW
17	502593	●	●	●	●	●	●	●	●	●	1	ベド脚	MACHINE LEG
18	500250-850	●	●	●	●	●	●	●	●	●	2	ベド脚ボルト	MACHINE LEG SCREW
19	500104-850	●	●	●	●	●	●	●	●	●	2	オイルシールド変換ボルト	ARM OIL SHIELD RETAINER SCREW
20	502834	●	●	●	●	●	●	●	●	●	1	オイルシールド変換板	ARM OIL SHIELD RETAINER
21	411309	●	●	●	●	●	●	●	●	●	1	オイルシールド変換板	ARM OIL SHIELD RETAINER
22	544213-051	●	●	●	●	●	●	●	●	●	2	オイルガードカバーボルト	OIL GUARD SCREW
23	282227	●	●	●	●	●	●	●	●	●	1	オイルガードカバー	OIL GUARD COVER
24	282228	●	●	●	●	●	●	●	●	●	1	オイルガードカバー	OIL GUARD COVER
25	502890	●	●	●	●	●	●	●	●	●	1	オイルシールド	ARM OIL SHIELD
26	411311	●	●	●	●	●	●	●	●	●	1	オイルシールド	ARM OIL SHIELD
27	544212-003	●	●	●	●	●	●	●	●	●	1	アースボルト	EARTH WIRE SCREW
28	543803-003	●	●	●	●	●	●	●	●	●	1	アースボルト圧入	EARTH WIRE SCREW WASHER

OIL PUMP BODY  
 オイルポンプ関係

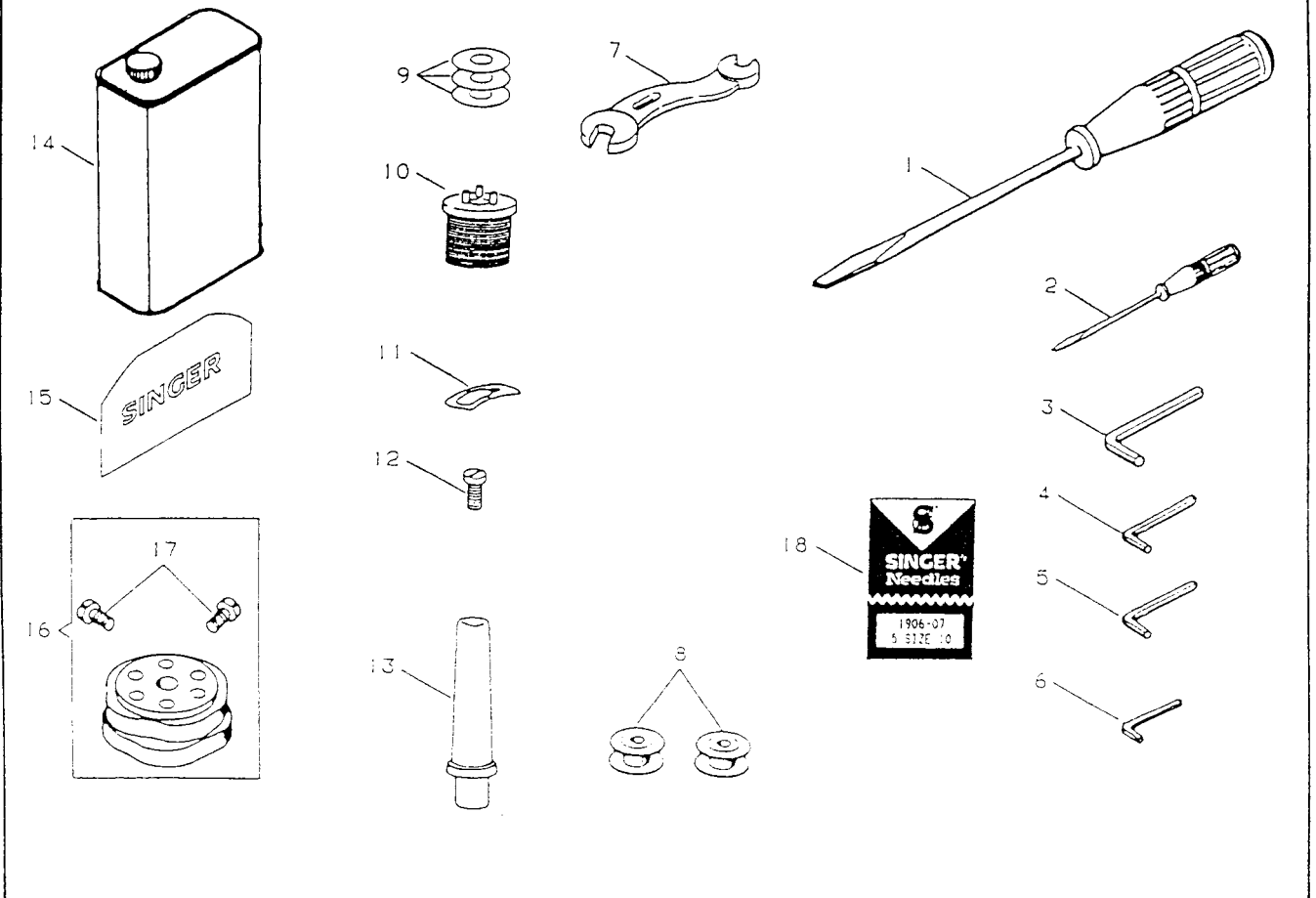


NO.	部品番号 PART NO.	A105-L	A105-M	A125-L	A125-M	A135-L	A135-M	A140-M	A143-L	A143-M	数量 QTY.	名称	DESCRIPTION
1	502650-002	●	●	●	●	●	●	●	●	●	1	オイルゲージ	OIL SIGHT BODY
2	502651	●	●	●	●	●	●	●	●	●	1	オイルゲージウイック	OIL SIGHT WICK
3	502635-002	●	●	●	●	●	●	●	●	●	1	オイルデリバリーチューブ	OIL DELIVERY TUBE
4	502647-002	●	●	●	●	●	●	●	●	●	1	リターンチューブ(短)	OIL RETURN TUBE UPPER (SHORT)
5	201-850	●	●	●	●	●	●	●	●	●	2	オイルゲージ戻メネジ	OIL SIGHT BODY SCREW
6	508943	●	●	●	●	●	●	●	●	●	1	デストリビューター(組)	OIL DISTRIBUTOR (CPL.)
7	508514	●	●	●	●	●	●	●	●	●	1	デストリビューター	OIL DISTRIBUTOR PLATE
8	508878	●	●	●	●	●	●	●	●	●	1	デストリビューターフォームパッド	OIL DISTRIBUTOR PLATE FOAM PAD
9	500115-850	●	●	●	●	●	●	●	●	●	1	デストリビューター網メネジ	OIL DISTRIBUTOR PLATE SCREW
10	411212	●	●	●	●	●	●	●	●	●	1	オイル選流ポンプチューブ、スクリーン(組)	OIL REMOVING TUBE, OIL REMOVING LINT SCREEN (CPL.)
11	411213	●	●	●	●	●	●	●	●	●	1	オイル選流ポンプチューブ(組)	OIL REMOVING TUBE (CPL.)
12	411217	●	●	●	●	●	●	●	●	●	1	オイル選流ポンプチューブワイヤー	OIL REMOVING TUBE WIRE
13	16380	●	●	●	●	●	●	●	●	●	1	オイル選流ポンプチューブスクリーン	OIL REMOVING LINT SCREEN
14	504145-452	●	●	●	●	●	●	●	●	●	1	ドレーンウイック戻り止めメネジ	HEAD END OIL DRAIN WICK CLAMP SCREW
15	502505	●	●	●	●	●	●	●	●	●	1	ドレーンウイック支え(前)	ARM HEAD OIL DRAIN WICK CLAMP (FRONT)
16	502752	●	●	●	●	●	●	●	●	●	1	下軸メタル油穴止め栓	BED SHAFT BUSHING OIL HOLE PLUG
17	411389	●	●	●	●	●	●	●	●	●	1	リターンチューブ(長)(組)	OIL RETURN TUBE LOWER (LONG) (CPL.)
18	502648-002	●	●	●	●	●	●	●	●	●	1	リターンチューブ(長)	OIL RETURN TUBE LOWER (LONG)
19	411390	●	●	●	●	●	●	●	●	●	1	リターンチューブパイプ	OIL RETURN TUBE
20	998-833	●	●	●	●	●	●	●	●	●	1	リターンチューブ止めメネジ	OIL RETURN TUBE SCREW
21	502575	●	●	●	●	●	●	●	●	●	1	フックシャフトギアボックスオイルパイプ(組)	HOOK SHAFT GEAR BOX OIL PIPE (CPL.)
22	117592	●	●	●	●	●	●	●	●	●	1	フックシャフトギアボックスオイルパイプコネクタ	HOOK SHAFT GEAR BOX OIL PIPE CONNECTOR
23	282226	●	●	●	●	●	●	●	●	●	1	フックシャフトボックスオイルチューブ	HOOK SHAFT GEAR BOX OIL PIPE TUBE
24	411207	●	●	●	●	●	●	●	●	●	1	オイルポンプ(組)	OIL PUMP BODY (ASS'Y)
25	411208	●	●	●	●	●	●	●	●	●	1	オイルポンプ(体)	OIL PUMP BODY
26	411147	●	●	●	●	●	●	●	●	●	1	オイルポンプギア(組)	OIL PUMP GEAR (CPL.)
27	504007	●	●	●	●	●	●	●	●	●	2	オイルポンプギア止めメネジ	OIL PUMP GEAR SET SCREW
28	411210	●	●	●	●	●	●	●	●	●	1	オイルポンプスクロウシャフト	OIL PUMP SCREW SHAFT
29	540556	●	●	●	●	●	●	●	●	●	1	オイル選流ポンプピストン	OIL REMOVING PUMP PISTON
30	417875	●	●	●	●	●	●	●	●	●	1	オイル選流ポンプピストンバネ	OIL REMOVING PUMP PISTON SPRING
31	411211	●	●	●	●	●	●	●	●	●	1	オイル選流ポンプピストンバネ取付工	OIL REMOVING PUMP PISTON SPRING BRACKET
32	504010-451	●	●	●	●	●	●	●	●	●	1	オイル選流ポンプピストンバネ取付工メネジ	OIL REMOVING PUMP PISTON SPRING BRACKET SCREW
33	544285	●	●	●	●	●	●	●	●	●	2	オイルポンプ止めメネジ	OIL PUMP MOUNTING SCREW
34	282219	●	●	●	●	●	●	●	●	●	1	カム油調整バルブ、ブラケット(組)(シングル)	HOOK OIL FLOW REGULATING VALVE, BRACKET (CPL.) (SINGLE)
35	282221	●	●	●	●	●	●	●	●	●	1	カム油調整バルブ、パイプ(組)	HOOK OIL FLOW REGULATING VALVE, PIPE (CPL.)
36	282220	●	●	●	●	●	●	●	●	●	1	カム油調整バルブブラケット	HOOK OIL FLOW REGULATING VALVE BRACKET
37	282223	●	●	●	●	●	●	●	●	●	1	カム油調整バルブ	HOOK OIL FLOW REGULATING VALVE
38	543871-003	●	●	●	●	●	●	●	●	●	1	カム油調整バルブOリング	HOOK OIL FLOW REGULATING VALVE O-RING
39	544212-052	●	●	●	●	●	●	●	●	●	1	カム油調整バルブ止めメネジ	HOOK OIL FLOW REGULATING VALVE SCREW
40	544449	●	●	●	●	●	●	●	●	●	2	カム油調整バルブブラケット止めメネジ	HOOK OIL FLOW REGULATING VALVE BRACKET SCREW
41	282249	●	●	●	●	●	●	●	●	●	1	オイルチューブ(油流調整バルブ用)	OIL TUBE (FOR OIL REGULATING VALVE) (CPL.)



ACCESSORIES

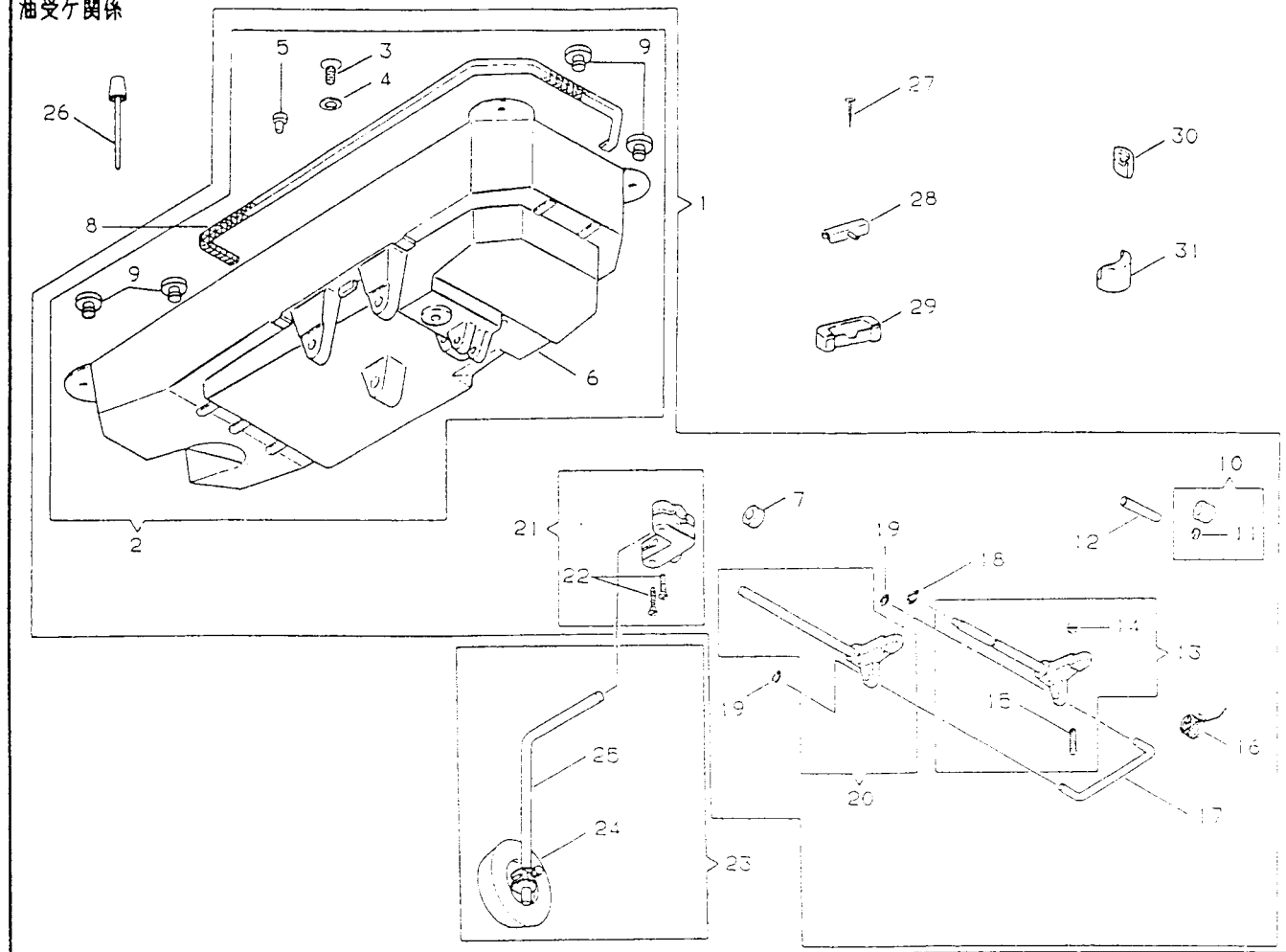
補用品



NO.	部品番号 PART NO.	機種						数量 QTY.	名称	DESCRIPTION
		A105-L	A105-H	A125-L	A125-H	A135-L	A135-H			
1	411116	•	•	•	•	•	•	1	ドライバー(大)	SCREW DRIVER (LARGE)
2	541514	•	•	•	•	•	•	1	ドライバー(小)	SCREW DRIVER (SMALL)
3	411312	•	•	•	•	•	•	1	六角レンチ(4 mm)	HEXAGON WRENCH (4 mm)
4	144465	•	•	•	•	•	•	1	六角レンチ(1/8")	HEXAGON WRENCH (1/8 INCH)
5	533729	•	•	•	•	•	•	1	六角レンチ(3 mm)	HEXAGON WRENCH (3 mm)
6	543066	•	•	•	•	•	•	1	六角レンチ(2 mm)	HEXAGON WRENCH (2 mm)
7	548709	•	•	•	•	•	•	1	レンチ(8mm/10mm)	WRENCH (8mm/10mm)
8	233028-452	•	•	•	•	•	•	2	ボビン	BOBBIN
9	417982	•	•	•	•	•	•	3	空転防止スペーサー	ANTISPILAGE SPACER
10	411110	•	•	•	•	•	•	1	オイルフィルター(蓋)	OIL FILTER WITH OIL FILTER MOUNTING SUPPORT
11	509004	•	•	•	•	•	•	1	ボビンフリクションスプリング	BOBBIN CASE ANTISPILAGE SPRING
12	545082-452	•	•	•	•	•	•	1	アタッチメントネジ	ATTACHMENT SCREW
13	410186	•	•	•	•	•	•	1	レストピン	REST PIN
14	411313	•	•	•	•	•	•	1	レストピン	REST PIN
15	410154-451	•	•	•	•	•	•	1	油缶(SINGER "C" タイプ 750cc)	OIL CAN W/OIL (SINGER TYPE "C" OIL)
16	414407	•	•	•	•	•	•	1	ミシンカバー(輸出用)	MACHINE COVER (EXP.)
17	411196	•	•	•	•	•	•	1	フー・ドカム(蓋)	FEED CONTROL CAM (CPL.)
18	545136-452	•	•	•	•	•	•	2	フー・ドカム止めネジ	FEED CONTROL CAM SET SCREW
	N1906MB10	•	•	•	•	•	•	1	針袋(1906-07-10 5本)(国内用)	NEEDLE BAG (1906-07-10 5PCS.)(DOM.)
	N1906MB10	•	•	•	•	•	•	1	針袋(1906-07-10 5本)(輸出用)	NEEDLE BAG (1906-07-10 5PCS.)(EXP.)
	N1906ST12	•	•	•	•	•	•	1	針袋(1906-01-12 5本)(輸出用)	NEEDLE BAG (1906-01-12 5PCS.)(EXP.)
	N8752LB10	•	•	•	•	•	•	1	針袋(8752-64-10 5本)(国内用)	NEEDLE BAG (8752-64-10 5PCS.)(DOM.)
	N8752LB12	•	•	•	•	•	•	1	針袋(8752-64-12 5本)(輸出用)	NEEDLE BAG (8752-64-12 5PCS.)(EXP.)

# OIL RESERVOIR AND KNEE LIFTER

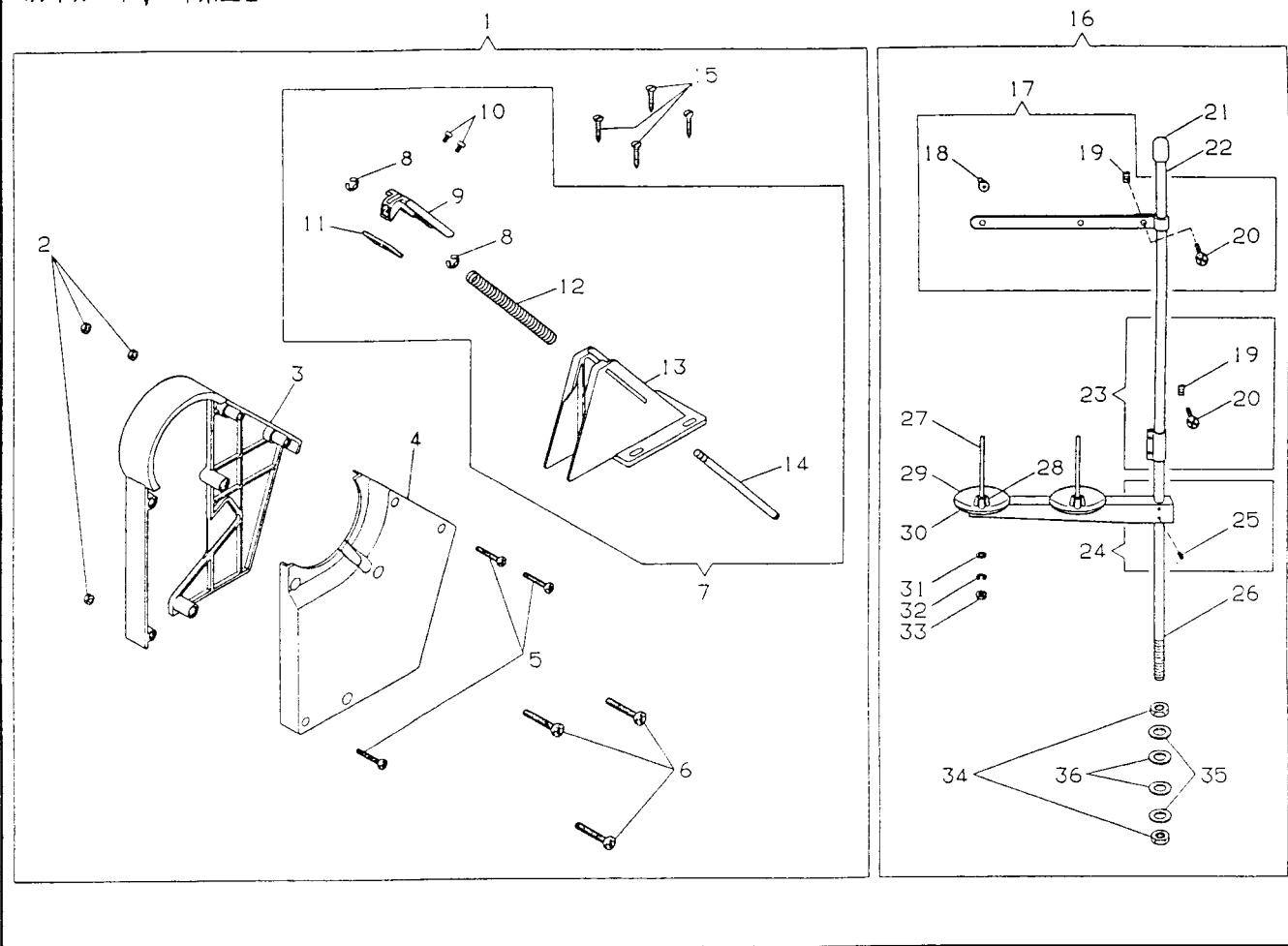
油受け関係



NO.	部品番号 PART NO.	A105-L A105-H A120-L A120-H A135-L A135-H A140-H A143-L A143-H						数量 QTY	名称	DESCRIPTION			
1	282229	●	●	●	●	●	●	●	●	●	1	油受け(組立)	OIL RESERVOIR AND KNEE LIFTER (ASS'Y)
2	282230	●	●	●	●	●	●	●	●	●	1	油受け(組)	OIL RESERVOIR (CPL.)
3	545036-819	●	●	●	●	●	●	●	●	●	1	油受けドレーンネジ	OIL RESERVOIR DRAIN PLUG SCREW
4	545754	●	●	●	●	●	●	●	●	●	1	油受けドレーンネジガスケット	OIL RESERVOIR DRAIN PLUG SCREW GASKET
5	502987	●	●	●	●	●	●	●	●	●	1	プランジャー穴止メ栓	FEED REVERSING PLUNGER HOLE PLUG
6	411137	●	●	●	●	●	●	●	●	●	1	油受け	OIL RESERVOIR
7	411128	●	●	●	●	●	●	●	●	●	1	ヒザ上げ軸スペーサー	KNEE LIFTER ROCK SHAFT
8	411173	●	●	●	●	●	●	●	●	●	1	油受けクッション	OIL RESERVOIR CUSHION
9	368377	●	●	●	●	●	●	●	●	●	4	マシン受けクッション	MACHINE BASE CUSHION
10	411114	●	●	●	●	●	●	●	●	●	1	ヒザ上げレバーピンカラー(組)	FOOT CONTROL REVERSE FEED PIN COLLAR (CPL.)
11	504048	●	●	●	●	●	●	●	●	●	1	ヒザ上げレバーピンカラー止メネジ	FOOT CONTROL REVERSE FEED PIN COLLAR SET SCREW
12	502937	●	●	●	●	●	●	●	●	●	1	ヒザ上げレバーピン	FOOT CONTROL REVERSE FEED LEVER PIN
13	502996	●	●	●	●	●	●	●	●	●	1	ヒザ上げ調節軸(組)	KNEE LIFTER CONTROL SHAFT (CPL.)
14	500785-850	●	●	●	●	●	●	●	●	●	1	ヒザ上げ軸制御ネジロックナット	KNEE LIFTER CONTROL SHAFT CRANK STOP SCREW NUT
15	500271-833	●	●	●	●	●	●	●	●	●	1	ヒザ上げ軸制御ネジ	KNEE LIFTER CONTROL SHAFT CRANK STOP SCREW
16	87018	●	●	●	●	●	●	●	●	●	1	ヒザ上げバネ	KNEE LIFTER RETURNING SPRING
17	508501	●	●	●	●	●	●	●	●	●	1	ヒザ上げ軸連接	KNEE LIFTER ROCK SHAFT CONNECTION
18	503000	●	●	●	●	●	●	●	●	●	1	ヒザ上げ調節リング	KNEE LIFTER CONTROL SHAFT CRIP RING
19	508502	●	●	●	●	●	●	●	●	●	2	ヒザ上げ軸連接リング	KNEE LIFTER ROCK SHAFT CONNECTION CRIP RING
20	502999	●	●	●	●	●	●	●	●	●	1	ヒザ上げ軸(組)	KNEE LIFTER ROCK SHAFT (CPL.)
21	502720	●	●	●	●	●	●	●	●	●	1	ヒザ当て軸端(組)	KNEE LIFTER ROCK SHAFT HUB (CPL.)
22	500332-850	●	●	●	●	●	●	●	●	●	2	ヒザ当て軸端用メネジ	KNEE LIFTER ROCK SHAFT HUB PINCH SCREW
23	502583-945	●	●	●	●	●	●	●	●	●	1	ヒザ当て軸(組)	KNEE LIFTER KNEE PLATE ARM (CPL.)
24	416725	●	●	●	●	●	●	●	●	●	1	ヒザ当て軸(組)	KNEE LIFTER KNEE PLATE ARM (CPL.)
25	502583	●	●	●	●	●	●	●	●	●	1	ヒザ当て軸	KNEE LIFTER KNEE PLATE ARM
26	502587-002	●	●	●	●	●	●	●	●	●	1	プランジャー(組)	KNEE LIFTER PLUNGER
27	546920-001	●	●	●	●	●	●	●	●	●	6	マシンヒンジ釘	MACHINE HINGE CONN. CUSHION WIRE NAIL
28	540522	●	●	●	●	●	●	●	●	●	2	マシンヒンジ	MACHINE HINGE CONN.
29	368381	●	●	●	●	●	●	●	●	●	2	マシンヒンジ墊	MACHINE HINGE CONN. CUSHION
30	368380	●	●	●	●	●	●	●	●	●	2	油受けクッション(後)	MACHINE BASE & OIL RESERVOIR CUSHION (BACK)
31	368379	●	●	●	●	●	●	●	●	●	2	油受けクッション(前)	MACHINE BASE & OIL RESERVOIR CUSHION (FRONT)

# BELT GUARD, THREAD UNWINDER (2-SPCOL)

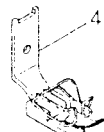
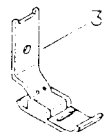
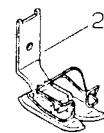
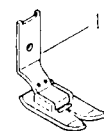
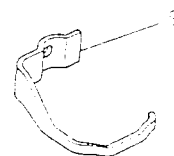
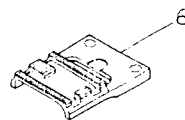
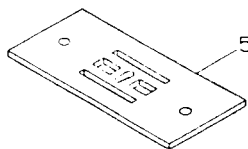
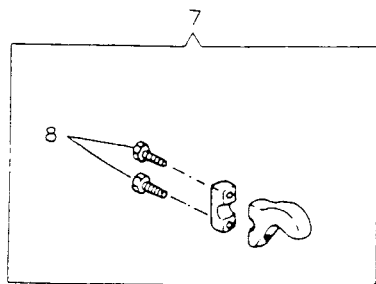
ベルトガード、二本糸立台



NO.	部品番号 PART NO.	A105-L	A105-M	A125-L	A125-M	A135-L	A135-M	A140-H	A143-L	A143-M	数量 QTY.	名称	DESCRIPTION
1	282231-451	●	●	●	●	●	●	●	●	●	1	ベルトガード(組)	BELT GUARD (CPL.)
2	541165-001	●	●	●	●	●	●	●	●	●	3	ベルトガード固定ネジナット(M4)	BELT GUARD SCREW NUT (M4)
3	282232-451	●	●	●	●	●	●	●	●	●	1	ベルトガード(左)	BELT GUARD (LEFT)
4	282233-451	●	●	●	●	●	●	●	●	●	1	ベルトガード(右)	BELT GUARD (RIGHT)
5	544212-007	●	●	●	●	●	●	●	●	●	3	ベルトガード固定ネジ(M4)	BELT GUARD SCREW (M4)
6	544213-058	●	●	●	●	●	●	●	●	●	3	ベルトガード止メネジ(M5)	BELT GUARD SCREW (M5)
7	550165-451	●	●	●	●	●	●	●	●	●	1	ベルトガードスライドシャフト止メ輪	BELT GUARD (BACK) (CPL.)
8	408913	●	●	●	●	●	●	●	●	●	2	ベルトガードスライドシャフト止メ輪	BELT GUARD SLIDE SHAFT SNAP RING
9	550167-451	●	●	●	●	●	●	●	●	●	1	ベルトガードスライド	BELT GUARD SLIDE
10	544211-053	●	●	●	●	●	●	●	●	●	2	ベルトガードスライド止メネジ	BELT GUARD SLIDE SCREW
11	550168	●	●	●	●	●	●	●	●	●	1	ベルトガードスライド固定プレート	BELT GUARD SLIDE STOPPER PLATE
12	368279	●	●	●	●	●	●	●	●	●	1	ベルトガードスライドバネ	BELT GUARD SLIDE SPRING
13	550166-451	●	●	●	●	●	●	●	●	●	1	ベルトガード(後)	BELT GUARD (BACK)
14	550169	●	●	●	●	●	●	●	●	●	1	ベルトガードスライドシャフト	BELT GUARD SLIDE SHAFT
15	549398	●	●	●	●	●	●	●	●	●	4	ベルトガード(後)木ネジ	BELT GUARD (BACK) WOOD SCREW
16	376392-453	●	●	●	●	●	●	●	●	●	1	二本糸立台(組)	THREAD UNWINDER (2-SPOOL) (CPL.)
17	376393-453	●	●	●	●	●	●	●	●	●	1	糸立糸案内糸道	THREAD UNWINDER THREAD GUIDE (CPL.)
18	411143	●	●	●	●	●	●	●	●	●	2	糸立糸案内糸道	THREAD UNWINDER THREAD GUIDE EYELET
19	541183	●	●	●	●	●	●	●	●	●	3	糸立取付軸継手跡メネジナット	THREAD UNWINDER ROD CONNECTION SCREW NUT
20	544213-023	●	●	●	●	●	●	●	●	●	3	糸立取付軸継手跡メネジ	THREAD UNWINDER ROD CONNECTION SCREW
21	411133	●	●	●	●	●	●	●	●	●	1	糸立取付軸キャップ	THREAD UNWINDER ROD CAP
22	411127-453	●	●	●	●	●	●	●	●	●	1	糸立取付軸(上)	THREAD UNWINDER ROD
23	411129-453	●	●	●	●	●	●	●	●	●	1	糸立取付軸継手(組)	THREAD UNWINDER ROD CONNECTION (CPL.)
24	411135-453	●	●	●	●	●	●	●	●	●	1	糸立腕(組)	THREAD UNWINDER SPOOL CARRIER ARM (CPL.)
25	504029	●	●	●	●	●	●	●	●	●	2	糸立腕止メネジ	THREAD UNWINDER SPOOL CARRIER ARM SCREW
26	414488-453	●	●	●	●	●	●	●	●	●	1	糸立取付軸(ネジ付)	THREAD UNWINDER
27	411134	●	●	●	●	●	●	●	●	●	2	スプールピン	THREAD UNWINDER SPOOL
28	546893	●	●	●	●	●	●	●	●	●	2	スプールホルダー	THREAD UNWINDER SPOOL HOLDER
29	411139	●	●	●	●	●	●	●	●	●	2	糸立腕クッション	THREAD UNWINDER SPOOL CARRIER ARM PLATE CUSHION
30	411138-453	●	●	●	●	●	●	●	●	●	2	糸立腕	THREAD UNWINDER SPOOL CARRIER ARM PLATE
31	543803-004	●	●	●	●	●	●	●	●	●	2	スプールピンロックナット座金	THREAD UNWINDER SPOOL LOCK NUT WASHER
32	543805-004	●	●	●	●	●	●	●	●	●	2	スプールピンロックナットバネ座金	THREAD UNWINDER SPOOL LOCK NUT SPRING WASHER
33	541166-004	●	●	●	●	●	●	●	●	●	2	スプールピンロックナット	THREAD UNWINDER SPOOL LOCK NUT
34	414486	●	●	●	●	●	●	●	●	●	2	糸立取付軸ロックナット	THREAD UNWINDER ROD LOCK NUT
35	414487	●	●	●	●	●	●	●	●	●	2	糸立取付軸座金	THREAD UNWINDER ROD WASHER
36	368480	●	●	●	●	●	●	●	●	●	2	糸立台筋蓋ゴム	THREAD UNWINDER ROD RUBBER CUSHION

OPTION 1

別売品 1



NO.	部品番号 PART NO.									数量 QTY.	名称	DESCRIPTION
		A105-L	A105-H	A125-L	A125-H	A135-L	A135-H	A140-L	A143-L			
1	503689	•	•	-	-	-	-	-	-	1	押工	PRESSER FOOT
2	503822	•	•	-	-	•	•	•	•	1	押工	PRESSER FOOT
3	503660	-	-	-	-	•	•	•	•	1	押工	PRESSER FOOT
4	503809	-	-	•	•	-	-	-	-	1	押工	PRESSER FOOT
5	517659	-	-	•	•	-	-	-	-	1	針板	THROAT PLATE
6	517649	-	-	•	•	-	-	-	-	1	送り歯	FEED DOG
7	411243	-	-	•	•	-	-	•	•	1	リバースブロック(組)	FOOT CONTROL REVERSE FEED BLOCK (CPL.)
8	549163	•	•	•	•	•	•	-	-	2	リバースブロック固定メネジ	FOOT CONTROL REVERSE FEED BLOCK SCREW
9	282116	•	•	•	•	•	•	•	•	1	フィンガーガード	FINGER GUARD

OPTION 2  
別売品 2

457A143 オプションカム一覧表  
457A143 OPTICAL CAMS

PART NO	名称	DESCRIPTION	縫い模様 STITCH PATTERN	最大模様幅 A MAX. PATTERN WIDTH A	最大振り幅 B MAX. STITCH WIDTH B
411358	ラフスカラップ (12針)	ROUGH SCALLOP CAM (12 STITCHES)		8.0 mm	2.4 mm
411360	三日月型スカラップ (24針)	CRESCENT SCALLOP CAM (24 STITCHES)		8.0 mm	3.6 mm
411362	3ステップジグザグ	3 STEP ZIGZAG CAM		8.0 mm	—
411364	ブラインドステッチ (6針)	BLIND STITCH CAM (6 STITCHES)		5.0 mm	—
411394	プレーンジグザグ	PLAIN ZIGZAG CAM		5.0 mm	—
411396	ブラインドステッチ (4針)	BLIND STITCH CAM (4 STITCHES)		5.0 mm	—
411462	2ステップジグザグ	2 STEP ZIGZAG CAM		8.0 mm	—
411464	等幅スカラップ (24針)	EVEN WIDTH SCALLOP CAM (24 STITCHES)		8.0 mm	3.4 mm
411480	ブラインドステッチ (8針)	BLIND STITCH CAM (8 STITCHES)		5.0 mm	—
411482	ブラインドステッチ (12針)	BLIND STITCH CAM (12 STITCHES)		5.0 mm	—

\*上記オプションカムを標準カム( #411295 24針等幅スカラップ/最大模様幅 8mm/最大振り幅 2.6mm)と交換する事により縫い模様の変更ができます。

\*THE ABOVE OPTIONAL CAMS ARE INTERCHANGEABLE WITH THE 24 STITCH EVEN SCALLOP STITCH STANDARD CAM P/N 411295 (MAX. PATTERN WIDTH 8.0mm/MAX. STITCH WIDTH 2.6mm) FITTED IN THE MACHINE.