

**SINGER**  
457U405,U425,U435

ILLUSTRATED

PARTS LIST

FOR

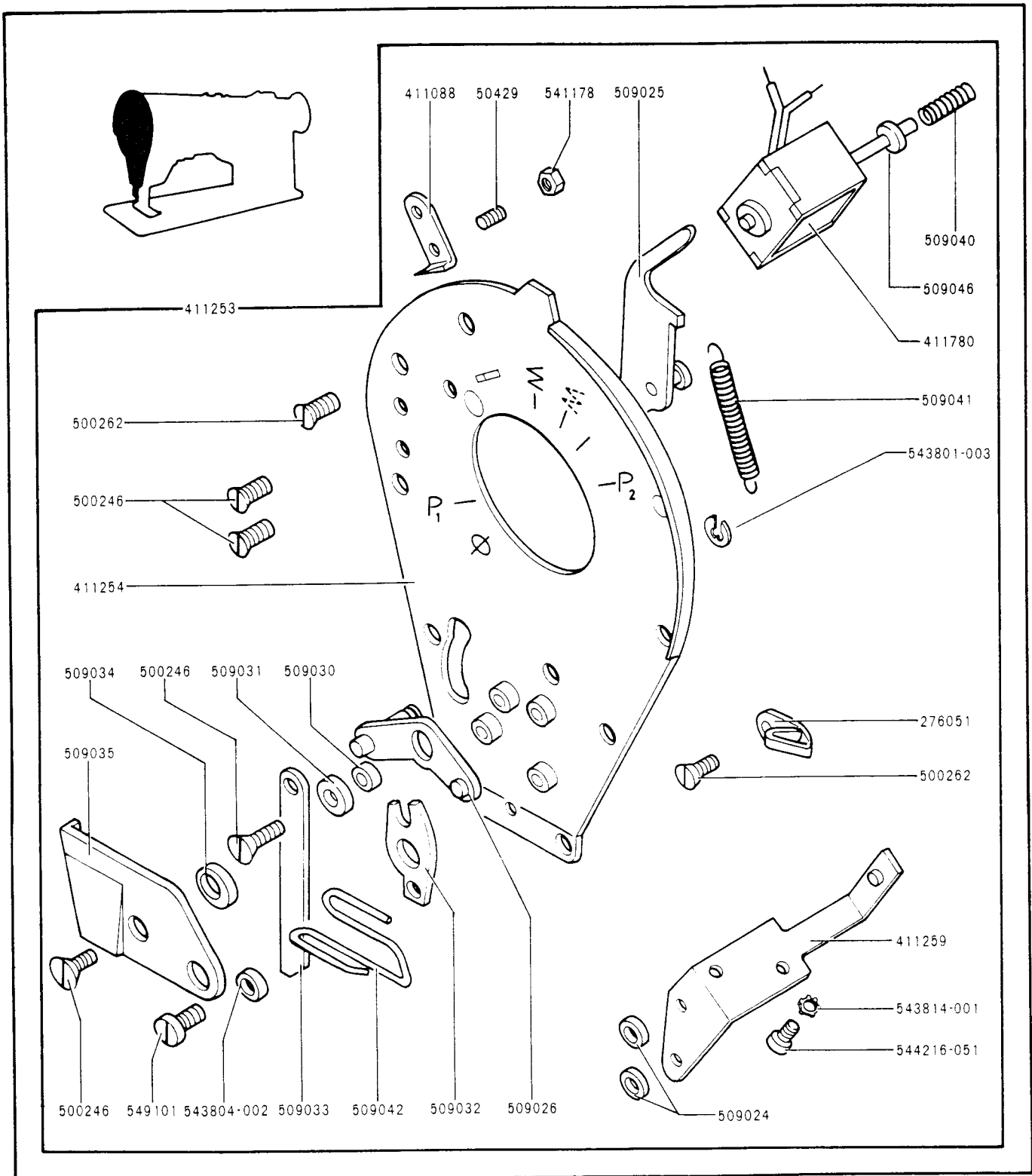
**SINGER\***

MACHINE

457U405

457U425

457U435

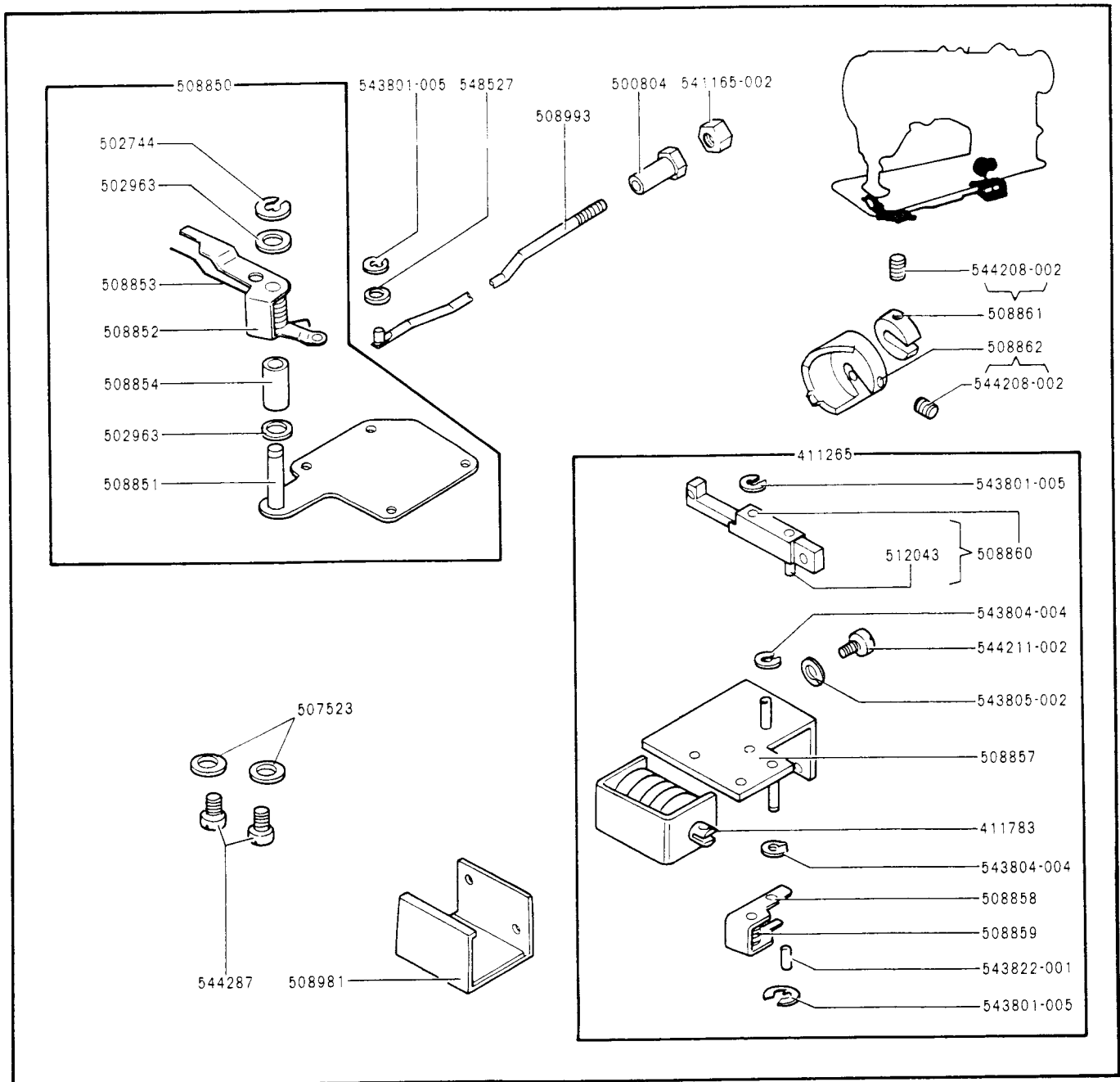


50429-833 THREAD CUTTER (ON FACE PLATE) ADJUSTING SCREW  
 276051 THREAD CUTTER THREAD GUIDE (ON FACE PLATE)  
 411088 THREAD CUTTER (ON FACE PLATE)  
 411253 FACE PLATE CPL. 504019, 276051, 411088, 411254,  
 411259, 411780, 509025, 509026, 509030 TO 509035,  
 509040 TO 509042, 509046, 541178, 543801-003,  
 543804-002, 549101 TWO ESCH 500262, 504024,  
 543814-001, 544216-051 AND FOUR 500246  
 411254 FACE PLATE  
 411259 FACE PLATE SOLENOID BRACKET  
 411780 FACE PLATE SOLENOID  
 500246-850 FACE PLATE SCREW  
 500246-850 FACE PLATE COVER PLATE SCREW  
 500246-850 FACE PLATE SOLENOID BRACKET SCREW (2)  
 500262-833 THREAD CUTTER THREAD GUIDE (ON FACE PLATE) SCREW  
 500262-833 TEREAD CUTTER SCREW

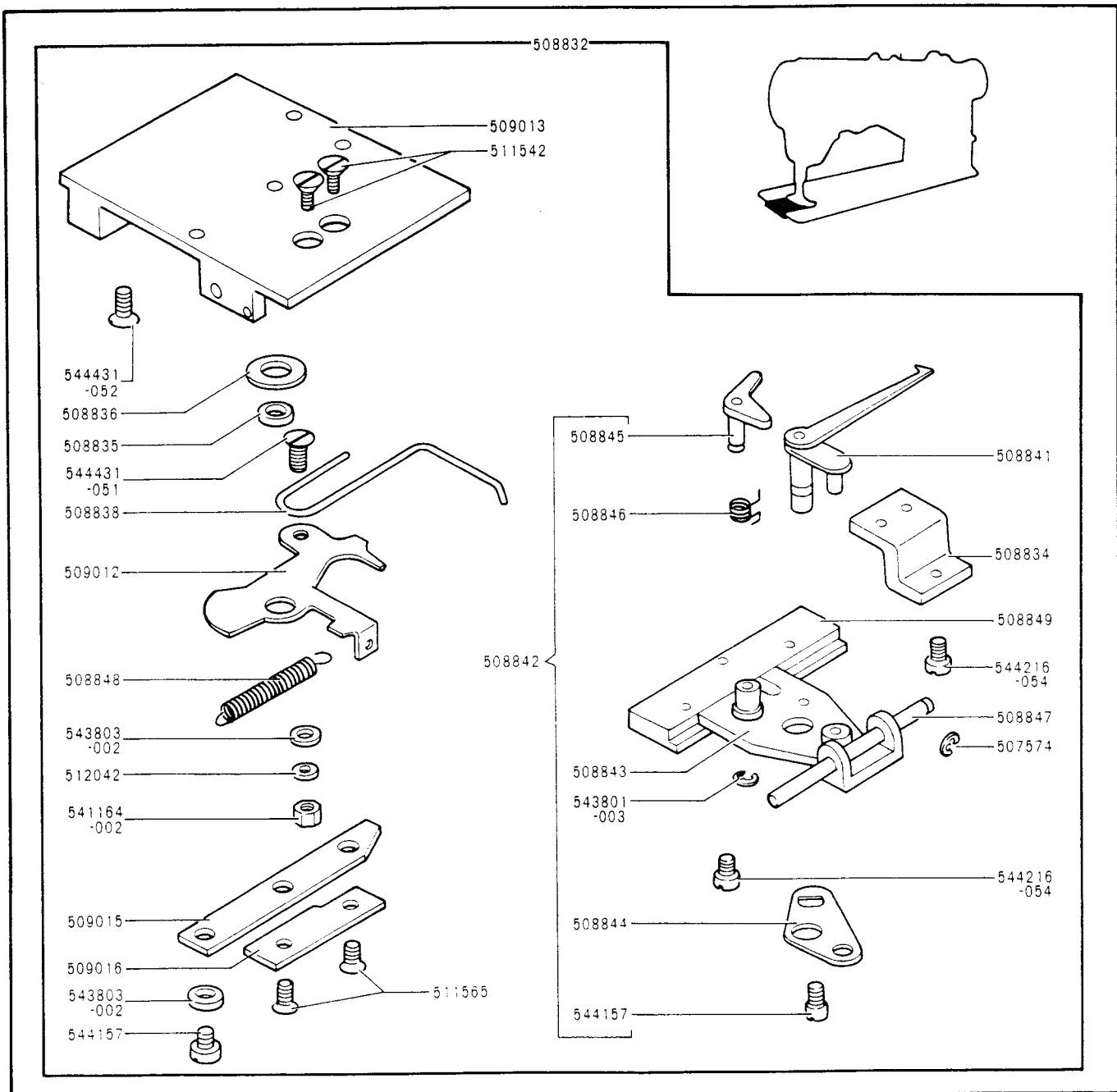
509024 FACE PLATE SOLENOID BRACKET WASHER (2)  
 509025 FACE PLATE TRIP PAWL  
 509026 FACE PLATE LEVER  
 509030 FACE PLATE WASHER  
 509031 FACE PLATE WASHER  
 509032 FACE PLATE LEVER  
 509033 FACE PLATE CONNECTION LINK  
 509034 FACE PLATE ECCENTRIC DISC  
 509035 FACE PLATE COVER PLATE  
 509040 FACE PLATE PRESSURE SPRING (COIL)  
 509041 FACE PLATE RETURN SPRING (COIL)  
 509042 FACE PLATE THREAD PULLER  
 509046 FACE PLATE STUD  
 543801-003 FACE PLATE TRIP PAWL SAFETY WASHER  
 543804-002 FACE PLATE THREAD PULLER WASHER  
 543814-001 FACE PLATE SOLENOID THRUST WASHER (2)

PART NO. DESCRIPTION

PART NO. DESCRIPTION

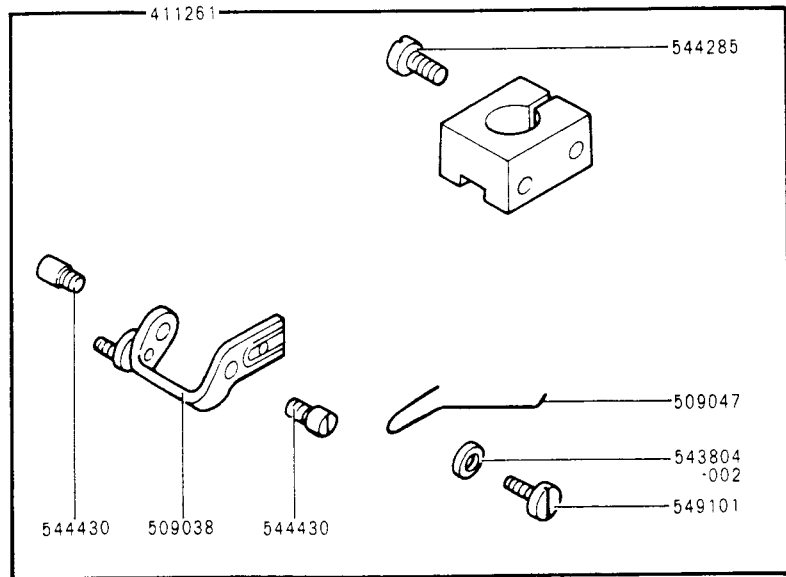
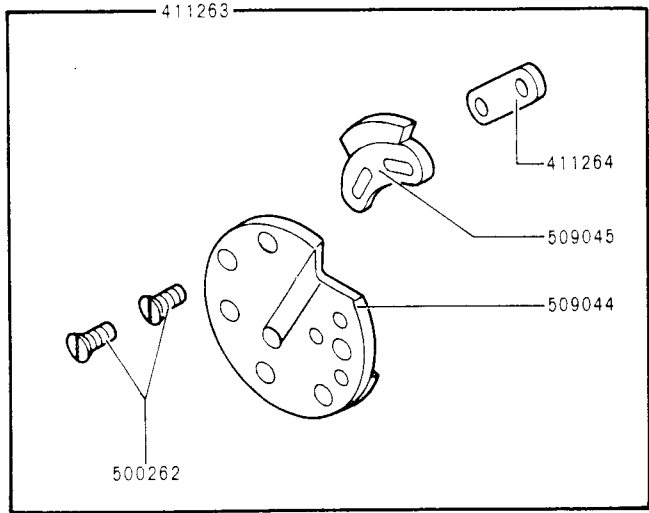
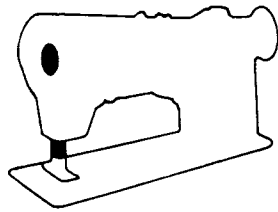


411265	THREAD PULLER RELEASING SOLENOID MOUNTING BRACKET CPL. NOS. 411783, 508857 TO 508860, 543822-001, TWO EACH 543801-005, 543804-004, 543805-002 AND 544211-002	508862	THREAD TRIMMER CONTROL CAM WITH TWO 544208-002
411783	THREAD PULLER RELEASING SOLENOID	508981	THREAD PULLER RELEASING SOLENOID COVER
500804	THREAD PULLER CONNECTING ROD ADJUSTING SCREW	508993	THREAD PULLER CONNECTING ROD
502744	THREAD PULLER RETURN LEVER RETAINING RING	512043	THREAD TRIMMER CONTROL CAM FOLLOWER PIN
502963	THREAD PULLER RETURN LEVER WASHER (2)	543801-005	THREAD PULLER CONNECTING ROD RETAINING RING
507523	THREAD PULLER RELEASING SOLENOID MOUNTING BRACKET SCREW WASHER(2)	543801-005	THREAD TRIMMER CONTROL CAM FOLLOWER RETAINING RING
508850	THREAD PULLER ACTUATING MECHANISM WITH 502744, 508851, 508852, 508853, 508854 AND TWO 502963	543804-004	THREAD TRIMMER CONTROL CAM FOLLOWER RETAINING PAWL RETAINING RING
508851	HOOK SHAFT GEAR BOX COVER	543804-004	THREAD TRIMMER CONTROL CAM FOLLOWER SPACER
508852	THREAD PULLER RETURN LEVER	543804-004	THREAD TRIMMER CONTROL CAM FOLLOWER RETAINING PAWL WASHER
508853	THREAD PULLER ACTUATING SPRING	543822-001	THREAD TRIMMER CONTROL CAM FOLLOWER RETAINING PAWL ROLL PIN
508854	THREAD PULLER RETURN LEVER BUSHING	543805-002	THREAD PULLER RELEASING SOLENOID MOUNTING SCREW
508857	THREAD PULLER RELEASING SOLENOID MOUNTING BRACKET	544211-002	LOCK WASHER (2)
508858	THREAD TRIMMER CONTROL CAM FOLLOWER RETAINING PAWL	541165-002	THREAD PULLER CONNECTING ROD ADJUSTING SCREW LOCK NUT
508859	THREAD TRIMMER CONTROL CAM FOLLOWER RETAINING PAWL RETURN SPRING	544208-002	THREAD TRIMMER CONTROL CAM POSITIONING COLLAR SET SCREW (2)
508860	THREAD TRIMMER CONTROL CAM FOLLOWER WITH 512043	544208-002	THREAD TRIMMER CONTROL CAM SET SCREW (2)
508861	THREAD TRIMMER CONTROL CAM POSITIONING COLLAR WITH TWO 544208-002	544211-002	THREAD PULLER RELEASING SOLENOID MOUNTING SCREW (2)
		544287	THREAD PULLER RELEASING SOLENOID MOUNTING BRACKET SCREW
		548527	THREAD PULLER CONNECTING ROD RETAINING RING WASHER



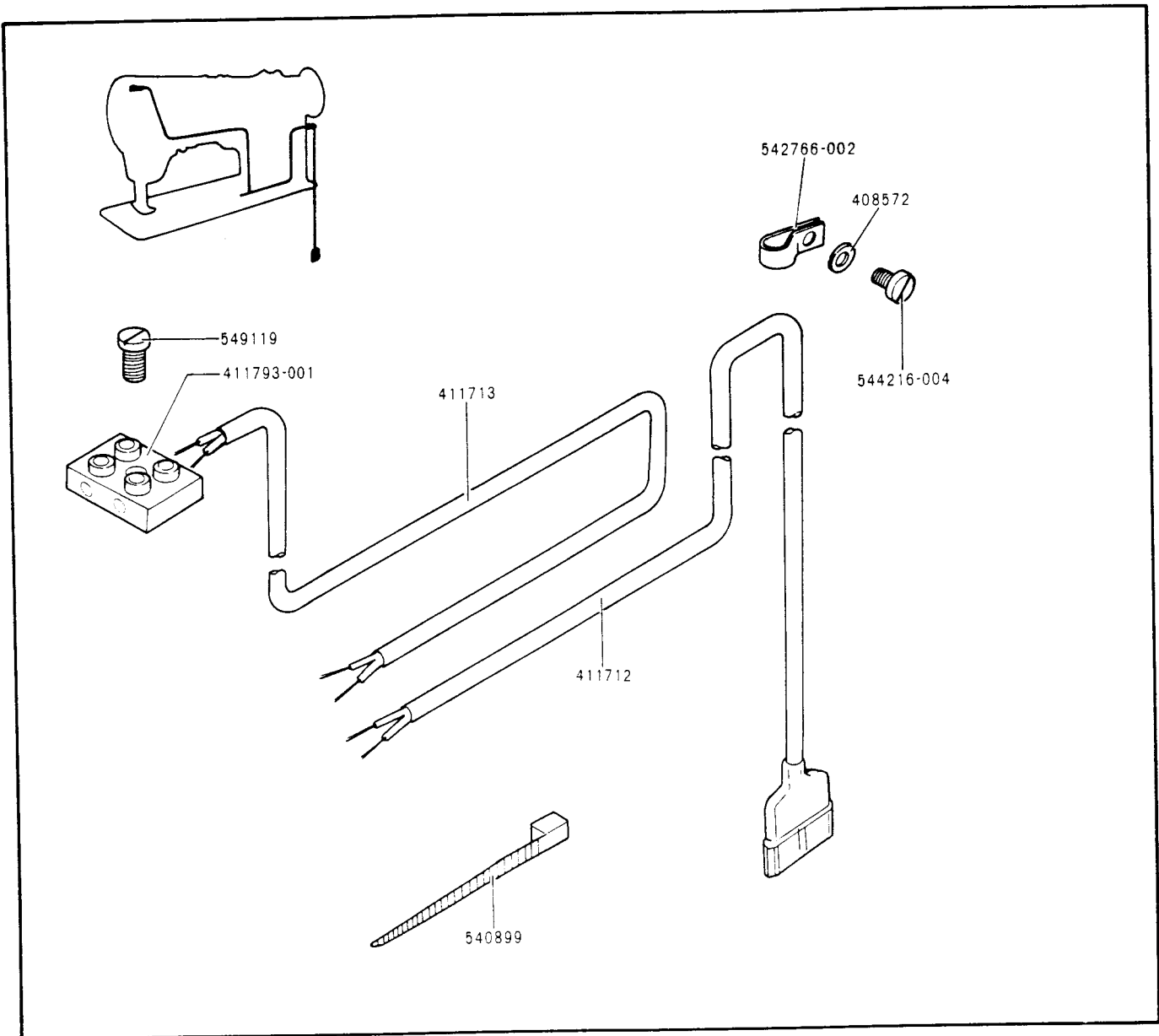
507574      THREAD PULLER CARRIAGE SHAFT RETAINING RING  
508832      THREAD PULLING AND TRIMMING UNIT CPL. NOS. 507574,  
508834, 508835, 508836, 508838, 508841, 508842,  
508847, 508848, 508849, 509012, 509013, 509015,  
509016, 512042, 541164-002, 544157, 544431-051,  
544431-052 AND TWO EACH 511542, 511565,  
543803-002 AND 544216-054  
508834      PIVOTING KNIFE STOP  
508835      PIVOTING KNIFE BUSHING  
508836      PIVOTING KNIFE SPACER  
508838      THREAD POSITIONING WIRE  
508841      THREAD PULLER FINGER  
508842      THREAD PULLER CARRIAGE CPL. NOS.  
508843 TO 508846, AND 544157, 543801-003  
AND TWO 544216-054  
508843      THREAD PULLER CARRIAGE  
508844      THREAD PULLER FINGER STOP PLATE  
508845      KNIFE OPENING PAWL

508846      KNIFE OPENING PAWL RETURN SPRING  
508847      THREAD PULLER CARRIAGE SHAFT  
508848      PIVOTING KNIFE BIAS SPRING  
508849      THREAD PULLER CARRIAGE RETAINING PLATE  
509012      PIVOTING KNIFE  
509013      BED SLIDE  
509015      COUNTER KNIFE  
509016      COUNTER KNIFE RETAINING PLATE  
511542-850      PIVOTING KNIFE STOP SECURING SCREW (2)  
511565-850      KNIFE RETAINING PLATE SECURING SCREW (2)  
512042      THREAD POSITIONING WIRE TENSION WASHER  
541164-002      THREAD POSITIONING WIRE SECURING NUT  
543801-003      KNIFE OPENING PAWL RETAINING RING  
543803-002      THREAD POSITIONING WIRE WASHER (2)  
544216-054      BED SLIDE SECURING SCREW (2)  
544431-051      THREAD POSITIONING WIRE SECURING SCREW  
544431-052      THREAD PULLER CARRIAGE RETAINING PLATE SECURING  
SCREW (2)



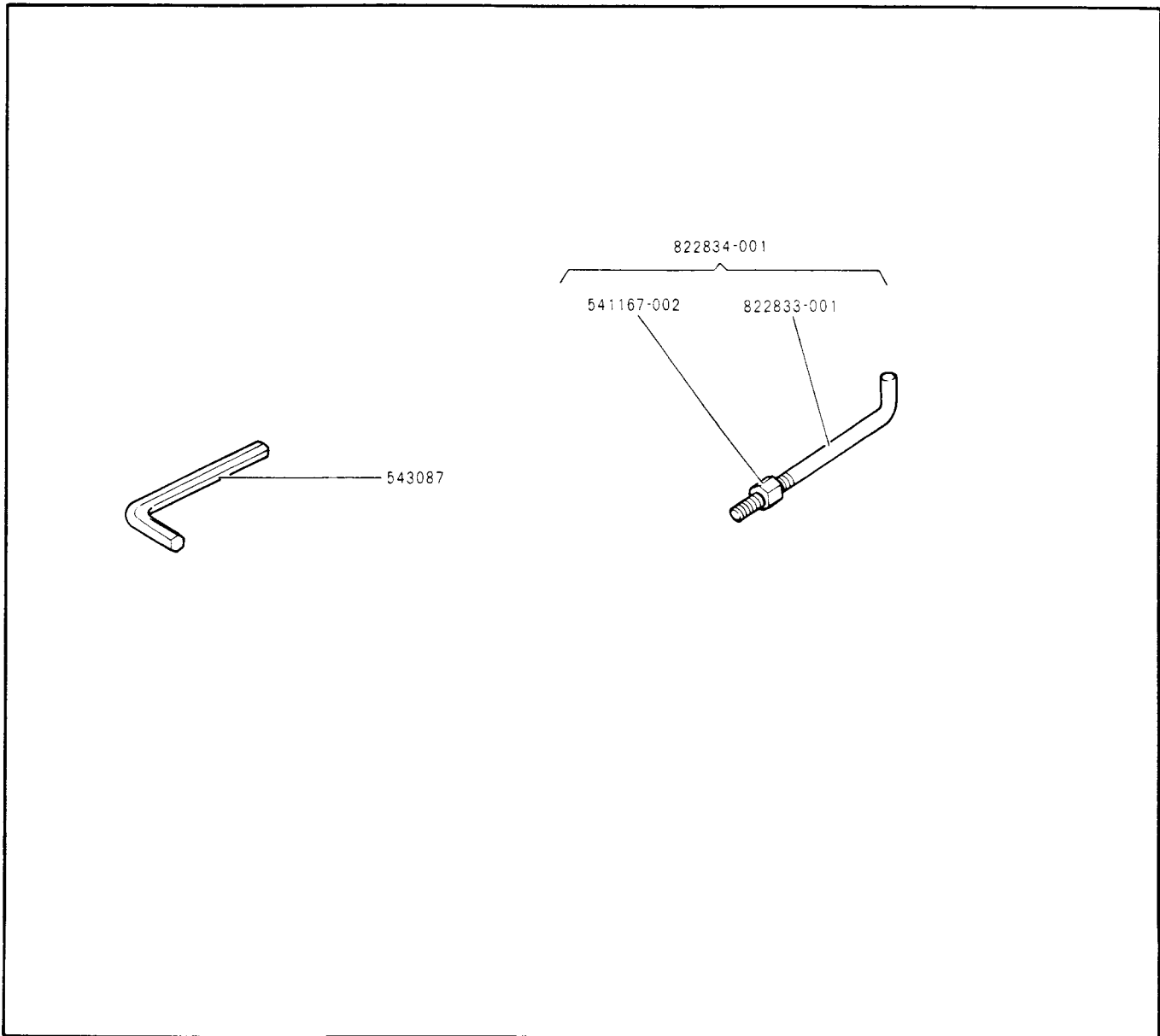
411261 CLAMPING PIECE CPL. NOS. 509038, 509047,  
533804-002, 544285, 549101 AND TWO 544430  
411263 ROTARY TAKE UP MOUNTING DISC CPL. NOS.  
411264, 509044, 509045 AND TWO EACH 500262  
411264 ROTARY TAKE UP MOUNTING DISC CATCH NUT  
500262-833 ROTARY TAKE UP MOUNTING DISC SCREW (2)  
509038 CLAMPING PIECE YOKE  
509044 ROTARY TAKE UP MOUNTING DISC

509045 ROTARY TAKE UP MOUNTING DISC CATCH  
509047 CLAMPING PIECE THREAD WIPER  
543801-003 SAFETY WASHER  
543804-002 TEREAD WIPER SCREW WASHER  
544285 CLAMPING PIECE SCREW  
544430 CLAMPING PIECE YOKE SCREW (2)  
549101 THREAD WIPER SCREW



408572 CABLE CLAMP SCREW WASHER  
 411712 WIRE HARNESS (LONG)  
 411713 WIRE HARNESS (SHORT)  
 411793-001 ELECTRIC TERMINAL (UPPER)

540899 CABLE RETAINER  
 542766-002 CABLE CLAMP  
 544216-004 CABLE CLAMP SCREW  
 549119 ELECTRIC TERMINAL SECURING SCREW

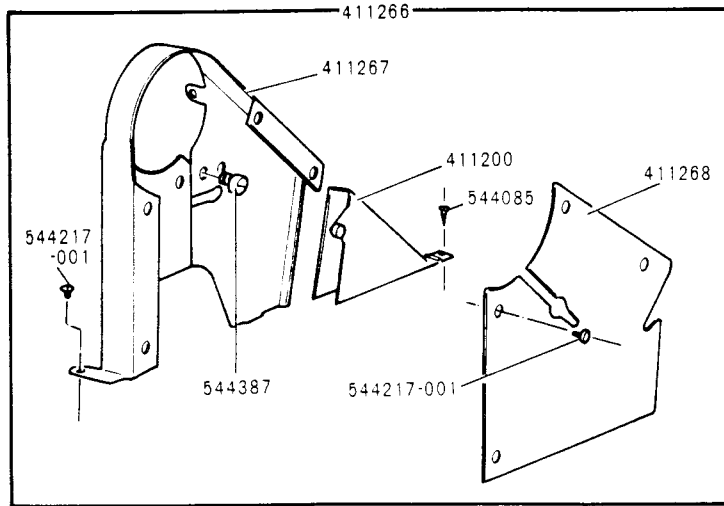


ACCESSORIES

541167-002	SENSOR ANTI-ROTATION ROD NUT
543087	HEXAGON WRENCH
822833-001	SENSOR ANTI-ROTATION ROD
822834-001	SENSOR ANTI-ROTATION ROD WITH NUT



# OPTIONAL PARTS



411200	BELT GUARD (LOWER)
411266	BELT GUARD CPL. NOS., 411200, 411267, 411268.
411267	BELT GUARD
411268	BELT GUARD PLATE
544387	TWO 544085 AND EIGHT 544217-001

544085	BELT GUARD (LOWER) SCREW (WOOD) (2)
544217-001	BELT GUARD SCREW (SMALL) (4)
544217-001	BELT GUARD PLATE SCREW (4)
544387	BELT GUARD SCREW (LARGE)