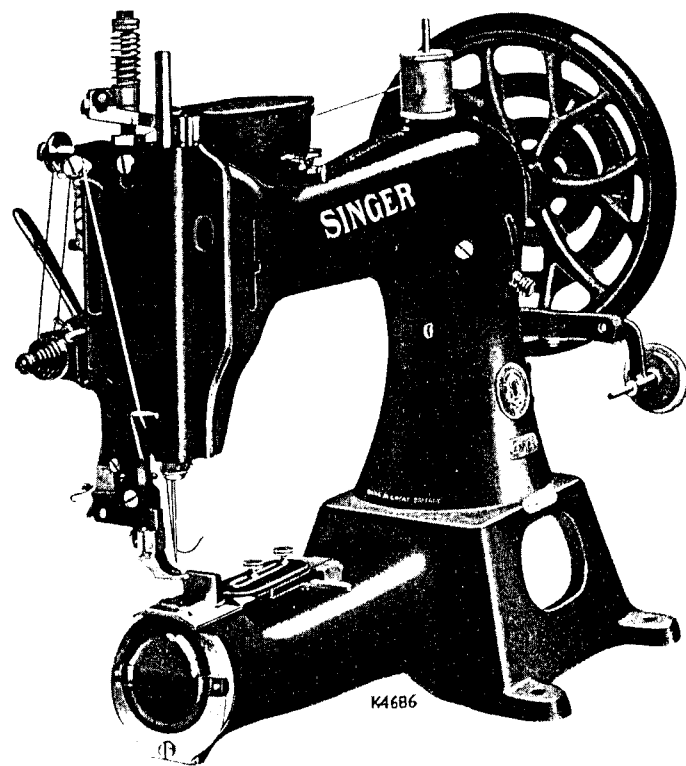


SINGER
45K56,K89

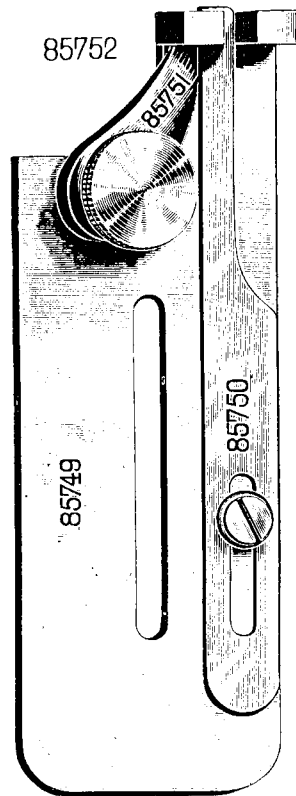
Form K6260
(Supersedes K5112)

ILLUSTRATED
LIST OF PARTS
FOR
45K56 and 45K89 MACHINES

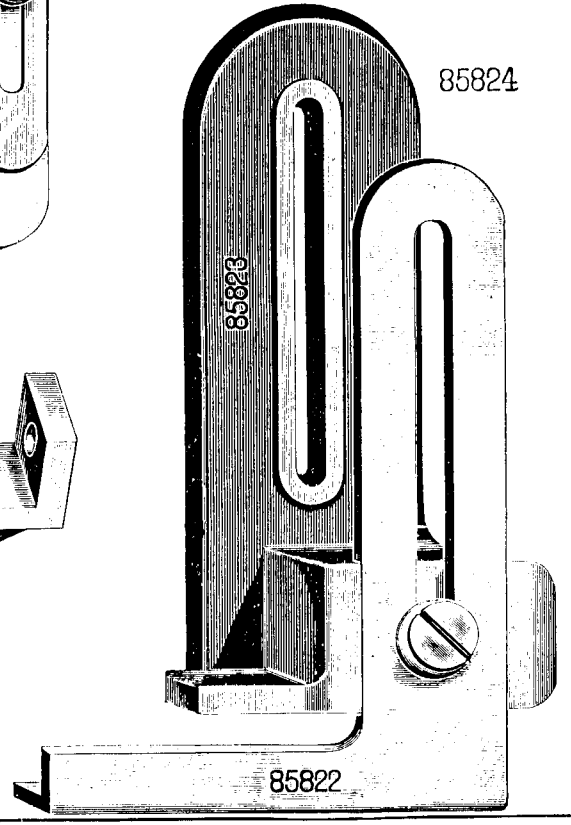
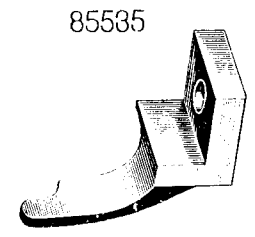


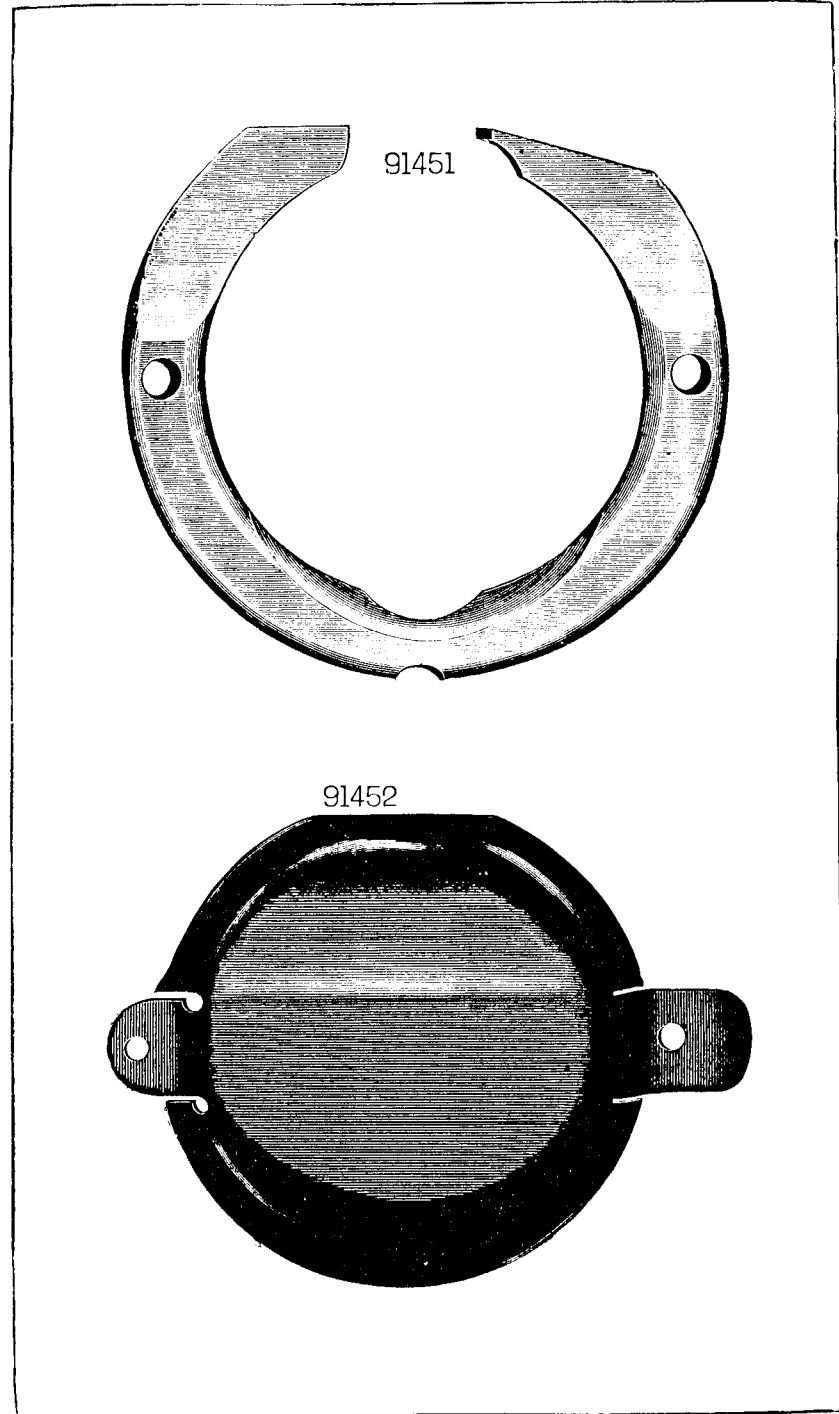
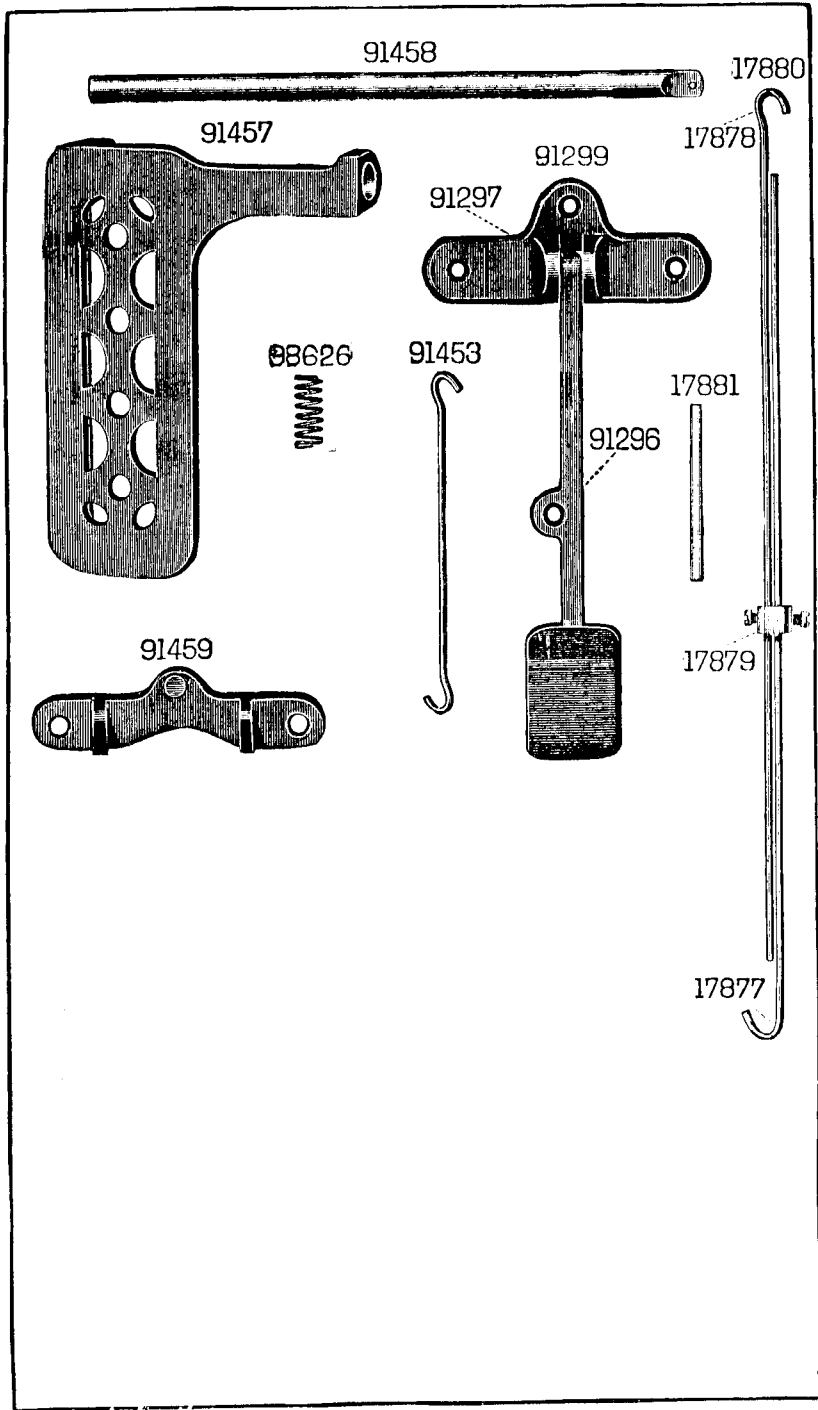
Machine No. 45K89

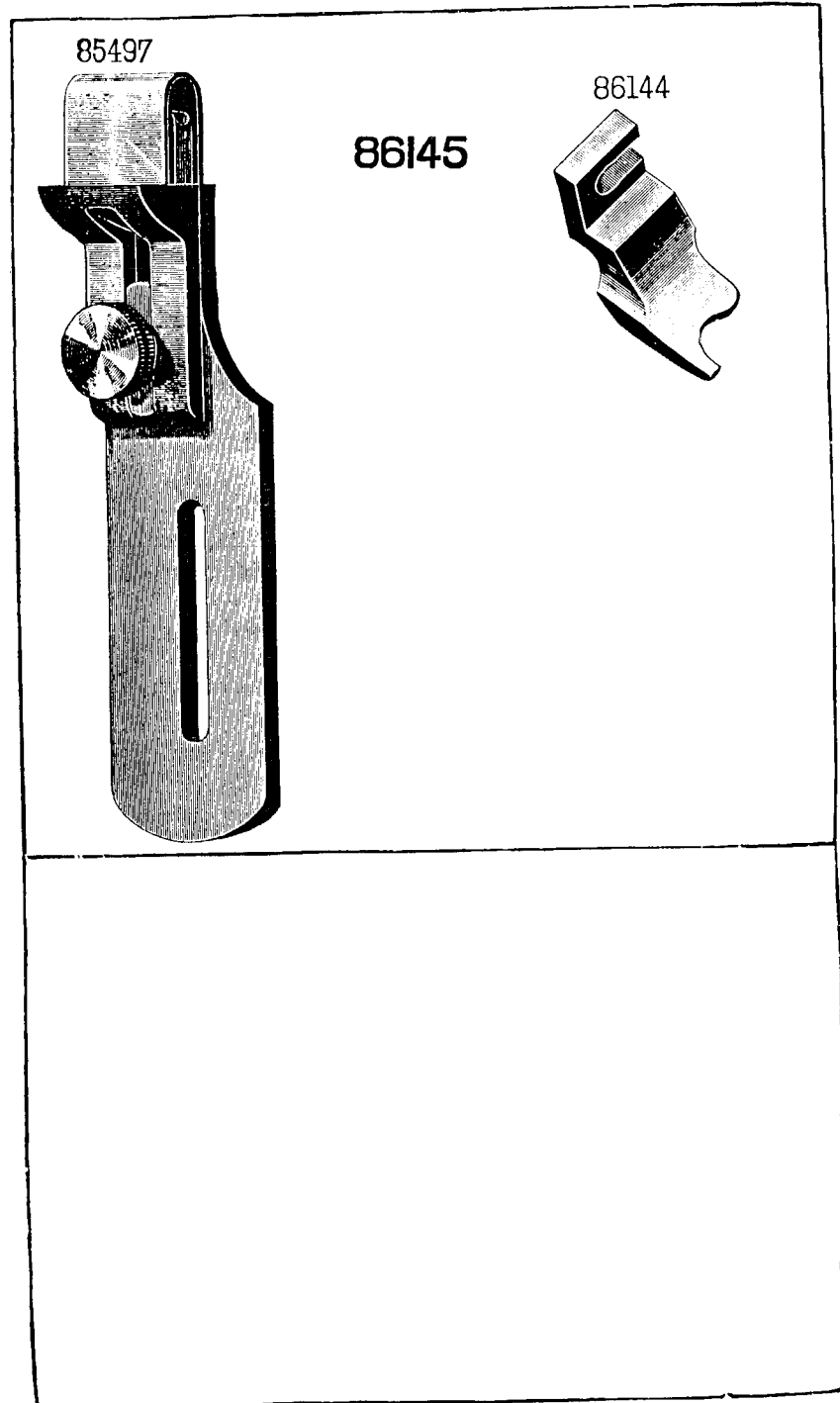
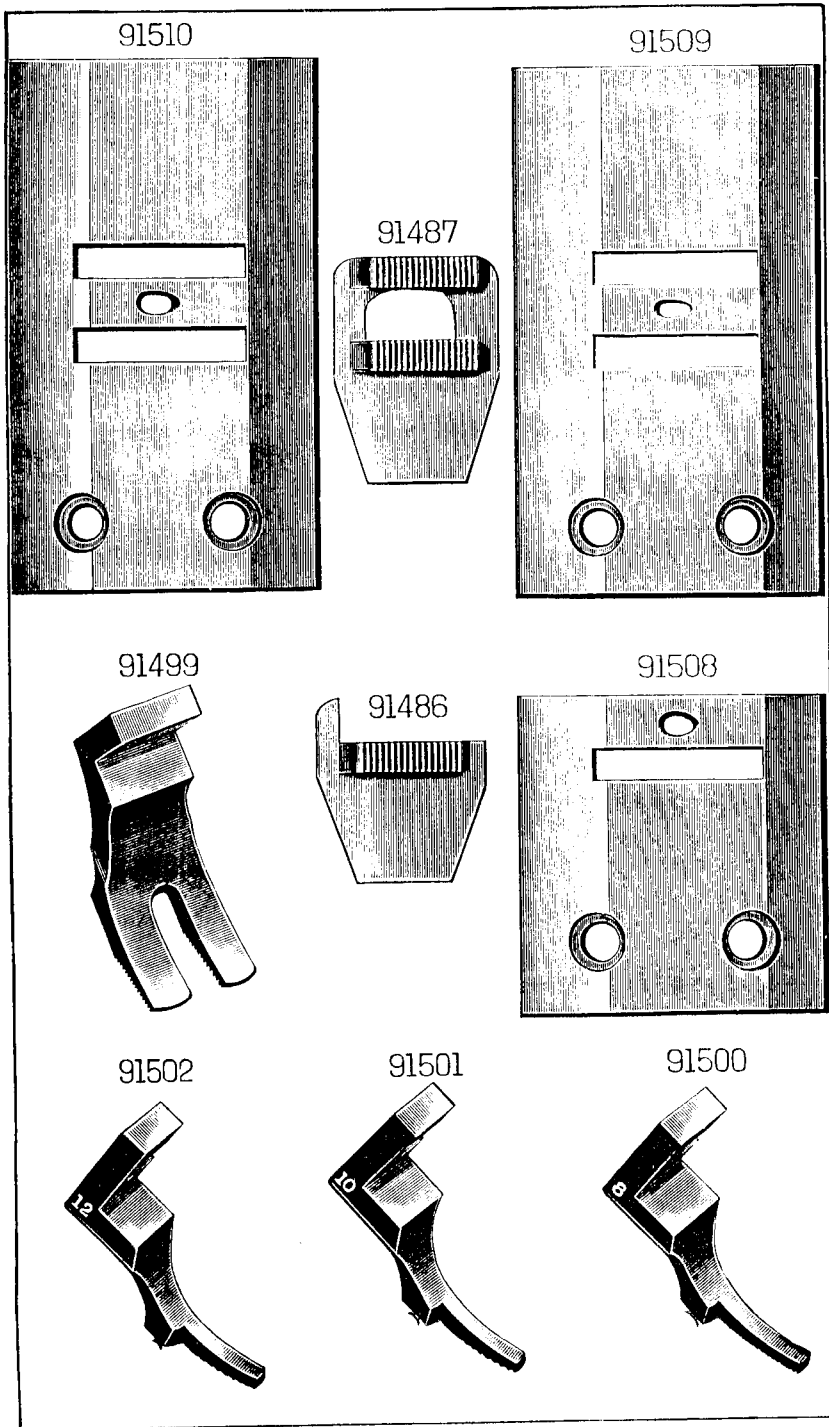
**A Trade Mark of THE SINGER MANUFACTURING COMPANY

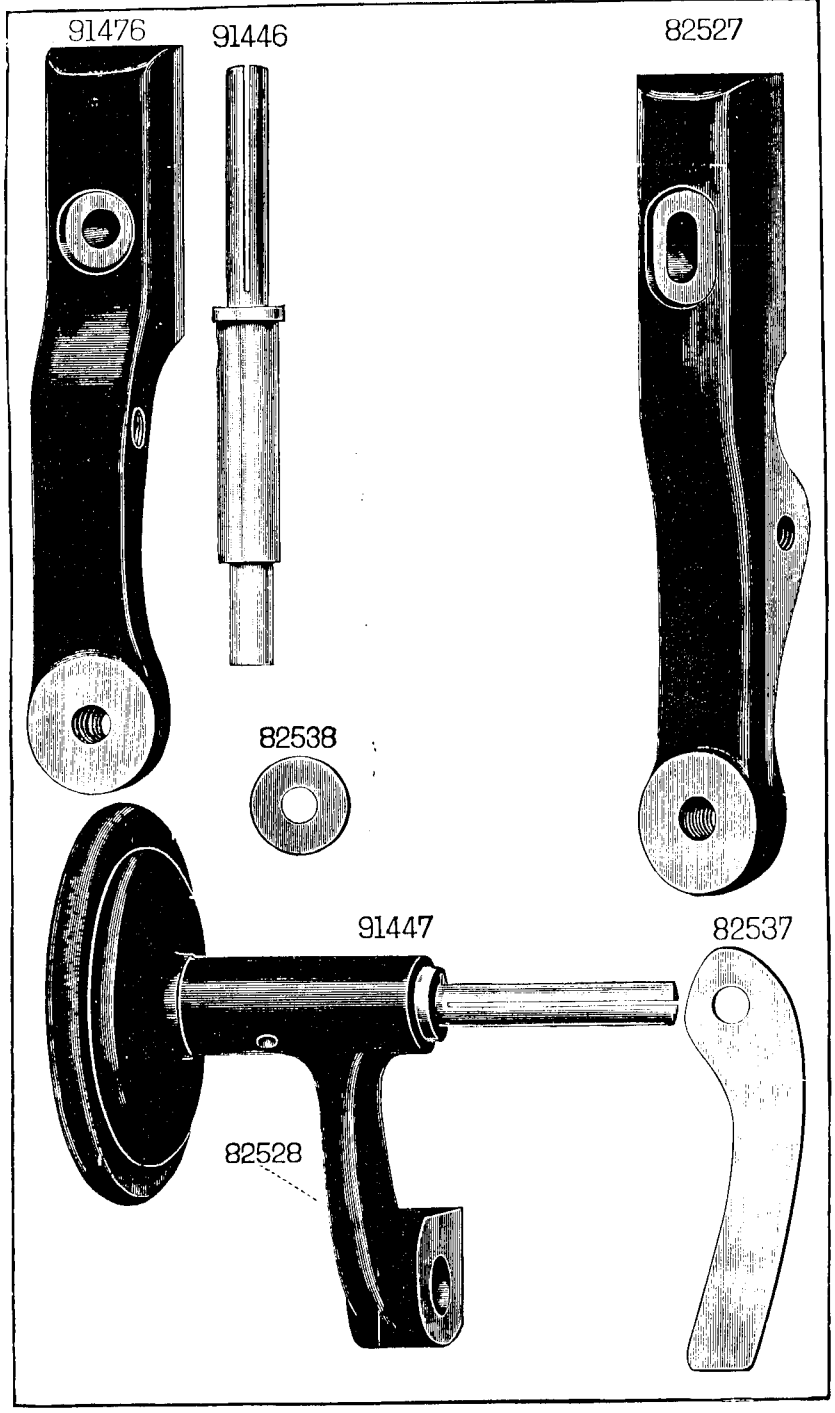
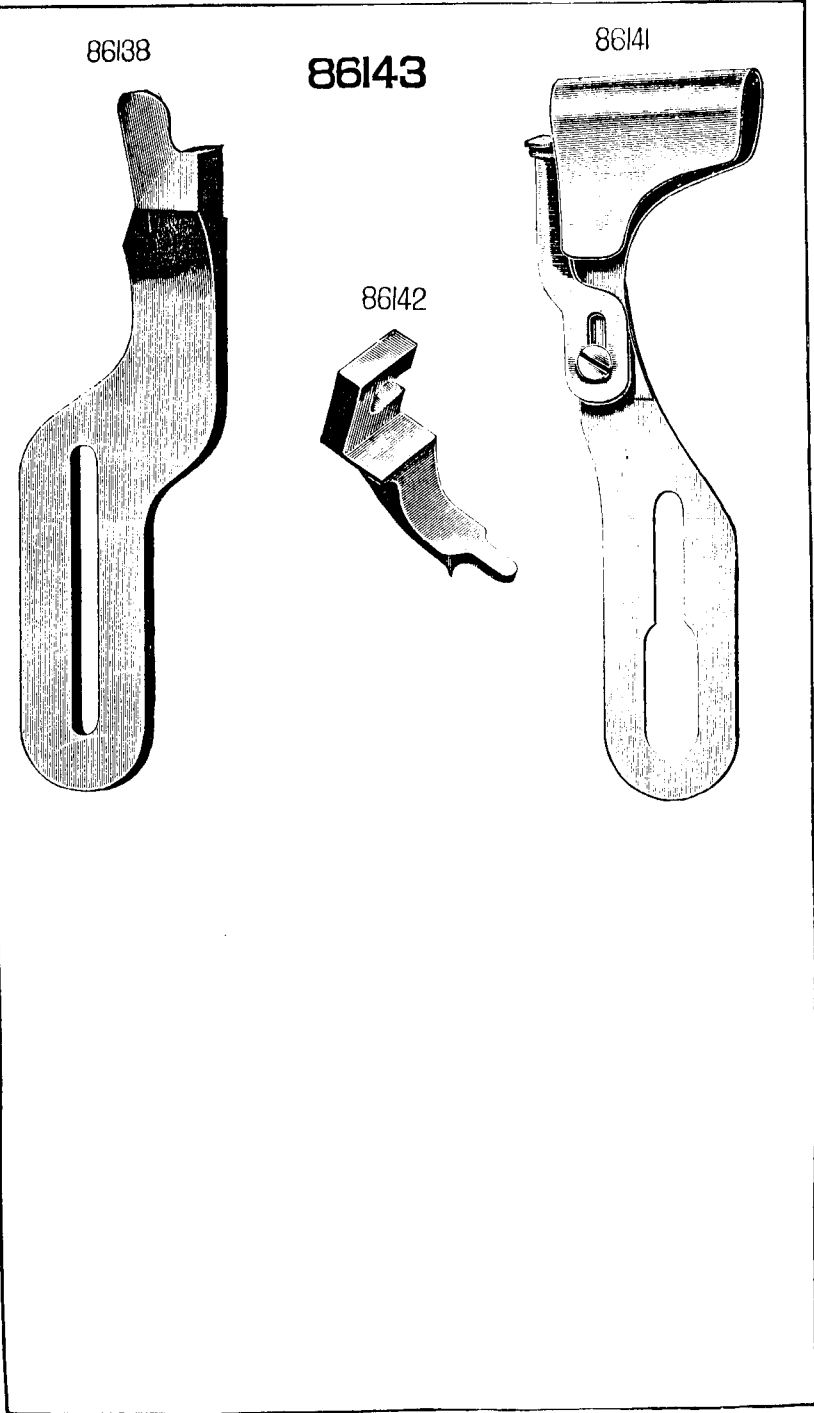


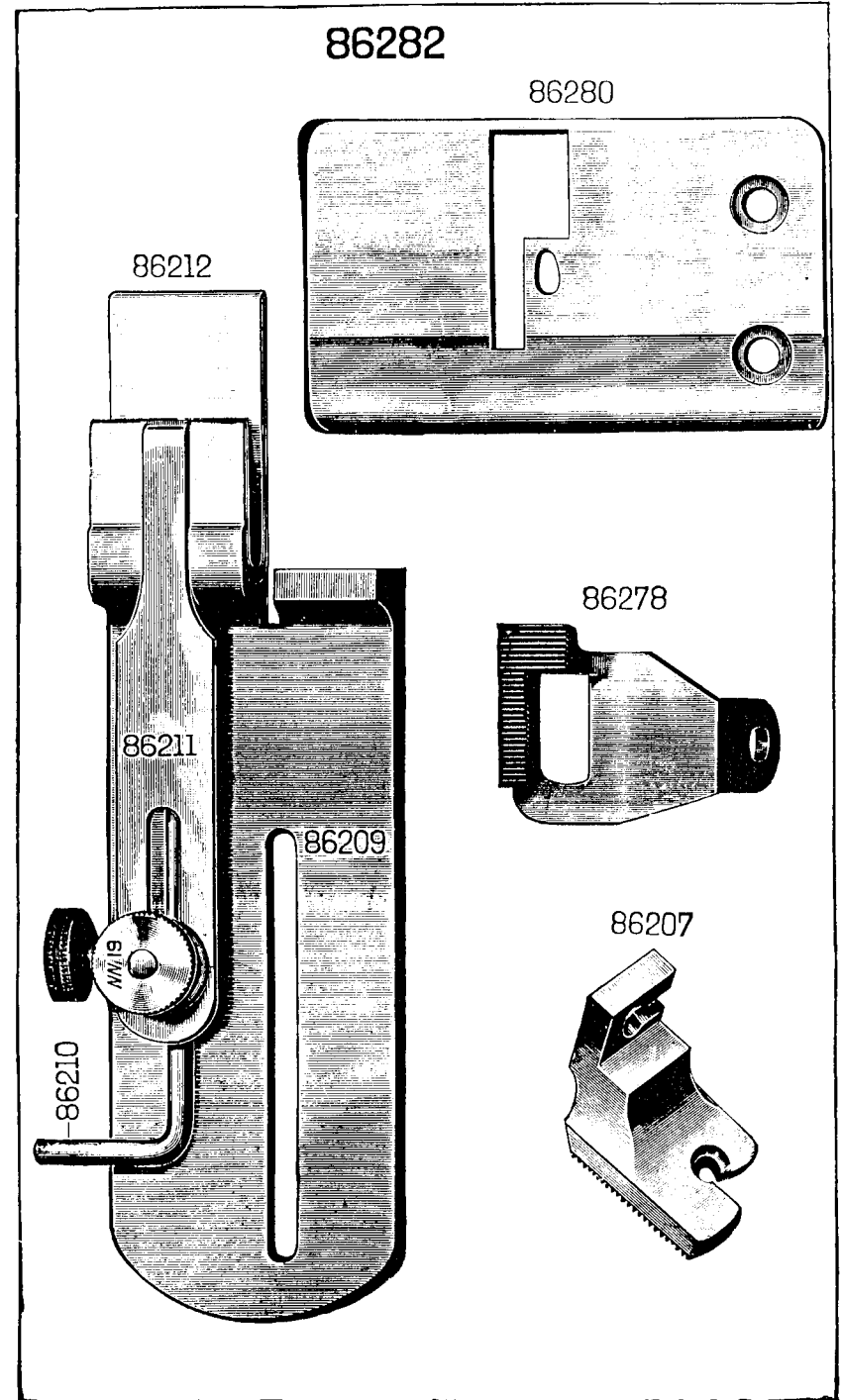
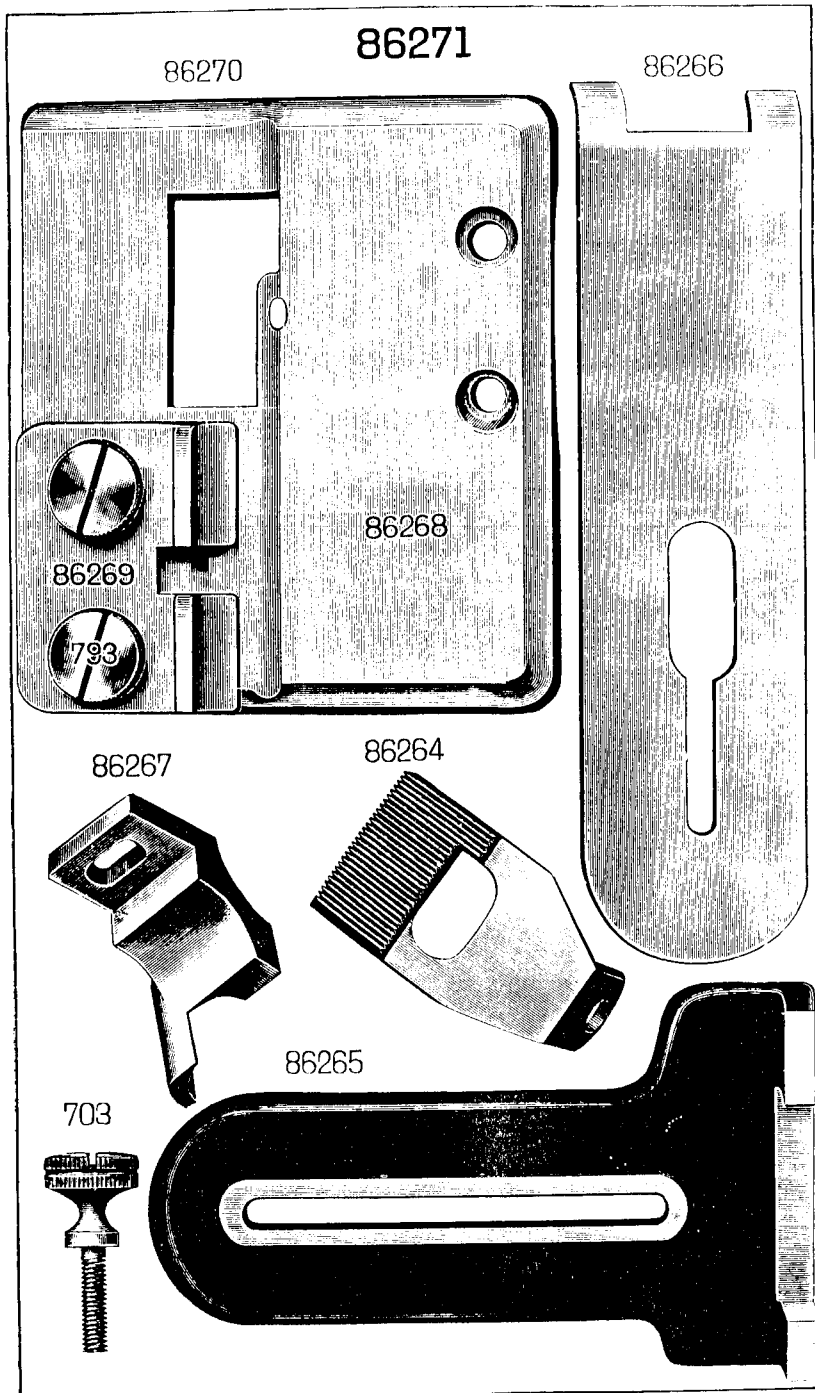
85829

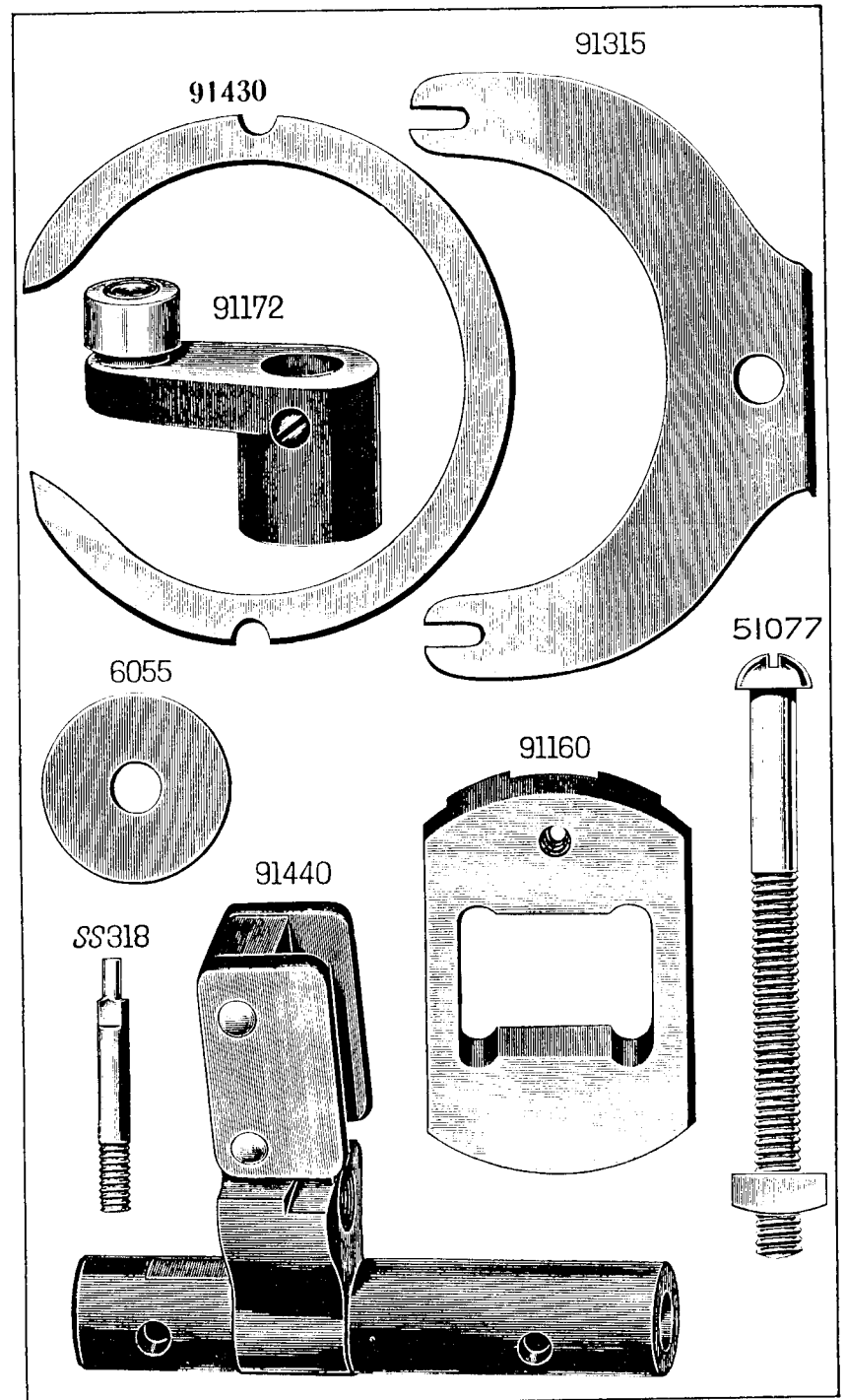
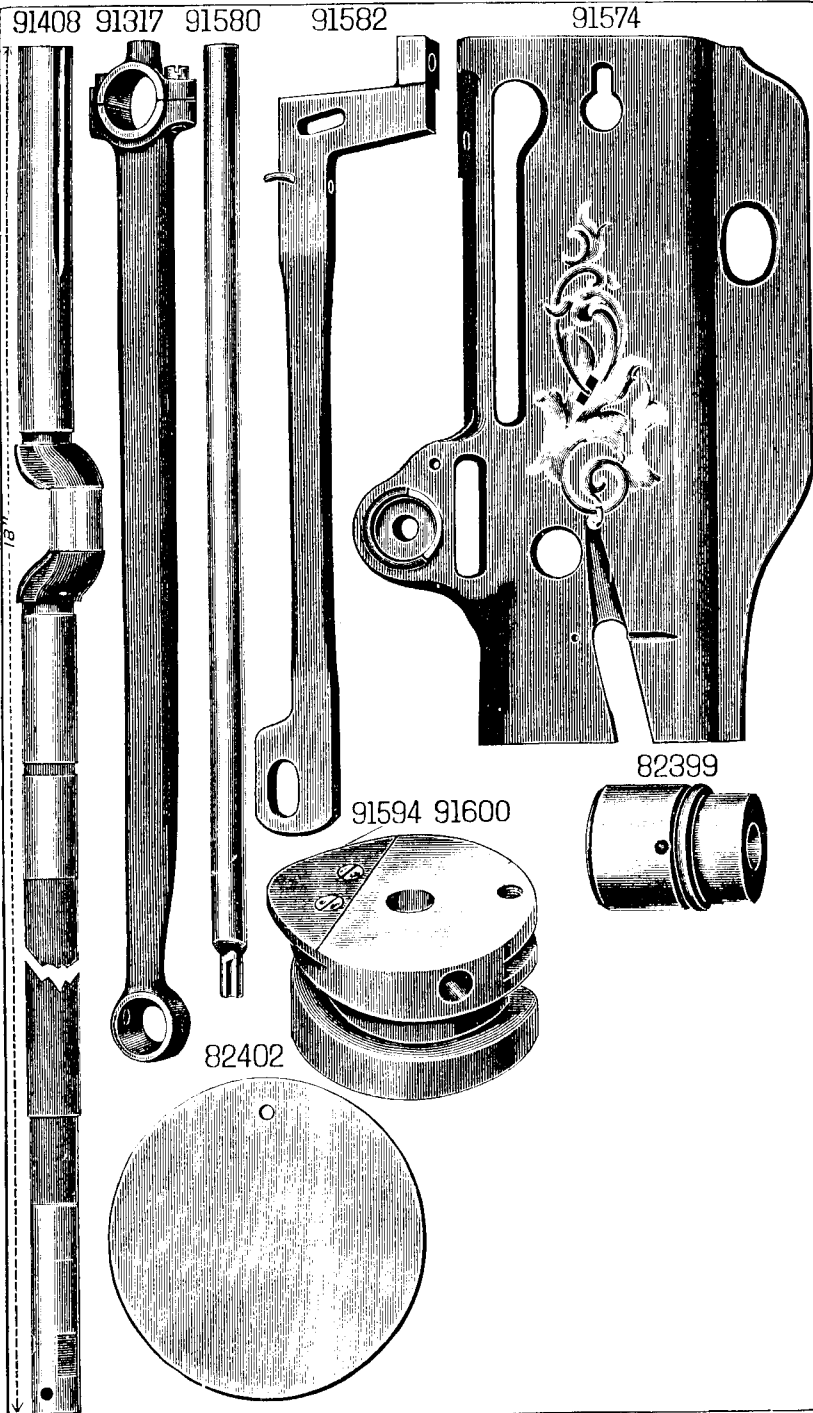


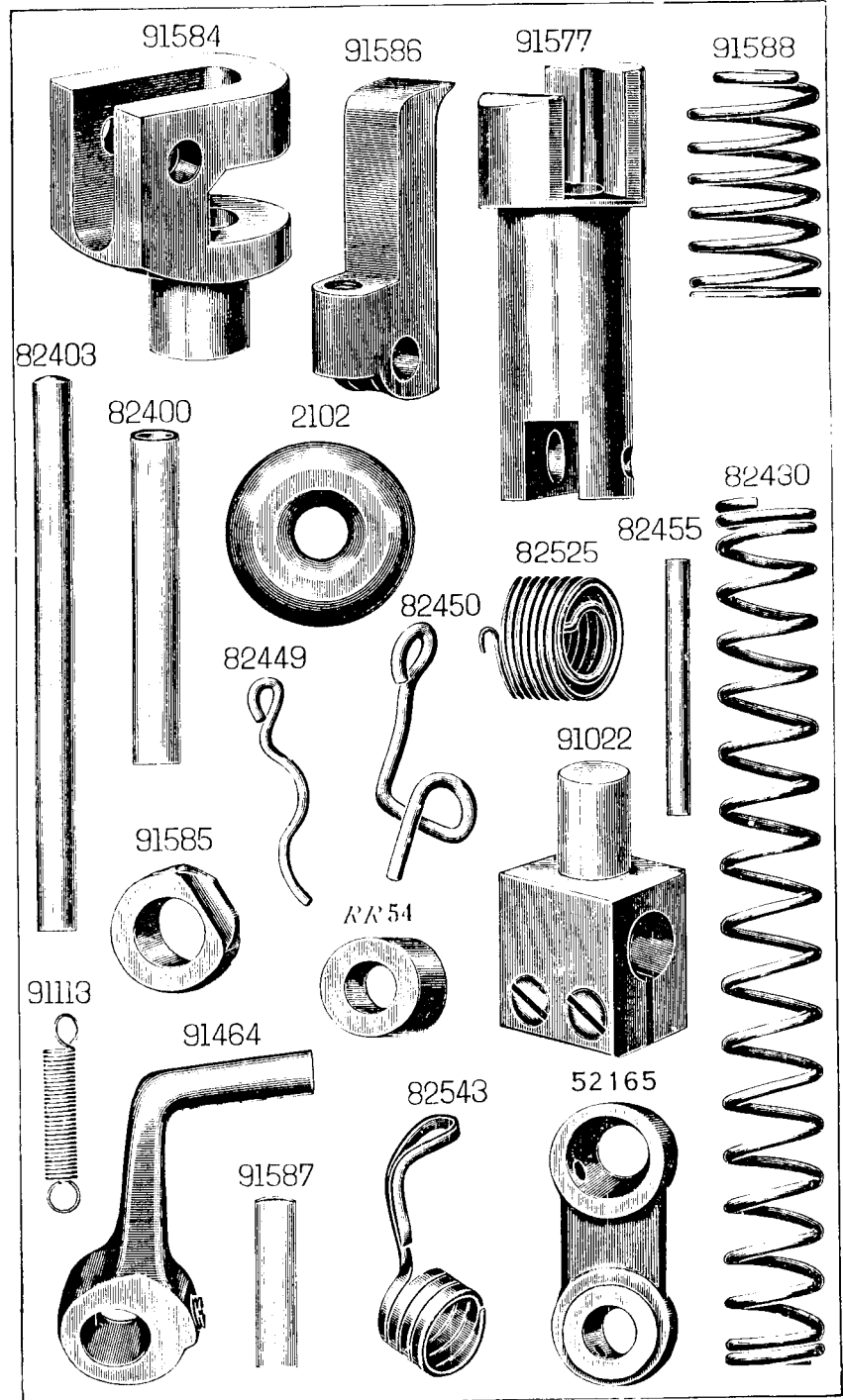
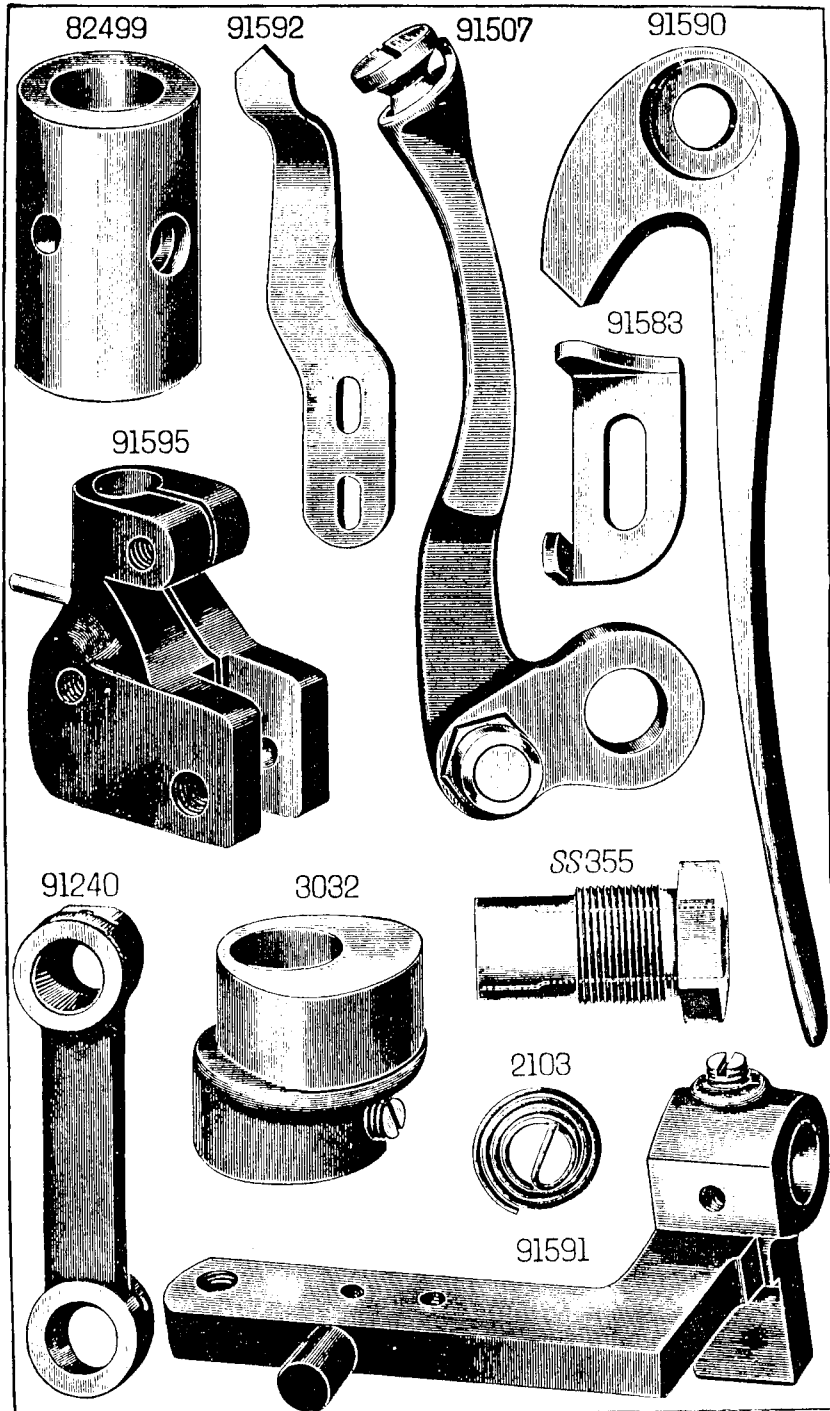


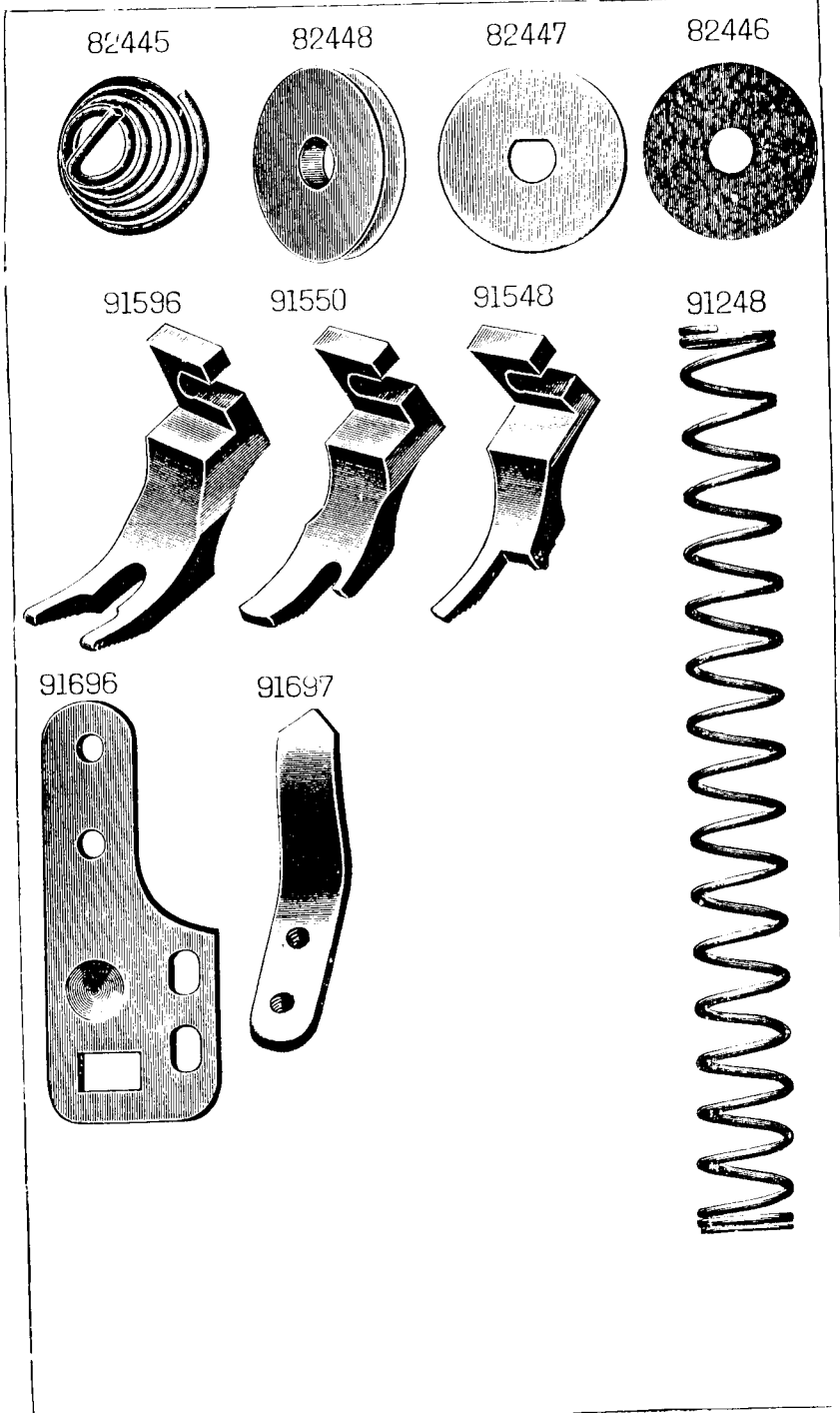
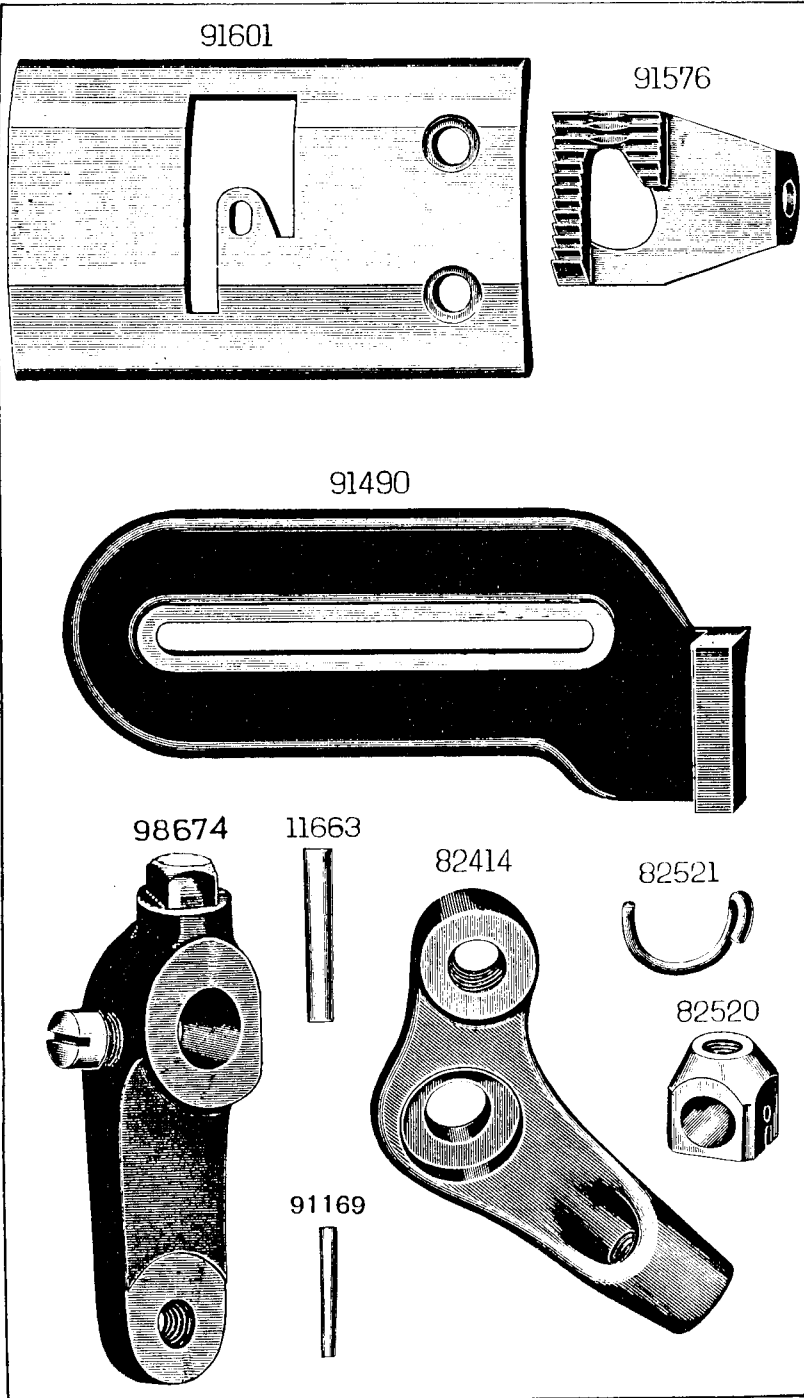




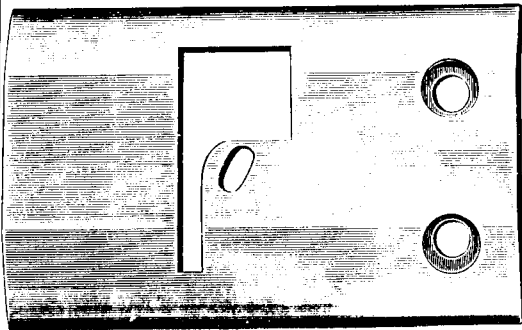




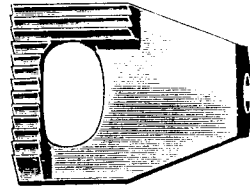




91557



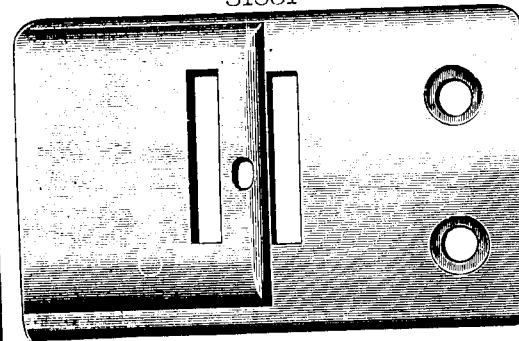
91541



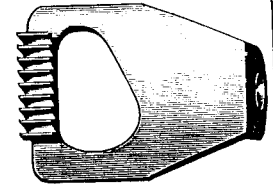
91552



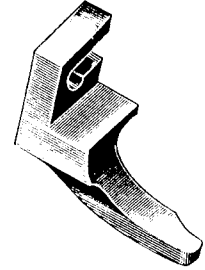
91561



91543



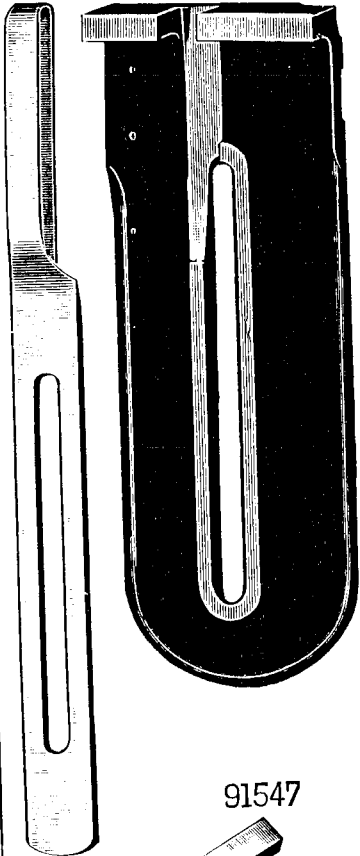
91554



86288

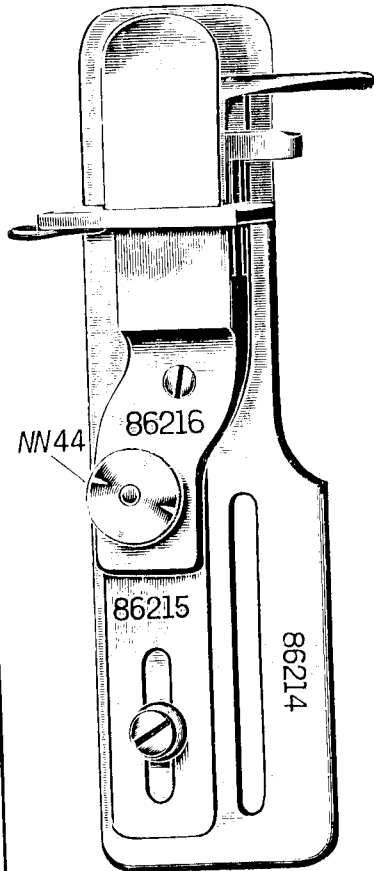
86286

86287



86285

86217



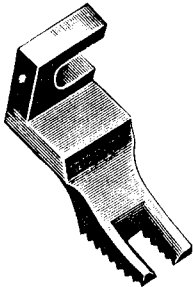
NN44

86216

86215

86214

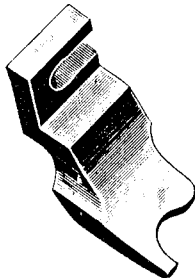
91547



703

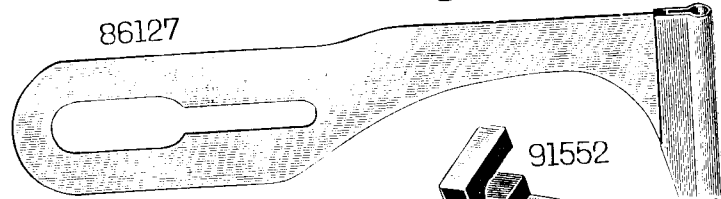


86144

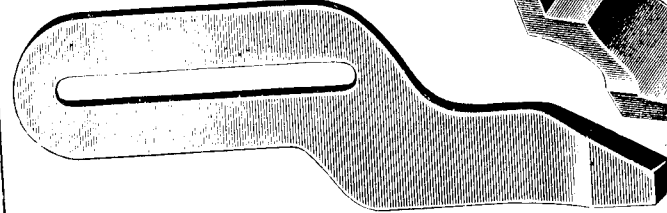


86289

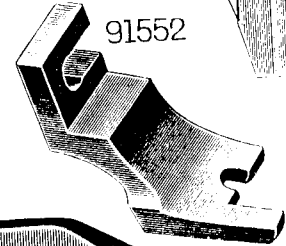
86127



86135

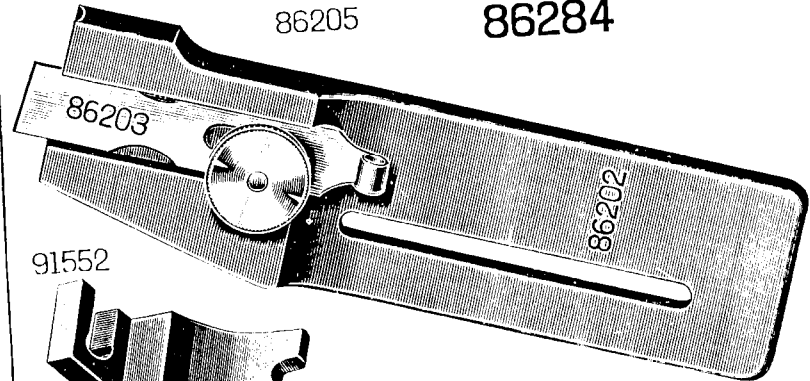


91552



86205

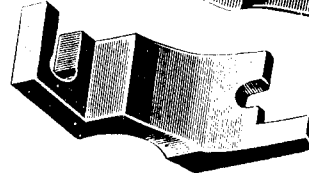
86284

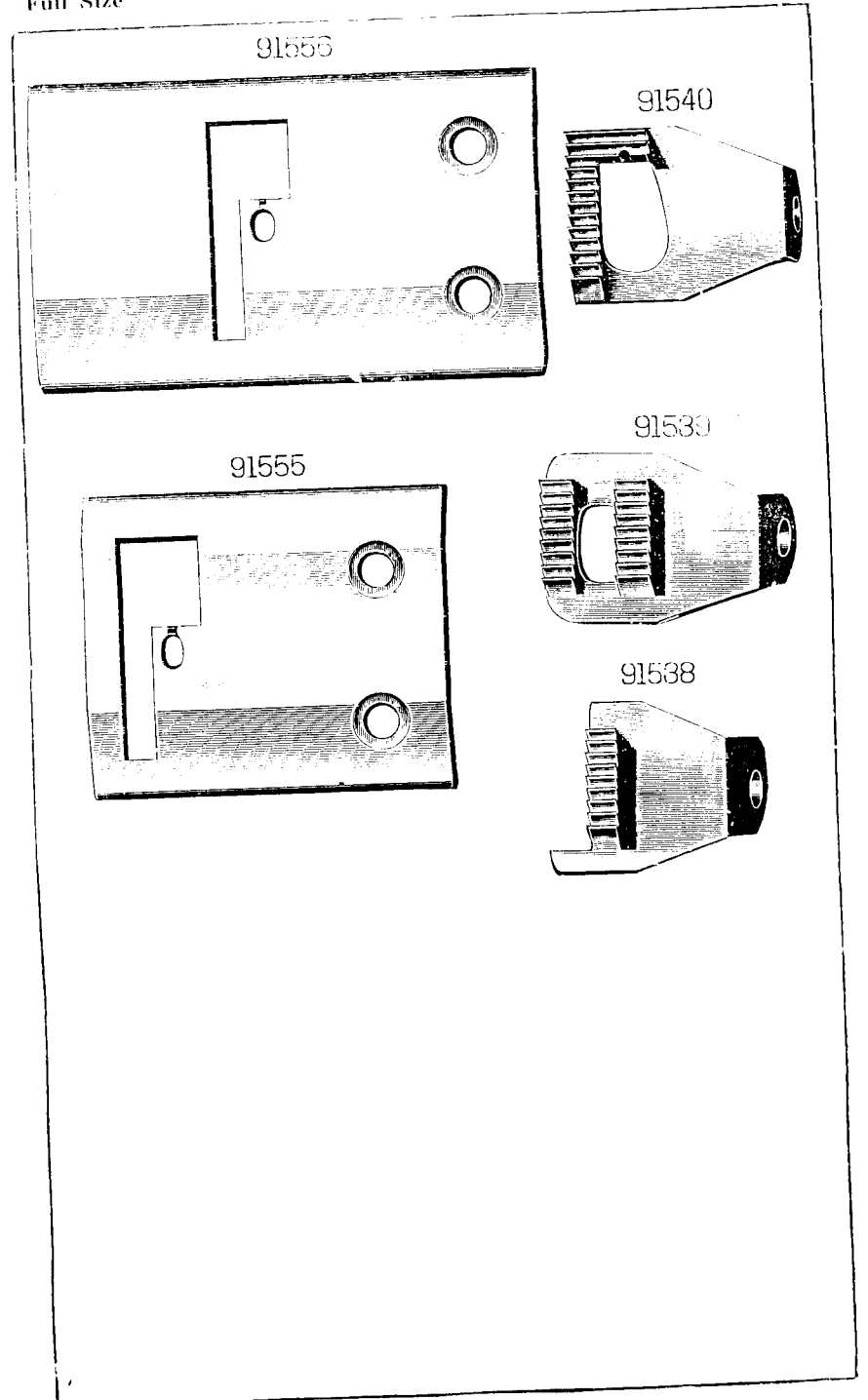
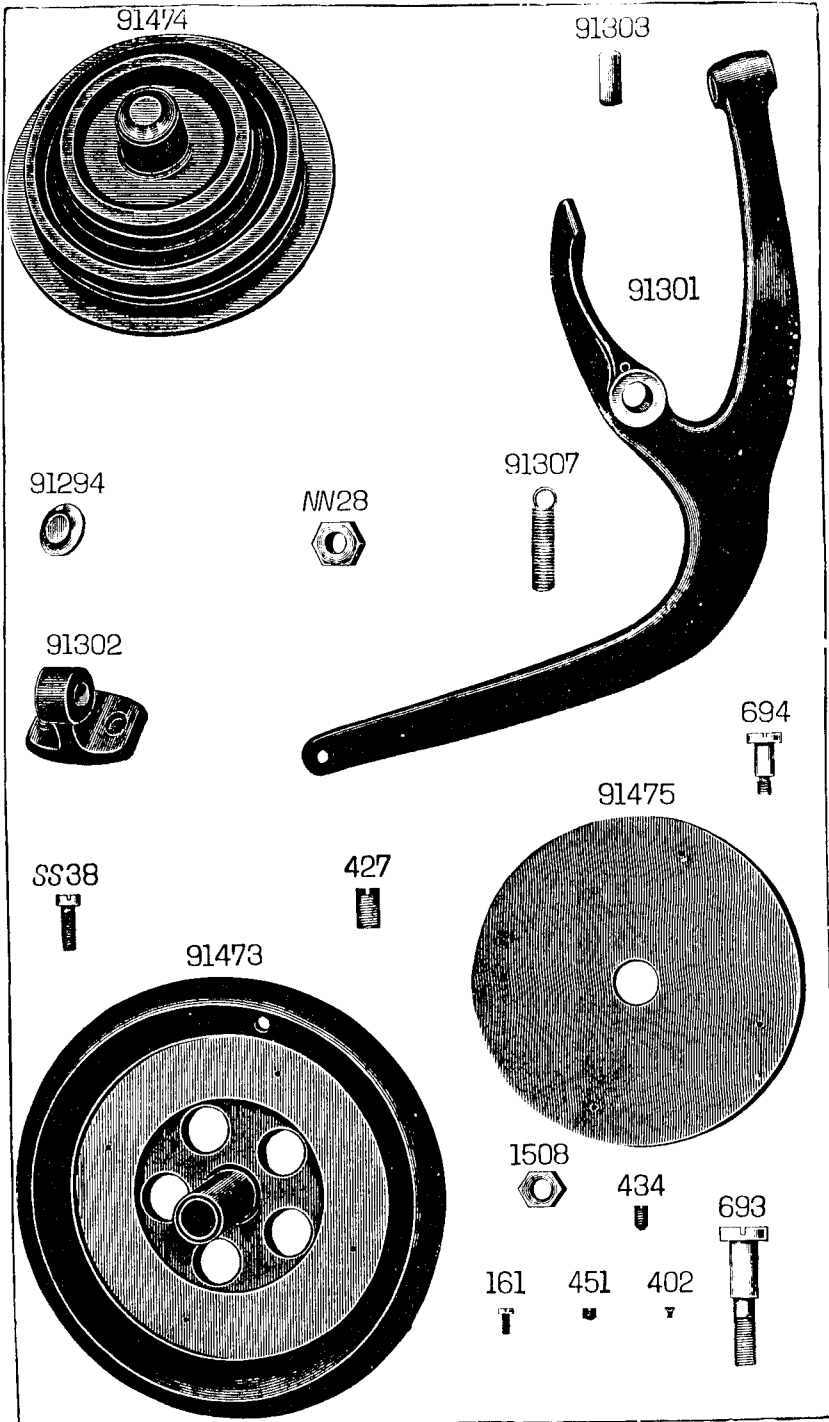


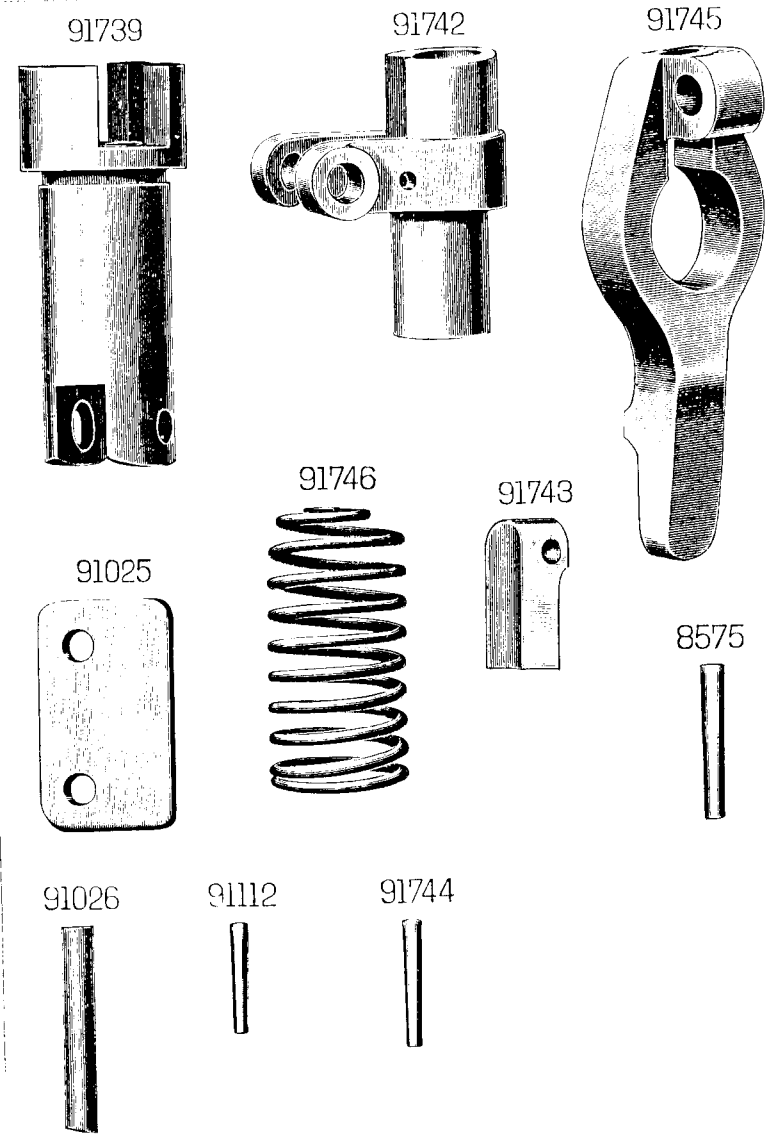
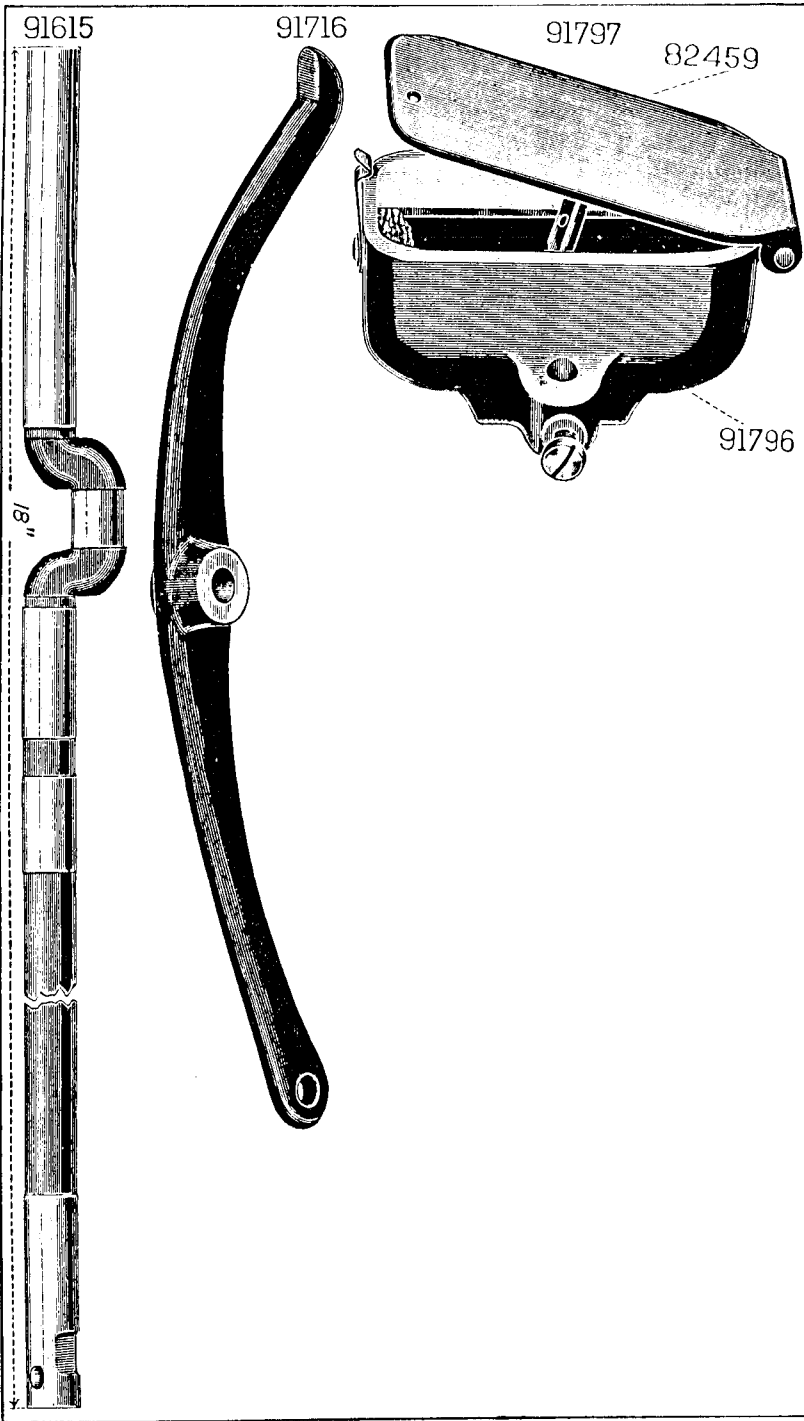
86203

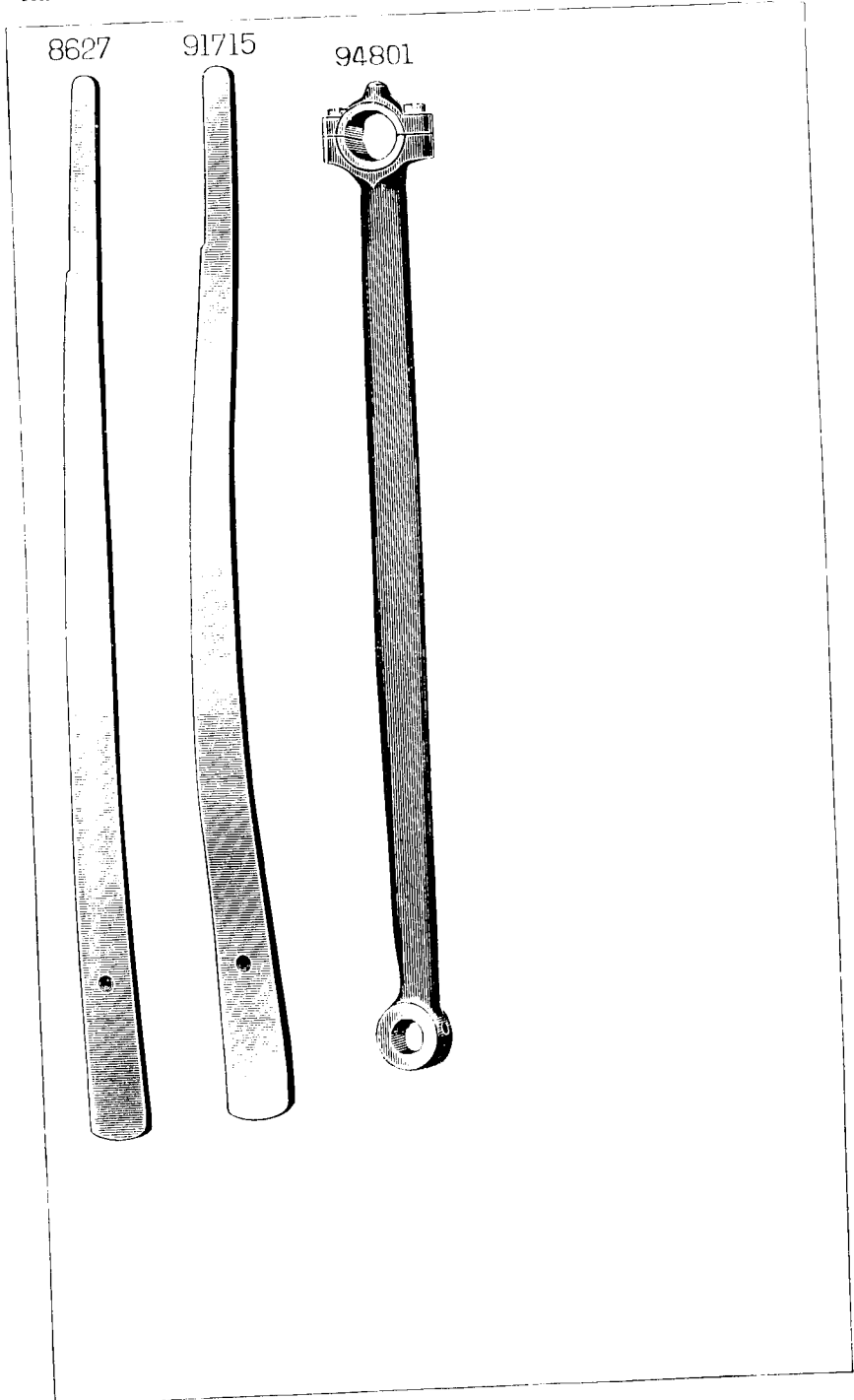
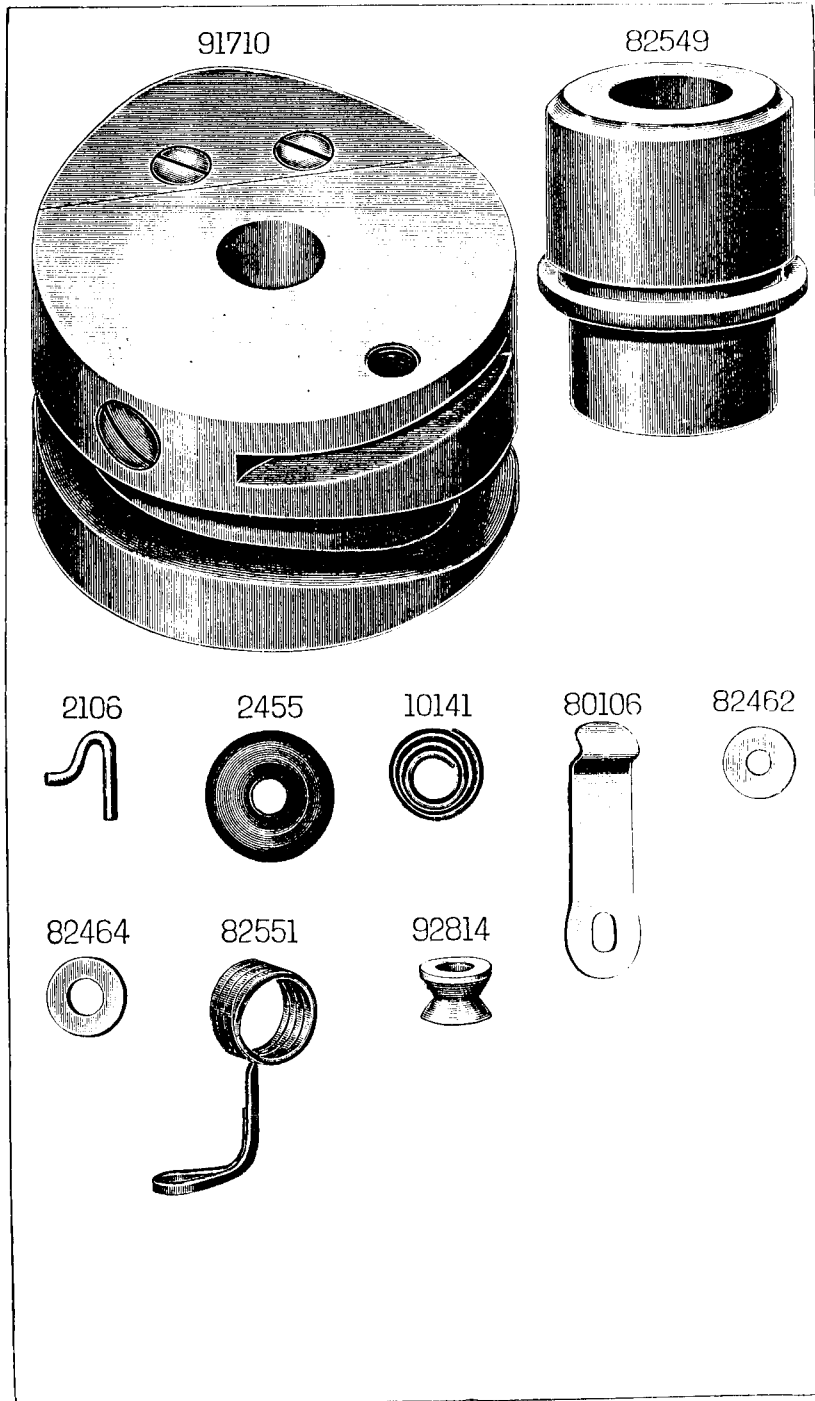
86202

91552

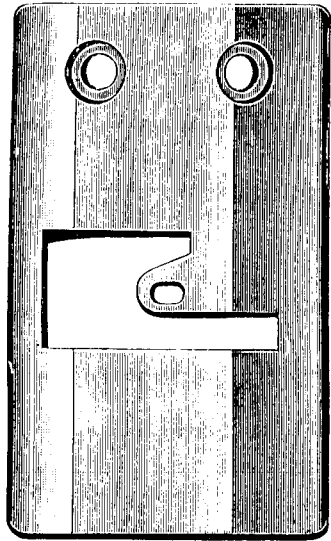




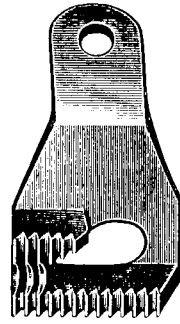




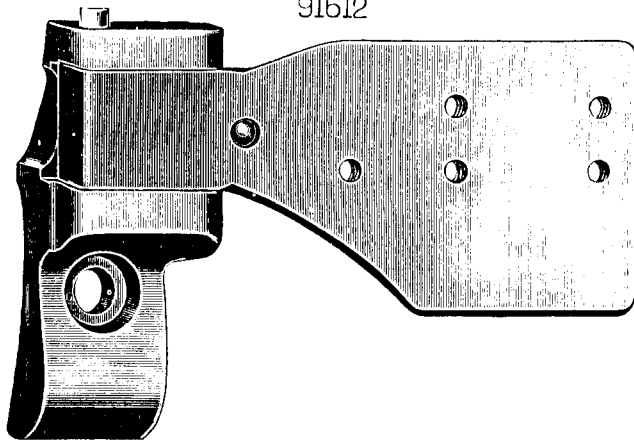
91601



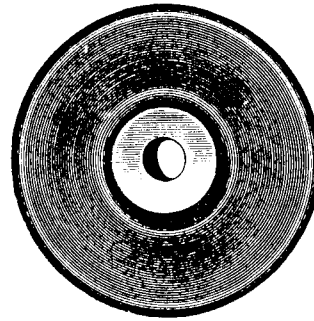
91576



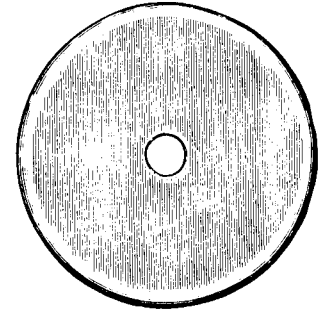
91612



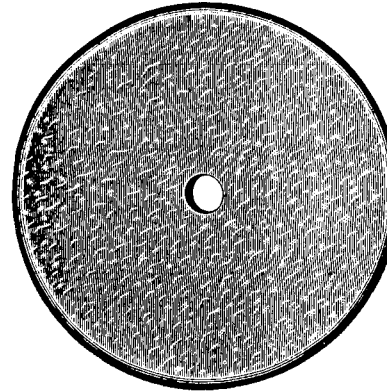
5963



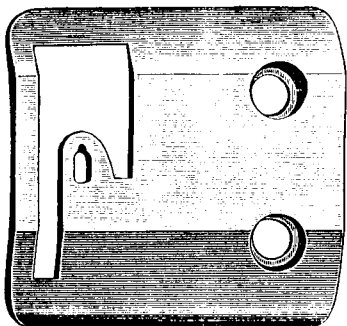
5961



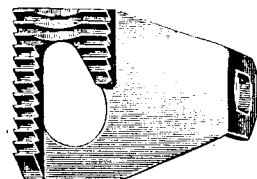
5960



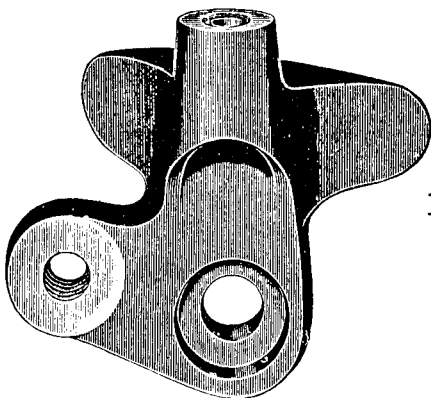
94955



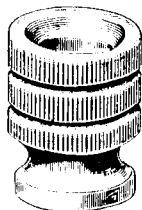
94952



94954



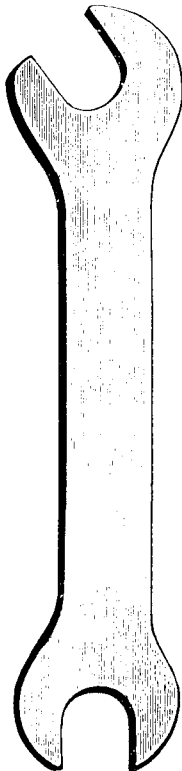
12333



120378



8908



8582



82460



91217



12323



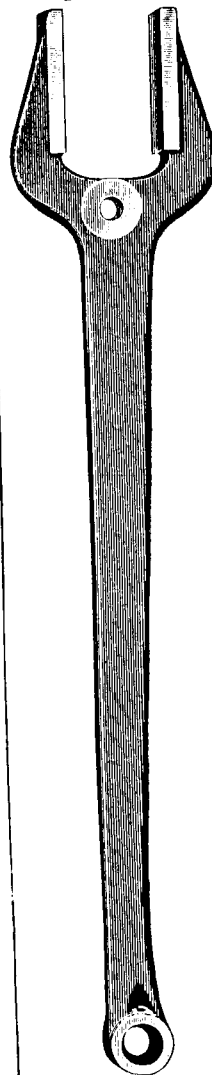
1516

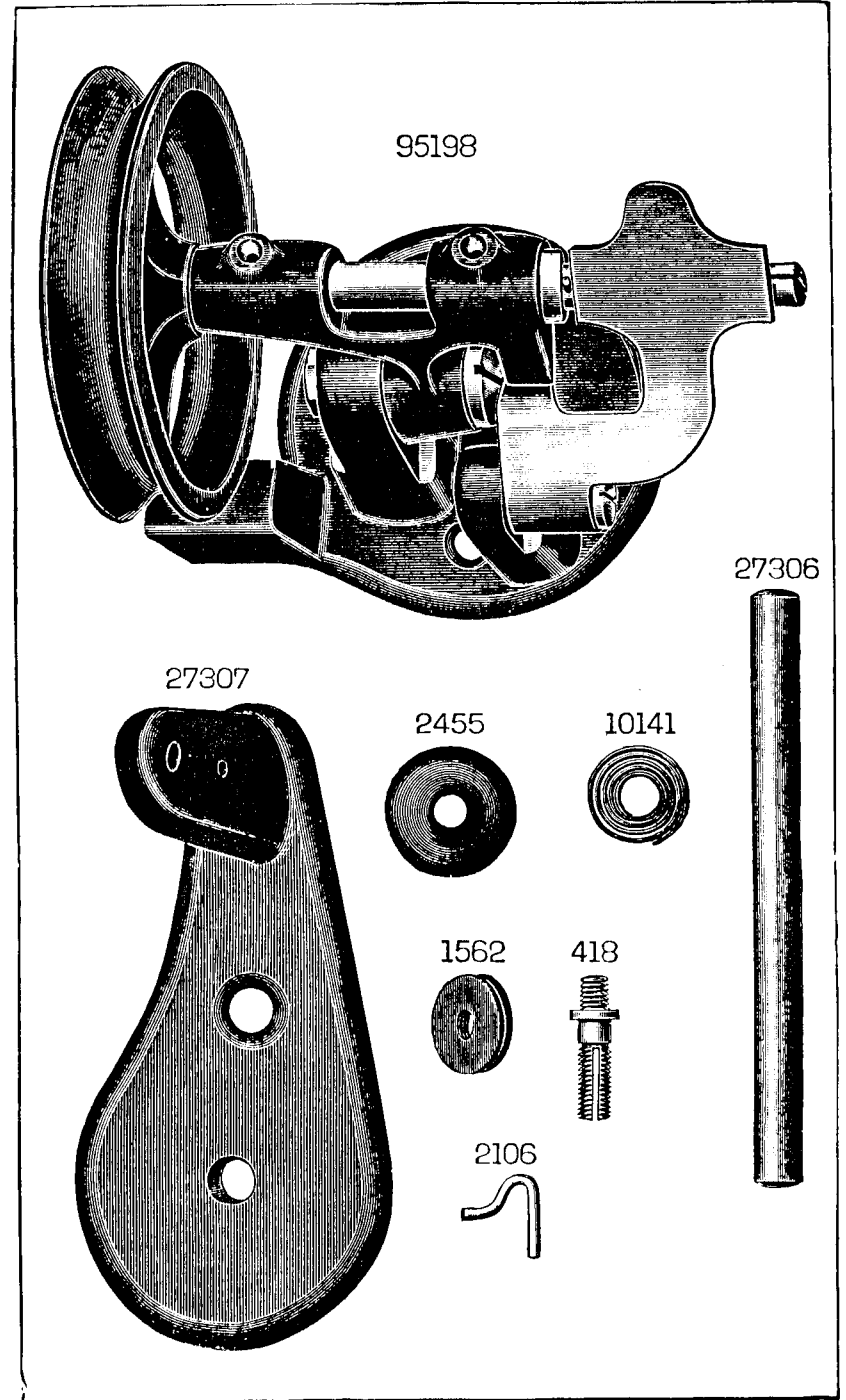
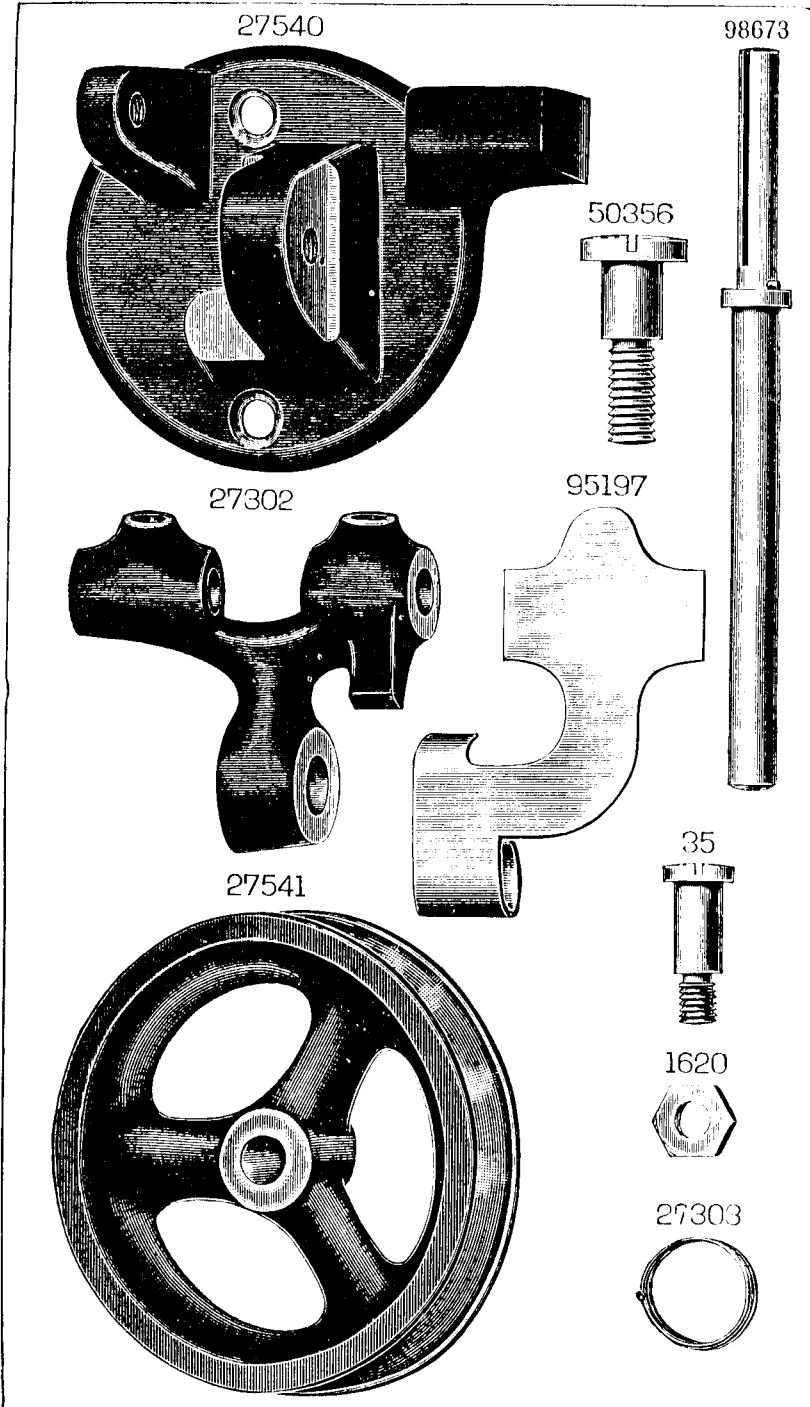


91042

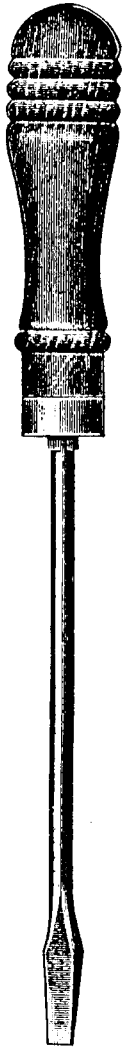


94953

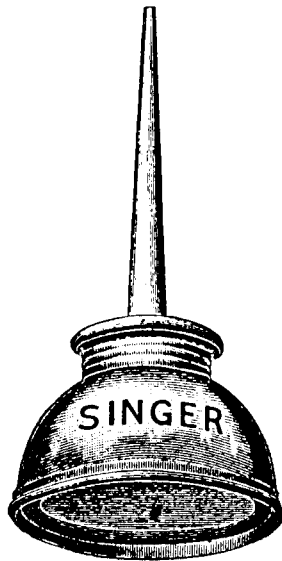




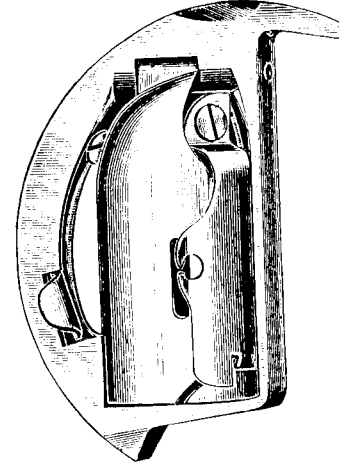
86611



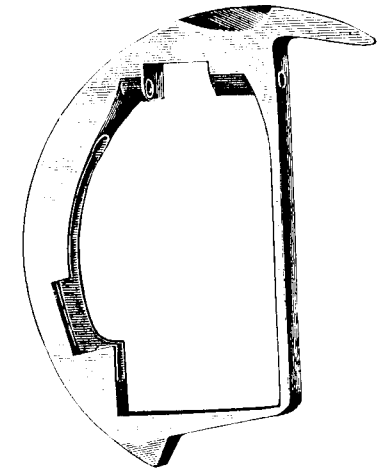
120342



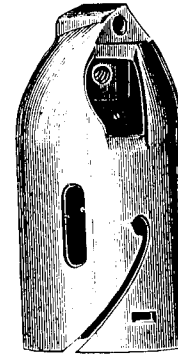
98622
(98623)



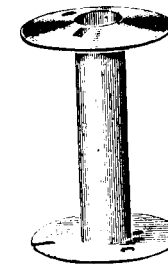
98620



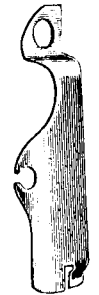
95094



95093



95095



91042



91043

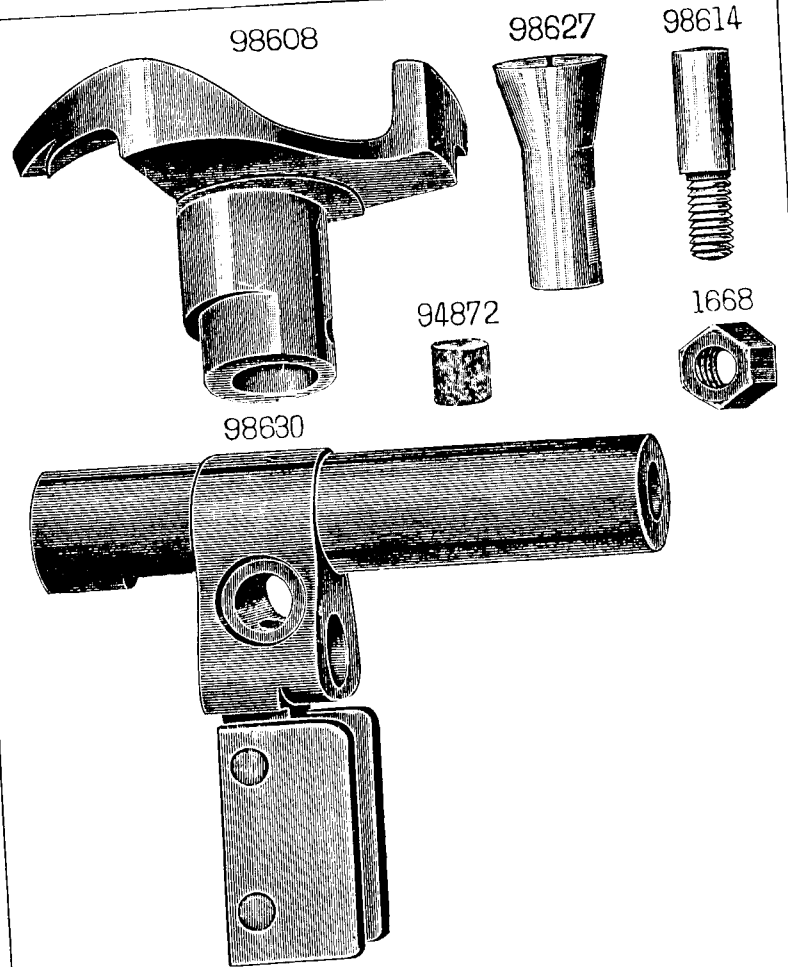
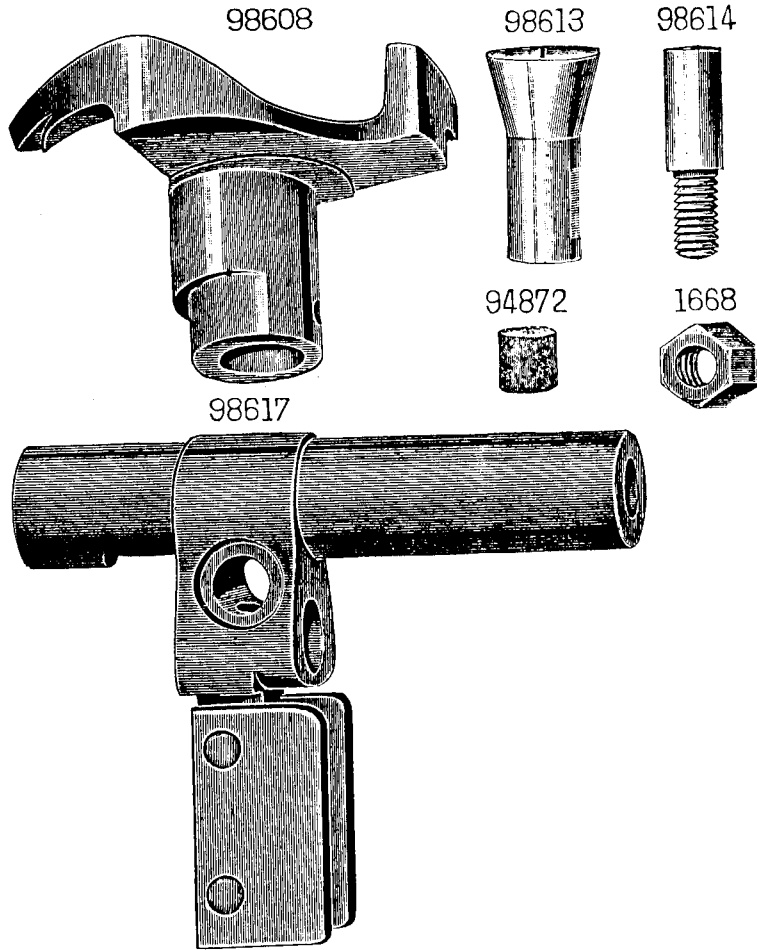


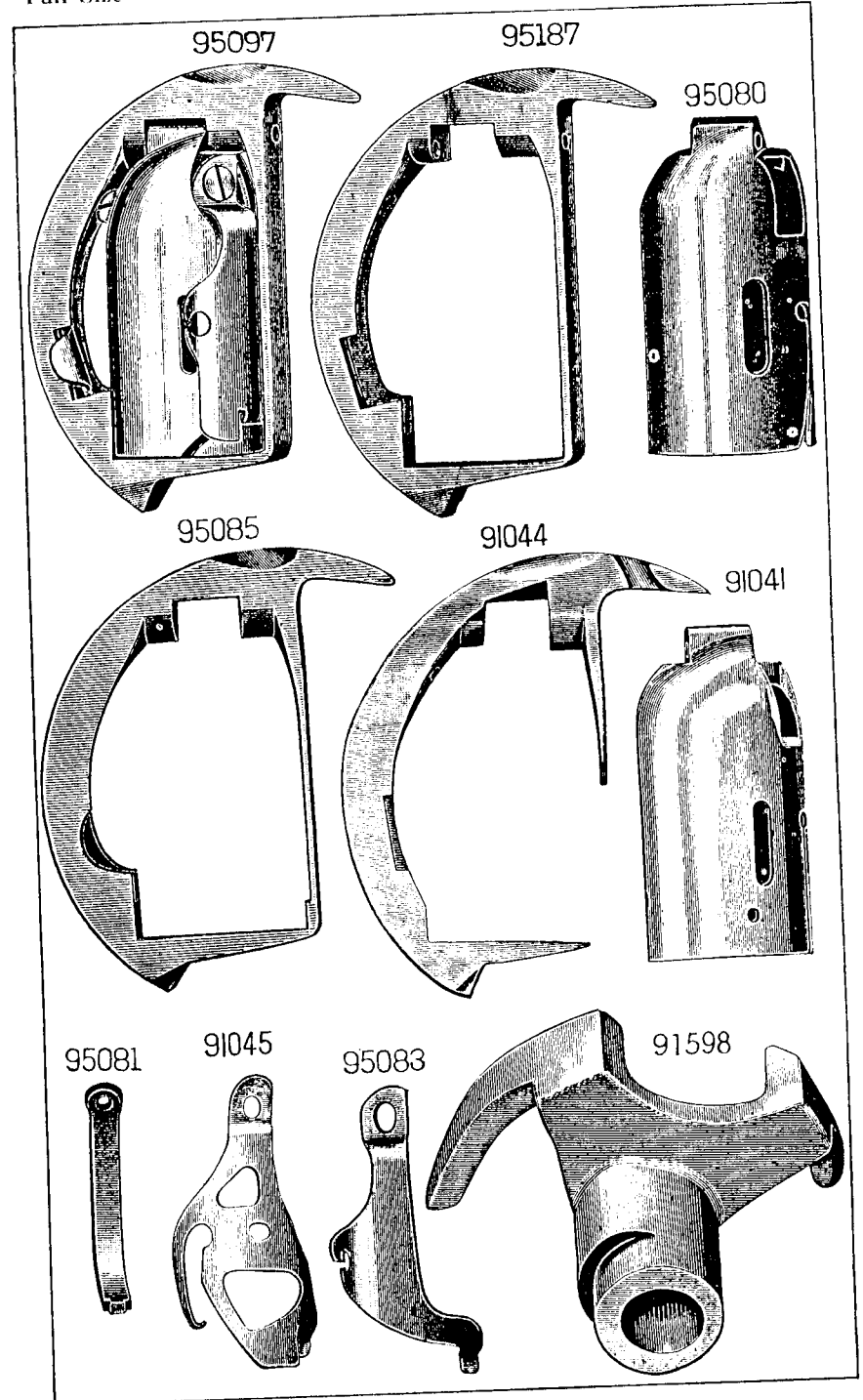
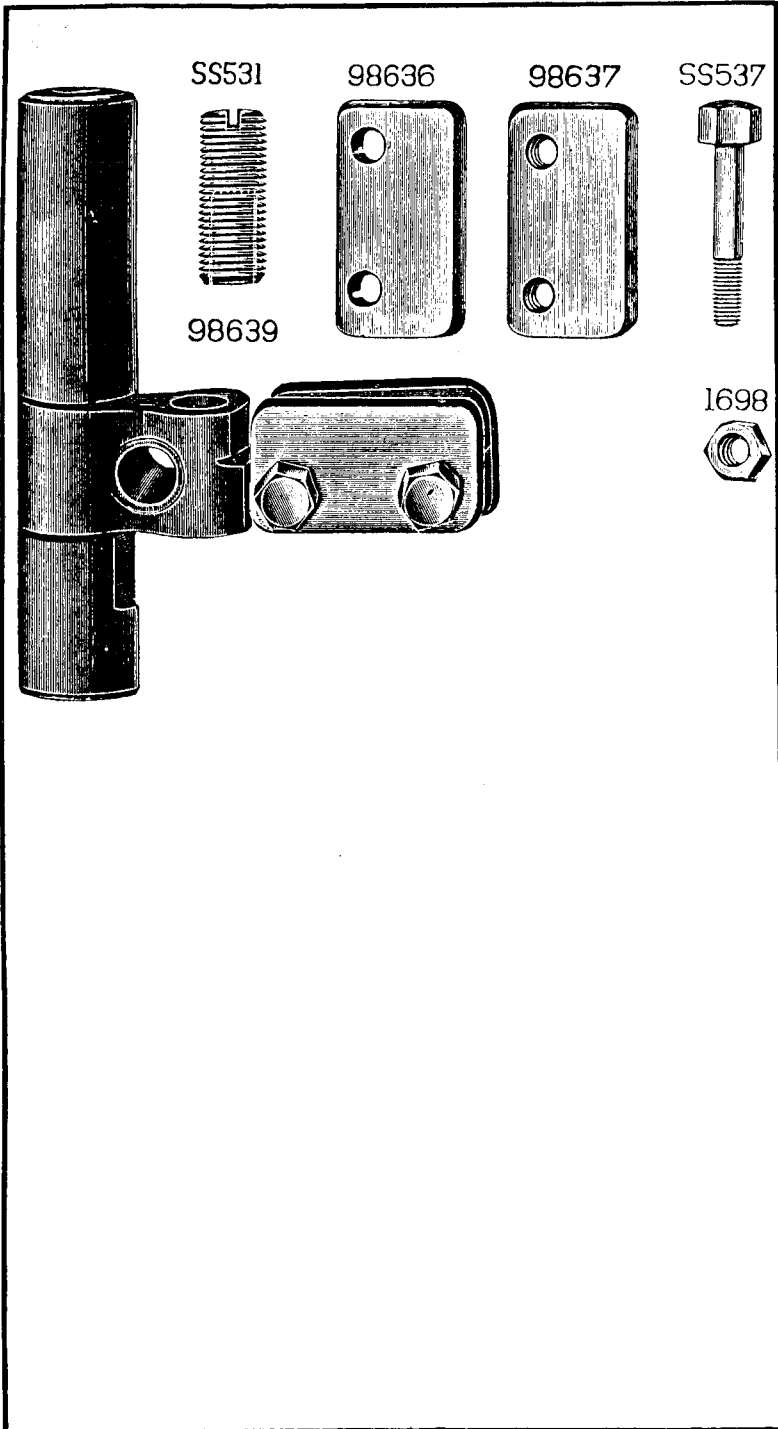
SS377

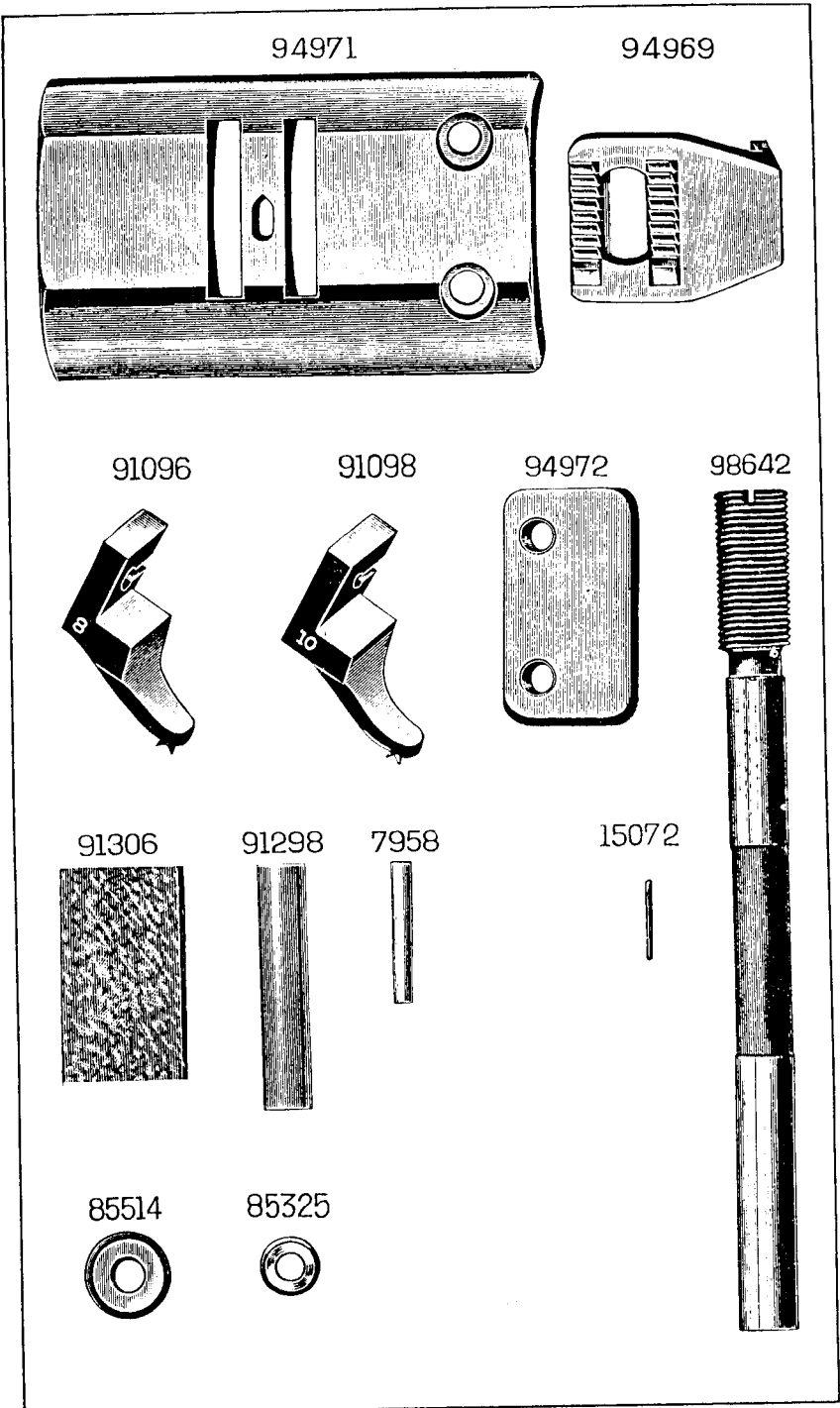
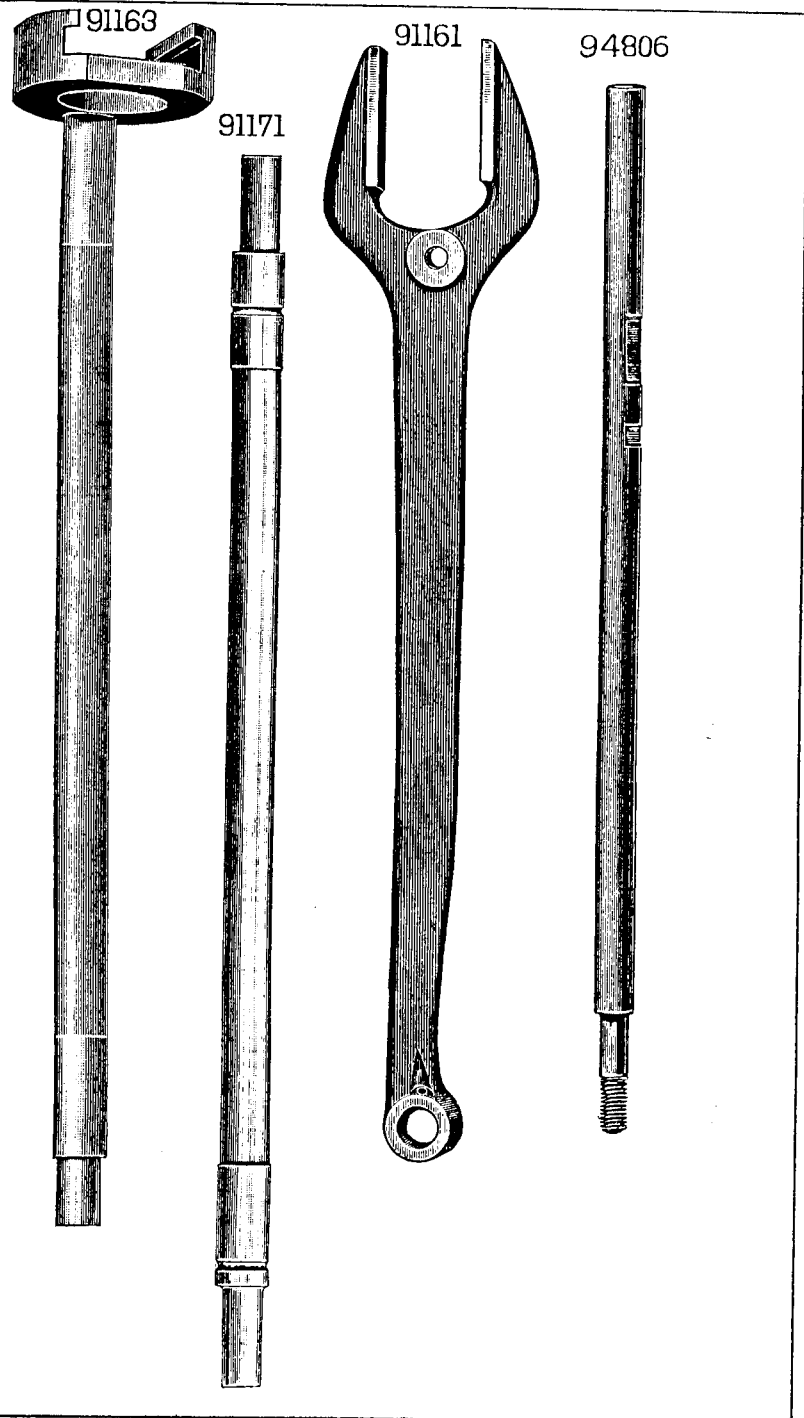


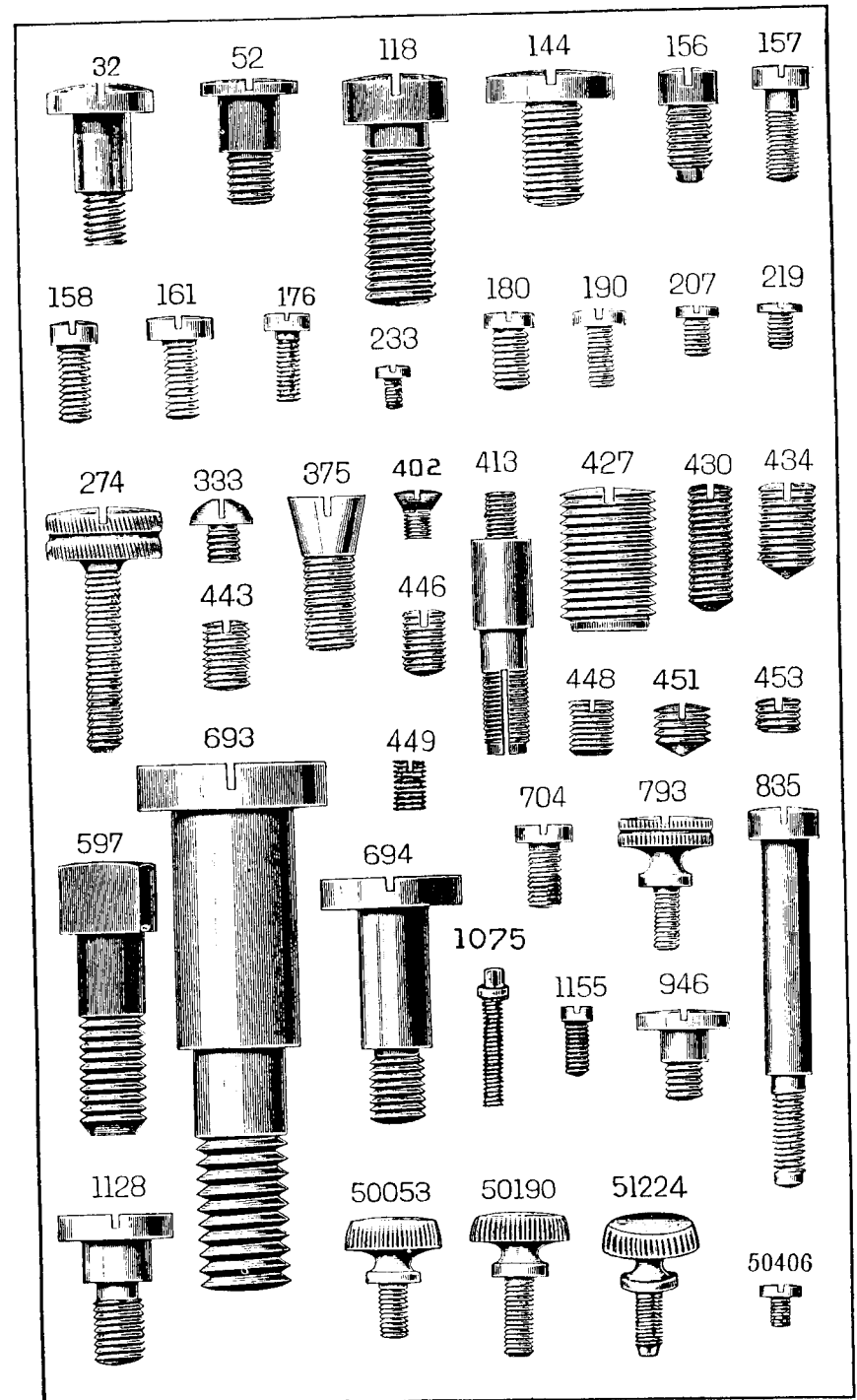
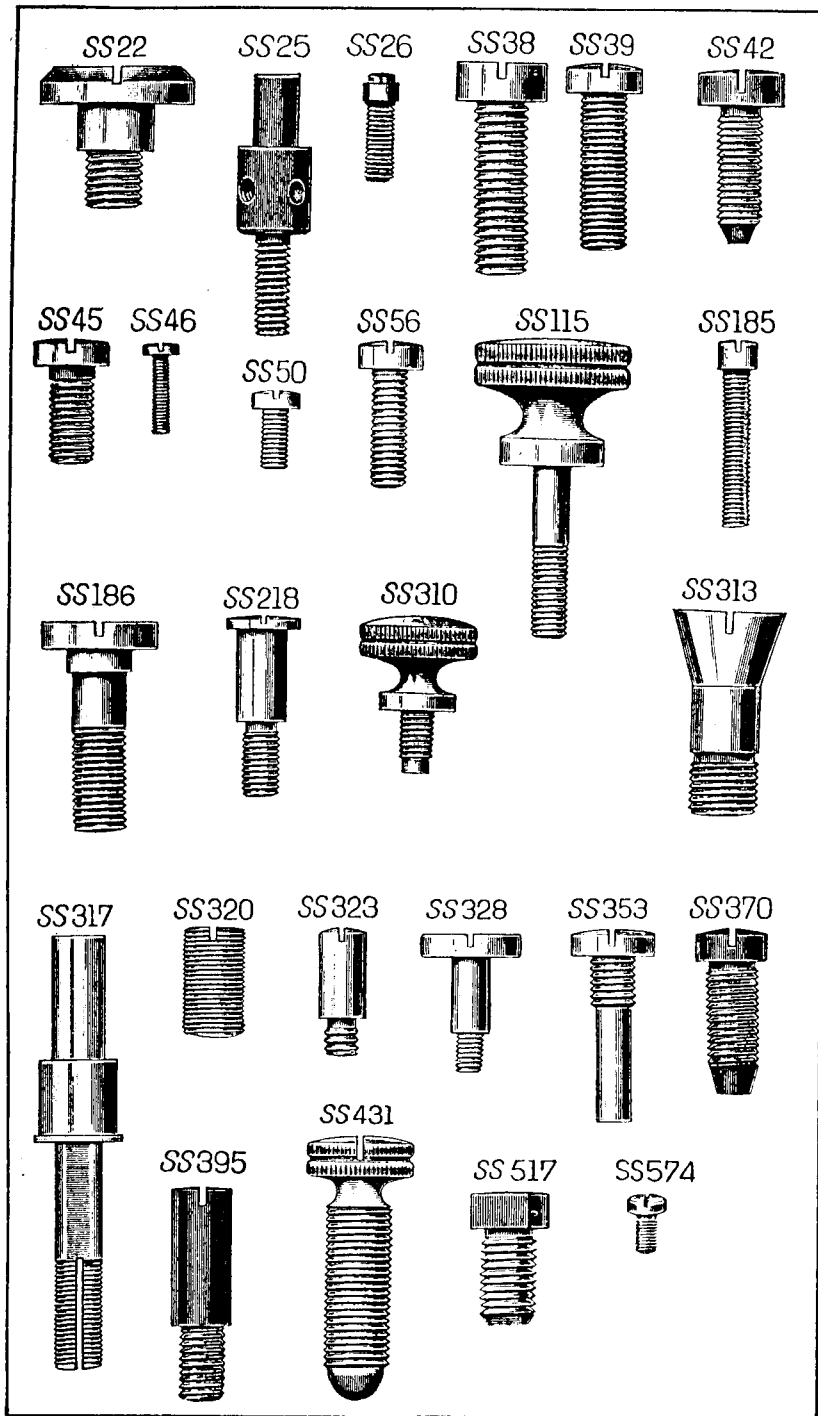
233



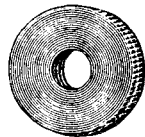








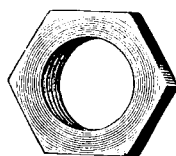
NW21



NW35



1508



1513



1518



1519



1520



1536



1539



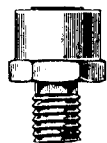
1560



1650



RR24



RR41



1850



CONTENTS

| | Page |
|---|------|
| Parts Complete for No. 45K56 Machine | 53 |
| " Special to No. 45K89 Machine | 61 |
| Accessories | 61 |
| Attachments | 62 |
| Bobbin Winders | 65 |
| Driving Attachment | 67 |
| Foot Lifter | 66 |
| Obsolete Parts | 68 |
| Numerical List of Parts | 71 |

INSTRUCTIONS FOR ORDERING

In ordering from this List, the prefix and affix letters with the part number MUST BE quoted exactly as they are shown in the first column.

A number always indicates the same part in whatever List it may appear, or for whatever machine.

The affix letters (where shown) indicate the style of finish, as follows:—

- A. Hardened, Polished, Nickel Plated and Buffed.
- B. Polished, Nickel Plated and Buffed.
- C. Hardened only.
- D. Polished only.
- E. Soft, Not Polished.
- F. Hardened and Polished.
- G. Bright Rumbled and Nickel Plated.
- H. Blued.
- J. Nickel Plated only.
- K. Hardened and Nickel Plated.
- L. Brass Plated.
- M. Oxidized.
- R. Phosphate Coating Formed on Surface of Iron or Steel.
- S. Cadmium Plated.
- T. Copper Plated.
- U. Zinc Plated.
- V. Silver Plated.
- W. Polished and Nickel Plated.
- X. Black Oxide for Iron and Steel.
- Y. Black Nickel Plated only.
- Z. Chromium Plated.
- A.A. Buffed and Chromium Plated.
- A.B. Hardened, Polished, Buffed and Chromium Plated.
- A.E. Hardened, Bright Rumbled and Nickel Plated.
- A.F. Hardened, Bright Rumbled, Nickel Plated, Bright Rumbled and Chromium Plated.
- A.G. Alumilite (Plain).
- A.H. Alumilite (Dyed). Colour must be stated.
- A.J. Polished, Nickel Plated and Chromium Plated.
- A.K. Hardened, Polished, Nickel Plated and Chromium Plated.
- A.L. Heat Treated for Toughness.
- A.L.D. Heat Treated for Toughness and Polished.
- A.L.X. Heat Treated for Toughness and Black Oxide.
- A.S. Black Moulded Phenolic.
- A.T. Beige Moulded Phenolic.
- A.U. Brown Moulded Phenolic.
- A.W. Hardened then Flame Coated with Tungsten Carbide.
- B.A. Chrome Nickel, Satin Finish.
- B.B. Hardened and Chrome Nickel, Satin Finish.
- C.R. Hardened and Phosphate Coating Formed on Surface of Steel.
- C.U. Hardened and Zinc Plated.
- F.J. Hardened, Polished and Nickel Plated.
- T.A. Hardened, Polished, Copper and Nickel Plated and Buffed.
- T.B. Copper and Nickel Plated and Polished.
- T.J. Copper and Nickel Plated only.
- T.K. Hardened, Copper and Nickel Plated.
- T.L. Copper and Brass Plated.
- T.M. Copper Plated and Oxidized.
- X.C. Hardened and Black Oxide for Iron and Steel.
- Z.A. Hardened, Polished, Nickel Plated, Buffed and Chromium Plated.
- Z.B. Polished, Nickel Plated, Buffed and Chromium Plated.
- Z.C. Hardened and Chromium Plated.
- Z.D. Polished and Chromium Plated.
- Z.G. Bright Rumbled, Nickel Plated, Bright Rumbled and Chromium Plated.
- Z.J. Nickel and Chromium Plated.
- Z.T. Copper and Chromium Plated.

Parts marked with an asterisk () are furnished only when the repairs are made at Factory.*

Parts Complete FOR No. 45K56 Machine (OBSOLETE)

**Cylinder Bed, Drop Feed, Needle Bar Link, Vibrating and Climbing Presser.
For General Saddlery, Bag and Portmanteau, Rubber Heel Work, etc.**

| No. | Plate | | | | | |
|--------|-------|---|-----|-----|-----|-----|
| *91701 | | Arm with 446c, 82499 and 82549 | ... | ... | ... | ... |
| 8582 | 1149 | " Dowel Pin (2) | ... | ... | ... | ... |
| 118c | 2151 | " Screw (3) | ... | ... | ... | ... |
| 91615 | 1063 | Arm Shaft | ... | ... | ... | ... |
| 82499 | 850 | " " Bushing (back) | ... | ... | ... | ... |
| 82549 | 1071 | " " " (front) | ... | ... | ... | ... |
| 446c | 2151 | " " " Set Screw for 82499 | ... | ... | ... | ... |
| 82400 | 851 | " " Oil Tube | ... | ... | ... | ... |
| 144c | 2151 | " " Screw | ... | ... | ... | ... |
| 82402 | 847 | Arm Side Cover | ... | ... | ... | ... |
| 51224d | 2151 | " " " Thumb Screw | ... | ... | ... | ... |
| 82403 | 851 | " Spool Pin | ... | ... | ... | ... |
| *91463 | | Bed (Cylinder) | ... | ... | ... | ... |
| 94801 | 1073 | Crank Connecting Rod with 94802, 94872 and two 158c | ... | ... | ... | ... |
| *94802 | | " " " Cap | ... | ... | ... | ... |
| 94872 | 1699 | " " " Oil Pad | ... | ... | ... | ... |
| 158c | 2151 | " " " Screw | ... | ... | ... | ... |
| 98627 | 1741 | " " " Hinge Stud | ... | ... | ... | ... |
| 98614 | 1699 | " " " " " Cotter Pin | ... | ... | ... | ... |
| 1668c | 1699 | " " " " " " " Nut | ... | ... | ... | ... |

| No. | Plate | | | | | | |
|--------|-------|--|-----|---|-----|-----|--|
| 91574 | 847 | Face Plate | ... | ... | ... | ... | ... |
| SS45d | 2150 | " | " | Screw | ... | ... | ... |
| SS317c | 2150 | " | " | Tension Screw Stud | ... | ... | ... |
| 1560d | 2152 | " | " | " | " | " | Regulating Thumb Nut |
| 446c | 2151 | " | " | " | " | " | Set Screw |
| 82445 | 854 | " | " | " | " | " | Spring |
| 82446 | 854 | " | " | " | " | " | Washer (felt) |
| 82447 | 854 | " | " | " | " | " | (steel) |
| 82448 | 854 | " | " | " | " | " | Wheel |
| 82502 | | " | " | Tension, complete, Nos. SS317c, 1560d, 82445, 82448, two each 82446 and 82447 | ... | ... | ... |
| 82551 | 1071 | " | " | Thread Controlling Lever | ... | ... | ... |
| 82525 | 851 | " | " | " | " | " | Spring |
| 82455 | 851 | " | " | " | " | " | Stop Pin |
| 82450 | 851 | " | " | " | " | " | Eyelet |
| SS50f | 2150 | " | " | " | " | " | Screw |
| 82449 | 851 | " | " | " | " | " | Guard |
| 233d | 2151 | " | " | " | " | " | Screw |
| 2102 | 851 | " | " | " | " | " | Retainer Disc |
| *413c | 2151 | " | " | " | " | " | Screw Stud |
| 33892 | | " | " | " | " | " | 413c with 1560d |
| 1560d | 2152 | " | " | " | " | " | Regulating Thumb Nut |
| 2103 | 850 | " | " | " | " | " | Spring |
| 82503 | | " | " | " | " | " | Retainer, complete, Nos. 2103, 33892 and two 2102 |
| 91575 | | Face Plate, complete, Nos. SS50f, 233d, 416c, 82449, 82450, 82455, 82502, 82503, 82525, 82551 and 91574 | ... | ... | ... | ... | ... |
| 3032 | 850 | Feed Cam with 416c | ... | ... | ... | ... | ... |
| 446c | 2151 | " | " | Set Screw | ... | ... | ... |
| 52165 | 851 | Feed Connecting Link | ... | ... | ... | ... | ... |
| 375c | 2151 | " | " | " | " | " | Hinge Screw (2) |
| 1518c | 2152 | " | " | " | " | " | Nut (2) |
| 91541 | 856 | Feed Dog for Angular Stitch Work | ... | ... | ... | ... | ... |
| 91486 | 828 | " | " | " | " | " | Bag Handle Work |
| 91540 | 865 | " | " | " | " | " | Football Work |
| 91576 | 1075 | " | " | " | " | " | General Work |
| 91538 | 865 | " | " | " | " | " | (single row of teeth, coarse) for Leather Bag, Portmanteau and Motor Lyle Work |
| 94969 | 2149 | " | " | " | " | " | (double row of teeth, coarse) for Leather Bag, Portmanteau and Motor Lyle Work |

| No. | Plate | | | | | | |
|---|-------|--|-----|---|-----|-----|----------------------------|
| 91543 | 857 | Feed Dog (single row of teeth, coarse) for Stitching Rings into Golf Bags | ... | ... | ... | ... | ... |
| 94970 | | " | " | (double row of teeth, fine) for Saddlery Work | ... | ... | ... |
| <i>NOTE. No. 91576 is sent with this machine unless otherwise specified on order.</i> | | | | | | | |
| 91160 | 849 | Feed Dog Carrier | ... | ... | ... | ... | ... |
| 704c | 2151 | " | " | Screw | ... | ... | ... |
| 91161 | 2148 | Feed Forked Connection | ... | ... | ... | ... | ... |
| 375c | 2151 | " | " | " | " | " | Hinge Screw |
| 1518c | 2152 | " | " | " | " | " | Nut |
| 82444 | 852 | Feed Regulator | ... | ... | ... | ... | ... |
| 1128c | 2151 | " | " | " | " | " | Hinge Screw |
| SS145d | 2150 | " | " | " | " | " | Thumb Screw |
| 91163 | 2148 | Feed Rock Shaft | ... | ... | ... | ... | ... |
| 91565 | | " | " | " | " | " | 91163 with 98674 |
| 98674 | 852 | " | " | " | " | " | Crank with 156f and SS517c |
| SS517c | 2150 | " | " | " | " | " | Clamping Screw |
| 156f | 2151 | " | " | " | " | " | Position Screw |
| 91190 | 852 | Guide | ... | ... | ... | ... | ... |
| 793d | 2151 | " | " | " | " | " | Thumb Screw (2) |
| 91611 | | Guide Holder | ... | ... | ... | ... | ... |
| 91603 | | " | " | Bracket | ... | ... | ... |
| 91217 | 1149 | " | " | " | " | " | Hinge Pin |
| 91604 | | " | " | " | " | " | Hinge Lever |
| 9160 | 2151 | " | " | " | " | " | Screw |
| 91612 | 1075 | Guide Holder (Swing), complete, Nos. 946f, 91217, 91603, 91604 and 91611 | ... | ... | ... | ... | ... |
| SS39d | 2150 | " | " | Binding Screw | ... | ... | ... |
| 91739 | 1070 | Lifting Presser Plunger | ... | ... | ... | ... | ... |
| 8575 | 1070 | " | " | " | " | " | Position Pin |
| RR54 | 851 | " | " | " | " | " | Roller |
| SS323f | 2150 | " | " | " | " | " | Screw Stud |
| 91740 | | Lifting Presser Plunger, complete, Nos. RR54, SS323f and 91739 | ... | ... | ... | ... | ... |

| No. | Plate | |
|--|-------|---|
| 82404 | | Machine Pulley (two speeds) with two 434c |
| 91002 | | " " (" ") (heavy) with two 434c |
| 434c | 2151 | " " Set Screw |
| <i>NOTE: - No. 82404 is sent with this machine unless Heavy is specified on order.</i> | | |
| 91580 | 847 | Needle Bar |
| 91022 | 851 | " " Connection with two 158c |
| 158c | 2151 | " " " Clamping Screw |
| 91240 | 850 | " " " Link |
| 375c | 2151 | " " " Hinge Screw |
| 1518c | 2152 | " " " " " Nut |
| 82520 | 852 | Needle Clamp |
| 156f | 2151 | " " Screw |
| 82521 | 852 | " " Thread Eyelet |
| 50406d | 2151 | " " " Screw |
| 82522 | | " " 82520, with 156f, 50406d and 82521 |
| 91796 | 1063 | Oil Box |
| 82459 | 1063 | " " Cover |
| 82460 | 1149 | " " " Hinge Pin |
| 80106 | 1071 | " " " Latch Spring |
| 219f | 2151 | " " " " " Screw |
| 82462 | 1071 | " " " " " Washer |
| 82463 | | " " Oil Pad (cloth) |
| SS50f | 2150 | " " " " Screw |
| 82462 | 1071 | " " " " Washer |
| SS395f | 2150 | " " Stud Screw |
| SS42f | 2150 | " " " " Set Screw |
| 91797 | 1063 | Oil Box , complete, Nos. SS42f, SS50f, 219f, 80106, 82459, 82460, 82463, 91796 and two 82462 |
| 98639 | 2001 | Oscillating Rock Shaft with 98636, 98637, two each SS537e and 1698c |
| 98642 | 2149 | " " " Hinge Pin |
| 1513j | 2152 | " " " " " Nut |
| SS531c | 2001 | " " " " " Screw Bearing |
| 1513j | 2152 | " " " " " Nut |
| 98636 | 2001 | " " " Steel Plate (bottom) |
| 98637 | 2001 | " " " " (top) |
| SS537e | 2001 | " " " " Binding Screw |
| 1698c | 2001 | " " " " " Lock Nut... |

| No. | Plate | |
|--------|-------|---|
| 98641 | | Oscillating Rock Shaft , complete, Nos. 1668c, 98644, 98627 and 98639 |
| 91171 | 2148 | Oscillating Shuttle Shaft |
| 91172 | 849 | " " " Crank with 453c and 1850 |
| 11663 | 852 | " " " " Pin |
| 1850 | 2152 | " " " " Roller and Stud |
| 453c | 2151 | " " " " Set Screw |
| 91806 | 2148 | Presser Bar (round) |
| 91582 | 847 | " " (flat) with 91169 |
| SS185f | 2150 | " " (") Adjusting Screw |
| NN35d | 2152 | " " (") " " Lock Nut |
| 52f | 2151 | " " (") Hinge Screw |
| 91583 | 850 | " " (") Locking Plate |
| SS353d | 2150 | " " (") " " Screw |
| 91595 | 850 | " " (") Lower Guide Bracket with 157f and 91169... |
| 157f | 2151 | " " (") " " " Clamping Screw |
| 91169 | 852 | " " (") " " " Retaining Spring Pin |
| RW41 | 2152 | " " (") " " " Roller Screw and Stud |
| 91113 | 851 | " " (") Retaining Spring |
| 91169 | 852 | " " (") " " Pin |
| 91164 | 851 | " " Automatic Thread Controller with 448c |
| 448c | 2151 | " " " " " Set Screw |
| 91742 | 1070 | Presser Bar Gripping Bracket |
| 91743 | 1070 | " " " " Block |
| 91744 | 1070 | " " " " Retaining Pin |
| 91745 | 1070 | " " " " Grip Lever |
| 430al | 2151 | " " " " " Adjusting Screw |
| 1520r | 2152 | " " " " " " " Nut |
| 91587 | 851 | " " " " " Hinge Pin |
| 91746 | 1070 | " " " " " Retaining Spring |
| 1650c | 2152 | " " " " " Lock Nut |
| NN21d | 2152 | " " " " " Spring Thumb Nut |
| 91747 | | Presser Bar Gripping Bracket , complete, Nos. 430al, 1520r, 91587 and 91742 to 91745 |

| No. | Plate | | | | |
|--------|-------|--|---------------------------------------|---------------|--|
| 91590 | 850 | Presser Bar Lifter | | | |
| SS186d | 2150 | " " " " | Hinge Screw | | |
| 1518e | 2152 | " " " " | " " Nut | | |
| 91591 | 850 | Presser Bar Lifting Bracket | with 443c and 1155e | | |
| 1155e | 2151 | " " " " | Position Screw | | |
| 443c | 2151 | " " " " | Set Screw | | |
| 91697 | 854 | " " " " | Tension Release | | |
| 190f | 2151 | " " " " | " " " " | Binding Screw | |
| 91696 | 851 | " " " " | " " " " | Bracket | |
| 190f | 2151 | " " " " | " " " " | " " Screw | |
| 91699 | | " " " " | 91591 with 91696, 91697 and four 190f | | |
| 91594 | 847 | " " " " | Cam | | |
| 704c | 2151 | " " " " | " " Screw | | |
| SS355e | 850 | " " " " | Screw Bushing | | |
| 91248 | 854 | " " " " | Spring (spiral) | | |
| 8627 | 1073 | " " " " | (flat) | | |
| 91715 | 1073 | Presser Bar Spring (flat) for use with machine when fitted with Foot Lifter | | | |
| 1539d | 2152 | " " " " | Thumb Lock Nut | | |
| 274d | 2151 | " " " " | " " Screw | | |
| 91499 | 828 | Presser Feeding Foot (plain) with serrated toes, for Saddlery, Leather Bag, Portmanteau and Motor Tyre Work | | | |
| 91550 | 854 | Presser Foot (plain) with single toe serrated | | | |
| 91596 | 854 | " " " " (") " " Two toes serrated | | | |
| 91548 | 854 | " " " " with single point and serrated toe to left of needle | | | |
| 91552 | 856 | " " " " for Angular Stitch Work | | | |
| 86142 | 837 | " " " " Bag Handle Work | | | |
| 91554 | 857 | " " " " Stitching Rings into Golf Bags | | | |

NOTE. No. 91550 is sent with this machine unless otherwise specified on order.

| | | | | | |
|-------|-----|--|--|--|--|
| 91092 | --- | Presser Foot Feed Point , $\frac{1}{8}$ " Square Stitch | | | |
| 91093 | --- | " " " " $\frac{1}{8}$ " Twist Stitch | | | |
| 91094 | --- | " " " " $\frac{1}{8}$ " Square Twist | | | |
| 91095 | --- | " " " " $\frac{1}{16}$ " Twist Stitch | | | |

| No. | Plate | | | | |
|-------|-------|--|--|--|--|
| 91096 | 2149 | Presser Foot Feed Point , $\frac{1}{8}$ " Square Stitch | | | |
| 91097 | | " " " " $\frac{1}{8}$ " Twist Stitch | | | |
| 91500 | 828 | " " " " $\frac{1}{8}$ " Square Stitch, with serrated toe, for Saddlery Work | | | |
| 91098 | 2149 | " " " " $\frac{1}{10}$ " Square Stitch | | | |
| 91099 | | " " " " $\frac{1}{10}$ " Twist Stitch | | | |
| 91501 | 828 | " " " " $\frac{1}{10}$ " Square Stitch, with serrated toe, for Saddlery Work | | | |
| 91100 | | " " " " $\frac{1}{12}$ " Square Stitch | | | |
| 91101 | | " " " " $\frac{1}{12}$ " Twist Stitch | | | |
| 91502 | 828 | " " " " $\frac{1}{12}$ " Square Stitch, with serrated toe, for Saddlery Work | | | |
| 91102 | | " " " " $\frac{1}{11}$ " Square Stitch | | | |
| 91103 | | " " " " $\frac{1}{11}$ " Twist Stitch | | | |

NOTE. Presser Foot Feed Points may be used with this machine, but are only supplied when specified on order and at an extra charge.

| | | | | | |
|--------|------|---|--|--|--|
| 50190d | 2151 | Presser Foot Thumb Screw | | | |
| 95093 | 1695 | Shuttle Bobbin | | | |
| 95094 | 1695 | " Cylinder | | | |
| 91042 | 1695 | " " Hinge Pin | | | |
| 91043 | 1695 | " " Latch Spring | | | |
| SS574d | 2150 | " " " " " Screw | | | |
| 98620 | 1695 | " Frame | | | |
| 95095 | 1695 | " Tension Spring | | | |
| SS377f | 1695 | " " " " Adjusting Screw | | | |
| 98623 | 1695 | Shuttle (Cylinder) $2\frac{1}{2}$ " diam., complete, Nos. SS377f, SS574d, 91042, 91043, 95093 to 95095 and 98620 | | | |
| 98608 | 1699 | Shuttle Driver and Feed Raising Cam | | | |
| 11663 | 852 | " " " Pin | | | |

NOTE. Shuttle Driver No. 98608 must be used in conjunction with Shuttle No. 98623 and vice versa. These new parts are not interchangeable with the old.

| | | | | | |
|--------|------|---------------------------------|--|--|--|
| 91451 | 827 | Shuttle Race (cast iron) | | | |
| 91315 | 849 | " " Cap Spring | | | |
| SS218d | 2150 | " " " " " Screw | | | |
| 91452 | 827 | " " Cover | | | |

No. 45K56 MACHINE PARTS

| No. | Plate | | | | |
|--------|-------|---|--|-----|-----|
| 91430 | 849 | Shuttle Race | Ring | ... | ... |
| SS318e | 849 | " | " " " Position Screw Stud (2) | ... | ... |
| 91709 | - | Thread Take-up Cam | with SS320c and SS370c | ... | ... |
| SS320c | 2150 | " | " " " Set Screw | ... | ... |
| SS370c | 2150 | " | " " " Timing Screw | ... | ... |
| 91710 | 1071 | " | " " " 91709 with 91594 and two 704c | ... | ... |
| 91505 | - | Thread Take-up Lever | | ... | ... |
| SS22f | 2150 | " | " " " Hinge Screw | ... | ... |
| 92814 | 1071 | " | " " " Roller | ... | ... |
| SS328e | 2150 | " | " " " " Screw | ... | ... |
| RR24 | 2152 | " | " " " " and Stud | ... | ... |
| 1519e | 2152 | " | " " " " " " Nut | ... | ... |
| 91507 | 850 | Thread Take-up Lever , complete, Nos. RR24, SS328e, 1519e, 91505 and 92814 | | ... | ... |
| 91557 | 856 | Throat Plate for 91541 | | ... | ... |
| 91508 | 828 | " | " " " 91486 and 91538 | ... | ... |
| 91555 | 865 | " | " " (short) for 91540 | ... | ... |
| 91556 | 865 | " | " " (long) for 91540 | ... | ... |
| 91601 | 1075 | " | " " for 91576 | ... | ... |
| 94974 | - | " | " " (fine needle hole) for 94969 and 94970 | ... | ... |
| 94971 | 2149 | " | " " (coarse needle hole) for 94969 and 94970 | ... | ... |
| 91559 | - | " | " " for 91561 | ... | ... |
| *91560 | - | " | " " Raised Plate for 91561 | ... | ... |
| 190c | 2151 | " | " " " " Screw for 91561 | ... | ... |
| 91561 | 857 | " | " " complete, Nos. 91559, 91560 and two 190c for | ... | ... |
| 180f | 2151 | " | " " " " Screw (2) | ... | ... |

NOTE.—No. 91601 is sent with this machine unless otherwise specified on order.

| | | | | | |
|-------|------|--|-----------------------|-----|-----|
| 94890 | - | Work Plate for all Throat Plates except 91508 and 91555 | ... | ... | ... |
| 94968 | - | " | " " " 91508 and 91555 | ... | ... |
| SS39d | 2150 | " | " " " Screw | ... | ... |

NOTE.—No. 94890 or 94968 is supplied only when specified on order and at an extra charge.

Parts Special TO No. 45K89 Machine

Cylinder Bed, Reversible Drop Feed, Needle Bar Link, Vibrating and Climbing Presser. For General Saddlery, Bag and Portmanteau, Rubber Heel Work, etc.

This Machine is the same as 45K56, with the following exceptions:

| No. | Plate | | | | |
|--------|-------|---------------------------------------|-----------------------|-----|-----|
| *94951 | - | Arm with 446c, 82499 and 82549 | ... | ... | ... |
| 94952 | 1149 | Feed Dog | | ... | ... |
| 94953 | 1150 | Feed Forked Connection | | ... | ... |
| 94954 | 1149 | Feed Regulator and Reverser | | ... | ... |
| 12333 | 1149 | " | " " Handle | ... | ... |
| 12323 | 1149 | " | " " " Friction Spring | ... | ... |
| 835d | 2151 | " | " " " Screw | ... | ... |
| SS431e | 2150 | Feed Regulating Thumb Screw | | ... | ... |
| 1516e | 1149 | " | " " " " Nut | ... | ... |
| 94955 | 1149 | Throat Plate | | ... | ... |
| 94968 | - | Work Plate | | ... | ... |

NOTE.—No. 94968 is supplied only when specified on order, and at an extra charge.

Accessories

| | | | | | |
|--------|------|--------------------------------------|-----|-----|-----|
| 51077c | 849 | Instruction Book | ... | ... | ... |
| 6055 | 849 | Machine Bolt with 1524c, 3" x 1" (1) | ... | ... | ... |
| | | " " Washer (4) | ... | ... | ... |
| | | Needles (6) | ... | ... | ... |
| 120342 | 1600 | Oiler | ... | ... | ... |
| 86611 | 1600 | Screw Driver (large) | ... | ... | ... |
| 120378 | 1149 | Screw Driver (shuttle tension) | ... | ... | ... |
| 95093 | 1695 | Shuttle Bobbin (2) | ... | ... | ... |
| 8908 | 1149 | Wrench | ... | ... | ... |

Attachments

ATTACHMENT FOR SADDLERY WORK

| No. | Plate | |
|--------------|-------|--|
| 85749 | 176 | Base |
| 85750 | 176 | " Spring |
| 85751 | 176 | " " Regulator with SS310d |
| SS310d | 2150 | " " " Thumb Screw |
| 207d | 2151 | " " Screw |
| 85325 | 2149 | " " " Washer |
| 85752 | 176 | Binder only, complete, Nos. 207d, 85325 and 85749 to 85751 |
| 85822 | 176 | Combination Guide |
| 85823 | 176 | " " Base |
| 161d | 2151 | " " Screw |
| 85514 | 2149 | " " " Washer |
| 85824 | 176 | Combination Guide, complete, Nos. 161d, 85514, 85822 and 85823 |
| 85535 | 176 | Presser Foot |
| 85829 | 176 | Saddlery Attachment , complete, Nos. 85535, 85752 and 85824 |

ATTACHMENT FOR STITCHING BAG HANDLES

(Rope Inserted).

| No. | Plate | |
|--------------|-------|---|
| 86264 | 842 | Feed Dog |
| 86265 | 842 | Guide |
| 86266 | 842 | " Spring |
| 703d | 842 | " Thumb Screw |
| 86267 | 842 | Presser Foot |
| 86268 | 842 | Throat Plate |
| 86269 | 842 | " " Guide |
| 793d | 2151 | " " " Thumb Screw |
| 86270 | 842 | Throat Plate 86268 with 86269 and two 793d |
| 86271 | 842 | Attachment , complete, Nos. 86264 to 86267, 86270 and two 703d |

BINDER (ADJUSTABLE) FOR LEATHER AND MOTOR CAR HOOD BINDING

| No. | Plate | |
|--------------|-------|--|
| 86202 | 860 | Base |
| 86203 | 860 | Guide (top) |
| 86204 | | " (bottom) with 1075c |
| 1075c | 2151 | " (") Screw Stud |
| 1536d | 2152 | " Regulating Thumb Nut |
| 86205 | 860 | Binder only, complete, Nos. 1536d and 86202 to 86204 |
| 91552 | 860 | Presser Foot |
| 86284 | 860 | Binder , complete, Nos. 86205 and 91552 |

BINDER (ADJUSTABLE) FOR HORSE RUGS

| No. | Plate | |
|--------------|-------|---|
| 86209 | 845 | Base and Folder with SS25d |
| 86210 | 845 | " Guide Wire |
| 50053d | 2151 | " " " Thumb Screw |
| SS25d | 2150 | " Screw Stud |
| 86211 | 845 | Guide (top) |
| XX19d | 845 | " Thumb Nut |
| 85514 | 2149 | " " " Washer |
| 86212 | 845 | Binder only, complete, Nos. XX19d, 50053d, 85514 and 86209 to 86211 |
| 86278 | 845 | Feed Dog |
| 86207 | 845 | Presser Foot |
| 86280 | 845 | Throat Plate |
| 86282 | 845 | Binder , complete, Nos. 86207, 86212, 86278 and 86280 |

WELTING ATTACHMENT FOR BAGS, PORTMANTEAUX, Etc.

| No. | Plate | |
|--------------|-------|---|
| 86138 | 837 | Guide (plain) |
| 86139 | | Base |
| 86140 | | Adjusting Guide |
| 233d | 2151 | " " Screw |
| 86141 | 837 | Welting Guide, complete, Nos. 233d, 86139 and 86140 |
| 86142 | 837 | Presser Foot |
| 86143 | 837 | Welting Attachment , complete, Nos. 86138, 86141 and 86142 |

WELTING ATTACHMENT FOR CARRIAGE CUSHIONS

| No. | Plate | |
|--------|-------|--|
| 85495 | | Base and Folder |
| 85496 | | Top Guide |
| 50053d | 2151 | " " Thumb Screw |
| 85497 | 836 | Welter only, complete, Nos. 50053d, 85495 and 85496 |
| 86144 | 836 | Presser Foot (grooved for cord) |
| 86145 | 836 | Welting Attachment , complete, Nos. 85497 and 86144 |

WELTING ATTACHMENT (ADJUSTABLE) FOR CARRIAGE CUSHIONS

| No. | Plate | |
|-------|-------|---|
| 86214 | 859 | Welter Base Guide |
| 86215 | 859 | " Braid Guide with SS26e |
| 207d | 2151 | " " " Screw |
| 85325 | 2149 | " " " Washer |
| SS26e | 2150 | " " " Stud |
| NX44d | 859 | " " " Thumb Nut |
| 86216 | 859 | " Cord Guide |
| 449e | 2151 | " " " Set Screw |
| 86217 | 859 | Welter only, complete, Nos. NX44d, 207d, 449e, 85325 and 86214 to 86216 |
| 86144 | 836 | Presser Foot (grooved for cord) |
| 86285 | 859 | Welting Attachment , complete, Nos. 86144 and 86217 |

WELTING ATTACHMENT FOR LEATHER BAGS, PORTMANTEAUX, Etc.

| No. | Plate | |
|-------|-------|---|
| 86286 | 859 | Welt Guide |
| 86287 | 859 | " " Base |
| 703d | 859 | " " Thumb Screw |
| 91547 | 859 | Presser Foot |
| 86288 | 859 | Welting Attachment , complete, Nos. 86286, 86287, 91547 and two 703d |

WELTING ATTACHMENT FOR HEAVY BOOTS

| No. | Plate | |
|-------|-------|---|
| 91552 | 860 | Presser Foot |
| 86135 | 860 | Guide (plain) |
| 86127 | 860 | Welt Guide |
| 86289 | 860 | Welting Attachment , complete, Nos. 86127, 86135 and 91552 |

Bobbin Winders

BOBBIN WINDER (FRICTION) FOR FAST WHEEL MACHINES

| No. | Plate | |
|-------|-------|--|
| 82527 | 838 | Bracket |
| SS56d | 2150 | " Screw |
| 82528 | 838 | Frame |
| 32d | 2151 | " Hinge Screw |
| 5960 | 1076 | Friction Wheel (leather) |
| 5961 | 1076 | " " Washer |
| 333r | 2151 | " " " Screw |
| 91446 | 838 | Spindle with 15072 |
| 15072 | 2149 | " Bobbin Position Pin |
| 5963 | 1076 | " Flange |
| 91447 | 838 | Frame, complete, Nos. 333r, 5960, 5961, 5963, 82528 and 91446 |
| 82537 | 838 | Spring |
| 161d | 2151 | " Screw |
| 82538 | 838 | " " Washer |
| 91448 | | Bobbin Winder , complete, Nos. 32d, 161d, 82527, 82537, 82538 and 91447 |

NOTE: No. 91448 is supplied with these machines unless otherwise specified on order.

BOBBIN WINDER (FRICTION) FOR MACHINE WITH DRIVING ATTACHMENT

This Bobbin Winder is the same as 91448 with the following exceptions:

| No. | Plate | |
|-------|-------|--|
| 91476 | 838 | Bracket |
| 91477 | | Bobbin Winder , complete, Nos. 32d, 161d, 82537, 82538, 91447 and 91476 |

BOBBIN WINDER (SWINGING AUTOMATIC, RIGHT HAND) FOR 95093

| No. | Plate | |
|--------|-------|------------------------------|
| 27540 | 1487 | Base |
| | | " Screw (wood) 1" No. 7 R.H. |
| 27302 | 1487 | Frame |
| 50356b | 1487 | " Hinge Screw |
| 1620j | 1487 | " " " Nut |
| 27303 | 1487 | " Spring |
| 27541 | 1487 | Pulley |
| 98673 | 1487 | Spindle with 15072 |
| 15072 | 2149 | " Bobbin Position Pin |

BOBBIN WINDERS

| No. | Plate | |
|--------|-------|---|
| 27306 | 1488 | Spool Pin |
| 27307 | 1488 | " Stand |
| †27308 | " | " " 27307 with 118d, 1562j, 2106, 10111, 27306, two each 2155 and wood screws 1" No. 10 |

†As No. 27308 can be supplied either Plated or Japanned, it is necessary, when ordering, to state which is required.

| | | |
|-------|------|--|
| 95197 | 1487 | Stop Latch |
| 35d | 1487 | " " Hinge Screw |
| 2155 | 1188 | Tension Disc |
| 1562j | 1188 | " Regulating Thumb Nut |
| 118d | 1488 | " Screw Stud |
| 10111 | 1488 | " Spring |
| 2106 | 1488 | Thread Guide |
| 95198 | 1488 | Bobbin Winder, Nos. 35d, 1620j, 27302, 27303, 27510, 27511, 50356b, 95197, 98673 and two wood screws 1" No. 7 R.H. |
| 95199 | | Bobbin Winder , complete, Nos. 27308 and 95198 |

Foot Lifter

| No. | Plate | |
|--------------|-------|--|
| 91716 | 1063 | Arm Lever |
| 694d | 2151 | " " Hinge Screw |
| 91457 | 755 | Foot Lever with 176e |
| 91459 | 755 | " " Bracket |
| 17881 | 755 | " " " Hinge Pin |
| | | " " " Screw (wood), 1" No. 12 |
| 91458 | 755 | " " Extension |
| 176e | 2151 | " " " Set Screw |
| 98626 | 755 | " " Spring |
| 91454 | | Foot Lever only, complete, Nos. 17881, 91457 to 91459, 98626 and two wood screws 1" No. 12 |
| 17877 | 755 | Foot Lever Pitman Rod (lower) |
| 17878 | 755 | " " " " (upper) |
| 17879 | 755 | " " " " Clamp with two 161d |
| 161d | 2151 | " " " " " Screw |
| 17880 | 755 | Foot Lever Pitman Rod, complete, Nos. 17877 to 17879 |
| 91453 | 755 | " " " " Connecting Hook (7" long) |
| 91455 | | Foot Lever, complete, Nos. 17880 and 91451 |
| 91456 | | Foot Lifter , complete, Nos. 694d, 91453, 91455 and 91716 |

Driving Attachment

| No. | Plate | |
|--------------|-------|---|
| 91473 | 861 | Balance Wheel with 434c, 451c, 91475 and four 102e |
| 91474 | 861 | " " Friction Pulley (two-speeds) with 448c and 91291 |
| 91291 | 861 | " " " " Centre Bearing |
| 91475 | 861 | " " " " Ring (cardboard) |
| 102e | 2151 | " " " " " Screw |
| 448c | 2151 | " " " " " Set Screw |
| 434c | 2151 | " " " " " Set Screw (long) |
| 451c | 2151 | " " " " " (short) |
| 91301 | 861 | Lever, with 7958 and 91306 |
| 91302 | 861 | " Bracket |
| SS38c | 2150 | " " Screw |
| 91303 | 861 | " Centre Plug (wood) |
| 427c | 2151 | " " " Adjusting Screw |
| 1508c | 2152 | " " " " " Nut |
| 91306 | 2149 | " Friction Pad (leather) |
| 693d | 2151 | " Hinge Screw |
| NN28c | 861 | " " " Nut |
| 91307 | 861 | " Spring |
| 161d | 2151 | " " Screw |
| 7958 | 2149 | " " " Pin |
| 91309 | | Lever, complete, Nos. NN28c, 161d, 427c, 693d, 1508c, 91301 to 91303, 91307 and two SS38c |
| 84275 | | Shaft Pulley (sectional, grooved), 10" diam., with two 597c |
| 597c | 2151 | " " Clamping Screw |
| 91296 | 755 | Starting Lever |
| 91297 | 755 | " " Bracket |
| 91298 | 2149 | " " " Hinge Pin |
| | | " " " " Screw (wood) 1 1/4" No. 15 |
| 91299 | 755 | Starting Lever, Nos. 91296 to 91298 and three wood screws 1 1/4" No. 15 |
| 17877 | 755 | Starting Lever Pitman Rod (lower) |
| 17878 | 755 | " " " " (upper) |
| 17879 | 755 | " " " " Clamp with two 161d |
| 161d | 2151 | " " " " " Screw |
| 17880 | 755 | Starting Lever Pitman Rod, complete, Nos. 17877 to 17879 |
| 91460 | | Starting Lever and Pitman, complete, Nos. 17880 and 91299 |
| 91478 | | Driving Attachment , complete, Nos. 84275, 91309, 91460, 91473 and 91474 |

Obsolete Parts

FOR

No. 45K56 Machine

| No. | Plate | |
|--------|-------|--|
| 91408 | 847 | Arm Shaft |
| 82399 | 847 | " " Bushing (front) |
| 91317 | 847 | Crank Connecting Rod with 91005, 94872 and two E58c |
| *91005 | - | " " " " Cap |
| SS313c | 2150 | " " " " Hinge Screw |
| SS45d | 2150 | " " " " Set Screw |
| 91577 | 851 | Lifting Presser Plunger |
| 91579 | - | Lifting Presser Plunger, complete, Nos. 8K54, SS323f and 91577 |
| 91440 | 849 | Oscillating Rock Shaft with 91025, 94972 and two 91026 |
| 98617 | 1699 | " " " " 91025, 94972 and two 91026 |
| 98630 | 1741 | " " " " 91025, 94972 and two 91026 |
| 91025 | 1070 | " " " " Steel Plate (bottom) |
| 94972 | 2149 | " " " " " (top) |
| 91026 | 1070 | " " " " " Rivet |
| 91584 | 851 | Presser Bar Gripping Bracket |
| 91585 | 851 | " " " " Grip Collar |
| 91586 | 851 | " " " " " Layer |
| 91692 | - | " " " " 91584 with 575c, T520f, 91586 and 91587 |
| 91588 | 851 | " " " " Grip Retaining Spring |
| 91592 | 850 | " " Lifting Bracket Tension Release |
| 91593 | - | " " " " 91591 with 91592 and two 490f |
| 82430 | 851 | " " Spring |
| 91041 | 2147 | Shuttle Cylinder |
| 91044 | 2147 | " Frame |
| 91045 | 2147 | " Tension Spring |
| SS46f | 2150 | " " " Adjusting Screw |
| 95080 | 2147 | " Cylinder |
| 95081 | 2147 | " " Latch Spring |
| 233f | 2151 | " " " " Screw |
| 95085 | 2147 | " Frame |
| 95083 | 2147 | " Tension Spring |
| 95187 | 2147 | " Frame |
| 95097 | 2147 | Shuttle (Cylinder) 2½" diam., complete, Nos. 233f, SS377f, 91042, 91043, 95093 to 95095 and 95187 |

| No. | Plate | |
|-------|-------|-------------------------------------|
| 91173 | - | Shuttle Driver and Feed Raising Cam |
| 91598 | 2147 | " " " " " " " " " " " " |

NOTE. Obsolete Shuttle, Shuttle parts and Shuttle Drivers are not interchangeable with the new style parts, and No. 95091 must be used in conjunction with No. 91598.

| | | |
|-------|-----|--|
| 82543 | 851 | Thread Controlling Lever |
| 91599 | - | Thread Take-up Cam with SS320c and 4065c |
| 91600 | 847 | " " " " 91599 with 91594 and two 701c |