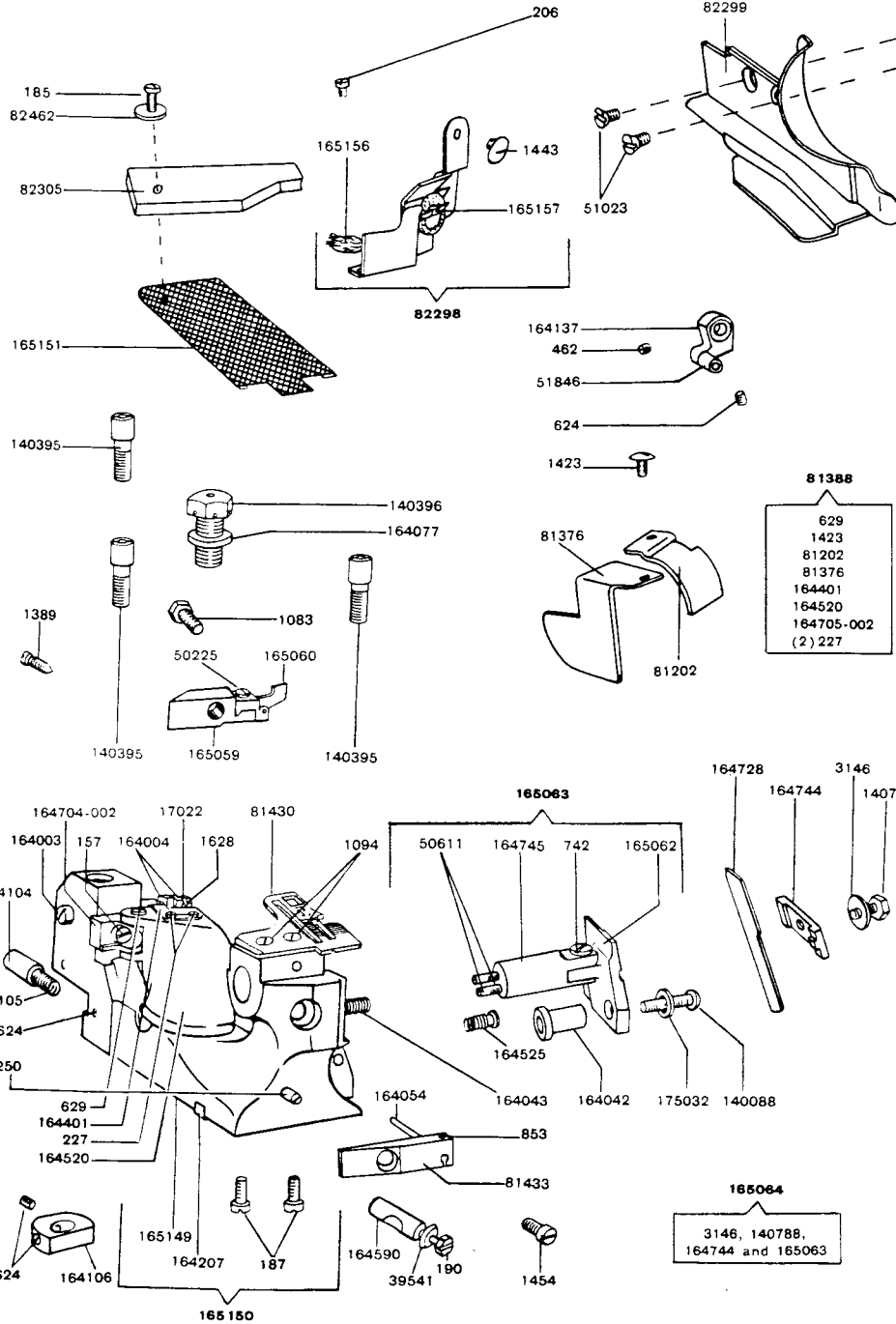
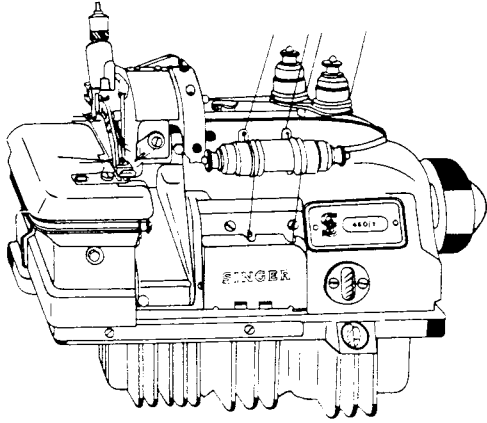


SINGER
460/21

SINGER 460/21



164705-002
164704-002, 164023

82276

50060, 82258, 82259, 82274, 82281, 164137, 164139, 164142, 164143, 164194, 164814, 164815, 164884, (2) 50318

82273-002

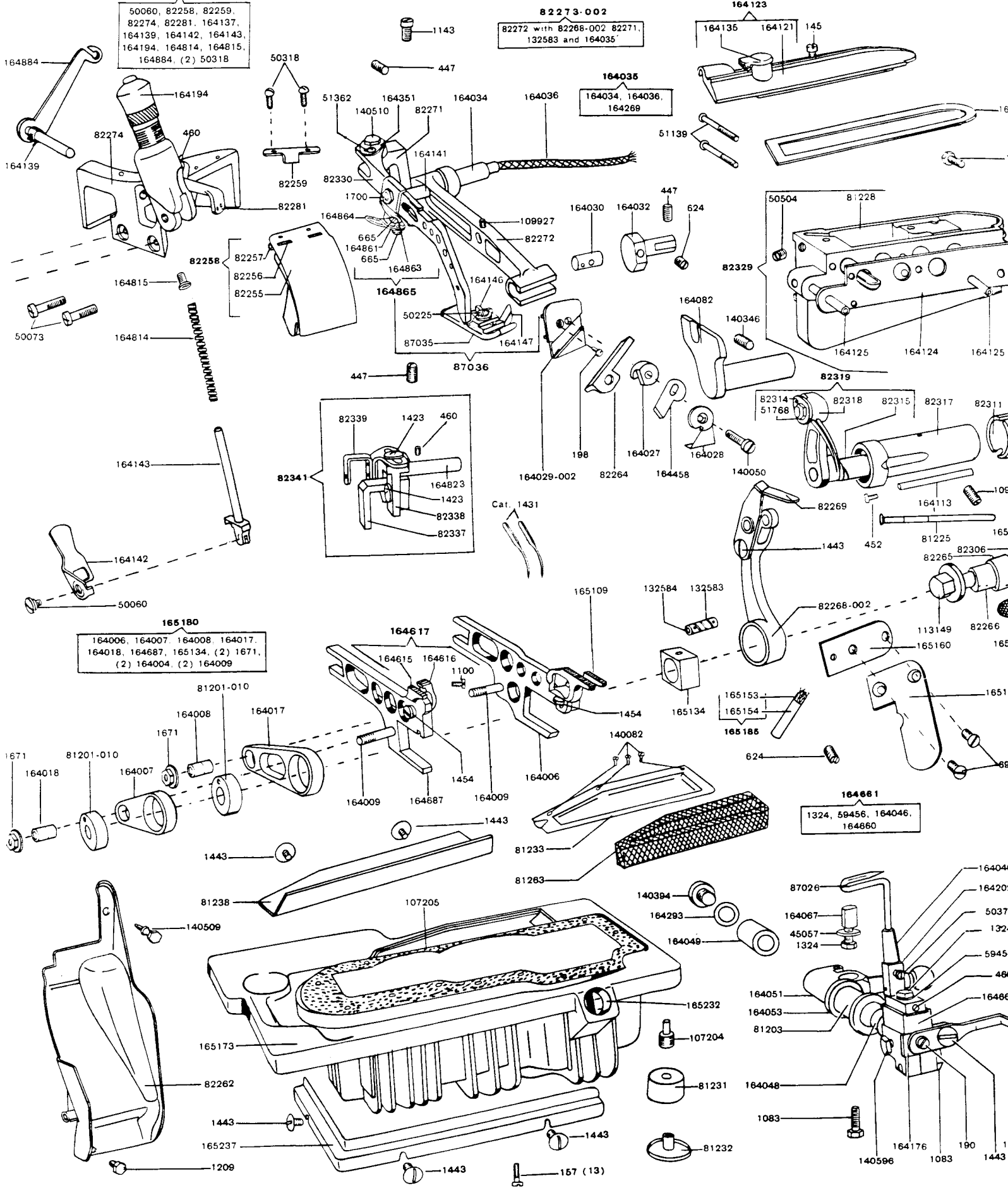
82272 with 82268-002 82271, 132583 and 164035

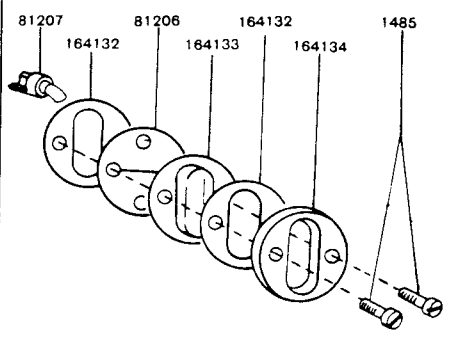
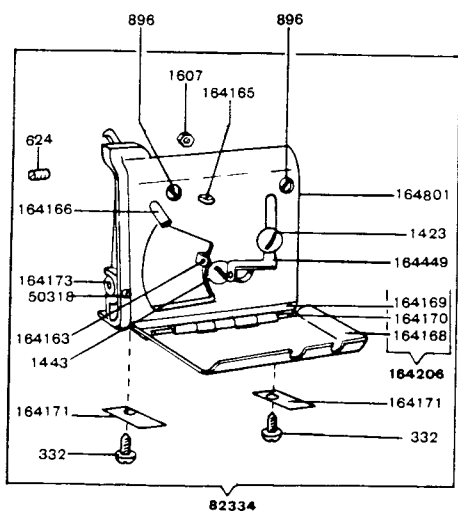
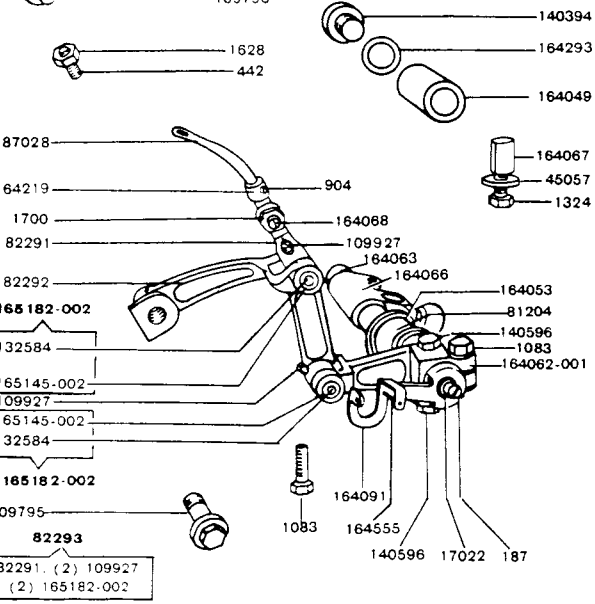
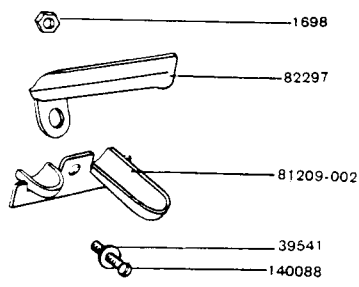
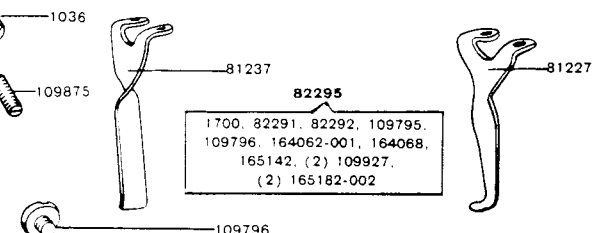
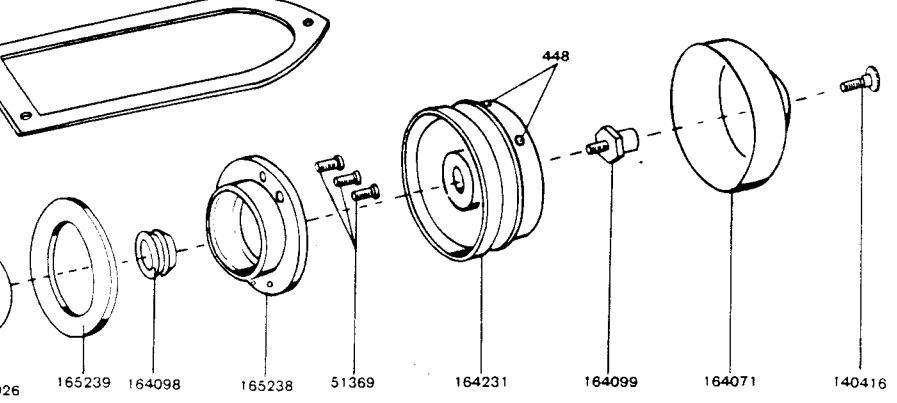
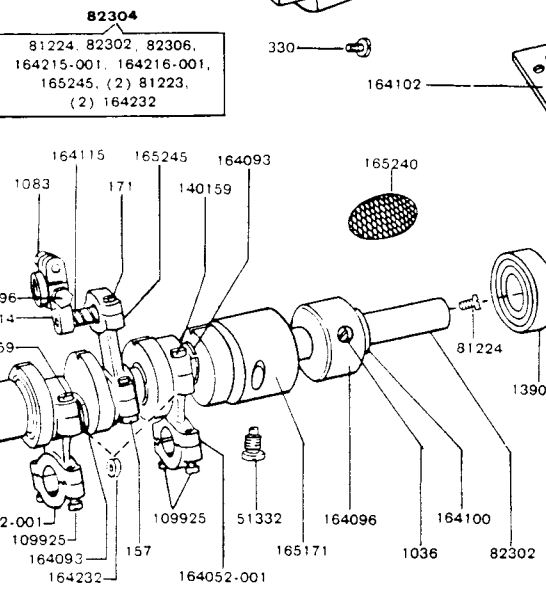
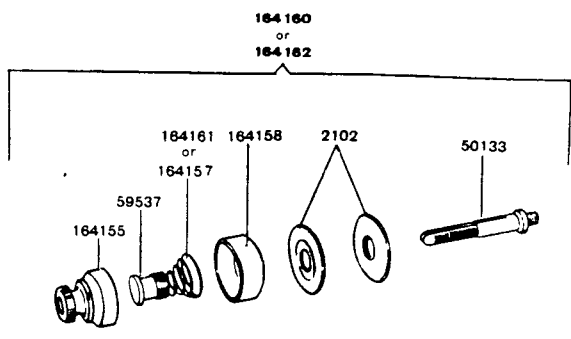
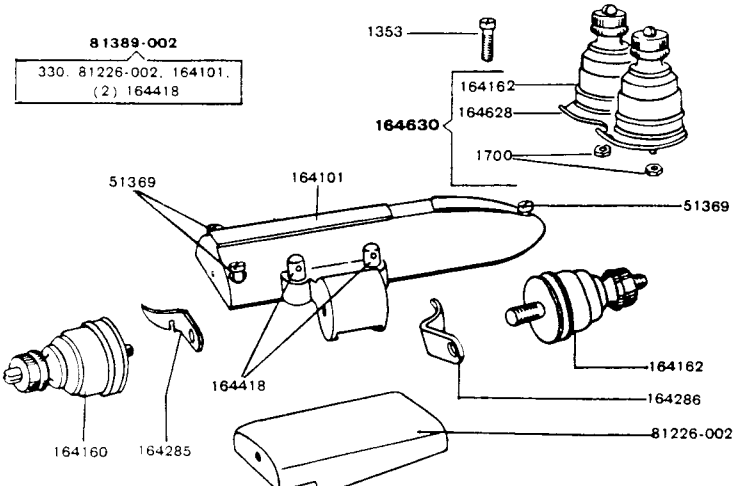
164123

164135 164121 145

164035

164034, 164036, 164268





LIST OF PARTS FOR 460/21 MACHINE

Part No.	Description	Part No.	Description
145(809)	Oil Cooler Cover Screw	1423	Knife (movable) Lever Guide and Needle Thread Bridge Bracket Screw
157(803)	Feed Eccentric Cover Bracket Screw	1423	Knife (movable) Lever Guide and Needle Thread Bridge Eyelet Screw
157(803)	Oil Reservoir Screw	1423(819)	Feed Eccentric Cover Bracket Oil Cover Screw
157(830)	Needle Driving Shaft Crank Connection Cap (lower) Screw	1443(819)	Oil Reservoir Lint Guard (back) Clamping Screw
171(830)	Needle Driving Shaft Crank Connection Cap (upper) Screw	1443(819)	Oil Reservoir Lint Guard (front) Clamping Screw
185(809)	Machine Frame Bracket Oil Screen Screw	1443(809)	Machine Frame Oil Splash Guard (internal) Screw (top)
187(805)	Machine Frame Bracket Key Screw	1443(809)	Thread (looper, right hand) Stripper and Take-up Eyelet (adjustable) Screw
187(805)	Thread (looper, right hand) Stripper and Take-up Screw	1443(809)	Thread (looper) Take-up Screw (upper)
190(805)	Knife (stationary) and Needle Guard Holder Adjusting Stud Cap Screw	1443(809)	Thread (needle) Controller Screw
190(805)	Thread (looper) Take-up Screw (lower)	1454(806)	Feed (back) Dog Screw
198(809)	Knife (movable) Guard Screw	1454(806)	Feed (front) Dog Screw
206(809)	Machine Frame Oil Splash Guard (internal) Screw (bottom)	1454(805)	Throat Plate Guide Screw
227(809)	Feed Eccentric Cover Latch Spring Screw	1485(809)	Machine Frame Oil Drip Sight Gauge Window Retainer Screw
330(809)	Machine Frame Top Cover Oil Lead Screw	1607(809)	Thread (looper, right hand) Thread Eyelet (stationary) Nut
332(809)	Thread (looper) Plate Cover Spring Screw	1628(803)	Feed Bar Slide Block (back) Nut
442(830)	Looper (right hand) Carrier Connecting Link Adjusting Screw (front) Stop Screw	1628(809)	Looper (right hand) Carrier Connecting Link Adjusting Screw (front) Stop Screw Nut
447(830)	Knife (movable) Lever Bearing Set Screw (long)	1637(81C)	Presser Bar Lifting Lever Stop Screw Nut
447(830)	Knife (movable) Lever Guide Holder Thread Tube Set Screw (Machine Frame End)	1671(803)	Feed (back) Bar Connection Hinge Screw Stud Nut
447(830)	Knife (movable) Lever Hinge Stud Set Screw (back)	1671(803)	Feed (front) Bar Connection Hinge Screw Stud Nut
448(830)	Machine Pulley Set Screw	1698(809)	Machine Frame Oil Lead Screw Nut
452(830)	Needle Driving Shaft Bushing Oil Lead Hole Plug Screw	1700(809)	Cloth Plate Extension Screw Nut
460	Knife (movable) Lever Guide Thread Tube Set Screw	1700(809)	Cloth Plate Lock Spring Nut
460(830)	Looper (left hand) Carrier Screw Set Screw	1700(809)	Cloth Plate Position Bracket Screw Nut
460(830)	Thread Eyelet (needle thread) Set Screw	1700(809)	Looper (right hand) Locking Screw Stud Nut
462(830)	Presser Bar Lifting Bracket Set Screw (short)	1700(809)	Tension (heavy) Screw Stud Nut
624(830)	Cloth Plate Plunger Set Screw	1700(809)	Presser Bar (swing-out) Lifting Screw Stud Nut
624(830)	Cloth Plate Position Collar Set Screw	2102	Tension (heavy) Disc (6)
624(830)	Knife (movable) Lever Bearing Set Screw (short)	2102	Tension (light) Disc (2)
624(830)	Machine Frame Oil Tube Set Screw	3146	Knife (stationary) Clamping Gib Screw Washer
624(830)	Presser Bar Lifting Bracket Set Screw (long)	17022	Feed Bar Slide Block (back) Nut washer
624(830)	Thread (looper, right hand) Tube Set Screw	17022	Thread (looper, right hand) Stripper and Take-up Screw Washer
629(810)	Feed Eccentric Cover Hinge Screw	39541	Knife (stationary) and Needle Guard Holder Adjusting Stud Cap Screw Washer
665(809)	Chain Cutter Chain Retainer (spring) Screw	39541	Machine Frame Oil Lead Screw Washer
665(809)	Chain Cutter Knife Screw	45057	Looper (left hand) Driving Shaft Crank Key Screw Washer
691(803)	Machine Frame Wearing Plate Screw	45057	Looper (right hand) Driving Shaft Crank Key Screw Washer
742(806)	Knife (stationary) and Needle Guard Holder Screw	50060(810)	Presser Bar (swing-out) Opening Lever Hinge Screw
853(830)	Looper (left hand) Thread Tube Set Screw	50073(809)	Knife (movable) Lever Cover and Presser Bar (upright) Housing Screw
896(830)	Thread (looper) Plate Screw	50133(803)	Tension (light) Screw Stud
904(830)	Looper (right hand) Position Collar Set Screw	50133(803)	Tension (heavy) Screw Stud
914(809)	Machine Frame Cover (back) Screw (short)	50225(809)	Needle Guard Screw
1036(830)	Machine Frame Rotary Shaft Bushing (front) Set Screw	50225(809)	Presser Foot Clamping Plate Screw
1036(830)	Machine Frame Rotary Shaft Counterbalance Set Screw	50318	Knife (movable) Hinged Cover Screw
1083(803)	Looper (left hand) Carrier Holder Clamping Screw	50318(818)	Thread (looper) Plate Thread Bushing Screw
1083(803)	Looper (left hand) Driving Shaft Crank Clamping Screw	50379(806)	Looper (left hand) Set Screw
1083(803)	Looper (right hand) Driving Lever Clamping Screw	50504(830)	Oil Cooler Plug Screw
1083(803)	Looper (right hand) Driving Shaft Crank Clamping Screw	50571(809)	Machine Frame Cover (back) Screw (long)
1083(803)	Needle Driving Shaft Crank Clamping Screw	50611(803)	Knife (stationary) and Needle Guard Holder Position Screw
1083(805)	Needle Guard Holder Screw	51023(818)	Machine Frame Oil Splash Guard (top) Screw
1094(806)	Throat Plate Screw	51139(809)	Oil Cooler Screw (long)
1100(830)	Feed (back) Dog Section (right) Screw	51332(803)	Machine Frame Rotary Shaft Bushing (intermediate) Set Screw
1143(830)	Knife (movable) Lever Hinge Stud Set Screw (top)	51362(830)	Presser Bar (swing-out) Pivot Screw Locking Plate Screw
1209(809)	Chip Guard Screw (lower)	51369(803)	Machine Frame Rotary Shaft Ball Bearing Housing Screw
1250(830)	Cloth Plate Lock Spring Screw Stud	51369(809)	Machine Frame Top Cover Screw
1324(803)	Looper (left hand) Carrier Screw	51408(830)	Cloth Plate Extension Screw
1324(803)	Looper (left hand) Driving Shaft Crank Key Screw	51408(830)	Cloth Plate Position Bracket Screw
1324(803)	Looper (right hand) Driving Shaft Crank Key Screw	51768(803)	Needle Clamping Nut
1324(809)	Oil Cooler Screw (short)	51846	Presser Bar Lifting Bracket Roller and Stud
1353(830)	Tension Thread Guide Screw	59456	Looper (left hand) Carrier Screw Washer
1389(830)	Feed Bar Hinge Pin Set Screw	59537	Tension (heavy) Spring Bushing
1423(809)	Thread (looper, right hand) Thread Eyelet Screw	59537	Tension (light) Spring Bushing
		81201-010	Feed (back) Eccentric
		81201-010	Feed (front) Eccentric
		81202	Feed Eccentric Cover Bracket Oil Cover
		81203	Looper (left hand) Driving Shaft Bushing (front)
		81204	Looper (right hand) Driving Shaft Bushing (front)
		81206	Machine Frame Oil Drip Sight Gauge (background) Disc
		81207	Machine Frame Oil Drip Sight Gauge Tube and Support

Part No.	Description	Part No.	Description
81209-002	Machine Frame Oil Lead Tube Support complete	109796(806)	Looper (right hand) Carrier Connecting Link Adjusting Sleeve Cap Screw (back)
81224	Machine Frame Rotary Shaft Oil Hole Plug	109875	Machine Frame Rotary Shaft Bushing (front) By-pass Oil Control Screw
81225	Machine Frame Rotary Shaft Oil Metering Pin (Internal)	109876	Needle Driving Shaft Bushing Locating Screw
81226-002	Machine Frame Top Cover Oil Lead	109898(803)	Presser Bar Lifting Lever Stop Screw
81227	Oil Agitator (right hand)	109925(830)	Looper (left hand) Driving Shaft Crank Connection Cap (lower) Screw
81228	Oil Cooler	109925(630)	Looper (right hand) Driving Shaft Crank Connection Cap (lower) Screw
81231	Machine Cushion (large)	109927(869)	Knife (movable) Lever Hinge Pin Set Screw
81232	Machine Mounting Post	109927(869)	Looper (right hand) Carrier Connecting Link Hinge Pin Set Screw
81233	Oil Reservoir Oil Sump Screen Cover	113149	Machine Frame Rotary Shaft Nut
81237	Oil Agitator (left hand)	132583	Knife (movable) Lever Hinge Pin
81238	Oil Reservoir Lint Guard (back)	132584	Knife (movable) Lever Hinge Pin Oil Wick
81263	Oil Reservoir Oil Sump Screen	132584	Looper (right hand) Carrier Connecting Link Hinge Pin Oil Wick
81376	Feed Eccentric Cover Bracket Splash Guard	132584	Looper (right hand) Carrier Hinge Pin Oil Wick
81389-002	Machine Frame Top Cover 164101 with 330(809), 81226-002 and two 164418	139026	Machine Frame Rotary Shaft Ball Bearing
81388	Feed Eccentric Cover complete	140050(803)	Knife (movable) Clamp Screw
81430	Throat Plate	140082(805)	Oil Reservoir Oil Sump Screen Cover Screw
81433	Throat Plate Guide	140088(805)	Knife (stationary) and Needle Guard Holder Sleeve Screw
82255	Knife (movable) Hinged Cover	140088(813)	Machine Frame Oil Lead Screw
82256	Knife (movable) Hinged Cover Hinge	140159(830)	Looper (left hand) Driving Shaft Crank Connection Cap (upper) Screw
82257	Knife (movable) Hinged Cover Pin	140159(830)	Looper (right hand) Driving Shaft Crank Connection Cap (upper) Screw
82258	Knife (movable) Hinged Cover complete, Nos. 82255, 82256 and 82257	140180	Presser Foot Screw (not illustrated)
82259	Knife (movable) Hinged Cover Spring	140346(830)	Machine Frame Oil Plug Bracket Set Screw
82262	Chip Guard	140393(830)	Looper (left hand) Carrier Holder Set Screw (right) (not illustrated)
82264	Knife (movable) (serrated)	140394(805)	Looper (left hand) Driving Shaft Bushing (back) Cap Screw
82265	Feed Lifting Eccentric	140394(805)	Looper (right hand) Driving Shaft Bushing (back) Cap Screw
82266	Knife (movable) Eccentric	140395(805)	Machine Frame Bracket Screw (small)
82268-002	Thread (needle) Controller Lever	140396(805)	Machine Frame Bracket Screw (large)
82269	Thread (needle) Controller	140416(819)	Machine Pulley Cap Screw
82271	Presser Bar Bracket	140509(809)	Chip Guard Screw (upper)
82272	Knife (movable) Lever	140510(803)	Presser Bar (swing-out) Pivot Screw
82273-002	Knife (movable) Lever 82272 with 82268-002, 82271, 132583 and 164035	140596(830)	Looper (left hand) Carrier Holder Set Screw (left)
82274	Knife (movable) Lever Cover and Presser Bar (upright) Housing	140596(830)	Looper (right hand) Driving Lever Set Screw
82276	Knife (movable) Lever Cover and Presser Bar (upright) Housing complete, Nos. 30360(810), 82258, 82259, 82274, 82275, 82281, 164137, 164139, 164142, 164143, 164194, 164814, 164815, 164884 and two 5C318	140596(830)	Needle Driving Shaft Crank Set Screw
82281	Thread Eyelet (needle thread)	140788(803)	Knife (stationary) Clamping Gib Screw
82291	Looper (right hand) Carrier	164002	Cloth Plate Extension
82292	Looper (right hand) Carrier Connecting Link	164003	Feed Bar Hinge Pin (eccentric)
82293	Looper (right hand) Carrier 82291 with two each 109927(809) and 165182-002	164004	Feed Bar Slide Block (back)
82295	Looper (right hand) Driving Lever complete, Nos. 1700(809), 82291, 82292, 109795(803), 109796(803), 164062-001, 164068, 165142, two each 109927(869) and 165182-002	164006	Feed (front) Bar
82297	Machine Frame Oil Lead	164007	Feed (back) Bar Connection
82298	Machine Frame Oil Splash Guard (Internal)	164008	Feed (back) Bar Connection Bearing
82299	Machine Frame Oil Splash Guard (top)	164009	Feed (back) Bar Connection Hinge Screw Stud
82302	Machine Frame Rotary Shaft	164009	Feed (front) Bar Connection Hinge Screw Stud
82304	Machine Frame Rotary Shaft 82302 with 81224, 82306, 164215-001, 164216-001, 165245, two each 164093 and 164232	164010	Feed (back) Bar Connection Hinge Screw Stud Position Pin (not illustrated)
82305	Machine Frame Bracket and Cover (back) Gasket (rubber)	164010	Feed (front) Bar Connection Hinge Screw Stud Position Pin (not illustrated)
82306	Machine Frame Rotary Shaft Key	164017	Feed (front) Bar Connection
82311	Needle Driving Shaft Bushing Cap	164018	Feed (front) Bar Connection Bearing
82314	Needle Clamp	164023	Feed Eccentric Oil Wick (not illustrated)
82315	Needle Driving Shaft with 82316	164027	Knife (movable) Clamp
82316	Needle Stop Pin (not illustrated)	164028	Knife (movable) Guard (lower)
82317	Needle Driving Shaft Bushing	164029-002	Knife (movable) Holder
82318	Needle Holder	164030	Knife (movable) Clamp Screw Bearing
82319	Needle Driving Shaft 82315 with 51768(803), 82314 and 82316	164032	Knife (movable) Lever Bearing
82329	Oil Cooler	164034	Knife (movable) Lever Hinge Stud
82330	Presser Bar (swing-out)	164035	Knife (movable) Lever Hinge Stud 164034 with 164036 and 164269
82334	Thread (looper) Plate complete	164036	Knife (movable) Lever Hinge Stud Oil Wick (long)
82337	Knife (movable) Lever Guide	164042	Knife (stationary) and Needle Guard Holder Sleeve
82338	Knife (movable) Lever Guide and Needle Thread Bridge Bracket	164043	Knife (stationary) and Needle Guard Holder Spring
82339	Knife (movable) Lever Guide and Needle Thread Bridge Eyelet	164046	Looper (left hand) Carrier
82341	Knife (movable) Lever Guide	164048	Looper (left hand) Driving Shaft
82462	Machine Frame Bracket Oil Screen Screw Washer	164049	Looper (left hand) Driving Shaft Bushing (back)
87026	Looper (left hand)	164049	Looper (right hand) Driving Shaft Bushing (back)
87028	Looper (right hand)	164051	Looper (left hand) Driving Shaft Crank
87035	Presser Foot Body	164052-001	Looper (left hand) Driving Shaft Crank Connection
87036	Presser Foot complete	164052-001	Looper (right hand) Driving Shaft Crank Connection
90155	Cloth Plate	164053	Looper (right hand) Driving Shaft Crank Thrust Bearing
90156	Cloth Plate with Extension complete, Nos. 90155, 164002, 164205, two 931084, three each 1700(809) and 51408(830)	164053	Looper (left hand) Driving Shaft Crank Thrust Bearing
107204	Oil Reservoir Drain Plug (magnetic)		
107205	Oil Reservoir Gasket		
109795(803)	Looper (right hand) Carrier Connecting Link Adjusting Screw (front)		

Part No.	Description	Part No.	Description
164054	Looper (left hand) Thread Tube	164293	Looper (left hand) Driving Shaft
164062-001	Looper (right hand) Driving Lever		Bushing (back) Cap Screw Washer
164063	Looper (right hand) Driving Shaft	164293	Looper (right hand) Driving Shaft
164066	Looper (right hand) Driving Shaft Crank		Bushing (back) Cap Screw Washer
164067	Looper (right hand) Driving Shaft Crank Key	164351	Presser Bar (swing-out) Pivot Screw Locking Plate
164067	Looper (left hand) Driving Shaft Crank Key	164401	Feed Eccentric Cover Latch Spring
164068	Looper (right hand) Locking Screw Stud	164418	Tension Thread Eyelet
164071	Machine Pulley Cap	164449	Thread (Looper, right hand) Thread Eyelet (movable)
164077	Machine Frame Bracket Screw (large) Washer (fibre)	164458	Knife (movable) Guard (upper)
164082	Machine Frame Oil Plug Bracket	164515-002	Machine Frame Cover (back)
164091	Thread (Looper, right hand) Stripper and Take-up	164516-002	Machine Frame Cover (back) complete
164093	Machine Frame Rotary Shaft Ball Sleeve (two pieces)	164520	Feed Eccentric Cover
164096	Machine Frame Rotary Shaft Counter-balance	164525	Knife (stationary) and Needle Guard Holder Spring Stud
164098	Machine Frame Rotary Shaft Oil and Ball Bearing Grease Retainer	164555	Thread (Looper, right hand) Stripper and Take-up Guide wire
164099	Machine Frame Rotary Shaft Screw Stud	164590	Knife (stationary) and Needle Guard Holder Adjusting Stud
164100	Machine Frame Rotary Shaft Thrust Bearing	164615	Feed (back) Dog Section (left)
164101	Machine Frame Top Cover	164616	Feed (back) Dog Section (right)
164102	Machine Frame Top Cover Gasket	164617	Feed (back) Dog complete
164104	Cloth Plate Plunger	164628	Tension Thread Guide (double)
164105	Cloth Plate Plunger Spring	164629	Tension Thread Guide Spacing Block
164106	Cloth Plate Position Collar	164630	Tension (double) complete
164113	Needle Driving Shaft Bushing Oil Lead	164660	Looper (left hand) Carrier Holder
164114	Needle Driving Shaft Crank with 1C83(803) and two 140596(830)	164661	Looper (left hand) Carrier Holder
164115	Needle Driving Shaft Crank Ball	164687	Feed (back) Bar
164121	Oil Cooler Cover	164704-002	Feed Eccentric Cover Bracket
164122	Oil Cooler Cover Gasket	164705-002	Feed Eccentric Cover Bracket
164123	Oil Cooler Cover 164121 with 164135	164728	Knife (stationary)
164124	Oil Cooler Gasket	164744	Knife (stationary) Clamping Gib
164125	Oil Cooler Oil Pipe (outlet, left)	164745	Knife (stationary) and Needle Guard Holder Body
164125	Oil Cooler Oil Pipe (outlet, right)	164801	Thread (Looper) Plate
164132	Machine Frame Oil Drip Sight Gauge Window Gasket	164814	Presser Bar (upright) Spring
164133	Machine Frame Oil Drip Sight Gauge Window	164815	Presser Bar (upright) Spring Spacing Collar
164134	Machine Frame Oil Drip Sight Gauge Window Retainer	164823	Knife (movable) Lever Guide Holder Thread Tube
164135	Oil Cup for filling Machine	164861	Chain Cutter Knife
164137	Presser Bar Lifting Bracket	164863	Chain Cutter Holder
164139	Presser Bar Lifting Lever Spring	164864	Chain Cutter Chain Retainer (spring)
164141	Presser Bar (swing-out) Lifting Screw Stud	164865	Chain Cutter with Chain Retainer complete
164142	Presser Bar (swing-out) Opening Lever	164884	Presser Bar Lifting Lever
164143	Presser Bar (upright)	165059	Needle Guard Holder
164146	Presser Foot Chaining-off Finger	165060	Needle Guard
164147	Presser Foot Clamping Plate	165062	Knife (stationary) and Needle Guard Holder
164155	Tension (heavy) Regulating Thumb Nut	165063	Knife (stationary) and Needle Guard Holder (adjustable) complete
164155	Tension (light) Regulating Thumb Nut	165064	Knife (stationary) and Needle Guard Holder (adjustable) with Gib complete
164156	Tension (heavy) Screw Stud	165109	Feed (front) Dog 11 teeth (12 teeth to the inch)
164156	Tension (light) Screw Stud	165134	Feed Bar Slide Block (front)
164157	Tension (light) Spring	165142	Looper (right hand) Carrier Connecting Link Adjusting Sleeve (not illustrated)
164158	Tension (heavy) Spring Cover	165145-002	Looper (right hand) Carrier Connecting Link Hinge Pin
164158	Tension (light) Spring Cover	165145-002	Looper (right hand) Carrier Hinge Pin
164160	Tension (light) complete	165149	Machine Frame Bracket
164161	Tension (heavy) Spring	165150	Machine Frame Bracket
164162	Tension (heavy) complete	165151	Machine Frame Bracket Oil Screen
164163	Thread (Looper, right hand) Stripper and Take-up Eyelet (adjustable)	165152	Machine Frame Oil Screen
164165	Thread (Looper, right hand) Thread Eyelet (stationary)	165153	Machine Frame Oil Tube
164166	Thread (Looper, right hand) Tube	165154	Machine Frame Oil Tube Wick
164168	Thread (Looper) Plate Cover	165156	Machine Frame Oil Splash Guard (internal) Oil wick
164169	Thread (Looper) Plate Cover Hinge	165157	Machine Frame Oil Splash Guard (internal) Oil wick Fastener
164170	Thread (Looper) Plate Cover Hinge Pin	165159	Machine Frame Wearing Plate
164171	Thread (Looper) Plate Cover Spring	165160	Machine Frame Wearing Plate Spacer
164173	Thread (Looper) Plate Thread Bushing	165170	Machine Frame Rotary Shaft Bushing (front)
164175	Thread (Looper) Take-up (left)	165171	Machine Frame Rotary Shaft bushing (intermediate)
164176	Thread (Looper) Take-up Plate	165173	Oil Reservoir
164194	Pressure Regulating Thumb Screw	165180	Feed (back) and (front) Bars complete
164202	Looper (left hand) Stop Pin	165182-002	Looper (right hand) Carrier Connecting Link Hinge Pin
164205	Cloth Plate Lock Spring	165182-002	Looper (right hand) Carrier Hinge Pin
164206	Thread (Looper) Plate Cover	165185	Machine Frame Oil Tube
164207	Machine Frame Bracket Key	165232	Oil Reservoir Oil Sight Gauge (Lucite)
164215-001	Looper (left hand) Driving Shaft Crank (not illustrated)	165237	Oil Reservoir Link Guard (front)
164216-001	Looper (right hand) Driving Shaft 164066 with 164052-001 (not illustrated)	165238	Machine Frame Rotary Shaft Ball Bearing Housing
164219	Looper (right hand) Position Collar	165239	Machine Frame Rotary Shaft Ball Bearing Housing Gasket
164231	Machine Pulley	165240	Machine Frame Rotary Shaft Bushing (intermediate) Oil Screen
164232	Machine Frame Rotary Shaft Ball Sleeve Guide	165245	Needle Driving Shaft Crank Connection
164269	Knife (movable) Lever Hinge Stud Oil Wick (short)	175032	Knife (stationary) and Needle Guard Holder Sleeve Screw washer
164285	Tension (Looper thread) Thread Guide (left)	931084	Cloth Plate Extension Screw Nut Lock Washer
164286	Tension (Looper thread) Thread Guide (right)	931084	Cloth Plate Lock Spring Nut Lock Washer