

ADJUSTERS MANUAL and PARTS LIST

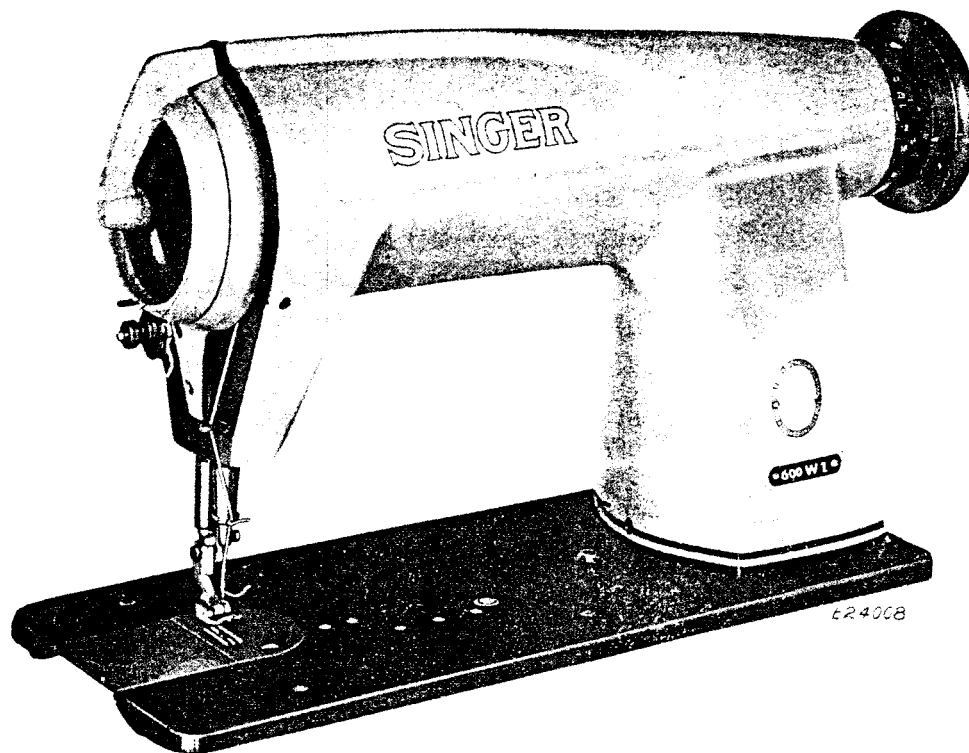
FOR

SINGER* SEWING MACHINE 600w1

HIGH SPEED

LOCK STITCH

Single Rotary Thread Take-up



THE SINGER MANUFACTURING COMPANY

FOREWORD

This book contains complete information covering operation, adjustment, parts list, attachments and special fittings for Machine 600W1. Descriptions and exploded views of all parts assemblies on pages 33 to 53, inclusive, will be found helpful when ordering any part of the machine requiring renewal.

Copyright, U. S. A., 1954, by The Singer Manufacturing Company
All Rights Reserved for all Countries

DESCRIPTION

Machine 600W1, for stitching light and medium weight fabrics, has the following characteristics:

Single Needle, Lock Stitch.

Single Rotary Thread Take-up.

Belt Driven, Automatically Lubricated Rotary Sewing Hook on a Horizontal Axis.

Drop Feed.

Maximum Length of Stitch 5-1/2 to the inch.

Presser Bar Lift 9/32 inch.

Needle Bar Stroke 1-9/64 inches.

Machine Pulley with outside diameter of belt groove 2.90 inches for 3/8 inch "V" Belt. Effective diameter for 5/16 inch round leather belt is 2-3/8 inches.

Ball Bearings for both ends of arm shaft and pulley end of hook driving shaft.

Needle Bearings for Needle Bar Connecting Link and Feed Driving and Lifting Connections.

Bed 15-11/16 inches long, 7 inches wide.

Space at right of needle 8 inches.

SPEED

The maximum speed recommended for this machine is 5000 R.P.M. It is advisable to run a new machine slower than the maximum speed for the first few minutes to allow time for the oil to reach the moving parts. The top of the machine pulley turns over from the operator.

SETTING UP

The drip pan should be attached with its right end even with the right end of the cut-out and low enough in the cut-out to avoid

interference with the knee lifter rod **A**, **Fig. 2**. **Fig. 2** shows the correct location of the knee lifter. The knee lifter bracket should be assembled so that the lifter rod **A** does not strike the drip pan. The screw slots in the bracket provide the necessary adjustment. The stop stud **B**, **Fig. 2** should be set to stop the action of the knee lifter as soon as the presser foot is raised enough to trip the hand lifter.

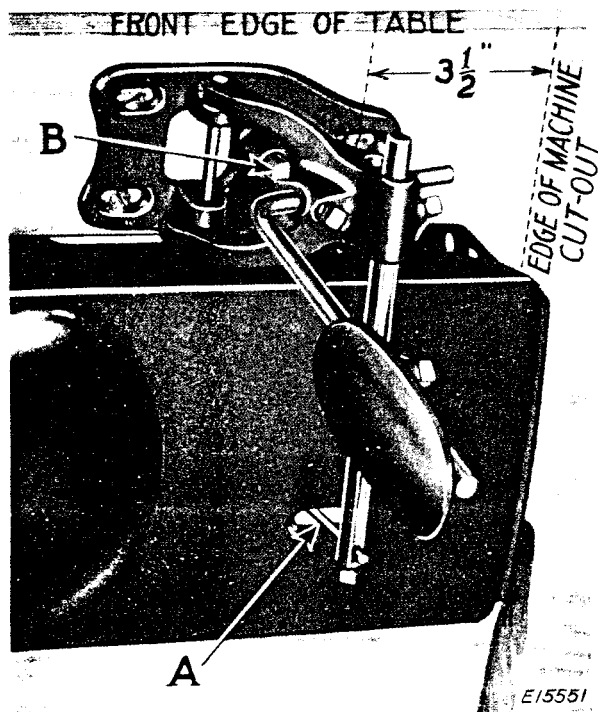


Fig. 2. Position of Knee Lifter Under Table

CAUTION: Do not start the machine, not even to test the speed, until it has been thoroughly oiled as instructed below and on **page 5**.

OILING THE MACHINE

Use "TYPE A" or "TYPE C" OIL, sold by Singer Sewing Machine Company. For description of oils, see inside front cover of this book.

A reservoir in the bed of the machine supplies oil to the sewing hook race and to the bearings and eccentrics on the hook driving shaft (except the rear ball bearing). The other lubrication points are reached by five oil holes, marked with red.

BEFORE STARTING THE MACHINE, fill the oil reservoir (through the oil gauge hole) to the top mark on the oil gauge **C**, **Fig. 3**.

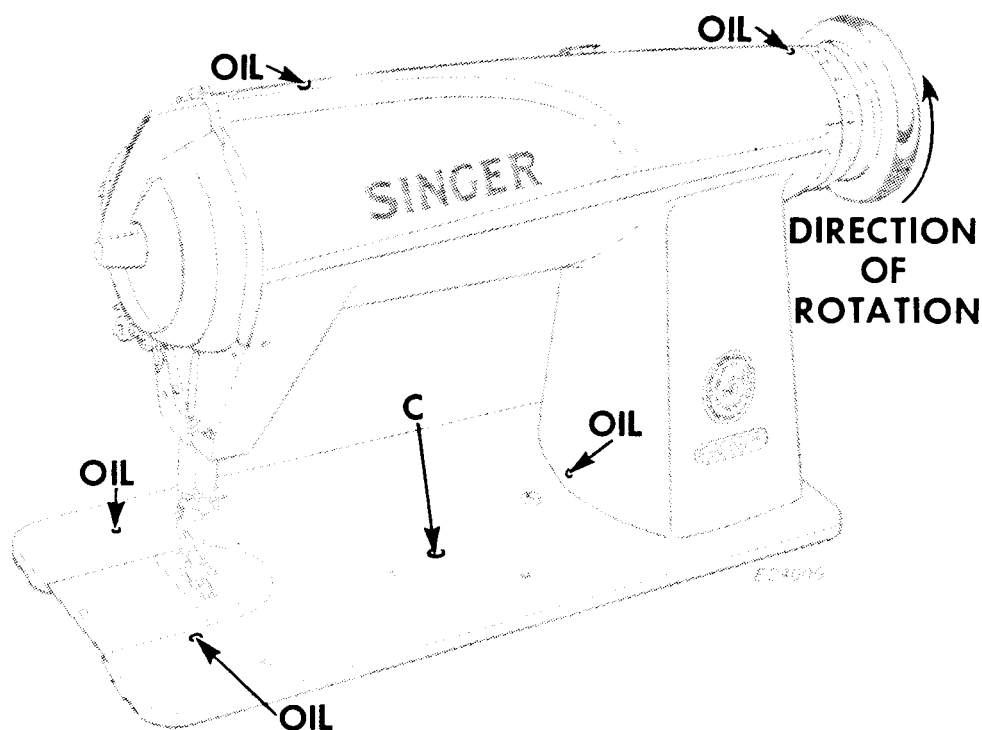


Fig. 3. Showing the Six Oiling Points on the Machine

While it may not be necessary to add oil to the reservoir every day, the oil level must be checked DAILY and filled to the high mark. Never allow the oil level to drop below the lower mark on the oil gauge.

AT THE BEGINNING OF EACH WORKING DAY, place A FEW DROPS of oil in each of the five oil holes indicated by the arrows in Fig. 3 as well as the oil hole in the bobbin winder spindle indicated in Fig. 6.

NEEDLES

Needles for Machine 600w1 are of Class and Variety 88x1 and are made in sizes 7, 8, 9, 10, 11, 12, 13, 14, 16, 17, 18, 19 and 21. These needles regularly have nickel finish but can be supplied with chromium finish if so ordered.

The size of the needle to be used should be determined by the size of the thread, which must pass freely through the eye of the needle. Rough or uneven thread, or thread which passes with difficulty through the eye of the needle, will interfere with the successful use of the machine.

Orders for needles must specify the Quantity required, the Size number, also the Class and Variety numbers separated by an x.

The following is an example of an intelligible order:

"100 No. 16, 88x1 Needles."

The best stitching results will be obtained by using the needles sold by Singer Sewing Machine Company.

THREAD

Left twist thread should be used in the needle. Either right or left twist thread can be used in the bobbin.

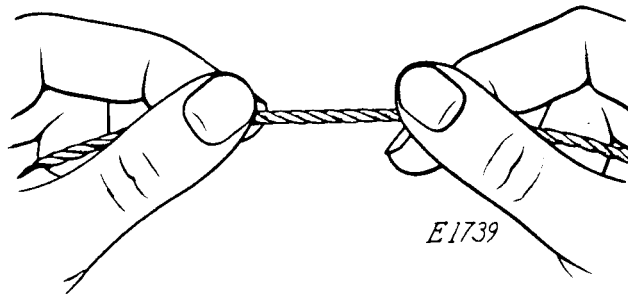


Fig. 4. How to Determine the Twist

Hold the thread as shown above. Turn the thread over toward you between the thumb and forefinger of the right hand; if left twist, the strands will wind tighter; if right twist, the strands will unwind.

TO REMOVE THE BOBBIN

Turn the machine pulley over from you until the needle moves up to its highest position. Draw back the slide in the bed of the machine. Reach under the table and open the bobbin case latch **E**, Fig. 5 and, by means of this latch, remove the bobbin case from the sewing hook.

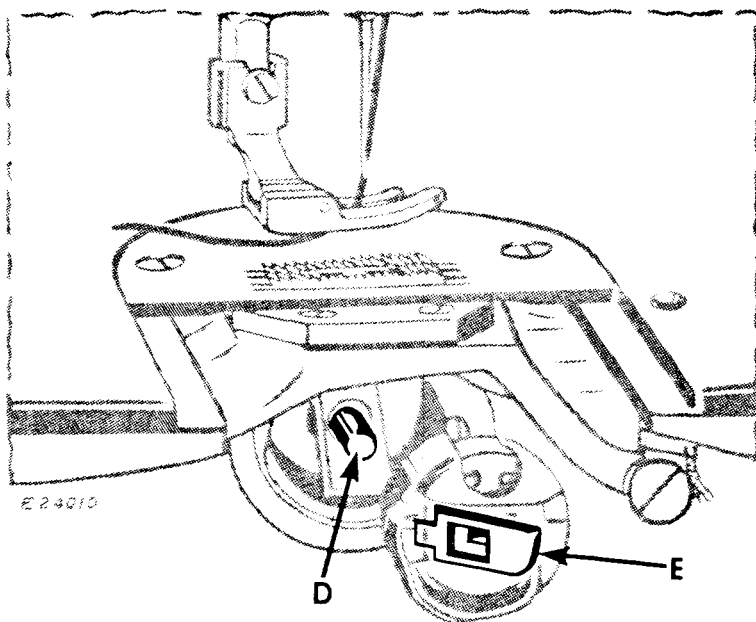


Fig. 5. Removing the Bobbin

While the latch remains open, the bobbin will be retained in the bobbin case. Release the latch, turn the open end of the bobbin case downward and the bobbin will drop out.

TO WIND THE BOBBIN

Fasten the bobbin winder to the table with its driving pulley in front of the machine belt, so that the pulley will drop away from the belt when sufficient thread has been wound upon the bobbin.

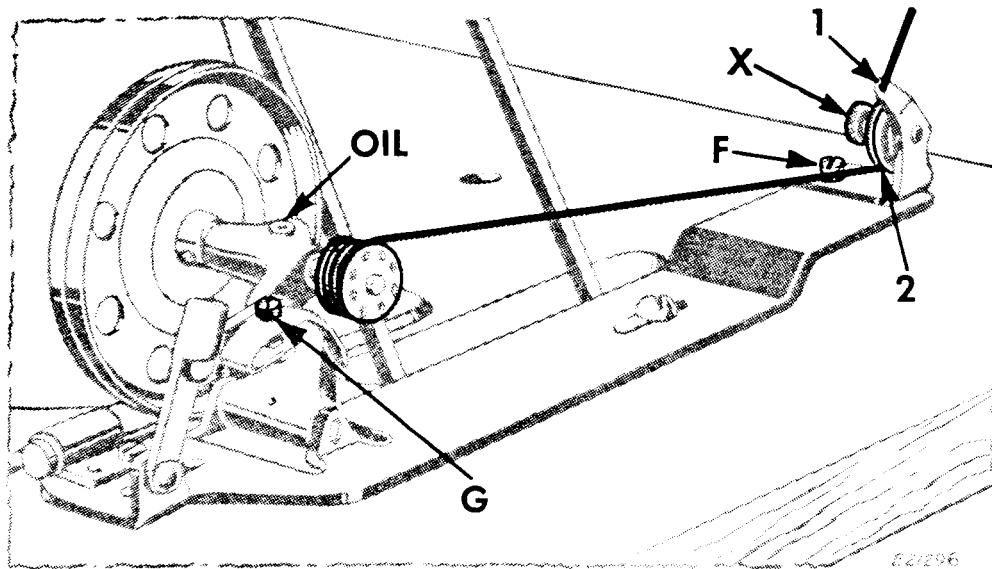


Fig. 6. Winding the Bobbin

Place the bobbin on the bobbin winder spindle and push it on as far as it will go.

Pass the thread down through the thread guide 1 in the tension bracket, around the back of, and between, the tension discs 2. Then wind the end of the thread around the bobbin a few times in the direction shown in Fig. 6, push the bobbin winder pulley over against the machine belt and start the machine.

When sufficient thread has been wound upon the bobbin, the bobbin winder will stop automatically.

If the thread does not wind evenly on the bobbin, loosen the screw F in the tension bracket and move the bracket to the right or left as may be required, then tighten the screw.

The amount of thread wound on the bobbin is regulated by the screw G. To wind more thread on the bobbin, turn the screw G inwardly. To wind less thread on the bobbin, turn this screw outwardly.

Bobbins can be wound while the machine is stitching.

When winding a bobbin with fine thread, a light tension should be used. Adjust the knurled nut X, Fig. 6, to regulate the tension.

TO THREAD THE BOBBIN CASE

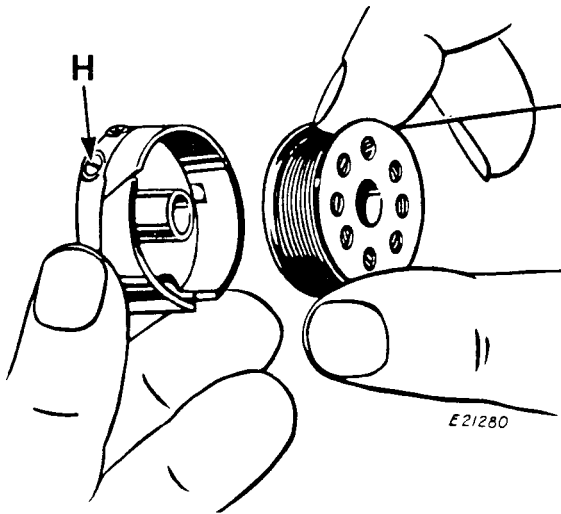


Fig. 7

With the left hand hold the bobbin case as shown in **Fig. 7**, the slot in the edge being near the top, and place the bobbin into it.

Hold the bobbin between the thumb and forefinger of the right hand, as shown in **Fig. 7**, the thread drawing on the top from the left toward the right.

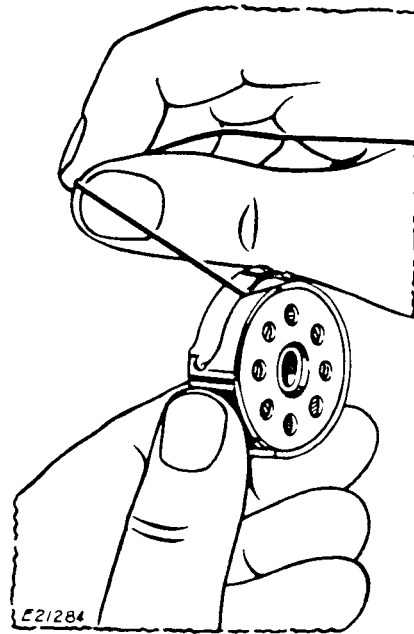


Fig. 8

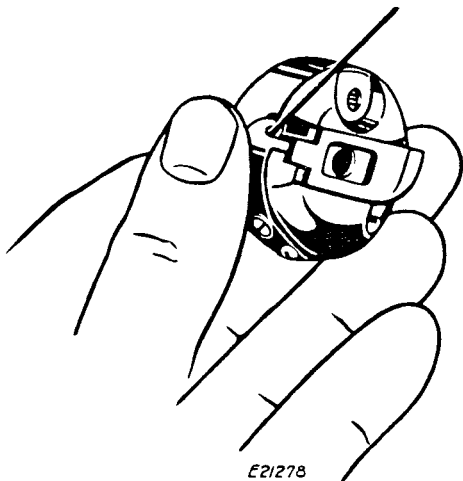


Fig. 9

Then pull the thread into the slot in the edge of the bobbin case as shown in **Fig. 8**; draw the thread under the tension spring and into the delivery eye at the end of the tension spring. See **Fig. 9**.

TO REPLACE THE BOBBIN CASE

After threading, take the bobbin case by the latch and place the bobbin case on the center stud **D**, **Fig. 5** of the bobbin case holder; release the latch and press the bobbin case back until the

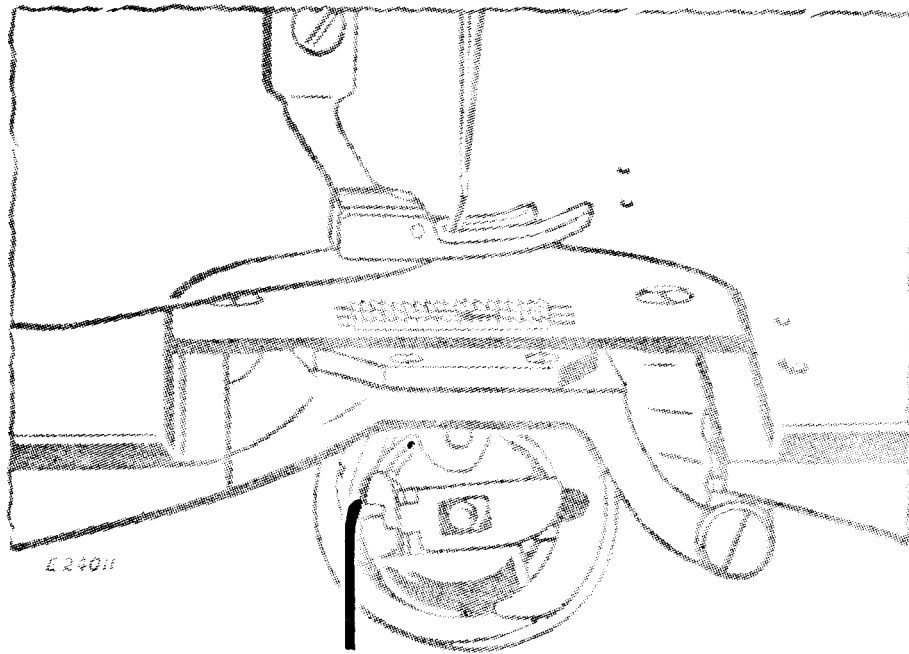


Fig. 10. Bobbin Case Threaded and Replaced

latch catches the groove near the end of the stud. See **Fig. 10**. Allow about two inches of thread to hang free, and replace the slide in the bed of the machine.

TO SET THE NEEDLE

Turn the machine pulley over from you until the needle bar moves up to its highest point; loosen the screw at the lower end of the needle bar and put the needle up into the bar or clamp as far as it will go, with the long groove of the needle toward the left and the eye of the needle directly in line with the arm of the machine, then tighten the screw.

UPPER THREADING

See Fig. 11

When you have become accustomed to threading the machine, the thread can be passed from the thread retainer J at the top, down to the needle with a single continuous motion.

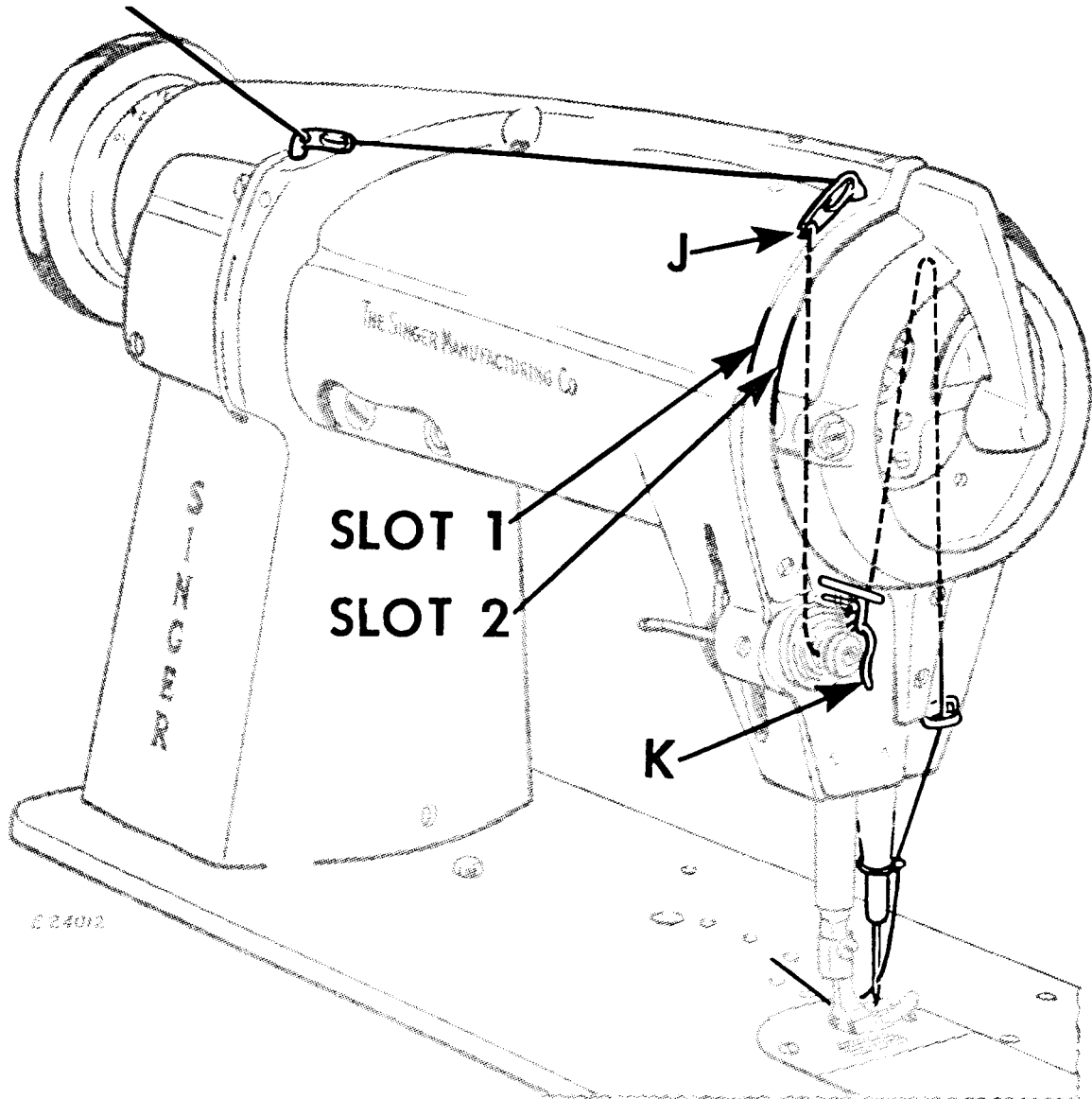


Fig. 11. Rear View of Machine, Showing Upper Threading

Pass the thread through the threading points in the manner shown in **Fig. 11**. Hold the thread with the right hand near the thread retainer J while passing the thread, with the left hand, downward into the inner slot 1 and on down around and between the tension discs, into the take-up spring and under the thread pull-off K, then over through the slot 2, allowing the thread to fall in place over the take-up disc, as shown in **Fig. 11**, then release the thread with the right hand and continue to pass it down through the two thread guides and from left to right through the eye of the needle. Leave about three inches of thread with which to commence sewing.

TO PREPARE FOR SEWING

With the left hand hold the end of the needle thread, leaving it slack from the hand to the needle, turn the machine pulley over from you until the needle moves down and up again to its highest

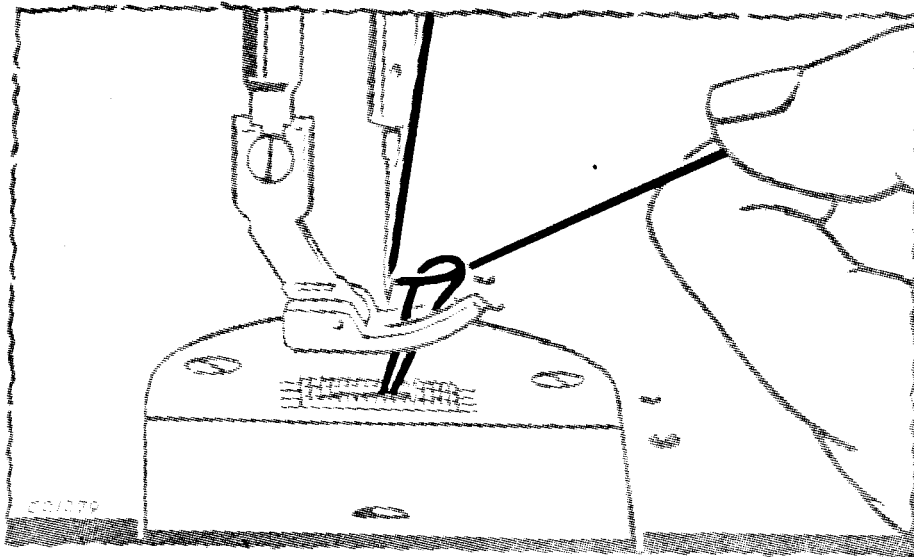


Fig. 12. Drawing Up the Bobbin Thread

point, thus catching the bobbin thread; draw up the needle thread and the bobbin thread will come up with it through the hole in the throat plate. See **Fig. 12**. Lay both threads back under the presser foot.

TO COMMENCE SEWING

Place the material beneath the presser foot, lower the presser foot and commence to sew.

TO REMOVE THE WORK

Stop the machine when the needle bar has just started to descend. In this position the upper thread will be free of the sewing hook and the take-up will not unthread the needle when the machine is started. Raise the presser foot, draw the work back and cut the threads close to the work.

TO REMOVE BROKEN THREAD FROM TAKE-UP

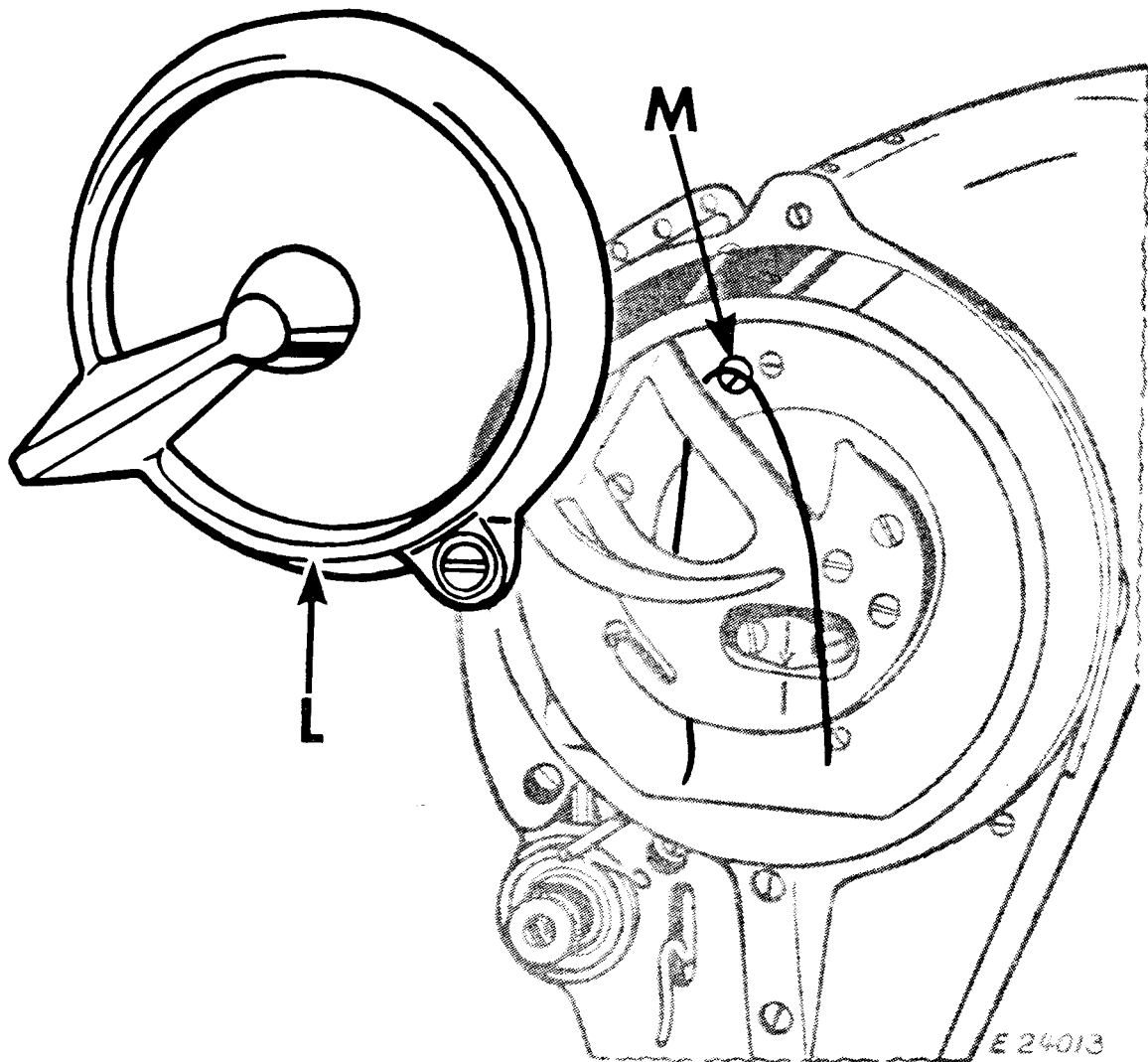


Fig. 13. To Remove Broken Thread from Rotary Take-up

If the thread breaks at operating speeds, an extra piece of thread may be found in the take-up which is visible through cover L. Open the cover and remove the thread, then close the cover and rethread.

CAUTION: When removing end of thread from the take-up, be careful not to cut fingers on the thread cutter M.

If no end of thread is visible around the take-up, just rethread and proceed to sew.

TENSIONS

For ordinary stitching, the needle and bobbin threads should be locked in the center of the thickness of the material, thus:

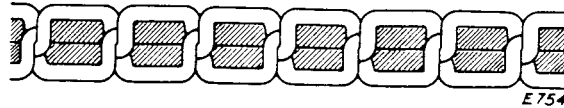


Fig. 14. Perfect Stitch

If the tension on the needle thread is too tight, or if that on the bobbin thread is too loose, the needle thread will lie straight along the upper surface of the material, thus:

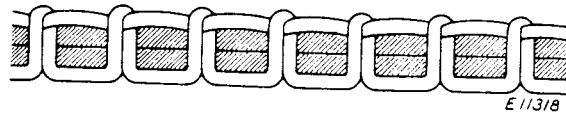


Fig. 15. Tight Needle Thread Tension

If the tension on the bobbin thread is too tight, or if that on the needle thread is too loose, the bobbin thread will lie straight along the under side of the material, thus:

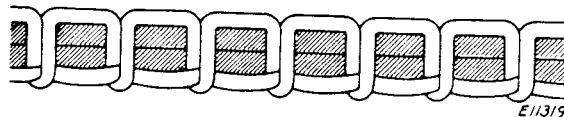


Fig. 16. Loose Needle Thread Tension

TO REGULATE THE TENSIONS

THE TENSION ON THE NEEDLE THREAD SHOULD BE REGULATED ONLY WHEN THE PRESSER FOOT IS DOWN. Having lowered the presser foot, turn the small thumb nut at the front of the tension discs over to the right to increase the tension. To decrease the tension, turn this thumb nut over to the left.

The tension on the bobbin thread is regulated by the large screw **H**, Fig. 7 in the tension spring on the outside of the bobbin case. To increase the tension, turn this screw over to the right. To decrease the tension, turn this screw over to the left.

When the tension on the bobbin thread has been once properly adjusted, it is seldom necessary to change it, as a correct stitch can usually be obtained by varying the tension on the needle thread.

TO REGULATE THE PRESSURE ON THE MATERIAL

The pressure of the presser foot on the material is regulated by the screw **N**, **Fig. 17** in the top of the arm. Turn this screw downward, **clockwise**, to increase the pressure or upward, **counter-clockwise**, to decrease the pressure. The pressure should be set only sufficiently strong to satisfactorily feed the work.

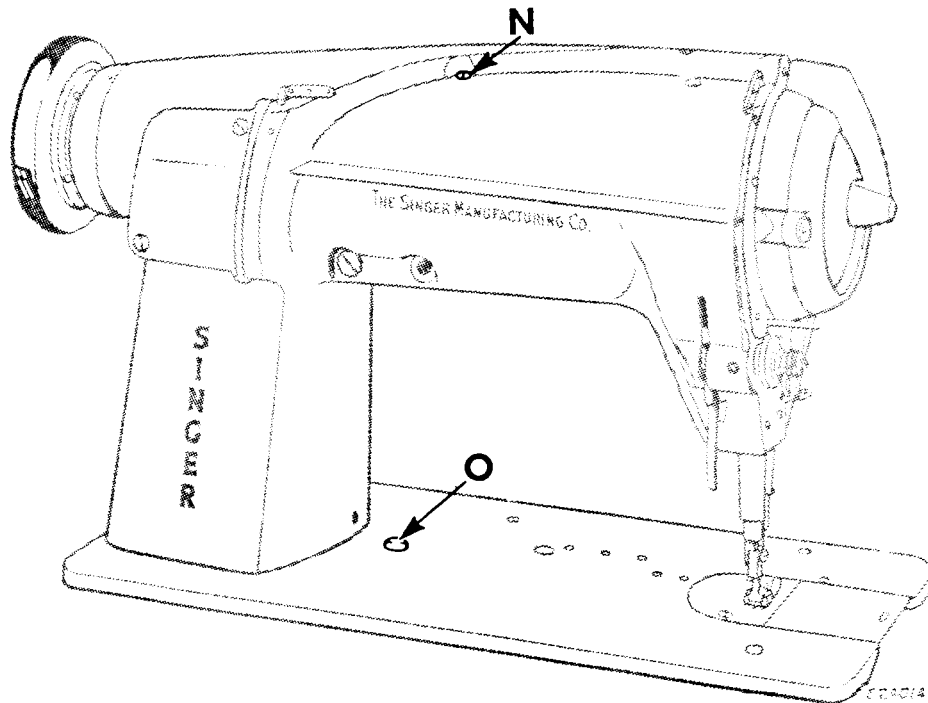


Fig. 17. Screw N for Regulating Pressure on Presser Foot and Stud O for Regulating Length of Stitch

TO REGULATE THE LENGTH OF STITCH

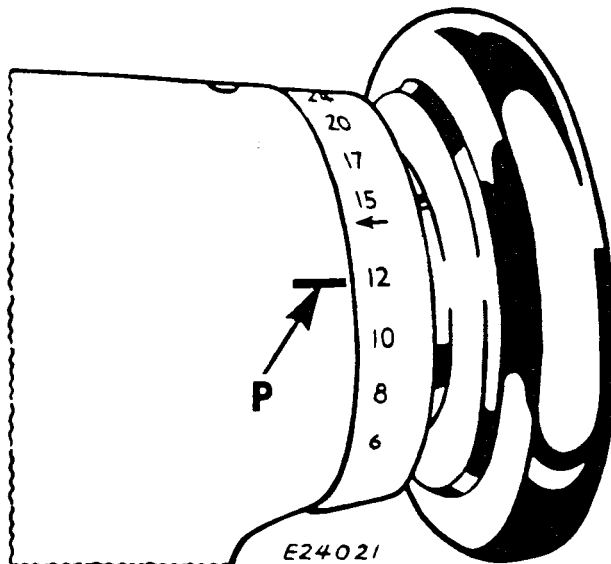


Fig. 18. Stitch Indicator

To change the length of stitch, press down the stud **O**, **Fig. 17** in the bed of the machine and at the same time turn the machine pulley slowly over from you until the stud enters a notch in the adjustable feed eccentric cam on the bed shaft. Still holding the stud, turn the machine pulley until the number indicating the number of stitches per inch desired is opposite the mark **P**, **Fig. 18**, then release the stud. **DO NOT TOUCH THE STUD O WHILE THE MACHINE IS RUNNING.**

HINTS FOR PERFECT OPERATION

Follow instructions and oil machine regularly.

The machine pulley must always turn away from the operator.

Do not run machine with bobbin case only partly inserted.

Do not run the machine with the presser foot resting on the feed without cloth under the presser foot.

Do not run the machine when both bobbin case and needle are threaded unless there is material under the presser foot.

Do not try to help the machine by pulling the fabric lest you bend the needle. The machine feeds the work without assistance.

The slide over the bobbin case should be kept closed when the machine is in operation.

Do not press on the knee lifter lever while the machine is in operation, as this will prevent the work from feeding properly.

Occasionally remove the accumulation of lint from around the hook and from between the feed rows beneath the throat plate.

NEVER TOUCH THE STITCH REGULATOR STUD WHEN THE MACHINE IS RUNNING.

Never run machine with the take-up cover open.

TIMING THE MACHINE

The parts are in their proper timing on the various shafts when the locating screws are in the shaft splines provided for them. These locating screws are the first screws appearing when the shafts are revolved in their normal direction of rotation and are provided with a cone shaped point.

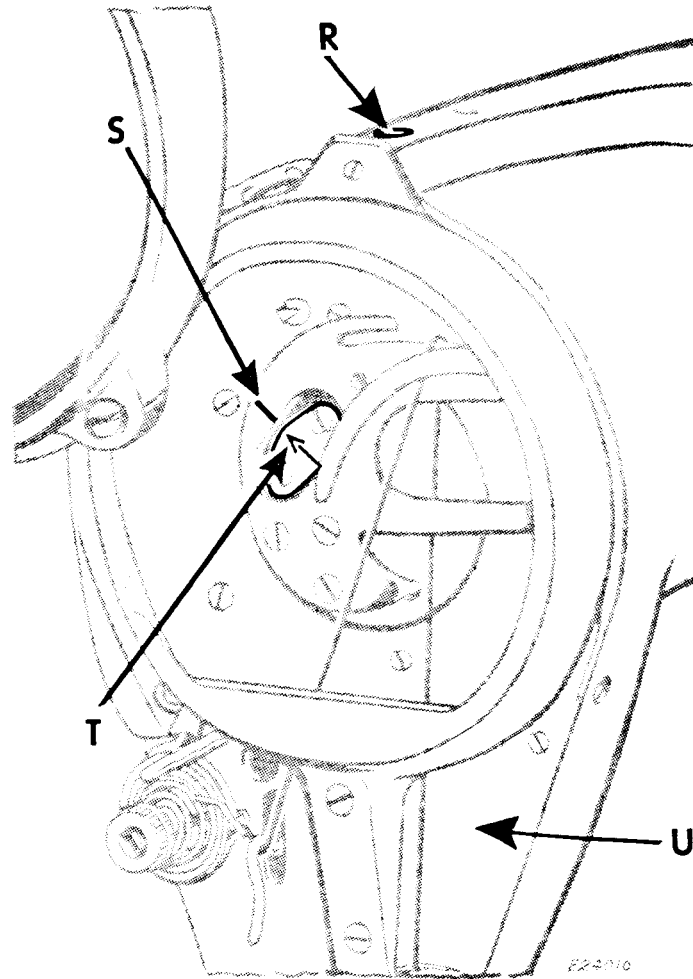


Fig. 19. Showing Timing Marks on Take-up and Take-up Clamping Plate

For normal sewing, the rotary thread take-up is correctly timed when the timing mark **S**, Fig. 19 on the take-up is in line with the arrow **T**, Fig. 19 on the clamping plate.

Some types of thread and materials, may require a slightly different timing of the take-up than that described above. To **advance** the take-up, loosen the two screws in the clamping plate **T** and move the take-up **S** **counterclockwise**. To **retard** the take-up, move it **clockwise**. After timing the take-up, securely tighten the two screws in the clamping plate **T**.

The needle bar and sewing hook are timed as described on **page 20**.

TO ADJUST THE THREAD TAKE-UP SPRING

The thread take-up spring **X**, **Fig. 20** should have just enough movement so that it will be through acting and will rest against the upper end of the spring regulator **V**, **Fig. 20** when the point of the needle reaches the throat plate on the downward stroke of the needle bar. After loosening the set screw **Y**, **Fig. 20**, the tension will turn with the stud **W**, **Fig. 20** and the spring regulator may be turned to the required position, then tighten the set screw **Y**.

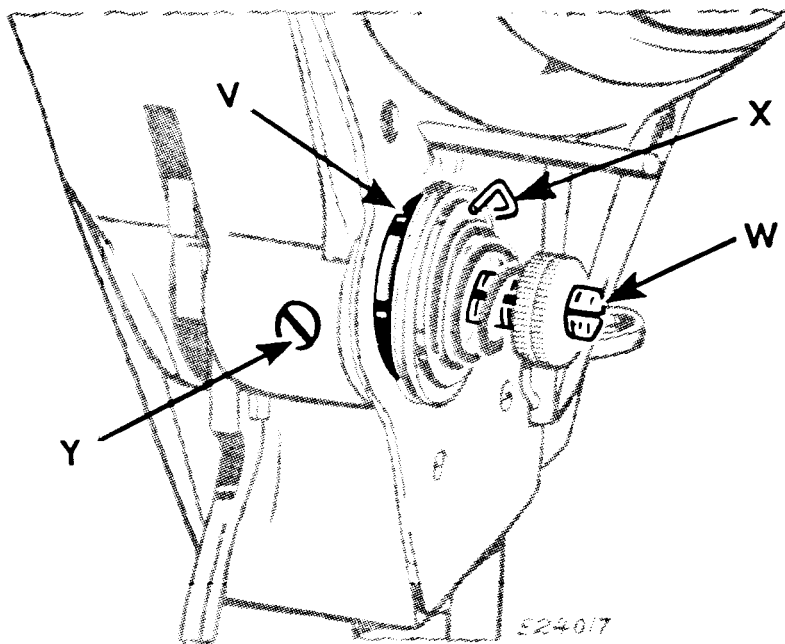


Fig. 20. Take-up Spring Adjustments

The tension on the thread take-up spring **X** is regulated by turning the tension stud **W**, **Fig. 20** to the left to increase the tension, or to the right to decrease the tension. The tension on the thread take-up spring should be just sufficient to take up the slack of the needle thread until the point of the needle reaches the throat plate on the downward stroke of the needle bar.

PRESSER BAR ADJUSTMENTS

The presser bar bushing **A2**, **Fig. 21** should be set so that its top is even with the top of the lifting bracket **B2**, **Fig. 21** when the bracket is all the way down.

The presser bar position guide **C2**, **Fig. 21** should be set about 1/16 inch above the top of the lifting bracket **B2** when the presser foot is down on the throat plate. This setting should leave 1/16 inch clearance between casting and presser bar position guide **C2**.

With the feed dog and presser foot down, there should be a slight free motion in the hand lifter lever so that the presser foot will rest on the work during operation of the machine.

To align the presser foot with the needle, have the presser foot down on the throat plate, loosen the screw **D2**, **Fig. 21**, turn the presser foot to the desired position and retighten the screw **D2**.

The spring **P3**, **Fig. 37**, between the bed casting and collar **O3**, **Fig. 37**, on the knee lifter lifting rod cushions the action of the lifting bracket.

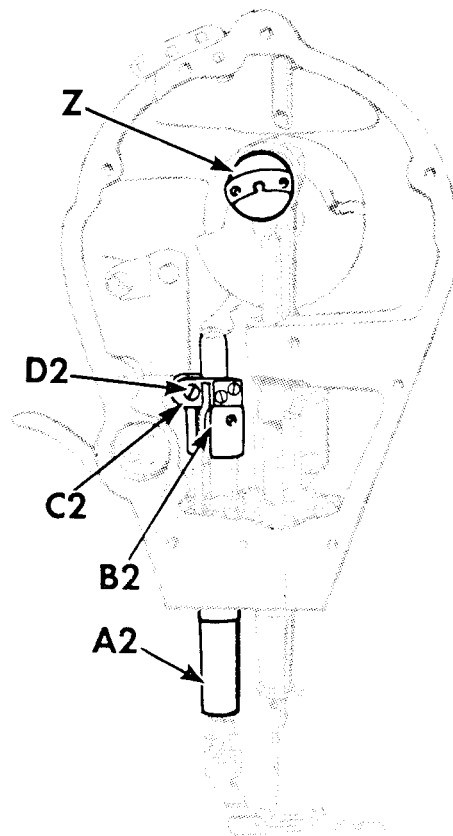


Fig. 21. Face Plate Removed

ADJUSTMENT OF THE TENSION RELEASER

The tension releaser **J2**, **Fig. 22** automatically releases the spring pressure on the tension discs when the presser bar is raised. The releaser may be moved up or down to release the tension earlier or later, by loosening the screw **K2**, **Fig. 22**.

When stitching on heavy material, the releaser should be set lower than when on light work to prevent stitching with a released tension while sewing heavy material.

TO SET THE NEEDLE BAR AT THE CORRECT HEIGHT

When the needle bar is at its highest position, the lower timing mark **H2**, Fig. 22 on the needle bar should be just visible at the lower end of the needle bar bushing **F2**, Fig. 22. If the needle bar is not correctly set, loosen the screw **E2**, Fig. 22 in the needle bar connecting stud and move the needle bar to the correct position.

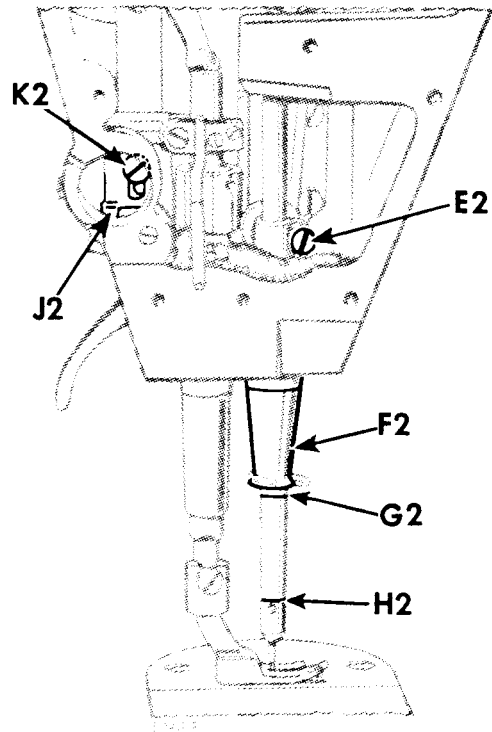


Fig. 22. Setting Needle Bar

TO SET NEEDLE BAR AT THE CORRECT HEIGHT IF NEEDLE BAR BUSHING SETTING HAS BEEN DISTURBED

Set the needle bar when at the bottom of its stroke so that the eye of the needle is above the needle guard of the bobbin case holder just enough to allow freedom for the thread, as shown in Fig. 25. Then with the needle at its highest position, the bushing can be reset by driving it so that the lower timing mark **H2**, Fig. 22 on the needle bar is just visible at the lower end of the bushing.

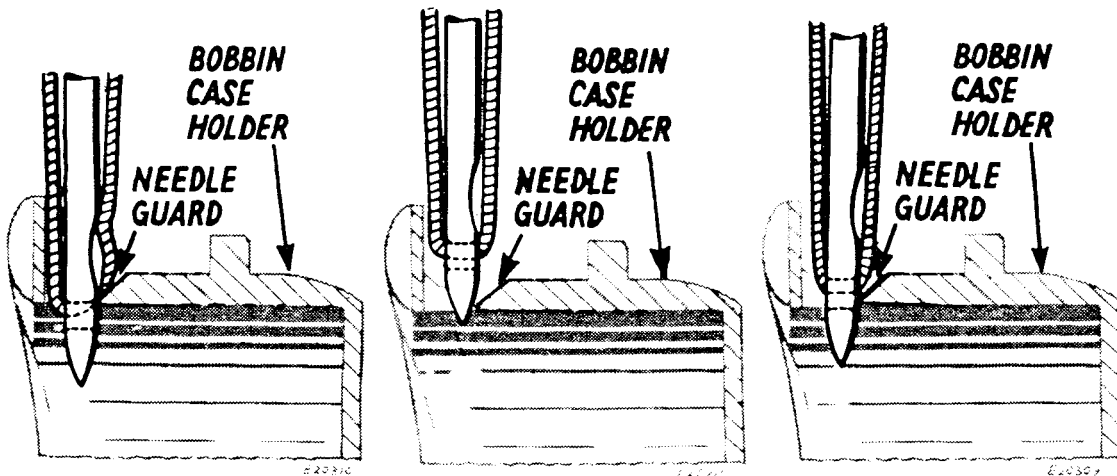


Fig. 23
Needle Too Low When
At Bottom of Stroke

Fig. 24
Needle Too High When
At Bottom of Stroke

Fig 25
Correct Height of
Needle When At
Bottom of Stroke

Turn top of machine pulley over from you until the needle has risen .085 inch (approximately 1/12 inch) from its lowest position. In this position, the hook timing mark **O** on the machine pulley will be in line with the mark **P**, Fig. 27 on the arm casting. Then set the hook so that its point is at the center of the needle and positioned as described on page 20.

TIMING THE SEWING HOOK

First see that the needle bar is correctly set as instructed on **page 19**. Remove presser foot, slide plate, throat plate, bobbin case, feed dog and bobbin case holder position finger. Rotate the bobbin case holder about one-half turn so that it is clear of the needle.

To determine whether the hook is correctly timed, place a new needle in the machine, then turn the top of the machine pulley over from you until the needle bar has started to rise from its lowest position and the upper timing mark **G2, Fig. 22**, is just visible at the lower end of the needle bar bushing **F2, Fig. 22**. In

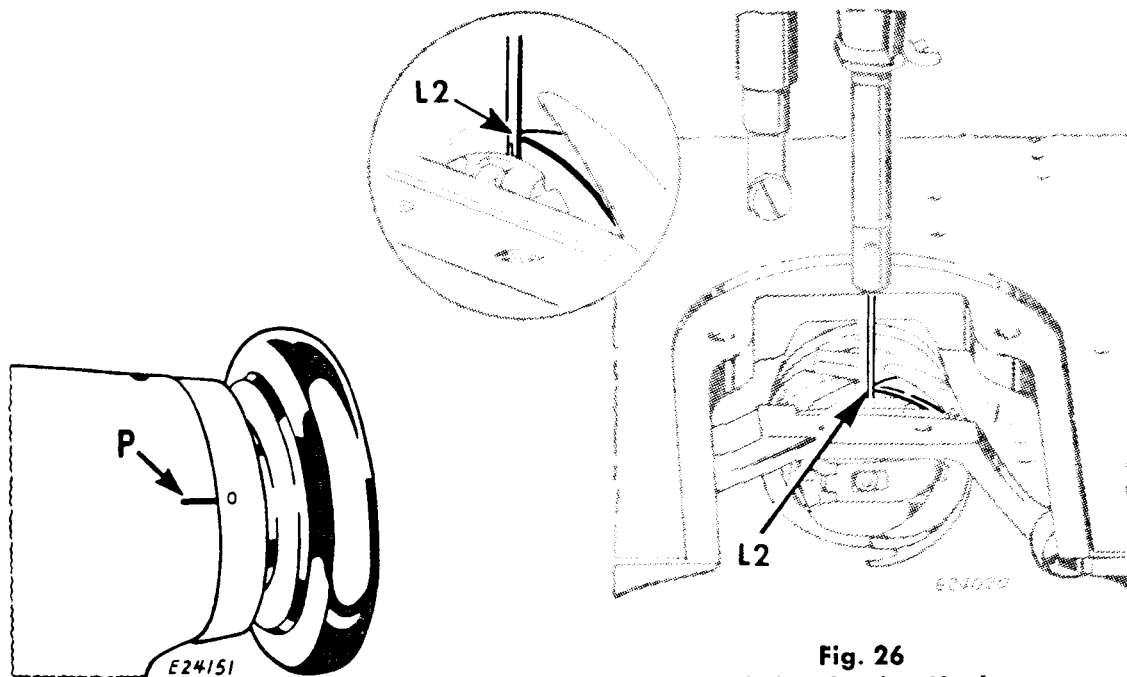


Fig. 27. Showing Timing Mark on Machine Pulley

**Fig. 26
Timing Sewing Hook**

this position, the hook timing mark **O** on the machine pulley will be in line with the mark **P**, **Fig. 27** on the arm casting and the point of the sewing hook should be at the center of the needle, as shown at **L2, Fig. 26**.

If the hook time is incorrect, loosen the two screws **M2, Fig. 32** in the hub of the hook and turn the hook on its shaft to bring into correct timing.

The point of the hook should pass the needle as closely as possible without actually touching it. This is equal to about the thickness of a piece of ordinary note paper. The hook should be placed on the shaft as far as it will go. If it is necessary to move the hook sidewise, loosen the set screw **O2, Fig. 32**, and move the bushing **N2, Fig. 32**, with the hook assembly as required, tapping it to the right or prying it to the left with a screwdriver against the bed casting.

TO DETERMINE CORRECT RELATIONSHIP OF NEEDLE GUARD TO NEEDLE

The function of the needle guard **Fig. 28** of the bobbin case holder is to prevent the hook point from coming into contact with the needle at loop-taking time in case the needle is deflected side-

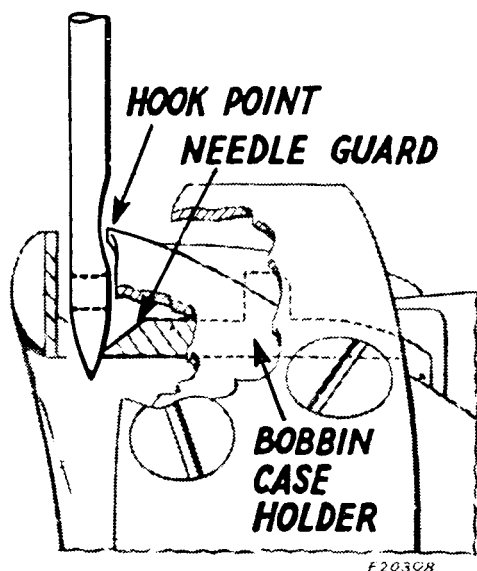


Fig. 28. Showing Correct Relationship of Needle Guard and Sewing Hook Point to Needle at Loop-taking Time

wise toward the hook point. (However, it will, at this time, cause little or no deflection of the needle, as shown in **Fig. 28**). When the needle guard is correctly related to the needle, it will deflect the needle slightly to the left as the needle approaches its lowest position.

It will sometimes be necessary to string the needle guard, as shown in **Fig. 30**, to provide additional clearance for the needle. Before doing this, the machine should be properly adjusted as previously described. Check the settings in the following order:

1. See that needle bar is set at correct height. See **page 19**.
2. Make sure that sewing hook is accurately timed. See **page 20**.
3. See that clearance between sewing hook point and needle is correct. See **page 20**.
4. Rotate bobbin case holder to its normal position and replace position finger.

5. Check position of bobbin case holder position finger **Fig. 29**. The clearance between position finger and bobbin case holder should be just sufficient to allow thickness of thread to pass through easily. Normal setting is for approximately .020 inch clearance, as shown in **Fig. 29**. The finger should also be level with the top of bobbin case holder.

When it is necessary to provide more clearance for needle, remove bobbin case holder from hook and remove a slight amount of metal from needle guard, by using a 1/8 inch strip of very fine emery cloth (about #320), holding one end of the emery cloth in a vise and rubbing the edge of the needle guard along the strip, as shown in **Fig. 30**. Extreme care

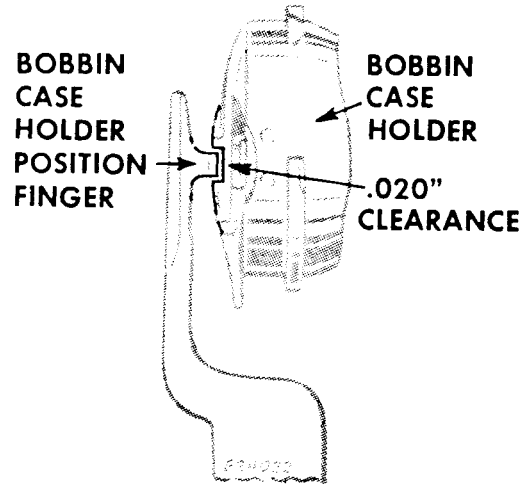


Fig. 29. Showing Thread Clearance Between Bobbin Case Holder Position Finger and Bobbin Case Holder

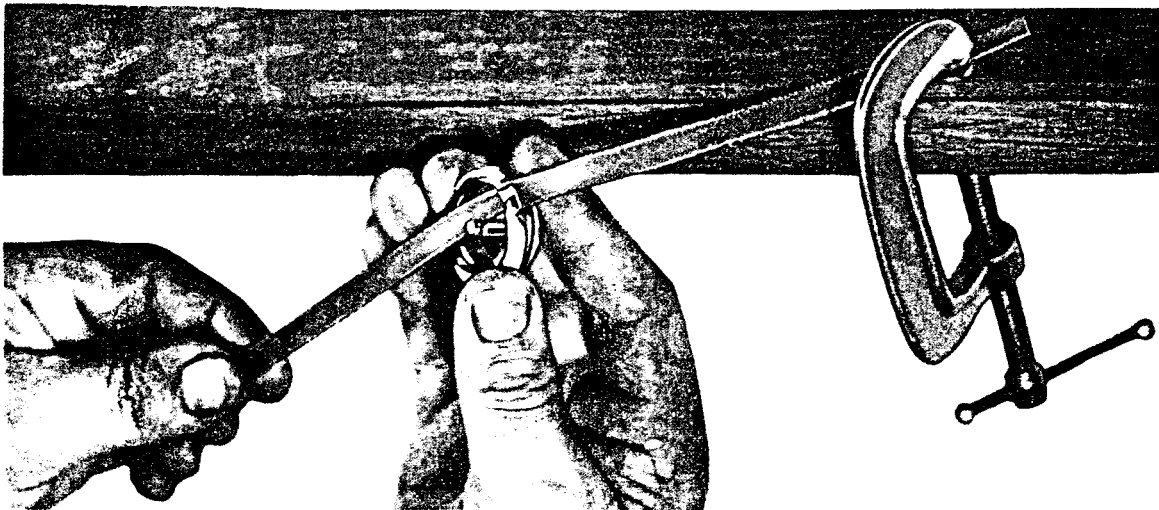


Fig. 30. Stringing Needle Guard of Bobbin Case Holder

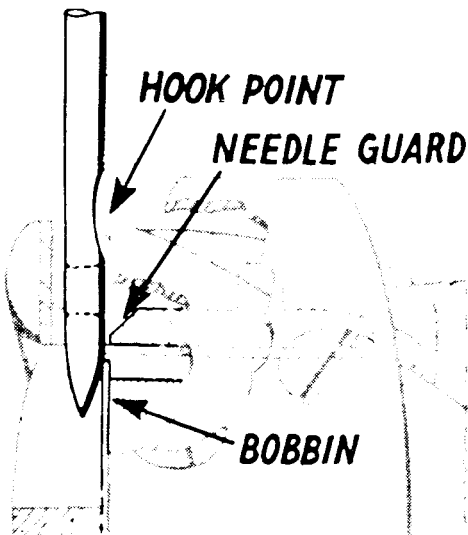


Fig. 31. Showing Needle Striking Bobbin Due to Removal of Too Much Metal from Needle Guard

must be taken not to remove too much metal as this will allow the hook point to rub the needle, causing wear or damage and thus necessitate replacing the hook and the bobbin case holder. Removing too much metal from guard can expose bobbin, permitting needle to strike it as shown in **Fig. 31**, and become damaged or broken and to also damage bobbin. Be sure to clean bobbin case holder thoroughly before replacing it.

TO REMOVE AND REPLACE THE SEWING HOOK

Remove the needle, slide plate and bobbin case. Take out the screw **Q2**, **Fig. 32** and remove the bobbin case holder position bracket **P2**. Loosen the two set screws at **M2** in the hub of the hook, then turn the machine pulley over from you until the feed bar **R2**, **Fig. 33** is raised to its highest point. Turn the sewing hook until the thread guard **T2** is at the bottom, as shown in **Fig. 33**, and turn the bobbin case holder **U2** until it is in the position shown in **Fig. 33**. The sewing hook can then be removed from the hook shaft.

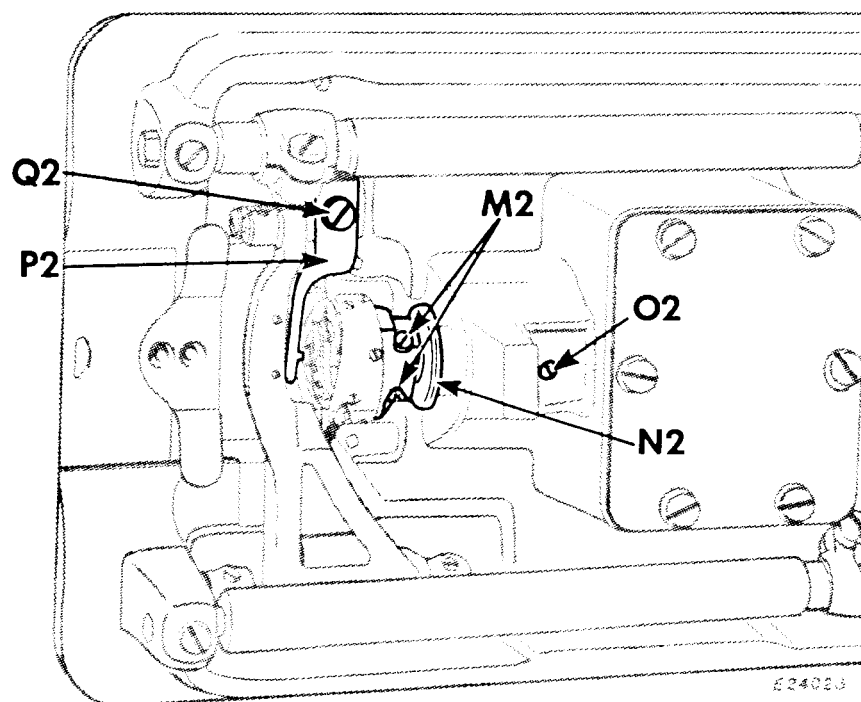


Fig. 32. Removing Hook

When placing a new sewing hook on the shaft, have the thread guard **T2** of the hook at the bottom and the bobbin case holder **U2** turned to the position shown in **Fig. 33**, so that the hook will clear the feed bar **R2**. Press the hook on the shaft up tightly against the shoulder.

When the hook is in position on the shaft, replace needle and retune as instructed on **page 20**. Turn the bobbin case holder **U2** until the notch **S2** is at the top, then replace the bobbin case holder position bracket, being careful to see that the position finger enters the notch at the top of the bobbin case holder, as shown in **Fig. 29**, then securely fasten the position bracket by means of the screw **Q2**, **Fig. 32**. Replace the bobbin case and slide plate.

TO REMOVE THE SEWING HOOK SHAFT

Remove the sewing hook as instructed on **page 23**. Loosen the pinch screw in the feed lifting rock shaft crank **C3**, **Fig. 36** and drop the feed bar **R2**, **Fig. 33** down out of the way. Loosen the bushing set screw **O2**, **Fig. 32** and withdraw the bushing and hook shaft assembly as shown in **Fig. 34**. Take out the two screws **X2**, **Fig. 34** and remove the end bearing **Y2**, **Fig. 34**, then withdraw the shaft and gear.

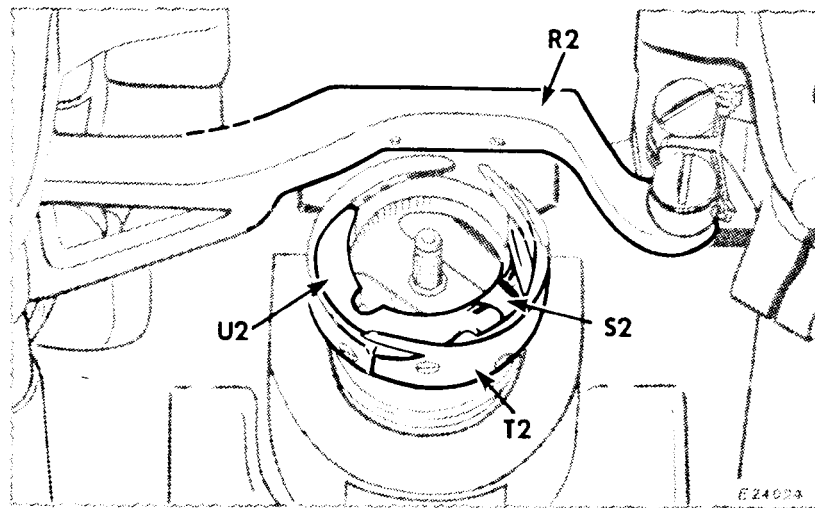


Fig. 33. Showing Correct Position of Thread Guard T2 and Bobbin Case Holder U2 for Removal of Sewing Hook

When assembling the hook shaft bushing, see that the thrust washer on the hook shaft has the raised surface toward the gear. The end bearing **Y2**, **Fig. 34** can be moved endwise enough to control the end play of the hook shaft before tightening the two screws **X2**, **Fig. 34**. When replacing this unit in the machine, be sure that the set screw enters the spline in the bottom of the bushing. See **page 27** when resetting the feed lifting rock shaft.

TO ADJUST ROTATING HOOK SHAFT BUSHING (Pressure Lubricating Type)

The hook shaft bushing contains a regulating screw **V2**, **Fig. 34** for controlling the oil supplied to the sewing hook raceway. Turning in screw **V2** increases amount of oil supplied to the hook, as indicated by the arrow and word "more" on end of bushing; backing this screw out decreases amount supplied, as indicated by the arrow and word "less." Normal adjustment is accomplished by turning this screw in all the way, then backing it out again about 2-1/2 turns. Less than 2-1/2 turns may be required if continuous runs are being made or material with considerable sizing is being stitched.

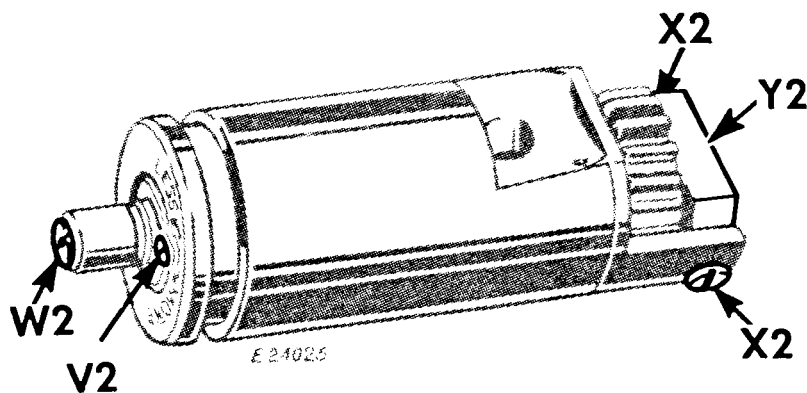


Fig. 34. Adjustment of Oil Flow Regulator in Hook Shaft Bushing

The oil wick complete No. 270176, **W2**, Fig. 34 carried by the hook shaft, at the sewing hook end, should be replaced occasionally as it may become clogged by lint and dirt from the oil.

Oil shield **U3**, Fig. 35 is provided to protect under side of throat plate and throat plate seat.

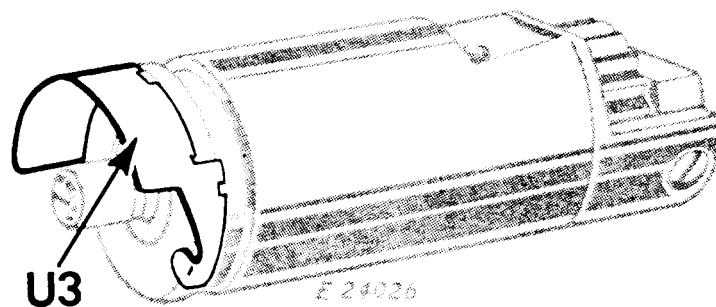


Fig. 35. Oil Shield Attached to Hook Shaft Bushing

If an excess of oil is being delivered to the hook and cannot be controlled by the metering screw **V2**, Fig. 34, check to be sure that the oil wick has not become detached from the filter screw **W2**, Fig. 34 and that the filter screw is securely tightened. Inspect all oil passages in the shaft and bushing to see that they have not become clogged with lint or dirt. If oil wick is too loose, too much oil will flow to the hook raceway.

To test for delivery of oil to the hook, run the machine at normal speed for one minute to remove any excess of oil and to establish a uniform rate of flow. Without stopping the machine, hold a small piece of white paper underneath the hook for 15 seconds without moving the paper during the interval. Remove the paper and inspect. If the paper does not show an oil streak about 1/32" wide, insufficient oil is being delivered to the hook. The most efficient method of testing oil delivery to hook is to remove hook and hold paper under end of hook shaft with machine running at full speed for 15 seconds; the oil streak should then be about 1/16" wide.

TO REMOVE AND REPLACE THE HOOK DRIVING SHAFT

Slip the belt off the lower pulley **F3**, **Fig. 36**, then loosen the two set screws **G3**, **Fig. 36** and remove the pulley from the shaft. Loosen the four set screws **B3** and **E3**, **Fig. 36** in the feed and feed lifting eccentrics, and the two set screws at **N3**, **Fig. 36** in the internal gear. Do not loosen the screw in the collar **J3**, **Fig. 36**. Withdraw the shaft with ball bearing from the pulley end.

When replacing the shaft, make sure oil lead wire is in place in the shaft, and push shaft in, being sure the feed eccentrics are on the shaft in their proper order, until the snap ring on the ball bearing seats on the casting, then tighten gear screws **N3**. Before tightening the screws **B3**, the feed eccentric should be pushed to the left as far as it will go.

Tighten the screws **B3**, **Fig. 36**, having the first screw (as the shaft is turned away from you) enter the groove in the shaft. Then move the feed lifting eccentric to the left as far as it will go and tighten the screws **E3**, with the first or upper set screw in the groove in the shaft. Replace pulley **F3** and belt. Then retime the shaft as instructed on **page 16**.

If it is found necessary to replace the ball bearing on the hook driving shaft, or to reset or replace the hook driving shaft bushing, note that the ball bearing is correctly positioned when the pulley **F3**, **Fig. 36** is flush with the ball bearing on one side and its hub is flush with the end of the shaft on the other. With the ball bearing in this position, place the shaft in the machine and assemble

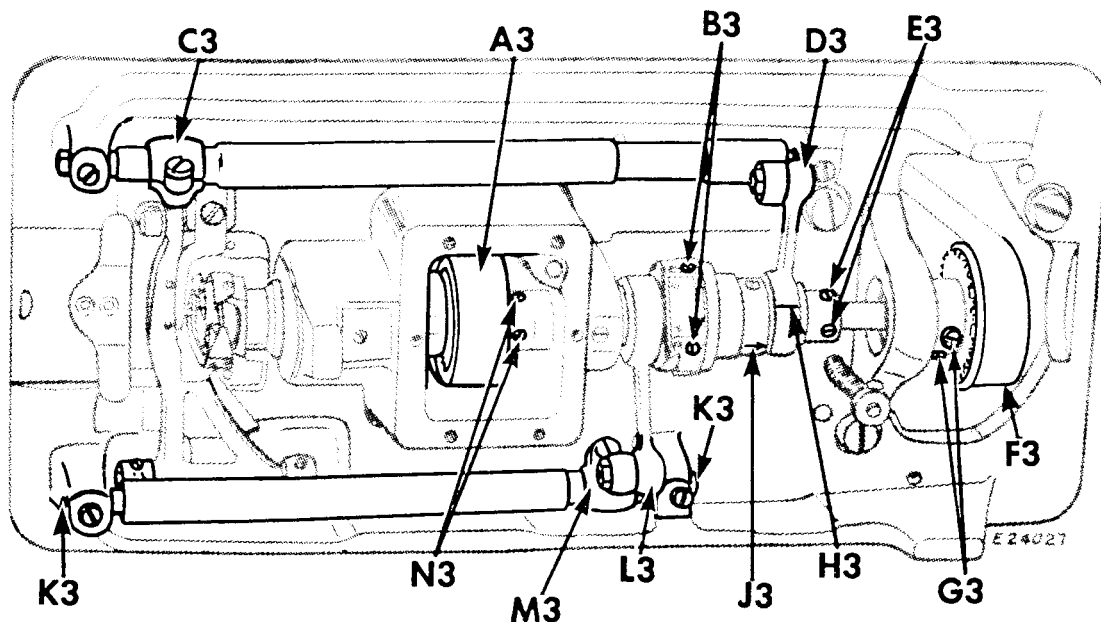


Fig. 36. Underside of Machine

the internal gear **A3**, **Fig. 36** with its inner face flush with the end of the shaft. The hook driving shaft bushing will be correctly positioned when end play has been removed from the shaft by setting the bushing against the hub of the internal gear.

If the feed rock shafts have been disturbed, the small ends of the connections **D3** and **L3**, **Fig. 36** should be disconnected while setting the eccentrics, and enough side play left for the connections so that their free ends can be moved sidewise about 1/32 to 1/16 inch. See paragraph on feed mechanism before assembling the rock shaft connections.

The bearings for the feed rock shafts are fitted with Nylon inserts. These inserts may be removed when worn by inserting a screw in the threaded hole provided for this purpose in the insert.

FEED MECHANISM

If a faster or slower feed timing than the standard setting is desired see **page 26**, loosen the pulley screws **G3**, **Fig. 36** and turn the shaft as desired, then tighten the screws. The hook must then be retimed as instructed on **page 20**.

The feed dog is lined up with slots in the throat plate by moving the bearing centers at **K3**, **Fig. 36** to right or left. It may be centered lengthwise so it will not strike the ends of the slots when making the longest stitch, by loosening the clamp screw in the feed rock shaft crank **M3**, **Fig. 36**.

After removing the feed driving or feed lifting rock shafts, the cranks **M3** and **C3**, **Fig. 36** should be adjusted to right or left until they line up perfectly with the free ends of the connections when the latter are exactly midway between their two extreme side play positions. The cone bearings **D3** and **L3**, **Fig. 36** should then be adjusted by first turning the cone screws down tight and then backing them off about one-eighth of a turn, locking them in position with the lock nut. This gives a minute amount of play in the connection which is necessary for all clearance.

SETTING THE FEED DOG AT THE CORRECT HEIGHT

The feed dog may be raised or lowered by loosening the pinch screw in the feed lifting crank **C3**, **Fig. 36**. The feed dog is usually set so that it shows a full tooth above the throat plate when at its highest position. See that there is no lint packed between the feed dog and the throat plate.

ADJUSTING FEED ECCENTRIC

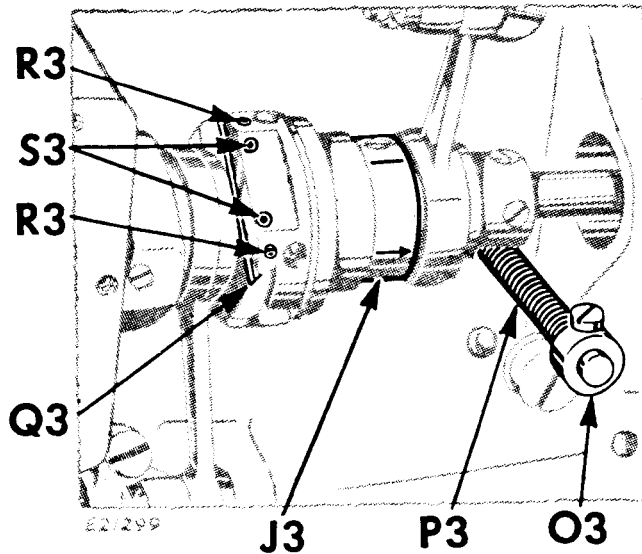


Fig. 37. Feed Eccentric

ing the adjusting screws **S3** firmly, the eccentric will be locked so that the stitch length cannot be changed by unauthorized persons.

A spring held by the collar **J3** presses against the feed eccentric cam to prevent it from moving out of position while the machine is operating. The collar **J3** should ordinarily be set flush with the end of the hub of the eccentric body. The set screw in this collar must enter the timing groove in the eccentric body.

TO REMOVE AND REPLACE THE ARM SHAFT CONNECTION BELT

Remove the needle to avoid damaging it while the arm and hook shafts are out of time. Work the belt off the lower pulley **F3**, Fig. 36.

Loosen the two screws in the pulley groove and remove the machine pulley and the ball bearing which comes out with the pulley. Lift the belt up and draw it out around the arm shaft through the space normally occupied by the ball bearing.

The feed eccentric is provided with a gib **Q3**, Fig. 37 which can be adjusted to take up any loose motion between the feed eccentric and the eccentric body. To adjust the gib, loosen the two locking screws **R3** nearest the gib, then turn in the two adjusting screws **S3** against the gib until all play is eliminated and the eccentric fits snugly in the slot in the eccentric body. Securely tighten the two locking screws **R3**. By tightening

Replace the belt through the ball bearing hole. After placing the belt over the upper pulley **T3, Fig. 39**, replace the machine pulley. To remove all end play from the shaft, lightly tighten the set screws in the machine pulley and, holding the needle bar crank in place, tap the machine pulley into position with the palm of the hand; then tighten screws firmly. Turn the arm shaft until the arrow

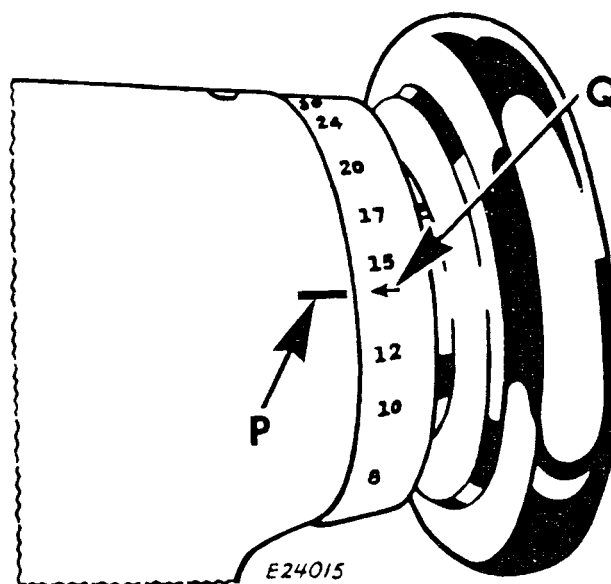


Fig. 38. Timing Arrow on Machine Pulley

Q, Fig. 38 on the machine pulley is in line with the mark **P, Fig. 38** on the arm casting, then turn the lower shaft pulley until the timing mark on the collar **J3, Fig. 36** is opposite the timing mark **H3, Fig. 36**, being careful to see that the two set screws **G3, Fig. 36** are accessible. With the two shafts, in this position, lead the belt onto the lower pulley at the point farthest from you and then, while turning the machine pulley over from you, slide the belt over the rest of the width of the lower pulley. Check the timing of the machine before starting to sew; see **page 16**, and if necessary, loosen the set screws in the lower pulley to bring the upper and lower shafts into exact time.

TO REMOVE THE ARM SHAFT

The arm shaft must be removed from the face plate end of the machine and under no circumstances should an attempt be made to separate the needle bar crank from the shaft, as they are manufactured as a unit for accuracy. Remove face plate **U**, **Fig. 19** and associated parts. Remove the needle set screw. Loosen the needle bar pinch screw **E2**, **Fig. 22**, remove the needle bar through the top of the arm, and remove the needle bar connecting stud. Remove the needle bar crank stud **Z**, **Fig. 21** by loosening the two set screws, reached through hole **R**, **Fig. 19** in the top of the arm. To remove the needle bar connecting link, drop it to its lowest position, draw

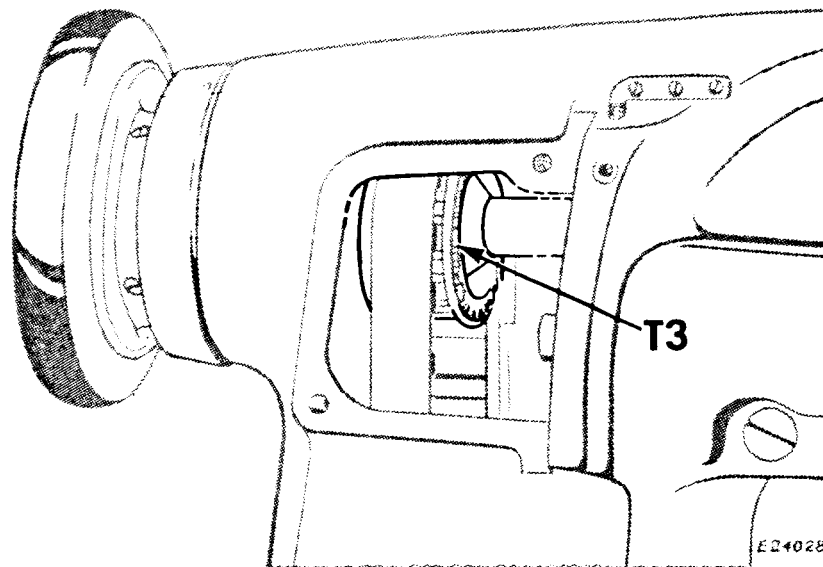


Fig. 39. Showing Upper Pulley

forward out of the guide block, turn at right angles, then draw upward and outward. (If for any reason the needle bar guide block is disturbed, it must be aligned properly when assembling the machine.) Remove the belt as instructed on the preceding page, loosen the spot screw and set screw in pulley **T3**, **Fig. 39** and withdraw the arm shaft and crank from the needle bar end. If it is found necessary to replace the ball bearing, it should be forced onto the shaft until it rests against the oiling felt flange, being careful not to crush the flange.

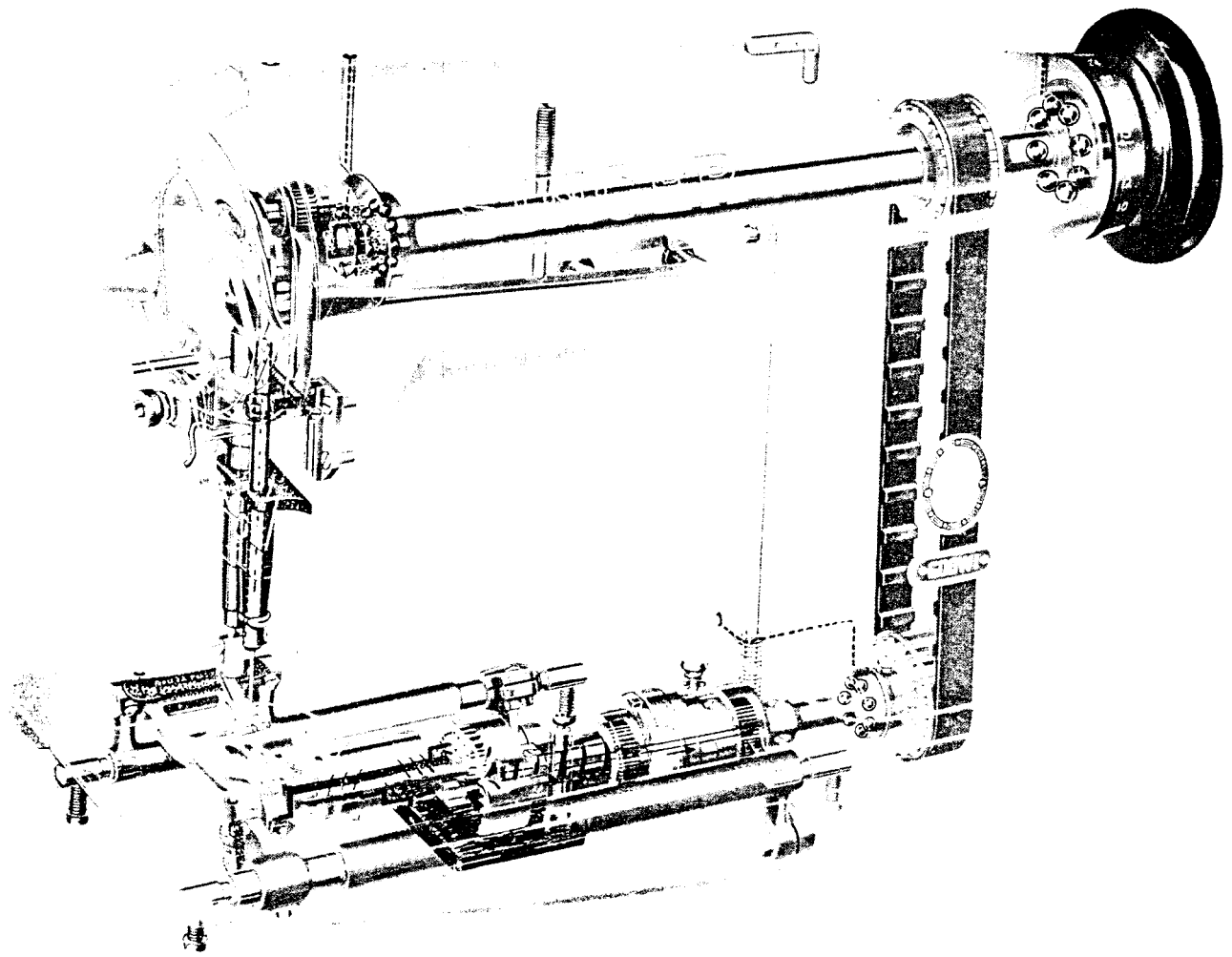
INSTRUCTIONS ON BALL BEARINGS AND NEEDLE BEARINGS

There are three ball bearings and three needle bearings in this machine that will give long, trouble-free life with reasonable care. Oiling instructions given on **pages 4 and 5** should be followed carefully. Care should be taken to see that no foreign matter gets into these bearings when handling them out of the machine.

The ball bearings on the forward end of the arm shaft, and the rear end of the hook driving shaft are forced on into their correct position at the factory and should not be removed except for replacement. When replacing them, make certain that the shielded side is always out and that they are a tight fit on their respective shafts.

The ball bearing on the machine pulley is also a forced fit. Tools for removing the machine pulley from the machine and for removing this bearing can be procured from the SINGER Shops if needed.

The three needle bearings should receive the same care as the ball bearings and should not be removed from their respective housings except for replacement. They should be replaced by pressing on the numbered end of the outside shell as any pressure on the unnumbered end of the shell will distort them and cramp the bearings. After this, care should be taken to see that the needle bearings roll freely in their respective housings.



X-Ray View of Machine 600W1
(Lubricating Points shown in solid black)

PARTS LIST

FOR

MACHINE 600W1

INSTRUCTIONS FOR ORDERING

To simplify ordering of parts, exploded views of the various sections of the mechanism are shown in the same illustration as the assembly of those parts. On the page opposite the illustration is a list of parts with key or reference numbers to indicate the position of that part in the illustration. These key numbers in the first column are for reference only and are not to be used in ordering parts.

In ordering from this list, use **ONLY** the **PART** number in the **SECOND** column.

The number stamped on a Sewing Machine Part is the number of the single part only.

Every combination of parts sent out has its specific number which, although not stamped on Parts, must be used when ordering the combination.

Each number always indicates the **SAME PART** in whatever list it appears, or for whatever Machine.

The letters after some of the numbers indicate the style of finish only, as follows:

- A—Hardened, Polished, Nickel Plated and Buffed.
- AL—Heat Treated for Toughness.
- ALX—Heat Treated for Toughness and Black Oxide.
- C—Hardened only.
- D—Polished only.
- E—Soft, Not polished.
- F—Hardened and Polished.
- W—Polished and Nickel Plated.
- X—Black Oxide, for Iron and Steel.
- XC—Hardened and Black Oxide, for Iron and Steel.
- Z—Chromium Plated.

These letters **MUST BE USED** when they appear in the list and **AFTER** the number, as in the list.

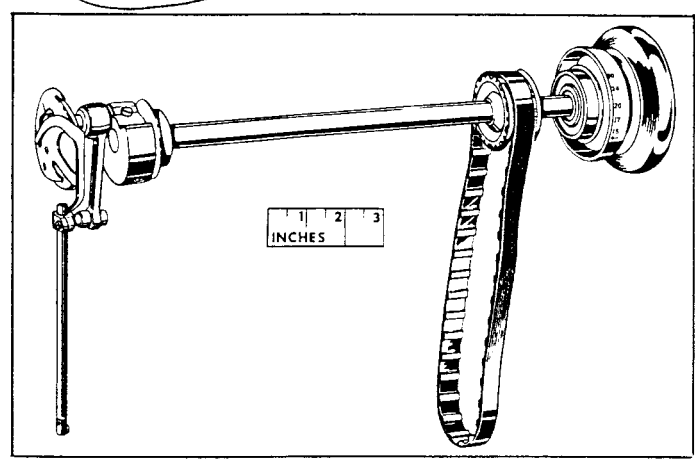
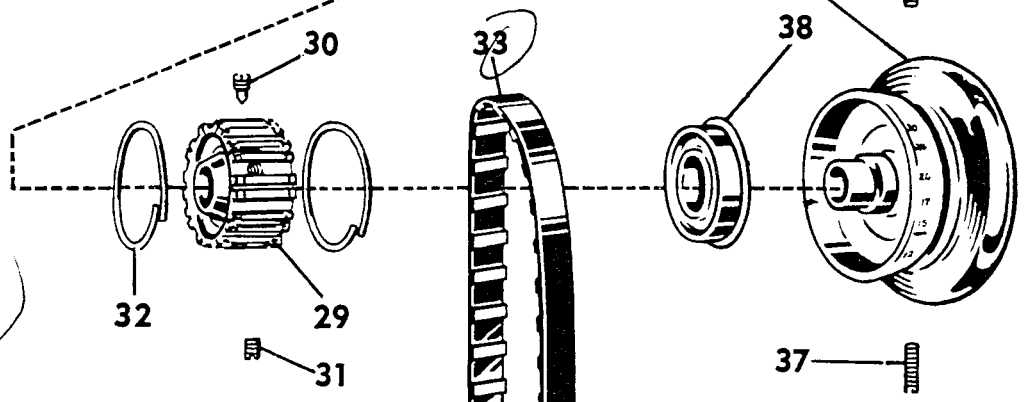
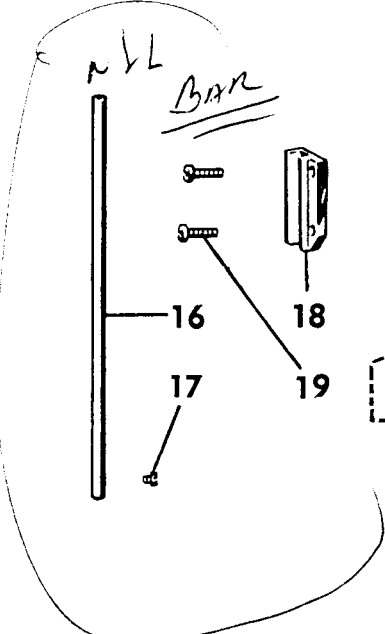
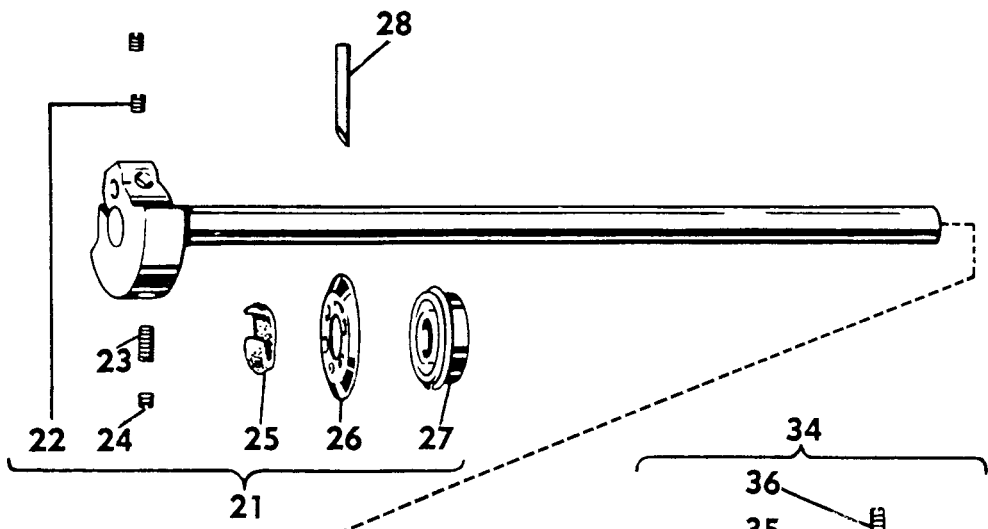
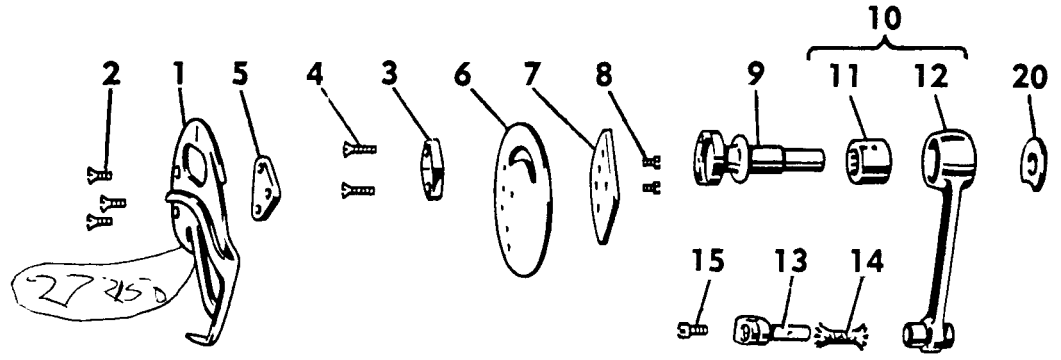
In this series

- 1 to 1500, 200001 to 201500 and 350001 to 351500 are Screw Numbers.
- 1501 to 1800, 201501 to 201800 and 351501 to 351800 are Nut Numbers.
- 1801 to 2000, 201801 to 202000 and 351801 to 352000 are Roller Numbers.
- 2001 to 50000 and 202001 to 350000 are Numbers of Machine Parts.

ARM SHAFT, NEEDLE BAR AND ROTARY TAKE-UP ASSEMBLY

<u>Ref. No.</u>	<u>Part No.</u>	<u>Description</u>
1	276031	Rotary Take-up
2	200577AL	Screw (3)
3	276034	Clamping Plate
4	200567XC	Screw (2)
5	276043	Spacer
6	276032	Adjusting Disc
7	276035	Counter Balance
8	200582X	Screw (2)
9	276020	Connecting Link Hinge Stud
10	276019	Connecting Link 276018 with 270266
11	270266	Needle Bearing
12	276018	Connecting Link
13	270057	Connecting Stud with 200086C and 202330
14	202330	Oil Packing (wick)
15	200086C	Pinch Screw
16	270050	Needle Bar with 350445F
17	350445F	Set Screw
18	270055	Guide Block
19	200054E	Screw (2)
20	270305	Thrust Washer
21	276004	Arm Shaft 276003 with 200333C, 200378C, 270005 and 276021 to 276023
22	200374C	Set Screw
23	200333C	Crank Position Screw
24	200378C	Check Screw
25	276021	Oiling Felt
26	276022	Flange
27	270005	Ball Bearing (front)
28	272120	Oil Leader Tube
29	271127	Belt Pulley with 200363AL, 350492C and two 214206
30	350492C	Position Screw
31	200363AL	Set Screw
32	214206	Spring Flange
33	270926	Connection Belt (reinforced neoprene)
34	272134	Machine Pulley 272133 with 270004
35	272133	Pulley (aluminum alloy casting) for "V" belt (outside diam. of belt groove 2.9 in.) (rim diam. 4 in.) with 350540C and 350541C
36	350540C	Position Screw
37	350541C	Set Screw
38	270004	Ball Bearing (back)

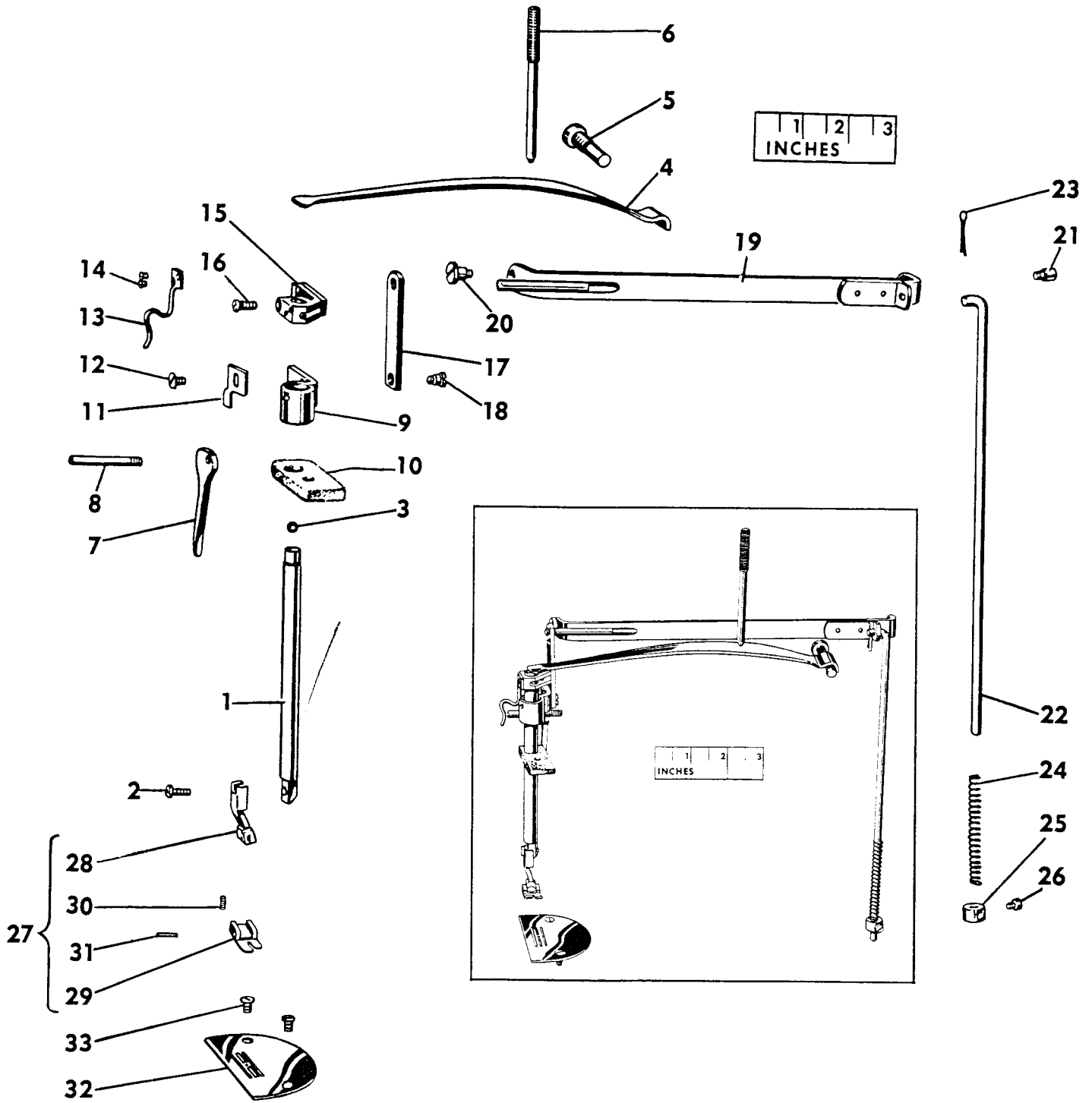
ARM SHAFT, NEEDLE BAR AND ROTARY TAKE-UP ASSEMBLY



**THROAT PLATE, PRESSER BAR, PRESSER FOOT AND
PRESSER FOOT LIFTING ASSEMBLY**

Ref. No.	Part No.	<u>Description</u>
1	272121	Presser Bar with 176X
2	176X	Screw
3	276025	Presser Bar Ball, 7/32 in. diameter
4	272123	Spring
5	350499XC	Screw Stud
6	350538C	Screw (pressure regulating)
7	276027	Presser Bar Lifter
8	350442C	Hinge Screw
9	276028	Lifting Bracket
10	270058	Oiling Felt
11	276048	Tension Releaser (adjustable)
12	200132E	Screw
13	276057	Thread Pull-off
14	200145C	Screw (2)
15	272122	Position Guide with 350411C
16	350411C	Pinch Screw
17	276014	Lifting Link
18	200293C	Hinge Screw
19	272119	Rock Frame
20	200272C	Hinge Screw (front)
21	200679F	Hinge Screw (back)
22	276015	Lifting Rod with 202302
23	202302	Cotter Pin
24	276016	Spring
25	227227	Collar with 200113F
26	200113F	Set Screw
27	62927	Presser Foot (spring hinged) complete, Nos. 26231, 62527, 62925 and 62926
28	62926	Shank
29	62925	Plate
30	26231	Spring
31	62527	Hinge Pin
32	143272XC	Throat Plate (medium needle hole) for 52031
33	691X	Screw (2)

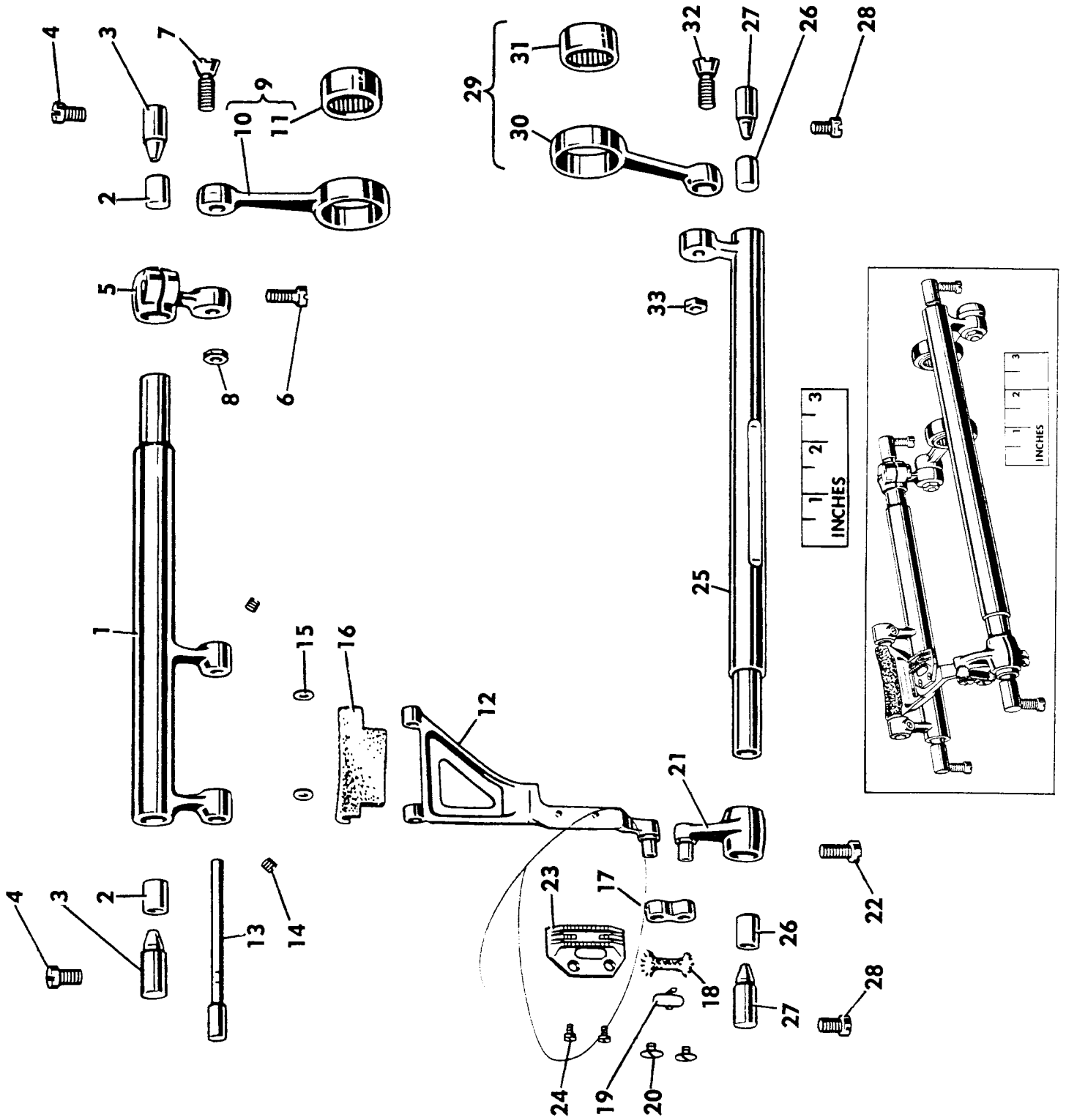
THROAT PLATE, PRESSER BAR, PRESSER FOOT AND
PRESSER FOOT LIFTING ASSEMBLY



LOWER FEED ASSEMBLY WITH FEED DOG

<u>Ref. No.</u>	<u>Part No.</u>	<u>Description</u>
1	272116	Feed Driving Rock Shaft with two each 200394C and 270942
2	270942	Insert (nylon)
3	270941	Center (2)
4	201254C	Set Screw (2)
5	272113	Feed Driving Connection Crank with 200040E
6	200040E	Pinch Screw
7	200545C	Hinge Screw
8	201522E	Nut
9	270014	Feed Driving Connection 270013 with 270016
10	270013	Connection
11	270016	Needle Bearing
12	272106	Feed Bar
13	272107	Hinge Pin
14	200394C	Set Screw
15	272108	Thrust Washer (2)
16	272112	Lubricating Felt
17	272110	Lifting Link
18	272115	Oiling Wick
19	272111	Clamp
20	200169C	Cap Screw (2)
21	272109	Feed Bar Lifting Crank with 200040E
22	200040E	Pinch Screw
23	52031	Feed Dog, 19 teeth (22 teeth to the inch) for 143272XC
24	50117E	Screw (2)
25	272118	Feed Lifting Rock Shaft with two 270942
26	270942	Insert (nylon)
27	270941	Center (2)
28	201254C	Set Screw (2)
29	270014	Feed Lifting Connection 270013 with 270016
30	270013	Connection
31	270016	Needle Bearing
32	200545C	Hinge Screw
33	201522E	Nut

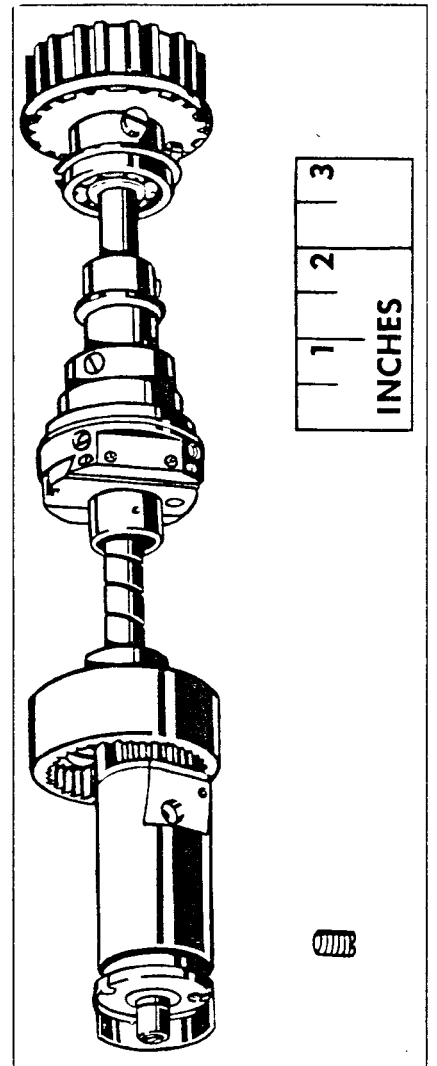
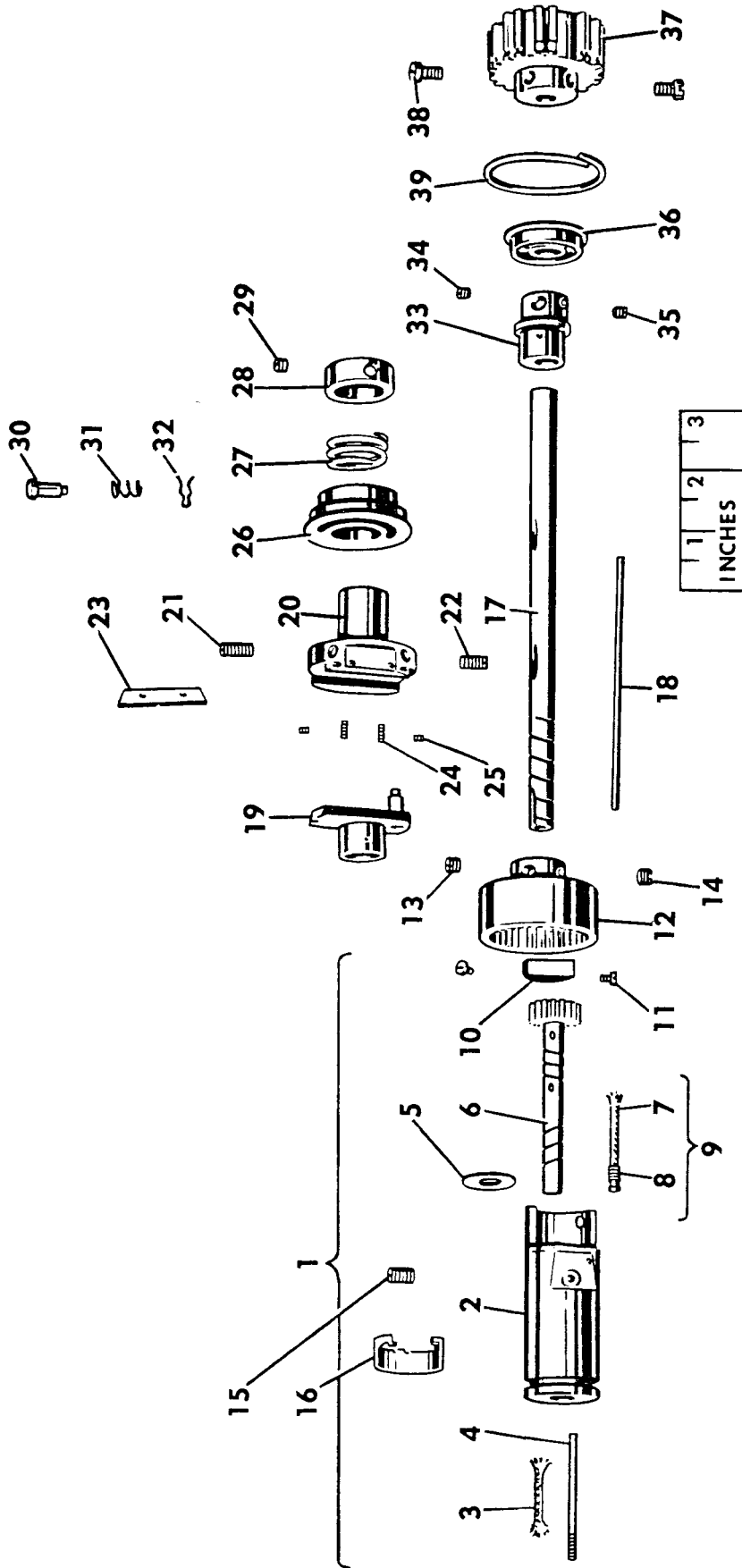
LOWER FEED ASSEMBLY WITH FEED DOG



FEED DRIVING, FEED LIFTING AND ROTATING HOOK SHAFT BUSHING ASSEMBLY

Ref. No.	Part No.	Description
1	276060	Rotating Hook Shaft Bushing complete, Nos. 268258, 270044, 270163, 270164, 276059, 276062, 350498E and two 201215D
2	270163	Hook Shaft Bushing
3	268258	Oil Packing (wick)
4	350498E	Oil Regulating Screw
5	270044	Thrust Washer
6	276059	Shaft
7	202423	Oil Filter Wick
8	276061	Holder
9	276062	Oil Filter complete, Nos. 202423 and 276061
10	270164	End Bearing
11	201215D	Screw
12	276047	Driving Shaft Gear (internal teeth) with 200382C and 201220C
13	201220C	Position Screw
14	200382C	Set Screw
15	200346C	Set Screw
16	270879	Oil Guard
17	276044	Driving Shaft
18	270036	Oil Lead Wire
19	270017	Feed Driving Eccentric
20	270944	Flange with 200333C, 200346C, two each 350562XC and 350578XC
21	200333C	Position Screw
22	200346C	Set Screw
23	240231	Eccentric Friction Gib
24	350578XC	Adjusting Screw
25	350562XC	Set Screw
26	270018	Adjusting Disc
27	270137	Spring
28	276009	Collar with 201220C
29	201220C	Set Screw
30	270140	Feed Regulating Stud
31	270026	Spring
32	240245	Retaining Spring
33	272117	Feed Lifting Eccentric with 200382C and 201220C
34	201220C	Position Screw
35	200382C	Set Screw
36	270032	Driving Shaft Ball Bearing
37	270169	Belt Pulley with 214206 and two 200070C
38	200070C	Set Screw
39	214206	Spring Flange

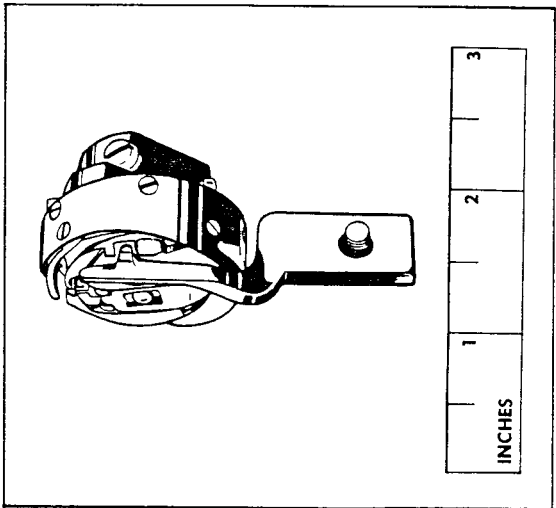
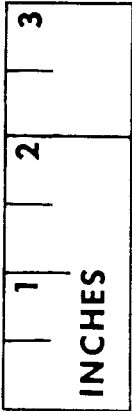
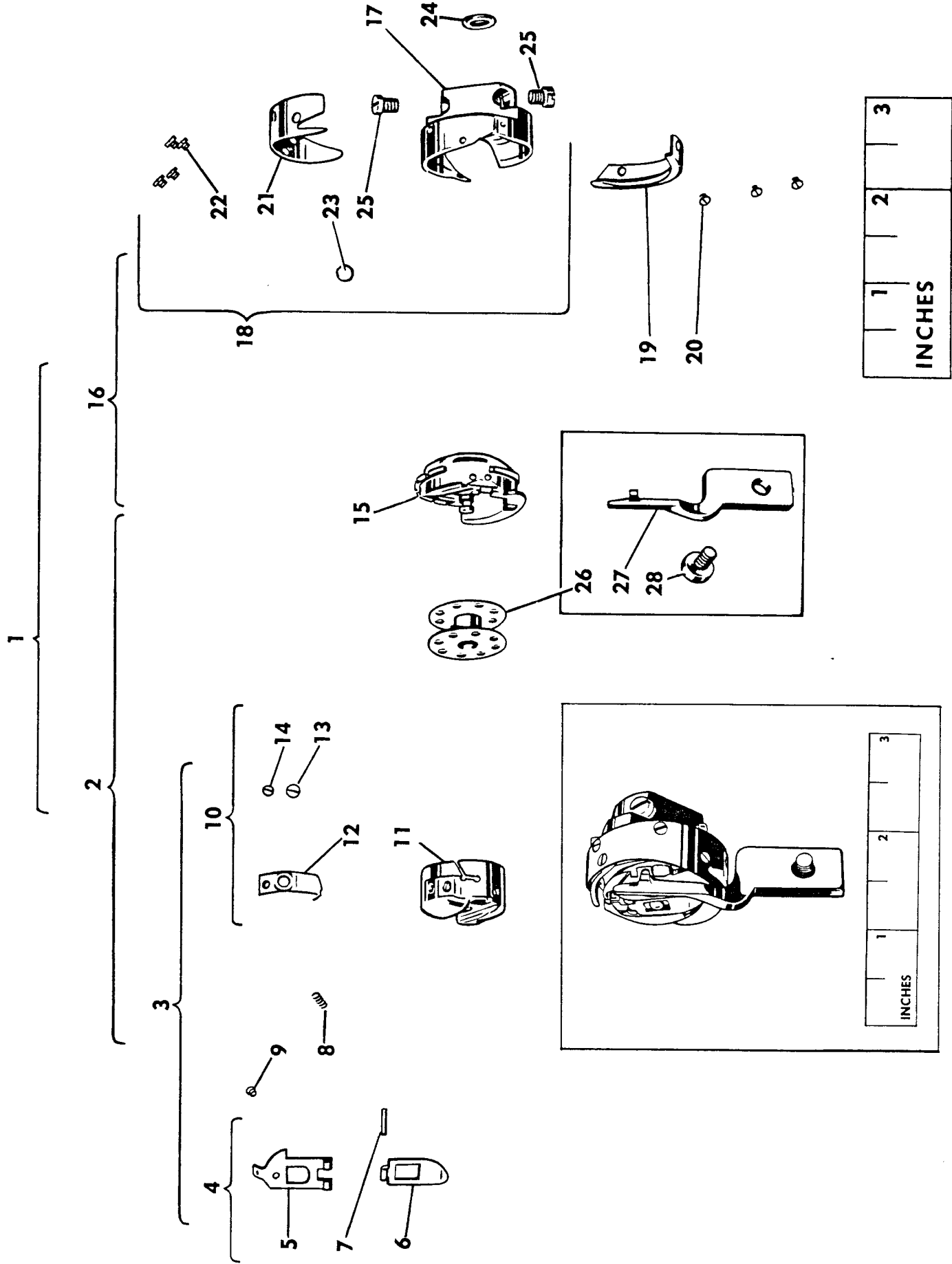
FEED DRIVING, FEED LIFTING AND ROTATING HOOK
SHAFT BUSHING ASSEMBLY



HOOK AND BOBBIN CASE COMPLETE

<u>Ref. No.</u>	<u>Part No.</u>	<u>Description</u>
1	272130	Hook 272129 with 270939
2	270873	Bobbin Case 270939 with 270872
3	270939	Case complete, Nos. 592E, 2975, 40393 and 270938
4	40393	Hinge, Nos. 2974, 40392 and 125320
5	40392	Latch
6	125320	Lever
7	2974	Fulcrum Pin
8	2975	Spring
9	592E	Stop Screw
10	270938	Case 270937 with 591F, 1380E and 40394
11	270937	Case
12	40394	Tension Spring
13	591F	Regulating Screw
14	1380E	Screw
15	270872	Case Holder (chromium plated)
16	272129	Hook 270869 with 270872, 272132 and three 1367E
17	270868	Hook with 143301, 270878 and two 1253AL
18	270869	Hook 270868 with 270874XC and four 1053E
19	272132	Section
20	1367E	Screw
21	270874XC	Thread Guard
22	1053E	Screw
23	143301	Oil Wick (felt)
24	270878	Retaining Washer (felt)
25	1253AL	Set Screw
26	270010	Bobbin
27	272131	Position Bracket
28	200077D	Screw

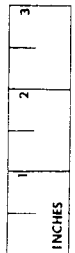
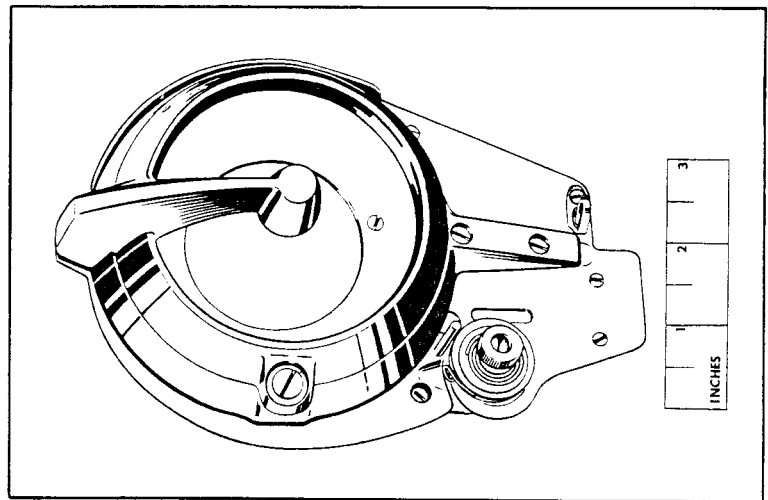
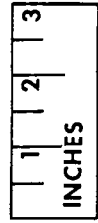
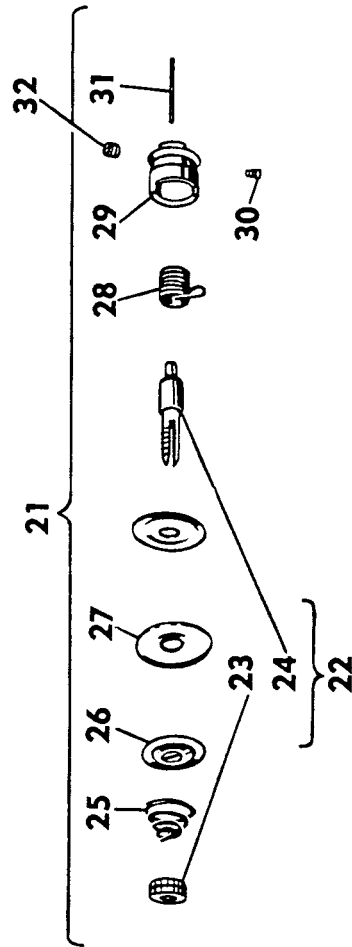
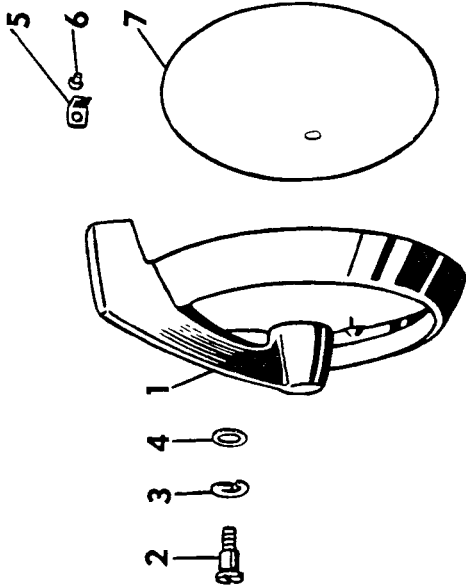
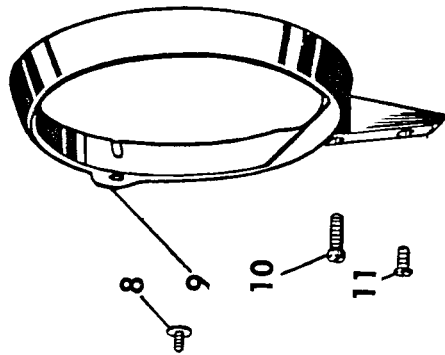
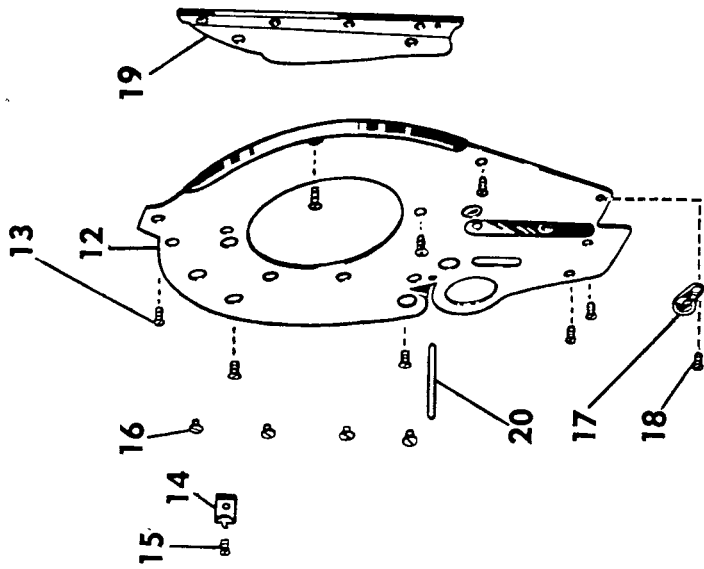
HOOK AND BOBBIN CASE COMPLETE



FACE PLATE, TENSION AND THREAD GUARD

<u>Ref. No.</u>	<u>Part No.</u>	<u>Description</u>
1	272127	Rotary Take-up Guard Cover
2	200263XC	Hinge Screw
3	67425	Spring Washer
4	230743	Thrust Washer
5	276056	Friction Plate
6	200166X	Screw
7	272128	Window
8	200161X	Screw
9	272126	Guard
10	200049X	Screw (long)
11	201387X	Screw (short)
12	272104	Face Plate with 272105 and four 200586X
13	350503X	Screw (8)
14	276050	Thread Cutter
15	200583X	Screw
16	200586X	Thread Guard Screw
17	276051	Thread Guide
18	350503X	Screw
19	272105	Thread Guard
20	276055	Guide Pin
21	276049	Tension complete, Nos. 13710, 32572, 39652, 52083, 52098, 270086 and two 2102
22	52098	Tension Stud 50304C with 1560C
23	1560C	Thumb Nut
24	50304C	Stud
25	13710	Spring
26	32572	Releasing Disc
27	2102	Disc
28	39652	Thread Take-up Spring
29	52083	Regulator with 50305C
30	50305C	Set Screw
31	270086	Releasing Pin
32	453XC	Set Screw

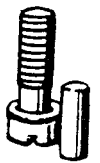
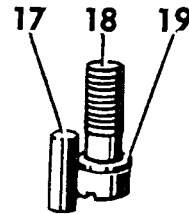
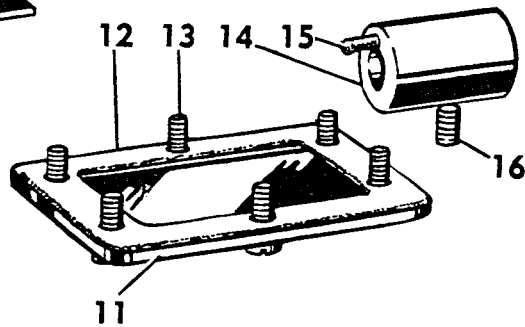
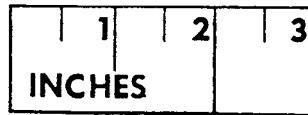
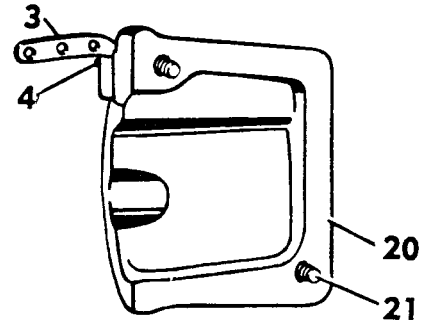
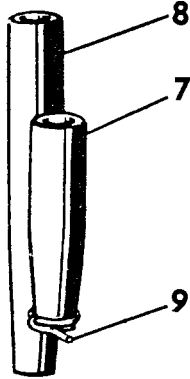
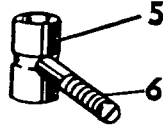
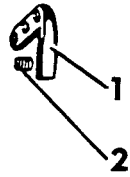
FACE PLATE, TENSION AND THREAD GUARD



**MISCELLANEOUS BUSHINGS, SIDE COVERS
AND BED SLIDE**

<u>Ref. No.</u>	<u>Part No.</u>	<u>Description</u>
1	276052	Thread Retainer (front) <i>240034</i>
2	200397X	Set Screw
3	270080	Thread Retainer (rear)
4	200366X	Set Screw
5	270261	Needle Bar Bushing (upper)
6	350550AL	Set Screw
7	270124	Needle Bar Bushing (lower)
8	276026	Presser Bar Bushing
9	263118	Thread Guide (on Needle Bar Bushing)
10	270009	Bed Slide
11	270038	Oil Reservoir Cover
12	270039	Gasket
13	200041X	Screw (6)
14	276045	Driving Shaft Bushing with 276046
15	276046	Oil Packing (wick)
16	200346C	Set Screw
17	204235	Arm Position Pin (2)
18	200004E	Screw (3)
19	202005	Washer (3)
20	272102	Cover (back)
21	200053X	Screw (2)

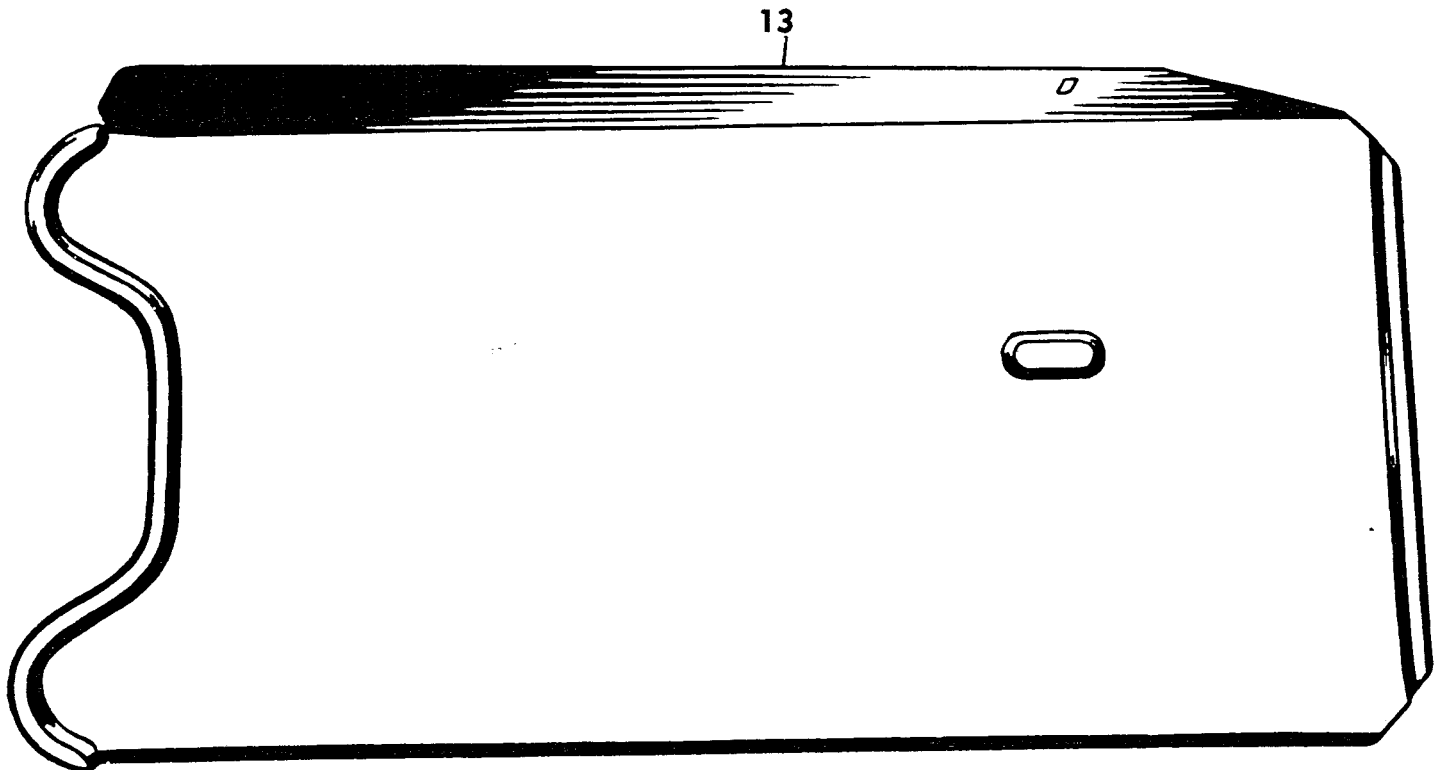
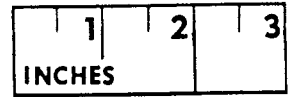
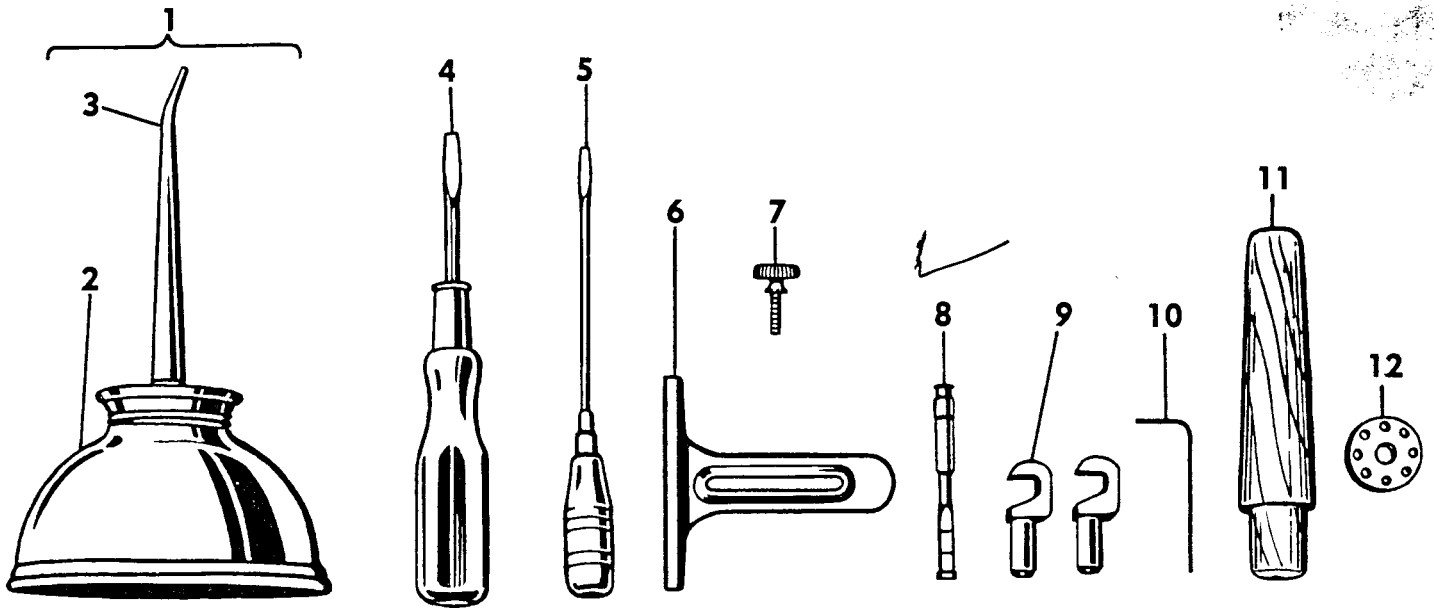
MISCELLANEOUS BUSHINGS, SIDE COVERS AND BED SLIDE



ACCESSORIES

<u>Ref. No.</u>	<u>Part No.</u>	<u>Description</u>
1	228493	Oiler 120342 filled with oil
2	120342	Oiler (copper plated) with 120343
3	120343	Spout (3-1/2 in. long)
4	259477	Screw Driver (5 in. long)
5	228476	Screw Driver (Bobbin Case)
6	25878	Cloth Guide
7	50190W	Thumb Screw
8	270155	Oil Gauge
9	12361	Machine Hinge Connection (2)
10	240566	Wrench (3/32 in. Hex.)
11	41400	Machine Rest Pin (wood)
12	270010	Bobbin (2)
13	228478	Drip Pan with four 3/4 in. wire nails
	88x1	Needles, six, size 16
Form 3122W		Instruction Book

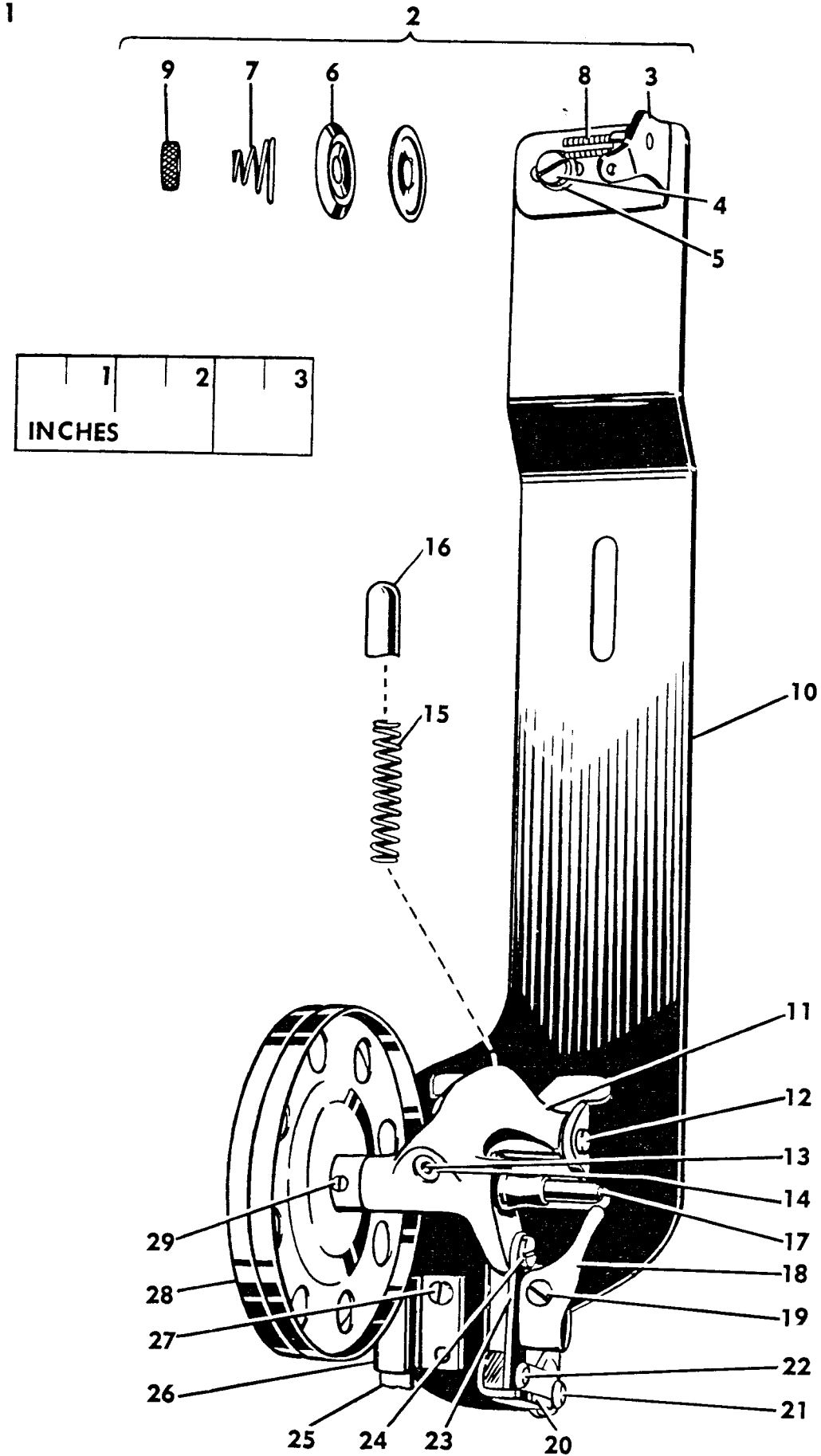
ACCESSORIES



**BOBBIN WINDER (SWINGING AUTOMATIC, RIGHT HAND)
FOR "V" BELT DRIVE**

<u>Ref. No.</u>	<u>Part No.</u>	<u>Description</u>
1	259462	Universal Bobbin Winder complete, Nos. 200056E, 200082D, 200113F, 200299X, 202478, 225381, 225444, 225453 to 225456, 225458, 225462, 228026, 259428, 259429, 259461, 259662, two each 225459 and wood screws 3/4 in., No. 12, R.H.B.
2	225462	Tension Bracket complete, Nos. 13710, 201572X, 225461 and two 2102
3	225461	Tension Bracket with 201499X
4	200082D	Screw
5	228026	Washer
6	2102	Disc
7	13710	Spring
8	201499X	Stud
9	201572X	Thumb Nut
10	259662	Tension Bracket Base
11	225453	Frame with 202277 and 259660
12	225454	Hinge Pin
13	202277	Oil Packing (wick)
14	259660	Well Washer
15	225455	Spring
16	225456	Plunger
17	225381	Spindle
18	225444	Stop Latch
19	200056E	Screw
20	225458	Thumb Lever
21	225459	Hinge Stud
22	225459	Joint Stud
23	202478	Trip Lever
24	200299X	Hinge Screw
25	259428	Brake (leather)
26	259429	Clamp
27	200113F	Screw
28	259461	Pulley with 200380C
29	200380C	Set Screw

BOBBIN WINDER (SWINGING AUTOMATIC, RIGHT HAND) FOR "V" BELT DRIVE

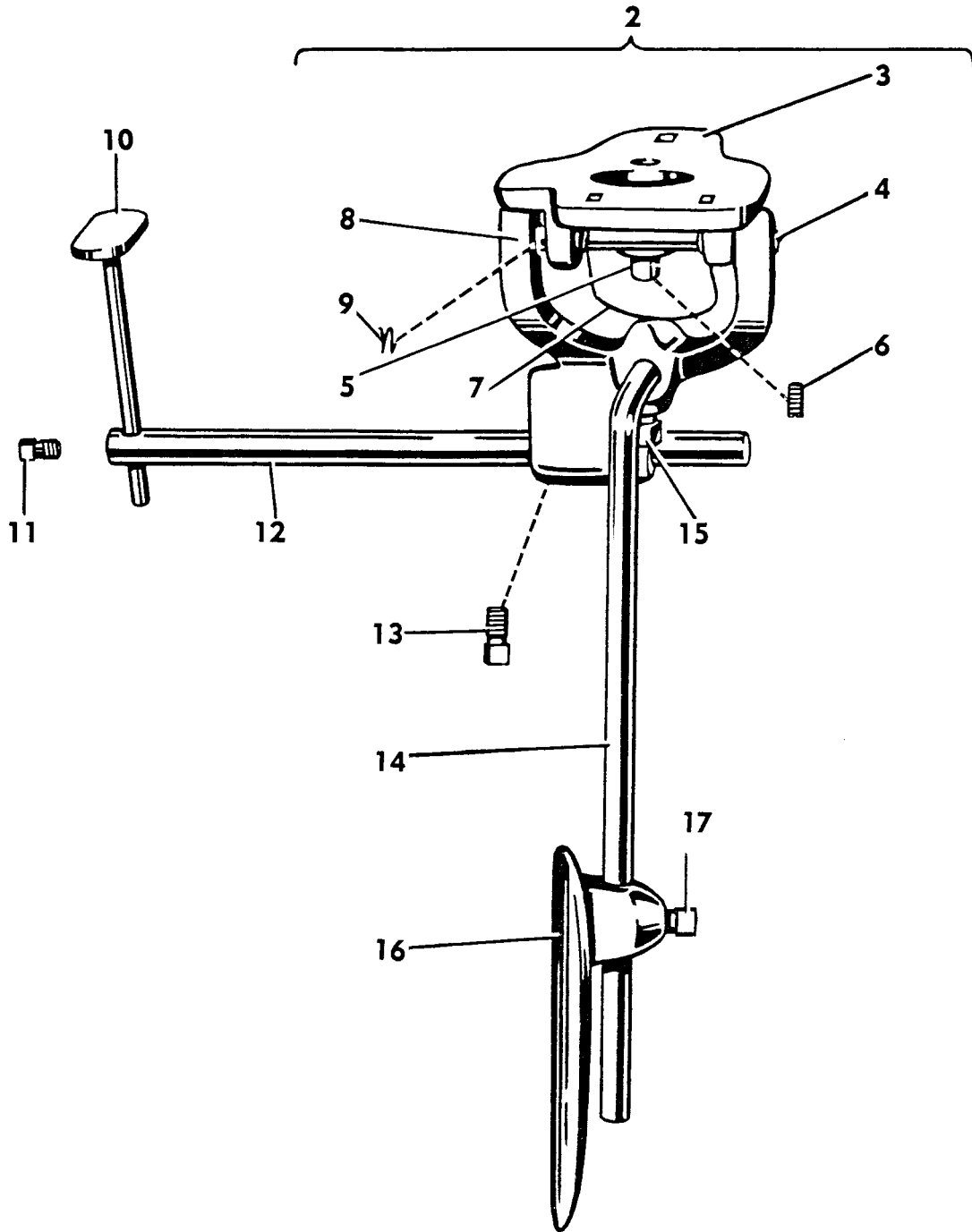


KNEE LIFTER

<u>Ref. No.</u>	<u>Part No.</u>	<u>Description</u>
1	228710	Knee Lifter Rock Lever complete, Nos. 228364, 228365, 228370, 228388 and 228709
2	228709	Bracket 228707 with 228363, 228367, 228386, 228455 and 228713
3	228707	Bracket with 200347AL and three wood screws 7/8 in., No. 12
4	228363	Hinge Pin
5	228367	Stop Stud
6	200347AL	Set Screw
7	228455	Position Spring
8	228713	Rock Lever with two 350231C
9	228386	Spring
10	228365	Rod
11	200530C	Set Screw
12	228370	Extension with 200530C
13	350231C	Set Screw
14	228388	Knee Plate Arm
15	350231C	Set Screw
16	228364	Knee Plate with 350231C
17	350231C	Set Screw

KNEE LIFTER

1

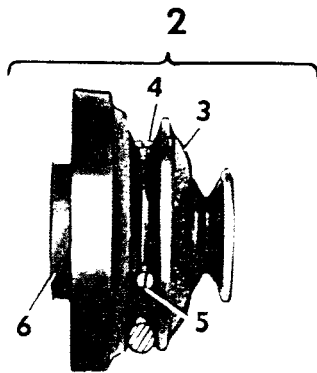
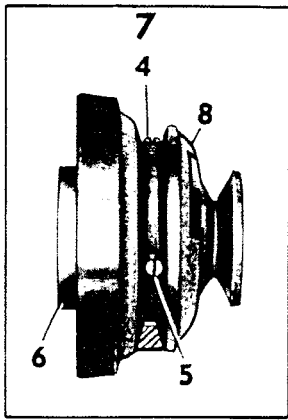


FITTINGS**PULLER FEED**

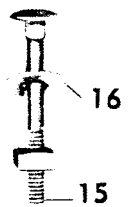
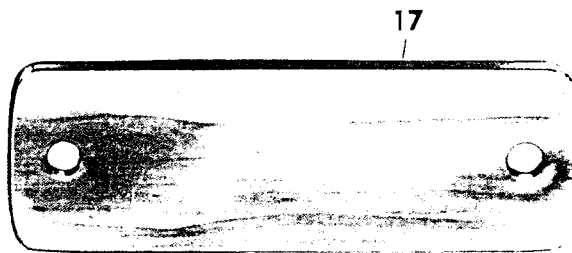
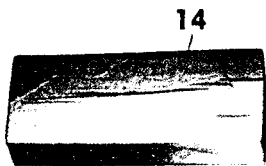
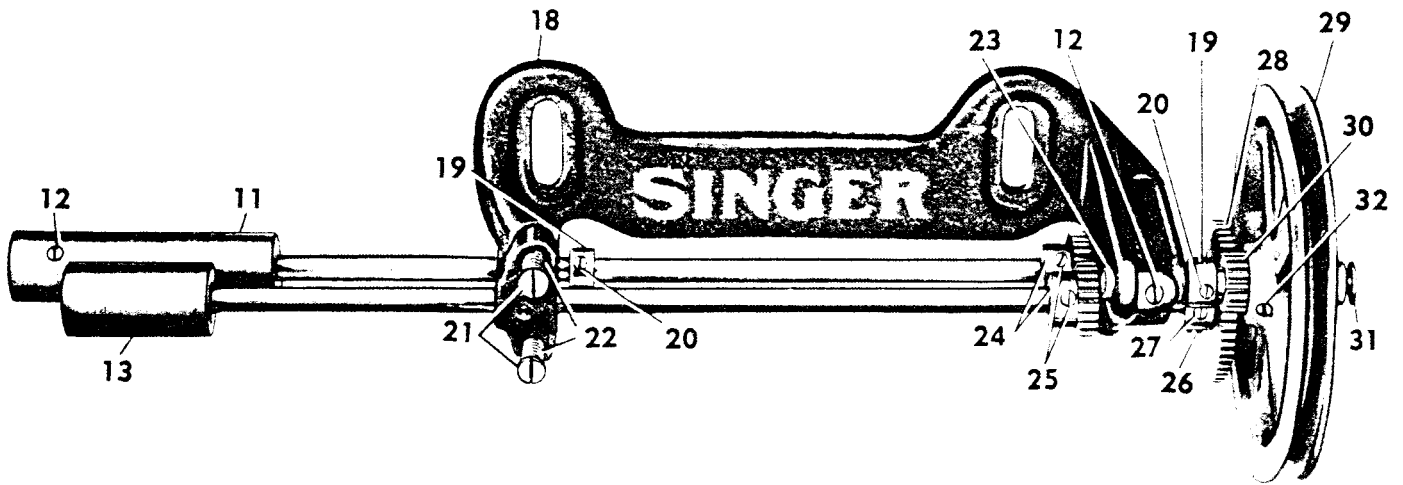
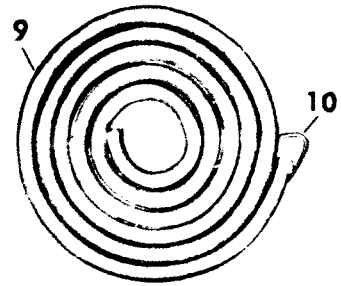
<u>Ref. No.</u>	<u>Part No.</u>	<u>Description</u>
1	259474	Puller Feed Device complete, Nos. 200095B, 225190, 237751, 259055, 259057, 259064, 259464, 259467 to 259469, 259471, 259472, two each 9842R, 200710, 259063 and 259470
2	259464	Machine Pulley 259463 with 270004
3	259463	Pulley (2-1/8 and 1 in. diam.) with 201346C and 350107C
4	350107C	Position Screw
5	201346C	Set Screw
6	270004	Ball Bearing (back)
7	259466	Machine Pulley 259465 with 270004
8	259465	Pulley (2.9 in. and 1 in. diam.) with 201346C and 350107C
9	225190	Belt 1/4 in. diam., 39-1/2 in. long with 25128
10	25128	Hook
11	259471	Roll and Shaft (lower) with 200364C
12	200364C	Set Screw
13	259472	Roll and Shaft (upper)
14	259064	Work Guide (wood)
15	200710	Base Bolt
16	9842R	Washer
17	259055	Block (wood) (for use on table)
18	259467	Base with 200364C, 259061, two each 200902D and 205796
19	259470	Collar with 201188C
20	201188C	Set Screw
21	200902D	Bearing Screw
22	205796	Spring
23	259469	Driving Pulley Shaft
24	259063	Gear with 200394C
25	200394C	Set Screw
26	200382C	Set Screw
27	201220C	Position Screw
28	237751	Driving Gear with 200382C and 201220C
29	259468	Pulley (groove 4-1/4 in. diam.) with 200373C
30	259057	Pinion
31	200095B	Cap Screw
32	200373C	Set Screw

Note: Machine Pulley No. 259466, for Machines with "V" belt drive will be furnished with this Device complete in place of Machine Pulley No. 259464 if so specified on order

FITTINGS



1



FITTINGS
FOR BUTTON STAYS

<u>Ref. No.</u>	<u>Part No.</u>	<u>Description</u>
1	26603	Feed Dog
2	50117E	Screw
3	120144	Presser Foot (hinged) complete, Nos. 7298, 19335 and 120143
4	19335	Shank
5	7298	Hinge Pin
6	120143	Plate
7	176X	Screw
8	26605XC	Throat Plate (large needle hole)
8	26606XC	Throat Plate (small needle hole)
9	691X	Screw
10	121653	Hemmer on Shank, for 9/16 in. hem
11	50190W	Attachment Thumb Screw

PIPING ATTACHMENT

12	44256XC	Throat Plate (large needle hole)
12	44255XC	Throat Plate (small needle hole)
13	44253	Feed Dog
14	52056	Presser Foot
15	35245	Piping Attachment complete, for piping house dresses

HEMMERS (FOOT)

16	225421	Hemmer (foot) for 3/32 in. hem
17	225422	Hemmer (foot) for 5/32 in. hem
18	225423	Hemmer (foot) for 5/64 in. hem
19	225424	Hemmer (foot) for 1/8 in. hem
20	225425	Hemmer (foot) for 9/64 in. hem
21	225426	Hemmer (foot) for 3/16 in. hem
22	225427	Hemmer (foot) for 7/32 in. hem
23	225428	Hemmer (foot) for 1/4 in. hem

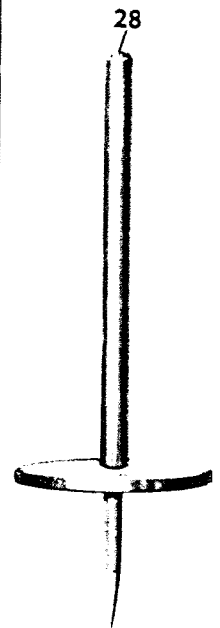
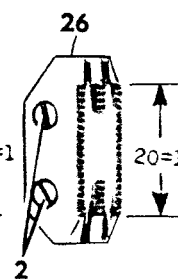
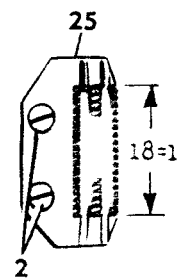
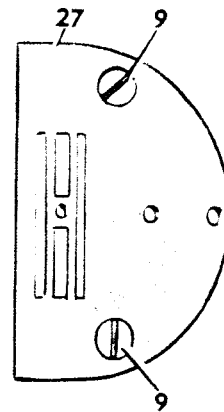
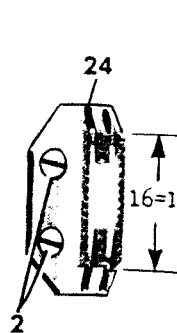
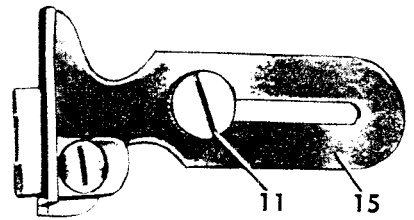
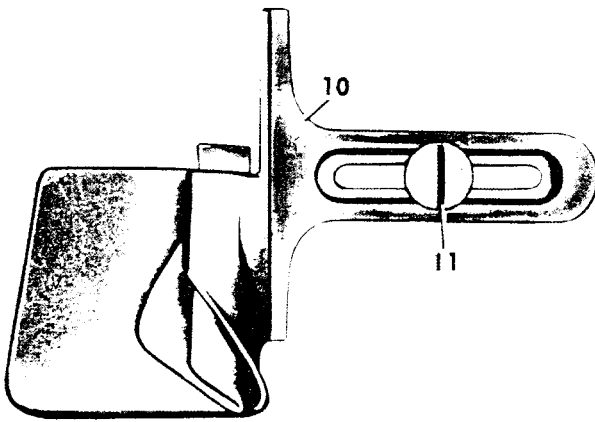
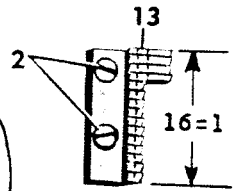
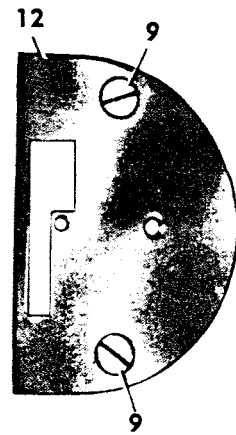
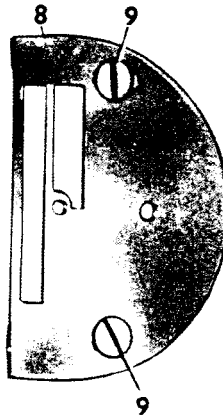
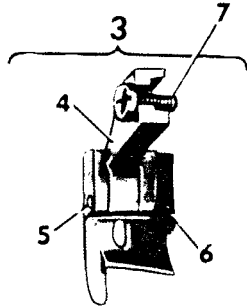
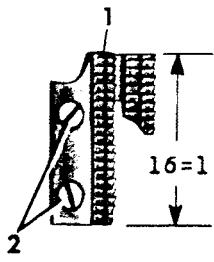
FOR SHIRT WORK

24	149159	Feed Dog
25	143172	Feed Dog
26	143173	Feed Dog
27	20160XC	Throat Plate (large needle hole)

BOBBIN HOLDER

28	225434	Bobbin Holder
----	--------	---------------

FITTINGS



FITTINGS**FOR GENERAL WORK**

<u>Ref. No.</u>	<u>Part No.</u>	<u>Description</u>
1	270130	Throat Plate (large needle hole)
2	26603	Feed Dog
3	270127	Throat Plate (large needle hole)
4	127087	Feed Dog
5	20124XC	Throat Plate (large needle hole)
6	149117	Feed Dog
7	270129	Throat Plate (large needle hole)
8	44252	Feed Dog
8	44253	Feed Dog
9	270128	Throat Plate (large needle hole)
10	121446	Feed Dog

BINDER (ENGLISH) FOR HEAVY WORK

11	28776	Binder complete, Nos. 193J, 7071, 12370, 28334, 28337, 28676, 28775XC and two 233J
12	12370	Feed Dog
13	28676	Presser Foot
14	28334	Folder
15	193J	Screw
16	7071	Washer
17	28337	Ribbon Tension
18	233J	Screw
19	28775XC	Throat Plate

FOR QUILTING

20	120485	Quilter complete, Nos. 602J, 120479, 120480, 120482 and 120484
21	120479	Guide (left)
22	120480	Guide (right)
23	120482	Bracket 120481 with 120483 and two 209AL
24	120481	Bracket
25	209AL	Screw
26	120483	Disengaging Sleeve
27	120484	Spring
28	602J	Screw
29	272124	Presser Bar Bushing (for use with Quilter 120485)

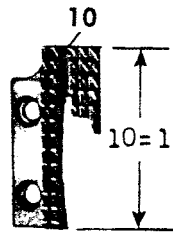
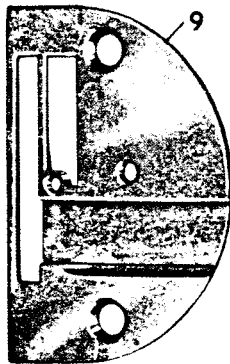
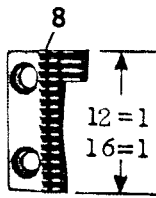
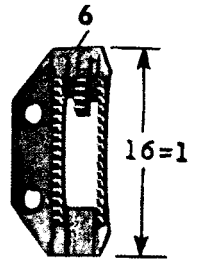
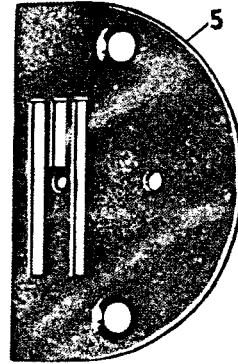
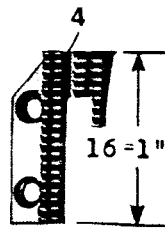
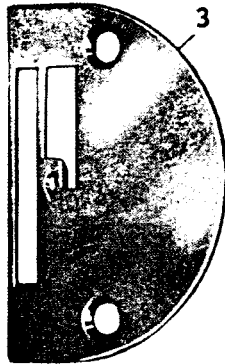
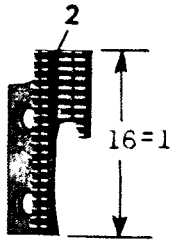
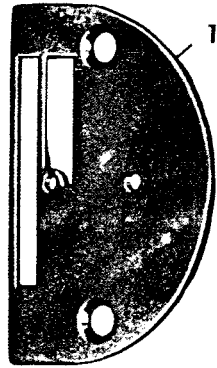
FINGER GUARD

30	259502	Finger Guard
----	--------	--------------

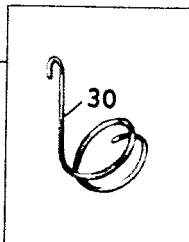
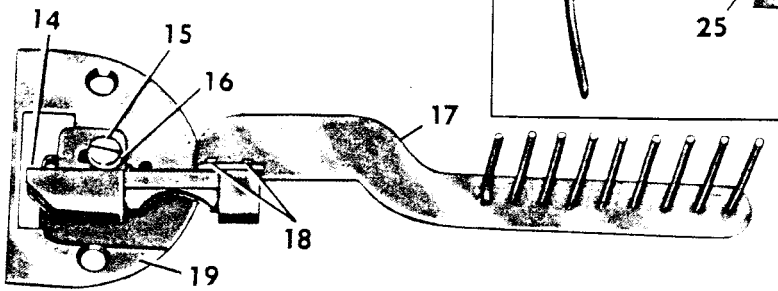
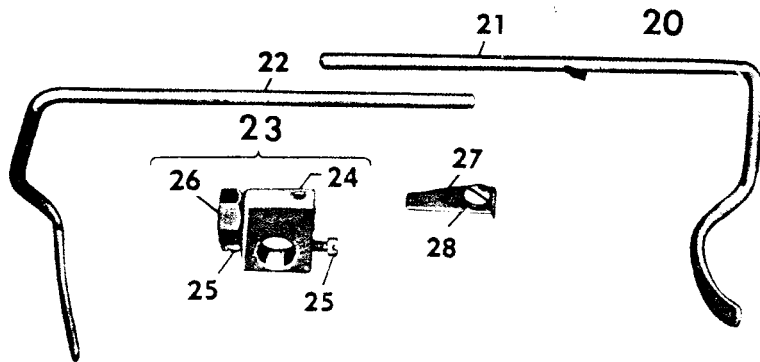
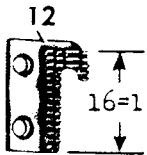
PRESSER FOOT WITH GRADUATED ADJUSTABLE GUIDES

31	35137	Presser Foot with Extension and Graduated Adjustable Guides complete, Nos. 35003 to 35006 and 35134
32	35134	Presser Foot with 337B, 35002, 35135, 35136 and 36696
33	35135	Graduated Adjustable Guide Clamp
34	35136	Lever
35	337B	Screw
36	36696	Steady Pin
37	35002	Extension
38	35003	Graduated Adjustable Guide (long, left)
39	35004	Graduated Adjustable Guide (long, right)
40	35005	Graduated Adjustable Guide (short, right)
41	35006	Graduated Adjustable Guide (short, right flush)

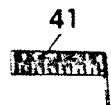
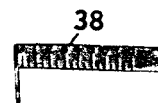
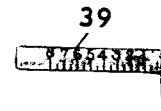
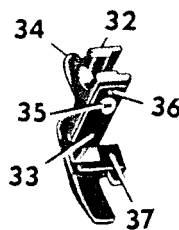
FITTINGS



11



31



FITTINGS**HEMMER (FOOT)**

<u>Ref. No.</u>	<u>Part No.</u>	<u>Description</u>
1	270120	Hemmer Foot, for 1/8 in. hem, for hemming shirts
2	270121	Feed Dog
3	270122	Throat Plate (small needle hole)

FOR SHIRT WORK

4	142059	Presser Foot (spring hinged) complete, for Shirt Work, Nos. 62527, 121944, 121945 and 142058
5	121945	Spring
6	121944	Shank
7	62527	Hinge Pin
8	142058	Plate
9	142057	Feed Dog
10	142060	Throat Plate (small needle hole)

GUIDE

11	26682	Guide (combination)
----	-------	---------------------

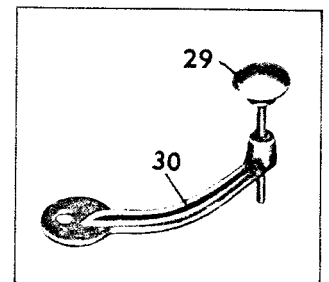
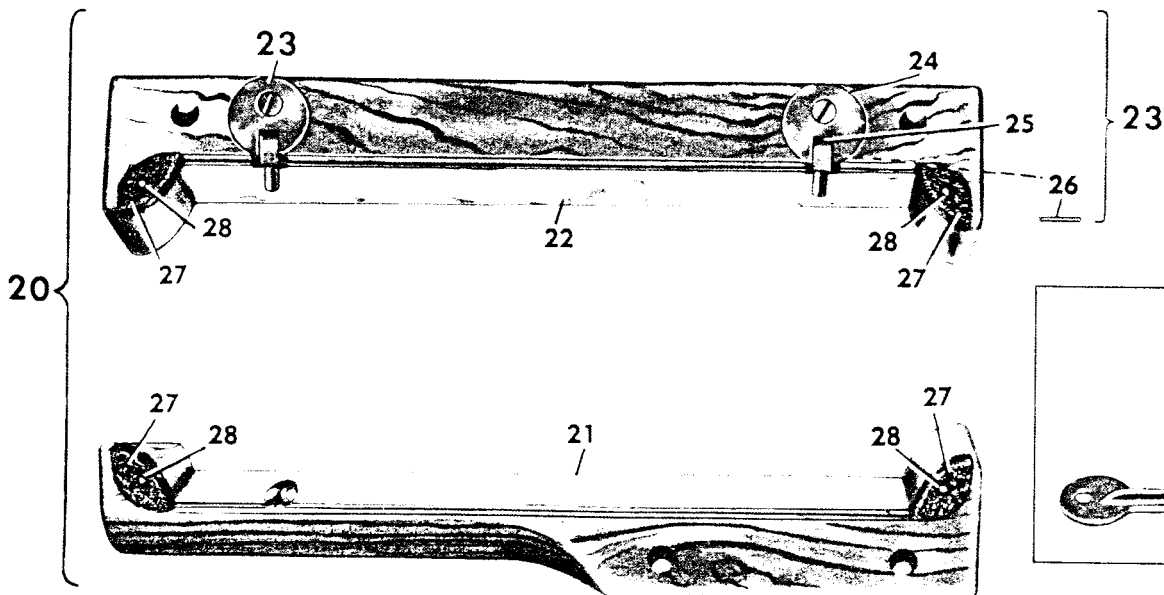
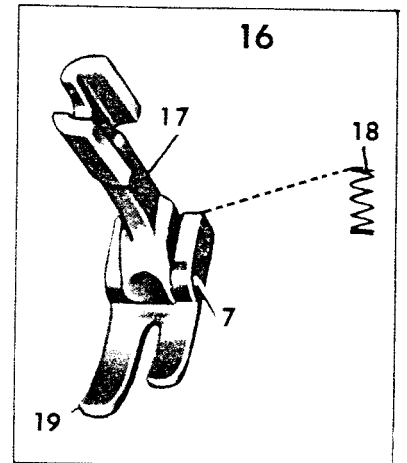
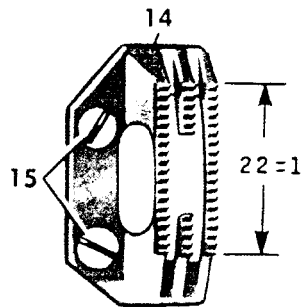
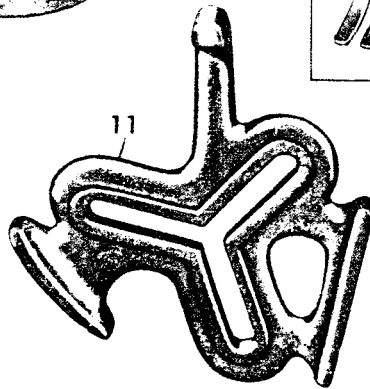
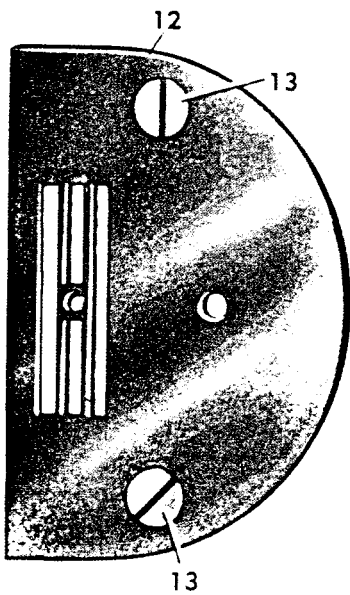
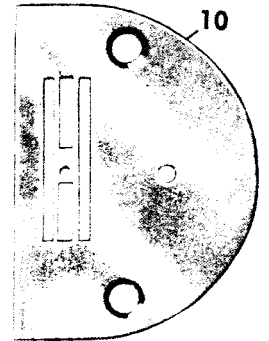
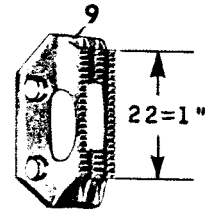
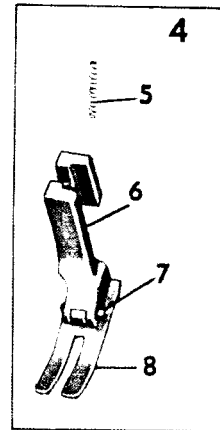
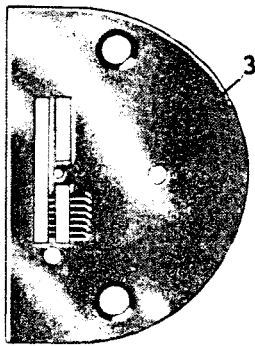
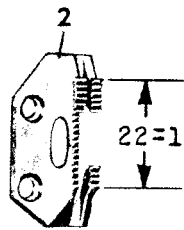
FOR GENERAL WORK

12	143272XC	Throat Plate (medium needle hole)
12	52032XC	Throat Plate (large needle hole)
12	52033XC	Throat Plate (small needle hole)
13	691X	Screw
14	52031	Feed Dog
15	50117E	Screw
16	62927	Presser Foot (spring hinged) complete, Nos. 26231, 62527, 62925 and 62926
17	62926	Shank
18	26231	Spring
19	62925	Plate

WOOD BASE

20	79628	Bench Stand (sectional) complete, Nos. 79626 and 79627
21	79626	Section (front) with wood screw 1-1/2 in., No. 12, two each 20022, 27878 and wood screws 3-1/2 in., No. 14
22	79627	Section (back) with two each 20022, 27878, 150962 and wood screws 3-1/2 in., No. 14
23	150962	Machine Hinge complete, Nos. 2809, 33887, 44243 and wood screws 1 in., No. 14, F. H. blacked
24	33887	Plate
25	44243	Connection
26	2809	Hinge Pin
27	20022	Machine Rest (felt)
28	27878	Rivet
29	228395	Knee Lifter Rock Lever Rod
30	228396	Bracket

FITTINGS



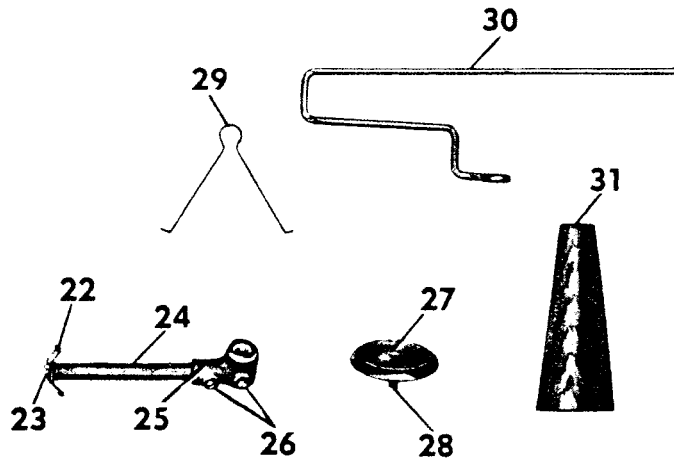
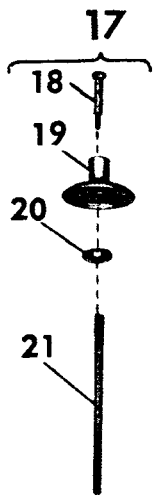
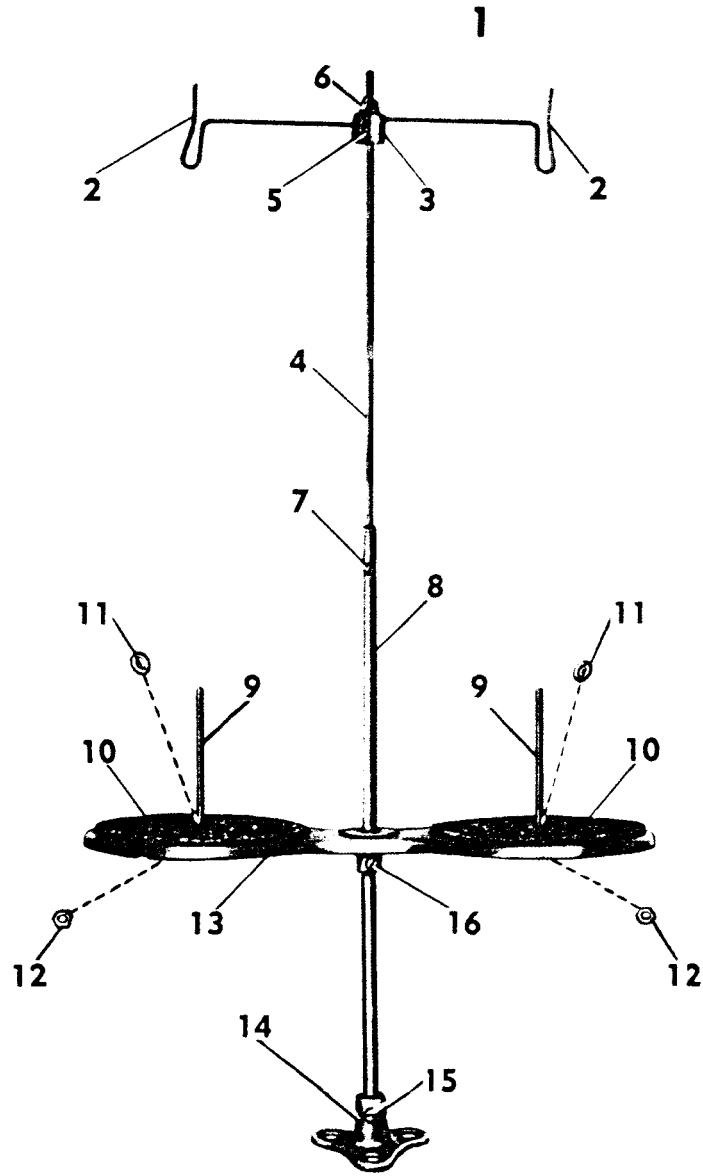
FITTINGS**THREAD UNWINDER**

<u>Ref. No.</u>	<u>Part No.</u>	<u>Description</u>
1	225258	Thread Unwinder (for two spools) complete, Nos. 201696X, 225257, 225324, 225326, 225388, 259658, two each 150203, 225391 and three wood screws 7/8 in., No. 12
2	225391	Thread Guide
3	225326	Position Cup
4	225324	Rod with 208AL and 225322
5	225322	Washer
6	201696X	Lock Nut
7	208AL	Screw
8	225388	Spool Rest Rod
9	228692	Spool Pin
10	150203	Cushion (felt)
11	228693	Washer
12	201528X	Nut
13	225257	Spool Rest with 201081C, two each 201528X, 228692 and 228693
14	259658	Stand with 200383C
15	200383C	Rod Set Screw
16	201018C	Rest Set Screw

**MISCELLANEOUS PARTS USED IN CONJUNCTION WITH
THREAD UNWINDER**

17	259373	Thread Unwinder Spool Pin complete, Nos. 1010F and 259370 to 259372
18	1010F	Cap Hinge Screw
19	259371	Cap (bakelite)
20	259372	Washer
21	259370	Spool Pin
22	259379	Retaining Spring
23	217E	Screw
24	259378	Arm with 217E and 259379
25	232896	Bracket with two 448AL
26	448AL	Set Screw
27	60913	Spool Weight with 60914
28	60914	Center Pin
29	225390	Thread Cone Holder
30	225377	Spool Wire, for small spools
31	27739	Thread Cone (wood)

FITTINGS



FITTINGS**BINDER (BIAS) WITH TAPE REEL FOR GENERAL WORK FOR 7/8 IN. BIAS BINDING**

<u>Ref. No.</u>	<u>Part No.</u>	<u>Description</u>
1	259784	Binder complete, for 7/8 in. bias binding, Nos. 207D, 120536, 121412, 200126F, 202603, 225604X, 259778 to 259780, 259782, 259783 and 350511D
2	259782	Presser Foot (spring hinged) complete, Nos. 26231, 202090, 259781 and 270643
3	259781	Plate
4	270643	Shank
5	26231	Spring
6	202090	Hinge Pin
7	259780	Feed Dog
8	259783	Throat Plate
9	202603	Washer
10	200126F	Screw
11	350511D	Thumb Screw
12	225604X	Washer
13	259779	Bracket
14	259778	Binder, for 7/8 in. binding
15	120536	Tape Reel Disc with 120538 and 120539
16	120538	Stud (wood)
17	120537	Pin
18	120539	Stud Sleeve (brass)
19	121412	Arm with 8879, 23263 and 120537
20	23263	Steady Pin
21	207D	Screw
22	8879	Washer (cloth)

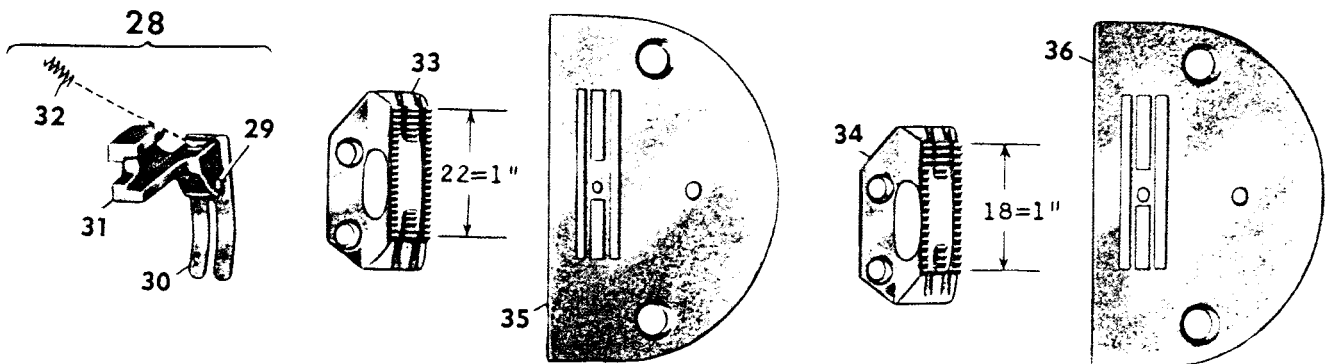
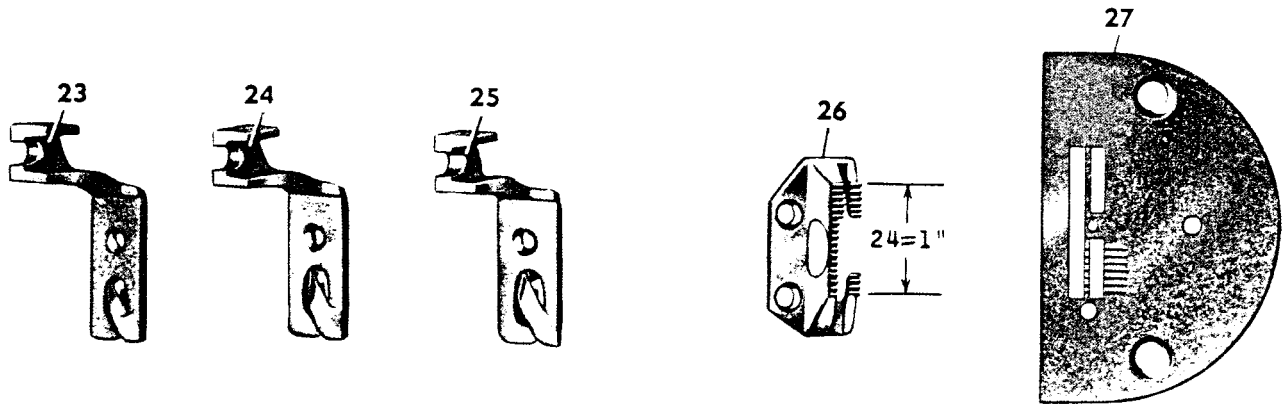
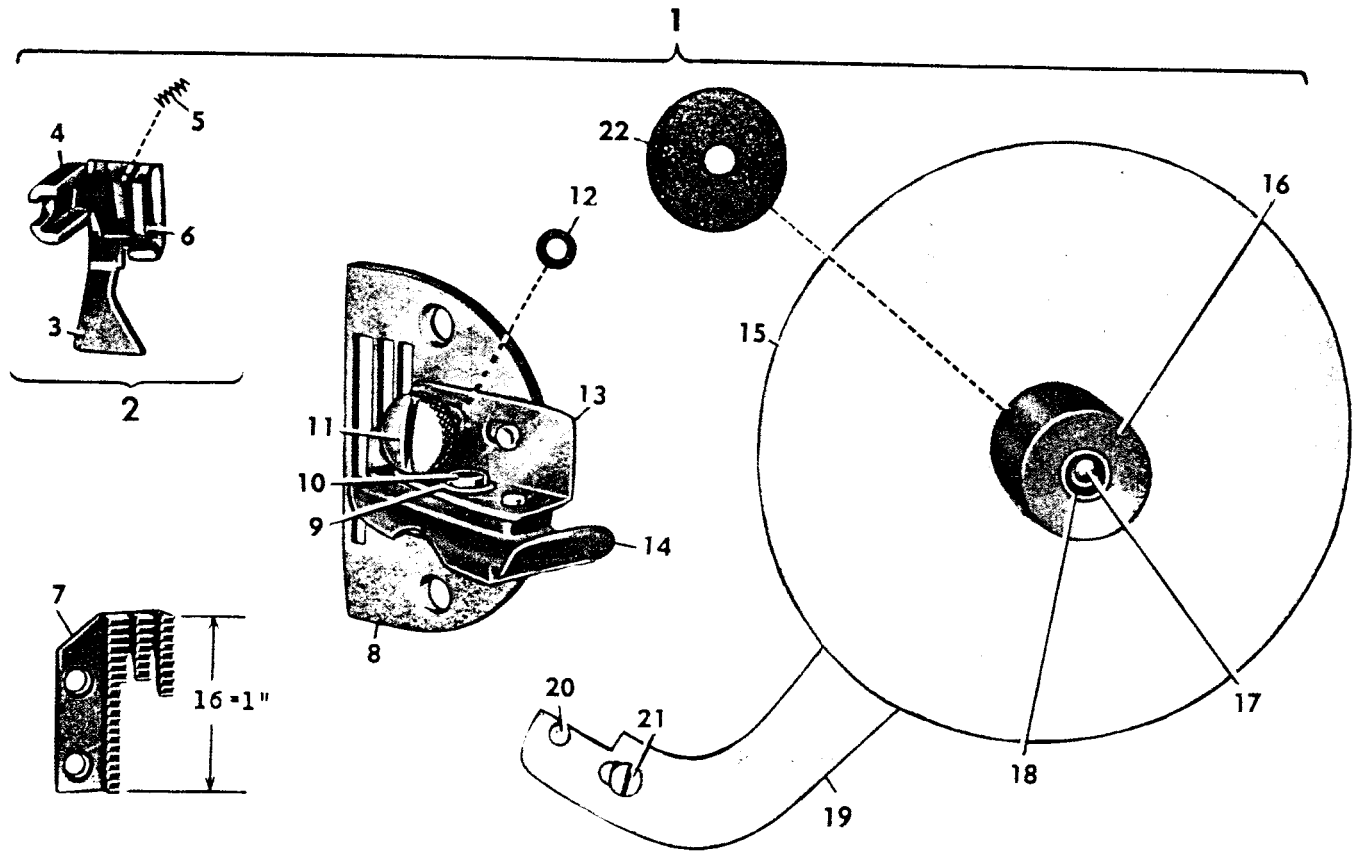
FOR HEMMING BOTTOM OF DRESS SHIRTS

23	270120	Hemmer Foot, 1, 8 in. hem
24	270134	Hemmer Foot, 5, 32 in. hem
25	270136	Hemmer Foot, 3, 16 in. hem
26	270121	Feed Dog
27	270122	Throat Plate (small needle hole)

FOR CHAINING OFF

28	142059	Presser Foot (spring hinged) complete, Nos. 62527, 121944, 121945 and 142058
29	62527	Hinge Pin
30	142058	Plate
31	121944	Shank
32	121945	Spring
33	142057	Feed Dog
34	142062	Feed Dog
35	142060	Throat Plate (small needle hole)
36	142061	Throat Plate (large needle hole)

FITTINGS



FITTINGS**FOR COLLAR WORK (FIRST STITCHING)**

<u>Ref. No.</u>	<u>Part No.</u>	<u>Description</u>
1	149164	Feed Dog, for 1/8 in. stitch
2	50117E	Screw
3	52189	Presser Foot (solid)
4	176X	Screw
5	52190XC	Throat Plate
6	691X	Screw

FOR COLLAR WORK (SECOND STITCHING)

7	121646	Feed Dog
8	121647	Presser Foot with 121648 and two 337J, for 3/16, 7/32, 1/4, 9/32 and 5/16 in. gauges
9	121648	Edge Guide, for 3/16, 7/32, 1/4, 9/32 and 5/16 in. gauges
10	337J	Screw
11	121649XC	Throat Plate

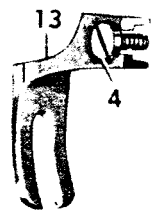
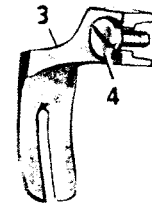
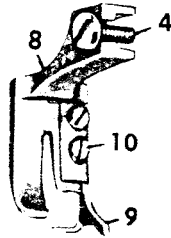
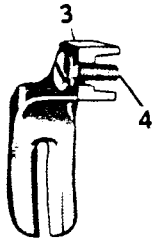
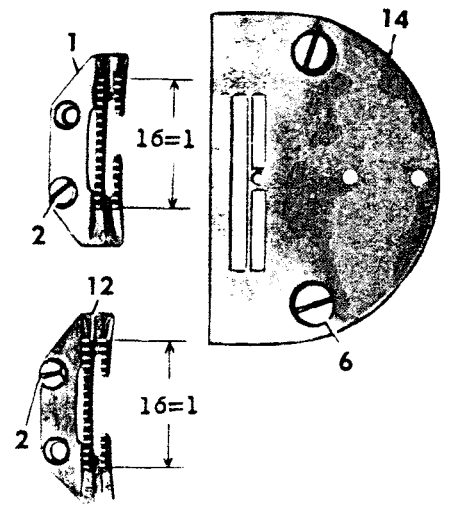
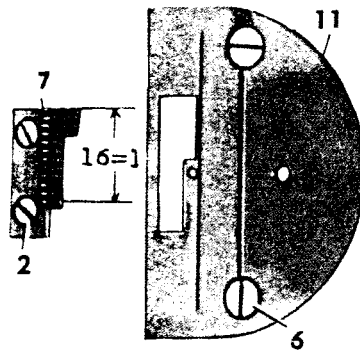
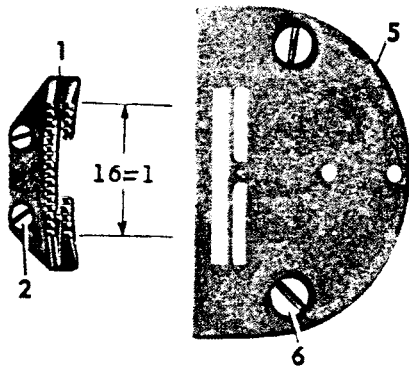
FOR COLLAR AND CUFF WORK

12	149163	Feed Dog, for 1/16 in. stitch
13	52188	Presser Foot (solid) for cuff work
14	20123XC	Throat Plate

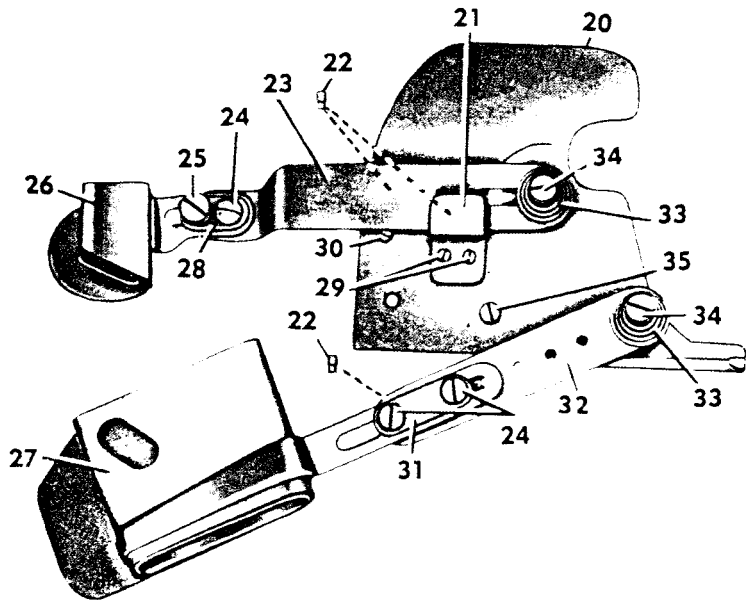
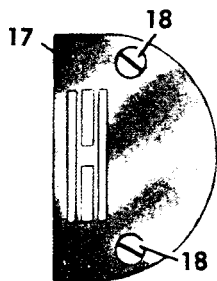
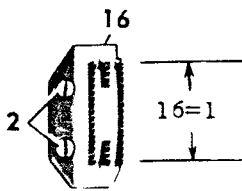
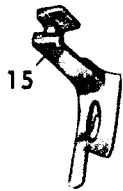
HEMMER (SWING OUT) ON BASE PLATE FOR 1 IN. AND 3 INCH INTER-CHANGEABLE HEMMERS

15	272059	Presser Foot, 46 needle hole
16	20158	Feed Dog
17	19419	Throat Plate
18	691F	Screw
19	272058	Hemmer (swing-out) on Base Plate complete, for 1 in. and 3 in. hems on sheets, Nos. 390C, 200469X, 200566E, 226663, 272051 to 272057, two each 200583X, 225708, 350528C and three 200187X
20	272053	Base Plate
21	272057	Swing Base Stop
22	225706	Position Pin
23	272055	Swing Base with two 225706
24	200187X	Clamp Washer Screw
25	200469X	Thumb Screw
26	272051	Hemmer on Shank, for 1 in. hem
27	272052	Hemmer on Shank, for 3 in. hem
28	272054	Clamp Washer
29	200583X	Swing Base Stop Screw
30	390C	Base Plate Screw (short)
31	226663	Clamp Washer
32	272056	Swing Base with 225706
33	225708	Spring
34	350528C	Hinge Screw
35	200566E	Base Plate Screw (long)

FITTINGS



19



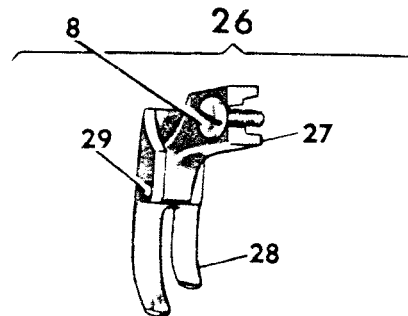
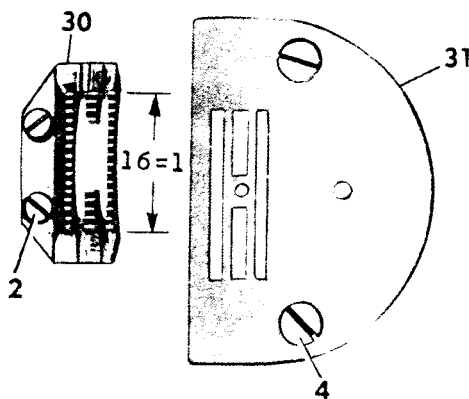
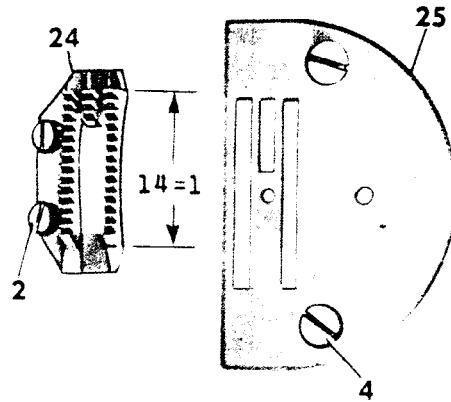
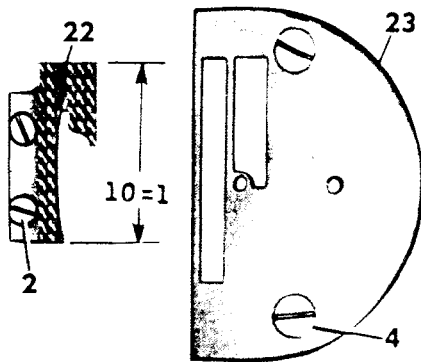
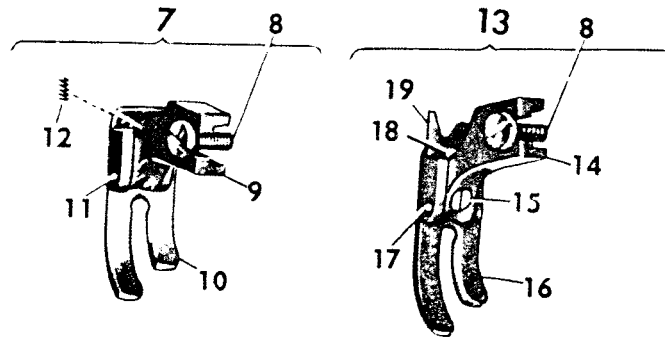
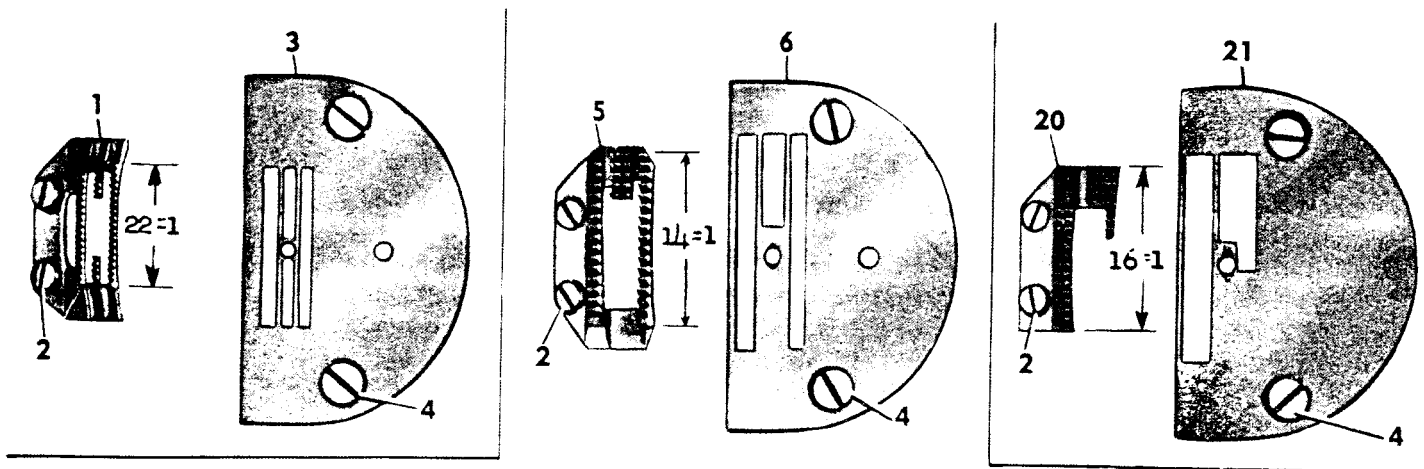
FITTINGS
FOR GENERAL WORK

<u>Ref. No.</u>	<u>Part No.</u>	<u>Description</u>
1	52031	Feed Dog
2	50117E	Screw
3	52032XC	Throat Plate (large needle hole)
3	52033XC	Throat Plate (small needle hole)
4	691X	Screw
5	127229	Feed Dog
6	127238XC	Throat Plate
7	127234	Presser Foot (spring hinged) complete, Nos. 26231, 52390, 62527 and 127233
8	176X	Screw
9	52390	Shank
10	127233	Plate
11	62527	Hinge Pin
12	26231	Spring
13	127260	Presser Foot (hinged) complete, with Thread Cutter, Nos. 239E, 127257 to 127259 and 131256
14	127258	Shank with 665J
15	665J	Spring Guide Screw
16	127257	Plate
17	131256	Hinge Pin
18	239E	Thread Cutter Screw
19	127259	Thread Cutter
20	127087	Feed Dog
21	127106XC	Throat Plate (large needle hole)
21	127107XC	Throat Plate (small needle hole)
22	121446	Feed Dog
23	20356XC	Throat Plate (large needle hole)
23	20357XC	Throat Plate (small needle hole)
24	44158	Feed Dog
25	44162XC	Throat Plate
26	44161	Presser Foot (hinged) complete, Nos. 26276, 44159 and 44160
27	44160	Shank
28	44159	Plate
29	26276	Hinge Pin

FOR SHIRT WORK

30	143170	Feed Dog
31	143171XC	Throat Plate (large needle hole)

FITTINGS



FITTINGS**FOR SLEEVE PLACKETS (FACING)**

<u>Ref. No.</u>	<u>Part No.</u>	<u>Description</u>
1	50190W	Attachment Screw
2	26603	Feed Dog
3	50117E	Screw
4	121655	Binder
5	26605XC	Throat Plate (large needle hole)
5	26606XC	Throat Plate (small needle hole)
6	691X	Screw
7	121656	Presser Foot
8	140390AL	Screw

FOR TAILOR WORK

9	44136	Feed Dog
10	44137XC	Throat Plate
11	12142	Presser Foot
12	20458	Presser Foot
13	44252	Feed Dog
14	44253	Feed Dog
15	44256XC	Throat Plate (large needle hole)
15	44255XC	Throat Plate (small needle hole)
16	36575	Presser Foot 36574 with 36576 and two 50202J
17	36576	Finger Guard
18	50202J	Screw
19	36574	Presser Foot

FOR SHOULDER JOININGS

20	121663	Presser Foot
21	121662	Joining Attachment with 121844
	121844	Shank

FOR SHIRT WORK

22	19336	Presser Foot (hinged) complete, Nos. 7298, 19334 and 19335
23	19335	Shank
24	7298	Hinge Pin
25	19334	Plate

FOR CUFF WORK

26	149164	Feed Dog
27	52190XC	Throat Plate
28	52188	Presser Foot (solid)
29	176X	Screw

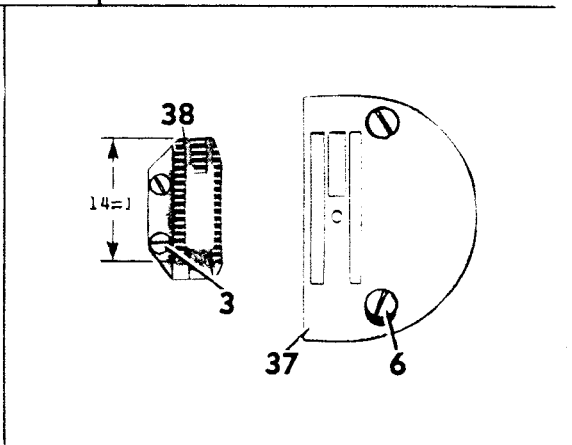
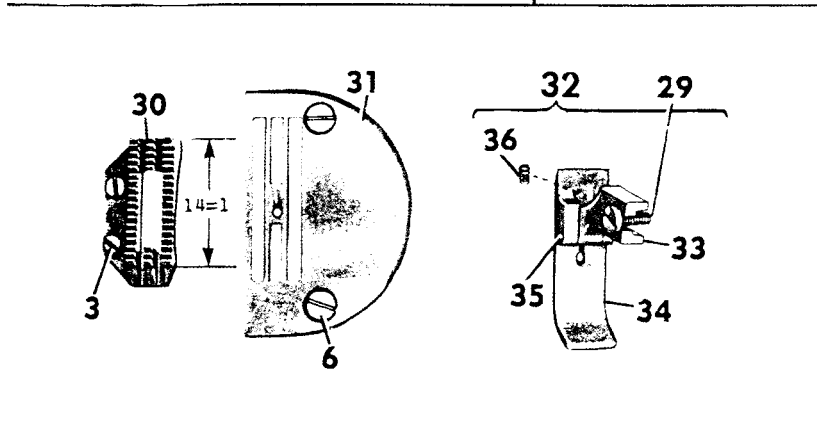
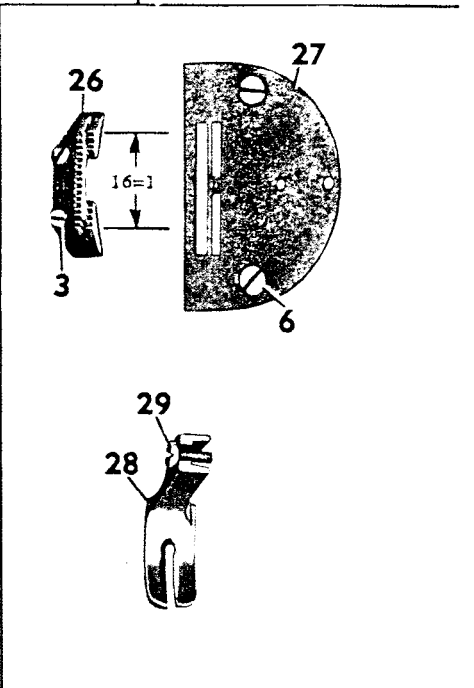
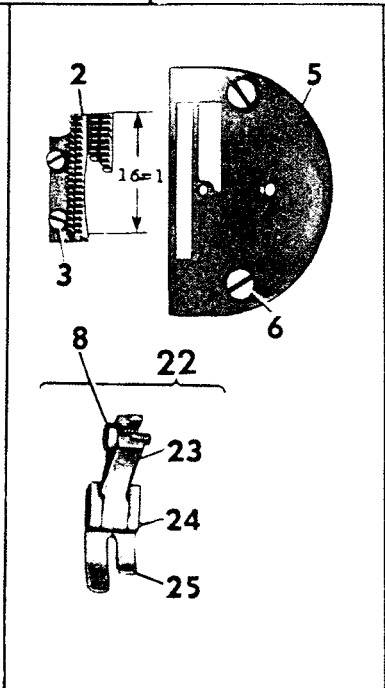
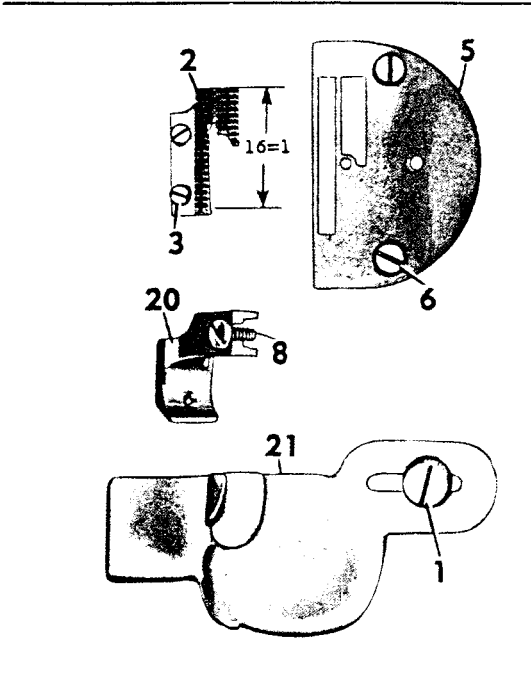
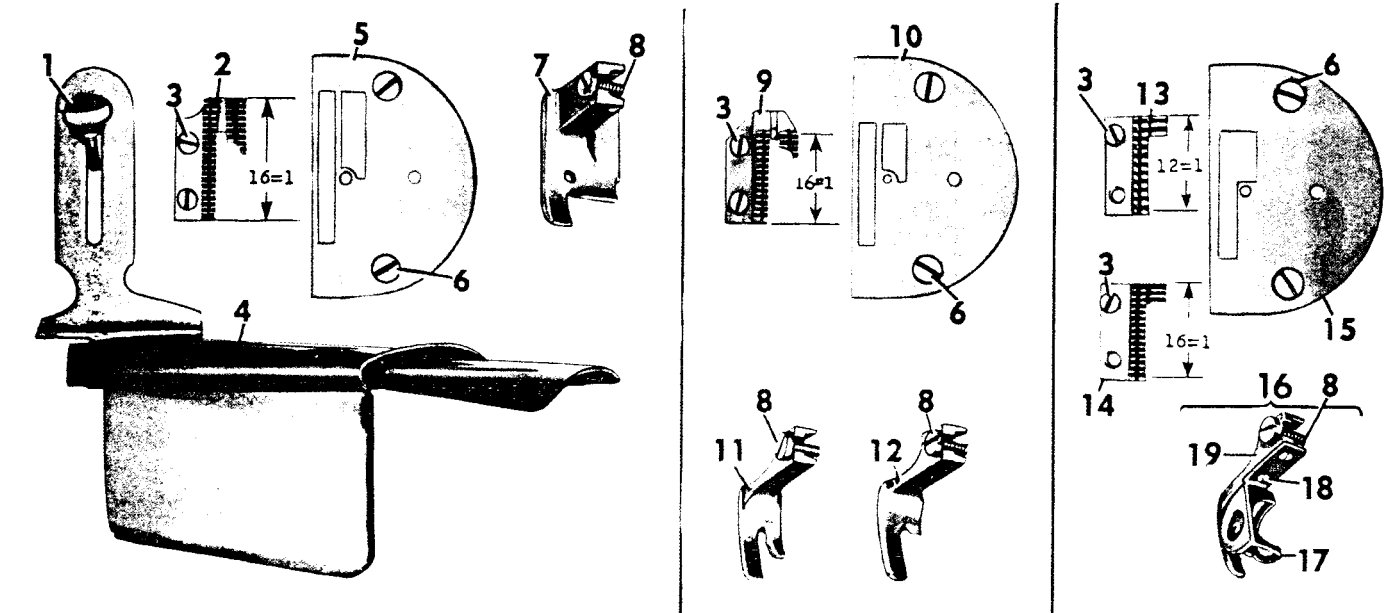
FOR CURTAIN WORK

30	143165	Feed Dog
31	143169XC	Throat Plate (large needle hole)
32	143168	Presser Foot (spring hinged) complete, Nos. 26276, 52544, 143166 and 143167
33	143167	Shank
34	143166	Plate
35	26276	Hinge Pin
36	52544	Spring

FOR GENERAL WORK

37	143175XC	Throat Plate (large needle hole)
38	143174	Feed Dog

FITTINGS



FITTINGS**CORDER (ADJUSTABLE) FOR SHORT TURNS ON CUSHIONS WHEN ORDERING STATE SIZE OR NUMBER OF CORDS TO THE INCH**

<u>Ref. No.</u>	<u>Part No.</u>	<u>Description</u>
1	120208	Presser Foot (grooved)
2	140390AL	Screw
3	121446	Feed Dog
4	50117E	Screw
5	121447XC	Throat Plate
6	691X	Screw
7	120207	Corder complete, Nos. 190D, 1044D, 26795, 26796 and 120206
8	120206	Cord Guide Bed with 457AL
9	457AL	Leveling Screw
10	1044D	Arm Hinge Screw
11	26796	Arm
12	50190W	Corder Thumb Screw
13	190D	Guide Screw
14	26795	Guide

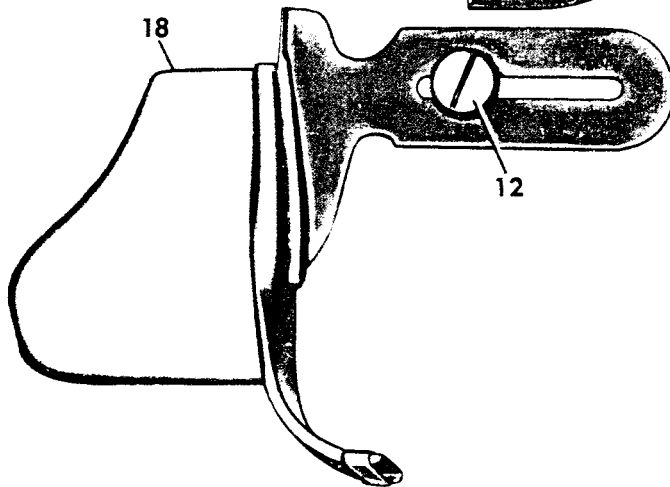
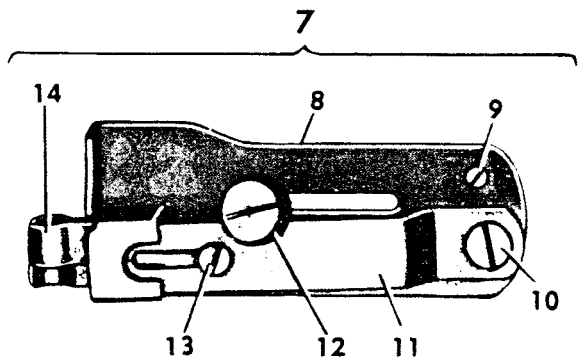
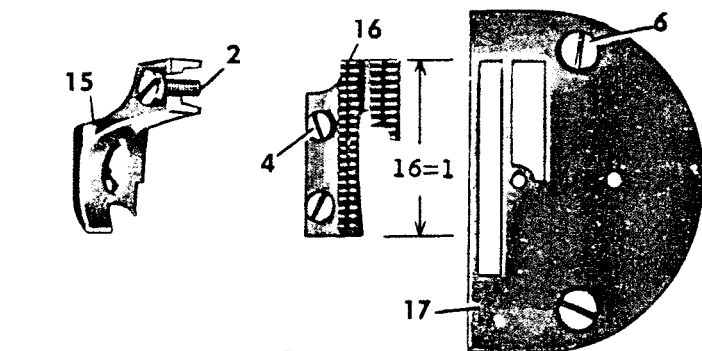
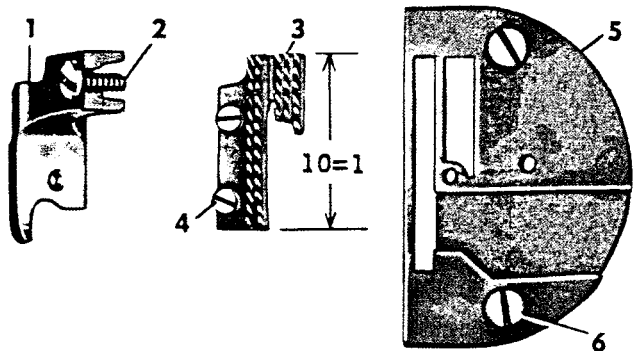
BINDER ON SHANK

15	52055	Presser Foot
16	26603	Feed Dog
17	26605XC	Throat Plate (large needle hole)
17	26606XC	Throat Plate (small needle hole)
18	35208	Binder on Shank with 121744, to turn in both edges, for bias or straight bindings, for skirts, wrappers, and shirt waists
	121744	Shank

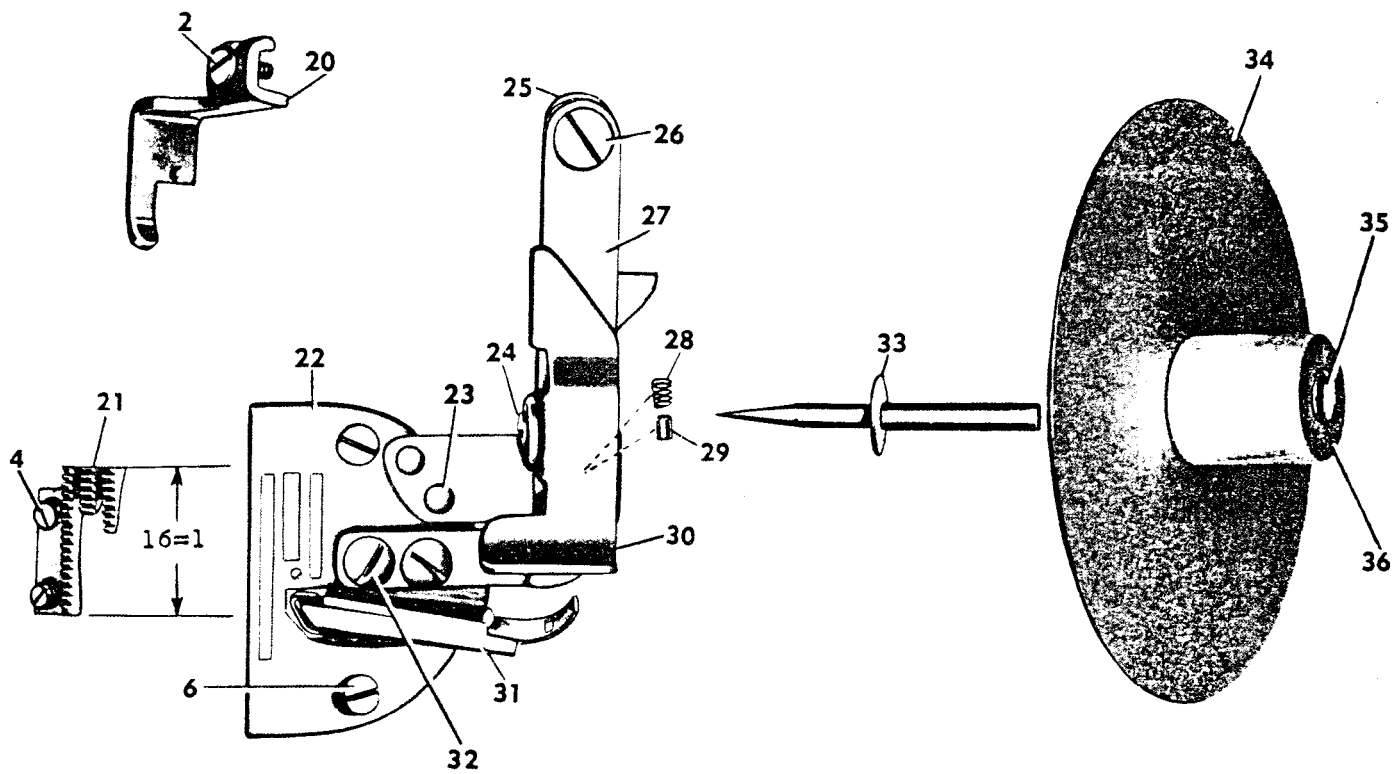
BINDER (TRANSVERSE) ON THROW OUT ARM FOR FOLDED OR UNFOLDED BIAS BINDING

19	121737	Binder (transverse) with Throw-out Arm complete, Nos. 724F, 940F, 35610, 120536, 120740, 121169, 121732, 121733, 121735, 121736, 121738, 121938XC and two 1443J
20	121169	Presser Foot
21	121738	Feed Dog
22	121938XC	Throat Plate with two 121734
23	121734	Rivet
24	724F	Lever Hinge Screw
25	35610	Washer
26	940F	Arm Hinge Screw
27	121733	Throw-out Arm with 192349
28	121736	Spring
29	192349	Position Stud
30	121735	Releasing Lever
31	121732	Binder (transverse)
32	1443J	Screw
33	120740	Tape Reel Pin 120775 with 42290
34	120536	Tape Reel Disc with 120538 and 120539
35	120539	Stud Sleeve (brass)
36	120538	Stud (wood)

FITTINGS



19



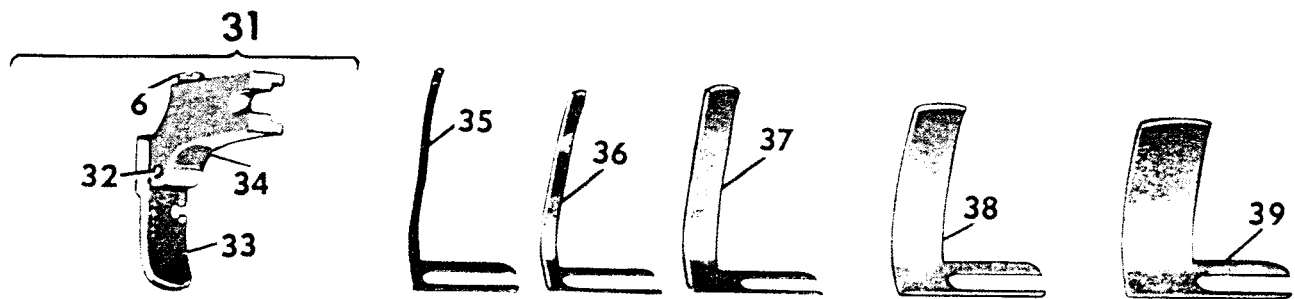
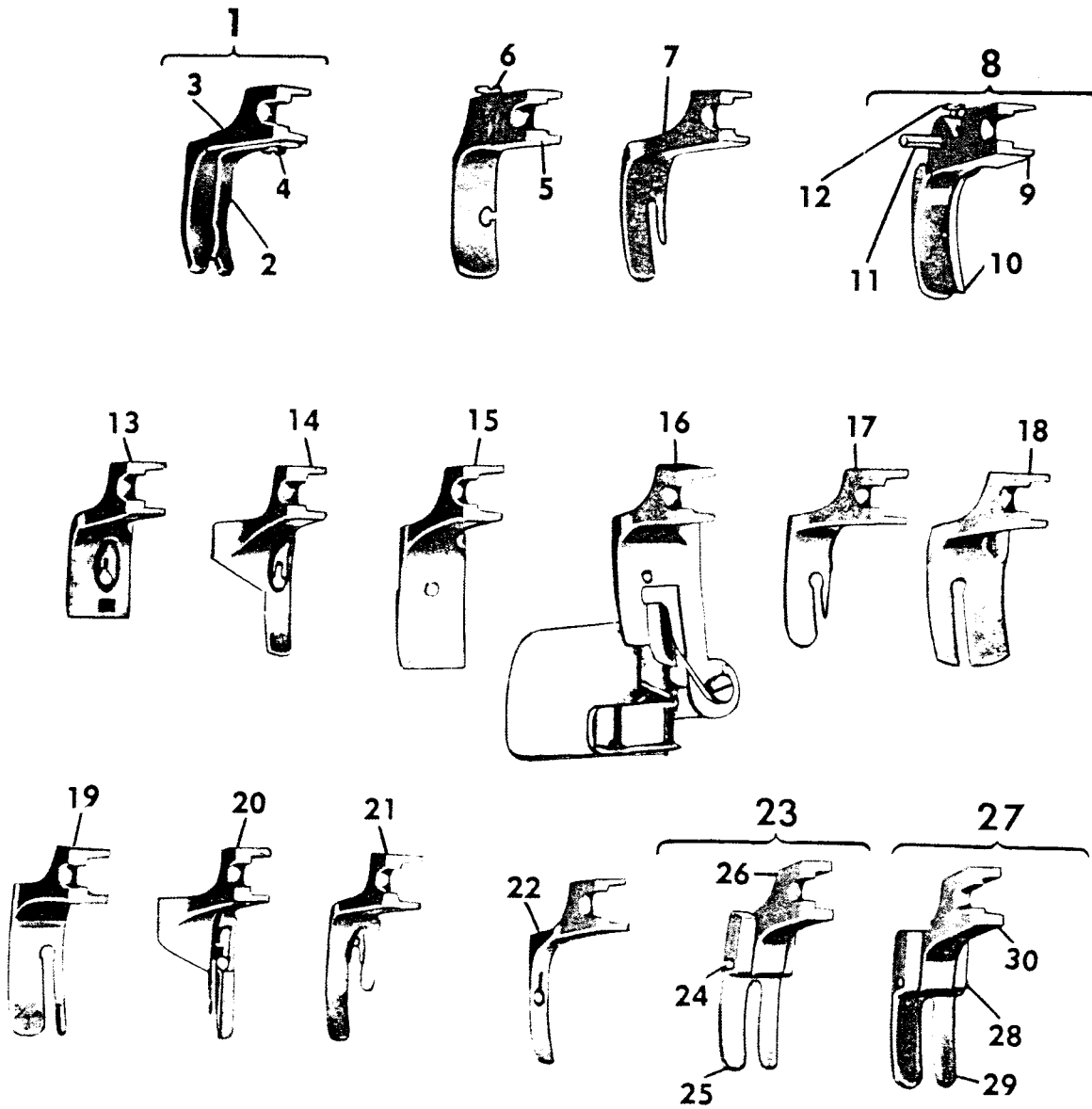
FITTINGS
PRESSER FEET

Ref. No.	Part No.	<u>Description</u>
1	36465	Presser Foot 160942 with 665J and 36464
2	36464	Spring Guide
	Note:	When ordering No. 36464 or No. 36465, state required distance from edge of goods to seam
3	160942	Presser Foot
4	665J	Spring Guide Screw
5	12435	Presser Foot with 228J
6	228J	Extension Screw
7	12335	Presser Foot (narrow)
8	36717	Presser Foot complete, Nos. 36714 and 36715
9	36714	Presser Foot with 233D
10	36715	Guide (right) with 36716
11	36716	Stud
12	233D	Set Screw
13	36773	Presser Foot, for braiding
14	35528	Presser Foot (wide)
15	120828	Presser Foot, for gathering, for fine work
16	121763	Presser Foot with 121981 with Hemmer
	121981	Hemmer Tongue
17	20343	Presser Foot with guide on bottom
18	12462	Presser Foot, for 1/8 to 1 in. gauges
	Note:	When ordering No. 12462, give width of turned edge from seam
19	12463	Presser Foot with Strip Guide
20	36654	Presser Foot, for tucking shirt bosoms
21	40315	Presser Foot, for long stitch, for general work
22	40322	Presser Foot (narrow)
23	20134	Presser Foot (hinged) complete, for 3/16 to 1/4 in. gauge, Nos. 19223, 20133 and 26276
24	26276	Hinge Pin
25	20133	Plate
26	19223	Shank
27	20361	Presser Foot (hinged) plain bottom complete, Nos. 7298, 19335 and 20360
28	7298	Hinge Pin
29	20360	Plate
30	19335	Shank

PRESSER FOOT AND EXTENSIONS

31	20157	Presser Foot (hinged) complete, Nos. 228J, 20155, 20156 and 62527
32	62527	Hinge Pin
33	20155	Plate
34	20156	Shank
	228J	Extension Screw
35	26279	Presser Foot Extension, 1/16 inch
36	26280	Presser Foot Extension, 1/8 inch
37	26281	Presser Foot Extension, 1/4 inch
38	26282	Presser Foot Extension, 3/8 inch
39	26283	Presser Foot Extension, 1/2 inch

FITTINGS



FITTINGS**EDGE FOLDER WITH STRIP FOLDER ON SHANK FOR FRENCH
BUTTON FACING**

<u>Ref. No.</u>	<u>Part No.</u>	<u>Description</u>
1	160335	Edge Folder with Strip Folder on Shank
2	160340	Presser Foot (spring hinged) complete, Nos. 2656, 26276, 160337 to 160339, 160406 and four 337J
3	160406	Shank
4	337J	Screw
5	160338	Marker Guide (right hand)
6	160339	Plate
7	160337	Edge Guide (left hand)
	26276	Hinge Pin
	2656	Spring
8	160336	Feed Dog
9	160341XC	Throat Plate

STRIP FOLDER ON SHANK WITH HEMMER

10	160333	Strip Folder on Shank with Hemmer
11	160334	Presser Foot with Edge Guide on left hand side
12	149481	Feed Dog
13	12483XC	Throat Plate

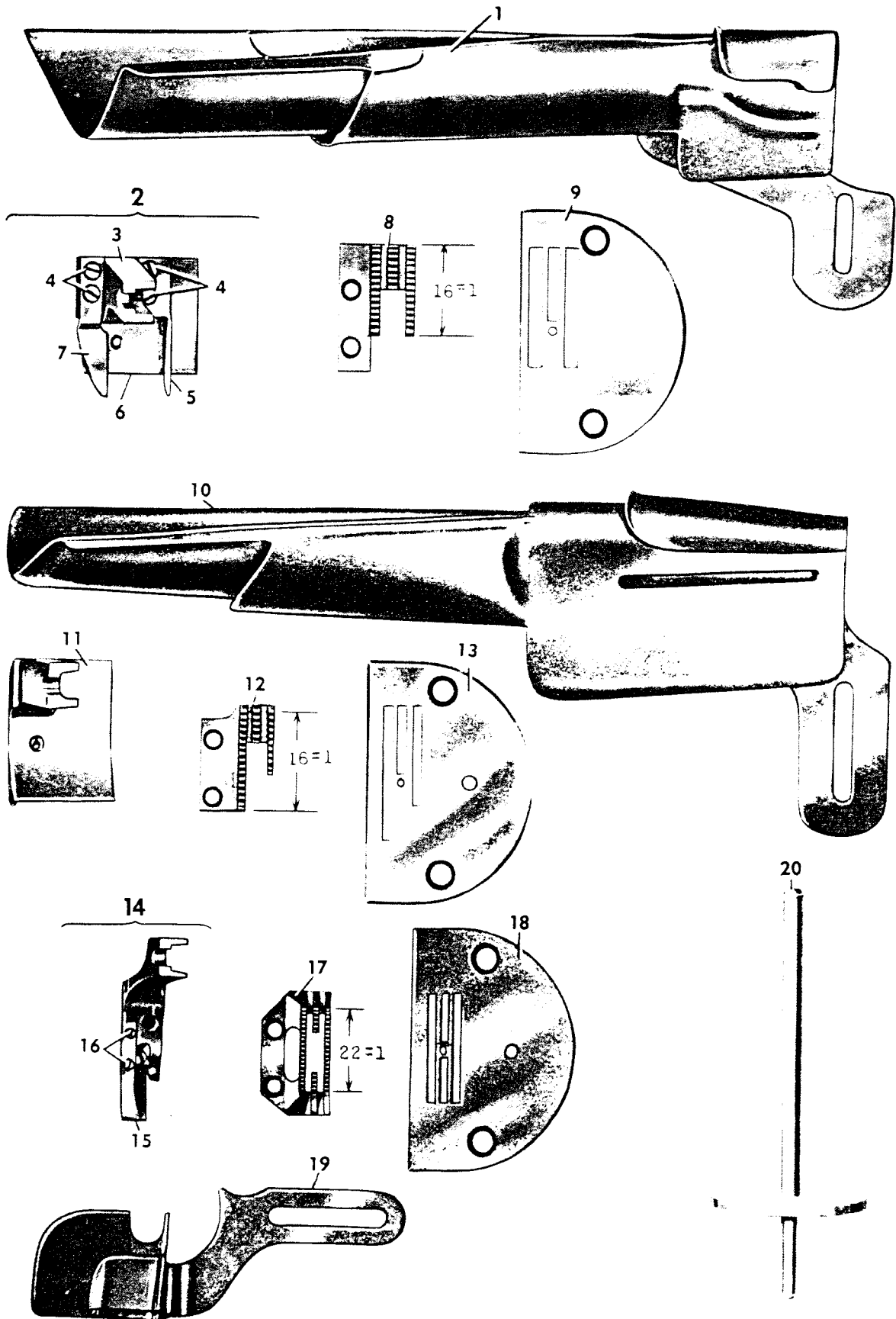
FOR HEMMING HANDKERCHIEFS

14	160321	Hemmer (foot) with 6267, 25888, 160320 and two 234E, for 1/16 in. hem
	6267	Folder
	25888	Tongue
	Note:	When ordering 6267 or 25888 state width of hem and number of Hemmer for which required
15	160320	Extension Guide
16	234E	Screw
17	149031	Feed Dog
18	52033XC	Throat Plate (small needle hole)
19	160319	Edge Guide on Shank (adjustable) for turning cloth upward to feed into Hemmer (foot) 160321

SPOOL PIN

20	272125	Spool Pin
----	--------	-----------

FITTINGS



FITTINGS**FOR SINGLE NEEDLE FELLING ON SLIPS**

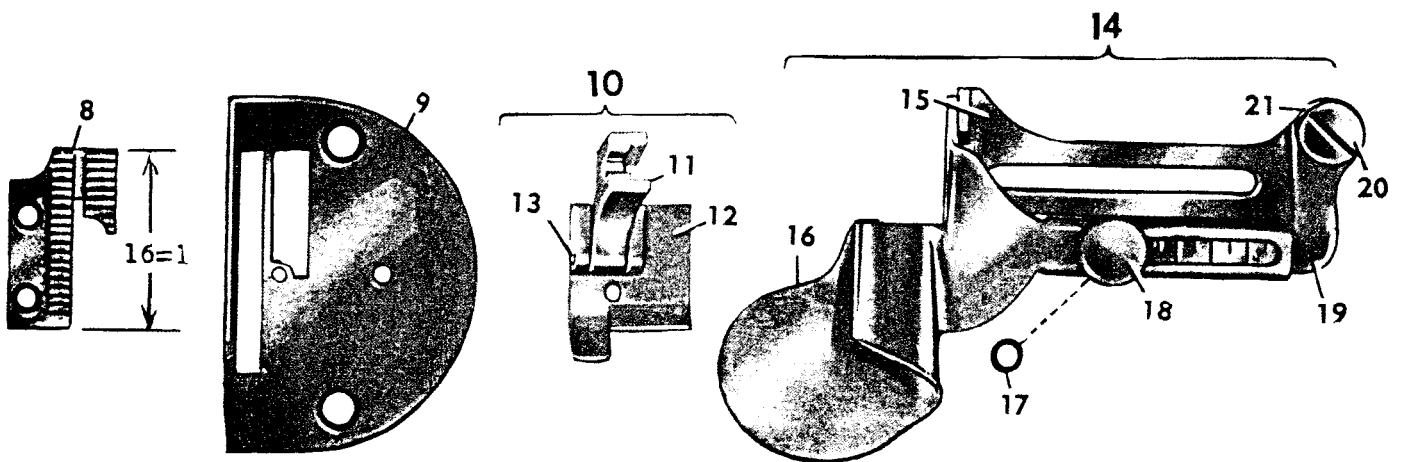
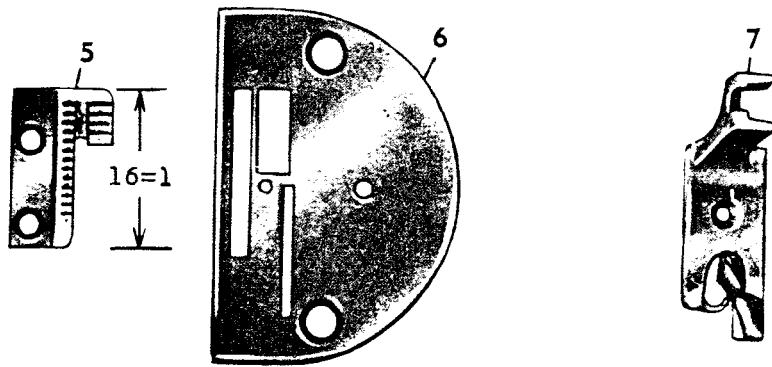
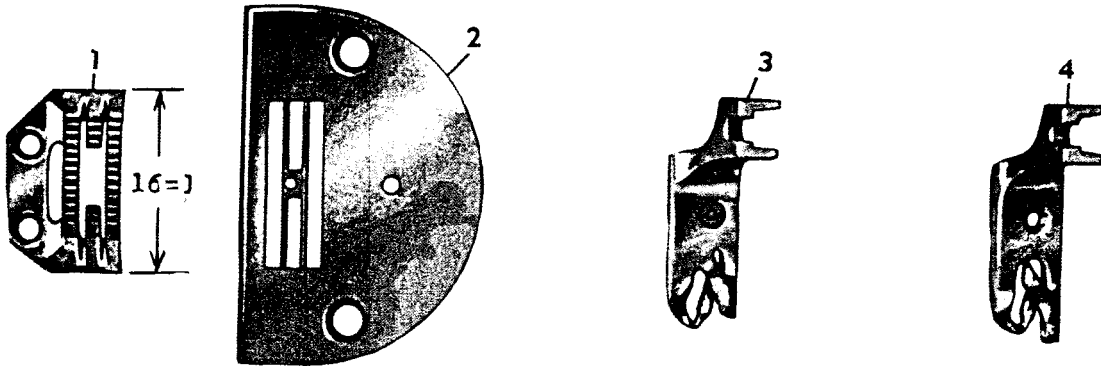
<u>Ref. No.</u>	<u>Part No.</u>	<u>Description</u>
1	149315	Feed Dog
2	160317XC	Throat Plate
3	160316	Hemmer (foot) with 6267 and 121981, for 1/8 in. hem
	6267	Folder (soft)
	121981	Tongue
	Note:	When ordering 6267 and 121981, state width of hem and number of Hemmer for which required

HEMMERS (FOOT)

	149315	Feed Dog
	160317XC	Throat Plate
4	160318	Hemmer (foot) with 120939, for 1/8 in. hem
5	149474	Feed Dog
6	160332XC	Throat Plate
7	160331	Hemmer (foot) with 120838 and 120939, for 3/16 in. hem
	120838	Tongue
	120939	Folder
	Note:	When ordering 120838 and 120939, state width of hem and number of Hemmer for which required

FOR HEMMING BOTTOMS OF PAJAMAS AND SHORTS

8	149603	Feed Dog
9	26605XC	Throat Plate
10	160324	Presser Foot (hinged) complete, Nos. 26276, 160322 and 160323
11	160323	Shank
12	160322	Plate
13	26276	Hinge Pin
14	160326	Hemmer on Shank (adjustable hinged) complete, for 3/8 to 5/8 in. hem, Nos. 940W, 7071, 28972, 35610, 51224W, 120427 and 160325
	Note:	When ordering 160326, size of hem must be stated
15	120427	Holder Shank
16	160325	Hemmer on Shank
17	7071	Washer
18	51224W	Thumb Screw
19	28972	Holder
20	940W	Hinge Screw
21	35610	Friction Washer

FITTINGS

FITTINGS**BINDER AND PIPING ATTACHMENT**

<u>Ref. No.</u>	<u>Part No.</u>	<u>Description</u>
1	120742	Binding and Piping Attachment complete, Nos. 3146, 120532, 120535, 120737 to 120741XC, 149603, two each 190J, 7071, 51097J and 120536
2	120536	Tape Reel Disc with 120538 and 120539
3	120538	Stud (wood)
4	120539	Sleeve (brass)
5	120537	Pin
6	120535	Arm with 23263 and 120537
7	51097J	Thumb Screw
8	23263	Pin
9	120738	Presser Foot
10	149603	Feed Dog
11	120741XC	Throat Plate with 43525
12	43525	Stud
13	3146	Binder Washer
14	120532	Binder (transverse) on Shank
15	120739	Tape Guide
16	120737	Piping Attachment with 217J
17	217J	Adjusting Screw
18	190J	Screw
19	7071	Washer
20	120740	Tape Reel Pin 120775 with 42290
21	120775	Tape Reel Pin
22	42290	Washer

FOR DARNING

23	160342	Presser Foot
24	12298XC	Throat Plate (large needle hole)
25	12422XC	Throat Plate (small needle hole)

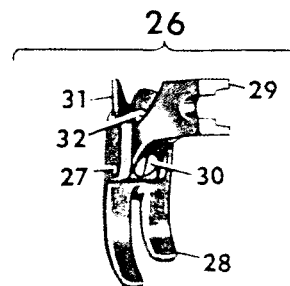
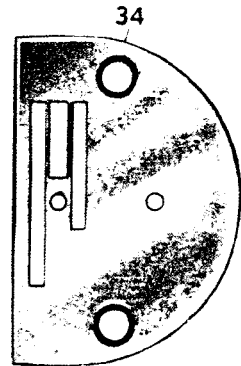
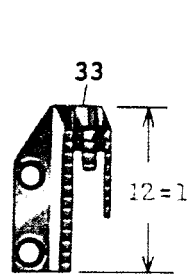
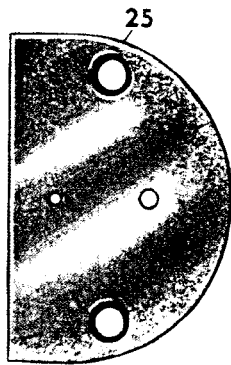
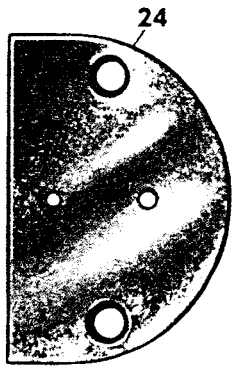
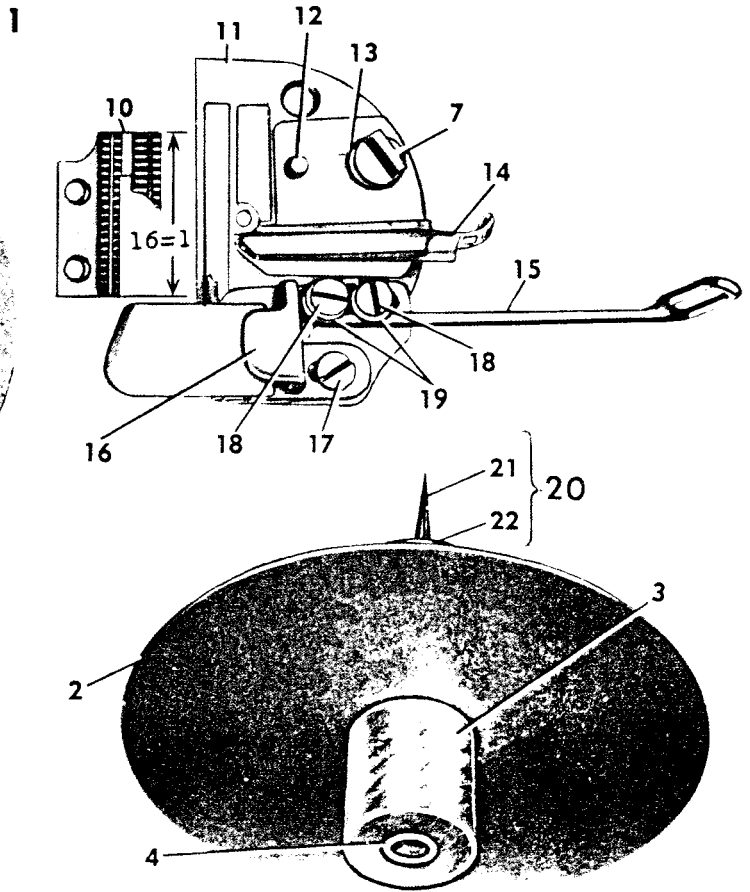
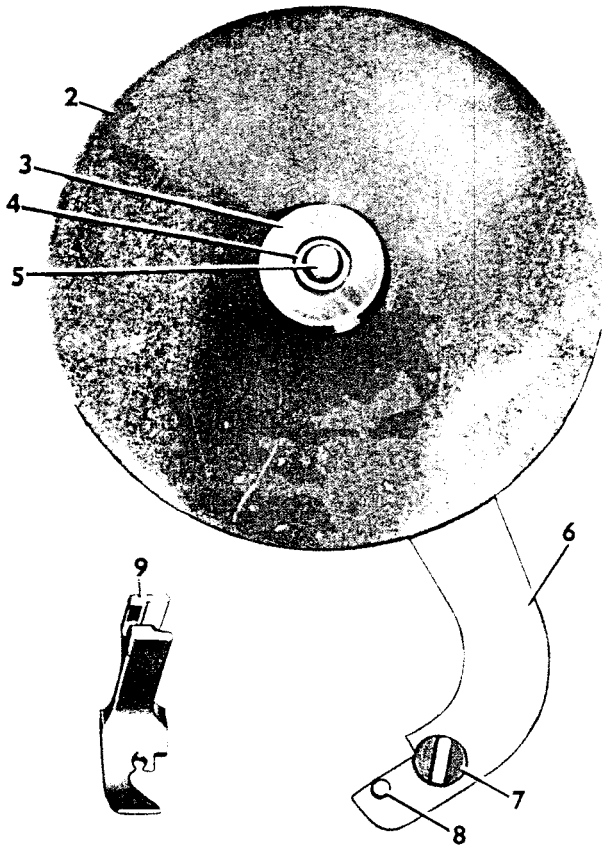
FOR GENERAL WORK

26	127260	Presser Foot (hinged) complete with Thread Cutter, Nos. 239E, 127257 to 127259 and 131256
27	131256	Hinge Pin
28	127257	Plate
29	127258	Shank with 665J
30	665J	Adjusting Screw
31	127259	Thread Cutter
32	239E	Screw

FOR TAILOR WORK

33	149357	Feed Dog
34	160358XC	Throat Plate

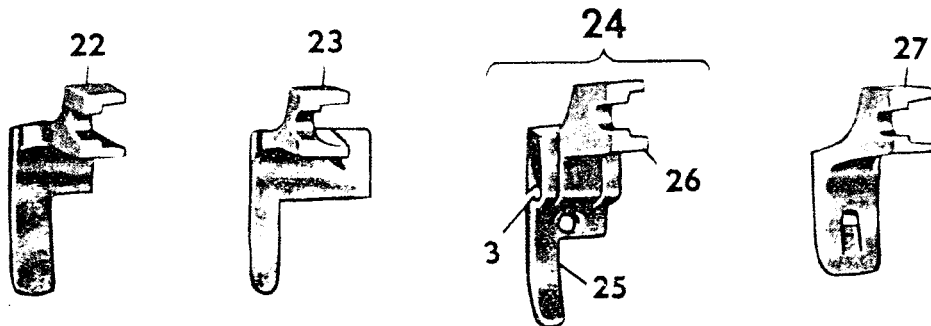
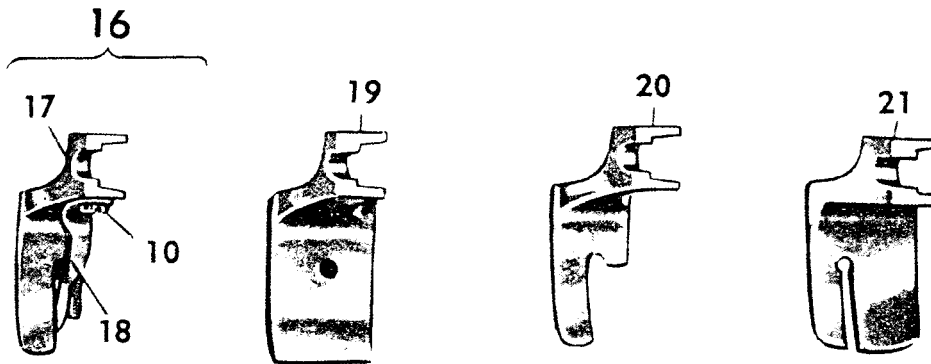
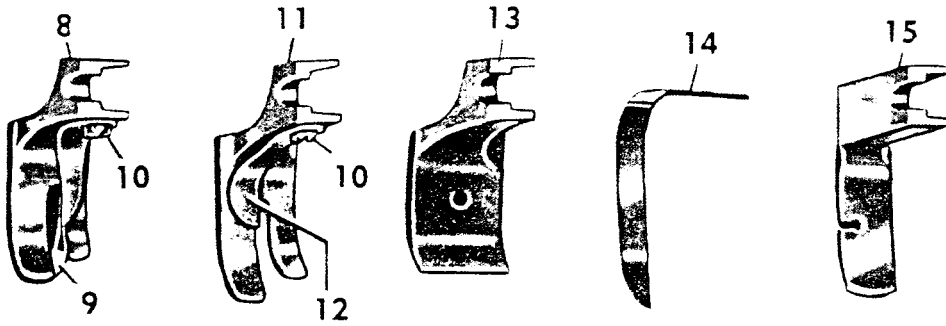
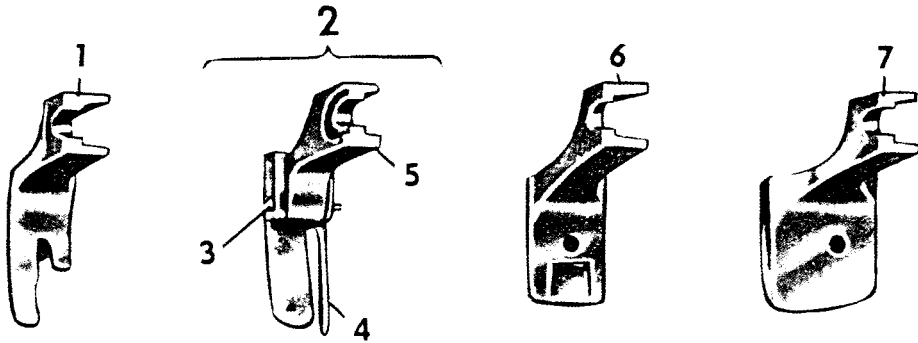
FITTINGS



FITTINGS
PRESSER FEET

Ref. No.	Part No.	<u>Description</u>
1	20150	Presser Foot, for general work and binding
2	24728	Presser Foot (hinged) with right hand strip guide complete, for 1/32 in. to 1/2 in. stitching margin Nos. 24726, 24727 and 26276
	Note:	When ordering No. 24728 state stitching margin for which required
3	26276	Hinge Pin
4	24726	Plate
5	24727	Shank
6	26650	Presser Foot, for braiding
7	28622	Presser Foot, grooved to left of needle hole
8	28726	Presser Foot (right hand spring guide) with 665J and 28725, for 1/32 in. to 1/4 in. margins
9	28725	Guide
	Note:	When ordering No. 28725 or No. 28726 state required distance from edge of goods to seam
10	665J	Guide Screw
11	28909	Presser Foot (left hand spring guide) with 665J and 28908, for 1/32 in. to 1/4 in. stitching margin
12	28908	Spring Guide
	Note:	When ordering 28908 or No. 28909 state required distance from edge of material to seam
13	36069	Presser Foot, grooved to left of needle hole
14	139619	Strip Gauge
15	139618	Presser Foot with 228J (needle hole on left hand side)
	228J	Strip Gauge Screw
16	139630	Presser Foot complete with Spring Guide at right side of needle, for 1/32 in. to 1/2 in. margins, Nos. 665J, 139628 and 139629
17	139628	Presser Foot
18	139629	Spring Guide
	Note:	When ordering No. 139628, 139629 or 139630, state required distance from edge of material to seam
19	160345	Presser Foot (blank)
	Note:	No. 160345 is furnished soft for grooving to suit cord
20	160349	Presser Foot, for binding
21	160350	Presser Foot, for 3/32 in. to 5/8 in. stitching margin
	Note:	When ordering No. 160350, state margin required
22	160351	Presser Foot, for binding
23	160352	Presser Foot, for binding
24	160355	Presser Foot (hinged) complete, for binding, Nos. 26276, 160353 and 160354
25	160353	Plate
26	160354	Shank
27	160356	Presser Foot, for French braiding

FITTINGS



FITTINGS**EDGE FOLDER ON SHANK FOR COLLAR BANDING**

<u>Ref. No.</u>	<u>Part No.</u>	<u>Description</u>
1	149450	Feed Dog
2	12464XC	Throat Plate (large needle hole)
3	35176	Presser Foot
4	35175	Edge Folder on Shank

HEMMERS (FOOT)

5	160344	Hemmer (foot) with 120843 and 120939, for 1/16 in. hem
6	160343	Hemmer (foot) with 6267 and 25888 (plain bottom taper hem groove) for 1/16 in. hem
	6267	Folder (soft)
	120939	Folder
	25888	Tongue
	120843	Tongue

Note: When ordering 6267, 25888, 120843 and 120939, state width of hem and number of Hemmer for which required

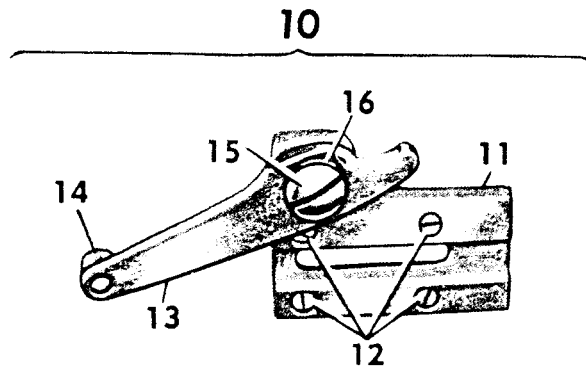
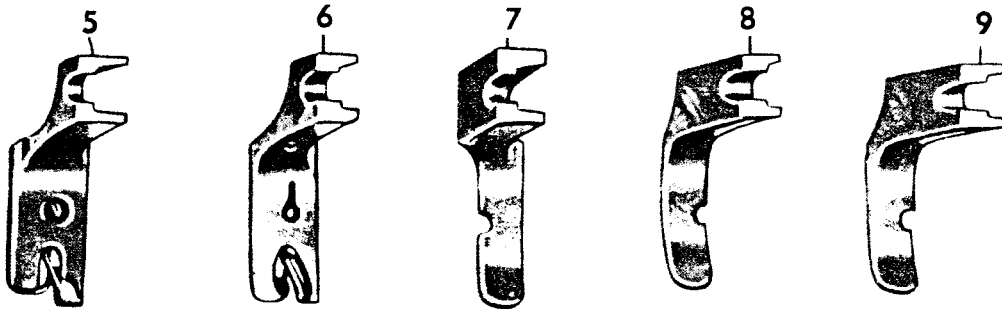
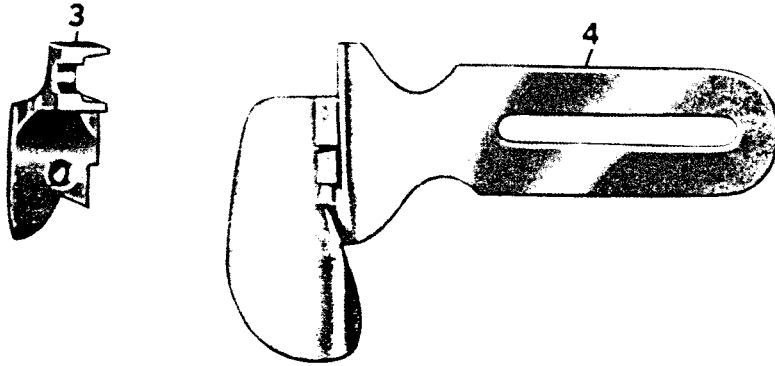
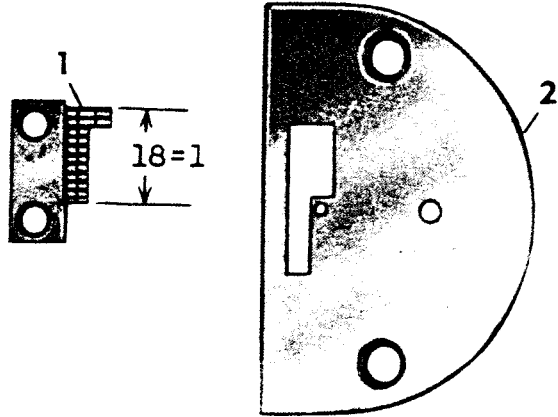
PRESSER FEET

7	160348	Presser Foot with 228J (needle hole on left hand side) for 1/32 in. stitching margin
8	160346	Presser Foot with 228J (needle hole on right hand side) for 3/64 in. stitching margin
9	160347	Presser Foot with 228J (needle hole on right hand side) for 1/64 in. stitching margin
	228J	Extension Screw

EDGE GUIDE (ROLLER)

10	36188	Edge Guide (roller) complete, Nos. 1425D and 36185 to 36187
11	36187	Bed with four 465F
12	465F	Leveling Screw
13	36185	Arm with 1988
14	1988	Roller and Screw Stud
15	1425D	Arm Hinge Screw
16	36186	Arm Friction Washer

FITTINGS



FITTINGS
FOR TAILOR WORK

<u>Ref. No.</u>	<u>Part No.</u>	<u>Description</u>
1	52462	Feed Dog
2	50117E	Screw
3	52463XC	Throat Plate
4	691X	Screw

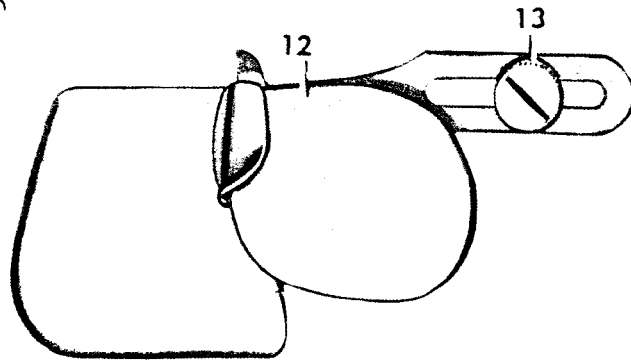
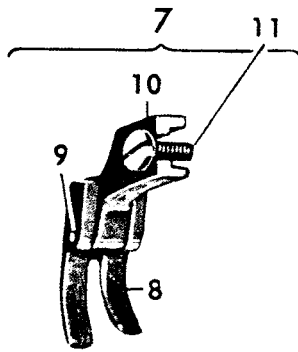
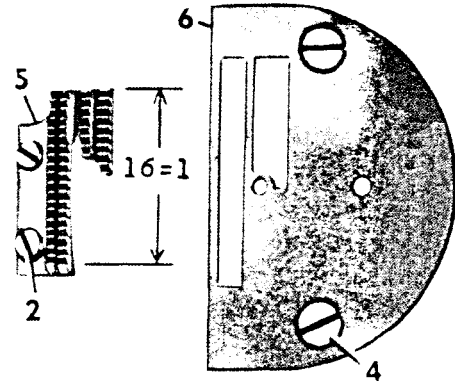
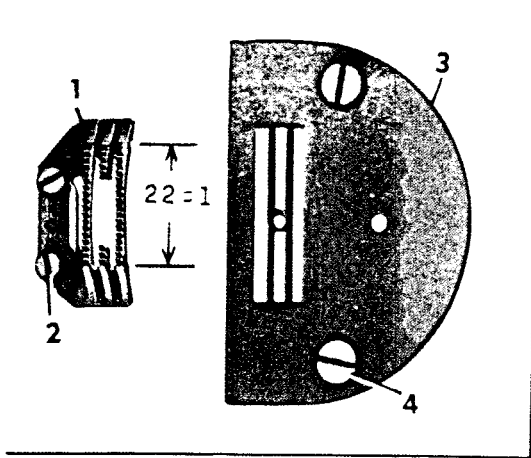
FOR YOKING

5	26603	Feed Dog
6	26605XC	Throat Plate (large needle hole)
6	26606XC	Throat Plate (small needle hole)
7	121660	Presser Foot (hinged) complete, Nos. 7298, 19223 and 121659
8	121659	Plate
9	7298	Hinge Pin
10	19223	Shank
11	140390AL	Screw
12	121658	Edge Folder with Edge Guide on Shank
13	50190W	Thumb Screw

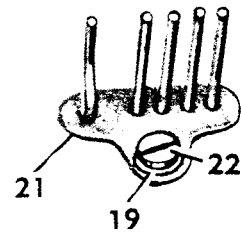
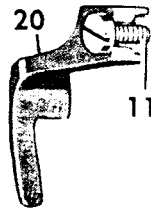
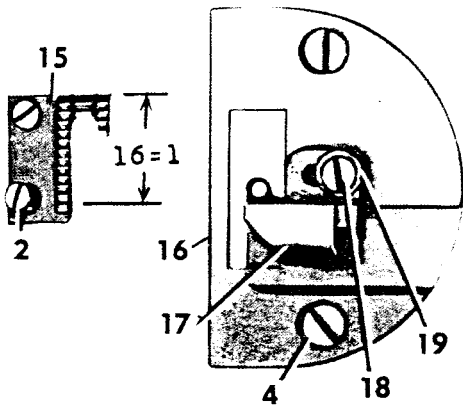
BINDER (ENGLISH) FOR GAUGES UP TO 9/16 INCH

14	26250	Binder complete, Nos. 190D, 207F, 25721, 25722, 25983, 121444, 121445 and two 7071
15	121444	Feed Dog
16	121445XC	Throat Plate
17	25721	Folder
18	207F	Screw
19	7071	Washer
20	25983	Presser Foot
21	25722	Ribbon Tension
22	190D	Screw

FITTINGS



14

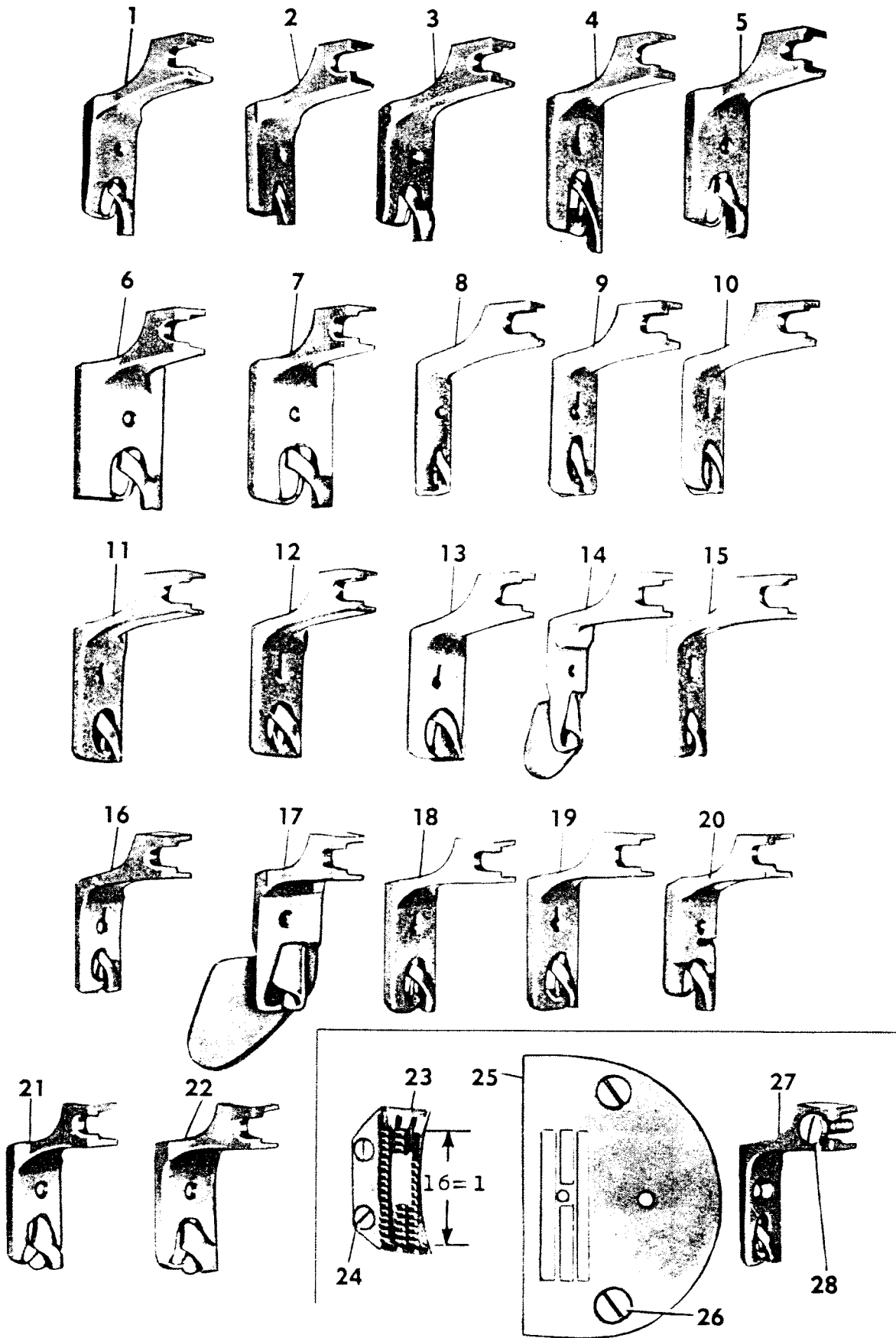


FITTINGSHEMMERS

<u>Ref. No.</u>	<u>Part No.</u>	<u>Description</u>
1	120803	Hemmer (foot) for 1/8 in. hem
2	120938	Hemmer (foot) for 3/32 in. hem
3	120804	Hemmer (foot) for 5/32 in. hem
4	36122	Hemmer (foot) for 7/32 in. hem
5	120805	Hemmer (foot) for 3/16 in. hem
6	120806	Hemmer (foot) for 1/4 in. hem
7	120807	Hemmer (foot) for 5/16 in. hem
8	35710	Hemmer (foot) for 3/32 in. hem, with guide on bottom to right of needle hole
9	35682	Hemmer (foot) for 1/8 in. hem, with guide on bottom to right of needle hole
10	36524	Hemmer (foot) for 5/32 in. hem, with guide on bottom to right of needle hole
11	35997	Hemmer (foot) for 3/16 in. hem, with guide on bottom to right of needle hole
12	36309	Hemmer (foot) for 7/32 in. hem, with guide on bottom to right of needle hole
13	36072	Hemmer (foot) for 1/4 in. hem, with guide on bottom to right of needle hole
14	120898	Hemmer (foot) for 1/16 to 1/8 in. hem, for China Silk
15	36414	Hemmer (foot) plain bottom, for 3/32 in. hem
16	36413	Hemmer (foot) plain bottom, for 1/16 in. hem
17	120911	Hemmer (foot) for 5/32 to 1/4 in. hem, for China Silk
18	36480	Hemmer (foot) plain bottom, for 5/32 in. hem
19	36416	Hemmer (foot) plain bottom, for 3/16 in. hem
20	120837	Hemmer (foot) plain bottom, for 1/8 in. hem, slotted, for lace
21	121761	Hemmer (foot) with 121981, for 1/8 in. hem, for hemming shirts
22	121762	Hemmer (foot) with 121981, for 5/32 in. hem
	121981	Tongue
	Note:	When ordering 121981 state width of hem and number of Hemmer for which it is required
23	121758	Feed Dog
24	50117E	Screw
25	121759XC	Throat Plate (small needle hole)
26	691X	Screw
27	121760	Hemmer (foot) for 1/8 in. hem for hemming shirts
28	140390AL	Screw

121803 3/16 Dublin Sew. Co.
 need folder

FITTINGS



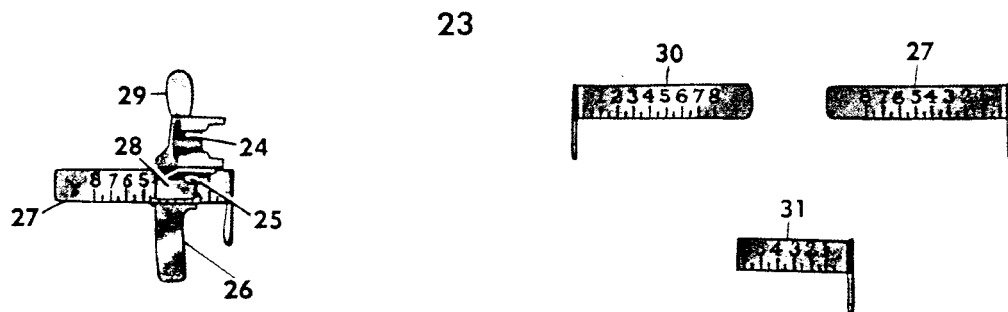
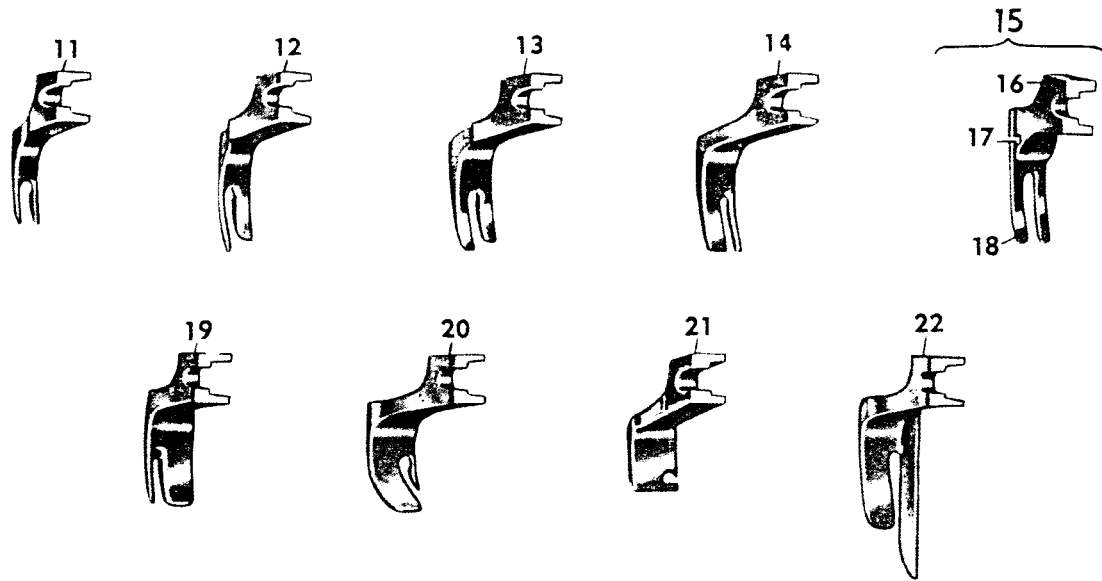
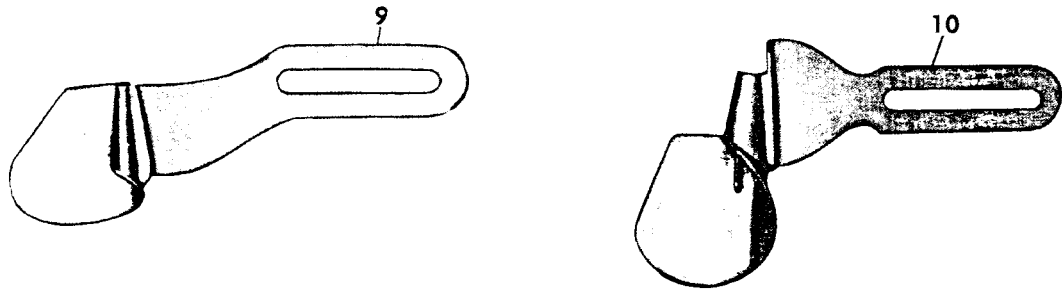
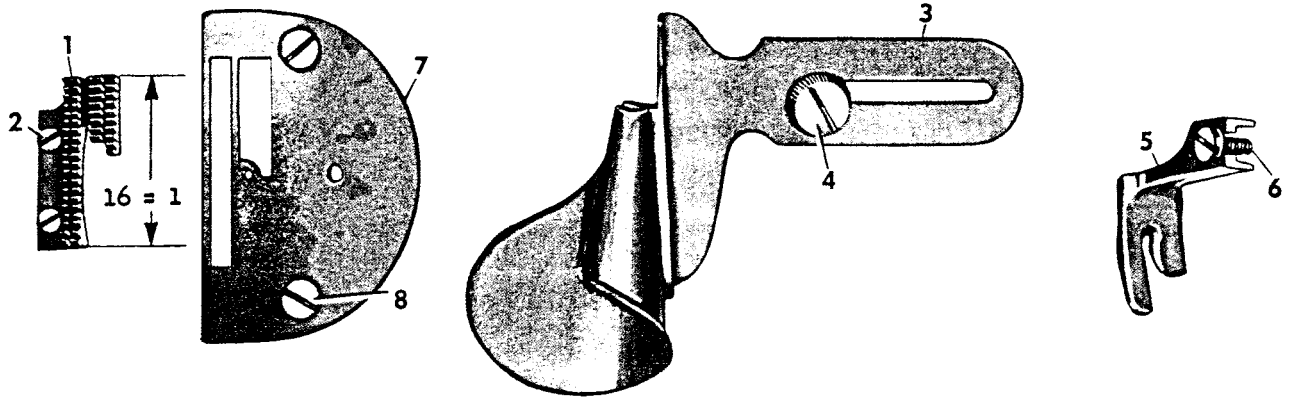
FITTINGS**HEMMERS ON SHANK**

<u>Ref. No.</u>	<u>Part No.</u>	<u>Description</u>
1	26603	Feed Dog
2	50117E	Screw
3	28627	Hemmer on Shank, for 1/8 to 5/8 in. gauges
4	50190W	Attachment Screw
5	28628	Presser Foot, for 3/8 to 5/8 in. gauges
6	176X	Screw
7	26605XC	Throat Plate (large needle hole)
7	26606XC	Throat Plate (small needle hole)
8	691X	Screw
9	120991	Hemmer on Shank, for 1/16 to 1/4 in. hem
10	120367	Hemmer on Shank, for handkerchief work

PRESSER FEET FOR SLIDE FASTENERS

11	121939	Presser Foot, for No. 3 Slide Fastener, for stitching either at the right or left of the Slide Fastener
12	121940	Presser Foot, for No. 3 and No. 5 Slide Fastener, for stitching at the right of the Slide Fastener
13	121941	Presser Foot, for No. 5 Slide Fastener, for stitching at the left or right of the Slide Fastener, for heavy woolen suiting and dresses
14	121942	Presser Foot, for No. 3 and No. 5 Slide Fastener, for stitching at the left of the Slide Fastener
15	121946	Presser Foot complete, for No. 5 Slide Fastener, for stitching at the left or right of the Slide Fastener for crossing seams, Nos. 62527 and 121943 to 121945
16	121944	Shank
17	62527	Hinge Pin
18	121943	Plate
	121945	Spring
19	121947	Presser Foot, for No. 3 and No. 5 Slide Fastener, for stitching at the right of the Slide Fastener for handbags
20	121950	Presser Foot with toes turned up close to needle hole, for No. 3 Slide Fastener
21	121951	Presser Foot, for No. 3 and No. 5 Slide Fastener, for stitching material with a heavy nap
22	121952	Presser Foot, for No. 5 Slide Fastener, for stitching woolen suiting material
23	121949	Presser Foot with Graduated Adjustable Guide complete, for No. 3 and No. 5 Slide Fastener, for making various margins up to 1/2 in. between the Slide Fastener and the line of stitching, Nos. 337B, 35003 to 35005, 35135, 35136 and 121948
24	36696	Adjustable Guide Clamp Steady Pin
25	337B	Adjustable Guide Clamp Screw
26	121948	Presser Foot with 36696
27	35004	Adjustable Guide (long, right)
28	35135	Adjustable Guide Clamp
29	35136	Adjustable Guide Clamp Lever
30	35003	Adjustable Guide (long, left)
31	35005	Adjustable Guide (short, right)

FITTINGS



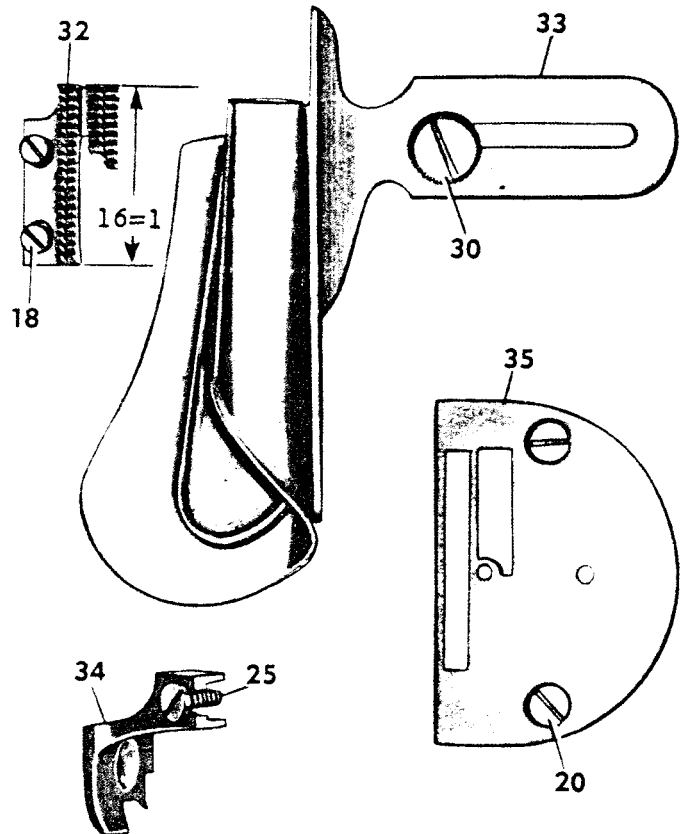
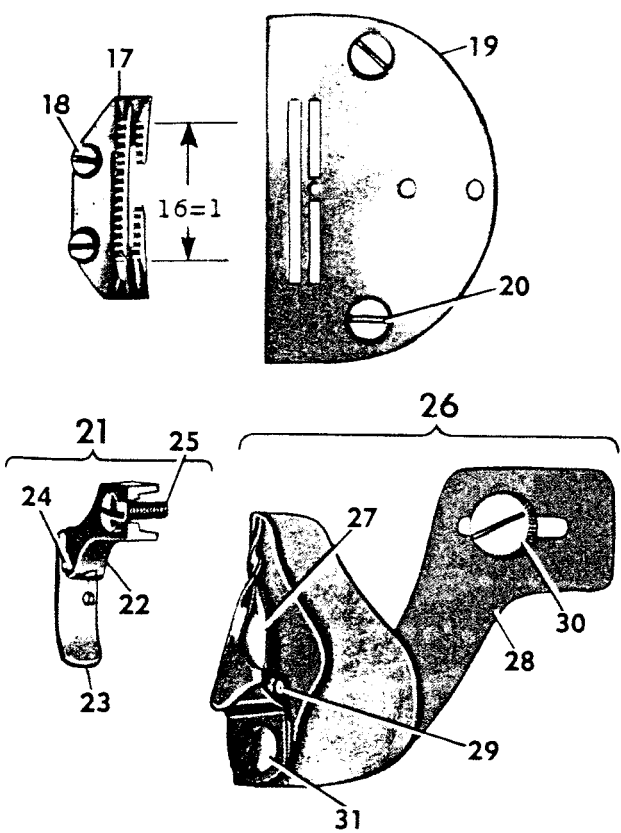
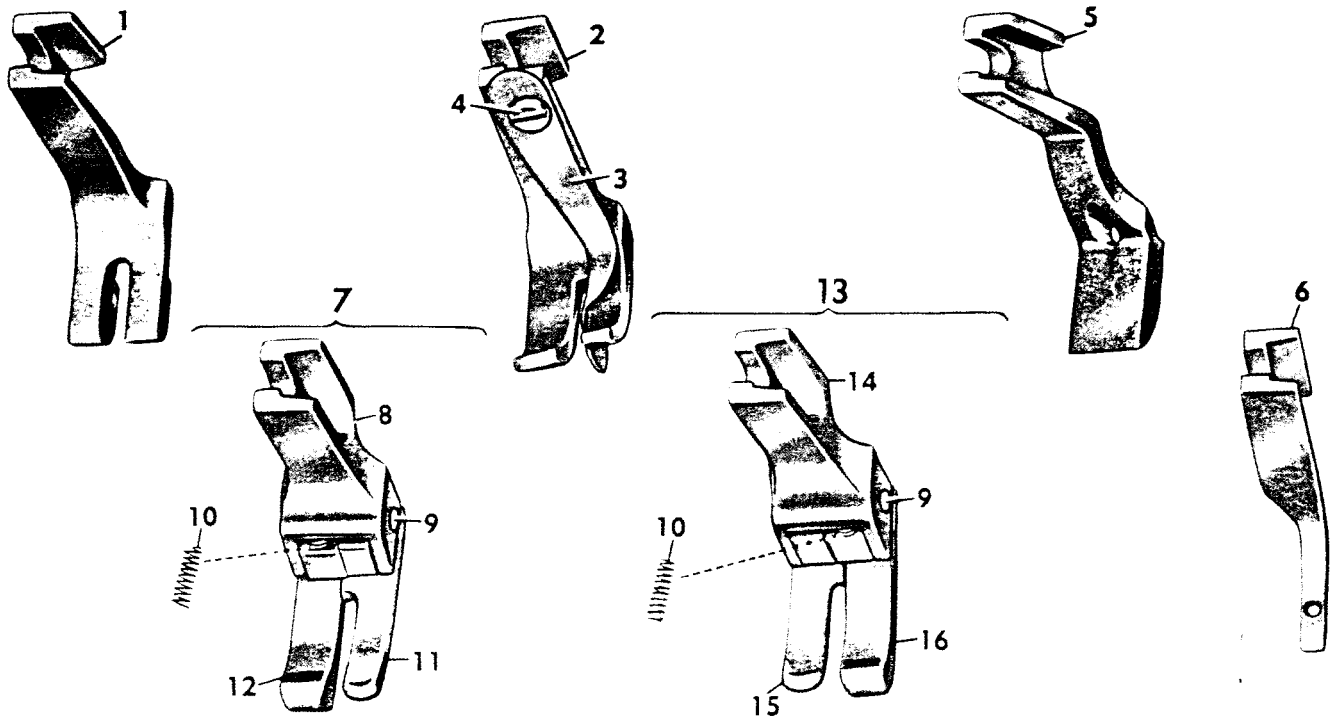
FITTINGS**PRESSER FEET**

<u>Ref. No.</u>	<u>Part No.</u>	<u>Description</u>
1	26638	Presser Foot (double toe, for gathering)
2	28726	Presser Foot (right hand spring guide) with 665J and 28725, for 1/32 in. to 1/4 in. gauges
3	28725	Spring Guide
	Note:	When ordering No. 28725 or No. 28726, state required distance from edge of goods to seam
4	665J	Screw
5	270195	Presser Foot, for gathering
6	270196	Presser Foot, for slide fasteners
7	143215	Presser Foot (hinged) long toes with left hand Yielding Plate complete, Nos. 18055, 143209, 143213, 143317 and 143320
8	143209	Shank
9	18055	Hinge Pin
10	143320	Spring
11	143213	Plate
12	143317	Yielding Plate
13	143219	Presser Foot (hinged) long toes with right hand Yielding Plate complete, Nos. 18055, 143216, 143217, 143318 and 143320
14	143217	Shank
15	143216	Plate
16	143318	Yielding Plate

HEMMERS ON SHANK

17	149163	Feed Dog, for 1/16 in. stitch
18	50117E	Screw
19	20123XC	Throat Plate
20	691X	Screw
21	40318	Presser Foot (hinged) complete, for lace running, Nos. 40316, 40317 and 62527
22	40317	Shank
23	40316	Plate
24	62527	Hinge Pin
25	176X	Screw
26	35540	Hemmer on Shank complete, with right hand lower guide, for lace, Nos. 1443B, 35926, 35927 and two 590J
27	35926	Hemmer
28	35927	Shank
29	590J	Adjusting Screw
30	50190W	Thumb Screw
31	1443B	Screw
32	26603	Feed Dog
33	35236	Hemmer on Shank, for 7/16 to 1-1/8 in. hem
34	52055	Presser Foot
35	26605XC	Throat Plate (large needle hole)
35	26606XC	Throat Plate (small needle hole)

FITTINGS



NUMERICAL LIST OF PARTS

Part No.	Page No.	Part No.	Page No.	Part No.	Page No.	Part No.	Page No.
176X	36, 56,	1443J	72	20158	66	28628	90
66, 68, 70, 90, 92		1560C	44	20160XC	56	28676	58
190D	72, 86	1988	84	20343	74	28725	82, 92
190J	80	2102	44, 50	20356XC	68	28726	82, 92
193J	58	2656	76	20357XC	68	28775XC	58
207D	64	2809	60	20360	74	28776	58
207F	86	2974	42	20361	74	28908	82
208AL	62	2975	42	20458	70	28909	82
209AL	58	3146	80	23263	64, 80	28972	78
217E	62	6267	76, 78,	24726	82	32572	44
217J	80	84		24727	82	33887	60
228J	74, 82,	7071	58, 78,	24728	82	35002	58
84		80, 86		25128	54	35003	58, 90
233D	74	7298	56, 70,	25721	86	35004	58, 90
233J	58	74, 86		25722	86	35005	58, 90
234E	76	8879	64	25878	48	35006	58
239E	68, 80	9842R	54	25888	76, 84	35134	58
337B	58, 90	12142	70	25983	86	35135	58, 90
337J	66, 76	12298XC	80	26231	36, 60,	35136	58, 90
390C	66	12335	74	64, 68		35137	58
448AL	62	12361	48	26250	86	35175	84
453XC	44	12370	58	26276	68, 70,	35176	84
457AL	72	12422XC	80	74, 76, 78, 82		35208	72
465F	84	12435	74	26279	74	35236	92
590J	92	12462	74	26280	74	35245	56
591F	42	12463	74	26281	74	35528	74
592E	42	12464XC	84	26282	74	35540	92
602J	58	12483XC	76	26283	74	35610	72, 78
665J	68, 74,	13710	44, 50	26603	56, 58,	35682	88
80, 82, 92		18055	92	70, 72, 86, 90, 92		35710	88
691F	66	19223	74, 86	26605XC	56, 70,	35926	92
691X	36, 56,	19334	70	72, 78, 86, 90, 92		35927	92
60, 66, 68, 70, 72,		19335	56, 70,	26606XC	56, 70,	35997	88
86, 88, 90, 92		74		72, 86, 90, 92		36069	82
724F	72	19336	70	26638	92	36072	88
940F	72	19419	66	26650	82	36122	88
940W	78	20022	60	26682	60	36185	84
1010F	62	20123XC	66, 92	26795	72	36186	84
1044D	72	20124XC	58	26796	72	36187	84
1053E	42	20133	74	27739	62	36188	84
1253AL	42	20134	74	27878	60	36309	88
1367E	42	20150	82	28334	58	36413	88
1380E	42	20155	74	28337	58	36414	88
1425D	84	20156	74	28622	82	36416	88
1443B	92	20157	74	28627	90	36464	74

NUMERICAL LIST OF PARTS

Part No.	Page No.	Part No.	Page No.	Part No.	Page No.	Part No.	Page No.
36465	74	50305C	44	120485	58	121659	86
36480	88	51097J	80	120532	80	121660	86
36524	88	51224W	78	120535	80	121662	70
36574	70	52031	38, 60,	120536	64, 72,	121663	70
36575	70	68		80		121732	72
36576	70	52032XC	60, 68	120537	64, 80	121733	72
36654	74	52033XC	60, 68,	120538	64, 72,	121734	72
36696	58, 90	76		80		121735	72
36714	74	52055	72, 92	120539	64, 72,	121736	72
36715	74	52056	56	80		121737	72
36716	74	52083	44	120737	80	121738	72
36717	74	52098	44	120738	80	121744	72
36773	74	52188	66, 70	120739	80	121758	88
39652	44	52189	66	120740	72, 80	121759XC	88
40315	74	52190XC	66, 70	120741XC	80	121760	88
40316	92	52390	68	120742	80	121761	88
40317	92	52462	86	120775	80	121762	88
40318	92	52463XC	86	120803	88	121763	74
40322	74	52544	70	120804	88	121844	70
40392	42	60913	62	120805	88	121938XC	72
40393	42	60914	62	120806	88	121939	90
40394	42	62527	36, 60,	120807	88	121940	90
41400	48	64, 68, 74, 90, 92		120828	74	121941	90
42290	80	62925	36, 60	120837	88	121942	90
43525	80	62926	36, 60	120838	78	121943	90
44136	70	62927	36, 60	120843	84	121944	60, 64,
44137XC	70	67425	44	120898	88	90	
44158	68	79626	60	120911	88	121945	60, 64,
44159	68	79627	60	120938	88	90	
44160	68	79628	60	120939	78, 84	121946	90
44161	68	120143	56	120991	90	121947	90
44162XC	68	120144	56	121169	72	121948	90
44243	60	120206	72	121412	64	121949	90
44252	58, 70	120207	72	121444	86	121950	90
44253	56, 58,	120208	72	121445XC	86	121951	90
70		120342	48	121446	58, 72	121952	90
44255XC	56, 70	120343	48	121447XC	72	121981	74, 78,
44256XC	56, 70	120367	90	121646	66	88	
50117E	38, 56,	120427	78	121647	66	125320	42
60, 66, 68, 70, 72,		120479	58	121648	66	127087	58, 68
86, 88, 90, 92		120480	58	121649XC	66	127106XC	68
50190W	48, 56,	120481	58	121653	56	127107XC	68
70, 72, 86, 90, 92		120482	58	121655	70	127229	68
50202J	70	120483	58	121656	70	127233	68
50304C	44	120484	58	121658	86	127234	68

NUMERICAL LIST OF PARTS

Part No.	Page No.	Part No.	Page No.	Part No.	Page No.	Part No.	Page No.
127238XC	68	149164	66, 70	160356	82	200545C	38
127257	68, 80	149315	78	160358XC	80	200566E	66
127258	68, 80	149357	80	160406	76	200567XC	34
127259	68, 80	149450	84	160942	74	200577AL	34
127260	68, 80	149474	78	192349	72	200582X	34
131256	68, 80	149481	76	200004E	46	200583X	44, 66
139618	82	149603	78, 80	200040E	38	200586X	44
139619	82	150203	62	200041X	46	200679F	36
139628	82	150962	60	200049X	44	200710	54
139629	82	160316	78	200053X	46	200902D	54
139630	82	160317XC	78	200054E	34	201018C	62
140390AL	70, 72, 86, 88	160318	78	200056E	50	201188C	54
142057	60, 64	160319	76	200070C	40	201215D	40
142058	60, 64	160320	76	200077D	42	201220C	40, 54
142059	60, 64	160321	76	200082D	50	201254C	38
142060	60, 64	160322	78	200086C	34	201346C	54
142061	64	160323	78	200095B	54	201387X	44
142062	64	160324	78	200113F	36, 50	201499X	50
143165	70	160325	78	200126F	64	201522E	38
143166	70	160326	78	200132E	36	201528X	62
143167	70	160331	78	200145C	36	201572X	50
143168	70	160332XC	78	200161X	44	201696X	62
143169XC	70	160333	76	200166X	44	202005	46
143170	68	160334	76	200169C	38	202090	64
143171XC	68	160335	76	200187X	66	202277	50
143172	56	160336	76	200263XC	44	202302	36
143173	56	160337	76	200272C	36	202330	34
143174	70	160338	76	200293C	36	202423	40
143175XC	70	160339	76	200299X	50	202478	50
143209	92	160340	76	200333C	34, 40	202603	64
143213	92	160341XC	76	200346C	40, 46	202603	64
143215	92	160342	80	200347AL	52	204235	46
143216	92	160343	84	200363AL	34	205796	54
143217	92	160344	84	200364C	54	214206	34, 40
143219	92	160345	82	200366X	46	225190	54
143272XC	36, 60	160346	84	200373C	54	225257	62
143301	42	160347	84	200374C	34	225258	62
143317	92	160348	84	200378C	34	225322	62
143318	92	160349	82	200380C	50	225324	62
143320	92	160350	82	200382C	40, 54	225326	62
149031	76	160351	82	200383C	62	225377	62
149117	58	160352	82	200394C	38, 54	225381	50
149159	56	160353	82	200397X	46	225388	62
149163	66, 92	160354	82	200469X	66	225390	62
		160355	82	200530C	52	225391	62
						225421	56

NUMERICAL LIST OF PARTS

Part No.	Page No.	Part No.	Page No.	Part No.	Page No.	Part No.	Page No.
225422	56	240231	40	270010	42, 48	270878	42
225423	56	240245	40	270013	38	270879	40
225424	56	240566	48	270014	38	270926	34
225425	56	259055	54	270016	38	270937	42
225426	56	259057	54	270017	40	270938	42
225427	56	259063	54	270018	40	270939	42
225428	56	259064	54	270026	40	270941	38
225434	56	259370	62	270032	40	270942	38
225444	50	259371	62	270036	40	270944	40
225453	50	259372	62	270038	46	271127	34
225454	50	259373	62	270039	46	272051	66
225455	50	259378	62	270044	40	272052	66
225456	50	259379	62	270050	34	272053	66
225458	50	259428	50	270055	34	272054	66
225459	50	259429	50	270057	34	272055	66
225461	50	259461	50	270058	36	272056	66
225462	50	259462	50	270080	46	272057	66
225604X	64	259463	54	270086	44	272058	66
225706	66	259464	54	270120	60, 64	272059	66
225708	66	259465	54	270121	60, 64	272102	46
226663	66	259466	54	270122	60, 64	272104	44
227227	36	259467	54	270124	46	272105	44
228026	50	259468	54	270127	58	272106	38
228363	52	259469	54	270128	58	272107	38
228364	52	259470	54	270129	58	272108	38
228365	52	259471	54	270130	58	272109	38
228367	52	259472	54	270134	64	272110	38
228370	52	259474	54	270136	64	272111	38
228386	52	259477	48	270137	40	272112	38
228388	52	259502	58	270140	40	272113	38
228395	60	259658	62	270155	48	272115	38
228396	60	259660	50	270163	40	272116	38
228455	52	259662	50	270164	40	272117	40
228476	48	259778	64	270169	40	272118	38
228478	48	259779	64	270195	92	272119	36
228493	48	259780	64	270196	92	272120	34
228692	62	259781	64	270261	46	272121	36
228693	62	259782	64	270266	34	272122	36
228707	52	259783	64	270305	34	272123	36
228709	52	259784	64	270643	64	272124	58
228710	52	263118	46	270868	42	272125	76
228713	52	268258	40	270869	42	272126	44
230743	44	270004	34, 54	270872	42	272127	44
232896	62	270005	34	270873	42	272128	44
237751	54	270009	46	270874XC	42	272129	42

NUMERICAL LIST OF PARTS

Part No.	Page No.	Part No.	Page No.
272130	42	350492C	34
272131	42	350498E	40
272132	42	350499XC	36
272133	34	350503X	44
272134	34	350511D	64
276004	34	350528C	66
276009	40	350538C	36
276014	36	350540C	34
276015	36	350541C	34
276016	36	350550AL	46
276018	34	350562XC	40
276019	34	350578XC	40
276020	34		
276021	34		
276022	34		
276025	36		
276026	46		
276027	36		
276028	36		
276031	34		
276032	34		
276034	34		
276035	34		
276043	34		
276044	40		
276045	46		
276046	46		
276047	40		
276048	36		
276049	44		
276050	44		
276051	44		
276052	46		
276055	44		
276056	44		
276057	36		
276059	40		
276060	40		
276061	40		
276062	40		
350107C	54		
350231C	52		
350411C	36		
350442C	36		
350445F	34		

I N D E X

<u>Description</u>	<u>Page</u>
Accessories	48, 49
Arm Shaft Connection Belt, removing and replacing	28, 29
Arm Shaft, removing	30
Attachments, Special Fittings, etc.	54 to 93
Bobbin, removing	6
Bobbin, winding	7
Bobbin Case, replacing	9
Bobbin Case, threading	8
Description of Machine	3
Feed Dog, setting at correct height	27
Feed Eccentric, adjusting	28
Feed Mechanism	27
Foreword	2
Hints for Perfect Operation	15
Hook Driving Shaft, removing and replacing	26, 27
Length of Stitch, regulating	14
Needle Bar, setting at correct height	19
Needle Guard and Needle, determining correct relationship of	21, 22
Needles	5
Needle, setting	9
Oiling Machine	4, 5
Parts List, Descriptions and Illustrations	33 to 53
Parts List, Numerical	94 to 98
Preparing to Sew	11
Presser Bar Adjustments	18
Pressure on Material, regulating	14
Removing Work	11
Rotating Hook Shaft Bushing, adjusting	24, 25
Setting Up	4
Sewing, to commence	11
Sewing Hook, removing and replacing	23
Sewing Hook Shaft, removing	24
Sewing Hook, timing	20
Speed	3
Tensions	13
Tensions, regulating	13
Tension Releaser, adjustment of	18
Thread	6
Thread Take-Up, removing broken thread	12
Thread Take-Up Spring, adjustment of	17
Threading, upper	10
Timing Machine	16