

Singer 7-16

Singer 7-17

Singer 7-18

HISTORICAL COPY
Price List of Parts
DO NOT REMOVE

Numbers

7-16

7-17

7-18

MACHINES



The Singer Manufacturing Company.

INDEX.

	PAGE
No. 7-16 Machine.....	4
No. 7-17 ".....	10
No. 7-18 ".....	11
Accessories.....	9
Belt Shifter.....	11
Bobbin Winder.....	12
Driving Attachment.....	10
Numerical List.....	13

List of Parts

NUMBERS

7-16 to 7-18

MACHINES.

In ordering from this list, use **ONLY** the **PART** number, in the first column.

Each number always indicates the **SAME PART** in whatever list it appears, or for whatever machine.

The letters after some of the numbers indicate the style of finish only, as follows :

- A. Hardened, Polished and Plated.
- B. Polished and Plated.
- C. Hardened only.
- D. Polished "
- E. Soft, not Polished.

These letters **MUST BE USED** *when* they appear in the list, and **AFTER** the number, *as* in the list.

In this series

1 to 1500 are Screw Numbers.

1501 " 1800 " Nut "

1801 " 2000 " Roller "

2001 and upward are numbers of Machine Parts.

The figures in the second column refer only to the plates, illustrating the parts, and are **NOT TO BE USED** in ordering.

Parts marked with an asterisk (*) are furnished only when repairs are made at factory.

PARTS COMPLETE FOR

7-16 MACHINE.

DROP FEED, 1/4-INCH STITCH, NO. 14 NEEDLE, FOR HEAVY THREAD,
FOR OIL PRESS BAGS, ETC.

No.	Plate.	Name.	Each.	Old No.
*19501	—	Arm.....	18	50 —
8702	887	" Dowel Pin.....	15	3
872E	900	" Screw.....	10	—
11853	825	" Shaft.....	7	00 4
11354	830	" " Bushing.....	75	5
437C	899	" " " Set Screw.....	04	—
11913	825	" Side Cover.....	25	—
65D	899	" " " Screw.....	15	—
8708	827	" Spool Pin.....	05	72
11356	896	Balance Wheel with two 354C.....	1	75 6
354C	899	" " " Set Screw.....	06	—
*11359	—	Bed.....	18	50 —
11361	894	" Foot Bracket (left).....	10	—
11360	894	" " " (right).....	10	—
507E	898	" " " Bolt with 1515.....	02	—
1515	890	" " " " Nut.....	01	—
670E	862	" Front Bearing Clamping Screw.....	06	—
11363	825	Crank Connecting Rod.....	1	25 206
*11364	—	" " " Cap.....	—	—
145E	899	" " " " Screw.....	04	—
565C	898	" " " " Hinge Screw.....	15	—
1513	890	" " " " " " " " Nut.....	05	—
11365	828	Feed Bar.....	1	50 25
307C	898	" " " " " " " " Screw Centre.....	06	—
1513	890	" " " " " " " " Nut.....	05	—
11367	830	" Cam with two 445C.....	1	00 12
445C	900	" " " " " " " " Set Screw.....	03	—
11368	830	" Connecting Link.....	35	16
565C	898	" " " " " " " " Hinge Screw.....	15	—
1513	890	" " " " " " " " Nut.....	05	—
11884	875	" Dog.....	75	—
166D	899	" " Screw.....	07	—
11370	825	" Forked Connection.....	1	75 207
565C	898	" " " " " " " " Hinge Scr.....	15	—
1513	890	" " " " " " " " Nut.....	05	—
11371	825	Feed Lifting Rock Shaft.....	1	40 31
11372	—	" " " " " " " " 11371 with 11374.....	2	35 29
11374	830	Feed Lifting Rock Shaft Crank with 453C and 1861.....	95	—

No.	Plate	Name	Each.	Old No.
2117	890	Feed Lifting Rock Shaft Crank Pin..	01	23
1861	862	" " " " " " " " Roller and Stud.....	35	—
453C	899	Feed Lifting Rock Shaft Crank Set Screw.....	02	—
564C	898	Feed Lifting Rock Shaft Scr. Centre.	12	—
1508	800	" " " " " " " " Nut.....	06	—
11375	830	Feed Regulator.....	60	208
568E	898	" " " " " " " " Hinge Screw.....	15	—
254D	902	" " " " " " " " Thumb Screw.....	40	—
11376	825	" Rock Shaft.....	1	40 21A
11377	—	" " " " " " " " 11376 with 11379... 2	00	20
11379	893	" " " " " " " " Crank with 453C...	60	22
2117	890	" " " " " " " " Pin.....	01	23
453C	899	" " " " " " " " Set Screw.....	02	—
564C	898	" " " " " " " " Screw Centre.....	12	—
1508	890	" " " " " " " " Nut.....	06	—
25881	894	Guide.....	40	34
254D	902	" Screw.....	40	—
11402	828	Lifting Presser Bar.....	1	00 49
11461	851	" " " " " " " " Bell Crank.....	1	25 58
8D	898	" " " " " " " " Hinge Screw.....	20	—
1828	899	Lifting Presser Bar Bell Crank Roller and Screw 372C.....	25	—
372C	898	Lifting Presser Bar Bell Crank Roller Screw.....	12	—
1518	800	Lifting Presser Bar Bell Crank Roller Screw Nut.....	04	—
2718	897	Lifting Presser Bar Bell Crank Roller Screw Nut Washer.....	01	300
11463	851	Lifting Presser Bar Guide Bracket with 159 and 453C.....	2	00 —
159	899	Lifting Presser Bar Guide Bracket Adjusting Screw.....	03	—
11405	830	Lifting Presser Bar Guide Bracket Guide.....	50	53
381D	899	Lifting Presser Bar Guide Bracket Guide Screw.....	06	—
453C	899	Lifting Presser Bar Guide Bracket Set Screw.....	02	—
11465	853	Lifting Presser Bar Spring Bracket with 353C.....	1	00 51
353C	899	Lifting Presser Bar Spring Bracket Set Screw.....	12	—
11466	853	Lifting Presser Bar Spring Bracket Set Screw Washer.....	10	—
11726	848	Needle Bar.....	1	00 —
11381	830	" " " " " " " " Connecting Link.....	80	238
566C	898	" " " " " " " " Hinge Screw.....	15	—

No.	Plate	Name	Each.	Old No.
1513	890	Needle Bar Connecting Link Hinge Screw Nut.....	05	—
11383	887	Needle Bar Connecting Stud with two 445c.....	1 25	36
	445c	Needle Bar Connecting Stud Set Screw	03	—
	258D	" " Screw Bushing.....	20	—
11847	888	" " Clamp with 245 and 11385....	75	—
11385	890	" " Gib.....	15	40
	245	" " Set Screw.....	03	—
11497	—	Oil Cup.....	80	—
11917	—	" " Cover.....	25	—
9084	889	" " " Hinge Pin.....	02	—
2205	887	" " " Latch Spring.....	04	296
207	901	" " " " Screw....	02	—
	135D	" " Screw.....	05	—
11919	888	" " Thread Eyelet.....	05	—
	8953	" " or Wax Stripper (felt).....	03	297
5480	887	" " " Washer (steel), for 11497.....	01	—
11018	888	Oil or Wax Stripper Washer (steel), for 11917.....	03	—
	207	Oil or Wax Stripper Washer Screw..	02	—
11921	825	" Cup complete, Nos. 2205, 5480, 9084, 11497, 11917, 11918, 11919, two 8953 and three 207.....	1 25	—
11841	827	Oscillating Rock Shaft (steel).....	1 75	—
11398	827	" " " Hinge Pin... ..	75	256
1508	890	" " " " " Nut	06	—
	622c	" " " " " Ser. Bearing.....	15	—
1508	890	Oscillating Rock Shaft Hinge Pin Scr. Bearing Nut.....	06	—
11165	897	Oscillating Rock Shaft Oil Pad.....	01	—
11842	—	" " " 11841, with 622c, 11165 11398 and two 1508 ...	2 75	—
11850	825	Oscillating Shaft.....	1 25	—
11393	887	" " Collar with two 453c	10	354
	453c	" " " Set Screw..	02	—
11848	—	" " Crank.....	30	—
11849	830	" " " 11848 with 453c, 1513 and 1885.....	75	—
2117	890	Oscillating Shaft Crank Pin.....	01	23
1885	900	" " " Roller and Screw Stud.....	40	—
1513	890	Oscillating Shaft Crank Roller and Screw Stud Nut.....	05	—
190	899	Oscillating Shaft Crank Roller Cap Screw.....	03	—
5968	887	Oscillating Shaft Crank Roller Cap Screw Washer.....	02	—
453c	899	Oscillating Shaft Crank Set Screw...	02	—

No.	Plate	Name	Each.	Old No.
11908	—	Presser Bar Lifter.....	1 00	—
11909	830	" " " 11908 with 8761 and 8763.....	1 25	—
8760	888	Presser Bar Lifter Friction Washer..	03	56
	16D	" " " Hinge Screw ...	20	—
8761	890	" " " Stop Pin.....	05	55
11906	827	" " " Lifting Link.....	50	—
	353c	" " " " Cap Screw..	12	—
8763	890	" " " " Hinge Stud..	25	152
	7958	" " " " " " "		
		Pin.....	01	153
8765	890	Presser Bar Lifting Link Hinge Stud Washer.....	04	154
	258D	Presser Bar Screw Bushing.....	20	—
11409	827	" " Spring.....	15	50
11411	887	" " " Collar with 453c..	10	—
	453c	" " " " Set Screw..	02	—
	252D	Pressure Regulating Thumb Screw..	40	—
11851	833	Shuttle (cylinder), 3-in. diam., with 11910.....	6 00	—
11910	833	Shuttle Bobbin (solid and hardened).	25	—
11852	833	" Cylinder.....	2 50	—
	8961	" " Hinge Pin.....	02	63
	11853	" " Latch.....	15	—
12002	833	" " " Pin.....	01	—
11854	833	" " " Spring.....	03	—
	590E	" " " " Screw..	02	—
11727	—	Driver with 453c.....	1 25	—
	2117	" " Pin.....	01	23
	453c	" " Set Screw.....	02	—
11855	833	" Frame.....	2 75	—
11832	830	" Race Back.....	1 00	—
11833	889	" " " Dowel Pin.....	01	—
11834	830	" " " Spring.....	25	—
	32D	" " " Screw.....	15	—
11835	—	" " Body.....	2 75	—
11837	825	" " Frame with 11833.....	2 00	—
11838	889	" " " Position Pin....	03	—
11836	825	" " complete, Nos. 32D, 11832, 11834, 11835 and two 11833..	4 00	—
	135D	Shuttle Race Screw....	05	—
11500	851	" " Slide (back).....	50	—
	180	" " " " Screw....	03	—
11418	828	" " " (front).....	35	318
	773C	" Tension Regulating Screw... ..	05	—
	8964	" " Spring.....	40	360
11421	887	Tension Bracket.....	50	76
	190	" " Screw.....	03	—
11423	888	" Friction Washer (steel)....	03	75
	8879	" " " (felt). Old No. 171, No. 5 Machine.....	01	—

No.	Plate	Name	Each.	Old No.
1560	903	Tension Regulating Thumb Nut.....	04	--
8905	887	" " " "		
411	898	Washer.....	01	361
11422	888	Tension Screw Stud.....	25	--
11044	887	" Spring.....	10	74
11420	---	" Wheel.....	75	--
		" (wheel) complete, Nos. 411, 1560, 8905, 11044, 11422, 11423 and two 8879.....	1	20 --
11950	888	Thread Eyelet for 11041.....	05	--
2102	888	" Retainer Disc.....	05	84
1560	903	" " Regulating Thumb Nut.....	04	--
8905	887	Thread Retainer Regulating Thumb Nut Washer.....	01	361
686D	902	Thread Retainer Screw Stud.....	25	--
2103	888	" " Spring.....	03	85
11041	---	" " complete, Nos. 686D, 1560, 2103, 8905 and two 2102.....	45	--
11428	827	Thread Take-up Cam (steel), with 434c.....	5	00 80
8873	887	Thread Take-up Cam Pin.....	05	81
434C	899	" " Set Screw.....	04	--
11729	---	" " Lever.....	2	00 --
11730	848	" " " 11729 with 1518, 1845, 11731 to 11733 & 11735.	2	75 --
567D	898	Thread Take-up Lever Hinge Screw.	15	--
11731	875	" " " Roller.....	25	--
1845	899	" " " " and Scr. Stud.....	30	--
1518	890	Thread Take-up Lever Roller and Screw Stud Nut.....	04	--
11732	875	Thread Take-up Lever Roller Pin...	03	--
11733	---	" " " " Plate (right).....	10	--
11734	875	Thread Take-up Lever Roller Plate (left) obsolete.....	10	--
11735	---	Thread Take-up Lever Roller Plate Rivet.....	01	--
11052	887	Thread Take-up Spring.....	08	--
11431	888	" " " Regulator Plate.....	10	83
190	899	Thread Take-up Spring Regulator Plate Adjusting Screw.....	03	--
11736	---	Throat Plate Body for 11737.....	75	--
11737	875	" " " 11736, with 219 and 11738 or 11891.....	1	00 --
11738	875	Throat Plate Needle Plate (large oblong needle hole).....	25	--
11891	875	Throat Plate Needle Plate (small oblong needle hole).....	25	--

No.	Plate	Name	Each.	Old No.
219	901	Throat Plate Needle Plate Screw...	02	--
381D	899	" " Screw.....	06	--
11949	839	Vibrating Presser Bar.....	1	00 --
11468	851	" " " Guide Bracket	1	30 --
11469	---	" " " " " " " " " 11468 with 11470 and two 190.....	1	50 91
11470	851	Vibrating Presser Bar Guide Bracket Cap.....	20	92
190	899	Vibrating Presser Bar Guide Bracket Cap Screw.....	03	--
3012	853	Vibrating Presser Bar Guide Bracket Pin.....	01	--
448C	900	Vibrating Presser Bar Guide Bracket Set Screw.....	03	--
164D	899	Vibrating Presser Bar Hinge Cap Scr.	04	--
8900	890	" " " " " " " " Washer.....	06	90
11471	851	Vibrating Presser Bar Spring.....	05	93
11472	853	" " " " " Bracket	10	94
231	901	" " " " " " " " Screw.....	03	--
19522	875	Vibrating Presser Foot.....	75	--
898D	901	" " " " " " " " Screw.....	04	--
1547	903	" " " " " " " " Nut...	03	--

ACCESSORIES.

No.	Plate	Name	Each.	Old No.
25957	895	Oiler with 4 1/2-in. spout Old No. 570, A & A.....	12	--
25958	---	Oiler Spout, 4 1/2 inches. Old No. 571, A. & A.....	04	--
26026	895	Screw Driver. Old No. 393, A. & A.	10	--
11831	895	" " 5-in. blade.....	20	--
8908	894	Wrench for 354c.....	10	351
8909	894	" " 1513 and 1518.....	15	352
8910	894	" " 1508.....	25	--

7-17 MACHINE.

DROP FEED, $\frac{1}{4}$ -INCH STITCH, No. 14 NEEDLE, FOR HEAVY THREAD
FOR OIL PRESS BAGS, ETC., SINGER DRIVING ATTACHMENT.

This Machine is Composed of the SAME PARTS as 7-16 Machine,
Excepting:

SINGER DRIVING ATTACHMENT.

No.	Plate.	Name	Each.	Old No.
11438	896	Balance Wheel with two 354c. substituting 11356	3 75	190
8878	887	Balance Wheel Pin	05	81
354c	899	" " Set Screw	06	—
8984	827	Brake Block (wood)	05	198
9D	898	" " Screw	20	—
11439	—	Friction Pulley	2 00	191
11440	896	" " 11439 with 11441	2 25	—
11441	849	" " Centre Plug	25	193
11442	896	" Washer	10	192
401E	899	" " Screw	02	—
11443	896	Lever	1 25	194
11444	896	" Bracket	85	196
497E	900	" " Bolt, $1\frac{1}{2} \times \frac{1}{2}$ -inch, with 1522	05	—
1522	903	Lever Bracket Bolt Nut	02	—
135D	899	" " Screw	05	—
8991	828	" " Washer	06	197
8992	828	" Spring	40	195
11864	—	Shaft Driving Pulley (sectional), 10-inch diam., $1\frac{1}{4}$ -inch face, with two 597c. Old No. 294, P. T. F.	75	202
597c	900	Shaft Driving Pulley Clamping Screw	08	—
2875	896	Treadle	30	—
2876	—	" Connecting Rod (lower)	05	—
2877	—	" " " (upper)	05	—
9079	895	" " " Clamp with 354c. Old No. 75, P. T. F.	12	201
354c	899	Treadle Connecting Rod Clamp Scr.	06	—
2988	895	" Connection, Nos. 2876, 2877 and 9079	22	—
2878	896	Treadle Stand	15	—
9082	890	" " Cotter Pin. Old No. 72 P. T. F.	01	—
12186	—	Treadle 2875, with 2878 and 9082	45	—
15018	—	" complete, Nos. 2988 and 12186	65	—
11436	—	Singer Driving Attachment complete, Nos. 9D, 135D, 8878, 8984, 8991, 8992, 11438, 11440, 11442, 11443, 11444, 11864, 15018, two 497E and four 401E. Old No. 156, P. T. F.	10 00	—

7-18 MACHINE.

DROP FEED, $\frac{1}{4}$ -INCH STITCH, No. 14 NEEDLE, FOR HEAVY THREAD,
FOR OIL PRESS BAGS, ETC., BELT SHIFTER.

This Machine is Composed of the SAME PARTS as 7-16 Machine
Excepting:

No.	Plate.	Name	Each.	Old No.
11878	838	Arm Shaft, substituting 11353	7 00	—

BELT SHIFTER.

No.	Plate.	Name	Each.	Old No.
11446	890	Cord Eyelet	04	106
11447	874	" Pulley	35	107
567D	898	" " Screw	15	—
5667	—	Foot Lever	15	—
5669	—	" " Bracket	10	—
6439	—	" " Chain (length 36 to 45 inches)	20	—

In ordering No. 6439 state length required.

5671	897	Foot Lever Hinge Pin	01	—
5672	895	" " Lifting Spring	03	—
5668	895	" " 5667 with 5669 and 5671	40	—
11940	896	Fork	75	—
434c	899	" Set Screw	04	—
11941	895	Frame with 8804 and two 434c	1 75	—
8804	892	" Handle	30	101
11450	828	Guide Rod	30	108
2117	890	" " Pin	01	23
11943	896	Pulley (fast) with two 354c	1 10	—
354c	899	" " Set Screw	06	—
11944	896	" (loose)	1 00	—
11459	897	" " Collar with two 448c	25	98
448c	900	" " " Set Screw	03	—
11451	828	Slide Rod	75	102
11453	887	" " Collar with two 448c	25	103
448c	900	" " " Set Screw	03	—
2117	890	" " Pin	01	23
11942	828	" " Spring	15	—
11453	887	" " " Collar with two 448c	25	103
448c	900	" " " " Set Screw	03	—
11945	—	Belt Shifter complete, Nos. 567D, 5668, 5672, 6439, 11446, 11447, 11450, 11451, 11459, 11940 to 11944, two each 2117 and 11453	7 50	—

BOBBIN WINDER (HAND) FOR MACHINE BED.

No.	Plate	Name	Each	Old No.
11755	—	Belt.....	05	—
11756	—	" 11755 with 25028 Old No. 101, No. 11 Machine.....	05	—
25028	889	Belt Hook.....	01	371
135D	899	Bobbin Winder Screw.....	05	—
11758	858	Frame. Old No. 101, No. 11 Mach..	50	—
11759	858	Pulley. " " 103, " " " ..	25	—
11760	892	" Driving Wheel.....	50	366
8380	893	" " " Handle.....	03	—
11762	893	" " " Stud.....	10	—
8382	887	" " " Washer.....	01	—
11761	—	Pulley Driving Wheel Handle complete, Nos. 8380, 8382 and 11762...	10	369
11763	887	Pulley Driving Wheel Stud.....	10	367
2260	889	" " " " Pin.....	01	153
11764	888	" " " " Washer.....	01	368
11765	858	Spindle. Old No. 102, No. 11 Mach.	40	—
11764	855	Bobbin Winder complete, Nos. 2269, 11756, 11758, 11759, 11760, 11761, 11763, 11764 and 11765. Old No. 100, No. 11 Machine.....	2 00	—

Numerical List of Parts.

No.	Plate	Name	Each.	Old No.
8D	898	Lifting Presser Bar Bell Crank Hinge Screw.....	20	—
9D	898	Brake Block Screw for 11436.....	20	—
16D	899	Presser Bar Lifter Hinge Screw.....	20	—
32D	901	Shuttle Race Back Spring Screw....	15	—
65D	899	Arm Side Cover Screw.....	15	—
135D	899	Lever Bracket Screw for 11436.....	05	—
135D	899	Oil Cup Screw.....	05	—
135D	899	Shuttle Race Screw.....	05	—
135D	899	Bobbin Winder Screw for 11754.....	05	—
145E	899	Crank Connecting Rod Cap Screw....	04	—
150	899	Lifting Presser Bar Guide Bracket Adjusting Screw.....	03	—
164D	899	Vibrating Presser Bar Hinge Cap Screw.....	04	—
166D	899	Feed Dog Screw.....	07	—
180	901	Shuttle Race Slide (back) Screw....	03	—
190	899	Oscillating Shaft Crank Roller Cap Screw.....	03	—
190	899	Tension Bracket Screw.....	03	—
190	899	Thread Take-up Spring Regulator Plate Adjusting Screw.....	03	—
190	899	Vibrating Presser Bar Guide Bracket Cap Screw.....	03	—
207	901	Oil Cup Cover Latch Spring Screw..	02	—
207	901	" or Wax Stripper Washer Screw..	02	—
219	901	Throat Plate Needle Plate Screw....	02	—
231	901	Vibrating Presser Bar Spring Bracket Screw.....	03	—
245	899	Needle Clamp Set Screw.....	03	—
252D	898	Pressure Regulating Thumb Screw..	40	—
254D	902	Feed Regulator Thumb Screw.....	40	—
254D	902	Guide Screw.....	40	—
258D	899	Needle Bar Screw Bushing.....	20	—
258D	899	Presser " " "	20	—
307G	898	Feed Bar Screw Centre.....	06	—
353C	899	Lifting Presser Bar Spring Bracket Set Screw.....	12	—
353C	899	Presser Bar Lifting Link Cap Screw.	12	—
354C	899	Balance Wheel Set Screw for 11356 and 11438.....	06	—
354C	899	Belt Shifter Pulley (fast) Set Screw..	06	—
354C	899	Treadle Connecting Rod Clamp Ser for 9079.....	06	—
372C	898	Lifting Presser Bar Bell Crank Roller Screw.....	12	—
381D	899	Lifting Presser Bar Guide Bracket Guide Screw.....	06	—

No.	Plate	Name	Each.	Old No.
381D	899	Throat Plate Screw	06	--
401E	899	Friction Washer Screw for 11436....	02	--
411	898	Tension Screw Stud	25	--
434c	899	Belt Shifter Fork Set Screw for 11945	04	--
434c	899	Thread Take-up Cam Set Screw.....	04	--
437c	899	Arm Shaft Bushing Set Screw	04	--
445c	900	Feed Cam Set Screw	03	--
445c	900	Needle Bar Connecting Stud Set Ser.	03	--
448c	900	Belt Shifter Pulley (loose) Collar Set Screw.....	03	--
448c	900	Belt Shifter Slide Rod Collar Set Ser	03	--
448c	900	" " " " Spring Collar Set Screw.....	03	--
448c	900	Vibrating Presser Bar Guide Bracket Set Screw.....	03	--
453c	899	Feed Lifting Rock Shaft Crank Set Screw.....	02	--
453c	899	Feed Rock Shaft Crank Set Screw ..	02	--
453c	899	Lifting Presser Bar Guide Bracket Set Screw.....	02	--
453c	899	Oscillating Shaft Collar Set Screw....	02	--
453c	899	" " Crank Set Screw....	02	--
453c	899	Presser Bar Spring Collar Set Screw.	02	--
453c	899	Shuttle Driver Set Screw.....	02	--
497E	900	Lever Bracket Bolt. $1\frac{1}{2} \times \frac{1}{2}$ -in., with 1522, for 11436.....	05	--
507E	898	Bed Foot Bracket Bolt with 1515 ...	02	--
564c	898	Feed Lifting Shaft Rock Ser Centre.	12	--
564c	898	Feed Rock Shaft Screw Centre.....	12	--
565c	898	Crank Connecting Rod Hinge Screw.	15	--
565c	898	Feed Connecting Link " " "	15	--
565c	898	" Forked Connection " " "	15	--
566c	898	Needle Bar Connecting Link Hinge Screw	15	--
567D	898	Belt Shifter Cord Pulley Ser. for 11945	15	--
567D	898	Thread Take-up Lever Hinge Screw.	15	--
568E	898	Feed Regulator Hinge Screw	15	--
590E	901	Shuttle Cylinder Latch Spring Screw	02	--
597c	900	Shaft Driving Pulley Clamping Screw for 11884.....	08	--
622c	899	Oscillating Rock Shaft Hinge Pin Screw Bearing.....	15	--
670E	863	Bed Front Bearing Clamping Screw	06	--
686D	902	Thread Retainer Screw Stud.....	25	--
773c	901	Shuttle Tension Regulating Screw....	05	--
872E	900	Arm Screw	10	--
898D	901	Vibrating Presser Foot Screw.....	04	--
1508	890	Feed Lifting Rock Shaft Ser. Centre Nut.....	06	--
1508	890	Feed Rock Shaft Screw Centre Nut.	06	--

No.	Plate	Name	Each.	Old No.
1508	890	Oscillating Rock Shaft Hinge Pin Nut	06	--
1508	890	" " " " " Ser. Bearing Nut.....	06	--
1513	890	Crank Connecting Rod Hinge Ser. Nut	05	--
1513	890	Feed Bar Screw Centre Nut.....	05	--
1513	890	" Connecting Link Hinge Ser. Nut	05	--
1513	890	" Forked Connection Hinge Screw Nut.....	05	--
1513	890	Needle Bar Connecting Link Hinge Screw Nut.	05	--
1513	890	Oscillating Shaft Crank Roller and Screw Stud Nut	05	--
1515	890	Bed Foot Bracket Bolt Nut.....	01	--
1518	890	Lifting Presser Bar Bell Crank Roller Screw Nut	04	--
1518	890	Thread Take-up Lever Roller and Screw Stud Nut.....	04	--
1522	903	Lever Bracket Bolt Nut for 497E....	02	--
1547	903	Vibrating Presser Foot Screw Nut ..	03	--
1560	903	Tension Regulating Thumb Nut.	04	--
1560	903	Thread Retainer Regulating Thumb Nut	04	--
1828	890	Lifting Presser Bar Bell Crank Roller and Screw 372c	25	--
1845	899	Thread Take-up Lever Roller and Screw Stud.....	30	--
1861	862	Feed Lifting Rock Shaft Crank Roller and Stud	35	--
1885	900	Oscillating Shaft Crank Roller and Screw Stud.....	40	--
2102	888	Thread Retainer Disc.....	05	84
2103	888	" " Spring	03	85
2117	890	Belt Shifter Guide Rod Pin for 11945	01	23
2117	890	" " Slide " " " "	01	23
2117	890	Feed Lifting Rock Shaft Crank Pin.	01	23
2117	890	" Rock Shaft Crank Pin	01	23
2117	890	Oscillating Shaft Crank Pin.....	01	23
2117	890	Shuttle Driver Pin.....	01	23
2205	887	Oil Cup Cover Latch Spring.....	04	296
2269	889	Bobbin Winder Pulley Driving Wheel Stud Pin for 11754.....	01	153
2718	897	Lifting Presser Bar Bell Crank Roller Screw Nut Washer.....	01	309
2875	896	Treadle for 12186.	30	--
2876	--	" Connecting Rod (lower) for 2988.....	05	--
2877	--	Treadle Connecting Rod (upper) for 2988	05	--
2878	896	Treadle Stand for 12186.....	15	--
2988	895	" Connection, Nos. 2876, 2877 and 9079, for 15018.....	22	--

No.	Plate.	Name	Each	Old No.
3012	853	Vibrating Presser Bar Guide Bracket Pin.....	01	--
5480	887	Oil or Wax Stripper Washer (steel), for 11497.....	01	--
5667	---	Belt Shifter Foot Lever for 5668.....	15	--
5668	895	" " " " 5667 with 5669 and 5671, for 11945.....	40	--
5669	---	Belt Shifter Foot Lever Bracket for 5668.....	10	--
5671	897	Belt Shifter Foot Lever Hinge Pin for 5668.....	01	--
5672	895	Belt Shifter Foot Lever Lifting Spring for 11945.....	03	--
5068	887	Oscillating Shaft Crank Roller Cap Screw Washer.....	02	--
6430	---	Belt Shifter Foot Lever Chain (length 36 to 45 inches) for 11945.....	20	--
7058	890	Presser Bar Lifting Link Hinge Stud Pin.....	01	153
8380	893	Bobbin Winder Pulley Driving Wheel Handle for 11761.....	03	--
8382	887	Bobbin Winder Pulley Driving Wheel Handle Stud Washer for 11761.....	01	--
8702	887	Arm Dowel Pin.....	15	3
8708	827	" Spool Pin.....	05	72
8760	888	Presser Bar Lifter Friction Washer..	03	56
8761	890	" " " Stop Pin.....	05	55
8763	890	" " " Lifting Link Hinge Stud	25	152
8765	890	" " " " " Washer.....	04	154
8800	890	Vibrating Presser Bar Hinge Cap Screw Washer.....	06	90
8804	892	Belt Shifter Frame Handle for 11941.....	30	101
8873	887	Thread Take-up Cam Pin.....	05	81
8873	887	Balance Wheel Pin for 11436.....	05	81
8879	887	Tension Friction Washer (felt). Old No. 171, No. 5 Machine.....	01	--
8905	887	Tension Regulating Thumb Nut Washer.....	01	361
8905	887	Thread Retainer Regulating Thumb Nut Washer.....	01	361
8908	894	Wrench for 354c.....	10	351
8909	894	" " 1513 and 1518.....	15	352
8910	894	" " 1508.....	25	--
8953	---	Oil or Wax Stripper (felt).	03	297
8961	833	Shuttle Cylinder Hinge Pin.....	02	63
8964	833	" Tension Spring.....	40	360
8984	827	Brake Block (wood) for 11436.....	05	198
8991	828	Lever Bracket Washer for 11436.....	06	197
8992	828	" Spring for 11436.....	40	195

No.	Plate	Name	Each.	Old No.
9079	895	Treadle Connecting Rod Clamp with 354c for 2988. Old No. 75, P. T. F.	12	201
9082	890	Treadle Stand Cotter Pin for 12186. Old No. 72, P. T. F.....	01	--
9084	889	Oil Cup Cover Hinge Pin.....	02	--
11041	---	Thread Retainer complete, Nos. 686d, 1560, 2103, 8905 and two 2102.....	45	--
11044	897	Tension Wheel.....	75	--
11052	887	Thread Take-up Spring.....	08	--
11165	897	Oscillating Rock Shaft Oil Pad.....	01	--
11353	825	Arm Shaft.....	7	4
11354	890	" " Bushing.....	75	5
11356	896	Balance Wheel with two 354c.....	1	75
*11359	---	Bed.....	18	50
11360	894	" Foot Bracket (right).....	10	--
11361	894	" " " (left).....	10	--
11363	825	Crank Connecting Rod.....	1	25
*11364	---	" " " Cap.....	---	---
11365	828	Feed Bar.....	1	50
11367	830	" Cam with two 445c.....	1	00
11368	830	" Connecting Link.....	35	16
11370	825	" Forked Connection.....	1	75
11371	825	" Lifting Rock Shaft.....	1	40
11372	---	" " " " 11371 with 11374.....	2	35
11374	830	Feed Lifting Rock Shaft Crank with 453c and 1861.....	95	--
11375	830	Feed Regulator.....	60	208
11376	825	" Rock Shaft.....	1	40
11377	---	" " " 11376 with 11379.....	2	00
11379	803	" " " Crank with 453c.....	60	22
11381	830	Needle Bar Connecting Link.....	80	238
11383	887	" " " Stud with two 445c.....	1	25
11385	890	Needle Clamp Gib.....	15	40
11393	887	Oscillating Shaft Collar with two 453c	10	354
11398	827	" Rock Shaft Hinge Pin....	75	256
11402	828	Lifting Presser Bar.....	1	00
11405	830	" " " Guide Bracket Guide.....	50	53
11409	827	Presser Bar Spring.....	15	50
11411	887	" " " Collar with 453c..	10	--
11418	828	Shuttle Race Slide (front).....	35	318
11420	---	Tension (wheel) complete, Nos. 411, 1560, 8905, 11044, 11422, 11423 and two 8879.....	1	20
11421	887	Tension Bracket.....	50	76
11422	888	" Spring.....	10	74
11423	888	" Friction Washer (steel)....	03	75
11428	827	Thread Take-up Cam (steel) with 434c	5	00
11431	888	" " Spring Regulator Plate.....	10	83

No.	Plate	Name	Each.	Old No.
11436	—	Singer Driving Attachment complete, Nos. 9D, 135D, 8873, 8984, 8991, 8992, 11438, 11440, 11442, 11443, 11444, 11864, 15018, two 497E and four 401E. Old No 156, P. T. F.	10 00	—
11438	896	Balance Wheel with two 354c, for 11436.....	3 75	190
11439	—	Friction Pulley for 11440.....	2 00	191
11440	896	" " " 11439 with 11441 for 11436.....	2 25	—
11441	849	Friction Pulley Centre Plug for 11440.....	25	193
11442	896	" " Washer for 11436.....	10	192
11443	896	Lever for 11436.....	1 25	194
11444	896	" Bracket for 11436.....	85	196
11446	890	Belt Shifter Cord Eyelet for 11945.....	04	106
11447	874	" " " Pulley " ".....	35	107
11450	828	" " Guide Rod " ".....	30	108
11451	828	" " Slide " " ".....	75	102
11453	887	" " " " Collar with two 448c, for 11945.....	25	103
11453	887	Belt Shifter Slide Rod Spring Collar with two 448c, for 11945.....	25	103
11459	897	Belt Shifter Pulley (loose) Collar with two 448c, for 11945.....	25	98
11461	851	Lifting Presser Bar Bell Crank.....	1 25	58
11463	851	" " " Guide Bracket with 159 and 453c.....	2 00	—
11465	853	Lifting Presser Bar Spring Bracket with 353c.....	1 00	51
11466	853	Lifting Presser Bar Spring Bracket Set Screw Washer.....	10	—
11468	851	Vibrating Presser Bar Guide Bracket.....	1 30	—
11469	—	" " " " ".....	—	—
11470	851	Vibrating Presser Bar Guide Bracket 11468 with 11470 and two 190.....	1 50	91
11470	851	Vibrating Presser Bar Guide Bracket Cap.....	20	92
11471	851	Vibrating Presser Bar Spring.....	05	93
11472	853	" " " " Bracket.....	10	94
11497	—	Oil Cup.....	80	—
11500	851	Shuttle Race Slide (back).....	50	—
11726	848	Needle Bar.....	1 00	—
11727	—	Shuttle Driver with 453c.....	1 25	—
11729	—	Thread Take-up Lever.....	2 00	—
11730	848	" " " 11729 with 1518, 1845, 11731 to 11733 and 11735.....	2 75	—
11731	875	Thread Take-up Lever Roller.....	25	—
11732	875	" " " " Pin.....	03	—
11733	—	" " " " Plate (right).....	10	—
11734	875	Thread Take-up Lever Roller Plate (left) obsolete.....	10	—

No.	Plate	Name	Each.	Old No.
11735	—	Thread Take-up Lever Roller Plate Rivet.....	01	—
11736	—	Throat Plate Body for 11737.....	75	—
11737	875	" " " 11736 with 219 and 11738 or 11891.....	1 00	—
11738	875	Throat Plate Needle Plate (large oblong needle hole).....	25	—
11754	855	Bobbin Winder (Hand, for Machine Bed) complete, Nos. 2269, 11756, 11758, 11759, 11760, 11761, 11763, 11764 and 11765. Old No. 100, No. 11 Machine.....	2 00	—
11755	—	Bobbin Winder Belt for 11756.....	05	—
11756	—	" " " 11755 with 25028, for 11754. Old No. 104, No. 11 Machine.....	05	—
11758	858	Bobbin Winder Frame for 11754. Old No. 101, No. 11 Machine.....	50	—
11759	858	Bobbin Winder Pulley for 11754. Old No. 103, No. 11 Machine.....	25	—
11760	892	Bobbin Winder Pulley Driving Wheel for 11754.....	50	366
11761	859	Bobbin Winder Pulley Driving Wheel Handle complete, Nos. 8380, 8382 and 11762.....	10	369
11762	893	Bobbin Winder Pulley Driving Wheel Handle Stud for 11761.....	10	—
11763	887	Bobbin Winder Pulley Driving Wheel Stud for 11754.....	10	367
11764	888	Bobbin Winder Pulley Driving Wheel Stud Washer for 11754.....	01	368
11765	858	Bobbin Winder Spindle for 11754. Old No. 102, No. 11 Machine.....	40	—
11831	895	Screw Driver, 5-in. blade.....	20	—
11832	830	Shuttle Race Back.....	1 00	—
11833	889	" " " Dowel Pin.....	01	—
11834	830	" " " Spring.....	25	—
11835	—	" " " Body.....	2 75	—
11836	825	" " " complete, Nos. 32D, 11832, 11834, 11835 and two 11833.....	4 00	—
11837	825	Shuttle Race Frame with 11838.....	2 00	—
11838	889	" " " Position Pin.....	03	—
11841	827	Oscillating Rock Shaft (steel).....	1 75	—
11842	—	" " " 11841 with 622c, 11165, 11398 and two 1508.....	2 75	—
11847	888	Needle Clamp with 245 and 11885.....	75	—
11848	—	Oscillating Shaft Crank.....	30	—
11849	830	" " " 11848 with 453c, 1513 and 1885.....	75	—
11850	825	Oscillating Shaft.....	1 25	—

No.	Plate	Name	Each.	Old No.
11851	833	Shuttle (cylinder), 3-in. diam., with 11910	6 00	—
11852	833	Shuttle Cylinder.....	2 50	—
11853	833	" " Latch.....	15	—
11854	833	" " " Spring.....	03	—
11855	833	" Frame	2 75	—
11864	—	Shaft Driving Pulley (sectional), 10- inch diam., 1½-inch face, with two 597c for 11436. Old No. 294, P. T. F.	75	202
11878	838	Arm Shaft for No. 7-18 Machine.....	7 00	—
11884	875	Feed Dog.....	75	—
11891	875	Throat Plate Needle Plate (small ob- long needle hole).....	25	—
11906	827	Presser Bar Lifting Link	50	—
11908	—	" " Lifter.....	1 00	—
11909	830	" " " 11908 with 8761 and 8763.	1 25	—
11910	833	Shuttle Bobbin (solid and hardened).	25	—
11913	825	Arm Side Cover.....	25	—
11917	—	Oil Cup Cover.....	25	—
11918	888	" or Wax Stripper Washer (steel) for 11917.....	03	—
11919	888	Oil Cup Thread Eyelet.....	05	—
11921	825	" " complete, Nos. 2205, 5480, 9084, 11497, 11917, 11918, 11919, two 8953 and three 207.....	1 25	—
11940	896	Belt Shifter Fork for 11945.....	75	—
11941	896	" " Frame with 8804 and two 434c, for 11945.....	1 75	—
11942	828	Belt Shifter Slide Rod Spring for 11945	15	—
11943	896	" " Pulley (fast) with two 354c for 11945.....	1 10	—
11944	896	Belt Shifter Pulley (loose) for 11945.	1 00	—
11945	—	" " complete, Nos. 567D, 5668, 5672, 6439, 11446, 11447, 11450, 11451, 11459, 11940 to 11944, two each 2117 and 11453.....	7 50	—
11949	839	Vibrating Presser Bar.....	1 00	—
11950	888	Thread Eyelet for 11041.....	05	—
12002	833	Shuttle Cylinder Latch Pin.....	01	—
12186	—	Treadle 2875 with 2878 and 9082 for 15018.....	45	—
15018	—	Treadle complete, Nos. 2988 and 12186, for 11436.....	65	—
* 19501	—	Arm.....	18 50	—
19522	875	Vibrating Presser Foot	75	—
25028	889	Bobbin Winder Belt Hook.....	01	371
25881	894	Guide	40	34

No.	Plate	Name	Each.	Old No.
25957	895	Oiler with 4½-in. spout. Old No. 570, A. & A.....	12	—
25958	—	Oiler Spout, 4½ inches. Old No. 571, A. & A.....	04	—
26026	895	Screw Driver. Old No. 393, A. & A.	10	—

THE SINGER MANUFACTURING COMPANY use and recommend
exclusively the WILLIMANTIC SPOOL COTTON.

PLATE 825—ONE-FOURTH SIZE

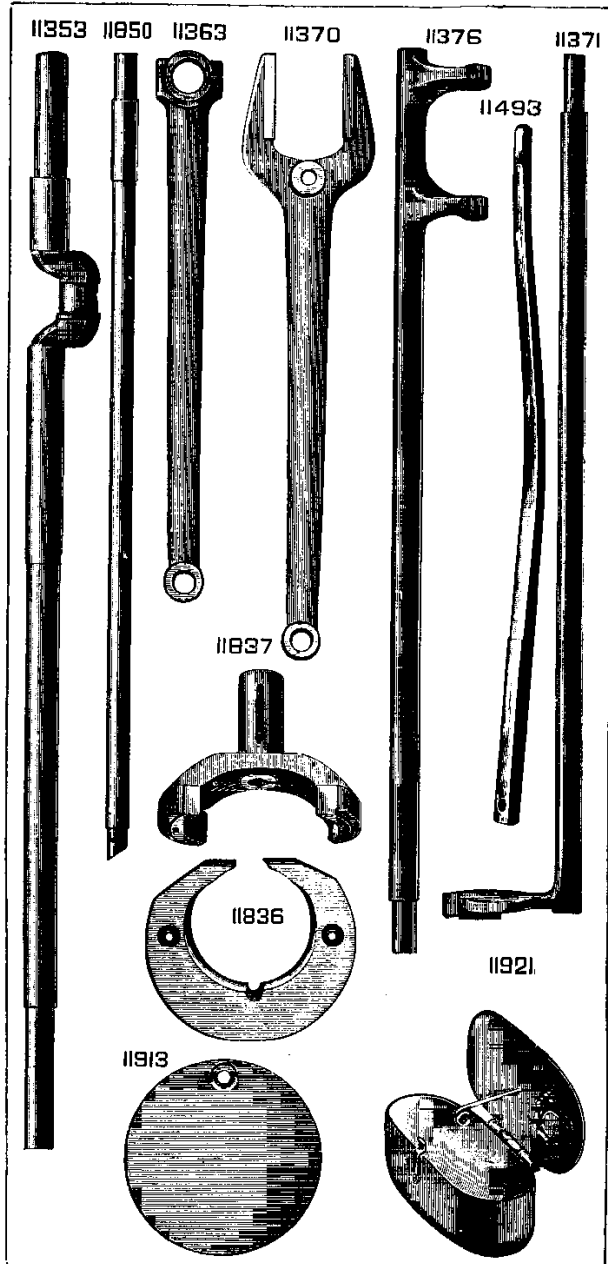


PLATE 827—ONE-HALF SIZE

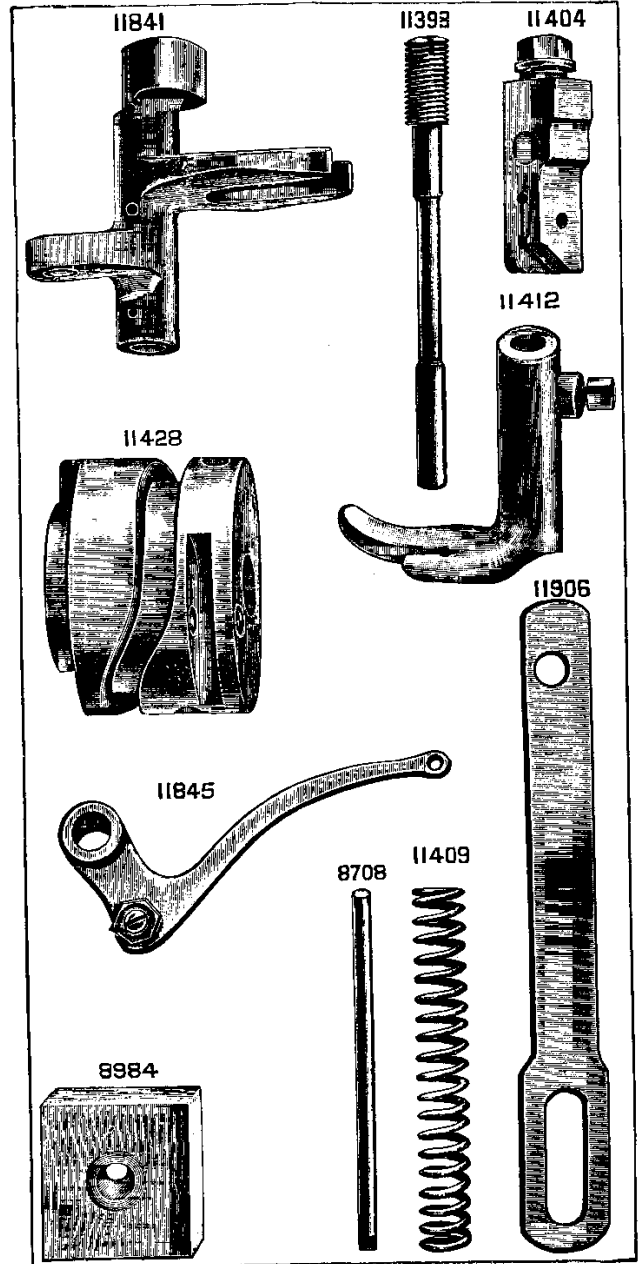


PLATE 828—ONE-HALF SIZE

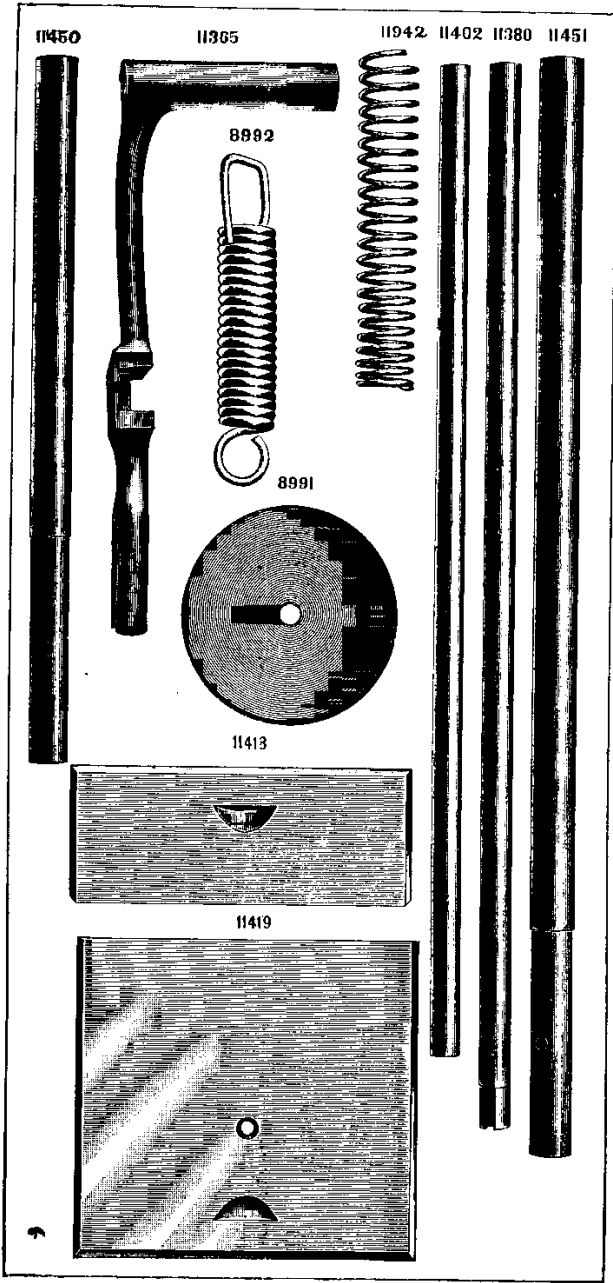


PLATE 830—ONE-HALF SIZE

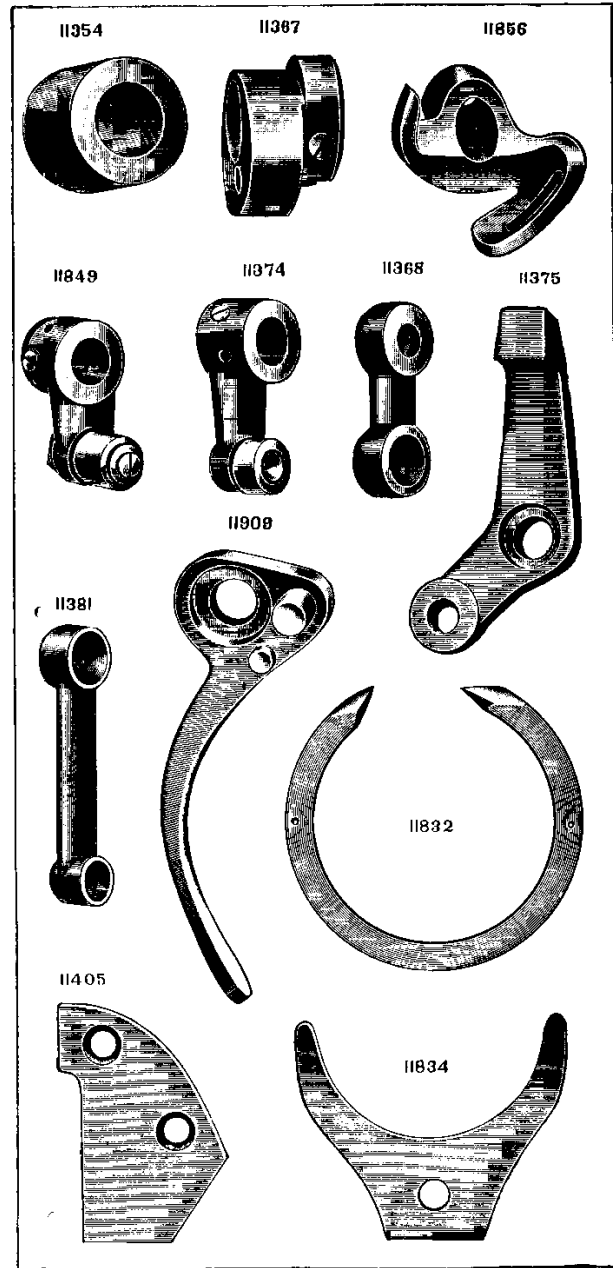


PLATE 833—FULL SIZE

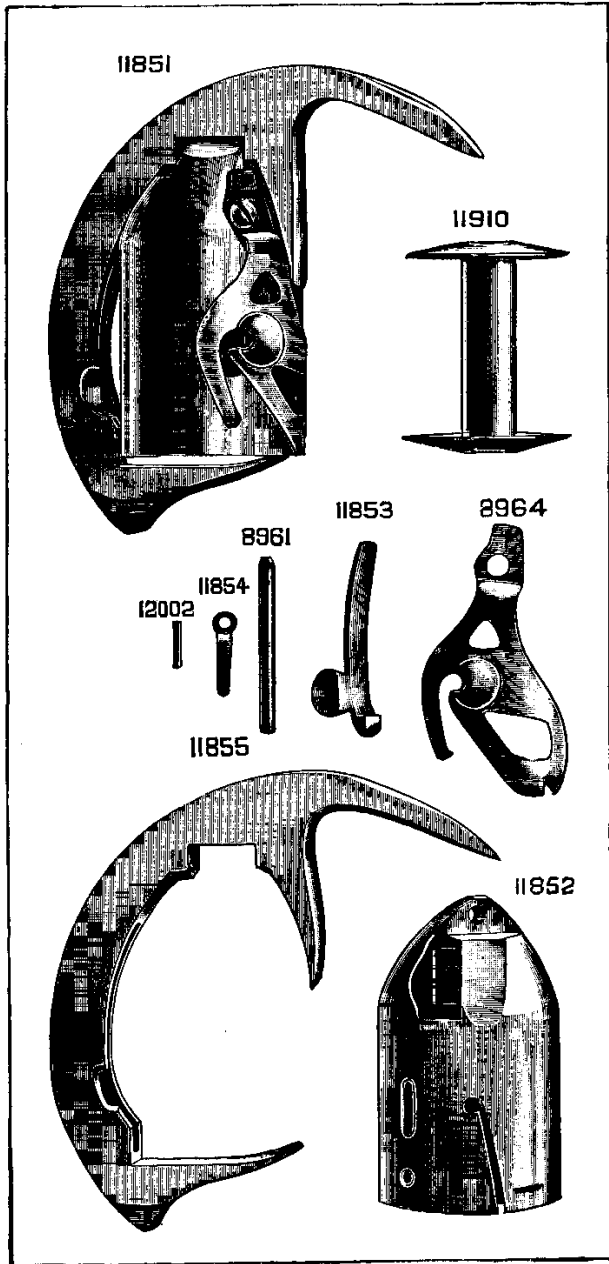


PLATE 838—ONE-FOURTH SIZE

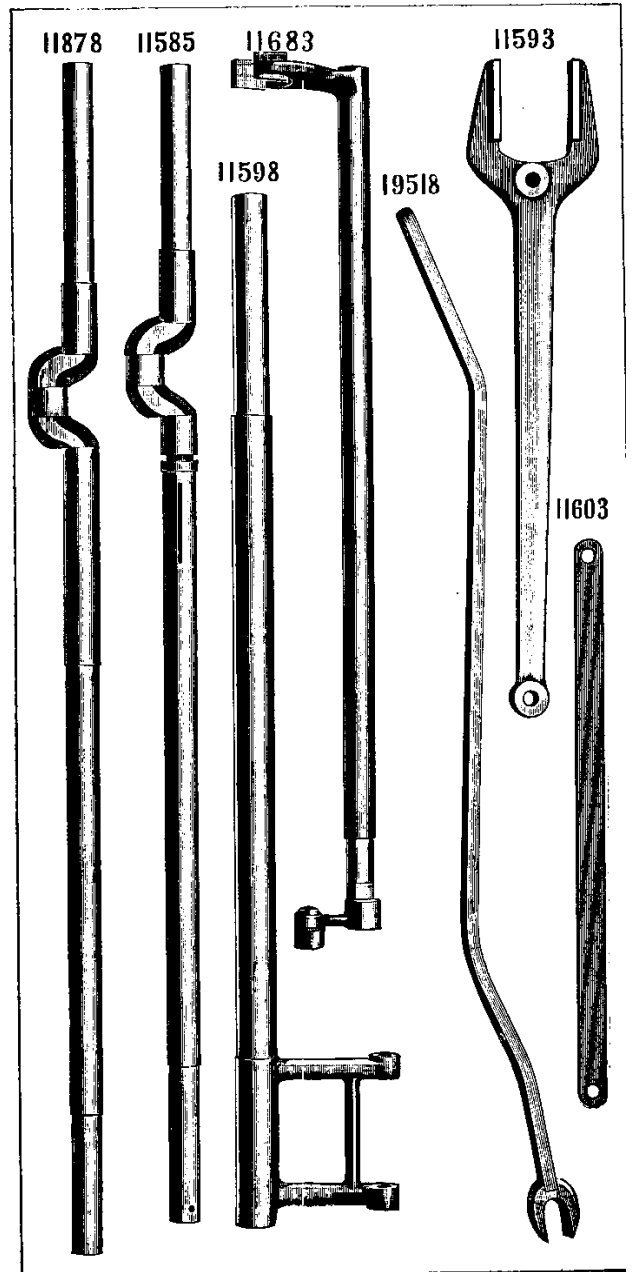


PLATE 839—ONE-HALF SIZE

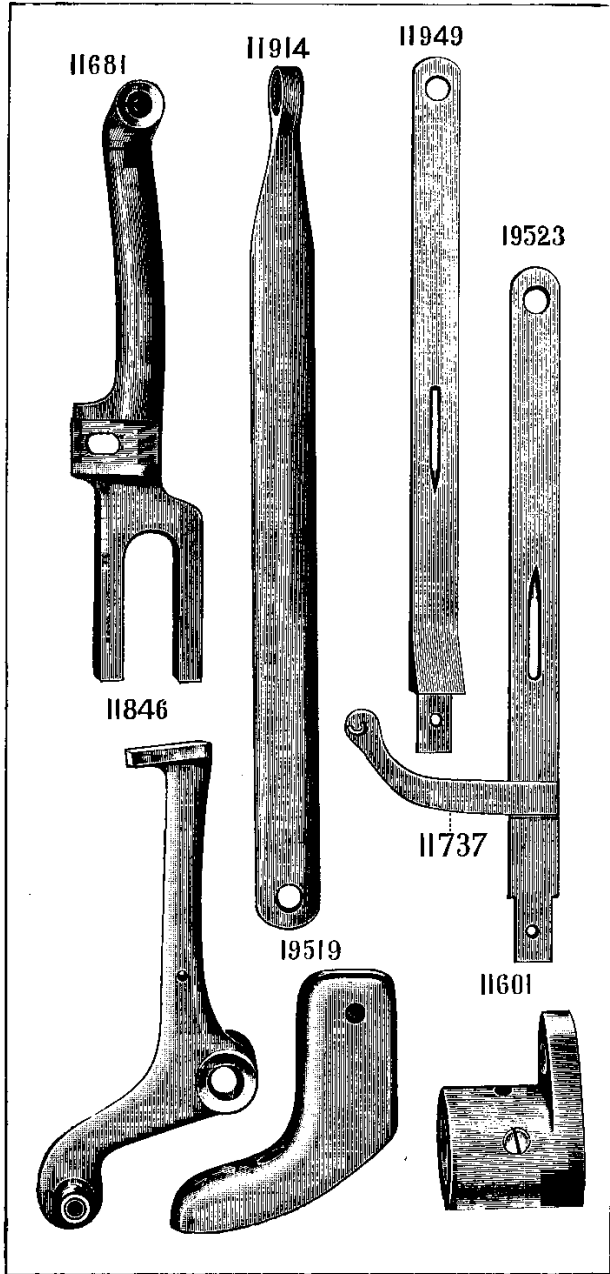


PLATE 848—ONE-HALF SIZE

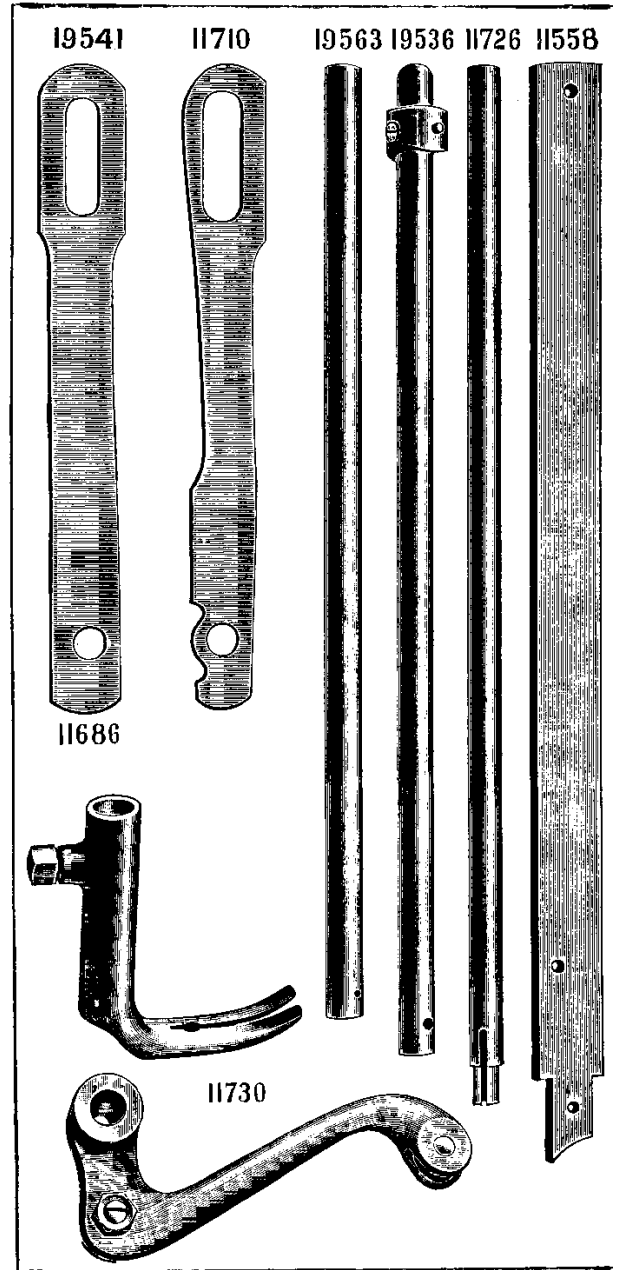


PLATE 849—FULL SIZE

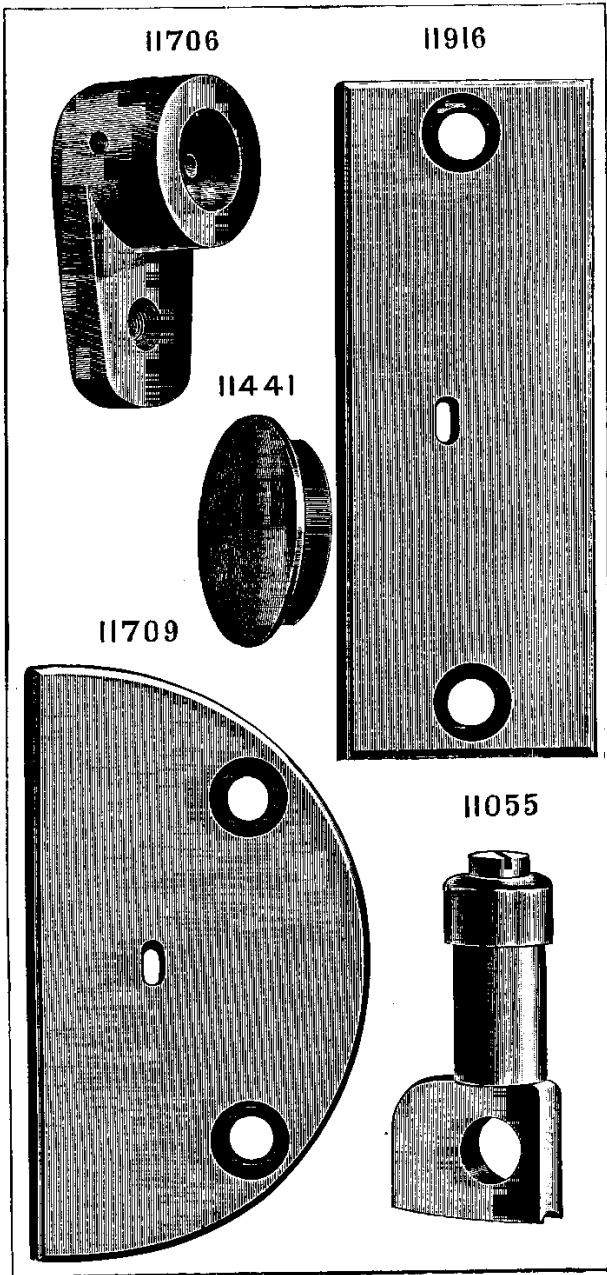


PLATE 851—ONE-HALF SIZE

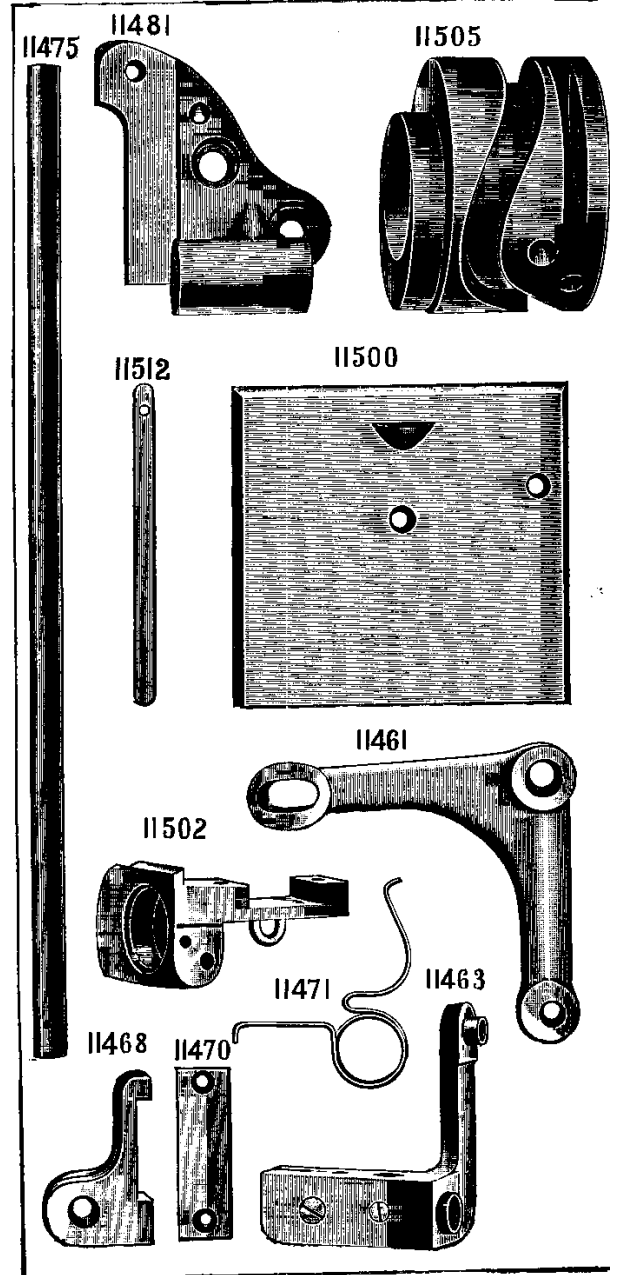


PLATE 853—FULL SIZE

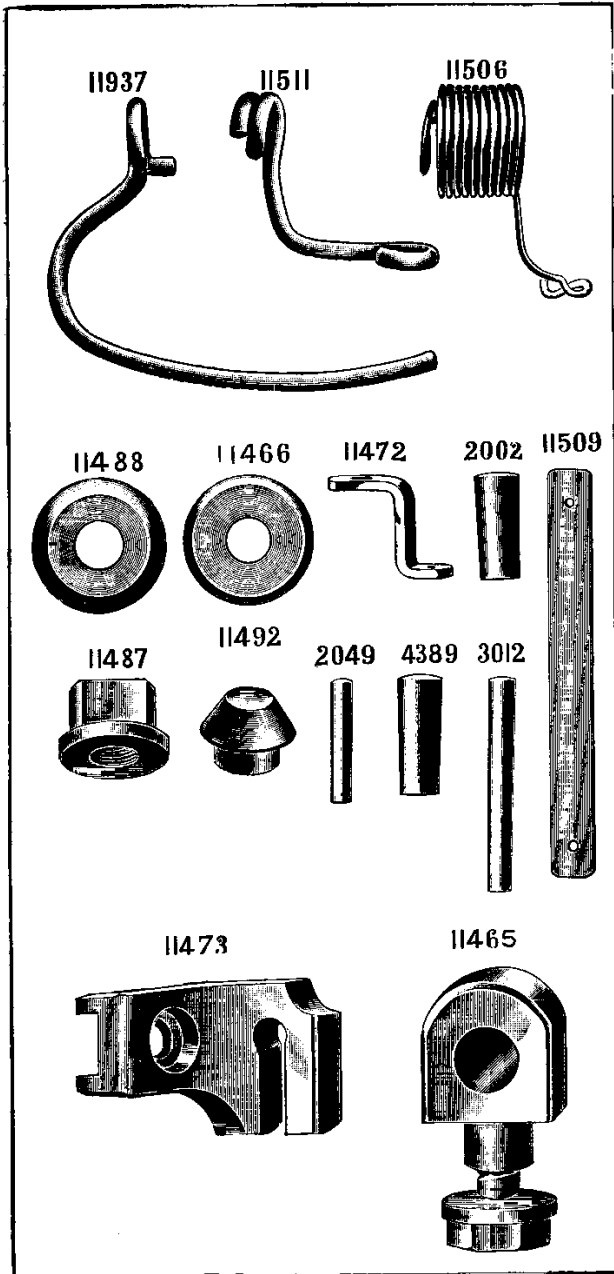


PLATE 855—ONE-FOURTH SIZE

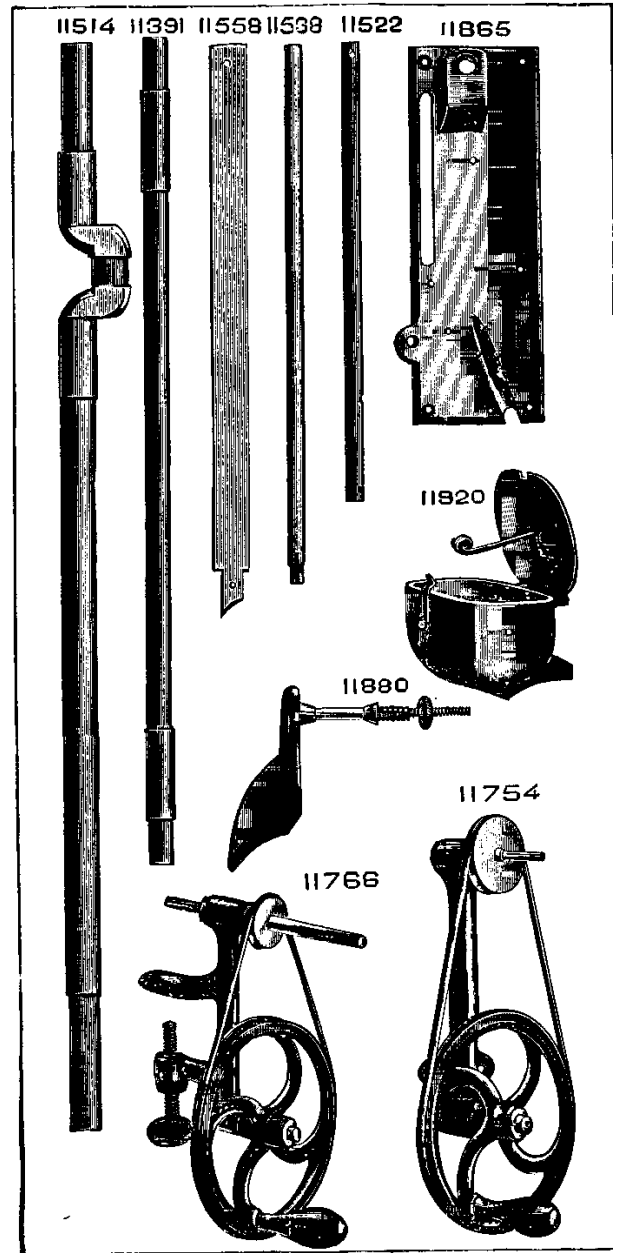


PLATE 858—ONE-HALF SIZE

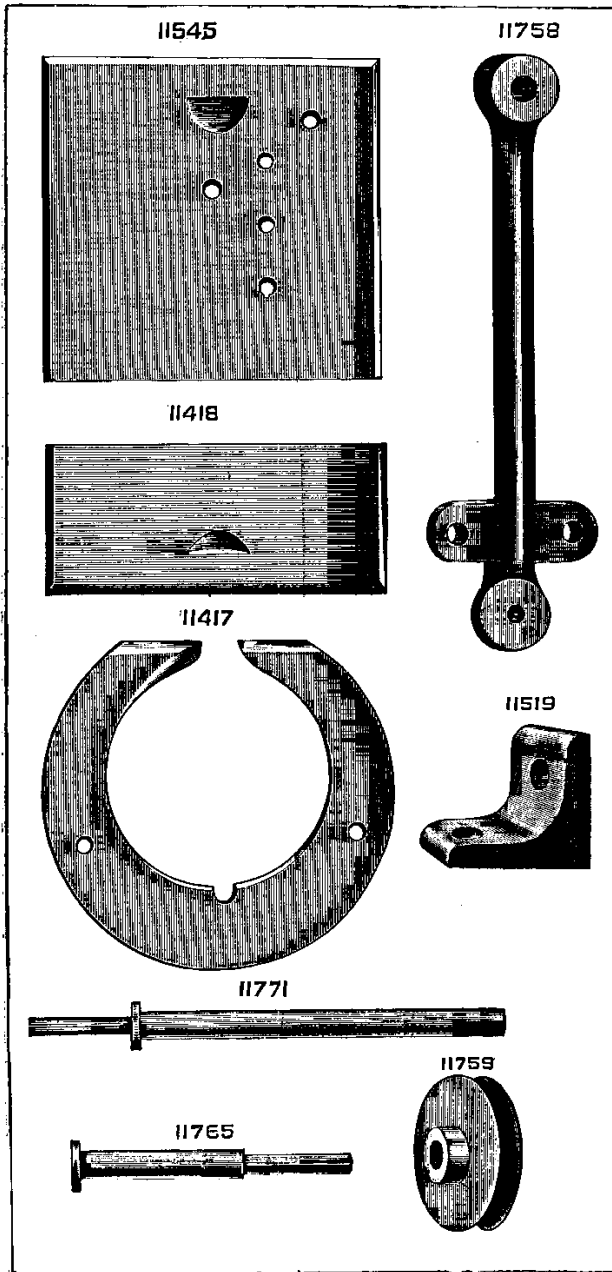


PLATE 859—ONE-HALF SIZE

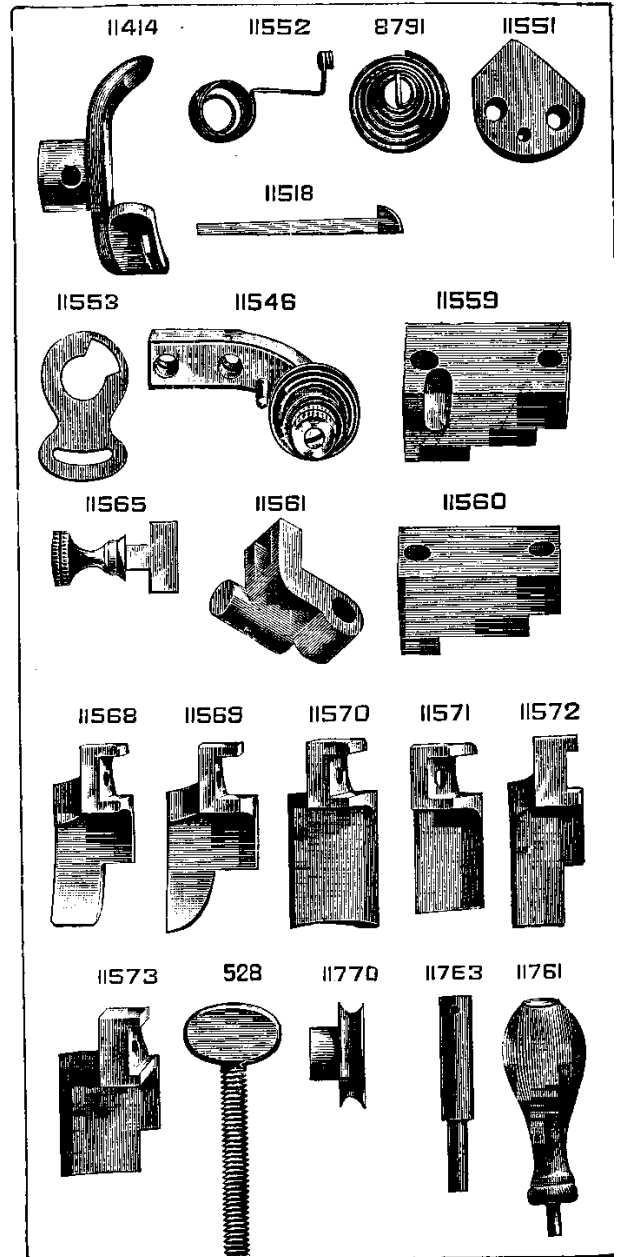


PLATE 862—FULL SIZE

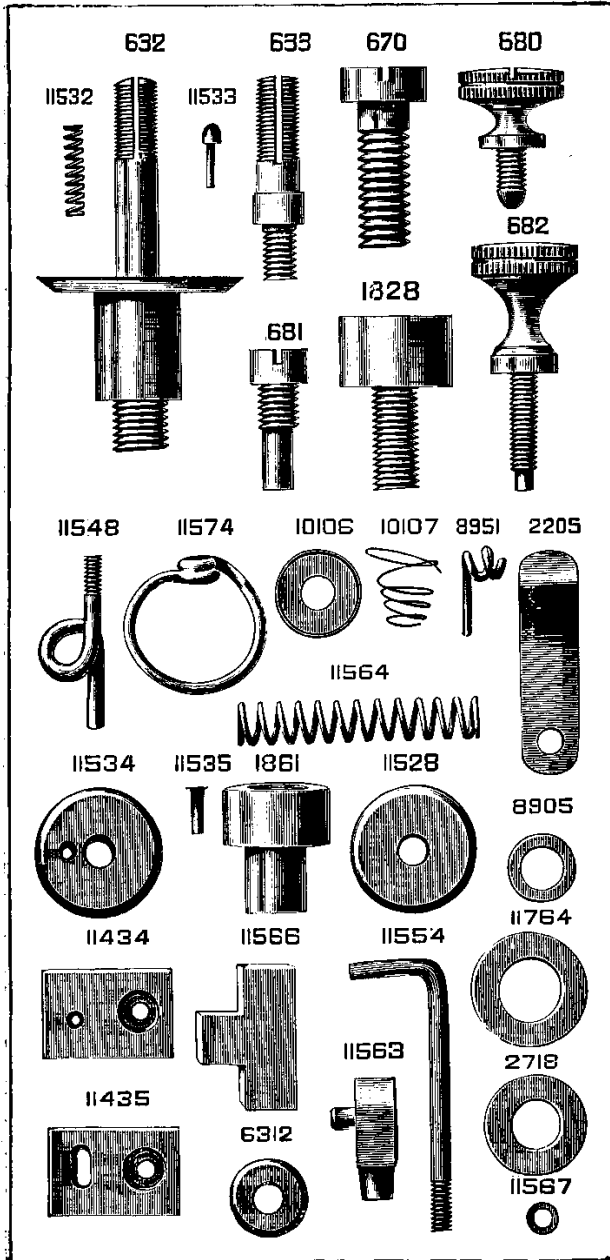


PLATE 874—FULL SIZE

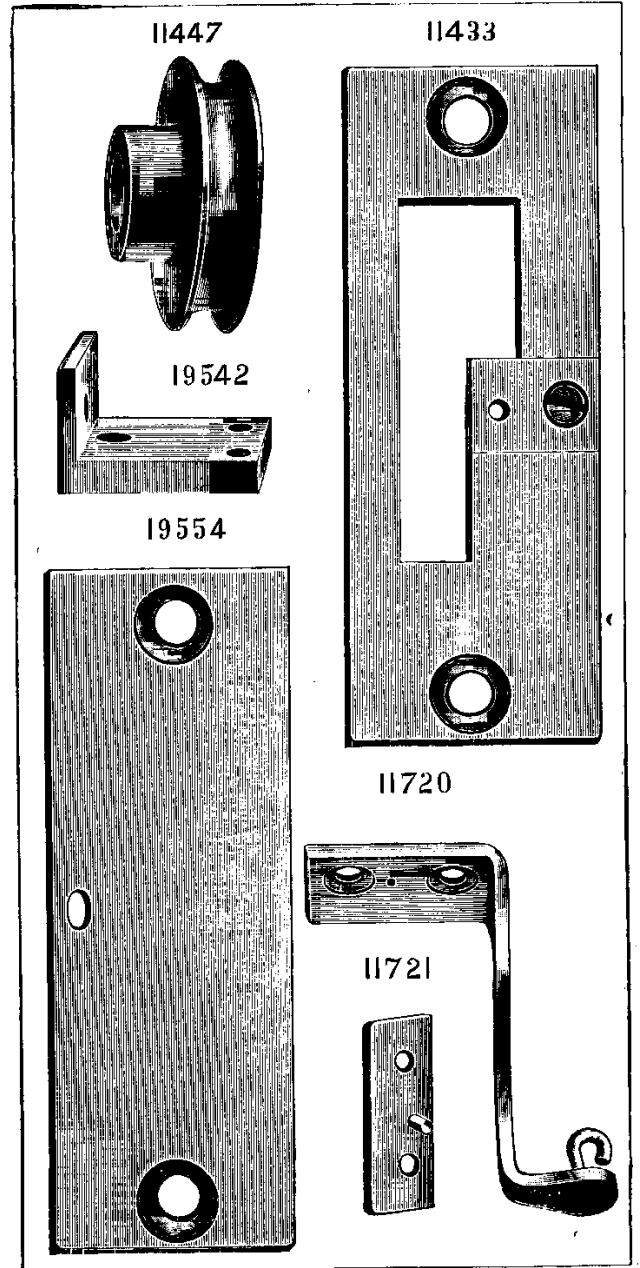


PLATE 875—FULL SIZE

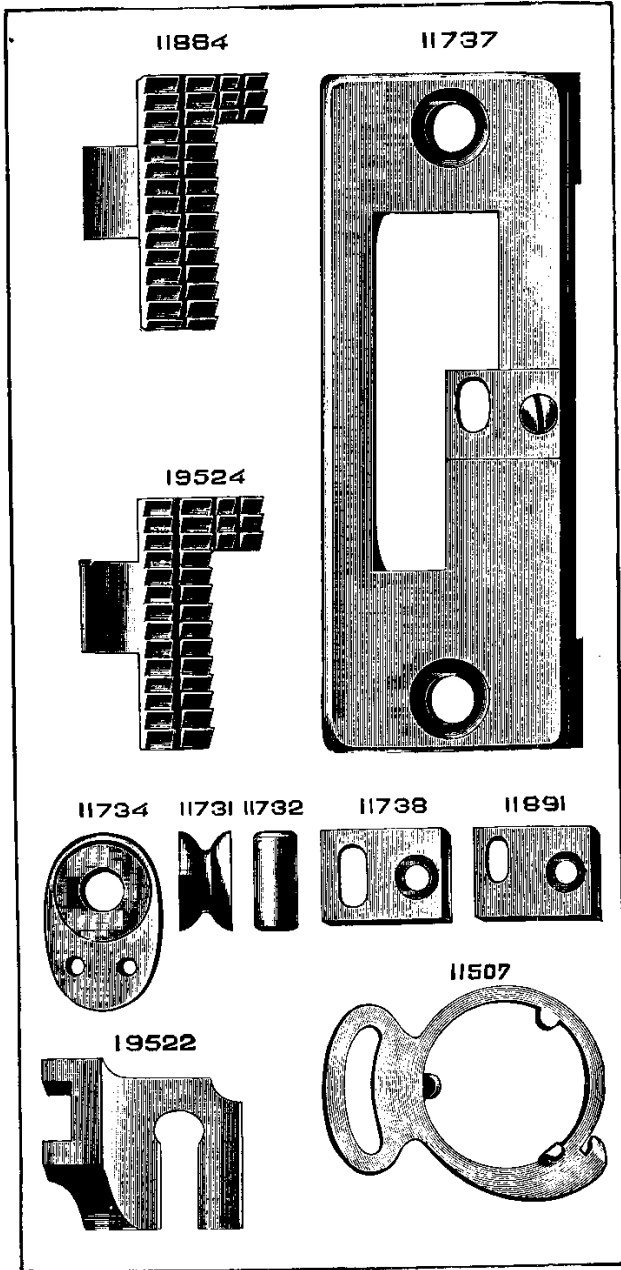


PLATE 887—FULL SIZE

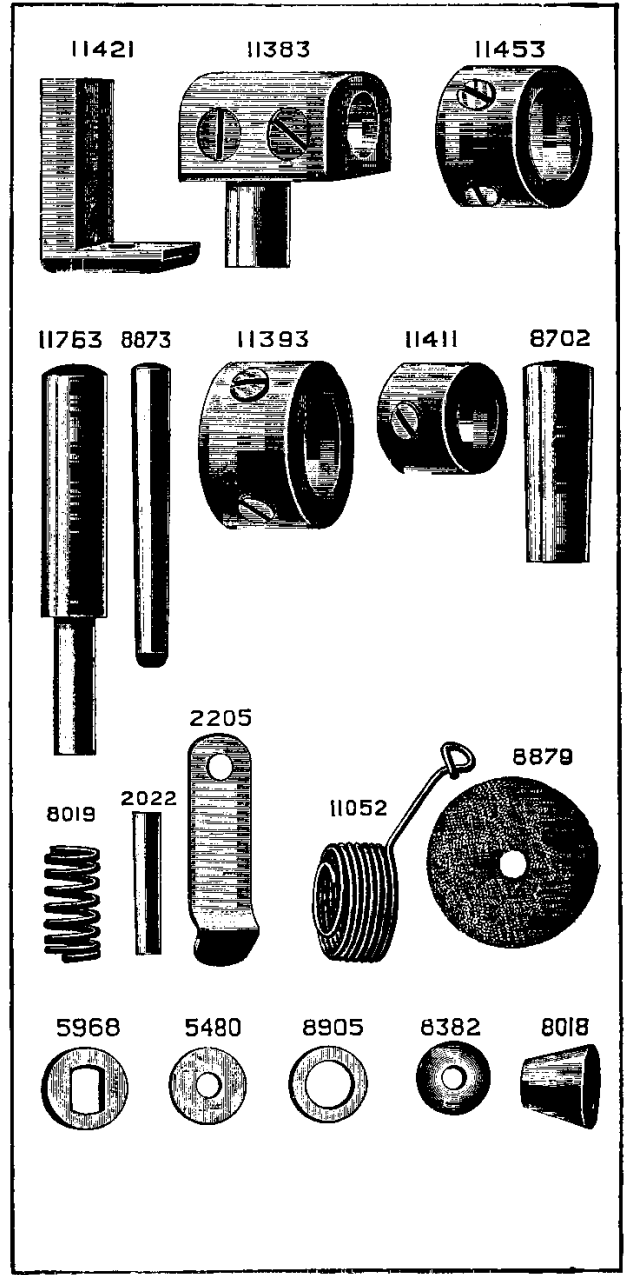


PLATE 888—FULL SIZE

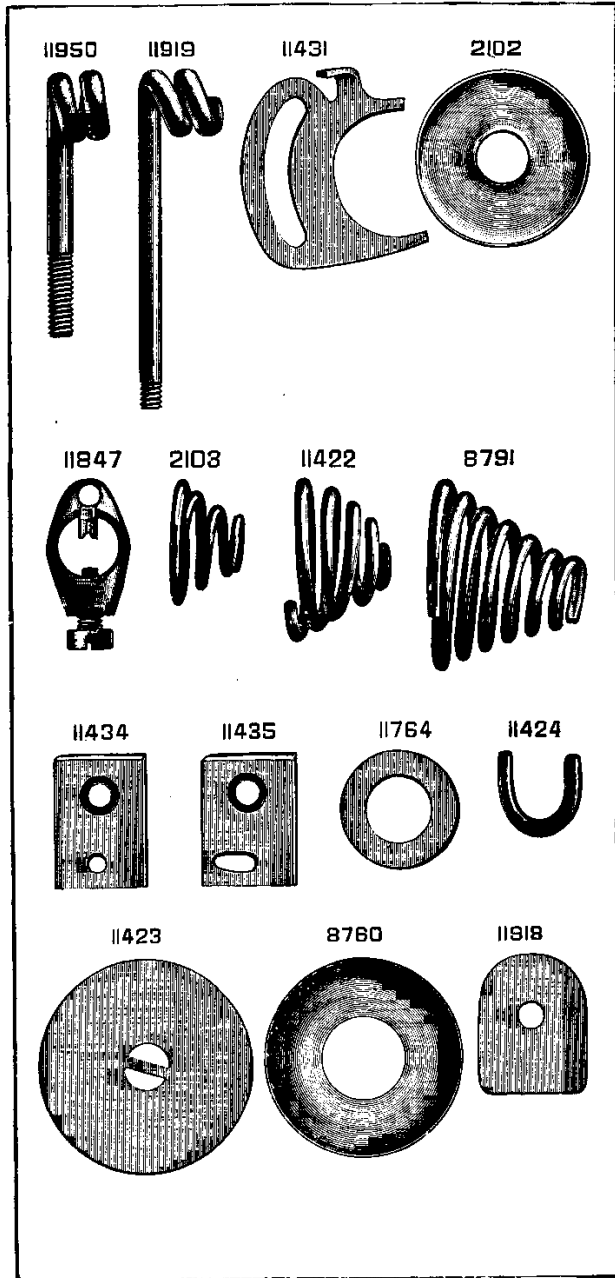


PLATE 889—FULL SIZE

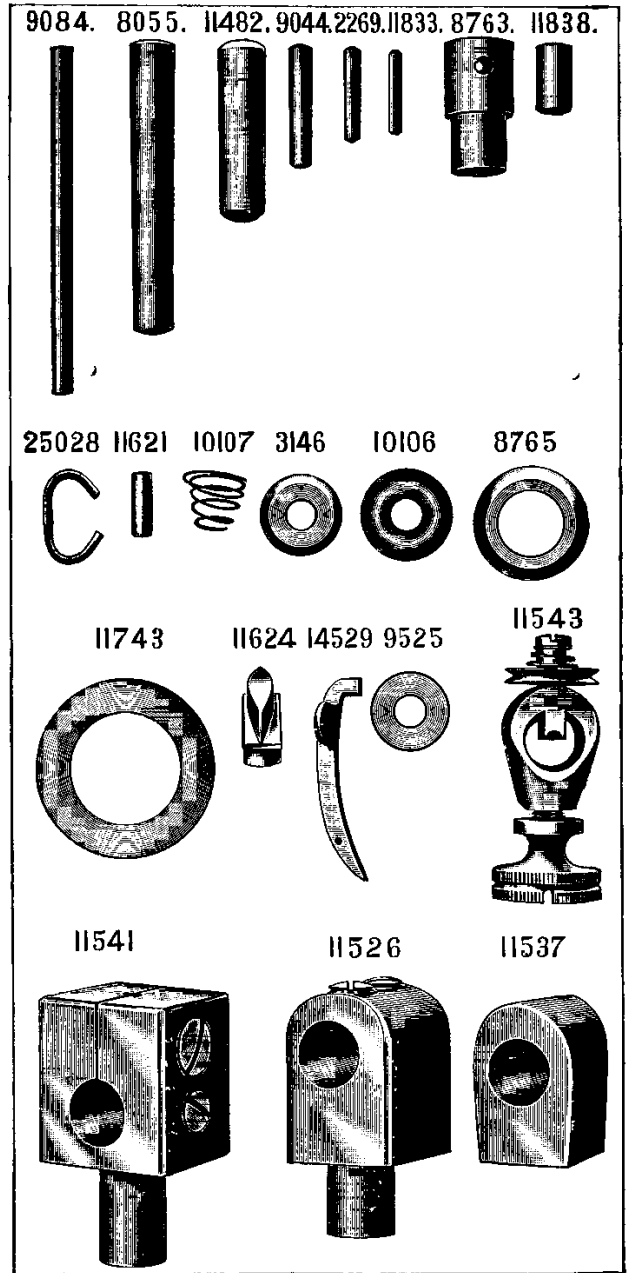


PLATE 890—FULL SIZE

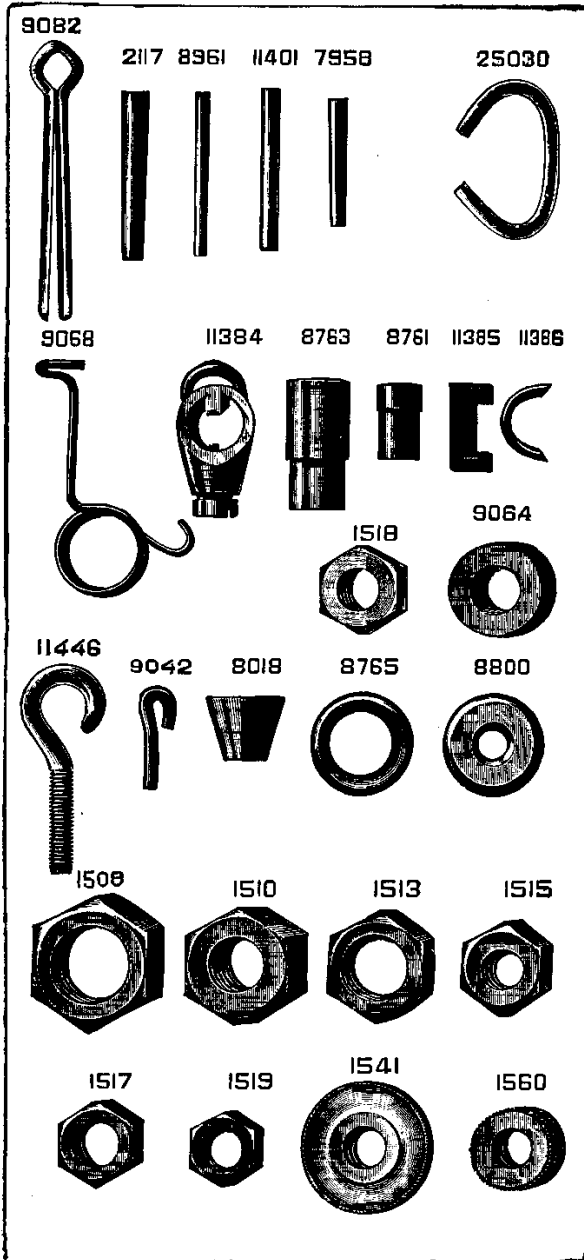


PLATE 892—ONE-HALF SIZE

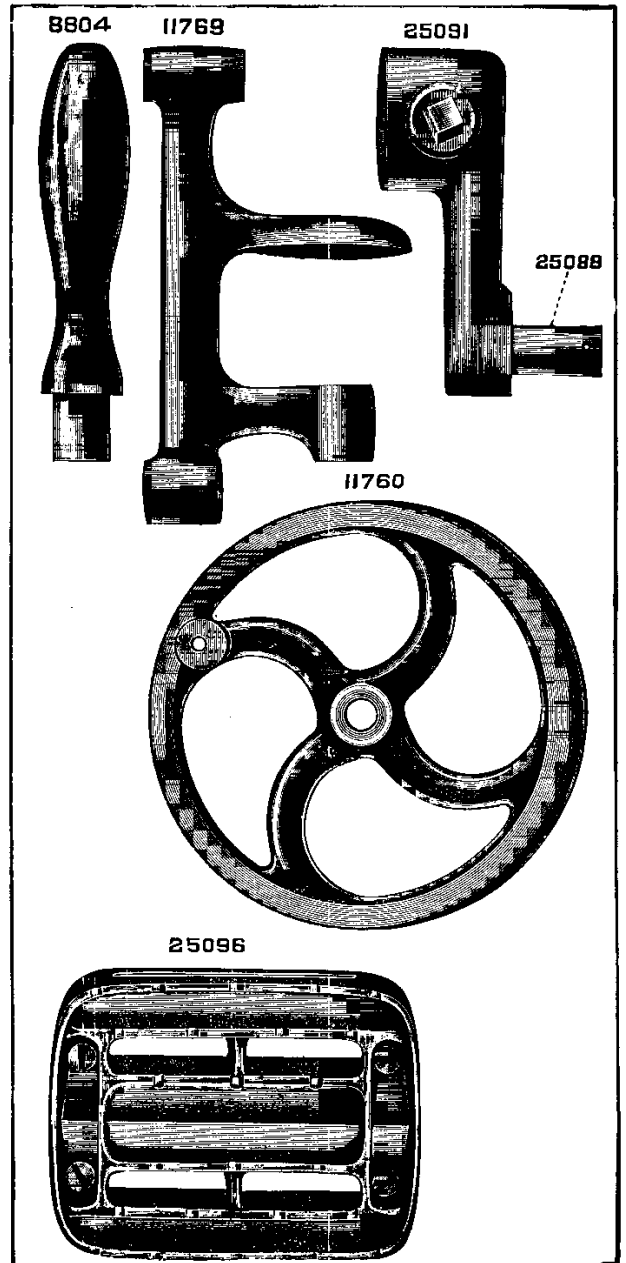


PLATE 893—FULL SIZE

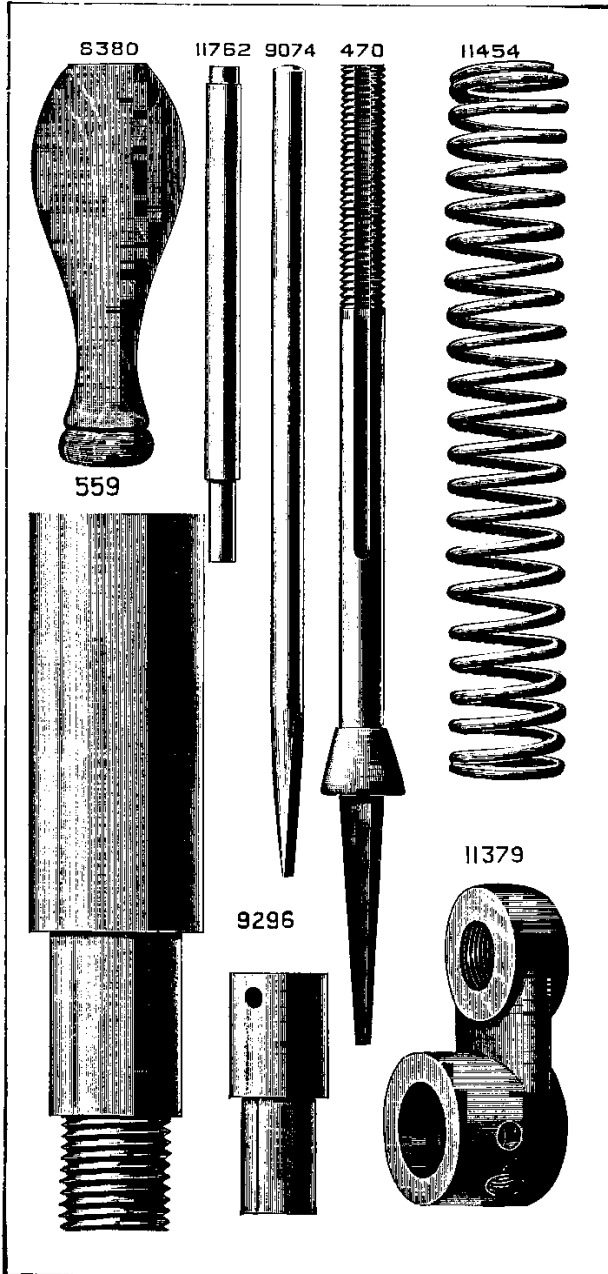


PLATE 894—ONE-HALF SIZE

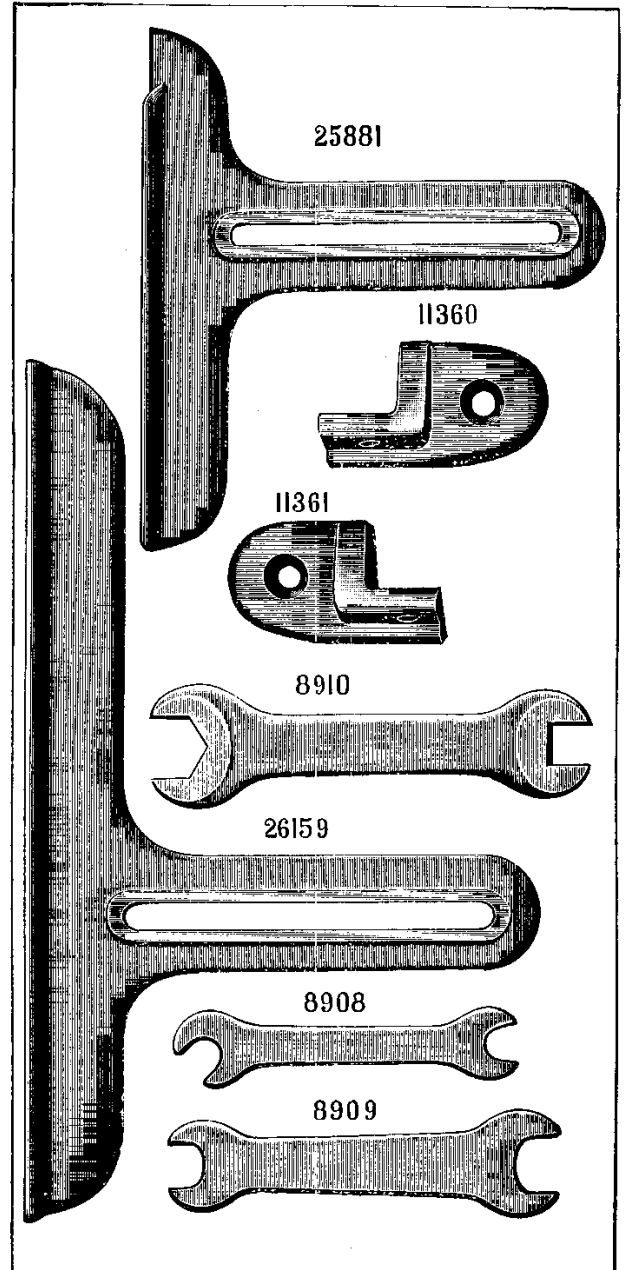


PLATE 895—ONE-HALF SIZE

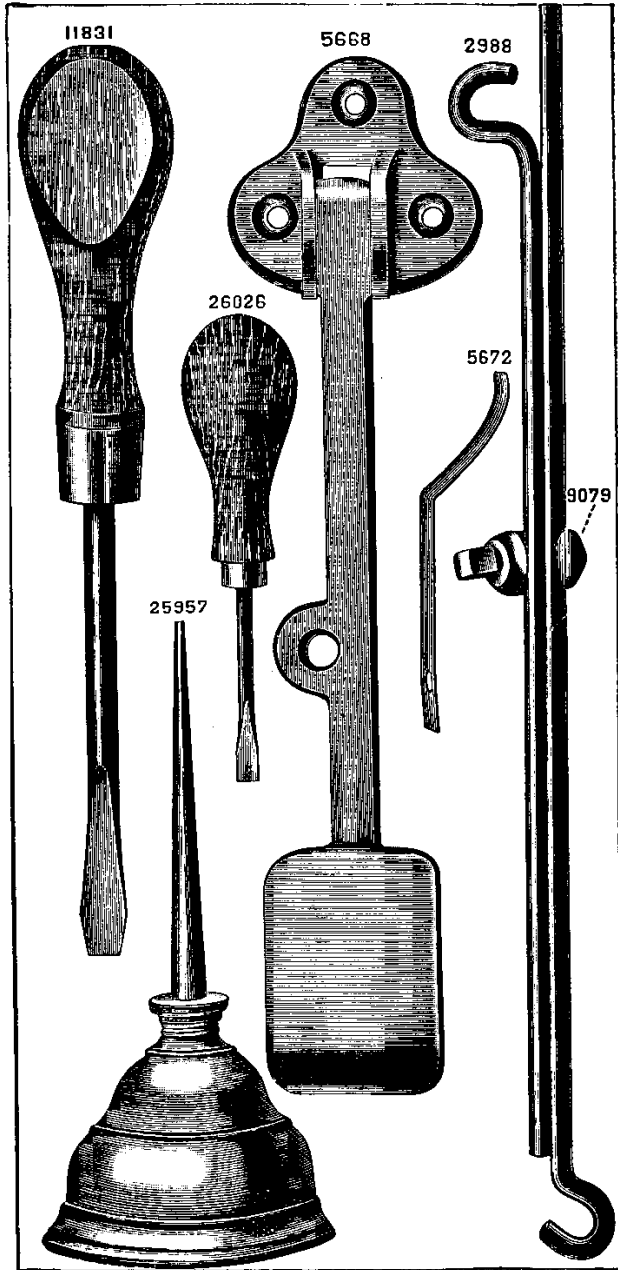


PLATE 896—ONE-EIGHTH SIZE

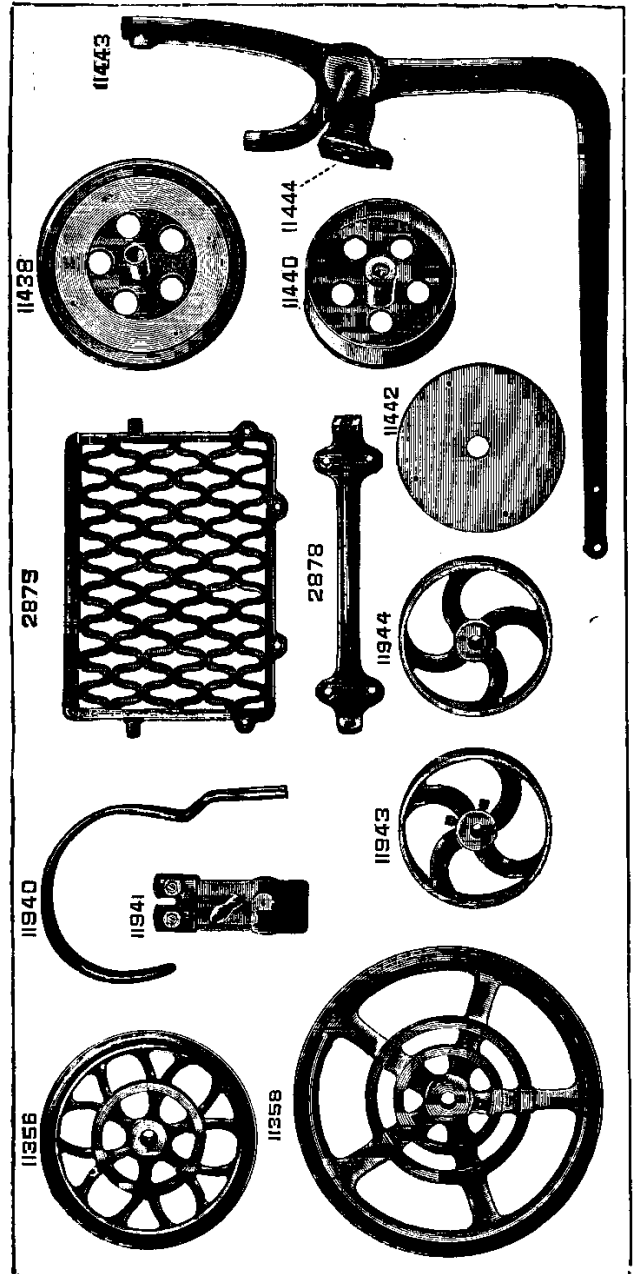


PLATE 897—FULL SIZE

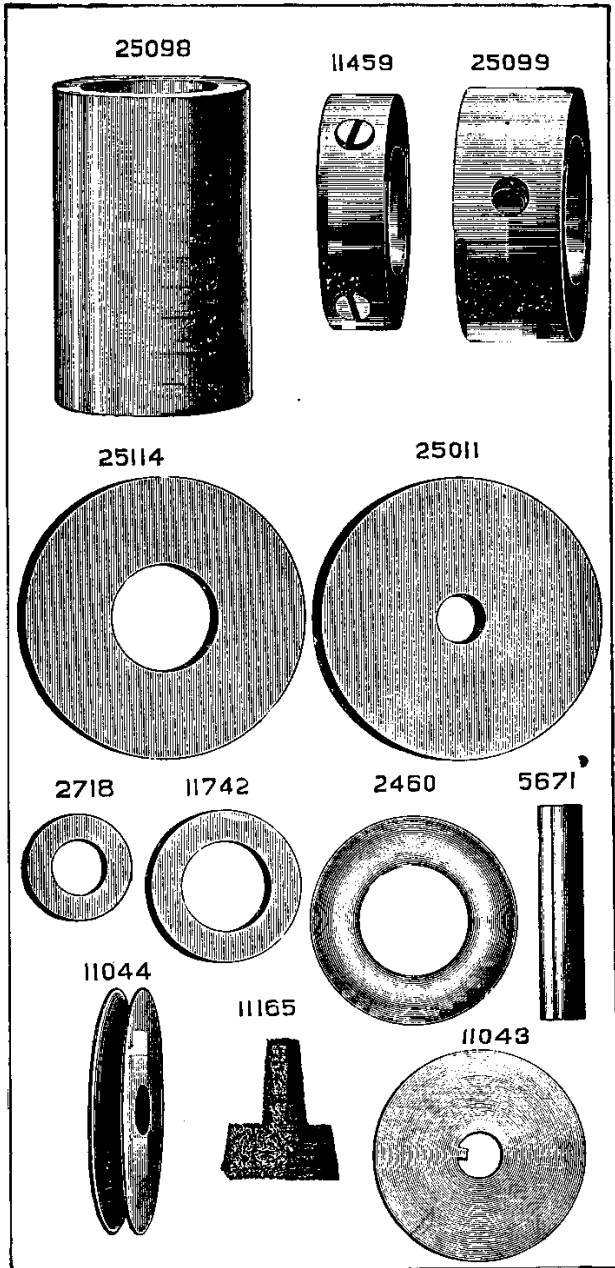


PLATE 898—FULL SIZE

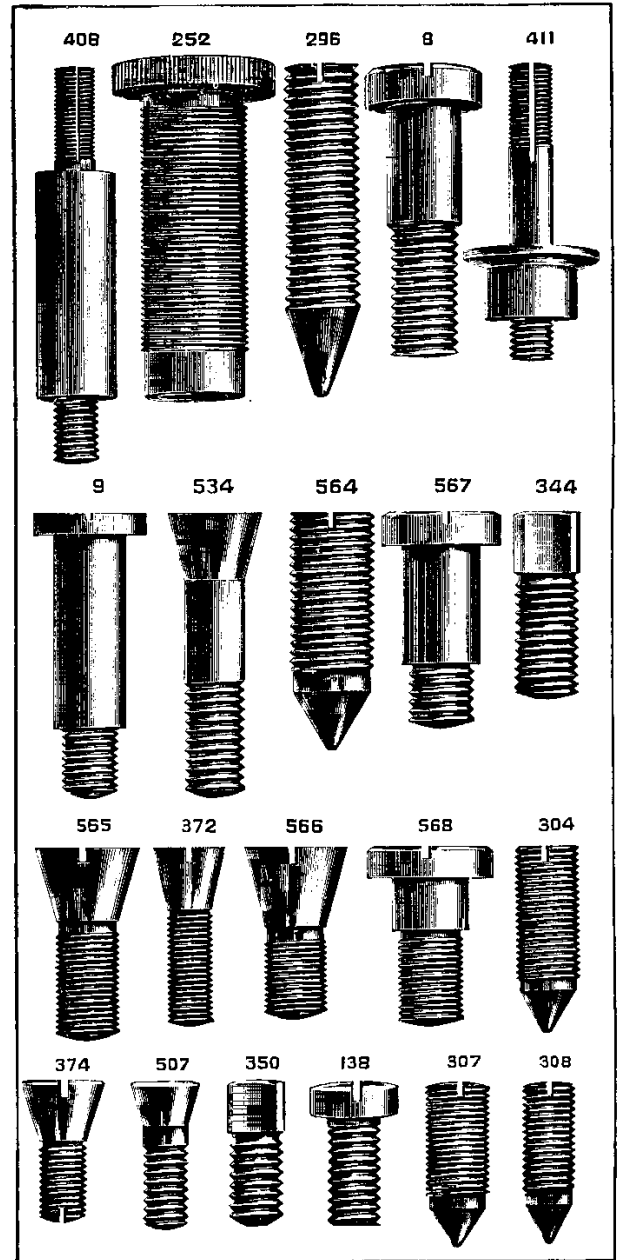


PLATE 899—FULL SIZE

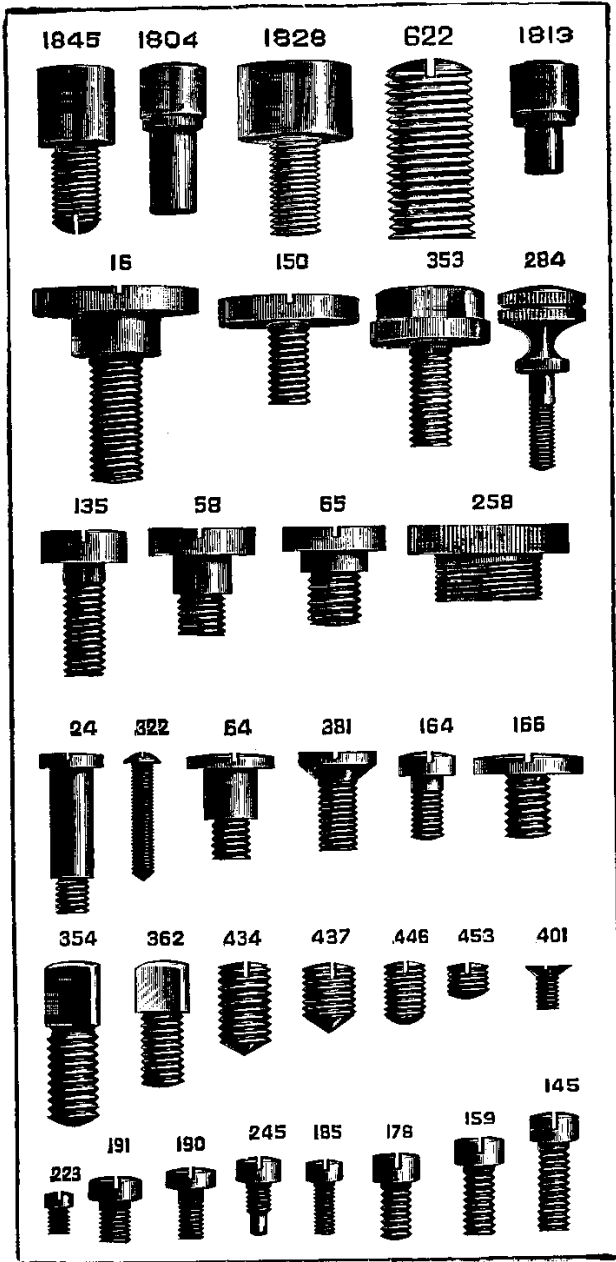


PLATE 900—FULL SIZE

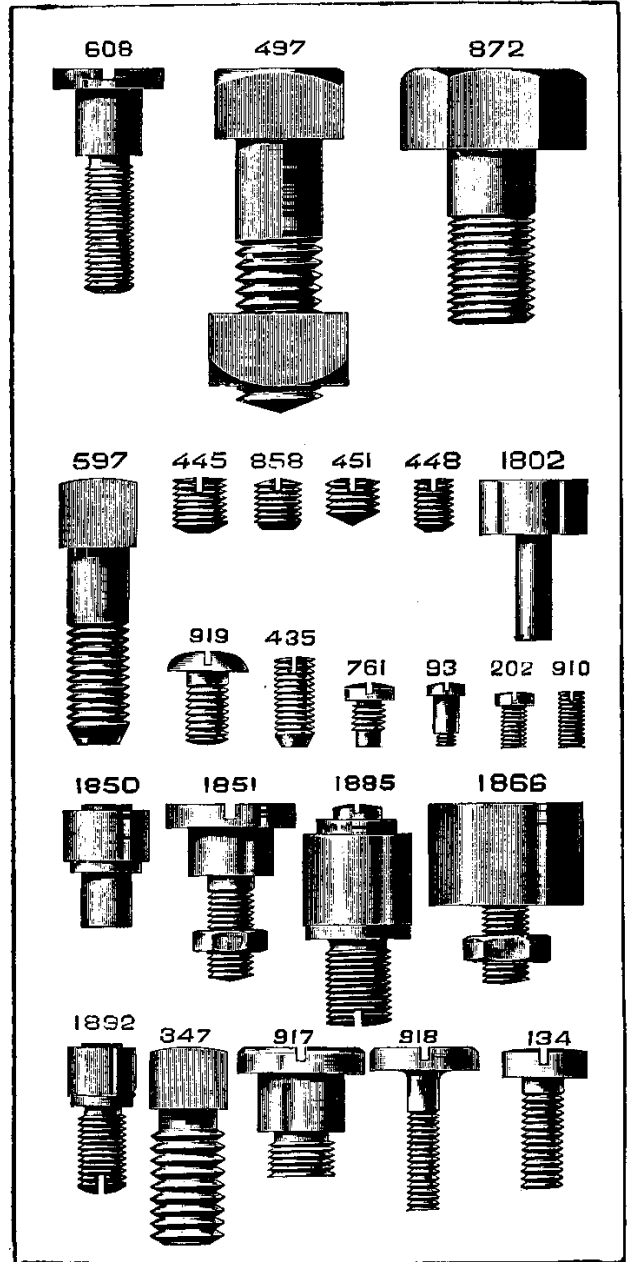


PLATE 901—FULL SIZE

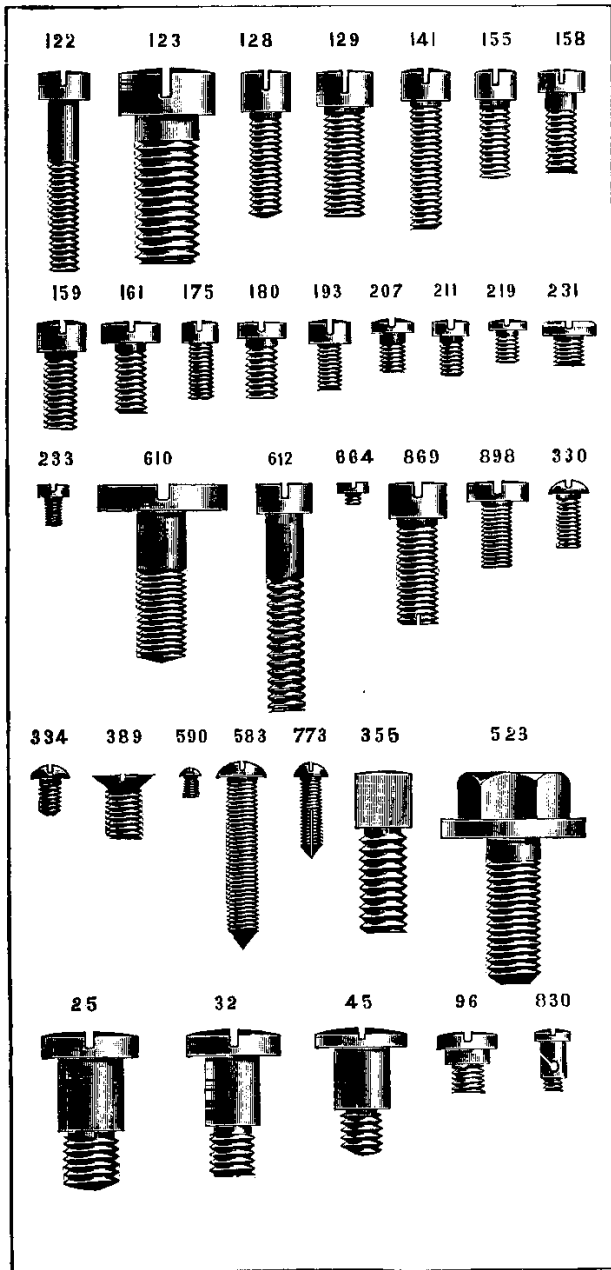


PLATE 902—FULL SIZE

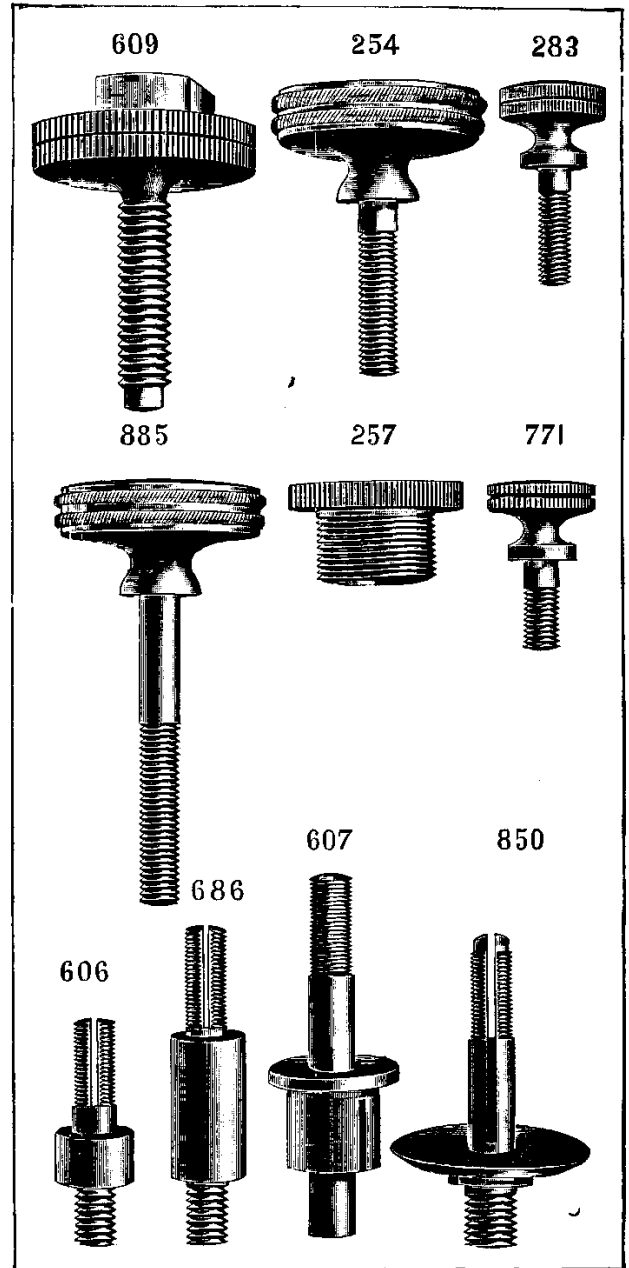


PLATE 903—FULL SIZE

