

# SINGER

753U 211

753U 311

754U 211

754U 311

# ILLUSTRATED PARTS LIST

## SINGER®

### MACHINE

753U 211 (FLAT BED, BOTTOM COVER)  
311 (2N, BOTTOM HEMMING)  
311 (3N, BOTTOM HEMMING.)

754U 211 (FLAT BED, TOP + BOTTOM COVER)  
311 (2N, BOTTOM HEMMING)  
311 (3N, BOTTOM HEMMING)

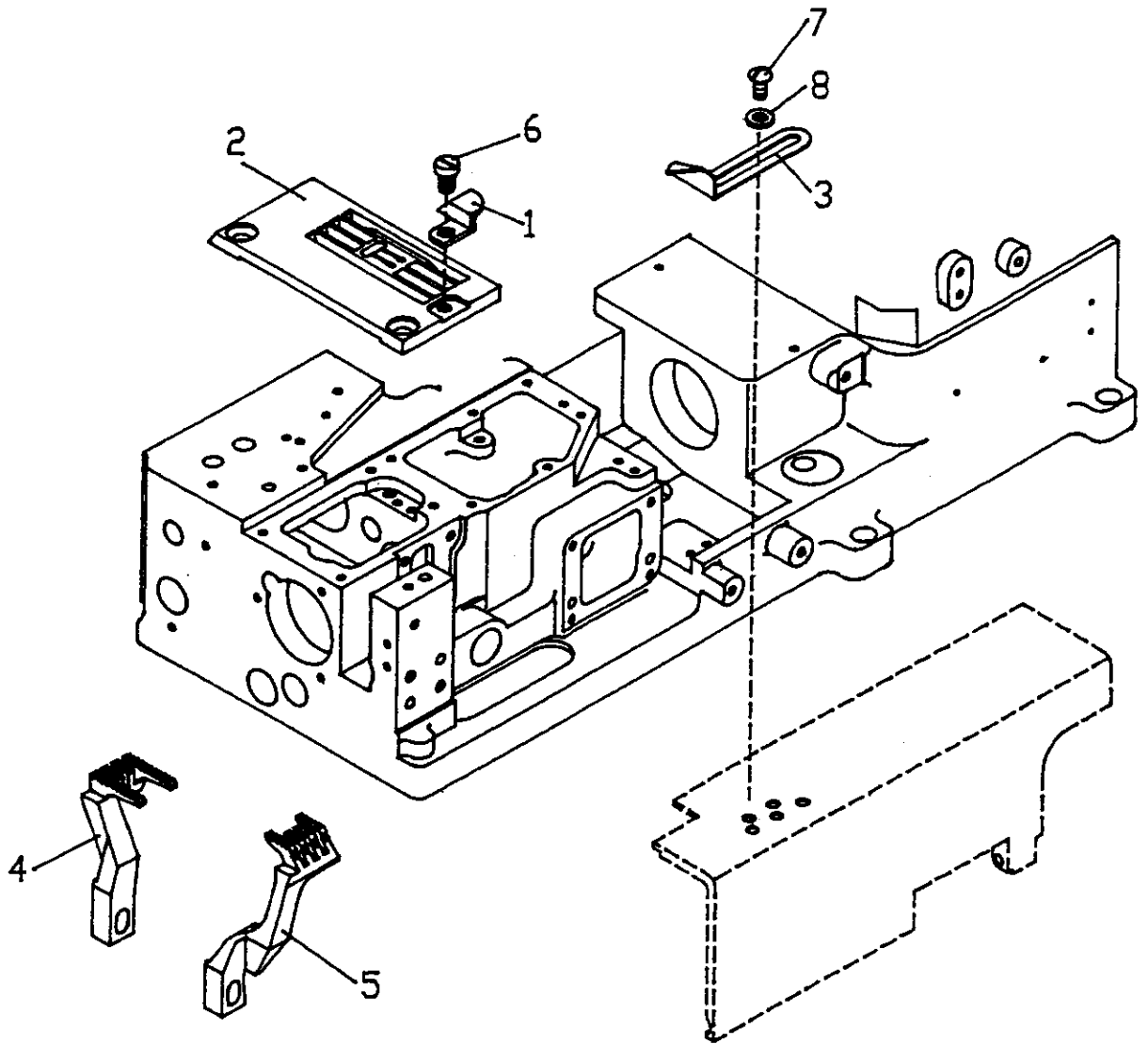
WHICH DIFFER FROM 753U200 MACHINE

300

754U200

300

OPEN HEMMING



Open Hemming

<u>Ref. No.</u>	<u>Part No.</u>	<u>Description</u>	<u>Q' ty</u>
1	VC110101E200	Fabric Guide (left) -----	1
2	-----	Needle Plate (See List Below) -----	1
3	VF110103	Fabric Guide (right) -----	1
4	-----	Main Feed Dog (See List Below) -----	1
5	-----	Differential Feed Dog (See List Below) -----	1
6	VSD24560305A	Screw -----	1
7	VMC04280807D	Screw -----	1
8	VF000254PW	Washer -----	1

Ref. No.	Description	Needle Gauge			
		4.0 mm	4.8 mm	5.6 mm	6.4 mm
2	Needle Plate	VTPC11403	VTPC11483	VTPC11563	VTPC11643
4	Main Feed Dog	VFDF00560	VFDF00560	VFDF00560	VFDF00640
5	Differential Feed Dog	VDF00560	VDF00560	VDF00560	VDF00640