

Form 2597w

440 )

Printed in U. S. A.

HISTORICAL COPY

DO NOT REMOVE

LIST  
OF  
PARTS



MACHINE No. 79-103

---

THE SINGER MANUFACTURING COMPANY

Copyright, U. S. A., 1938, 1939 and 1940  
by The Singer Manufacturing Co.  
All Rights Reserved for all Countries

## INDEX

---

	Page
Accessories .....	22
Bed Extension .....	23
Bobbin Winder .....	23
Driving Equipment .....	25
Iron Base .....	24
Machine No.79-103 .....	5
Miscellaneous Parts .....	26
Numerical List of Parts .....	27
Thread Unwinder .....	25

## INSTRUCTIONS FOR ORDERING

In ordering from this list, use ONLY the PART number in the FIRST column.

The number stamped on a Sewing Machine Part is the number of the Single Part only, except when the part includes Set Screws, Clamping Screws, Studs and Rollers Spun on, Small Wires riveted, or Parts soldered together, etc., which it is necessary to furnish in combination.

Every combination of parts sent out has its specific number which, although not stamped on Parts (except in above case), must be used when ordering the combination.

Each number always indicates the SAME PART in whatever list it appears, or for whatever Machine.

The letters after some of the numbers indicate the style of finish only, as follows:

A-Hardened, Polished, Nickel Plated and Buffed  
 B-Polished, Nickel Plated and Buffed  
 C-Hardened Only  
 D-Polished Only  
 E-Soft, Not Polished  
 F-Hardened and Polished  
 H-Blued  
 J-Nickel Plated Only  
 R-Merlized  
 X-Black Oxide, for Iron and Steel  
 X.C-Hardened and Black Oxide, for Iron or Steel  
 Y-Black Nickel Plated Only

These letters MUST BE USED when they appear in the list and AFTER the number, as in the list.

In this series

1 to 1500, 200001 to 201500 and 350001 to 351500 are Screw Numbers  
 1501 to 1800, 201501 to 201800 and 351501 to 351800 are Nut Numbers  
 1801 to 2000, 201801 to 202000 and 351801 to 352000 are Roller Numbers  
 2001 to 50000 and 202001 to 350000 are Numbers of Machine Parts

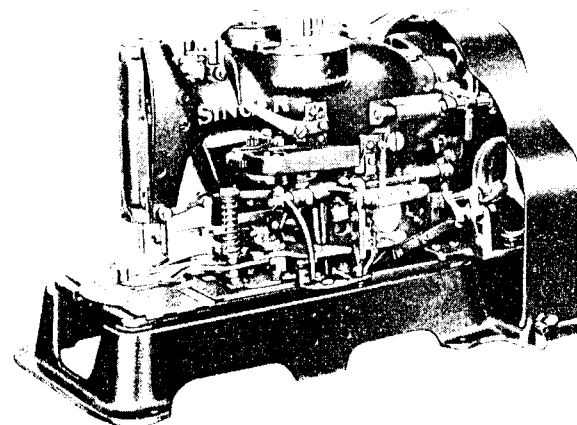
The Figures in the second column refer only to the plate in which the illustration of the part is shown and are NOT TO BE USED in ordering.

Two or more numbers over a cut indicate that the difference between such parts is not visible in an illustration.

Parts marked with an asterisk (\*) are furnished only when repairs are made at the factory.

## LIST OF PARTS COMPLETE

FOR



### MACHINE No. 79-103

HIGH SPEED.

POSITIVE FEED.

For Tacking Hose Supporters to Corsets and Similar Purposes.  
 Makes whip stitch tack from 5/8 inch to 1 5/8 inches long and 1/16 inch to 1/4 inch wide.

Automatically cuts Both threads.

No.	Plate	Name
*249601	-----	Arm with 24081
858E	18219	" Dowel Pin (2)
748E	18219	" Screw (back) (2)
868E	18219	" " (front) (2)
249602	18220	" Shaft
*24081	-----	" " Bushing (front)
202260	18220	" " " Oil Packing (wick) (2)
200502B	18220	" " " Thumb Screw (2)
249622	18220	" " Flanged Bushing (back)
435C	18220	" " " " Set Screw
1069D	18220	" " Screw
39620	18232	" Side Cover
190D	18232	" " " Screw
249604	18232	" Top Cover (left)
249605	18232	" " " (right)
190D	18232	" " " Screw (4)
*249620	-----	Bed

## PARTS FOR MACHINE No. 79-103

No.	Plate	Name
249894	18219	Bed Oil Guard with 249883
249883	18219	" " " Oil Tube (brass)
1235F	18219	" " " Screw
249853	18255	Belt Shifter with 350287C
249854	18255	" " Operating Collar with 350329C
350329C	18255	" " " Set Screw
249855	18229	" " " Rod
350287C	18229	" " " Set Screw
350287C	18255	" " Set Screw
249856	18255	" " Shaft
249857	18255	" " Bracket
249858	18255	" " " Extension with 51047E
51047E	18255	Belt Shifter Shaft Bracket Extension Pinch Screw
158E	18255	Belt Shifter Shaft Bracket Extension Screw
350288C	18255	Belt Shifter Shaft Bracket Hinge Screw
23554	18254	" " " " Spring
350338E	18254	" " " " " Screw Stud (lower)
350339E	18255	Belt Shifter Shaft Bracket Spring Screw Stud (upper)
249860	18255	Belt Shifter Shaft Bracket Stop
191D	18255	" " " " " Screw
249861	18255	" " " Guide Collar with 237F
2269	18255	" " " " " Position Pin
237F	18255	" " " " " Set Screw
249862	18255	" " " Spring
39882	18255	" " Stop Washer (rawhide)
249863	18250	" " Trip Point
249869	-----	" " " " Collar with 175E, 756E 23466, 249863 and two 448C
40139	18250	Belt Shifter Trip Point Collar 249869 less 23466 and 175E
448C	18250	Belt Shifter Trip Point Collar Set Screw
756E	18250	" " " " " Screw
249864	18255	" " " Stud
161D	18236	Bobbin Winder Base Screw (2)
3953Q	18247	Clamp Arm
625F	18246	" " Adjusting Screw (2)
1547J	18246	" " " " Nut (2)
249955	18246	" " Bracket with 196F
40003	18246	" " Guide (left)
219F	18246	" " " " " Screw (2)
40004	18246	" " " " " (right)
207F	18246	" " " " " Screw (2)
191C	18246	" " " " " Screw (3)
39541	18246	" " " " " Washer (3)
249956	18246	" " Hinge Block

## PARTS FOR MACHINE No. 79-103

No.	Plate	Name
23380	18246	Clamp Arm Hinge Block Pin
196F	18246	" " " " " Set Screw
402D	18246	" " " " " Screw (3)
249957	18248	" Carrier
40006	18251	" " Block with 40007 and four 404D
40007	18251	" " " " Plate
404D	18251	" " " " " Screw
23384	18251	" " Connecting Rod
52C	18251	" " " " " Hinge Screw
249958	18246	" " Guard
244D	18246	" " " " " Screw
39591	18248	" " Guide (left)
756D	18248	" " " " " Screw (long) (2)
1345D	18248	" " " " " (short)
39645	18248	" " " " " (right)
1230F	18248	" " " " " Screw (2)
1346D	18248	" " Holder Screw (2)
249959	18246	" " Plate
1231F	18246	" " " " " Screw (back) (2)
404D	18246	" " " " " (front) (2)
249960	18251	" " Regulator with 240D, 1960 and 39583
1232C	18251	Clamp Carrier Regulator Hinge Screw
1960	18251	" " " " " Roller and Screw Stud with 1520J
1520J	18251	Clamp Carrier Regulator Roller and Screw Stud Nut
249895	18219	Clamp Carrier Regulator Slide
350076C	18251	" " " " " Stud (to regulate length of tack)
1671C	18251	Clamp Carrier Regulator Stud Nut
39532	18251	" " " " " Sleeve
39583	18251	" " " " " Stop
240D	18251	" " " " " " Screw
39720	18248	" " Slide with 1345D, 39591 and two 756D
23392	18248	Clamp Carrier Slide Guide (left)
23393	18248	" " " " " (right)
914F	18248	" " " " " " Screw (4)
40101	18247	" Check with 40103, two each 237F and 1348E
1297C	18247	Clamp Check Screw (2)
40103	18247	" " Section and Cutting Plate
237F	18247	" " " " " " " Screw (2)
1348E	18247	Clamp Check Section and Cutting Plate Support Stud
40102	18247	Clamp Check complete, Nos. 219F, 2269, 39728 39729, 40049, 40050 and 40101
39724	18247	Clamp Lifting Arm

No.	Plate	Name
249759	18254	Clamp Lifting Arm Connection (lower section)
249865	18254	Clamp Lifting Arm Connection (upper section)
249866	18254	Clamp Lifting Arm Connection complete, Nos. 704C, 23390, 249759 and 249865
41C	18254	Clamp Lifting Arm Connection Hinge Screw
1520J	18254	" " " " " "
		Nut
249867	18255	Clamp Lifting Arm Connection Lock
940F	18255	" " " " " Hinge Screw
232065	18255	" " " " " Spring
201295E	18255	" " " " " Screw
		Stud
249963	18255	Clamp Lifting Arm Connection Lock Stop Plate
194C	18255	Clamp Lifting Arm Connection Lock Stop Plate Support Stud
249760	18254	Clamp Lifting Arm Connection Lock Trip Lever with 690D
690D	18254	Clamp Lifting Arm Connection Lock Trip Lever Pinch Screw
1901	18254	Clamp Lifting Arm Connection Roller and Screw Stud with 229D and 12424
40016	18254	Clamp Lifting Arm Connection Roller and Screw Stud Bracket
157F	18254	Clamp Lifting Arm Connection Roller and Screw Stud Bracket Screw
39541	18254	Clamp Lifting Arm Connection Roller and Screw Stud Bracket Screw Washer
229D	18254	Clamp Lifting Arm Connection Roller Cap Screw
12424	18254	Clamp Lifting Arm Connection Roller Cap Screw Washer
704C	18254	Clamp Lifting Arm Connection Screw
23390	18254	" " " " " Washer
199D	18247	" " " Screw (2)
40020	18246	" Plate
1235F	18248	" " Screw (4)
249964	18246	" " Support
402D	18246	" " " Screw (2)
23574	18246	" Post
1659C	18246	" Pressure Regulating Thumb Nut
39514	18246	" Spring
23693	18246	" " Bushing
1294C	18246	" " " Position Stud
1550J	18246	" " " " " Nut
24028	18220	Crank Connecting Rod with 24085 and two 896E
*24085	-----	Crank Connecting Rod Cap

No.	Plate	Name
896E	18220	Crank Connecting Rod Cap Screw
908C	18220	" " " Hinge Screw
1619E	18220	" " " " " Nut
249933	18220	" " " " " Oil Tube (brass)
249631	18219	Face Plate
217D	18219	" " Screw (lower)
190D	18219	" " " (upper)
249846	18250	Feed Driving Gear with two 448C
40132	18249	" " " (intermediate) (18 teeth)
249965	18249	Feed Driving Gear (intermediate) with two 457E
249968	18249	Feed Driving Gear (intermediate) for swing bracket
350430D	18249	Feed Driving Gear (intermediate) for swing bracket, Screw
40133	18249	Feed Driving Gear (intermediate) for swing bracket, Screw Washer
249969	18249	Feed Driving Gear (intermediate) Bracket
249904	18255	" " " " " Position Lever
1178C	18249	Feed Driving Gear (intermediate) Bracket Position Lever Clamping Screw
249970	18249	Feed Driving Gear (intermediate) Pinion Shaft
249745	18249	Feed Driving Gear (intermediate) Pinion Shaft Collar with two 458C
458C	18249	Feed Driving Gear (intermediate) Pinion Shaft Collar Set Screw
249849	18249	Feed Driving Gear (intermediate) Pinion Shaft Eccentric Bushing
249844	18249	Feed Driving Gear (intermediate) Pinion Shaft Eccentric Bushing Position Plate
161D	18249	Feed Driving Gear (intermediate) Pinion Shaft Eccentric Bushing Position Plate Screw
232719	18249	Feed Driving Gear (intermediate) Position Pin
457E	18249	Feed Driving Gear (intermediate) Set Screw
249971	18249	Feed Driving Gear (intermediate) Stud
249972	18249	" " " " " Swing Bracket
350310D	18249	" " " " " " Screw
232131	18249	Feed Driving Gear (intermediate) Swing Bracket Screw Washer
40025	18250	Feed Driving Gear Position Pin
448C	18250	" " " Set Screw
249905	18255	" Hand Ratchet Lever

## PARTS FOR MACHINE No. 79-103

No.	Plate	Name
249906	18255	Feed Hand Ratchet Lever Extension Handle
160H	18255	" " " " " "
		Screw
249907	18255	Feed Hand Ratchet Lever Pawl with 232382
90D	18255	" " " " " Hinge Screw
250058	18255	" " " " " Spring
232382	18255	" " " " " Pin
1449H	18255	" " " " " Screw
249914	18255	Feed Hand Ratchet Lever complete, Nos. 90D, 160H, 1449H, 249905 to 249907 and 250058
39924	18250	Feed Hand Ratchet Wheel with 460C
3012	18250	" " " " Pin
460C	18250	" " " " Set Screw
40135	18251	" Wheel with 249641 and two 220D
201668E	18250	" " Clamping Nut
40140	18250	" " Shaft
249640	18251	" " Tripping Lever
350237C	18251	" " " " Hinge Screw
1620E	18251	" " " " " Nut
249868	18251	" " " " Point
203C	18251	" " " " Screw (2)
646F	18251	" " " " Screw Stud
250444	18251	" " " " " Washer
23435	18251	" " " " Spring
190D	18251	" " " " " Screw
184E	18251	" " " " Stop Screw
249641	18251	" " " " Point
220D	18251	" " " " " Screw
*249642	18225	Intermittent Feed Wheel with two 350249E
*249936	18225	" " " " Driving Bevel Gear
		with two 351872
*249644	18225	Intermittent Feed Wheel Driving Bevel Gear Bracket
249944	18225	Intermittent Feed Wheel Driving Bevel Gear Bracket 249644 with 249936 and 350230C
1396E	18225	Intermittent Feed Wheel Driving Bevel Gear Bracket Screw (2)
350230C	18225	Intermittent Feed Wheel Driving Bevel Gear Cap Screw
249645	18220	Intermittent Feed Wheel Driving Bevel Pinion with two 453C
40025	18220	Intermittent Feed Wheel Driving Bevel Pinion Position Pin
453C	18220	Intermittent Feed Wheel Driving Bevel Pinion Set Screw
201891	18225	Intermittent Feed Wheel Driving Roller
351872	18225	" " " " " "
		201891 with 229D, 23389 and 249937

## PARTS FOR MACHINE No. 79-103

No.	Plate	Name
229D	18225	Intermittent Feed Wheel Driving Roller Cap Screw
23389	18225	Intermittent Feed Wheel Driving Roller Cap Screw Washer
249934	18232	Intermittent Feed Wheel Driving Roller Oiling Felt
249935	18232	Intermittent Feed Wheel Driving Roller Oiling Felt Holder
1034F	18232	Intermittent Feed Wheel Driving Roller Oiling Felt Holder Screw (2)
249937	18225	Intermittent Feed Wheel Driving Roller Stud
12546	18225	Intermittent Feed Wheel Position Pin
350249E	18225	" " " " Screw
*249646	18225	" " " " Shaft
249946	18225	" " " " 249646 with 249642, 249674 and two 12546
40066	18252	Needle Bar with 857H
23476	18252	" " Connecting Link with 794E
794E	18252	" " " " Adjusting Screw
1021E	18252	" " " " Cap Screw
39601	18252	" " " " Stud with 1341C
1341C	18252	" " " " Set Screw
23477	18220	" " Crank with 858C, 1036C, 1065C and 1258C
1065C	18220	Needle Bar Crank Position Screw
858C	18220	" " " " Set Screw
23478	18252	" " " " Frame with 4784
249666	18252	" " " " Connection
350254F	18252	" " " " Cap Screw
350251C	18252	" " " " Hinge Screw
249667	18225	" " " " Driving Gear
249671	18225	" " " " " (intermediate) (large) with 235356
249672	18225	Needle Bar Frame Driving Gear (intermediate) (small)
249669	18225	Needle Bar Frame Driving Gear (intermediate) Bracket with 1149C
250397	18225	Needle Bar Frame Driving Gear (intermediate) Bracket Position Pin
129E	18225	Needle Bar Frame Driving Gear (intermediate) Bracket Screw (2)
201715C	18225	Needle Bar Frame Driving Gear (intermediate) Clamping Nut
235356	18225	Needle Bar Frame Driving Gear (intermediate) Pin
249670	18225	Needle Bar Frame Driving Gear (intermediate) Stud
1149C	18225	Needle Bar Frame Driving Gear (intermediate) Stud Set Screw

No.	Plate	Name
200068H	18225	Needle Bar Frame Driving Gear Screw (2)
23610	18252	" " " Pitman (hinge screw end)
23609	18252	" " " " (regulator end)
190C	18252	" " " " Adjusting Screw
7071	18252	" " " " " Washer
23611	18252	Needle Bar Frame Pitman (adjustable) complete, Nos. 23609, 23610, two each 190C and 7071
1042C	18252	Needle Bar Frame Pitman Hinge Screw
1547J	18252	" " " " " Nut
249673	18252	" " " Regulator
1038C	18252	" " " Adjusting Screw
1698C	18252	" " " " " Nut
7070	18252	" " " " " "
		Sleeve
39504	18252	Needle Bar Frame Regulator Adjusting Screw Washer
249668	18252	Needle Bar Frame Regulator Hinge Stud
446C	18252	" " " " " " Set Screw
303C	18252	Needle Bar Frame Screw Center (lower)
1608C	18252	" " " " " " Nut
673F	18252	" " " " " (upper)
1517J	18252	" " " " " " Nut
40106	18248	" Plate
404D	18248	" " Screw (2)
857H	18252	" Set Screw
40122	18225	" Vibrating Controlling Block
161D	18225	" " " " " Screw
8800	18225	" " " " " "
		Washer
*249674	18225	Needle Vibrating Gear with two 350249E
12546	18225	" " " Position Pin
350249E	18225	" " " " " Screw
249611	18225	" " Shaft with 452C
201713C	18225	" " " Adjusting Lock Nut (2)
249612	18232	" " " Guard
208D	18232	" " " " " Screw (2)
249613	18225	" " Slide
249740	18225	" " " Operating Plate (adjustable)
223D	18225	Needle Vibrating Slide Operating Plate (adjustable) Screw (2)
249614	18225	Needle Vibrating Slide Operating Plate (stationary)
228D	18225	Needle Vibrating Slide Operating Plate (stationary) Screw (2)
350253C	18225	Needle Vibrating Slide Operating Plate Adjusting Screw

No.	Plate	Name
1607E	18225	Needle Vibrating Slide Operating Plate Adjusting Screw Nut
249615	18225	Needle Vibrating Slide Operating Rod
249616	18225	" " " " " Stud
898C	18225	" " " " Stop Screw (adjustable)
452C	18225	Needle Vibrating Slide Stop Screw (adjustable) Set Screw
39653	18220	Oscillating Rock Shaft
23494	18220	" " " Hinge Pin with 23421
23421	18220	Oscillating Rock Shaft Hinge Pin Oil Hole Plug (leather)
448C	18220	Oscillating Rock Shaft Hinge Pin Set Screw
39654	18220	Oscillating Rock Shaft complete, Nos. 4784, 23494 and 39653
4784	18220	Oscillating Rock Shaft Oil Pad
39655	18220	" Shaft
39656	18220	" " Bushing (back)
24047	18220	" " " (front)
249931	18220	" " " " Oil Tube (brass)
250451	18220	" " " " " " Plate
190D	18220	" " " " " " " Screw
249932	18220	Oscillating Shaft Bushing (front) Oil Tube Support Plate
39657	18220	Oscillating Shaft Crank
1253C	18220	" " " " Set Screw
39658	18220	Oscillating Shaft Crank complete, Nos. 1636E, 24050, 39657 and two 1253C
19448	18220	Oscillating Shaft Crank Slide Block
226J	18220	" " " " " " Cap Screw
12424	18220	Oscillating Shaft Crank Slide Block Cap Screw Washer
1035C	18220	Oscillating Shaft Crank Slide Block Screw Stud
1636E	18220	Oscillating Shaft Crank Slide Block Screw Stud Nut
24050	18220	Oscillating Shaft Crank Slide Block complete, Nos. 226J, 1035C, 12424 and 19448
*249890	-----	Pulley (loose) with 200584D
249891	18220	" " Ball Bearing
249892	18220	" " Bushing
200584D	18220	" " Grease Retaining Screw
249893	18220	Pulley (loose, ball bearing) complete, Nos. 249890 to 249892
249702	18220	Pulley (tight) with 454C
40025	18220	" " Pin (2)

No.	Plate	Name
454C	18220	Pulley (tight) Set Screw
262014	18255	Sewing Safety Lock
59D	18255	" " " Hinge Screw
249947	18255	" " " Pitman (front section)
249948	18255	" " " " (rear section)
914F	18255	" " " " Screw
39541	18255	" " " " Washer
249949	18255	Sewing Safety Lock Pitman complete, Nos. 249947, 249948, two each 914F and 39541
350235D	18255	Sewing Safety Lock Pitman Hinge Screw (back)
766D	18255	Sewing Safety Lock Pitman Hinge Screw (front)
23500	18200	Shuttle Bobbin
15141	18200	" " Case Hinge, Nos. 2973, 2974 and 15140
15140	18200	Shuttle Bobbin Case Latch
2973	18200	" " " " Lever
2974	18200	" " " " Fulcrum Pin
2975	18200	" " " " Spring
592E	18200	" " " " Stop Screw
39623	18200	" " " " Position Finger
2523	18200	" " " " Rivet
249546	18200	" " " " Plate
399D	18200	" " " " Screw
40112	18200	Shuttle Bobbin Case complete, Nos. 591F, 592E, 2523, 2975, 15141, 15278 and 39623
40029	18200	Shuttle, 1-11/16 in. diam., Nos. 23500, 40112 and 40028
40028	18200	Shuttle Body
23505	18220	" " Driver with 462C
2269	18220	" " Pin
462C	18220	" " Set Screw
249924	18200	" Race
39969	18200	" " Back
2532	18200	" " " Position Pin
2533	18200	" " " Spring
907E	18200	" " " Screw
7326	18200	" " Cap
662D	18200	" " Screw
249928	18200	" " Oil Packing (felt)
249926	18200	" " Plate
203E	18200	" " " Screw
249927	18200	" " Position Pin
249929	18200	Shuttle Race complete, Nos. 907E, 2533, 7326 39969, 249546, 249924, 249926, two each 399D, 662D, 2532, 249927, 249928 and three 203E
145F	18200	Shuttle Race Screw

No.	Plate	Name
591F	18200	Shuttle Tension Regulating Screw
15278	18200	" " Spring
249703	18229	Starting Lever
717C	18229	" " Adjusting Screw
1520J	18229	" " " " Nut
249704	18229	" " Bracket
8582	18229	" " " Dowel Pin (2)
123E	18229	" " " Screw
23511	18229	" " Rod
61C	18229	" " " Hinge Screw
564C	18229	" " Screw Center
58384	18229	" " " " 564C with 1508E (2)
1508E	18229	Starting Lever Screw Center Nut
23624	18229	" " Spring
39675	18229	" " " Collar with two 191C
191C	18229	" " " " Set Screw
202005	18229	" " " Washer
124F	18229	" " Stop Screw
1518J	18229	" " " " Nut
Note: No. 249727 is furnished with machine unless another Stitch Regulating Gear is specified on order.		
249675	18225	Stitch Regulating Gear 18 teeth
249677	18225	" " " 20 teeth
249679	18225	" " " 24 teeth
249951	18225	" " " 27 teeth
249682	18225	" " " 30 teeth
249725	18225	" " " 36 teeth
249727	18225	" " " 40 teeth
249744	18225	" " " 45 teeth
249952	18225	" " " 54 teeth
249953	18225	" " " 60 teeth
249923	18255	" " " Disengaging Lever
350337C	18255	" " " " " "
Hinge Screw		
249909	18255	Stitch Regulating Gear Disengaging Slide
249910	18255	" " " " "
Bracket		
158E	18255	Stitch Regulating Gear Disengaging Slide Bracket Screw
95C	18255	Stitch Regulating Gear Disengaging Slide Operating Screw
99C	18255	Stitch Regulating Gear Disengaging Slide Screw
249975	18249	Stitch Regulating Gear Guard
201721C	18225	" " " Guide and Lock Nut
249739	18225	" " " Pin
249912	18225	" " " Spring
249705	18229	Stop Cam with two 202330



No.	Plate	Name
249706	18229	Stop Cam Gear
249707	18229	" " " Guard
164D	18229	" " " " Screw (2)
249708	18229	" " " Stud
200522C	18229	" " " " Set Screw
249741	18229	" " Interlocking Rod
249709	18229	" " " " Guide with 1070C
1070C	18229	Stop Cam Interlocking Rod Guide Set Screw
39988	18229	Stop Cam Interlocking Rod Guide Washer (rawhide)
21651	18229	Stop Cam Interlocking Rod Spring
913C	18229	" " " " " Regulating Thumb Screw
1638E	18229	Stop Cam Interlocking Rod Spring Regu- lating Thumb Screw Nut
202330	18229	Stop Cam Oil Packing (wick)
249742	18229	" " Spring
249943	18229	" " " Cover
200083D	18229	" " " " Screw (3)
871C	18229	" " " Stop Screw
249713	18229	" " " " " Block with 457C
457C	18229	" " " " " " Set Screw
249922	18251	" Lever
50416C	18251	" " Hinge Screw
2102	18253	Tension (side of arm) Disc (2)
1560C	18253	" " " " " Regulating Thumb Nut
23519	18253	" " " " " Releaser with 200F
40033	18254	" " " " " Arm with 50128E
12538	18254	" " " " " Pin
50128E	18254	" " " " " " Set Screw
40051	18254	" " " " " Lever with 641C
40052	18254	" " " " " " Lock Pin
1352C	18254	" " " " " " " " "
		Screw Bushing
40053	18254	Tension (side of arm) Releaser Lever Lock Pin Spring
2117C	18254	Tension (side of arm) Releaser Lever Pin
641C	18254	" " " " " " Set Screw
249880	18254	Tension (side of arm) Releaser Lever Shaft
40067	18254	Tension (side of arm) Releaser Lever Shaft Bracket
966D	18254	Tension (side of arm) Releaser Lever Shaft Bracket Screw (3)
249843	18254	Tension (side of arm) Releaser Lever Spring

No.	Plate	Name
1241E	18254	Tension (side of arm) Releaser Lever Spring Screw Stud (2)
717C	18254	Tension (side of arm) Releaser Lever Stop Screw
1520J	18254	Tension (side of arm) Releaser Lever Stop Screw Nut
1469C	18229	Tension (side of arm) Releaser Lever Stop Screw Stud
200F	18253	Tension (side of arm) Releaser Set Screw
23520	18253	" " " " " Shaft
40034	18253	" " " " " " Crank
679C	18253	" " " " " " " Ball Screw Stud
1520J	18253	Tension (side of arm) Releaser Shaft Crank Ball Screw Stud Nut
2269	18253	Tension (side of arm) Releaser Shaft Crank Pin
1043C	18253	Tension (side of arm) Screw Stud
350060C	18253	" " " " " " Set Screw
2103	18253	" " " " " Spring
32012	18232	" (top cover) Disc (2)
1560C	18232	" " " Regulating Thumb Nut
249685	18232	" " " Releaser
1387C	18232	" " " " " Guide Screw Stud
1521E	18232	" " " " " " " Nut
249686	18232	" " " " " Holder with 201F
999F	18232	" " " " " Hinge Screw
201F	18232	" " " " " Set Screw
32572	18232	" " " Releasing Disc
39633	18232	" " " " " Lever
249688	18232	" " " " " " Connection
974F	18232	" " " " " " " Screw
		(back)
940F	18232	Tension (top cover) Releasing Lever Con- nection Screw (front)
90C	18232	Tension (top cover) Releasing Lever Hinge Screw
39635	18232	Tension (top cover) Releasing Pin
1388C	18232	" " " " " Screw Stud
1664E	18232	" " " " " " Nut
2103	18232	" " " " " Spring
39636	18232	" " " " " Thread Eyelet (double)
217F	18232	" " " " " " " Screw
40035	18248	Thread (lower) Cutting Blade
40036	18248	" " " " " " Carrier with 40038
40037	18254	Thread (lower) Cutting Blade Carrier Lever
32C	18254	Thread (lower) Cutting Blade Carrier Lever Hinge Screw

No.	Plate	Name
249534	18254	Thread (lower) Cutting Blade Carrier Lever Spring
1241E	18254	Thread (lower) Cutting Blade Carrier Lever Spring Screw Stud (2)
435C	18254	Thread (lower) Cutting Blade Carrier Lever Stop Screw
1520J	18254	Thread (lower) Cutting Blade Carrier Lever Stop Screw Nut
40038	18248	Thread (lower) Cutting Blade Carrier Stud
39646	18248	" " " " Friction Plate
228F	18248	Thread (lower) Cutting Blade Friction Plate Screw (2)
240D	18248	Thread (lower) Cutting Blade Screw (2)
249831	18254	" " " " Lever
1351C	18254	" " " " Ball Screw
1520J	18254	" " " " " Nut
249871	18254	" " " " Extension
350246C	18254	" " " " Hinge Screw
1521E	18254	Thread (lower) Cutting Lever Extension Hinge Screw Nut
249916	18254	Thread (lower) Cutting Lever Extension Spring
996E	18254	Thread (lower) Cutting Lever Extension Spring Screw Stud
249845	18248	Thread (lower) Pull-off Finger
106C	18248	" " " " Guide Screw
1350C	18248	" " " " Hinge Screw
39728	18247	" (upper) Clamping Blade
39729	18247	" " Cutting Blade
39610	18247	" " " " Connecting Rod
106C	18247	" " " " " "
		Hinge Screw
40136	18247	Thread (upper) Cutting Blade Connecting Rod Latch
40124	18247	Thread (upper) Cutting Blade Connecting Rod Latch Block with 237F
2273	18247	Thread (upper) Cutting Blade Connecting Rod Latch Block Pin
40125	18247	Thread (upper) Cutting Blade Connecting Rod Latch Block Plate (adjustable)
217E	18247	Thread (upper) Cutting Blade Connecting Rod Latch Block Plate Screw
237F	18247	Thread (upper) Cutting Blade Connecting Rod Latch Block Set Screw
40045	18247	Thread (upper) Cutting Blade Connecting Rod Latch Block Washer (rawhide)

No.	Plate	Name
40126	18247	Thread (upper) Cutting Blade Connecting Rod Latch Block complete, Nos. 217E, 40124 and 40125
39861	18247	Thread (upper) Cutting Blade Connecting Rod Latch Hinge Bracket
40137	18247	Thread (upper) Cutting Blade Connecting Rod Latch Hinge Bracket Plate
176D	18247	Thread (upper) Cutting Blade Connecting Rod Latch Hinge Bracket Plate Screw (2)
7071	18247	Thread (upper) Cutting Blade Connecting Rod Latch Hinge Bracket Plate Screw Washer (2)
207C	18247	Thread (upper) Cutting Blade Connecting Rod Latch Hinge Bracket Screw
201289C	18247	Thread (upper) Cutting Blade Connecting Rod Latch Hinge Screw
40127	18254	Thread (upper) Cutting Blade Connecting Rod Latch Lifting Arm
249917	18254	Thread (upper) Cutting Blade Connecting Rod Latch Lifting Arm Spring
249878	18254	Thread (upper) Cutting Blade Connecting Rod Latch Lifting Arm Stud
1521E	18254	Thread (upper) Cutting Blade Connecting Rod Latch Lifting Arm Stud Nut
249930	18254	Thread (upper) Cutting Blade Connecting Rod Latch Lifting Lever
350287C	18254	Thread (upper) Cutting Blade Connecting Rod Latch Lifting Lever Screw
39541	18254	Thread (upper) Cutting Blade Connecting Rod Latch Lifting Lever Screw Washer
39862	18247	Thread (upper) Cutting Blade Connecting Rod Latch Spring
233D	18247	Thread (upper) Cutting Blade Connecting Rod Latch Spring Screw
23606	18247	Thread (upper) Cutting Blade Connecting Rod Spring
249978	18247	Thread (upper) Cutting Blade Connecting Rod Spring Bracket
40047	18247	Thread (upper) Cutting Blade Connecting Rod Spring Collar with 646F
646F	18247	Thread (upper) Cutting Blade Connecting Rod Spring Collar Set Screw
21699	18247	Thread (upper) Cutting Blade Position Pin
219F	18247	" " " " Screw
40049	18247	" " " " Shaft with 21699
40050	18247	Thread (upper) Cutting Blade Shaft Crank with 906C
2269	18247	Thread (upper) Cutting Blade Shaft Crank Pin

No.	Plate	Name
906C	18247	Thread (upper) Cutting Blade Shaft Crank Set Screw
249979	18254	Thread (upper) Cutting Lock (lower section)
249980	18254	Thread (upper) Cutting Lock (upper section)
90C	18254	Thread (upper) Cutting Lock Hinge Screw
203E	18254	" " " " Screw
249981	18254	Thread (upper) Cutting Lock complete, Nos. 249979, 249980 and two 203E
249779	18247	Thread (upper) End Cutting Block with 175E (adjustable)
175E	18247	Thread (upper) End Cutting Block Set Screw
249982	18255	Thread (upper) End Cutting Lever
249983	18255	" " " " " Bracket
690E	18255	" " " " " Screw
50416C	18255	" " " " " Hinge Screw
249882	18255	Thread (upper) End Cutting Lever Link
201431C	18255	" " " " " Hinge Screw (2)
249782	18250	Thread (upper) End Cutting Lever Operating Cam (adjustable) with 249784
40128	18250	Thread (upper) End Cutting Lever Operating Cam Position Collar with 450C and 453C
450C	18250	Thread (upper) End Cutting Lever Operating Cam Position Collar Position Screw
453C	18250	Thread (upper) End Cutting Lever Operating Cam Position Collar Set Screw
249784	18250	Thread (upper) End Cutting Lever Operating Cam Position Pin
249785	18250	Thread (upper) End Cutting Lever Operating Cam Spring
249786	18255	Thread (upper) End Cutting Lever Operating Lever
50416C	18255	Thread (upper) End Cutting Lever Operating Lever Hinge Screw
249787	18255	Thread (upper) End Cutting Lever Spring
219E	18255	" " " " " Screw
7071	18255	Thread (upper) End Cutting Lever Spring Screw Washer
249692	18253	Thread (upper) Guide
228D	18253	" " " Screw (2)
23669	18253	" Guide (side of arm) (lower)
460C	18253	" " " " " Set Screw
39711	18253	" Guiding Stud (side of arm)

No.	Plate	Name
460C	18253	Thread Guiding Stud (side of arm) Set Screw
39712	18232	Thread Retainer Holder with 462C
1664E	18232	" " " Nut
12400	18232	" " Sleeve
39713	18232	" " Spring
12402	18232	" " Stud
462C	18232	" " " Set Screw
39714	18232	Thread Retainer complete, Nos. 1664E, 12400, 12402, 39712 and 39713
23523	18252	Thread Take-up Crank
1036C	18220	" " " Position Screw
1258C	18220	" " " Set Screw
23524	18252	" " Lever
12166	18252	" " " Hinge Pin
23543	18252	" " " Link
249915	18252	" " " Hinge Pin with 222598
222598	18252	Thread Take-up Lever Link Hinge Pin Oil Packing (wick)
435C	18252	Thread Take-up Lever Link Hinge Pin Set Screw
4784	18252	Thread Take-up Lever Oil Pad
23525	18252	Thread Take-up Lever complete, Nos. 12166, 23524 and 23543
39652	18253	Thread Take-up Spring
39950	18253	" " " Regulator with 350060C
446C	18253	Thread Take-up Spring Regulator Set Screw

Genuine Singer Needles should be used  
in Singer Machines.  
These Needles and their Containers  
are marked with the  
Company's Trade Mark "SIMANCO." 1

Needles in Containers marked  
"For Singer Machines"  
are not Singer made needles. 2

## ACCESSORIES

No.	Plate	Name
40138	18256	Gauge (for setting length of tack) with 249789 and 200137H
249789	18256	Gauge Chain and Ring
200137H	18256	" " " " Screw
40108	18256	Guide
1238F	18256	" Screw
71 x 1	18252	Needles, three each, sizes 16 and 18
23500	18200	Shuttle Bobbin (5)
249682	18225	Stitch Regulating Gear, 30 teeth
249725	18225	" " " 36 teeth
249744	18225	" " " 45 teeth
40035	18248	Thread (lower) Cutting Blade
39728	18247	" (upper) Clamping Blade
39729	18247	" " Cutting Blade
23527	18234	Drip Pan, with two wood screws 1/2 in., No. 5, R.H.B.
120346	18256	Oiler (copper plated) with 120347
120347	18256	" Spout 8-1/2 in. long
11831	18256	Screw Driver, 5 in. blade (machine, large)
*120088	-----	" " Blade
*120090	-----	" " Handle
26026	18256	" " (machine, small) Nos. 120088 and 120090
*250521	-----	Screw Driver Blade
*225483	-----	" " Handle
250522	18256	Screw Driver (for needle set screw) complete, Nos. 225483 and 250521
249746	18256	Screw Driver, for Needle Bar Connecting Stud Set Screw
255513	18256	Tweezers
21654	18256	Wrench
23535	18256	"
249820	18256	"
249945	18256	"
255540	18256	"
255541	18256	"

## BED EXTENSION

No.	Plate	Name
40062	18243	Plate with 436C
436C	18243	Set Screw
40063	18243	Shaft
436C	18243	" Set Screw
40064	18243	Stand with 436C
40065	18243	Bed Extension complete, Nos. 40062 to 40064 and three wood screws 1-1/4 in., No. 12, R.H.B. (2)

## BOBBIN WINDER

(SWINGING AUTOMATIC, RIGHT HAND)

249714	18236	Base with 27916 and two 28084
15072	18236	Bobbin Position Pin
27916	18236	Brake (leather)
28084	18236	" Rivet
249715	18236	Frame
50356D	18236	" Hinge Screw
1620J	18236	" " " Nut
249716	18236	" Spring
27918	18236	Pulley
*27849	-----	Spindle
27538	18236	" 27849 with 15072, 27850 and 41828
*27850	-----	" Collar
41828	18236	" " Pin
249938	18236	Stop Latch
35D	18236	" " Hinge Screw
10249	18236	" " Spring
203E	18236	" " " Screw
7071	18236	" " " " Washer
249696	18236	Tension Bracket with 452C
249697	18236	Tension Bracket complete, Nos. 1620J, 5989, 10145, 27922, 249693 and 249696
2455	18236	Tension Disc
1562J	18236	" Regulating Thumb Nut
418D	18236	" Screw Stud
10141	18236	" Spring
10145	18236	" Thread Guide
5989	18236	Tension complete, Nos. 418D, 1562J, 10141 and two 2455
27922	18236	Thread Eyelet Rod
452C	18236	" " " Set Screw

## ACCESSORIES

No.	Plate	Name
249693	18236	Thread Leader
1620J	18236	" " Lock Nut
249939	18236	Bobbin Winder complete, Nos. 35D, 203F, 1620J 7071, 10249, 27538, 27918, 50356D, 249714 to 249716 and 249938

## IRON BASE

249721	18234	Bed Frame with two each 16555, 19398, four each 158E, 24106, six 14010 and four wood wood screws 1-1/4 in., No. 12
24106	18234	Bed Frame Cushion (felt)
158E	18234	" " " Screw
19226	18234	" " Hinge Connection
19398	18234	" " " " 19226 with 211E and 19397
19397	18234	Bed Frame Hinge Connection Cap
211E	18234	" " " " " Screw
16555	18234	" " " Plate
14010	18234	" " " " Rivet
150481	18234	Idler Pulley
249940	18234	" " Bracket with 443C
949E	18234	" " " Screw
126150	18234	" " " " Lock Washer
249941	18234	Idler Pulley Bracket complete, Nos. 150496 and 249940
150482	18234	Idler Pulley Shaft
150483	18234	" " " Ball Bearing
150484	18234	" " " " Cover
150485	18234	" " " " " Gasket (cork)
330R	18234	Idler Pulley Shaft Ball Bearing Cover Screw
144D	18234	Idler Pulley Shaft Screw
443C	18234	" " " Set Screw
150496	18234	Idler Pulley and Shaft complete, Nos. 144D, 150481 to 150485 and four 330R
249722	18234	Splash Guard with 201655J
39912	18234	" " Hinge
200574E	18234	" " " Screw
201655J	18234	" " Locking Screw Wing Nut
249723	18234	Bed Frame and Splash Guard complete, Nos. 949E, 126150, 249721, 249722, 249941, two 39912 and eight 200574E

## THREAD UNWINDER

No.	Plate	Name
225257	17900	Spool Rest (for two spools) (flat) with 201018C
150203	17900	Spool Rest Cushion (felt)
225388	17900	" " Rod
200383C	17900	" " " Set Screw
201018C	17900	" " Set Screw
202490	17900	" Stand with 200383C
225391	17900	Thread Guide
201696J	17900	" " Lock Nut
225326	17900	" " Position Cup
225324	17900	" " Rod with 208E and 225322
208E	17900	" " " Screw
225322	17900	" " " Washer
225258	17900	Thread Unwinder (for two spools) complete, Nos. 201696J, 202490, 225257, 225324, 225326, 225388, two each 150203, 225391 and three wood screws 7/8 in., No. 12

## DRIVING EQUIPMENT

228320	18235	Bed Frame Cushion (felt)
228321	18235	Belt Idler Belt Guide with 361C
361C	18235	" " " " Set Screw
228322	18235	" " Pulley with 228325
228323	18235	" " " Bracket with three 355C
355C	18235	" " " " Set Screw
126910	18235	" " " " Shaft
228324	18235	" " " " Hanger with two 355C and three wood screws 1 in., No. 12
355C	18235	Belt Idler Pulley Bracket Shaft Set Screw
228325	18235	" " " Bushing
228326	18235	" " " Shaft with 858C and 203100
203100	18235	Belt Idler Pulley Shaft Oil Packing (wick)
858C	18235	" " " " " Stop Screw
355C	18235	" " " " Set Screw
228327	18235	" " " Washer (rawhide)
228328	18235	Belt Idler complete, Nos. 126910, 228324, two each 228321 to 228323, 228326, four 228327 and Form All27

## ACCESSORIES

No.	Plate	Name
228330	18235	Clamp Lifting Chain, 46 in. long with 39575 and 39576
39571	18235	Clamp Lifting Chain Guide Pulley
236789	18235	" " " " " Bracket
1064D	18235	" " " " " Hinge Screw
236790	18235	Clamp Lifting Chain Guide Pulley Bracket complete, Nos. 1064D, 39571, 236789 and two wood screws 1-1/4 in., No. 12, R.H.B.
39575	18235	Clamp Lifting Chain Hook (large)
39576	18235	" " " " (small)
23551	18235	" " " Screw Eye
234344	18235	Front Plank Extension (front) with two wood screws 2-1/4 in., No. 12 and three wood screws 1-3/4 in., No. 12
250408	18235	Machine Rest (high) with 232982 and two wood screws 1 in., No. 12
232982	18235	Machine Rest Cushion (leather)
228333	18235	Starting Chain Cushion Spring
39575	18235	" " " Hook (large)
39576	18235	" " " (small)
23551	18235	" " " Screw Eye
228347	18235	" " (lower) (10-1/2 in. long)
228348	18235	" " (upper) (15-1/2 in. long)
228349	18235	Starting Chain complete, Nos. 228333, 228347, 228348, two each 39575 and 39576
14372	18235	Treadle
14373	18235	" Extension
50581R	18235	" " " Screw
2718R	18235	" " " Washer
17881	18235	" Shaft
14374	18235	" Spring
14375	18235	" Stand
14376	18235	Treadle complete, Nos. 2718R, 14372 to 14375, 17881, 50581R and two wood screws 1-1/4 in., No. 12, F.H.
228354	18235	Driving Equipment, less shaft pulley, complete, Nos. 228328, 228330, 228349, 234344, 250408, two each 14376, 23551, four each 228320 and 236790

## MISCELLANEOUS PARTS

60913	17900	Spool Weight with 60914
60914	17900	" " " Center Pin
225377	17900	" Wire, for small spools
27739	17900	Thread Cone (wood)
225390	17900	" " " Holder

NUMERICAL  
LIST  
OF PARTS

## NUMERICAL LIST OF PARTS

---

No.	Plate	Name
32C	18254	Thread (lower) Cutting Blade Carrier Lever Hinge Screw
35D	18236	Bobbin Winder Stop Latch Hinge Screw, for 249939
41C	18254	Clamp Lifting Arm Connection Hinge Screw
52C	18251	" Carrier Connecting Rod Hinge Screw
59D	18255	Sewing Safety Lock Hinge Screw
61C	18229	Starting Lever Rod Hinge Screw
90D	18255	Feed Hand Ratchet Lever Pawl Hinge Screw, for 249914
90C	18232	Tension (top cover) Releasing Lever Hinge Screw
90C	18254	Thread (upper) Cutting Lock Hinge Screw
95C	18255	Stitch Regulating Gear Disengaging Slide Operating Screw
99C	18255	Stitch Regulating Gear Disengaging Slide Screw
106C	18248	Thread (lower) Pull-off Finger Guide Screw
106C	18247	Thread (upper) Cutting Blade Connecting Rod Hinge Screw
123F	18229	Starting Lever Bracket Screw
124F	18229	" " Stop Screw
129E	18225	Needle Bar Frame Driving Gear (intermedi- ate) Bracket Screw
144D	18234	Idler Pulley Shaft Screw, for 150496
145F	18200	Shuttle Race Screw
157F	18254	Clamp Lifting Arm Connection Roller and Screw Stud Bracket Screw
158E	18234	Bed Frame Cushion Screw, for 249721
158E	18255	Belt Shifter Shaft Bracket Extension Screw
158E	18255	Stitch Regulating Gear Disengaging Slide Bracket Screw
160H	18255	Feed Hand Ratchet Lever Extension Handle Screw, for 249914
161D	18236	Bobbin Winder Base Screw
161D	18249	Feed Driving Gear (intermediate) Pinion Shaft Eccentric Bushing Position Plate Screw
161D	18225	Needle Vibrating Controlling Block Screw
164D	18229	Stop Cam Gear Guard Screw
175E	18247	Thread (upper) End Cutting Block Set Screw, for 249779

## NUMERICAL LIST OF PARTS

No.	Plate	Name
176D	18247	Thread (upper) Cutting Blade Connecting Rod Latch Hinge Bracket Plate Screw
184E	18251	Feed Wheel Tripping Lever Stop Screw
190D	18232	Arm Side Cover Screw
190D	18232	" Top Cover Screw
190D	18219	Face Plate Screw (upper)
190D	18251	Feed Wheel Tripping Lever Spring Screw
190C	18252	Needle Bar Frame Pitman Adjusting Screw, for 23611
190D	18220	Oscillating Shaft Bushing (front) Oil Tube Plate Screw
191D	18255	Belt Shifter Shaft Bracket Stop Screw
191C	18246	Clamp Arm Bracket Screw
191C	18229	Starting Lever Spring Collar Set Screw
194C	18255	Clamp Lifting Arm Connection Lock Stop Plate Support Stud
196F	18246	Clamp Arm Hinge Block Pin Set Screw, for 249955
199D	18247	Clamp Lifting Arm Screw
200F	18253	Tension (side of arm) Releaser Set Screw, for 23519
201F	18232	Tension (top cover) Releaser Set Screw, for 249686
203E	18236	Bobbin Winder Stop Latch Spring Screw, for 249939
203C	18251	Feed Wheel Tripping Lever Point Screw
203E	18200	Shuttle Race Plate Screw, for 249929
203E	18254	Thread (upper) Cutting Lock Screw, for 249981
207F	18246	Clamp Arm Bracket Guide (right) Screw
207C	18247	Thread (upper) Cutting Blade Connecting Rod Latch Hinge Bracket Screw
208D	18232	Needle Vibrating Shaft Guard Screw
208E	17900	Thread Unwinder Thread Guide Rod Screw, for 225324
211E	18234	Bed Frame Hinge Connection Cap Screw, for 19398
217D	18219	Face Plate Screw (lower)
217F	18232	Tension (top cover) Thread Eyelet Screw
217E	18247	Thread (upper) Cutting Blade Connecting Rod Latch Block Plate Screw, for 40126
219F	18246	Clamp Arm Bracket Guide (left) Screw
219F	18247	Thread (upper) Cutting Blade Screw, for 40102
219E	18255	Thread (upper) End Cutting Lever Spring Screw
220D	18251	Feed Wheel Tripping Point Screw, for 40135
223D	18225	Needle Vibrating Slide Operating Plate (adjustable) Screw

## NUMERICAL LIST OF PARTS

No.	Plate	Name
226J	18220	Oscillating Shaft Crank Slide Block Cap Screw, for 24050
228D	18225	Needle Vibrating Slide Operating Plate (stationary) Screw
228F	18248	Thread (lower) Cutting Blade Friction Plate Screw
228D	18253	Thread (upper) Guide Screw
229D	18254	Clamp Lifting Arm Connection Roller Cap Screw, for 1901
229D	18225	Intermittent Feed Wheel Driving Roller Cap Screw, for 351872
233D	18247	Thread (upper) Cutting Blade Connecting Rod Latch Spring Screw
237F	18255	Belt Shifter Shaft Guide Collar Set Screw for 249861
237F	18247	Clamp Check Section and Cutting Plate Screw, for 40101
237F	18247	Thread (upper) Cutting Blade Connecting Rod Latch Block Set Screw, for 40124
240D	18251	Clamp Carrier Regulator Stud Stop Screw, for 249960
240D	18248	Thread (lower) Cutting Blade Screw
244D	18246	Clamp Carrier Guard Screw
303C	18252	Needle Bar Frame Screw Center (lower)
330R	18234	Idler Pulley Shaft Ball Bearing Cover Screw, for 150496
355C	18235	Belt Idler Pulley Bracket Set Screw, for 228323
355C	18235	Belt Idler Pulley Bracket Shaft Set Screw for 228324
355C	18235	Belt Idler Pulley Shaft Set Screw, for 228323
361C	18235	Belt Idler Belt Guide Set Screw, for 228321
399D	18200	Shuttle Bobbin Case Position Plate Screw, for 249929
402D	18246	Clamp Arm Screw
402D	18246	" Plate Support Screw
404D	18251	" Carrier Block Plate Screw, for 40006
404D	18246	" " Plate Screw (front)
404D	18248	Needle Plate Screw
418D	18236	Bobbin Winder Tension Screw Stud, for 5989
435C	18220	Arm Shaft Flanged Bushing (back) Set Screw
435C	18254	Thread (lower) Cutting Blade Carrier Lever Stop Screw
435C	18252	Thread Take-up Lever Link Hinge Pin Set Screw
436C	18243	Bed Extension Set Screw, for 40062
436C	18243	" " Shaft Set Screw, for 40064



## NUMERICAL LIST OF PARTS

No.	Plate	Name
443C	18234	Idler Pulley Shaft Set Screw, for 249940
446C	18252	Needle Bar Frame Regulator Hinge Stud Set Screw
446C	18253	Thread Take-up Spring Regulator Set Screw
446C	18250	Belt Shifter Trip Point Collar Set Screw, for 249869
448C	18250	Feed Driving Gear Set Screw, for 249846
448C	18220	Oscillating Rock Shaft Hinge Pin Set Screw
450C	18250	Thread (upper) End Cutting Lever Operating Cam Position Collar Position Screw, for 40128
452C	18236	Bobbin Winder Thread Eyelet Rod Set Screw for 249696
452C	18225	Needle Vibrating Slide Stop Screw (adjustable) Set Screw, for 249611
453C	18220	Intermittent Feed Wheel Driving Bevel Pinion Set Screw, for 249645
453C	18250	Thread (upper) End Cutting Lever Operating Cam Position Collar Set Screw, for 40128
454C	18220	Pulley (tight) Set Screw, for 249702
457E	18249	Feed Driving Gear (intermediate) Set Screw, for 249965
457C	18229	Stop Cam Spring Stop Screw Block Set Screw, for 249713
458C	18249	Feed Driving Gear (intermediate) Pinion Shaft Collar Set Screw, for 249745
460C	18250	Feed Hand Ratchet Wheel Set Screw, for 39924
460C	18253	Thread Guide (side of arm) (lower) Set Screw
460C	18253	Thread Guiding Stud (side of arm) Set Screw
462C	18220	Shuttle Driver Set Screw, for 23505
462C	18232	Thread Retainer Stud Set Screw, for 39712
564C	18229	Starting Lever Screw Center, for 58384
591F	18200	Shuttle Tension Regulating Screw, for 40112
592E	18200	Shuttle Bobbin Case Latch Stop Screw, for 40112
625F	18246	Clamp Arm Adjusting Screw
641C	18254	Tension (side of arm) Releaser Lever Set Screw, for 40051
646F	18251	Feed Wheel Tripping Lever Screw Stud
646F	18247	Thread (upper) Cutting Blade Connecting Rod Spring Collar Set Screw, for 40047
662D	18200	Shuttle Race Cap Screw, for 249929
673F	18252	Needle Bar Frame Screw Center (upper)

## NUMERICAL LIST OF PARTS

No.	Plate	Name
679C	18253	Tension (side of arm) Releaser Shaft Crank Bell Screw Stud
690D	18254	Clamp Lifting Arm Connection Lock Trip Lever Pinch Screw, for 249760
690E	18255	Thread (upper) End Cutting Lever Bracket Screw
704C	18254	Clamp Lifting Arm Connection Screw, for 249866
717C	18229	Starting Lever Adjusting Screw
717C	18254	Tension (side of arm) Releaser Lever Stop Screw
748E	18219	Arm Screw (back)
756E	18250	Belt Shifter Trip Point Screw, for 249869
756D	18248	Clamp Carrier Guide (left) Screw (long), for 39720
766D	18255	Sewing Safety Lock Pitman Hinge Screw (front)
794E	18252	Needle Bar Connecting Link Adjusting Screw, for 23476
857H	18252	Needle Set Screw, for 40066
858C	18235	Belt Idler Pulley Shaft Oil Stop Screw, for 228326
858C	18220	Needle Bar Crank Set Screw, for 23477
868E	18219	Arm Screw (front)
871C	18229	Stop Cam Spring Stop Screw
896E	18220	Crank Connecting Rod Cap Screw, for 24023
898C	18225	Needle Vibrating Slide Stop Screw (adjustable)
906C	18247	Thread (upper) Cutting Blade Shaft Crank Set Screw, for 40050
907E	18200	Shuttle Race Back Spring Screw, for 249929
908C	18220	Crank Connecting Rod Hinge Screw
913C	18229	Stop Cam Interlocking Rod Spring Regulating Thumb Screw
914F	18248	Clamp Carrier Slide Guide Screw
914F	18255	Sewing Safety Lock Pitman Screw, for 249949
940F	18255	Clamp Lifting Arm Connection Lock Hinge Screw
940F	18232	Tension (top cover) Releasing Lever Connection Screw (front)
949E	18234	Idler Pulley Bracket Screw, for 249723
966D	18254	Tension (side of arm) Releaser Lever Shaft Bracket Screw
974F	18232	Tension (top cover) Releasing Lever Connection Screw (back)
996E	18254	Thread (lower) Cutting Lever Extension Spring Screw Stud
999F	18232	Tension (top cover) Releaser Holder Hinge Screw
1021E	18252	Needle Bar Connecting Link Cap Screw

## NUMERICAL LIST OF PARTS

No.	Plate	Name
1034F	18232	Intermittent Feed Wheel Driving Roller Oiling Felt Holder Screw
1035C	18220	Oscillating Shaft Crank Slide Block Screw Stud, for 24050
1036C	18220	Thread Take-up Crank Position Screw, for 23477
1038C	18252	Needle Bar Frame Regulator Adjusting Screw
1042C	18252	Needle Bar Frame Pitman Hinge Screw
1043C	18253	Tension (side of arm) Screw Stud
1064D	18235	Clamp Lifting Chain Guide Pulley Hinge Screw, for 236790
1065C	18220	Needle Bar Crank Position Screw, for 23477
1069D	18220	Arm Shaft Screw
1070C	18229	Stop Cam Interlocking Rod Guide Set Screw for 249709
1149C	18225	Needle Bar Frame Driving Gear (intermediate) Stud Set Screw, for 249669
1178C	18249	Feed Driving Gear (intermediate) Bracket Position Lever Clamping Screw
1230F	18248	Clamp Carrier Guide (right) Screw, for 39720
1231F	18246	Clamp Carrier Plate Screw (back)
1232C	18251	" " Regulator Hinge Screw
1235F	18219	Bed Oil Guard Screw
1235F	18248	Clamp Plate Screw
1238F	18256	Guide Screw
1241E	18254	Tension (side of arm) Releaser Lever Spring Screw Stud
1241E	18254	Thread (lower) Cutting Blade Carrier Lever Spring Screw Stud
1253C	18220	Oscillating Shaft Crank Set Screw, for 39658
1258C	18220	Thread Take-up Crank Set Screw, for 23477
1294C	18246	Clamp Spring Bushing Position Stud
1297C	18247	" Check Screw
1341C	18252	Needle Bar Connecting Stud Set Screw, for 39601
1345D	18248	Clamp Carrier Guide (left) Screw (short), for 39720
1346D	18248	Clamp Carrier Holder Screw
1348E	18247	" Check Section and Cutting Plate Support Stud, for 40101
1350C	18248	Thread (lower) Pull-off Finger Hinge Screw
1351C	18254	Thread (lower) Cutting Lever Ball Screw
1352C	18254	Tension (side of arm) Releaser Lever Lock Pin Screw Bushing
1387C	18232	Tension (top cover) Releaser Guide Screw Stud

## NUMERICAL LIST OF PARTS

No.	Plate	Name
1388C	18232	Tension (top cover) Screw Stud
1396E	18225	Intermittent Feed Wheel Driving Bevel Gear Bracket Screw
1449H	18255	Feed Hand Ratchet Lever Pawl Spring Screw, for 249914
1469C	18229	Tension (side of arm) Releaser Lever Stop Screw Stud
1508E	18229	Starting Lever Screw Center Nut, for 58384
1517J	18252	Needle Bar Frame Screw Center (upper) Nut
1518J	18229	Starting Lever Stop Screw Nut
1520J	18251	Clamp Carrier Regulator Roller and Screw Stud Nut, for 1960
1520J	18254	Clamp Lifting Arm Connection Hinge Screw Nut
1520J	18229	Starting Lever Adjusting Screw Nut
1520J	18254	Tension (side of arm) Releaser Lever Stop Screw Nut
1520J	18253	Tension (side of arm) Releaser Shaft Crank Ball Screw Stud Nut
1520J	18254	Thread (lower) Cutting Blade Carrier Lever Stop Screw Nut
1520J	18254	Thread (lower) Cutting Lever Ball Screw Nut
1521E	18232	Tension (top cover) Releaser Guide Screw Stud Nut
1521E	18254	Thread (lower) Cutting Lever Extension Hinge Screw Nut
1521E	18254	Thread (upper) Cutting Blade Connecting Rod Latch Lifting Arm Stud Nut
1547J	18246	Clamp Arm Adjusting Screw Nut
1547J	18252	Needle Bar Frame Pitman Hinge Screw Nut
1550J	18246	Clamp Spring Bushing Position Stud Nut
1560C	18253	Tension (side of arm) Regulating Thumb Nut
1560C	18232	" (top cover) Regulating Thumb Nut
1562J	18236	Bobbin Winder Tension Regulating Thumb Nut for 5989
1607E	18225	Needle Vibrating Slide Operating Plate Adjusting Screw Nut
1608C	18252	Needle Bar Frame Screw Center (lower) Nut
1619E	18220	Crank Connecting Rod Hinge Screw Nut
1620J	18236	Bobbin Winder Frame Hinge Screw Nut, for 249939
1620J	18236	Bobbin Winder Thread Leader Lock Nut, for 249697
1620E	18251	Feed Wheel Tripping Lever Hinge Screw Nut
1636E	18220	Oscillating Shaft Crank Slide Block Screw Stud Nut, for 39658
1638E	18229	Stop Cam Interlocking Rod Spring Regulating Thumb Screw Nut
1659C	18246	Clamp Pressure Regulating Thumb Nut

## NUMERICAL LIST OF PARTS

No.	Plate	Name
1664E	18232	Tension (top cover) Screw Stud Nut
1664E	18232	Thread Retainer Holder Nut, for 39714
1671C	18251	Clamp Carrier Regulator Stud Nut
1698C	18252	Needle Bar Frame Regulator Adjusting Screw Nut
1901	18254	Clamp Lifting Arm Connection Roller and Screw Stud with 229D and 12424
1960	18251	Clamp Carrier Regulator Roller and Screw Stud with 1520J, for 249960
2102	18253	Tension (side of arm) Disc
2103	18253	" " " " Spring
2103	18232	" (top cover) Spring
2117C	18254	" (side of arm) Releaser Lever Pin
2269	18255	Belt Shifter Shaft Guide Collar Position Pin
2269	18220	Shuttle Driver Pin
2269	18253	Tension (side of arm) Releaser Shaft Crank Pin
2269	18247	Thread (upper) Cutting Blade Shaft Crank Pin, for 40102
2273	18247	Thread (upper) Cutting Blade Connecting Rod Latch Block Pin
2455	18236	Bobbin Winder Tension Disc, for 5989
2523	18200	Shuttle Bobbin Case Position Finger Rivet for 40112
2532	18200	Shuttle Race Back Position Pin, for 249929
2533	18200	" " " Spring, for 249929
2718R	18235	Treadle Extension Washer, for 249929
2973	18200	Shuttle Bobbin Case Latch Lever, for 15141
2974	18200	" " " " Fulcrum Pin for 15141
2975	18200	Shuttle Bobbin Case Latch Spring, for 40112
3012	18250	Feed Hand Ratchet Wheel Pin
4784	18220	Oscillating Rock Shaft Oil Pad, for 39654
4784	18252	Thread Take-up Lever Oil Pad, for 23478
5989	18236	Bobbin Winder Tension complete, Nos. 418D, 1562J, 10141, and two 2455, for 249697
7070	18252	Needle Bar Frame Regulator Adjusting Screw Sleeve
7071	18236	Bobbin Winder Stop Latch Spring Screw, Washer, for 249939
7071	18252	Needle Bar Frame Pitman Adjusting Screw Washer, for 23611
7071	18247	Thread (upper) Cutting Blade Connecting Rod Latch Hinge Bracket Plate Screw Washer
7071	18255	Thread (upper) End Cutting Lever Spring Screw Washer
7326	18200	Shuttle Race Cap, for 249929

## NUMERICAL LIST OF PARTS

No.	Plate	Name
8582	18219	Arm Dowel Pin
8582	18229	Starting Lever Bracket Dowel Pin
8800	18225	Needle Vibrating Controlling Block Screw Washer
10141	18236	Bobbin Winder Tension Spring, for 5989
10145	18236	" " " Thread Guide, for 249697
10249	18236	Bobbin Winder Stop Latch Spring, for 249939
11831	18256	Screw Driver, 5 in. blade (machine, large)
12166	18252	Thread Take-up Lever Hinge Pin, for 23525
12400	18232	" Retainer Sleeve, for 39714
12402	18232	" " Stud, for 39714
12424	18254	Clamp Lifting Arm Connection Roller Cap Screw Washer, for 1901
12424	18220	Oscillating Shaft Crank Slide Block Cap Screw Washer, for 24050
12538	18254	Tension (side of arm) Releaser Arm Pin
12546	18225	Intermittent Feed Wheel Position Pin, for 249946
12546	18225	Needle Vibrating Gear Position Pin
14010	18234	Bed Frame Hinge Plate Rivet, for 249721 Nos. 14372 to 14375, for 14376
14372	18235	Treadle
14373	18235	" Extension
14374	18235	" Spring
14375	18235	" Stand
14376	18235	Treadle complete, Nos. 2718R, 14372, to 14375 17881, 50581R and two wood screws 1-1/4 in., No. 12, F.H., for 228354
15072	18236	Bobbin Winder Bobbin Position Pin, for 27538
15140	18200	Shuttle Bobbin Case Latch, for 15141
15141	18200	" " " Hinge, Nos. 2973, 2974 and 15140, for 40112
15278	18200	Shuttle Tension Spring, for 40112
16555	18234	Bed Frame Hinge Plate, for 249721
17881	18235	Treadle Shaft, for 14376
19226	18234	Bed Frame Hinge Connection, for 19398
19397	18234	" " " " Cap, for 19398
19398	18234	" " " " 19226 with 211E and 19397, for 249721
19448	18220	Oscillating Shaft Crank Slide Block, for 24050
21651	18229	Stop Cam Interlocking Rod Spring
21654	18256	Wrench
21699	18247	Thread (upper) Cutting Blade Position Pin for 40049
23380	18246	Clamp Arm Hinge Block Pin
23384	18251	" Carrier Connecting Rod

## NUMERICAL LIST OF PARTS

No.	Plate	Name
23389	18225	Intermittent Feed Wheel Driving Roller Cap Screw Washer, for 351872
23390	18254	Clamp Lifting Arm Connection Screw Washer, for 249866
23392	18248	Clamp Carrier Slide Guide (left)
23393	18248	" " " " (right)
23421	18220	Oscillating Rock Shaft Hinge Pin Oil Hole Plug (leather), for 23494
23435	18251	Feed Wheel Tripping Lever Spring
23476	18252	Needle Bar Connecting Link with 794E
23477	18220	" " Crank with 858C, 1036C, 1065C and 1258C
23478	18252	Needle Bar Frame with 4784
23494	18220	Oscillating Rock Shaft Hinge Pin with 23421, for 39654
23500	18200	Shuttle Bobbin, for 40029
23505	18220	" Driver with 462C
23511	18229	Starting Lever Rod
23519	18253	Tension (side of arm) Releaser with 200F
23520	18253	" " " " " Shaft
23523	18252	Thread Take-up Crank
23524	18252	" " Lever, for 23525
23525	18252	Thread Take-up Lever complete, Nos. 12166, 23524 and 23543
23527	18234	Drip Pan, with two wood screws 1/2 in., No. 5, R.H.B.
23535	18256	Wrench
23543	18252	Thread Take-up Lever Link, for 23525
23551	18235	Clamp Lifting Chain Screw Eye, for 228354
23551	18235	Starting Chain Screw Eye, for 228354
23554	18254	Belt Shifter Shaft Bracket Spring
23574	18246	Clamp Post
23606	18247	Thread (upper) Cutting Blade Connecting Rod Spring
23609	18252	Needle Bar Frame Pitman (regulator end), for 23611
23610	18252	Needle Bar Frame Pitman (hinge screw end) for 23611
23611	18252	Needle Bar Frame Pitman (adjustable) com- plete, Nos. 23609, 23610, two each 190C and 7071
23624	18229	Starting Lever Spring
23669	18253	Thread Guide (side of arm) (lower)
23693	18246	Clamp Spring Bushing
24028	18220	Crank Connecting Rod with 24085 and two 896E
24047	18220	Oscillating Shaft Bushing (front)

## NUMERICAL LIST OF PARTS

No.	Plate	Name
24050	18220	Oscillating Shaft Crank Slide Block com- plete, Nos. 226J, 1035C, 12424 and 19448, for 39658
*24081	-----	Arm Shaft Bushing (front), for 249601
*24085	-----	Crank Connecting Rod Cap, for 24028
24106	18234	Bed Frame Cushion (felt), for 249721
26026	18256	Screw Driver (machine, small) Nos. 120088 and 120090
27538	18236	Bobbin Winder Spindle 27849 with 15072, 27850 and 41828, for 249939
27739	17900	Thread Unwinder Thread Cone (wood)
*27849	-----	Bobbin Winder Spindle, for 27538
*27850	-----	" " " Collar, for 27538
27916	18236	" " Brake (leather), for 249714
27918	18236	" " Pulley, for 249939
27922	18236	" " Thread Eyelet Rod, for 249697
28084	18236	" " Brake Rivet, for 249714
32012	18232	Tension (top cover) Disc
32572	18232	" " " Releasing Disc
39504	18252	Needle Bar Frame Regulator Adjusting Screw Washer
39514	18246	Clamp Spring
39532	18251	" Carrier Regulator Stud Sleeve
39539	18247	" Arm
39541	18246	" " Bracket Screw Washer
39541	18254	" Lifting Arm Connection Roller and Screw Stud Bracket Screw Washer
39541	18255	Sewing Safety Lock Pitman Screw Washer, for 249949
39541	18254	Thread (upper) Cutting Blade Connecting Rod Latch Lifting Lever Screw Washer
39571	18235	Clamp Lifting Chain Guide Pulley, for 236790
39575	18235	Clamp Lifting Chain Hook (large), for 228330
39575	18235	Starting Chain Hook (large), for 228347 and 228348
39576	18235	Clamp Lifting Chain Hook (small), for 228330
39576	18235	Starting Chain Hook (small), for 228347 and 228348
39583	18251	Clamp Carrier Regulator Stud Stop, for 249960
39591	18248	Clamp Carrier Guide (left), for 39720
39601	18252	Needle Bar Connecting Stud with 1341C
39610	18247	Thread (upper) Cutting Blade Connecting Rod
39620	18232	Arm Side Cover
39623	18200	Shuttle Bobbin Case Position Finger, for 40112

## NUMERICAL LIST OF PARTS

No.	Plate	Name
39633	18232	Tension (top cover) Releasing Lever
39635	18232	" " " " Pin
39636	18232	" " " Thread Eyelet (double)
39645	18248	Clamp Carrier Guide (right),for 39720
39646	18248	Thread (lower) Cutting Blade Friction Plate
39652	18253	Thread Take-up Spring
39653	18220	Oscillating Rock Shaft,for 39654
39654	18220	Oscillating Rock Shaft complete,Nos.4784 23494 and 39653
39655	18220	Oscillating Shaft
39656	18220	" " Bushing (back)
39657	18220	" " Crank,for 39658
39658	18220	Oscillating Shaft Crank complete,Nos. 1636E,24050,39657 and two 1253C
39675	18229	Starting Lever Spring Collar with two 191C
39711	18253	Thread Guiding Stud (side of arm)
39712	18232	" Retainer Holder with 462C,for 39714
39713	18232	" " Spring,for 39714
39714	18232	Thread Retainer complete,Nos.1664E,12400, 12402,39712 and 39713
39720	18248	Clamp Carrier Slide with 1345D,39591 and two 756D
39724	18247	Clamp Lifting Arm
39728	18247	Thread (upper) Clamping Blade,for 40102
39729	18247	" " Cutting Blade,for 40102
39861	18247	" " " " Connecting Rod Latch Hinge Bracket
39862	18247	Thread (upper) Cutting Blade Connecting Rod Latch Spring
39882	18255	Belt Shifter Stop Washer (rawhide)
39912	18234	Splash Guard Hinge,for 249723
39924	18250	Feed Hand Ratchet Wheel with 460C
39950	18253	Thread Take-up Spring Regulator with 350060C
39969	18200	Shuttle Race Back,for 249929
39988	18229	Stop Cam Interlocking Rod Guide Washer (rawhide)
40003	18246	Clamp Arm Bracket Guide (left)
40004	18246	" " " " (right)
40006	18251	" Carrier Block with 40007 and four 404D
40007	18251	Clamp Carrier Block Plate,for 40006
40016	18254	" Lifting Arm Connection Roller and Screw Stud Bracket
40020	18246	Clamp Plate
40025	18250	Feed Driving Gear Position Pin
40025	18220	Intermittent Feed Wheel Driving Bevel Pinion Position Pin
40025	18220	Pulley (tight) Pin

## NUMERICAL LIST OF PARTS

No.	Plate	Name
40028	18200	Shuttle Body,for 40029
40029	18200	" 1-11/16 in.diam.Nos.23500,40112 and 40028
40033	18254	Tension (side of arm) Releaser Arm with 50128E
40034	18253	Tension (side of arm) Releaser Shaft Crank
40035	18248	Thread (lower) Cutting Blade
40036	18248	" " " " Carrier with 40038
40037	18254	Thread (lower) Cutting Blade Carrier Lever
40038	18248	Thread (lower) Cutting Blade Carrier Stud for 40036
40045	18247	Thread (upper) Cutting Blade Connecting Rod Latch Block Washer (rawhide)
40047	18247	Thread (upper) Cutting Blade Connecting Rod Spring Collar with 646F
40049	18247	Thread (upper) Cutting Blade Shaft with 21699,for 40102
40050	18247	Thread (upper) Cutting Blade Shaft Crank with 906C,for 40102
40051	18254	Tension (side of arm) Releaser Lever with 641C
40052	18254	Tension (side of arm) Releaser Lever Lock Pin
40053	18254	Tension (side of arm) Releaser Lever Lock Pin Spring
		Nos.40062 to 40064,for 40065
40062	18243	Bed Extension Plate with 436C
40063	18243	" " Shaft
40064	18243	" " Stand with 436C
40065	18243	Bed Extension complete,Nos.40062 to 40064 and three wood screws 1-1/4 in.,No.12, R.H.B.
40066	18252	Needle Bar with 857H
40067	18254	Tension (side of arm) Releaser Lever Shaft Bracket
40101	18247	Clamp Check with 40103 two each 237F and 1348E,for 40102
40102	18247	Clamp Check complete,Nos.219F,2269,39728 39729,40049,40050 and 40101
40103	18247	Clamp Check Section and Cutting Plate,for 40101
40106	18248	Needle Plate
40108	18256	Guide
40112	18200	Shuttle Bobbin Case complete,Nos.591F, 592E,2523,2975,15141,15278 and 39623, for 40029
40122	18225	Needle Vibrating Controlling Block

## NUMERICAL LIST OF PARTS

No.	Plate	Name
40124	18247	Thread (upper) Cutting Blade Connecting Rod Latch Block with 237F, for 40126
40125	18247	Thread (upper) Cutting Blade Connecting Rod Latch Block Plate (adjustable), for 40126
40126	18247	Thread (upper) Cutting Blade Connecting Rod Latch Block complete, Nos. 217E, 40124 and 40125
40127	18254	Thread (upper) Cutting Blade Connecting Rod Latch Lifting Arm
40128	18250	Thread (upper) End Cutting Lever Operating Cam Position Collar with 450C and 453C
40132	18249	Feed Driving Gear (intermediate) (18 teeth)
40133	18249	Feed Driving Gear (intermediate) for swing bracket Screw Washer
40135	18251	Feed Wheel with 249641 and two 220D
40136	18247	Thread (upper) Cutting Blade Connecting Rod Latch
40137	18247	Thread (upper) Cutting Blade Connecting Rod Latch Hinge Bracket Plate
40138	18256	Gauge (for setting length of tack) with 200137H and 249789
40139	18250	Belt Shifter Trip Point Collar 249869 less 23466 and 175E
40140	18250	Feed Wheel Shaft
41828	18236	Bobbin Winder Spindle Collar Pin, for 27538
50128E	18254	Tension (side of arm) Releaser Arm Set Screw, for 40033
50356D	18236	Bobbin Winder Frame Hinge Screw, for 249939
50416C	18251	Stop Lever Hinge Screw
50416C	18255	Thread (upper) End Cutting Lever Hinge Screw
50416C	18255	Thread (upper) End Cutting Lever Operating Lever Hinge Screw
50581R	18235	Treadle Extension Screw, for 14376
51047E	18255	Belt Shifter Shaft Bracket Extension Pinch Screw, for 249858
58384	18229	Starting Lever Screw Center 564C with 1508E
60913	17900	Thread Unwinder Spool Weight with 60914
60914	17900	" " " " Center Pin, for 60913
*120088	-----	Screw Driver Blade, for 26026
*120090	-----	" " Handle, for 26026
120346	18256	Oiler (copper plated) with 120347
120347	18256	" Spout 8-1/2 in. long, for 120346

## NUMERICAL LIST OF PARTS

No.	Plate	Name
126150	18234	Idler Pulley Bracket Screw Lock Washer, for 249723
126910	18235	Belt Idler Pulley Bracket Shaft, for 228328
150203	17900	Thread Unwinder Spool Rest Cushion (felt), for 225258
		Nos. 150481 to 150485, for 150496
150481	18234	Idler Pulley
150482	18234	" " Shaft
150483	18234	" " " Ball Bearing
150484	18234	" " " " " Cover
150485	18234	" " " " " " Gasket (cork)
150496	18234	Idler Pulley and Shaft complete, Nos. 144D, 150481 to 150485 and four 330R
200068H	18225	Needle Bar Frame Driving Gear Screw
200083D	18229	Stop Cam Spring Cover Screw
200137H	18256	Gauge Chain and Ring Screw, for 40138
200383C	17900	Thread Unwinder Spool Rest Rod Set Screw, for 202490
200502B	18220	Arm Shaft Bushing Oil Packing Thumb Screw
200522C	18229	Stop Cam Gear Stud Set Screw
200574E	18234	Splash Guard Hinge Screw, for 249723
200584D	18220	Pulley (loose) Grease Retaining Screw, for 249890
201018C	17900	Thread Unwinder Spool Rest Set Screw, for 225257
201289C	18247	Thread (upper) Cutting Blade Connecting Rod Latch Hinge Screw
201295E	18255	Clamp Lifting Arm Connection Lock Spring Screw Stud
201431C	18255	Thread (upper) End Cutting Lever Link Hinge Screw
201655J	18234	Splash Guard Locking Screw Wing Nut, for 249722
201668E	18250	Feed Wheel Clamping Nut
201696J	17900	Thread Unwinder Thread Guide Lock Nut, for 225258
201713C	18225	Needle Vibrating Shaft Adjusting Lock Nut
201715C	18225	" Bar Frame Driving Gear (intermediate) Clamping Nut
201721C	18225	Stitch Regulating Gear Guide and Lock Nut
201891	18225	Intermittent Feed Wheel Driving Roller, for 351872
202005	18229	Starting Lever Spring Washer
202260	18220	Arm Shaft Bushing Oil Packing (wick)
202330	18229	Stop Cam Oil Packing (wick), for 249705
202490	17900	Thread Unwinder Spool Stand with 200383C, for 225258
203100	18235	Belt Idler Pulley Shaft Oil Packing (wick) for 228326

## NUMERICAL LIST OF PARTS

No.	Plate	Name
222598	18252	Thread Take-up Lever Link Hinge Pin Oil Packing (wick), for 249915
225257	17900	Thread Unwinder Spool Rest (for two spools) (flat) with 201018C, for 225258
225258	17900	Thread Unwinder (for two spools) complete Nos. 201696J, 202490, 225257, 225324, 225326, 225388, two each 150203, 225391 and three wood screws 7/8 in., No. 12
225322	17900	Thread Unwinder Thread Guide Rod Screw Washer, for 225324
225324	17900	Thread Unwinder Thread Guide Rod with 208E and 225322, for 225258
225326	17900	Thread Unwinder Thread Guide Position Cup for 225258
225377	17900	Thread Unwinder Spool Wire, for small spools
225388	17900	Thread Unwinder Spool Rest Rod, for 225258
225390	17900	" " Thread Cone Holder
225391	17900	" " " Guide, for 225258
*225483	-----	Screw Driver Handle, for 250522
228320	18235	Bed Frame Cushion (felt), for 228354 Nos. 228321 to 228324, for 228328
228321	18235	Belt Idler Belt Guide with 361C
228322	18235	" " Pulley with 228325
228323	18235	" " " Bracket with three 355C
228324	18235	" " " Shaft Hanger with two 355C and three wood screws 1 in., No. 12
228325	18235	Belt Idler Pulley Bushing, for 228322
228326	18235	" " " Shaft with 858C and 203100, for 228328
228327	18235	Belt Idler Puller Washer (rawhide), for 228328
228328	18235	Belt Idler complete, Nos. 126910, 228324, two each 228321 to 228323, 228326, four 228327 and Form A1127, for 228354
228330	18235	Clamp Lifting Chain, 46 in. long with 39575 and 39576, for 228354
228333	18235	Starting Chain Cushion Spring, for 228349
228347	18235	" " (lower) (10-1/2 in. long), for 228349
228348	18235	Starting Chain (upper) (15-1/2 in. long), for 228349
228349	18235	Starting Chain complete, Nos. 228333, 228347 228348, two each 39575 and 39576, for 228354
228354	18235	Driving Equipment, less shaft pulley, complete, Nos. 228328, 228330, 228349, 234344 250408, two each 14376, 23551, four each 228320 and 236790

## NUMERICAL LIST OF PARTS

No.	Plate	Name
232065	18255	Clamp Lifting Arm Connection Lock Spring
232131	18249	Feed Driving Gear (intermediate) Swing Bracket Screw Washer
232382	18255	Feed Hand Ratchet Lever Pawl Spring Pin, for 249907
232719	18249	Feed Driving Gear (intermediate) Position Pin
232982	18235	Machine Rest Cushion (leather), for 250408
234344	18235	Front Plank Extension (front) with two wood screws 2-1/4 in., No. 12 and three wood screws 1-3/4 in., No. 12, for 228354
235356	18225	Needle Bar Frame Driving Gear (intermediate) Pin, for 249671
236789	18235	Clamp Lifting Chain Guide Pulley Bracket, for 236790
236790	18235	Clamp Lifting Chain Guide Pulley Bracket complete, Nos. 1064D, 39571, 236789 and two wood screws 1-1/4 in., No. 12, R.H.B. for 228354
249534	18254	Thread (lower) Cutting Blade Carrier Lever Spring
249546	18200	Shuttle Bobbin Case Position Plate, for 249929
*249601	-----	Arm with 24081
249602	18220	" Shaft
249604	18232	" Top Cover (left)
249605	18232	" " " (right)
249611	18225	Needle Vibrating Shaft with 452C
249612	18232	" " " Guard
249613	18225	" " " Slide
249614	18225	" " " Operating Plate (stationary)
249615	18225	Needle Vibrating Slide Operating Rod
249616	18225	" " " " Stud
*249620	-----	Bed
249622	18220	Arm Shaft Flanged Bushing (back)
249631	18219	Face Plate
249640	18251	Feed Wheel Tripping Lever
249641	18251	" " " Point, for 40135
*249642	18225	Intermittent Feed Wheel with two 350249E, for 249946
*249644	18225	Intermittent Feed Wheel Driving Bevel Gear Bracket, for 249944
249645	18220	Intermittent Feed Wheel Driving Bevel Pinion with two 453C
*249646	18225	Intermittent Feed Wheel Shaft, for 249946
249666	18252	Needle Bar Frame Connection
249667	18225	" " " Driving Gear
249668	18252	" " " Regulator Hinge Stud

## NUMERICAL LIST OF PARTS

No.	Plate	Name
249669	18225	Needle Bar Frame Driving Gear (intermediate) Bracket with 1149C
249670	18225	Needle Bar Frame Driving Gear (intermediate) Stud
249671	18225	Needle Bar Frame Driving Gear (intermediate) (large) with 235356
249672	18225	Needle Bar Frame Driving Gear (intermediate) (small)
249673	18252	Needle Bar Frame Regulator
*249674	18225	" Vibrating Gear with two 350249E, for 249946
249675	18225	Stitch Regulating Gear, 18 teeth
249677	18225	" " " 20 teeth
249679	18225	" " " 24 teeth
249682	18225	" " " 30 teeth
249685	18232	Tension (top cover) Releaser
249686	18232	" " " " Holder with 201F
249688	18232	" " " Releasing Lever Connection
249692	18253	Thread (upper) Guide
249693	18236	Bobbin Winder Thread Leader, for 249697
249696	18236	" " Tension Bracket with 452C, for 249697
249697	18236	Bobbin Winder Tension Bracket complete, Nos. 1620J, 5989, 10145, 27922, 249693 and 249696
249702	18220	Pulley (tight) with 454C
249703	18229	Starting Lever
249704	18229	" " Bracket
249705	18229	Stop Cam with two 202330
249706	18229	" " Gear
249707	18229	" " " Guard
249708	18229	" " " Stud
249709	18229	" " Interlocking Rod Guide with 1070C
249713	18229	" " Spring Stop Screw Block with 457C Nos. 249714 to 249716, for 249939
249714	18236	Bobbin Winder Base with 27916 and two 28084
249715	18236	Bobbin Winder Frame
249716	18236	" " " Spring
249721	18234	Bed Frame with two each 16555, 19398, four each 158E, 24106, six 14010 and four wood screws 1-1/4 in., No. 12, for 249723
249722	18234	Splash Guard with 201655J, for 249723
249723	18234	Bed Frame and Splash Guard complete, Nos. 949E, 126150, 249721, 249722, 249941, two 39912 and eight 200574E
249725	18225	Stitch Regulating Gear, 36 teeth

## NUMERICAL LIST OF PARTS

No.	Plate	Name
249727	18225	Stitch Regulating Gear, 40 teeth
249739	18225	" " " Pin
249740	18225	Needle Vibrating Slide Operating Plate (adjustable)
249741	18229	Stop Cam Interlocking Rod
249742	18229	" " Spring
249744	18225	Stitch Regulating Gear, 45 teeth
249745	18249	Feed Driving Gear (intermediate) Pinion Shaft Collar with two 458C
249746	18256	Screw Driver, for Needle Bar Connecting Stud Set Screw
249759	18254	Clamp Lifting Arm Connection (lower section), for 249866
249760	18254	Clamp Lifting Arm Connection Lock Trip Lever with 690D
249779	18247	Thread (upper) End Cutting Block with 175E (adjustable)
249782	18250	Thread (upper) End Cutting Lever Operating Cam (adjustable) with 249784
249784	18250	Thread (upper) End Cutting Lever Operating Cam Position Pin, for 249782
249785	18250	Thread (upper) End Cutting Lever Operating Cam Spring
249786	18255	Thread (upper) End Cutting Lever Operating Lever
249787	18255	Thread (upper) End Cutting Lever Spring
249789	18256	Gauge Chain and Ring, for 40138
249820	18256	Wrench
249831	18254	Thread (lower) Cutting Lever
249843	18254	Tension (side of arm) Releaser Lever Spring
249844	18249	Feed Driving Gear (intermediate) Pinion Shaft Eccentric Bushing Position Plate
249845	18248	Thread (lower) Pull-off Finger
249846	18250	Feed Driving Gear with two 448C
249849	18249	" " " (intermediate) Pinion Shaft Eccentric Bushing
249853	18255	Belt Shifter with 350287C
249854	18255	" " Operating Collar with 350329C
249855	18229	" " " Rod
249856	18255	" " Shaft
249857	18255	" " " Bracket
249858	18255	" " " Extension with 51047E
249860	18255	Belt Shifter Shaft Bracket Stop
249861	18255	" " " Guide Collar with 237F
249862	18255	" " " Spring
249863	18250	" " Trip Point, for 249869
249864	18255	" " " Stud



## NUMERICAL LIST OF PARTS

No.	Plate	Name
249865	18254	Clamp Lifting Arm Connection (upper section), for 249866
249866	18254	Clamp Lifting Arm Connection complete, Nos. 704C, 23390, 249759 and 249865
249867	18255	Clamp Lifting Arm Connection Lock
249868	18251	Feed Wheel Tripping Lever Point
249869	-----	Belt Shifter Trip Point Collar with 175E, 756E, 23466, 249863 and two 448C
249871	18254	Thread (lower) Cutting Lever Extension
249878	18254	" (upper) Cutting Blade Connecting Rod Latch Lifting Arm Stud
249880	18254	Tension (side of arm) Releaser Lever Shaft
249882	18255	Thread (upper) End Cutting Lever Link
249883	18219	Bed Oil Guard Oil Tube (brass), for 249883 Nos. 249890 to 249892, for 249893
*249890	-----	Pulley (loose) with 200584D
249891	18220	" " Ball Bearing
249892	18220	" " Bushing
249893	18220	Pulley (loose, ball bearing) complete, Nos. 249890 to 249892
249894	18219	Bed Oil Guard with 249883
249895	18219	Clamp Carrier Regulator Slide
249904	18255	Feed Driving Gear (intermediate) Bracket Position Lever Nos. 249905 to 249907, for 249914
249905	18255	Feed Hand Ratchet Lever
249906	18255	" " " " Extension Handle
249907	18255	" " " " Pawl with 232382
249909	18255	Stitch Regulating Gear Disengaging Slide
249910	18255	" " " " " "
		Bracket
249912	18225	Stitch Regulating Gear Spring
249914	18255	Feed Hand Ratchet Lever complete, Nos. 90D, 160H, 1449H, 249905 to 249907 and 250058
249915	18252	Thread Take-up Lever Link Hinge Pin with 222598
249916	18254	Thread (lower) Cutting Lever Extension Spring
249917	18254	Thread (upper) Cutting Blade Connecting Rod Latch Lifting Arm Spring
249922	18251	Stop Lever
249923	18255	Stitch Regulating Gear Disengaging Lever
249924	18200	Shuttle Race, for 249929 Nos. 249926 to 249928, for 249929
249926	18200	Shuttle Race Plate
249927	18200	" " Position Pin
249928	18200	" " Oil Packing (felt)

## NUMERICAL LIST OF PARTS

No.	Plate	Name
249929	18200	Shuttle Race complete, Nos. 907E, 2533, 7326 39969, 249546, 249924, 249926, two each 399D, 662D, 2532, 249927, 249928 and three 203E
249930	18254	Thread (upper) Cutting Blade Connecting Rod Latch Lifting Lever
249931	18220	Oscillating Shaft Bushing (front) Oil Tube (brass)
249932	18220	Oscillating Shaft Bushing (front) Oil Tube Support Plate
249933	18220	Crank Connecting Rod Hinge Screw Oil Tube (brass)
249934	18232	Intermittent Feed Wheel Driving Roller Oiling Felt
249935	18232	Intermittent Feed Wheel Driving Roller Oiling Felt Holder
*249936	18225	Intermittent Feed Wheel Driving Bevel Gear with two 351872, for 249944
249937	18225	Intermittent Feed Wheel Driving Roller Stud, for 351872
249938	18236	Bobbin Winder Stop Latch, for 249939
249939	18236	Bobbin Winder complete, Nos. 35D, 203E, 1620J 7071, 10249, 27538, 27918, 50356D, 249714 to 249716 and 249938
249940	18234	Idler Pulley Bracket with 443C, for 249941
249941	18234	Idler Pulley Bracket complete, Nos. 150496 and 249940, for 249723
249943	18229	Stop Cam Spring Cover
249944	18225	Intermittent Feed Wheel Driving Bevel Gear Bracket 249644 with 249936 and 350230C
249945	18256	Wrench
249946	18225	Intermittent Feed Wheel Shaft 249646 with 249642, 249674 and two 12546
249947	18255	Sewing Safety Lock Pitman (front section) for 249949
249948	18255	Sewing Safety Lock Pitman (rear section), for 249949
249949	18255	Sewing Safety Lock Pitman complete, Nos. 249947, 249948, two each 914F and 39541
249951	18225	Stitch Regulating Gear, 27 teeth
249952	18225	" " " 54 teeth
249953	18225	" " " 60 teeth
249955	18246	Clamp Arm Bracket with 196F
249956	18246	" " Hinge Block
249957	18248	" Carrier
249958	18246	" " Guard
249959	18246	" " Plate

## NUMERICAL LIST OF PARTS

No.	Plate	Name
249960	18251	Clamp Carrier Regulator with 240D,1960 and 39583
249963	18255	Clamp Lifting Arm Connection Lock Stop Plate
249964	18246	Clamp Plate Support
249965	18249	Feed Driving Gear (intermediate) with two 457E
249968	18249	Feed Driving Gear (intermediate) for swing bracket
249969	18249	Feed Driving Gear (intermediate) Bracket
249970	18249	" " " " Pinion Shaft
249971	18249	" " " " Stud
249972	18249	" " " " Swing Bracket
249975	18249	Stitch Regulating Gear Guard
249978	18247	Thread (upper) Cutting Blade Connecting Rod Spring Bracket
249979	18254	Thread (upper) Cutting Lock (lower section),for 249981
249980	18254	Thread (upper) Cutting Lock (upper section),for 249981
249981	18254	Thread (upper) Cutting Lock complete,Nos. 249979,249980 and two 203E
249982	18255	Thread (upper) End Cutting Lever
249983	18255	" " " " Bracket
250058	18255	Feed Hand Ratchet Lever Pawl Spring,for 249914
250397	18225	Needle Bar Frame Driving Gear (intermediate) Bracket Position Pin
250408	18235	Machine Rest (high) with 232982 and two wood screws 1 in.,No.12,for 228354
250444	18251	Feed Wheel Tripping Lever Screw Stud Washer
250451	18220	Oscillating Shaft Bushing (front) Oil Tube Plate
*250521	-----	Screw Driver Blade,for 250522
250522	18256	Screw Driver (for needle set screw) complete,Nos.225483 and 250521
255513	18256	Tweezers
255540	18256	Wrench
255541	18256	"
262014	18255	Sewing Safety Lock
350060C	18253	Tension (side of arm) Screw Stud Set Screw,for 39950
350076C	18251	Clamp Carrier Regulator Stud (to regulate length of tack)
350230C	18225	Intermittent Feed Wheel Driving Bevel Gear Cap Screw,for 249944
350235D	18255	Sewing Safety Lock Pitman Hinge Screw (back)

## NUMERICAL LIST OF PARTS

No.	Plate	Name
350237C	18251	Feed Wheel Tripping Lever Hinge Screw
350246C	18254	Thread (lower) Cutting Lever Extension Hinge Screw
350249E	18225	Intermittent Feed Wheel Position Screw, for 249642
350249E	18225	Needle Vibrating Gear Position Screw,for 249674
350251C	18252	Needle Bar Frame Connection Hinge Screw
350253C	18225	" Vibrating Slide Operating Plate Adjusting Screw
350254F	18252	Needle Bar Frame Connection Cap Screw
350287C	18229	Belt Shifter Operating Rod Set Screw
350287C	18255	" " Set Screw,for 249853
350287C	18254	Thread (upper) Cutting Blade Connecting Rod Latch Lifting Lever Screw
350288C	18255	Belt Shifter Shaft Bracket Hinge Screw
350310D	18249	Feed Driving Gear (intermediate) Swing Bracket Screw
350329C	18255	Belt Shifter Operating Collar Set Screw for 249854
350337C	18255	Stitch Regulating Gear Disengaging Lever Hinge Screw
350338E	18254	Belt Shifter Shaft Bracket Spring Screw Stud (lower)
350339E	18255	Belt Shifter Shaft Bracket Spring Screw Stud (upper)
350430D	18249	Feed Driving Gear (intermediate) for swing bracket screw
351872	18225	Intermittent Feed Wheel Driving Roller 201891 with 229D,23389 and 249937, for 249936

**Genuine Singer Needles should be used in Singer Machines. These Needles and their Containers are marked with the Company's Trade Mark "SIMANCO." 1**

**Needles in Containers marked "For Singer Machines" are not Singer made needles. 2**

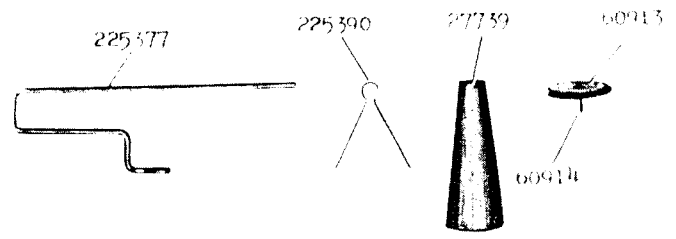
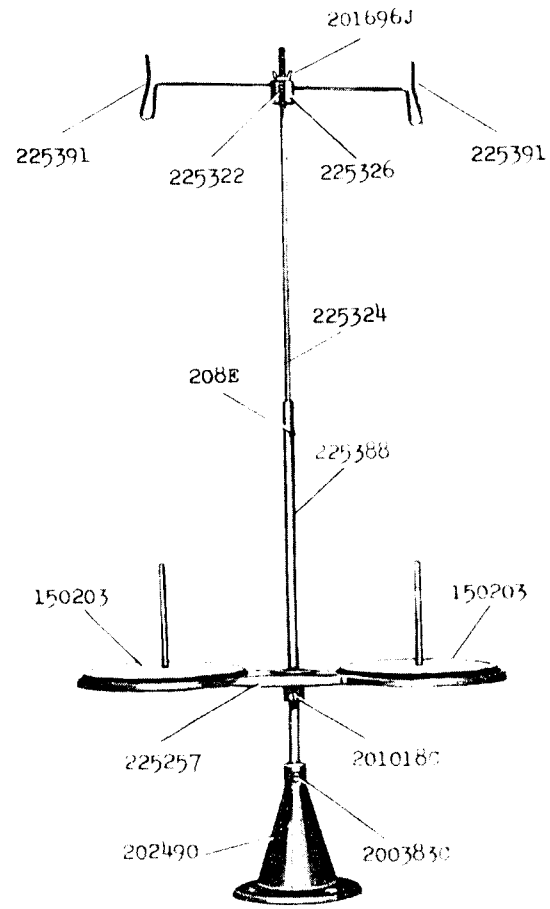
Genuine Singer Needles should be used  
in Singer Machines.  
These Needles and their Containers  
are marked with the  
Company's Trade Mark "SIMANCO." 1

Needles in Containers marked  
"For Singer Machines"  
are not Singer made needles. 2

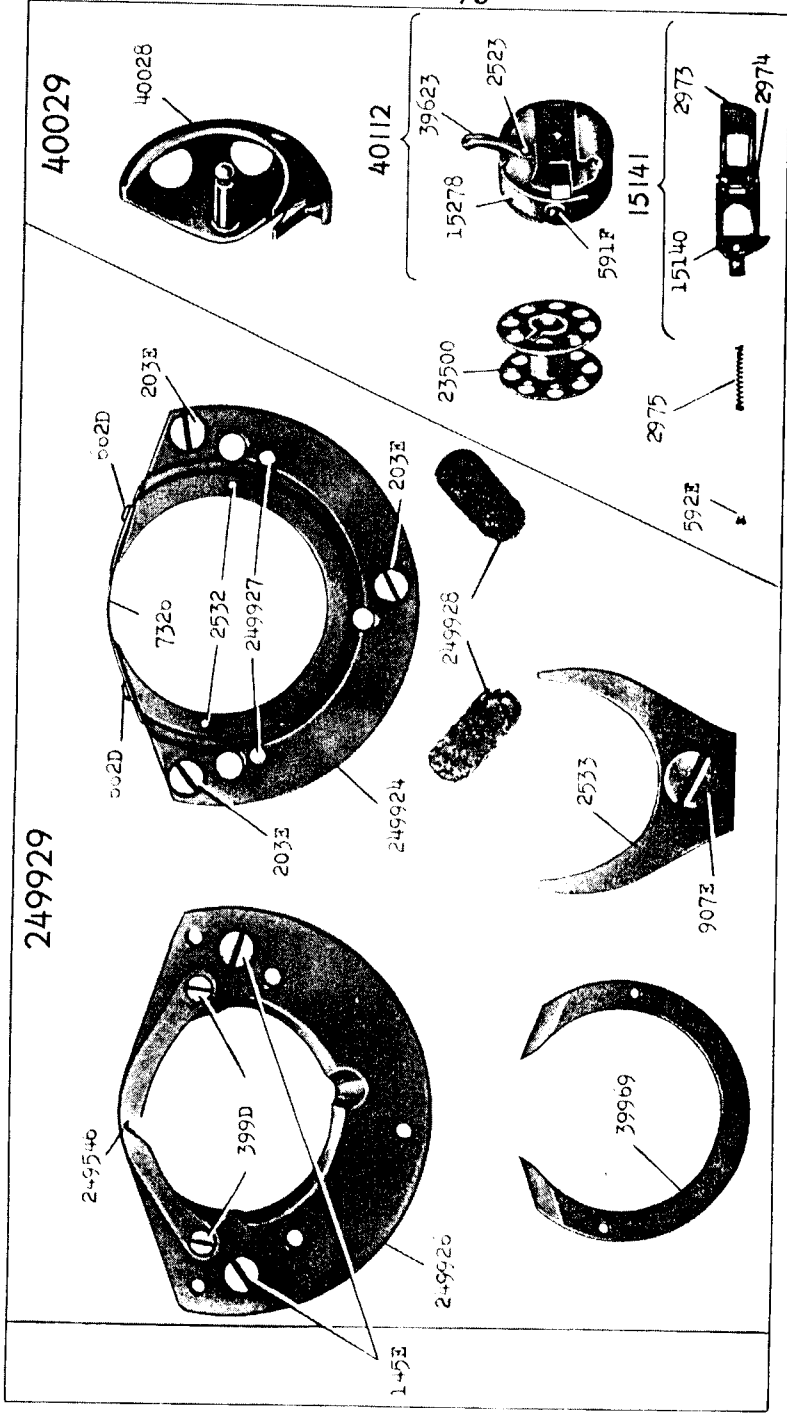
ILLUSTRATIONS  
OF  
PARTS

17900 - 1/6

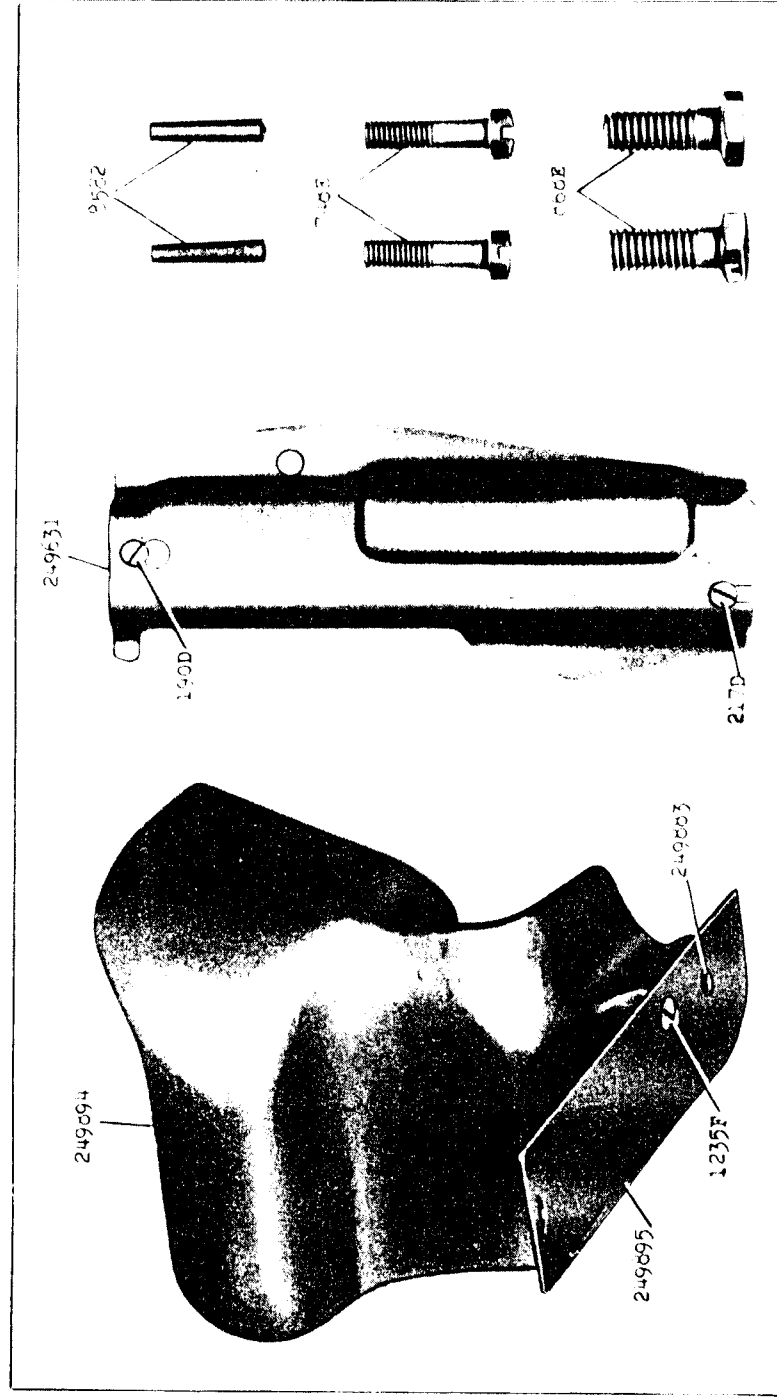
225258



18200 - 2/3

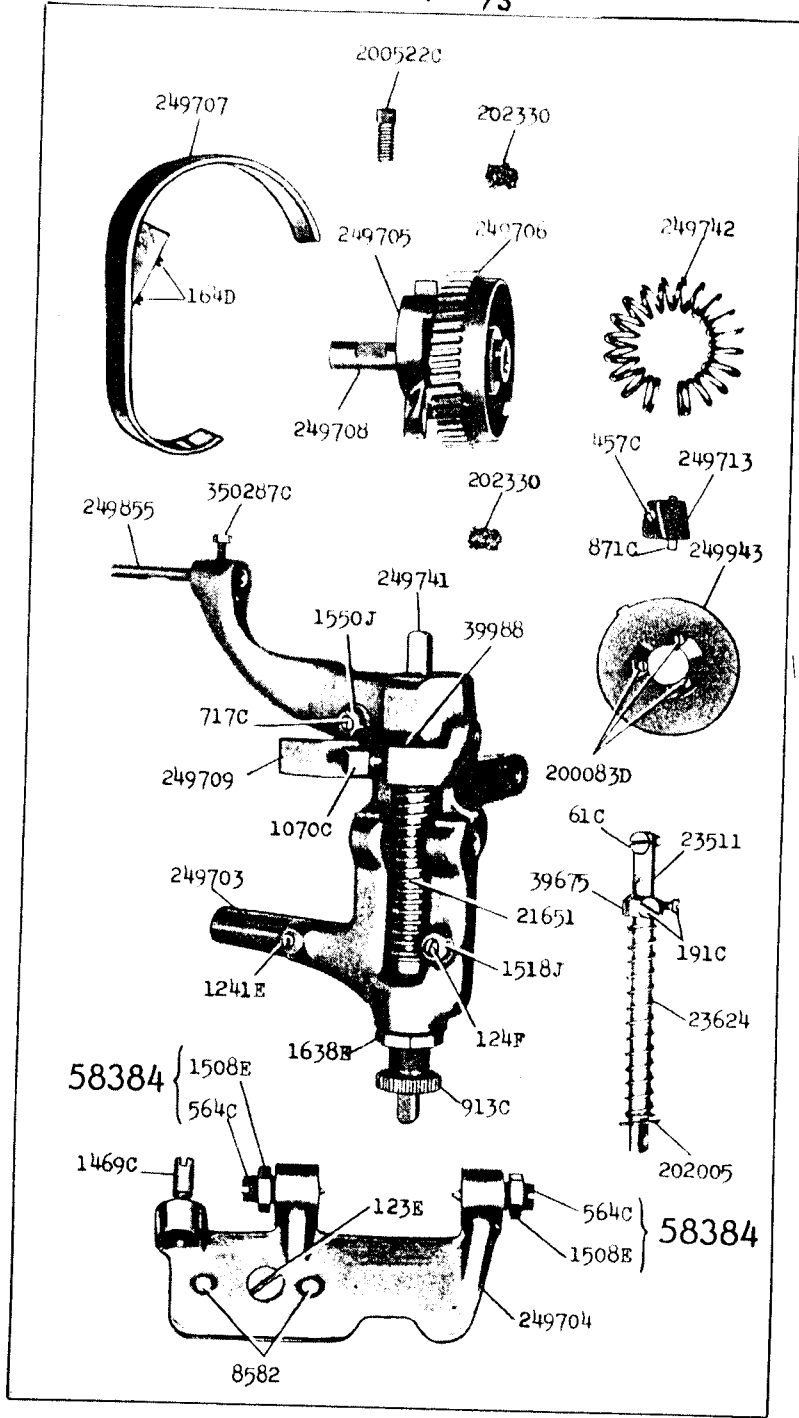


18219 - 1/2

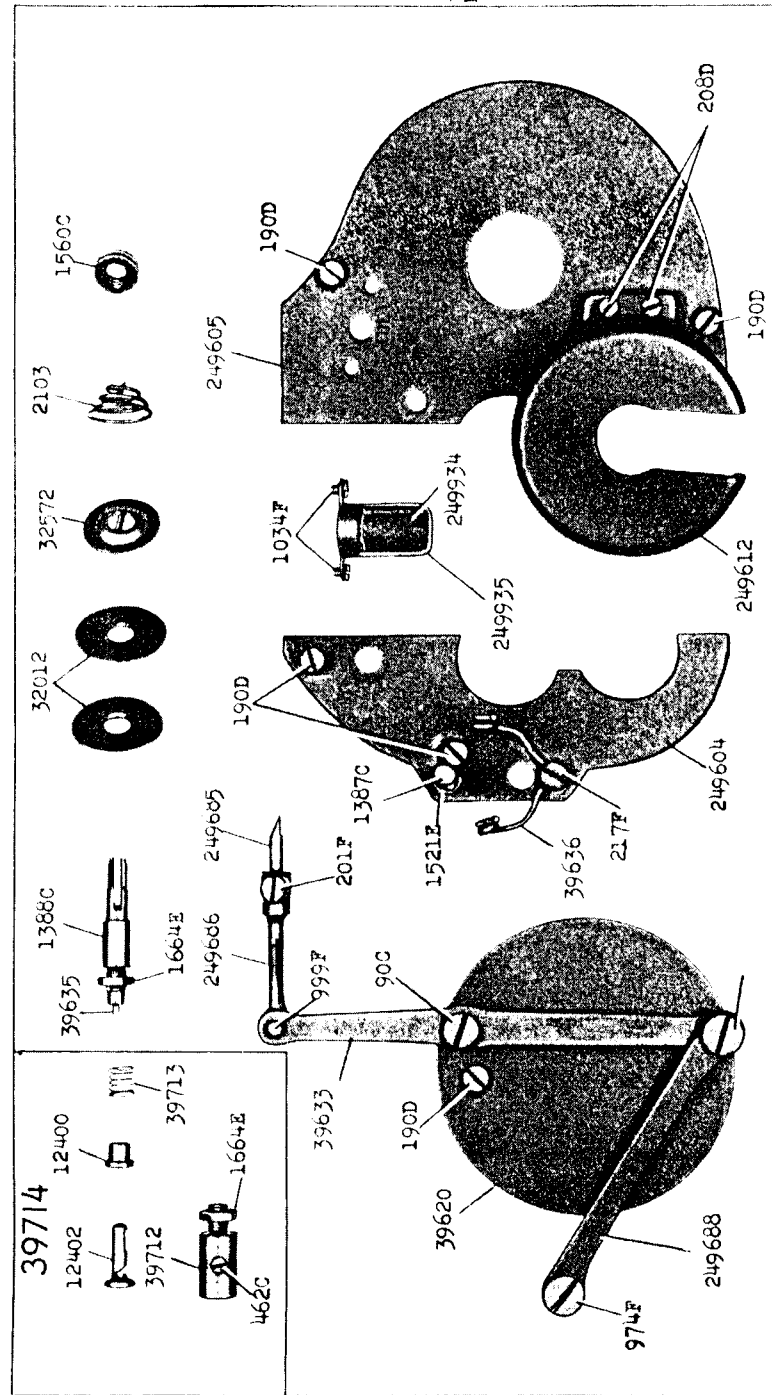




18229 - 1/3

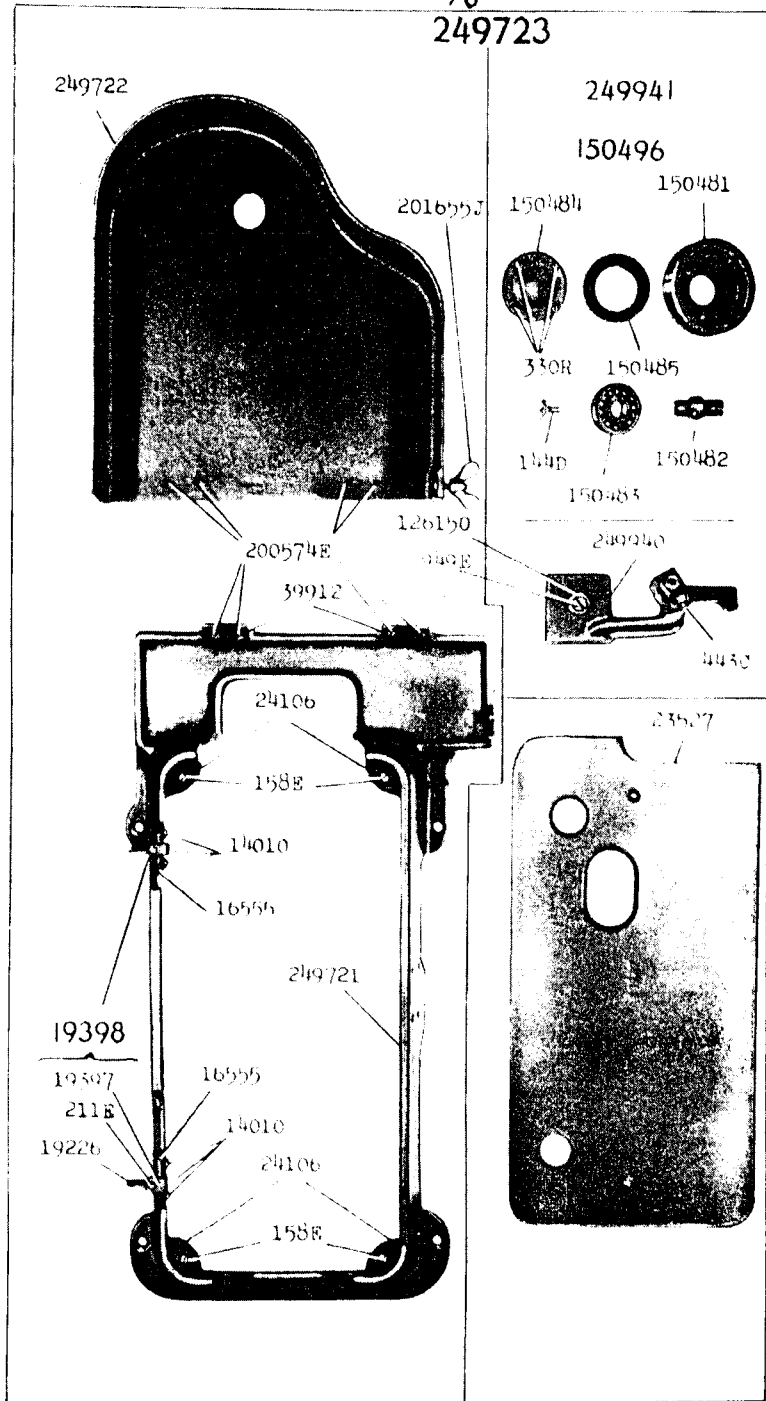


18232 - 1/2



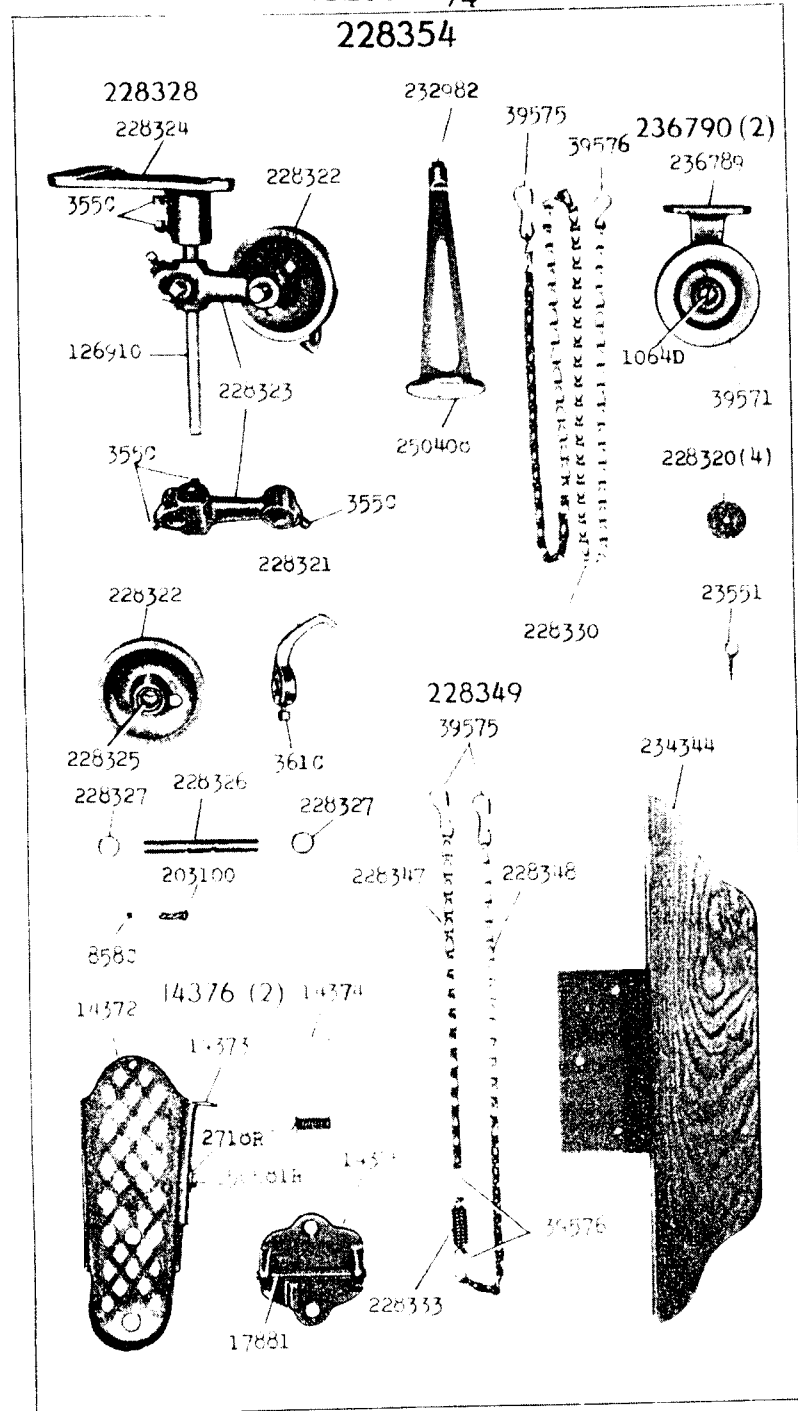
18234 - 1/6

249723



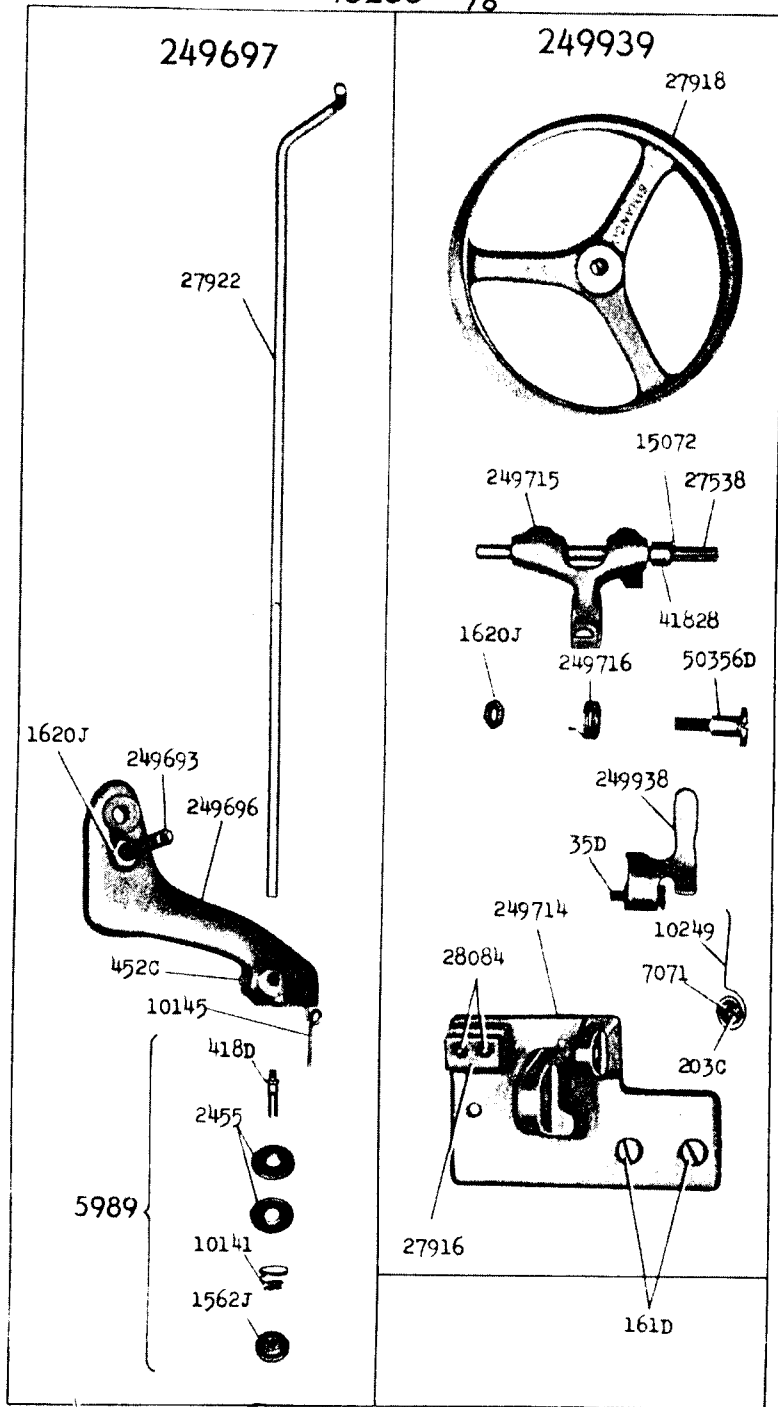
18235 - 1/4

228354

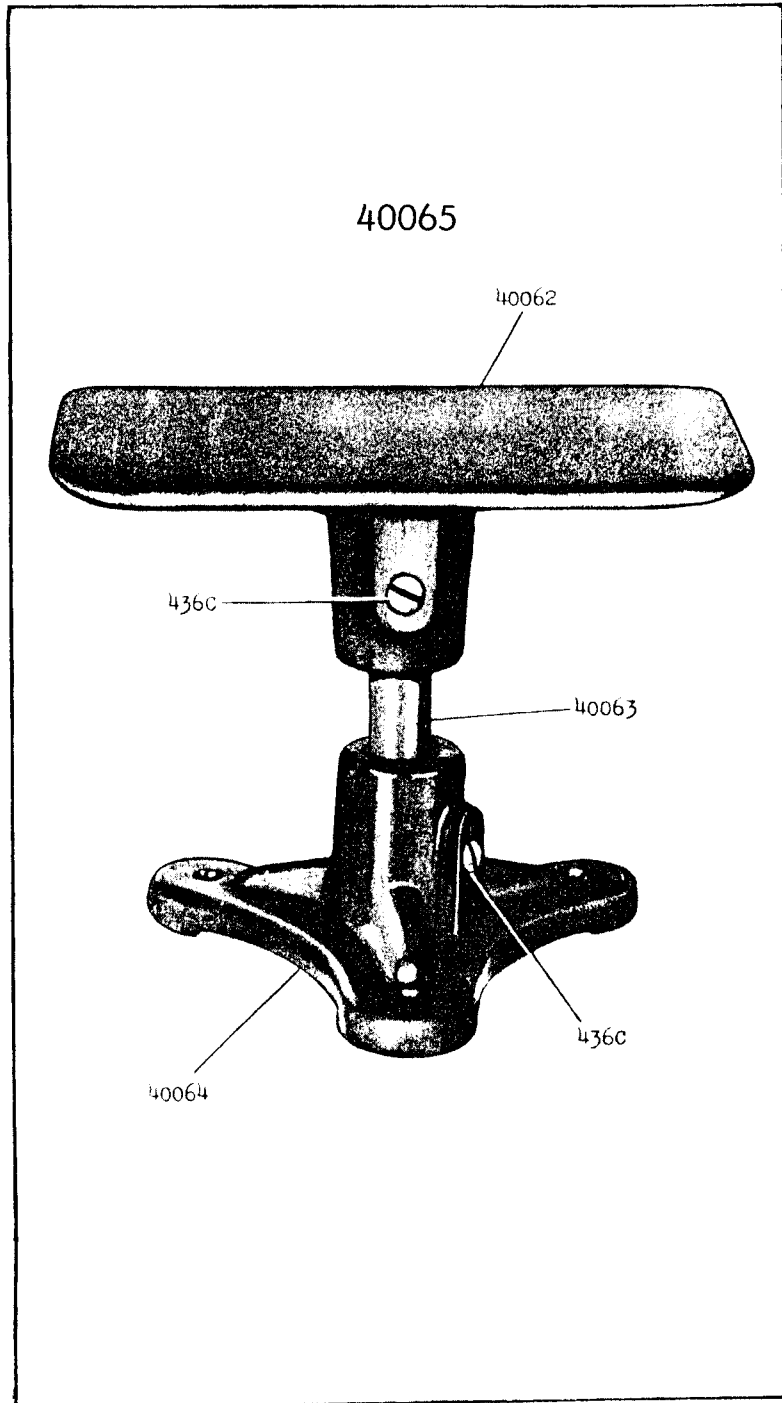




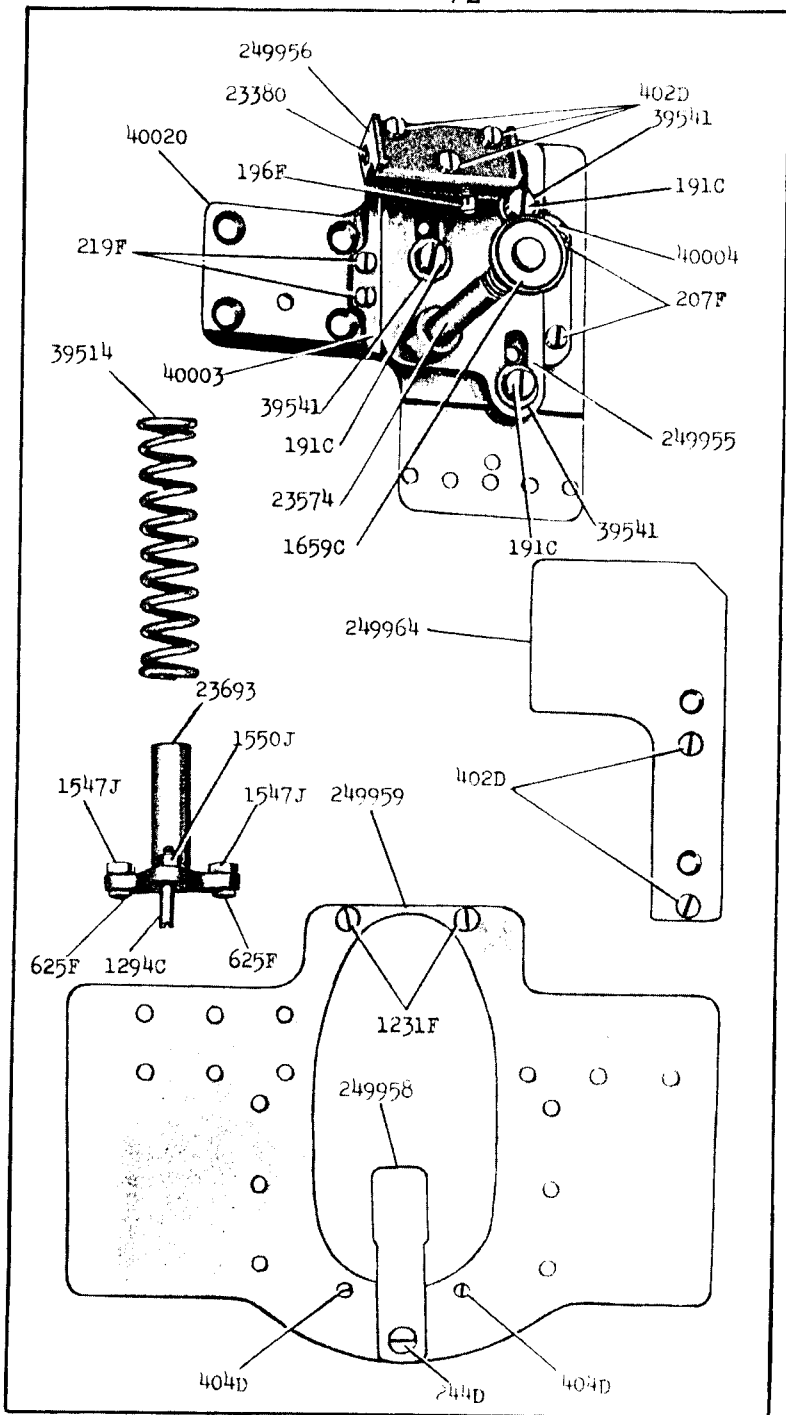
18236 - 3/8



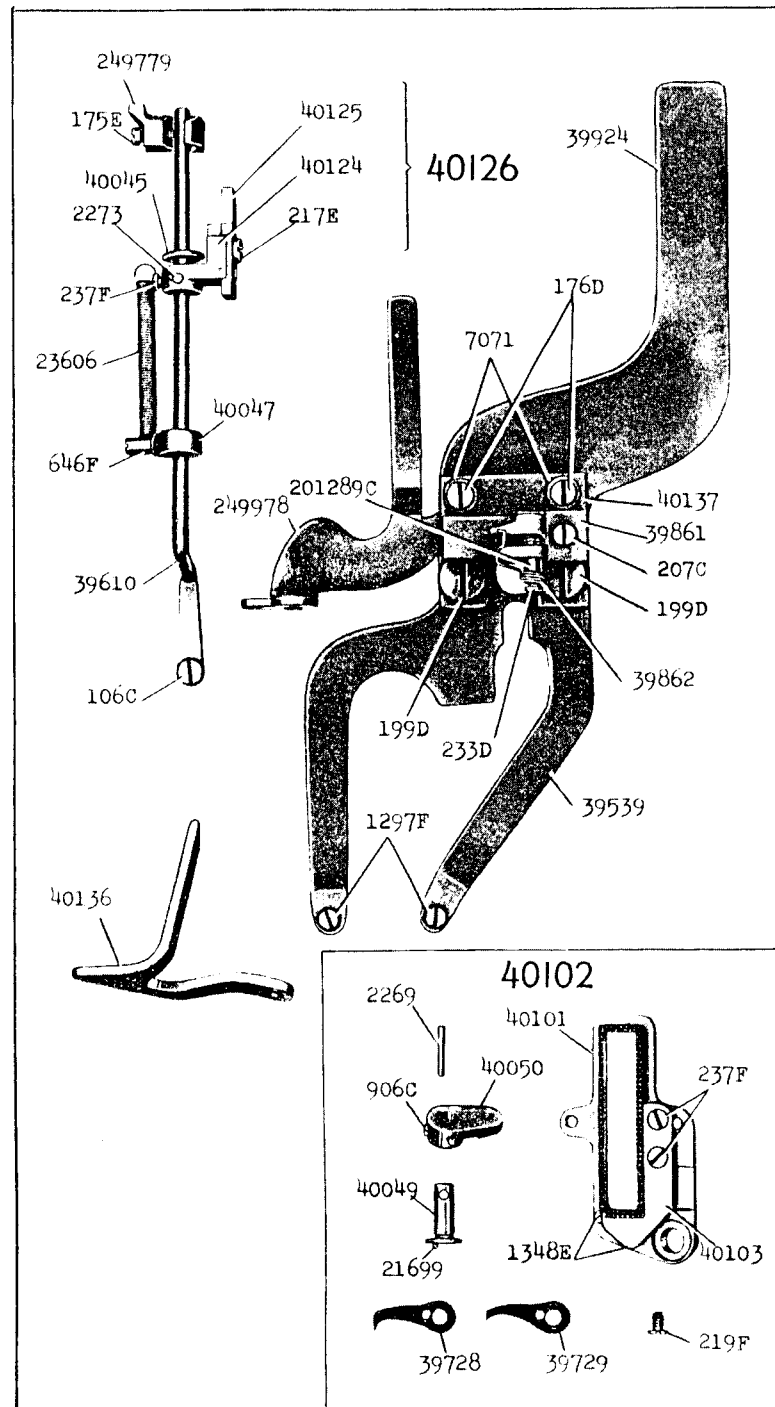
18243 - 5/8



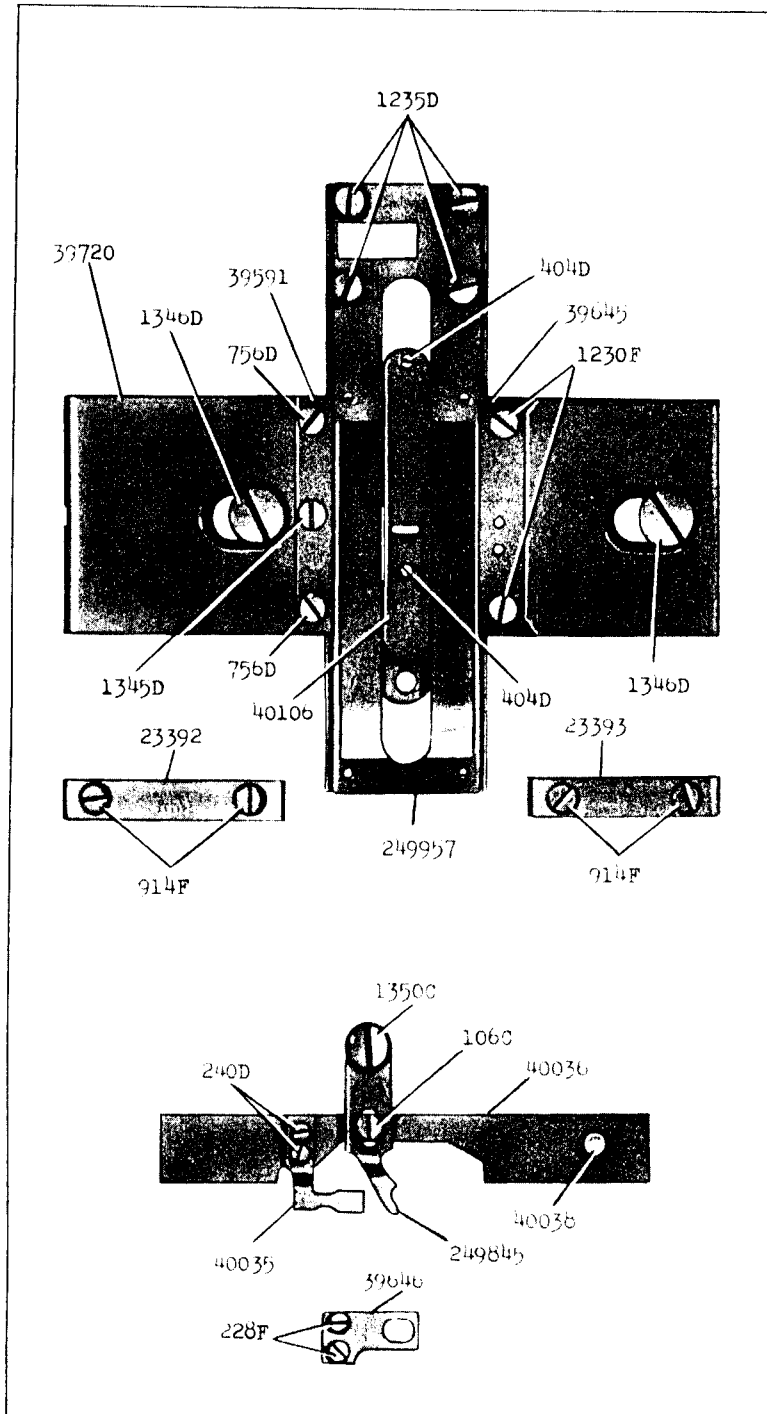
18246 - 1/2



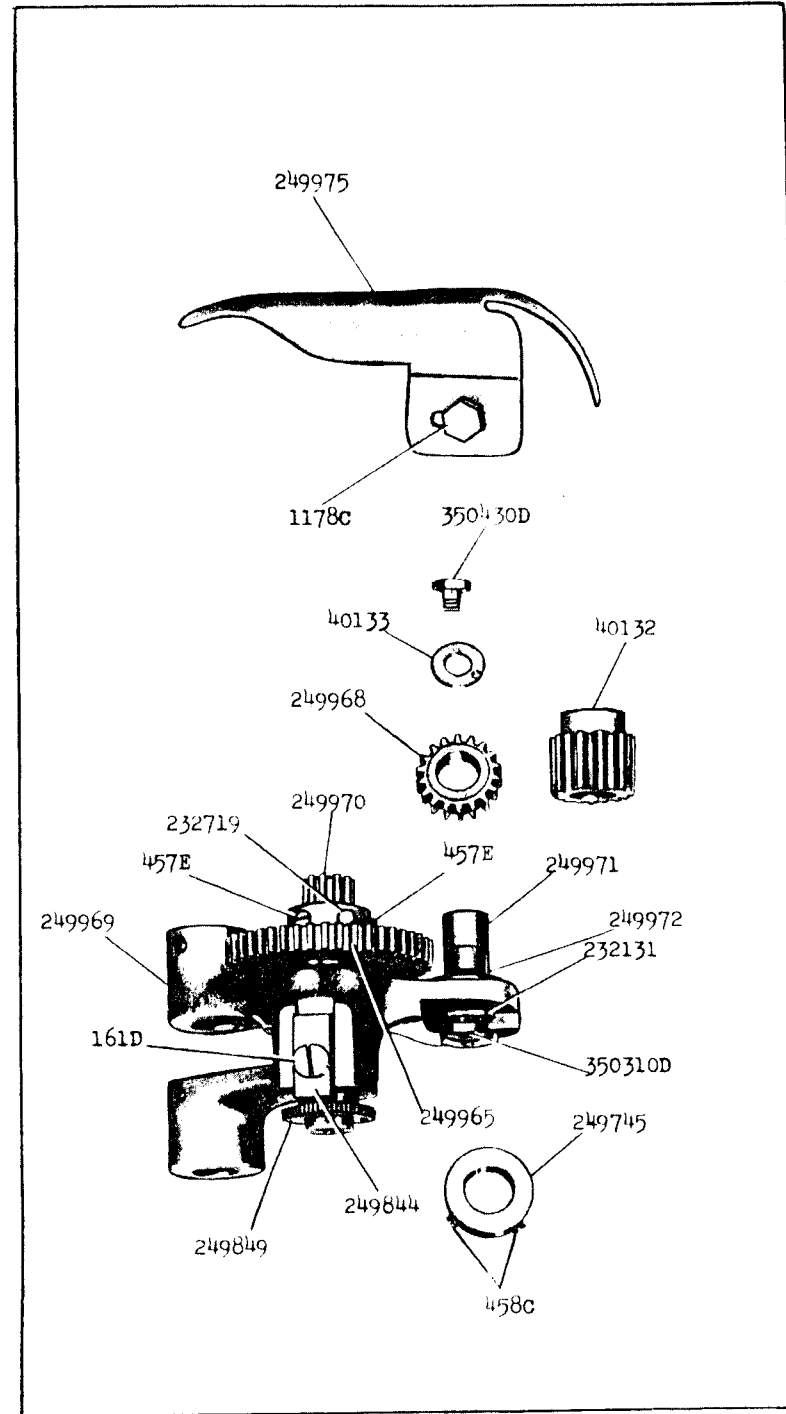
18247 - 1/2



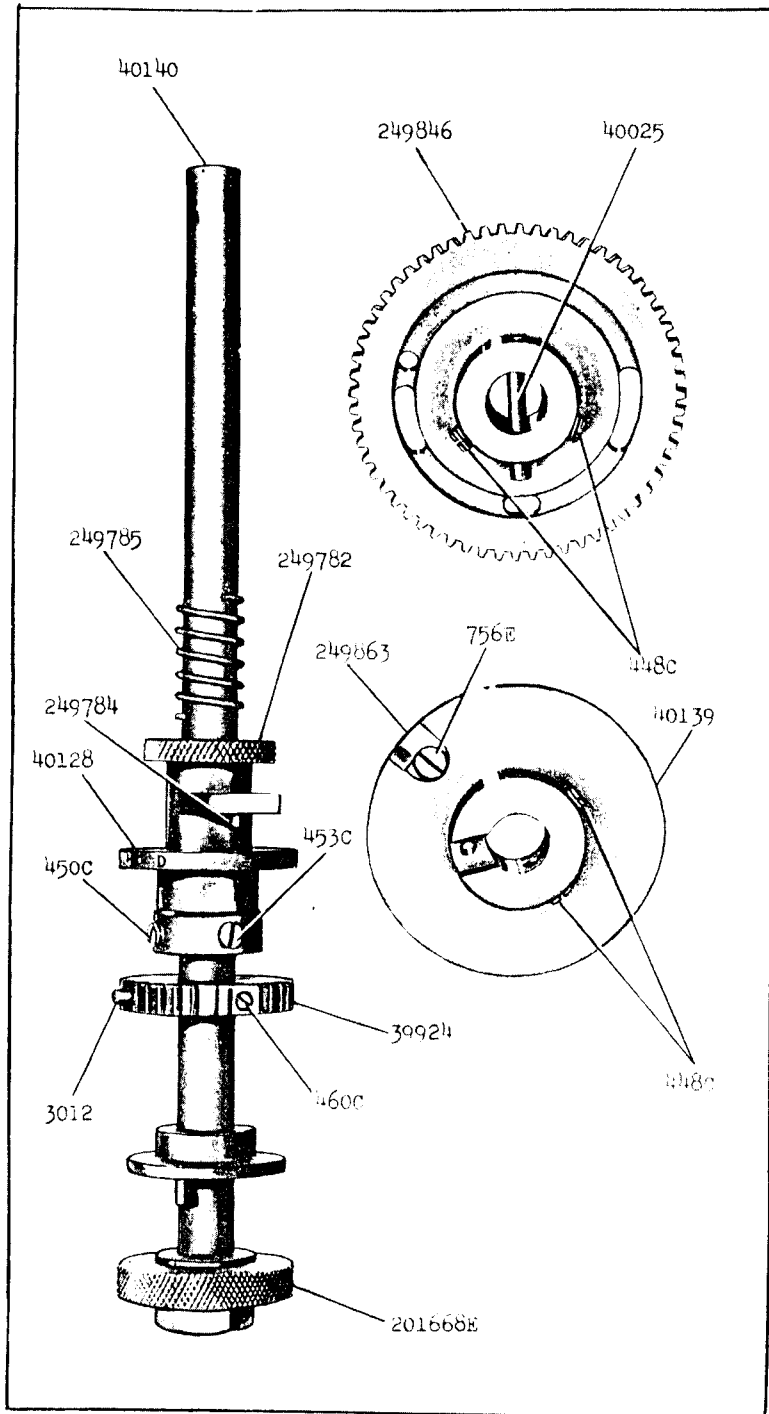
18248 - 1/2



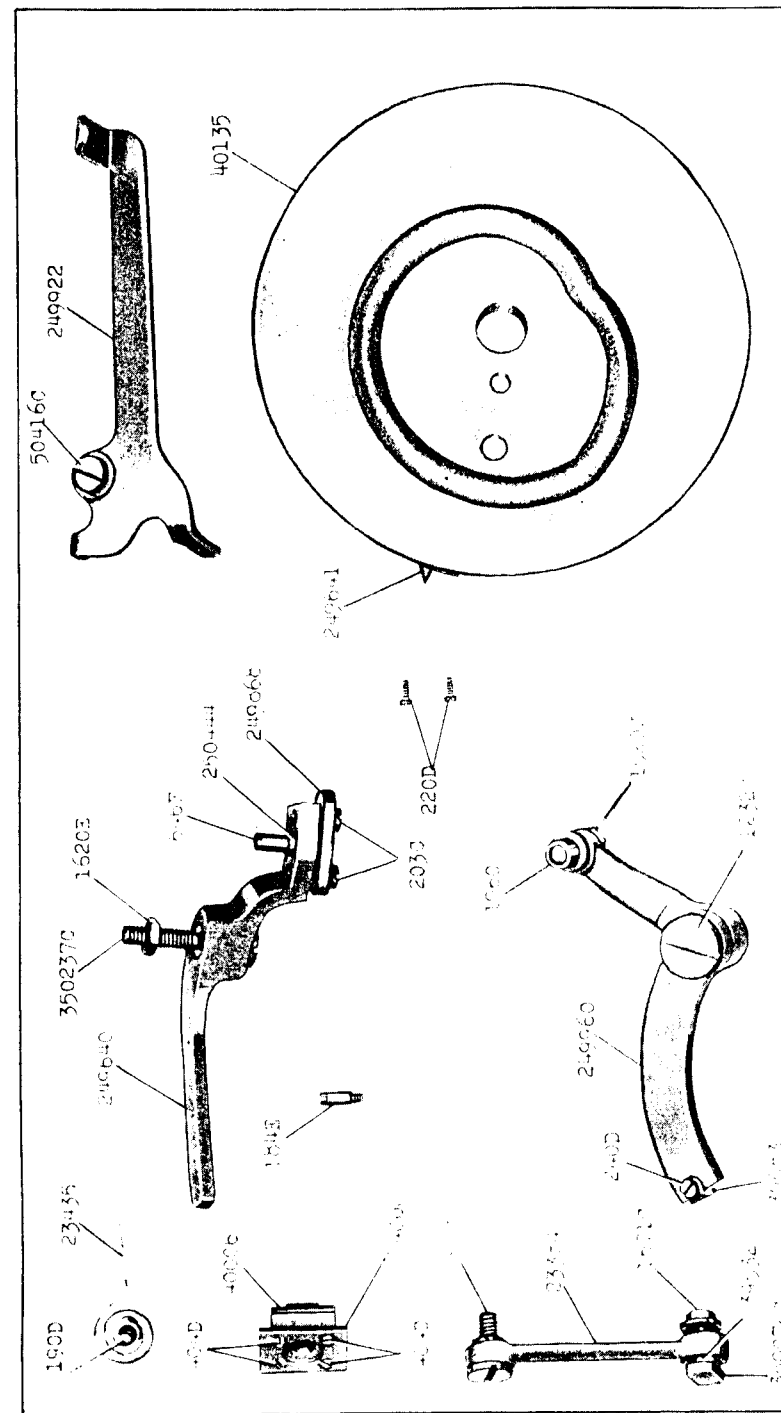
18249 - 5/8



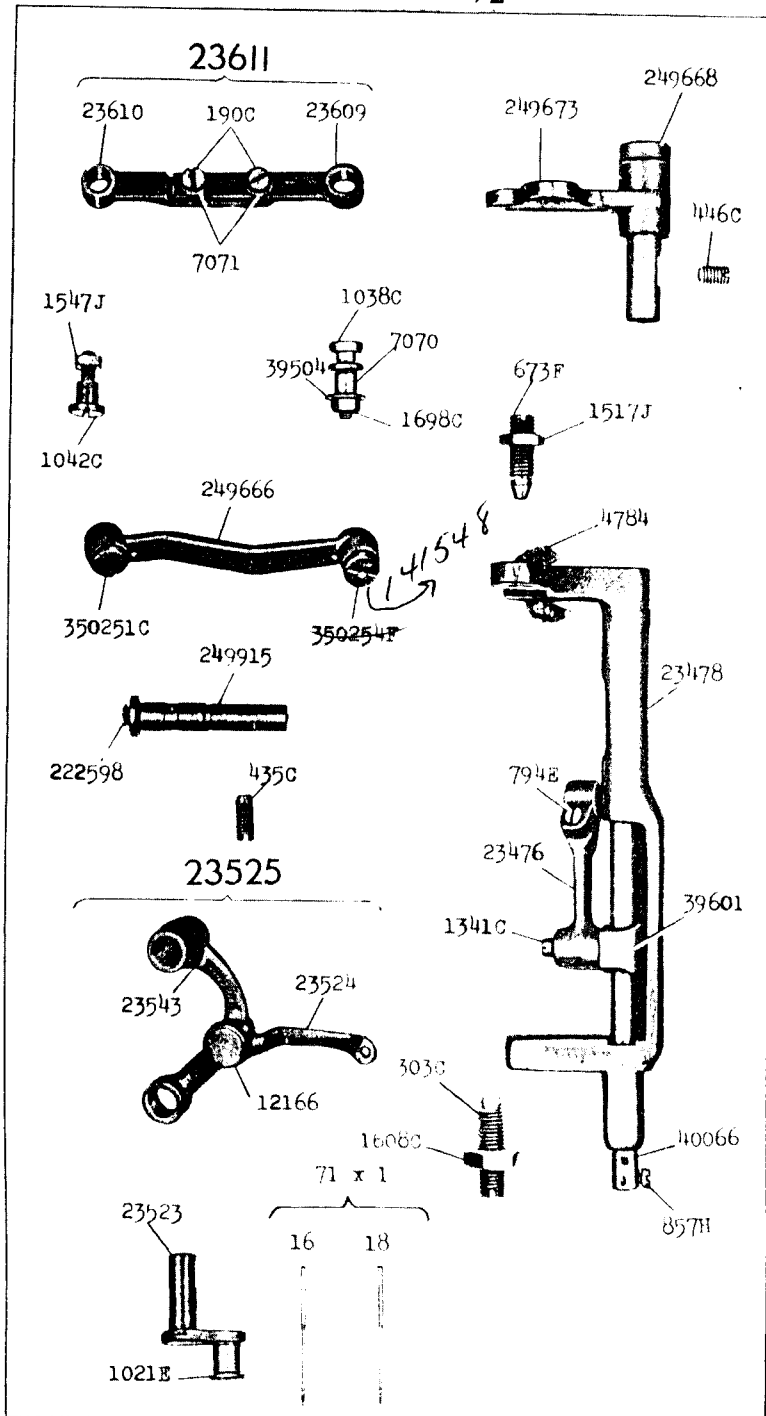
18250 - 5/8



18251 - 1/2



18252 - 1/2



18253 - 2/3

