

Singer 81-24

Form 18651, Revised

(939)

Printed in U. S. A.

LIST OF PARTS



MACHINE No. 81-24

THE SINGER MANUFACTURING COMPANY

INSTRUCTIONS FOR OILING

To ensure easy running and prevent unnecessary wear of the parts which are in movable contact, the machine requires oiling and when in continuous use, it should be oiled at least twice each day by applying Singer Cloth and Leather Oil to all oil holes marked "Oil" and to all other oiling places.

Copyright, U. S. A., 1931 and 1939
by The Singer Manufacturing Co.
All Rights Reserved for all Countries

INDEX

	Page
Accessories.....	11
Foot Lifter Parts.....	12
Knife Grinder.....	13
Knee Lifter Parts.....	12
Machine Base.....	11
Machine No. 81-24.....	5
Numerical List of Parts.....	15
Thread Unwinder.....	14
Parts Required to Change from Single Thread Chain Stitch to a Two-Thread Chain Stitch.....	11

INSTRUCTIONS FOR ORDERING

In ordering from this list, use ONLY the part NUMBER in the FIRST column.

The number stamped on a Sewing Machine Part is in every case the number of the single part only.

Every combination of parts sent out as such has its specific number, which, although not stamped on the parts, must be used when ordering the combination.

Each number always indicates the SAME PART in whatever list it appears, or for whatever machine.

The letters after some of the numbers indicate the style of finish only, as follows:

- A-Hardened, Polished, Nickel Plated and Buffed
- A.A-Buffed and Chromium Plated
- A.B-Hardened, Polished, Buffed and Chromium Plated
- B-Polished, Nickel Plated and Buffed
- C-Hardened Only
- C.R-Hardened and Merlized
- D-Polished Only
- E-Soft, Not Polished
- F-Hardened and Polished
- F.J-Hardened, Polished and Nickel Plated
- G-Bright Rumbled and Nickel Plated
- H-Blued
- J-Nickel Plated Only
- K-Hardened and Nickel Plated
- L-Brass Plated
- M-Oxidized
- N-Japanned, Dull
- P-Japanned, Bright
- P.P-Wrinkle Finish
- R-Merlized
- S-Cadmium Plated
- T-Copper Plated
- T.A-Hardened, Polished, Copper and Nickel Plated and Buffed
- T.B-Copper and Nickel Plated and Polished
- T.J-Copper and Nickel Plated Only
- T.K-Hardened, Copper and Nickel Plated
- T.L-Copper and Brass Plated
- T.M-Copper Plated and Oxidized
- U-Zinc Plated
- V-Silver Plated
- W-Polished and Nickel Plated
- X-Black Oxide, for Iron and Steel
- X.C-Hardened and Black Oxide, for Iron or Steel
- Y-Black Nickel Plated Only
- Z-Chromium Plated
- Z.A-Hardened, Polished, Nickel Plated, Buffed and Chromium Plated
- Z.B-Polished, Nickel Plated, Buffed and Chromium Plated
- Z.C-Hardened and Chromium Plated
- Z.D-Polished and Chromium Plated
- Z.G-Bright Rumbled, Nickel Plated, Bright Rumbled and Chromium Plated
- Z.J-Nickel and Chromium Plated
- Z.T-Copper and Chromium Plated

These letters MUST BE USED when they appear in the list; and AFTER the number as in the list.

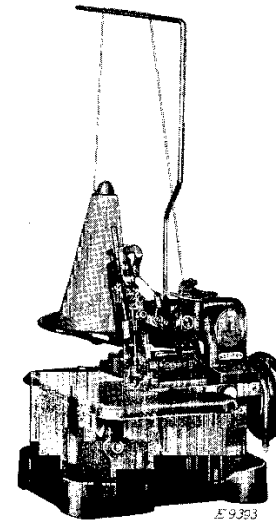
In this series:

- 1 to 1500, 50001 to 51500 and 140001 to 142000 are Screw Numbers
- 1501 to 1800 and 51501 to 51800 are Nut Numbers
- 1801 to 2000 and 51801 to 52000 are Roller Numbers
- 2001 to 50000 and 52001 to 140000 and 142001 to 190000 are Sewing Machine Parts, 190001 and upward are numbers of Electrical Parts.

The figures in the second column refer only to the plates, illustrating the parts, and are NOT TO BE USED in ordering.

Parts marked with an asterisk (*) are furnished only when repairs are made at factory.

LIST OF PARTS COMPLETE FOR



MACHINE No. 81-24

For trimming and joining the abutted edges, of piece goods. The bight is adjustable from $\frac{5}{16}$ inch to $\frac{3}{8}$ inch. The machine is regularly furnished for single thread chain stitch. If so ordered it can be fitted for two-thread chain stitch. Foot Lifter. Speed up to 3000.

NOTE: THE MACHINE CAN ALSO BE FURNISHED FOR $\frac{1}{4}$ INCH BIGHT FOR FOLDED OR ABUTTED EDGE.

No.	Plate	Name
*42485	----	Arm with 15404 and two each 462C, 624C, 15405, 42253 and 42487.....
4389	23042	Arm Dowel Pin.....
949E	23042	" Screw.....
42001	23038	Balance Wheel, 2 3/16 in. pulley, with 424C and 1354C.....
1354C	23038	Balance Wheel Position Screw.....
424C	23038	" " Set Screw.....
132501	23039	Cloth Plate.....

PARTS FOR MACHINE No. 81-24

No.	Plate	Name
42231	23039	Cloth Plate Extension (bottom).....
229E	23039	" " " " Screw....
132502	23039	" " " " (top).....
229E	23039	" " " " Screw.....
132503	23039	Cloth Plate complete, Nos. 42005, 42231, 132501,132502,two 236J and five 229E
1437D	23039	Cloth Plate Hinge Screw.....
1655E	23039	" " " " Nut.....
42005	23039	" " Lock Spring.....
236J	23039	" " " " Screw.....
42205	23040	Feed Bar with 1253C.....
42007	23040	" " Hinge Pin.....
1253C	23040	" " " " Set Screw.....
42008	23038	" Connecting Rod with two 1057C.....
1057C	23038	" " " Cap Screw.....
1373C	23038	" " " Hinge Screw.....
1520C	23038	" " " " Nut.....
132504	23040	" Dog, 14 teeth (10 teeth to the inch) for 132521.....
190D	23040	Feed Dog Screw.....
42011	23038	" Eccentric with two 453C.....
132505	23042	" " Cover.....
42102	23042	" " " Holder.....
132604	-----	" " " " 42102 with 42101, 132505, 132931 and two each 190J and 207J.....
283D	23042	Feed Eccentric Cover Holder Thumb Screw.
19044	23042	" " " " " Washer.....
207J	23042	Feed Eccentric Cover Screw.....
453C	23038	" " " " Set Screw.....
132506	23038	" Lifting Eccentric with two 462C....
42013	23038	" " " " Connection.....
462C	23038	" " " " Set Screw.....
1374C	23040	" Regulating Screw Stud.....
1680C	23040	" " " " Nut.....
42290	23040	" " " " Washer...
42014	23040	" Regulator with 233J and two 1259C..
42015	23040	" " " Connection with 1012E....
1012E	23040	" " " Adjusting Screw.....
1373C	23040	Feed Regulator Connection Hinge Screw...
1520J	23040	" " " " " Nut
42016	23040	" " Hinge Stud.....
1259C	23040	" " Set Screw.....
233J	23040	" " Stop Screw.....
42019	23040	" Rock Shaft.....
42021	23040	" " Crank with 157E.....
157E	23040	" " " Clamping Screw....
42020	-----	Feed Rock Shaft complete, Nos. 42019 and 42021.....

PARTS FOR MACHINE No. 81-24

No.	Plate	Name
42098	23040	Feed Rock Shaft Hinge Pin.....
42079	23040	" " " " Bushing.....
1036C	23040	" " " " " Set Screw
*132507	-----	Frame.....
42210	23038	" Rotary Shaft.....
42024	23038	" " " Bushing (front).....
1036C	23038	" " " " " Set Screw
42211	23038	" " " Crank with 1036C and 1375C.....
1375C	23038	Frame Rotary Shaft Crank Position Screw.
1036C	23038	" " " " Set Screw.....
42026	23038	" " " Flanged Bushing (back) with 54967.....
54967	23038	Frame Rotary Shaft Flanged Bushing (back) Oil Pad (braided cotton)....
1036C	23038	Frame Rotary Shaft Flanged Bushing (back) Set Screw.....
42367	23038	Frame Rotary Shaft Front Bearing Oil Pad (braided cotton).....
132638	23039	Frame Side Cover (left) with 132701....
132701	23039	" " " Handle.....
330W	23039	" " " " Screw.....
42028	23039	" " " (right) hinged.....
42101	23042	" " " Lock Spring....
190J	23042	" " " " " Screw
330W	23039	" " " " " Screw.....
132508	23039	" Top Cover.....
132300	23042	" " " Extension.....
132931	-----	" " " " 132300 with 132511 and two 337W.....
132511	23042	Frame Top Cover Extension Chaining-off Finger.....
337W	23042	Frame Top Cover Extension Chaining-off Finger Screw.....
190J	23042	Frame Top Cover Extension Screw.....
742F	23039	" " " Screw.....
42305	23042	Knife (movable).....
Note: Two No. 42305 are sent with this machine.		
42306	23042	Knife (movable) Gib.....
132926	23042	" " " Holder.....
132927	-----	" " " " 132926 with 133F, 42040, 42306, 132928 and two 220E...
132928	23042	Knife (movable) Holder Cap.....
220E	23042	" " " " " Screw.....
42038	23042	" " " " Guide with 336F..
42039	23042	" " " " Plate.....
621E	23042	" " " " " Screw
336F	23042	" " " " " Set Screw..
133F	23042	" " " " " Screw.....
42040	23042	" " " " " Extension Pin

PARTS FOR MACHINE No. 81-24

No.	Plate	Name
42041	23042	Knife (movable) Holder Spring.....
42042	23042	" " Lever.....
132512	23042	" " " Bracket with 1036C
949E	23042	" " " " Screw.....
42217	23038	" " " Connection with two 175E.....
175E	23038	Knife (movable) Lever Connection Cap Screw.....
1373C	23038	Knife (movable) Lever Connection Hinge Screw.....
1520C	23038	Knife (movable) Lever Connection Hinge Screw Nut.....
42045	23042	Knife (movable) Lever Hinge Stud.....
1036C	23042	" " " " " Set Screw
42309	23041	" (stationary) with 42049.....
Note: Two No. 42309 are sent with this machine.		
42310	23041	Knife (stationary) Clamping Stud.....
1534D	23041	" " " " Thumb Nut
132513	23041	" " " Holder.....
1376C	23041	" " " Regulating Thumb Screw.....
1101C	23041	Knife (stationary) Holder Screw.....
42049	23041	" " " Stud.....
132514	23041	Looper.....
132870	23041	" Lever with 50117C.....
42052	23041	" " Connecting Link.....
50562C	23041	" " " " Hinge Screw
1520C	23041	" " " " " " Nut.....
42053	23041	Looper Lever Hinge Stud.....
1036C	23041	" " " " Set Screw.....
50117C	23041	" Set Screw.....
38534	23041	Needle Bar (hollow).....
42253	23041	" " Bushing.....
462C	23041	" " " Set Screw.....
42291	23041	" " Connecting Bracket with 223F and 1057C.....
1057C	23041	Needle Bar Connecting Bracket Clamping Screw.....
42055	23041	Needle Bar Connecting Link.....
40247	23041	" " " " Hinge Pin....
223F	23041	" " " " " " Set Screw for 42291.....
904C	23041	Needle Bar Connecting Link Hinge Pin Set Screw for 42104.....
42057	23038	Needle Bar Connecting Rod with four 896C
896C	23038	" " " " Cap (lower) Screw.....
896C	23038	Needle Bar Connecting Rod Cap (upper) Screw.....

PARTS FOR MACHINE No. 81-24

No.	Plate	Name
42077	23038	Needle Bar Connecting Rod Guide.....
171F	23038	" " " " " " Screw...
42103	23041	" " Crank (back) with 1258C and two 1259C.....
42074	23038	Needle Bar Crank (back) Ball Stud.....
1259C	23041	" " " " " " Set Screw
1259C	23041	" " " " " Position Screw..
1258C	23041	" " " " " Set Screw.....
42104	23041	" " " (front) with 904C,1258C and 1259C.....
1259C	23041	Needle Bar Crank (front) Position Screw..
1258C	23041	" " " " " Set Screw.....
42105	23041	" " " Shaft.....
42487	23041	" " " " Bushing.....
624C	23041	" " " " " Set Screw..
42115	23041	" " Thread Retainer Bracket.....
228J	23041	" " " " " Screw
42483	23041	" " " " Disc.....
93C	23041	" " " " Screw.....
10107	23041	" " " " Spring.....
1737C	23041	" Clamping Nut.....
132515	23041	" Guard.....
171F	23041	" " Screw.....
132516	23040	Presser Foot with 233J and 132517.....
132517	23040	" " Chaining-off Finger.....
233J	23040	" " " " Screw..
1324C	23040	" " Screw.....
39541	23040	" " Washer.....
132518	23040	" Lever.....
132605	-----	" " 132518 with 42045.....
42045	23040	" " Hinge Stud.....
1120C	23040	" " " " Set Screw.....
132519	23040	" " Lifter.....
50378F	23040	" " " Screw (back).....
1547J	23040	" " " " " Nut...
190D	23040	" " " " (front).....
42071	23040	" " Spring.....
1378J	23040	Pressure Regulating Thumb Screw.....
42250	23041	Spreader.....
42073	23041	" Lever with 1259C.....
42221	23038	" " Ball Stud.....
1259C	23041	" " " " Set Screw.....
42075	23038	" " Connection with four 896C
896C	23038	" " " " Cap (lower) Screw.....
896C	23038	Spreader Lever Connection Cap (upper) Screw.....
42077	23038	Spreader Lever Connection Guide.....
171F	23038	" " " " " Screw...
42106	23038	" " " " Oil Tube and Bracket with 29599.....

MACHINE BASE

No.	Plate	Name
42088	23044	Machine Cushion (felt).....
935E	23044	" " Screw.....
66707	23044	" " Washer.....

FOOT LIFTER PARTS

No.	Plate	Name
6439	23045	Chain, 36 in. to 45 in. with 56864 and 56865.....
Note: When ordering No. 6439, state length required.		
4879	23045	Chain Connecting Link.....
56864	23045	" Hook (large).....
56865	23045	" " (small).....
42281	23045	Lifting Lever.....
42282	23045	" " Bracket.....
1288R	23045	" " " Screw.....
1301D	23045	" " Hinge Screw.....
25033	23045	" " Spring.....
440F	23045	" " Stop Screw.....
1547J	23045	" " " " Nut.....
4881	23045	Treadle.....
4882	23045	" Shaft.....
4883	23045	" Spring.....
4884	23045	" Stand.....
4885	23045	Treadle complete, Nos.4879, 4881 to 4884 and two wood screws 1 in. No. 16....
42283	-----	Foot Lifter complete, Nos. 440F, 1288R, 1301D,1547J,4885,6439,25033,42281 and 42282.....

KNEE LIFTER PARTS

No.	Plate	Name
42281	23045	Lifting Lever.....
42282	23045	" " Bracket.....
1288R	23045	" " " Screw.....
1301D	23045	" " Hinge Screw.....
17886	23045	" " Pitman.....
25033	23045	" " Spring.....
440F	23045	" " Stop Screw.....
1547J	23045	" " " " Nut.....
2763	23045	Rock Shaft.....
12242	23045	" " Hanger with two wood screws 1 in. No. 10.....
2765	23045	Rock Shaft Knee Arm.....

KNEE LIFTER PARTS

No.	Plate	Name
2766	23045	Rock Shaft Knee Arm Hub with 356C.....
356C	23045	" " " " " Set Screw.....
2768	-----	Rock Shaft Knee Arm complete, Nos. 2765 to 2767.....
2767	23045	Rock Shaft Knee Plate with 356C.....
356C	23045	" " " " " Set Screw.....
6337	23045	" " Lifting Bracket with two 356C
7125	23045	" " " " " Hook.....
356C	23045	" " " " " Set Screw
356C	23045	" " " " " Set Screw....
2770	23045	" " Stop Dog with 140219C.....
140219C	23045	" " " " " Set Screw.....
42143	23045	Rock Shaft complete, Nos.2763,2768,6337, 7125 and two each 2770 and 12242....
42284	-----	Knee Lifter complete, Nos. 440F, 1288R, 1301D,1547J,17886,25033,42143,42281 and 42282.....

KNIFE GRINDER

No.	Plate	Name
41326	23044	Emery Wheel.....
1508C	23044	" " Clamping Nut.....
41327	23044	" " Shaft.....
41328	23044	" " " Pulley with 1036C.....
1036C	23044	" " " " " Set Screw.....
41513	23044	" " Washer.....
41329	23044	Frame with 1036C.....
878D	23044	" Oil Hole Stop Screw.....
41818	23044	Knife Holder with two 14222.....
150210	23044	" " 41818 with 970D,41331,41332 and two each 313C,771D,1519E,41333 and 41334.....
41331	23044	Knife Holder Bracket with 157E.....
157E	23044	" " " Clamping Screw....
42065	23044	" " " Hinge Stud.....
1036C	23044	" " " " " Set Screw
717C	23044	" " " " " Stop Screw.....
1520E	23044	" " " " " Nut.....
41333	23044	" " Clamp.....
41334	23044	" " " Spring.....
14222	23044	" " " Steady Pin.....
771D	23044	" " " Thumb Screw.....
970D	23044	" " Regulating Thumb Screw....
313C	23044	" " Screw Center.....
1519E	23044	" " " " Nut.....
41332	23044	" " Spring.....

KNIFE GRINDER

No.	Plate	Name
41819	23044	Knife Grinder complete, Nos. 717C, 1508C, 1520E, 41326 to 41329, 42065, 150210, two each 878D, 41513 and three wood screws 1 1/4 in. No. 12..

THREAD UNWINDER

(FOR ONE SPOOL)

No.	Plate	Name
225259	23046	Spool Rest with 201018C.....
150203	23046	" " Cushion (felt).....
150078	23046	" " Rod.....
200383C	23046	" " Set Screw.....
201018C	23046	" " Set Screw.....
202490	23046	" Stand with 200383C.....
150079	23046	Thread Guide with 208E.....
208E	23046	" " Screw.....
150080	23046	Thread Unwinder complete, Nos. 150078, 150079, 150203, 202490, 225259 and three wood screws 7/8 in. No. 12....
27739	23046	Thread Cone (wood) for large cones.....

Note: No. 27739 is used with, but not included in 150080.

Genuine Singer Needles should be used in Singer Machines. These Needles and their Containers are marked with the Company's Trade Mark "SIMANCO." 1

Needles in Containers marked "For Singer Machines" are not Singer made needles. 2

NUMERICAL LIST OF PARTS

No.	Plate	Name
93C	23041	Needle Bar Thread Retainer Screw.....
133F	23042	Knife (movable) Holder Screw for 132927.
157E	23040	Feed Rock Shaft Crank Clamping Screw for 42021.....
157E	23044	Knife Grinder Knife Holder Bracket Clamping Screw for 41331.....
171F	23038	Needle Bar Connecting Rod Guide Screw...
171F	23041	" Guard Screw.....
171F	23038	Spreader Lever Connection Guide Screw...
175E	23038	Knife (movable) Lever Connection Cap Screw for 42217.....
190D	23040	Feed Dog Screw.....
190J	23042	Frame Side Cover (right) Lock Spring Screw for 132604.....
190J	23042	Frame Top Cover Extension Screw.....
190D	23040	Presser Lever Lifter Screw (front).....
197J	23041	Spreader Screw.....
197F	23041	Thread (needle) Take-up Screw.....
207J	23042	Feed Eccentric Cover Screw for 132604...
208E	23046	Thread Unwinder Thread Guide Screw for 150079.....
217J	23041	Thread (needle) Eyelet Screw.....
220E	23042	Knife (movable) Holder Cap Screw for 132927.....
223F	23041	Needle Bar Connecting Link Hinge Pin Set Screw for 42291.....
228J	23041	Needle Bar Thread Retainer Bracket Screw
229E	23039	Cloth Plate Extension (bottom) Screw for 132503.....
229E	23039	Cloth Plate Extension (top) Screw for 132503.....
233J	23040	Feed Regulator Stop Screw for 42014.....
233J	23040	Presser Foot Chaining-off Finger Screw for 132516.....
233J	23042	Thread (looper) Eyelet Screw for 42242..
236J	23039	Cloth Plate Lock Spring Screw for 132503
283D	23042	Feed Eccentric Cover Holder Thumb Screw.
313C	23044	Knife Grinder Knife Holder Screw Center for 150210.....
330W	23039	Frame Side Cover (left) Screw.....
330W	23039	" " " (right) Screw.....
336F	23042	Knife (movable) Holder Guide Set Screw for 42038.....
337W	23042	Frame Top Cover Extension Chaining-off Finger Screw for 132931.....

NUMERICAL LIST OF PARTS

No.	Plate	Name
356C	23045	Rock Shaft Knee Arm Hub Set Screw for 2766.....
356C	23045	Rock Shaft Knee Plate Set Screw for 2767
356C	23045	" " Lifting Bracket Hook Set Screw for 6337.....
356C	23045	Rock Shaft Lifting Bracket Set Screw for 6337.....
424C	23038	Balance Wheel Set Screw for 42001.....
440F	23045	Lifting Lever Stop Screw for 42283 and 42284.....
453C	23038	Feed Eccentric Set Screw for 42011.....
462C	23038	" Lifting Eccentric Set Screw for 132506.....
462C	23041	Needle Bar Bushing Set Screw for 42485..
462C	23040	Thread (looper) Tube Set Screw.....
621E	23042	Knife (movable) Holder Guide Plate Screw
624C	23041	Needle Bar Crank Shaft Bushing Set Screw for 42485.....
717C	23044	Knife Grinder Knife Holder Bracket Stop Screw for 41819.....
742F	23039	Frame Top Cover Screw.....
742F	23040	Throat Plate Screw.....
771D	23044	Knife Grinder Knife Holder Clamp Thumb Screw for 150210.....
828C	23042	Tension (looper thread) Screw Stud for 42418.....
878D	23044	Knife Grinder Frame Oil Hole Stop Screw for 41819.....
896C	23038	Needle Bar Connecting Rod Cap (lower) Screw for 42057.....
896C	23038	Needle Bar Connecting Rod Cap (upper) Screw for 42057.....
896C	23038	Spreader Lever Connection Cap (lower) Screw for 42075.....
896C	23038	Spreader Lever Connection Cap (upper) Screw for 42075.....
904C	23041	Needle Bar Connecting Link Hinge Pin Set Screw for 42104.....
916C	23042	Tension (needle thread) Screw Stud for 44209.....
935E	23044	Machine Cushion Screw for 42086.....
949E	23042	Arm Screw.....
949E	23042	Knife (movable) Lever Bracket Screw.....
970D	23044	Knife Grinder Knife Holder Regulating Thumb Screw for 150210.....
1012E	23040	Feed Regulator Connection Adjusting Screw for 42015.....
1036C	23040	Feed Rock Shaft Hinge Pin Bushing Set Screw.....
1036C	23038	Frame Rotary Shaft Bushing (front) Set Screw.....

NUMERICAL LIST OF PARTS

No.	Plate	Name
1036C	23038	Frame Rotary Shaft Crank Set Screw for 42211.....
1036C	23038	Frame Rotary Shaft Flanged Bushing(back) Set Screw.....
1036C	23042	Knife (movable) Lever Hinge Stud Set Screw for 132512.....
1036C	23044	Knife Grinder Emery Wheel Shaft Pulley Set Screw for 41328.....
1036C	23044	Knife Grinder Knife Holder Bracket Hinge Stud Set Screw for 41329.....
1036C	23041	Looper Lever Hinge Stud Set Screw.....
1057C	23038	Feed Connecting Rod Cap Screw for 42008..
1057C	23041	Needle Bar Connecting Bracket Clamping Screw for 42291.....
1094D	23038	Spreader Lever Connection Oil Tube and Bracket Screw.....
1101C	23041	Knife (stationary) Holder Screw.....
1120C	23040	Presser Lever Hinge Stud Set Screw.....
1253C	23040	Feed Bar Hinge Pin Set Screw for 42205..
1256C	23041	Needle Bar Crank (back) Set Screw for 42103.....
1256C	23041	Needle Bar Crank (front) Set Screw for 42104.....
1259C	23040	Feed Regulator Set Screw for 42014.....
1259C	23041	Needle Bar Crank (back) Ball Stud Set Screw for 42103.....
1259C	23041	Needle Bar Crank (back) Position Screw for 42103.....
1259C	23041	Needle Bar Crank (front) Position Screw for 42104.....
1259C	23041	Spreader Lever Ball Stud Set Screw for 42073.....
1259C	23041	Spreader Lever Hinge Pin Bushing Set Screw.....
1288R	23045	Lifting Lever Bracket Screw for 42283 and 42284.....
1301D	23045	Lifting Lever Hinge Screw for 42283 and 42284.....
1324C	23040	Presser Foot Screw.....
1354C	23038	Balance Wheel Position Screw for 42001..
1373C	23038	Feed Connecting Rod Hinge Screw.....
1373C	23040	" Regulator Connection Hinge Screw...
1373C	23038	Knife (movable) Lever Connection Hinge Screw.....
1374C	23040	Feed Regulating Screw Stud.....
1375C	23038	Frame Rotary Shaft Crank Position Screw for 42211.....
1376C	23041	Knife (stationary) Holder Regulating Thumb Screw.....
1378J	23040	Pressure Regulating Thumb Screw.....

NUMERICAL LIST OF PARTS

No.	Plate	Name
1407E	23043	Machine Base Thumb Screw for 3 in. table (Accessories).....
1408E	23043	Machine Base Thumb Screw for 2 in. table (Accessories).....
1437D	23039	Cloth Plate Hinge Screw.....
1508C	23044	Knife Grinder Emery Wheel Clamping Nut for 41819.....
1519E	23044	Knife Grinder Knife Holder Screw Center Nut for 150210.....
1520C	23038	Feed Connecting Rod Hinge Screw Nut....
1520C	23040	" Regulator Connection Hinge Screw Nut
1520C	23038	Knife (movable) Lever Connection Hinge Screw Nut.....
1520E	23044	Knife Grinder Knife Holder Bracket Stop Screw Nut for 41819.....
1520C	23041	Looper Lever Connecting Link Hinge Screw Nut.....
1534D	23041	Knife (stationary) Clamping Stud Thumb Nut.....
1547J	23045	Lifting Lever Stop Screw Nut for 42283 and 42284.....
1547J	23040	Presser Lever Lifter Screw (back) Nut...
1560C	23042	Tension (looper thread) Regulating Thumb Nut for 42418.....
1560C	23042	Tension (needle thread) Regulating Thumb Nut for 44209.....
1655E	23039	Cloth Plate Hinge Screw Nut.....
1680C	23040	Feed Regulating Screw Stud Nut.....
1737C	23041	Needle Clamping Nut.....
2102	23042	Tension (looper thread) Disc for two-thread chain stitch.....
2102	23042	Tension (needle thread) Disc.....
2763	23045	Rock Shaft for 42143.....
2765	23045	" " Knee Arm for 2768.....
2766	23045	" " " Hub with 356C, for 2768.....
2767	23045	Rock Shaft Knee Plate with 356C, for 2768.....
2768	-----	Rock Shaft Knee Arm complete, for 42143, Nos. 2765 to 2767.....
2770	23045	Rock Shaft Stop Dog with 140219C, for 42143.....
4389	23042	Arm Dowel Pin.....
4718	23044	Machine Base Cushion (felt) for 42086...
4822	23043	Wrench for 1547 (Accessories).....
4879	23045	Foot Lifter Chain Connecting Link for 4885.....
4881	23045	Treadle for 4885.....
4882	23045	" Shaft for 4885.....
4883	23045	" Spring for 4885.....

NUMERICAL LIST OF PARTS

No.	Plate	Name
4884	23045	Treadle Stand for 4885.....
4885	23045	Treadle complete for 42283, Nos. 4879, 4881 to 4884 and two wood screws 1 in. No. 16.....
6337	23045	Rock Shaft Lifting Bracket with two 356C, for 42143.....
6439	23045	Foot Lifter Chain, 36 in. to 45 in., with 56864 and 56865, for 42283.....
7125	23045	Rock Shaft Lifting Bracket Hook for 42143.....
8908	23043	Wrench for 1520 and 1655 (Accessories).
9842	23043	Machine Base Thumb Screw Spring Washer (Accessories).....
10107	23041	Needle Bar Thread Retainer Spring.....
10148	23042	Tension (looper thread) Spring for two-thread chain stitch.....
10148	23042	Tension (needle thread) Spring.....
12242	23045	Rock Shaft Hanger with two wood screws 1 in. No. 10, for 42143.....
14063	23043	Machine Base Thumb Screw Spring (Accessories).....
14222	23044	Knife Grinder Knife Holder Clamp Steady Pin for 41818.....
*15404	-----	Trade Mark for 42485.....
15405	-----	" " Rivet for 42485.....
17886	23045	Lifting Lever Pitman for 42284.....
19044	23042	Feed Eccentric Cover Holder Thumb Screw Washer.....
25033	23045	Lifting Lever Spring for 42283 and 42284
27739	23046	Thread Unwinder Thread Cone (wood) for large cones, for 150080.....
29599	23038	Spreader Lever Connection Oil Tube Packing (felt) for 42106.....
38534	23041	Needle Bar (hollow).....
39541	23040	Presser Foot Screw Washer.....
40247	23041	Needle Bar Connecting Link Hinge Pin....
41326	23044	Knife Grinder Emery Wheel for 41819.....
41327	23044	" " " Shaft for 41819.....
41328	23044	" " " Pulley with 1036C, for 41819.....
41329	23044	Knife Grinder Frame with 1036C, for 41819
41331	23044	" " Knife Holder Bracket with 157E, for 150210.....
41332	23044	Knife Grinder Knife Holder Spring for 150210.....
41333	23044	Knife Grinder Knife Holder Clamp for 150210.....
41334	23044	Knife Grinder Knife Holder Clamp Spring for 150210.....
41513	23044	Knife Grinder Emery Wheel Washer for 41819.....

NUMERICAL LIST OF PARTS

No.	Plate	Name
41818	23044	Knife Grinder Knife Holder with two 14222, for 150210.....
41819	23044	Knife Grinder complete, Nos. 717C,1508C, 1520E, 41326 to 41329,42065,150210, two each 878D, 41513 and three wood screws 1 1/4 in. No. 12.....
42001	23038	Balance Wheel, 2 3/16 in. pulley, with 424C and 1354C.....
42005	23039	Cloth Plate Lock Spring for 132503.....
42007	23040	Feed Bar Hinge Pin.....
42008	23038	" Connecting Rod with two 1057C.....
42011	23038	" Eccentric with two 453C.....
42013	23038	" Lifting Eccentric Connection.....
42014	23040	" Regulator with 233J and two 1259C..
42015	23040	" " Connection with 1012E....
42016	23040	" " Hinge Stud.....
42019	23040	" Rock Shaft for 42020.....
42020	-----	Feed Rock Shaft complete, Nos. 42019 and 42021.....
42021	23040	Feed Rock Shaft Crank with 157E, for 42020.....
42024	23038	Frame Rotary Shaft Bushing (front).....
42026	23038	" " Flanged Bushing (back) with 54967.....
42028	23039	Frame Side Cover (right) hinged.....
42038	23042	Knife (movable) Holder Guide with 336F..
42039	23042	" " " Plate.....
42040	23042	" " " Screw Extension Pin for 132927.....
42041	23042	Knife (movable) Holder Spring.....
42042	23042	" " Lever.....
42045	23042	" " Hinge Stud.....
42045	23040	Presser Lever Hinge Stud for 132605.....
42049	23041	Knife (stationary) Stud for 42309.....
42052	23041	Looper Lever Connecting Link.....
42053	23041	" " Hinge Stud.....
42055	23041	Needle Bar Connecting Link.....
42057	23038	" " " Rod with four 896C
42065	23044	Knife Grinder Knife Holder Bracket Hinge Stud for 41819.....
42071	23040	Presser Lever Spring.....
42073	23041	Spreader Lever with 1259C.....
42074	23038	Needle Bar Crank (back) Ball Stud.....
42075	23038	Spreader Lever Connection with four 896C
42077	23038	Needle Bar Connecting Rod Guide.....
42077	23038	Spreader Lever Connection Guide.....
42078	23041	" " Hinge Pin.....
42079	23040	Feed Rock Shaft Hinge Pin Bushing.....
42079	23041	Spreader Lever Hinge Pin Bushing.....
42082	23042	Tension (needle thread) Thread Guide....

NUMERICAL LIST OF PARTS

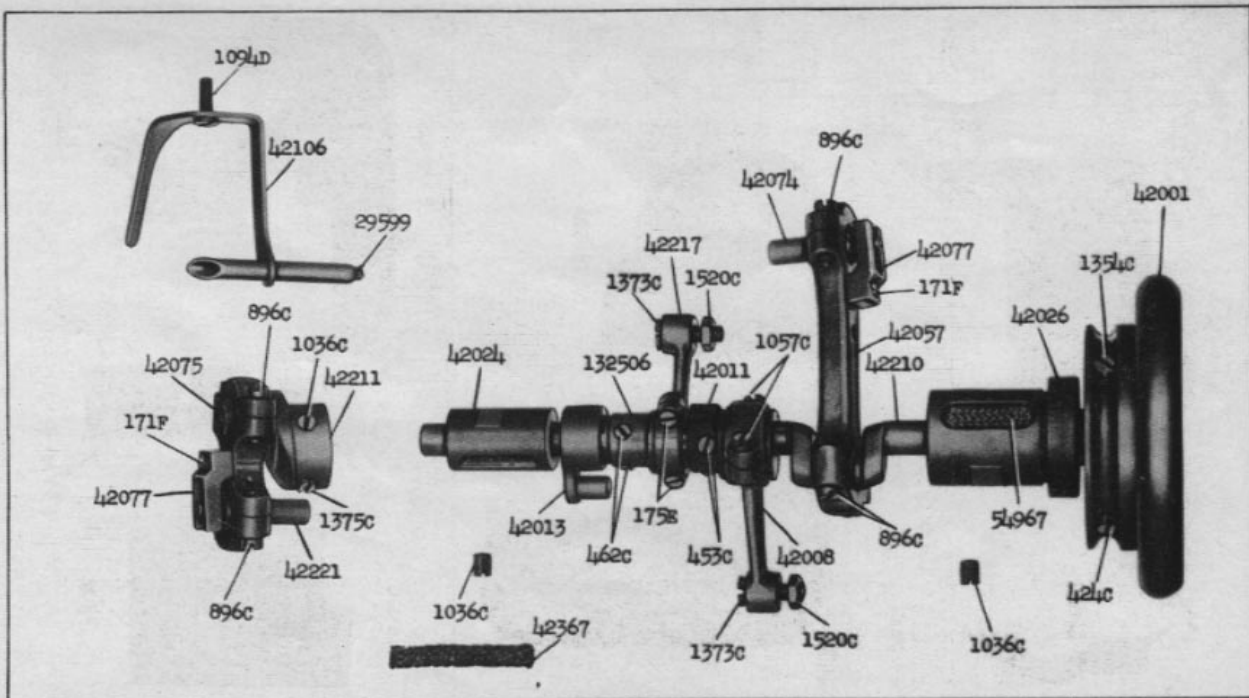
No.	Plate	Name
42084	23040	Thread (looper) Tube.....
42086	23044	Machine Base with three wood screws 1 1/4 in. No. 12 and four each 935E, 4718, 42088 and 66707.....
42088	23044	Machine Cushion (felt) for 42086.....
42089	23043	Wrench for 1324,1374 and 1737 (Accesso- ries).....
42090	23043	Threading Wire (Accessories).....
42096	23042	Thread (needle) Eyelet, for two-thread chain stitch.....
42098	23040	Feed Rock Shaft Hinge Pin.....
42101	23042	Frame Side Cover (right) Lock Spring for 132604.....
42102	23042	Feed Eccentric Cover Holder for 132604..
42103	23041	Needle Bar Crank (back) with 1258C and two 1259C.....
42104	23041	Needle Bar Crank (front) with 904C,1258C and 1259C.....
42105	23041	Needle Bar Crank Shaft.....
42106	23038	Spreader Lever Connection Oil Tube and Bracket with 29599.....
42115	23041	Needle Bar Thread Retainer Bracket.....
42128	23042	Thread (needle) Take-up, for two-thread chain stitch.....
42143	23045	Rock Shaft complete for 42284, Nos.2763, 2768,6337,7125 and two each 2770 and 12242.....
42205	23040	Feed Bar with 1253C.....
42210	23038	Frame Rotary Shaft.....
42211	23038	" " " Crank with 1036C and 1375C.....
42217	23038	Knife (movable) Lever Connection with two 175E.....
42219	23042	Looper, for two-thread chain stitch....
42221	23038	Spreader Lever Ball Stud.....
42231	23039	Cloth Plate Extension (bottom) for 132503.....
42242	23042	Thread (looper) Eyelet, for two-thread chain stitch.....
42250	23041	Spreader.....
42253	23041	Needle Bar Bushing for 42485.....
42281	23045	Lifting Lever for 42283 and 42284.....
42282	23045	" " Bracket for 42283 and 42284
42283	-----	Foot Lifter complete, Nos. 440F, 1288R, 1301D,1547J,4885,6439,25033,42281 and 42282.....
42284	-----	Knee Lifter complete, Nos. 440F, 1288R, 1301D,1547J,17886,25033,42143,42281 and 42282.....
42290	23040	Feed Regulating Screw Stud Nut Washer...

NUMERICAL LIST OF PARTS

No.	Plate	Name
42291	23041	Needle Bar Connecting Bracket with 223F and 1057C.....
42305	23042	Knife (movable).....
42306	23042	" " Gib for 132927.....
42309	23041	" (stationary) with 42049.....
42310	23041	" " Clamping Stud.....
42367	23038	Frame Rotary Shaft Front Bearing Oil Pad (braided cotton).....
42418	-----	Tension (looper thread) Screw Stud 828C with 1560C, for two-thread chain stitch.....
42485	23041	Needle Bar Thread Retainer Disc.....
*42485	-----	Arm with 15404 and two each 462C, 624C, 15405, 42253 and 42497.....
42487	23041	Needle Bar Crank Shaft Bushing for 42485
44209	-----	Tension (needle thread) Screw Stud 916C with 1560C.....
50117C	23041	Looper Set Screw for 132870.....
50378F	23040	Presser Lever Lifter Screw (back).....
50562C	23041	Looper Lever Connecting Link Hinge Screw
54967	23038	Frame Rotary Shaft Flanged Bushing(back) Oil Pad (braided cotton) for 42026..
56864	23045	Foot Lifter Chain Hook (large) for 6459.
56865	23045	" " " " (small) for 6439.
66707	23044	Machine Cushion Screw Washer for 42086..
120341	23043	Tweezers (curved) Accessories.....
120344	23043	Oiler (copper plated) with 120345 (Accessories).....
120345	23043	Oiler Spout, 4 1/2 in. long, for 120344.
120440	23043	Screw Driver (Accessories).....
132300	23042	Frame Top Cover Extension for 132931....
132501	23039	Cloth Plate for 132503.....
132502	23039	" " Extension (top) for 132503..
132503	23039	Cloth Plate complete, Nos. 42005, 42231, 132501, 132502, two 236J and five 229E
132504	23040	Feed Dog, 14 teeth (10 teeth to the inch) for 132521.....
132505	23042	Feed Eccentric Cover for 132604.....
132506	23038	" Lifting Eccentric with two 462C....
*132507	-----	Frame.....
132508	23039	" Top Cover.....
132511	23042	" Top Cover Extension Chaining-off Finger for 132931.....
132512	23042	Knife (movable) Lever Bracket with 1036C
132513	23041	" (stationary) Holder.....
132514	23041	Looper.....
132515	23041	Needle Guard.....
132516	23040	Presser Foot with 233J and 132517.....

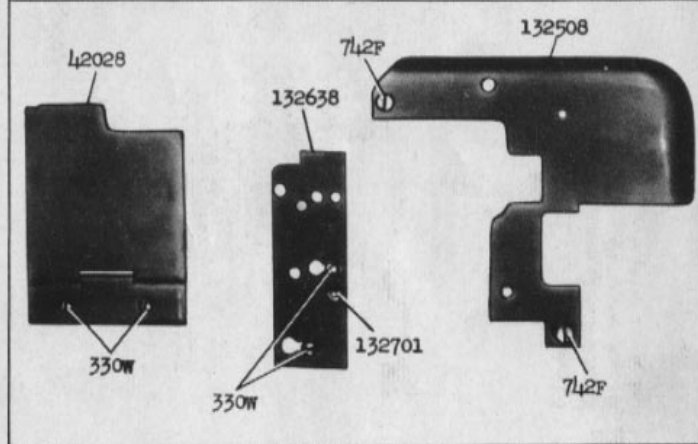
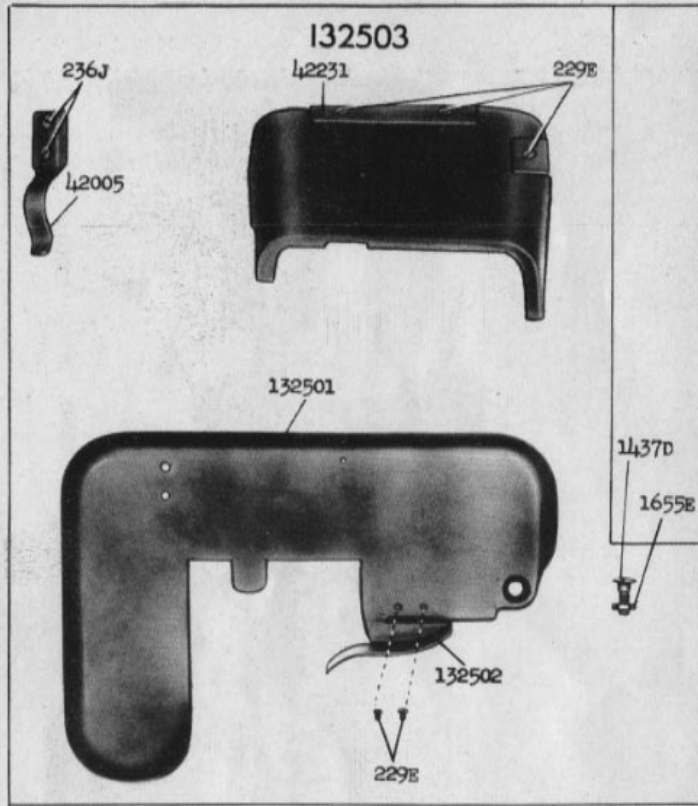
NUMERICAL LIST OF PARTS

No.	Plate	Name
132517	23040	Presser Foot Chaining-off Finger for 132516.....
132518	23040	Presser Lever for 132605.....
132519	23040	" " Lifter.....
132520	23041	Thread (needle) Eyelet.....
132521	23040	Throat Plate for 132504.....
132604	-----	Feed Eccentric Cover Holder 42105 ¹³²⁹³⁴ with 42101, 132505, 132931 and two each 190J and 207J.....
132605	-----	Presser Lever 132518 with 42045.....
132658	23039	Frame Side Cover (left) with 132701....
132701	23039	" " " " Handle for 132638
132870	23041	Looper Lever with 50117C.....
132863	23041	Thread (needle) Take-up.....
132926	23042	Knife (movable) Holder for 132927.....
132927	-----	" " " " 132926 with 133F, 42040, 42306, 132928 and two 220E...
132928	23042	Knife (movable) Holder Cap for 132927...
132931	-----	Frame Top Cover Extension 132300 with 132511 and two 337W, for 132604.....
140219C	23045	Rock Shaft Stop Dog Set Screw for 2770..
150078	23046	Thread Unwinder Spool Rest Rod for 150080.....
150079	23046	Thread Unwinder Thread Guide with 208E, for 150080.....
150080	23046	Thread Unwinder complete, for one spool, Nos. 150078, 150079, 150203, 202490, 225259 and three wood screws 7/8 in. No. 12.....
150203	23046	Thread Unwinder Spool Rest Cushion (felt) for 150080.....
150210	23044	Knife Grinder Knife Holder 41818 with 970D, 41331, 41332 and two each 313C, 771D, 1519E, 41333 and 41334, for 41819
200383C	23046	Thread Unwinder Spool Rest Rod Set Screw for 202490.....
201018C	23046	Thread Unwinder Spool Rest Set Screw for 225259.....
202490	23046	Thread Unwinder Spool Stand with 200383C, for 150080.....
225259	23046	Thread Unwinder Spool Rest with 201018C, for 150080.....

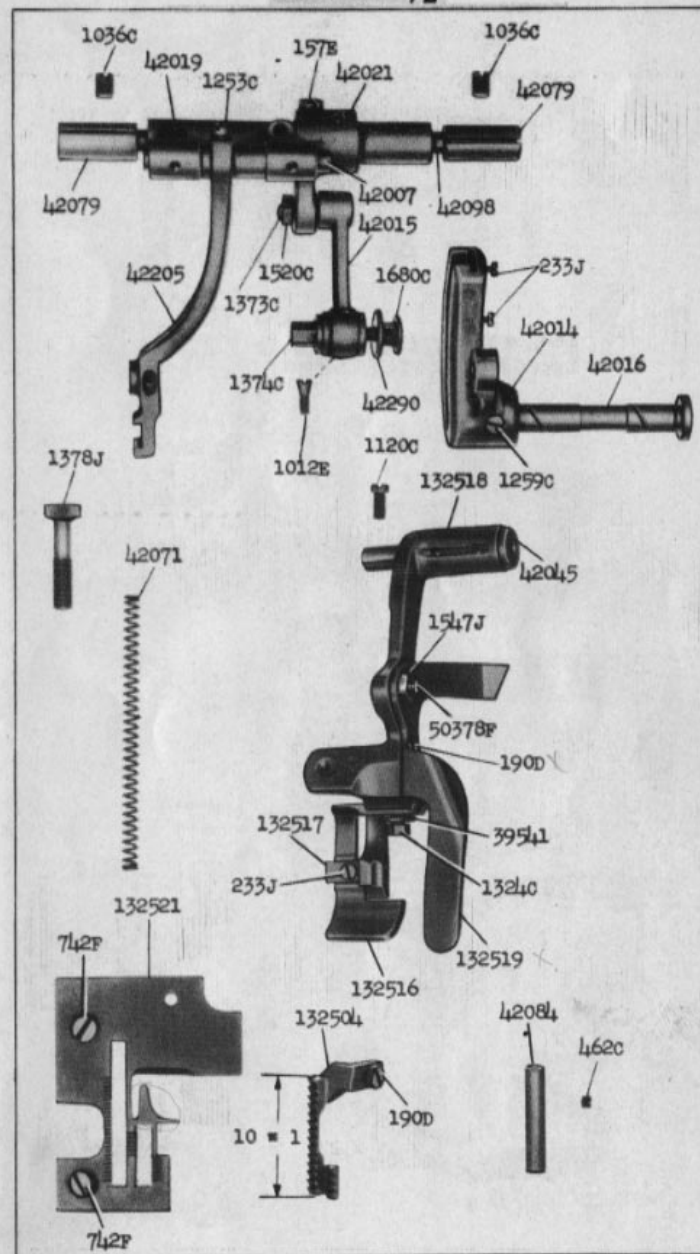


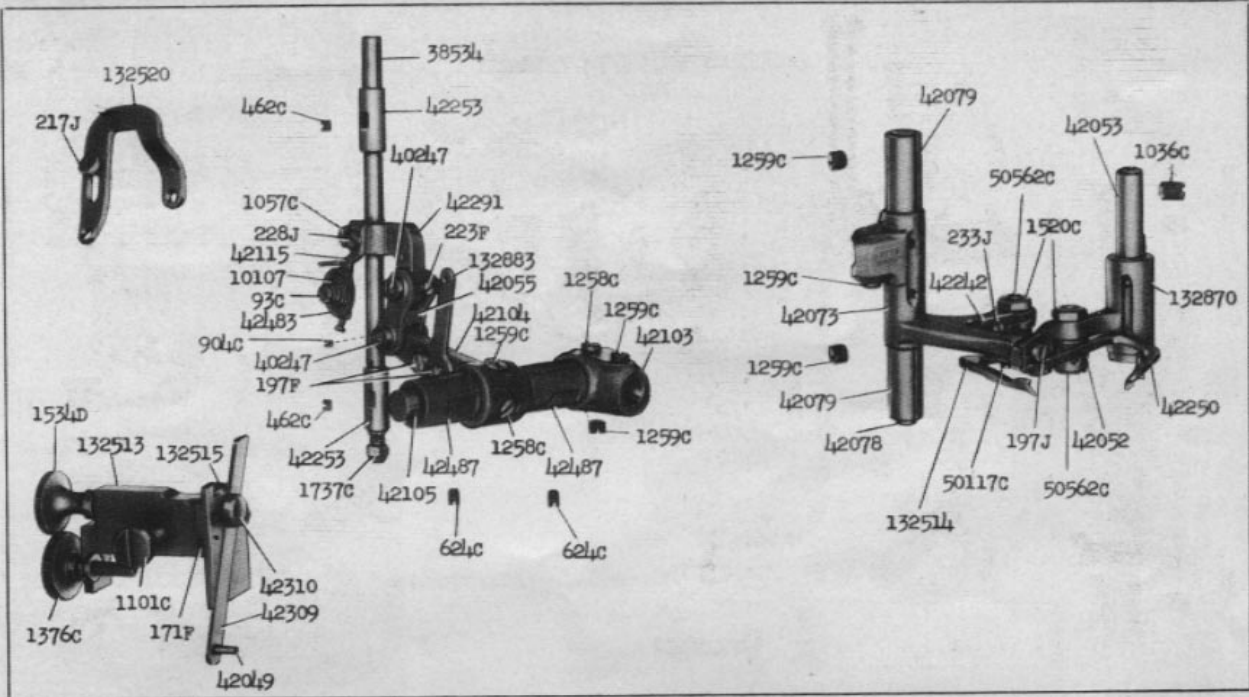
23038 - 1/2

23039 - 1/3



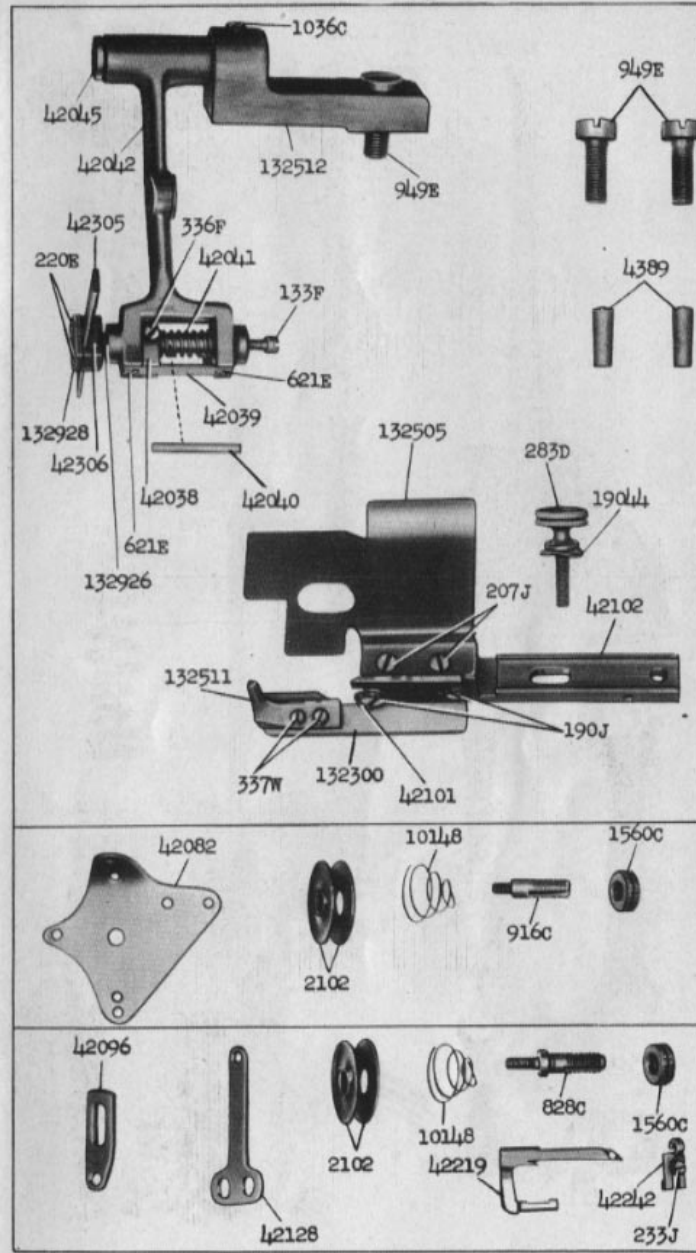
23040 - 1/2



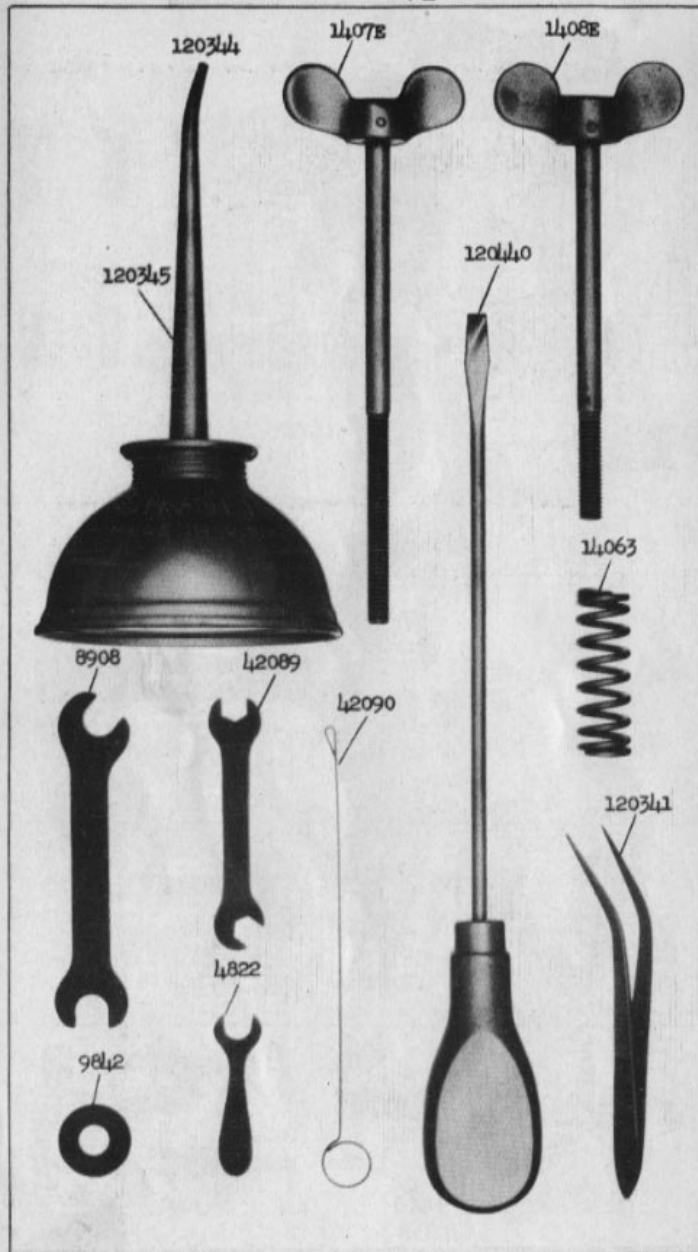


23041 - 1/2

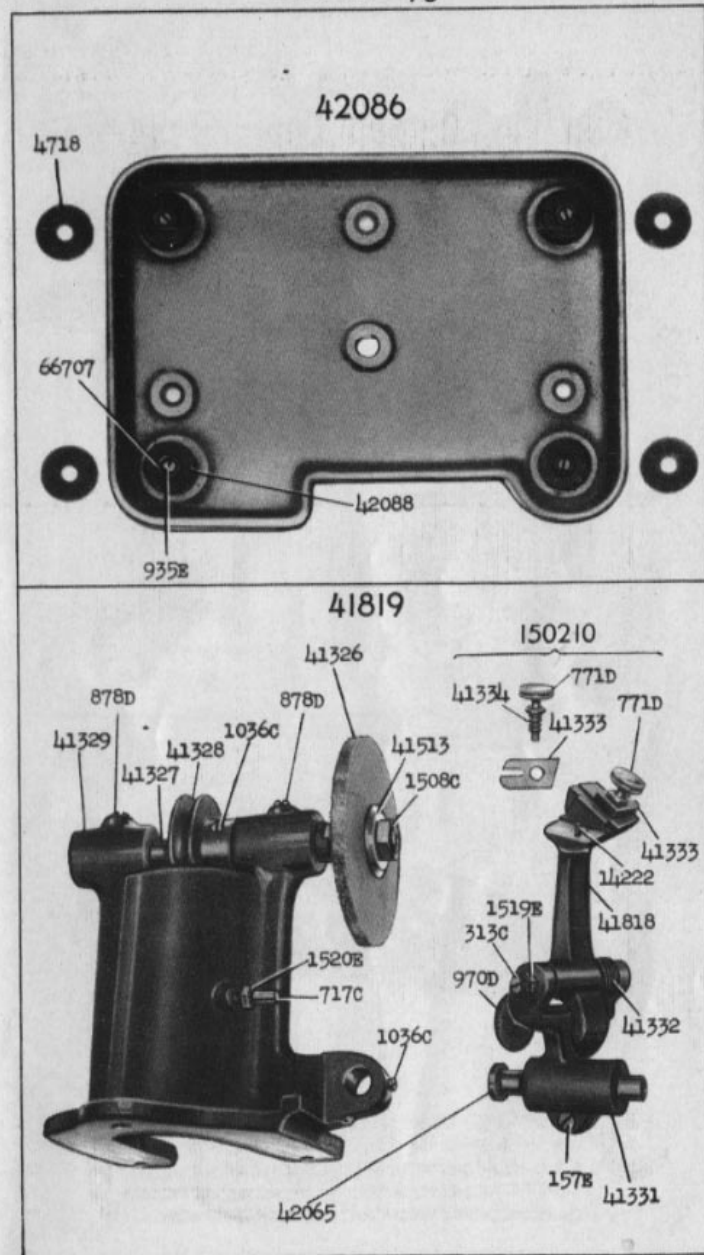
23042 - 1/2

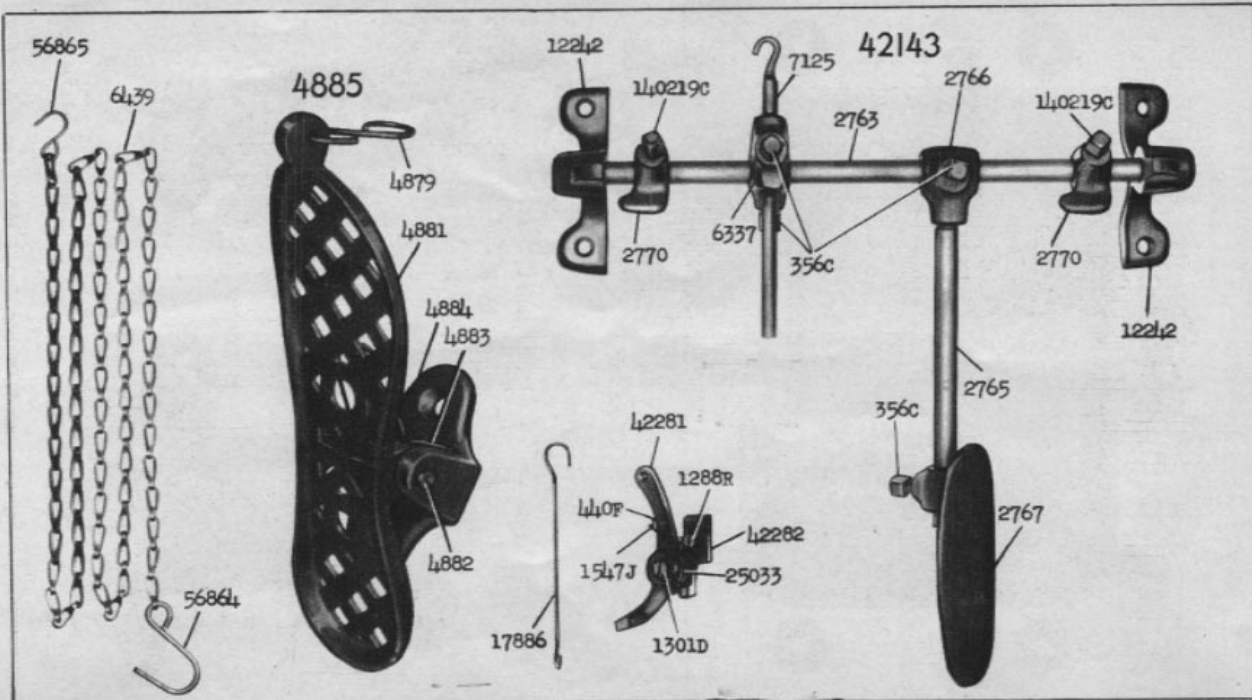


23043 - 1/2



23044 - 1/3





23045 - 1/4

23046 -1/4

150080

