

FORM 8526
NOVEMBER, 1918

PRICE LIST

OF

PARTS



MACHINE No. 82-22

THE SINGER MANUFACTURING COMPANY

COPYRIGHT
U. S. A.,
1916, 1917 AND 1918
BY
THE SINGER MANUFACTURING CO.
ALL RIGHTS RESERVED FOR ALL COUNTRIES

INDEX

	PAGE
ACCESSORIES.....	12
CABINET TRIMMINGS FOR STAND.....	16
IRON BASE.....	12
KNEE LIFTER PARTS.....	12
MACHINE NO. 82-22.....	7
NUMERICAL LIST OF PARTS.....	19
OBSOLETE PARTS.....	18
STAND (HIGH SPEED).....	14
“ (ROCKING TREADLE).....	13
THREAD UNWINDER.....	15
UNDER DRIVER.....	16

INSTRUCTIONS FOR ORDERING

In ordering from this list, use **ONLY** the part **NUMBER** in the **FIRST** column.

The number stamped on a Sewing Machine part is in **every** case the number of the single part only.

Every combination of parts sent out as such has its specific number, which, although not stamped on the parts, must be used when ordering the combination.

Each number always indicates the **SAME PART** in whatever list it appears, or for whatever machine.

The letters after some of the numbers indicate the style of finish only, as follows:

- A. Hardened, Polished and Plated.
- B. Polished and Plated
- C. Hardened only.
- D. Polished only.
- E. Soft, not Polished.
- F. Hardened and Polished.
- G.
- H. Blued.
- J. Plated only.
- K. Hardened and Plated.
- L. Brass or Gilt.
- M. Oxidized.
- P. Japanned.

These letters **MUST BE USED** when they appear in the list, and **AFTER** the number as in the list.

In this series

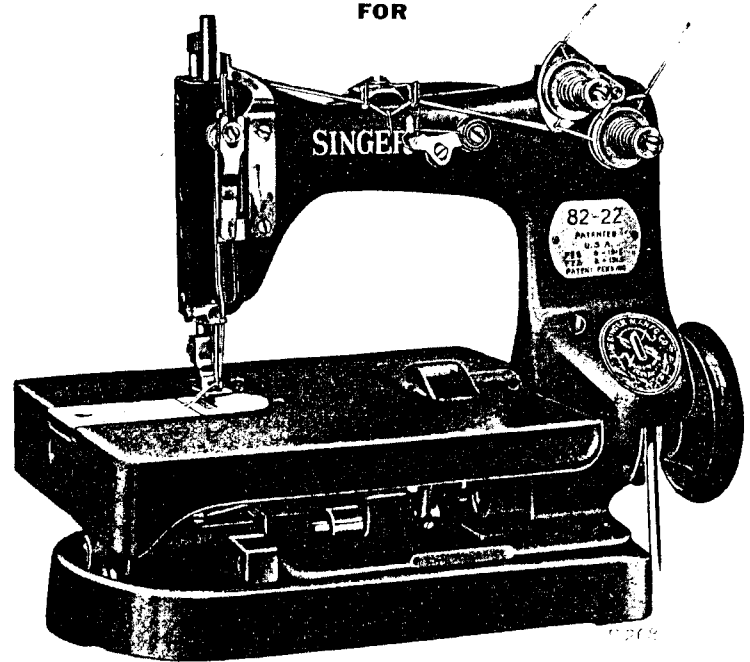
- 1 to 1500 and 50001 to 51500 are Screw Numbers.
- 1501 to 1800 are Nut Numbers.
- 1801 to 2000 are Roller Numbers.
- 2001 to 50000 and 52001 and upward are numbers of Machine Parts.

The figures in the second column refer only to the plates, illustrating the parts, and are **NOT TO BE USED** in ordering.

Parts marked with an asterisk (*) are furnished only when repairs are made at factory.

LIST OF PARTS COMPLETE

FOR



MACHINE No. 82-22

FOR ORNAMMENTING THE BACKS OF GLOVES MADE FROM TRICOT, MILANESE, ETC., ALSO FOR WORK ON HOSIERY. TWO NEEDLES, ONE LOOPER, NEEDLES SET TANDEM. TENSION RELEASE, KNEE LIFTER. IF DESIRED THE MACHINE CAN BE OPERATED WITH ONE THREAD, THE REAR NEEDLE BEING LEFT IN THE MACHINE TO ACT AS A LOOP RETAINER. A SPECIAL THROAT PLATE IS FURNISHED FOR ONE THREAD WORK. BALANCE WHEEL NO. 32026. PULLEY NO. 32027, DIAMETER OF BELT GROOVE 2 INCHES.

FORMERLY 82 S. V. 9 MACHINE. SUPERSEDES NO. 82-21 MACHINE

NO.	PLATE	NAME	EACH
*57105	—	Arm, upper and lower (solid) with 130b, 42619 and two each 462c, 1259c, 9830 and 42602.....	\$12 00
42599	5133	Arm Rock Shaft.....	50
42600	5134	“ “ “ Crank (back) with two 1259c.....	75

NO.	PLATE	NAME	EACH
1057E	6935	Looper Driving Shaft Crank (left) Clamping Screw	\$ 04
57062	6935	Looper Driving Shaft Crank (right) with 1057E and 1935	1 00
1057E	6935	Looper Driving Shaft Crank (right) Clamping Screw	04
1935	6935	Looper Driving Shaft Crank (right) Roller and Stud	20
54648	5136	Looper Driving Shaft Oil Pad (braided cotton)	01
50138F	6934	Looper Screw	02
57063	6935	Needle Bar with two 57066	75
9830	5135	" " Bushing	25
462C	5135	" " " Set Screw	02
34170	5135	" " Connecting Link with two 1313E	25
1313E	5135	Needle Bar Connecting Link Adjusting Screw	02
50026C	5135	Needle Bar Connecting Link Hinge Stud	12
1520E	5134	" " " " " " Nut	03
9570	5135	Needle Bar Connecting Stud with 207E	30
207E	5134	" " " " Clamping Screw	02
57064	6935	Needle Clamp with 1155F	75
1155F	6935	" " Set Screw	02
57065	6935	" " Spring	02
1380D	6935	" " " Screw	02
57066	6935	" Stop Pin	per 100
34103	5136	Presser Bar	40
38540	5136	" " Lifter	20
85E	5136	" " " Screw	05
57067	6935	" " Lifting Bracket with 453C	50
57068	6935	" " " " Guide	30
185H	6935	" " " " " Screw	02
453C	6935	" " " " Set Screw	02
9534	6937	" " Spring	06
22405	5136	" " " Washer	01
57069	6937	" Foot Hinge Pin	per 100
57070	—	" " Plate	65
57071	—	" " Shank	60
57072	6936	Presser Foot (hinged) complete, Nos. 57069 to 57071	1 25
185H	6935	Presser Foot Screw	02
1121D	5136	Pressure Regulating Thumb Screw	20
32027	5133	Pulley, 2 in. diam.	50
1167D	6939	" Screw	05

NO.	PLATE	NAME	EACH
57107	6937	Slack Thread Regulating Spring	\$ 05
57108	6937	" " " " Plate	15
227D	6937	" " " " " Screw	02
236D	6937	Slack Thread Regulating Spring Screw	02
57109	6937	" " " " Thread Eyelet	05
190D	6937	Slack Thread Regulating Spring Thread Eyelet Screw	03
7071	6937	Slack Thread Regulating Spring Thread Eyelet Screw Washer	01
2102	5136	Tension Disc	05
1560C	5136	" Regulating Thumb Nut	04
57110	6937	" Releaser	50
2273	6937	" " Pin	01
57111	6937	" " Shaft	10
57112	6937	" " " Crank with 202D	1 00
202D	6937	" " " " Clamping Screw	02
50261C	6937	Tension Screw Stud	15
13914	6937	" Spring	05
13915	6937	" " Bushing	05
57076	5136	" Thread Guide (double)	30
17547	5136	" " (single)	25
57113	6937	Thread Nipper Bracket with 207E and two 57116	1 00
207E	5134	Thread Nipper Bracket Clamping Screw	02
57114	6937	" " Disc	03
50357C	6937	" " " Screw	03
57115	6937	" " " Bushing	10
57116	6937	" " " Steady Pin	01
57116	6937	" " Guide Pin	01
57117	6937	" " Separating Disc	10
57118	6938	" " Spring	10
57119	6938	" " " Bracket and Thread Guide	80
208D	6934	Thread Nipper Spring Bracket and Thread Guide Screw	02
1470D	6938	Thread Nipper Spring Screw	02
36661	6938	" " " " Washer	01
57136	6936	Throat Plate for 1230E, for 57051, for one thread	1 00
57137	6936	Throat Plate for 1230E, for 57051, for two threads	1 00
1230F	6939	Throat Plate Screw	03
42645	6938	" " Steady Pin	01

IRON BASE

NO.	PLATE	NAME	EACH
57008	6929	Machine Base with three wood screws 1¼ in. No. 12 and four each 935D and 42088	\$2 00
42088	6932	Machine Cushion (felt)	02
935D	6932	" " Screw	04

ACCESSORIES

NO.	PLATE	NAME	EACH
1408E	6931	Machine Base Thumb Screw, for 2 in. table	\$ 25
14063	6932	Machine Base Thumb Screw Spring	10
9842	6932	" " " " " Washer	02
—	—	" Wood Screws, 1¼ in. No. 12, for power table	—
36578	6930	Oiler (copper plated) with 36579	10
36579	6930	" Spout, 3½ in. long, with 120117	06
120117	6930	" " Washer (leather)	03
26026	6930	Screw Driver (large)	10
26485	6930	" " (small)	05
36826	6933	Thread Cutter	25
35143	6930	Tweezers, 4 in.	10
8908	6930	Wrench for 1520	08

KNEE LIFTER PARTS

NO.	PLATE	NAME	EACH
14224	—	Chain, length 10¼ in.	\$ 08
57121	6933	Lifting Lever with 2809	50
57081	6938	" " Connection	35
1200D	6938	" " " Hinge Screw	05
21D	6939	" " Hinge Screw	15
2809	6938	" " Pin	01
19081	6932	" " Spring	05
7124	6929	Rock Shaft	10
2764	6929	" " Hanger (back) with two wood screws 1 in. No. 10	08
16128	6929	Rock Shaft Hanger (front) with two wood screws 1 in. No. 10	08
16646	6929	Rock Shaft Knee Arm	10
16647	—	Rock Shaft Knee Arm complete, Nos. 2766, 2767 and 16646	40

KNEE LIFTER PARTS

NO.	PLATE	NAME	EACH
2766	6929	Rock Shaft Knee Arm Hub with 356c	\$ 15
356c	3817	" " " " " Set Screw	06
2767	6929	" " " " " Plate with 356c	18
356c	3817	" " " " " Set Screw	06
6337	6929	" " " " " Lifting Bracket with two 356c	20
6338	6929	" " " " " Hook	15
356c	3817	" " " " " " Set Screw	06
356c	3817	Rock Shaft Lifting Bracket Set Screw	06
2770	6929	" " " " " Stop Dog with 356c	12
356c	3817	" " " " " Set Screw	06
16129	6929	Rock Shaft complete, Nos. 2764, 6337, 6338, 7124, 16128, 16647 and two 2770.	1 25
57122	—	Knee Lifter complete, Nos. 21D, 1200D, 14224, 16129, 19081, 57081 and 57121.	2 45

STAND

ROCKING TREADLE, BALL BEARING PITMAN, COVER SET

NO.	PLATE	NAME	EACH
46536	2187	Band Wheel, 13 in. diam., with 972c	\$1 50
25055	6932	" " Brake Ball (rubber)	03
28270	2187	" " Crank	15
46535	—	Band Wheel Crank and Pitman (ball bearing) complete, Nos. 1520E, 25371, 28270, 46506 to 46509, 46517, 46630, 46655 and six 25362	1 45
297c	3826	Band Wheel Crank Screw Centre	10
1507J	3826	" " " " " Nut	05
972c	3826	" " Set Screw	08
46545	—	Belt, size ¾ in., length 54½ in., with 25028	20
25028	3817	Belt Hook, for ¾ in. belt	01
25385	2187	Brace with three each 297c and 1507J	1 45
748E	3817	" Screw	08
25053	2187	Dress Guard	25
504E	6939	" " Bolt with 1510E	03
1510E	3817	" " " Nut	02
25386	2187	Leg with two each 25068 and 25069	1 80
25068	6930	" Roller	05
25069	6930	" " Pin	01
25362	3826	Pitman Ball, size ¾ in. per 100	80
46506	3826	" " Bearing Adjusting Screw Ring	15

STAND

NO.	PLATE	NAME	EACH
46507	3826	Pitman Ball Bearing Adjusting Screw Ring Locking Washer (brass) . . . per 100	\$ 25
46508	3826	Pitman Ball Bearing Ring	10
46509	3826	" " Case	25
46655	3826	" " Separator	05
46517	2187	" Rod with 25360	15
*25360	—	" " Ball	10
25371	3826	" " Bushing	15
25361	3826	" " " Screw Bearing	10
46630	—	" " " " " 25361 with 1670E	15
1670E	3826	Pitman Rod Ball Screw Bearing Nut . . .	05
1520E	3826	" " Lock Nut	03
46518	2187	Treadle	65
297C	3826	" Screw Centre	10
1507J	3826	" " " Nut	05
25086	2187	Wrench for 1507, 1510 and 1670	10
25200	2187	" " 972	10
25269	—	Stand (iron work) complete, Nos. 504E, 25053, 25055, 25086, 25200, 25385, 46518, 46535, 46536, two 25386 and four 748E	—

STAND

HIGH SPEED

NO.	PLATE	NAME	EACH
25329	3813	Band Wheel, 16 in. diam., with 1312C . . .	\$1 25
1312C	3817	" " Set Screw	08
25447	3818	" " Shaft	40
25426	3815	" " " Driver (left)	20
25427	3815	" " " " " Clutch (left)	10
25428	3815	Band Wheel Shaft Driver (left) Clutch (right) with 5564	10
25425	3817	Band Wheel Shaft Driver (left) Clutch Spring	05
5564	3817	Band Wheel Shaft Driver (left) Clutch Spring Hook	01
25422	3815	Band Wheel Shaft Driver (right)	20
25423	3815	" " " " " Clutch (left)	10
25424	3815	Band Wheel Shaft Driver (right) Clutch (right) with 5564	10
25425	3817	Band Wheel Shaft Driver (right) Clutch Spring	05

STAND

NO.	PLATE	NAME	EACH
5564	3817	Band Wheel Shaft Driver (right) Clutch Spring Hook	\$ 01
25429	3815	Band Wheel Shaft Driving Flange with 356c	40
356c	3817	Band Wheel Shaft Driving Flange Set Screw	06
46544	—	Belt, size $\frac{3}{2}$ in., length $58\frac{1}{2}$ in., with 25028	20
25028	3817	Belt Hook	01
25448	3818	Brace	1 20
748E	3817	" Screw	08
25431	3813	Driving Arm (left) with 435c and 25435 . .	75
25432	3813	" " (right) with 435c and 25435 . . .	75
25433	3816	" " Hinge Pin	10
435c	3817	" " " " Set Screw	04
25434	3815	" Pinion	40
25451	3813	" Segment (rack)	25
534E	3817	" " Bolt with 1510E	03
1510E	3817	" " " Nut	02
25446	3817	" " " Washer	02
25349	3813	Foot Rest	15
25350	3817	" " Cotter Pin	01
25435	3816	" " Hinge Pin	10
25436	3813	Leg (left)	1 50
25437	3813	" (right)	1 60
25449	3818	" Stay Rod	40
1508E	3817	" " " Nut	06
25086	2187	Wrench for 1510	10
25258	—	Stand (iron work) complete, Nos. 25086, 25329, 25422 to 25424, 25426 to 25428, 25431, 25432, 25436, 25437, 25447 to 25449, two each 25349, 25350, 25425, 25429, 25433, 25434, 25451 and four each 534E, 748E, 1508E and 25446	—

THREAD UNWINDER

FOR TWO SMALL SPOOLS

NO.	PLATE	NAME	EACH
27702	6932	Spool Pin	\$ 05
27450	6929	" Rest with 145F and two 27702	18
145F	6939	" " Set Screw	04
41547	—	Spool Weight complete, Nos. 10243 and 41546	07

THREAD UNWINDER

NO.	PLATE	NAME	EACH
41546	6932	Spool Weight Centre Pin.....	\$ 05
10243	6932	" " " " Washer.....	02
41541	6930	" " Thread Guide with 41542..	25
41542	6932	" " " " Centre Pin..	05
27451	6929	Stand.....	25
27453	6929	Thread Eyelet Rod.....	15
27446	6929	" " Wire (left).....	05
27452	6929	" " " (right).....	05
27454	—	Thread Eyelet complete, Nos. 27446, 27452 and 27453.....	25
41831	6929	Thread Unwinder complete, Nos. 27450, 27451, 27454, two each 41541, 41547 and three wood screws 1 in. No. 10....	1 30

CABINET TRIMMINGS FOR STAND

NO.	PLATE	NAME	EACH
28013	6930	Belt Hole Bushing (round, brass).....	\$ 04
28079	6930	End Leaf Hinge.....	03
25168	6929	" " Support Bracket.....	10
25150	6929	" " " Lever.....	10
25143	6932	" " " " Hinge Pin.....	01
25162	6929	End Leaf Support complete, Nos. 25143, 25150, 25168 and two wood screws 5/8 in. No. 7.....	20
50314J	6931	Machine Thumb Screw.....	20
14063	6932	" " " Spring.....	10
9842	6932	" " " Washer.....	02

UNDER DRIVER

LEVER PRESSURE (RIGHT HAND) TWO SPEED

NO.	PLATE	NAME	EACH
27593	6930	Brake (fibre).....	\$ 05
27594	1164	" Bracket with 27593 and two 327E..	25
927C	2186	" " Adjusting Screw.....	12
1513J	2186	" " " " Nut.....	05
307C	2186	" " Screw Centre.....	06
1513J	2186	" " " " Nut.....	05
327E	2186	" Screw.....	05
27595	1164	Cone Pulley (grooved) two speed, 4 1/2 in. and 5 1/2 in. diam., with 27473E.....	1 00
27473F	2186	Cone Pulley Centre Bearing.....	08
27888	6929	Dress Guard (right hand).....	20
354c	2186	" " Screw.....	06
2018	2186	" " " Washer.....	01

UNDER DRIVER

NO.	PLATE	NAME	EACH
27597	1164	Driving Pulley (grooved) 6 1/4 in. diam., with 433c, 27598 and two 7958.....	\$1 10
27598	—	Driving Pulley Friction Ring (leather)...	10
7958	2186	" " " " Stop Pin...	01
27631	2186	" " Hollow Stud with 27600..	25
27600	2186	" " " " Position Stud	02
356c	3817	Driving Pulley Hollow Stud Set Screw...	06
27632	—	" " " " Wick.....	01
27633	—	" " " " Wire with 27632.....	05
433c	2186	Driving Pulley Screw Centre Bearing...	08
7958	2186	" " " " " Dowel Pin.....	01
27601	1164	Frame.....	85
27605	1164	Lever.....	35
27606	2186	" Centre Plug (wood).....	01
427E	2186	" " " Adjusting Screw.....	08
1508E	2186	" " " " Nut...	06
307c	2186	" Screw Centre.....	06
1513J	2186	" " " Nut.....	05
27607	6930	" Spring.....	10
27070	1165	Shaft Driving Pulley (sectional, grooved) 10 in. diam., 1 3/8 in. bore, with two 597c	95
597c	2186	Shaft Driving Pulley Clamping Screw...	08
27636	1165	Treadle.....	50
9082	2186	" Bearing Cotter Pin.....	01
27637	1164	" Pitman Rod (lower).....	05
27638	2186	" " " Spring.....	03
6055	6938	" " " " Washer	01
27639	1164	" " " (upper).....	05
9079	1164	" " " Clamp with 354c...	15
354c	2186	" " " " Screw.....	06
27640	1164	Treadle Pitman complete, Nos. 2762, 6055, 9079 and 27637 to 27639.....	35
2878	1165	Treadle Stand.....	20
2762	2186	" Stop Collar with 362F.....	10
362F	2186	" " " Set Screw.....	05
27642	—	Treadle complete, Nos. 2878, 9082, 27636 and four wood screws 1 in. No. 16....	70
27643	—	Treadle and Pitman complete, Nos. 27640 and 27642.....	1 05
27889	—	Transmitter complete for 27890, Nos. 354c, 356c, 427E, 927c, 1508E, 2018, 27594, 27595, 27597, 27601, 27605 to 27607, 27631, 27633, 27888, three wood screws 1 1/2 in. No. 16, four 307c and five 1513J.....	4 50

UNDER DRIVER

NO.	PLATE	NAME	EACH
27890	---	Under Driver, lever pressure (right hand) two speed, complete, Nos. 27070, 27643 and 27889.....	\$5 75

UNDER DRIVER**LEVER PRESSURE (LEFT HAND) TWO SPEED**

This Under Driver is the same as No. 27890 with the following exceptions:

NO.	PLATE	NAME	EACH
27596	1164	Dress Guard (left hand) in place of 27888	\$ 20
27891	---	Transmitter complete for 27892, Nos. 354c, 356c, 427c, 927c, 1508c, 2018, 27594 to 27597, 27601, 27605 to 27607, 27631, 27633, three wood screws 1½ in. No. 16, four 307c and five 1513i, in place of 27889.....	4 50
27892	---	Under Driver, lever pressure (left hand) two speed, complete, Nos. 27070, 27643 and 27891.....	5 75

OBSOLETE PARTS

NO.	PLATE	NAME	EACH
57060	---	Looper Driving Shaft Cam with two 1036c, use 57169.....	\$1 25
38617	6938	Presser Bar Spring.....	06
57120	6936	Throat Plate for 50027, for 57051, for one thread.....	1 00
57079	6936	Throat Plate for 50027, for 57051, for two threads.....	1 00
50027F	6939	Throat Plate Screw.....	04

NUMERICAL LIST OF PARTS

FOR

MACHINE No. 82-22

NUMERICAL LIST OF PARTS

NO.	PLATE	NAME	EACH
21b	6939	Lifting Lever Hinge Screw for 57122.....	\$ 15
85E	5136	Presser Bar Lifter Screw	05
130b	6939	Feed Rock Shaft Bracket Screw for 57105	06
141E	6939	Looper Driving Shaft Bracket Screw.....	01
145F	6939	Thread Unwinder Spool Rest Set Screw for 27450.....	01
157D	5135	Feed Regulator Clamping Screw for 42670	01
157D	5135	" Rock Shaft Crank Clamping Screw for 42620.....	01
171E	5134	Connecting Rod Cap Screw for 57098.....	03
185H	6935	Presser Bar Lifting Bracket Guide Screw.....	02
185H	6935	" Foot Screw	02
190b	6937	Feed Dog Screw	03
190b	6937	Slack Thread Regulating Spring Thread Eyelet Screw	03
197D	5135	Looper Carrier Holder Crank Clamping Screw for 42692	02
199D	6939	Arm Rotary Shaft Screw	01
202F	6937	Looper Carrier Holder Bushing Set Screw for 57059.....	02
202D	6937	Tension Releaser Shaft Crank Clamping Screw for 57112	02
207F	5134	Feed Rock Shaft Collar Set Screw for 21509	02
207E	5134	Needle Bar Connecting Stud Clamping Screw for 9570	02
207E	5134	Thread Nipper Bracket Clamping Screw for 57113.....	02
208E	6934	Looper Carrier Slide Block Ball Stud Clamping Screw for 57057	02
208D	6934	Thread Nipper Spring Bracket and Thread Guide Screw	02
227D	6937	Slack Thread Regulating Spring Plate Screw.....	02
233D	5135	Feed Regulator Stop Screw for 42670	02
236D	6937	Slack Thread Regulating Spring Screw	02
297C	3826	Band Wheel Crank Screw Centre for 25385	10
297C	3826	Treadle Screw Centre for 25385.....	10
307C	2186	Under Driver Brake Bracket Screw Centre for 27889 and 27891	06
307C	2186	Under Driver Lever Screw Centre for 27889 and 27891	06

NUMERICAL LIST OF PARTS

NO.	PLATE	NAME	EACH
327E	2186	Under Driver Brake Screw for 27594	\$ 05
354c	2186	“ “ Dress Guard Screw for 27889 and 27891	06
354c	2186	Under Driver Treadle Pitman Rod Clamp Screw for 9079	06
356c	3817	Band Wheel Shaft Driving Flange Set Screw for 25429	06
356c	3817	Rock Shaft Knee Arm Hub Set Screw for 2766	06
356c	3817	Rock Shaft Knee Plate Set Screw for 2767	06
356c	3817	“ “ Lifting Bracket Hook Set Screw for 6337	06
356c	3817	Rock Shaft Lifting Bracket Set Screw for 6337	06
356c	3817	Rock Shaft Stop Dog Set Screw for 2770	06
356c	3817	Under Driver Driving Pulley Hollow Stud Set Screw for 27889 and 27891	06
362F	2186	Under Driver Treadle Stop Collar Set Screw for 2762	05
378c	5134	Connecting Rod Hinge Screw	10
387F	6939	Cloth Plate Screw	06
427E	2186	Under Driver Lever Centre Plug Adjusting Screw for 27889 and 27891	08
433c	2186	Under Driver Driving Pulley Screw Centre Bearing for 27597	03
435c	3817	Driving Arm Hinge Pin Set Screw for 25431 and 25432	04
448c	6934	Looper Carrier Lever Hinge Stud Set Screw for 42619	03
453c	6935	Presser Bar Lifting Bracket Set Screw for 57067	02
454c	5136	Looper Driving Shaft Collar Set Screw for 19009	02
462c	5135	Needle Bar Bushing Set Screw for 57105	02
504E	6939	Dress Guard Bolt with 1510E, for 25269	03
534E	3817	Driving Segment Bolt with 1510E, for 25258	03
578D	6939	Cloth Plate Slide Spring Screw for 57049	02
597c	2186	Under Driver Shaft Driving Pulley Clamping Screw for 27070	08
748E	3817	Brace Screw for 25258 and 25269	08
906c	6934	Looper Carrier Hinge Pin Set Screw for 57053	02
927c	2186	Under Driver Brake Bracket Adjusting Screw for 27889 and 27891	12
935D	6932	Machine Cushion Screw for 57008	04
972c	3826	Band Wheel Set Screw for 46536	08

NUMERICAL LIST OF PARTS

NO.	PLATE	NAME	EACH
1036c	6934	Looper Carrier Lever Cam Set Screw for 57058	\$ 03
1036c	6934	Looper Driving Shaft Cam Set Screw for 57060 and 57160	03
1038c	5135	Feed Regulator Adjusting Screw	10
1057E	5135	“ Connecting Rod Cap Screw for 42507	04
1057E	6935	Looper Driving Shaft Crank (left) Clamping Screw for 57061	04
1057E	6935	Looper Driving Shaft Crank (right) Clamping Screw for 57062	04
1121D	5136	Pressure Regulating Thumb Screw	20
1147c	5135	Feed Bar Hinge Stud Set Screw for 42620	03
1155F	6935	Needle Clamp Set Screw for 57064	02
1167D	6939	Pulley Screw	05
1200D	6938	Lifting Lever Connection Hinge Screw for 57122	05
1230F	6939	Throat Plate Screw for 57136 and 57137	03
1259c	5134	Arm Rock Shaft Crank (back) Position Screw for 42600	03
1259c	5134	Arm Rock Shaft Crank (back) Set Screw for 42600	03
1259c	5134	Arm Rock Shaft Crank (front) Position Screw for 42601	03
1259c	5134	Arm Rock Shaft Crank (front) Set Screw for 42601	03
1259c	5134	Arm Rock Shaft Flanged Bushing (back) Set Screw for 57105	03
1259c	5134	Arm Rock Shaft Flanged Bushing (front) Set Screw for 57105	03
1259c	5134	Feed Eccentric Position Screw for 42684	03
1259c	5134	“ “ Set Screw for 42684	03
1312c	3817	Band Wheel Set Screw for 25329	08
1313E	5135	Needle Bar Connecting Link Adjusting Screw for 34170	02
1380D	6935	Needle Clamp Spring Screw	02
1408E	6931	Machine Base Thumb Screw, for 2 in. Table (Accessories)	25
1470D	6938	Thread Nipper Spring Screw	02
1507J	3826	Band Wheel Crank Screw Centre Nut for 25385	05
1507J	3826	Treadle Screw Centre Nut for 25385	05
1508E	3817	Leg Stay Rod Nut for 25258	06
1508E	2186	Under Driver Lever Centre Plug Adjusting Screw Nut for 27889 and 27891	06
1510E	3817	Dress Guard Bolt Nut for 504	02
1510E	3817	Driving Segment Bolt Nut for 534	02

NUMERICAL LIST OF PARTS

NO.	PLATE	NAME	EACH
1513J	2186	Under Driver Brake Bracket Adjusting Screw Nut for 27889 and 27891.....	\$ 05
1513J	2186	Under Driver Brake Bracket Screw Centre Nut for 27889 and 27891.....	05
1513J	2186	Under Driver Lever Screw Centre Nut for 27889 and 27891.....	05
1520E	5134	Connecting Rod Hinge Screw Nut.....	03
1520E	5134	Needle Bar Connecting Link Hinge Stud Nut.....	03
1520E	3826	Pitman Rod Lock Nut for 46535.....	03
1560C	5136	Tension Regulating Thumb Nut.....	04
1589C	5135	Feed Regulator Adjusting Screw Thumb Nut.....	06
1670E	3826	Pitman Rod Ball Screw Bearing Nut for 46630.....	05
1933	6934	Looper Carrier Lever Roller and Stud for 57057.....	18
1935	6935	Looper Driving Shaft Crank (right) Roller and Stud for 57062.....	20
2018	2186	Under Driver Dress Guard Screw Washer for 27889 and 27891.....	01
2102	5136	Tension Disc.....	05
2273	6937	" Releaser Pin.....	01
2762	2186	Under Driver Treadle Stop Collar with 362r, for 27640.....	10
2764	6929	Rock Shaft Hanger (back) with two wood screws 1 in. No. 10, for 16129.....	08
2766	6929	Rock Shaft Knee Arm Hub with 356c, for 16647.....	15
2767	6929	Rock Shaft Knee Plate with 356c, for 16647.....	18
2770	6929	Rock Shaft Stop Dog with 356c, for 16129.....	12
2809	6938	Lifting Lever Pin for 57121.....	01
2878	1165	Under Driver Treadle Stand for 27642.....	20
5564	3817	Band Wheel Shaft Driver (left) Clutch Spring Hook for 25428.....	01
5564	3817	Band Wheel Shaft Driver (right) Clutch Spring Hook for 25424.....	01
6055	6938	Under Driver Treadle Pitman Rod (lower) Spring Washer for 27640.....	01
6337	6929	Rock Shaft Lifting Bracket with two 356c, for 16129.....	20
6338	6929	Rock Shaft Lifting Bracket Hook for 16129.....	15
7070	5135	Feed Regulator Adjusting Screw Sleeve.....	10
7071	6937	Slack Thread Regulating Spring Thread Eyelet Screw Washer.....	01

NUMERICAL LIST OF PARTS

NO.	PLATE	NAME	EACH
7124	6929	Rock Shaft for 16129.....	\$ 10
7958	2186	Under Driver Driving Pulley Friction Ring Stop Pin for 27597.....	01
7958	2186	Under Driver Driving Pulley Screw Centre Bearing Dowel Pin for 27597.....	01
8908	6930	Wrench for 1520 (Accessories).....	08
9079	1164	Under Driver Treadle Pitman Rod Clamp with 354c, for 27640.....	15
9082	2186	Under Driver Treadle Bearing Cotter Pin for 27642.....	01
9534	6937	Presser Bar Spring.....	06
9570	5135	Needle Bar Connecting Stud with 207e.....	30
9830	5135	" " Bushing for 57105.....	25
9842	6932	Machine Base Thumb Screw Spring Washer (Accessories).....	02
9842	6932	Machine Thumb Screw Washer (Cabinet Trimnings for Stand).....	02
10243	6932	Thread Unwinder Spool Weight Centre Pin Washer for 41547.....	02
13914	6937	Tension Spring.....	05
13915	6937	" " Bushing.....	05
14063	6932	Machine Base Thumb Screw Spring (Accessories).....	10
14063	6932	Machine Thumb Screw Spring (Cabinet Trimnings for Stand).....	10
14224	-----	Chain, length 10 1/4 in., for 57122.....	08
16128	6929	Rock Shaft Hanger (front) with two wood screws 1 in. No. 10, for 16129.....	08
16129	6929	Rock Shaft complete for 57122, Nos. 2764, 6337, 6338, 7124, 16128, 16647 and two 2770.....	1 25
16646	6929	Rock Shaft Knee Arm for 16647.....	10
16647	-----	Rock Shaft Knee Arm complete for 16129, Nos. 2766, 2767 and 16646.....	40
17547	5136	Tension Thread Guide (single).....	25
19009	5136	Looper Driving Shaft Collar with two 454c.....	25
19081	6932	Lifting Lever Spring for 57122.....	05
21509	5134	Feed Rock Shaft Collar with 207e.....	15
22405	5136	Presser Bar Spring Washer.....	01
25028	3817	Belt Hook for 46544 and 46545.....	01
25053	2187	Dress Guard for 25269.....	25
25055	6932	Band Wheel Brake Ball (rubber) for 25269.....	03
25068	6930	Leg Roller for 25386.....	05
25069	6930	" " Pin for 25386.....	01
25086	2187	Wrench for 1507, 1510 and 1670, for 25258 and 25269.....	10

NUMERICAL LIST OF PARTS

NO.	PLATE	NAME	EACH
25143	6932	End Leaf Support Lever Hinge Pin for 25162 (Cabinet Trimmings for Stand).	\$ 01
25150	6929	End Leaf Support Lever for 25162 (Cabinet Trimmings for Stand).....	10
25162	6929	End Leaf Support complete, Nos. 25143, 25150, 25168 and two wood screws $\frac{5}{8}$ in. No. 7 (Cabinet Trimmings for Stand).....	20
25168	6929	End Leaf Support Bracket for 25162 (Cabinet Trimmings for Stand).....	10
25200	2187	Wrench for 972 for 25269.....	10
25258	—	Stand (iron work) high speed, complete, Nos. 25086, 25329, 25422 to 25424, 25426 to 25428, 25431, 25432, 25436, 25437, 25447 to 25449, two each 25349, 25350, 25425, 25429, 25433, 25434, 25451 and four each 534E, 748E, 1508E and 25446.....	—
25269	—	Stand (iron work) rocking treadle, ball bearing pitman, cover set, complete, Nos. 504E, 25053, 25055, 25086, 25200, 25385, 46518, 46535, 46536, two 25386 and four 748E.....	—
25329	3813	Band Wheel, 16 in. diam., with 1312c, for 25258.....	1 25
25349	3813	Foot Rest for 25258.....	15
25350	3817	" " Cotter Pin for 25258.....	01
25360	—	Pitman Rod Ball for 46517.....	10
25361	3826	" " " Screw Bearing for 46630.....	10
25362	3826	" " " Ball, size $\frac{3}{16}$ in., for 46535, per 100.....	80
25371	3826	" " " Rod Ball Bushing for 46535.....	15
25385	2187	Brace with three each 297c and 4507c, for 25269.....	1 45
25386	2187	Leg with two each 25068 and 25069, for 25269.....	1 80
Nos. 25422 to 25429 for 25258.			
25422	3815	Band Wheel Shaft Driver (right).....	20
25423	3815	" " " " " Clutch (left).....	10
25424	3815	Band Wheel Shaft Driver (right) Clutch (right) with 5564.....	10
25425	3817	Band Wheel Shaft Driver (right) Clutch Spring.....	05
25425	3817	Band Wheel Shaft Driver (left) Clutch Spring.....	05
25426	3815	Band Wheel Shaft Driver (left).....	20
25427	3815	" " " " " Clutch (left).....	10

NUMERICAL LIST OF PARTS

NO.	PLATE	NAME	EACH
25428	3815	Band Wheel Shaft Driver (left) Clutch (right) with 5564.....	\$ 10
25429	3815	Band Wheel Shaft Driving Flange with 356c.....	40
Nos. 25431 to 25434 for 25258.			
25431	3813	Driving Arm (left) with 435c and 25435.....	75
25432	3813	" " (right) with 435c and 25435.....	75
25433	3816	" " Hinge Pin.....	10
25434	3815	" Pinion.....	40
25435	3816	Foot Rest Hinge Pin for 25431 and 25432.....	10
25436	3813	Leg (left) for 25258.....	1 50
25437	3813	" (right) for 25258.....	1 60
Nos. 25446 to 25449 for 25258.			
25446	3817	Driving Segment Bolt Nut Washer.....	02
25447	3818	Band Wheel Shaft.....	40
25448	3818	Brace.....	1 20
25449	3818	Leg Stay Rod.....	40
25451	3813	Driving Segment (rack) for 25258.....	25
26026	6930	Screw Driver, large (Accessories).....	10
26485	6930	" " small (Accessories).....	05
27070	1165	Under Driver Shaft Driving Pulley (sectional, grooved) 10 in. diam., $1\frac{3}{8}$ in. bore, with two 597c, for 27890 and 27892.....	95
27446	6929	Thread Unwinder Thread Eyelet Wire (left) for 27454.....	05
27450	6929	Thread Unwinder Spool Rest with 145F and two 27702, for 41831.....	18
27451	6929	Thread Unwinder Stand for 41831.....	25
27452	6929	" " Thread Eyelet Wire (right) for 27454.....	05
27453	6929	Thread Unwinder Thread Eyelet Rod for 27454.....	15
27454	—	Thread Unwinder Thread Eyelet complete for 41831, Nos. 27446, 27452 and 27453.....	25
27473F	2186	Under Driver Cone Pulley Centre Bearing for 27595.....	08
27593	6930	Under Driver Brake (fibre) for 27594.....	05
27594	1164	" " " Bracket with 27593 and two 327E, for 27889 and 27891.....	25
27595	1164	Under Driver Cone Pulley (grooved) two speed, $4\frac{1}{2}$ in. and $5\frac{1}{2}$ in. diam., with 27473F, for 27889 and 27891.....	1 00
27596	1164	Under Driver Dress Guard (left hand) for 27891.....	20

NUMERICAL LIST OF PARTS

NO.	PLATE	NAME	EACH
27597	1164	Under Driver Driving Pulley (grooved) 6¼ in. diam., with 433c, 27598 and two 7958, for 27889 and 27891.....	\$1 10
27598	—	Under Driver Driving Pulley Friction Ring (leather) for 27597.....	10
27600	2186	Under Driver Driving Pulley Hollow Stud Position Stud for 27631.....	02
27601	1164	Under Driver Frame for 27889 and 27891	85
Nos. 27605 TO 27607 FOR 27889 AND 27891.			
27605	1164	Under Driver Lever.....	35
27606	2186	“ “ “ Centre Plug (wood).....	01
27607	6930	“ “ “ Spring.....	10
27631	2186	“ “ Driving Pulley Hollow Stud with 27600, for 27889 and 27891.....	25
27632	—	Under Driver Driving Pulley Hollow Stud Wick for 27633.....	01
27633	—	Under Driver Driving Pulley Hollow Stud Wick Wire with 27632, for 27889 and 27891.....	05
27636	1165	Under Driver Treadle for 27642.....	50
Nos. 27637 TO 27639 FOR 27640.			
27637	1164	Under Driver Treadle Pitman Rod (lower)	05
27638	2186	“ “ “ “ “ “ Spring.....	03
27639	1164	Under Driver Treadle Pitman Rod (upper)	05
27640	1164	Under Driver Treadle Pitman complete for 27643, Nos. 2762, 6055, 9079 and 27637 to 27639.....	35
27642	—	Under Driver Treadle complete for 27643, Nos. 2878, 9082, 27636 and four wood screws 1 in. No. 16.....	70
27643	—	Under Driver Treadle and Pitman com- plete for 27890 and 27892, Nos. 27640 and 27642.....	1 05
27702	6932	Thread Unwinder Spool Pin for 27450...	05
27888	6929	Under Driver Dress Guard (right hand) for 27889.....	20
27889	—	Under Driver Transmitter complete for 27890, Nos. 354c, 356c, 427E, 927c, 1508E, 2018, 27594, 27595, 27597, 27601, 27605 to 27607, 27631, 27633, 27888, three wood screws 1½ in. No. 16, four 307c and five 1513J.....	4 50

NUMERICAL LIST OF PARTS

NO.	PLATE	NAME	EACH
27890	—	Under Driver, lever pressure (right hand) two speed, complete, Nos. 27070, 27643 and 27889.....	\$5 75
27891	—	Under Driver Transmitter complete for 27892, Nos. 354c, 356c, 427E, 927c, 1508E, 2018, 27594 to 27597, 27601, 27605 to 27607, 27631, 27633, three wood screws 1½ in. No. 16, four 307c and five 1513J.....	4 50
27892	—	Under Driver, lever pressure (left hand) two speed, complete, Nos. 27070, 27643 and 27891.....	5 75
28013	6930	Belt Hole Bushing (round) brass (Cabinet Trimmings for Stand).....	04
28079	6930	End Leaf Hinge (Cabinet Trimmings for Stand).....	03
28270	2187	Band Wheel Crank for 46535.....	15
32026	5133	Balance Wheel, 2 in. pulley.....	50
32027	5133	Pulley, 2 in. diam.....	50
34103	5136	Presser Bar.....	40
34170	5135	Needle Bar Connecting Link with two 1313E.....	25
*34434	—	Connecting Rod Cap for 57098.....	—
35143	6930	Tweezers, 4 in. (Accessories).....	10
36578	6930	Oiler (copper plated) with 36579 (Ac- cessories).....	10
36579	6930	Oiler Spout, 3½ in. long, with 120117, for 36578.....	06
36661	6938	Thread Nipper Spring Screw Washer....	01
36826	6933	“ Cutter (Accessories).....	25
38540	5136	Presser Bar Lifter.....	20
*38588	—	Feed Connecting Rod Cap for 42507.....	—
38617	6938	Presser Bar Spring, obsolete.....	06
41541	6930	Thread Unwinder Spool Weight Thread Guide with 41542, for 41831.....	25
41542	6932	Thread Unwinder Spool Weight Thread Guide Centre Pin for 41541.....	05
41546	6932	Thread Unwinder Spool Weight Centre Pin for 41517.....	05
41547	—	Thread Unwinder Spool Weight complete for 41831, Nos. 10243 and 41546.....	07
41831	6929	Thread Unwinder complete, for two small spools, Nos. 27450, 27451, 27454, two each 41541, 41547 and three wood screws 1 in. No. 10.....	1 30
42088	6932	Machine Cushion (felt) for 57008.....	02

NUMERICAL LIST OF PARTS

NO.	PLATE	NAME	EACH
42507	5135	Feed Connecting Rod with 38588 and two 1057E.....	\$1 00
42568	6933	Cloth Plate Slide Spring for 57049.....	05
42578	6933	" " " for 57049.....	25
42599	5133	Arm Rock Shaft.....	50
42600	5134	" " " Crank (back) with two 1259c.....	75
42601	5134	Arm Rock Shaft Crank (front) with two 1259c.....	75
42602	5134	Arm Rock Shaft Flanged Bushing (back) for 57105.....	50
42602	5134	Arm Rock Shaft Flanged Bushing (front) for 57105.....	50
42613	5134	Feed Bar.....	1 25
42614	5134	" " Hinge Stud.....	15
42615	5134	" " Slide Block.....	50
42618	5134	" Rock Shaft.....	15
42619	6933	" " " Bracket with 448c, for 57105.....	1 50
42620	5135	Feed Rock Shaft Crank with 157d and 1147c.....	50
42637	6934	Looper Carrier Lever Hinge Stud.....	30
42645	6938	Throat Plate Steady Pin for 57048.....	01
42670	5135	Feed Regulator with 157d and 233d.....	1 25
42684	5135	" Eccentric with two 1259c.....	1 00
42691	5135	Looper Carrier Holder Bushing.....	35
42692	5135	" " " Crank with 197d.....	80
42694	5136	" Driving Shaft.....	50
Nos. 46506 TO 46509 FOR 46535.			
46506	3826	Pitman Ball Bearing Adjusting Screw Ring.....	15
46507	3826	Pitman Ball Bearing Adjusting Screw Ring Locking Washer (brass)..... per 100	25
46508	3826	Pitman Ball Bearing Ring.....	10
46509	3826	" " Case.....	25
46517	2187	" Rod with 25360, for 46535.....	15
46518	2187	Treadle for 25269.....	65
46535	—	Band Wheel Crank and Pitman Ball Bearing complete for 25269, Nos. 1520e, 25371, 28270, 46506 to 46509, 46517, 46630, 46655 and six 25362.....	1 45
46536	2187	Band Wheel, 13 in. diam., with 972c, for 25269.....	1 50
46544	—	Belt, size $\frac{5}{32}$ in., length 58 $\frac{1}{2}$ in., with 25028.....	20

NUMERICAL LIST OF PARTS

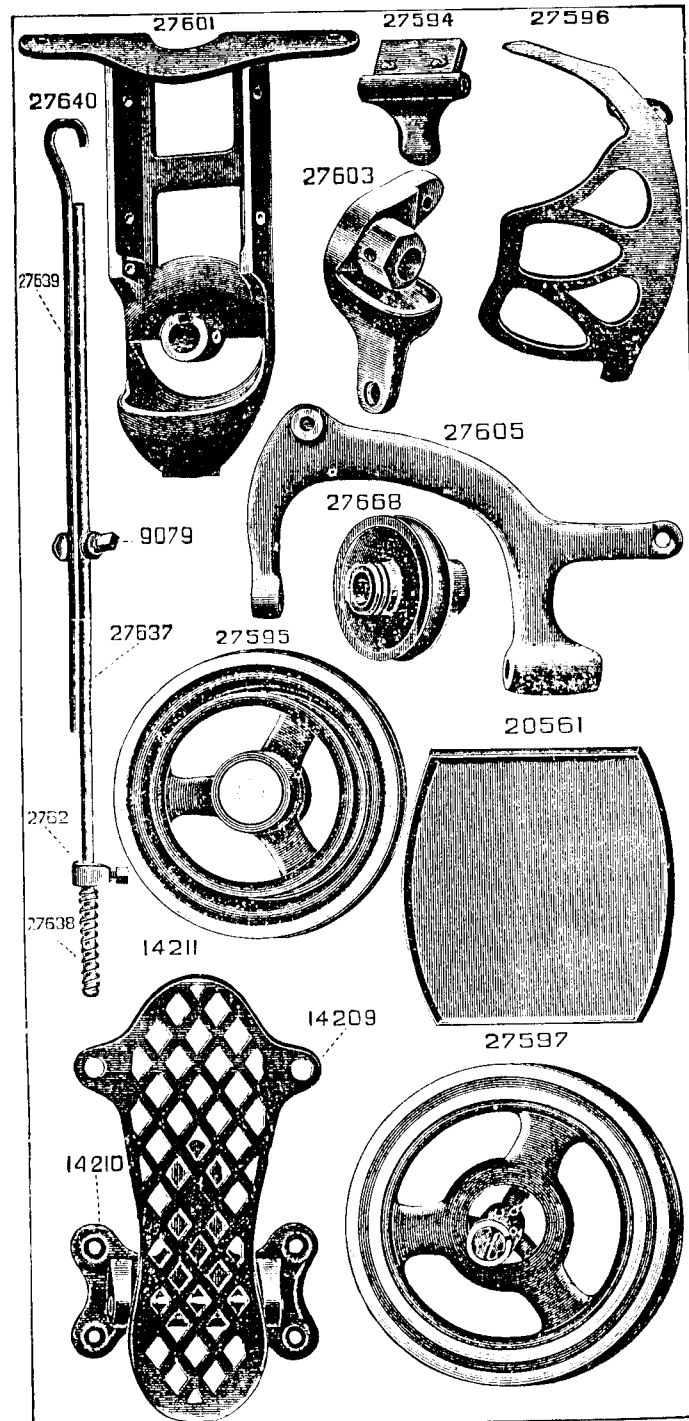
NO.	PLATE	NAME	EACH
46545	—	Belt, size $\frac{5}{32}$ in., length 54 $\frac{1}{2}$ in., with 25028.....	\$ 20
46630	—	Pitman Rod Ball Screw Bearing 25361 with 1670e, for 46535.....	15
46655	3826	Pitman Ball Separator for 46535.....	05
50026c	5135	Needle Bar Connecting Link Hinge Stud.....	12
50027F	6939	Throat Plate Screw, obsolete.....	04
50138F	6934	Looper Screw.....	02
50261c	6937	Tension Screw Stud.....	15
50314r	6931	Machine Thumb Screw (Cabinet Trim-mings for Stand).....	20
50318d	6939	Face Plate Screw.....	02
50357c	6937	Thread Nipper Disc Screw.....	03
54648	5136	Looper Driving Shaft Oil Pad (braided cotton).....	01
54694	6934	Looper Carrier Slide Block (two pieces) with 54695 and two 54705.....	2 00
*54695	—	Looper Carrier Slide Block Ball Stud for 54694.....	40
54705	6934	Looper Carrier Slide Block Pin for 54694, per 100	25
57008	6929	Machine Base with three wood screws 1 $\frac{1}{4}$ in. No. 12 and four each 935d and 42088.....	2 00
57016	5133	Arm Rotary Shaft.....	3 00
57048	5148	Cloth Plate with 42645, for 57049.....	2 00
57049	—	Cloth Plate complete, Nos. 578d, 42568, 42578 and 57048.....	2 30
57051	6936	Feed Dog.....	75
57052	6934	Looper.....	1 00
57053	6934	" Carrier with 906c.....	2 00
57054	6934	" " Hinge Pin.....	05
57055	6934	" " Holder.....	75
57056	6935	" " " Crank Connecting Link.....	50
57057	6933	Looper Carrier Lever with 208e and 1933.....	1 50
57058	6934	" " " Cam with two 1036c.....	1 25
57059	6933	" Driving Shaft Bracket with 202e.....	2 50
57060	—	" " " Cam with two 1036c, obsolete, use 57160.....	1 25
57061	6935	Looper Driving Shaft Crank (left) with 1057E.....	1 25
57062	6935	Looper Driving Shaft Crank (right) with 1057E and 1935.....	1 00
57063	6935	Needle Bar with two 57066.....	75
57064	6935	" Clamp with 1155E.....	75
57065	6935	" " Spring.....	02

NUMERICAL LIST OF PARTS

NO.	PLATE	NAME	EACH
57066	6935	Needle Stop Pin for 57063.....per 100	\$ 10
57067	6935	Presser Bar Lifting Bracket with 453c....	50
57068	6935	" " " " Guide.....	30
Nos. 57069 TO 57071 FOR 57072.			
57069	6937	Presser Foot Hinge Pin.....per 100	10
57070	—	" " Plate.....	65
57071	—	" " Shank.....	60
57072	6936	Presser Foot (hinged) complete, Nos. 57069 to 57071.....	1 25
57076	5136	Tension Thread Guide (double).....	30
57079	6936	Throat Plate for 50027, for 57051, for two threads, obsolete.....	1 00
57081	6938	Lifting Lever Connection for 57122.....	35
57098	5134	Connecting Rod with 34434 and two 171e	1 00
*57105	—	Arm, upper and lower (solid) with 130b, 42619 and two each 462c, 1259c, 9830 and 42602.....	12 00
57106	6934	Face Plate.....	75
57107	6937	Slack Thread Regulating Spring.....	05
57108	6937	" " " " Plate.....	15
57109	6937	" " " " Thread Eyelet.....	05
57110	6937	Tension Releaser.....	50
57111	6937	" " Shaft.....	10
57112	6937	" " " Crank with 202b.....	1 00
57113	6937	Thread Nipper Bracket with 207e and two 57116.....	1 00
57114	6937	Thread Nipper Disc.....	03
57115	6937	" " " Screw Bushing.....	10
57116	6937	" " " Steady Pin for 57113.....	01
57116	6937	" " Guide Pin for 57113.....	01
57117	6937	" " Separating Disc.....	10
57118	6938	" " Spring.....	10
57119	6938	" " " Bracket and Thread Guide.....	80
57120	6936	Throat Plate for 50027, for 57051, for one thread, obsolete.....	1 00
57121	6933	Lifting Lever with 2809, for 57122.....	50
57122	—	Knee Lifter complete, Nos. 21b, 1200b, 14224, 16129, 19081, 57081 and 57121.....	2 45
57136	6936	Throat Plate for 1230e, for 57051, for one thread.....	1 00
57137	6936	Throat Plate for 1230e, for 57051, for two threads.....	1 00
57160	6935	Looper Driving Shaft Cam with two 1036c	1 25
120117	6930	Oiler Spout Washer (leather) for 36579....	03

**ILLUSTRATIONS OF PARTS
FOR
MACHINE No. 82-22**

PLATE 1164—ONE-FOURTH SIZE



ILLUSTRATIONS OF PARTS
FOR
MACHINE NO. 833

PLATE 1165—ONE-FOURTH SIZE

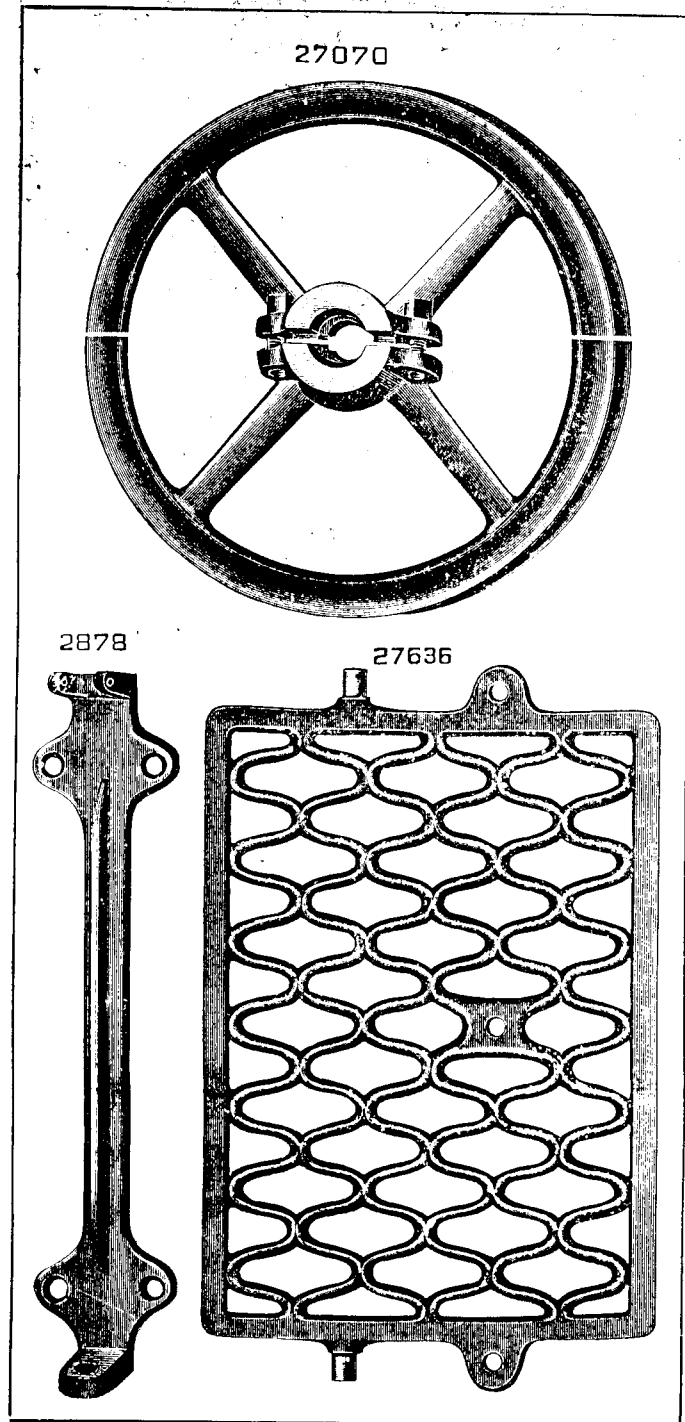


PLATE 2186—FULL SIZE

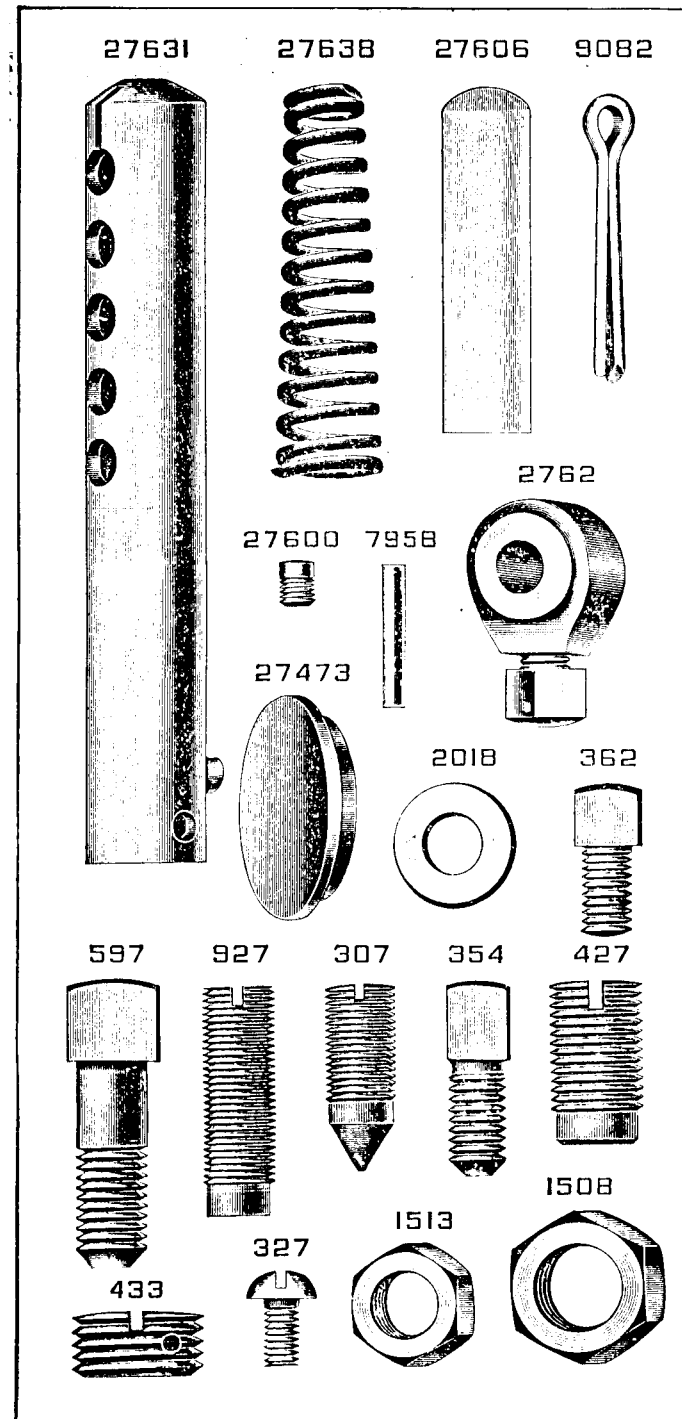


PLATE 2187—ONE-NINTH SIZE

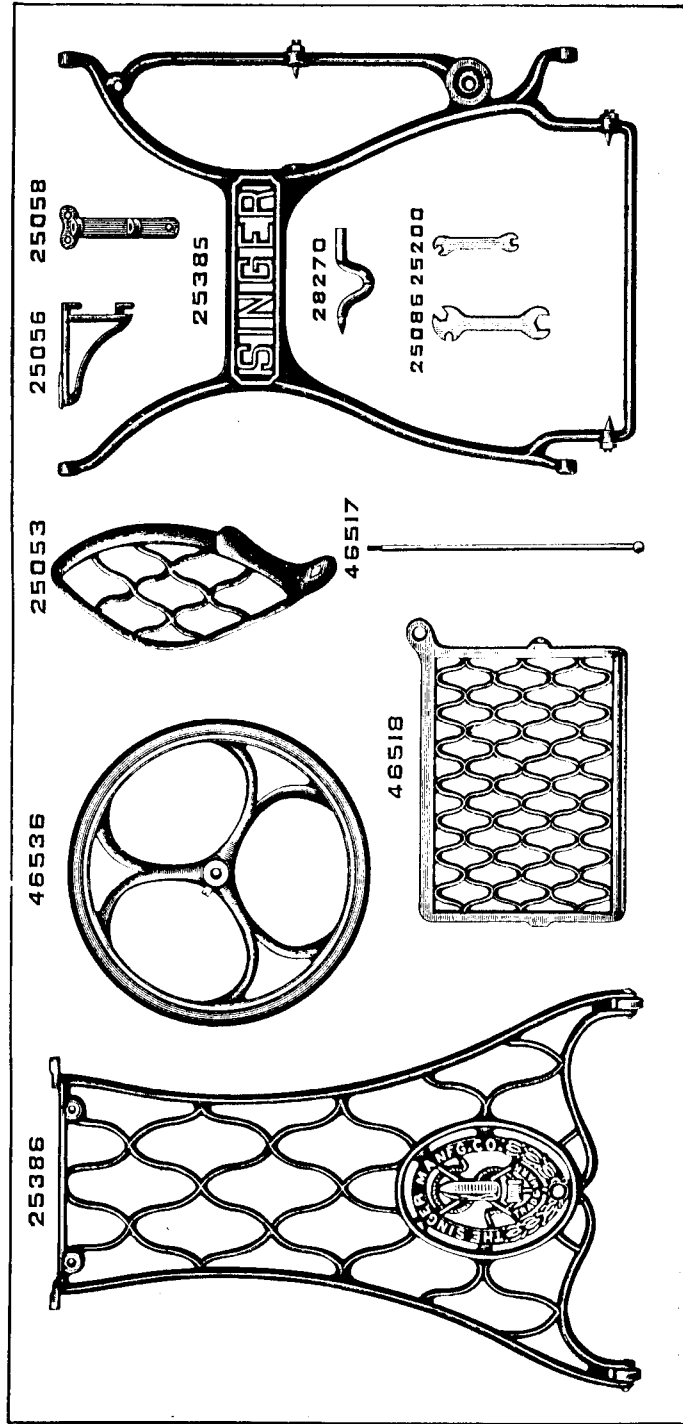


PLATE 3813—ONE-NINTH SIZE

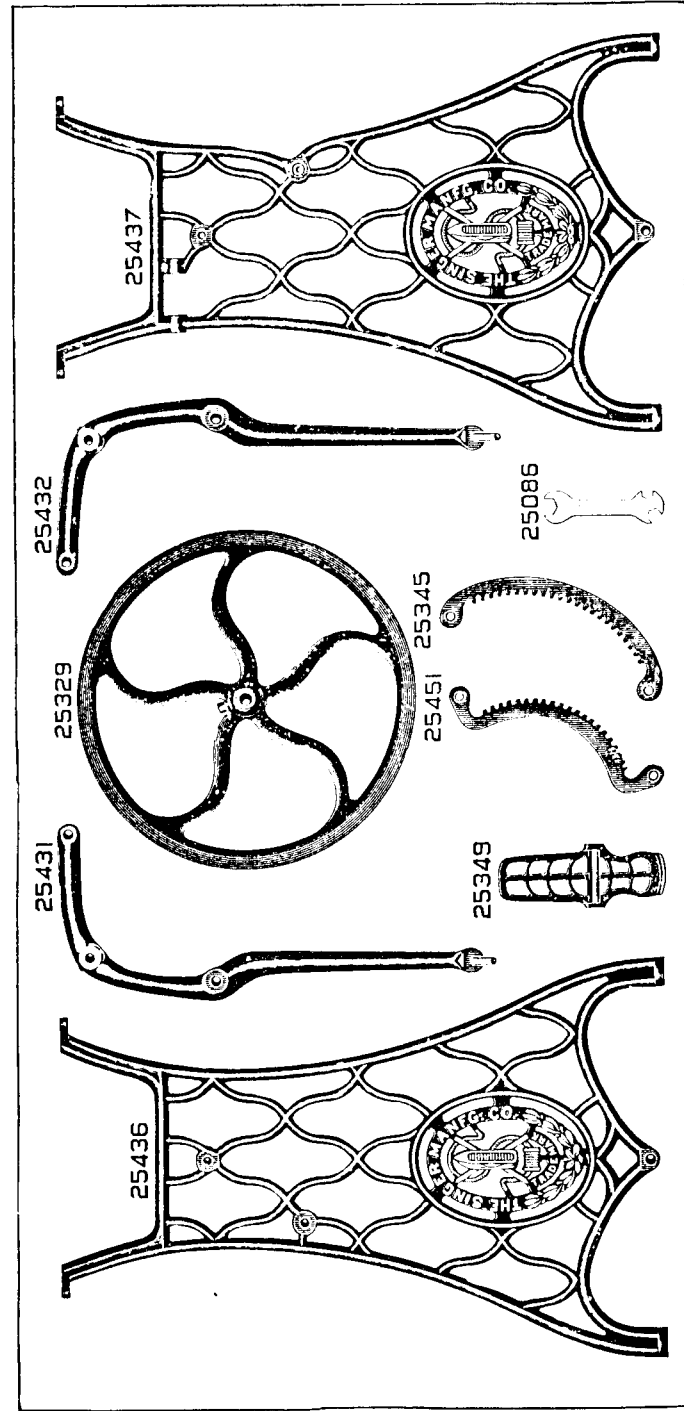


PLATE 3815—ONE-HALF SIZE

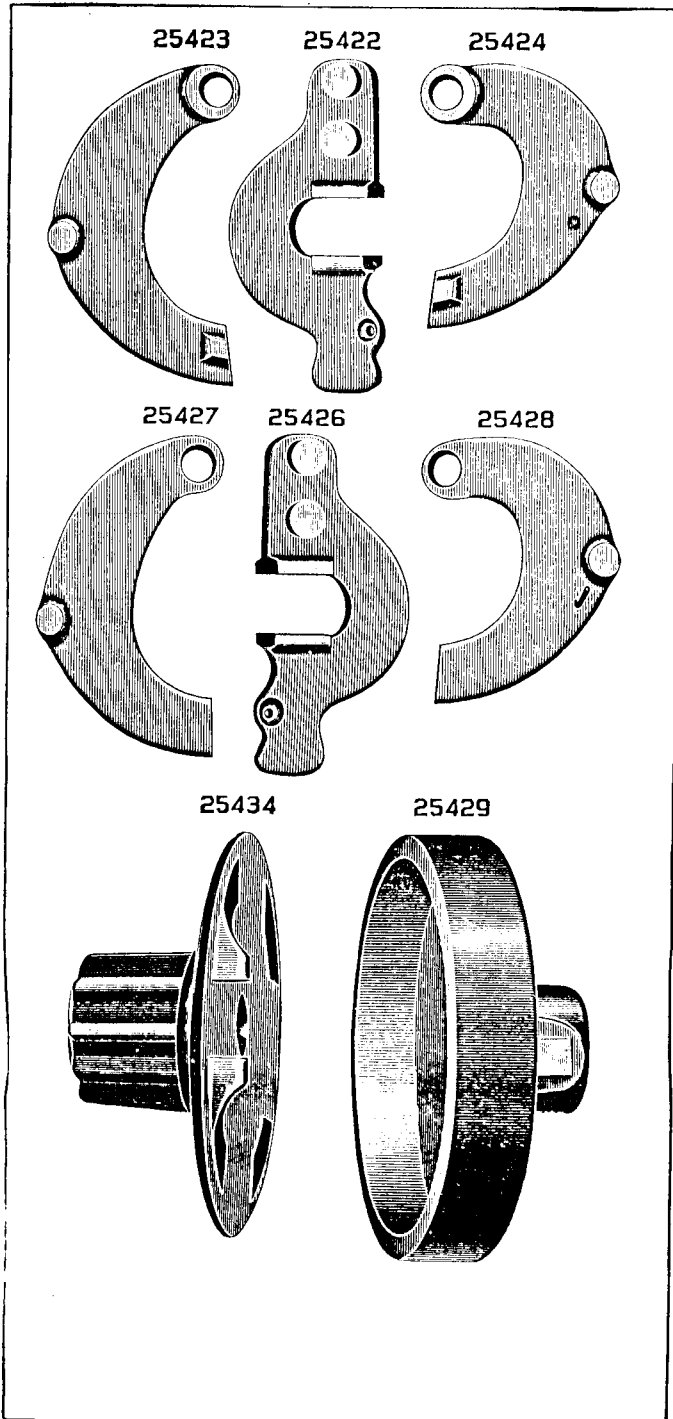


PLATE 3816—ONE-HALF SIZE

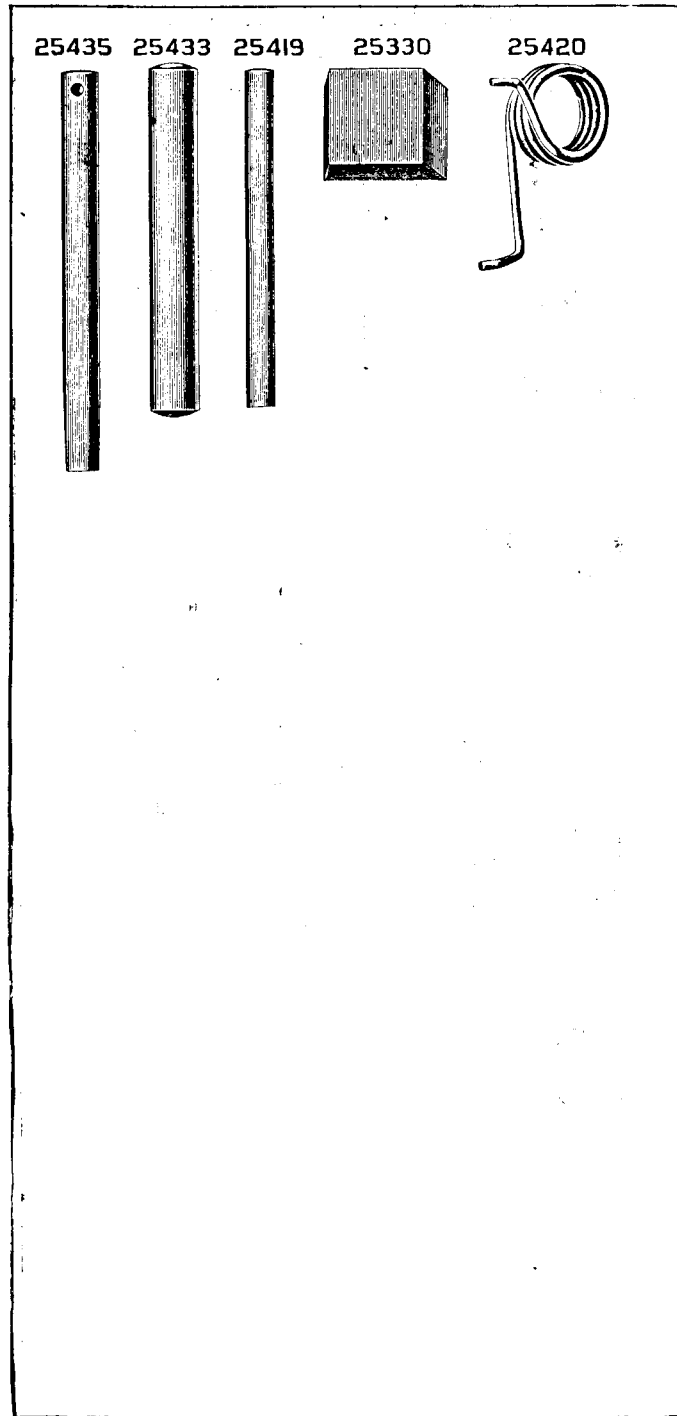


PLATE 3817—FULL SIZE

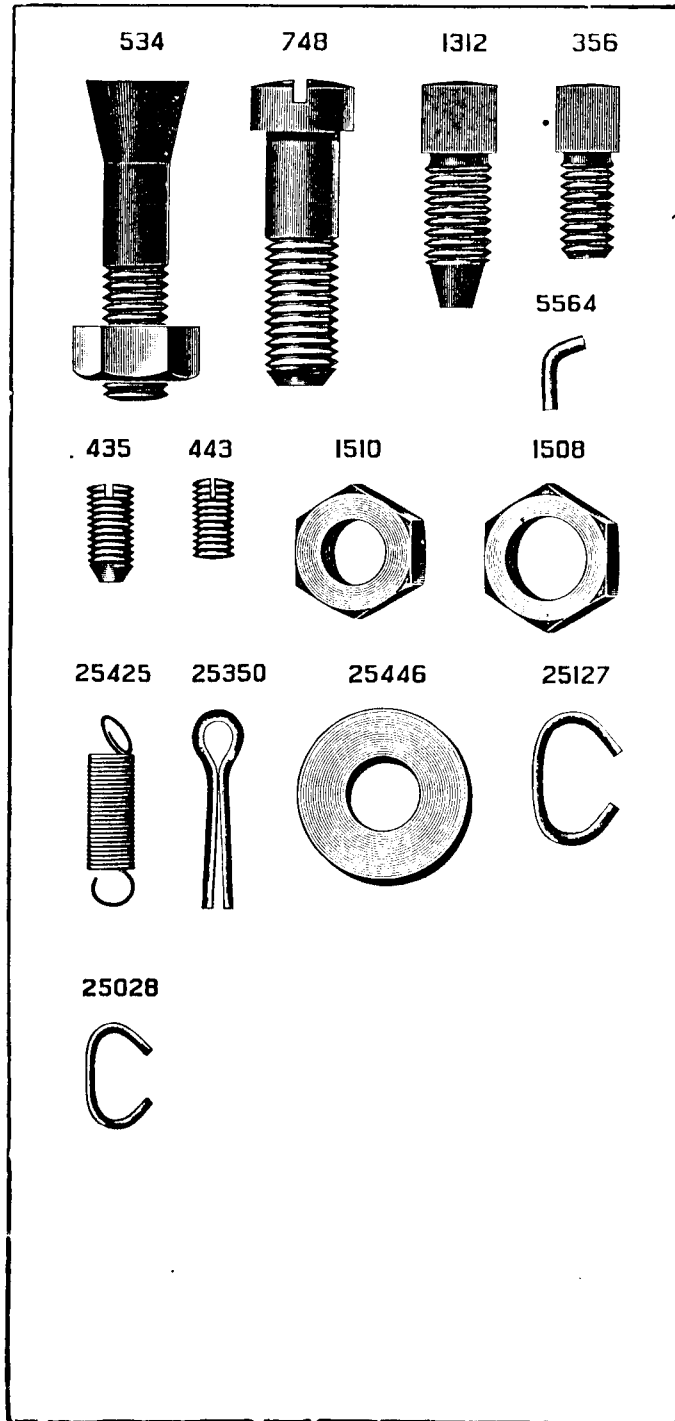


PLATE 3818—ONE-NINTH SIZE

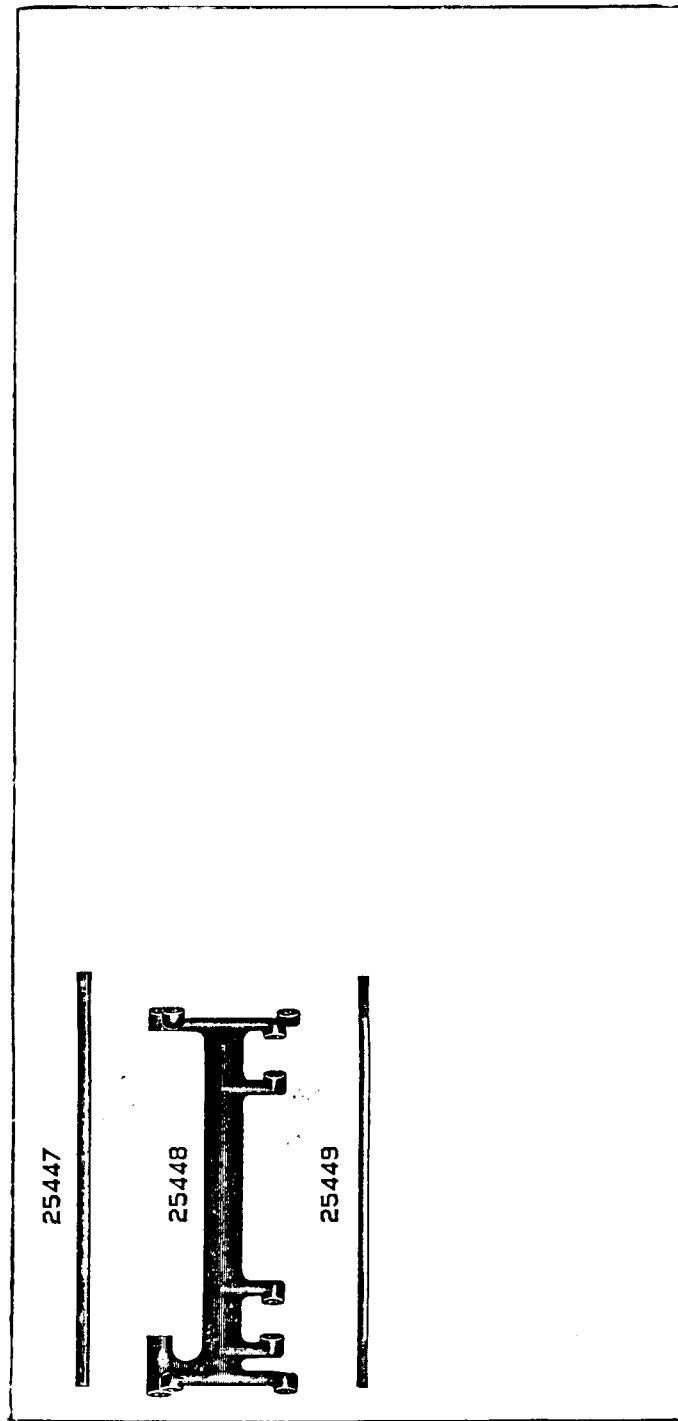


PLATE 3826—FULL SIZE

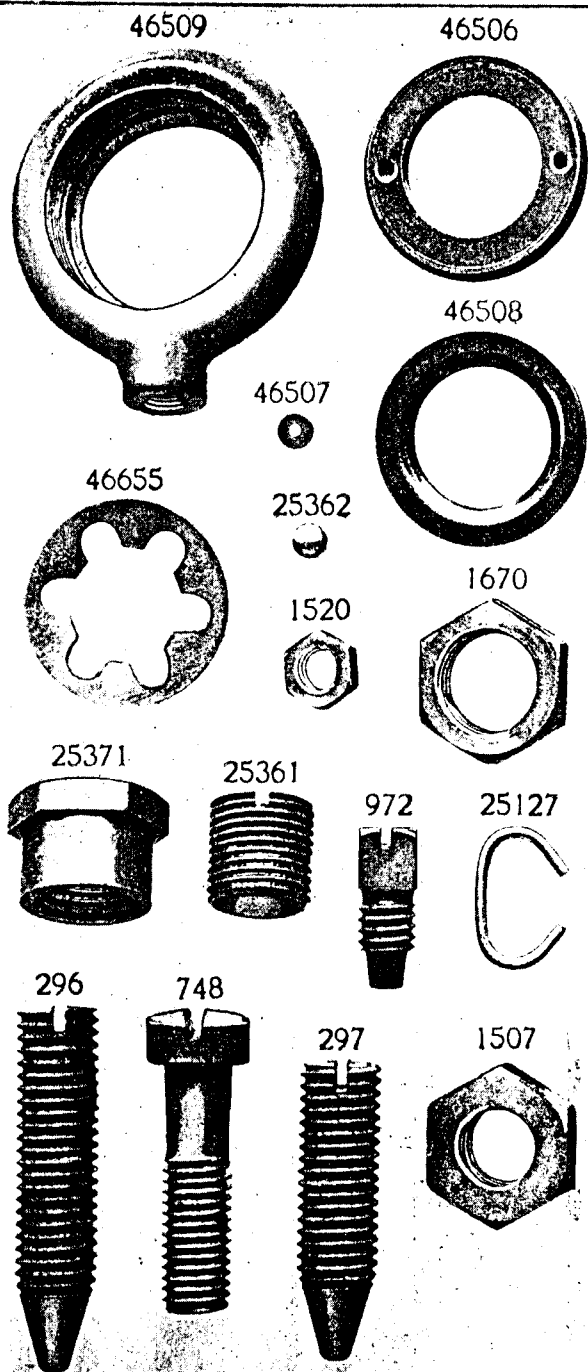


PLATE 5133—ONE-HALF SIZE

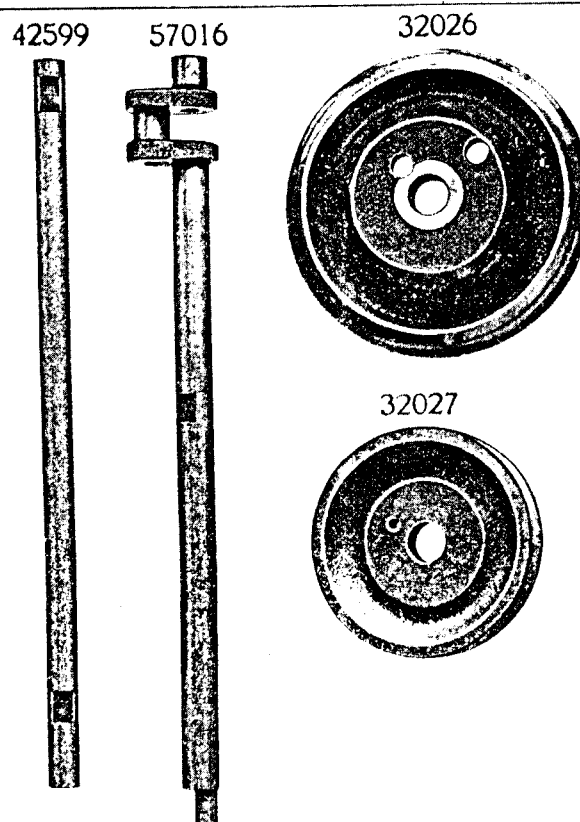


PLATE 5134—FULL SIZE

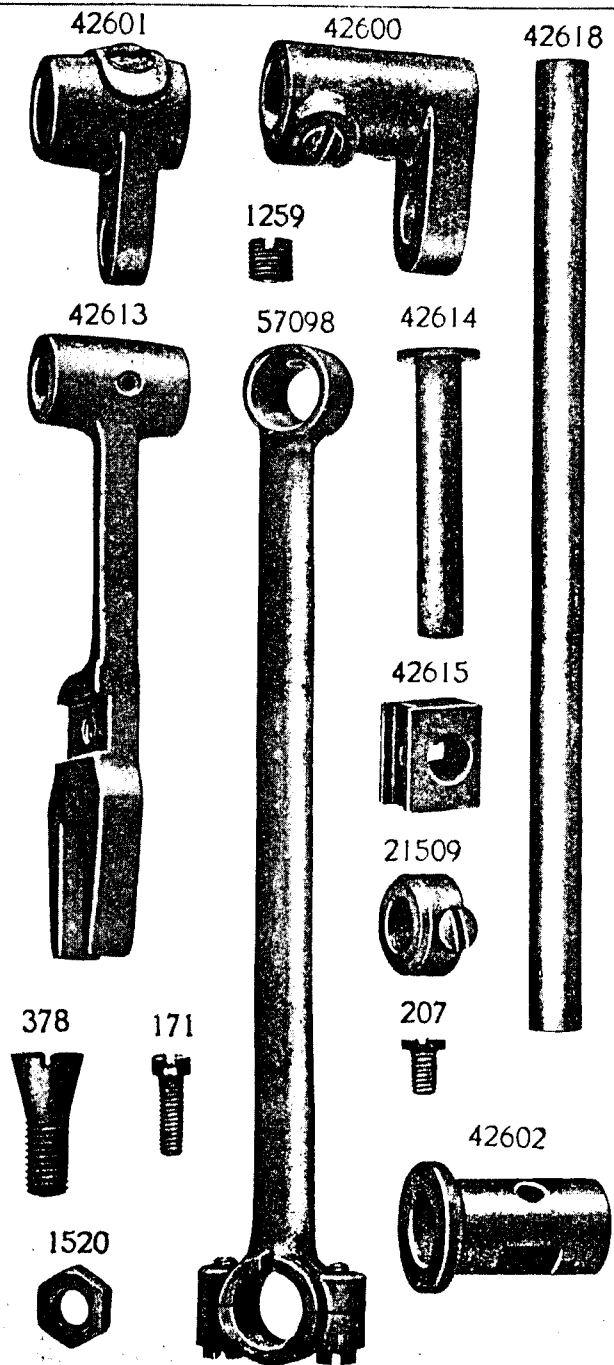


PLATE 5135—FULL SIZE

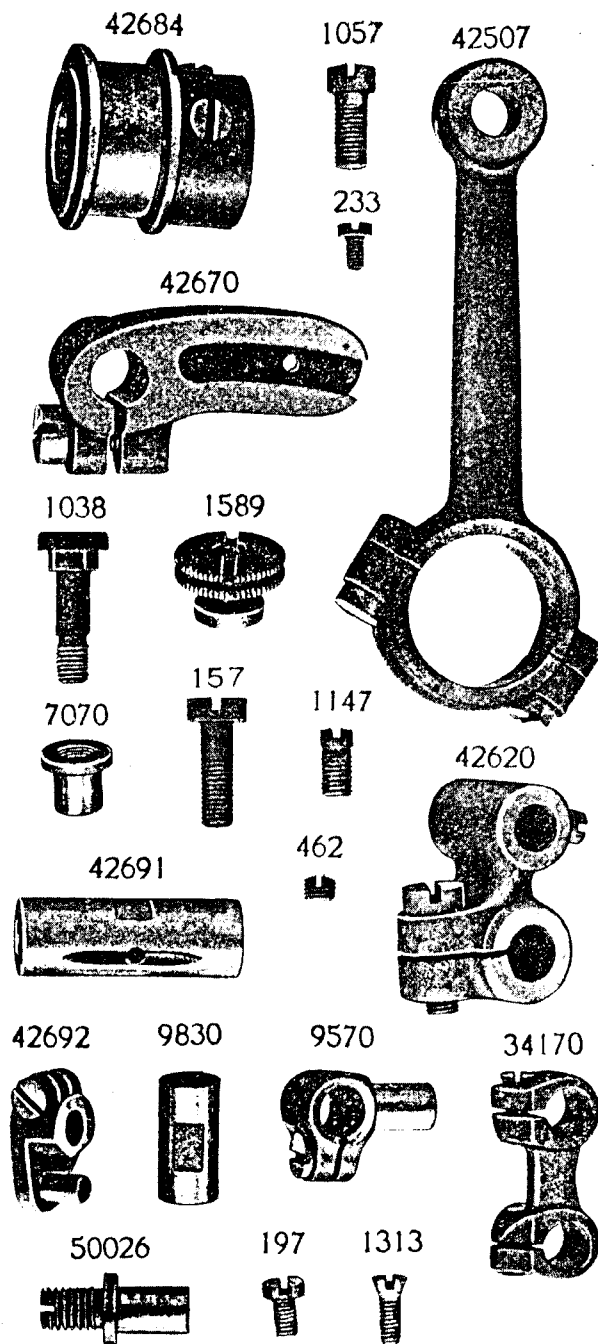


PLATE 5136—FULL SIZE

42694



22405



34103



1121



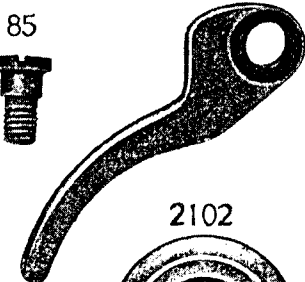
19009



454



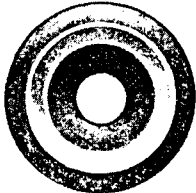
38540



85



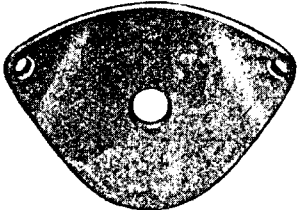
2102



1560



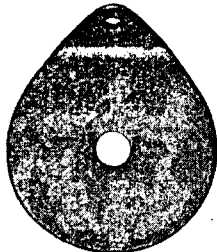
57076



54648



17547



57048

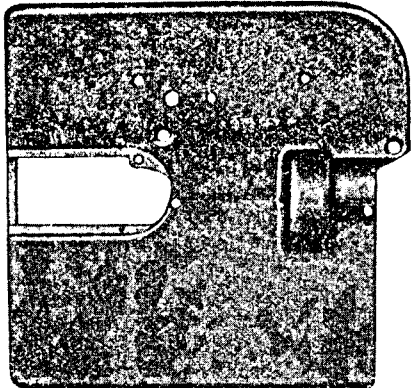


PLATE 6929—ONE-FOURTH SIZE

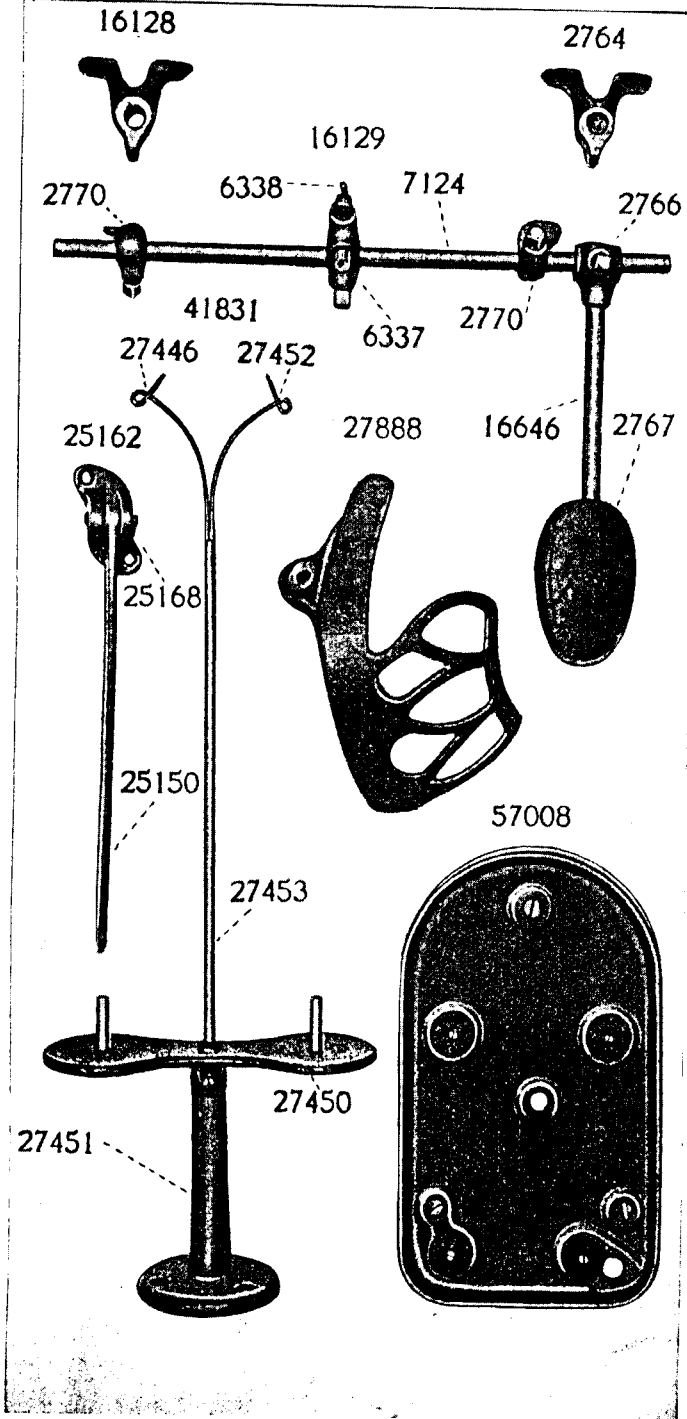


PLATE 6930—ONE-HALF SIZE

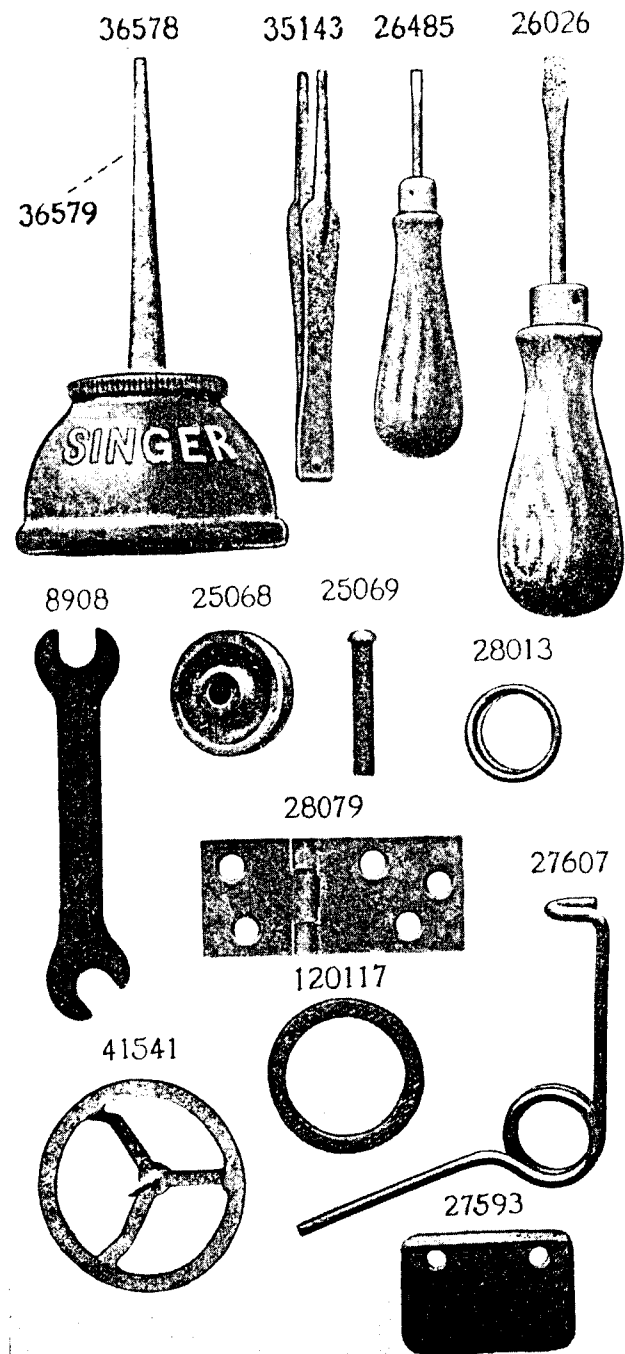


PLATE 6931—FULL SIZE

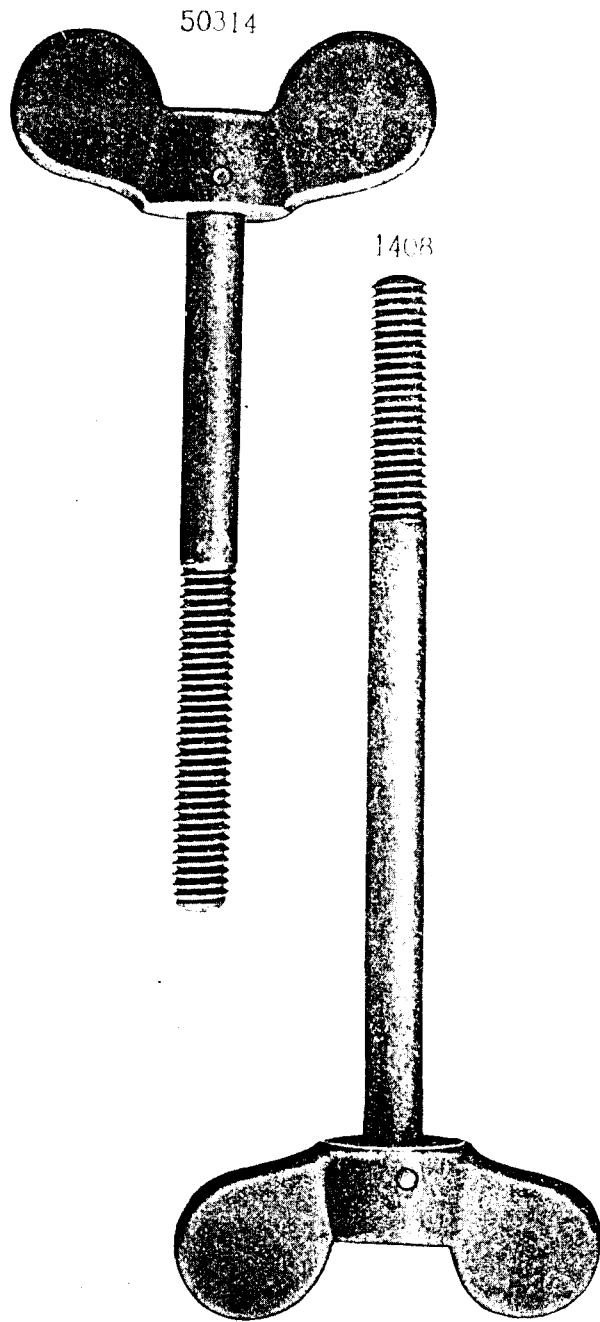


PLATE 6932—FULL SIZE

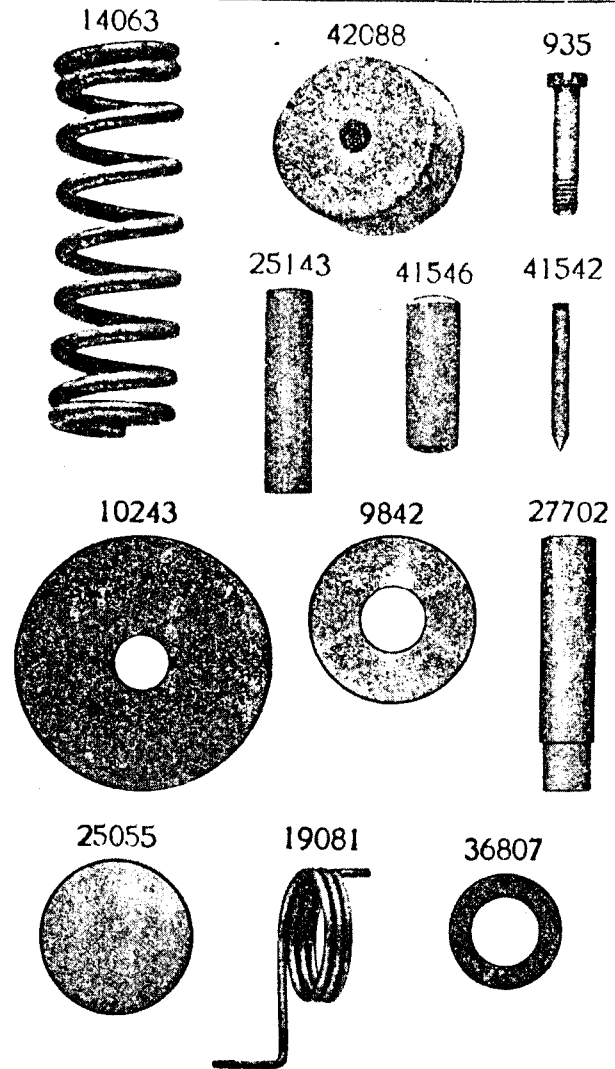


PLATE 6933—ONE-HALF SIZE

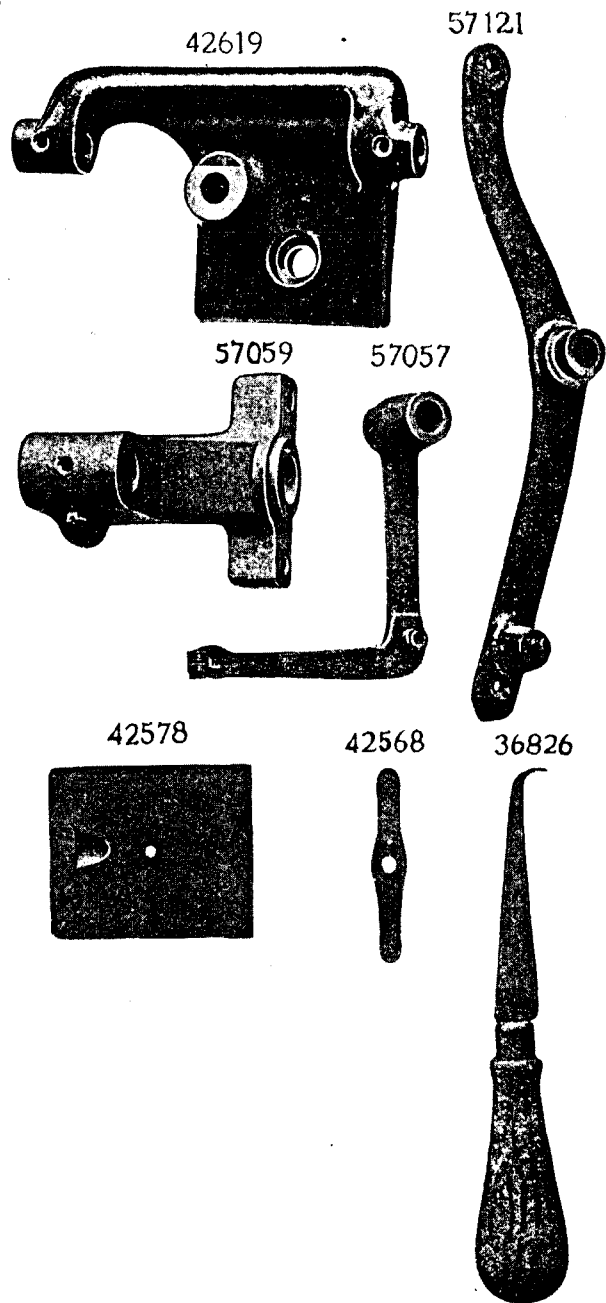


PLATE 6934—FULL SIZE

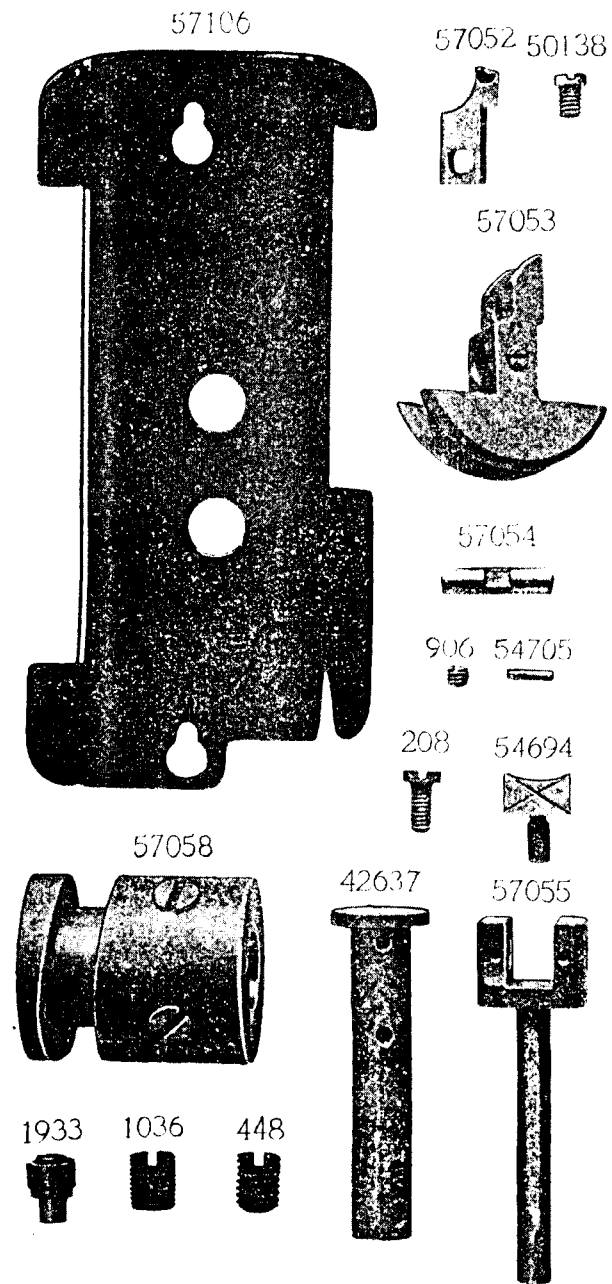


PLATE 6935—FULL SIZE

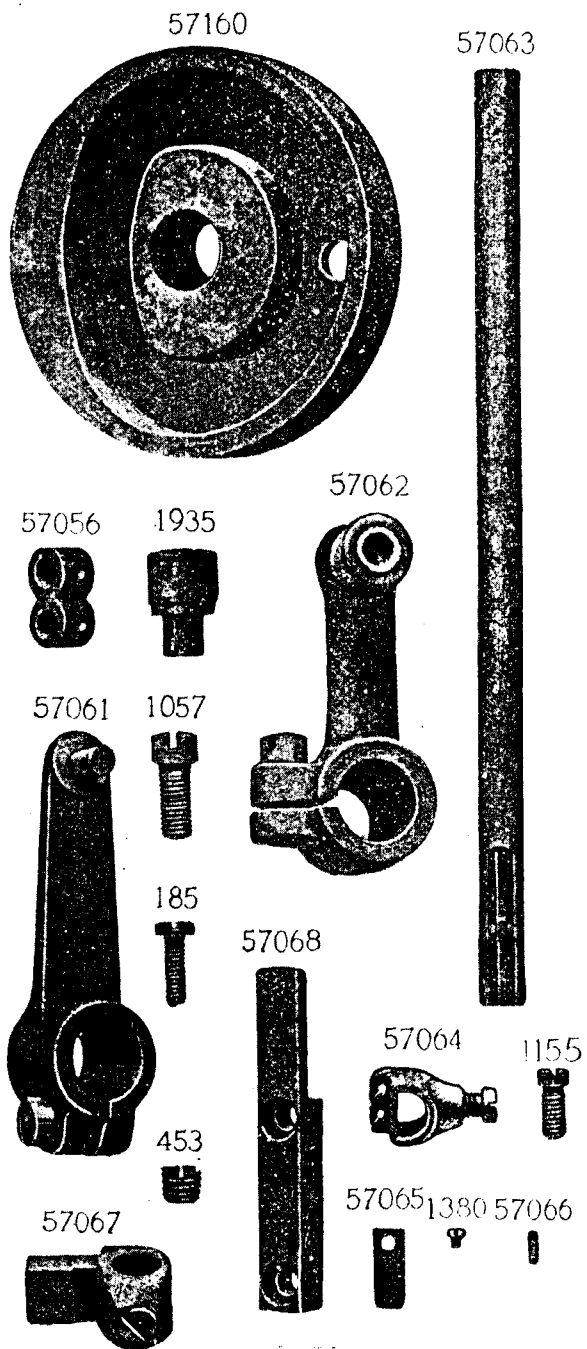


PLATE 6936—FULL SIZE

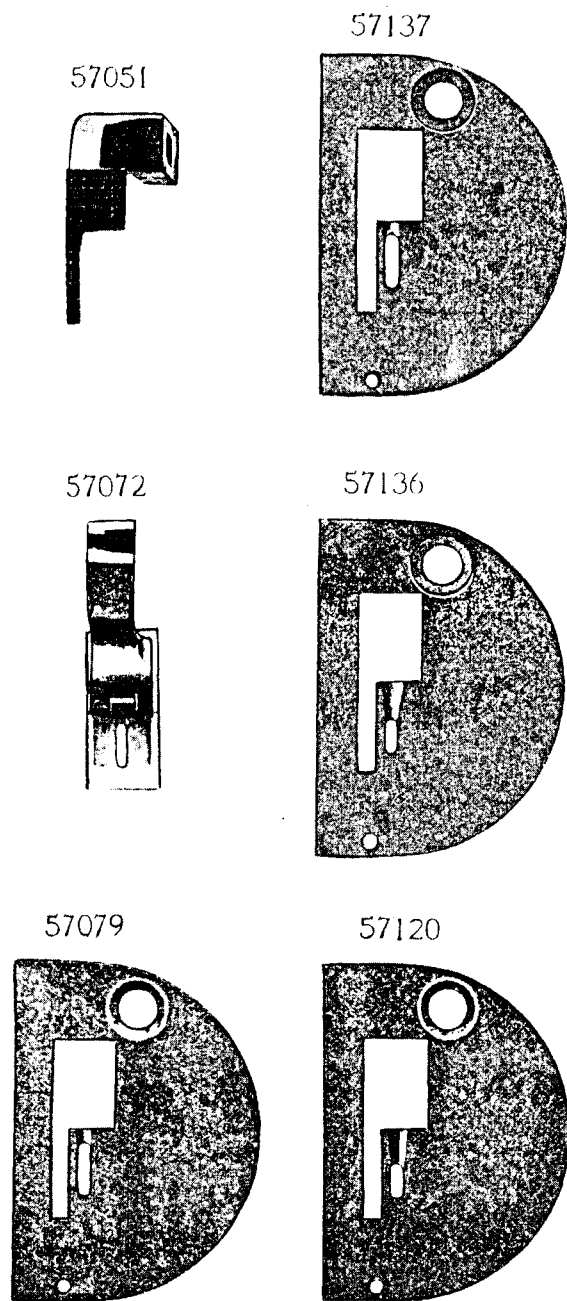


PLATE 6937—FULL SIZE

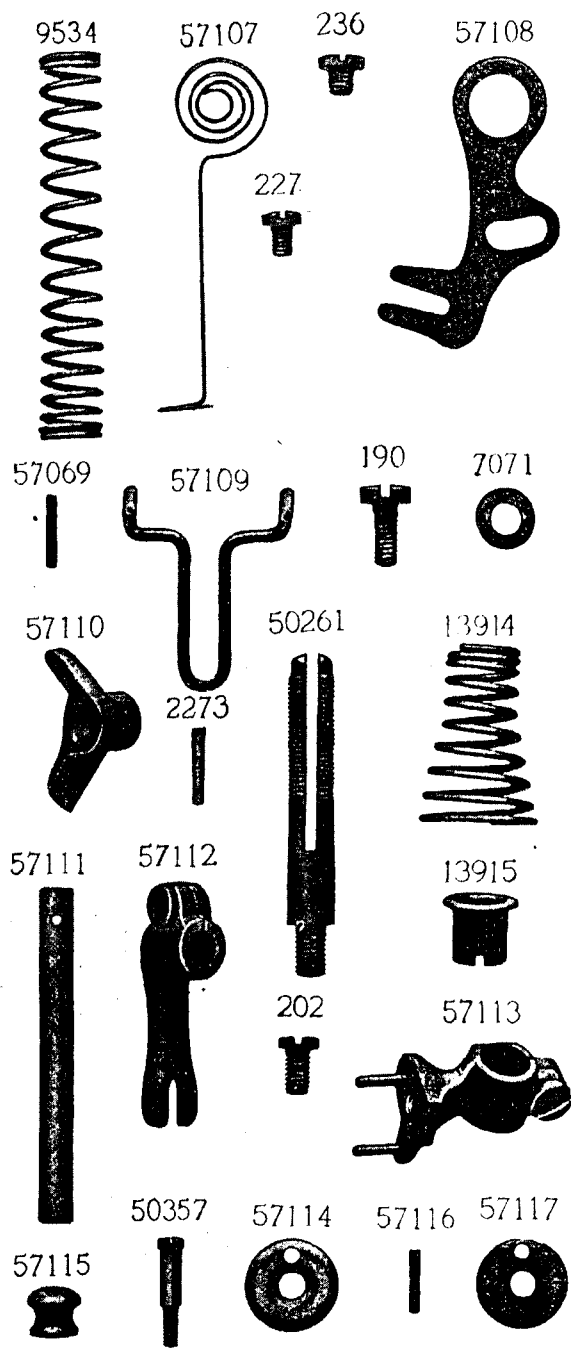


PLATE 6938—FULL SIZE

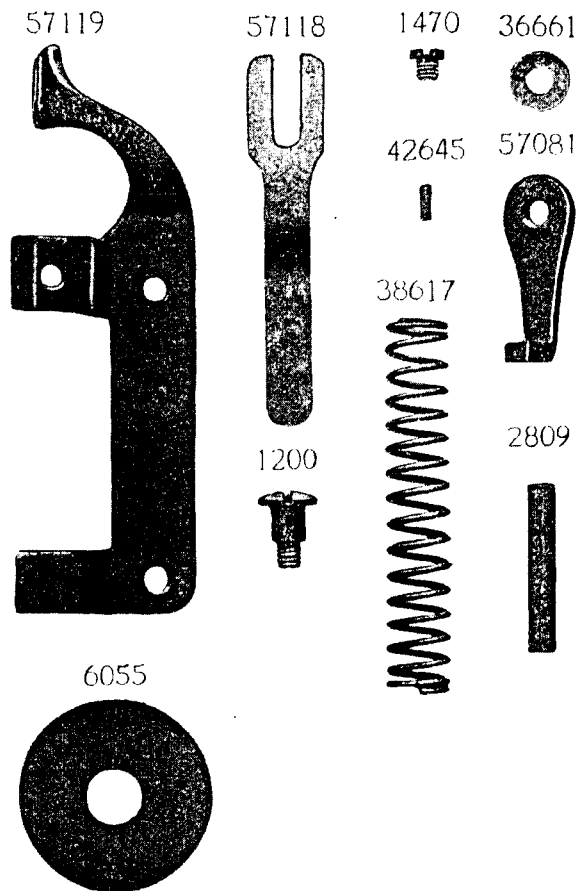


PLATE 6939—FULL SIZE

1167



21



141



130



145



387



199



50318



1230



50027



578



504

