

Singer 96-107

Form 19337
(539)

PRINTED IN U. S. A.

PARTS DEPT.

**PARTS DEPT
SINGER**

96-107

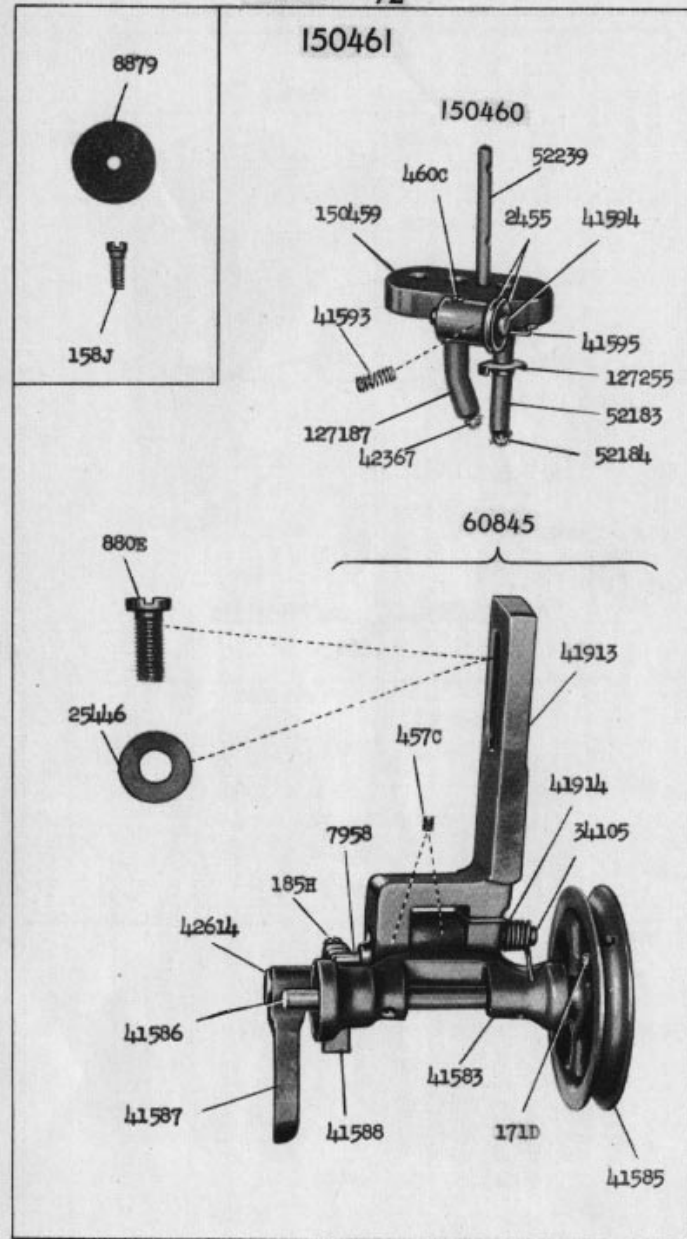


THE SINGER MANUFACTURING COMPANY



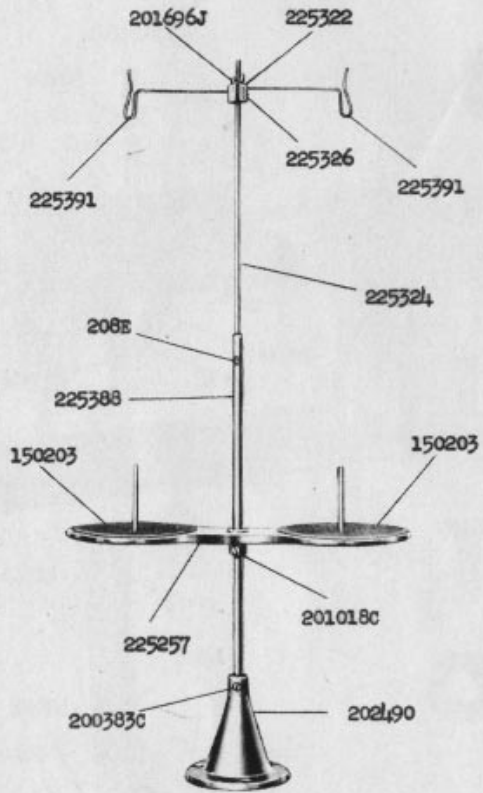
Copyright, U. S. A., 1937 and 1939
 by The Singer Manufacturing Co.
 All Rights Reserved for all Countries

22247 - 1/2



22248 - 1/6

225258



27739

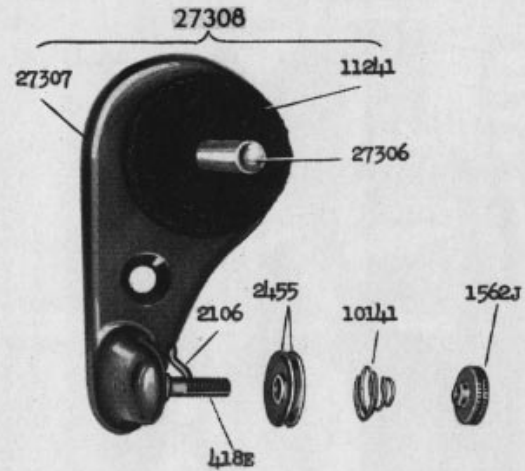


225390

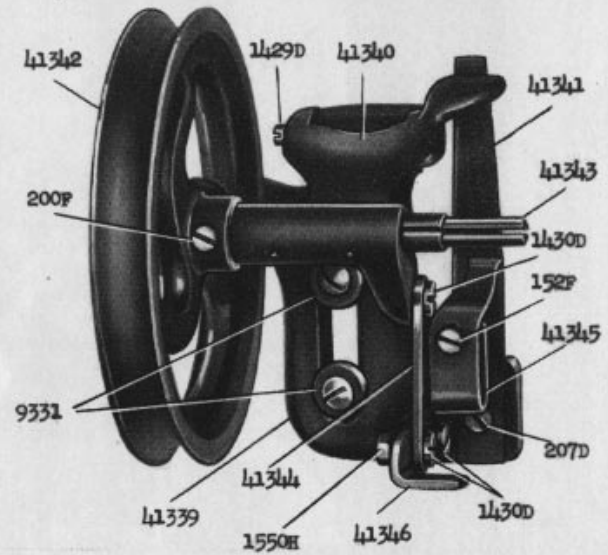


22907 - 2/3

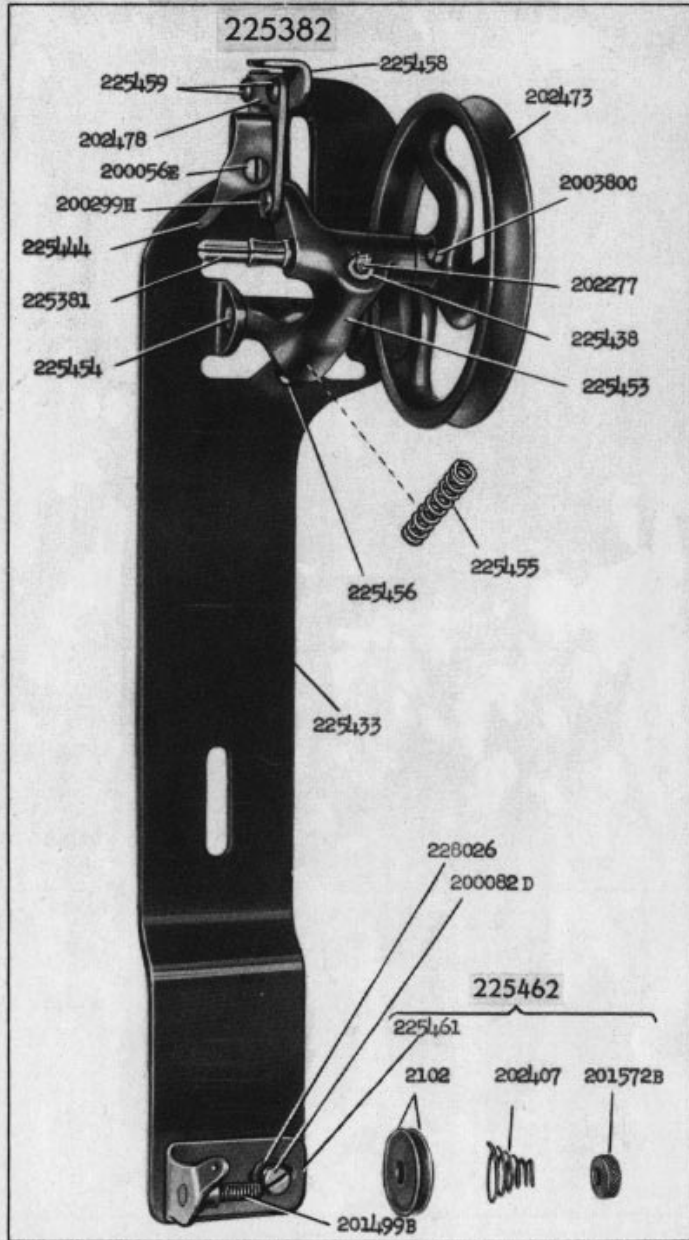
41348



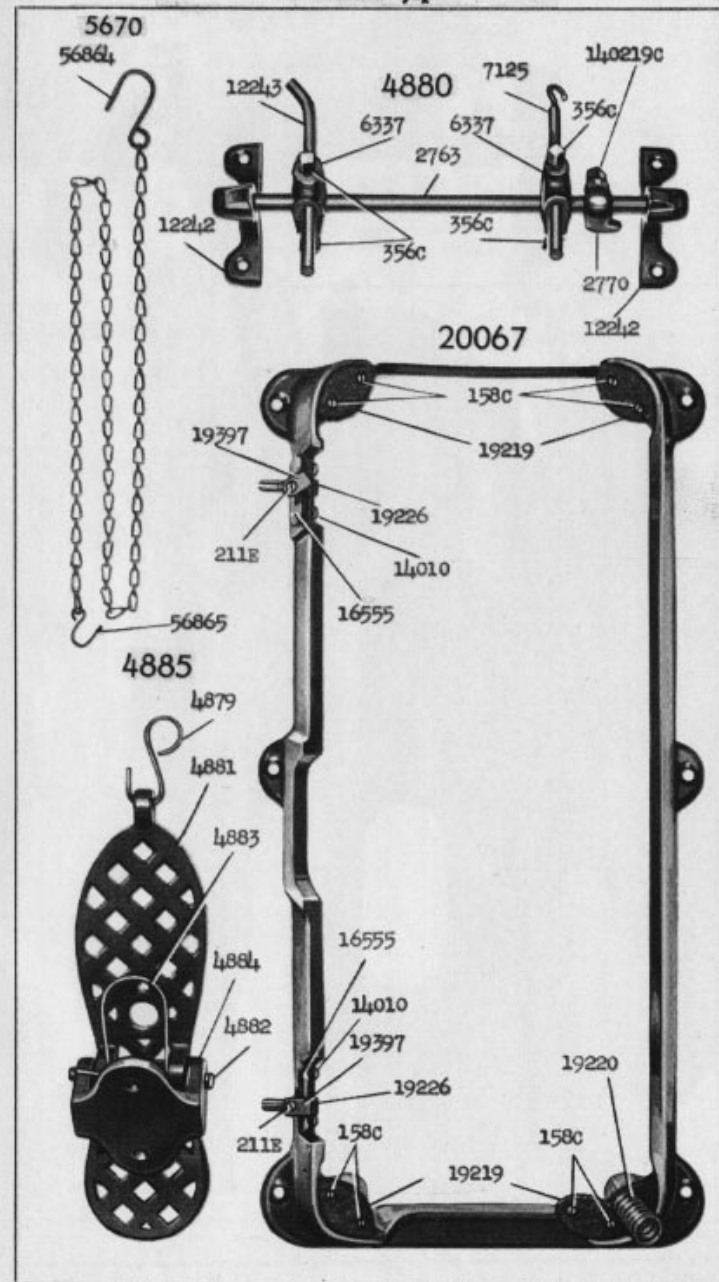
41347



22908 - 2/3

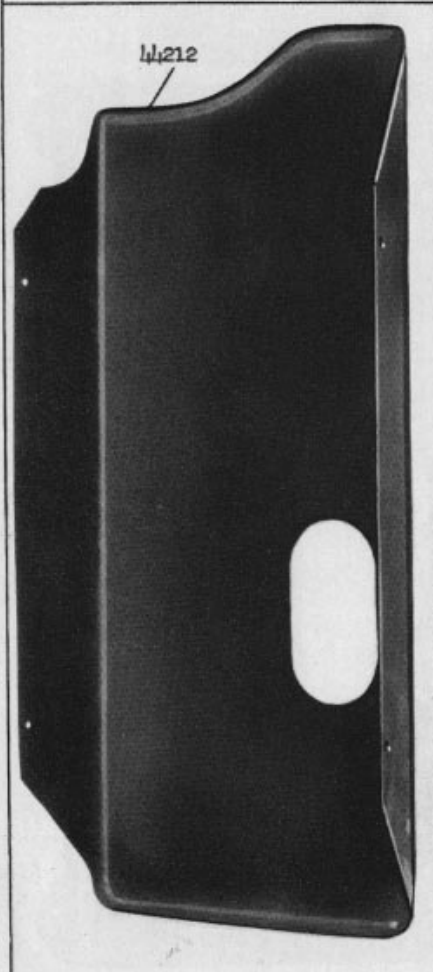
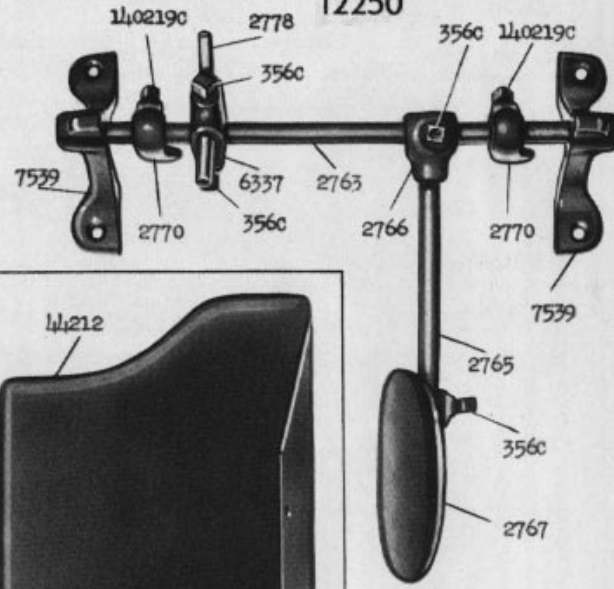


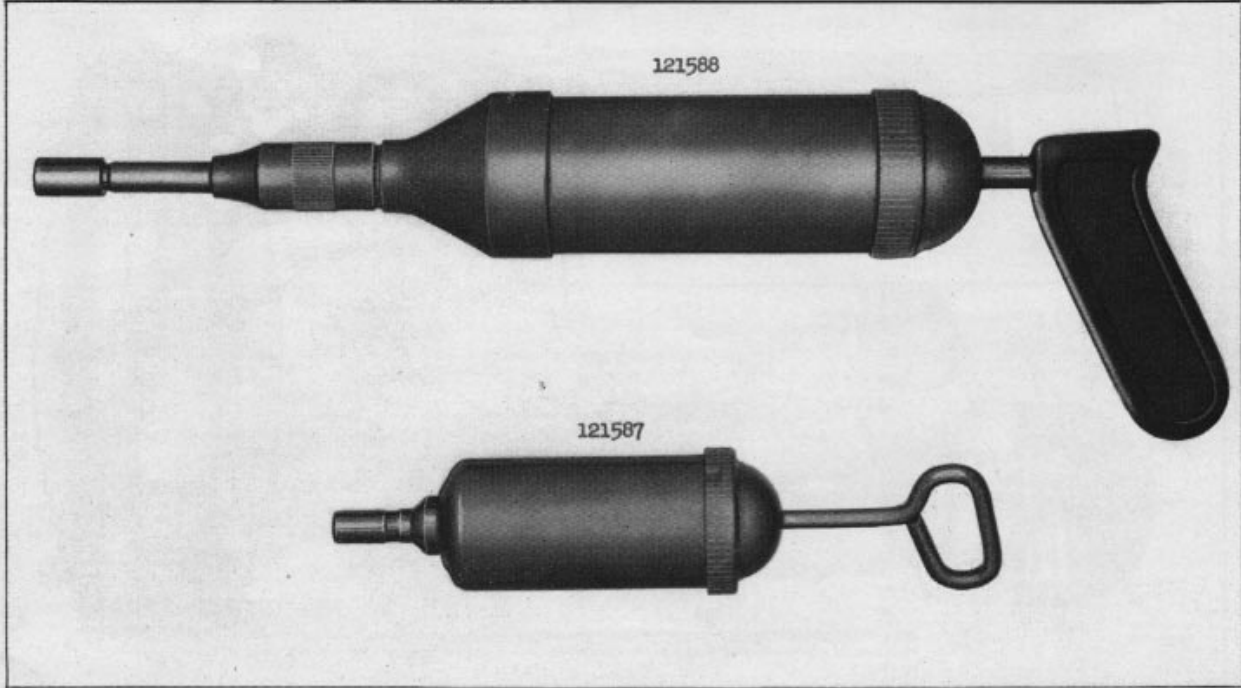
22909 - 1/4



22910 - 1/4

12250

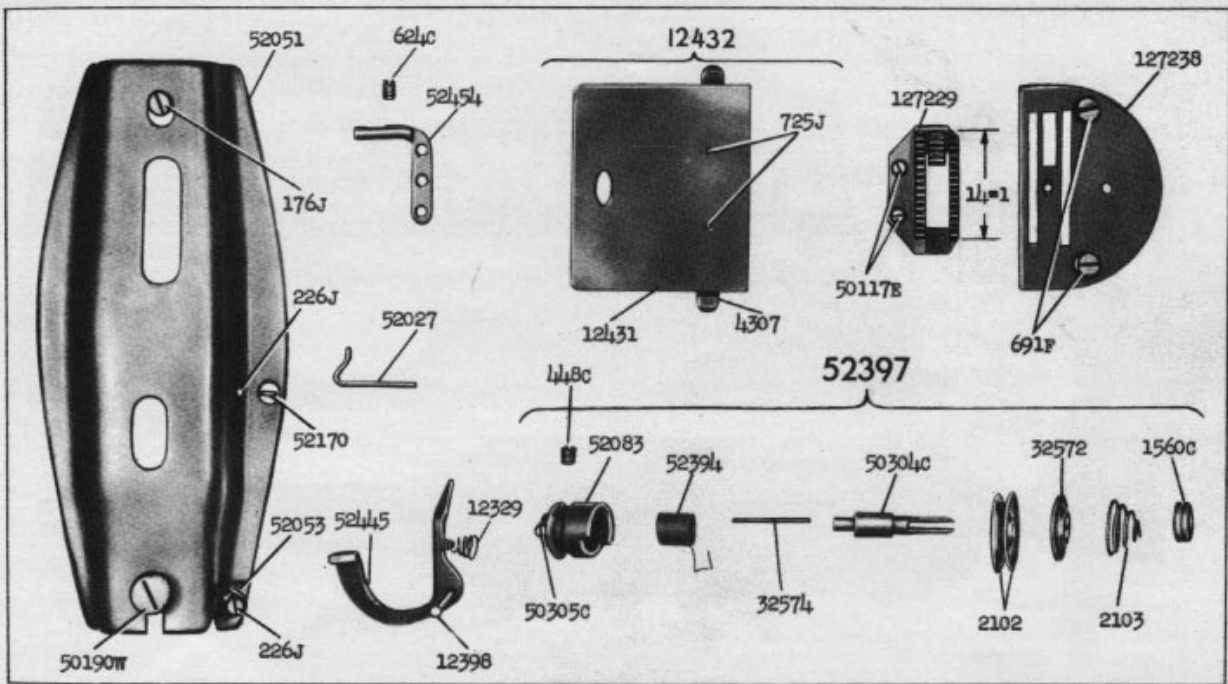




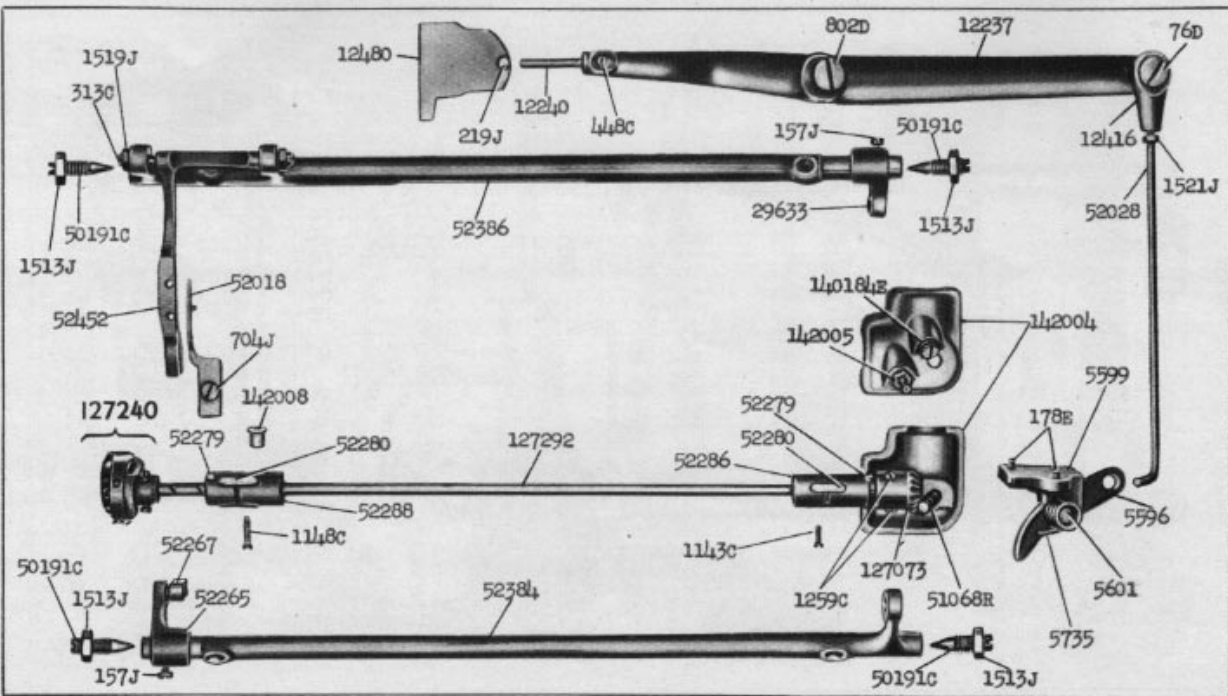
121588

121587

22981 - 1/2

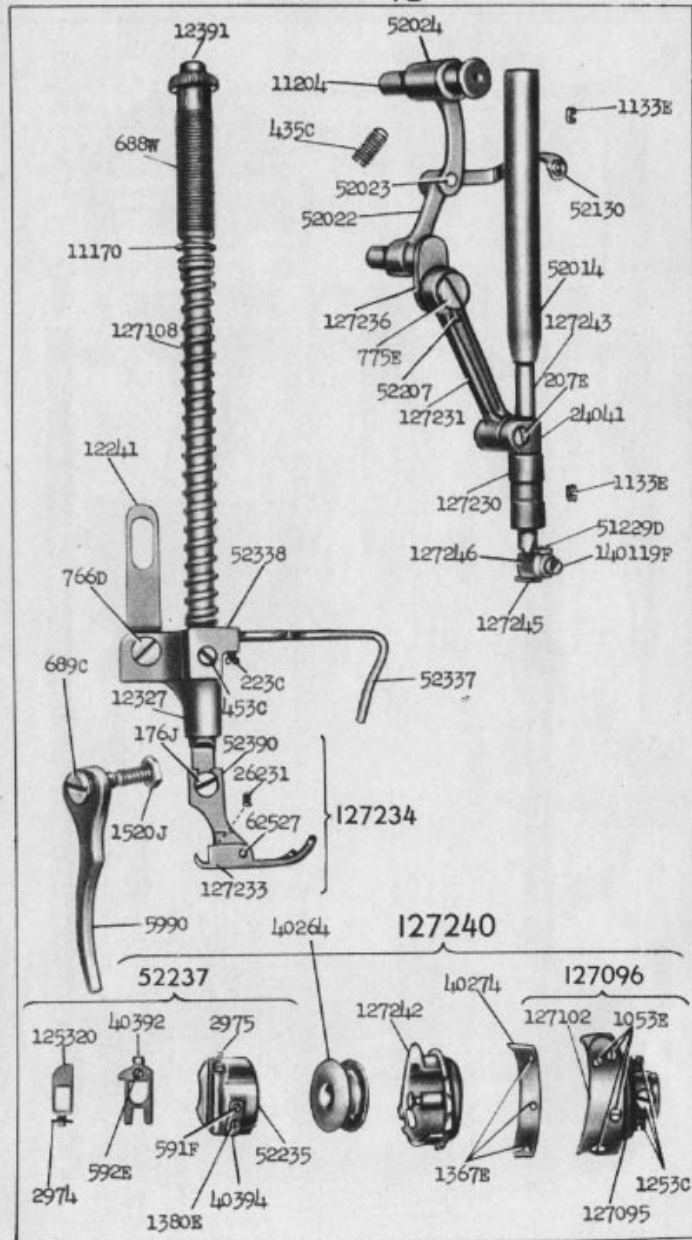


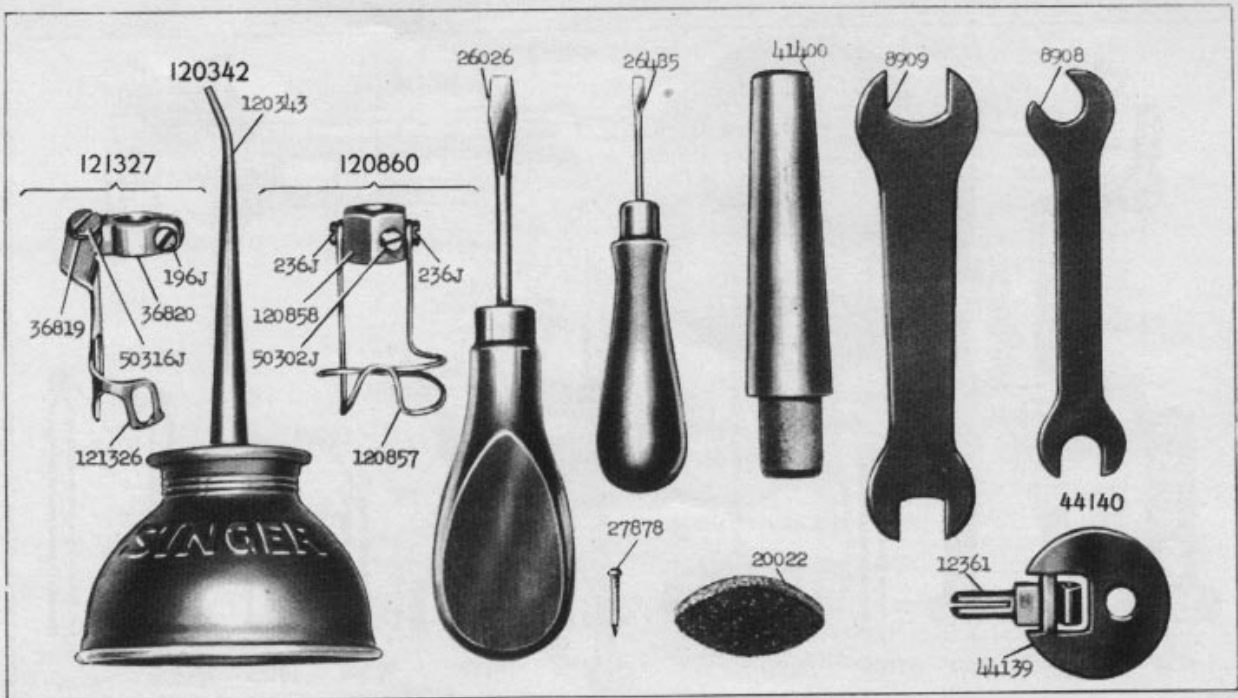
22993 - 1/2



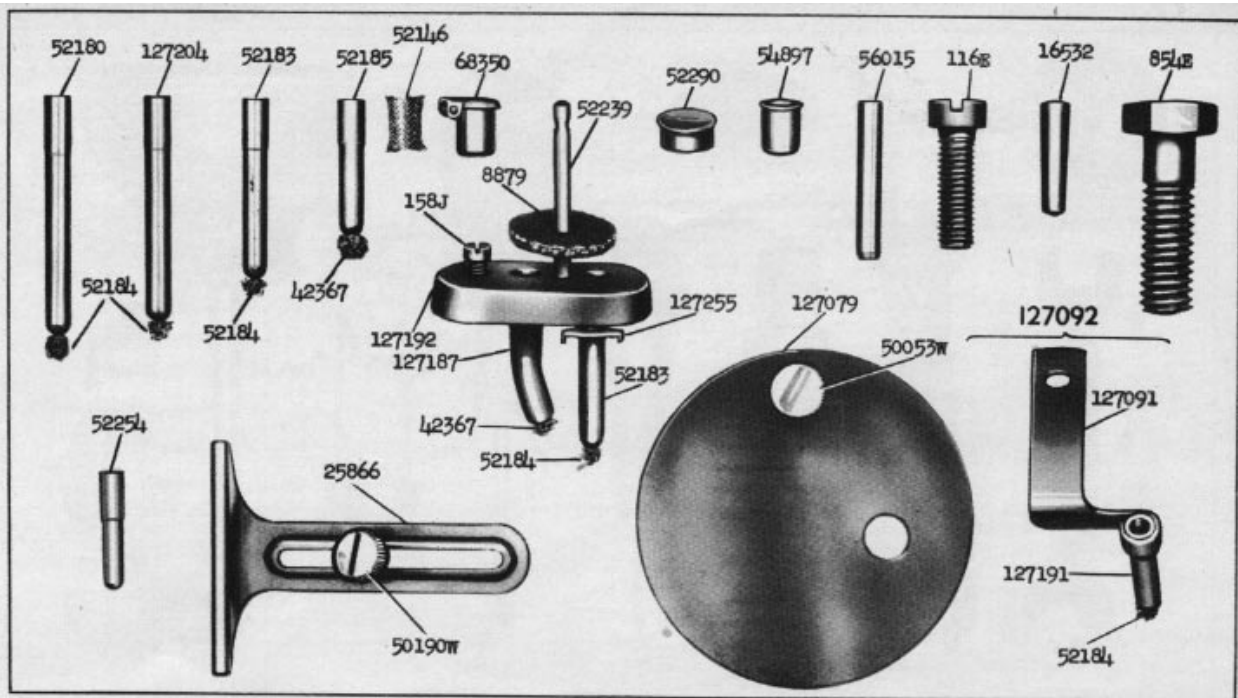
22994 - 1/3

22995 - 1/2

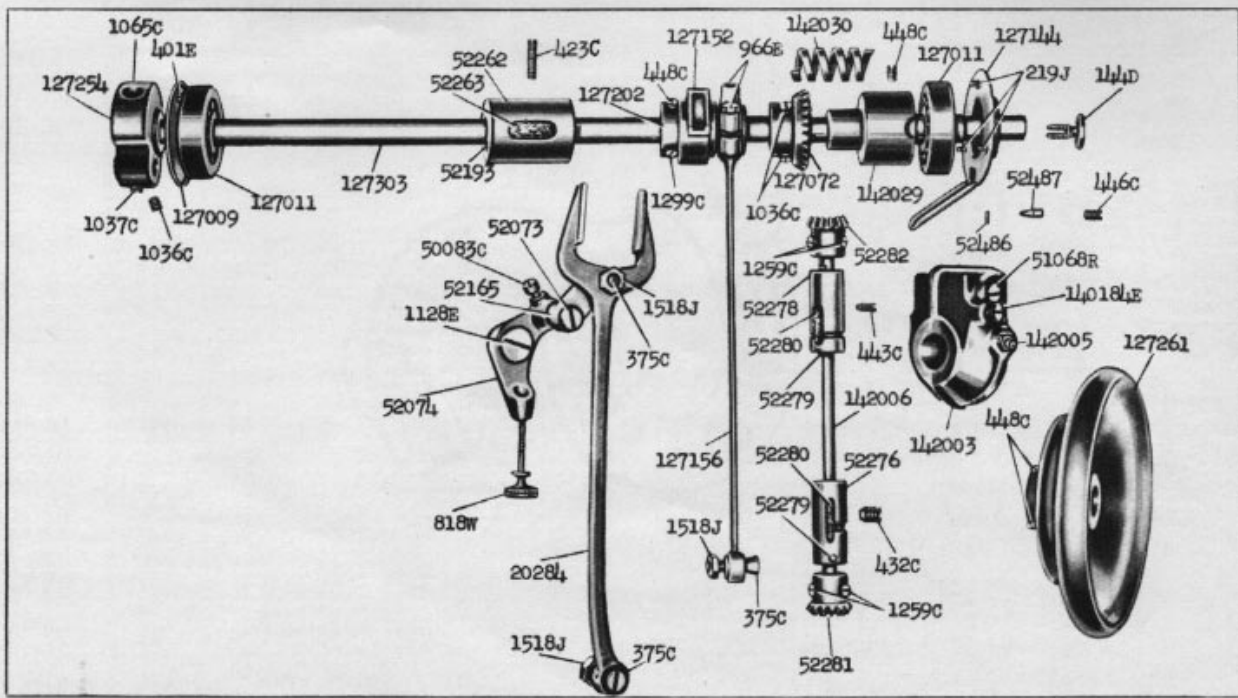




22996 - 1/2



22997 - 2/3



22998 - 1/3