

Form 19270
(639)
Printed in U. S. A.

LIST OF PARTS



MACHINES
Nos. 96-81 and 96-84

THE SINGER MANUFACTURING COMPANY

INSTRUCTIONS FOR OILING

Use only Singer "Oil For High Speed Sewing Machines (Cloth and Leather)" for general use, or "Stainless Oil For High Speed Sewing Machines" where a stainless oil is desired.

Oil should be applied to all oil holes and bearings of the machine at least four times a day. Keep all wicking saturated with oil.

The upper and lower gears of the upright arm shaft should be greased with Singer Gear Lubricant every 160 hours of operation, using an Alemite-Zerk grease gun.

INDEX

	Page
Accessories.....	24
Bobbin Winders.....	24
Finger Guards.....	27
Foot Lifter Parts.....	27
Knee Lifter Parts.....	28
Machine Base.....	29
Machine No. 96-81.....	5
Machine No. 96-84.....	14
Numerical List of Parts.....	31
Thread Unwinder.....	30

Copyright, U. S. A., 1938 and 1939
by The Singer Manufacturing Co.
All Rights Reserved for all Countries

INSTRUCTIONS FOR ORDERING

In ordering from this list, use ONLY the part NUMBER in the FIRST column.

The number stamped on a Sewing Machine Part is in every case the number of the single part only.

Every combination of parts sent out as such has its specific number, which, although not stamped on the parts, must be used when ordering the combination.

Each number always indicates the SAME PART in whatever list it appears, or for whatever machine.

The letters after some of the numbers indicate the style of finish only, as follows:

- A-Hardened, Polished, Nickel Plated and Buffed
- A.A-Buffed and Chromium Plated
- A.B-Hardened, Polished, Buffed and Chromium Plated
- B-Polished, Nickel Plated and Buffed
- C-Hardened Only
- C.R-Hardened and Merlized
- D-Polished Only
- E-Soft, Not Polished
- F-Hardened and Polished
- F.J-Hardened, Polished and Nickel Plated
- G-Bright Rumbled and Nickel Plated
- H-Blued
- J-Nickel Plated Only
- K-Hardened and Nickel Plated
- L-Brass Plated
- M-Oxidized
- N-Japanned, Dull
- P-Japanned, Bright
- P.P-Wrinkle Finish
- R-Merlized
- S-Cadmium Plated
- T-Copper Plated
- T.A-Hardened, Polished, Copper and Nickel Plated and Buffed
- T.B-Copper and Nickel Plated and Polished
- T.J-Copper and Nickel Plated Only
- T.K-Hardened, Copper and Nickel Plated
- T.L-Copper and Brass Plated
- T.M-Copper Plated and Oxidized
- U-Zinc Plated
- V-Silver Plated
- W-Polished and Nickel Plated
- X-Black Oxide, for Iron and Steel
- X.C-Hardened and Black Oxide, for Iron or Steel
- Y-Black Nickel Plated Only
- Z-Chromium Plated
- Z.A-Hardened, Polished, Nickel Plated, Buffed and Chromium Plated
- Z.B-Polished, Nickel Plated, Buffed and Chromium Plated
- Z.C-Hardened and Chromium Plated
- Z.D-Polished and Chromium Plated
- Z.G-Bright Rumbled, Bright Rumbled and Chromium Plated
- Z.J-Nickel and Chromium Plated
- Z.T-Copper and Chromium Plated

These letters MUST BE USED when they appear in the list; and AFTER the number as in the list.

In this series:

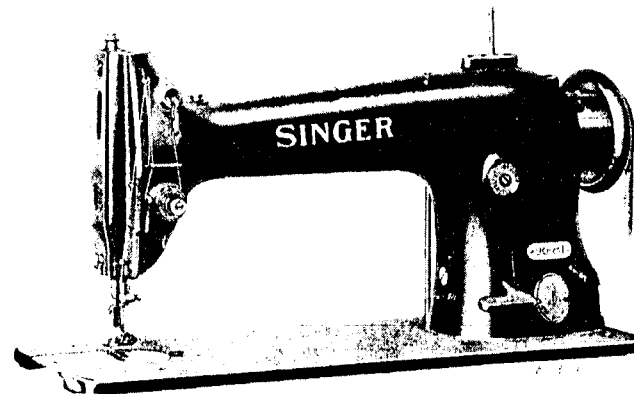
- 1 to 1500, 50001 to 51500 and 140001 to 142000 are Screw Numbers
- 1501 to 1800 and 51501 to 51800 are Nut Numbers
- 1801 to 2000 and 51801 to 52000 are Roller Numbers
- 2001 to 50000 and 52001 to 140000 and 142001 to 190000 are Sewing Machine Parts, 190001 and upward are numbers of Electrical Parts.

The figures in the second column refer only to the plates, illustrating the parts, and are NOT TO BE USED in ordering.

Parts marked with an asterisk (*) are furnished only when repairs are made at factory.

LIST OF PARTS COMPLETE

FOR



MACHINE No. 96-81

For Medium and Heavy Weight Clothing and Other Work in Cloth. Has reversible feed mechanism. Maximum stitch 5 1/2 to the inch. Drop feed. Presser bar lift 5/16 inch. The Machine is fitted with heavy gear shafts and three plain bearings for the arm shaft. The gears are lubricated with grease instead of oil. The grease is applied with a Alemite Zerk hand pressure gun. Speed up to 3500 R. P. M., according to the material being stitched.

No.	Plate	Name
*127275	-----	Arm with 15404 and two each 15405 and 56015.....
16532	22249	Arm Dowel Pin.....
52183	22249	" O11 Tube with 52184, for oiling 52024 and 127156.....
52180	22249	Arm O11 Tube (long) with 52184, for oiling 52022.....
52185	22249	Arm O11 Tube (short) with 42367, for oiling 52022.....

Note: Due to the accuracy required for gear alignment, Arm cannot be supplied separately and can only be sent out as a unit, Arm and Bed assembled.

No.	Plate	Name
52182	22249	Arm Oil Tube with 52184, for oiling 127231.....
127187	22249	Arm Oil Tube (bent) with 42367, for oiling 127152.....
52254	22249	Arm Oil Tube for oiling 52262.....
56015	22249	" " " " " 142006.....
42367	22249	" " " Packing (braided cotton) for 52185 and 127187.....
52184	22249	Arm Oil Tube Packing (wick) for 52180, 52182 and 52183.....
52290	22249	Arm Oil Tube Plug.....
116E	22249	" Screw (back).....
854E	22249	" " (front).....
127265	22250	" Shaft (horizontal).....
127266	-----	" " " 127265 with 52196 and 127253.....
54897	22249	Arm Shaft (horizontal) Back Bearing Oil Cup.....
127072	22250	Arm Shaft (horizontal) Bevel Gear with two 1036C.....
142003	22250	Arm Shaft (horizontal) Bevel Gear Case (two pieces) with 51068R, 140184E and 142005.....
142005	22250	Arm Shaft (horizontal) Bevel Gear Case Alemite Fitting.....
140184E	22250	Arm Shaft (horizontal) Bevel Gear Case Plug Screw.....
51068R	22250	Arm Shaft (horizontal) Bevel Gear Case Screw.....
1036C	22250	Arm Shaft (horizontal) Bevel Gear Set Screw.....
52260	22250	Arm Shaft (horizontal) Flanged Bushing (back) with 52193 and 52289.....
52193	22250	Arm Shaft (horizontal) Flanged Bushing (back) Oil Pad (inside) braided cotton.....
52289	22250	Arm Shaft (horizontal) Flanged Bushing (back) Oil Pad (outside) felt.....
448C	22250	Arm Shaft (horizontal) Flanged Bushing (back) Set Screw.....
52196	22250	Arm Shaft (horizontal) Flanged Bushing (front) with 52193 and 52198.....
52193	22250	Arm Shaft (horizontal) Flanged Bushing (front) Oil Pad (inside) braided cotton.....
52198	22250	Arm Shaft (horizontal) Flanged Bushing (front) Oil Pad (outside) felt.....
435C	22250	Arm Shaft (horizontal) Flanged Bushing (front) Set Screw.....
68350	22249	Arm Shaft (horizontal) Front Bearing Oil Cup.....

No.	Plate	Name
52262	22250	Arm Shaft (horizontal) Intermediate Bushing with 52193 and 52263.....
52193	22250	Arm Shaft (horizontal) Intermediate Bushing Oil Pad (inside) braided cotton.....
52263	22250	Arm Shaft (horizontal) Intermediate Bushing Oil Pad (outside) felt.....
423C	22250	Arm Shaft (horizontal) Intermediate Bushing Set Screw.....
144D	22250	Arm Shaft (horizontal) Screw.....
142006	22250	" " (upright).....
52281	22250	" " " Bevel Gear (lower) with two 1259C.....
1259C	22250	Arm Shaft (upright) Bevel Gear (lower) Set Screw.....
52282	22250	Arm Shaft (upright) Bevel Gear (upper) with two 1259C.....
1259C	22250	Arm Shaft (upright) Bevel Gear (upper) Set Screw.....
52276	22250	Arm Shaft (upright) Bushing (lower) with 52279 and 52280.....
432C	22250	Arm Shaft (upright) Bushing (lower) Set Screw.....
52278	22250	Arm Shaft (upright) Bushing (upper) with 52279 and 52280.....
443C	22250	Arm Shaft (upright) Bushing (upper) Set Screw.....
52280	22250	Arm Shaft (upright) Bushing Oil Pad (outside) felt.....
52279	22250	Arm Shaft (upright) Bushing Oil Wick (inside) braided cotton.....
127146	22979	Arm Side Cap.....
219J	22979	" " " Screw.....
127079	22249	" " Cover.....
50053J	22249	" " " Thumb Screw.....
52239	22249	" Spool Pin and Thread Eyelet.....
8879	22249	" " " Washer (cloth).....
127192	22249	" Top Cover.....
127193	-----	" " " 127192 with 52183, 52239, 127187 and 127255.....
127255	22249	Arm Top Cover Positioning Disc.....
158J	22249	" " " Screw.....
52176	22250	Balance Wheel (power, disc) 2 3/16 in. pulley, with two 448C.....
448C	22250	Balance Wheel Set Screw.....
*127270	-----	Bed.....

Note: Due to the accuracy required for gear alignment, Bed cannot be supplied separately and can only be sent out as a unit, Arm and Bed assembled.

No.	Plate	Name
12431	22976	Bed Slide.....
4307	22976	" " Spring.....
725J	22976	" " " Screw.....
12432	22976	Bed Slide complete, Nos. 4307, 12431 and two 725J.....
52051	22976	Face Plate.....
176J	22976	" " Screw.....
52053	22976	" " Thread Guard (lower).....
226J	22976	" " " " " Screw... ..
52170	22976	" " " " (upper).....
226J	22976	" " " " " Screw... ..
52052	-----	Face Plate complete, Nos. 52051, 52053, 52170 and two 226J.....
50190W	22976	Face Plate Thumb Screw.....
52452	22979	Feed Bar.....
313C	22979	" " Screw Center.....
56813	-----	" " " " 313C with 1519J... ..
1519J	22979	" " " " Nut.....
52165	22250	" Connecting Link.....
375C	22250	" " " Hinge Screw.....
1518J	22250	" " " " " Nut....
52073	22250	" " " " Stud.....
50083C	22250	" " " " " Set Screw
26603	-----	" Dog, 20 teeth (16 teeth to the inch) for 20356 and 20357.....
28360	-----	Feed Dog, 15 conical teeth (12 teeth to the inch) for 20356 and 20357.....
121446	22976	Feed Dog, 13 spiked teeth (10 teeth to the inch) for 127306 and 127307.....
Note: Feed Dog 121446 is sent with this machine unless another Feed Dog is specified on order.		
50117E	22976	Feed Dog Screw.....
127247	22250	Feed and Feed Lifting Eccentric with 448C, 1299C, 52210 and 52211.....
127248	-----	Feed and Feed Lifting Eccentric 127247 with 127152.....
52210	-----	Feed and Feed Lifting Eccentric Lubricating Pad (long) wood.....
52211	-----	Feed and Feed Lifting Eccentric Lubricating Pad (short) wood.....
1299C	22250	Feed and Feed Lifting Eccentric Position Screw.....
448C	22250	Feed and Feed Lifting Eccentric Set Screw.....
127152	22250	Feed and Feed Lifting Eccentric Sleeve..
52407	22250	" Forked Connection.....
52451	-----	" " " 52407 with 375C, 1518J and 52165.....
375C	22250	Feed Forked Connection Hinge Screw.....
1518J	22250	" " " " " Nut..

No.	Plate	Name
52384	22979	Feed Lifting Rock Shaft.....
127269	-----	Feed Lifting Rock Shaft complete, Nos. 52265 and 52384.....
127156	22250	Feed Lifting Rock Shaft Connecting Rod with two 966E.....
966E	22250	Feed Lifting Rock Shaft Connecting Rod Cap Screw.....
375C	22250	Feed Lifting Rock Shaft Connecting Rod Hinge Screw.....
1518J	22250	Feed Lifting Rock Shaft Connecting Rod Hinge Screw Nut.....
52265	22979	Feed Lifting Rock Shaft Crank with 157J and 52267.....
157J	22979	Feed Lifting Rock Shaft Crank Clamping Screw.....
52267	22979	Feed Lifting Rock Shaft Crank Slide Block.....
50191C	22979	Feed Lifting Rock Shaft Screw Center....
52097	-----	" " " " " " 50191C with 1513J.....
1513J	22979	Feed Lifting Rock Shaft Screw Center Nut
50338E	22250	" Regulating Stud.....
56032	22250	" " " Head with 56033....
50193J	22250	" " " " Cap Screw....
56033	22250	" " " " Stop Pin.....
56034	22250	" " " Lock Pin.....
56035	22250	" " " " Spring....
52408	22250	" Regulator with 50083C.....
52411	-----	" " 52408 with 52073.....
1128E	22250	" " Hinge Screw.....
52409	22250	" Reverse Lever with 158J and 51846..
50339D	22250	" " " Hinge Screw.....
158J	22250	" " " " " Clamping Screw.....
52410	22250	Feed Reverse Lever Hinge Screw Friction Washer.....
51846	22250	Feed Reverse Lever Roller and Stud.....
52386	22979	" Rock Shaft.....
29633	22979	" " " Crank with 157J.....
157J	22979	" " " " Clamping Screw....
52387	-----	Feed Rock Shaft complete, Nos. 29633 and 52386.....
50191C	22979	Feed Rock Shaft Screw Center.....
52097	-----	" " " " " 50191C with 1513J.....
1513J	22979	Feed Rock Shaft Screw Center Nut.....
25866	22249	Guide.....
50190W	22249	" Thumb Screw.....
127088	22977	Needle Bar (hollow).....
127116	-----	" " 127088 with 229J, 52306 and 52307.....

No.	Plate	Name
127230	22977	Needle Bar Bushing (lower).....
1133E	22977	" " " " Set Screw....
52014	22977	" " " (upper).....
1133E	22977	" " " " Set Screw....
127231	22977	" " Connecting Link with 52207...
127232	-----	" " " " 127231 with 24041.....
775E	22977	Needle Bar Connecting Link Cap Screw....
52207	-----	" " " " Lubricating Pad (wood).....
24041	22977	Needle Bar Connecting Stud with 207E....
207E	22977	" " " " Clamping Screw
127253	22250	" " Crank with 1036C, 1037C and 1065C.....
1065C	22250	Needle Bar Crank Position Screw.....
52306	22977	" " Thread Guard.....
229J	22977	" " " " Screw.....
52307	22977	" Clamp with 51460F.....
51460F	22977	" " Screw.....
127191	22249	Oil Tube with 52184.....
127091	22249	" " Bracket.....
127092	22249	" " " 127091 with 127191, for oiling 52165.....
52184	22249	Oil Tube Packing (wick).....
12391	22977	Presser Bar (hollow).....
52338	22977	" " Guide Bracket with 223C and 453C.....
453C	22977	Presser Bar Guide Bracket Set Screw....
52016	22977	" " Lifter.....
689C	22977	" " " Hinge Screw.....
1520J	22977	" " " " Nut.....
12327	22977	" " Lifting and Releasing Lever Bracket.....
127108	22977	Presser Bar Spring.....
11170	22977	" " " Washer.....
62527	22977	" Foot Hinge Pin.....
52426	22977	" " Plate.....
52390	22977	" " Shank.....
26231	22977	" " Spring.....
52427	22977	Presser Foot (spring hinged) complete, Nos. 26231, 52390, 52426 and 62527..
176J	22977	Presser Foot Screw.....
686W	22977	Pressure Regulating Thumb Screw.....
127095	22977	Rotating Hook with three 1253C.....
127096	22977	" " 127095 with 127102 and four 1053E.....
*127239	-----	Rotating Hook 127096 with 40274, 127242 and three 1367E.....
127097	-----	Rotating Hook 127096 with 40274 and three 1367E (For agents only).....

No.	Plate	Name
127240	22977	Rotating Hook 127239 with 52237.....
40264	22977	" " Bobbin.....
52235	22977	" " " Case.....
52236	-----	" " " " 52235 with 591F, 1380E and 40394.....
40393	-----	Rotating Hook Bobbin Case Hinge, Nos. 2974, 40392 and 125320.....
40392	22977	Rotating Hook Bobbin Case Latch.....
125320	22977	" " " " " Lever...
2974	22977	" " " " " " Ful- crum Pin.....
2975	22977	Rotating Hook Bobbin Case Latch Spring..
592E	22977	" " " " " Stop Screw
591F	22977	" " " " " Tension Regu- lating Screw.....
40394	22977	Rotating Hook Bobbin Case Tension Spring
1380E	22977	" " " " " " "
52237	22977	Screw.....
127241	-----	Rotating Hook Bobbin Case complete, Nos. 592E, 2975, 40393 and 52236.....
127242	22977	Rotating Hook Bobbin Case 52237 with 127242.....
52018	22979	Rotating Hook Bobbin Case Holder.....
704J	22979	" " " " " Position Bracket.....
40274	22977	Rotating Hook Bobbin Case Holder Posi- tion Bracket Screw.....
1367E	22977	Rotating Hook Section.....
1253C	22977	" " " Screw.....
127292	22979	" " Set Screw.....
127073	22979	" " Shaft.....
142004	22979	" " " Bevel Gear with two 1259C.....
142005	22979	Rotating Hook Shaft Bevel Gear Case (two pieces) with 51068R, 140184E and 142005.....
140184E	22979	Rotating Hook Shaft Bevel Gear Case Ale- mite Fitting.....
51068R	22979	Rotating Hook Shaft Bevel Gear Case Plug Screw.....
1259C	22979	Rotating Hook Shaft Bevel Gear Case Screw.....
52285	22979	Rotating Hook Shaft Bevel Gear Set Screw
52286	-----	" " " Bushing (back).....
1143C	22979	" " " " " 52285 with 52279 and 52280.....
52287	22979	Rotating Hook Shaft Bushing (back) Set Screw.....
52288	-----	Rotating Hook Shaft Bushing (front).....
		" " " " " 52287 with 52279 and 52280.....

No.	Plate	Name
142008	22979	Rotating Hook Shaft Bushing (front) Oil Cup.....
1148C	22979	Rotating Hook Shaft Bushing (front) Set Screw.....
52280	22979	Rotating Hook Shaft Bushing Oil Pad (outside) felt.....
52279	22979	Rotating Hook Shaft Bushing Oil Wick (inside) braided cotton.....
127102	22977	Rotating Hook Thread Guard.....
1053E	22977	" " " " Screw.....
52337	22977	Slack Thread Regulator.....
223C	22977	" " " " Set Screw.....
2102	22976	Tension Disc.....
1560C	22976	" Regulating Thumb Nut.....
32572	22976	" Releasing Disc.....
43944	22976	" " Lever.....
12398	22976	" " " Hinge Pin.....
12329	22976	" " " Spring.....
32574	22976	" " Pin.....
2103	22976	" Spring.....
50304C	22976	" Stud.....
52098	-----	" " 50304C with 1560C.....
50305C	22976	" " Set Screw.....
52397	22976	Tension complete, Nos. 2103, 32572, 32574, 52083, 52098, 52394 and two 2102....
52027	22976	Thread Guard (side of arm).....
52454	22976	" Retainer.....
624C	22976	" " Set Screw.....
52269	-----	Thread Take-up complete, Nos. 11204, 52025 and 52270.....
52216	22977	Thread Take-up Crank.....
52270	-----	" " " 52216 with 775E and 127232.....
1037C	22250	Thread Take-up Crank Position Screw....
1036C	22250	" " " Set Screw.....
52022	22977	" " Lever with 52130.....
52023	22977	" " " Hinge Pin.....
52024	22977	" " " Link.....
11204	22977	" " " " Hinge Pin.....
435C	22977	" " " " " " Set Screw.....
52130	22977	Thread Take-up Lever Thread Eyelet Bushing.....
52025	-----	Thread Take-up Lever complete, Nos. 52022 to 52024.....
52394	22976	Thread Take-up Spring.....
52083	22976	" " " Regulator with 50305C
448C	22976	" " " " Set Screw..
20356	-----	Throat Plate, large needle hole, for 26603 and 28360.....

No.	Plate	Name
127306	22976	Throat Plate, large needle hole, for 121446.....
20357	-----	Throat Plate, small needle hole, for 26603 and 28360.....
127307	-----	Throat Plate, small needle hole, for 121446.....
Note: Throat Plate 127306 is sent with this machine unless another Throat Plate is specified on order.		
691F	22976	Throat Plate Screw.....
44212	22910	Drip Pan with four 1 in. wire nails....
*15404	-----	Trade Mark.....
15405	-----	" " Rivet.....

LIST OF PARTS COMPLETE
FOR
MACHINE No. 96-84

For Heavy Cloth and Other Heavy Materials. Has reversible feed mechanism. Maximum stitch 5 1/2 to the inch. Drop feed. Presser bar lift 7/16 inch. The Machine is fitted with heavy gear shafts and three plain bearings for the arm shaft. The gears are lubricated with grease instead of oil. The grease is applied with Alemite Zerk hand pressure gun. Speed up to 3500 R. P. M., according to the material being stitched.

No.	Plate	Name
*127275	-----	Arm with 15404 and two each 15405 and 56015.....
Note: Due to the accuracy required for gear alignment, Arm cannot be supplied separately and can only be sent out as a unit, Arm and Bed assembled.		
16532	22249	Arm Dowel Pin.....
52183	22249	" Oil Tube with 52184, for oiling 52024 and 127156.....
52180	22249	Arm Oil Tube (long) with 52184, for oiling 52022.....
52185	22249	Arm Oil Tube (short) with 42367, for oiling 52022.....

No.	Plate	Name
52182	22249	Arm Oil Tube with 52184, for oiling 127231.....
127187	22249	Arm Oil Tube (bent) with 42367, for oiling 127152.....
52254	22249	Arm Oil Tube for oiling 52262.....
56015	22249	" " " " " 142006.....
42367	22249	" " " Packing (braided cotton) for 52185 and 127187.....
52184	22249	Arm Oil Tube Packing (wick) for 52180, 52182 and 52183.....
52290	22249	Arm Oil Tube Plug.....
116E	22249	" Screw (back).....
854E	22249	" " (front).....
127265	22250	" Shaft (horizontal).....
127266	-----	" " " 127265 with 52196 and 127253.....
54897	22249	Arm Shaft (horizontal) Back Bearing Oil Cup.....
127072	22250	Arm Shaft (horizontal) Bevel Gear with two 1036C.....
142003	22250	Arm Shaft (horizontal) Bevel Gear Case (two pieces) with 51068R, 140184E and 142005.....
142005	22250	Arm Shaft (horizontal) Bevel Gear Case Alemite Fitting.....
140184E	22250	Arm Shaft (horizontal) Bevel Gear Case Plug Screw.....
51068R	22250	Arm Shaft (horizontal) Bevel Gear Case Screw.....
1036C	22250	Arm Shaft (horizontal) Bevel Gear Set Screw.....
52260	22250	Arm Shaft (horizontal) Flanged Bushing (back) with 52193 and 52289.....
52193	22250	Arm Shaft (horizontal) Flanged Bushing (back) Oil Pad (inside) braided cotton.....
52289	22250	Arm Shaft (horizontal) Flanged Bushing (back) Oil Pad (outside) felt.....
448C	22250	Arm Shaft (horizontal) Flanged Bushing (back) Set Screw.....
52196	22250	Arm Shaft (horizontal) Flanged Bushing (front) with 52193 and 52198.....
52193	22250	Arm Shaft (horizontal) Flanged Bushing (front) Oil Pad (inside) braided cotton.....
52198	22250	Arm Shaft (horizontal) Flanged Bushing (front) Oil Pad (outside) felt.....
435C	22250	Arm Shaft (horizontal) Flanged Bushing (front) Set Screw.....
68350	22249	Arm Shaft (horizontal) Front Bearing Oil Cup.....

No.	Plate	Name
52262	22250	Arm Shaft (horizontal) Intermediate Bushing with 52193 and 52263.....
52193	22250	Arm Shaft (horizontal) Intermediate Bushing Oil Pad (inside) braided cotton.....
52263	22250	Arm Shaft (horizontal) Intermediate Bushing Oil Pad (outside) felt.....
423C	22250	Arm Shaft (horizontal) Intermediate Bushing Set Screw.....
144D	22250	Arm Shaft (horizontal) Screw.....
142006	22250	" " (upright).....
52281	22250	" " " Bevel Gear (lower) with two 1259C.....
1259C	22250	Arm Shaft (upright) Bevel Gear (lower) Set Screw.....
52282	22250	Arm Shaft (upright) Bevel Gear (upper) with two 1259C.....
1259C	22250	Arm Shaft (upright) Bevel Gear (upper) Set Screw.....
52276	22250	Arm Shaft (upright) Bushing (lower) with 52279 and 52280.....
432C	22250	Arm Shaft (upright) Bushing (lower) Set Screw.....
52278	22250	Arm Shaft (upright) Bushing (upper) with 52279 and 52280.....
443C	22250	Arm Shaft (upright) Bushing (upper) Set Screw.....
52280	22250	Arm Shaft (upright) Bushing Oil Pad (outside) felt.....
52279	22250	Arm Shaft (upright) Bushing Oil Wick (inside) braided cotton.....
12480	22979	Arm Side Cap.....
219J	22979	" " " Screw.....
127079	22249	" " Cover.....
50053J	22249	" " " Thumb Screw.....
52239	22249	" Spool Pin and Thread Eyelet.....
8879	22249	" " " Washer (cloth).....
127192	22249	" Top Cover.....
127193	-----	" " " 127192 with 52183, 52239, 127187 and 127255.....
127255	22249	Arm Top Cover Positioning Disc.....
156J	22249	" " " Screw.....
127261	22250	Balance Wheel (power, disc) 2 3/16 in. pulley, with two 448C.....
448C	22250	Balance Wheel Set Screw.....
*127270	-----	Bed.....

Note: Due to the accuracy required for gear alignment, Bed cannot be supplied separately and can only be sent out as a unit, Arm and Bed assembled.

No.	Plate	Name
12431	22976	Bed Slide.....
4307	22976	" " Spring.....
725J	22976	" " " Screw.....
12432	22976	Bed Slide complete, Nos. 4307, 12431 and two 725J.....
52051	22976	Face Plate.....
176J	22976	" " Screw.....
52053	22976	" " Thread Guard (lower).....
226J	22976	" " " " " Screw...
52170	22976	" " " " (upper).....
226J	22976	" " " " " Screw...
52052	-----	Face Plate complete, Nos. 52051, 52053, 52170 and two 226J.....
50190W	22976	Face Plate Thumb Screw.....
52452	22979	Feed Bar.....
313C	22979	" " Screw Center.....
56813	-----	" " " " 313C with 1519J...
1519J	22979	" " " " Nut.....
52165	22250	" Connecting Link.....
375C	22250	" " " Hinge Screw.....
1518J	22250	" " " " " Nut....
52073	22250	" " " " Stud.....
50083C	22250	" " " " " Set Screw
26603	-----	" Dog, 20 teeth (16 teeth to the inch) for 20356 and 20357.....
28360	-----	Feed Dog, 15 conical teeth (12 teeth to the inch) for 20356 and 20357.....
121446	22976	Feed Dog, 13 spiked teeth (10 teeth to the inch) for 127306 and 127307.....
Note: Feed Dog 121446 is sent with this machine unless another Feed Dog is specified on order.		
50117E	22976	Feed Dog Screw.....
127247	22250	" and Feed Lifting Eccentric with 448C, 1299C, 52210 and 52211.....
127248	-----	Feed and Feed Lifting Eccentric 127247 with 127152.....
52210	-----	Feed and Feed Lifting Eccentric Lubricating Pad (long) wood.....
52211	-----	Feed and Feed Lifting Eccentric Lubricating Pad (short) wood.....
1299C	22250	Feed and Feed Lifting Eccentric Positioning Screw.....
448C	22250	Feed and Feed Lifting Eccentric Set Screw.....
127152	22250	Feed and Feed Lifting Eccentric Sleeve..
52407	22250	" Forked Connection.....
52451	-----	" " " 52407 with 375C, 1518J and 52165.....
375C	22250	Feed Forked Connection Hinge Screw.....
1518J	22250	" " " " " Nut..

No.	Plate	Name
52384	22979	Feed Lifting Rock Shaft.....
127286	-----	Feed Lifting Rock Shaft complete, Nos. 52384 and 127288.....
127156	22250	Feed Lifting Rock Shaft Connecting Rod with two 966E.....
966E	22250	Feed Lifting Rock Shaft Connecting Rod Cap Screw.....
375C	22250	Feed Lifting Rock Shaft Connecting Rod Hinge Screw.....
1518J	22250	Feed Lifting Rock Shaft Connecting Rod Hinge Screw Nut.....
127288	22979	Feed Lifting Rock Shaft Crank with 157J and 52267.....
157J	22979	Feed Lifting Rock Shaft Crank Clamping Screw.....
52267	22979	Feed Lifting Rock Shaft Crank Slide Block.....
50191C	22979	Feed Lifting Rock Shaft Screw Center....
52097	-----	" " " " " " 50191C with 1513J.....
1513J	22979	Feed Lifting Rock Shaft Screw Center Nut
50338E	22250	" Regulating Stud.....
56032	22250	" " " Head with 56033....
50193J	22250	" " " Cap Screw....
56033	22250	" " " Stop Pin.....
56034	22250	" " " Lock Pin.....
56035	22250	" " " " Spring....
52408	22250	" Regulator with 50083C.....
52411	-----	" " 52408 with 52073.....
1128E	22250	" " Hinge Screw.....
52409	22250	" Reverse Lever with 158J and 51846..
50339D	22250	" " " Hinge Screw.....
158J	22250	" " " " Clamping Screw.....
52410	22250	Feed Reverse Lever Hinge Screw Friction Washer.....
51846	22250	Feed Reverse Lever Roller and Stud.....
52386	22979	" Rock Shaft.....
29633	22979	" " " Crank with 157J.....
157J	22979	" " " " Clamping Screw....
52387	-----	Feed Rock Shaft complete, Nos. 29633 and 52386.....
50191C	22979	Feed Rock Shaft Screw Center.....
52097	-----	" " " " " 50191C with 1513J.....
1513J	22979	Feed Rock Shaft Screw Center Nut.....
25866	22249	Guide.....
50190W	22249	" Thumb Screw.....
127282	22978	Needle Bar (hollow).....
127283	-----	" " 127282 with 51229D, 127245 and 127246.....

No.	Plate	Name
127305	22978	Needle Bar Bushing (lower).....
1133E	22978	" " " " Set Screw....
52448	22978	" " " (upper).....
1133E	22978	" " " " Set Screw....
127231	22978	" " Connecting Link with 52207...
127232	-----	" " " " 127231 with 24041.....
775E	22978	Needle Bar Connecting Link Cap Screw....
52207	-----	" " " " Lubricating Pad (wood).....
24041	22978	Needle Bar Connecting Stud with 207E....
207E	22978	" " " " Clamping Screw
127253	22250	" " Crank with 1036C, 1037C and 1065C.....
1065C	22250	Needle Bar Crank Position Screw.....
127245	22978	" " Thread Guard.....
51229D	22978	" " " " Screw.....
127246	22978	" Clamp with 140119F.....
140119F	22978	" " Screw.....
127191	22249	Oil Tube with 52184.....
127091	22249	" " Bracket.....
127092	22249	" " " 127091 with 127191, for oiling 52165.....
52184	22249	Oil Tube Packing (wick).....
12391	22978	Presser Bar (hollow).....
52338	22978	" " Guide Bracket with 223C and 453C.....
453C	22978	Presser Bar Guide Bracket Set Screw....
5990	22978	" " Lifter.....
689C	22978	" " " Hinge Screw.....
1520J	22978	" " " " " Nut.....
12327	22978	" " Lifting and Releasing Lever Bracket.....
127108	22978	Presser Bar Spring.....
11170	22978	" " " Washer.....
7298	22978	" Foot Hinge Pin.....
52437	22978	" " Plate.....
52438	22978	" " Shank.....
26231	22978	" " Spring.....
52439	22978	Presser Foot (spring hinged) complete, Nos. 7298, 26231, 52437 and 52438...
176J	22978	Presser Foot Screw.....
680W	22978	Pressure Regulating Thumb Screw.....
51928	22980	roller, 5/8 in. diam., 3/16 in. face, (coarse) ball bearing complete for 127271, Nos. 1528J, 201699F, 350104F and twenty-eight 206417.....
51903	22980	Roller, 7/8 in. diam., 9/64 in. face, (fine) ball bearing complete, for 62867, Nos. 1528J, 201699F, 350104F and twenty-eight 206417.....

No.	Plate	Name
51927	22980	Roller, 1 1/4 in. diam., 11/64 in. face, (coarse) ball bearing complete, for 127272, Nos. 1528J, 1766C, 50553C and twenty-four 16232.....
127273	22980	Roller Arm for 127271.....
62897	22980	" " " 62867.....
127274	22980	" " " 127272.....
440F	22980	" " Adjusting Screw.....
1547J	22980	" " " " Nut.....
2206	22980	" " Bracket for 62867 and 127271.....
46037	22980	" " " " 127272.....
316F	22980	" " " Screw Center.....
15444	-----	" " " " " 316F with 1547J.....
1547J	22980	Roller Arm Bracket Screw Center Nut.....
2205	22980	" " Lock Spring.....
176J	22980	" " " " Screw.....
1549J	22980	" " " " " Nut.....
206417	22980	" Ball, 1/16 in. diam., for 51903 and 51928.....
16232	22980	Roller Ball, 3/32 in. diam., for 51927.....
201699F	22980	" " Retaining Nut for 51903 and 51928.....
1766C	22980	Roller Ball Retaining Nut for 51927.....
350104F	22980	" Screw for 51903 and 51928.....
50553C	22980	" " " 51927.....
1528J	22980	" " Nut.....
127271	22980	Roller Presser (ball bearing) 5/8 in. diam., 3/16 in. face, (coarse) complete, Nos. 176J, 440F, 1547J, 1549J, 2205, 2206, 51928, 127273 and two 15444.....
62867	22980	Roller Presser (ball bearing) 7/8 in. diam., 9/64 in. face, (fine) complete, Nos. 176J, 440F, 1547J, 1549J, 2205, 2206, 51903, 62897 and two 15444.....
127272	22980	Roller Presser (ball bearing) (1 1/4 in. diam., 11/64 in. face, (coarse) complete, Nos. 176J, 440F, 1547J, 1549J, 2205, 46037, 51927, 127274 and two 15444.....
127095	22978	Rotating Hook with three 1253C.....
127096	22978	" " 127095 with 127102 and four 1053E.....
*127239	-----	Rotating Hook 127096 with 40274, 127242 and three 1367E.....
127097	-----	Rotating Hook 127096 with 40274 and three 1367E (For agents only).....
127240	22978	Rotating Hook 127239 with 52237.....
40264	22978	" " Bobbin.....
52235	22978	" " " Case.....

No.	Plate	Name
52236	-----	Rotating Hook Bobbin Case 52235 with 591F, 1380E and 40394.....
40393	-----	Rotating Hook Bobbin Case Hinge, Nos. 2974, 40392 and 125320.....
40392	22978	Rotating Hook Bobbin Case Latch.....
125320	22978	" " " " " Lever...
2974	22978	" " " " " " Fulcrum Pin.....
2975	22978	Rotating Hook Bobbin Case Latch Spring..
592E	22978	" " " " " Stop Screw
591F	22978	" " " " " Tension Regulating Screw.....
40394	22978	Rotating Hook Bobbin Case Tension Spring
1380E	22978	" " " " " " " Screw.....
52237	22978	Rotating Hook Bobbin Case complete, Nos. 592E, 2975, 40393 and 52236.....
127241	-----	Rotating Hook Bobbin Case 52237 with 127242.....
127242	22978	Rotating Hook Bobbin Case Holder.....
52018	22979	" " " " " Position Bracket.....
704J	22979	Rotating Hook Bobbin Case Holder Position Bracket Screw.....
40274	22978	Rotating Hook Section.....
1367E	22978	" " " Screw.....
1253C	22978	" " Set Screw.....
127292	22979	" " Shaft.....
127073	22979	" " " Bevel Gear with two 1259C.....
142004	22979	Rotating Hook Shaft Bevel Gear Case (two pieces) with 51068R, 140184E and 142005.....
142005	22979	Rotating Hook Shaft Bevel Gear Case Ale-mite Fitting.....
140184E	22979	Rotating Hook Shaft Bevel Gear Case Plug Screw.....
51068R	22979	Rotating Hook Shaft Bevel Gear Case Screw
1259C	22979	" " " " " Set Screw
52285	22979	" " " Bushing (back).....
52286	-----	" " " " " 52285 with 52279 and 52280.....
1143C	22979	Rotating Hook Shaft Bushing (back) Set Screw.....
52287	22979	Rotating Hook Shaft Bushing (front).....
52288	-----	" " " " " 52287 with 52279 and 52280.....
142008	22979	Rotating Hook Shaft Bushing (front) 011 Cup.....
1148C	22979	Rotating Hook Shaft Bushing (front) Set Screw.....

No.	Plate	Name
52280	22979	Rotating Hook Shaft Bushing Oil Pad (outside) felt.....
52279	22979	Rotating Hook Shaft Bushing Oil Wick (inside) braided cotton.....
127102	22978	Rotating Hook Thread Guard.....
1053E	22978	" " " " Screw.....
52337	22978	Slack Thread Regulator.....
223C	22978	" " " " Set Screw.....
2102	22976	Tension Disc.....
1560C	22976	" Regulating Thumb Nut.....
32572	22976	" Releasing Disc.....
52445	22976	" " Lever.....
12398	22976	" " " Hinge Pin.....
12329	22976	" " " Spring.....
32574	22976	" " Pin.....
2103	22976	" Spring.....
50304C	22976	" Stud.....
52098	-----	" " 50304C with 1560C.....
50305C	22976	" " Set Screw.....
52397	22976	Tension complete, Nos. 2103, 32572, 32574, 52083, 52098, 52394 and two 2102....
52027	22976	Thread Guard (side of arm).....
52454	22976	" Retainer.....
624C	22976	" " Set Screw.....
127235	-----	Thread Take-up complete, Nos. 11204, 52025 and 127237.....
127236	22978	Thread Take-up Crank.....
127237	-----	" " " 127236 with 775E and 127232.....
1037C	22250	Thread Take-up Crank Position Screw....
1036C	22250	" " " Set Screw.....
52022	22978	" " Lever with 52130.....
52023	22978	" " " Hinge Pin.....
52024	22978	" " " Link.....
11204	22978	" " " Hinge Pin....
435C	22978	" " " " " " Set Screw.....
52130	22978	Thread Take-up Lever Thread Eyelet Bushing.....
52025	-----	Thread Take-up Lever complete, Nos. 52022 to 52024.....
52394	22976	Thread Take-up Spring.....
52083	22976	" " " Regulator with 50305C
448C	22976	" " " " Set Screw..
20356	-----	Throat Plate, large needle hole, for 26603 and 28360.....
127306	22976	Throat Plate, large needle hole, for 121446.....
20357	-----	Throat Plate, small needle hole, for 26603 and 28360.....

No.	Plate	Name
127307	-----	Throat Plate, small needle hole, for 121446.....
Note: Throat Plate 127306 is sent with this machine unless another Throat Plate is specified on order.		
691F	22976	Throat Plate Screw.....
44212	22910	Drip Pan with four 1 in. wire nails....
*15404	-----	Trade Mark.....
15405	-----	" " Rivet.....

Genuine Singer Needles should be used
in Singer Machines.
These Needles and their Containers
are marked with the
Company's Trade Mark "SIMANCO." 1

Needles in Containers marked
"For Singer Machines"
are not Singer made needles. 2

ACCESSORIES

No.	Plate	Name
121587	22981	Grease Gun (3 oz. capacity) for Fitting No. 142005.....
121588	22981	Grease Gun (1/2 lb.capacity) for Fitting No. 142005.....
12361	22906	Machine Hinge Connection.....
44139	22906	" " Plate.....
44140	22906	Machine Hinge complete, Nos. 12361,44139 and merlized wood screw 1 1/4 in.No. 14.....
20022	22906	Machine Rest (felt).....
41400	22906	" " Pin (wood).....
120342	22906	Oiler (copper plated) with 120343.....
120343	22906	" Spout, 3 1/2 in. long.....
26026	22906	Screw Driver (large).....
26485	22906	" " (small).....
8909	22906	Wrench for 1513 and 1518.....
8908	22906	" " 1519 and 1520.....

BOBBIN WINDERS

BOBBIN WINDER

(SWINGING AUTOMATIC, LEFT HAND)

No.	Plate	Name
41913	22247	Bracket with 457C.....
41583	22247	Frame with 457C.....
34105	22247	" Hinge Pin.....
457C	22247	" " " Set Screw.....
41914	22247	" Spring.....
41585	22247	Pulley with 171D.....
171D	22247	" Set Screw.....
41586	22247	Spindle.....
41587	22247	Stop Latch.....
42614	22247	" " Hinge Stud.....
457C	22247	" " " Set Screw.....
7958	22247	" " Stop Pin.....
41588	22247	" " Tripping Arm with 185H.....
185H	22247	" " " Clamping Screw..
150459	22247	Tension Bracket with 460C.....

No.	Plate	Name
150460	22247	Tension Bracket complete, Nos. 41593 to 41595, 52183, 52239, 127187, 127255, 150459 and two 2455.....
127255	22247	Tension Bracket Positioning Disc.....
158J	22247	" " Screw.....
52239	22247	" " Spool Pin and Thread Eye- let.....
8879	22247	Tension Bracket Spool Pin Washer (cloth)
2455	22247	" Disc.....
41593	22247	" Spring.....
41594	22247	" Stud.....
460C	22247	" " Set Screw.....
41595	22247	" Thread Guide.....
60845	22247	Bobbin Winder, Nos. 7958, 34105, 41583, 41585 to 41588,41913,41914 and 42614
41915	-----	Bobbin Winder 60845 with 880E and 25446.
150461	22247	Bobbin Winder (swinging automatic, left hand) complete, Nos.41915 and 150460
880E	22247	Bobbin Winder Screw.....
25446	22247	" " " Washer.....

BOBBIN WINDER

(SWINGING AUTOMATIC, RIGHT HAND)

No.	Plate	Name
41339	22907	Base.....
41340	22907	Frame.....
1429D	22907	" Hinge Screw.....
41341	22907	" Spring.....
207D	22907	" " Screw.....
41342	22907	Pulley with 200F.....
200F	22907	" Set Screw.....
41343	22907	Spindle.....
27306	22907	Spool Pin.....
27307	22907	" Stand.....
27308	22907	Spool Stand complete, Nos. 418E, 1562J, 2106,10141,11241,27306,27307 and two each 2455 and wood screws 1 in.No.10
11241	22907	Spool Washer (cloth).....
41344	22907	Stop Latch.....
41345	22907	" " Finger.....
152F	22907	" " " Screw.....
1430D	22907	" " Hinge Screw.....
1550H	22907	" " " " Nut.....

BOBBIN WINDERS

No.	Plate	Name
41346	22907	Stop Latch Lever.....
1430D	22907	" " " Hinge Screw.....
2455	22907	Tension Disc.....
1562J	22907	" " Regulating Thumb Nut.....
418E	22907	" " Screw Stud
10141	22907	" Spring.....
2106	22907	" Thread Guide.....
60456	-----	Bobbin Winder, Nos. 152F, 207D, 1429D, 1550H, 41339 to 41346 and three 1430D
41347	22907	Bobbin Winder Nos. 60456 and two each 9331 and wood screws 1 in. No. 10 R.H.B.....
41348	22907	Bobbin Winder (swinging automatic, right hand) complete, Nos. 27308 and 41347
9331	22907	Bobbin Winder Washer.....

BOBBIN WINDER

(SWINGING AUTOMATIC, RIGHT HAND)

FOR POWER TABLE

No.	Plate	Name
225433	22908	Bobbin Winder and Tension Bracket Base..
225453	22908	Frame with 202277 and 225438.....
21454	22908	" Hinge Pin.....
202277	22908	" Oil Packing (wick).....
225438	22908	" " Well Cap.....
225455	22908	" Spring.....
225456	22908	" " Plunger.....
202473	22908	Pulley with 200380C.....
200380C	22908	" Set Screw.....
225381	22908	Spindle.....
225444	22908	Stop Latch.....
200056E	22908	" " Screw.....
225458	22908	" " Thumb Lever.....
225459	22908	" " " " Hinge Stud.....
225459	22908	" " " " Joint Stud.....
202478	22908	" " Trip Lever.....
200299H	22908	" " " " Hinge Screw.....
225461	22908	Tension Bracket with 201499B.....
200082D	22908	" " Screw.....
228026	22908	" " " Washer.....
2102	22908	" Disc.....
202407	22908	" Spring.....

BOBBIN WINDERS

No.	Plate	Name
201499B	22908	Tension Stud.....
201572B	22908	" " Thumb Nut.....
225462	22908	Tension Bracket complete, Nos. 201572B, 202407, 225461 and two 2102.....
225382	22908	Bobbin Winder complete, Nos. 200056E, 200082D, 200299H, 202473, 202478, 225381, 225433, 225444, 225453 to 225456, 225458, 225462, 228026, two each 225459 and wood screws 3/4 in. No. 12 R.H.B.....

FINGER GUARDS

No.	Plate	Name
36818	22980	Finger Guard.....
36819	22980	" " Friction Washer.....
36820	22980	" " Holder with 196J.....
196J	22980	" " " Screw.....
50316J	22980	" " Set Screw.....
36821	22980	Finger Guard complete, Nos. 36818 to 36820 and 50316J.....
120496	22980	Finger Guard.....
120497	22980	" " Holder with 50302J.....
50302J	22980	" " " Screw.....
236J	22980	" " Set Screw.....
120498	22980	Finger Guard complete, Nos. 236J, 120496 and 120497.....
120857	22980	Finger Guard.....
120858	22980	" " Holder with 50302J.....
50302J	22980	" " " Screw.....
236J	22980	" " Set Screw.....
120860	22980	Finger Guard complete, Nos. 120857, 120858 and two 236J.....

FOOT LIFTER PARTS

No.	Plate	Name
5596	22979	Bell Crank.....
56848	-----	" " 5596 with 5599 and 5601.....
5599	22979	" " Bracket.....

FOOT LIFTER PARTS

No.	Plate	Name
178E	22979	Bell Crank Bracket Screw.....
5601	22979	" " Hinge Pin.....
5735	22979	" " Spring.....
5598	-----	Bell Crank complete, Nos. 5735 and 56848
5670	22909	Chain, length 26 in. to 35 in., with 56864 and 56865.....
Note: When ordering No. 5670, state length required.		
4879	22909	Chain Connecting Link.....
56864	22909	" Hook (large).....
56865	22909	" " (small).....
12237	22979	Lifting Lever with 448C.....
52028	22979	" " Connecting Rod.....
12416	22979	" " " " Joint.....
76D	22979	" " " " " Hinge Screw.....
1521E	22979	Lifting Lever Connecting Rod Lock Nut...
802D	22979	" " Hinge Screw.....
12241	22978	" " Link.....
766D	22978	" " " Hinge Screw.....
12240	22979	" " Pin.....
448C	22979	" " " Set Screw.....
2763	22909	Rock Shaft.....
12242	22909	" " Hanger with two wood screws 1 in. No. 10.....
6337	22909	Rock Shaft Lifting Bracket with two 356C
12243	22909	" " " " Hook.....
7125	22909	" " " " Hook.....
356C	22909	" " " " Set Screw....
356C	22909	" " " " Set Screw....
2770	22909	" " Stop Dog with 140219C.....
140219C	22909	" " " " Set Screw.....
4880	22909	Rock Shaft complete, Nos. 2763, 2770, 7125, 12243 and two each 6337 and 12242...
4881	22909	Treadle.....
4882	22909	" Shaft.....
4883	22909	" Spring.....
4884	22909	" Stand.....
4885	22909	Treadle complete, Nos. 4879, 4881 to 4884 and two wood screws 1 in. No. 16....
52319	-----	Foot Lifter complete, Nos. 76D, 766D, 802D, 1521E, 4880, 4885, 5598, 5670, 12237, 12240, 12241, 12416, 52028 and two 178E

KNEE LIFTER PARTS

No.	Plate	Name
5596	22979	Bell Crank.....
56848	-----	" " 5596 with 5599 and 5601.....
5599	22979	" " Bracket.....

KNEE LIFTER PARTS

No.	Plate	Name
178E	22979	Bell Crank Bracket Screw.....
5601	22979	" " Hinge Pin.....
5735	22979	" " Spring.....
5598	-----	Bell Crank complete, Nos. 5735 and 56848
12237	22979	Lifting Lever with 448C.....
52028	22979	" " Connecting Rod.....
12416	22979	" " " " " Joint.....
76D	22979	" " " " " Hinge Screw.....
1521E	22979	Lifting Lever Connecting Rod Lock Nut...
802D	22979	" " Hinge Screw.....
12241	22978	" " Link.....
766D	22978	" " " Hinge Screw.....
12240	22979	" " Pin.....
448C	22979	" " " Set Screw.....
2763	22910	Rock Shaft.....
7539	22910	" " Hanger with two wood screws 1 in. No. 10.....
2765	22910	Rock Shaft Knee Arm.....
2766	22910	" " " " Hub with 356C.....
356C	22910	" " " " " Set Screw.....
2768	-----	Rock Shaft Knee Arm complete, Nos. 2765 to 2767.....
2767	22910	Rock Shaft Knee Plate with 356C.....
356C	22910	" " " " Set Screw.....
6337	22910	" " Lifting Bracket with two 356C
2778	22910	" " " " Hook.....
356C	22910	" " " " " Set Screw....
356C	22910	" " " " " Set Screw....
2770	22910	" " Stop Dog with 140219C.....
140219C	22910	" " " " Set Screw.....
12250	22910	Rock Shaft complete, Nos. 2763, 2768, 2778, 6337 and two each 2770 and 7539.....
52320	-----	Knee Lifter complete (power table) Nos. 76D, 766D, 802D, 1521E, 5598, 12237, 12240, 12241, 12250, 12416, 52028 and two 178E.....

MACHINE BASE

No.	Plate	Name
19219	22909	Bed Frame Cushion (leather).....
158 C	22909	" " " Screw.....
19220	22909	" " " Spring.....
19226	22909	" " Hinge Connection.....

MACHINE BASE

No.	Plate	Name
19398	-----	Bed Frame Hinge Connection 19226 with 211E and 19397.....
19397	22909	Bed Frame Hinge Connection Cap.....
211E	22909	" " " " " Screw....
16555	22909	" " " Plate.....
14010	22909	" " " " Rivet.....
20067	22909	" " with two each 16555,19398, four each 19219, 19220, six each 14010, wood screws 1 1/4 in. No. 12 and eight 158C.....

THREAD UNWINDER

FOR TWO SPOOLS OR TWO LARGE CONES OF THREAD

No.	Plate	Name
225257	22248	Spool Rest with 201018C.....
150203	22248	" " Cushion (felt).....
225388	22248	" " Rod.....
200383C	22248	" " " Set Screw.....
201018C	22248	" " Set Screw.....
202490	22248	" Stand with 200383C.....
225391	22248	Thread Guide.....
201696J	22248	" " Lock Nut.....
225326	22248	" " Position Cup.....
225324	22248	" " Rod with 208E and 225322...
208E	22248	" " " Screw.....
225322	22248	" " " Washer.....
225258	22248	Thread Unwinder complete, Nos. 201696J, 202490,225257,225324,225326,225388, two each 150203, 225391 and three wood screws 7/8 in. No. 12.....
27739	22248	Thread Cone (wood) for large cones.....
225390	22248	" " Holder, for inverted cones..

Note: Nos. 27739 and 225390 are used with, but not
included in 225258.

NUMERICAL
LIST
OF PARTS

NUMERICAL LIST OF PARTS

No.	Plate	Name
76D	22979	Lifting Lever Connecting Rod Joint Hinge Screw for 52319 and 52320.....
116E	22249	Arm Screw (back).....
144D	22250	" Shaft (horizontal) Screw.....
152F	22907	Bobbin Winder Stop Latch Finger Screw for 60456.....
157J	22979	Feed Lifting Rock Shaft Crank Clamping Screw for 52265 and 127288.....
157J	22979	Feed Rock Shaft Crank Clamping Screw for 29633.....
158J	22249	Arm Top Cover Screw.....
158C	22909	Bed Frame Cushion Screw for 20067.....
158J	22247	Bobbin Winder Tension Bracket Screw....
158J	22250	Feed Reverse Lever Hinge Screw Clamping Screw for 52409.....
171D	22247	Bobbin Winder Pulley Set Screw for 41585
176J	22976	Face Plate Screw.....
176J	22977	Presser Foot Screw.....
176J	22980	Roller Arm Lock Spring Screw for 62867, 127271 and 127272.....
178E	22979	Bell Crank Bracket Screw for 52319 and 52320.....
185H	22247	Bobbin Winder Stop Latch Tripping Arm Clamping Screw for 41588.....
196J	22980	Finger Guard Holder Screw for 36820.....
200F	22907	Bobbin Winder Pulley Set Screw for 41342
207D	22907	" " Frame Spring Screw for 60456
207E	22977	Needle Bar Connecting Stud Clamping Screw for 24041.....
208E	22248	Thread Unwinder Thread Guide Rod Screw for 225324.....
211E	22909	Bed Frame Hinge Connection Cap Screw for 19398.....
219J	22979	Arm Side Cap Screw.....
223C	22977	Slack Thread Regulator Set Screw for 52338.....
226J	22976	Face Plate Thread Guard (lower) Screw for 52052.....
226J	22976	Face Plate Thread Guard (upper) Screw for 52052.....
229J	22977	Needle Bar Thread Guard Screw for 127116
236J	22980	Finger Guard Set Screw for 120498 and 120860.....
313C	22979	Feed Bar Screw Center for 56813.....
316F	22980	Roller Arm Bracket Screw Center for 15444.....

No.	Plate	Name
356C	22910	Rock Shaft Knee Arm Hub Set Screw for 2766.....
356C	22910	Rock Shaft Knee Plate Set Screw for 2767
356C	22909	" " Lifting Bracket Hook Set Screw for 6337.....
356C	22909	Rock Shaft Lifting Bracket Set Screw for 6337.....
375C	22250	Feed Connecting Link Hinge Screw.....
375C	22250	" Forked Connection Hinge Screw for 52451.....
375C	22250	Feed Lifting Rock Shaft Connecting Rod Hinge Screw.....
418E	22907	Bobbin Winder Tension Disc Screw Stud for 27308.....
423C	22250	Arm Shaft (horizontal) Intermediate Bushing Set Screw.....
432C	22250	Arm Shaft (upright) Bushing (lower) Set Screw.....
435C	22250	Arm Shaft (horizontal) Flanged Bushing (front) Set Screw.....
435C	22977	Thread Take-up Lever Link Hinge Pin Set Screw.....
440F	22980	Roller Arm Adjusting Screw for 62867, 127271 and 127272.....
443C	22250	Arm Shaft (upright) Bushing (upper) Set Screw.....
448C	22250	Arm Shaft (horizontal) Flanged Bushing (back) Set Screw.....
448C	22250	Balance Wheel Set Screw for 52176 and 127261.....
440C	22250	Feed and Feed Lifting Eccentric Set Screw for 127247.....
448C	22979	Lifting Lever Pin Set Screw for 12237...
448C	22976	Thread Take-up Spring Regulator Set Screw.....
453C	22977	Presser Bar Guide Bracket Set Screw for 52338.....
457C	22247	Bobbin Winder Frame Hinge Pin Set Screw for 41583.....
457C	22247	Bobbin Winder Stop Latch Hinge Stud Set Screw for 41913.....
460C	22247	Bobbin Winder Tension Stud Set Screw for 150459.....
591F	22977	Rotating Hook Bobbin Case Tension Regulating Screw for 52236.....
592E	22977	Rotating Hook Bobbin Case Latch Stop Screw for 52237.....
624C	22976	Thread Retainer Set Screw.....
688W	22977	Pressure Regulating Thumb Screw.....
689C	22977	Presser Bar Lifter Hinge Screw.....

No.	Plate	Name
691F	22976	Throat Plate Screw.....
704J	22979	Rotating Hook Bobbin Case Holder Position Bracket Screw.....
725J	22976	Bed Slide Spring Screw for 12432.....
766D	22978	Lifting Lever Link Hinge Screw for 52319 and 52320.....
775E	22977	Needle Bar Connecting Link Cap Screw for 52270 and 127237.....
802D	22979	Lifting Lever Hinge Screw for 52319 and 52320.....
854E	22249	Arm Screw (front).....
880E	22247	Bobbin Winder Screw for 41915.....
966E	22250	Feed Lifting Rock Shaft Connecting Rod Cap Screw for 127156.....
1036C	22250	Arm Shaft (horizontal) Bevel Gear Set Screw for 127072.....
1036C	22250	Thread Take-up Crank Set Screw for 127253.....
1037C	22250	Thread Take-up Crank Position Screw for 127253.....
1053E	22977	Rotating Hook Thread Guard Screw for 127096.....
1065C	22250	Needle Bar Crank Position Screw for 127253.....
1128E	22250	Feed Regulator Hinge Screw.....
1133E	22977	Needle Bar Bushing (lower) Set Screw....
1133E	22977	" " " (upper) Set Screw....
1143C	22979	Rotating Hook Shaft Bushing (back) Set Screw.....
1148C	22979	Rotating Hook Shaft Bushing (front) Set Screw.....
1253C	22977	Rotating Hook Set Screw for 127095.....
1259C	22250	Arm Shaft (upright) Bevel Gear (lower) Set Screw for 52281.....
1259C	22250	Arm Shaft (upright) Bevel Gear (upper) Set Screw for 52282.....
1259C	22979	Rotating Hook Shaft Bevel Gear Set Screw for 127073.....
1299C	22250	Feed and Feed Lifting Eccentric Position Screw for 127247.....
1367E	22977	Rotating Hook Section Screw for 127097 and 127239.....
1380E	22977	Rotating Hook Bobbin Case Tension Spring Screw for 52236.....
1429D	22907	Bobbin Winder Frame Hinge Screw for 60456.....
1430D	22907	Bobbin Winder Stop Latch Hinge Screw for 60456.....
1430D	22907	Bobbin Winder Stop Latch Lever Hinge Screw for 60456.....

NUMERICAL LIST OF PARTS

No.	Plate	Name
1513J	22979	Feed Lifting Rock Shaft Screw Center Nut for 52097.....
1513J	22979	Feed Rock Shaft Screw Center Nut for 52097.....
1518J	22250	Feed Connecting Link Hinge Screw Nut....
1518J	22250	" Forked Connection Hinge Screw Nut for 52451.....
1518J	22250	Feed Lifting Rock Shaft Connecting Rod Hinge Screw Nut.....
1519J	22979	Feed Bar Screw Center Nut for 56813.....
1520J	22977	Presser Bar Lifter Hinge Screw Nut.....
1521E	22979	Lifting Lever Connecting Rod Lock Nut for 52319 and 52320.....
1528J	22980	Roller Screw Nut for 51903, 51927 and 51928.....
1547J	22980	Roller Arm Adjusting Screw Nut for 62867, 127271 and 127272.....
1547J	22980	Roller Arm Bracket Screw Center Nut for 15444.....
1549J	22980	Roller Arm Lock Spring Screw Nut for 62867, 127271 and 127272.....
1550H	22907	Bobbin Winder Stop Latch Hinge Screw Nut for 60456.....
1560C	22976	Tension Regulating Thumb Nut for 52098..
1562J	22907	Bobbin Winder Tension Disc Regulating Thumb Nut for 27308.....
1766C	22980	Roller Ball Retaining Nut for 51927.....
2102	22908	Bobbin Winder Tension Disc for 225462..
2102	22976	Tension Disc for 52397.....
2103	22976	Tension Spring for 52397.....
2106	22907	Bobbin Winder Tension Thread Guide for 27308.....
2205	22980	Roller Arm Lock Spring for 62867, 127271 and 127272.....
2206	22980	Roller Arm Bracket for 62867 and 127271.
2455	22247	Bobbin Winder Tension Disc for 27308 and 150460.....
2763	22909	Rock Shaft for 4880 and 12250.....
2765	22910	" " Knee Arm for 2768.....
2766	22910	" " " " Hub with 356C, for 2768.....
2767	22910	Rock Shaft Knee Plate with 356C, for 2768.....
2768	-----	Rock Shaft Knee Arm complete for 12250, Nos. 2765 to 2767.....
2770	22909	Rock Shaft Stop Dog with 140219C, for 4880 and 12250.....
2778	22910	Rock Shaft Lifting Bracket Hook for 12250.....
2974	22977	Rotating Hook Bobbin Case Latch Lever Fulcrum Pin for 40393.....

NUMERICAL LIST OF PARTS

No.	Plate	Name
2975	22977	Rotating Hook Bobbin Case Latch Spring for 52237.....
4307	22976	Bed Slide Spring for 12432.....
4879	22909	Chain Connecting Link for 4885.....
4880	22909	Rock Shaft complete for 52319, Nos. 2763, 2770, 7125, 12243 and two each 6337 and 12242.....
4881	22909	Treadle for 4885.....
4882	22909	" Shaft for 4885.....
4883	22909	" Spring for 4885.....
4884	22909	" Stand for 4885.....
4885	22909	Treadle complete for 52319, Nos. 4879, 4881 to 4884 and two wood screws 1 in. No. 16.....
5596	22979	Bell Crank for 56848.....
5598	-----	Bell Crank complete for 52319 and 52320, Nos. 5735 and 56848.....
5599	22979	Bell Crank Bracket for 56848.....
5601	22979	" " Hinge Pin for 56848.....
5670	22909	Chain, length 26 in. to 35 in. with 56864 and 56865, for 52319.....
5735	22979	Bell Crank Spring for 5598.....
5990	22978	Presser Bar Lifter for 96-84 Machine....
6337	22909	Rock Shaft Lifting Bracket with two 356C, for 4880 and 12250.....
7125	22909	Rock Shaft Lifting Bracket Hook for 4880
7298	22978	Presser Foot Hinge Pin for 52439.....
7539	22910	Rock Shaft Hanger with two wood screws 1 in. No. 10, for 12250.....
7958	22247	Bobbin Winder Stop Latch Stop Pin for 60845.....
8879	22249	Arm Spool Pin Washer (cloth).....
8879	22247	Bobbin Winder Tension Bracket Spool Pin Washer (cloth).....
8908	22906	Wrench for 1519 and 1520 (Accessories)
8909	22906	Wrench for 1513 and 1518 (Accessories)
9331	22907	Bobbin Winder Washer for 41347.....
10141	22907	" " Tension Spring for 27308..
11170	22977	Presser Bar Spring Washer.....
11204	22977	Thread Take-up Lever Link Hinge Pin for 52269 and 127235.....
11241	22907	Bobbin Winder Spool Washer (cloth) for 27308.....
12237	22979	Lifting Lever with 448C, for 52319 and 52320.....
12240	22979	Lifting Lever Pin for 52319 and 52320..
12241	22978	" " Link for 52319 and 52320..
12242	22909	Rock Shaft Hanger with two wood screws 1 in. No. 10, for 4880.....
12243	22909	Rock Shaft Lifting Bracket Hook for 4880

No.	Plate	Name
12250	22910	Rock Shaft complete for 52320, Nos. 2763, 2768, 2778, 6337 and two each 2770 and 7539.....
12327	22977	Presser Bar Lifting and Releasing Lever Bracket.....
12329	22976	Tension Releasing Lever Spring.....
12361	22906	Machine Hinge Connection for 44140.....
12391	22977	Presser Bar (hollow).....
12398	22976	Tension Releasing Lever Hinge Pin.....
12416	22979	Lifting Lever Connecting Rod Joint for 52319 and 52320.....
12431	22976	Bed Slide for 12432.....
12432	22976	Bed Slide complete, Nos. 4307, 12431 and two 725J.....
12480	22979	Arm Side Cap for 96-04 Machine.....
14010	22909	Bed Frame Hinge Plate Rivet for 20067...
*15404	-----	Trade Mark for 127275.....
15405	-----	" " Rivet for 127275.....
15444	-----	Roller Arm Bracket Screw Center 316F with 1547J, for 62867, 127271 and 127272.....
16232	22980	Roller Ball, 3/32 in. diam., for 51927..
16532	22249	Arm Dowel Pin.....
16555	22909	Bed Frame Hinge Plate for 20067.....
19219	22909	" " Cushion (leather) for 20067...
19220	22909	" " " Spring for 20067.....
19226	22909	" " Hinge Connection for 19398...
19397	22909	" " " " Cap for 19398
19398	-----	" " " " 19226 with 211E and 19397, for 20067.....
20022	22906	Machine Rest (felt) Accessories.....
20067	22909	Bed Frame with two each 16555, 19398, four each 19219, 19220, six each 14010, wood screws 1 1/4 in. No. 12 and eight 1500.....
20356	-----	Throat Plate, large needle hole, for 26603 and 28360.....
20357	-----	Throat Plate, small needle hole, for 26603 and 28360.....
24041	22977	Needle Bar Connecting Stud with 207E, for 127232.....
25446	22247	Bobbin Winder Screw Washer for 41915....
25866	22249	Guide.....
26026	22906	Screw Driver (large) Accessories.....
26231	22977	Presser Foot Spring for 52427 and 52439.
26485	22906	Screw Driver (small) Accessories.....
26603	-----	Feed Dog, 20 teeth (16 teeth to the inch) for 20356 and 20357.....
27306	22907	Bobbin Winder Spool Pin for 27308.....
27307	22907	" " " Stand for 27308....

No.	Plate	Name
27308	22907	Bobbin Winder Spool Stand complete for 41348, Nos. 418E, 1562J, 2106, 10141, 11241, 27306, 27307 and two each 2455 and wood screws, 1 in. No. 10.....
27739	22248	Thread Unwinder Thread Cone (wood) for large cones, for 225258.....
28360	-----	Feed Dog, 15 conical teeth (12 teeth to th inch) for 20356 and 20357.....
29633	22979	Feed Rock Shaft Crank with 157J, for 52387.....
32572	22976	Tension Releasing Disc for 52397.....
32574	22976	" " Pin for 52397.....
34105	22247	Bobbin Winder Frame Hinge Pin for 60845.
36818	22980	Finger Guard for 36821.....
36819	22980	" " Friction Washer for 36821..
36820	22980	" " Holder with 196J, for 36821
36821	22980	Finger Guard complete, Nos. 36818 to 36820 and 50316J.....
40264	22977	Rotating Hook Bobbin.....
40274	22977	" " Section for 127097 and 127239.....
40392	22977	Rotating Hook Bobbin Case Latch for 40393.....
40393	-----	Rotating Hook Bobbin Case Hinge, Nos. 2974, 40392 and 125320, for 52237...
40394	22977	Rotating Hook Bobbin Case Tension Spring for 52236.....
41339	22907	Bobbin Winder Base for 60456.....
41340	22907	" " Frame for 60456.....
41341	22907	" " " Spring for 60456....
41342	22907	" " Pulley with 200F, for 60456
41343	22907	" " Spindle for 60456.....
41344	22907	" " Stop Latch for 60456.....
41345	22907	" " " " Finger for 60456
41346	22907	" " " " Lever for 60456.
41347	22907	Bobbin Winder, Nos. 60456 and two each 9331 and wood screws 1 in. No. 10 R.H.B., for 41348.....
41348	22907	Bobbin Winder (swinging automatic, right hand) complete, Nos. 27308 and 41347
41400	22906	Machine Rest Pin (wood) Accessories...
41583	22247	Bobbin Winder Frame with 457C, for 60845
41585	22247	" " Pulley with 171D, for 60845
41586	22247	" " Spindle for 60845.....
41587	22247	" " Stop Latch for 60845.....
41588	22247	" " " " Tripping Arm with 185H, for 60845.....
41593	22247	Bobbin Winder Tension Spring for 150460.
41594	22247	" " " Stud for 150460...
41595	22247	" " " Thread Guide for 150460.....

No.	Plate	Name
41913	22247	Bobbin Winder Bracket with 457C, for 60845.....
41914	22247	Bobbin Winder Frame Spring for 60845....
41915	-----	" " 60845 with 880E and 25446, for 150461.....
42367	22249	Arm Oil Tube Packing (braided cotton) for 52185 and 127187.....
42614	22247	Bobbin Winder Stop Latch Hinge Stud for 60845.....
43944	22976	Tension Releasing Lever for 96-81 Machine.....
44139	22906	Machine Hinge Plate for 44140.....
44140	22906	Machine Hinge complete, Nos. 12361,44139 and merlized wood screw 1 1/4 in.No. 14 (Accessories).....
44212	22910	Drip Pan with four 1 in. wire nails.....
46037	22980	Roller Arm Bracket for 127272.....
50053J	22249	Arm Side Cover Thumb Screw.....
50083C	22250	Feed Connecting Link Hinge Stud Set Screw for 52408.....
50117E	22976	Feed Dog Screw.....
50190W	22976	Face Plate Thumb Screw.....
50190W	22249	Guide Thumb Screw.....
50191C	22979	Feed Lifting Rock Shaft Screw Center for 52097.....
50191C	22979	Feed Rock Shaft Screw Center for 52097..
50193J	22250	" Regulating Stud Head Cap Screw....
50302J	22980	Finger Guard Holder Screw for 120497 and 120858.....
50304C	22976	Tension Stud for 52098.....
50305C	22976	" " Set Screw for 52083.....
50316J	22980	Finger Guard Set Screw for 36821.....
50330E	22250	Feed Regulating Stud.....
50339D	22250	" Reverse Lever Hinge Screw.....
50553C	22980	Roller Screw for 51927.....
51068R	22250	Arm Shaft (horizontal) Bevel Gear Case Screw for 142003.....
51068R	22979	Rotating Hook Shaft Bevel Gear Case Screw for 142004.....
51229D	22978	Needle Bar Thread Guard Screw for 127283
51460F	22977	" Clamp Screw for 52307.....
51846	22250	Feed Reverse Lever Roller and Stud for 52409.....
51903	22980	Roller, 7/8 in.diam., 9/64 in. face, (fine) ball bearing complete for 62867, Nos. 1528J, 201699F, 350104F and twenty-eight 206417.....
51927	22980	Roller, 1 1/4 in. diam., 11/64 in. face, (coarse) ball bearing complete for 127272, Nos.1528J, 1766C, 50553C and twenty-four 16232.....

No.	Plate	Name
51928	22980	Roller, 5/8 in. diam., 3/16 in. face, (coarse) ball bearing complete for 127271, Nos. 1528J, 201699F, 350104F and twenty-eight 206417.....
52014	22977	Needle Bar Bushing (upper) for 96-81 Machine.....
52016	22977	Presser Bar Lifter for 96-81 Machine....
52018	22979	Rotating Hook Bobbin Case Holder Position Bracket.....
52022	22977	Thread Take-up Lever with 52130, for 52025.....
52023	22977	Thread Take-up Lever Hinge Pin for 52025
52024	22977	" " " Link for 52025.....
52025	-----	Thread Take-up Lever complete, Nos.52022 to 52024, for 52269 and 127235.....
52027	22976	Thread Guard (side of arm).....
52028	22979	Lifting Lever Connecting Rod for 52319 and 52320.....
52051	22976	Face Plate for 52052.....
52052	-----	Face Plate complete, Nos. 52051, 52053, 52170 and two 226J.....
52053	22976	Face Plate Thread Guard (lower) for 52052.....
52073	22250	Feed Connecting Link Hinge Stud for 52411.....
52083	22976	Thread Take-up Spring Regulator with 50305C, for 52397.....
52097	-----	Feed Lifting Rock Shaft Screw Center 50191C with 1513J.....
52097	-----	Feed Rock Shaft Screw Center 50191C with 1513J.....
52098	-----	Tension Stud 50304C with 1560C, for 52397.....
52130	22977	Thread Take-up Lever Thread Eyelet Bushing for 52022.....
52165	22250	Feed Connecting Link for 52451.....
52170	22976	Face Plate Thread Guard (upper) for 52052.....
52176	22250	Balance Wheel (power, disc) 2 3/16 in. pulley with two 448C, for 96-81 Machine.....
52180	22249	Arm Oil Tube (long) with 52184, for oiling 52022.....
52182	22249	Arm Oil Tube with 52184, for oiling 127231.....
52183	22249	Arm Oil Tube with 52184, for oiling 52024 and 127156, for 127193 and 150460.....
52184	22249	Arm Oil Tube Packing (wick) for 52180, 52182 and 52183.....

NUMERICAL LIST OF PARTS

No.	Plate	Name
52184	22249	Oil Tube Packing (wick) for 127191.....
52185	22249	Arm Oil Tube (short) with 42367, for oiling 52022.....
52193	22250	Arm Shaft (horizontal) Flanged Bushing (back) Oil Pad (inside) braided cot- ton for 52260.....
52193	22250	Arm Shaft (horizontal) Flanged Bushing (front) Oil Pad (inside) braided cotton for 52196.....
52193	22250	Arm Shaft (horizontal) Intermediate Bushing Oil Pad (inside) braided cotton for 52262.....
52196	22250	Arm Shaft (horizontal) Flanged Bushing (front) with 52193 and 52198, for 127266.....
52198	22250	Arm Shaft (horizontal) Flanged Bushing (front) Oil Pad (outside) felt, for 52196.....
52207	-----	Needle Bar Connecting Link Lubricating Pad (wood) for 127231.....
52210	-----	Feed and Feed Lifting Eccentric Lubri- cating Pad (long) wood, for 127247..
52211	-----	Feed and Feed Lifting Eccentric Lubri- cating Pad (short) wood, for 127247.
52216	22977	Thread Take-up Crank for 52270.....
52235	22977	Rotating Hook Bobbin Case for 52236.....
52236	-----	" " " " 52235 with 591F, 1380E and 40394, for 52237....
52237	22977	Rotating Hook Bobbin Case complete, Nos. 592E, 2975, 40393 and 52236, for 127240 and 127241.....
52239	22249	Arm Spool Pin and Thread Eyelet for 127193.....
52239	22247	Bobbin Winder Tension Bracket Spool Pin and Thread Eyelet for 150460.....
52254	22249	Arm Oil Tube for oiling 52262.....
52260	22250	Arm Shaft (horizontal) Flanged Bushing (back) with 52193 and 52289.....
52262	22250	Arm Shaft (horizontal) Intermediate Bushing with 52193 and 52263.....
52263	22250	Arm Shaft (horizontal) Intermediate Bushing Oil Pad (outside) felt, for 52262.....
52265	22979	Feed Lifting Rock Shaft Crank with 157J and 52267, for 127269.....
52267	22979	Feed Lifting Rock Shaft Crank Slide Block for 52265 and 127288.....
52269	-----	Thread Take-up complete for 96-81 Ma- chine, Nos. 11204, 52025 and 52270..
52270	-----	Thread Take-up Crank 52216 with 775E and 127232, for 52269.....

NUMERICAL LIST OF PARTS

No.	Plate	Name
52276	22250	Arm Shaft (upright) Bushing (lower) with 52279 and 52280.....
52278	22250	Arm Shaft (upright) Bushing (upper) with 52279 and 52280.....
52279	22250	Arm Shaft (upright) Bushing Oil Wick (inside) braided cotton for 52276 and 52278.....
52279	22979	Rotating Hook Shaft Bushing Oil Wick (inside) braided cotton for 52286 and 52288.....
52280	22250	Arm Shaft (upright) Bushing Oil Pad (outside) felt, for 52276 and 52278.
52280	22979	Rotating Hook Shaft Bushing Oil Pad (outside) felt, for 52286 and 52288.
52281	22250	Arm Shaft (upright) Bevel Gear (lower) with two 1259C.....
52282	22250	Arm Shaft (upright) Bevel Gear (upper) with two 1259C.....
52285	22979	Rotating Hook Shaft Bushing (back) for 52286.....
52286	-----	Rotating Hook Shaft Bushing (back) 52286 with 52279 and 52280.....
52287	22979	Rotating Hook Shaft Bushing (front) for 52288.....
52288	-----	Rotating Hook Shaft Bushing (front) 52287 with 52279 and 52280.....
52289	22250	Arm Shaft (horizontal) Flanged Bushing (back) Oil Pad (outside) felt, for 52260.....
52290	22249	Arm Oil Tube Plug.....
52306	22977	Needle Bar Thread Guard for 12711.....
52307	22977	" Clamp with 51460F, for 127116....
52319	-----	Foot Lifter complete, Nos. 76D, 766D, 802D, 1521E, 4880, 4885, 5598, 5670, 12237, 12240, 12241, 12416, 52028 and two 178E
52320	-----	Knee Lifter complete (power table) Nos. 76D, 766D, 802D, 1521E, 5598, 12237, 12240, 12241, 12250, 12416, 52028 and two 178E.....
52337	22977	Slack Thread Regulator.....
52338	22977	Presser Bar Guide Bracket with 223C and 453C.....
52384	22979	Feed Lifting Rock Shaft for 127269 and 127286.....
52386	22979	Feed Rock Shaft for 52387.....
52387	-----	Feed Rock Shaft complete, Nos. 29633 and 52386.....
52390	22977	Presser Foot Shank for 52427.....
52394	22976	Thread Take-up Spring for 52397.....
52397	22976	Tension complete, Nos. 2103, 32572, 32574, 52083, 52098, 52394 and two 2102.....

No.	Plate	Name
52407	22250	Feed Forked Connection for 52451.....
52408	22250	" Regulator with 50083C, for 52411...
52409	22250	" Reverse Lever with 158J and 51846..
52410	22250	" " " Hinge Screw Friction Washer.....
52411	-----	Feed Regulator 52408 with 52073.....
52426	22977	Presser Foot Plate for 52427.....
52427	22977	Presser Foot (spring, hinged) complete for 96-81 Machine, Nos. 26231,52390, 52426 and 62527.....
52437	22978	Presser Foot Plate for 52439.....
52438	22978	" " Shank for 52439.....
52439	22978	Presser Foot (spring, hinged) complete for 96-84 Machine, Nos. 7298,26231, 52437 and 52438.....
52445	22976	Tension Releasing Lever for 96-84 Machine.....
52448	22978	Needle Bar Bushing (upper) for 96-84 Machine.....
52451	-----	Feed Forked Connection 52407 with 375C, 1518J and 52165.....
52452	22979	Feed Bar.....
52454	22976	Thread Retainer.....
54897	22249	Arm Shaft (horizontal) Back Bearing Oil Cup.....
56015	22249	Arm Oil Tube for oiling 142006, for 127275.....
56032	22250	Feed Regulating Stud Head with 56033....
56033	22250	" " " " Stop Pin for 56032.....
56034	22250	Feed Regulating Stud Lock Pin.....
56035	22250	" " " " Spring....
56813	-----	" Bar Screw Center 313C with 1519J...
56848	-----	Bell Crank 5596 with 5599 and 5601, for 5598.....
56864	22909	Chain Hook (large) for 5670.....
56865	22909	" " (small) for 5670.....
60456	-----	Bobbin Winder, Nos. 152F, 207D, 1429D, 1550H, 41339 to 41346 and three 1430D, for 41347.....
60845	22247	Bobbin Winder, Nos. 7958, 34105, 41583, 41585 to 41588,41913,41914 and 42614, for 41915.....
62527	22977	Presser Foot Hinge Pin for 52427.....
62867	22980	Roller Presser (ball bearing) 7/8 in. diam., 9/64 in. face, (fine) complete for 96-84 Machine, Nos. 176J, 440F,1547J,1549J,2205,2206,51903, 62897 and two 15444.....
62897	22980	Roller Arm for 62867.....

No.	Plate	Name
68350	22249	Arm Shaft (horizontal) Front Bearing Oil Cup.....
120342	22906	Oiler (copper plated) with 120343 (Accessories).....
120343	22906	Oiler Spout, 3 1/2 in. long, for 120342.
120496	22980	Finger Guard for 120498.....
120497	22980	" " Holder with 50302J, for 120498.....
120498	22980	Finger Guard complete, Nos. 236J, 120496 and 120497.....
120857	22980	Finger Guard for 120860.....
120858	22980	" " Holder with 50302J, for 120860
120860	22980	Finger Guard complete, Nos.120857,120858 and two 236J.....
121446	22976	Feed Dog, 13 spiked teeth (10 teeth to the inch) for 127306 and 127307.....
121587	22981	Grease Gun (3 oz. capacity) for Fitting No. 142005 (Accessories).....
121588	22981	Grease Gun (1/2 lb.capacity) for Fitting No. 142005 (Accessories).....
125320	22977	Rotating Hook Bobbin Case Latch Lever for 40393.....
127072	22250	Arm Shaft (horizontal) Bevel Gear with two 1036C.....
127073	22979	Rotating Hook Shaft Bevel Gear with two 1259C.....
127079	22249	Arm Side Cover.....
127088	22977	Needle Bar (hollow) for 127116.....
127091	22249	Oil Tube Bracket for 127092.....
127092	22249	" " " 127091 with 127191, for oiling 52165.....
127095	22977	Rotating Hook with three 1253C, for 127096.....
127096	22977	Rotating Hook 127095 with 127102 and four 1053E, for 127097 and 127239...
127097	-----	Rotating Hook 127096 with 40274 and three 1367E (For agents only)....
127102	22977	Rotating Hook Thread Guard for 127096...
127108	22977	Presser Bar Spring.....
127116	-----	Needle Bar 127088 with 229J, 52306 and 52307, for 96-81 Machine.....
127146	22979	Arm Side Cap for 96-81 Machine.....
127152	22250	Feed and Feed Lifting Eccentric Sleeve for 127248.....
127156	22250	Feed Lifting Rock Shaft Connecting Rod with two 966E.....
127187	22249	Arm Oil Tube (bent) with 42367, for oiling 127152, for 127193 and 150460
127191	22249	Oil Tube with 52184, for 127092.....
127192	22249	Arm Top Cover for 127193.....

NUMERICAL LIST OF PARTS

No.	Plate	Name
127193	-----	Arm Top Cover 127192 with 52183, 52239, 127187 and 127255.....
127230	22977	Needle Bar Bushing (lower) for 96-81 Machine.....
127231	22977	Needle Bar Connecting Link with 52207, for 127232.....
127232	-----	Needle Bar Connecting Link 127231 with 24041, for 52270 and 127237.....
127235	-----	Thread Take-up complete for 96-84 Machine, Nos. 11204, 52025 and 127237.
127236	22978	Thread Take-up Crank for 127237.....
127237	-----	" " " 127236 with 775E and 127232, for 127235.....
*127239	-----	Rotating Hook 127096 with 40274, 127242 and three 1367E, for 127240.....
127240	22977	Rotating Hook 127239 with 52237.....
127241	-----	" " Bobbin Case 52237 with 127242.....
127242	22977	Rotating Hook Bobbin Case Holder for 127239 and 127241.....
127245	22978	Needle Bar Thread Guard for 127283.....
127246	22978	" Clamp with 140119F, for 127283..
127247	22250	Feed and Feed Lifting Eccentric with 446C, 1299C, 52210 and 52211, for 127248.....
127248	-----	Feed and Feed Lifting Eccentric 127247 with 127152.....
127253	22250	Needle Bar Crank with 1036C, 1037C and 1065C, for 127266.....
127255	22249	Arm Top Cover Positioning Disc for 127193.....
127255	22247	Bobbin Winder Tension Bracket Positioning Disc for 150460.....
127261	22250	Balance Wheel (power, disc) 2 3/16 in. pulley with two 448C, for 96-84 Machine.....
127265	22250	Arm Shaft (horizontal) for 127266.....
127266	-----	" " " 127265 with 52196 and 127253.....
127269	-----	Feed Lifting Rock Shaft complete for 96-81 Machine, Nos. 52265 and 52384.
*127270	-----	Bed.....
127271	22980	Roller Presser (ball bearing) 5/8 in. diam., 3/16 in. face, (coarse) complete for 96-84 Machine, Nos. 176J, 440F, 1547J, 1549J, 2205, 2206, 51928, 127273 and two 15444.....
127272	22980	Roller Presser (ball bearing) 1 1/4 in. diam., 11/64 in. face, (coarse) complete for 96-84 Machine, Nos. 176J, 440F, 1547J, 1549J, 2205, 46037, 51927, 127274 and two 15444.....

NUMERICAL LIST OF PARTS

No.	Plate	Name
127273	22980	Roller Arm for 127271.....
127274	22980	" " " 127272.....
*127275	-----	Arm with 15404 and two each 15405 and 56015.....
127282	22978	Needle Bar (hollow) for 127283.....
127283	-----	" " 127282 with 51229D, 127245 and 127246, for 96-84 Machine.....
127286	-----	Feed Lifting Rock Shaft complete for 96-84 Machine, Nos. 52384 and 127288
127288	22979	Feed Lifting Rock Shaft Crank with 157J and 52267, for 127286.....
127292	22979	Rotating Hook Shaft.....
127305	22978	Needle Bar Bushing (lower) for 96-84 Machine.....
127306	22976	Throat Plate, large needle hole, for 121446.....
127307	-----	Throat Plate, small needle hole, for 121446.....
140119F	22978	Needle Clamp Screw for 127246.....
140184E	22250	Arm Shaft (horizontal) Bevel Gear Case Plug Screw for 142003.....
140184E	22979	Rotating Hook Shaft Bevel Gear Case Plug Screw for 142004.....
140219C	22909	Rock Shaft Stop Dog Set Screw for 2770..
142003	22250	Arm Shaft (horizontal) Bevel Gear Case (two pieces) with 51068R, 140184E and 142005.....
142004	22979	Rotating Hook Shaft Bevel Gear Case (two pieces) with 51068R, 140184E and 142005.....
142005	22250	Arm Shaft (horizontal) Bevel Gear Case Alemite Fitting for 142003.....
142005	22979	Rotating Hook Shaft Bevel Gear Case Alemite Fitting for 142004.....
142006	22250	Arm Shaft (upright).....
142008	22979	Rotating Hook Shaft Bushing (front) Oil Cup.....
150203	22248	Thread Unwinder Spool Rest Cushion (felt) for 225258.....
150459	22247	Bobbin Winder Tension Bracket with 460C, for 150460.....
150460	22247	Bobbin Winder Tension Bracket complete for 150461, Nos. 41593 to 41595, 52183, 52239, 127187, 127255, 150459 and two 2455.....
150461	22247	Bobbin Winder (swinging automatic, left hand) complete, Nos. 41915 and 150460.....
200056E	22908	Bobbin Winder Stop Latch Screw for 225382.....

NUMERICAL LIST OF PARTS

No.	Plate	Name
200082D	22908	Bobbin Winder Tension Bracket Screw for 225382.....
200299H	22908	Bobbin Winder Stop Latch Trip Lever Hinge Screw for 225382.....
200380C	22908	Bobbin Winder Pulley Set Screw for 202473.....
200383C	22248	Thread Unwinder Spool Rest Rod Set Screw for 202490.....
201018C	22248	Thread Unwinder Spool Rest Set Screw for 225257.....
201499B	22908	Bobbin Winder Tension Stud for 225461...
201572B	22908	" " " " Thumb Nut for 225462.....
201696J	22248	Thread Unwinder Thread Guide Lock Nut for 225258.....
201699F	22980	Roller Ball Retaining Nut for 51903 and 51928.....
202277	22908	Bobbin Winder Frame Oil Packing (wick) for 225453.....
202407	22908	Bobbin Winder Tension Spring for 225462.
202473	22908	" " Pulley with 200380C, for 225382.....
202478	22908	Bobbin Winder Stop Latch Trip Lever for 225382.....
202490	22248	Thread Unwinder Spool Stand with 200383C, for 225258.....
206417	22980	Roller Ball, 1/16 in. diam., for 51903 and 51928.....
225257	22248	Thread Unwinder Spool Rest with 201018C, for 225258.....
225258	22248	Thread Unwinder complete for two spools or two large cones of thread, Nos. 201696J, 202490, 225257, 225324, 225326, 225388, two each 150203, 225391 and three wood screws 7/8 in. No. 12....
225322	22248	Thread Unwinder Thread Guide Rod Screw Washer for 225324.....
225324	22248	Thread Unwinder Thread Guide Rod with 208E and 225322, for 225258.....
225326	22248	Thread Unwinder Thread Guide Position Cup for 225258.....
225381	22908	Bobbin Winder Spindle for 225382.....
225382	22908	Bobbin Winder (swinging automatic, right hand) complete for power table, Nos. 200056E, 200082D, 200299H, 202473, 202478, 225381, 225433, 225444, 225453 to 225456, 225458, 225462, 228026, two each 225459 and wood screws 3/4 in. No. 12 R.H.B.....
225388	22248	Thread Unwinder Spool Rest Rod for 225258.....

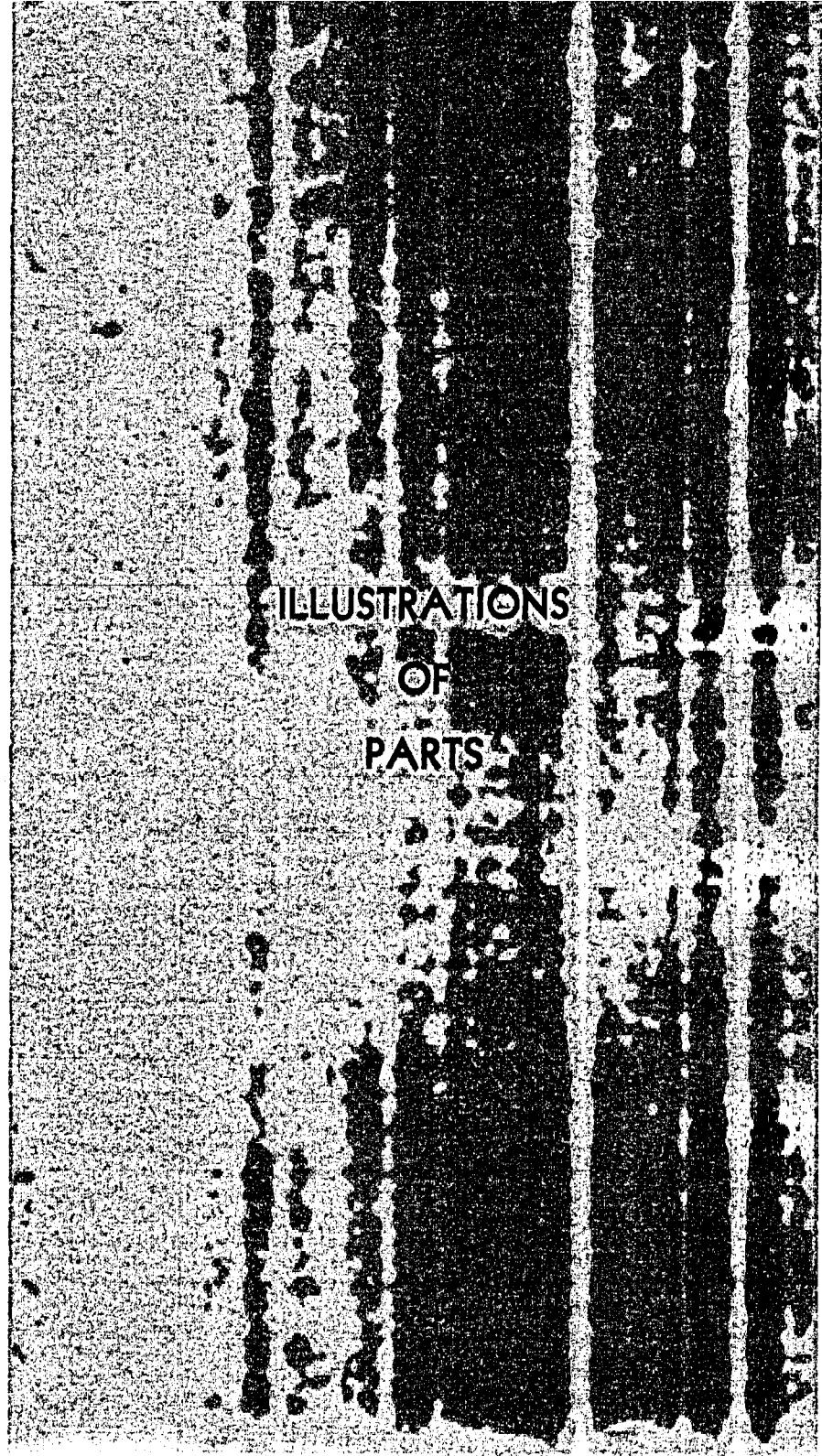
NUMERICAL LIST OF PARTS

No.	Plate	Name
225390	22248	Thread Unwinder Thread Cone Holder for inverted cones, for 225258.....
225391	22248	Thread Unwinder Thread Guide for 225258.
225433	22908	Bobbin Winder and Tension Bracket Base for 225382.....
225438	22908	Bobbin Winder Frame Oil Well Cap for 225453.....
225444	22908	Bobbin Winder Stop Latch for 225382.....
225453	22908	" " Frame with 202277 and 225438, for 225382.....
225454	22908	Bobbin Winder Frame Hinge Pin for 225382
225455	22908	" " " Spring for 225382...
225456	22908	" " " Plunger for 225382.....
225458	22908	Bobbin Winder Stop Latch Thumb Lever for 225382.....
225459	22908	Bobbin Winder Stop Latch Thumb Lever Hinge Stud for 225382.....
225459	22908	Bobbin Winder Stop Latch Thumb Lever Joint Stud for 225382.....
225461	22908	Bobbin Winder Tension Bracket with 201499B, for 225462.....
225462	22908	Bobbin Winder Tension Bracket complete for 225382, Nos. 201572B, 202407, 225461 and two 2102.....
228026	22908	Bobbin Winder Tension Bracket Screw Washer for 225382.....
350104F	22980	Roller Screw for 51903 and 51928.....

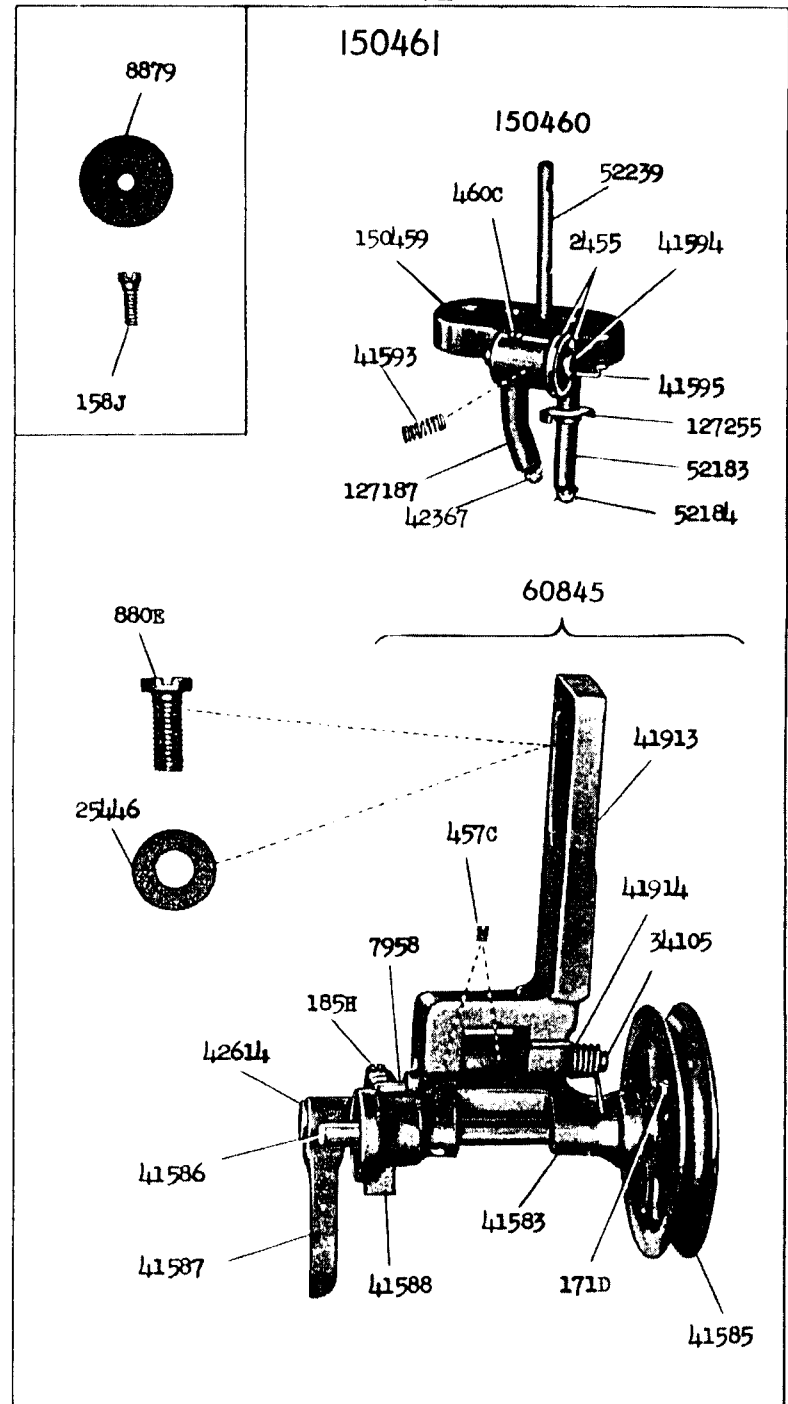
Genuine Singer Needles should be used
in Singer Machines.
These Needles and their Containers
are marked with the
Company's Trade Mark "SIMANCO." 1

Needles in Containers marked
"For Singer Machines"
are not Singer made needles. 2

ILLUSTRATIONS
OF
PARTS

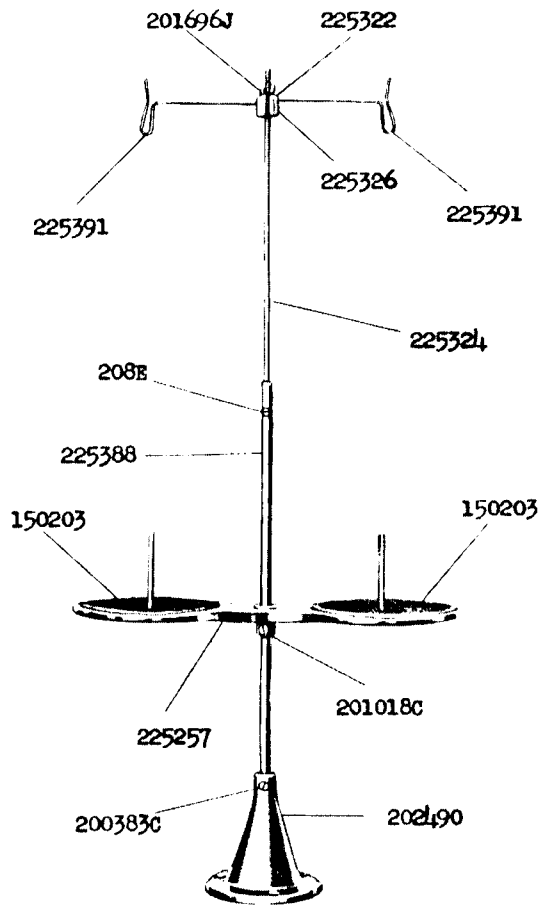


22247 - 1/2



22248 - 1/6

225258



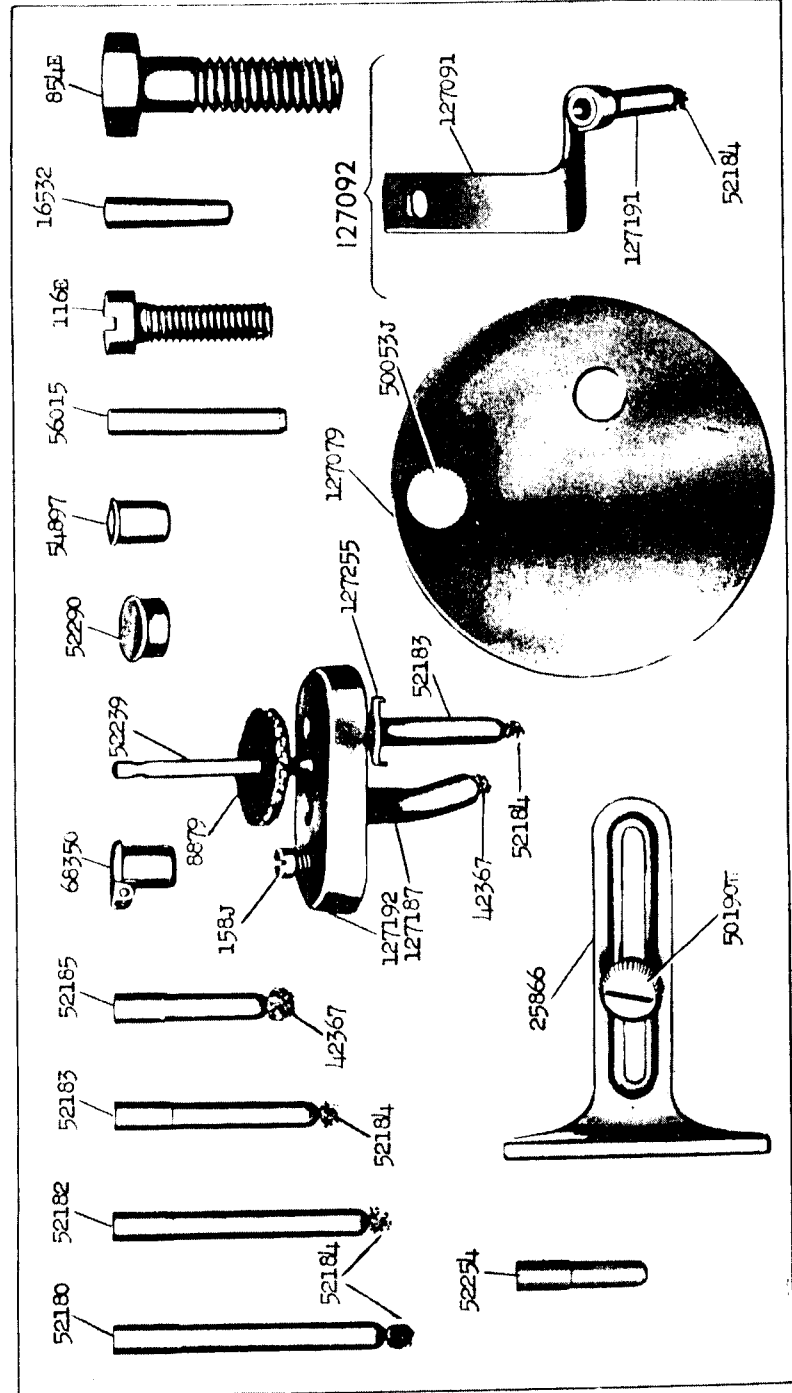
27139



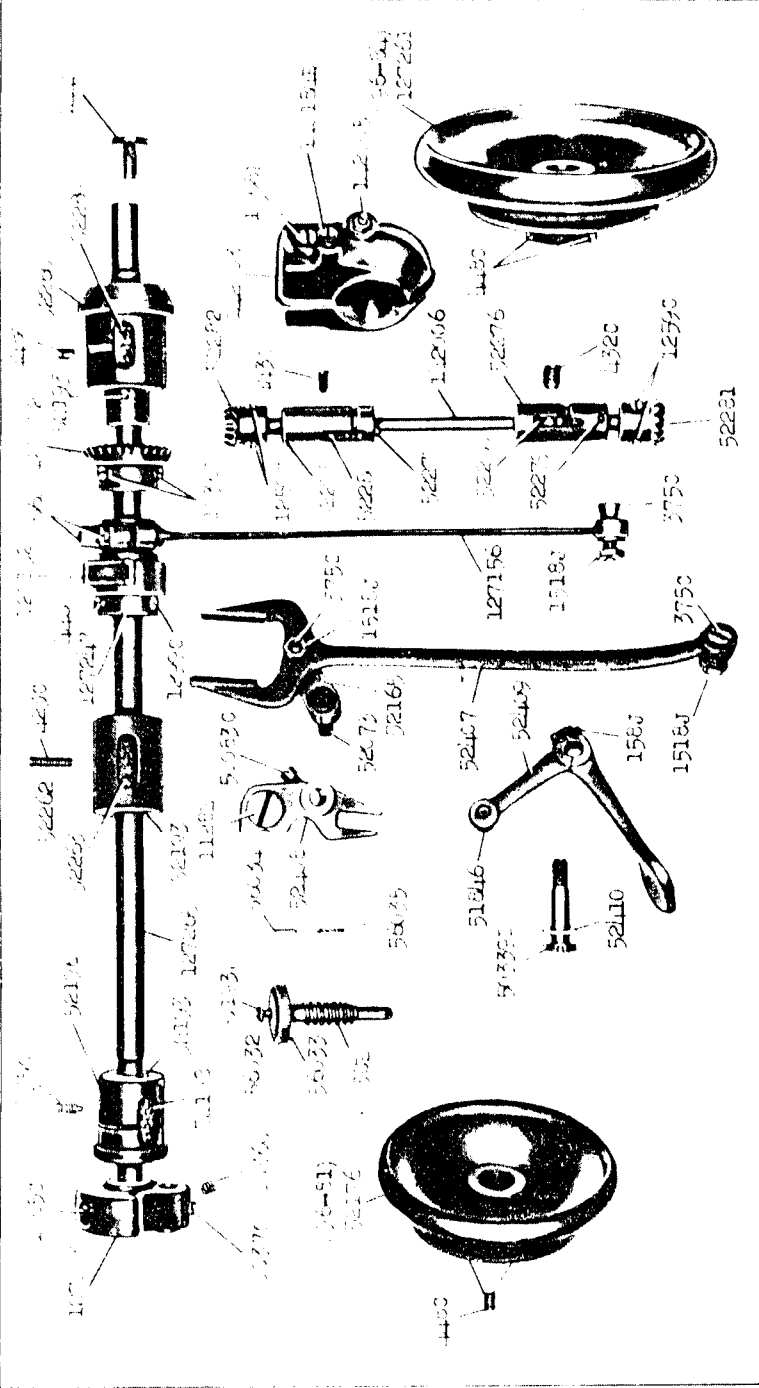
225390



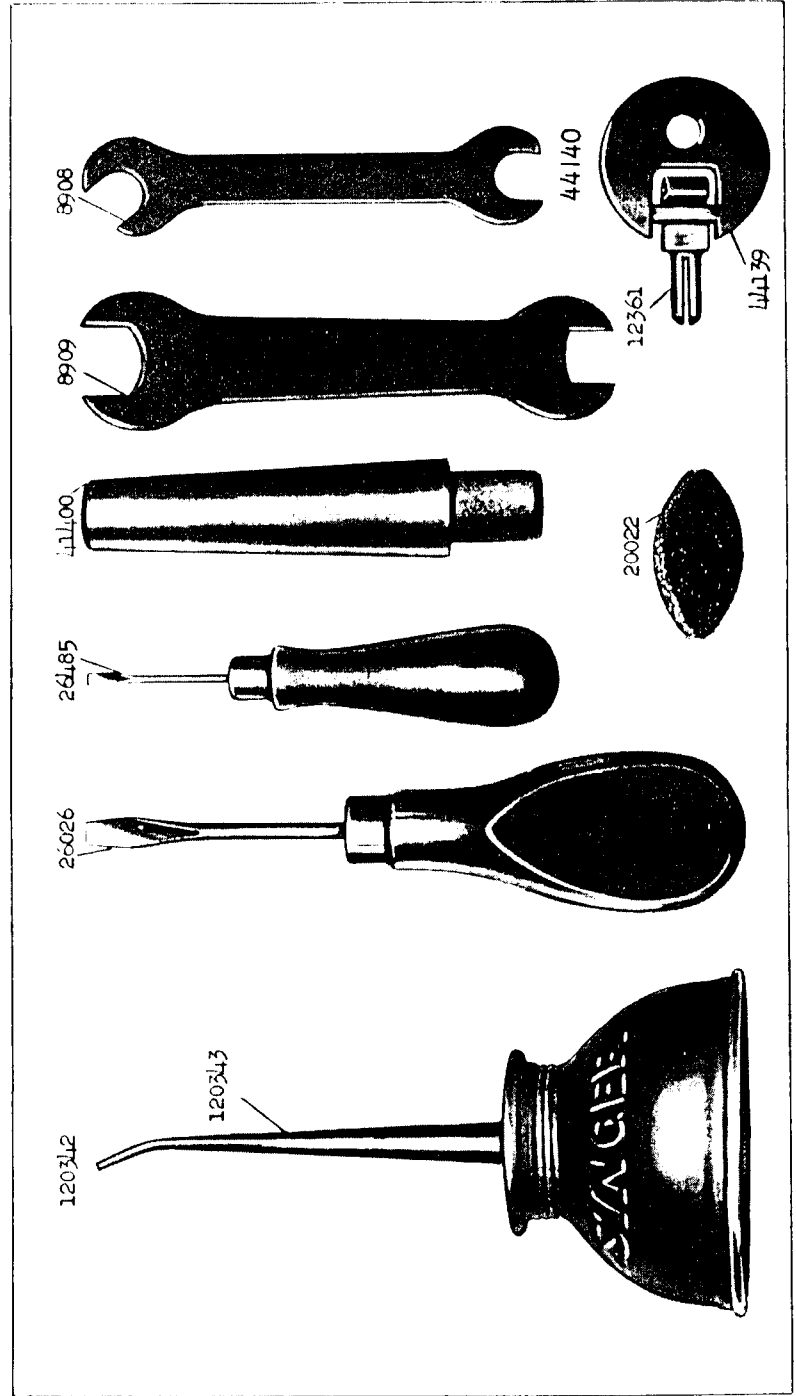
22249 - 2/3



22250 - 1/3

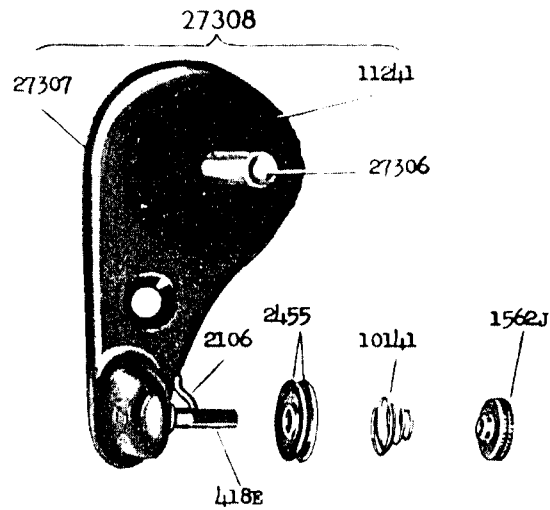


22906 - 1/2

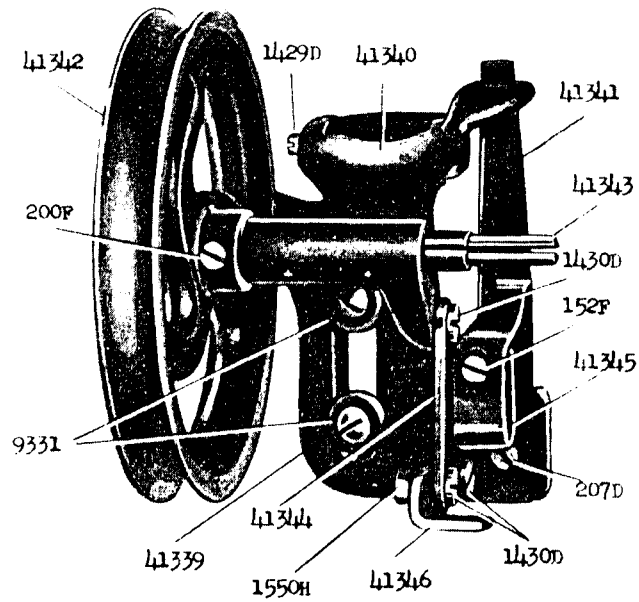


22907 - 2/3

41348

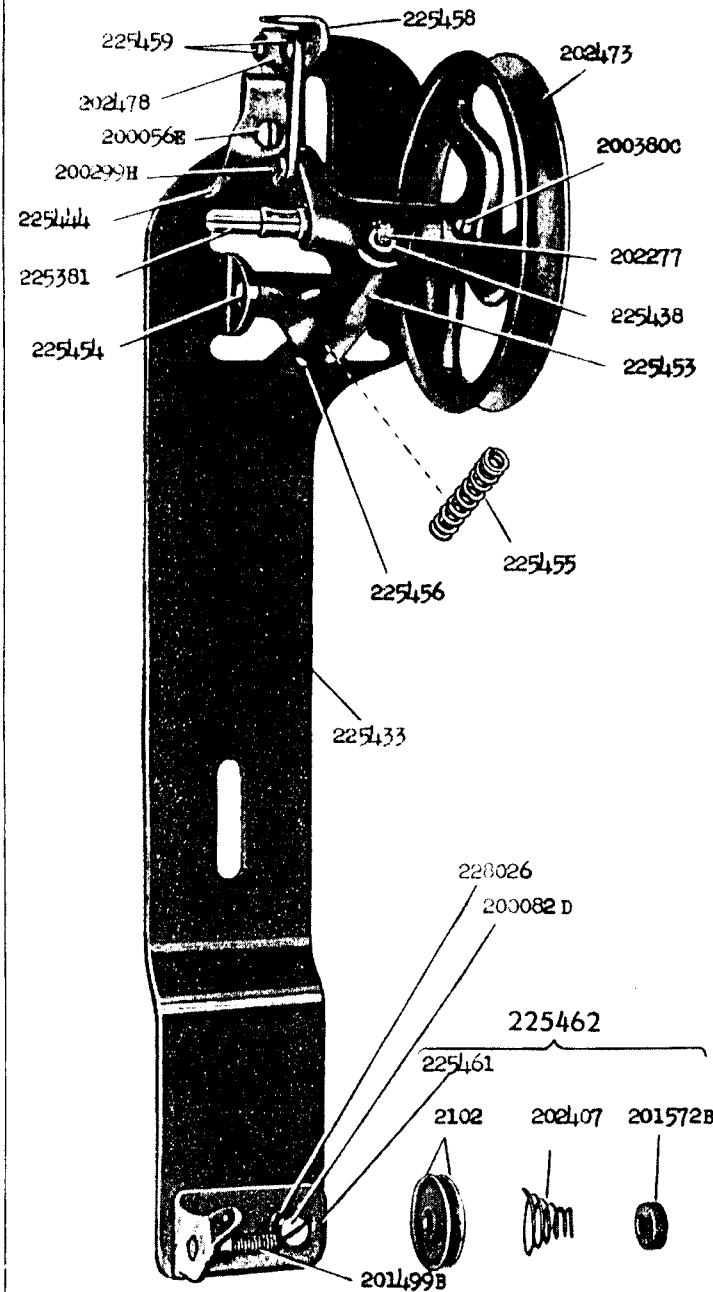


41347

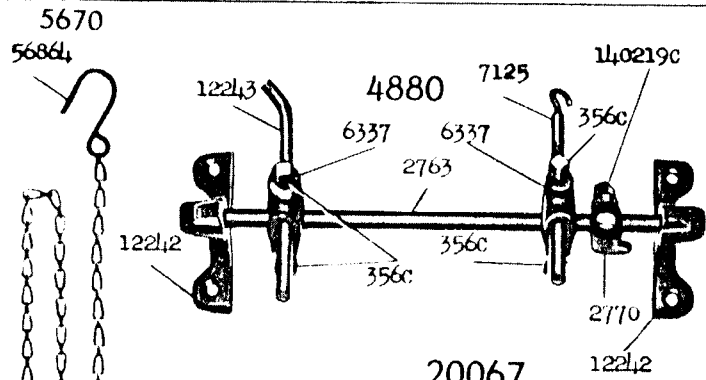


22908 - 2/3

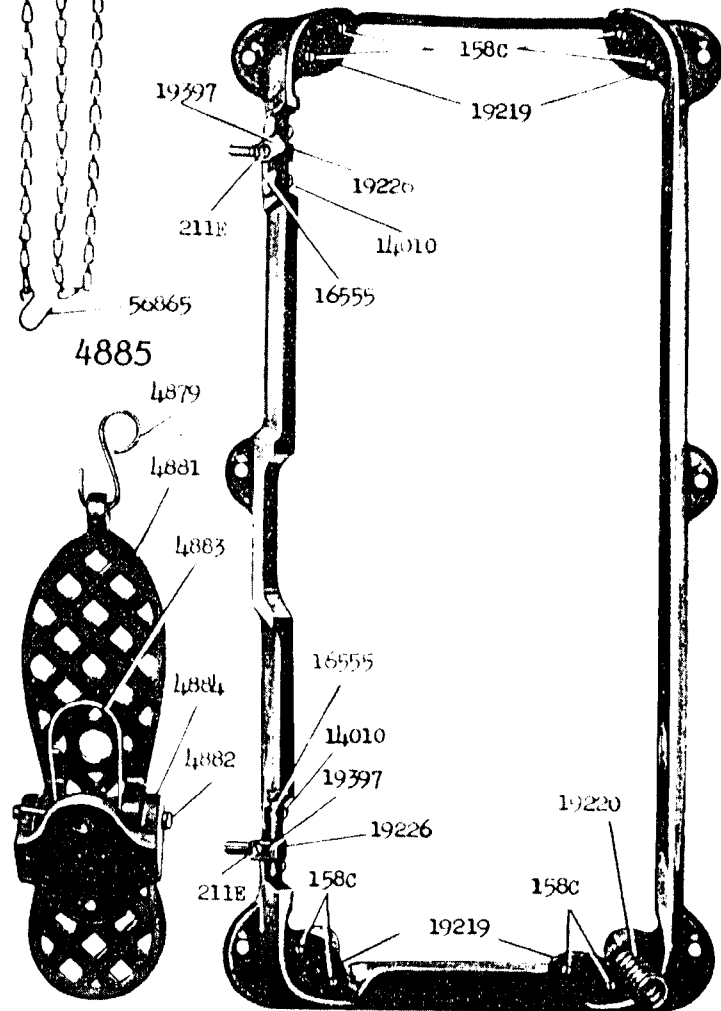
225382



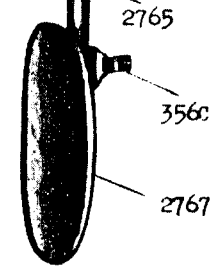
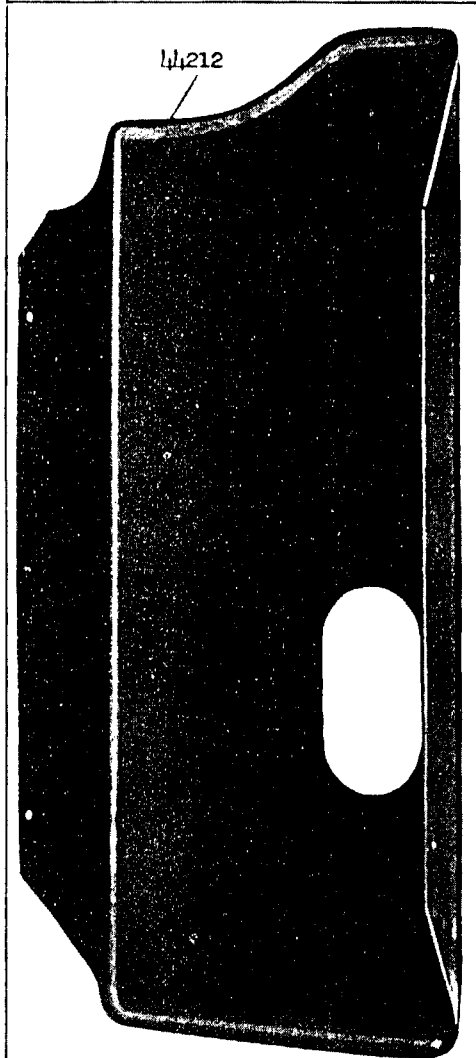
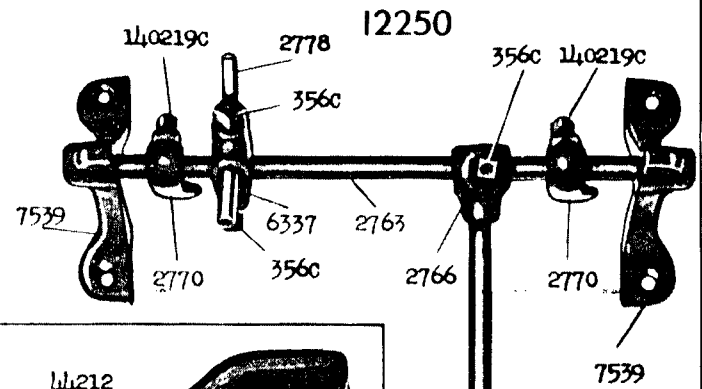
22909 - 1/4



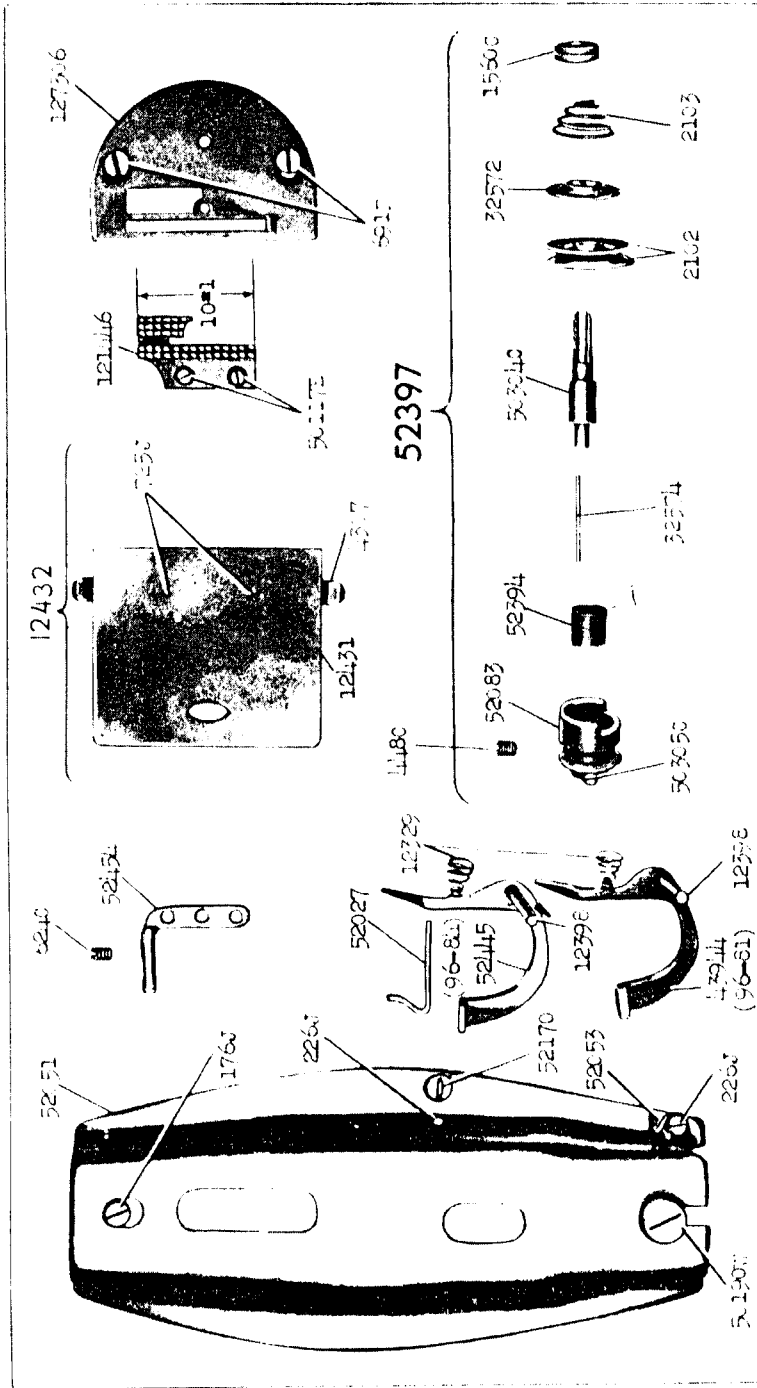
20067



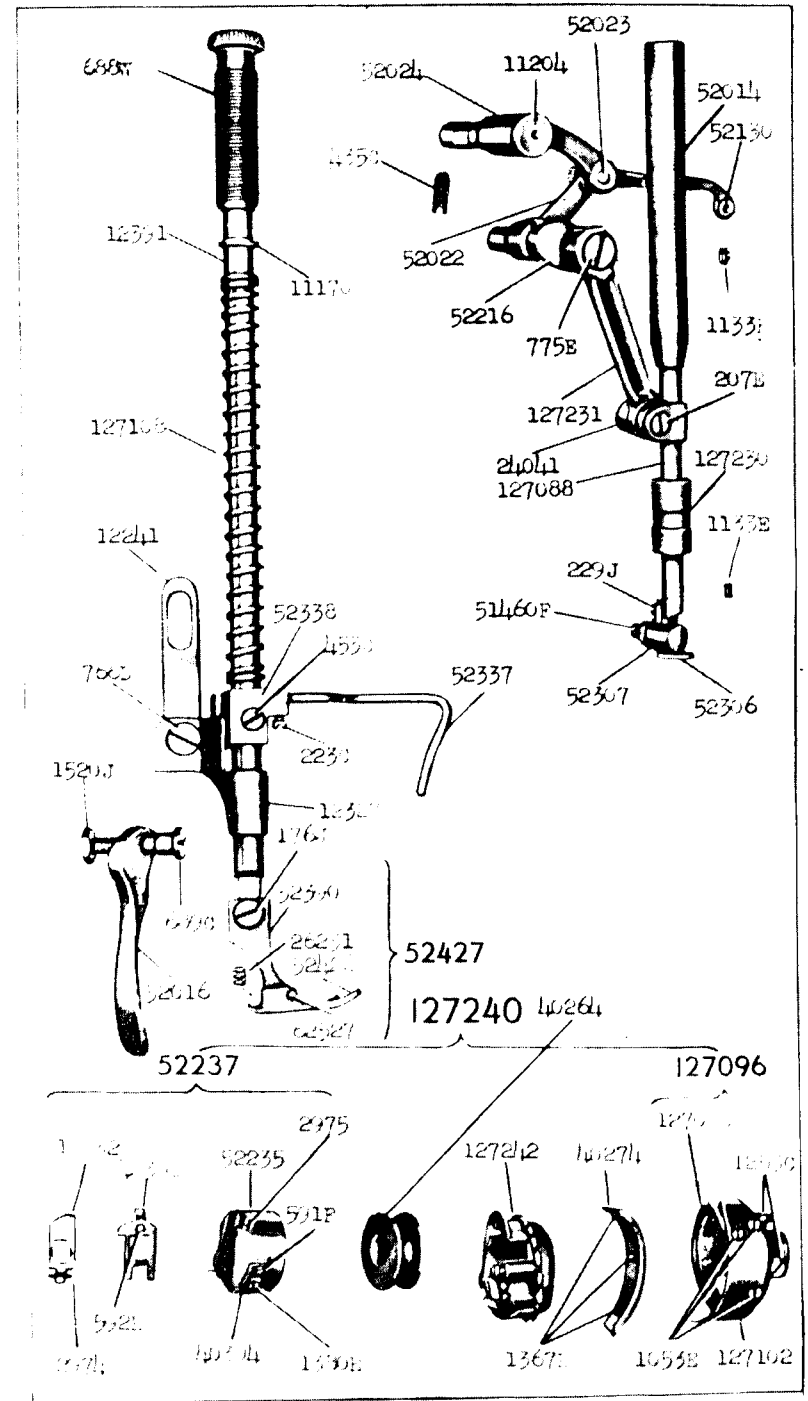
22910 - 1/4



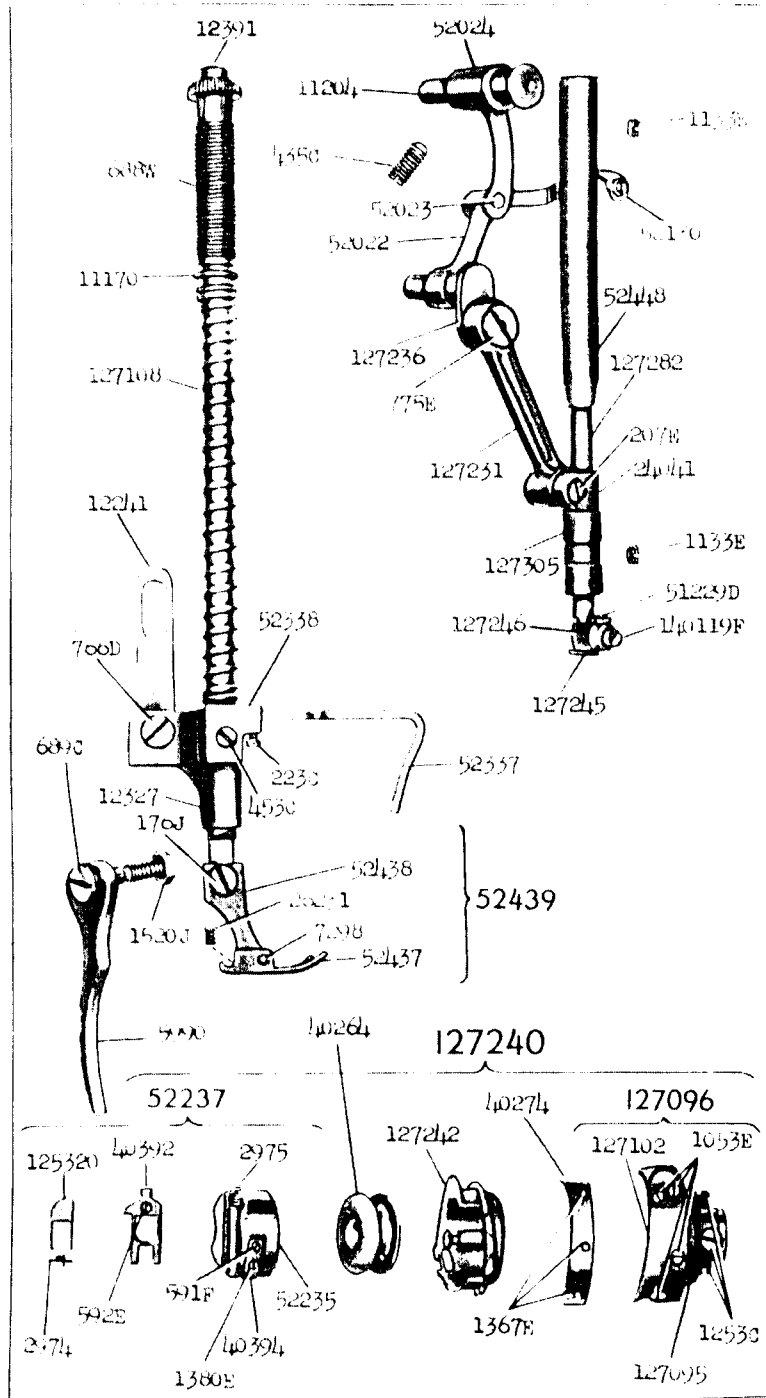
22976 - 1/2



22977 - 1/2



22978 - 1/2



22979 - 1/3

