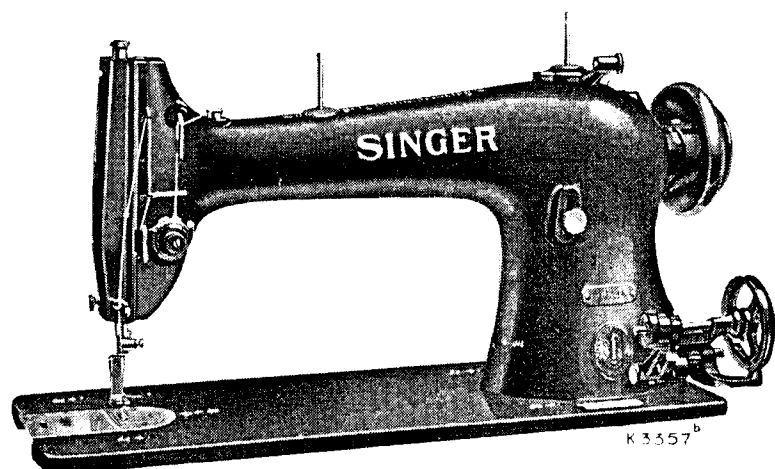


**SINGER**  
**96K40 to K45 and K60**

ILLUSTRATED  
LIST OF PARTS

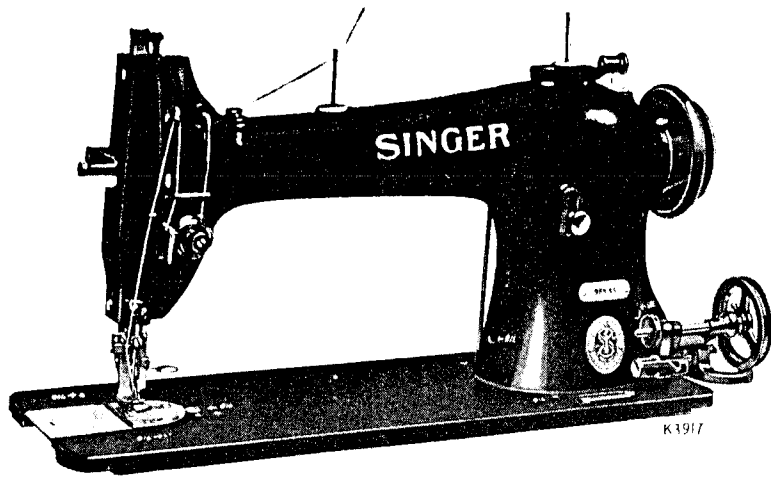
FOR

Nos. 96K40 to 96K45  
and 96K60 Machines

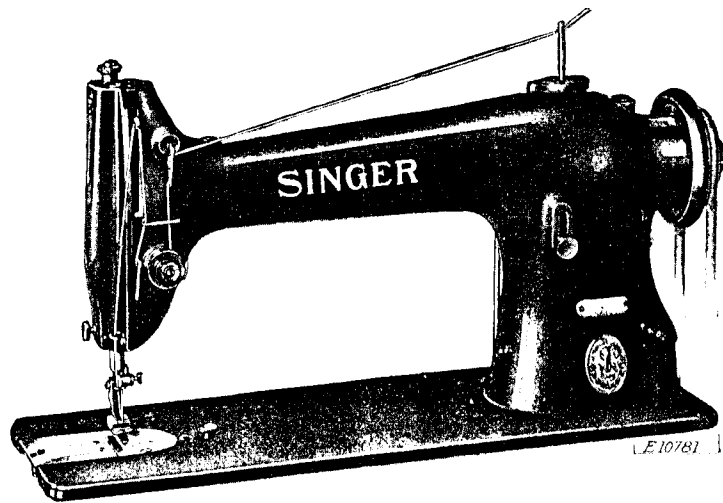


No. 96K40 Machine.

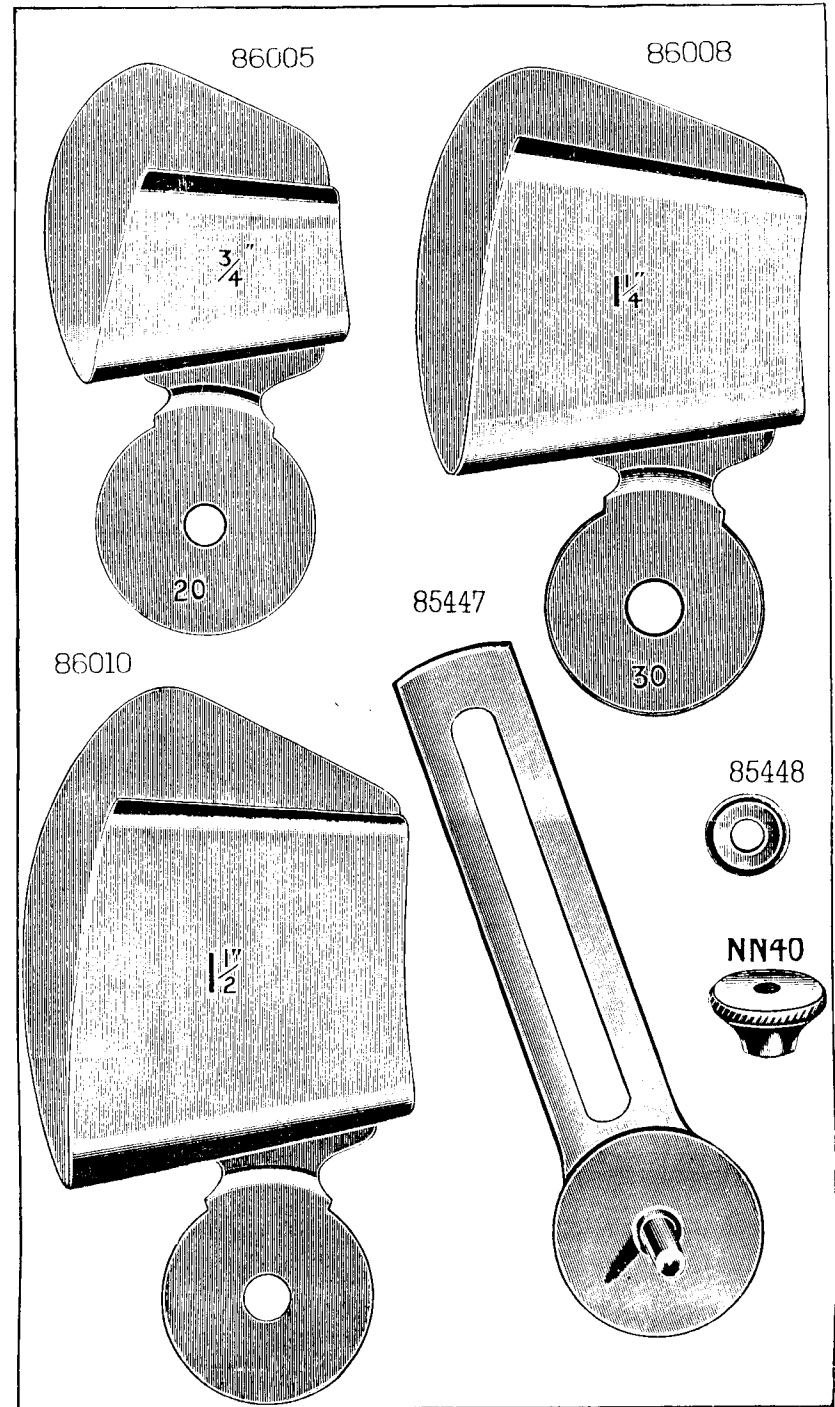
THE SINGER MANUFACTURING CO.

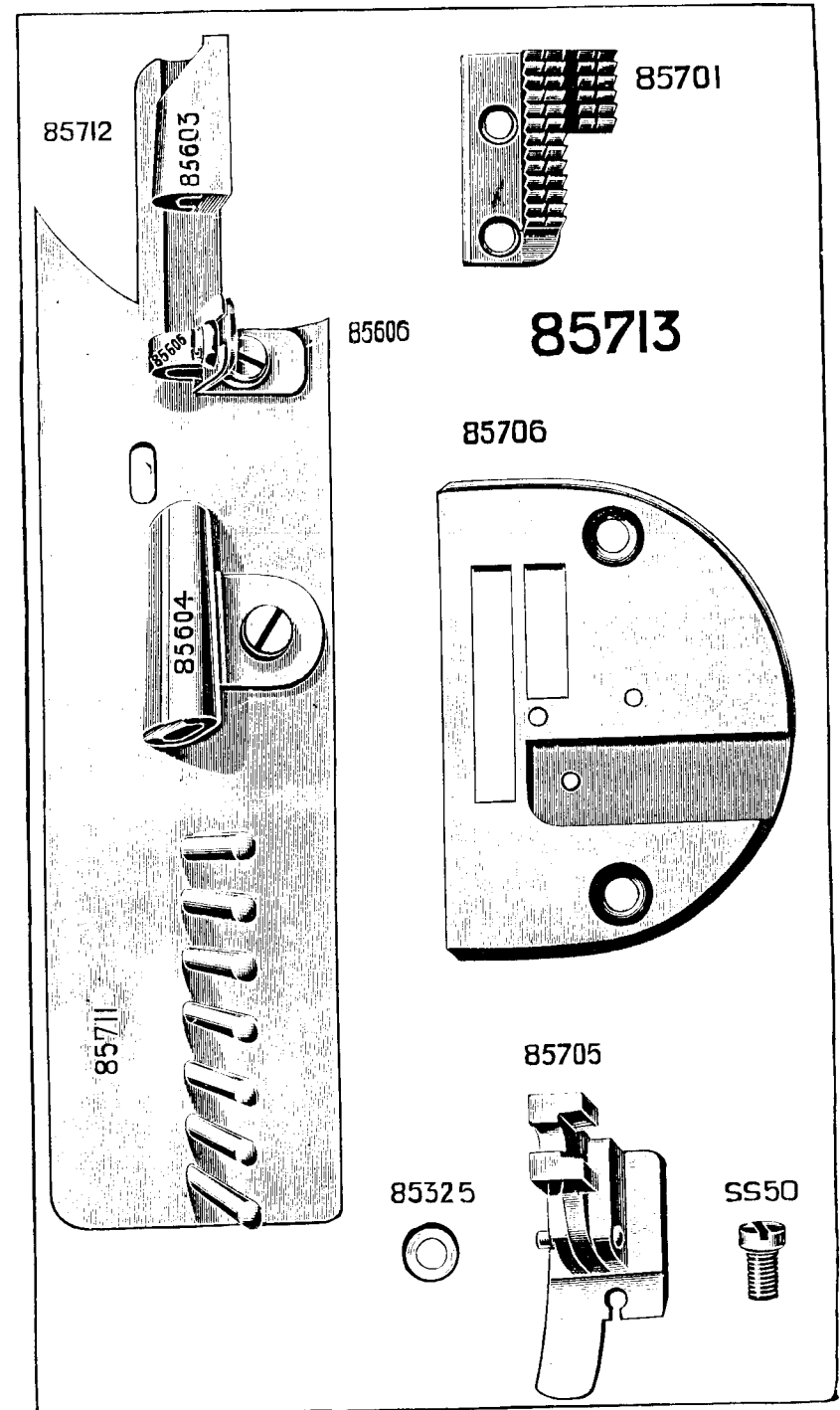
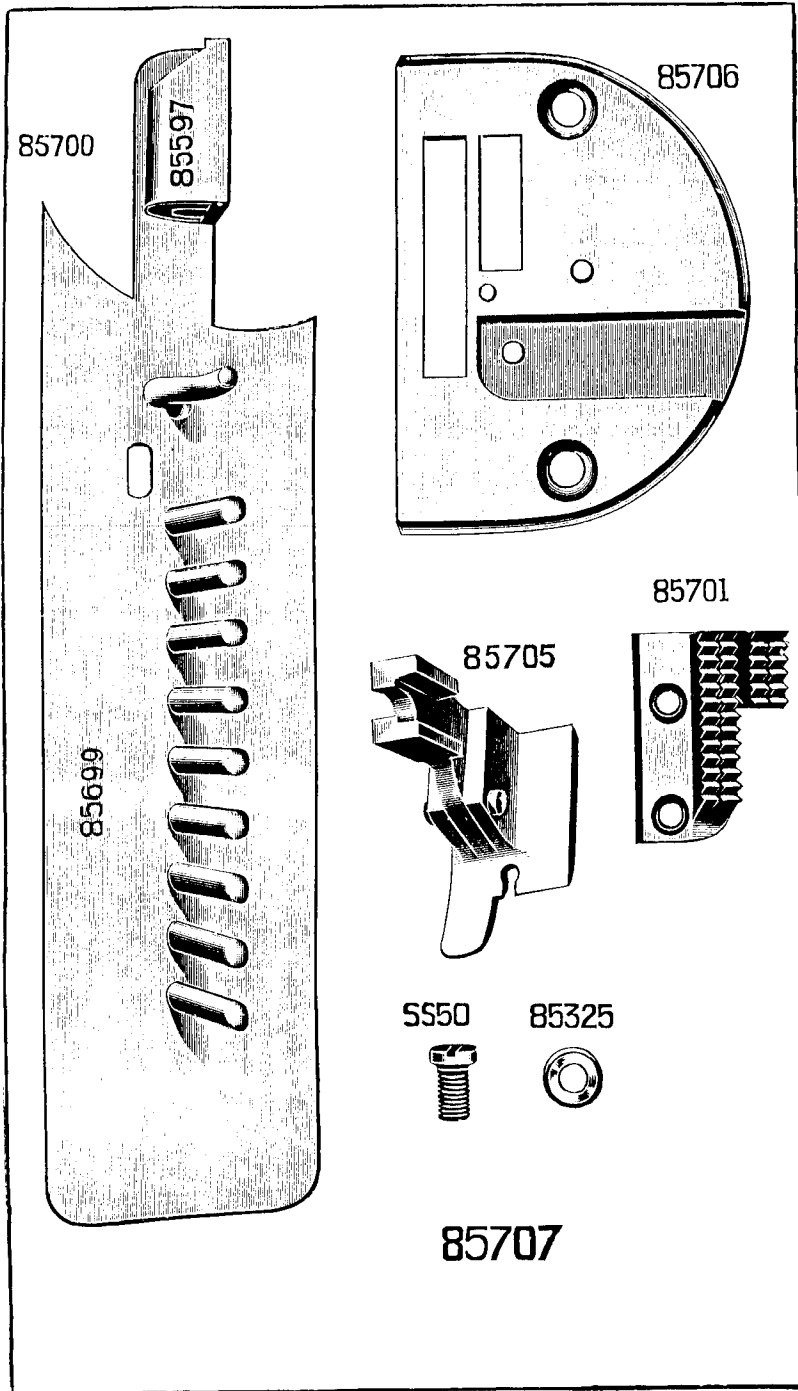


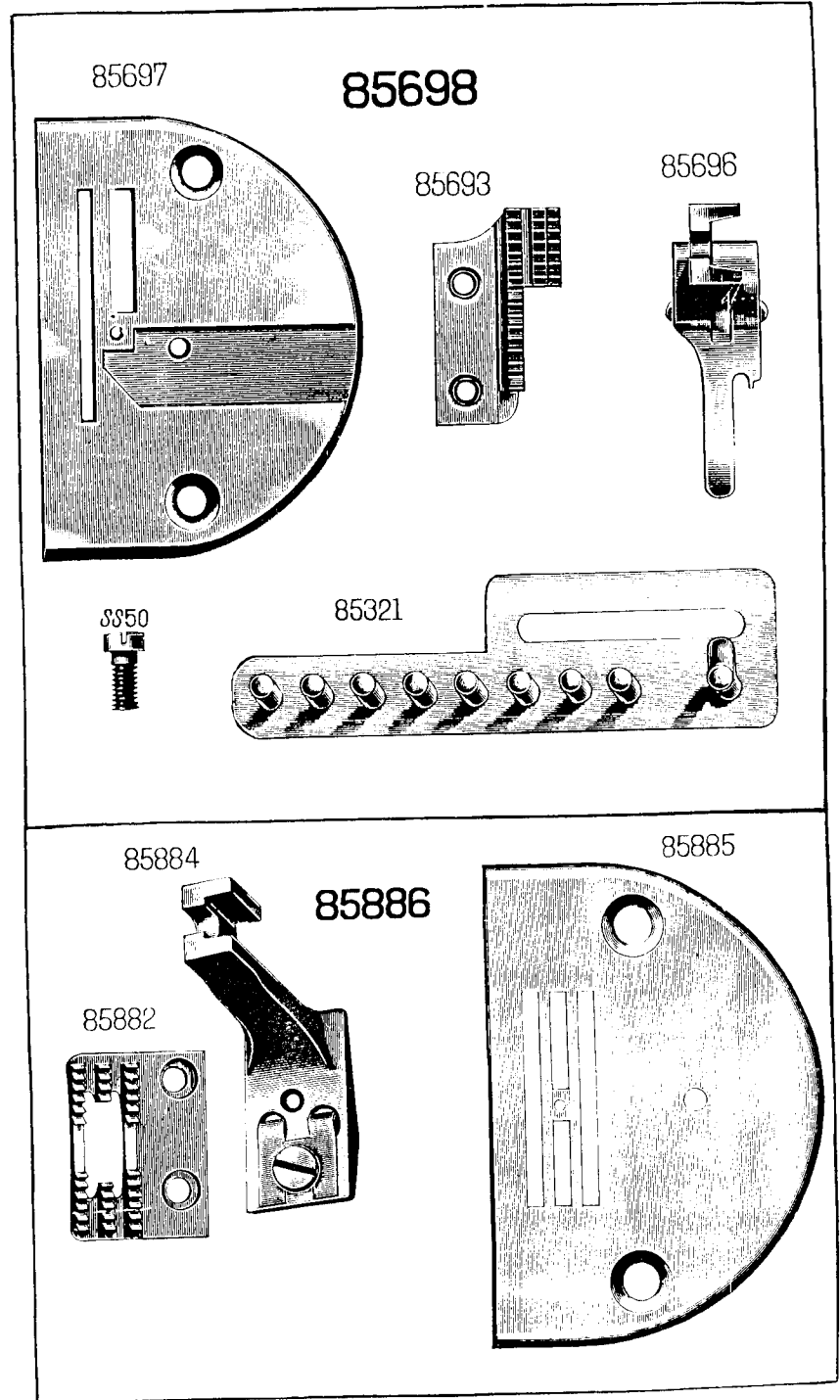
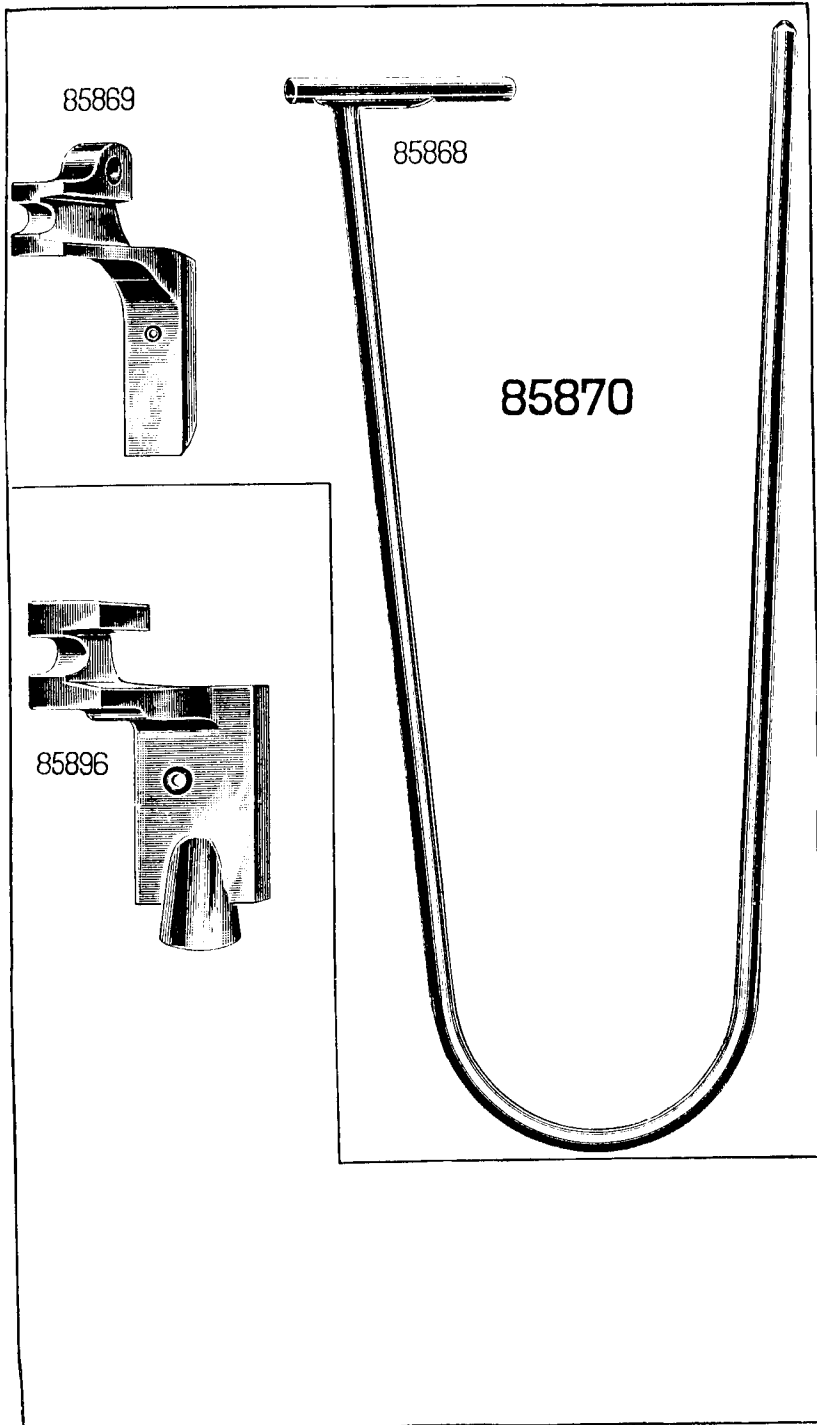
No. 96K45 Machine

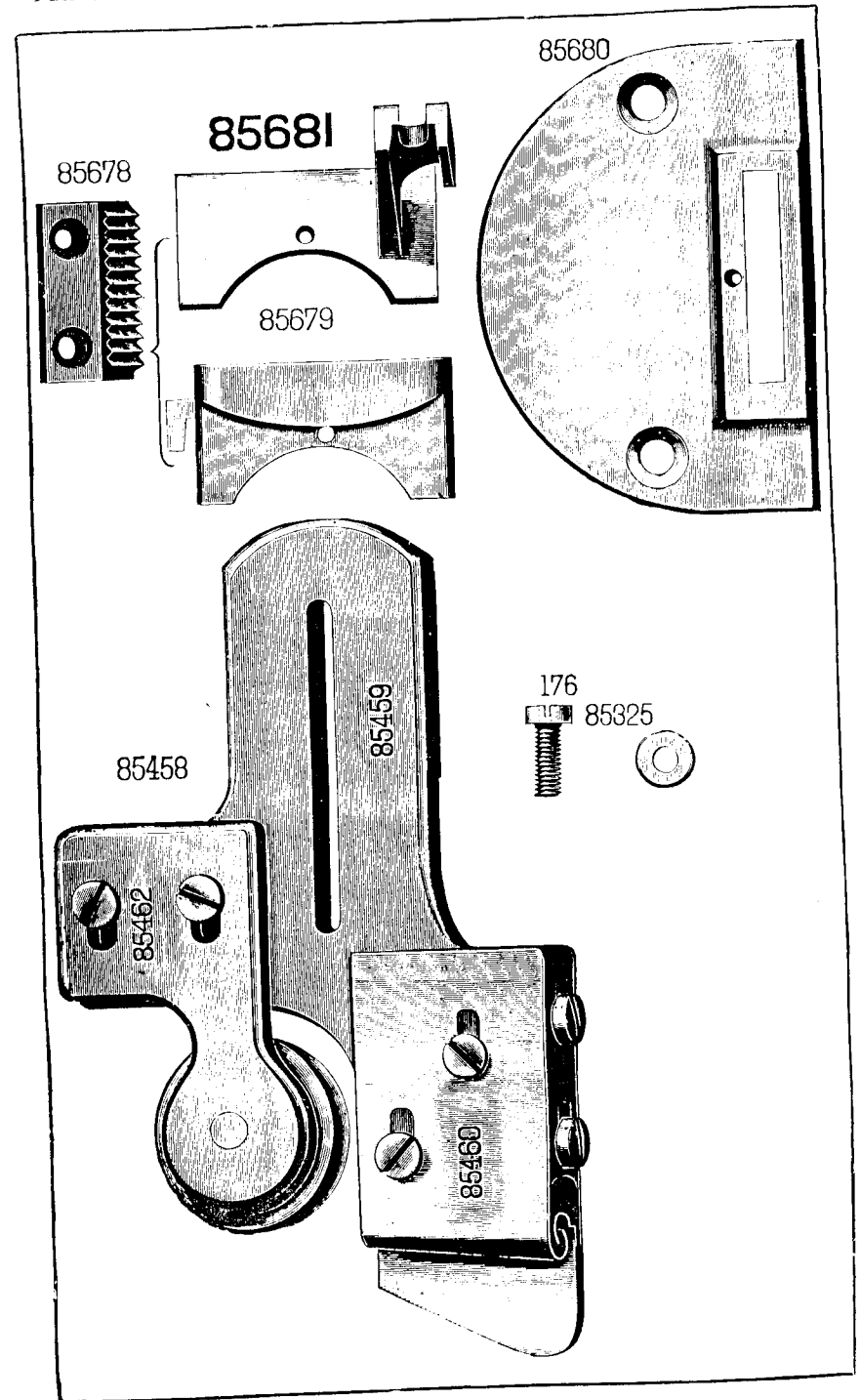
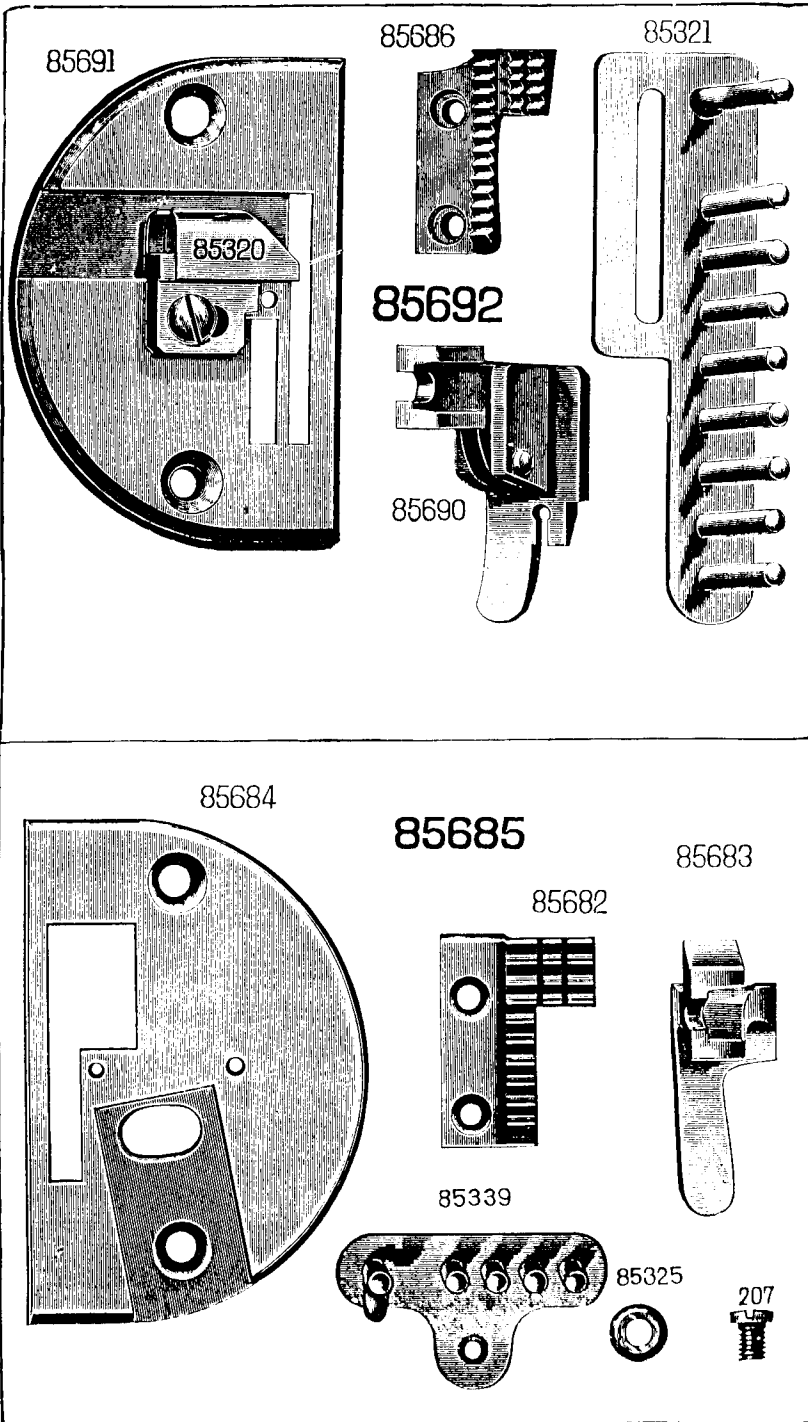


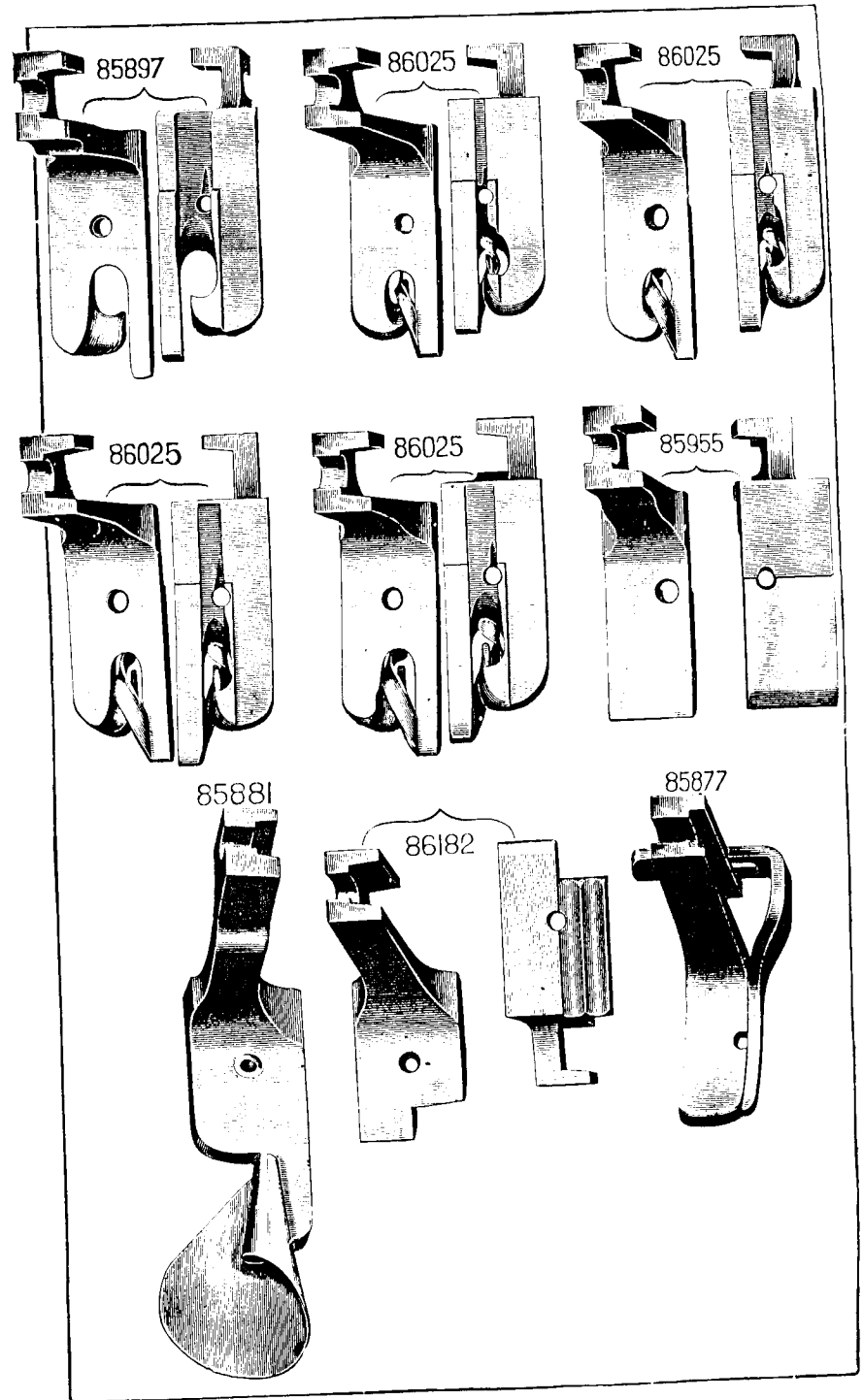
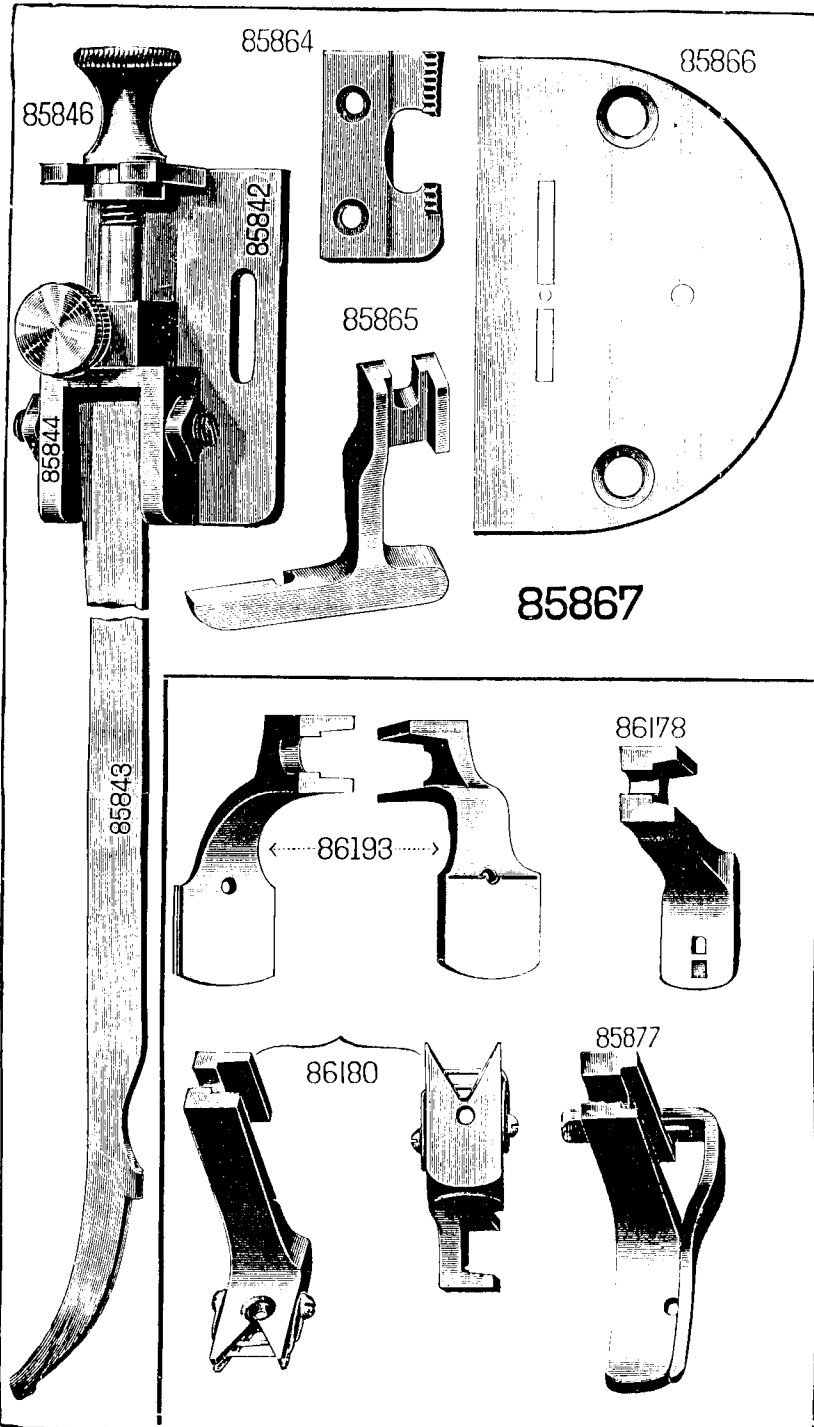
No. 96K60 Machine

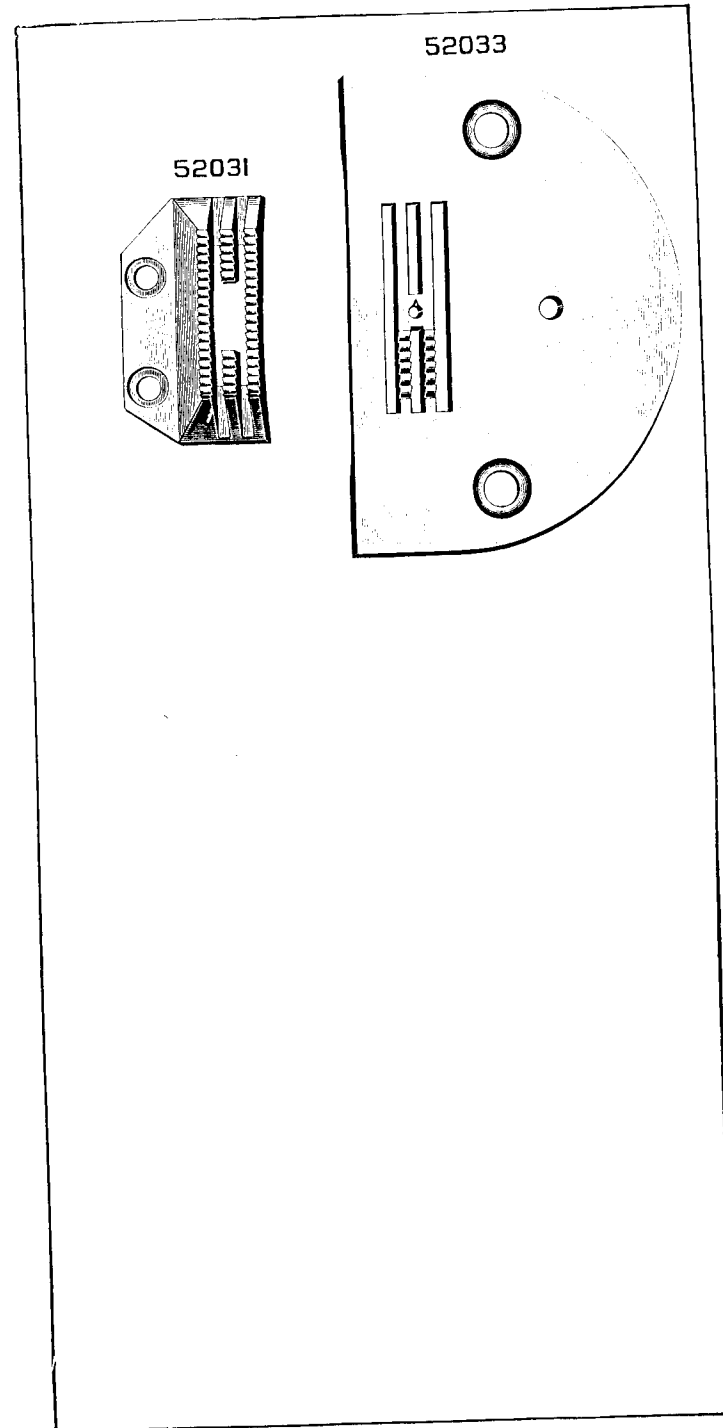
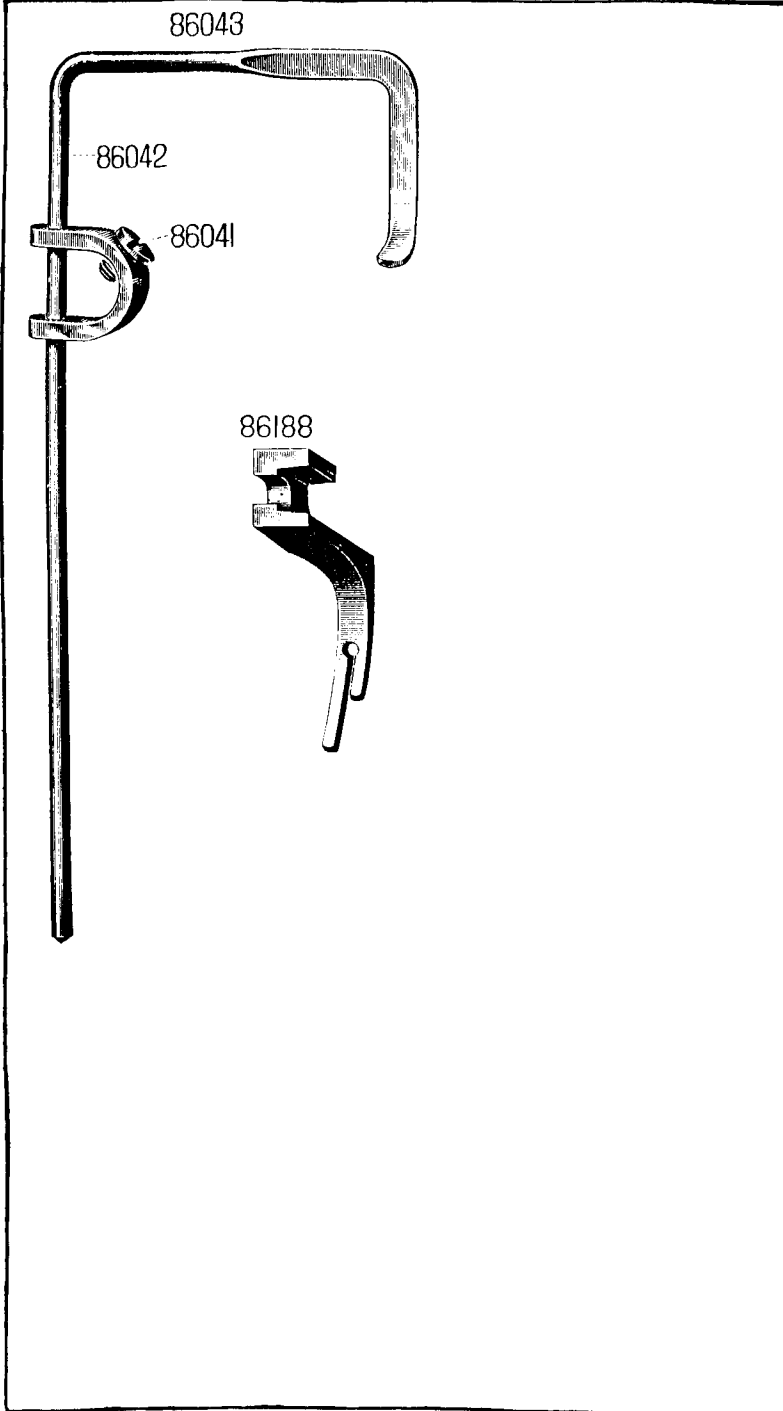




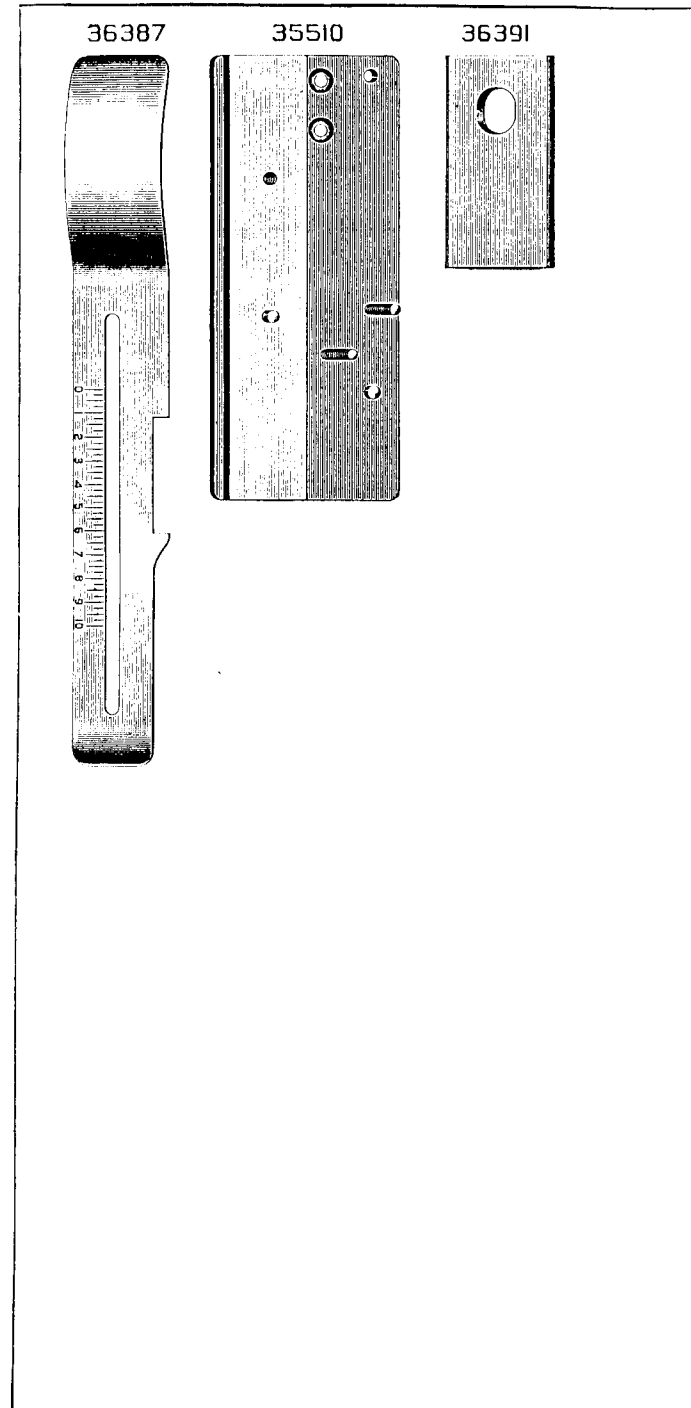
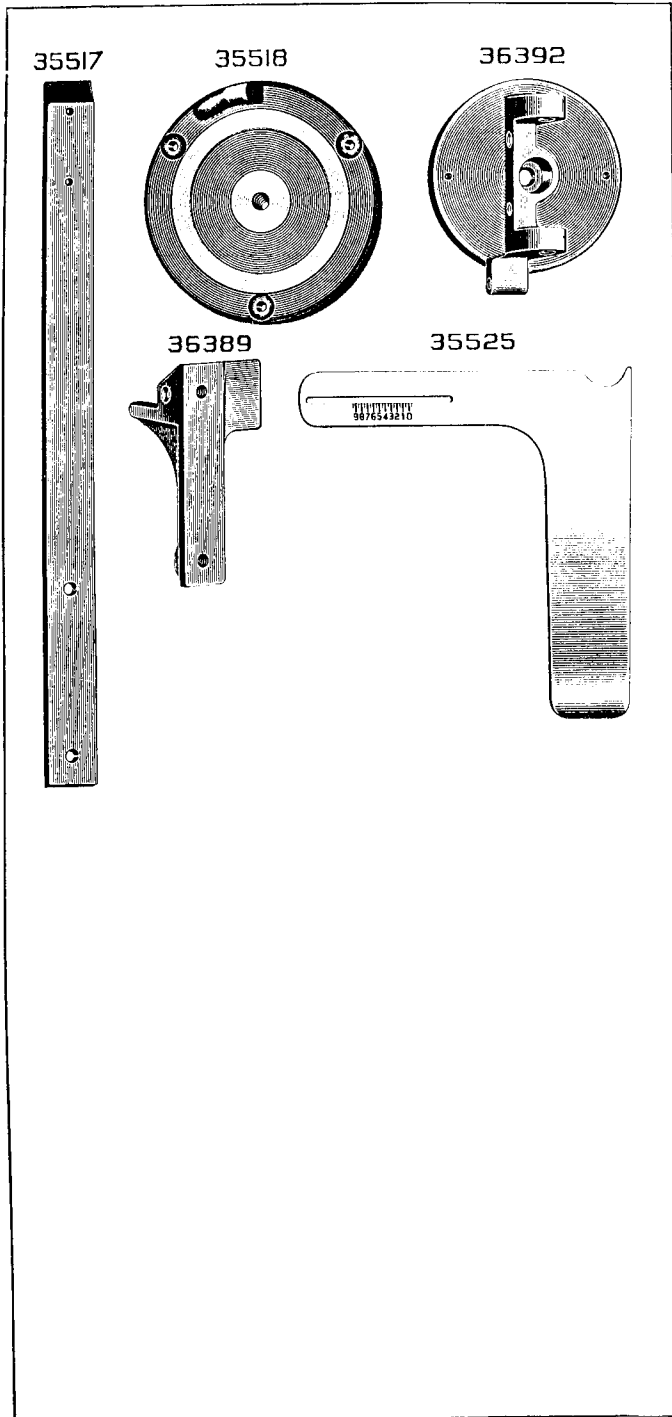


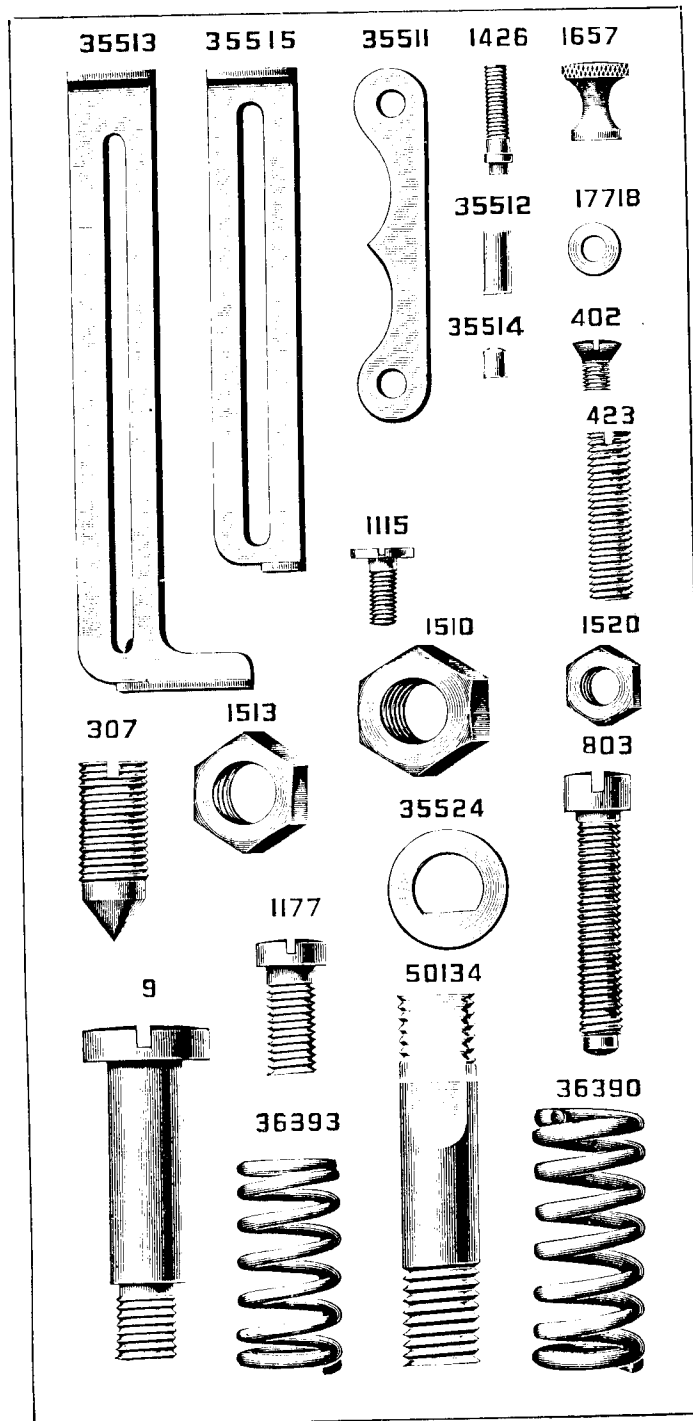
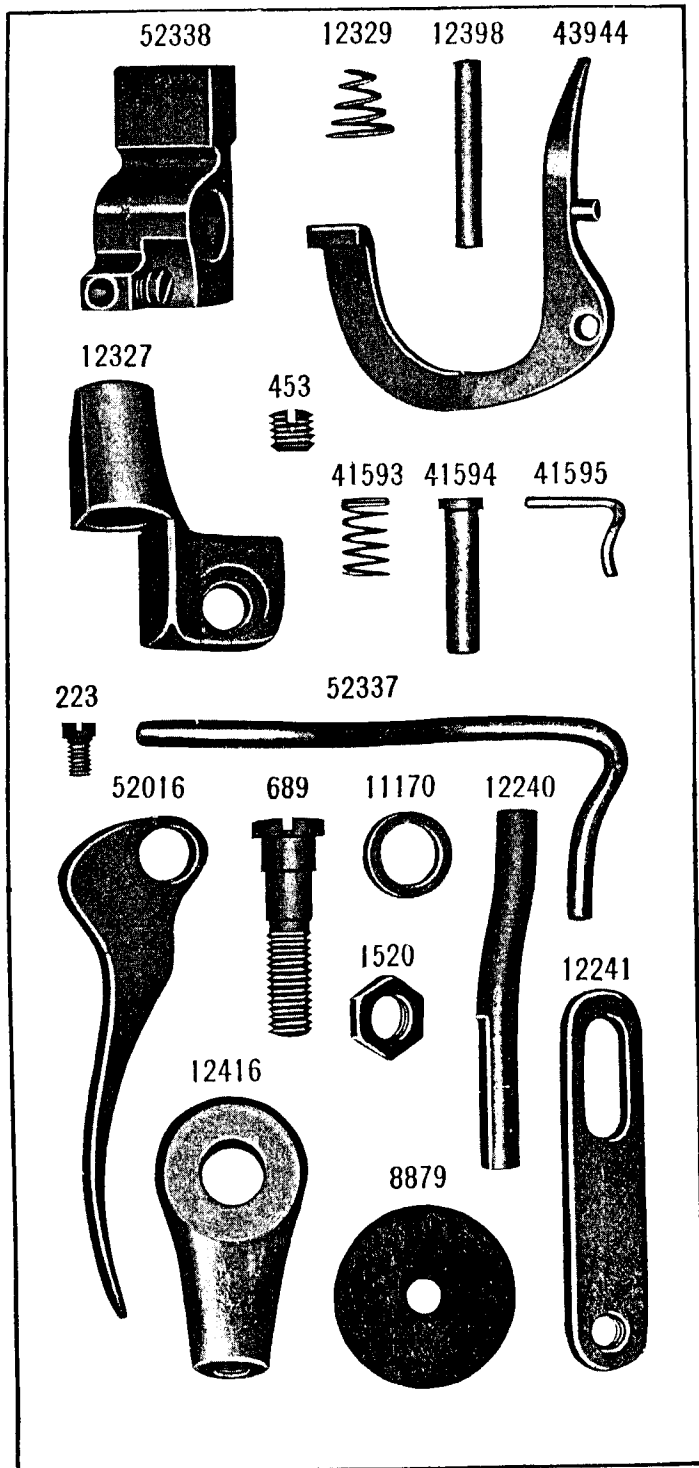


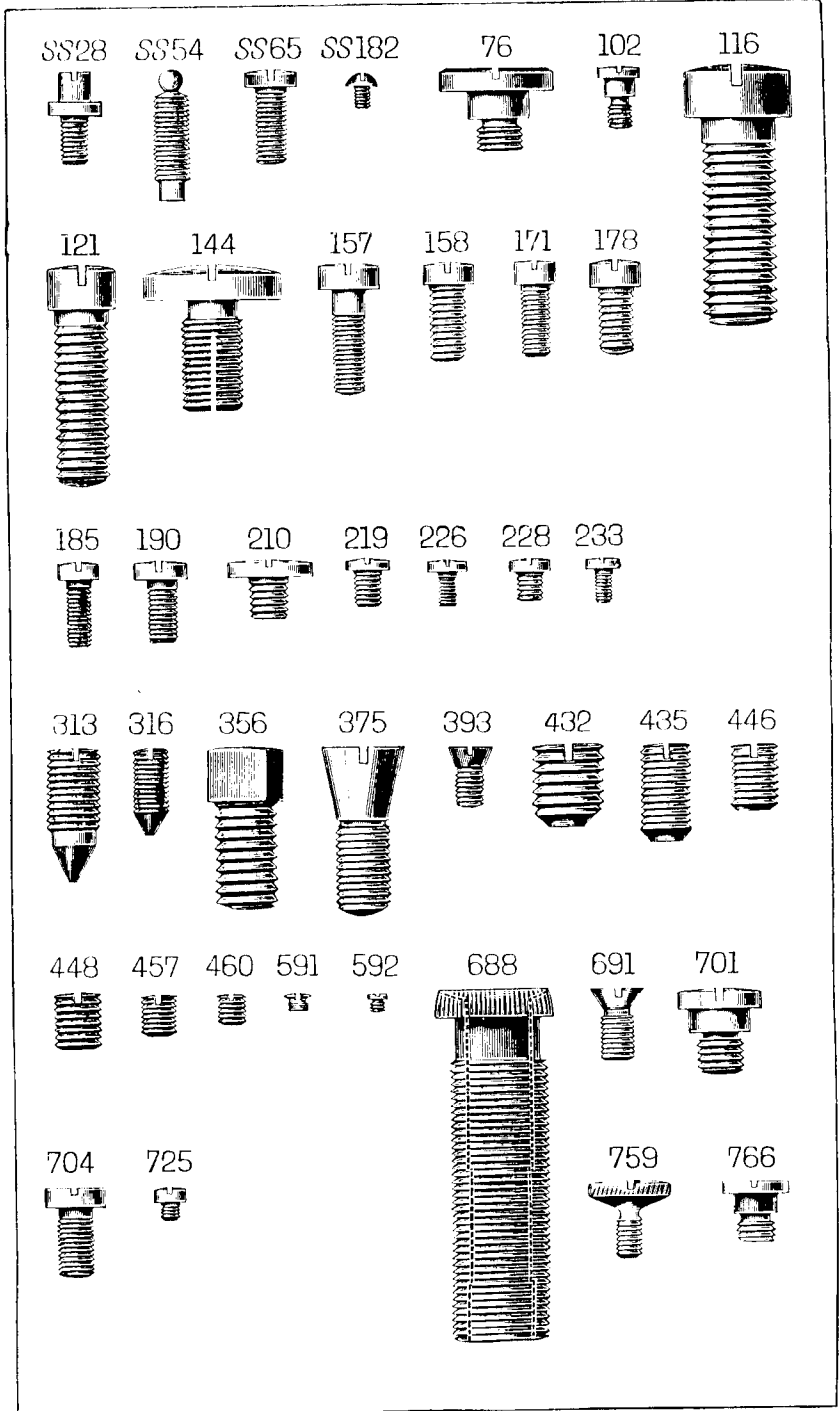
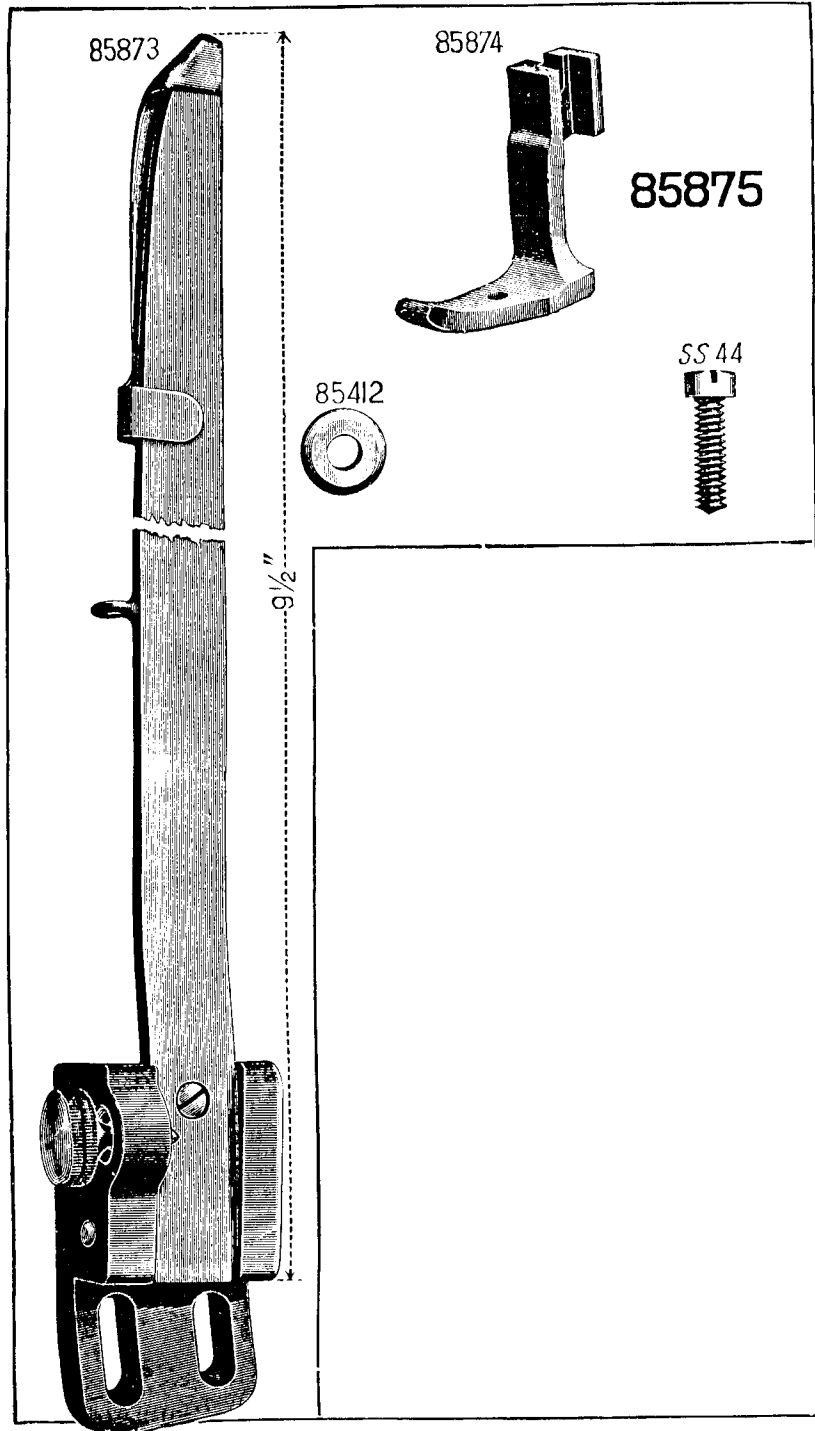


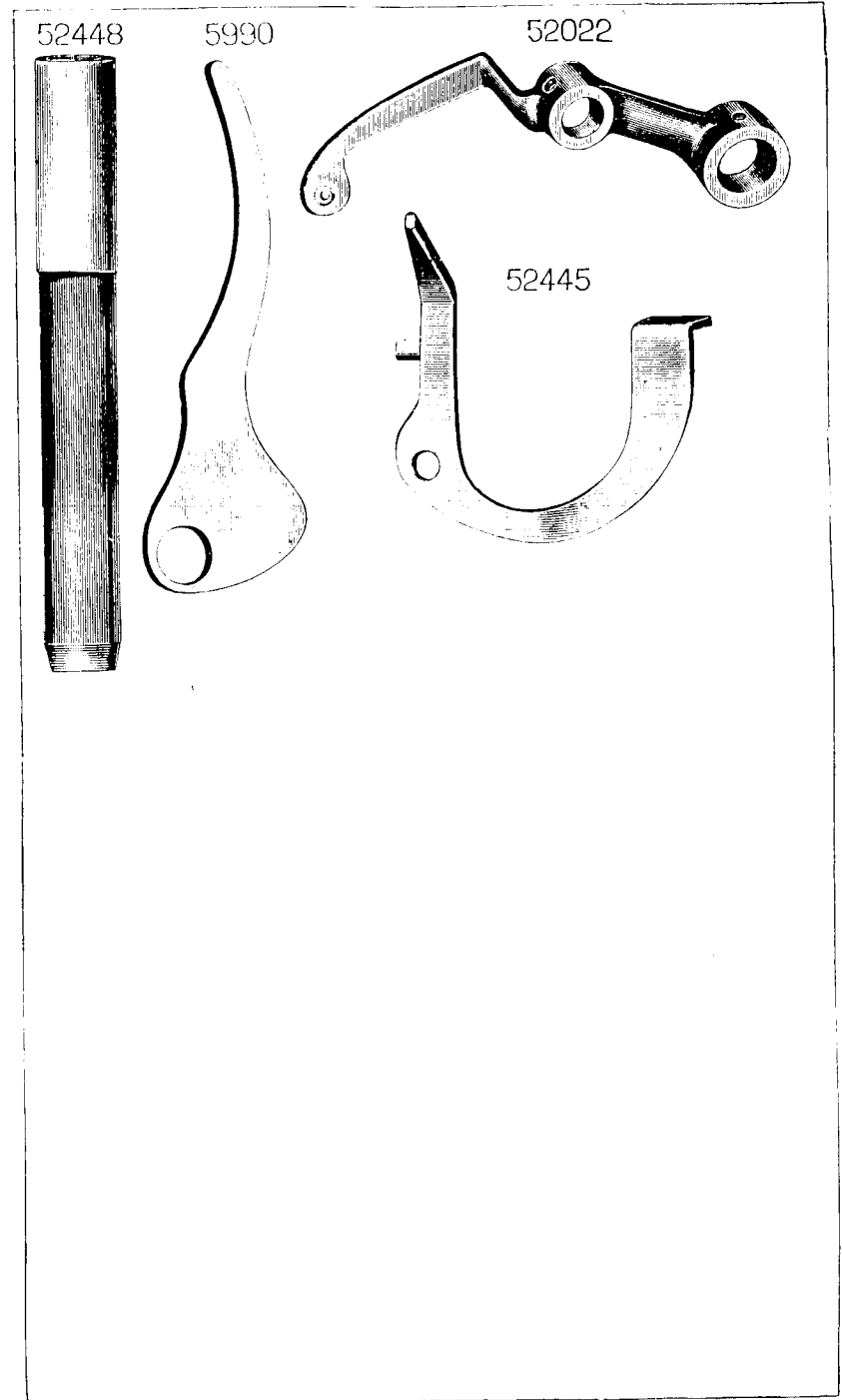
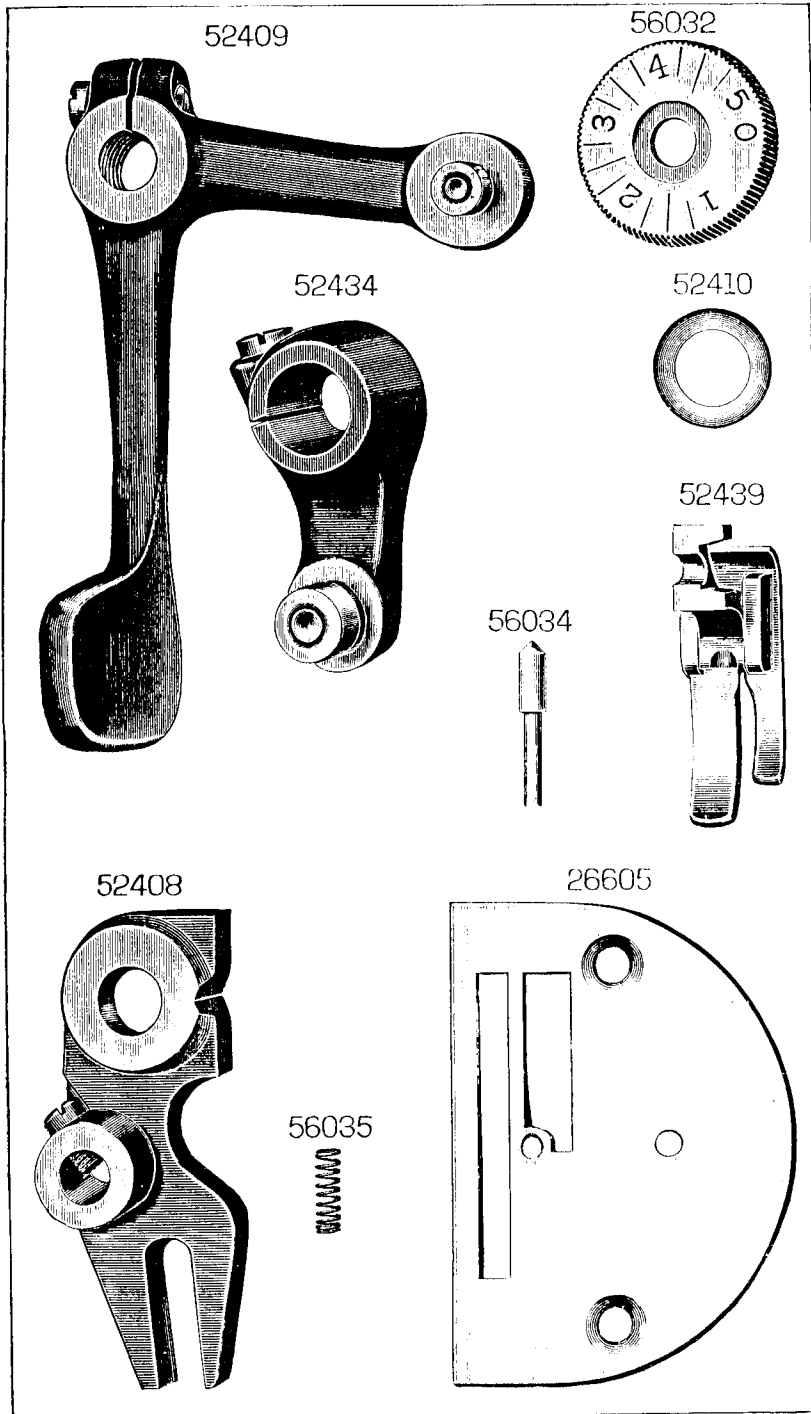


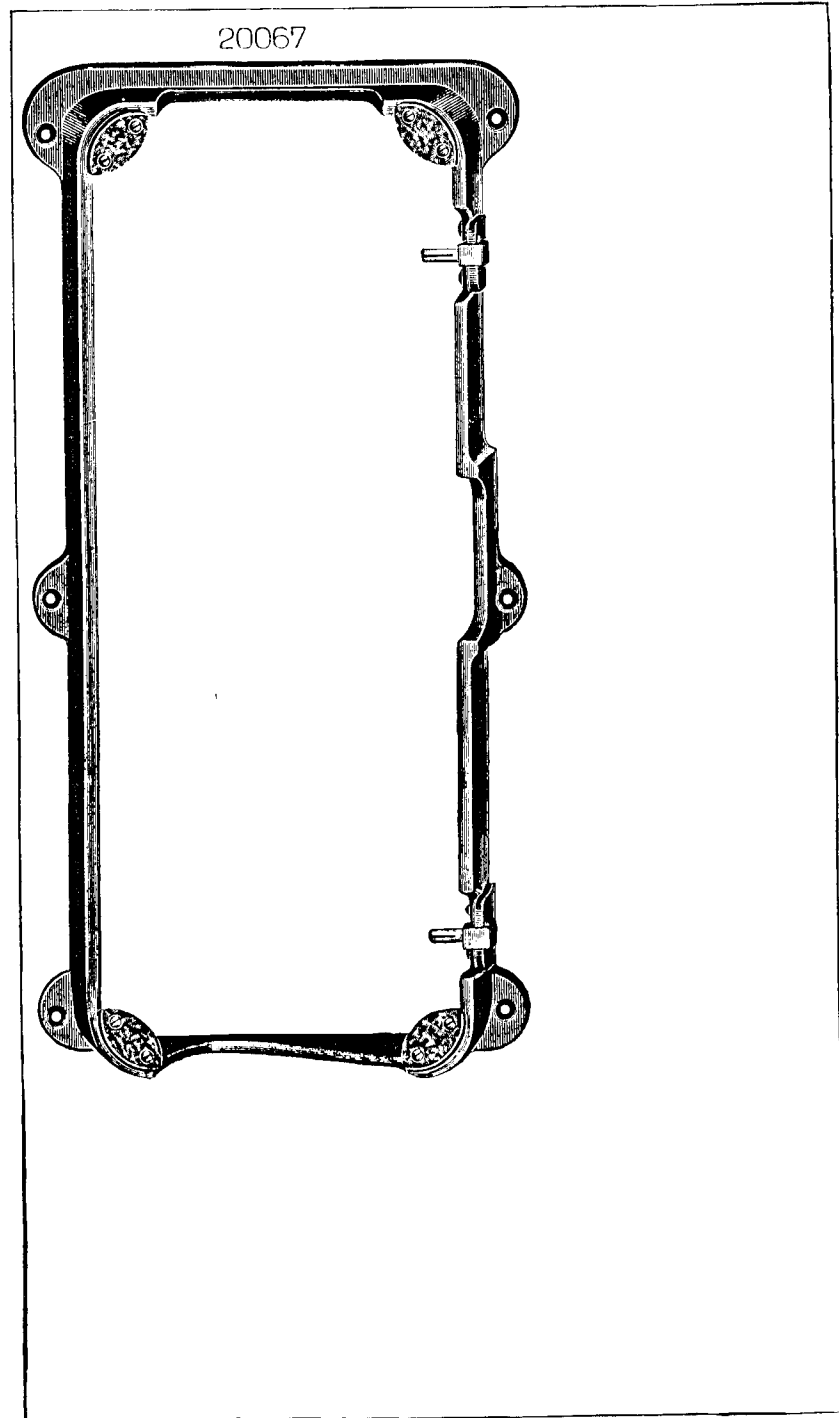
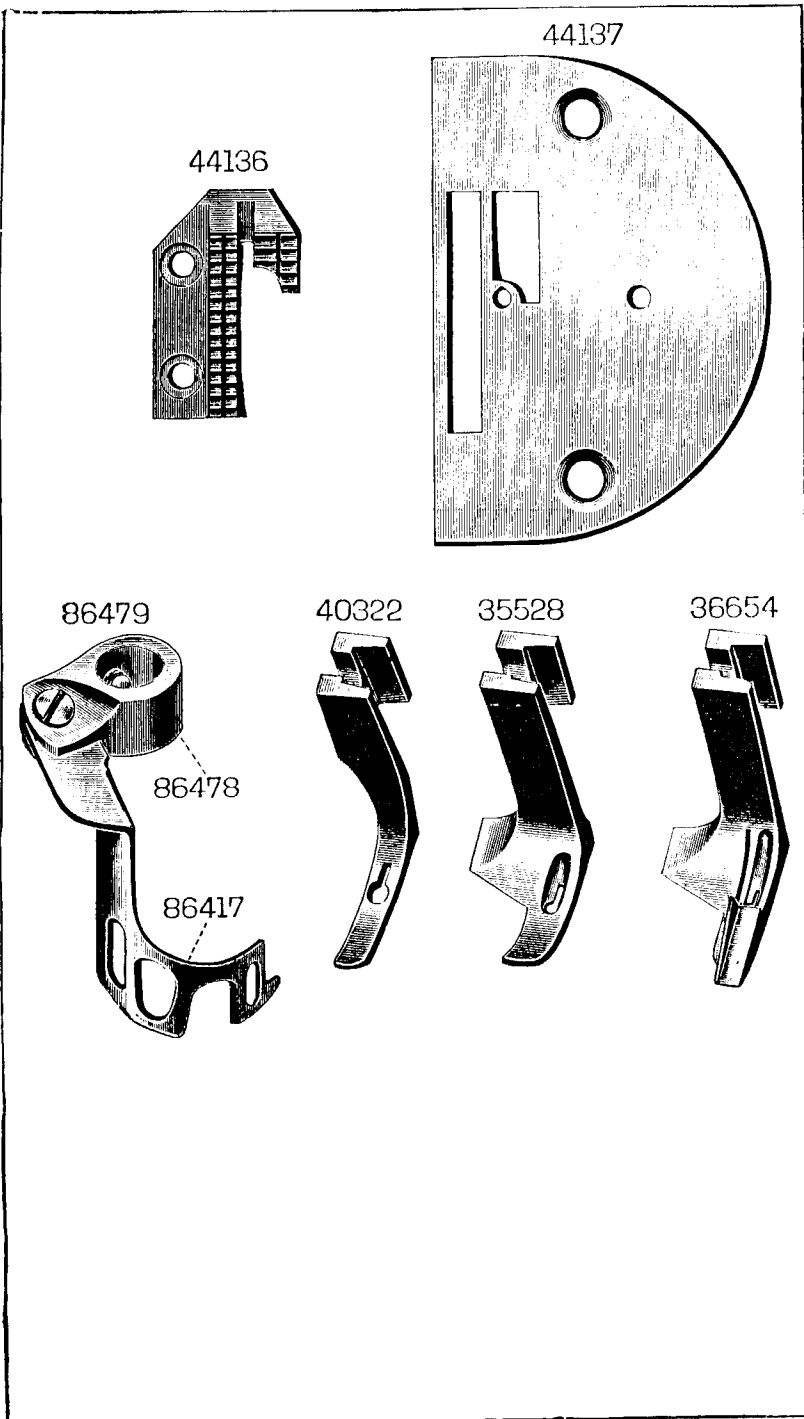


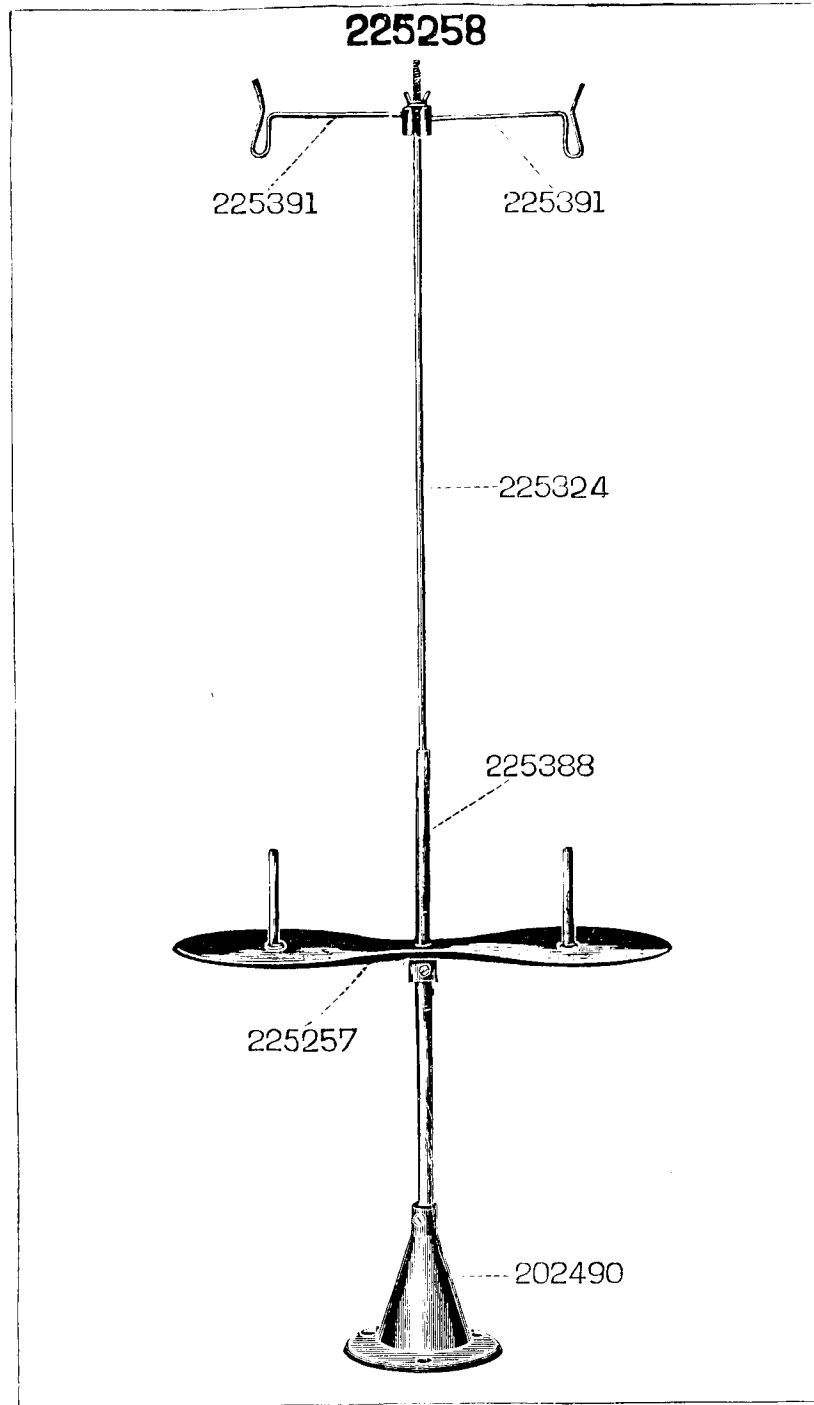
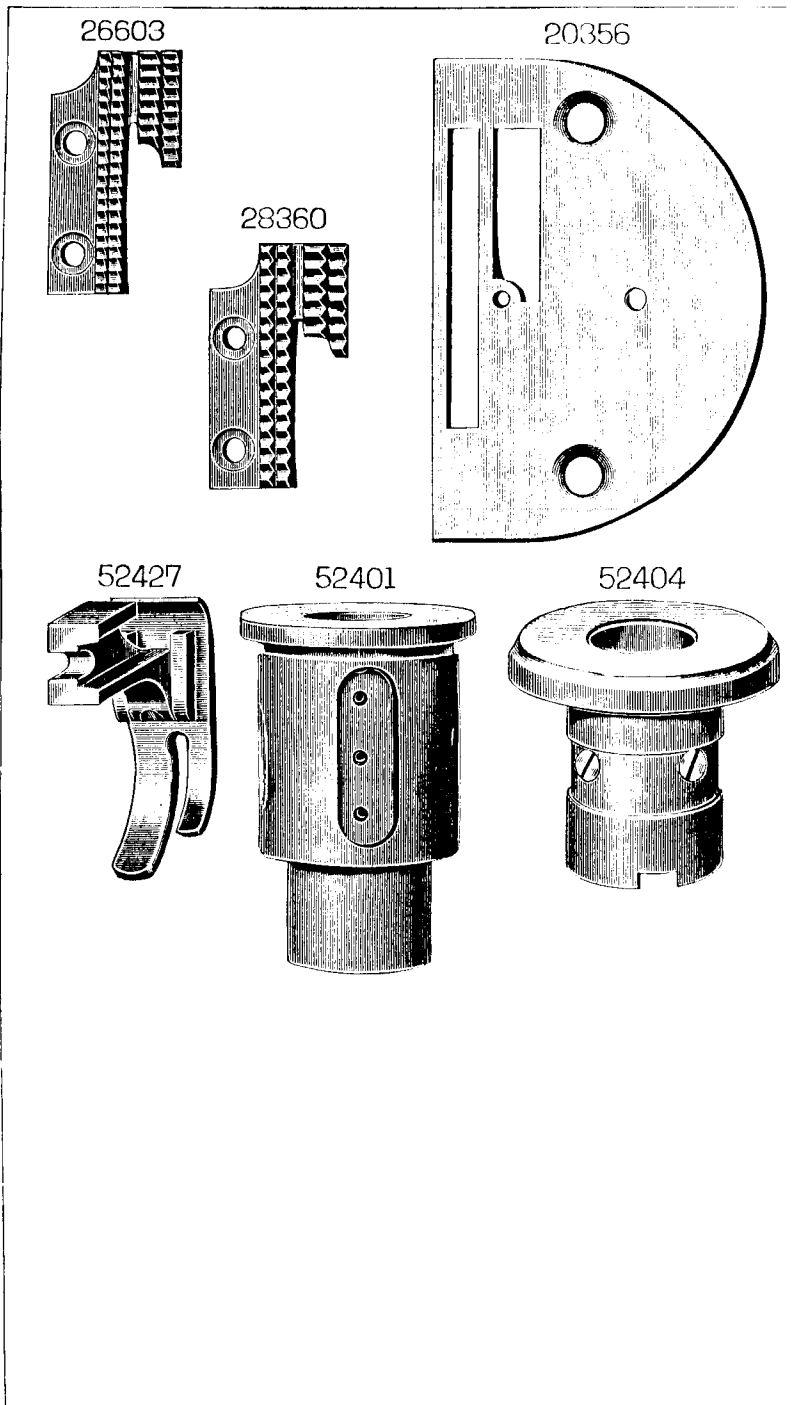


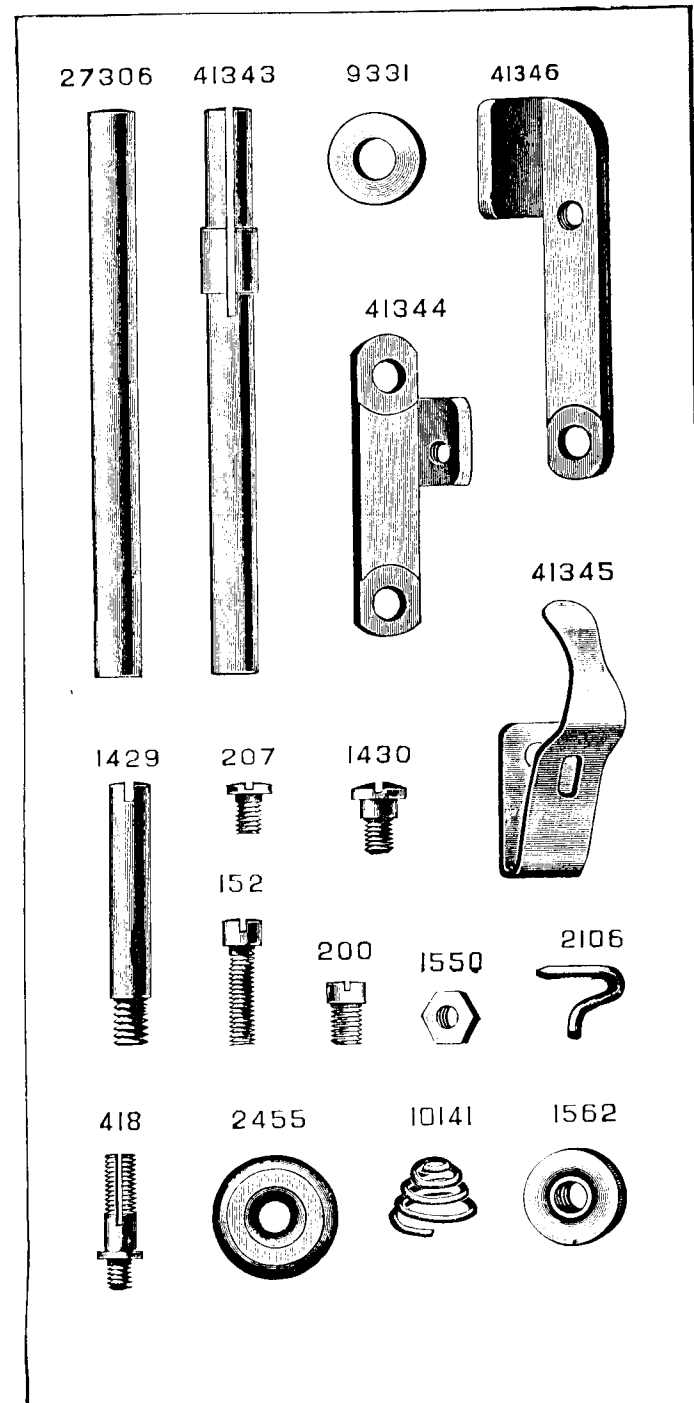
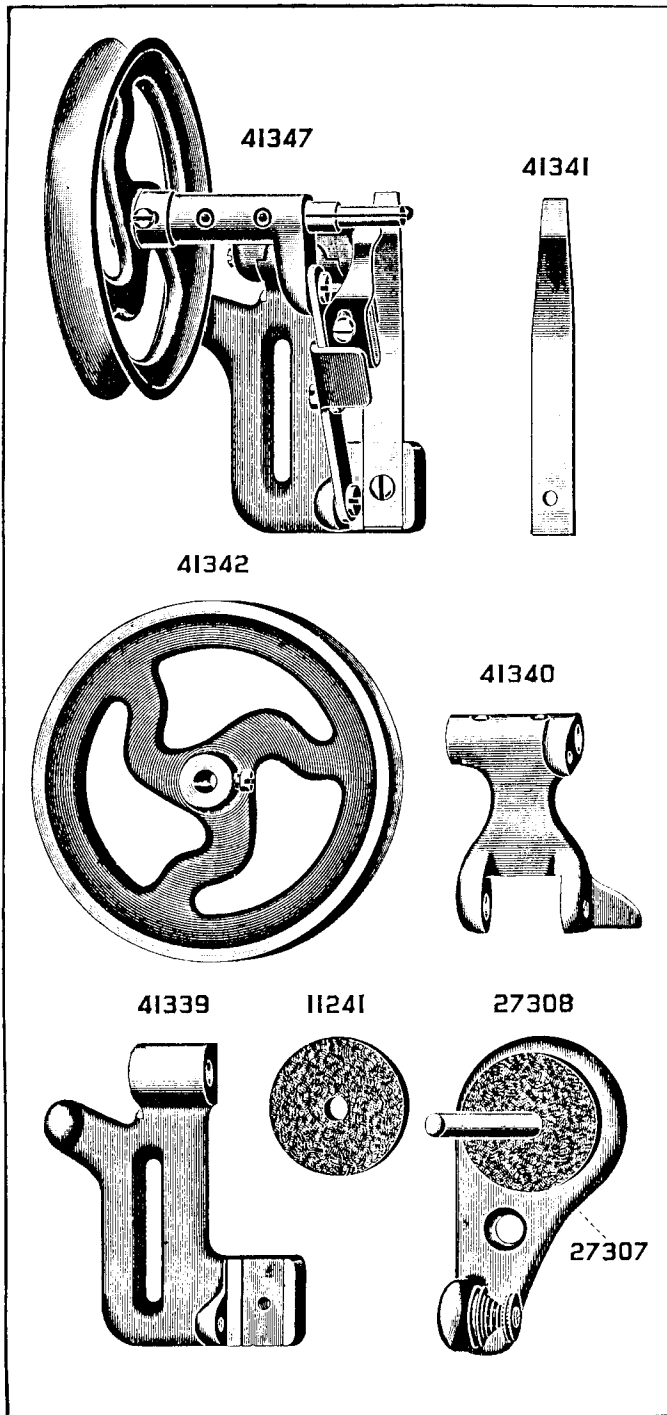


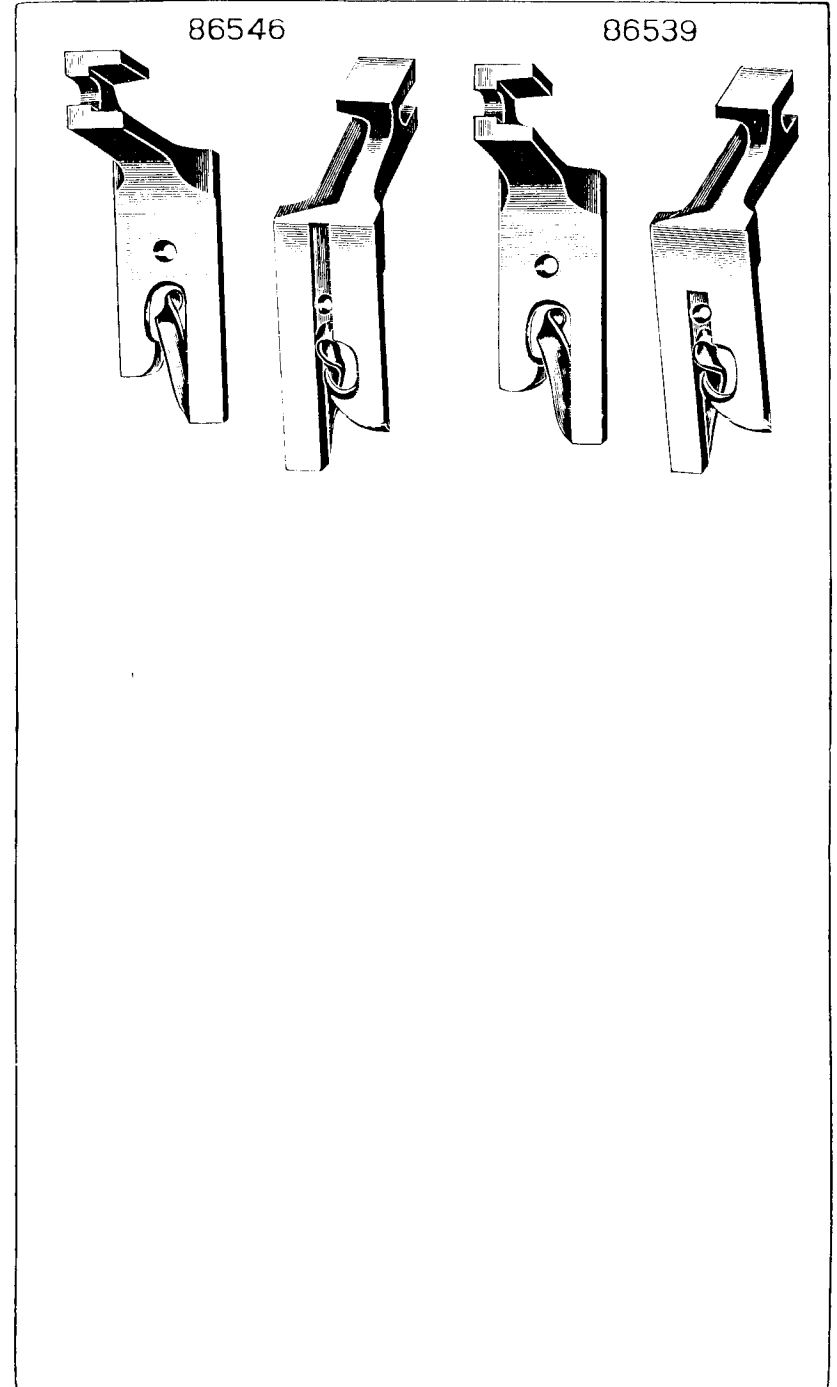
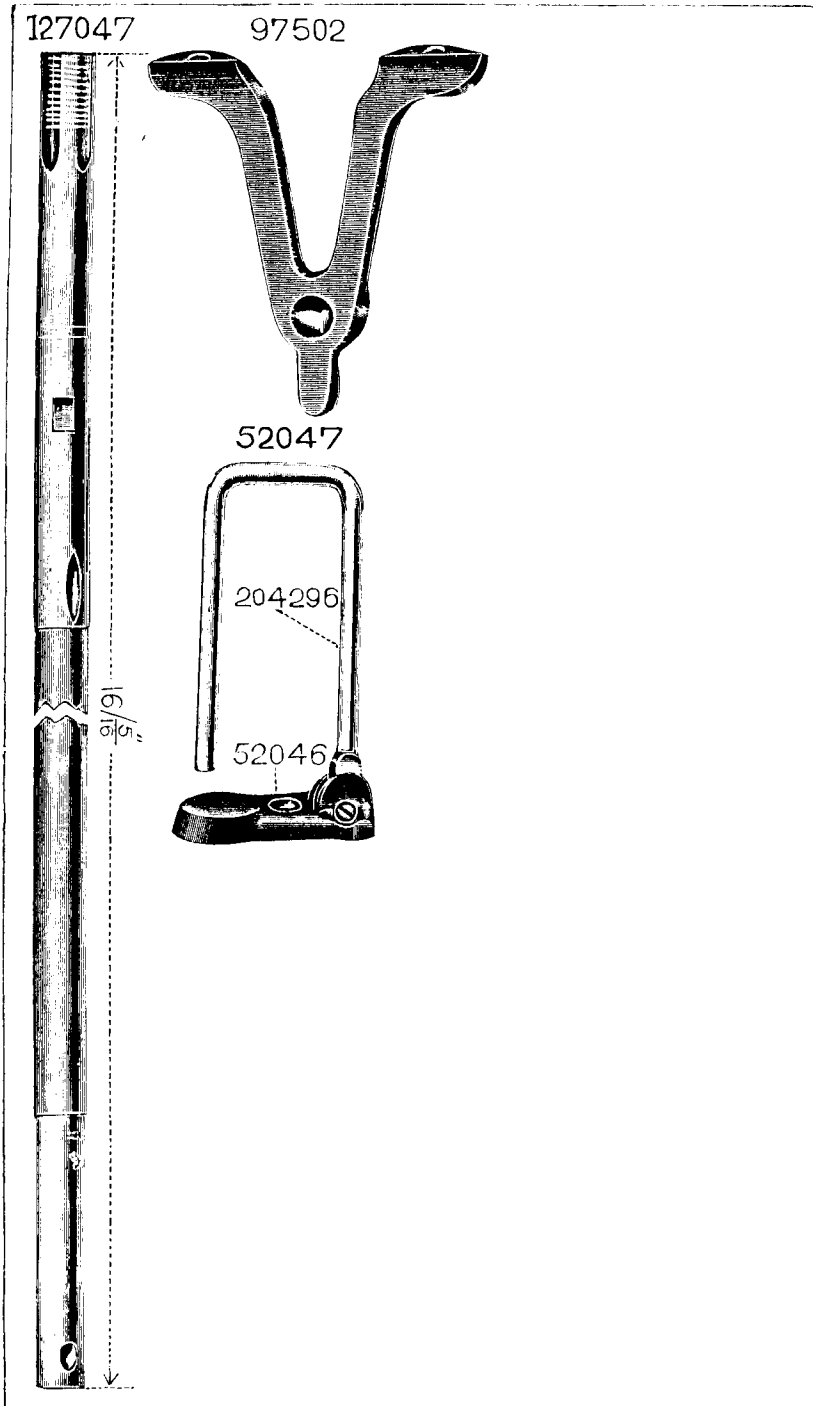




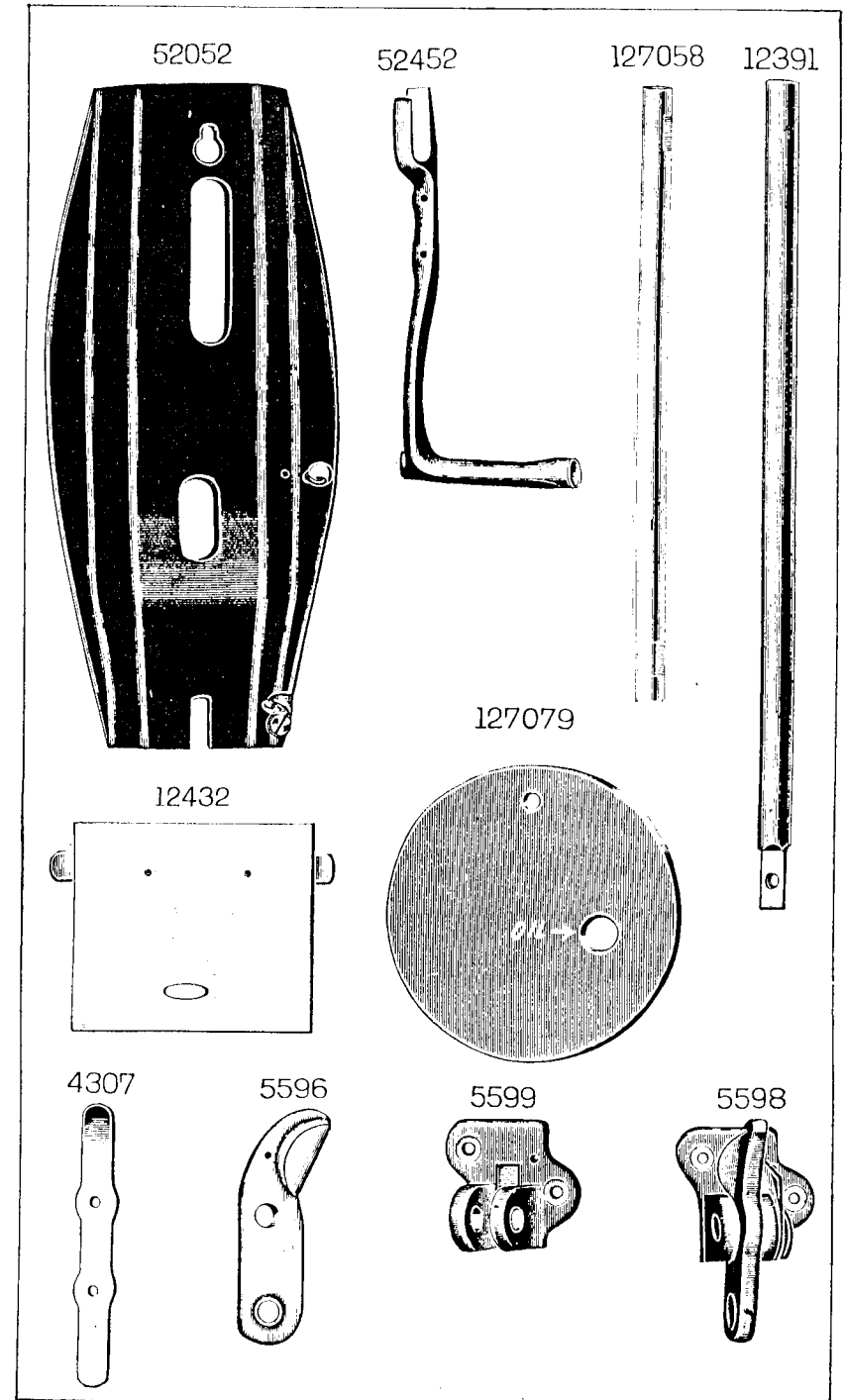
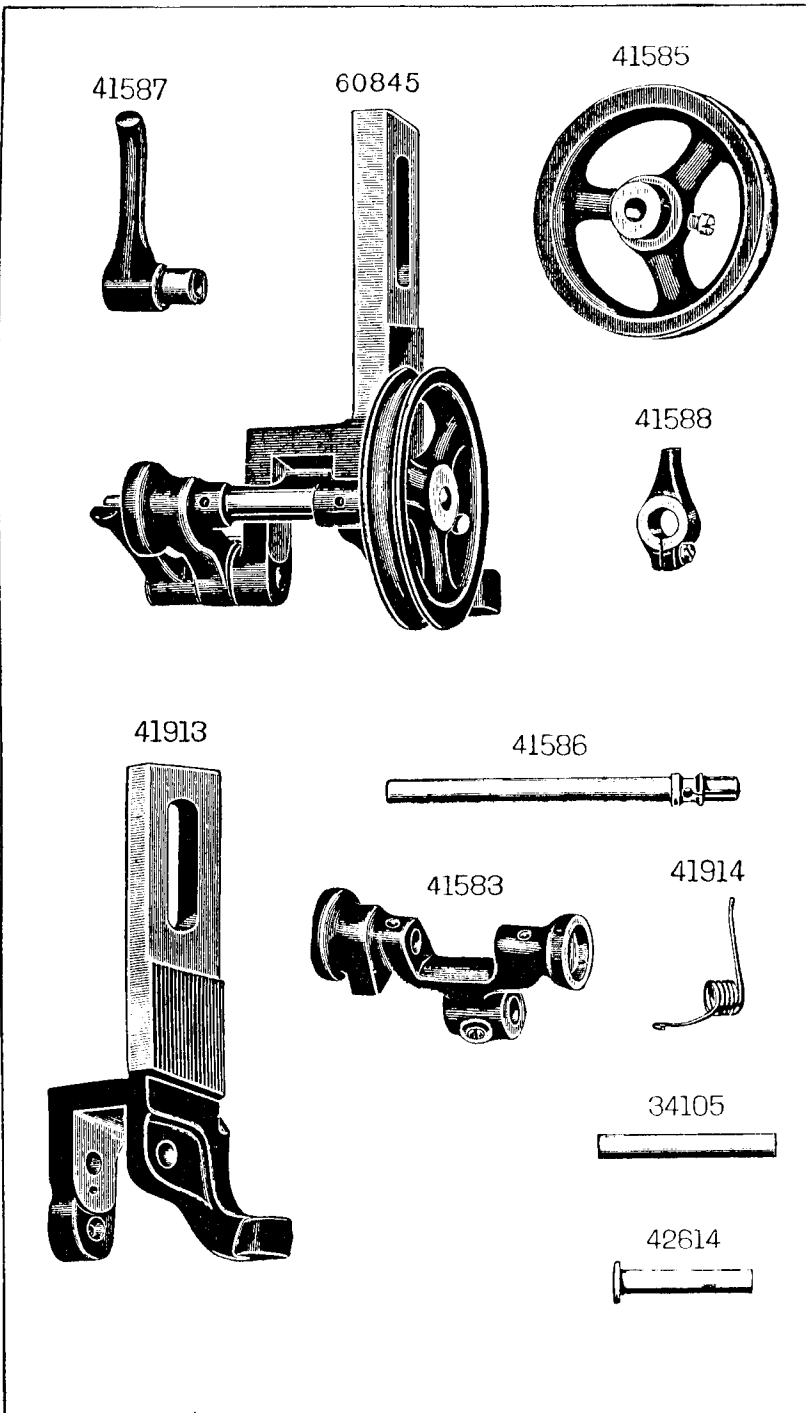


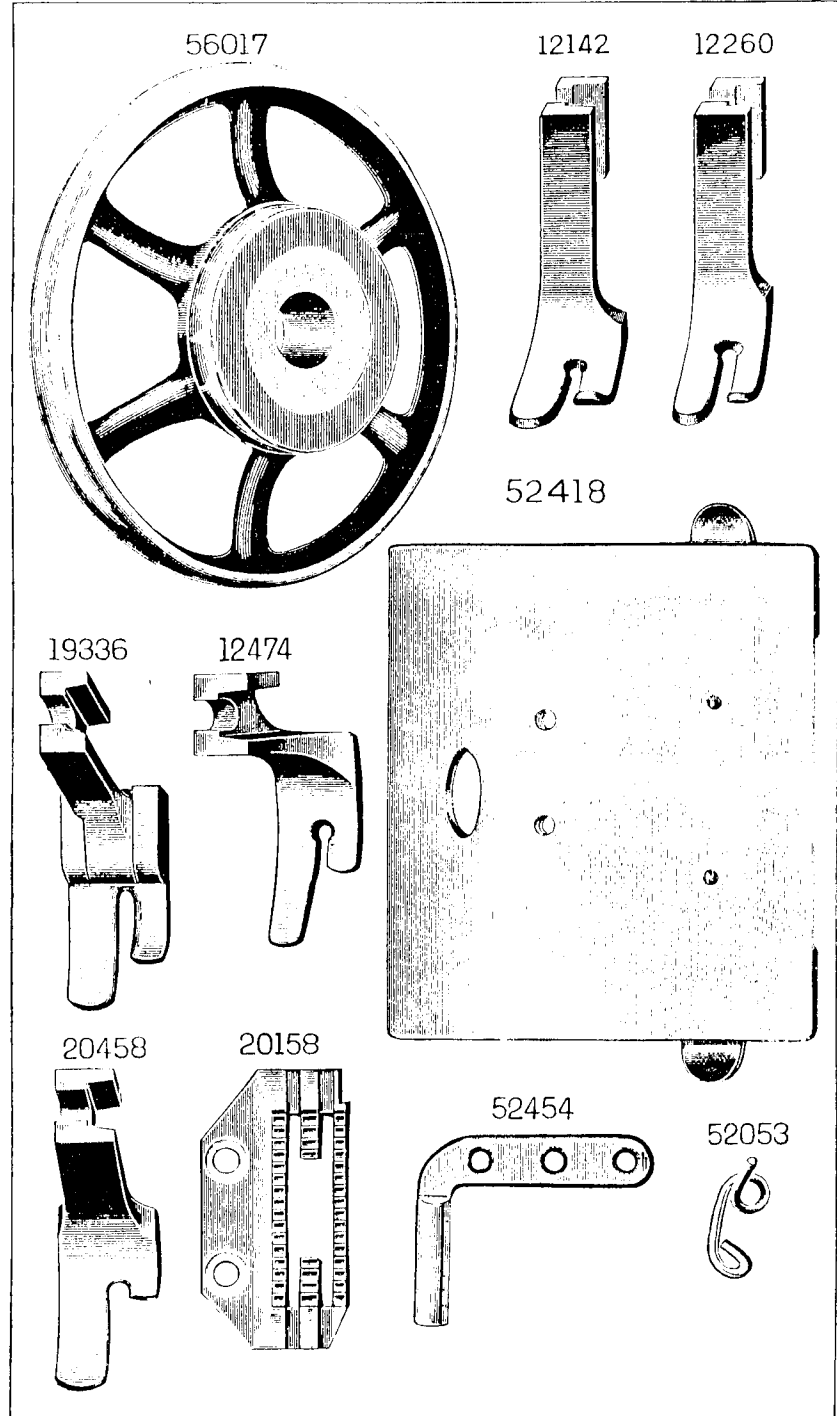
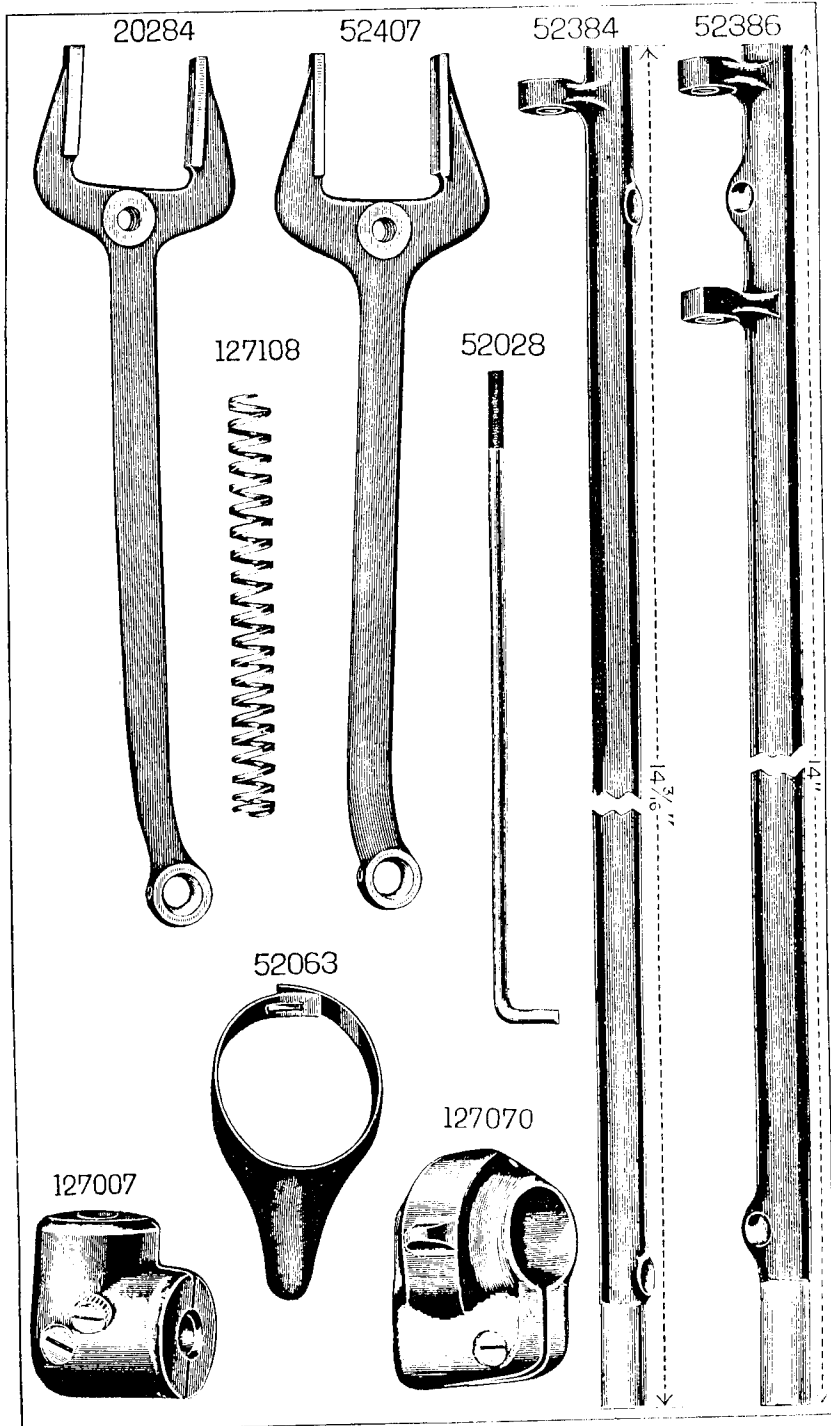


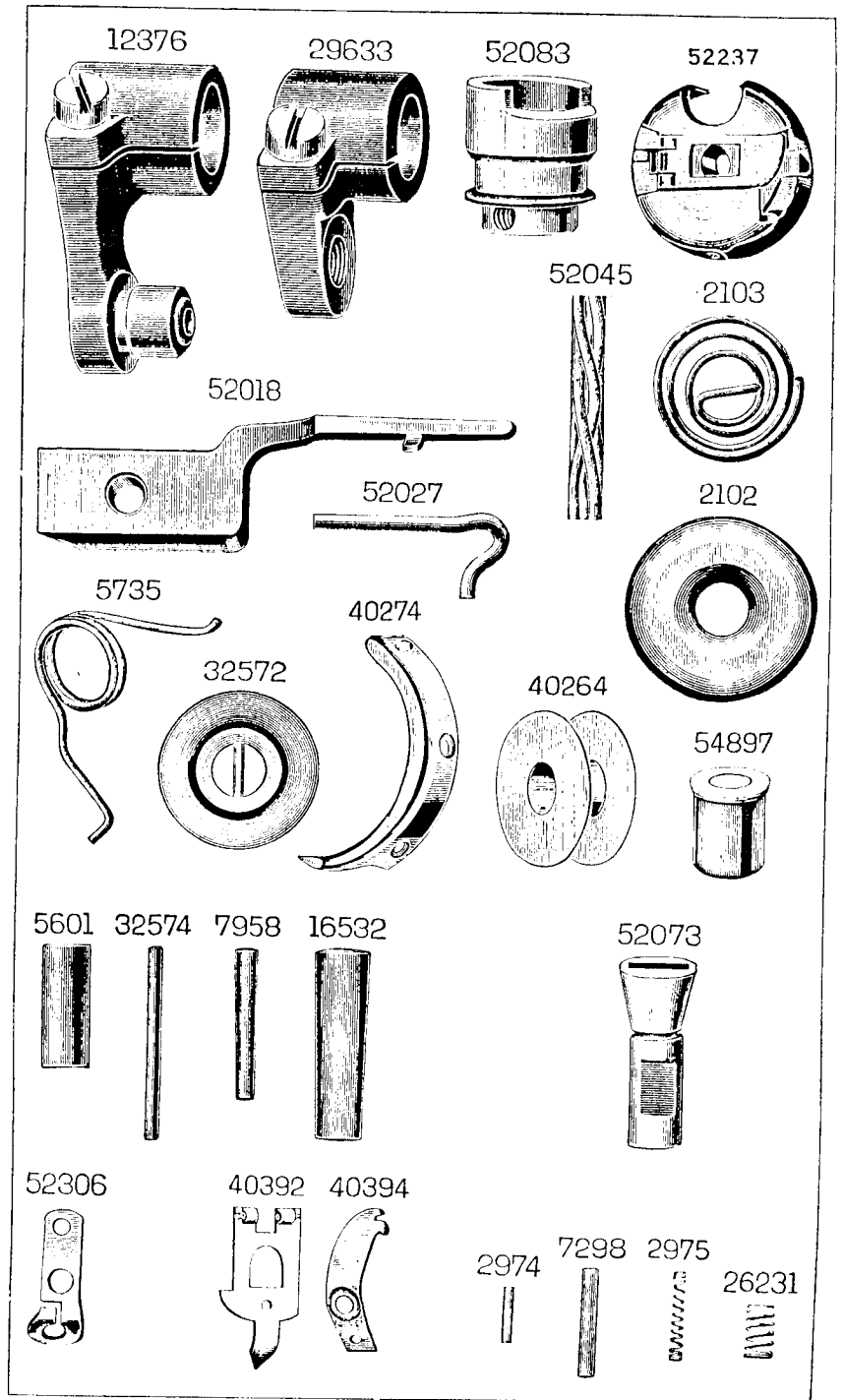
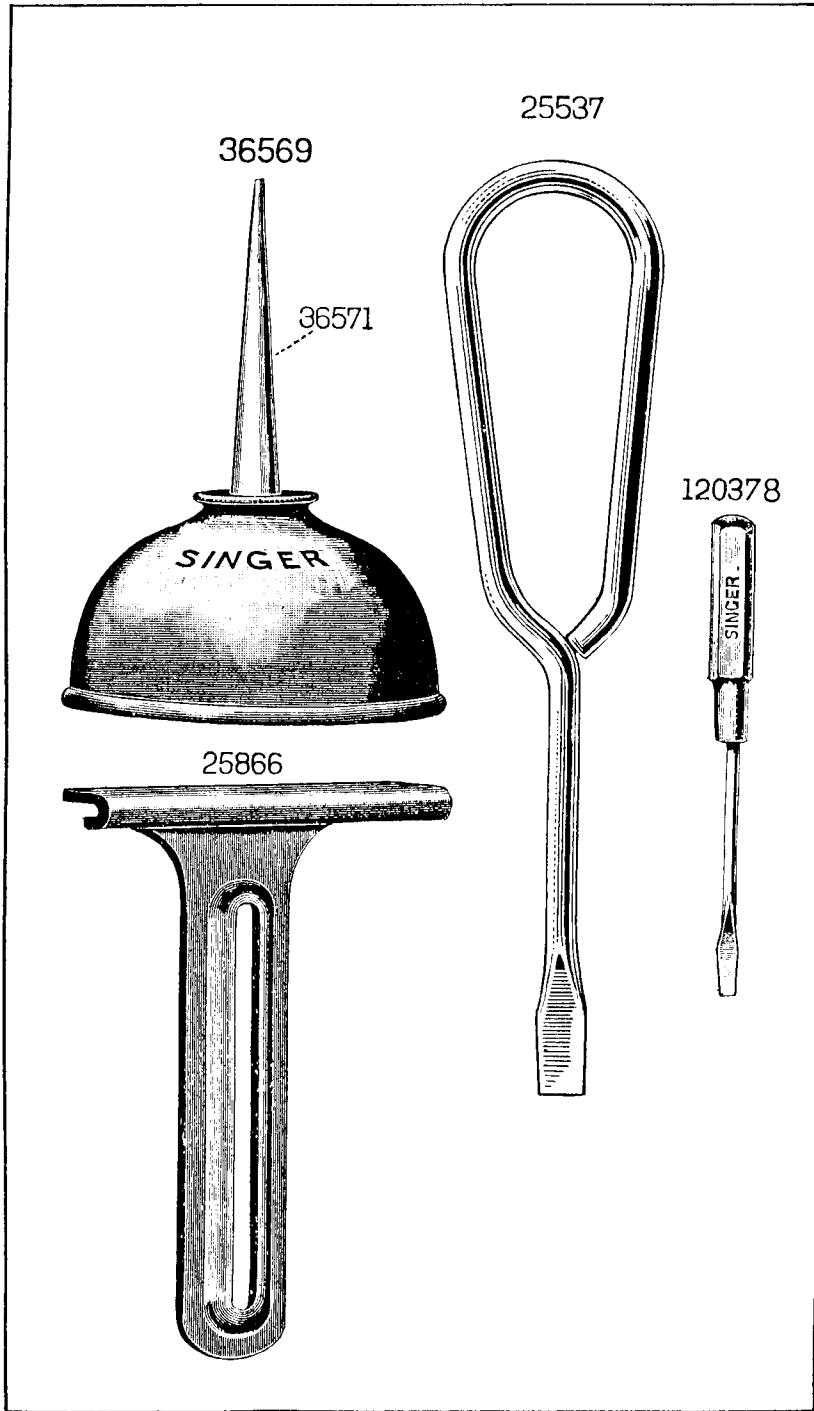


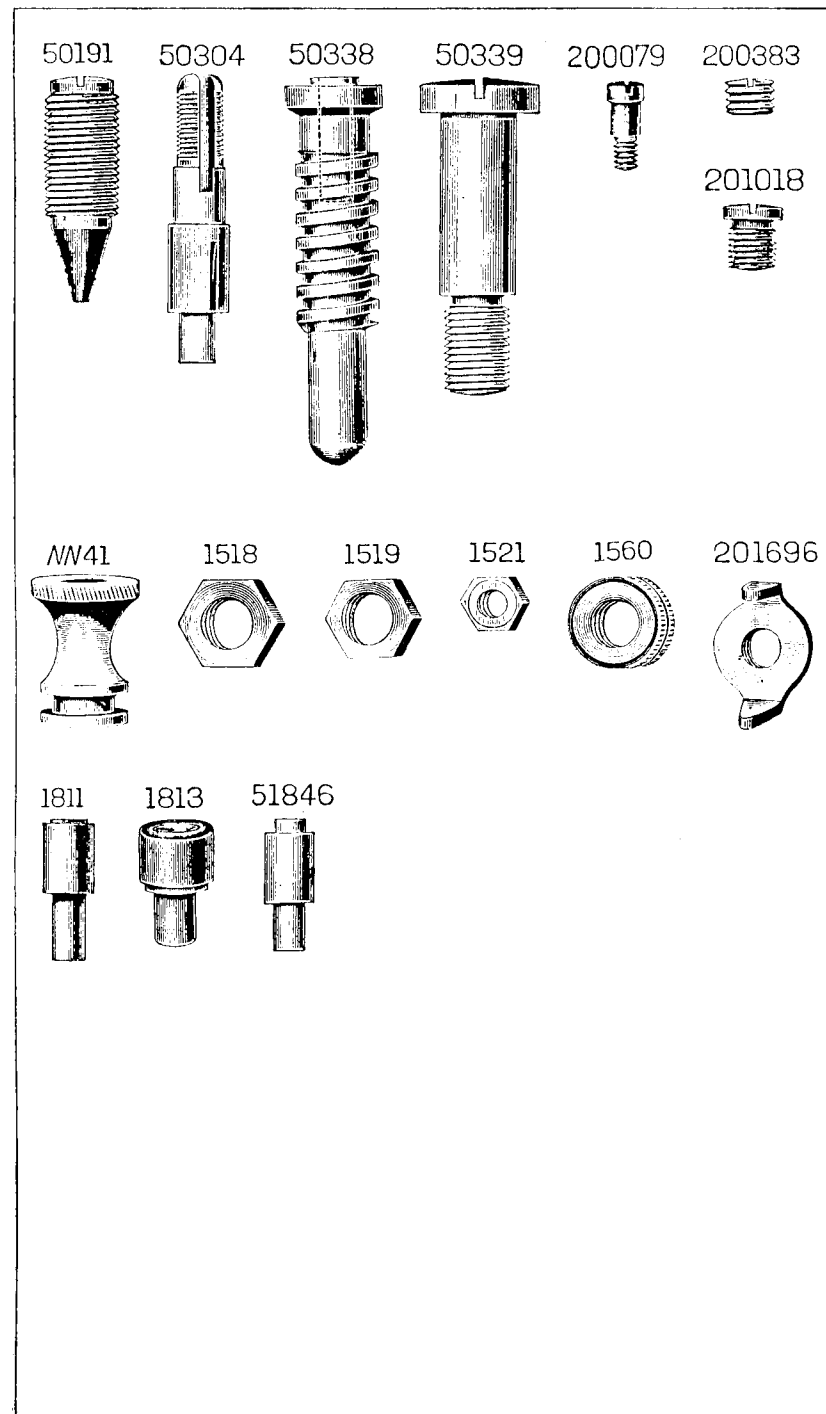
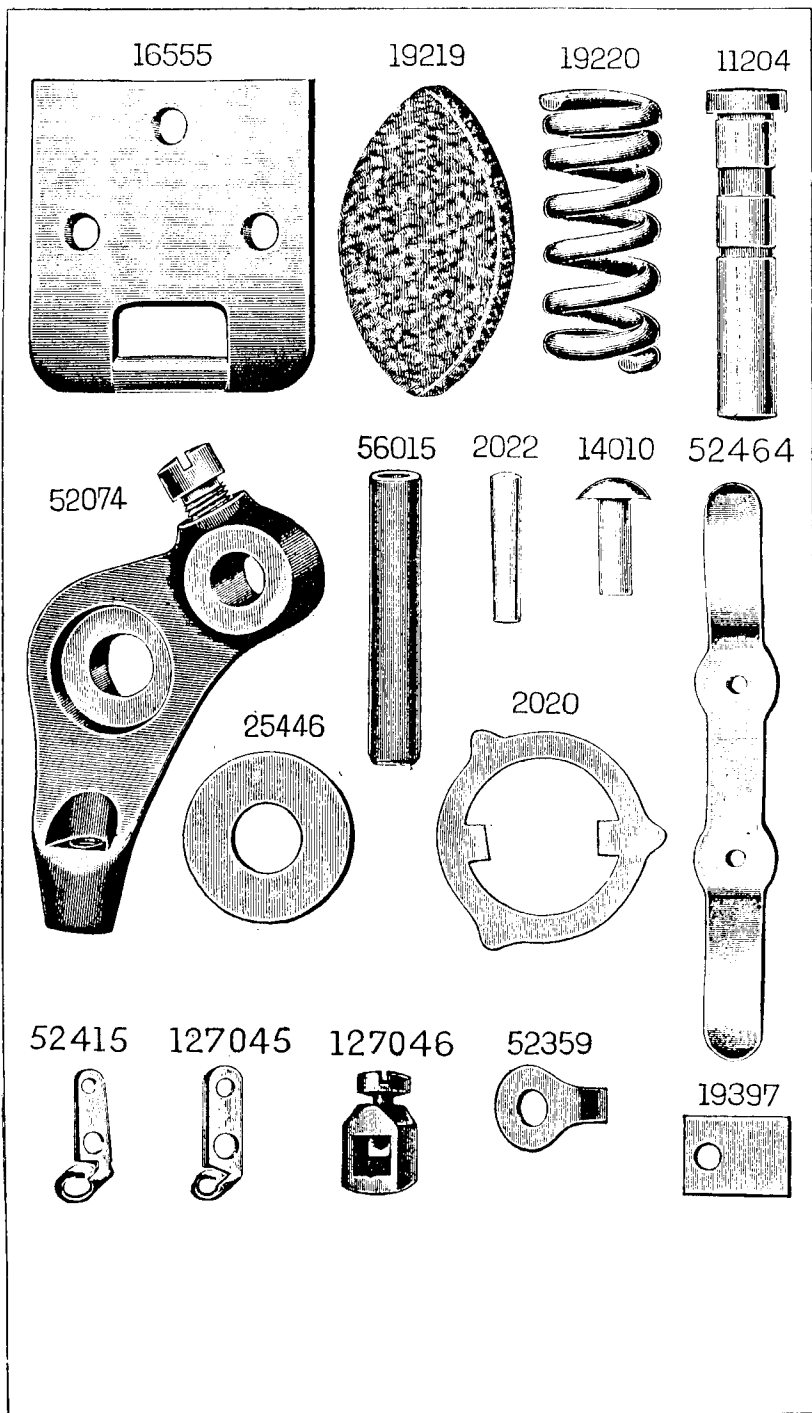


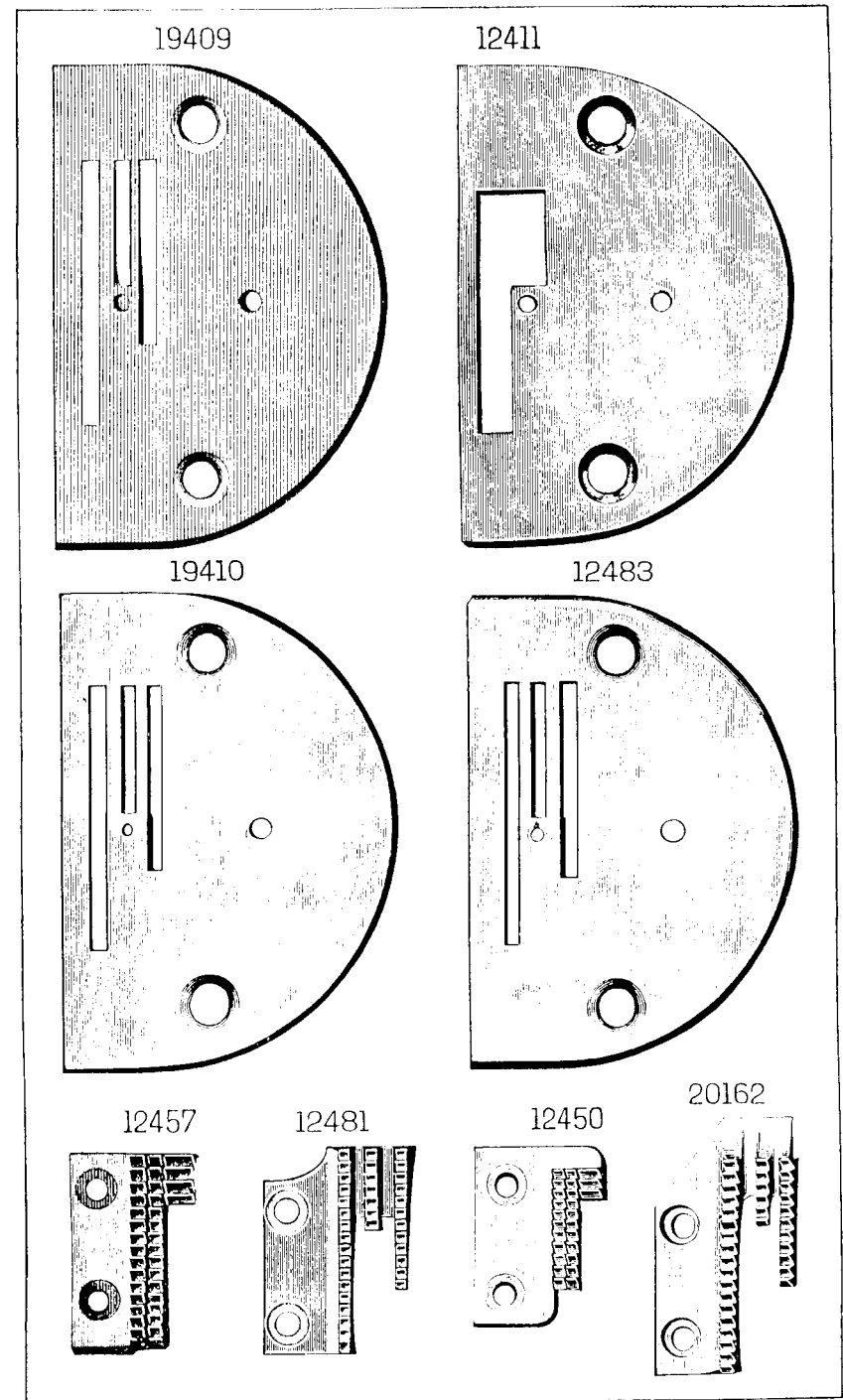
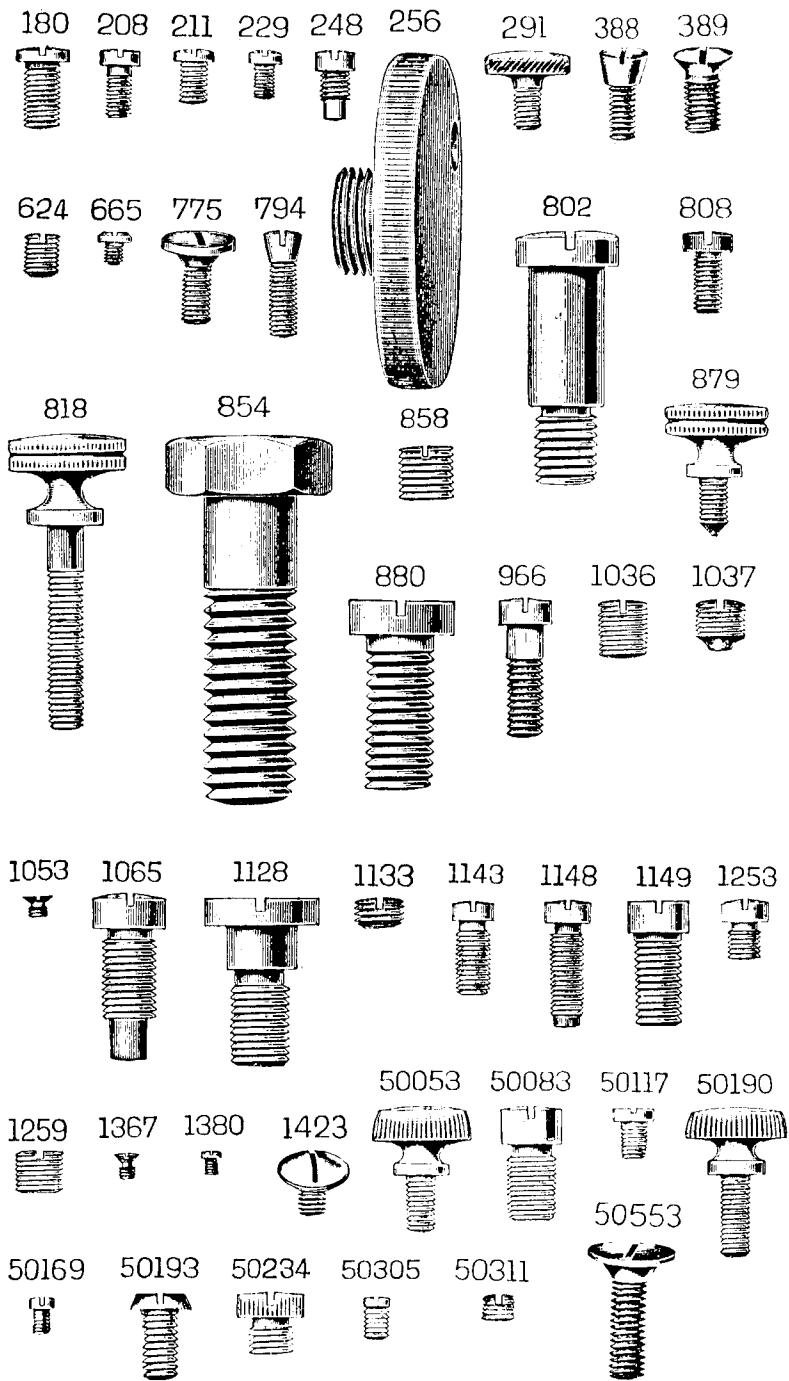


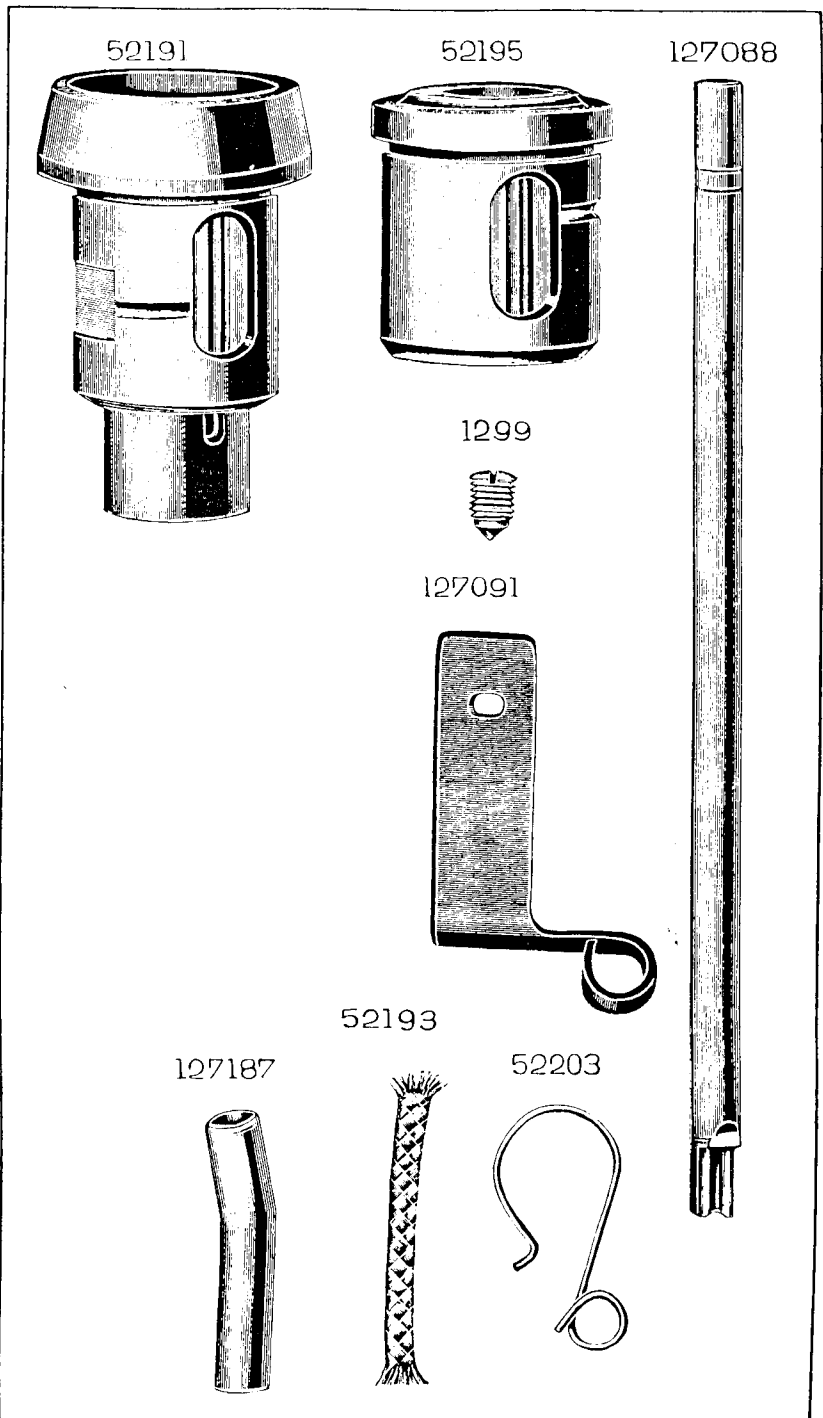
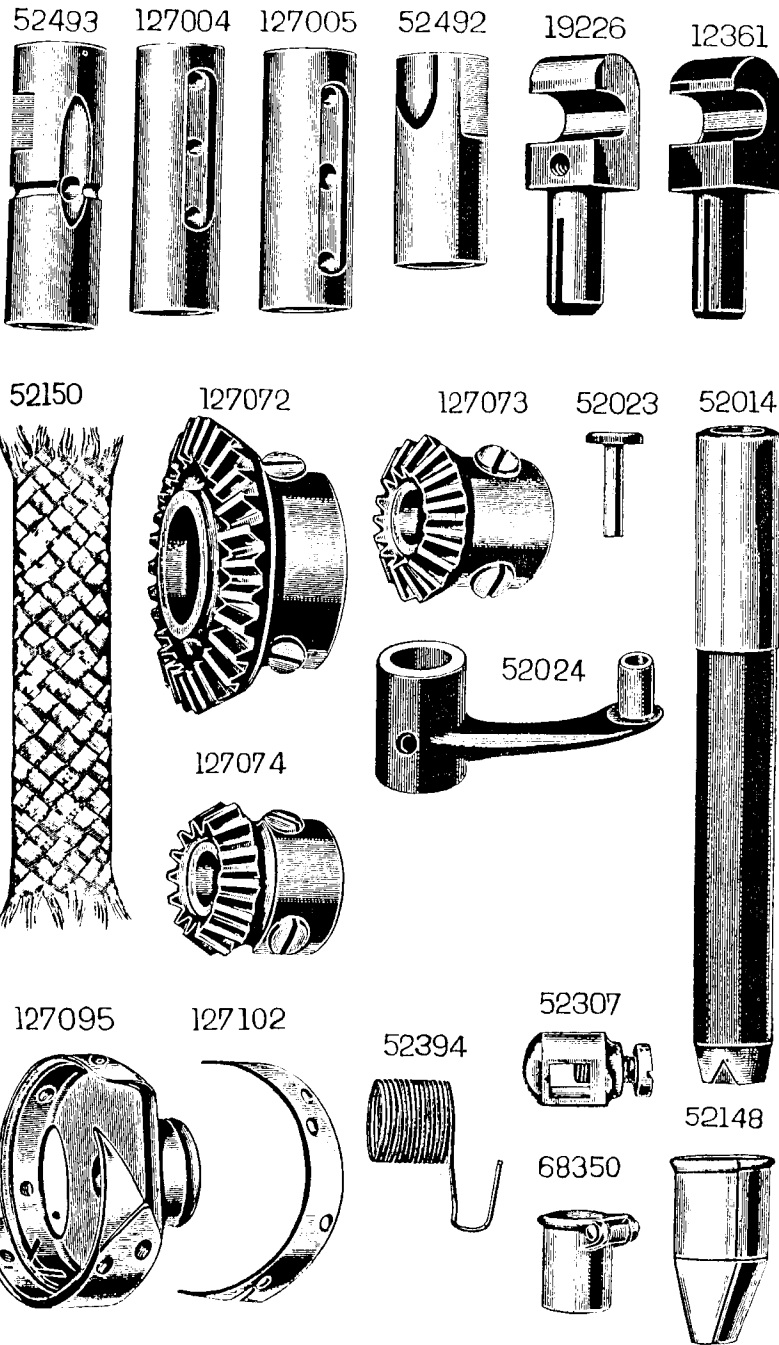


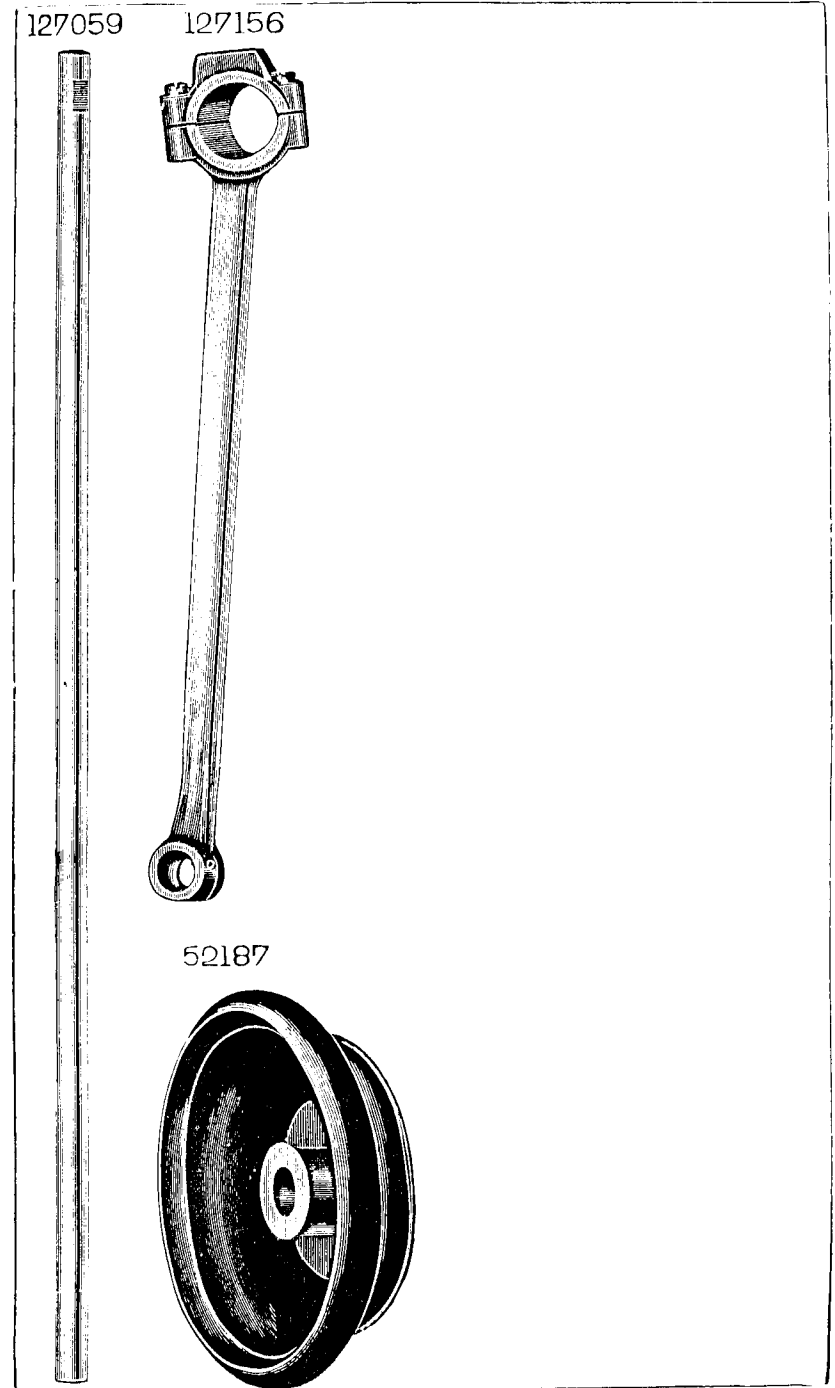
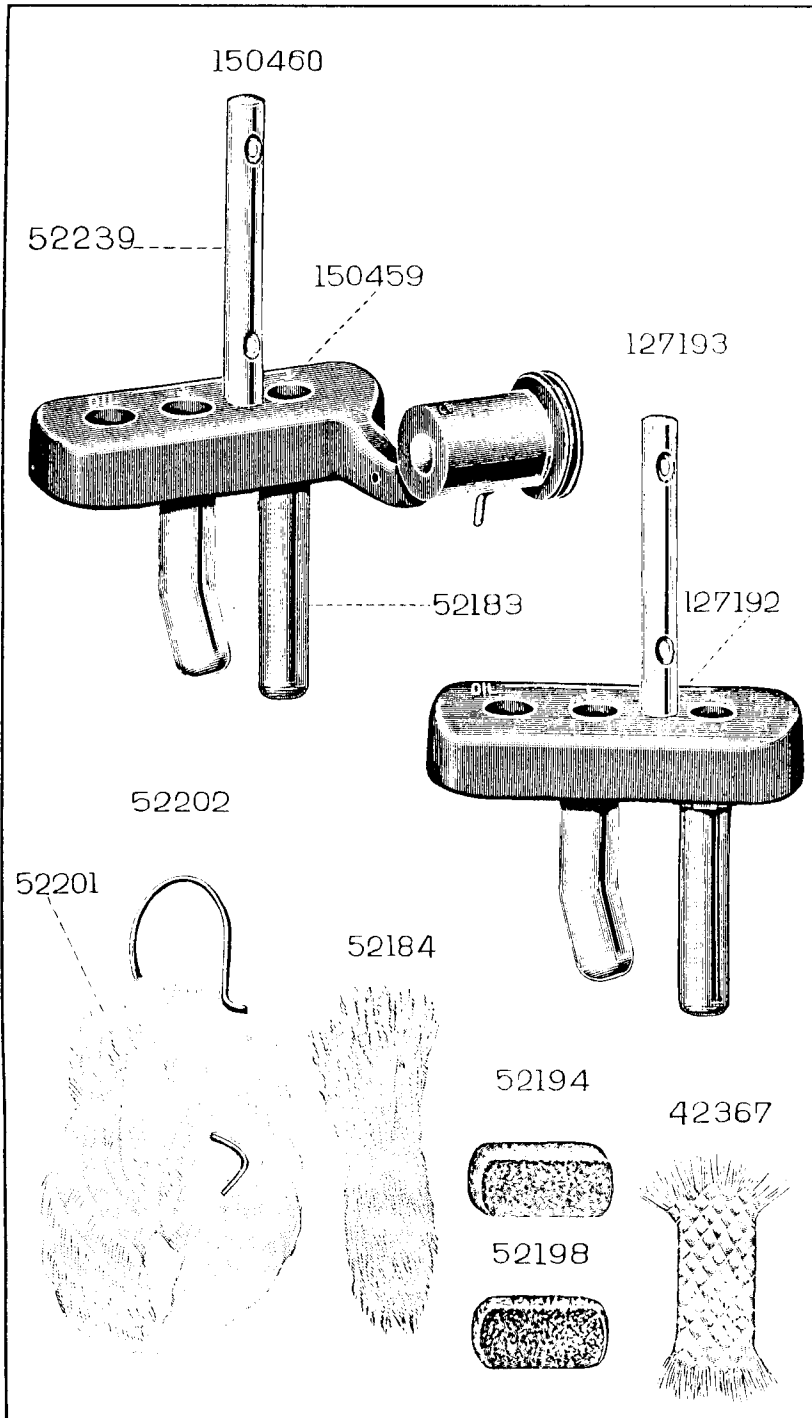


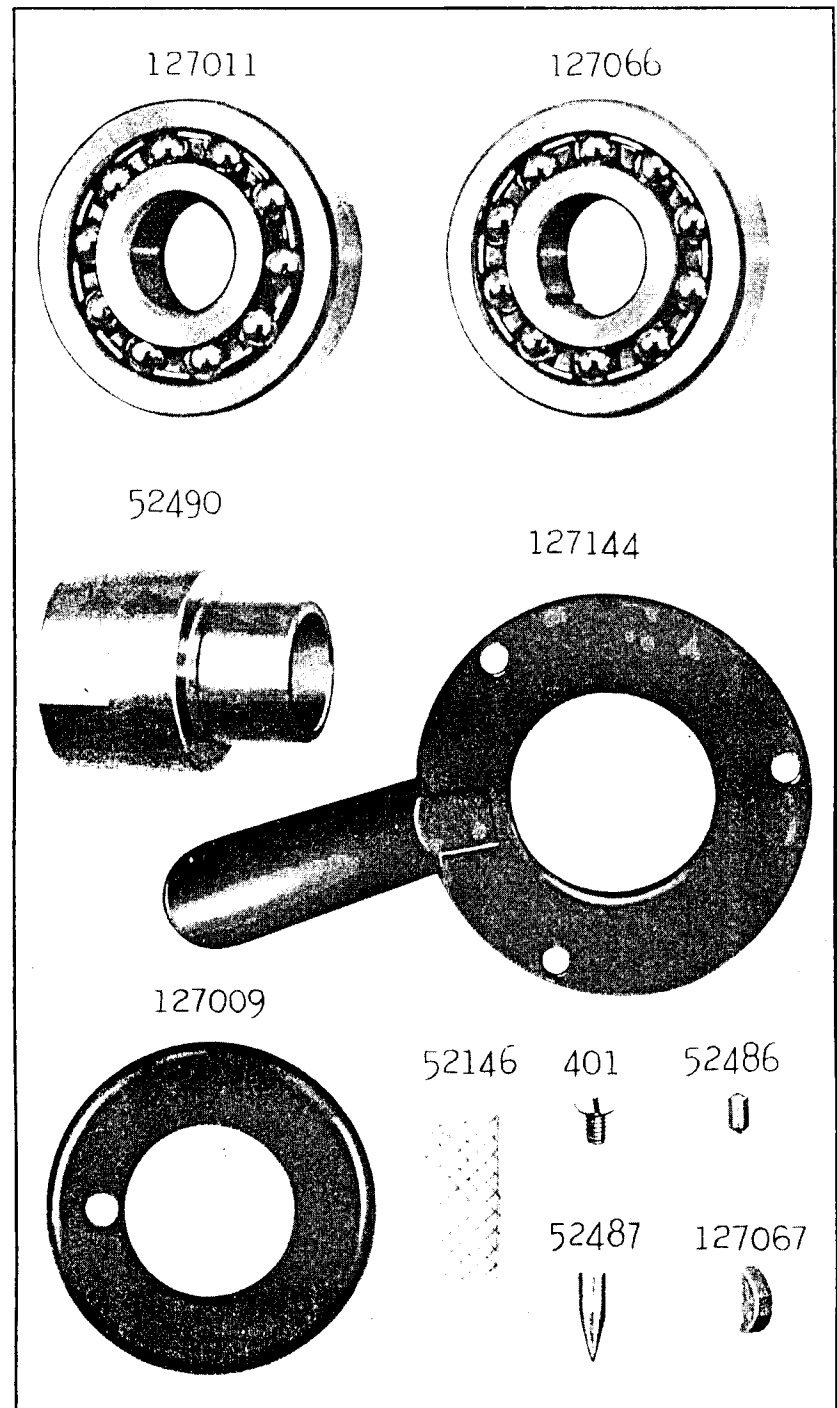
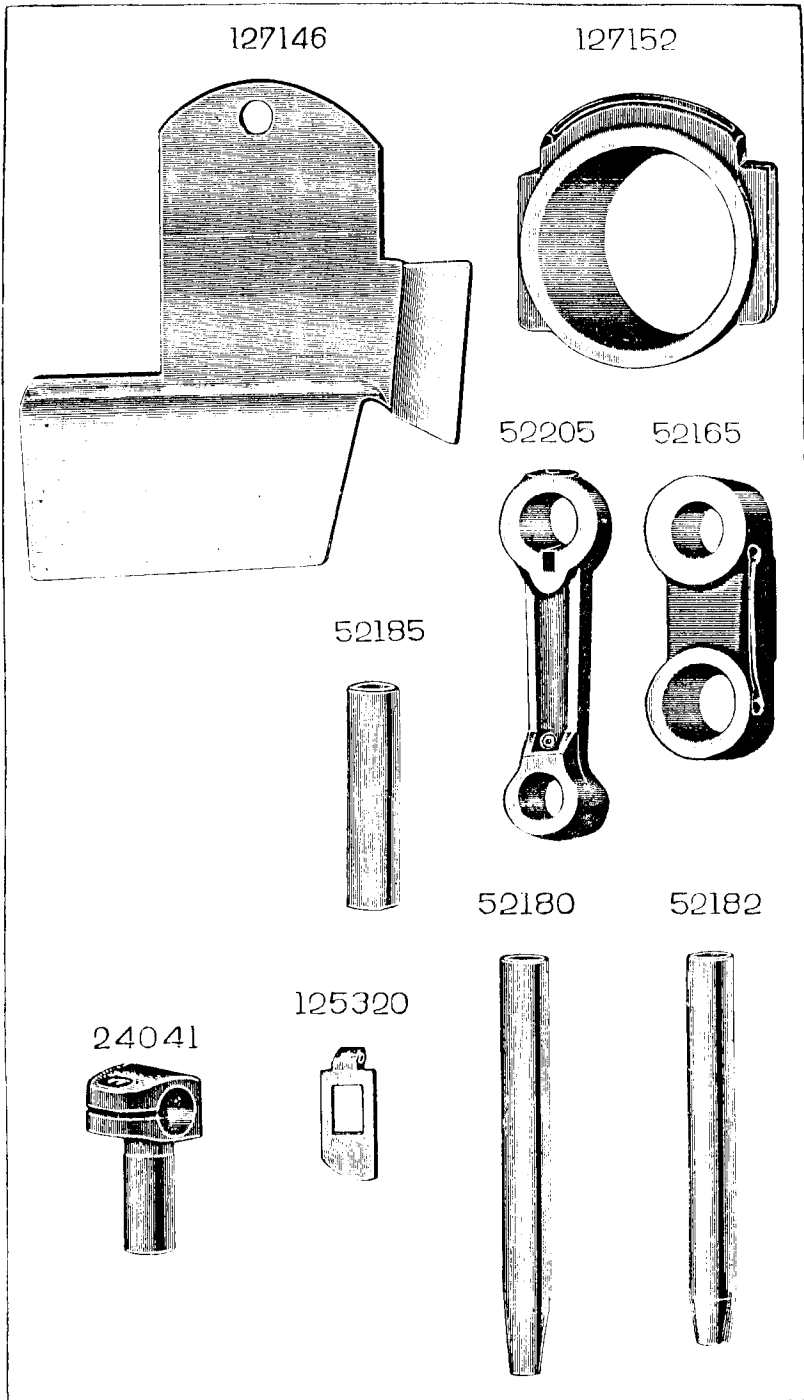




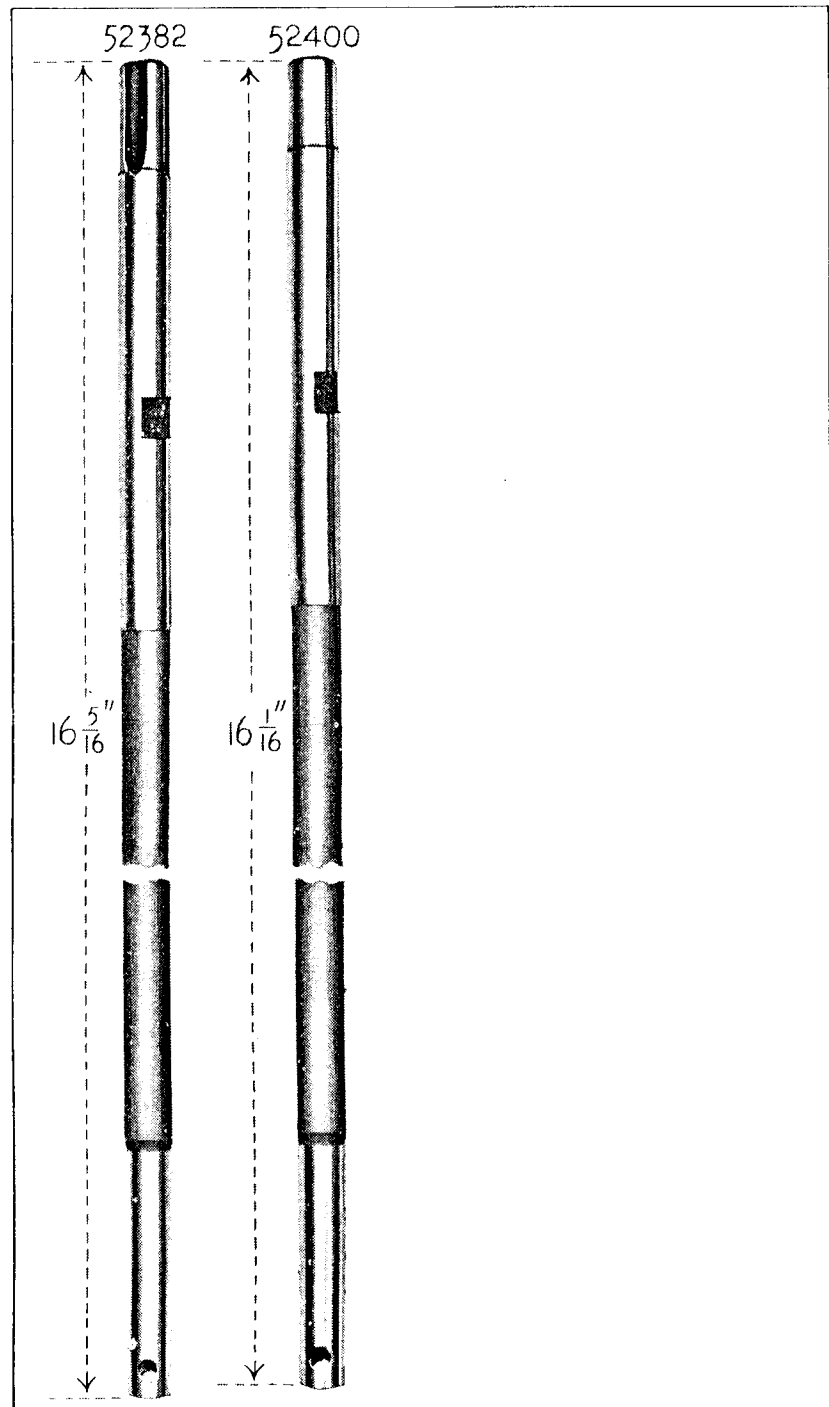
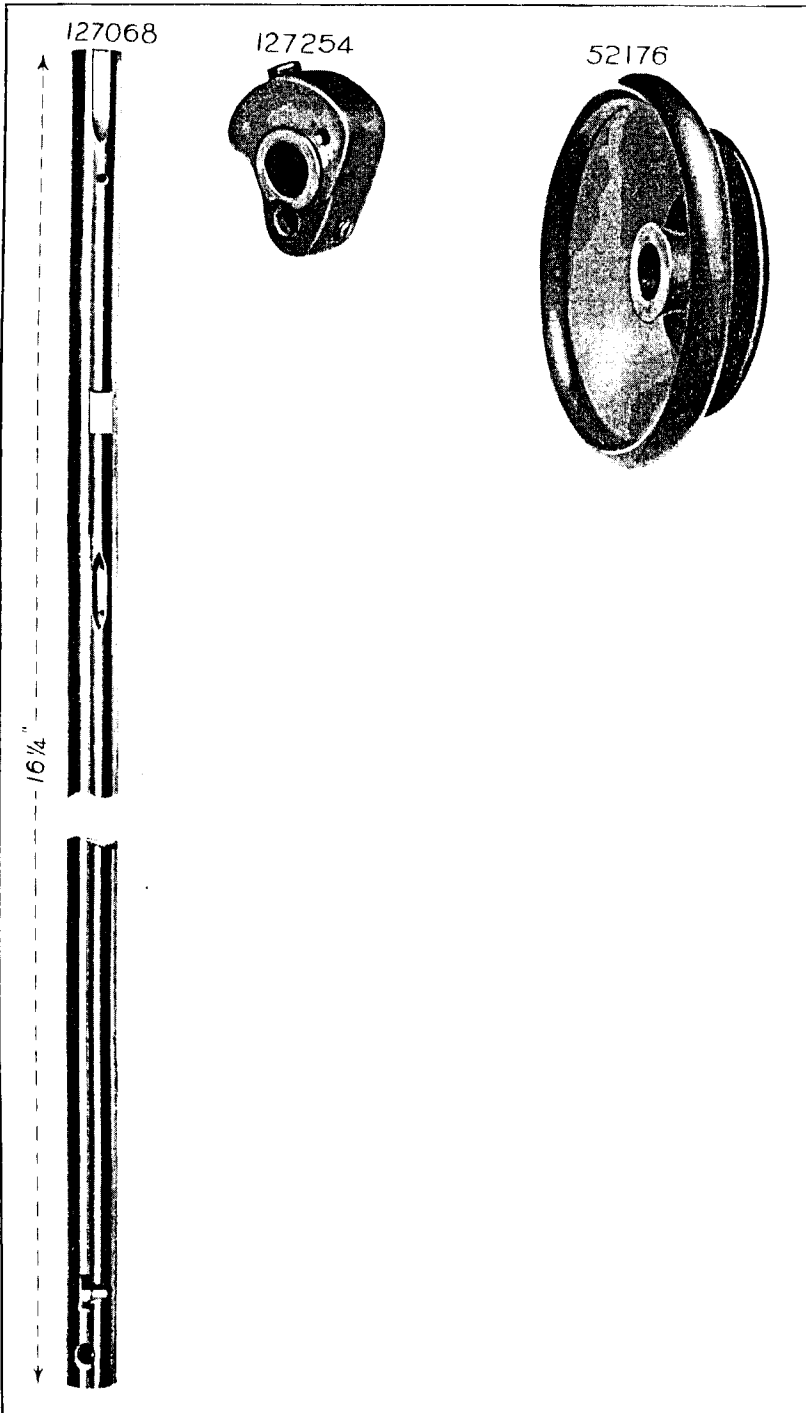




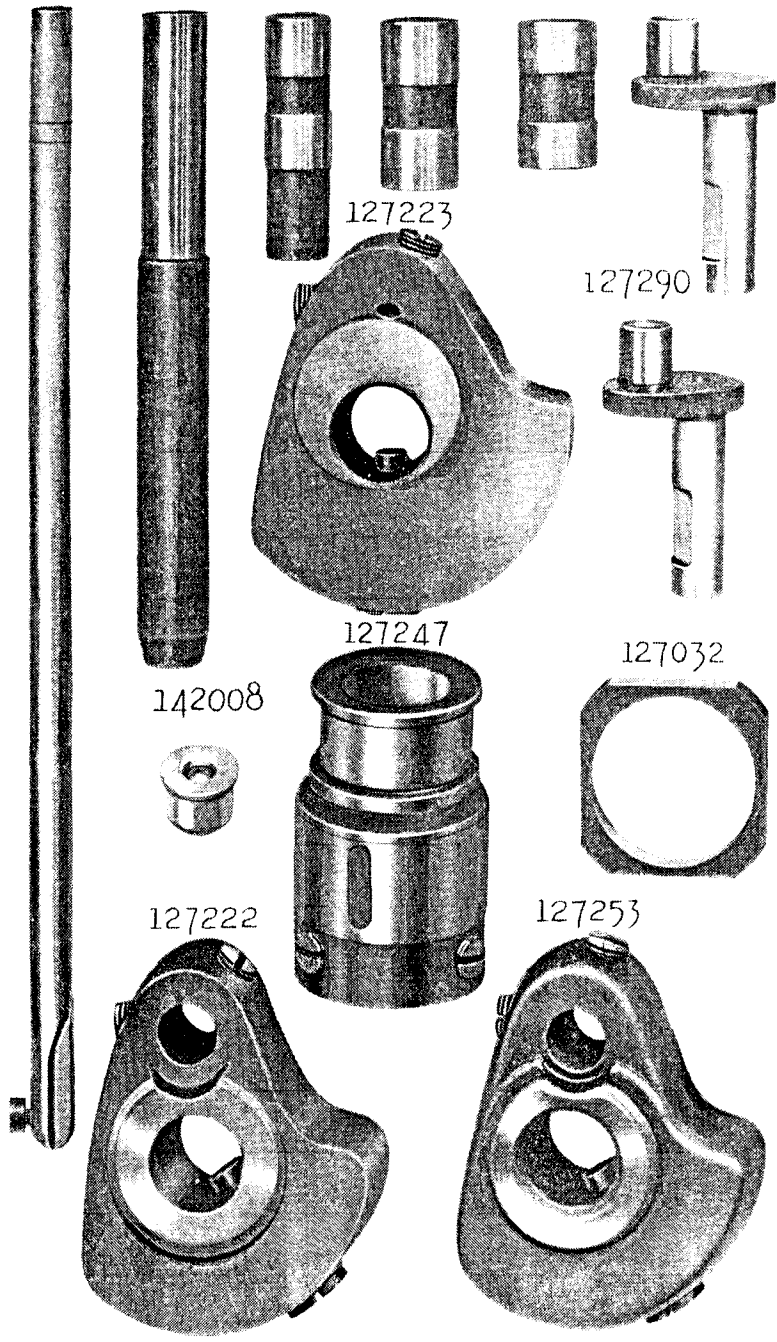








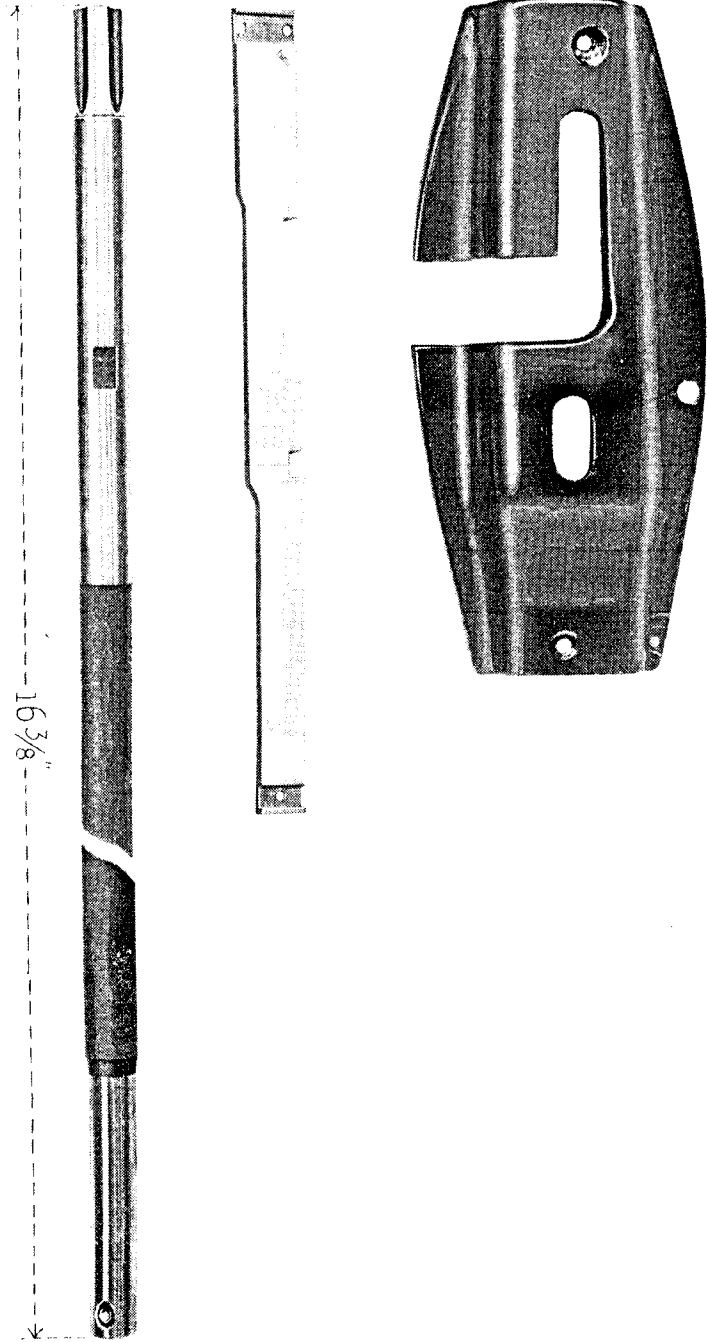
127135 52111 52200 127230 127305 52216

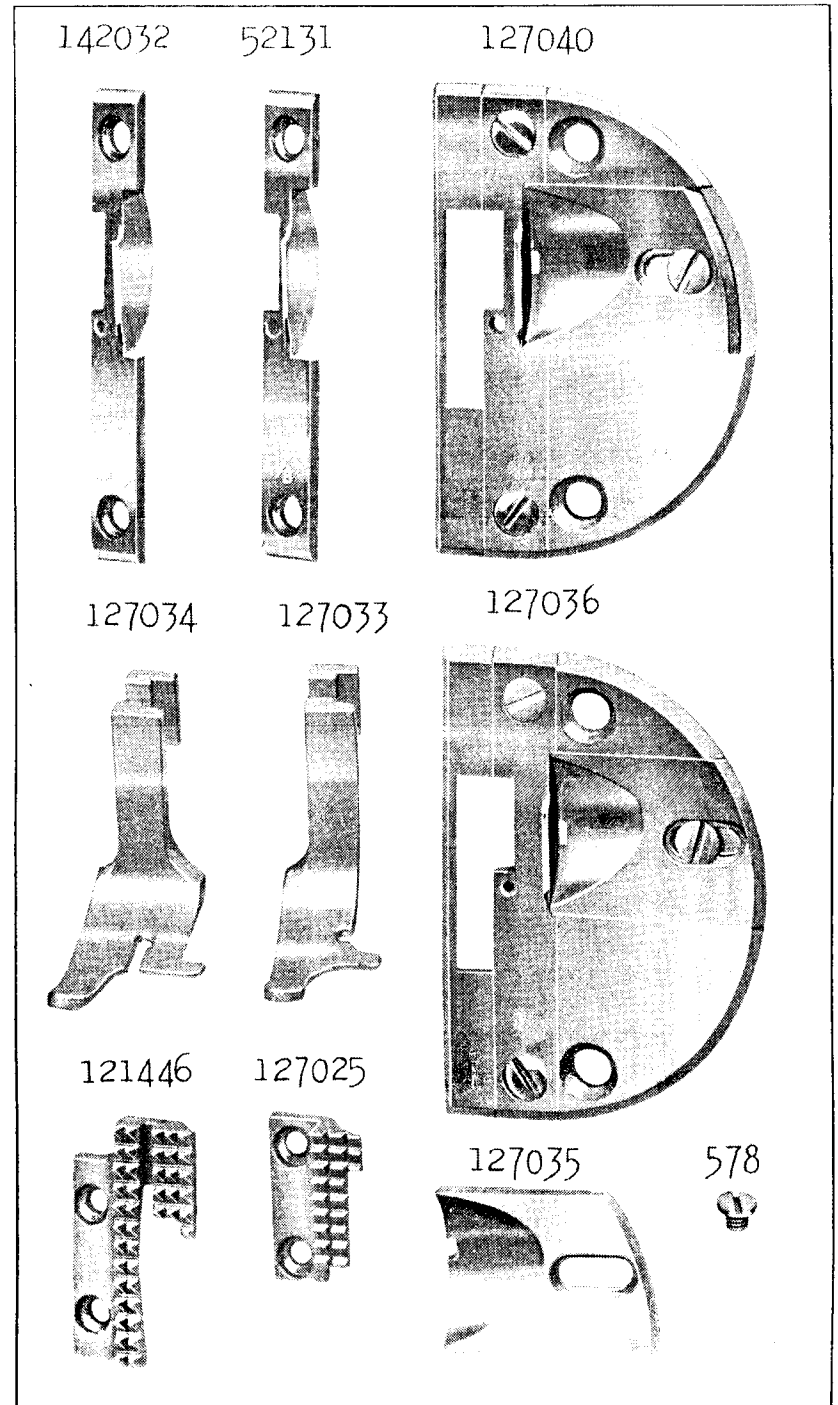
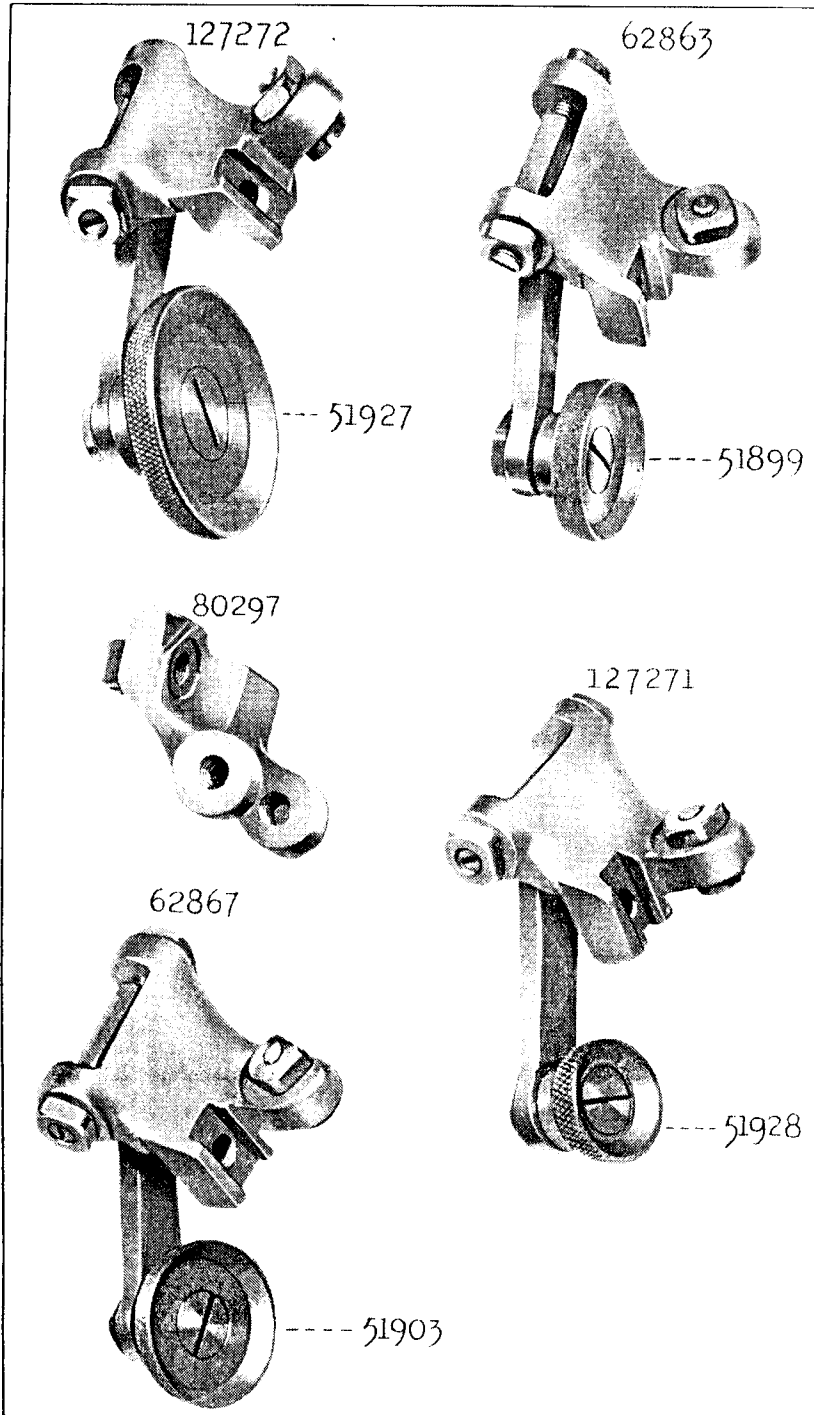


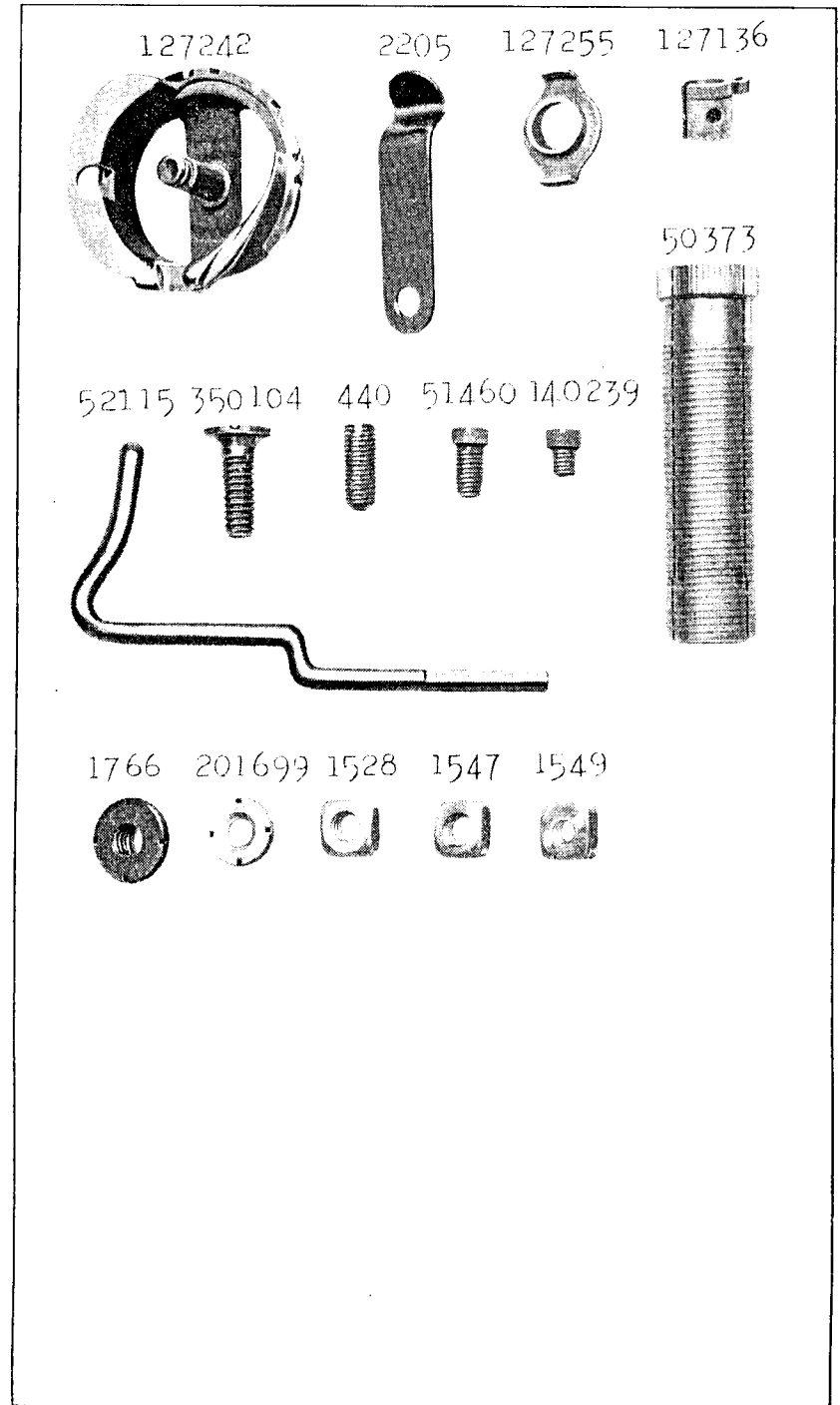
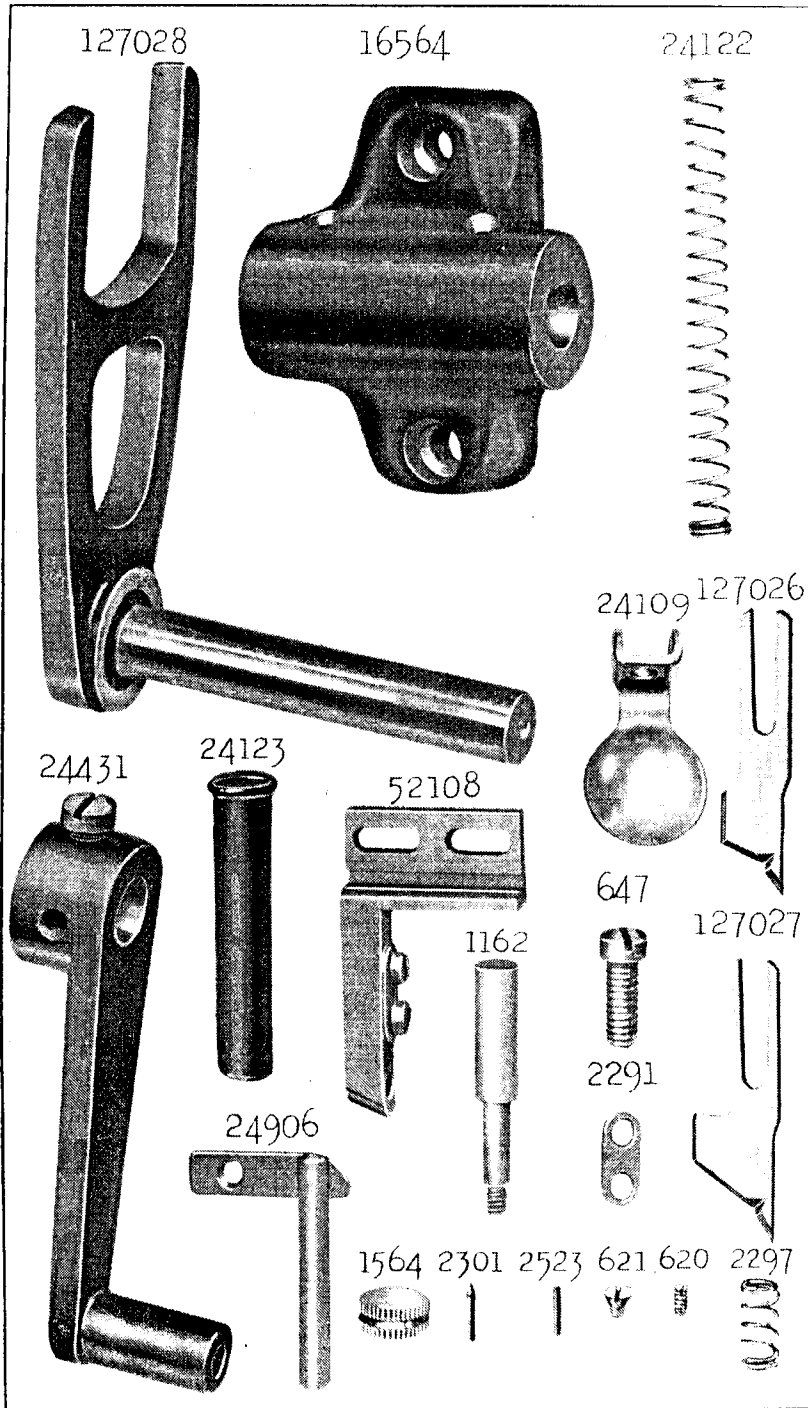
127024

52104

52102







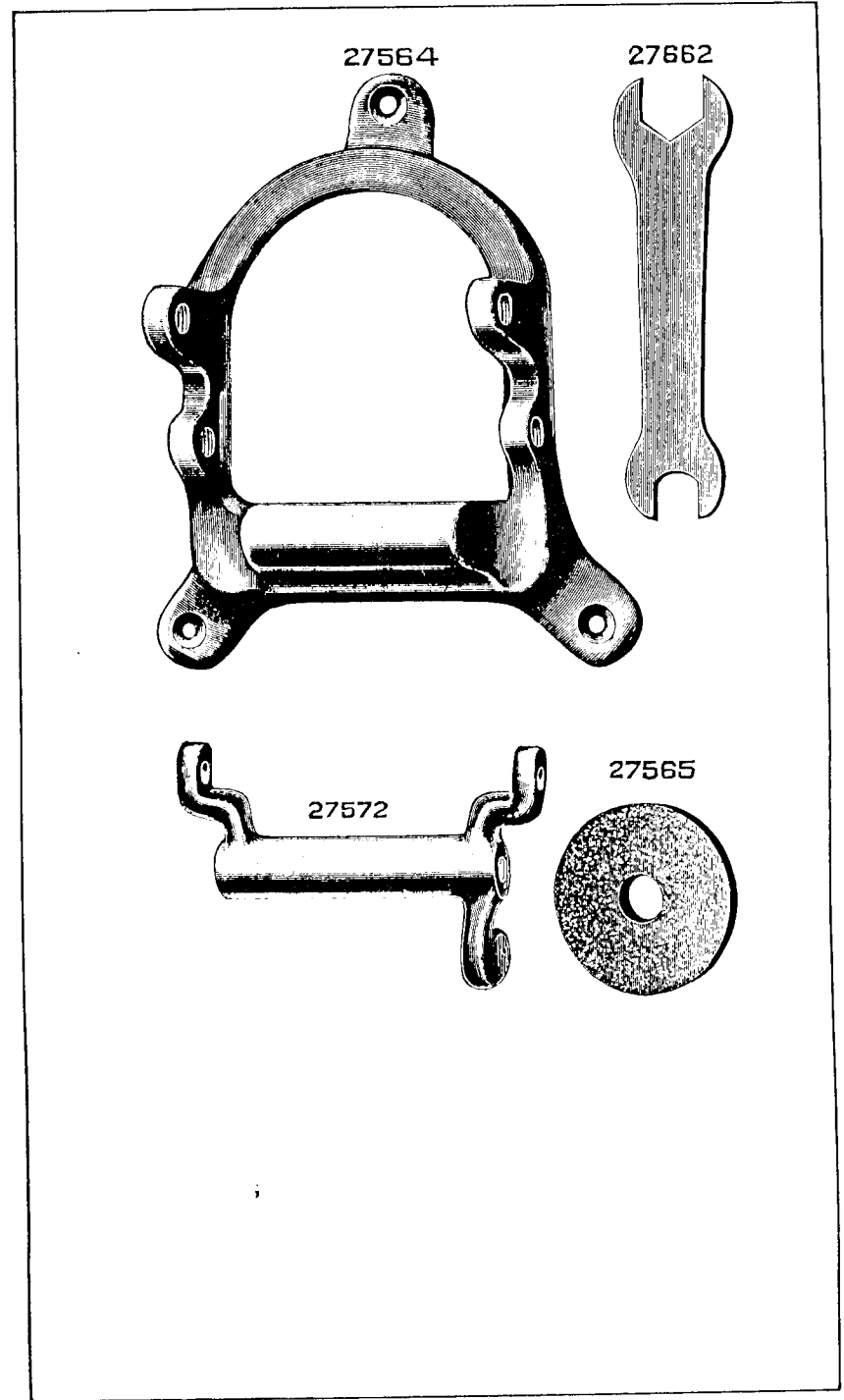
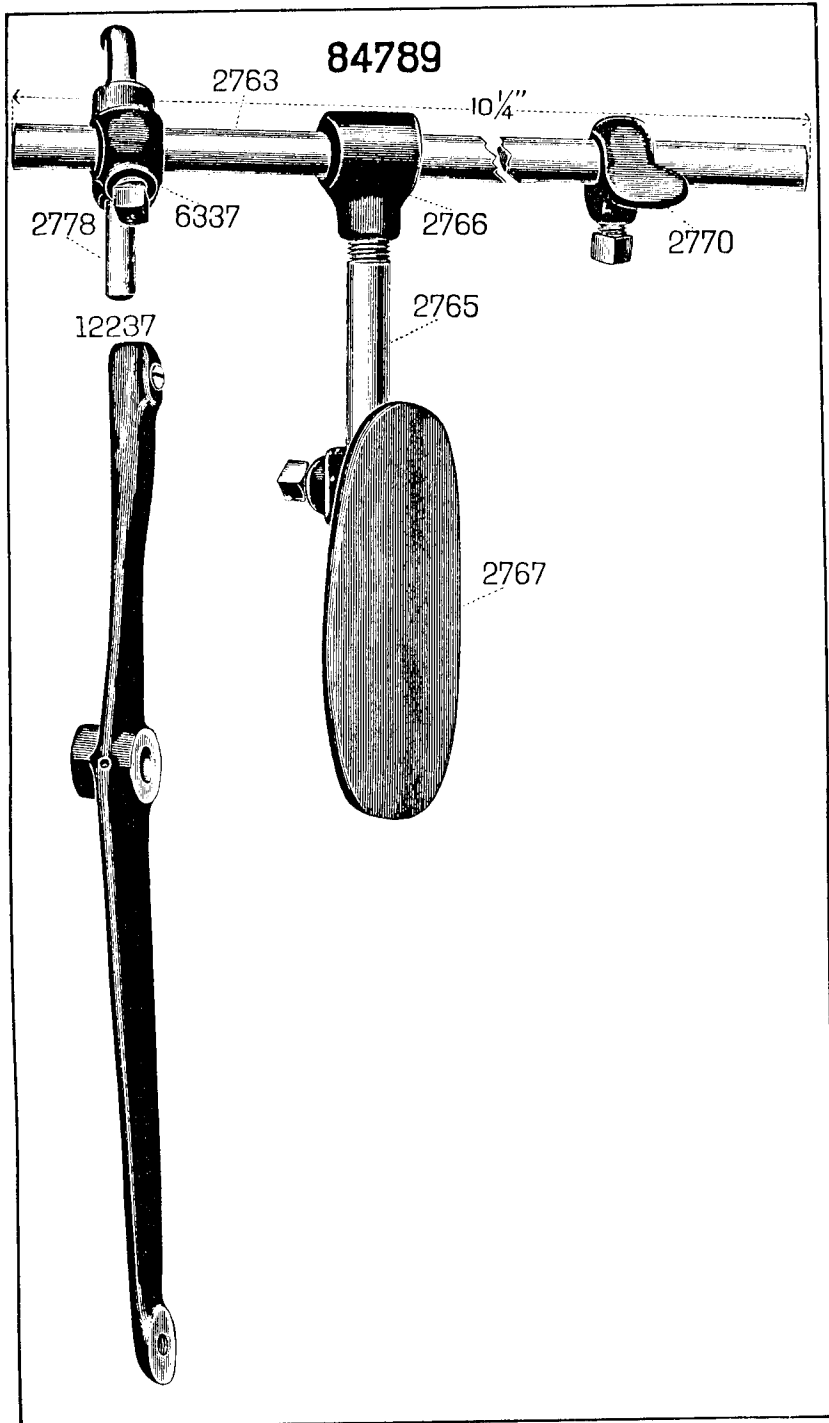
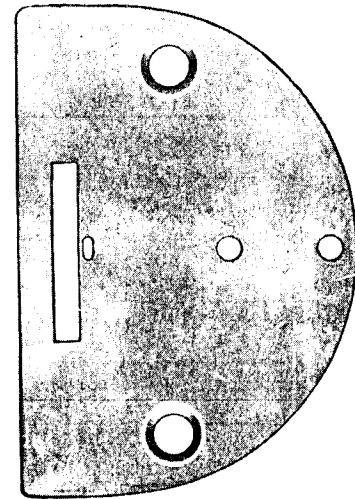
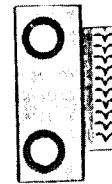


PLATE 7699—FULL SIZE

24443

12436



12438

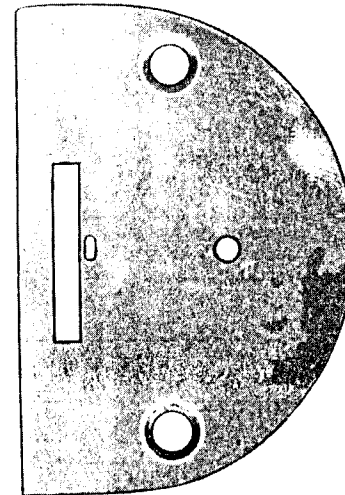


PLATE 7703—FULL SIZE

120063

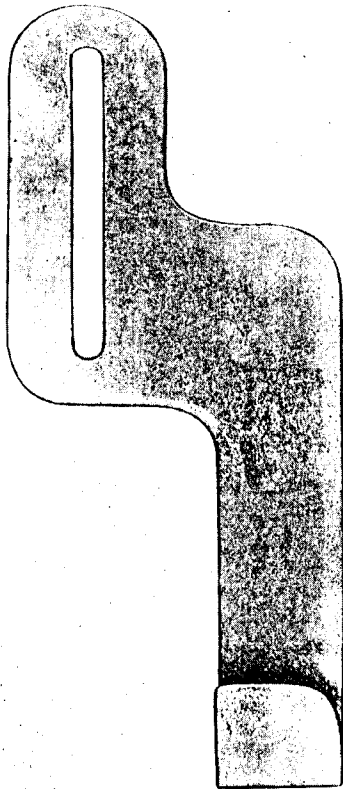
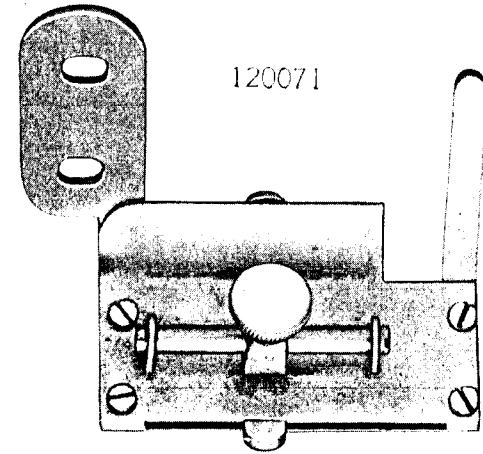


PLATE 7704—FULL SIZE

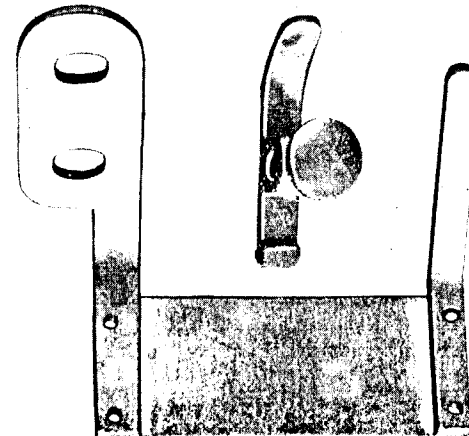


120071

120067

120068

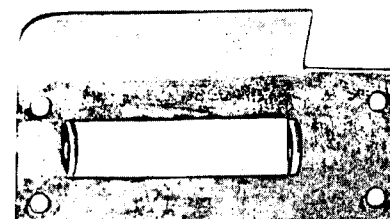
120069



291



120070



1423

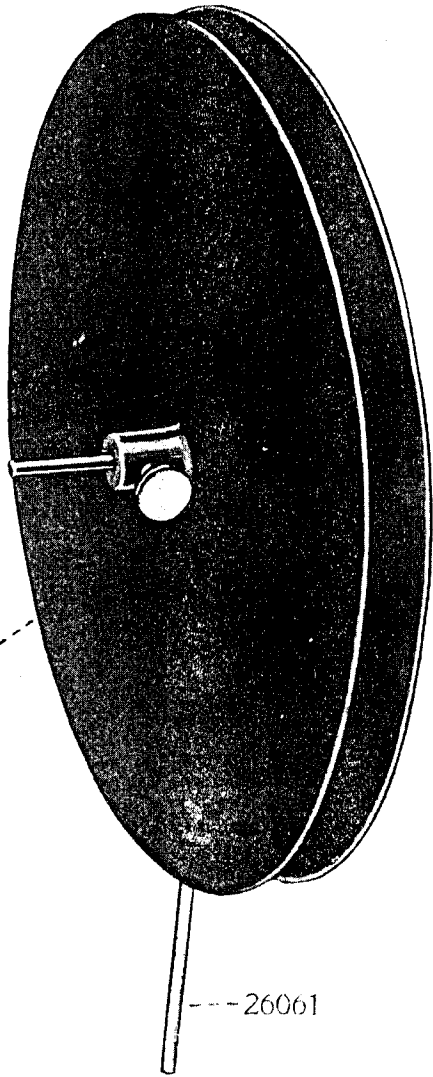


50169



PLATE 7708—ONE-HALF SIZE

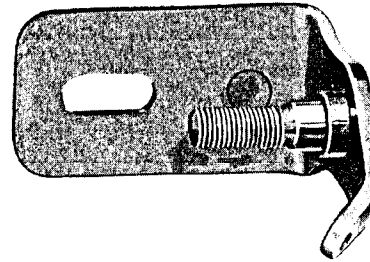
26063



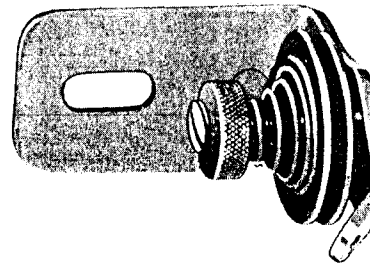
26062

26061

225461



225462



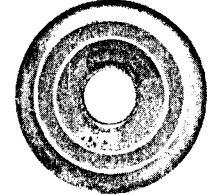
200082



202104



2102



202407



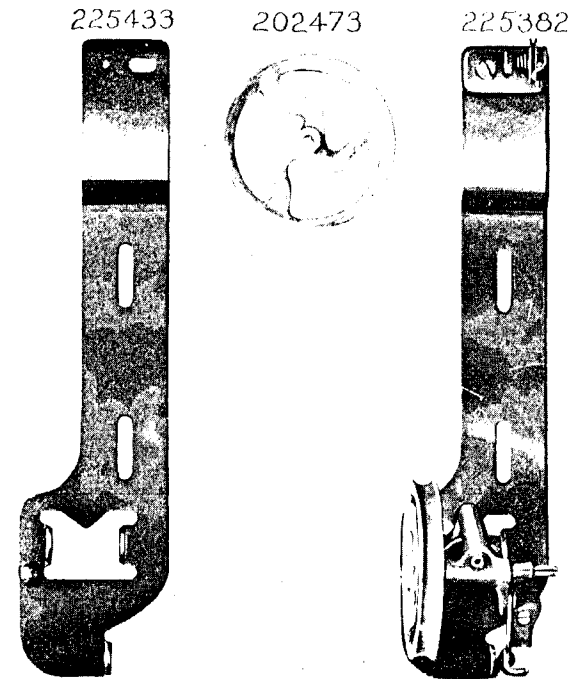
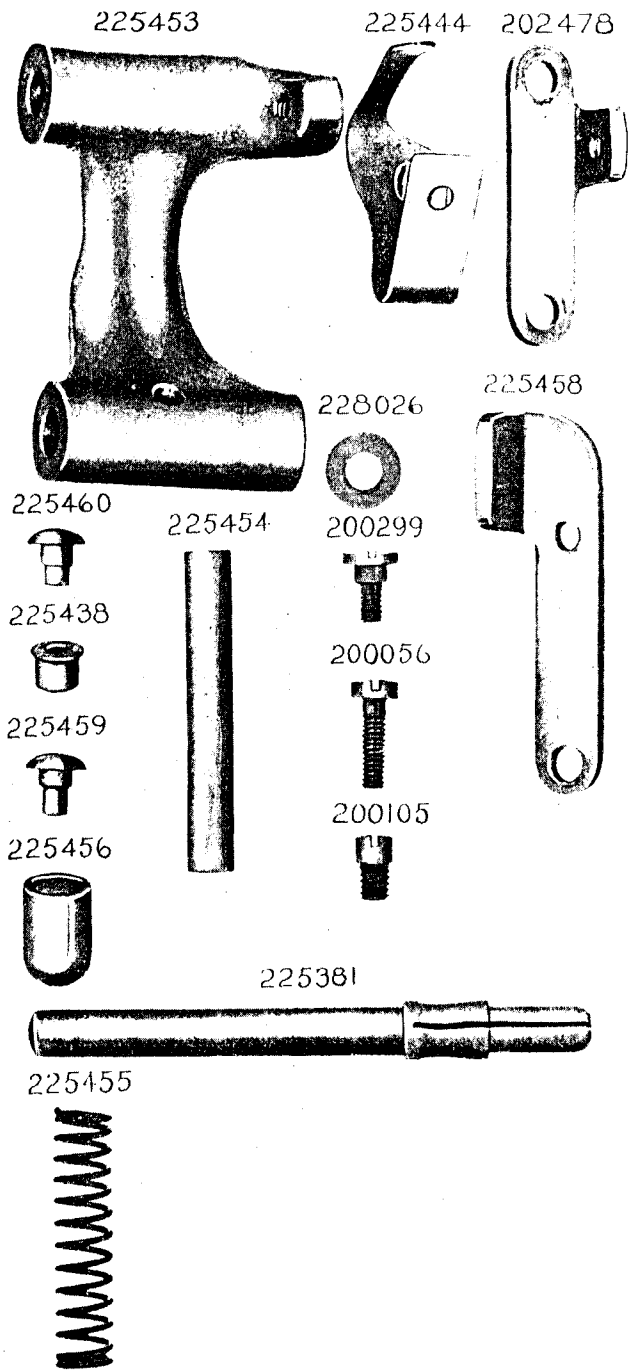
201499

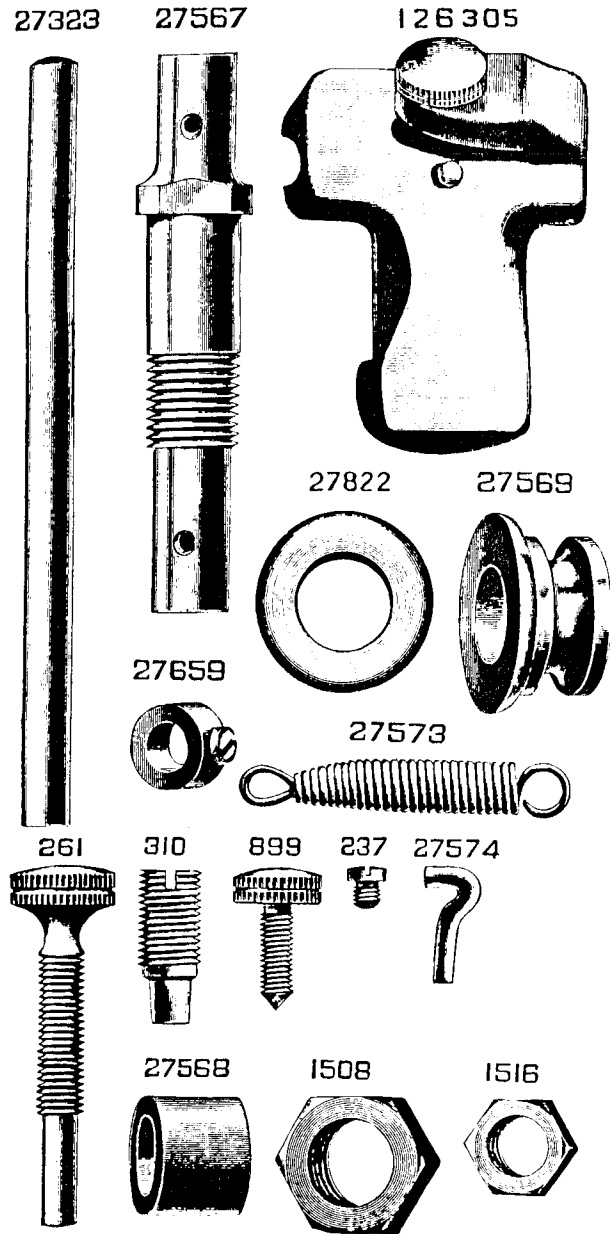


201572









ILLUSTRATED  
LIST OF PARTS

FOR

Nos. 96K40 to 96K45  
and 96K60 Machines

# CONTENTS

	Page
Parts, complete, for 96K40 Machine ... ..	73
"    "    " 96K41 " ... ..	81
"    "    " 96K42 " ... ..	89
"    "    " 96K43 " ... ..	97
"    "    " 96K44 " ... ..	105
"    "    " 96K45 " ... ..	113
"    "    " 96K60 " ... ..	121
Accessories ... ..	131
Attachments ... ..	135
Bobbin Winders ... ..	132
Iron Base ... ..	131
Knee Lifter ... ..	144
Knife Grinder ... ..	145
Numerical List of Parts ... ..	149
Tape Holder ... ..	131
Thread Unwinder ... ..	146

## INSTRUCTIONS FOR ORDERING

In ordering from this List, the prefix and affix letters with the part number **MUST BE** quoted exactly as they are shown in the first column.

A number always indicates the same part in whatever List it may appear, or for whatever machine.

The affix letters (where shown) indicate the style of finish, as follows:—

- A. Hardened, Polished, Nickel Plated and Buffed.
- A.A. Buffed and Chromium Plated.
- A.B. Hardened, Polished, Buffed and Chromium Plated.
- A.C. Brown Baking Enamel Finish.
- A.D. Grey Baking Enamel Finish.
- A.E. Hardened, Bright Rumbled and Nickel Plated.
- A.F. Hardened, Bright Rumbled and Nickel Plated, Bright Rumbled and Chromium Plated.
- A.L. Heat Treated for Toughness.
- B. Polished, Nickel Plated and Buffed.
- C. Hardened only.
- C.R. Hardened and Merlized.
- D. Polished only.
- E. Soft, not Polished.
- F. Hardened and Polished.
- F.J. Hardened, Polished and Nickel Plated.
- G. Bright Rumbled and Nickel Plated.
- H. Blue.
- J. Nickel Plated only.
- K. Hardened and Nickel Plated.
- L. Brass Plated.
- M. Oxidized.
- N. Japanned, Dull.
- P. Japanned, Bright.
- P.P. Wrinkle Finish.
- R. Merlized.
- S. Cadmium Plated.
- T. Copper Plated.
- T.A. Hardened, Polished, Copper and Nickel Plated and Buffed.
- T.B. Copper and Nickel Plated and Polished.
- T.J. Copper and Nickel Plated only.
- T.K. Hardened, Copper and Nickel Plated.
- T.L. Copper and Brass Plated.
- T.M. Copper Plated and Oxidized.
- U. Zinc Plated.
- V. Silver Plated.
- W. Polished and Nickel Plated.
- X. Black Oxide for Iron and Steel.
- X.C. Hardened and Black Oxide for Iron and Steel.
- Y. Black Nickel Plated only.
- Z. Chromium Plated.
- Z.A. Hardened, Polished, Nickel Plated, Buffed and Chromium Plated.
- Z.B. Polished, Nickel Plated, Buffed and Chromium Plated.
- Z.C. Hardened and Chromium Plated.
- Z.D. Polished and Chromium Plated.
- Z.G. Bright Rumbled, Nickel Plated, Bright Rumbled and Chromium Plated.
- Z.J. Nickel and Chromium Plated.
- Z.T. Copper and Chromium Plated.

Parts marked with an asterisk (\*) are furnished only when the repairs are made at Factory.

## PARTS COMPLETE FOR No. 96K40 MACHINE

For Cloaks, Clothing and other work in Cloth. Maximum Stitch 5 to the inch. Drop Feed. Knee Lifter.

No.	Plate							
*127213	--	Arm	with 15404, two each 15405 and 56015	...	...	...	...	...
<i>NOTE. -Due to the accuracy required for gear alignment, Arm cannot be supplied separately and can only be sent out as a unit, Arm and Bed assembled.</i>								
16532	2032	Arm Dowel Pin (2)	...	...	...	...	...	...
52182	2066	" Oil Tube with 52184, for oiling 52205	...	...	...	...	...	...
52183	2064	" " " " 52184, " " 52024, for 127193 and	...	...	...	...	...	150460
52180	2066	" " " (long) with 52184, for oiling 52022	...	...	...	...	...	...
52185	2066	" " " (short) " 42367, " " 52022	...	...	...	...	...	...
127187	2040	" " " with 42367, for oiling 127152, for 127193 and	...	...	...	...	...	150460
52148	2039	" " " ... ..	...	...	...	...	...	...
52149	—	" " " 52148 with 52150, for oiling 127072 and 127074	...	...	...	...	...	...
56015	2033	" " " for oiling 127058 (2)	...	...	...	...	...	...
52150	2039	" " " Packing (braided cotton) for 52149	...	...	...	...	...	...
42367	2064	" " " " ( " " ) " 52185 and 127187	...	...	...	...	...	...
52184	2064	" " " " (cotton wick) for 52180, 52182, 52183, and 127191	...	...	...	...	...	...
116c	1324	" Screw (back) (2)	...	...	...	...	...	...
854c	2035	" " (front) (2)	...	...	...	...	...	...
127047	1815	Arm Shaft (horizontal)	...	...	...	...	...	...
88615	—	" " ( " ) 127047 with 127253	...	...	...	...	...	...
127072	2039	" " ( " ) Bevel Gear with two 1036c	...	...	...	...	...	...
127070	2029	" " ( " ) " " Case (two pieces) with 121c	...	...	...	...	...	...
121c	1324	" " ( " ) " " " Screw	...	...	...	...	...	...
1036c	2035	" " ( " ) " " Set Screw	...	...	...	...	...	...
52191	2040	" " ( " ) Flanged Bushing (back)	...	...	...	...	...	...
52192	--	" " ( " ) " " ( " ) 52191 with 52193 and 52194	...	...	...	...	...	...
52193	2040	" " ( " ) " " ( " ) Oil Pad (braided cotton)	...	...	...	...	...	...
52194	2064	" " ( " ) " " ( " ) Oil Pad (felt)	...	...	...	...	...	...
446c	1324	" " ( " ) " " ( " ) Set Screw	...	...	...	...	...	...
52195	2040	" " ( " ) " " (front)	...	...	...	...	...	...
52196	--	" " ( " ) " " ( " ) 52195 with 52193 and 52198	...	...	...	...	...	...

No.	Plate	
52198	2064	<b>Arm Shaft</b> (horizontal) Flanged Bushing (front) Oil Pad (felt)
52193	2040	" " ( " ) " " ( " ) " "
		(braided cotton)
435c	1324	" " ( " ) " " ( " ) Set Screw ...
68350	2039	" " ( " ) Front Bearing Oil Cup (spring lid) ...
144d	1324	" " ( " ) Screw ...
127058	2028	" " (upright) ...
127073	2039	" " ( " ) Bevel Gear (lower) with two 1259c ...
1259c	2035	" " ( " ) " " ( " ) Set Screw ...
127074	2039	" " ( " ) " " (upper) with two 1259c ...
1259c	2035	" " ( " ) " " ( " ) Set Screw ...
52492	2039	" " ( " ) Bushing (lower) ...
432c	1324	" " ( " ) " ( " ) Set Screw ...
52493	2039	" " ( " ) " (upper) ...
435c	1324	" " ( " ) " ( " ) Set Screw ...
127146	2066	" Side Cap ...
219d	1324	" " " Screw ...
127079	2028	" " Cover ...
50053d	2035	" " " Thumb Screw ...
52239	2064	" Spool Pin and Thread Eyelet ...
8879	1316	" " " Washer (cloth) ...
127192	2064	<b>Arm Top Cover</b> ...
127193	2064	" " " 127192 with 52183, 52239, 127187 and 127255
127255	2378	" " " Positioning Disc ...
158j	1324	" " " Screw ...
150459	2064	" " " Tension Bracket with 460c ...
158j	1324	" " " " " Screw ...
52239	2064	" " " " " Spool Pin ...
8879	1316	" " " " " " Washer (cloth) ...
2455	1688	" " " " " Disc ...
41593	1316	" " " " " Spring ...
41594	1316	" " " " " Stud ...
460c	1324	" " " " " Set Screw ...
41595	1316	" " " " " Thread Guide ...
150460	2064	<b>Arm Top Cover Tension Bracket</b> , complete, Nos. 41593 to 41595, 52183, 52239, 127187, 127255, 150459 and two 2455

NOTE.—No. 150460 is supplied with this machine unless No. 127193 is specified on order.

52187	2065	<b>Balance Wheel</b> (power, disc), 2 $\frac{3}{16}$ " pulley, with two 448c ...
52081	—	" " (stand, heavy rim) 2 $\frac{1}{8}$ " pulley, with two 448c
52063	2029	" " Oil Cover ...
210d	1324	" " " " Screw ...
448c	1324	" " " Set Screw ...

NOTE.—No. 52187 is supplied with this machine unless otherwise specified on order.

No.	Plate	
*52383	—	<b>Bed</b> ...
NOTE.—Due to the accuracy required for gear alignment, Bed cannot be supplied separately and can only be sent out as a unit, Arm and Bed assembled.		
12431	—	<b>Bed Slide</b> ...
12432	2028	" " complete, Nos. 4307, 12431 and two 725c ...
4307	2028	" " Spring ...
725c	1324	" " " Screw ...
52051	—	<b>Face Plate</b> ...
176d	559	" " Screw ...
52053	2030	" " Thread Guard (lower) ...
226d	1324	" " " " ( " ) Screw ...
52170	—	" " " " (upper) ...
226d	1324	" " " " ( " ) Screw ...
50190d	2035	" " Thumb Screw ...
52052	2028	<b>Face Plate</b> , complete, Nos. 52051, 52053, 52170 and two 226d ...
52452	2028	<b>Feed Bar</b> ...
313c	1324	" " Screw Centre (2) ...
1519c	2031	" " " " Nut (2) ...
52165	2066	" Connecting Link ...
375c	1324	" " " Hinge Screw ...
1518c	2034	" " " " " Nut ...
52073	2032	" " " " Stud ...
50083c	2035	" " " " Set Screw ...
44136	1510	<b>Feed Dog</b> for tailor work ...
12457	2036	" " " cloth, 16 teeth (16 teeth to the inch) ...
12450	2036	" " " " 11 " (18 " " " " ) ...
20158	2030	" " " shirt work, 17 teeth (16 teeth to the inch) ...
20162	2036	" " " " bevelled for hemmer, 17 teeth (16 teeth to the inch) ...
12481	2036	" " " general work, 18 teeth (16 teeth to the inch) ...
50147c	2035	" " Screw (2) ...
NOTE.—Feed Dog No. 44136 is sent with this machine unless otherwise specified on order.		
127202	—	<b>Feed and Feed Lifting Eccentric</b> with 448c, 1299c, 52210 and 52211
127225	—	" " " " " 127202 with 127152 ...
52210	—	" " " " " Lubricating Pad (wood, long)
52211	—	" " " " " " " ( " short)
1299c	2040	" " " " " Position Screw ...
448c	1324	" " " " " Set Screw ...
127152	2066	" " " " " Sleeve ...
20284	2029	<b>Feed Forked Connection</b> ...
52393	—	" " " 20284 with 375c, 1518c and 52165 ...
375c	1324	" " " Hinge Screw ...
1518c	2034	" " " " " Nut ...

No.	Plate							
52384	2029	<b>Feed Lifting Rock Shaft</b>	...	...	...	...	...	...
127156	2065	" " " "	Connecting Rod with 127157 and two					966e
*127157	—	" " " "	" " Cap	...	...	...	...	...
966c	2035	" " " "	" " Screw	...	...	...	...	...
375c	1324	" " " "	" " Hinge Screw	...	...	...	...	...
1518c	2034	" " " "	" " " " Nut	...	...	...	...	...
12376	2032	" " " "	Crank with 157c and 1813	...	...	...	...	...
157c	1324	" " " "	" Clamping Screw	...	...	...	...	...
1813	2034	" " " "	" Roller and Stud	...	...	...	...	...
50191c	2034	" " " "	Screw Centre (2)	...	...	...	...	...
1513j	1317	" " " "	" " Nut (2)	...	...	...	...	...
52385	—	<b>Feed Lifting Rock Shaft, complete, Nos. 12376 and 52384</b>	...	...	...	...	...	...
52074	2033	<b>Feed Regulator with 50083c</b>	...	...	...	...	...	...
52118	—	" " 52074 with 52073	...	...	...	...	...	...
52093	—	" " 52118 with 818d	...	...	...	...	...	...
1128c	2035	" " Hinge Screw	...	...	...	...	...	...
818d	2035	" " Thumb Screw	...	...	...	...	...	...
52386	2029	<b>Feed Rock Shaft</b>	...	...	...	...	...	...
29633	2032	" " " "	Crank with 157c	...	...	...	...	...
157c	1324	" " " "	" Clamping Screw	...	...	...	...	...
50191c	2034	" " " "	Screw Centre (2)	...	...	...	...	...
1513j	1317	" " " "	" " Nut (2)	...	...	...	...	...
52387	—	<b>Feed Rock Shaft, complete, Nos. 29633 and 52386</b>	...	...	...	...	...	...
25866	2031	<b>Guide</b> ...	...	...	...	...	...	...
50190b	2035	" Thumb Screw	...	...	...	...	...	...
127088	2040	<b>Needle Bar (hollow)</b>	...	...	...	...	...	...
127116	—	" " 127088 with 229d, 52306 and 52307	...	...	...	...	...	...
127230	2373	" " Bushing (lower)	...	...	...	...	...	...
1133c	2035	" " " ( " ) Set Screw	...	...	...	...	...	...
52014	2039	" " " (upper)	...	...	...	...	...	...
1133c	2035	" " " ( " ) Set Screw	...	...	...	...	...	...
52205	2066	" " Connecting Link with 52207	...	...	...	...	...	...
52206	—	" " " 52205 with 24041	...	...	...	...	...	...
775e	2035	" " " " Cap Screw	...	...	...	...	...	...
52207	—	" " " " Lubricating Pad (wood)	...	...	...	...	...	...
24041	2066	" " " Stud with 207c	...	...	...	...	...	...
207c	1688	" " " " Clamping Screw	...	...	...	...	...	...
127253	2373	" " Crank with 1036c, 1037c and 1065c	...	...	...	...	...	...
1065c	2035	" " " " Position Screw	...	...	...	...	...	...
52306	2032	" " Thread Guard	...	...	...	...	...	...
229d	2035	" " " " Screw	...	...	...	...	...	...
52307	2039	" Clamp with 51460f	...	...	...	...	...	...
51460f	2378	" " Screw	...	...	...	...	...	...

No.	Plate							
*52201	2064	<b>Oil Absorbent Wick</b>	...	...	...	...	...	...
52202	2064	" " " 52201, with 52203, for lower cavity in						head of arm
*52203	2040	" " " Wire	...	...	...	...	...	...
127191	—	<b>Oil Tube, with 52184</b>	...	...	...	...	...	...
127091	2040	" " Bracket	...	...	...	...	...	...
127092	—	" " " 127091, with 127191, for oiling 52165	...	...	...	...	...	...
12391	2028	<b>Presser Bar (hollow)</b>	...	...	...	...	...	...
52338	1316	" " Guide Bracket with 223c and 453c	...	...	...	...	...	...
453c	1316	" " " " Set Screw	...	...	...	...	...	...
52016	1316	" " Lifter	...	...	...	...	...	...
689c	1316	" " " Screw	...	...	...	...	...	...
1520r	1317	" " " " Nut	...	...	...	...	...	...
12327	1316	" " Lifting and Releasing Lever Bracket	...	...	...	...	...	...
127108	2029	" " Spring	...	...	...	...	...	...
11170	1316	" " " Washer	...	...	...	...	...	...
7298	2032	<b>Presser Foot Hinge Pin</b>	...	...	...	...	...	...
19334	—	" " Plate	...	...	...	...	...	...
19335	—	" " Shank	...	...	...	...	...	...
19336	2030	<b>Presser Foot (hinged), complete, Nos. 7298, 19334 and 19335</b>	...	...	...	...	...	for 44136
20458	2030	" " for 44136	...	...	...	...	...	...
12142	2030	" " " 20458	...	...	...	...	...	...
12260	2030	" " " 12450	...	...	...	...	...	...
12474	2030	" " " 20162	...	...	...	...	...	...
190d	1324	" " Screw	...	...	...	...	...	...
<i>NOTE.—Presser Foot No. 20458 is sent with this machine unless otherwise specified on order.</i>								
688j	1324	<b>Pressure Regulating Thumb Screw</b>	...	...	...	...	...	...
127095	2039	<b>Rotating Hook with three 1253c</b>	...	...	...	...	...	...
127096	—	" " 127095 with 127102 and four 1053c	...	...	...	...	...	...
*127239	—	" " 127096 " 40274, 127242 and three 1367d	...	...	...	...	...	...
127097	—	" " 127096 " 40274 and three 1367d (for agents	...	...	...	...	...	only)
127240	—	" " 127239 " 52237	...	...	...	...	...	...
40264	2032	" " Bobbin	...	...	...	...	...	...
52235	—	" " " Case	...	...	...	...	...	...
52236	—	" " " 52235 with 591f, 1380d and 40394	...	...	...	...	...	...
40393	—	" " " Hinge, Nos. 2974, 40392 and 125320	...	...	...	...	...	...
127242	2378	" " " " Holder	...	...	...	...	...	...
52018	2032	" " " " " Position Bracket	...	...	...	...	...	...
704j	1324	" " " " " " Screw	...	...	...	...	...	...
40392	2032	" " " " " Latch	...	...	...	...	...	...

No.	Plate						
125320	2066	<b>Rotating Hook</b>	Bobbin Case Latch Lever	...	...	...	...
2974	2032	"	"	"	"	"	Fulcrum Pin
2975	2032	"	"	"	"	"	Spring
592e	1324	"	"	"	"	"	Stop Screw
591f	1324	"	"	"	"	"	Tension Regulating Screw
40394	2032	"	"	"	"	"	Spring
1380d	2035	"	"	"	"	"	Screw
52237	2032	"	"	"	"	"	complete, Nos. 592e, 2975, 40393 and 52236
127241	—	"	"	"	"	"	52237 with 127242 (for agents only)
40274	2032	"	"	"	"	"	Section
1367d	2035	"	"	"	"	"	Screw
1253c	2035	"	"	"	"	"	Set Screw
127059	2065	"	"	"	"	"	Shaft
127073	2039	"	"	"	"	"	Bevel Gear with two 1259e
127007	2029	"	"	"	"	"	Case (two pieces) with 121e and 50234d
50234d	2035	"	"	"	"	"	Plug Screw
121e	1324	"	"	"	"	"	Screw
1259c	2035	"	"	"	"	"	Set Screw
127004	2039	"	"	"	"	"	Bushing (back)
127043	—	"	"	"	"	"	( " ) 127004 with 52045
52045	2032	"	"	"	"	"	( " ) Packing (cotton)
1143c	2035	"	"	"	"	"	( " ) Set Screw
127005	2039	"	"	"	"	"	(front)
127044	—	"	"	"	"	"	( " ) 127005 with 52045
142008	2373	"	"	"	"	"	( " ) Oil Cup
52045	2032	"	"	"	"	"	( " ) Packing (cotton)
1148c	2035	"	"	"	"	"	( " ) Set Screw
127102	2039	"	"	"	"	"	Thread Guard
1053e	2035	"	"	"	"	"	Screw
52337	1316	<b>Slack Thread Regulator</b>	...	...	...	...	...
223c	1316	"	"	"	"	"	Set Screw
2102	2032	<b>Tension Disc</b>	...	...	...	...	...
1560c	2034	"	"	"	"	"	Regulating Thumb Nut
32572	2032	"	"	"	"	"	Releasing Disc
43944	1316	"	"	"	"	"	Lever
12398	1316	"	"	"	"	"	Hinge Pin
12329	1316	"	"	"	"	"	Spring
32574	2032	"	"	"	"	"	Pin
2103	2032	"	"	"	"	"	Spring
50304c	2034	"	"	"	"	"	Stud
50305c	2035	"	"	"	"	"	Set Screw
52397	—	<b>Tension</b> , complete, Nos. 1560c, 2103, 32572, 32574, 50304c, 52083, 52394 and two 2102	...	...	...	...	...

No.	Plate						
52027	2022	<b>Thread Guard</b> (side of arm)	...	...	...	...	...
52454	2030	"	Retainer	...	...	...	...
624c	2035	"	"	Set Screw	...	...	...
52215	—	<b>Thread Take-up</b> , complete, Nos. 11204, 52025 and 52217	...	...	...	...	...
52216	2373	<b>Thread Take-up Crank</b>	...	...	...	...	...
52217	—	"	"	"	"	"	52216 with 775c and 52206
1037c	2035	"	"	"	"	"	Position Screw
1036c	2035	"	"	"	"	"	Set Screw
52022	1503	<b>Thread Take-up Lever</b> with 52130	...	...	...	...	...
52023	2039	"	"	"	"	"	Hinge Pin
52024	2039	"	"	"	"	"	Link
11204	2033	"	"	"	"	"	Hinge Pin
435c	1324	"	"	"	"	"	Set Screw
52130	—	"	"	"	"	"	Thread Eyelet Bushing
52025	—	<b>Thread Take-up Lever</b> , complete, Nos. 52022 to 52024	...	...	...	...	...
52394	2039	<b>Thread Take-up Spring</b>	...	...	...	...	...
52083	2032	"	"	"	"	"	Regulator with 50305c
448c	1324	"	"	"	"	"	Set Screw
44137	1510	<b>Throat Plate</b> , large needle hole, for 44136	...	...	...	...	...
12411	2036	"	"	"	"	"	12457
19409	2036	"	"	"	"	"	20162
19410	2036	"	"	small	"	"	20162
12482	—	"	"	large	"	"	12481
12483	2036	"	"	small	"	"	12481
691f	1324	"	"	Screw (2)	...	...	...
<i>NOTE:—Throat Plate No. 44137 is sent with this machine unless otherwise specified on order.</i>							
*15404	—	<b>Trade Mark</b>	...	...	...	...	...
15405	—	"	"	Rivet	...	...	...
44212	—	<b>Drip Pan</b> with four $\frac{3}{4}$ " wire nails	...	...	...	...	...

## PARTS COMPLETE FOR No 96K41 MACHINE

**For Cloaks, Clothing, Overalls and other work in Cloth. Maximum Stitch  
5 to the inch. Reversible Feed. Knee Lifter.**

No.	Plate		...	...
*127214	-	Arm with 15404, two each 15405 and 56015	...	...

*NOTE. Due to the accuracy required for gear alignment, Arm cannot be supplied  
separately and can only be sent out as a unit, Arm and Bed assembled.*

16532	2032	Arm Dowel Pin (2)	...	...
52182	2066	" Oil Tube, with 52184, for oiling 52205	...	...
52183	2061	" " " " 52184, " " 52024, for 127193 and 150460	...	...
52180	2066	" " " (long), with 52184, for oiling 52022	...	...
52185	2066	" " " (short), with 42367, for oiling 52022	...	...
127487	2040	" " " with 42367, for oiling 127152, for 127193 and 150460	...	...
52148	2039	" " " ...	...	...
52149		" " " 52148, with 52150, for oiling 127072 and 127074	...	...
56015	2033	" " " for oiling 127058 (2)	...	...
52150	2039	" " " Packing (braided cotton) for 52149	...	...
42367	2064	" " " " ( " " ) " 52185 and 127187	...	...
52184	2064	" " " " (cotton wick) for 52180, 52182, 52183, and 127191	...	...
116e	1324	" Screw (back) (2)	...	...
854e	2035	" " (front) (2)	...	...

52382	2372	Arm Shaft (horizontal)	...	...
88616	-	" " ( " ) 52382, with 127253, for 52081 and 52187	...	...

*NOTE.—No. 127062 is supplied with this machine unless otherwise specified  
on order.*

52400	2372	Arm Shaft (horizontal)	...	...
88617	-	" " ( " ) 52400, with 127253, for 56017	...	...
127072	2039	" " ( " ) Bevel Gear with two 1036e	...	...
127070	2029	" " ( " ) " " Case (two pieces) with 121e	...	...
121e	1324	" " ( " ) " " " Screw	...	...
1036e	2035	" " ( " ) " " Set Screw	...	...
52191	2040	" " ( " ) Flanged Bushing (back)	...	...
52192	-	" " ( " ) " " ( " ) 52191 with 52193 and 52194	...	...



## No. 96K41 MACHINE PARTS

No.	Plate	
52401	1529	<b>Arm Shaft</b> (horizontal) Flanged Bushing (back) for 52405 ...
52193	2040	" " ( " ) " " ( " ) Oil Pad ...
		(braided cotton)
52194	2064	" " ( " ) " " ( " ) Oil Pad (felt)
446c	1324	" " ( " ) " " ( " ) Set Screw ...
52195	2040	" " ( " ) " " (front) ...
52196	—	" " ( " ) " " ( " ) 52195 with
		52193 and 52198
52193	2040	" " ( " ) " " ( " ) Oil Pad
		(braided cotton)
52198	2064	" " ( " ) " " ( " ) Oil Pad (felt)
435c	1324	" " ( " ) " " ( " ) Set Screw ...
68350	2039	" " ( " ) Front Bearing Oil Cup (spring lid) ...
144d	1324	" " ( " ) Screw ...
127058	2028	" " (upright) ...
127073	2039	" " ( " ) Bevel Gear (lower) with two 1259c ...
1259c	2035	" " ( " ) " " ( " ) Set Screw ...
127074	2039	" " ( " ) " " (upper) with two 1259c ...
1259c	2035	" " ( " ) " " ( " ) Set Screw ...
52492	2039	" " ( " ) Bushing (lower) ...
432c	1324	" " ( " ) " ( " ) Set Screw ...
52493	2039	" " ( " ) " (upper) ...
1149c	2035	" " ( " ) " ( " ) Set Screw ...
127146	2066	" Side Cap ...
219d	1324	" " " Screw ...
127079	2028	" " Cover ...
50053d	2035	" " " Thumb Screw ...
52239	2064	" Spool Pin and Thread Eyelet ...
8879	1316	" " " Washer (cloth) ...
127192	2064	<b>Arm Top Cover</b> ...
127193	2064	" " " 127192 with 52183, 52239, 127187 and 127255 ...
127255	2378	" " " Positioning Disc ...
158j	1324	" " " Screw ...
150459	2064	" " " Tension Bracket with 460c ...
158j	1324	" " " " " Screw ...
52239	2064	" " " " " Spool Pin ...
8879	1316	" " " " " Washer (cloth) ...
2455	1688	" " " " " Disc ...
41593	1316	" " " " " Spring ...
41594	1316	" " " " " Stud ...
460c	1324	" " " " " Set Screw ...
41595	1316	" " " " " Thread Guide ...

150460 2064 **Arm Top Cover Tension Bracket**, complete, Nos. 41593 to 41595, 52183, 52239, 127187, 127255, 150459 and two 2455

*NOTE.* No. 150460 is supplied with this machine unless No. 127193 is specified on order.

## No. 96K41 MACHINE PARTS

No.	Plate	
52187	2065	<b>Balance Wheel</b> (power, disc) $2\frac{3}{16}$ " pulley, with two 448c, for 127062
52081	—	" " (stand. heavy rim) $2\frac{11}{16}$ " pulley, with two 448c, for 127062
56017	2030	" " $2\frac{1}{4}$ " pulley for 52405 ...
52063	2029	" " Oil Cover ...
210d	1324	" " " " Screw ...
448c	1324	" " Set Screw ...

*NOTE.* No. 52187 is supplied with this machine unless otherwise specified on order.

\*52383 — **Bed** ...

*NOTE.* Due to the accuracy required for gear alignment, Bed cannot be supplied separately and can only be sent out as a unit, Arm and Bed assembled.

12431	—	<b>Bed Slide</b> ...
12432	2028	" " complete, Nos. 4307, 12431 and two 725c ...
4307	2028	" " Spring ...
725c	1324	" " " Screw ...

256j	2035	<b>Clamp Stop Motion Clamp Screw</b> ...
248a	2035	" " " " Stop Screw ...
2020	2033	" " " " Washer ...
*52403	—	" " " Flanged Bushing ...
52404	1529	" " " " " 52403 with two 50311c ...
2022	2033	" " " " " Pin ...
50311c	2035	" " " " " Set Screw ...

52405 — **Clamp Stop Motion**, complete, Nos. 248a, 256j, 2020 and 52404, for 56017 ...

52051		<b>Face Plate</b> ...
176d	559	" " Screw ...
52053	2030	" " Thread Guard (lower) ...
226d	1324	" " " " ( " ) Screw ...
52170		" " " " (upper) ...
226d	1324	" " " " ( " ) Screw ...
50190d	2035	" " Thumb Screw ...
52052	2028	<b>Face Plate</b> , complete, Nos. 52051, 52053, 52170 and two 226d ...

52452	2028	<b>Feed Bar</b> ...
313c	1324	" " Screw Centre (2) ...
1519e	2034	" " " " Nut (2) ...
52165	2066	" Connecting Link ...
375c	1324	" " " Hinge Screw ...
1518e	2034	" " " " Nut ...
52073	2032	" " " " Stud ...
50083c	2035	" " " " Set Screw ...

No.	Plate						
26603	1529	<b>Feed Dog</b>	...	...	...	...	...
28360	1529	" "	(15 conical teeth)	...	...	...	...
121446	2376	" "	(spiked teeth)	...	...	...	...
50117c	2035	" "	Screw (2)	...	...	...	...
<i>NOTE.—Feed Dog No. 26603 is sent with this machine unless otherwise specified on order.</i>							
127247	2373	<b>Feed and Feed Lifting Eccentric</b>	with 448c, 1299c, 52210 and 52211	...	...	...	...
127248	—	" " " "	" " 127247 with 127152	...	...	...	...
52210	—	" " " "	" " Lubricating Pad (wood, long)	...	...	...	...
52211	—	" " " "	" " ( " short)	...	...	...	...
1299c	2040	" " " "	" " Position Screw	...	...	...	...
448c	1324	" " " "	" " Set Screw	...	...	...	...
127152	2066	" " " "	" " Sleeve	...	...	...	...
52407	2029	<b>Feed Forked Connection</b>	...	...	...	...	...
52451	—	" " " "	52407 with 375c, 1518c and 52165	...	...	...	...
375c	1324	" " " "	" " Hinge Screw	...	...	...	...
1518c	2034	" " " "	" " Nut	...	...	...	...
52384	2029	<b>Feed Lifting Rock Shaft</b>	...	...	...	...	...
127156	2065	" " " "	" " Connecting Rod with 127157 and two 966e	...	...	...	...
*127157	—	" " " "	" " Cap	...	...	...	...
966e	2035	" " " "	" " Screw	...	...	...	...
375c	1324	" " " "	" " Hinge Screw	...	...	...	...
1518c	2034	" " " "	" " Nut	...	...	...	...
12376	2032	" " " "	" " Crank with 157c and 1813	...	...	...	...
157c	1324	" " " "	" " Clamping Screw	...	...	...	...
1813	2034	" " " "	" " Roller and Stud	...	...	...	...
50191c	2034	" " " "	" " Screw Centre (2)	...	...	...	...
1513j	1317	" " " "	" " Nut (2)	...	...	...	...
52385	—	<b>Feed Lifting Rock Shaft, complete,</b>	Nos. 12376 and 52384	...	...	...	...
50338e	2034	<b>Feed Regulating Screw Stud</b>	...	...	...	...	...
56032	1502	" " " "	" " Head with 56033	...	...	...	...
50193j	2035	" " " "	" " Cap Screw	...	...	...	...
56033	—	" " " "	" " Stop Pin	...	...	...	...
56034	1502	" " " "	" " Lock Pin	...	...	...	...
56035	1502	" " " "	" " Spring	...	...	...	...
52408	1502	<b>Feed Regulator</b>	with 50083c	...	...	...	...
52411	—	" " " "	52408 with 52073	...	...	...	...
1128e	2035	" " " "	" " Hinge Screw	...	...	...	...
52409	1502	<b>Feed Reverse Lever</b>	with 158e and 51846	...	...	...	...
50339d	2034	" " " "	" " Hinge Screw	...	...	...	...
158e	1324	" " " "	" " Clamping Screw	...	...	...	...
52410	1502	" " " "	" " Friction Washer	...	...	...	...
51846	2034	" " " "	" " Roller and Stud	...	...	...	...

No.	Plate						
52386	2029	<b>Feed Rock Shaft</b>	...	...	...	...	...
29633	2032	" " " "	" " Crank with 157c	...	...	...	...
157c	1324	" " " "	" " Clamping Screw	...	...	...	...
50191c	2034	" " " "	" " Screw Centre (2)	...	...	...	...
1513j	1317	" " " "	" " Nut (2)	...	...	...	...
52387	—	<b>Feed Rock Shaft, complete,</b>	Nos. 29633 and 52386	...	...	...	...
25866	2031	<b>Guide</b>	...	...	...	...	...
50190b	2035	" " "	Thumb Screw	...	...	...	...
127088	2040	<b>Needle Bar</b> (hollow)	...	...	...	...	...
127116	—	" " "	127088 with 229d, 52306 and 52307	...	...	...	...
127230	2373	" " "	Bushing (lower)	...	...	...	...
1133c	2035	" " "	( " ) Set Screw	...	...	...	...
52014	2039	" " "	(upper)	...	...	...	...
1133c	2035	" " "	( " ) Set Screw	...	...	...	...
52205	2066	" " "	Connecting Link with 52207	...	...	...	...
52206	—	" " "	" " 52205 with 24041	...	...	...	...
775e	2035	" " "	" " Cap Screw	...	...	...	...
52207	—	" " "	" " Lubricating Pad (wood)	...	...	...	...
24041	2066	" " "	" " Stud with 207e	...	...	...	...
207e	1688	" " "	" " Clamping Screw	...	...	...	...
127253	2373	" " "	" " Crank with 1036c, 1037c and 1065c	...	...	...	...
1065c	2035	" " "	" " Position Screw	...	...	...	...
52306	2032	" " "	" " Thread Guard	...	...	...	...
229d	2035	" " "	" " Screw	...	...	...	...
52307	2039	" " "	" " Clamp with 51460f	...	...	...	...
51460f	2378	" " "	" " Screw	...	...	...	...
*52201	2064	<b>Oil Absorbent Wick</b>	...	...	...	...	...
52202	2064	" " "	" " 52201, with 52203, for lower cavity in head of arm	...	...	...	...
*52203	2040	" " "	" " Wire	...	...	...	...
127191	—	<b>Oil Tube, with 52184</b>	...	...	...	...	...
127091	2040	" " "	" " Bracket	...	...	...	...
127092	—	" " "	" " 127091, with 127191, for oiling 52165	...	...	...	...
12391	2028	<b>Presser Bar</b> (hollow)	...	...	...	...	...
52338	1316	" " "	" " Guide Bracket with 223c and 453c	...	...	...	...
453c	1316	" " "	" " Set Screw	...	...	...	...
52016	1316	" " "	" " Lifter	...	...	...	...
689c	1316	" " "	" " Screw	...	...	...	...
1520r	1317	" " "	" " Nut	...	...	...	...
12327	1316	" " "	" " Lifting and Releasing Lever Bracket	...	...	...	...
127108	2029	" " "	" " Spring	...	...	...	...
11170	1316	" " "	" " Washer	...	...	...	...

No.	Plate						
7298	2032	<b>Presser Foot</b>	Hinge Pin	...	...	...	...
52426	—	"	" Plate	...	...	...	...
52390	—	"	" Shank	...	...	...	...
26231	2032	"	" Spring	...	...	...	...
52427	1529	<b>Presser Foot</b>	(spring hinged), complete, Nos. 7298, 26231, 52390 and 52426	...	...	...	...
190d	1324	"	" Screw	...	...	...	...
688j	1324	<b>Pressure Regulating Thumb Screw</b>		...	...	...	...
127095	2039	<b>Rotating Hook</b>	with three 1253c	...	...	...	...
127096	—	"	" 127095 with 127102 and four 1053e	...	...	...	...
*127239	—	"	" 127096 with 40274, 127242 and three 1367d	...	...	...	...
127097	—	"	" 127096 with 40274 and three 1367d (for agents only)	...	...	...	...
127240	—	"	" 127239 with 52237	...	...	...	...
40264	2032	"	" Bobbin	...	...	...	...
52235	—	"	" Case	...	...	...	...
52236	—	"	" " 52235 with 591f, 1380d and 40394	...	...	...	...
40393	—	"	" " Hinge Nos. 2974, 40392 and 125320	...	...	...	...
127242	2378	"	" " Holder	...	...	...	...
52018	2032	"	" " Position Bracket	...	...	...	...
704j	1324	"	" " " Screw	...	...	...	...
40392	2032	"	" " Latch	...	...	...	...
125320	2066	"	" " Lever	...	...	...	...
2974	2032	"	" " Fulcrum Pin	...	...	...	...
2975	2032	"	" " Spring	...	...	...	...
592e	1324	"	" " Stop Screw	...	...	...	...
591f	1324	"	" " Tension Regulating Screw	...	...	...	...
40394	2032	"	" " Spring	...	...	...	...
1380d	2035	"	" " Screw	...	...	...	...
52237	2032	"	" " complete, Nos. 592e, 2975, 40393 and 52236	...	...	...	...
127241	—	"	" " 52237 with 127242 (for agents only)	...	...	...	...
40274	2032	"	" Section	...	...	...	...
1367d	2035	"	" Screw	...	...	...	...
1253c	2035	"	" Set Screw	...	...	...	...
127059	2065	"	" Shaft	...	...	...	...
127073	2039	"	" Bevel Gear with two 1259c	...	...	...	...
127007	2029	"	" " Case (two pieces) with 121e and 50234d	...	...	...	...
50234d	2035	"	" " Plug Screw	...	...	...	...
121e	1324	"	" " Screw	...	...	...	...
1259c	2035	"	" " Set Screw	...	...	...	...
127004	2039	"	" Bushing (back)	...	...	...	...
127043	—	"	" " ( " ) 127004 with 52045	...	...	...	...

No.	Plate						
52045	2032	<b>Rotating Hook</b>	Shaft Bushing (back) Packing (cotton)	...	...	...	...
1143c	2035	"	" " " ( " ) Set Screw	...	...	...	...
127005	2039	"	" " " (front)	...	...	...	...
127044	—	"	" " " ( " ) 127005 with 52045	...	...	...	...
142008	2373	"	" " " " ( " ) Oil Cup	...	...	...	...
52045	2032	"	" " " " ( " ) Packing (cotton)	...	...	...	...
1148c	2035	"	" " " " ( " ) Set Screw	...	...	...	...
127102	2039	"	" " Thread Guard	...	...	...	...
1053e	2035	"	" " " Screw	...	...	...	...
52337	1316	<b>Slack Thread Regulator</b>		...	...	...	...
223c	1316	"	" " " Set Screw	...	...	...	...
2102	2032	<b>Tension Disc</b>		...	...	...	...
1560c	2034	"	Regulating Thumb Nut	...	...	...	...
32572	2032	"	Releasing Disc	...	...	...	...
43944	1316	"	" Lever	...	...	...	...
12398	1316	"	" " Hinge Pin	...	...	...	...
12329	1316	"	" " Spring	...	...	...	...
32574	2032	"	" " Pin	...	...	...	...
2103	2032	"	" Spring	...	...	...	...
50304c	2034	"	" Stud	...	...	...	...
50305c	2035	"	" " Set Screw	...	...	...	...
52397	—	<b>Tension</b> , complete, Nos. 1560c, 2103, 32572, 32574, 50304c, 52083, 52394 and two 2102		...	...	...	...
52027	2032	<b>Thread Guard</b>	(side of arm)	...	...	...	...
52454	2030	"	Retainer	...	...	...	...
624c	2035	"	" Set Screw	...	...	...	...
52215	—	<b>Thread Take-up</b> , complete, Nos. 11204, 52025 and 52217		...	...	...	...
52216	2373	<b>Thread Take-up Crank</b>		...	...	...	...
52217	—	"	" " 52216 with 775c and 52206	...	...	...	...
1037c	2035	"	" " Position Screw	...	...	...	...
1036c	2035	"	" " Set Screw	...	...	...	...
52022	1503	<b>Thread Take-up Lever</b>	with 52130	...	...	...	...
52023	2039	"	" " Hinge Pin	...	...	...	...
52024	2039	"	" " Link	...	...	...	...
11204	2033	"	" " Hinge Pin	...	...	...	...
435c	1324	"	" " " Set Screw	...	...	...	...
52130	—	"	" " Thread Eyelet Bushing	...	...	...	...
52025	—	<b>Thread Take-up Lever</b> , complete, Nos. 52022 to 52024		...	...	...	...
52394	2039	<b>Thread Take-up Spring</b>		...	...	...	...
52083	2032	"	" " Regulator with 50305c	...	...	...	...
448c	1324	"	" " Set Screw	...	...	...	...

No.	Plate	
20356	1529	<b>Throat Plate</b> , large needle hole, for 26603, 28360 and 121446 ...
20357	—	" " small " " " 26603, 28360 " 121446 ...
691f	1324	" " Screw (2) ... ..

NOTE.—Throat Plate No. 20356 is sent with this machine unless otherwise specified on order.

*15404	—	<b>Trade Mark</b> ... ..
15405	—	" " Rivet ... ..
44212	—	<b>Drip Pan</b> with four $\frac{3}{4}$ " wire nails ... ..

## PARTS COMPLETE FOR No. 96K42 MACHINE

For Eyelet Row Stitching. Maximum Stitch 7 to the inch. Drop Feed.  
Roller Presser. Knee Lifter.

No.	Plate	
*127213	—	<b>Arm</b> with 15404, two each 15405 and 56015 ... ..

NOTE.—Due to the accuracy required for gear alignment, Arm cannot be supplied separately and can only be sent out as a unit, Arm and Bed assembled.

16532	2032	<b>Arm Dowel Pin</b> (2) ... ..
52182	2066	" Oil Tube, with 52184, for oiling 52205 ... ..
52183	2064	" " " " 52184, " " 52024, for 127193 and 150460
52180	2066	" " " (long) with 52184, for oiling 52022 ... ..
52185	2066	" " " (short) " 42367, " " 52022 ... ..
127187	2040	" " " with 42367, for oiling 127152, for 127193 and 150460
52148	2039	" " " ... ..
52149	—	" " " 52148, with 52150, for oiling 127072 and 127074
56015	2033	" " " for oiling 127058 (2) ... ..
52150	2039	" " " Packing (braided cotton) for 52149 ... ..
42367	2064	" " " " ( " " ) " 52185 and 127187
52184	2064	" " " " (cotton wick) for 52180, 52182, 52183, and 127191
116e	1324	" Screw (back) (2) ... ..
854e	2035	" " (front) (2) ... ..
127047	1815	<b>Arm Shaft</b> (horizontal) ... ..
88615	—	" " ( " ) 127047 with 127253 ... ..
127072	2039	" " ( " ) Bevel Gear with two 1036c ... ..
127070	2029	" " ( " ) " " Case (two pieces) with 121e
121e	1324	" " ( " ) " " " Screw ... ..
1036c	2035	" " ( " ) " " " Set Screw ... ..
52191	2040	" " ( " ) Flanged Bushing (back) ... ..
52192	—	" " ( " ) " " ( " ) 52191 with 52193 and 52194
52193	2040	" " ( " ) " " ( " ) Oil Pad (braided cotton)
52194	2064	" " ( " ) " " ( " ) Oil Pad (felt)
446c	1324	" " ( " ) " " ( " ) Set Screw ... ..

No.	Plate	
52195	2040	<b>Arm Shaft</b> (horizontal) Flanged Bushing (front) ... ..
52196	—	" " ( " ) " " ( " ) 52195 with 52193 and 52198
52193	2040	" " ( " ) " " ( " ) Oil Pad (braided cotton)
52198	2064	" " ( " ) " " ( " ) Oil Pad (felt)
435c	1324	" " ( " ) " " ( " ) Set Screw ...
68350	2039	" " ( " ) Front Bearing Oil Cup (spring lid) ...
144d	1324	" " ( " ) Screw ... ..
127058	2028	" " (upright) ... ..
127073	2039	" " ( " ) Bevel Gear (lower) with two 1259c ...
1259c	2035	" " ( " ) " " ( " ) Set Screw ... ..
127074	2039	" " ( " ) " " (upper) with two 1259c ...
1259c	2035	" " ( " ) " " ( " ) Set Screw ... ..
52492	2039	" " ( " ) Bushing (lower) ... ..
432c	1324	" " ( " ) " " ( " ) Set Screw ... ..
52493	2039	" " ( " ) " (upper) ... ..
435c	1324	" " ( " ) " ( " ) Set Screw ... ..
127146	2066	" Side Cap ... ..
219d	1324	" " " Screw ... ..
127079	2028	" " Cover ... ..
50053d	2035	" " " Thumb Screw ... ..
52239	2064	" Spool Pin and Thread Eyelet ... ..
8879	1316	" " " Washer (cloth) ... ..
127192	2064	<b>Arm Top Cover</b> ... ..
127193	2064	" " " 127192 with 52183, 52239, 127187 and 127255
127255	2378	" " " Positioning Disc ... ..
158j	1324	" " " Screw ... ..
150459	2064	" " " Tension Bracket with 460c ... ..
158j	1324	" " " " " Screw ... ..
52239	2064	" " " " " Spool Pin ... ..
8879	1316	" " " " " " Washer (cloth) ... ..
2455	1688	" " " " Disc ... ..
41593	1316	" " " " Spring ... ..
41594	1316	" " " " Stud ... ..
460c	1324	" " " " " Set Screw ... ..
41595	1316	" " " " Thread Guide ... ..
150460	2064	<b>Arm Top Cover Tension Bracket</b> , complete, Nos. 41593 to 41595, 52183, 52239, 127187, 127255, 150459 and two 2455

NOTE.—No. 150460 is supplied with this machine unless No. 127193 is specified on order.

No.	Plate	
52187	2065	<b>Balance Wheel</b> (power, disc) 2 $\frac{3}{8}$ " pulley, with two 448c ...
52081	—	" " (stand, heavy rim) 2 $\frac{3}{8}$ " pulley, with two 448c
52063	2029	" " Oil Cover ... ..
210d	1324	" " " Screw ... ..
448c	1324	" " Set Screw ... ..
NOTE.—No. 52187 is supplied with this machine unless otherwise specified on order.		
*52383	—	<b>Bed</b> ... ..
NOTE.—Due to the accuracy required for gear alignment, Bed cannot be supplied separately and can only be sent out as a unit, Arm and Bed assembled.		
12431	—	<b>Bed Slide</b> ... ..
12432	2028	" " complete, Nos. 4307, 12431 and two 725c ...
4307	2028	" " Spring ... ..
725e	1324	" " " Screw ... ..
52051	—	<b>Face Plate</b> ... ..
176d	559	" " Screw ... ..
52053	2030	" " Thread Guard (lower) ... ..
226d	1324	" " " " ( " ) Screw ... ..
52170	—	" " " " (upper) ... ..
226d	1324	" " " " ( " ) Screw ... ..
50190d	2035	" " Thumb Screw ... ..
52052	2028	<b>Face Plate</b> , complete, Nos. 52051, 52053, 52170 and two 226d ...
52452	2028	<b>Feed Bar</b> ... ..
313c	1324	" " Screw Centre (2) ... ..
1519c	2034	" " " " Nut (2) ... ..
52165	2066	" Connecting Link ... ..
375c	1324	" " " Hinge Screw ... ..
1518e	2034	" " " " Nut ... ..
52073	2032	" " " " Stud ... ..
50083c	2035	" " " " Set Screw ... ..
12436	7699	<b>Feed Dog</b> ... ..
50117c	2035	" " Screw (2) ... ..
127202	—	<b>Feed and Feed Lifting Eccentric</b> with 448c, 1299c, 52210 and 52211
127225	—	" " " " " 127202 with 127152 ...
52210	—	" " " " " Lubricating Pad (wood, long)
52211	—	" " " " " " " (wood, short)
1299c	2040	" " " " " Position Screw ... ..
448c	1324	" " " " " Set Screw ... ..
127152	2066	" " " " " Sleeve ... ..

No.	Plate						
20284	2029	<b>Feed Forked Connection</b>	...	...	...	...	...
52393	—	" " "	20284 with 375c, 1518e and 52165	...	...	...	...
375c	1324	" " "	Hinge Screw	...	...	...	...
1518e	2034	" " "	" " Nut	...	...	...	...
52384	2029	<b>Feed Lifting Rock Shaft</b>	...	...	...	...	...
127156	2065	" " "	Connecting Rod with 127157 and two	...	...	966e	...
*127157	—	" " "	" " Cap	...	...	...	...
966e	2035	" " "	" " Screw	...	...	...	...
375c	1324	" " "	" " Hinge Screw	...	...	...	...
1518e	2034	" " "	" " " Nut	...	...	...	...
12376	2032	" " "	Crank with 157c and 1813	...	...	...	...
157c	1324	" " "	" Clamping Screw	...	...	...	...
1813	2034	" " "	" Roller and Stud	...	...	...	...
50191c	2034	" " "	Screw Centre (2)	...	...	...	...
1513j	1317	" " "	" " Nut (2)	...	...	...	...
52385	—	<b>Feed Lifting Rock Shaft, complete, Nos. 12376 and 52384</b>	...	...	...	...	...
52074	2033	<b>Feed Regulator with 50083c</b>	...	...	...	...	...
52118	—	" " 52074 with 52073	...	...	...	...	...
52093	—	" " 52118 with 818d	...	...	...	...	...
1128c	2035	" " Hinge Screw	...	...	...	...	...
818d	2035	" " Thumb Screw	...	...	...	...	...
52359	2033	" " " Stop	...	...	...	...	...
52386	2029	<b>Feed Rock Shaft</b>	...	...	...	...	...
29633	2032	" " " Crank with 157c	...	...	...	...	...
157c	1324	" " " Clamping Screw	...	...	...	...	...
50191c	2034	" " " Screw Centre (2)	...	...	...	...	...
1513j	1317	" " " Nut (2)	...	...	...	...	...
52387	—	<b>Feed Rock Shaft, complete, Nos. 29633 and 52386</b>	...	...	...	...	...
25866	2031	<b>Guide</b> ...	...	...	...	...	...
50190b	2035	" Thumb Screw	...	...	...	...	...
127088	2040	<b>Needle Bar (hollow)</b>	...	...	...	...	...
127131	—	" " 127088 with 229d, 127045 and 127046	...	...	...	...	...
127230	2373	" " Bushing (lower)	...	...	...	...	...
1133c	2035	" " " ( " ) Set Screw	...	...	...	...	...
52014	2039	" " " (upper)	...	...	...	...	...
1133c	2035	" " " ( " ) Set Screw	...	...	...	...	...
52205	2066	" " Connecting Link with 52207	...	...	...	...	...
52206	—	" " " 52205 with 24041	...	...	...	...	...
775e	2035	" " " Cap Screw	...	...	...	...	...
52207	—	" " " Lubricating Pad (wood)	...	...	...	...	...

No.	Plate						
24041	2066	<b>Needle Bar</b> Connecting Stud with 207c	...	...	...	...	...
207c	1688	" " " Clamping Screw	...	...	...	...	...
127253	2373	" " Crank with 1036c, 1037c and 1065c	...	...	...	...	...
1065c	2035	" " " Position Screw	...	...	...	...	...
127045	2033	" " Thread Guard	...	...	...	...	...
229d	2035	" " " Screw	...	...	...	...	...
127046	2033	" Clamp with 51460f	...	...	...	...	...
51460f	2378	" " Screw	...	...	...	...	...
*52201	2064	<b>Oil Absorbent Wick</b>	...	...	...	...	...
52202	2064	" " " 52201, with 52203, for lower cavity in head of arm	...	...	...	...	...
*52203	2040	" " " Wire	...	...	...	...	...
127191	—	<b>Oil Tube, with 52184</b>	...	...	...	...	...
127091	2040	" " Bracket	...	...	...	...	...
127092	—	" " " 127091, with 127191, for oiling 52165	...	...	...	...	...
12391	2028	<b>Presser Bar (hollow)</b>	...	...	...	...	...
52338	1316	" " Guide Bracket with 223c and 453c	...	...	...	...	...
453c	1316	" " " Set Screw	...	...	...	...	...
52016	1316	" " Lifter	...	...	...	...	...
689c	1316	" " " Screw	...	...	...	...	...
1520r	1317	" " " Nut	...	...	...	...	...
12327	1316	" " Lifting and Releasing Lever Bracket	...	...	...	...	...
127108	2029	" " Spring	...	...	...	...	...
11170	1316	" " " Washer	...	...	...	...	...
688j	1324	<b>Pressure Regulating Thumb Screw</b>	...	...	...	...	...
51928	2375	<b>Roller (ball-bearing) <math>\frac{5}{8}</math>" diam., <math>\frac{3}{16}</math>" face, coarse, complete, Nos. 1528d, 201699f, 350104f and twenty-eight 206417, for 127271</b>	...	...	...	...	...
51903	2375	<b>Roller (ball-bearing), <math>\frac{7}{8}</math>" diam., <math>\frac{9}{16}</math>" face, fine, complete, Nos. 1528d, 201699f, 350104f and twenty-eight 206417, for 62867</b>	...	...	...	...	...
51899	2375	<b>Roller (ball-bearing), <math>\frac{7}{8}</math>" diam., <math>\frac{3}{8}</math>" face, fine, complete, Nos. 1528d, 201699f, 350104f and twenty-eight 206417, for 62863</b>	...	...	...	...	...
127273	—	<b>Roller Arm for 127271</b>	...	...	...	...	...
62897	—	" " " 62867	...	...	...	...	...
62856	—	" " " 62863	...	...	...	...	...
440f	2378	" " Adjusting Screw	...	...	...	...	...
1547j	2378	" " " Nut	...	...	...	...	...
80297	2375	" " Bracket	...	...	...	...	...
316f	1324	" " " Screw Centre	...	...	...	...	...
1547j	2378	" " " Nut	...	...	...	...	...

No.	Plate	
2205	2378	<b>Roller Arm Lock Spring</b> ... ..
176d	559	" " " " Screw ... ..
1549j	2378	" " " " Nut ... ..
206417	—	" Ball, $\frac{1}{16}$ " diam. ... ..
201699f	2378	" " Retaining Nut ... ..
350104f	2378	" Screw ... ..
1528d	2378	" " Nut ... ..
127271	2375	<b>Roller Presser</b> (ball-bearing), $\frac{5}{8}$ " diam., $\frac{3}{16}$ " face, coarse, complete, Nos. 176d, 440f, 1549j, 2205, 51928, 80297, 127273, two 316f and three 1547j ... ..
62867	2375	<b>Roller Presser</b> (ball-bearing), $\frac{7}{8}$ " diam., $\frac{3}{16}$ " face, fine, complete, Nos. 176d, 440f, 1549j, 2205, 51903, 62897, 80297, two 316f and three 1547j ... ..
62863	2375	<b>Roller Presser</b> (ball-bearing), $\frac{7}{8}$ " diam., $\frac{3}{16}$ " face, fine, complete, Nos. 176d, 440f, 1549j, 2205, 51899, 62856, 80297, two 316f and three 1547j ... ..
176d	559	<b>Roller Presser Screw</b> ... ..
127095	2039	<b>Rotating Hook</b> with three 1253c ... ..
127096	—	" " 127095 with 127102 and four 1053e ... ..
*127239	—	" " 127096 " 40274, 127242 and three 1367d ... ..
127097	—	" " 127096 " 40274 and three 1367d (for agents only) ... ..
127240	—	" " 127239 " 52237 ... ..
40264	2032	" " Bobbin ... ..
52235	—	" " " Case ... ..
52236	—	" " " 52235 with 591f, 1380d and 40394 ... ..
40393	—	" " " Hinge, Nos. 2974, 40392 and 125320 ... ..
127242	2378	" " " Holder ... ..
52018	2032	" " " " Position Bracket ... ..
704j	1324	" " " " " " " Screw ... ..
40392	2032	" " " " Latch ... ..
125320	2066	" " " " Lever ... ..
2974	2032	" " " " Fulcrum Pin ... ..
2975	2032	" " " " Spring ... ..
592e	1324	" " " " Stop Screw ... ..
591f	1324	" " " " Tension Regulating Screw ... ..
40394	2032	" " " " Spring ... ..
1380d	2035	" " " " Screw ... ..
52237	2032	" " " " complete, Nos. 592e, 2975, 40393 and 52236 ... ..
127241	—	" " " " 52237 with 127242 (for agents only) ... ..
40274	2032	" " Section ... ..
1367d	2035	" " " Screw ... ..
1253c	2035	" " Set Screw ... ..

No.	Plate	
127059	2065	<b>Rotating Hook Shaft</b> ... ..
127073	2039	" " " Bevel Gear with two 1259c ... ..
127007	2029	" " " " " Case (two pieces) with 121e and 50234d ... ..
50234d	2035	" " " " " Plug Screw ... ..
121e	1324	" " " " " Screw ... ..
1259c	2035	" " " " " Set Screw ... ..
127004	2039	" " " Bushing (back) ... ..
127043	—	" " " " ( " ) 127004 with 52045 ... ..
52045	2032	" " " " ( " ) Packing (cotton) ... ..
1143c	2035	" " " " ( " ) Set Screw ... ..
127005	2039	" " " " (front) ... ..
127044	—	" " " " ( " ) 127005 with 52045 ... ..
142008	2373	" " " " ( " ) Oil Cup ... ..
52045	2032	" " " " ( " ) Packing (cotton) ... ..
1148c	2035	" " " " ( " ) Set Screw ... ..
127102	2039	" " Thread Guard ... ..
1053e	2035	" " " " Screw ... ..
52337	1316	<b>Slack Thread Regulator</b> ... ..
223c	1316	" " " Set Screw ... ..
52046	1815	<b>Spool Holder Base</b> ... ..
389d	2035	" " " Screw ... ..
204296	1815	" " " Wire ... ..
200079h	2034	" " " Hinge Screw ... ..
52047	1815	<b>Spool Holder</b> , complete, Nos. 52046, 200079h and 204296 ... ..
2102	2032	<b>Tension Disc</b> ... ..
1560c	2034	" Regulating Thumb Nut ... ..
32572	2032	" Releasing Disc ... ..
43944	1316	" " Lever ... ..
12398	1316	" " " Hinge Pin ... ..
12329	1316	" " " Spring ... ..
32574	2032	" " Pin ... ..
2103	2032	" Spring ... ..
50304c	2034	" Stud ... ..
50305c	2035	" " Set Screw ... ..
52397	—	<b>Tension</b> , complete, Nos. 1560c, 2103, 32572, 32574, 50304c, 52083, 52394 and two 2102 ... ..
52027	2032	<b>Thread Guard</b> (side of arm) ... ..
52454	2030	" Retainer ... ..
624c	2035	" " Set Screw ... ..
52215	—	<b>Thread Take-up</b> , complete, Nos. 11204, 52025 and 52217 ... ..

## No. 96K42 MACHINE PARTS

No.	Plate				
52216	2373	<b>Thread Take-up Crank</b> ... ..			
52217	—	"	"	"	52216 with 775c and 52206 ... ..
1037c	2035	"	"	"	Position Screw ... ..
1036c	2035	"	"	"	Set Screw ... ..
52022	1503	<b>Thread Take-up Lever</b> with 52130 ... ..			
52023	2039	"	"	"	Hinge Pin ... ..
52024	2039	"	"	"	Link ... ..
11204	2033	"	"	"	" Hinge Pin ... ..
435c	1324	"	"	"	" " " " Set Screw ... ..
52130	—	"	"	"	Thread Eyelet Bushing ... ..
52025	—	<b>Thread Take-up Lever</b> , complete, Nos. 52022 to 52024 ... ..			
52394	2039	<b>Thread Take-up Spring</b> ... ..			
52083	2032	"	"	"	Regulator with 50305c ... ..
448c	1324	"	"	"	" " " " Set Screw ... ..
24444	—	<b>Throat Plate</b> , large oblong needle hole, for 12436 ... ..			
24443	7699	"	"	"	small " " " " 12436 ... ..
691f	1324	"	"	"	Screw (2) ... ..

NOTE.—Throat Plate No. 24444 is sent with this machine unless otherwise specified on order.

*15404	—	<b>Trade Mark</b> ... ..			
15405	—	"	"	"	Rivet ... ..
44212	—	<b>Drip Pan</b> with four $\frac{3}{8}$ " wire nails ... ..			

## PARTS COMPLETE FOR No. 96K43 MACHINE

For Stitching Top Facings to Shoe Lining, also for Side and Back Stays.  
Maximum Stitch 7 to the inch. Drop Feed. Roller Presser. Knee Lifter.

No.	Plate				
*127215	—	<b>Arm</b> with 15404, two each 15405 and 56015 ... ..			
NOTE.—Due to the accuracy required for gear alignment, Arm cannot be supplied separately and can only be sent out as a unit, Arm and Bed assembled.					
16532	2032	<b>Arm Dowel Pin</b> (2) ... ..			
52182	2066	"	"	"	Oil Tube, with 52184, for oiling 52205 ... ..
52183	2064	"	"	"	" " " " 52184, " " 52024, for 127193 and 150460 ... ..
52180	2066	"	"	"	(long) with 52184, for oiling 52022 ... ..
52185	2066	"	"	"	(short) " 42367, " " 52022 ... ..
127187	2040	"	"	"	with 42367, for oiling 127152, for 127193 and 150460 ... ..
52148	2039	"	"	"	... ..
52149	—	"	"	"	52148, with 52150, for oiling 127072 and 127074 ... ..
56015	2033	"	"	"	for oiling 127058 (2) ... ..
52150	2039	"	"	"	Packing (braided cotton) for 52149 ... ..
42367	2064	"	"	"	" ( " " ) " 52185 and 127187 ... ..
52184	2064	"	"	"	" (cotton wick) for 52180, 52182, 52183, and 127191 ... ..
116c	1324	"	"	"	Screw (back) (2) ... ..
854c	2035	"	"	"	" (front) (2) ... ..
127047	1815	<b>Arm Shaft</b> (horizontal) ... ..			
88615	—	"	"	"	( " ) 127047 with 127253 ... ..
127072	2039	"	"	"	( " ) Bevel Gear with two 1036c ... ..
127070	2029	"	"	"	" " Case (two pieces) with 121c ... ..
121c	1324	"	"	"	" " " Screw ... ..
1036c	2035	"	"	"	" " " Set Screw ... ..
52191	2040	"	"	"	( " ) Flanged Bushing (back) ... ..
52192	—	"	"	"	" " ( " ) 52191, with 52193 and 52194 ... ..
52193	2040	"	"	"	" ( " ) Oil Pad (braided cotton) ... ..
52194	2064	"	"	"	" ( " ) Oil Pad (felt) ... ..
446c	1324	"	"	"	" ( " ) Set Screw ... ..
52195	2040	"	"	"	" (front) ... ..
52196	—	"	"	"	" ( " ) 52195 with 52193 and 52198 ... ..



No.	Plate	
52193	2040	<b>Arm Shaft</b> (horizontal) Flanged Bushing (front) Oil Pad (braided cotton)
52198	2064	" " ( " ) " " ( " ) Oil Pad (felt)
435c	1324	" " ( " ) " " ( " ) Set Screw ...
68350	2039	" " ( " ) Front Bearing Oil Cup (spring lid) ...
144d	1324	" " ( " ) Screw ...
127058	2028	" " (upright) ...
127073	2039	" " ( " ) Bevel Gear (lower) with two 1259c ...
1259c	2035	" " ( " ) " " ( " ) Set Screw ...
127074	2039	" " ( " ) " " (upper) with two 1259c ...
1259c	2035	" " ( " ) " " ( " ) Set Screw ...
52492	2039	" " ( " ) Bushing (lower) ...
432c	1324	" " ( " ) " ( " ) Set Screw ...
52493	2039	" " ( " ) " (upper) ...
435c	1324	" " ( " ) " ( " ) Set Screw ...
127146	2066	" Side Cap ...
219d	1324	" " " Screw ...
127079	2028	" " Cover ...
50053d	2035	" " " Thumb Screw ...
52239	2064	" Spool Pin and Thread Eyelet ...
8879	1316	" " " Washer (cloth) ...
127192	2064	<b>Arm Top Cover</b> ...
127193	2064	" " " 127192 with 52183, 52239, 127187 and 127255
127255	2378	" " " Positioning Disc ...
158j	1324	" " " Screw ...
150459	2064	" " " Tension Bracket with 460c ...
158j	1324	" " " " " Screw ...
52239	2064	" " " " " Spool Pin ...
8879	1316	" " " " " " Washer (cloth) ...
2455	1688	" " " " " Disc ...
41593	1316	" " " " " Spring ...
41594	1316	" " " " " Stud ...
460c	1324	" " " " " Set Screw ...
41595	1316	" " " " " Thread Guide ...
150460	2064	<b>Arm Top Cover Tension Bracket</b> , complete, Nos. 41593 to 41595, 52183, 52239, 127187, 127255, 150459 and two 2455

NOTE.—No. 150460 is supplied with this machine unless No. 127193 is specified on order.

52187	2065	<b>Balance Wheel</b> (power, disc) 2 $\frac{3}{8}$ " pulley, with two 448c ...
52081	—	" " (stand, heavy rim) 2 $\frac{3}{8}$ " pulley, with two 448c
52063	2029	" " Oil Cover ...
210d	1324	" " " " Screw ...
448c	1324	" " " Set Screw ...

NOTE.—No. 52187 is supplied with this machine unless otherwise specified on order.

No.	Plate	
*52383	—	<b>Bed</b> ...
NOTE.—Due to the accuracy required for gear alignment, Bed cannot be supplied separately and can only be sent out as a unit, Arm and Bed assembled.		
52417	—	<b>Bed Slide</b> ...
52418	2030	" " complete, Nos. 52417, 52464 and two 665e ...
52464	2033	" " Spring ...
665e	2035	" " " Screw ...
120063	7703	<b>Edge Guide</b> ...
50190b	2035	" " Thumb Screw ...
52051	—	<b>Face Plate</b> ...
176d	559	" " Screw ...
52053	2030	" " Thread Guard (lower) ...
226d	1324	" " " " ( " ) Screw ...
52170	—	" " " " (upper) ...
226d	1324	" " " " ( " ) Screw ...
50190d	2035	" " Thumb Screw ...
52052	2028	<b>Face Plate</b> , complete, Nos. 52051, 52053, 52170 and two 226d ...
52452	2028	<b>Feed Bar</b> ...
313c	1324	" " Screw Centre (2) ...
1519c	2034	" " " " Nut (2) ...
52165	2066	" Connecting Link ...
375c	1324	" " " Hinge Screw ...
1518c	2034	" " " " " Nut ...
52073	2032	" " " " Stud ...
50083c	2035	" " " " " Set Screw ...
12436	7699	<b>Feed Dog</b> ...
50117c	2035	" " Screw (2) ...
127202	—	<b>Feed and Feed Lifting Eccentric</b> with 448c, 1299c, 52210 and 52211
127225	—	" " " " " 127202 with 127152 ...
52210	—	" " " " " Lubricating Pad (wood, long) ...
52211	—	" " " " " " " ( " short) ...
1299c	2040	" " " " " Position Screw ...
448c	1324	" " " " " Set Screw ...
127152	2066	" " " " " Sleeve ...
20284	2029	<b>Feed Forked Connection</b> ...
52393	—	" " " 20284 with 375c, 1518c and 52165 ...
375c	1324	" " " Hinge Screw ...
1518c	2034	" " " " " Nut ...

No.	Plate	
52384	2029	<b>Feed Lifting Rock Shaft</b> ... ..
127156	2065	" " " " Connecting Rod with 127157 and two 966e
*127157	—	" " " " " " Cap ... ..
966e	2035	" " " " " " " Screw ... ..
375c	1324	" " " " " " " Hinge Screw ... ..
1518e	2034	" " " " " " " " Nut ... ..
12376	2032	" " " " " " Crank with 157c and 1813 ... ..
157c	1324	" " " " " " " Clamping Screw ... ..
1813	2034	" " " " " " " Roller and Stud ... ..
50191c	2034	" " " " " " " Screw Centre (2) ... ..
1513j	1317	" " " " " " " Nut (2) ... ..
52385	—	<b>Feed Lifting Rock Shaft, complete, Nos. 12376 and 52384</b> ... ..
52074	2033	<b>Feed Regulator with 50083c</b> ... ..
52118	—	" " " 52074 with 52073 ... ..
52093	—	" " " 52118 with 818d ... ..
1128e	2035	" " " Hinge Screw ... ..
818d	2035	" " " Thumb Screw ... ..
52359	2033	" " " " " Stop ... ..
52386	2029	<b>Feed Rock Shaft</b> ... ..
29633	2032	" " " " Crank with 157c ... ..
157c	1324	" " " " " Clamping Screw ... ..
50191c	2034	" " " " " Screw Centre (2) ... ..
1513j	1317	" " " " " Nut (2) ... ..
52387	—	<b>Feed Rock Shaft, complete, Nos. 29633 and 52386</b> ... ..
127088	2040	<b>Needle Bar (hollow)</b> ... ..
127132	—	" " " 127088 with 229d, 52307 and 52415 ... ..
127230	2373	" " " Bushing (lower) ... ..
1133c	2035	" " " ( " ) Set Screw ... ..
52014	2039	" " " (upper) ... ..
1133c	2035	" " " ( " ) Set Screw ... ..
52205	2066	" " " Connecting Link with 52207 ... ..
52206	—	" " " " 52205 with 24041 ... ..
775e	2035	" " " " " Cap Screw ... ..
52207	—	" " " " " Lubricating Pad (wood) ... ..
24041	2066	" " " " " Stud with 207e ... ..
207e	1688	" " " " " Clamping Screw ... ..
127253	2373	" " " Crank with 1036c, 1037c and 1065c ... ..
1065c	2035	" " " " " Position Screw ... ..
52415	2033	" " " Thread Guard ... ..
229d	2035	" " " " " Screw ... ..
52307	2039	" " " Clamp with 51460f ... ..
51460f	2378	" " " " " Screw ... ..

No.	Plate	
*52201	2064	<b>Oil Absorbent Wick</b> ... ..
52202	2064	" " " 52201, with 52203, for lower cavity in head of arm
*52203	2040	" " " " Wire ... ..
127191	—	<b>Oil Tube, with 52184</b> ... ..
127091	2040	" " " Bracket ... ..
127092	—	" " " " 127091, with 127191, for oiling 52165 ... ..
12391	2028	<b>Presser Bar (hollow)</b> ... ..
52338	1316	" " " Guide Bracket with 223c and 453c ... ..
453c	1316	" " " " " Set Screw ... ..
52016	1316	" " " Lifter ... ..
689c	1316	" " " " " Screw ... ..
1520r	1317	" " " " " Nut ... ..
12327	1316	" " " Lifting and Releasing Lever Bracket ... ..
127108	2029	" " " Spring ... ..
11170	1316	" " " " " Washer ... ..
688j	1324	<b>Pressure Regulating Thumb Screw</b> ... ..
51928	2375	<b>Roller (ball-bearing), <math>\frac{5}{8}</math>" diam., <math>\frac{3}{8}</math>" face, coarse, complete, Nos. 1528d, 201699f, 350104f and twenty-eight 206417, for 127271</b>
51903	2375	<b>Roller (ball-bearing), <math>\frac{7}{8}</math>" diam., <math>\frac{3}{4}</math>" face, fine, complete, Nos. 1528d, 201699f, 350104f and twenty-eight 206417, for 62867</b>
51927	2375	<b>Roller (ball-bearing), 1<math>\frac{1}{4}</math>" diam., <math>\frac{11}{16}</math>" face, coarse, complete, Nos. 1528d, 1766c, 50553c and twenty-four 16232, for 127272 ...</b>
127273	—	<b>Roller Arm for 127271</b> ... ..
62897	—	" " " 62867 ... ..
127274	—	" " " 127272 ... ..
440f	2378	" " " Adjusting Screw ... ..
1547j	2378	" " " " " Nut ... ..
80297	2375	" " " Bracket ... ..
316f	1324	" " " " " Screw Centre ... ..
1547j	2378	" " " " " " Nut ... ..
2205	2378	" " " Lock Spring ... ..
176d	559	" " " " " Screw ... ..
1549j	2378	" " " " " " Nut ... ..
206417	—	" " " Ball, $\frac{1}{16}$ " diam., for 51903 and 51928 ... ..
16232	—	" " " $\frac{3}{32}$ " diam., for 51927 ... ..
201699f	2378	" " " Retaining Nut for 51903 and 51928 ... ..
1766c	2378	" " " " " " 51927 ... ..
350104f	2378	" " " Screw for 51903 and 51928 ... ..
50553c	2035	" " " " 51927 ... ..
1528d	2378	" " " Nut ... ..

## No. 96K43 MACHINE PARTS

No.	Plate	
127271	2375	<b>Roller Presser</b> (ball-bearing, $\frac{3}{8}$ " diam., $\frac{3}{16}$ " face, coarse, complete, Nos. 176d, 440f, 1549j, 2205, 51928, 80297, 127273, two 316f and three 1547j ... ..)
62867	2375	<b>Roller Presser</b> (ball-bearing), $\frac{7}{8}$ " diam., $\frac{3}{16}$ " face, fine, complete, Nos. 176d, 440f, 1549j, 2205, 51903, 62897, 80297, two 316f and three 1547j ... ..)
127272	2375	<b>Roller Presser</b> (ball-bearing), $1\frac{1}{4}$ " diam., $\frac{1}{4}$ " face, coarse, complete, Nos. 176d, 440f, 1549j, 2205, 51927, 80297, 127274, two 316f and three 1547j ... ..)
176d	559	<b>Roller Presser Screw</b> ... ..)
127095	2039	<b>Rotating Hook</b> with three 1253c ... ..)
127096	—	" " 127095 with 127102 and four 1053e ... ..)
*127239	—	" " 127096 with 40274, 127242 and three 1367d ... ..)
127097	—	" " 127096 " 40274, and three 1367d (for agents only) ... ..)
127240	—	" " 127239 with 52237 ... ..)
40264	2032	" " Bobbin ... ..)
52235	—	" " Case ... ..)
52236	—	" " " " 52235 with 591f, 1380d and 40394 ... ..)
40393	—	" " " " Hinge, Nos. 2974, 40392 and 125320 ... ..)
127242	2378	" " " " Holder ... ..)
52018	2032	" " " " Position Bracket ... ..)
704j	1324	" " " " " " Screw ... ..)
40392	2032	" " " " Latch ... ..)
125320	2066	" " " " Lever ... ..)
2974	2032	" " " " Fulcrum Pin ... ..)
2975	2032	" " " " Spring ... ..)
592e	1324	" " " " Stop Screw ... ..)
591f	1324	" " " " Tension Regulating Screw ... ..)
40394	2032	" " " " Spring ... ..)
1380d	2035	" " " " Screw ... ..)
52237	2032	" " " " complete, Nos. 592e, 2975, 40393 and 52236 ... ..)
127241	—	" " " " 52237 with 127242 (for agents only) ... ..)
40274	2032	" " Section ... ..)
1367d	2035	" " Screw ... ..)
1253c	2035	" " Set Screw ... ..)
127059	2065	" " Shaft ... ..)
127073	2039	" " Bevel Gear with two 1259c ... ..)
127007	2029	" " " " Case (two pieces) with 121e and 50234d ... ..)
50234d	2035	" " " " Plug Screw ... ..)
121e	1324	" " " " Screw ... ..)

## No. 96K43 MACHINE PARTS

No.	Plate	
1259c	2035	<b>Rotating Hook</b> Shaft Bevel Gear Set Screw ... ..)
127004	2039	" " " Bushing (back) ... ..)
127043	—	" " " " ( " ) 127004 with 52045 ... ..)
52045	2032	" " " " ( " ) Packing (cotton) ... ..)
1143c	2035	" " " " ( " ) Set Screw ... ..)
127005	2039	" " " " (front) ... ..)
127044	—	" " " " ( " ) 127005 with 52045 ... ..)
142008	2373	" " " " ( " ) Oil Cup ... ..)
52045	2032	" " " " ( " ) Packing (cotton) ... ..)
1148c	2035	" " " " ( " ) Set Screw ... ..)
127102	2039	" " Thread Guard ... ..)
1053e	2035	" " " " Screw ... ..)
52337	1316	<b>Slack Thread Regulator</b> ... ..)
223c	1316	" " " Set Screw ... ..)
52046	1815	<b>Spool Holder Base</b> ... ..)
389d	2035	" " " Screw ... ..)
204296	1815	" " " Wire ... ..)
200079h	2034	" " " Hinge Screw ... ..)
52047	1815	<b>Spool Holder</b> , complete, Nos. 52046, 200079h and 204296 ... ..)
120067	7704	<b>Strip Guide</b> ... ..)
120068	7704	" " (adjustable) with 291f ... ..)
120069	7704	" " ( " ) Bar ... ..)
120070	7704	" " ( " ) " Plate ... ..)
50169d	7704	" " ( " ) " Screw ... ..)
50169d	7704	" " ( " ) " Screw ... ..)
291f	7704	" " ( " ) Thumb Screw ... ..)
120071	7704	<b>Strip Guide</b> (adjustable), complete, Nos. 120067 to 120070 and six 50169d ... ..)
1423d	7704	" " Screw ... ..)
2102	2032	<b>Tension Disc</b> ... ..)
1560c	2034	" Regulating Thumb Nut ... ..)
32572	2032	" Releasing Disc ... ..)
43944	1316	" " Lever ... ..)
12398	1316	" " Hinge Pin ... ..)
12329	1316	" " Spring ... ..)
32574	2032	" " Pin ... ..)
2103	2032	" Spring ... ..)
50304c	2034	" Stud ... ..)
50305c	2035	" " Set Screw ... ..)
52397	—	<b>Tension</b> , complete, Nos. 1560c, 2103, 32572, 32574, 50304c, 52083, 52394 and two 2102 ... ..)

No.	Plate					
52027	2032	<b>Thread Guard</b>	(side of arm)	...	...	...
52454	2030	"	Retainer	...	...	...
624c	2035	"	" Set Screw	...	...	...
52215	—	<b>Thread Take-up,</b>	complete, Nos. 11204, 52025 and 52217	...	...	...
52216	2373	<b>Thread Take-up Crank</b>	...	...	...	...
52217	—	"	" " 52216 with 775e and 52206	...	...	...
1037c	2035	"	" " Position Screw	...	...	...
1036c	2035	"	" " Set Screw	...	...	...
52022	1503	<b>Thread Take-up Lever</b>	with 52130	...	...	...
52023	2039	"	" " Hinge Pin	...	...	...
52024	2039	"	" " Link	...	...	...
11204	2033	"	" " Hinge Pin	...	...	...
435c	1324	"	" " " " " " Set Screw	...	...	...
52130	—	"	" " " Thread Eyelet Bushing	...	...	...
52025	—	<b>Thread Take-up Lever,</b>	complete, Nos. 52022 to 52024	...	...	...
52394	2039	<b>Thread Take-up Spring</b>	...	...	...	...
52083	2032	"	" " " Regulator with 50305e	...	...	...
448c	1324	"	" " " " " " Set Screw	...	...	...
12438	7699	<b>Throat Plate,</b>	large oblong needle hole, for 12436	...	...	...
20192	—	"	" " small " " " " " 12436	...	...	...
691f	1324	"	" " " Screw (2)	...	...	...

NOTE.—Throat Plate No. 12438 is sent with this machine unless otherwise specified on order.

*15404	—	<b>Trade Mark</b>	...	...	...	...
15405	—	"	" Rivet	...	...	...

44212	—	<b>Drip Pan</b>	with four 3/8" wire nails	...	...	...
-------	---	-----------------	---------------------------	-----	-----	-----

## PARTS COMPLETE FOR No. 96K44 MACHINE

For Overalls, Heavy Overcoats, Khaki and other heavy materials. Maximum Stitch 5 to the inch. Reversible Feed. Lift of Presser Foot 7/16". Knee Lifter.

No.	Plate				
*127214	—	<b>Arm</b>	with 15404, two each 15405 and 56015	...	...

NOTE.—Due to the accuracy required for gear alignment, Arm cannot be supplied separately and can only be sent out as a unit, Arm and Bed assembled.

16532	2032	<b>Arm Dowel Pin</b>	(2)	...	...	...
52182	2066	"	Oil Tube, with 52184, for oiling 52205	...	...	...
52183	2064	"	" " " " 52184, " " 52024, for 127193 and 150460	...	...	...
52180	2066	"	" " " (long), with 52184, for oiling 52022	...	...	...
52185	2066	"	" " " (short), " 42367, " " 52022	...	...	...
127187	2040	"	" " " with 42367, for oiling 127152, for 127193 and 150460	...	...	...
52148	2039	"	" " " ...	...	...	...
52149	—	"	" " " 52148, with 52150, for oiling 127072 and 127074	...	...	...
56015	2033	"	" " " for oiling 127058 (2)	...	...	...
52150	2039	"	" " " Packing (braided cotton)	...	...	...
42367	2064	"	" " " " ( " " " ) for 52185 and 127187	...	...	...
52184	2064	"	" " " " (cotton wick) for 52180, 52182, 52183, and 127191	...	...	...
116e	1324	"	Screw (back) (2)	...	...	...
854e	2035	"	" " (front) (2)	...	...	...
52382	2372	<b>Arm Shaft</b>	(horizontal)	...	...	...
88618	—	"	" " ( " ) 52382 with 127222	...	...	...
127072	2039	"	" " ( " ) Bevel Gear with two 1036c	...	...	...
127070	2029	"	" " ( " ) " " " Case (two pieces) with 121e	...	...	...
121e	1324	"	" " ( " ) " " " " Screw	...	...	...
1036c	2035	"	" " ( " ) " " " " Set Screw	...	...	...
52191	2040	"	" " ( " ) Flanged Bushing (back)	...	...	...
52192	—	"	" " ( " ) " " " ( " ) 52191 with 52193 and 52194	...	...	...
52193	2040	"	" " ( " ) " " " ( " ) Oil Pad (braided cotton)	...	...	...
52194	2064	"	" " ( " ) " " " ( " ) Oil Pad (felt)	...	...	...
446c	1324	"	" " ( " ) " " " ( " ) Set Screw	...	...	...
52195	2040	"	" " ( " ) " " " (front)	...	...	...

No.	Plate	
52196	—	<b>Arm Shaft (horizontal) Flanged Bushing (front) 52195 with</b>
		52193 and 52198
52193	2040	" " ( " ) " " ( " ) Oil Pad
		(braided cotton)
52198	2064	" " ( " ) " " ( " ) Oil Pad (felt)
435c	1324	" " ( " ) " " ( " ) Set Screw
68350	2039	" " ( " ) Front Bearing Oil Cup (spring lid)
144d	1324	" " ( " ) Screw
127058	2028	" " (upright)
127073	2039	" " ( " ) Bevel Gear (lower) with two 1259c
1259c	2035	" " ( " ) " " ( " ) Set Screw
127074	2039	" " ( " ) " " (upper) with two 1259c
1259c	2035	" " ( " ) " " ( " ) Set Screw
52492	2039	" " ( " ) Bushing (lower)
432c	1324	" " ( " ) " ( " ) Set Screw
52493	2039	" " ( " ) " (upper)
435c	1324	" " ( " ) " ( " ) Set Screw
127146	2066	" Side Cap
219d	1324	" " " Screw
127079	2028	" " Cover
50053d	2035	" " " Thumb Screw
52239	2064	" Spool Pin and Thread Eyelet
8879	1316	" " " Washer (cloth)
127192	2064	<b>Arm Top Cover</b>
127193	2064	" " " 127192 with 52183, 52239, 127187 and 127255
127255	2378	" " " Positioning Disc
158j	1324	" " " Screw
150459	2064	" " " Tension Bracket with 460c
158j	1324	" " " " " Screw
52239	2064	" " " " " Spool Pin
8879	1316	" " " " " " " Washer (cloth)
2455	1688	" " " " " Disc
41593	1316	" " " " " Spring
41594	1316	" " " " " Stud
460c	1324	" " " " " Set Screw
41595	1316	" " " " " Thread Guide
150460	2064	<b>Arm Top Cover Tension Bracket, complete, Nos. 41593 to</b>
		41595, 52183, 52239, 127187, 127255, 150459 and two 2455

NOTE.—No. 150460 is supplied with this machine unless No. 127193 is specified on order.

52187	2065	<b>Balance Wheel</b> (power, disc) $2\frac{3}{8}$ " pulley, with two 448c
52081	—	" " (stand, heavy rim), $2\frac{1}{8}$ " pulley, with two 448c
52063	2029	" " Oil Cover
210d	1324	" " " " Screw
448c	1324	" " " Set Screw

NOTE.—No. 52187 is supplied with this machine unless otherwise specified on order.

No.	Plate	
*52383	—	<b>Bed</b>
NOTE.—Due to the accuracy required for gear alignment, Bed cannot be supplied separately and can only be sent out as a unit, Arm and Bed assembled.		
12431	—	<b>Bed Slide</b>
12432	2028	" " complete, Nos. 4307, 12431 and two 725e
4307	2028	" " Spring
725e	1324	" " " Screw
52051	—	<b>Face Plate</b>
176d	559	" " Screw
52053	2030	" " Thread Guard (lower)
226d	1324	" " " " ( " ) Screw
52170	—	" " " " (upper)
226d	1324	" " " " ( " ) Screw
50190d	2035	" " Thumb Screw
52052	2028	<b>Face Plate, complete, Nos. 52051, 52053, 52170 and two 226d</b>
52452	2028	<b>Feed Bar</b>
313c	1324	" " Screw Centre (2)
1519c	2034	" " " " Nut (2)
52165	2066	" Connecting Link
375c	1324	" " " Hinge Screw
1518c	2034	" " " " " Nut
52073	2032	" " " " Stud
50083c	2035	" " " " " Set Screw
121446	2376	<b>Feed Dog</b> (spiked teeth)
50117c	2035	" " Screw (2)
127247	2373	<b>Feed and Feed Lifting Eccentric with 448c, 1299c, 52210 and 52211</b>
127248	—	" " " " " 127247 with 127152
52210	—	" " " " " Lubricating Pad (wood, long)
52211	—	" " " " " " " ( " short)
1299c	2040	" " " " " Position Screw
448c	1324	" " " " " Set Screw
127152	2066	" " " " " Sleeve
52407	2029	<b>Feed Forked Connection</b>
52451	—	" " " " 52407 with 375c, 1518c and 52165
375c	1324	" " " " Hinge Screw
1518c	2034	" " " " " Nut
52384	2029	<b>Feed Lifting Rock Shaft</b>
127156	2065	" " " " Connecting Rod with 127157 and two

No.	Plate	
*127157	—	<b>Feed Lifting Rock Shaft</b> Connecting Rod Cap ... ..
966e	2035	" " " " " " " " Screw ... ..
375c	1324	" " " " " " " " Hinge Screw ... ..
1518e	2034	" " " " " " " " Nut ... ..
52434	1502	" " " " " " Crank with 157c and 1813 ... ..
157c	1324	" " " " " " " " Clamping Screw ... ..
1813	2034	" " " " " " " " Roller and Stud ... ..
50191c	2034	" " " " " " " " Screw Centre (2) ... ..
1513j	1317	" " " " " " " " Nut (2) ... ..
52433	—	<b>Feed Lifting Rock Shaft, complete, Nos. 52384 and 52434</b> ... ..
50338e	2034	<b>Feed Regulating Screw Stud</b> ... ..
56032	1502	" " " " " " Head with 56033 ... ..
50193j	2035	" " " " " " Cap Screw ... ..
56033	—	" " " " " " Stop Pin ... ..
56034	1502	" " " " " " Lock Pin ... ..
56035	1502	" " " " " " Spring ... ..
52408	1502	<b>Feed Regulator</b> with 50083c ... ..
52411	—	" " 52408 with 52073 ... ..
1128c	2035	" " Hinge Screw ... ..
52409	1502	<b>Feed Reverse Lever</b> with 158e and 51846 ... ..
50339d	2034	" " " " Hinge Screw ... ..
158e	1324	" " " " " " Clamping Screw ... ..
52410	1502	" " " " " " Friction Washer ... ..
51846	2034	" " " " " " Roller and Stud ... ..
52386	2029	<b>Feed Rock Shaft</b> ... ..
29633	2032	" " " " Crank with 157c ... ..
157c	1324	" " " " " " Clamping Screw ... ..
50191c	2034	" " " " " " Screw Centre (2) ... ..
1513j	1317	" " " " " " Nut (2) ... ..
52387	—	<b>Feed Rock Shaft, complete, Nos. 29633 and 52386</b> ... ..
25866	2031	<b>Guide</b> ... ..
50190b	2035	" Thumb Screw ... ..
127088	2040	<b>Needle Bar</b> (hollow) ... ..
127116	—	" " 127088 with 229d, 52306 and 52307 ... ..
127305	2373	" " Bushing (lower) ... ..
1133c	2035	" " " ( " ) Set Screw ... ..
52448	1503	" " " (upper) ... ..
1133c	2035	" " " ( " ) Set Screw ... ..
52205	2066	" " Connecting Link with 52207 ... ..
52206	—	" " " " 52205 with 24041 ... ..

No.	Plate	
775c	2035	<b>Needle Bar</b> Connecting Link Cap Screw ... ..
52207	—	" " " " Lubricating Pad (wood) ... ..
24041	2066	" " " " Stud with 207e ... ..
207e	1688	" " " " Clamping Screw ... ..
127222	2373	" " Crank with 1036c, 1037c and 1065c ... ..
1065c	2035	" " " " Position Screw ... ..
52306	2032	" " Thread Guard ... ..
229d	2035	" " " " Screw ... ..
52307	2039	" Clamp with 51460f ... ..
51460f	2378	" " Screw ... ..
*52201	2064	<b>Oil Absorbent Wick</b> ... ..
52202	2064	" " " 52201, with 52203, for lower cavity in head of arm ... ..
*52203	2040	" " " Wire ... ..
127191	—	<b>Oil Tube, with 52184</b> ... ..
127091	2040	" " Bracket ... ..
127092	—	" " " 127091, with 127191, for oiling 52165 ... ..
12391	2028	<b>Presser Bar</b> (hollow) ... ..
52338	1316	" " Guide Bracket with 223c and 453c ... ..
453c	1316	" " " " Set Screw ... ..
5990	1503	" " Lifter ... ..
689c	1316	" " " Screw ... ..
1520r	1317	" " " " Nut ... ..
12327	1316	" " Lifting and Releasing Lever Bracket ... ..
127108	2029	" " Spring ... ..
11170	1316	" " " Washer ... ..
7298	2032	<b>Presser Foot</b> Hinge Pin ... ..
52437	—	" " Plate ... ..
52438	—	" " Shank ... ..
26231	2032	" " Spring ... ..
52439	1502	<b>Presser Foot</b> (spring hinged), complete, Nos. 7298, 26231, 52437 and 52438 ... ..
190d	1324	" " Screw ... ..
688j	1324	<b>Pressure Regulating Thumb Screw</b> ... ..
127095	2039	<b>Rotating Hook</b> with three 1253c ... ..
127096	—	" " 127095 with 127102 and four 1053c ... ..
*127239	—	" " 127096 with 40274, 127242 and three 1367d ... ..
127097	—	" " 127096 with 40274 and three 1367d (for agents only) ... ..
127240	—	" " 127239 with 52237 ... ..

No.	Plate	
40264	2032	<b>Rotating Hook Bobbin</b> ... ..
52235	—	" " " " Case ... ..
52236	—	" " " " 52235 with 591f, 1380d and 40394
40393	—	" " " " Hinge, Nos. 2974, 40392 and 125320
127242	2378	" " " " Holder ... ..
52018	2032	" " " " " Position Bracket ... ..
704j	1324	" " " " " " " " Screw ... ..
40392	2032	" " " " " Latch ... ..
125320	2066	" " " " " Lever ... ..
2974	2032	" " " " " " Fulcrum Pin ... ..
2975	2032	" " " " " Spring ... ..
592e	1324	" " " " " Stop Screw ... ..
591f	1324	" " " " " Tension Regulating Screw ... ..
40394	2032	" " " " " Spring ... ..
1380d	2035	" " " " " " Screw ... ..
52237	2032	" " " " " complete, Nos. 592e, 2975, 40393 and 52236
127241	—	" " " " " 52237 with 127242 (for agents only)
40274	2032	" " Section ... ..
1367d	2035	" " " Screw ... ..
1253c	2035	" " Set Screw ... ..
127059	2065	" " Shaft ... ..
127073	2039	" " " Bevel Gear with two 1259c ... ..
127007	2029	" " " " " Case (two pieces) with 121e and 50234d
50234d	2035	" " " " " " Plug Screw ... ..
121e	1324	" " " " " " Screw ... ..
1259c	2035	" " " " " " Set Screw ... ..
127004	2039	" " " " " Bushing (back) ... ..
127043	—	" " " " " ( " ) 127004 with 52045 ... ..
52045	2032	" " " " " ( " ) Packing (cotton) ... ..
1143c	2035	" " " " " ( " ) Set Screw ... ..
127005	2039	" " " " " (front) ... ..
127044	—	" " " " " ( " ) 127005 with 52045 ... ..
142008	2373	" " " " " ( " ) Oil Cup ... ..
52045	2032	" " " " " ( " ) Packing (cotton) ... ..
1148c	2035	" " " " " ( " ) Set Screw ... ..
127102	2039	" " Thread Guard ... ..
1053e	2035	" " " " " Screw ... ..
52337	1316	<b>Slack Thread Regulator</b> ... ..
223c	1316	" " " " " Set Screw ... ..
2102	2032	<b>Tension Disc</b> ... ..
1560c	2034	" Regulating Thumb Nut ... ..

No.	Plate	
32572	2032	<b>Tension Releasing Disc</b> ... ..
52445	1503	" " Lever ... ..
12398	1316	" " " Hinge Pin ... ..
12329	1316	" " " Spring ... ..
32574	2032	" " Pin ... ..
2103	2032	" Spring ... ..
50304c	2034	" Stud ... ..
50305c	2035	" " Set Screw ... ..
52397	—	<b>Tension</b> , complete, Nos. 1560c, 2103, 32572, 32574, 50304c, 52083, 52394 and two 2102 ... ..
52027	2032	<b>Thread Guard</b> (side of arm) ... ..
52454	2030	" Retainer ... ..
624c	2035	" " Set Screw ... ..
127289	—	<b>Thread Take-up</b> , complete, Nos. 11204, 52025 and 127291 ... ..
127290	2373	<b>Thread Take-up Crank</b> ... ..
127291	—	" " " 127290 with 775c and 52206 ... ..
1037c	2035	" " " Position Screw ... ..
1036c	2035	" " " Set Screw ... ..
52022	1503	<b>Thread Take-up Lever</b> with 52130 ... ..
52023	2039	" " " Hinge Pin ... ..
52024	2039	" " " Link ... ..
11204	2033	" " " " Hinge Pin ... ..
435c	1324	" " " " " " Set Screw ... ..
52130	—	" " " Thread Eyelet Bushing ... ..
52025	—	<b>Thread Take-up Lever</b> , complete, Nos. 52022 to 52024 ... ..
52394	2039	<b>Thread Take-up Spring</b> ... ..
52083	2032	" " " Regulator with 50305c ... ..
448c	1324	" " " " " Set Screw ... ..
26605	1502	<b>Throat Plate</b> , large needle hole, for 121446 ... ..
26606	—	" " small " " " 121446 ... ..
691f	1324	" " " Screw (2) ... ..
<i>NOTE.—No. 26605 is sent with this machine unless otherwise specified on order.</i>		
*15404	—	<b>Trade Mark</b> ... ..
15405	—	" " Rivet ... ..
44212	—	<b>Drip Pan</b> with four $\frac{3}{4}$ " wire nails ... ..

## PARTS COMPLETE FOR No. 96K45 MACHINE

**For Light, Medium and Heavy Clothing and other work in Cloth. Maximum  
Stitch 5½ to the inch. Drop Feed. Vertical Trimmer. Knee Lifter.**

No.	Plate	
*127216		Arm with 15404, two each 15405 and 56015

*NOTE:-- Due to the accuracy required for gear alignment, Arm cannot be supplied  
separately and can only be sent out as a unit, Arm and Bed assembled.*

16532	2032	Arm Dowel Pin (2)	...	...	...	...	...
52182	2066	" Oil Tube, with 52184, for oiling 52205	...	...	...	...	...
52183	2064	" " " " 52184, " " 52024, for 127193 and 150460	...	...	...	...	...
52180	2066	" " " (long) with 52184, for oiling 52022	...	...	...	...	...
52185	2066	" " " (short), " 42367, " " 52022	...	...	...	...	...
127187	2040	" " " with 42367, for oiling 127152, for 127193 and 150460	...	...	...	...	...
52148	2039	" " " ... ..	...	...	...	...	...
52149	--	" " " 52148, with 52150, for oiling 127072 and 127074	...	...	...	...	...
56015	2033	" " " for oiling 127058 (2)	...	...	...	...	...
52150	2039	" " " Packing (braided cotton) for 52149	...	...	...	...	...
42367	2064	" " " " ( " " ) " 52185 and 127187	...	...	...	...	...
52184	2064	" " " " (cotton wick) for 52180, 52182, 52183, and 127191	...	...	...	...	...
116e	1324	" Screw (back) (2)	...	...	...	...	...
854e	2035	" " (front) (2)	...	...	...	...	...
127024	2374	Arm Shaft (horizontal)	...	...	...	...	...
88619	--	" " ( " ) 127024 with 127223	...	...	...	...	...
127072	2039	" " ( " ) Bevel Gear with two 1036e	...	...	...	...	...
127070	2029	" " ( " ) " " Case (two pieces) with 121e	...	...	...	...	...
121e	1324	" " ( " ) " " " Screw	...	...	...	...	...
1036e	2035	" " ( " ) " " " Set Screw	...	...	...	...	...
52191	2040	" " ( " ) Flanged Bushing (back)	...	...	...	...	...
52192	--	" " ( " ) " " ( " ) 52191 with 52193 and 52194	...	...	...	...	...
52193	2040	" " ( " ) " " ( " ) Oil Pad (braided cotton)	...	...	...	...	...
52194	2064	" " ( " ) " " ( " ) Oil Pad (felt)	...	...	...	...	...
446e	1324	" " ( " ) " " ( " ) Set Screw	...	...	...	...	...



No.	Plate	
52195	2040	<b>Arm Shaft</b> (horizontal) Flanged Bushing (front) ... ..
52196	—	" " ( " ) " " ( " ) 52195 with
52193	2040	" " ( " ) " " ( " ) 52193 and 52198
52198	2064	" " ( " ) " " ( " ) Oil Pad
435c	1324	" " ( " ) " " ( " ) Oil Pad (felt)
68350	2039	" " ( " ) " " ( " ) Set Screw ... ..
144d	1324	" " ( " ) " " ( " ) Front Bearing Oil Cup (spring lid) ... ..
127058	2028	" " ( " ) " " ( " ) Screw ... ..
127073	2039	" " ( " ) " " ( " ) (upright) ... ..
1259c	2035	" " ( " ) " " ( " ) Bevel Gear (lower) with two 1259c ... ..
127074	2039	" " ( " ) " " ( " ) " " ( " ) Set Screw ... ..
1259c	2035	" " ( " ) " " ( " ) " " ( " ) (upper) with two 1259c ... ..
52492	2039	" " ( " ) " " ( " ) " " ( " ) Set Screw ... ..
432c	1324	" " ( " ) " " ( " ) Bushing (lower) ... ..
52493	2039	" " ( " ) " " ( " ) " " ( " ) Set Screw ... ..
435c	1324	" " ( " ) " " ( " ) " " ( " ) (upper) ... ..
127146	2066	" " ( " ) " " ( " ) " " ( " ) Set Screw ... ..
219d	1324	" " " " Side Cap ... ..
127079	2028	" " " " " " Screw ... ..
50053d	2035	" " " " " " Cover ... ..
52239	2064	" " " " " " Thumb Screw ... ..
8879	1316	" " " " " " Spool Pin and Thread Eyelet ... ..
127192	2064	" " " " " " Washer (cloth) ... ..
127193	2064	<b>Arm Top Cover</b> ... ..
127255	2378	" " " " " " 127192 with 52183, 52239, 127187 and 127255
158j	1324	" " " " " " Positioning Screw ... ..
150459	2064	" " " " " " Screw ... ..
158j	1324	" " " " " " Tension Bracket with 460c ... ..
52239	2064	" " " " " " " " Screw ... ..
8879	1316	" " " " " " " " Spool Pin ... ..
2455	1688	" " " " " " " " " " Washer (cloth) ... ..
41593	1316	" " " " " " " " Disc ... ..
41594	1316	" " " " " " " " Spring ... ..
460c	1324	" " " " " " " " Stud ... ..
41595	1316	" " " " " " " " " " Set Screw ... ..
150460	2064	" " " " " " " " Thread Guide ... ..
		<b>Arm Top Cover Tension Bracket</b> , complete, Nos. 41593 to
		41595, 52183, 52239, 127187, 127255, 150459 and two 2455

NOTE.—No. 150460 is supplied with this machine unless No. 127193 is specified on order.

52187	2065	<b>Balance Wheel</b> (power, disc) 2 $\frac{3}{16}$ " pulley, with two 448c ... ..
52063	2029	" " " " Oil Cover ... ..
210d	1324	" " " " " " Screw ... ..
448c	1324	" " " " " " Set Screw ... ..

No.	Plate	
*52383	—	<b>Bed</b> ... ..
		NOTE.—Due to the accuracy required for gear alignment, Bed cannot be supplied
		separately and can only be sent out as a unit, Arm and Bed assembled.
12431	—	<b>Bed Slide</b> ... ..
12432	2028	" " complete, Nos. 4307, 12431 and two 725c ... ..
4307	2028	" " Spring ... ..
725e	1324	" " " " Screw ... ..
52102	2374	<b>Face Plate</b> ... ..
176d	559	" " " " Screw (2) ... ..
52053	2030	" " " " Thread Guard (lower) ... ..
226d	1324	" " " " " " ( " ) Screw ... ..
52170	—	" " " " " " (upper) ... ..
226d	1324	" " " " " " ( " ) Screw ... ..
50190d	2035	" " " " " " Thumb Screw ... ..
52103	—	<b>Face Plate</b> , complete, Nos. 52053, 52102, 52170 and two 226d ... ..
52452	2028	<b>Feed Bar</b> ... ..
313c	1324	" " " " " " Screw Centre (2) ... ..
1519e	2034	" " " " " " Nut (2) ... ..
52165	2066	" " " " " " Connecting Link ... ..
375c	1324	" " " " " " Hinge Screw ... ..
1518e	2034	" " " " " " " " Nut ... ..
52073	2032	" " " " " " " " Stud ... ..
50083c	2035	" " " " " " " " Set Screw ... ..
127025	2376	<b>Feed Dog</b> , 9 teeth (12 teeth to the inch) ... ..
50117c	2035	" " " " " " Screw (2) ... ..
127224	—	<b>Feed and Feed Lifting Eccentric</b> with 448c, 52210 and 52211
127226	—	" " " " " " " " 127224 with 127152 ... ..
52210	—	" " " " " " " " Lubricating Pad (wood, long)
52211	—	" " " " " " " " " " ( " short)
448c	1324	" " " " " " " " Set Screw ... ..
127152	2066	" " " " " " " " Sleeve ... ..
20284	2029	<b>Feed Forked Connection</b> ... ..
52393	—	" " " " " " 20284 with 375c, 1518e and 52165 ... ..
375c	1324	" " " " " " Hinge Screw ... ..
1518e	2034	" " " " " " " " Nut ... ..
52384	2029	<b>Feed Lifting Rock Shaft</b> ... ..
127156	2065	" " " " " " " " Connecting Rod with 127157 and two
		966c
*127157	—	" " " " " " " " Cap ... ..
966c	2035	" " " " " " " " " " Screw ... ..

## No. 96K45 MACHINE PARTS

No	Plate	
375c	1324	<b>Feed Lifting Rock Shaft</b> Connecting Rod Hinge Screw ...
1518e	2034	" " " " " " " " Nut ...
12376	2032	" " " " " " " " Crank with 157c and 1813 ...
157c	1324	" " " " " " " " Clamping Screw ...
1813	2034	" " " " " " " " Roller and Stud ...
50191c	2034	" " " " " " " " Screw Centre (2) ...
1513j	1317	" " " " " " " " Nut (2) ...
52385	—	<b>Feed Lifting Rock Shaft</b> , complete, Nos. 12376 and 52384 ...
52074	2033	<b>Feed Regulator</b> with 50083c ...
52118	—	" " " 52074 with 52073 ...
52093	—	" " " 52118 with 818d ...
1128e	2035	" " " Hinge Screw ...
818d	2035	" " " Thumb Screw ...
52359	2033	" " " " " Stop ...
52386	2029	<b>Feed Rock Shaft</b> ...
29633	2032	" " " Crank with 157c ...
157c	1324	" " " " Clamping Screw ...
50191c	2034	" " " " Screw Centre (2) ...
1513j	1317	" " " " " Nut (2) ...
52387	—	<b>Feed Rock Shaft</b> , complete, Nos. 29633 and 52386 ...
127026	2377	<b>Knife</b> (narrow) ...
127027	2377	" (wide) ...
620c	2377	" Adjusting Screw ...
52104	2374	" Bar with 2301 ...
24431	2377	" " Crank with 191c ...
1162c	2377	" " " Coupling Pin ...
1564d	2377	" " " " " Head ...
2297	2377	" " " " " Spring ...
2022	2033	" " " Pin ...
191c	—	" " " Set Screw ...
24432	—	" " " complete, Nos. 1162c, 1564d, 2297 and 24431 ...
127028	2377	" " Driving Crank (forked) ...
16564	2377	" " " Bracket ...
127029	—	" " " " " complete, Nos. 2022, 16564, 24432 and 127028 ...
647c	2377	" " " " " Screw ...
24122	2377	" " Lifting Spring ...
24123	2377	" " " " Case ...
*24124	—	" " " " Guide ...
24906	2377	" " " " 24124 with 2523 and 24125 ...
*24125	—	" " " " Bracket ...
621j	2377	" " " " " Screw ...
2523	2377	" " " " " Pin ...

## No. 96K45 MACHINE PARTS

No.	Plate	
2301	2377	<b>Knife Bar</b> Stop Pin ...
52107	—	<b>Knife Bar</b> , complete, Nos. 621j, 24109, 24906, 52104, 52108 and three 50117c ...
52108	2377	" Holder with 620c, 2291 and two 223j ...
24109	2377	" " Handle ...
50117e	2035	" " " Screw ...
50117e	2035	" " " Screw ...
223j	1316	" Screw ...
2291	2377	" " Washer ...
127135	2373	<b>Needle Bar</b> (hollow) with 140239h ...
127137	—	" " 127135 with 127136 ...
52200	2373	" " Bushing (lower) ...
1133c	2035	" " " ( " ) Set Screw ...
52111	2373	" " " (upper) ...
1133c	2035	" " " ( " ) Set Screw ...
52205	2066	" " Connecting Link with 52207 ...
52206	—	" " " " 52205 with 24041 ...
775e	2035	" " " " Cap Screw ...
52207	—	" " " " Lubricating Pad (wood) ...
24041	2066	" " " Stud with 207e ...
207c	1688	" " " " Clamping Screw ...
127223	2373	" " Crank (eccentric) with 1036c, 1037c and 1065c ...
127032	2373	" " " ( " ) Sleeve ...
1065c	2035	" " " Position Screw ...
127136	2378	" " Thread Guide ...
140239h	2378	" Set Screw ...
*52201	2064	<b>Oil Absorbent Wick</b> ...
52202	2064	" " " 52201, with 52203, for lower cavity in head of arm ...
*52203	2040	" " " Wire ...
127191	—	<b>Oil Tube</b> , with 52184 ...
127091	2040	" " Bracket ...
127092	—	" " " 127091, with 127191, for oiling 52165 ...
12391	2028	<b>Presser Bar</b> (hollow) ...
52338	1316	" " Guide Bracket with 223c and 453c ...
453c	1316	" " " Set Screw ...
52016	1316	" " Lifter ...
689c	1316	" " " Screw ...
1520r	1317	" " " " Nut ...
12327	1316	" " Lifting and Releasing Lever Bracket ...
127108	2029	" " Spring ...
11170	1316	" " " Washer ...

No.	Plate				
127033	2376	<b>Presser Foot</b> for $\frac{1}{8}$ " to $\frac{11}{16}$ " gauges	...	...	...
127034	2376	" " " $\frac{3}{8}$ " gauge and above	...	...	...
190d	1324	" " Screw	...	...	...
<i>NOTE.—No. 127033, <math>\frac{1}{8}</math>" gauge and No. 127034, <math>\frac{3}{8}</math>" gauge, are sent with machine unless other gauges are specified on order.</i>					
50373w	2378	<b>Pressure Regulating Thumb Screw</b>	...	...	...
127095	2039	<b>Rotating Hook</b> with three 1253c	...	...	...
127096	—	" " 127095 with 127102 and four 1053c	...	...	...
*127239	—	" " 127096 " 40274, 127242 and three 1367d	...	...	...
127097	—	" " 127096 " 40274 and three 1367d (for agents only)	...	...	...
127240	—	" " 127239 with 52237	...	...	...
40264	2032	" " Bobbin	...	...	...
52235	—	" " " Case	...	...	...
52236	—	" " " 52235 with 591f, 1380d and 40394	...	...	...
40393	—	" " " Hinge Nos. 2974, 40392 and 125320	...	...	...
127242	2378	" " " Holder	...	...	...
52018	2032	" " " " Position Bracket	...	...	...
704j	1324	" " " " " Screw	...	...	...
40392	2032	" " " " Latch	...	...	...
125320	2066	" " " " " Lever	...	...	...
2974	2032	" " " " " Fulcrum Pin	...	...	...
2975	2032	" " " " " Spring	...	...	...
592e	1324	" " " " " Stop Screw	...	...	...
591f	1324	" " " " " Tension Regulating Screw	...	...	...
40394	2032	" " " " " Spring	...	...	...
1380d	2035	" " " " " Screw	...	...	...
52237	2032	" " " " " complete, Nos. 592e, 2975, 40393 and 52236	...	...	...
127241	—	" " " " " 52237 with 127242 (for agents only)	...	...	...
40274	2032	" " Section	...	...	...
1367d	2035	" " " Screw	...	...	...
1253c	2035	" " Set Screw	...	...	...
127059	2065	" " Shaft	...	...	...
127073	2039	" " " Bevel Gear with two 1259c	...	...	...
127007	2029	" " " " " Case (two pieces) with 121e and 50234d	...	...	...
50234d	2035	" " " " " Plug Screw	...	...	...
121e	1324	" " " " " Screw	...	...	...
1259c	2035	" " " " " Set Screw	...	...	...
127004	2039	" " " Bushing (back)	...	...	...
127043	—	" " " " ( " ) 127004 with 52045	...	...	...
52045	2032	" " " " ( " ) Packing (cotton)	...	...	...
1143c	2035	" " " " ( " ) Set Screw	...	...	...

No.	Plate				
127005	2039	<b>Rotating Hook Shaft Bushing (front)</b>	...	...	...
127044	—	" " " " ( " ) 127005 with 52045	...	...	...
142008	2373	" " " " ( " ) Oil Cup	...	...	...
52045	2032	" " " " ( " ) Packing (cotton)	...	...	...
1148c	2035	" " " " ( " ) Set Screw	...	...	...
127102	2039	" " Thread Guard	...	...	...
1053c	2035	" " " " Screw	...	...	...
52115	2378	<b>Slack Thread Regulator</b>	...	...	...
223c	1316	" " " Set Screw	...	...	...
2102	2032	<b>Tension Disc</b>	...	...	...
1560c	2034	" Regulating Thumb Nut	...	...	...
32572	2032	" Releasing Disc	...	...	...
43944	1316	" " Lever	...	...	...
12398	1316	" " " Hinge Pin	...	...	...
12329	1316	" " " Spring	...	...	...
32574	2032	" " Pin	...	...	...
2103	2032	" Spring	...	...	...
50304c	2034	" Stud	...	...	...
50305c	2035	" " Set Screw	...	...	...
52397	—	<b>Tension, complete, Nos. 1560c, 2103, 32572, 32574, 50304c, 52083, 52394 and two 2102</b>	...	...	...
52027	2032	<b>Thread Guard (side of arm)</b>	...	...	...
52454	2030	" Retainer	...	...	...
624c	2035	" " Set Screw	...	...	...
52054	—	<b>Thread Take-up, complete, Nos. 11204, 52025 and 52217</b>	...	...	...
52216	2373	<b>Thread Take-up Crank</b>	...	...	...
52217	—	" " " 52216 with 775c and 52206	...	...	...
1037c	2035	" " " Position Screw	...	...	...
1036c	2035	" " " Set Screw	...	...	...
52022	1503	<b>Thread Take-up Lever with 52130</b>	...	...	...
52023	2039	" " " Hinge Pin	...	...	...
52024	2039	" " " Link	...	...	...
11204	2033	" " " " Hinge Pin	...	...	...
435c	1324	" " " " " Set Screw	...	...	...
52130	—	" " " Thread Eyelet Bushing	...	...	...
52025	—	<b>Thread Take-up Lever, complete, Nos. 52022 to 52024</b>	...	...	...
52394	2039	<b>Thread Take-up Spring</b>	...	...	...
52083	2032	" " " Regulator with 50305c	...	...	...
448c	1324	" " " " Set Screw	...	...	...

No.	Plate	
5729	—	<b>Throat Plate Body</b> ... ..
†142032	2376	" " Cutting Bar for 127036 ... ..
†52131	2376	" " " " " 127040 ... ..
578d	2376	" " " " Screw ... ..
127035	2376	" " Slide ... ..
578d	2376	" " " Adjusting Screw ... ..
†127036	2376	<b>Throat Plate</b> (small needle hole), complete, Nos. 5729, 127035, 142032 and three 578d, for 127025 ... ..

NOTE.—No. 127036,  $\frac{1}{8}$ " gauge, is sent with this machine unless another gauge is specified on order.

†127040	2376	<b>Throat Plate</b> (large needle hole), complete, Nos. 5729, 52131, 127035 and three 578d, for 127025 ... ..
691f	1324	<b>Throat Plate Screw</b> ... ..
*15404	—	<b>Trade Mark</b> ... ..
15405	—	" " Rivet ... ..
44212	—	<b>Drip Pan</b> with four $\frac{3}{4}$ " wire nails ... ..

†NOTE.—When ordering state required distance of trimmed edge from seam.

## PARTS COMPLETE FOR No. 96K60 MACHINE

For Cloaks, Clothing and other work in Cloth. Maximum Stitch  $5\frac{1}{2}$  to the inch. Drop Feed. Knee Lifter.

No.	Plate	
*127218	—	<b>Arm</b> with 15404, two each 15405 and 56015 ... ..
NOTE.—Due to the accuracy required for gear alignment, Arm cannot be supplied separately and can only be sent out as a unit, Arm and Bed assembled.		
16532	2032	<b>Arm Dowel Pin</b> (2) ... ..
52182	2066	" Oil Tube, with 52184, for oiling 52205 ... ..
52183	2064	" " " " 52184, " " 52024, for 127193 and 150460
52180	2066	" " " (long), with 52184, for oiling 52022 ... ..
52185	2066	" " " (short), " 42367, " " 52022 ... ..
127187	2040	" " " with 42367, for oiling 127152, for 127193 and 150460
52148	2039	" " " ... ..
52149	—	" " " 52148, with 52150, for oiling 127072 and 127074
56015	2033	" " " for oiling 127058 (2) ... ..
52150	2039	" " " Packing (braided cotton) for 52149 ... ..
42367	2064	" " " " ( " " ) " 52185 and 127187
52184	2064	" " " " (cotton wick) for 52180, 52182, 52183, and 127191
116e	1324	" Screw (back) (2) ... ..
854e	2035	" " (front) (2) ... ..
127068	2313	<b>Arm Shaft</b> (horizontal) with 127067 ... ..
127190	—	" " ( " ) 127068 with 127199 ... ..
54897	2032	" " ( " ) Back Bearing Oil Cup (ball type) ... ..
52146	2311	" " ( " ) " " " Pad (braided cotton) ... ..
127011	2311	" " ( " ) Ball-bearing (back) ... ..
*127143	—	" " ( " ) " ( " ) Cover ... ..
127144	2311	" " ( " ) " ( " ) " 127143 with 127145
*127145	—	" " ( " ) " ( " ) " Oil Lead ... ..
219j	1324	" " ( " ) " ( " ) " Screw ... ..
52486	2311	" " ( " ) " ( " ) Locking Pin ... ..
52487	2311	" " ( " ) " ( " ) " " Cone
446c	1324	" " ( " ) " ( " ) " " Screw

No.	Plate				
127066	2311	<b>Arm Shaft</b> (horizontal)	Ball-bearing (front)	...	...
127009	2311	"	" ( " )	" ( " ) Cover	...
401e	2311	"	" ( " )	" ( " ) " Screw	...
127067	2311	"	" ( " )	" ( " ) Key	...
127072	2039	"	" ( " )	Bevel Gear with two 1036c	...
127070	2029	"	" ( " )	" " Case (two pieces) with 121e	...
121e	1324	"	" ( " )	" " " Screw	...
1036c	2035	"	" ( " )	" " Set Screw	...
52490	2311	"	" ( " )	Flanged Bushing (back)	...
448c	1324	"	" ( " )	" " ( " ) Set Screw	...
52195	2040	"	" ( " )	" " (front)	...
52196	—	"	" ( " )	" " ( " ) 52195 with	...
				52193 and 52198	...
52198	2064	"	" ( " )	" " ( " ) Oil Pad (felt)	...
52193	2040	"	" ( " )	" " ( " ) " "	...
				(braided cotton)	...
435c	1324	"	" ( " )	" " ( " ) Set Screw	...
54897	2032	"	" ( " )	Front Bearing Oil Cup (ball type)	...
52146	2311	"	" ( " )	" " " Pad (braided cotton)	...
144d	1324	"	" ( " )	Screw	...
127058	2028	"	" (upright)	...	...
127073	2039	"	" ( " )	Bevel Gear (lower) with two 1259c	...
1259c	2035	"	" ( " )	" " ( " ) Set Screw	...
127074	2039	"	" ( " )	" " (upper) with two 1259c	...
1259c	2035	"	" ( " )	" " ( " ) Set Screw	...
52492	2039	"	" ( " )	Bushing (lower)	...
432c	1324	"	" ( " )	" ( " ) Set Screw	...
52493	2039	"	" ( " )	" (upper)	...
435c	1324	"	" ( " )	" ( " ) Set Screw	...
127146	2066	"	Side Cap	...	...
219d	1324	"	" " Screw	...	...
127079	2028	"	" " Cover	...	...
50053d	2035	"	" " " Thumb Screw	...	...
52239	2064	"	" Spool Pin and Thread Eyelet	...	...
8879	1316	"	" " " Washer (cloth)	...	...
127192	2064	<b>Arm Top Cover</b>	...	...	...
127193	2064	"	" " " 127192 with 52183, 52239, 127187 and 127255	...	...
127255	2378	"	" " " Positioning Disc	...	...
158j	1324	"	" " " Screw	...	...
150459	2064	"	" " " Tension Bracket with 460c	...	...
158j	1324	"	" " " " " Screw	...	...
52239	2064	"	" " " " " Spool Pin	...	...
8879	1316	"	" " " " " Washer (cloth)	...	...
2455	1688	"	" " " " " Disc	...	...
41593	1316	"	" " " " " Spring	...	...
41594	1316	"	" " " " " Stud	...	...

No.	Plate				
460c	1324	<b>Arm Top Cover</b>	Tension Stud Set Screw	...	...
41595	1316	"	" " " " Thread Guide	...	...
150460	2064	<b>Arm Top Cover Tension Bracket</b> , complete, Nos. 41593 to 41595, 52183, 52239, 127187, 127255, 150459 and two 2455			
<i>NOTE.</i> —No. 150460 is supplied with this machine unless No. 127193 is specified on order.					
52176	2313	<b>Balance Wheel</b> (power), 2 $\frac{3}{16}$ " pulley, with two 448c			...
52063	2029	"	" " Oil Cover	...	...
210d	1324	"	" " " " Screw	...	...
448c	1324	"	" " " " Set Screw	...	...
*52383	—	<b>Bed</b>	...	...	...
<i>NOTE.</i> Due to the accuracy required for gear alignment, Bed cannot be supplied separately and can only be sent out as a unit, Arm and Bed assembled.					
12431	—	<b>Bed Slide</b>	...	...	...
12432	2028	"	" " complete, Nos. 4307, 12431 and two 725e	...	...
4307	2028	"	" " Spring	...	...
725e	1324	"	" " " " Screw	...	...
52051	—	<b>Face Plate</b>	...	...	...
176d	559	"	" " Screw	...	...
52053	2030	"	" " Thread Guard (lower)	...	...
226d	1324	"	" " " " ( " ) Screw	...	...
52170	—	"	" " " " (upper)	...	...
226d	1324	"	" " " " ( " ) Screw	...	...
50190d	2035	"	" " Thumb Screw	...	...
52052	2028	<b>Face Plate</b> , complete, Nos. 52051, 52053, 52170 and two 226d	...	...	...
52452	2028	<b>Feed Bar</b>	...	...	...
313c	1324	"	" " Screw Centre (2)	...	...
1519e	2034	"	" " " " Nut (2)	...	...
52165	2066	"	Connecting Link	...	...
375c	1324	"	" " " Hinge Screw	...	...
1518e	2034	"	" " " " " Nut	...	...
52073	2032	"	" " " " " Stud	...	...
50083c	2035	"	" " " " " Set Screw	...	...
44136	1510	<b>Feed Dog</b> for tailor work	...	...	...
12457	2036	"	" " " cloth, 16 teeth (16 teeth to the inch)	...	...
12450	2036	"	" " " " 11 " (18 " " " " )	...	...
20158	203Q	"	" " " shirt work, 17 teeth (16 teeth to the inch)	...	...
20162	2036	"	" " " " " bevelled for hemmer, 17 teeth (16 teeth to the inch)	...	...
12481	2036	"	" " " general work, 18 teeth (16 teeth to the inch)	...	...
50117c	2035	"	" " " Screw (2)	...	...
<i>NOTE.</i> —Feed Dog No. 44136 is sent with this machine unless otherwise specified on order.					

## No. 96K60 MACHINE PARTS

No.	Plate	
127202	—	<b>Feed and Feed Lifting Eccentric</b> with 448c, 1299c, 52210 and 52211
127225	—	" " " " " 127202 with 127152
52210	—	" " " " " Lubricating Pad (wood, long)
52211	—	" " " " " " ( " short)
1299c	2040	" " " " " Position Screw
448c	1324	" " " " " Set Screw
127152	2066	" " " " " Sleeve
20284	2029	<b>Feed Forked Connection</b>
52393	—	" " " " " 20284 with 375c, 1518e and 52165
375c	1324	" " " " " Hinge Screw
1518e	2034	" " " " " " " Nut
52384	2029	<b>Feed Lifting Rock Shaft</b>
127156	2065	" " " " " Connecting Rod with 127157 and two 966e
*127157	—	" " " " " " " Cap
966e	2035	" " " " " " " Screw
375c	1324	" " " " " " " Hinge Screw
1518e	2034	" " " " " " " " Nut
12376	2032	" " " " " Crank with 157c and 1813
157c	1324	" " " " " " Clamping Screw
1813	2034	" " " " " " Roller and Stud
50191c	2034	" " " " " " Screw Centre (2)
1513j	1317	" " " " " " Nut (2)
52385	—	<b>Feed Lifting Rock Shaft, complete, Nos. 12376 and 52384</b>
52074	2033	<b>Feed Regulator</b> with 50083c
52118	—	" " " 52074 with 52073
52093	—	" " " 52118 with 818d
1128c	2035	" " " Hinge Screw
818d	2035	" " " Thumb Screw
52386	2029	<b>Feed Rock Shaft</b>
29633	2032	" " " Crank with 157c
157c	1324	" " " " Clamping Screw
50191c	2034	" " " " Screw Centre (2)
1513j	1317	" " " " Nut (2)
52387	—	<b>Feed Rock Shaft, complete, Nos. 29633 and 52386</b>
25866	2031	<b>Guide</b>
50190b	2035	" Thumb Screw
127088	2040	<b>Needle Bar</b> (hollow)
127116	—	" " 127088 with 229d, 52306 and 52307
127230	2373	" " Bushing (lower)
1133c	2035	" " " ( " ) Set Screw
52014	2039	" " " (upper)
1133c	2035	" " " ( " ) Set Screw

## No. 96K60 MACHINE PARTS

No.	Plate	
52205	2066	<b>Needle Bar</b> Connecting Link with 52207
52206	—	" " " " 52205 with 24041
775e	2035	" " " " Cap Screw
52207	—	" " " " Lubricating Pad (wood)
24041	2066	" " " " Stud with 207e
207e	1688	" " " " Clamping Screw
127254	2313	" " Crank with 1036c, 1037c and 1065c
127199	—	" " " 127254 with 401e and 127009
1065c	2035	" " " Position Screw
52306	2032	" " " Thread Guard
229d	2035	" " " " Screw
52307	2039	" " " Clamp with 51460f
51460f	2378	" " " Screw
*52201	2064	<b>Oil Absorbent Wick</b>
52202	2064	" " " 52201, with 52203, for lower cavity in head of arm
*52203	2040	" " " Wire
127191	—	<b>Oil Tube, with 52184</b>
127091	2040	" " Bracket
127092	—	" " " 127091, with 127191, for oiling 52165
12391	2028	<b>Presser Bar</b> (hollow)
52338	1316	" " Guide Bracket with 223c and 453c
453c	1316	" " " Set Screw
52016	1316	" " " Lifter
689c	1316	" " " Screw
1520r	1317	" " " " Nut
12327	1316	" " " Lifting and Releasing Lever Bracket
127108	2029	" " " Spring
11170	1316	" " " Washer
20458	2030	<b>Presser Foot</b> for 44136
12142	2030	" " " 20158
12260	2030	" " " 12450
12474	2030	" " " 20162
7298	2032	<b>Presser Foot Hinge Pin</b>
19334	—	" " Plate
19335	—	" " Shank
19336	2030	<b>Presser Foot</b> (hinged), complete, Nos. 7298, 19334 and 19335 for 44136
190d	1324	" " " Screw
NOTE.—Presser Foot No. 20458 is sent with this machine unless otherwise specified on order.		
688j	1324	<b>Pressure Regulating Thumb Screw</b>

No.	Plate	
127095	2039	<b>Rotating Hook</b> with three 1253c ...
127096	—	" " 127095 with 127102 and four 1053e ...
*127239	—	" " 127096 " 40274, 127242 and three 1367d ...
127097	—	" " 127096 " 40274 and three 1367d ( for agents only)
127240	—	" " 127239 " 52237 ...
40264	2032	" " Bobbin ...
52235	—	" " " Case ...
52236	—	" " " " 52235 with 591f, 1380d and 40394
40393	—	" " " " Hinge, Nos. 2974, 40392 and 125320
127242	2378	" " " " Holder ...
52018	2032	" " " " " Position Bracket ...
704j	1324	" " " " " " " Screw ...
40392	2032	" " " " Latch ...
125320	2066	" " " " " Lever ...
2974	2032	" " " " " Fulcrum Pin ...
2975	2032	" " " " " Spring ...
592e	1324	" " " " " Stop Screw ...
591f	1324	" " " " " Tension Regulating Screw ...
40394	2032	" " " " " Spring ...
1380d	2035	" " " " " Screw ...
52237	2032	" " " " complete, Nos. 592e, 2975, 40393 and 52236
127241	—	" " " " 52237 with 127242 (for agents only)
40274	2032	" " Section ...
1367d	2035	" " Screw ...
1253c	2035	" " Set Screw ...
127059	2065	" " Shaft ...
127073	2039	" " Bevel Gear with two 1259c ...
127007	2029	" " " " Case (two pieces) with 121e and 50234d
50234d	2035	" " " " Plug Screw ...
121e	1324	" " " " Screw ...
1259c	2035	" " " " Set Screw ...
127004	2039	" " Bushing (back) ...
127043	—	" " " " ( " ) 127004 with 52045 ...
52045	2032	" " " " ( " ) Packing (cotton) ...
1143c	2035	" " " " ( " ) Set Screw ...
127005	2039	" " " " (front) ...
127044	—	" " " " ( " ) 127005 with 52045 ...
142008	2373	" " " " ( " ) Oil Cup ...
52045	2032	" " " " ( " ) Packing (cotton) ...
1148c	2035	" " " " ( " ) Set Screw ...
127102	2039	" " Thread Guard ...
1053e	2035	" " " " Screw ...
52337	1316	<b>Slack Thread Regulator</b> ...
223c	1316	" " " Set Screw ...

No.	Plate	
2102	2032	<b>Tension Disc</b> ...
1560c	2034	" Regulating Thumb Nut ...
32572	2032	" Releasing Disc ...
43944	1316	" " Lever ...
12398	1316	" " " Hinge Pin ...
12329	1316	" " " Spring ...
32574	2032	" " Pin ...
2103	2032	" Spring ...
50304c	2034	" Stud ...
50305c	2035	" " Set Screw ...
52397	—	<b>Tension</b> , complete, Nos. 1560c, 2103, 32572, 32574, 50304c, 52083, 52394 and two 2102 ...
52027	2032	<b>Thread Guard</b> (side of arm) ...
52454	2030	" Retainer ...
624c	2035	" " Set Screw ...
52215	—	<b>Thread Take-up</b> , complete, Nos. 11204, 52025 and 52217 ...
52216	2373	<b>Thread Take-up Crank</b> ...
52217	—	" " " 52216 with 775c and 52206 ...
1037c	2035	" " " Position Screw ...
1036c	2035	" " " Set Screw ...
52022	1503	<b>Thread Take-up Lever</b> with 52130 ...
52023	2039	" " " Hinge Pin ...
52024	2039	" " " Link ...
11204	2033	" " " Hinge Pin ...
435c	1324	" " " " " Set Screw ...
52130	—	" " " Thread Eyelet Bushing ...
52025	—	<b>Thread Take-up Lever</b> , complete, Nos. 52022 to 52024 ...
52394	2039	<b>Thread Take-up Spring</b> ...
52083	2032	" " " Regulator with 50305c ...
448c	1324	" " " " Set Screw ...
44137	1510	<b>Throat Plate</b> , large needle hole, for 44136 ...
12411	2036	" " " " " " 12457 ...
19409	2036	" " " " " " 20162 ...
19410	2036	" " small " " " 20162 ...
12482	—	" " large " " " 12481 ...
12483	2036	" " small " " " 12481 ...
691f	1324	" " Screw (2) ...
<i>NOTE.—Throat Plate No. 44137 is sent with this machine unless otherwise specified on order.</i>		
*15404	—	<b>Trade Mark</b> ...
15405	—	" " Rivet ...
44212	—	<b>Drip Pan</b> with four $\frac{3}{4}$ " wire nails ...

## IRON BASE

No.	Plate						
19219	2033	Bed Frame Cushion (leather)	...	...	...	...	...
158c	1324	" " " Screw	...	...	...	...	...
19220	2033	" " " Spring	...	...	...	...	...
19226	2039	" " Hinge Connection	...	...	...	...	...
19398	---	" " " " 19226 with 211f and 19397	...	...	...	...	...
19397	2033	" " " " Cap	...	...	...	...	...
211f	2035	" " " " " Screw	...	...	...	...	...
16555	2033	" " " Plate	...	...	...	...	...
14010	2033	" " " " Rivet	...	...	...	...	...
20067	1512	Bed Frame with two each 16555, 19398, four each 19219, 19220, six each 14010, wood screws 1½" No. 12, and eight 158c	...	...	...	...	...

## TAPE HOLDER

(8 IN. DISC)

FOR 96K43 MACHINE

No.	Plate						
26061	7708	Bracket Wire with disc	...	...	...	...	...
26062	7708	Disc (adjustable) with 35925 and 50053d	...	...	...	...	...
35925	---	" Hub	...	...	...	...	...
50053d	2035	" Thumb Screw	...	...	...	...	...
26063	7708	Tape Holder (straight), 8" disc, complete, Nos. 26061 and 26062	...	...	...	...	...
190d	1324	" " Set Screw	...	...	...	...	...

## ACCESSORIES

No.	Plate						
40264	2032	Bobbin (5)	...	...	...	...	...
12361	2039	Machine Hinge Connection (2)	...	...	...	...	...
36569	2031	Oiler	...	...	...	...	...
25537	2031	Screw Driver (large)	...	...	...	...	...
120378	2031	" " (small)	...	...	...	...	...
8908	---	Wrench for 96K45 Machine	...	...	...	...	...
8909	---	" " 96K45 "	...	...	...	...	...
---	---	Screw (wood), ½" No. 5, for 96K45 Machine (4)	...	...	...	...	...



# BOBBIN WINDERS

## BOBBIN WINDER (swinging automatic, left hand) for 40264

No.	Plate		...	...	...	...	...
41913	2007	Bracket with 457c	...	...	...	...	...
41583	2007	Frame with 457c	...	...	...	...	...
34105	2007	" Hinge Pin	...	...	...	...	...
457c	1324	" " " Set Screw	...	...	...	...	...
41914	2007	" Spring	...	...	...	...	...
41585	2007	Pulley with 171d	...	...	...	...	...
171d	1324	" Set Screw	...	...	...	...	...
41586	2007	Spindle	...	...	...	...	...
41587	2007	Stop Latch	...	...	...	...	...
42614	2007	" " Hinge Stud	...	...	...	...	...
457c	1324	" " " " Set Screw	...	...	...	...	...
7958	2032	" " Stop Pin	...	...	...	...	...
41588	2007	" " Tripping Arm with 185h	...	...	...	...	...
185h	1324	" " " " Clamping Screw	...	...	...	...	...
60845	2007	Bobbin Winder, Nos. 7958, 34105, 41583, 41585 to 41588, 41913, 41914 and 42614	...	...	...	...	...
41915	—	<b>Bobbin Winder</b> , complete, Nos. 880e, 25446 and 60845	...	...	...	...	...
880e	2035	" " Screw	...	...	...	...	...
25446	2033	" " " Washer	...	...	...	...	...

*This Bobbin Winder is sent with machine unless otherwise specified on order.*

## BOBBIN WINDER (swinging automatic, right hand) for use with Individual Motor.

*Arm Top Cover Tension Bracket No. 127193 is supplied in place of No. 150460 when this Bobbin Winder is fitted to machine.*

No.	Plate		...	...	...	...	...
41339	1687	Base	...	...	...	...	...
41340	1687	Frame	...	...	...	...	...
1429d	1688	" Hinge Screw	...	...	...	...	...
41341	1687	" Spring	...	...	...	...	...
207d	1688	" " Screw	...	...	...	...	...
41342	1687	Pulley with 200f	...	...	...	...	...
200f	1688	" Set Screw	...	...	...	...	...
41343	1688	Spindle	...	...	...	...	...
27306	1688	Spool Pin	...	...	...	...	...
27307	1687	" Stand	...	...	...	...	...
†27308	1687	" " complete, Nos. 418e, 1562j, 2106, 10141, 11241, 27306, 27307, two each 2455 and wood screws 1" No. 10	...	...	...	...	...
11241	1687	Spool Washer (cloth)	...	...	...	...	...
41344	1688	Stop Latch	...	...	...	...	...
41345	1688	" " Finger	...	...	...	...	...
152f	1688	" " " Screw	...	...	...	...	...
1430d	1688	" " Hinge Screw	...	...	...	...	...
1550h	1688	" " " " Nut	...	...	...	...	...
41346	1688	" " Lever	...	...	...	...	...
1430d	1688	" " " Hinge Screw	...	...	...	...	...
2455	1688	Tension Disc	...	...	...	...	...
1562j	1688	" Regulating Thumb Nut	...	...	...	...	...
418e	1688	" Screw Stud	...	...	...	...	...
10141	1688	" Spring	...	...	...	...	...
2106	1688	" Thread Guide	...	...	...	...	...
60456	—	Bobbin Winder, Nos. 152f, 207d, 1429d, 1550h, 41339 to 41346, and three 1430d	...	...	...	...	...
41347	1687	Bobbin Winder, 60456, with two each 9331 and wood screws 1" No. 10 R.H.B.	...	...	...	...	...
41348	—	<b>Bobbin Winder</b> (swinging automatic, right hand), complete, Nos. 27308 and 41347	...	...	...	...	...
—	—	Bobbin Winder Screw (wood) 1" No. 10 R.H.B.	...	...	...	...	...
9331	1688	" " " Washer	...	...	...	...	...

† As No. 27308 can be supplied either Plated or Japanned, it is necessary, when ordering, to state which is required.

**BOBBIN WINDER (swinging automatic, right hand)  
for machines when used on Power Table.**

*Arm Top Cover Tension Bracket No. 127193 is supplied in place of No. 150460 when this Bobbin Winder is fitted to machine.*

No.	Plate	
225433	10885	Bobbin Winder and Tension Bracket Base ... ..
225453	10884	Frame with 202277 and 225438 ... ..
225454	10884	" Hinge Pin ... ..
202277	—	" Oil Packing (wick) ... ..
225438	10884	" " Well Cap ... ..
225455	10884	" Spring ... ..
225456	10884	" " Plunger ... ..
202473	10885	Pulley with 200380c ... ..
200380c	—	" Set Screw ... ..
225381	10884	Spindle ... ..
225444	10884	Stop Latch ... ..
200056e	10884	" " Screw ... ..
225458	10884	" " Thumb Lever ... ..
225459	10884	" " " " Hinge Stud ... ..
225459	10884	" " " " Joint Stud ... ..
202478	10884	" " Trip Lever ... ..
200299h	10884	" " " " Hinge Screw ... ..
225461	10881	Tension Bracket with 201499j ... ..
200082d	10881	" " Screw ... ..
228026	10884	" " " Washer ... ..
2102	2032	" Disc ... ..
13710	—	" Spring ... ..
201499j	10881	" Stud ... ..
201572j	10881	" " Thumb Nut ... ..
225462	10881	Tension Bracket, complete, Nos. 13710, 201572j, 225461 and two 2102 ... ..
225382	10885	<b>Bobbin Winder</b> , complete, Nos. 200056e, 200082d, 200299h, 202473, 202478, 225381, 225433, 225444, 225453 to 225456, 225458, 225462, 228026, two each 225459 and wood screw $\frac{3}{4}$ " No. 12 R.H.B. ... ..

## ATTACHMENTS

*When ordering Binders send sample of the binding and of the material to be bound.*

### BINDER for Cap Peak Work

No.	Plate	
85678	559	Feed Dog ... ..
85459	559	Folder Base ... ..
85460	559	" (top) ... ..
207d	1688	" ( " ) Binding Screw ... ..
85461	—	" (bottom) ... ..
SS50d	186	" ( " ) Binding Screw ... ..
85462	559	" Roller Guide, Nos. 701d, 85463 and 85464 ... ..
SS50d	186	" " " Binding Screw ... ..
85463	—	" " " Bracket ... ..
85464	—	" " " Roller ... ..
701d	1324	" " " Screw ... ..
176d	559	" Screw (to fasten to machine) ... ..
85325	186	" " Washer ... ..
85458	559	Folder, complete, Nos. 85459 to 85462, two 207d and four SS50d
85679	559	Presser Foot ... ..
85680	559	Throat Plate ... ..
85681	559	<b>Binder</b> , complete, Nos. 85458, 85678 to 85680, two each 176d and 85325 ... ..

### BINDER for Cardigan Jackets

No.	Plate	
85682	558	Feed Dog ... ..
85336	—	Folder Base ... ..
85337	—	" Folding Plate (top) ... ..
85338	—	" " " (bottom) ... ..
233d	1324	" " " Screw for 85337 and 85338 ... ..
SS50d	186	" Screw ... ..
85325	186	" " Washer ... ..
85335	—	Folder, complete, Nos. 85336 to 85338 and four 233d ... ..

## ATTACHMENTS

No.	Plate		...	...	...	...	...
85683	558	Presser Foot	...	...	...	...	...
85324	—	Tape Tension Pin (bent)	...	...	...	...	...
85323	—	" " (straight)	...	...	...	...	...
85340	—	" " Plate	...	...	...	...	...
85339	558	" " complete, Nos. 85324, 85340 and four 85323	...	...	...	...	...
207d	1688	" " Screw	...	...	...	...	...
85325	186	" " Washer	...	...	...	...	...
85684	558	Throat Plate	...	...	...	...	...
85685	558	<b>Binder</b> , complete, Nos. SS50d, 207d, 85335, 85339, 85682 to 85684, and two 85325	...	...	...	...	...

BINDER,  $\frac{1}{2}$ ", for General Work

No.	Plate		...	...	...	...	...
85686	558	Feed Dog	...	...	...	...	...
85320	558	Folder	...	...	...	...	...
SS50d	186	" Screw	...	...	...	...	...
85325	186	" " Washer	...	...	...	...	...
85687	—	Presser Foot Bracket	...	...	...	...	...
85688	—	" " Hinge Pin	...	...	...	...	...
85689	—	" " Sole	...	...	...	...	...
85690	558	" " (hinged), complete, Nos. 85687 to 85689	...	...	...	...	...
85324	—	Tape Tension Pin (bent)	...	...	...	...	...
85323	—	" " (straight)	...	...	...	...	...
85322	—	" " Plate	...	...	...	...	...
85321	557	" " complete, Nos. 85322, 85324 and eight 85323	...	...	...	...	...
SS50d	186	" " Screw	...	...	...	...	...
85325	186	" " Washer	...	...	...	...	...
85691	558	Throat Plate	...	...	...	...	...
85692	558	<b>Binder</b> , complete, Nos. 85320, 85321, 85686, 85690, 85691, two each SS50d and 85325	...	...	...	...	...

BINDER,  $\frac{1}{2}$ ", for Stay Work

No.	Plate		...	...	...	...	...
85693	557	Feed Dog	...	...	...	...	...
85614	—	Folder	...	...	...	...	...
SS65d	1324	" Screw	...	...	...	...	...
85694	—	Presser Foot Bracket	...	...	...	...	...
85616	—	" " Hinge Pin	...	...	...	...	...
85695	—	" " Sole	...	...	...	...	...
85696	557	" " (hinged), complete, Nos. 85616, 85694 and 85695	...	...	...	...	...
85324	—	Tape Tension Pin (bent)	...	...	...	...	...
85323	—	" " (straight)	...	...	...	...	...
85322	—	" " Plate	...	...	...	...	...
85321	557	" " complete, Nos. 85322, 85321 and eight 85323	...	...	...	...	...
SS50d	186	" " Screw	...	...	...	...	...
85325	186	" " Washer	...	...	...	...	...
85697	557	Throat Plate	...	...	...	...	...
85698	557	<b>Binder</b> , complete, Nos. SS50d, SS65d, 85321, 85325, 85614, 85693, 85696 and 85697	...	...	...	...	...

BINDER,  $\frac{1}{2}$ ", for Stay Work

No.	Plate		...	...	...	...	...
85699	186	Base	...	...	...	...	...
85597	186	Binder	...	...	...	...	...
85324	—	Tape Tension Pin (bent)	...	...	...	...	...
85323	—	" " (straight)	...	...	...	...	...
85700	186	Binder and Tension only, complete, Nos. 85324, 85597, 85699 and nine 85323	...	...	...	...	...
SS50d	186	" Screw	...	...	...	...	...
85325	186	" " Washer	...	...	...	...	...
85701	186	Feed Dog	...	...	...	...	...
85702	—	Presser Foot Bracket	...	...	...	...	...
85703	—	" " Hinge Pin	...	...	...	...	...
85704	—	" " Sole	...	...	...	...	...
85705	186	" " (hinged), complete, Nos. 85702 to 85704	...	...	...	...	...
85706	186	Throat Plate	...	...	...	...	...
85707	186	<b>Binder</b> , complete, Nos. SS50d, 85325, 85700, 85701, 85705 and 85706	...	...	...	...	...

**BINDER,  $\frac{3}{16}$ "**, for Stay Work

No.	Plate								
85711	187	Base	...	...	...	...	...	...	...
85603	187	Binder	...	...	...	...	...	...	...
85604	187	Folder	...	...	...	...	...	...	...
207d	1688	" Screw	...	...	...	...	...	...	...
85325	186	" " Washer	...	...	...	...	...	...	...
85605	187	Tape Guide	...	...	...	...	...	...	...
85606	187	" " Bracket	...	...	...	...	...	...	...
207d	1688	" " " Screw	...	...	...	...	...	...	...
85325	186	" " " Washer	...	...	...	...	...	...	...
207d	1688	" " " Screw	...	...	...	...	...	...	...
85325	186	" " " Washer	...	...	...	...	...	...	...
85607	—	" Tension Pin	...	...	...	...	...	...	...
85712	187	<b>Binder, Folder and Tension</b> only, complete, Nos. 85603 to 85606, 85711, three each 207d, 85325 and seven 85607							
SS50d	186	Binder Screw	...	...	...	...	...	...	...
85325	186	" " Washer	...	...	...	...	...	...	...
85701	186	Feed Dog	...	...	...	...	...	...	...
85702	—	Presser Foot Bracket	...	...	...	...	...	...	...
85703	—	" " " Hinge Pin	...	...	...	...	...	...	...
85704	—	" " Sole	...	...	...	...	...	...	...
85705	186	" " (hinged), complete, Nos. 85702 to 85704	...	...	...	...	...	...	...
85706	186	Throat Plate	...	...	...	...	...	...	...
85713	187	<b>Binder</b> , complete, Nos. SS50d, 85325, 85701, 85705, 85706 and 85712							

**BRAIDER FOOT (long shank, adjustable)**

No.	Plate								
86179	—	Braider Foot	...	...	...	...	...	...	...
86176	—	" " Guide (wire)	...	...	...	...	...	...	...
SS182d	1324	" " " Screw	...	...	...	...	...	...	...
86180	560	<b>Braider Foot</b> , complete, Nos. 86179, two each SS182d and 86176							
86178	560	<b>Braider Foot</b>	...	...	...	...	...	...	...

*When ordering Corders state size or number of cords to the inch.*

**CORDER (adjustable), for Fine Cording**

No.	Plate								
85842	560	Base	...	...	...	...	...	...	...
85843	560	Finger Arm	...	...	...	...	...	...	...
85844	560	" " Adjustable Bracket	...	...	...	...	...	...	...
85845	—	" " " " Block	...	...	...	...	...	...	...
393c	1324	" " " " Screw	...	...	...	...	...	...	...
316c	1324	" " " " Screw Centre	...	...	...	...	...	...	...
1547d	2378	" " " " " Nut	...	...	...	...	...	...	...
NN41d	2034	" " " " Thumb Nut	...	...	...	...	...	...	...
50053d	2035	" " " " " Set Screw	...	...	...	...	...	...	...
85846	560	<b>Corder</b> only, complete, Nos. NN41d, 393c, 50053d, 85842 to 85845, two each 316c and 1547d							
85864	560	Feed Dog	...	...	...	...	...	...	...
85865	560	Presser Foot	...	...	...	...	...	...	...
85866	560	Throat Plate	...	...	...	...	...	...	...
85867	560	<b>Corder</b> , complete, Nos. SS50d, 85846 and 85864 to 85866							
SS50d	186	" Screw (to fasten to machine)	...	...	...	...	...	...	...

**CORDER (bow), for Top Cording**

No.	Plate								
85868	201	Corder Bow	...	...	...	...	...	...	...
85869	201	Presser Foot	...	...	...	...	...	...	...
759d	1324	" " Thumb Screw	...	...	...	...	...	...	...
95870	201	<b>Corder (bow)</b> , complete, Nos. 759d, 85868 and 85869							



## HEMMER FEET-- Contd.

No.	Plate						
86544	—	$\frac{1}{16}$ "	flat sole, with groove	...	...	...	...
86545	—	$\frac{3}{32}$ "	" " " "	...	...	...	...
86546	1931	$\frac{1}{8}$ "	" " " "	...	...	...	...
86547	—	$\frac{5}{32}$ "	" " " "	...	...	...	...
86548	—	$\frac{3}{16}$ "	" " " "	...	...	...	...
86549	—	$\frac{7}{32}$ "	" " " "	...	...	...	...
86550	—	$\frac{1}{4}$ "	" " " "	...	...	...	...

## PRESSER FOOT

No.	Plate						
86188	958		Presser Foot (narrow) for narrow tucking	...	...	...	...

## QUILTER

No.	Plate						
86041	958		Clamp with 207d	...	...	...	...
207d	1688		" Screw	...	...	...	...
86042	958		Rod	...	...	...	...
86043	958		Quilter, complete, Nos. 86041 and 86042	...	...	...	...

## TUCKERS (long arm)

No.	Plate						
36387	1315		Space Guide	...	...	...	...
35510	1315		" " Base with 35512, 35514 and two 1426e	...	...	...	...
402d	1317		" " " Screw	...	...	...	...
35511	1317		" " Indicator	...	...	...	...
35512	1317		" " Pin...	...	...	...	...
35513	1317		" " Stop (left)	...	...	...	...
35514	1317		" " " ( " ) Guide Pin	...	...	...	...
1426e	1317		" " " ( " ) Screw Stud	...	...	...	...
1657d	1317		" " " ( " ) Thumb Nut	...	...	...	...
17718	1317		" " " ( " ) " " Washer	...	...	...	...
35515	1317		" " " (right)	...	...	...	...
1426e	1317		" " " ( " ) Screw Stud	...	...	...	...
1657d	1317		" " " ( " ) Thumb Nut	...	...	...	...
17718	1317		" " " ( " ) " " Washer	...	...	...	...
50053d	2035		" " " Thumb Screw	...	...	...	...
36388	—		Space Guide, complete, Nos. 35510, 35511, 35513, 35515, 36387, 50053d, two each 1657d and 17718	...	...	...	...

No.	Plate						
35517	1309		Tuck Guide Arm	...	...	...	...
1177d	1317		" " " Screw	...	...	...	...
35518	1309		" " Base	...	...	...	...
50134e	1317		" " " Screw Stud	...	...	...	...
36389	1309		" " Bracket	...	...	...	...
307c	1317		" " " Screw Centre	...	...	...	...
1513j	1317		" " " " " Nut	...	...	...	...
36390	1317		" " " Spring	...	...	...	...
36391	1315		" " " " Plate	...	...	...	...
9d	1317		" " " " Screw	...	...	...	...
423c	1317		" " " Stop Screw	...	...	...	...
1520r	1317		" " " " " Nut	...	...	...	...
36392	1309		" " Frame	...	...	...	...
36393	1317		" " " Spring	...	...	...	...
1510e	1317		" " " " Nut	...	...	...	...
35524	1317		" " " " Washer	...	...	...	...
803c	1317		" " " Stop Screw	...	...	...	...
1520r	1317		" " " " " Nut	...	...	...	...
35511	1317		" " Indicator	...	...	...	...
35525	1309		" " Plate	...	...	...	...
1115f	1317		" " Screw	...	...	...	...
36394	—		Tuck Guide, complete, Nos. 9d, 423c, 803c, 1510e, 35511, 35517, 35518, 35524, 35525, 36389 to 36393, 50134e, two each 307c, 1115f, 1177d, 1513j, 1520r and three wood screws $\frac{1}{4}$ " No. 10	...	...	...	...
36395	—		Tucker (long arm), complete, Nos. 35528, 36388, 36394 and two 402d	...	...	...	...
52031	967		Feed Dog for shirt work	...	...	...	...
35528	1510		Presser Foot (wide) for 36395	...	...	...	...
40322	1510		" " (narrow) for 36395	...	...	...	...
36654	1510		" " for tucking shirt bosoms, for 36670	...	...	...	...
52032	—		Throat Plate, large needle hole, for 52031	...	...	...	...
52033	967		" " small " " " 52031	...	...	...	...
36670	—		Tucker (long arm), complete, for pin tucking, Nos. 36388, 36394, 36654 and two 402d	...	...	...	...

## KNEE LIFTER

No.	Plate	
5596	2028	Bell Crank ... ..
5598	2028	" " 5596 with 5599, 5601 and 5735 ... ..
5599	2028	" " Bracket ... ..
178e	1324	" " " Screw ... ..
5601	2032	" " Hinge Pin ... ..
5735	2032	" " Spring ... ..
12237	2379	Lifting Lever with 448c ... ..
52028	2029	" " Connecting Rod ... ..
12416	1316	" " " " Joint ... ..
76d	1324	" " " " Hinge Screw ... ..
1521e	2034	" " " " Lock Nut ... ..
802d	2035	" " Hinge Screw ... ..
12241	1316	" " Link ... ..
766d	1324	" " " Hinge Screw ... ..
12240	1316	" " Pin ... ..
448c	1324	" " " Set Screw ... ..
2763	2379	Rock Shaft ... ..
97502	1815	" " Bracket ... ..
—	—	" " " Screw (wood) 1" No. 10 ... ..
2765	2379	" " Knee Arm ... ..
2768	—	" " " " 2765 with 2766 and 2767 ... ..
2766	2379	" " " " Hub with 356c ... ..
356c	1324	" " " " Set Screw ... ..
2767	2379	" " " Plate with 356c ... ..
356c	1324	" " " " Set Screw ... ..
6337	2379	" " Lifting Bracket with two 356c ... ..
2778	2379	" " " " Hook ... ..
356c	1324	" " " " Set Screw ... ..
356c	1324	" " " " Set Screw ... ..
2770	2379	" " Stop Dog with 356c ... ..
356c	1324	" " " " Set Screw ... ..
84789	2379	Rock Shaft, complete, Nos. 2763, 2768, 2770, 2778, 6337, two 97502 and four wood screws 1" No. 10 ... ..
85246	—	Knee Lifter, complete, Nos. 76d, 766d, 802d, 1521e, 5598, 12237, 12240, 12241, 12416, 52028, 84789 and two 178e ... ..

## KNIFE GRINDER

FOR 96K45 MACHINE

for Nos. 127026 and 127027

No.	Plate	
27565	2380	Emery Wheel, 2" diam. ... ..
1508j	22214	" " Clamping Nut ... ..
27822	22214	" " " Washer ... ..
27567	22214	" " Shaft ... ..
60934	—	" " " 27567 with 1508j, 27565, 27569 and 27822 ... ..
27568	22214	" " " Oil Hole Cover (rubber) ... ..
27569	22214	" " " Pulley ... ..
310k	22214	" " " Screw Centre ... ..
1516j	22214	" " " " Nut ... ..
27564	2380	Frame with 27574 ... ..
899j	22214	Knife Clamping Screw ... ..
126304	—	" Holder Body ... ..
126305	22214	Knife Holder, complete, Nos. 899j, 27660 and 126304 ... ..
27323	22214	" " Guide Bar ... ..
27572	2380	" " " " Bracket with 27574 ... ..
310k	22214	" " " " Screw Centre ... ..
1516j	22214	" " " " " Nut ... ..
27573	22214	" " " " Spring ... ..
27574	22214	" " " " Hook ... ..
27659	22214	" " Stop Collar with 237k ... ..
237k	22214	" " " Set Screw ... ..
27660	—	" Position Pin ... ..
261j	22214	" Regulating Thumb Screw ... ..
27662	2380	Wrench for 1508 and 1516 ... ..
60583	—	Knife Grinder, Nos. 261j, 27323, 27564, 27572, 27573, 27660, 60934, two 27568, four each 310k and 1516j ... ..
126306	—	Knife Grinder, complete, Nos. 27662, 60583, 126305 and two wood screws 1" No. 10 ... ..

# THREAD UNWINDER

## FOR TWO SPOOLS OF THREAD

No.	Plate						
225257	1621	Spool Rest with 201018c	...	...	...	...	...
150203	—	" " Cushion (felt)	...	...	...	...	...
225388	1621	" " Rod	...	...	...	...	...
200383c	2034	" " " Set Screw	...	...	...	...	...
201018c	2034	" " Set Screw	...	...	...	...	...
202490	1621	" Stand with 200383c	...	...	...	...	...
225391	1621	Thread Guide	...	...	...	...	...
201696j	2034	" " Lock Nut	...	...	...	...	...
225326	—	" " Position Cup	...	...	...	...	...
225324	1621	" " Rod with 208e and 225322	...	...	...	...	...
208e	2035	" " " Screw	...	...	...	...	...
225322	—	" " " Washer	...	...	...	...	...
225258	1621	<b>Thread Unwinder</b> , complete, Nos. 201696j, 202490, 225257, 225324, 225326, 225388, two each 150203, 225391 and three wood screws $\frac{7}{8}$ " No. 12	...	...	...	...	...
27739	—	<b>Thread Cone</b> (wood) for large cones	...	...	...	...	...
225390	—	" " Holder for inverted cones	...	...	...	...	...

NOTE.—Nos. 27739 and 225390 are used with, but not included in 225258.