

**SINGER**  
**K38 Motor**

**SINGER\***

**SERIES**

**K38**

**MOTOR**

# SINGER\*

## SERIES K38

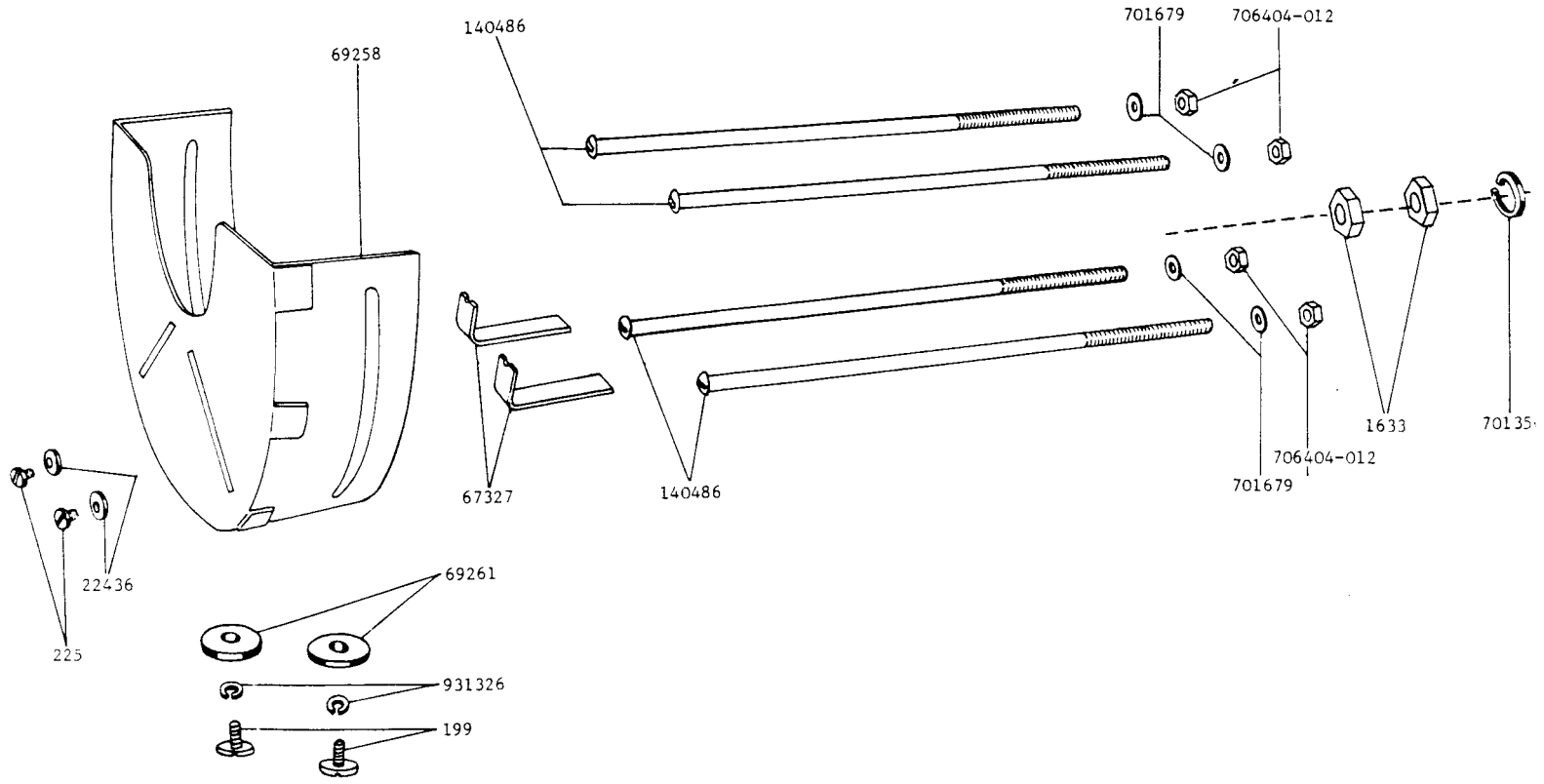
### MOTOR

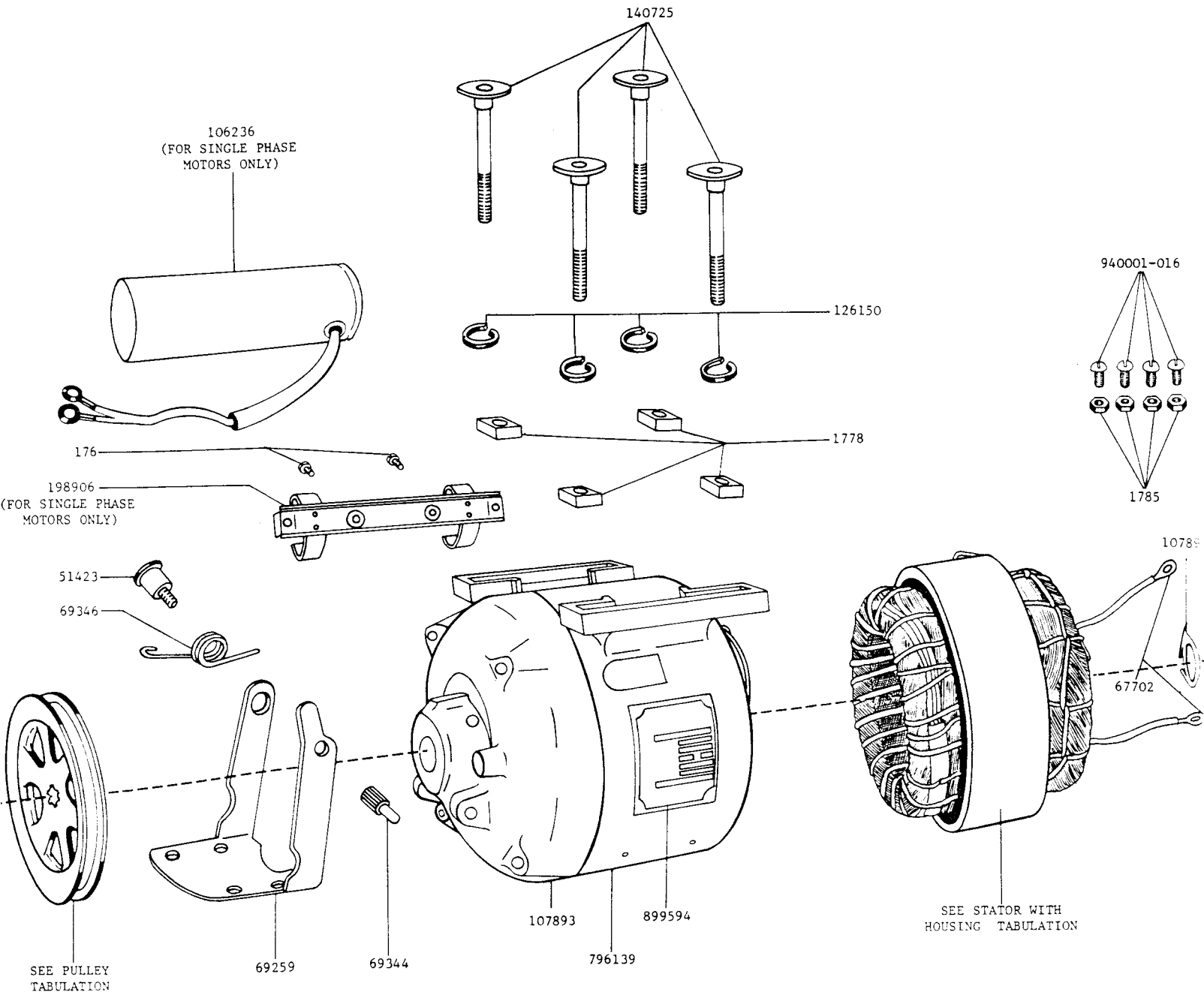
198782  
WARNING PLATE  
(FOR SINGLE PHASE  
MOTORS ONLY)

**IMPORTANT**  
CONNECT WHITE  
MOTOR LEAD TO  
SUPPLY NEUTRAL

FOR USE ONLY  
ON CIRCUITS WITH  
GROUNDED NEUTRAL

198577  
WARNING PLATE  
(USED ONLY ON LETTERED  
THREE PHASE MOTORS)



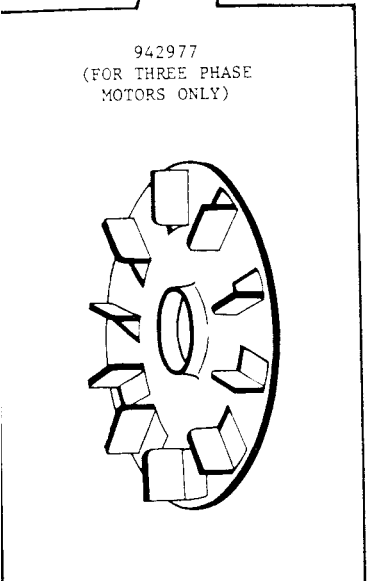
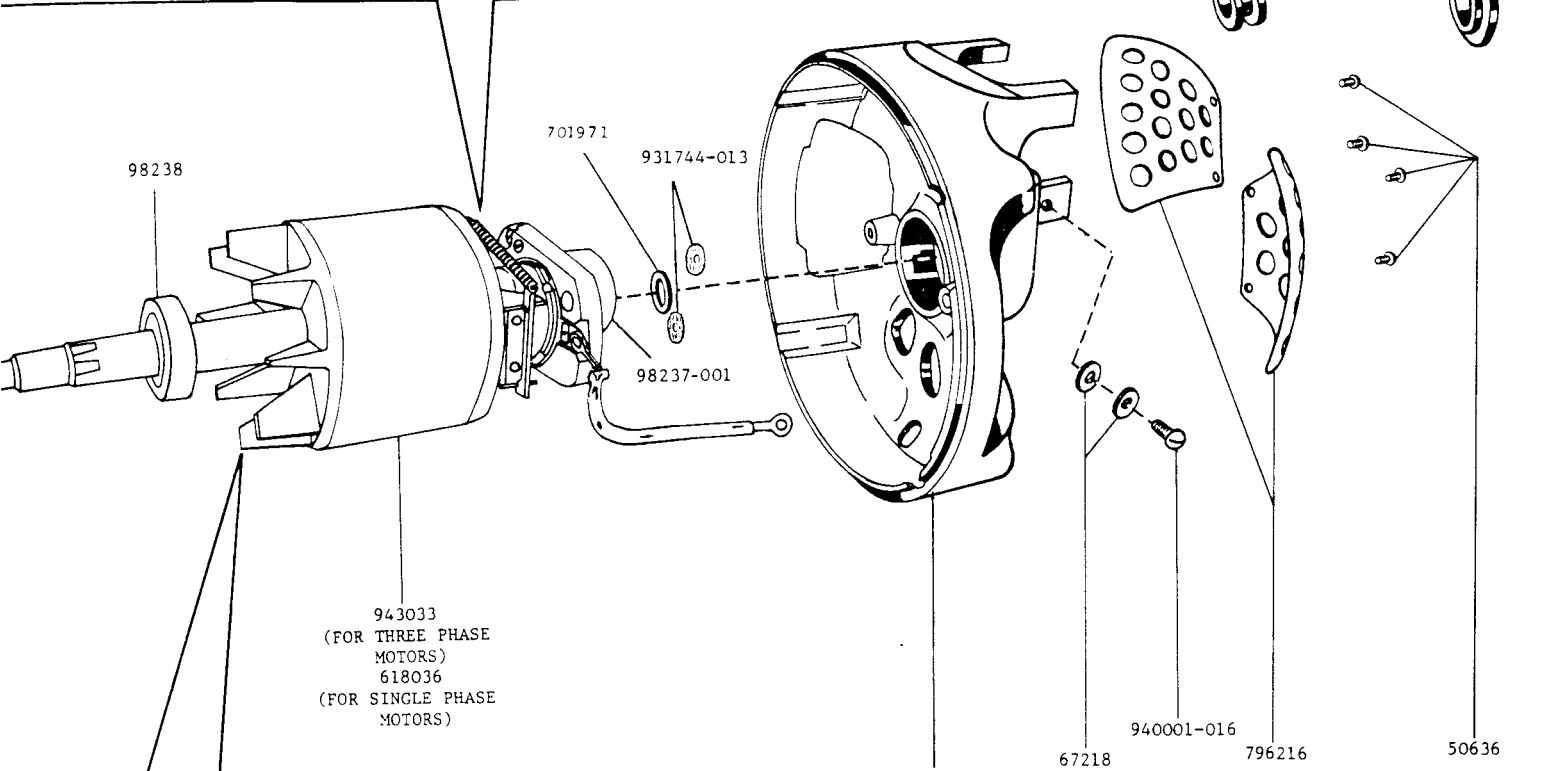
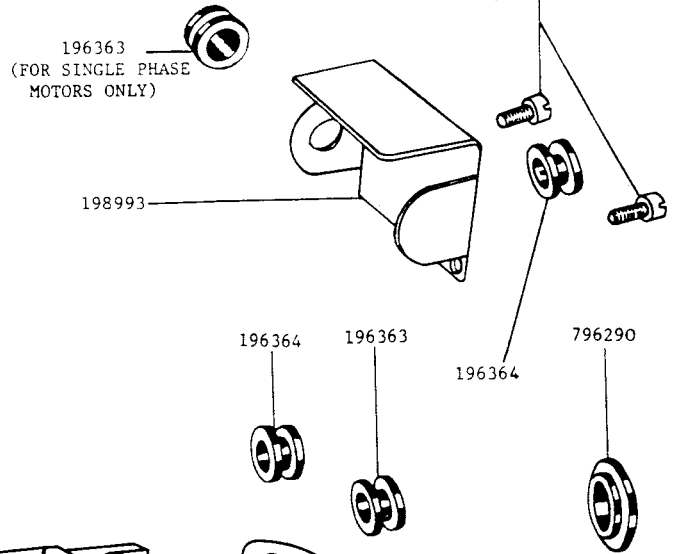
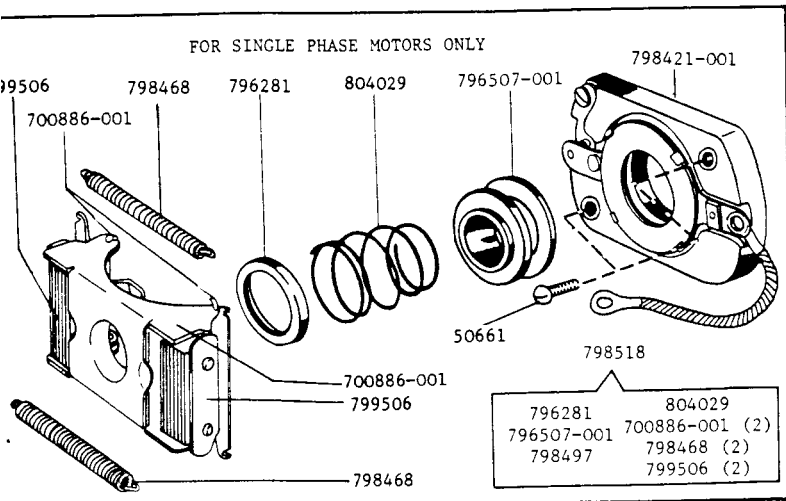


**PULLEYS FOR SERIES K38 MOTORS**

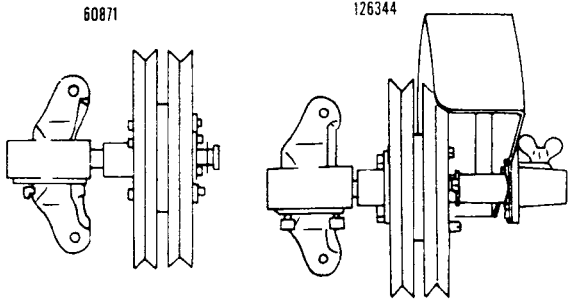
| Diameter of Pulleys<br>Inches | V-Belt Groove<br>M.M.S. | V-Belt Groove<br>Pulley No. | Diameter of Pulleys<br>Inches | V-Belt Groove<br>M.M.S. | V-Belt Groove<br>Pulley No. |
|-------------------------------|-------------------------|-----------------------------|-------------------------------|-------------------------|-----------------------------|
| 1-3/4                         | - 44.45                 | 876687                      | 3-3/4                         | - 95.25                 | 876703                      |
| 1-7/8                         | - 47.62                 | 876688                      | 3-7/8                         | - 98.42                 | 876704                      |
| 2                             | - 50.80                 | 876689                      | 4                             | - 101.60                | 876705                      |
| 2-1/8                         | - 53.98                 | 876690                      | 4-1/8                         | - 104.78                | 876706                      |
| 2-1/4                         | - 57.15                 | 876691                      | 4-1/4                         | - 107.95                | 876707                      |
| 2-3/8                         | - 60.32                 | 876692                      | 4-3/8                         | - 111.12                | 876708                      |
| 2-1/2                         | - 63.50                 | 876693                      | 4-1/2                         | - 114.30                | 876709                      |
| 2-5/8                         | - 66.68                 | 876694                      | 4-5/8                         | - 117.48                | 876710                      |
| 2-3/4                         | - 69.85                 | 876695                      | 4-3/4                         | - 120.65                | 876711                      |
| 2-7/8                         | - 73.02                 | 876696                      | 5                             | - 127.00                | 876713                      |
| 3                             | - 76.20                 | 876697                      | 5-1/4                         | - 133.35                | 876715                      |
| 3-1/8                         | - 79.38                 | 876698                      | 5-1/2                         | - 139.70                | 876717                      |
| 3-1/4                         | - 82.55                 | 876699                      | 5-3/4                         | - 146.05                | 876719                      |
| 3-3/8                         | - 85.72                 | 876700                      | 6                             | - 152.40                | 876721                      |
| 3-1/2                         | - 88.90                 | 876701                      | 6-1/4                         | - 158.75                | 876723                      |
| 3-5/8                         | - 92.08                 | 876702                      |                               |                         |                             |

**STATOR WITH HOUSING  
TABULATION**

| MOTOR<br>CATALOGUE<br>NUMBER | PART NUMBER |
|------------------------------|-------------|
| K38315B                      | 106195      |
| K38315C                      | 199033      |
| K38315E                      | 199030      |
| K38315F                      | 199034      |
| K38316B                      | 109197      |
| K38316E                      | 199032      |
| K38316F                      | 106196      |
| K383356                      | 799037      |
| K383357                      | 799038      |
| K383358                      | 804523      |
| K38335H                      | 970178      |
| K38335L                      | 970461      |
| K38335S                      | 106198      |
| K38335T                      | 976597      |
| K38335X                      | 973969      |
| K38335Y                      | 106199      |
| K383367                      | 943081      |
| K383368                      | 943083      |



**TABLE BELT GUIDE (INTERMEDIATE)  
SPEED REDUCER  
(Only supplied when specified on  
order at an extra charge)**

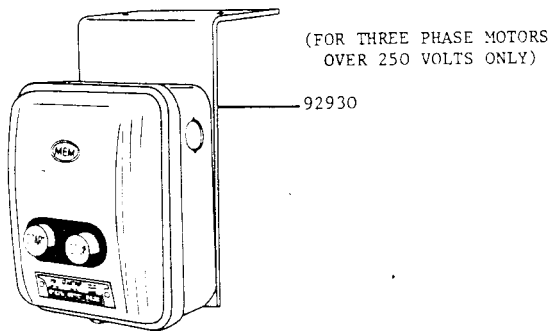
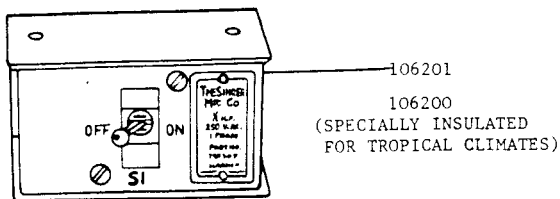


**SPEED REDUCER AND TABLE  
GUIDE PULLEYS FOR K38  
MOTORS TABULATION**

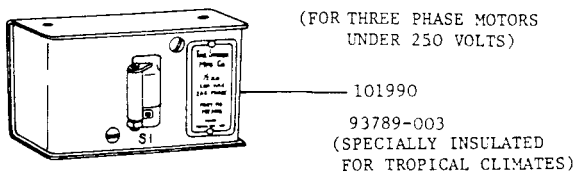
| DIAMETER OF PULLEY<br>INCHES | M.M.   | V-BELT GROOVE<br>PULLEY NO. |
|------------------------------|--------|-----------------------------|
| 2-1/2                        | 63.50  | 60483                       |
| 2-3/4                        | 69.85  | 60484                       |
| 3                            | 76.20  | 60485                       |
| 3-1/4                        | 82.55  | 60486                       |
| 3-1/2                        | 88.90  | 60487                       |
| 3-3/4                        | 95.25  | 60488                       |
| 4                            | 101.60 | 60489                       |
| 4-1/4                        | 107.95 | 60490                       |
| 4-1/2                        | 114.30 | 60491                       |
| 4-3/4                        | 120.65 | 60492                       |
| 5                            | 127.00 | 60493                       |
| 5-1/4                        | 133.35 | 60494                       |
| 5-1/2                        | 139.70 | 60495                       |
| 5-3/4                        | 146.05 | 60496                       |
| 6                            | 152.40 | 60497                       |
| 6-1/4                        | 158.75 | 60498                       |
| 6-1/2                        | 165.10 | 60499                       |

**SWITCH BOXES AND STARTER**

(FOR SINGLE PHASE  
MOTORS ONLY)



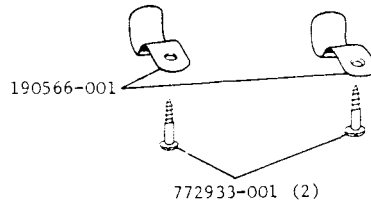
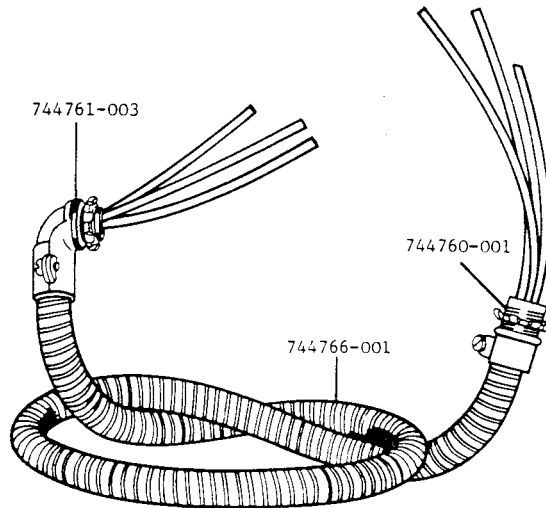
(FOR THREE PHASE MOTORS  
OVER 250 VOLTS ONLY)



(FOR THREE PHASE MOTORS  
UNDER 250 VOLTS)

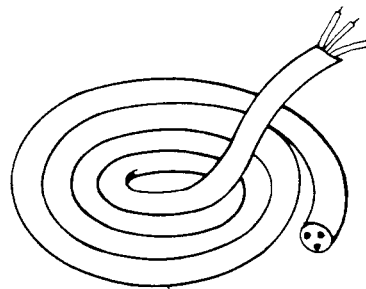
**LEADS AND CONNECTIONS**

67630 (TWO LEADS)  
(FOR SINGLE PHASE MOTORS)

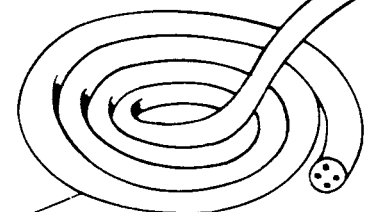
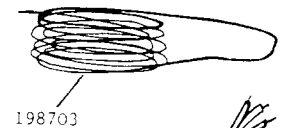


67632 (THREE LEADS)  
(FOR THREE PHASE MOTORS UNDER  
250 VOLTS)

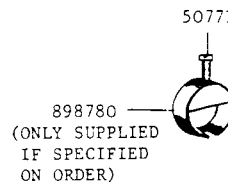
- 744760-001
- 744761-003
- 744766-001
- 190566-001 (2)
- 744762-001 (2)
- 772933-001 (2)

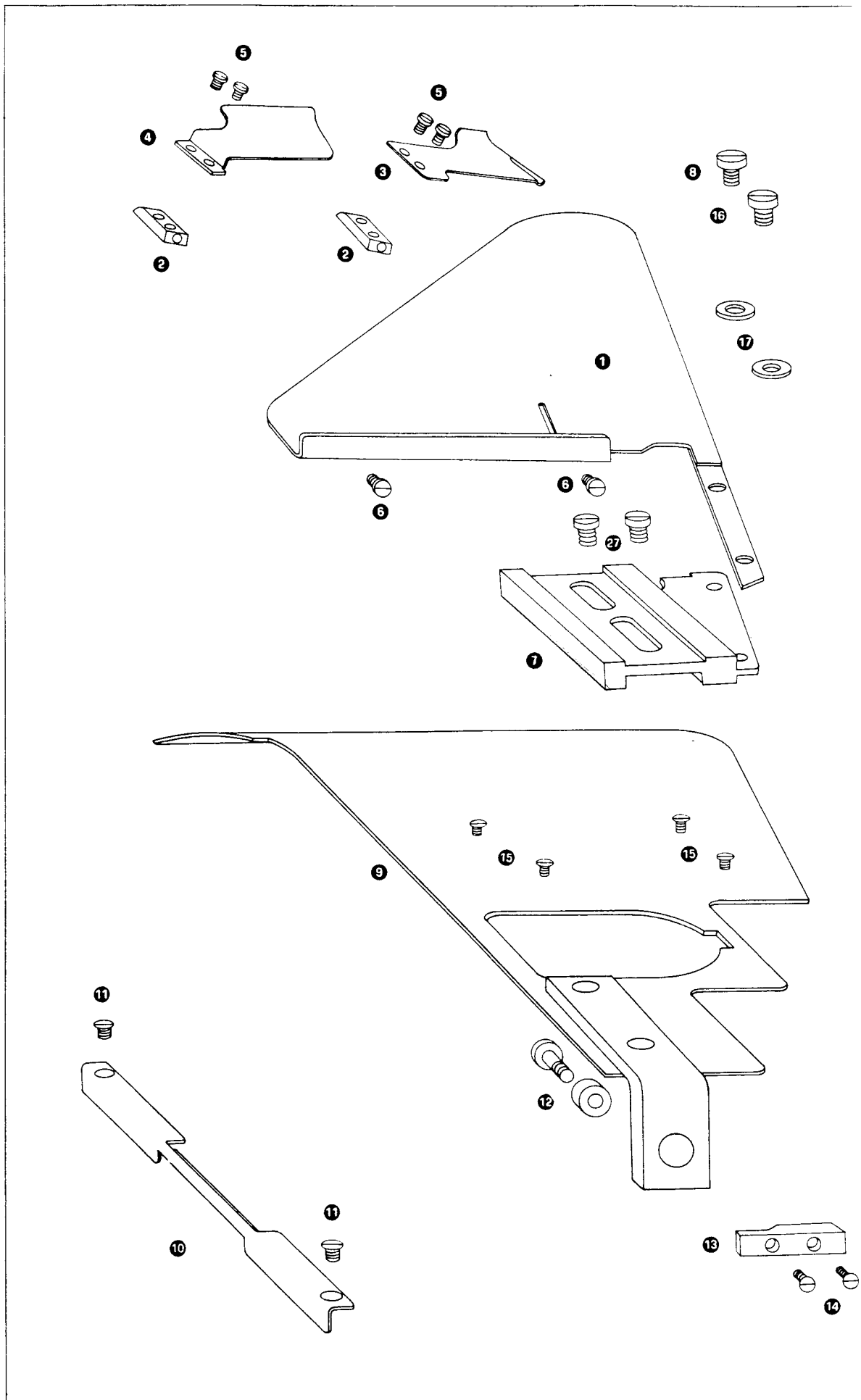


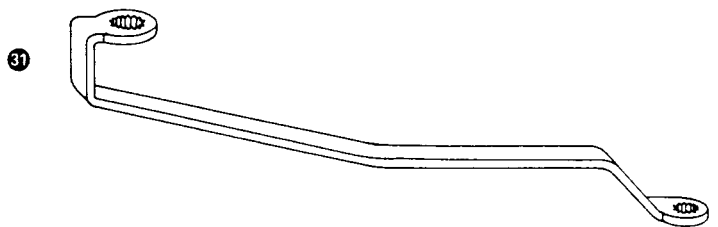
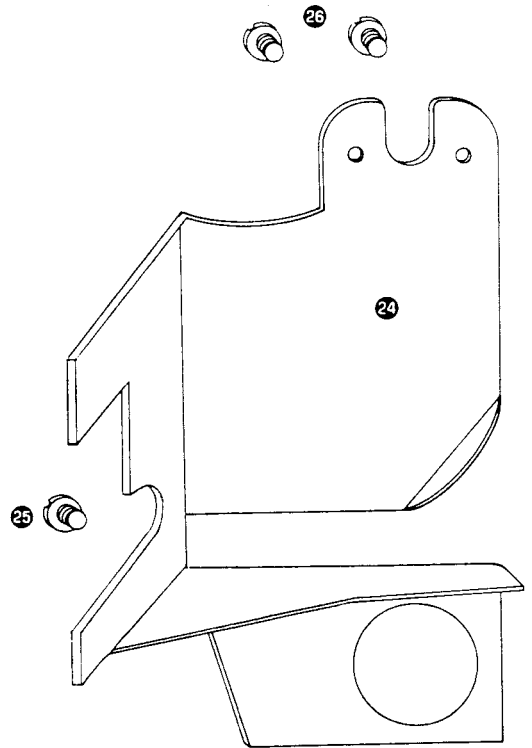
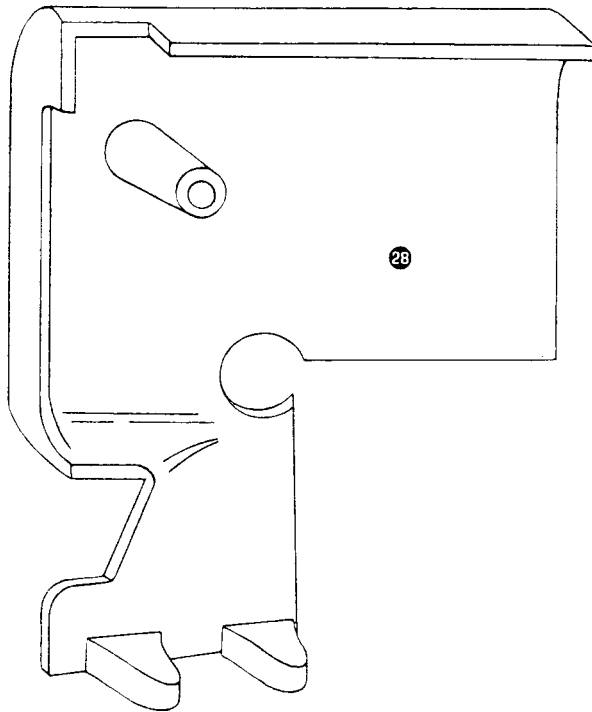
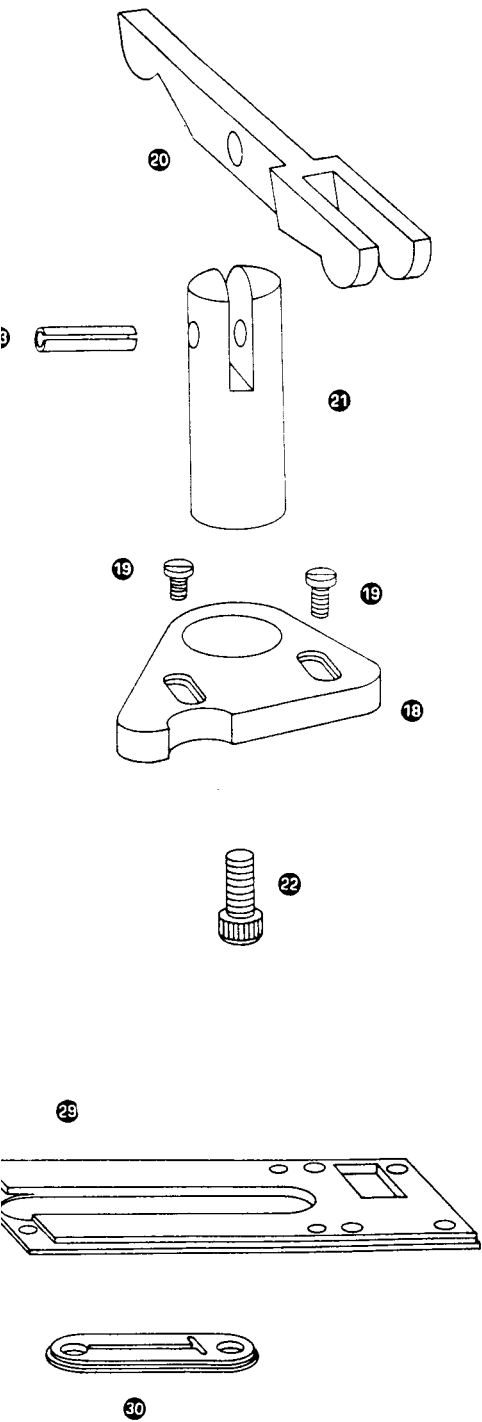
198349  
3 CORE LEAD FOR  
K38 SERIES SINGLE  
PHASE MOTORS



198415  
4 CORE LEAD FOR  
K38 SERIES THREE  
PHASE MOTORS









NUMERICAL LIST OF PARTS FOR SERIES K38  
SINGLE AND THREE PHASE MOTORS

---

| <u>Part No.</u> | <u>Description</u>   |
|-----------------|--|
| 176(819)        | Capacitor Bracket Screw for Single Phase Motors only             |
| 199(813)        | Machine Driving Pulley Cover Screw                               |
| 225(819)        | Machine Driving Pulley Cover Belt Guard Screw                    |
| 1633(813)       | Rotor Shaft Nut  |
| 1778(813)       | Motor Bolt Nut   |
| 1785            | Stator Lead Screw Nut  |
| 22436           | Machine Driving Pulley Cover Belt Guard Screw Washer             |
| 50636(813)      | Hand Hole Cover Screw  |
| 50661(813)      | Centrifugal Cut-out Contactor Screw for Single Phase Motors only |
| 50671(813)      | Terminal Box Cover Screw   |
| 51423(813)      | Machine Driving Pulley Cover Hinge Screw                         |
| 67218           | Washer   |
| 67327           | Machine Driving Pulley Cover Belt Guard                          |
| 67702           | Stator Lead Eyelet   |
| 69258           | Machine Driving Pulley Cover                                     |
| 69259           | Machine Driving Pulley Cover Bracket                             |
| 69261           | Machine Driving Pulley Cover Screw Washer                        |
| 69344           | Machine Driving Pulley Cover Hinge Stud                          |
| 69346           | Machine Driving Pulley Cover Spring                              |
| 98237-001       | Rotor Shaft Ball Bearing (terminal box end)                      |
| 98238           | Rotary Shaft Ball Bearing (pulley end)                           |
| 106236          | Capacitor for Single Phase Motors only                           |
| 107892          | Rotor Shaft Ball Bearing Friction Washer                         |
| 107893          | End Cover (pulley end)   |
| 126150          | Motor Bolt Lock Washer   |
| 140486          | End Cover Bolt   |
| 140725(813)     | Motor Bolt   |
| 196363          | Lead Bushing (rubber) for motor leads                            |
| 196363          | Terminal Box Cover Bushing (rubber)                              |
| 196364          | Lead Bushing (rubber) for light leads                            |
| 198577          | Warning Plate, used only on 'Lettered' three phase motors        |
| 198782          | Warning Plate, for Single Phase Motors only                      |
| 198906          | Capacitor Bracket, complete for Single Phase Motors only         |
| 198993          | Terminal Box Cover   |
| 618036          | Rotor complete for Single Phase Motors only                      |
| 700886-001      | Flyweight Bracket Hinge Rivet for Single Phase Motors only       |
| 701350          | Rotor Shaft Nut Lock Washer                                      |
| 701679          | End Cover Bolt Nut Lock Washer                                   |
| 706404-012      | End Cover Bolt Nut   |
| 796139          | Housing  |
| 796216          | Hand Hole Cover  |

NUMERICAL LIST OF PARTS FOR ACCESSORIES

| <u>Part No.</u> | <u>Description</u>  |
|-----------------|---|
| 50771           | Lead Cord Insulating Bushing Clamp<br>Screw   |
| 60871           | Table Belt Guide (intermediate)<br>150064 with two 60493  |
| 67630           | Wire Connector complete (two leads)<br>for Single Phase Motors only   |
| 67632           | Wire Connector complete (three<br>leads) Nos. 744760-001,<br>744761-003, 744766-001, two each<br>190566-001, 744762-001 and<br>772933-001 |
| 92930           | Starter for Three Phase Motors over<br>250 volts only   |
| 93789-003       | Capacitor, Capacitor Box and Switch<br>(specially insulated for tropical<br>climates) for Three Phase Motors<br>under 250 volts only      |
| 101990          | Switch Box and Switch complete for<br>Three Phase Motors under 250<br>volts only  |
| 106200          | Switch Box (specially insulated for<br>tropical climates) for Single<br>Phase Motors only   |
| 106201          | Switch Box for Single Phase Motors<br>only  |
| 126344          | Speed Reducer complete  |
| 150064          | Table Belt Guide (intermediate)<br>complete, Nos. 60765, 60814,<br>60870, 126409 and eight 50512<br>(not illustrated)                     |
| 190566-001      | Wire Conduit Clamp  |
| 198349          | Lead (three core) for K38 Single<br>Phase Motors  |
| 198415          | Lead (four core) for K38 Three<br>Phase Motors  |
| 198703          | Earth Wire for Connection between<br>Motor and Switch   |
| 744760-001      | Wire Conduit Connector  |
| 744761-003      | Wire Conduit Connector (90 Degrees)   |
| 744766-001      | Wire, 45" long  |
| 772933-001      | Wood Screw  |
| 898780          | Lead Cord Insulating Bushing  |

| <u>Part No.</u> | <u>Description</u>  |
|-----------------|---|
| 796281          | Flyweight Operating Spring Cap for Single Phase Motors only   |
| 796290          | Rotor Shaft Dust Cap (terminal box end)   |
| 796507-001      | Flyweight Moving Collar for Single Phase Motors only  |
| 797868          | End Cover (terminal box end) for Three Phase Motors only  |
| 798421-001      | Centrifugal Cut-out Contactor complete for Single Phase Motors only   |
| 798468          | Flyweight Spring for Single Phase Motors only   |
| 798518          | Centrifugal Cut-out complete, Nos., 796281, 796507-001, 798497, 804029, two each 700886-001, 798468 and 799506 for Single Phase Motors only |
| 799506          | Flyweight Bracket complete for Single phase Motors only   |
| 804029          | Flyweight Operating Spring for Single Phase Motors only   |
| 882077          | End Cover (terminal box end) for Single Phase Motors only   |
| 899594          | Nameplate   |
| 931326          | Machine Driving Pulley Cover Screw<br>Lock Washer   |
| 931744-013      | Rotor Shaft Spacing Washer  |
| 940001-016      | Screw   |
| 940001-016      | Stator Lead Screw   |
| 942977          | Fan for Three Phase Motors only   |
| 943033          | Rotor complete for Three Phase Motors only  |

For Machine Driving Pulleys see tabulation on other side.

For Stator with Housing see tabulation on other side.