

PARTS LIST

MODEL: ^{SL} Simplicity 237

BL 1750

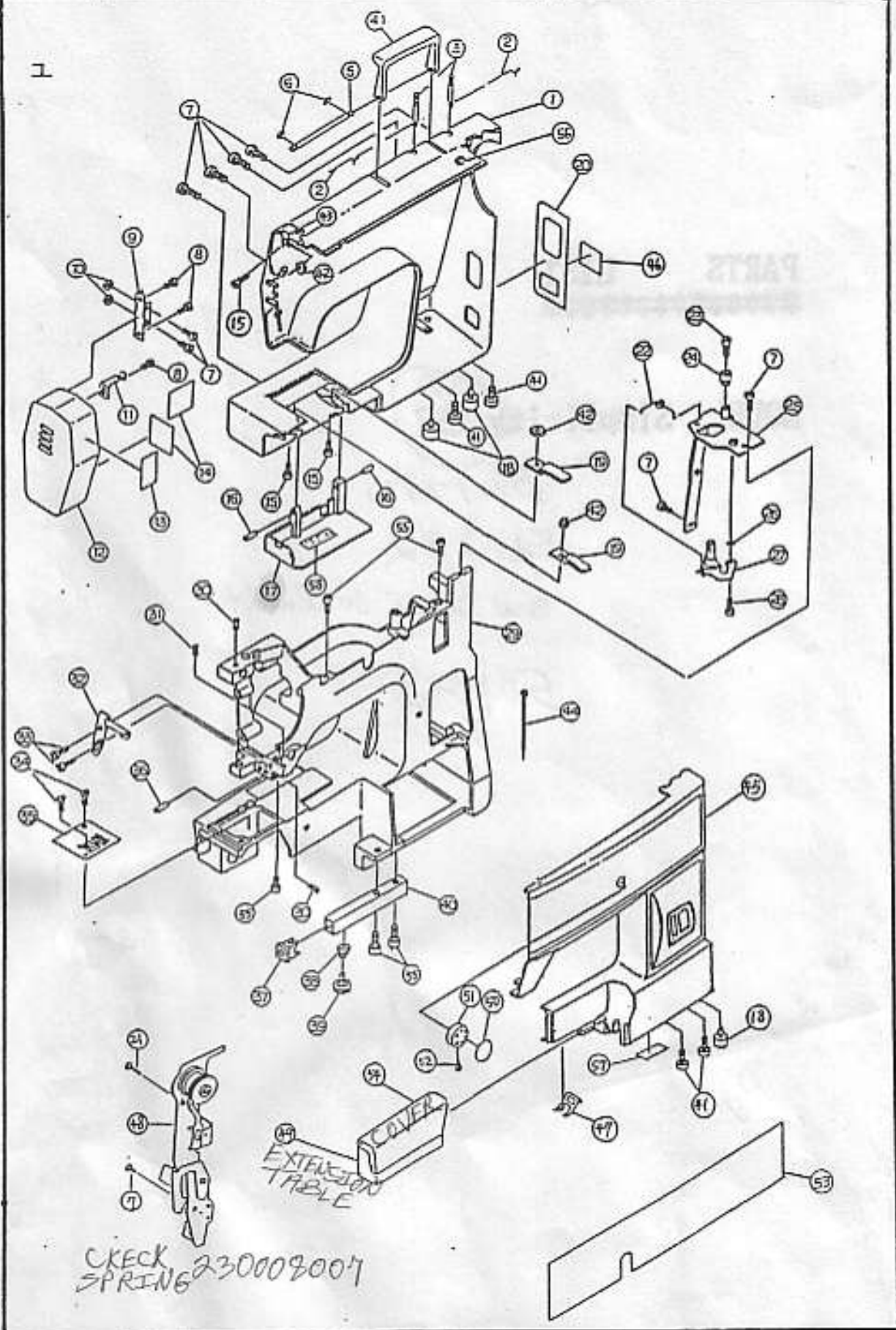
SL 232

SW 2145 Walmart

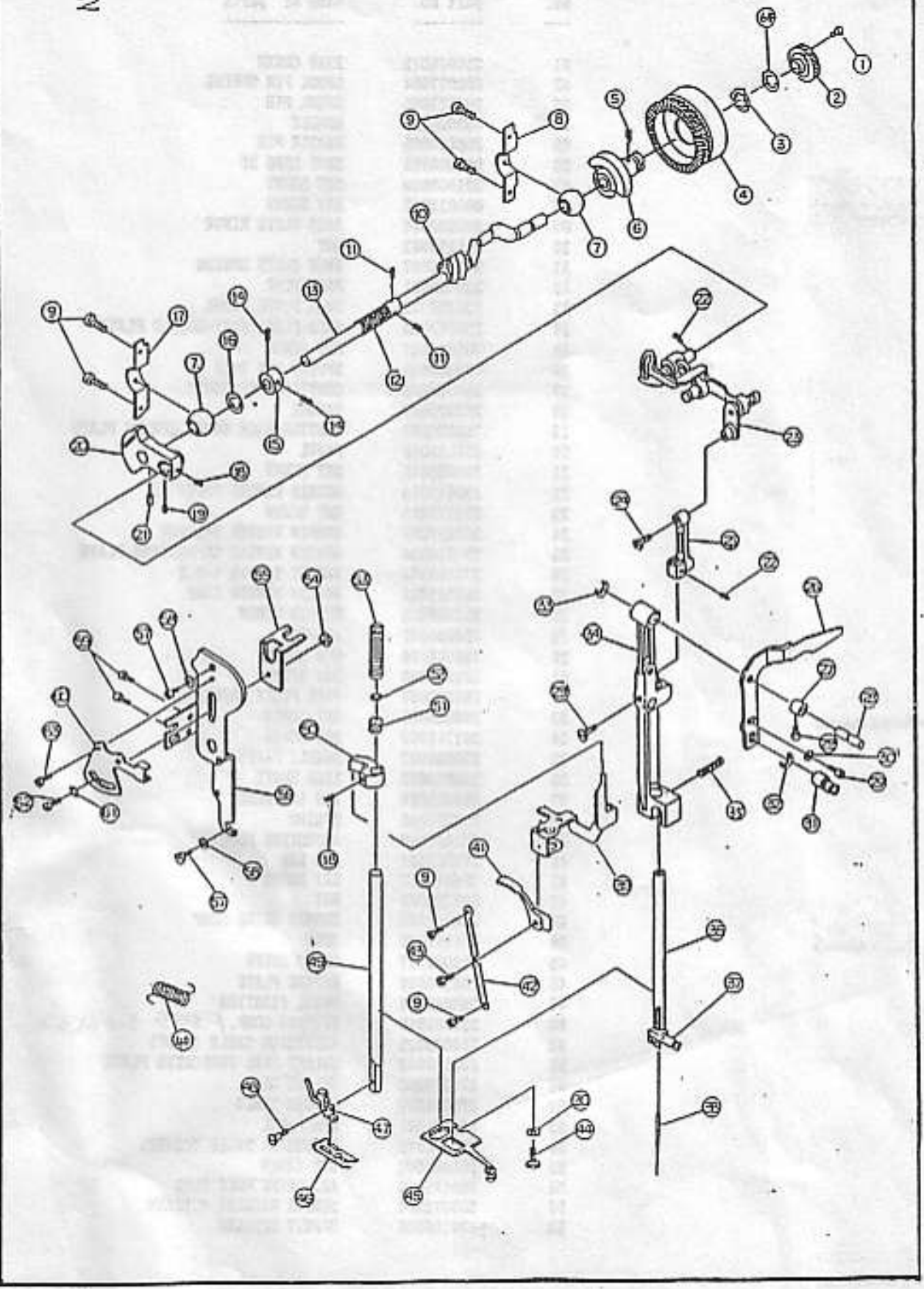
5011-3

25082000

1

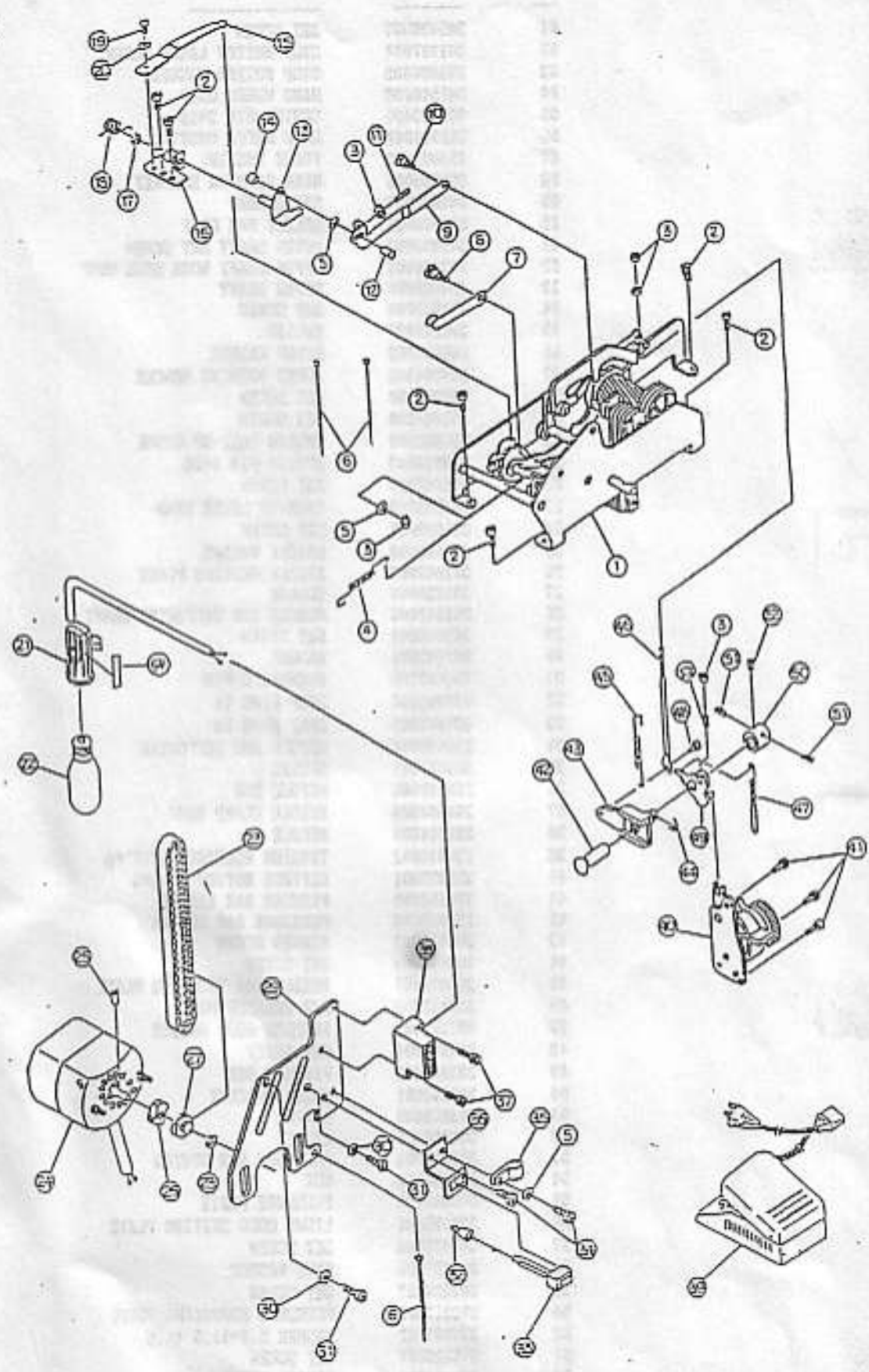


ref no.	sunbeam part no.	name of parts
01	250026025	REAR COVER
02	250027004	SPOOL PIN SPRING
03	301027005	SPOOL PIN
04	353004122	HANDLE
05	250026005	HANDLE PIN
06	000000103	SNAP RING 3D
07	301000000	SET SCREW
08	000011912	SET SCREW
09	380502004	FACE PLATE HINGE
10	301193003	NUT
11	301036007	FACE PLATE SPRING
12	230002001	FACE PLAT
13	230102002	FACE PLATE PANEL
14	250003008	FACE PLATE HEAT-SHIELD PLATE
15	301016001	SET SCREW
16	000003405	SPRING PIN 3*18
17	250031023	SHUTTLE RACE COVER
18	250020007	RUBBER
19	250032002	SHUTTLE RACE COVER SPRING PLATE
20	250056013	PANEL
21	260035006	SET SCREW
22	250045008	BOBBIN WINDER SPRING C
23	353128008	SET SCREW
24	380067002	BOBBIN WINDER STOPPER
25	250016000	BOBBIN WINDER SUPPORTING PLATE
26	370069003	WASHER 5.1*18 t=0.5
27	360501001	BOBBIN WINDER COMP
28	353125005	HINGED SCREW
29	250001002	ARM/BED
30	301046000	SET SCREW
31	301087003	SET SCREW
32	250082007	FACE PLATE BRACKET
33	260035006	SET SCREW
34	301261003	SET SCREW
35	250006007	NEEDLE PLATE
36	250013007	LEAD SHAFT
37	250025024	AID LEG PLUG.
38	250024001	SPRING
39	250023000	ADJUSTING FOOT
40	250022021	AID LEG
41	356017002	SET SCREW
42	301151003	NUT
43	230502006	THREAD GUIDE COMP
44	351047006	BAND
45	230001217	FRONT COVER
46	230100000	RATING PLATE
47	353049004	PANEL FIXATION
48	230501016	TENSION COMP. <i>FITS SL232</i>
49	250033025	EXTENSION TABLE (BODY)
50	230103003	SELECT DIAL INDICATED PLATE
51	370078050	SELECT DIAL
52	370048006	HINGED SCREW
53	230101001	ARM PANEL
54	250034026	EXTENSION TABLE (COVER)
55	250007002	SET SCREW
56	250125014	ADJUSTING HOLE PLUG
57	303075004	SERIAL MACHINE STICKER
58	230106006	SAFETY STICKER

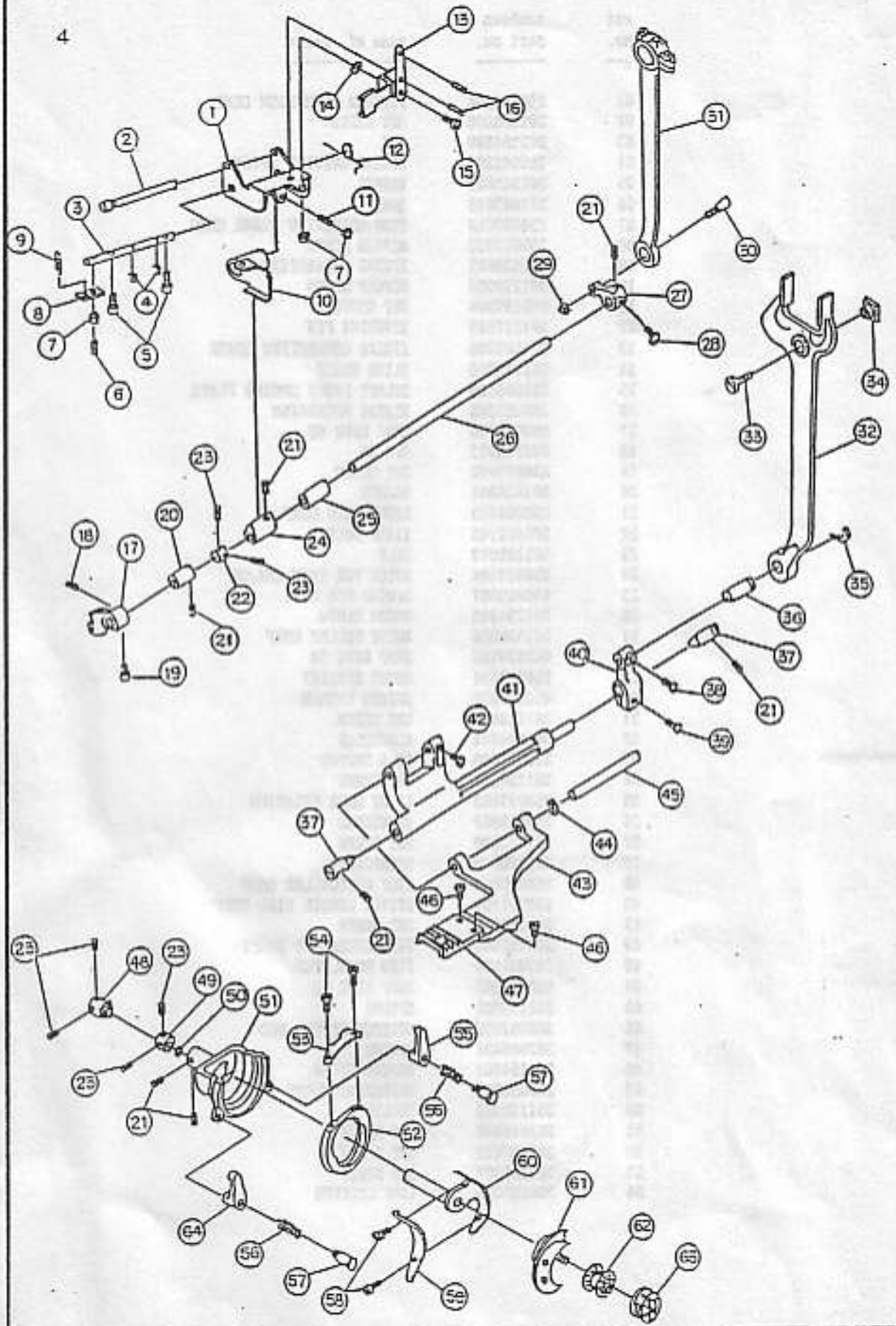


ref no.	sunbeem part no.	name of parts	2
01	301038007	SET SCREW	
02	301037084	STOP MOTION LARGE SCREW	
03	301096005	STOP MOTION WASHER	
04	301540098	HAND WHEEL COMP	
05	000003405	SPRING PIN 3*10	
06	250044007	HAND WHEEL BUSHING	
07	250002003	FORHT BUSHING	
08	250005006	NEAR BUSHING BRACKET	
09	301008000	SET SCREW	
10	370504005	SELECT CAM COMP	
11	301093002	UPPER SHAFT SET SCREW	
12	303001009	UPPER SHAFT WORM GEAR COMP	
13	250036006	UPPER SHAFT	
14	301067003	SET SCREW	
15	301340007	COLLAR	
16	301086002	NYTION WASHER	
17	250004005	FORHT BUSHING BRACKE	
18	301008008	SET SCREW	
19	301084000	SET SCREW	
20	301033009	THREAD TAKE-UP CRANK	
21	000003508	SPRING PIN 4*20	
22	301046000	SET SCREW	
23	301544003	TAKE-UP LEVER CAMP	
24	301068008	SET SCREW	
25	301503000	NEEDLE HOLDER	
26	301049007	ZIGZAG DRIVING PLATE	
27	301250009	COLLAR	
28	301042000	NEEDLE BAR SUPPORTER SHAFT	
29	301016001	SET SCREW	
30	301245001	WASHER	
31	301045009	ECCENTRIC PIN	
32	000000206	SNAP RING 4D	
33	000000309	SNAP RING 5D	
34	250089004	NEEDLE BAR SUPPORTER	
35	301047001	SPRING	
36	260042006	NEEDLE BAR	
37	260502009	NEEDLE CLAMP COMP	
38	301244000	NEEDLE	
39	230010002	TEKSION RELEASE LEVER *A	
40	355033001	REVERSE BUTION SPRING	
41	370154006	PRESSER BAR LIFTER	
42	250007008	PRESSURE BAR LIFTER	
43	301070003	HINGED SCREW	
44	301049003	SET SCREW	
45	260028006	NEEDLE BAR STOPPING PLATE	
46	353012008	Z/Z PRESSER FOOT	
47	301522005	PRESSER FOOT HOLDER	
48	301071004	SET SCREW	
49	301061001	PRESSER BAR	
50	301252001	GUIDE BRACKET	
51	301065005	SPRING	
52	301066006	WASHER	
53	370012001	PRESSURE BAR SPRING	
54	301151003	NUT	
55	370016005	PRESSURE PLATE	
56	370015004	LIGHT CORD SETTING PLATE	
57	301037008	SET SCREW	
58	301257006	WAVE WASHER	
59	301234007	SET SCREW	
60	370017006	PRESSURE ADJUSTING PLATE	
61	370099002	WASHER 5.2*11.5 t=.8	
62	370018007	SET SCREW	
63	370194008	HINGED SCREW	
64	250078008	WASHER	

10



ref no.	sunbeen part no.	name of parts
01	250604104	PATTERN MECHANISM COMP
02	301008000	SET SCREW
03	301151009	NUT
04	250042005	ZIGZAG DRIVING SPRING
05	301245001	WASHER
06	351047006	BAND
07	356502000	ZERO ADJUSTING CRANK COMP
08	355016002	HINGED SCREW
09	303005003	ZIGZAG CONNECTING ROD
10	301218005	HINGED SCREW
11	301196006	SET SCREW
12	301212009	RIVETING PIN
13	354004000	ZIGZAG CONNECTING CRANK
14	301213000	SLIDE BLOCK
15	356006008	SELECT INDEX SPRING PLATE
16	250012006	ZIGZAG MECHANISM
17	000000206	SNAP RING 4D
18	301215002	SPRING
19	356017002	SET SCREW
20	301009001	WASHER
21	250801000	LIGHT CORD COMP
22	301802105	LIGHT BULB
23	301205003	BELT
24	250819104	MOTOR YOK 120V CSA/UL
25	000003807	SPRING PIN 2*14
26	301294005	MOTOR CLUTH
27	301530006	MOTOR PULLEY COMP
28	000000103	SNAP RING 3D
29	250017001	MOTOR BRACKET
30	450063008	SPRING WASHER
31	301143008	SET SCREW
32	301354004	CONNECTOR
33	370811008	BULB SWITCH
34	301234007	SET SCREW
35	250057003	LIGHT CORD FIXATION
36	250018002	CONNECTOR
37	351032008	SET SCREW
38	301270005	RECEPTACLE
39	250820005	FOOT CONTROLLER COMP
40	230601202	STITCH LENGTH DIAL COMP
41	301008000	SET SCREW
42	301152000	FEED REGULATOR SHAFT
43	250081006	FEED REGULATOR
44	000000505	SNAP RING 9D
45	301155003	SPRING
46	303002000	STRETCH STITCH ROD
47	303003001	SPRING
48	301154002	HINGED SCREW
49	250080005	ADJUSTING PLATE
50	301153001	COLLAR
51	301046000	SET SCREW
52	301087003	SET SCREW
53	301289007	SET SCREW
54	230105005	LAMP STICKER



ref no.	sunbeen part no.	name of parts
01	301307002	DROP FEED CRANK BODY
02	301310008	DROP FEED ADJUSTING SHAFT
03	260039000	DROP FEED SHAFT
04	000000309	SNAP RING 5D
05	250010004	SET SCREW
06	301196006	SET SCREW
07	301151009	NUT
08	301197007	SPRING HOLDER
09	301181008	FEED DOG BASE SPRING
10	301308003	DROP FEED STOPPING PLATE
11	370041009	SET SCREW
12	301195005	SPRING
13	260043007	DROP FEED DRIVING ROD
14	370086006	WAVE WASHER
15	355010002	HINGED SCREW
16	000003209	SPRING PIN 2.5*8
17	301113010	OSCILLATING SHAFT GEAR
18	301115001	SET SCREW
19	301114000	SET SCREW
20	301110006	LOWER SHAFT FRONT BUSHING
21	301087003	SET SCREW
22	301112008	COLLAR
23	301046000	SET SCREW
24	301182009	FEED LIFTING CAM
25	301111007	LOWER SHAFT REAR BUSHING
26	301109002	LOWER SHAFT
27	353014000	LOWER SHAFT BRACKET
28	353015001	SET SCREW
29	301107000	NUT
30	301106009	TAPER SCREW
31	301512002	CRANK ROD COMP
32	301145000	FORKED ROD
33	301146001	SET SCREW
34	301147002	FORKED ROD SLIDE BLOCK
35	000000402	SNAP RING 6D
36	301179003	CONNECTING PIN
37	301241007	CENTER PIN
38	301178002	SET SCREW
39	301177001	SET SCREW
40	301176000	FEED ROCK SHIFTS CRANK
41	301171005	FEED ROCK SHAFT
42	301131003	SET SCREW
43	301172006	FEED DOG BASE
44	000000206	SNAP RING 4D
45	301173007	FEED DOG BASE SHAFT
46	301175009	SET SCREW
47	301174008	FEED DOG
48	301130116	BEVEL GEAR
49	301129008	RING
50	301128007	NYLON WASHER
51	301328009	HOOK RACE BODY
52	301313001	HOOK RACE RING
53	301312000	COP SPRING
54	301123002	SET SCREW
55	301118004	CLASP(RIGHT)
56	301120009	CLASP SPRING
57	301121000	HINGED SCREW
58	301127006	SET SCREW
59	301126005	HOOK DRIVER SPRING
60	301124003	HOOK DRIVER SHAFT
61	301132004	HOOK PANEL 25152 <i>301541000</i>
62	301141006	BOBBIN
63	301515005	BOBBIN CASE COMP
64	301113005	CLASP(LEFT)