

Home Sewing Machine

# PARTS REFERENCE LIST

---

**MODEL: BLDY**

**BLDY2**

**CONFIDENTIAL**

Published: Jul.,2014  
Revised: Jul.,2016



# MEMO

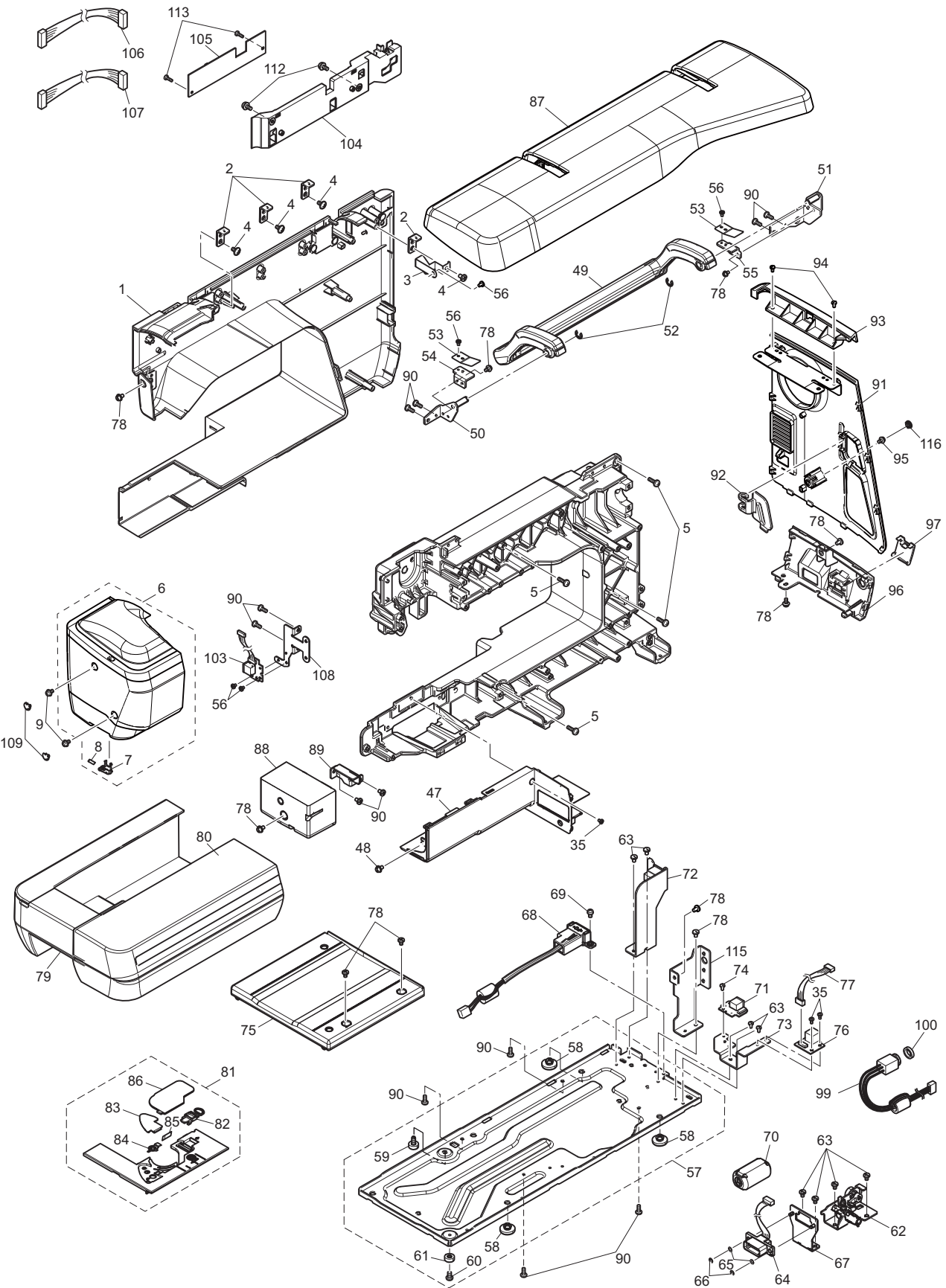
# CONTENTS

(1) MAIN FRAME / COVER .....	2
(2) UPPER SHAFT / NEEDLE BAR / PRESSER FOOT UNIT ...	6
(3) FEED / SIDE FEED / THREAD CUTTING UNIT .....	8
(4) LOWER SHAFT / BOBBIN WINDING MECHANISM.....	10
(5) NEEDLE THREADING MECHANISM .....	12
(6) ELECTRIC PARTS / MAIN MOTOR UNIT .....	14
(7) EMBROIDERY UNIT .....	16
(8) GUIDE MARKER MACHANISM.....	22
(9) ACCESSORY PARTS .....	24
(10) USER MANUAL / OTHER PARTS / PACKAGE .....	26
NEEDLE-PRESSER MODULE.....	28
FEED MODULE .....	32
THREAD CUTTER MODULE .....	34
DUAL FEED ASSY .....	36
SPARE PARTS.....	38

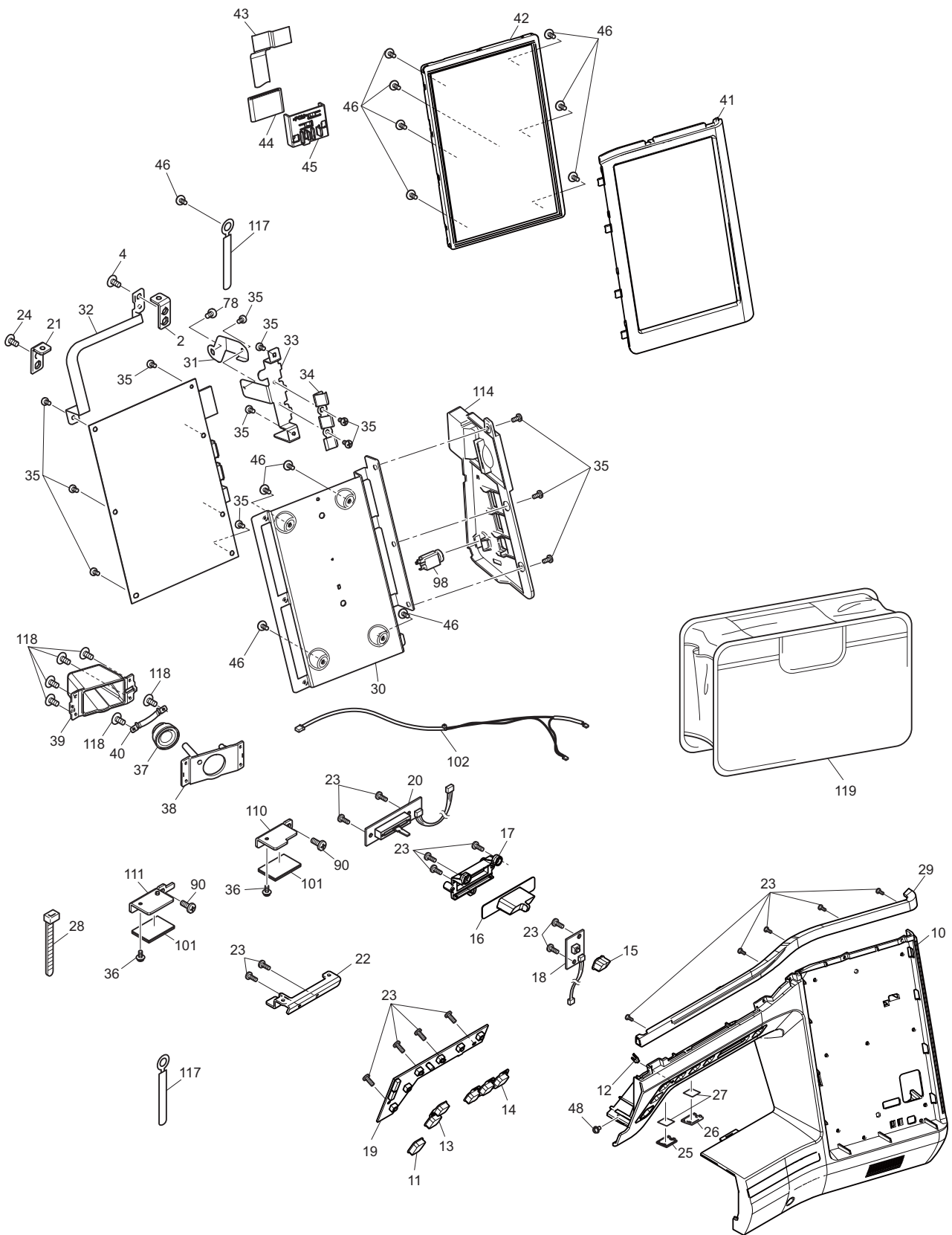
**Note on parts:**

We keep performance parts for this sewing machine for at least 8 years after this model is discontinued. Performance parts are the necessary parts to maintain the function of the sewing machine.

# (1) MAIN FRAME / COVER



# (1) MAIN FRAME / COVER

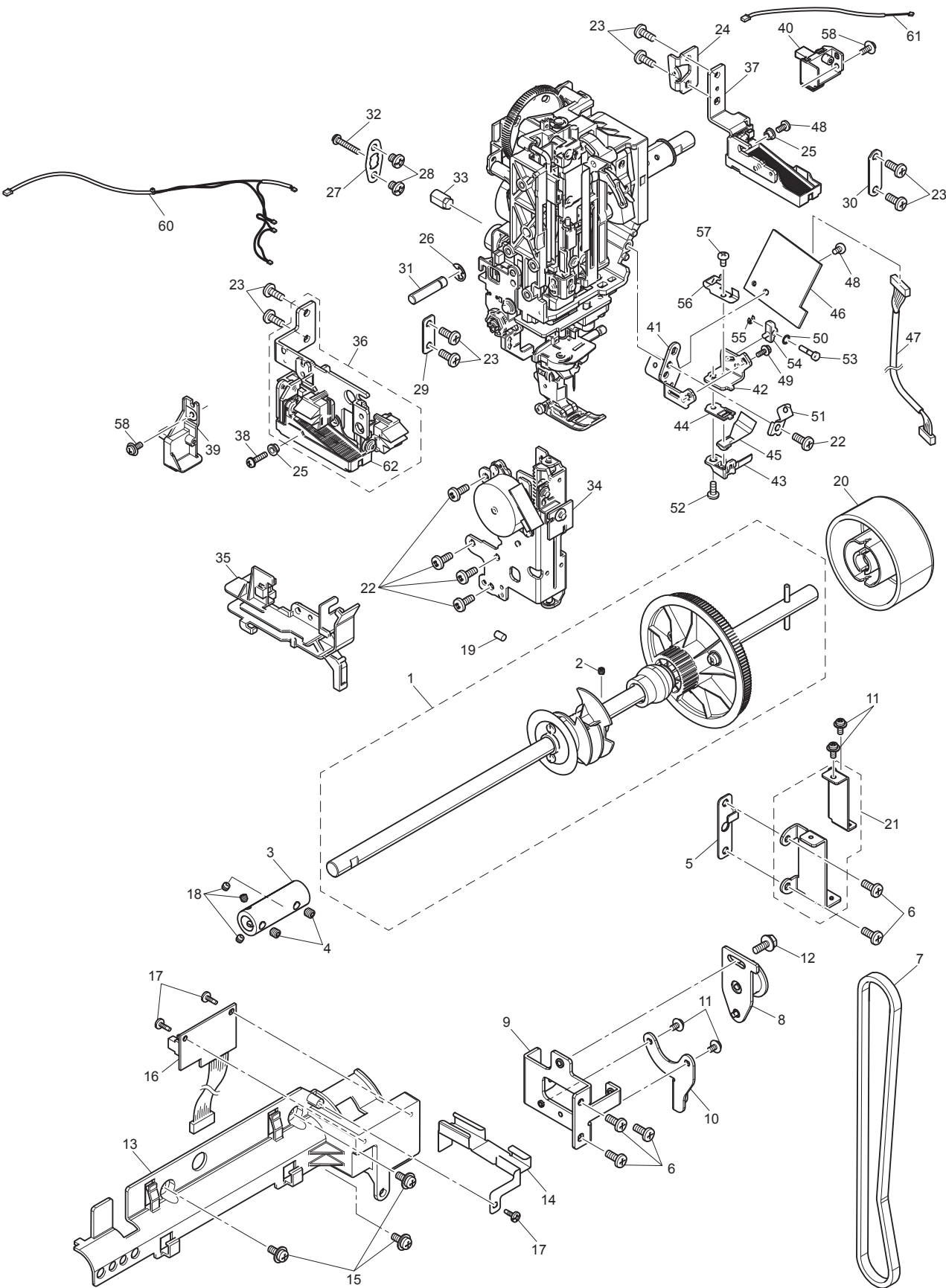


## (1) MAIN FRAME / COVER

No.	CODE	NAME	REMARKS	No.	CODE	NAME	REMARKS
1	XF9924001	REAR COVER ASSY		44	XE9920001	FERRITE CORE:FSRC310200RN000T	
2	XE3917001	PLATE E		45	XE9963001	FERRITE HOLDER WIDE	
3	XF9734001	GROUND PLATE REAR		46	087310816	TAPTITE CUP B M3X8	
4	087410816	TAPTITE CUP B M4X8		47	XF2938201	FREE ARM FRONT COVER ASSY	
5	087411416	TAPTITE CUP B M4X14		48	XC4433051	SCREW,PAN(T WASHER)M3X6	
6	XG6963001	FACE PLATE ASSY BLDY2 (BLDY2)		49	XF9183002	HANDLE ASSY	
	XF9925001	FACE PLATE ASSY (BLDY)		50	XF9192001	HANDLE HOLDER L ASSY	
7	XE4631101	FACE PLATE CUTTER HOLDER		51	XF9195001	HANDLE HOLDER R ASSY	
8	X80321001	NT LOWER THREAD CUTTER		52	048060343	RETAINING RING E6	
9	XC7566051	SCREW, PAN(S/P WASHER)M4X8		53	XE3953001	HANDLE HOLDER SPRING PLATE	
10	XG1014001	FRONT COVER SUB ASSY		54	XF9198001	HANDLE STOPPER PLATE L	
11	XF3860001	SS-BUTTON (USA)		55	XF9851001	HANDLE STOPPER PLATE R	
	XF5006001	SS-BUTTON (CAN)		56	060300416	SCREW BIND M3X4	
12	XF4003001	LED COVER		57	XF9200001	BASE PLATE SUB ASSY	
13	XF3247001	OPERATION BUTTON A		58	XA1805051	BASE RUBBER A	
14	XF4001001	OPERATION BUTTON B		59	XA4687051	ADJUSTING SCREW ASSY	
15	XG0212001	THREADER BUTTON		60	062500816	SCREW PAN M5X8	
16	XF2965001	SV KEYTOP		61	XA4689051	BASE PLATE RUBBER	
17	XE3935101	SV GUIDE		62	XF2950001	KNEE LIFTER ASSEMBLY	
18	XF3571001	THREADER SWITCH PCB ASSY		63	060400616	SCREW BIND M4X6	
19	XF9855001	SS PCB ASSY T		64	XF3282001	LEAD WIRE ASSY MAIN BODY V	
20	XF3586001	VR PCB ASSY		65	026350136	WASHER PLAIN S M3.5	
21	XE3917001	PLATE E		66	048025343	RETAINING RING E2.5	
22	XF9934001	FRONT TG COVER FIXED PLATE		67	XG1158001	CONNECTOR HOLDER ASSY	
23	136681051	TAPTITE, BIND B M3X8		68	XF3286001	INLET ASSY V 120	
24	087410816	TAPTITE CUP B M4X8		69	0A4400806	SCREW PAN (S/P WASHER) M4X8	
25	XF9935001	LAMP COVER L		70	XE7045001	FERRITE CORE:LF0930A	
26	XF9936001	LAMP COVER R		71	XF8941001	EXTENSION IF PCB ASSY L	
27	XE3916001	DIFFUSION SHEET WORK AREA		72	XF9202001	SW HOLDER	
28	X53169050	BAND		73	XF9203001	SENSOR CONNECTOR HOLDER D	
29	XG1416001	FRONT LINE COVER TAPE ASSY		74	060300616	SCREW BIND M3X6	
30	XF9165001	PANEL BOARD HOLDER		75	XF2956001	BASE PLATE COVER	
31	XF9166001	PANEL BOARD GROUND PLATE D		76	XF2752001	UW PEN CONNECTOR PCB ASSY	
32	XF9167001	PANEL BOARD GROUND PLATE U		77	XF9921001	LEAD WIRE ASSY PEN CONNECTOR	
33	XF9168001	GROUND PLATE USB HOLDER		78	060400616	SCREW BIND M4X6	
34	XE5267001	GROUND PLATE USB		79	XG0218001	ACCESSORY TABLE ASSY	
35	060300616	SCREW BIND M3X6		80	XG0220001	ACC TABLE FRONT COVER ASSY	
36	XA8390051	SCREW		81	XF4767001	NEEDLE PLATE B ASSY	
37	XF9417001	SPEAKER ASSY		82	XC2366152	SLIDE BUTTON	
38	XF9170001	SPEAKER COVER F		83	XD1666052	CUTTER COVER	
39	XF9171001	SPEAKER COVER R		84	XD1461051	NEEDLE PLATE COVER SPRING	
40	XF9172001	SPEAKER BRACKET		85	X80321001	NT LOWER THREAD CUTTER	
41	XG0250001	LCD FRAME ASSY		86	XF0750101	NEEDLE PLATE COVER M SUPPLY	
42	XG1204001	LCD SUPPLY ASSY		87	XG6965001	TOP COVER SEAL ASSY DESTINY2 (BLDY2)	
43	XG1403001	FCC SUPPLY ASSY			XF9949001	TOP COVER SEAL ASSY (BLDY)	



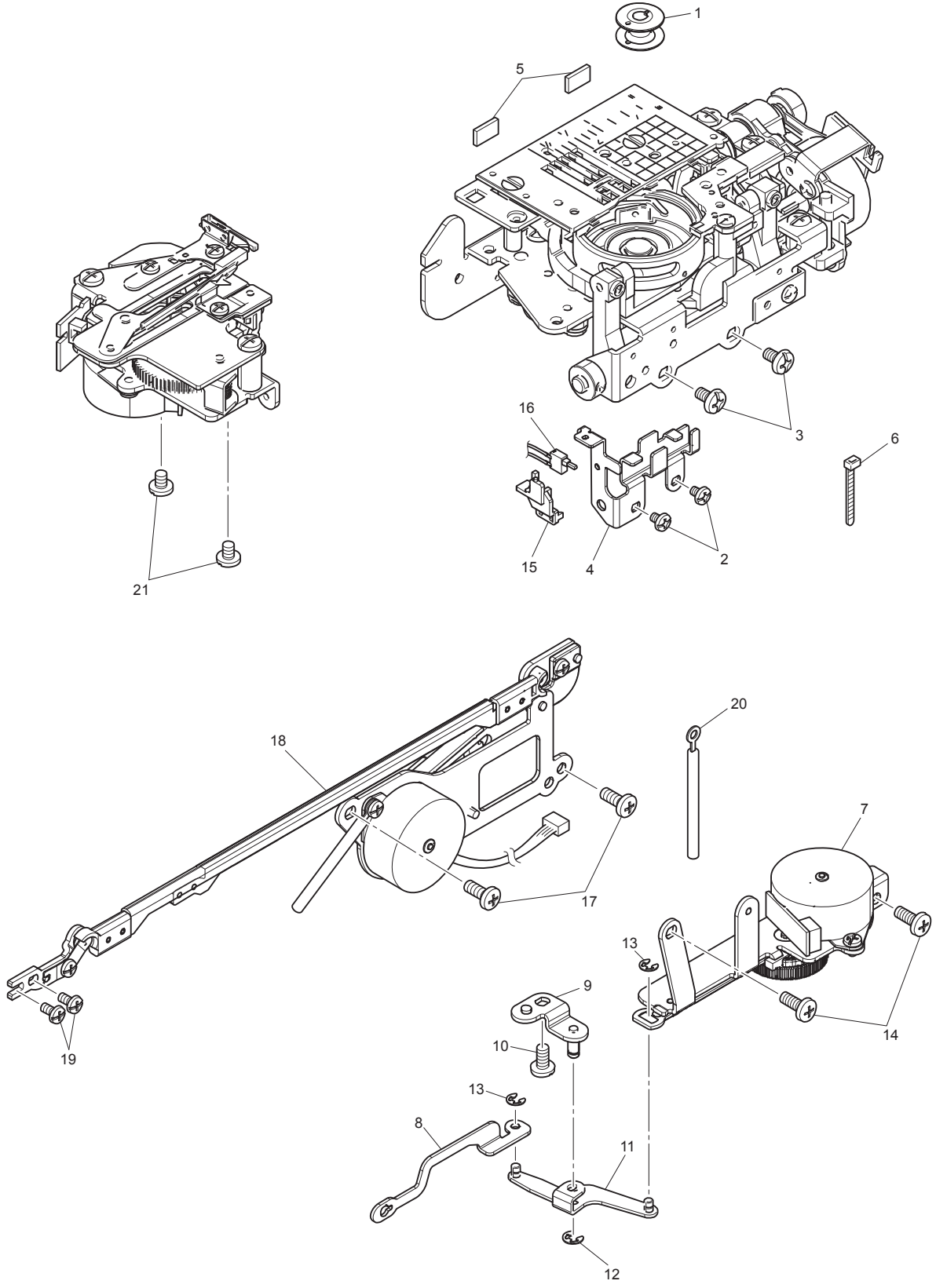
# (2) UPPER SHAFT / NEEDLE BAR / PRESSER FOOT UNIT



## (2) UPPER SHAFT / NEEDLE BAR / PRESSER FOOT UNIT

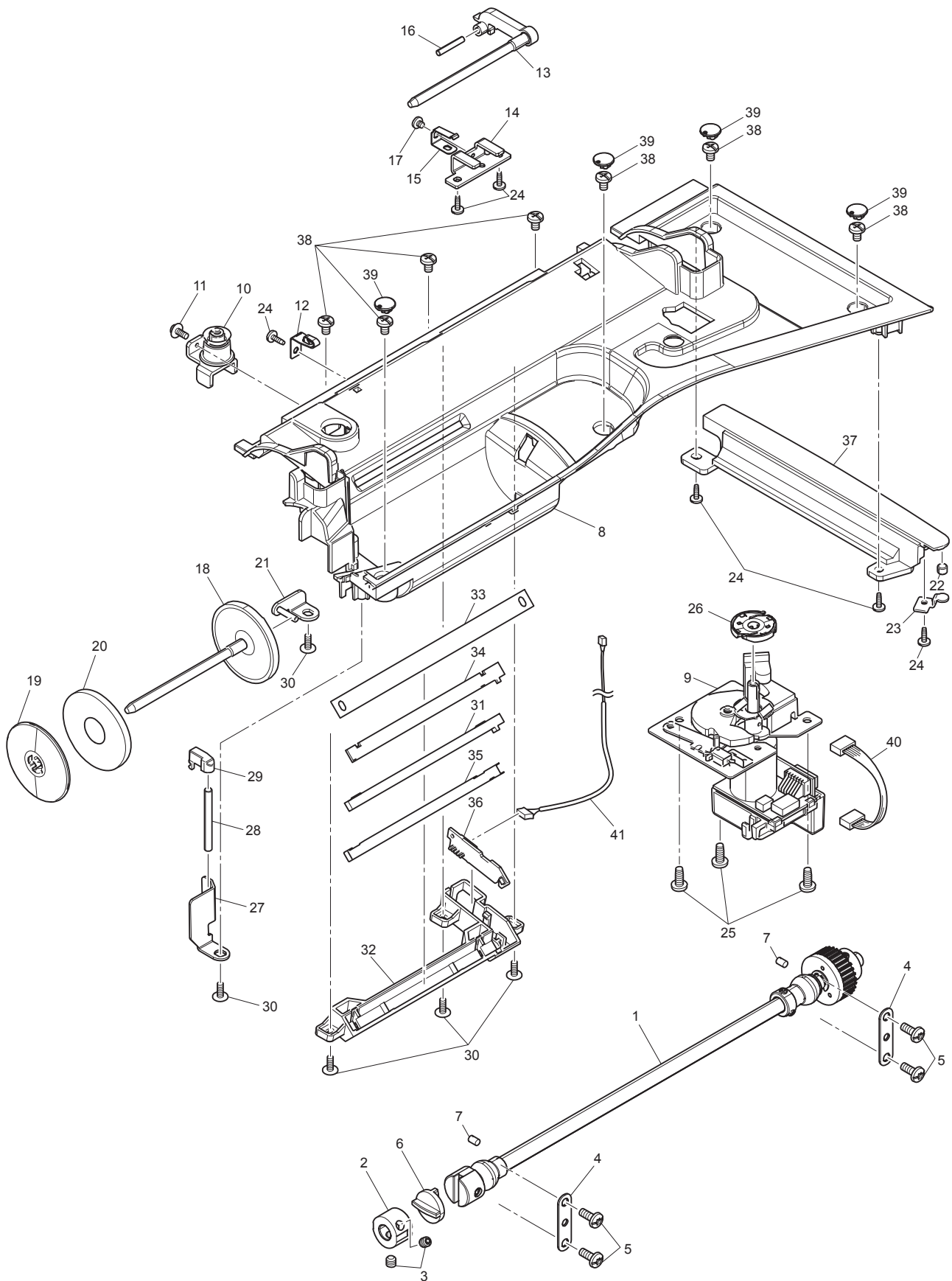
No.	CODE	NAME	REMARKS	No.	CODE	NAME	REMARKS
UPPER SHAFT MECHANISM				NEEDLE BAR / PRESSER FOOT UNIT			
1	XG1206001	UPPER SHAFT SUPPLY ASSY		22	085411015	TAPTITE BIND B M4X10	
2	014300632	SET SCREW SOCKET (CP) M3X6		23	X57908052	TAPTITE, BIND S M4X10	
3	XC7775051	FIXED JOINT		24	XE4733001	PLATE K	
4	012500532	SET SCREW SOCKET (FT) M5X5		25	XE4468001	LED HOLDER SPACER	
5	XC6362051	METAL PRESSER		26	048050343	RETAINING RING E5	
6	X57908052	TAPTITE, BIND S M4X10		27	XC2505050	PLATE SPRING	
7	XF2999001	TIMING BELT 480-3GT-6		28	060400516	SCREW BIND M4X5	
8	XE3998001	TENSION PULLEY A ASSEMBLY		29	XC2297051	PRESSER PLATE A	
9	XF3654001	TENSION PULLEY HOLDER B ASSY		30	XC2298051	PRESSER PLATE B	
10	XF5116001	BELT SUPPORT LOWER		31	XC2503051	SHAFT	
11	0A5300606	SCREW PAN (S/P WASHER) M3X6		32	XZ0380051	SCREW, PAN (WASHER) M3X18	
12	XA8474051	UPSET 4X12 DB		33	XC2504050	ADJUSTING SCREW	
13	XF3001001	UPPER SHAFT COVER		34	XF4857001	THREAD DRIVE UNIT SUPPLY ASSY	
14	XF3002001	CORD GUIDE		35	XE4591101	CORD GUIDE	
15	0A5401006	SCREW PAN (S/P WASHER) M4X10		36	XF3614001	LED LAMP HOLDER L ASSY	
16	XF2742001	NP PCB ASSY		37	XF3032001	LED LAMP HOLDER R ASSY	
17	136681051	TAPTITE, BIND B M3X8		38	0A1301206	SCREW PAN (P WASHER) M3X12	
18	014400432	SET SCREW SOCKET (CP) M4X4		39	XG3160201	UWR L ASSY	1000051913
19	XC3183051	FELT		40	XG3161201	UWR R ASSY	1000051913
20	XF9236002	PULLEY		41	XF9237001	CMR HOLDER BASE	
21	XF5989001	BELT SUPPORT UPPER ASSY		42	XF9238001	CMR HOLDER ADJ	
				43	XF9239001	CMR COVER	
				44	XF9240001	CMR COVER CAP	
				45	XG2093001	CAMERA MODULE SUPPLY ASSY	1000048625
				46	XG0457001	CMR PCB INSULATION ASSY	
				47	XF9422001	LEAD WIRE ASSY CAMERA RELAY	
				48	060300616	SCREW BIND M3X6	
				49	XE9965001	BOLT SOCKET(S/P WASHER)M3X6	
				50	026030133	WASHER PLAIN S 3	
				51	XE4923101	EARTH PLATE	
				52	0A4300806	SCREW PAN (S/P WASHER) M3X8	
				53	XG0426001	CMR ADJ SCREW	
				54	XG0427001	CMR ADJ PIN	
				55	048020343	RETAINING RING E2	
				56	XG0428001	CMR SPRING PLATE	
				57	0A4300606	SCREW PAN (S/P WASHER) M3X6	
				58	0A5300806	SCREW PAN (S/P WASHER) M3X8	
				59	XF5609104	SHEET	1000051913
				60	XG0873001	LEAD WIRE ASSY LED2	
				61	XG0874001	LEAD WIRE ASSY LED3	
				62	XF3096001	LIGHT PLATE COVER	1000051552

### (3) FEED / SIDE FEED / THREAD CUTTING UNIT



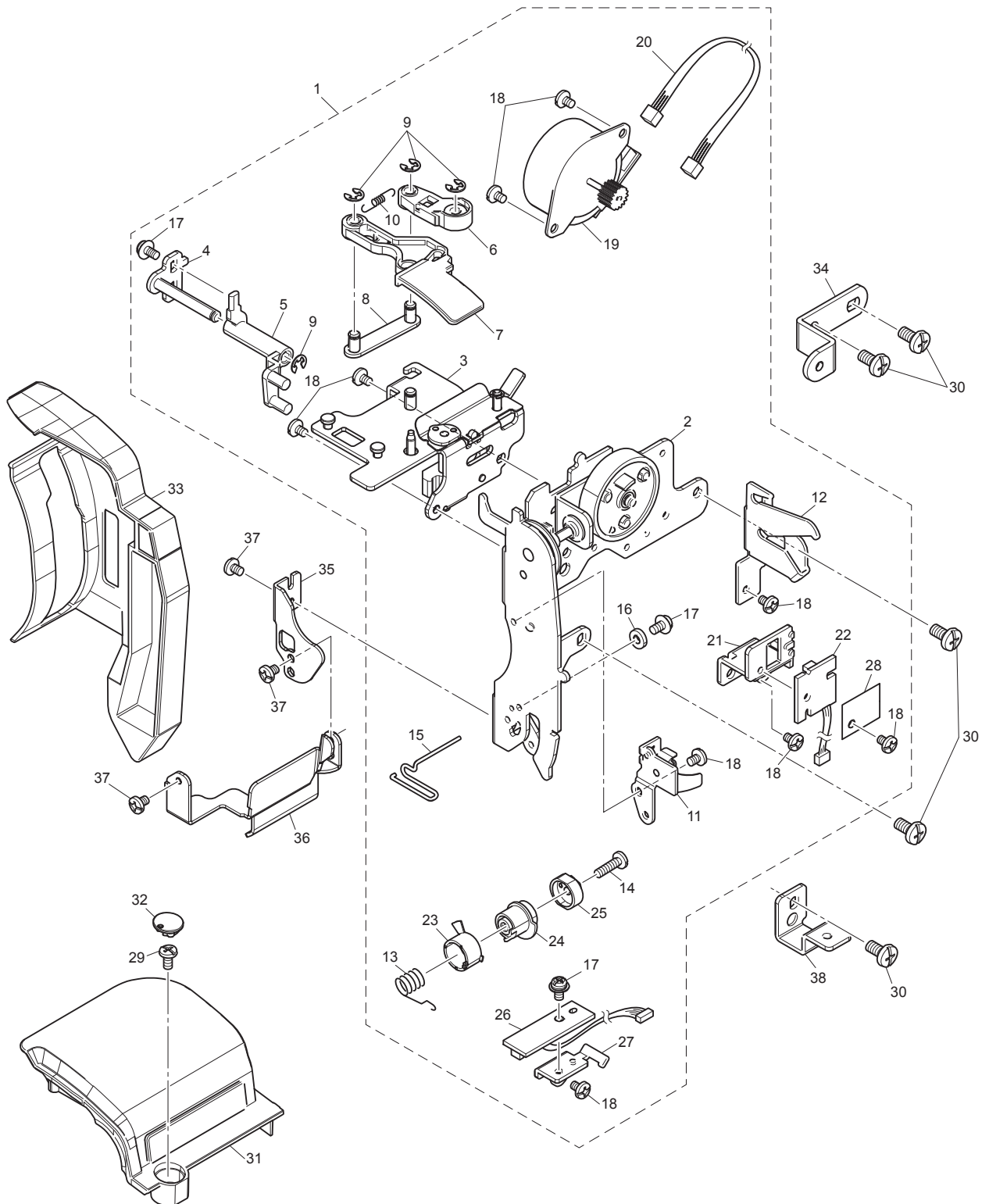


## (4) LOWER SHAFT / BOBBIN WINDING MECHANISM



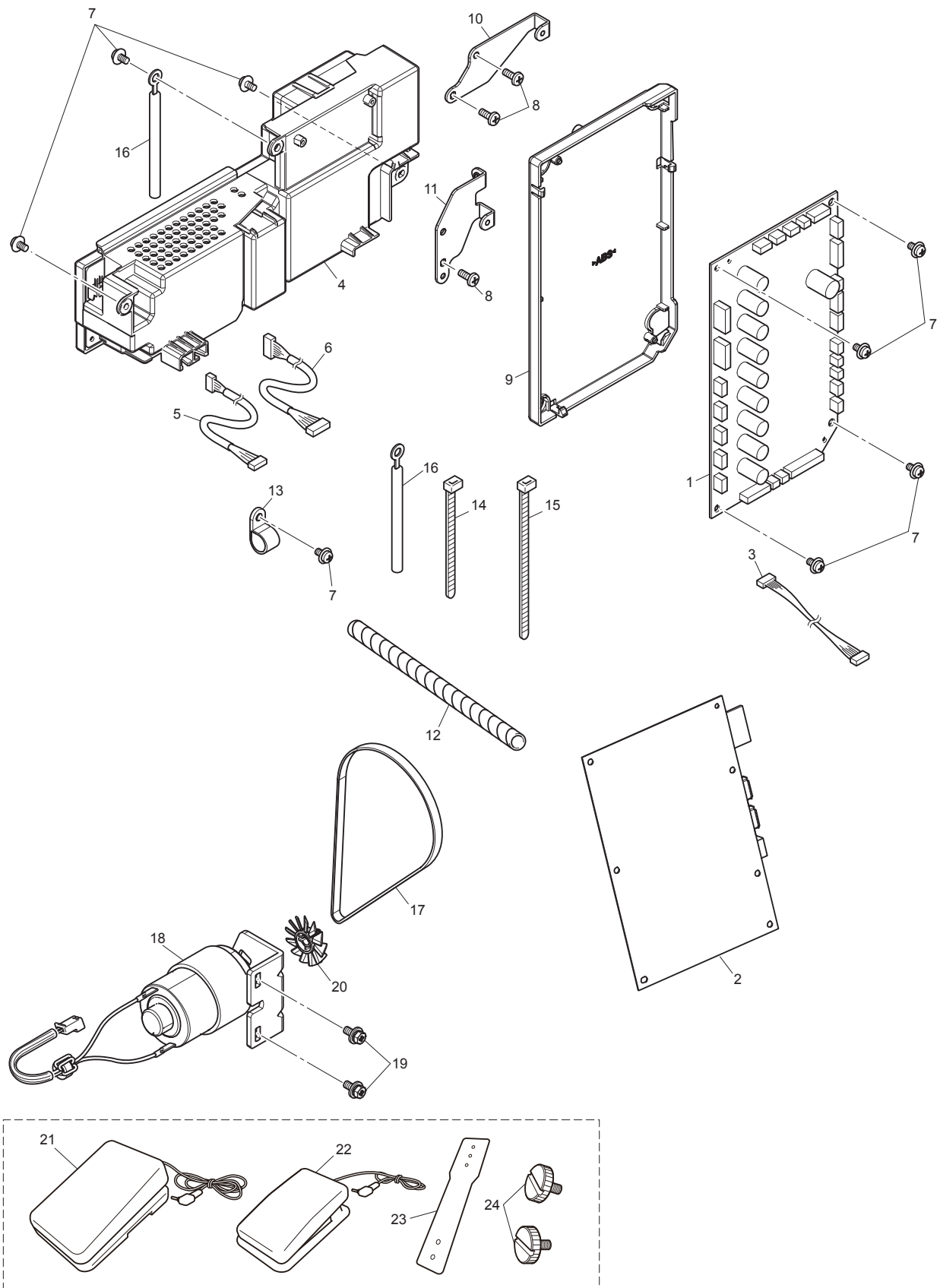


## (5) NEEDLE THREADING MECHANISM



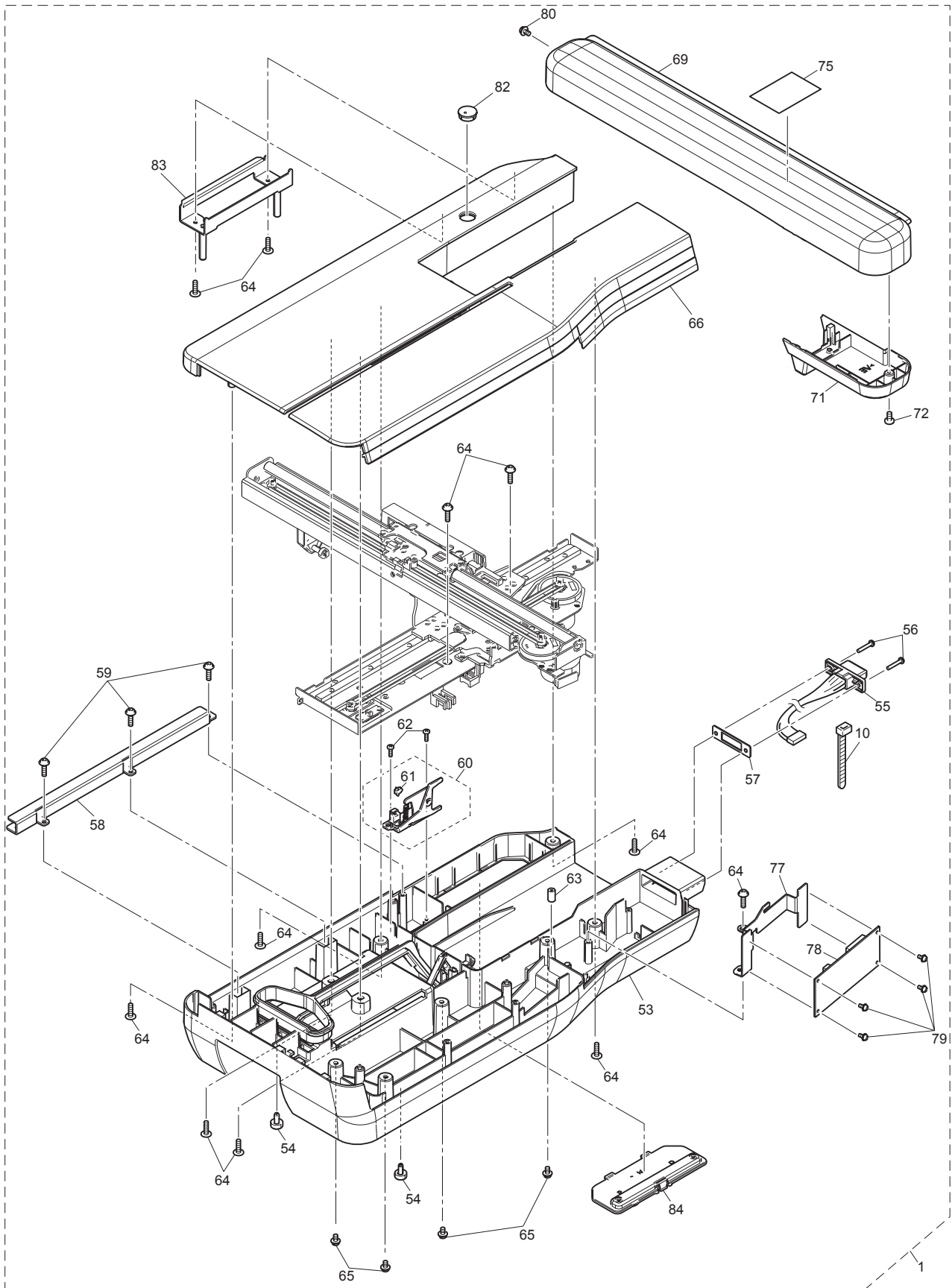


## (6) ELECTRIC PARTS / MAIN MOTOR UNIT

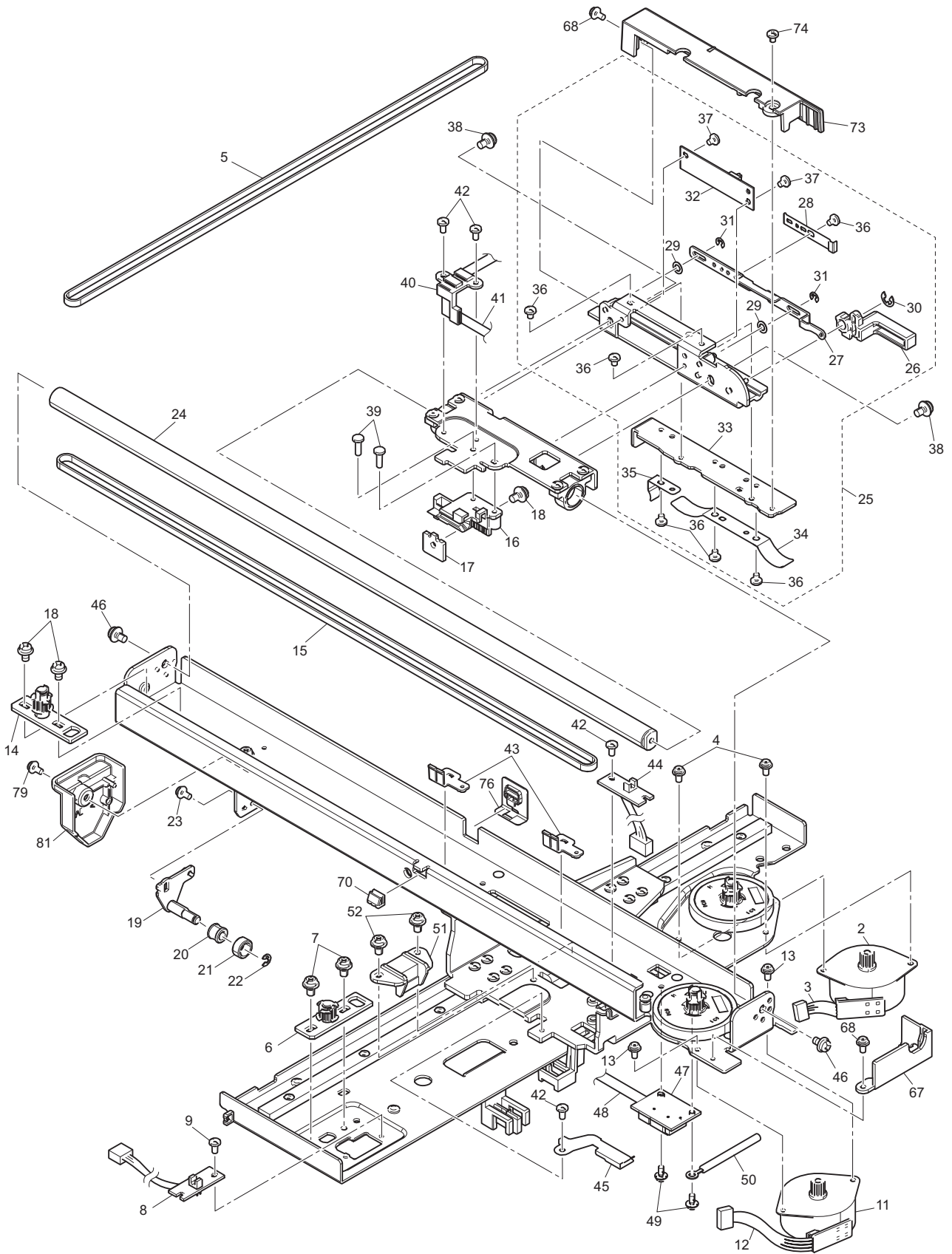




# (7) EMBROIDERY UNIT



# (7) EMBROIDERY UNIT



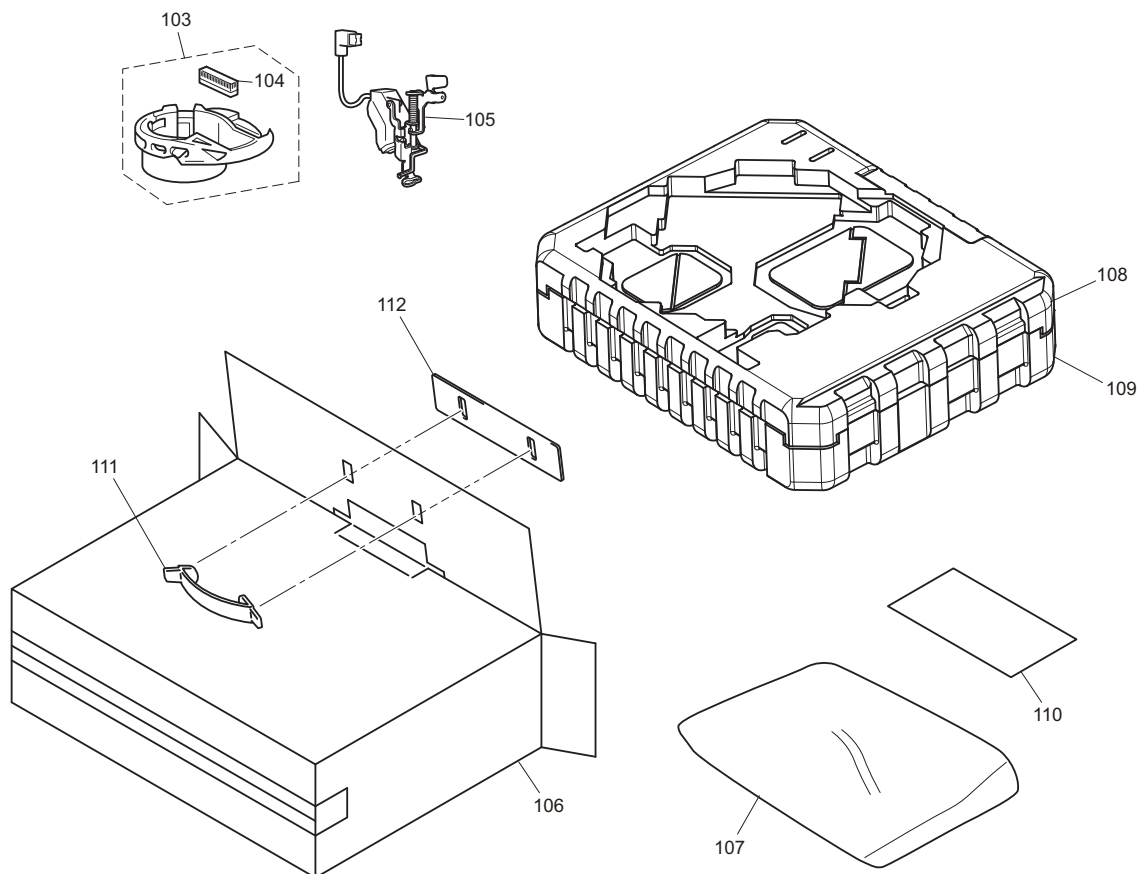
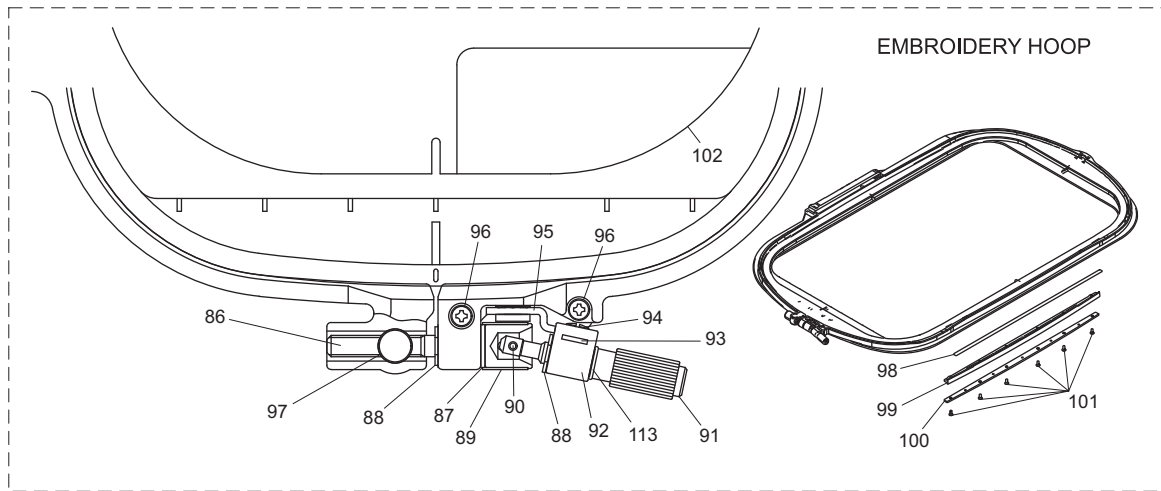
## (7) EMBROIDERY UNIT

No.	CODE	NAME	REMARKS	No.	CODE	NAME	REMARKS
1	XG3100002	EMBROIDERY UNIT SUP FOR XV	1000051961	45	XF9291001	CODE GRIP	
2	XC8298051	ASSY: XY PULSE MOTOR		46	XC7566051	SCREW, PAN(S/P WASHER)M4X8	
3	XF3574001	XPM LEAD WIRE ASSY		47	XE3779001	Y RELAY PCB ASSY	
4	XA8390051	SCREW		48	XF9424001	FLEXIBLE FLAT CABLE:SML2CD-7	
5	XF9264001	TIMING BELT 40S2M676		49	XA8390051	SCREW	
6	XF9747001	TENSION PULLEY ASSY		50	137947001	CLIP	
7	XC7566051	SCREW, PAN(S/P WASHER)M4X8		51	XF9293001	X BELT PRESSER	
8	XF9428001	X INIT PCB ASSY		52	XC7566051	SCREW, PAN(S/P WASHER)M4X8	
9	060300616	SCREW BIND M3X6		53	XF9294001	ES BASE COVER UNIT	
10	X53169050	BAND		54	XA4687051	ADJUSTING SCREW ASSY	
11	XC8298051	ASSY: XY PULSE MOTOR		55	XF3284001	LEAD WIRE ASSY EMB UNIT V	
12	XF9427001	LEAD WIRE ASSY YPM		56	XZ0380051	SCREW,PAN(WASHER)M3X18	
13	XA8390051	SCREW		57	XF3244001	EM CONNECTOR HOLDER	
14	XC8042051	TENSION PULLEY ASSY		58	XF9299001	X ROLLER GUIDE PLATE	
15	XF9276001	TIMING BELT 40S2M862		59	087411416	TAPTITE CUP B M4X14	
16	XC8061051	Y SLIDER		60	XG0402001	CW SWITCH ASSY	
17	XC8062051	YT BELT PRESSER PLATE		61	XG0676001	CUT WORK SWITCH ASSY	
18	XC7566051	SCREW, PAN(S/P WASHER)M4X8		62	X59629051	TAPTITE BIND B M3X10	
19	XF9279001	X ROLLER PLATE ASSY		63	XE3376001	RUBBER	
20	XF9282001	X ROLLER		64	087411416	TAPTITE CUP B M4X14	
21	XG0712001	X ROLLER RUBBER		65	XC7566051	SCREW, PAN(S/P WASHER)M4X8	
22	048030343	RETAINING RING E3		66	XF9300002	ES MAIN COVER ASSY	
23	XE7911001	BOLT SOCKET(S/P WASHER)M3X6		67	XC8112251	XC SUB COVER	
24	XF9289001	Y GUIDE SHAFT		68	XA8390051	SCREW	
25	XG0405001	E HOOP STAY PLATE ASSY		69	XF9305001	X CARRIAGE COVER	
26	XE3768001	E HOOP LOCK LEVER		70	XF9660001	X CARRIAGE COVER RUBBER	
27	XE3759001	LOCK SW PLATE SUB ASSY		71	XF9307001	YPM COVER	
28	XE3766001	HOOP LOCK SW PUSH PLATE		72	085301017	TAPTITE BIND P M3X10	
29	XE3758001	POLYESTER SLIDER		73	XC8089151	E HOOP STAY COVER	
30	048040343	RETAINING RING E4		74	060300416	SCREW BIND M3X4	
31	048025343	RETAINING RING E2.5		75	XC8666051	LOCK LEVER SEAL	
32	XF2741001	FRAME SENSOR PCB ASSY		76	XE3795001	HOLE COVER	
33	XE3756001	E HOOP PRESSURE PLATE		77	XF9308001	RELAY PCB HOLDER	
34	XC8077051	E HOOP PRESSURE SPRING A		78	XF9551001	EMB RELAY PCB ASSY	
35	XG0436001	E HOOP PRESSURE SPRING C		79	XC7564051	SCREW PAN(S/P WASHER)M3X6	
36	060300416	SCREW BIND M3X4		80	0A6400806	SCREW PAN(T WASHER)M4X8	
37	XC7644051	SCREW, PAM (S/P WASHER) M3X5		81	XF9169001	X CARRIAGE GUIDE PLATE B COVER	
38	060400616	SCREW BIND M4X6		82	XF9674001	ES CW CAP	
39	085301017	TAPTITE BIND P M3X10		83	XG0848001	CW UNIT HOLER ASSY	
40	XC8084050	FFC SUPPORT		84	XG0851001	ES BASE COVER LID CW	
41	XF9425001	FLEXIBLE FLAT CABLE:SML2CD-6					
42	060300616	SCREW BIND M3X6					
43	XC8085050	CORD CLIP					
44	XF9804001	Y INIT PCB ASSY					

## **(7) EMBROIDERY UNIT**

**Blank page**

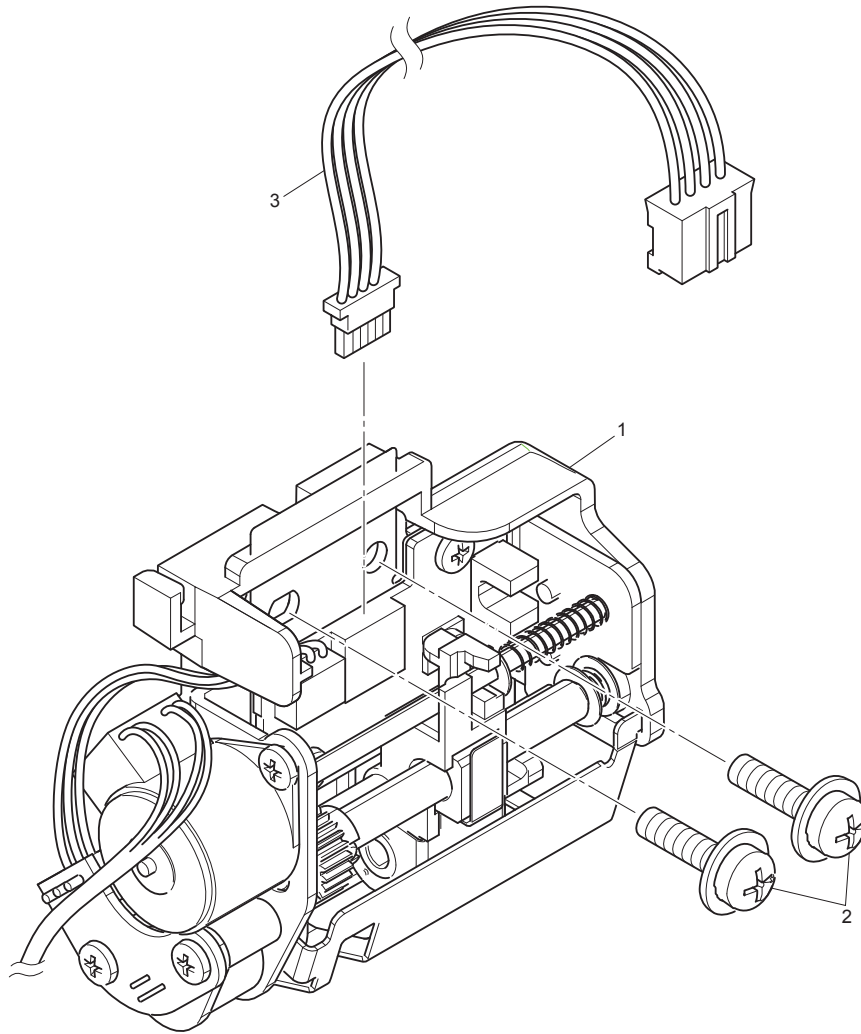
# (7) EMBROIDERY UNIT



## (7) EMBROIDERY UNIT

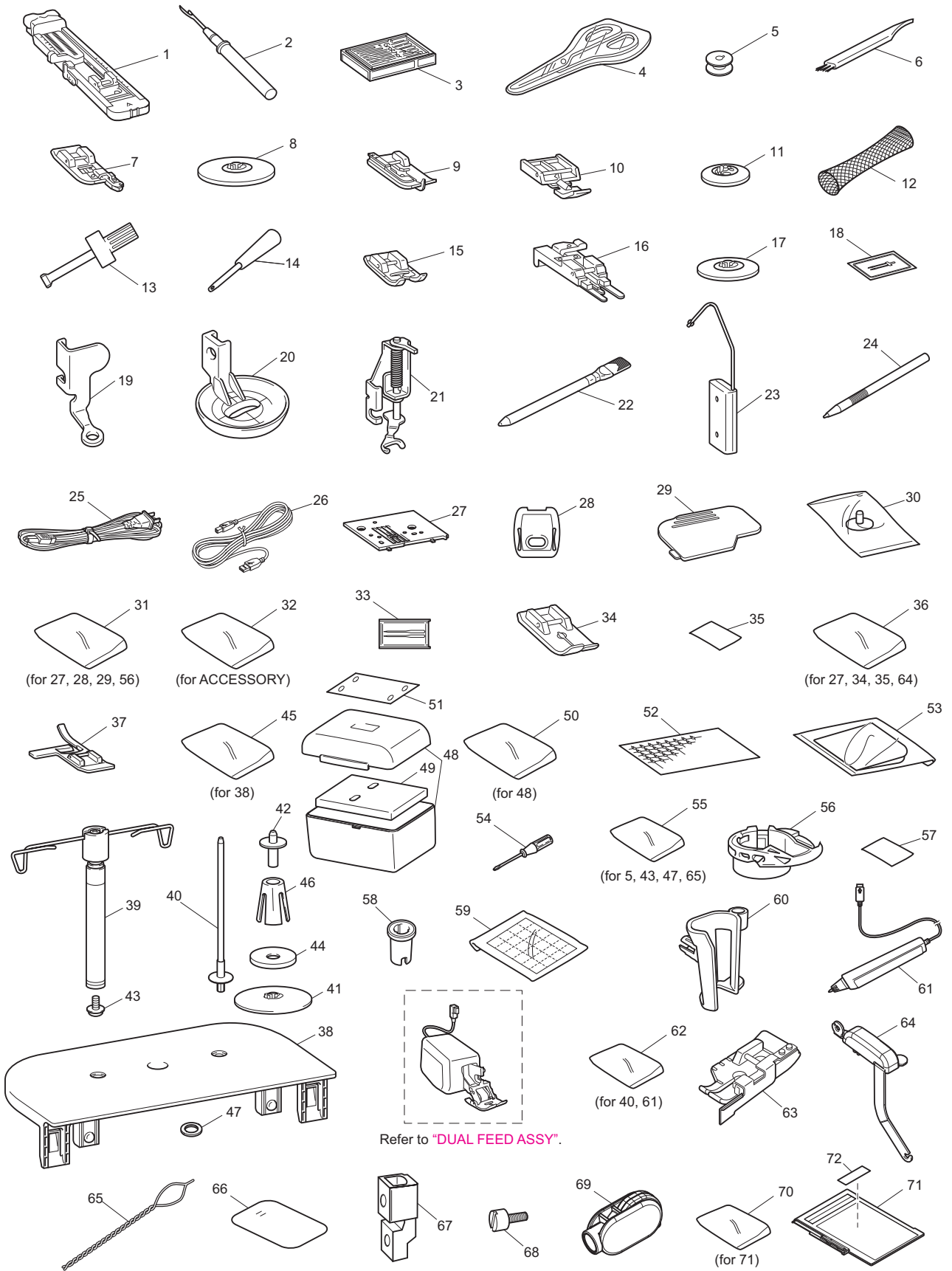
No.	CODE	NAME	REMARKS
85	ACC	EMBROIDERY HOOP ASSY 130D6	
	ACC	EMBROIDERY HOOP ASSY 100D6	
	ACC	EMBROIDERY HOOP ASSY 300X200	
	ACC	EMBROIDERY HOOP ASSY 360X240	
86	XC8118051	THUMB SCREW	
87	026050136	WASHER PLAIN S 5	1000051778
88	048040343	RETAINING RING E4	
89	XC8119051	RING	
90	XC8120051	KNOB PIN	
91	XC8121051	KNOB SHAFT	
92	XC8122051	KNOB HOLDER	
93	XC8123051	KNOB FIXED PLATE	
94	060260416	SCREW BIND M2.6X4	
95	XC8124051	HOLDER ASSY	
96	0A4260806	SCREW PAN (S/P WASHER) M2.6X8	
97	XC8129051	OUTER HOOP NUT	
98	XE5558101	SLIDE SHEET ASSY (for EMBROIDERY HOOP ASSY 360X240, EMBROIDERY HOOP ASSY 300X200)	
99	XF9312001	EMBROIDERY HOOP PAD 360X240 (for EMBROIDERY HOOP ASSY 360X240)	
100	XF9313001	EMBROIDERY HOOP PLATE 360X240 (for EMBROIDERY HOOP ASSY 360X240)	
101	084270616	TAPTITE FLAT B M2.6X6 (for EMBROIDERY HOOP ASSY 360X240)	
102	XC8359051	EMBROIDERY SHEET 130D6 ASSY	
	XC8357051	EMBROIDERY SHEET 100D6 ASSY	
	XE3744001	EMBROIDERY SHEET 300X200 ASSY	
	XF9314001	EMBROIDERY SHEET 360X240 ASSY	
103	XC8167651	INNER ROTARY HOOK ASSY	1000053475
104	XC3137000	PILE	
105	ACC	WPLUS PRESSER UNIT	
106	XG6952001	ES CARTON MODEL:BLDY2 (BLDY2)	
	XF9965001	ES CARTON MODEL:BLDY (BLDY)	
107	X60678051	BAG 700X630H	
108	XF9318001	EMBROIDERY UNIT SF U	
109	XF9319001	EMBROIDERY UNIT SF D	
110	XF3256001	EMBROIDERY UNIT PAD	
111	XC9628051	HANDLE	
112	XC8890050	HANDLE PLATE	
113	XG4525001	BEND WASHER	1000051571

## (8) GUIDE MARKER MACHANISM





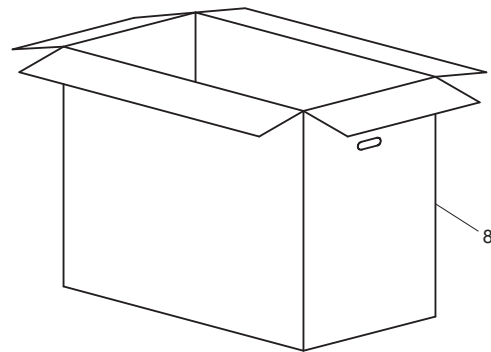
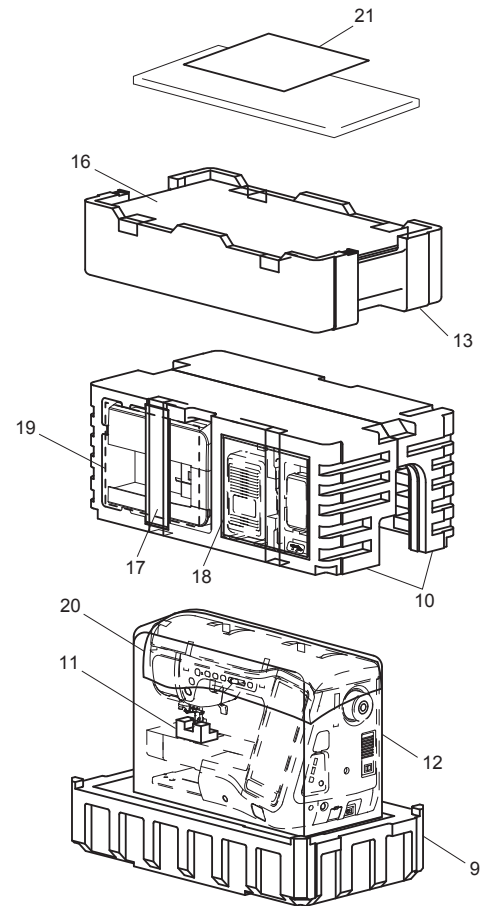
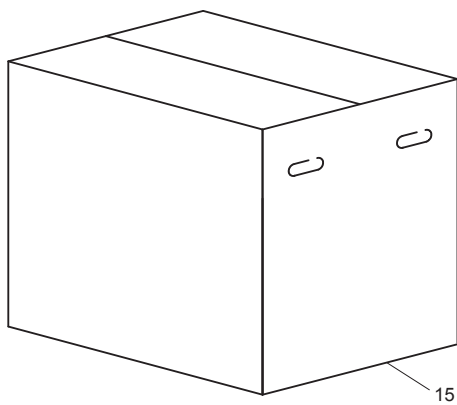
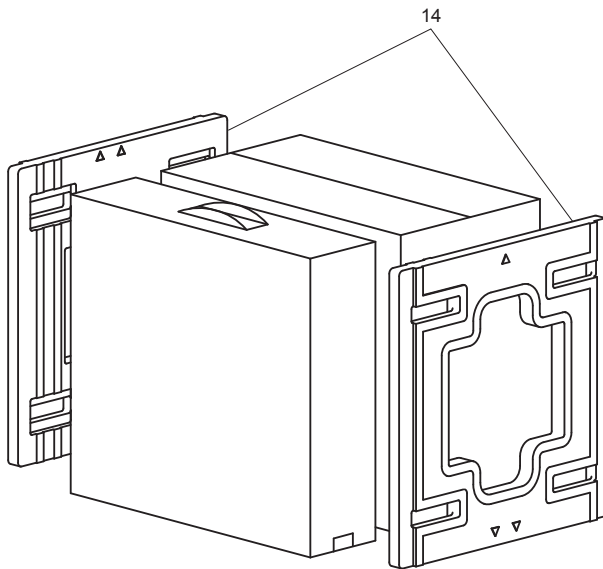
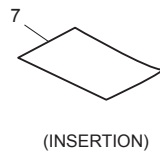
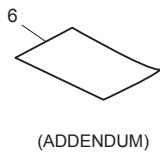
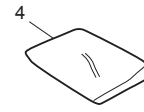
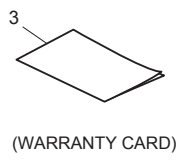
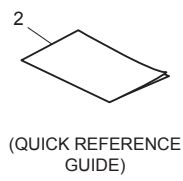
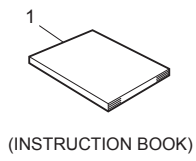
# (9) ACCESSORY PARTS



## (9) ACCESSORY PARTS

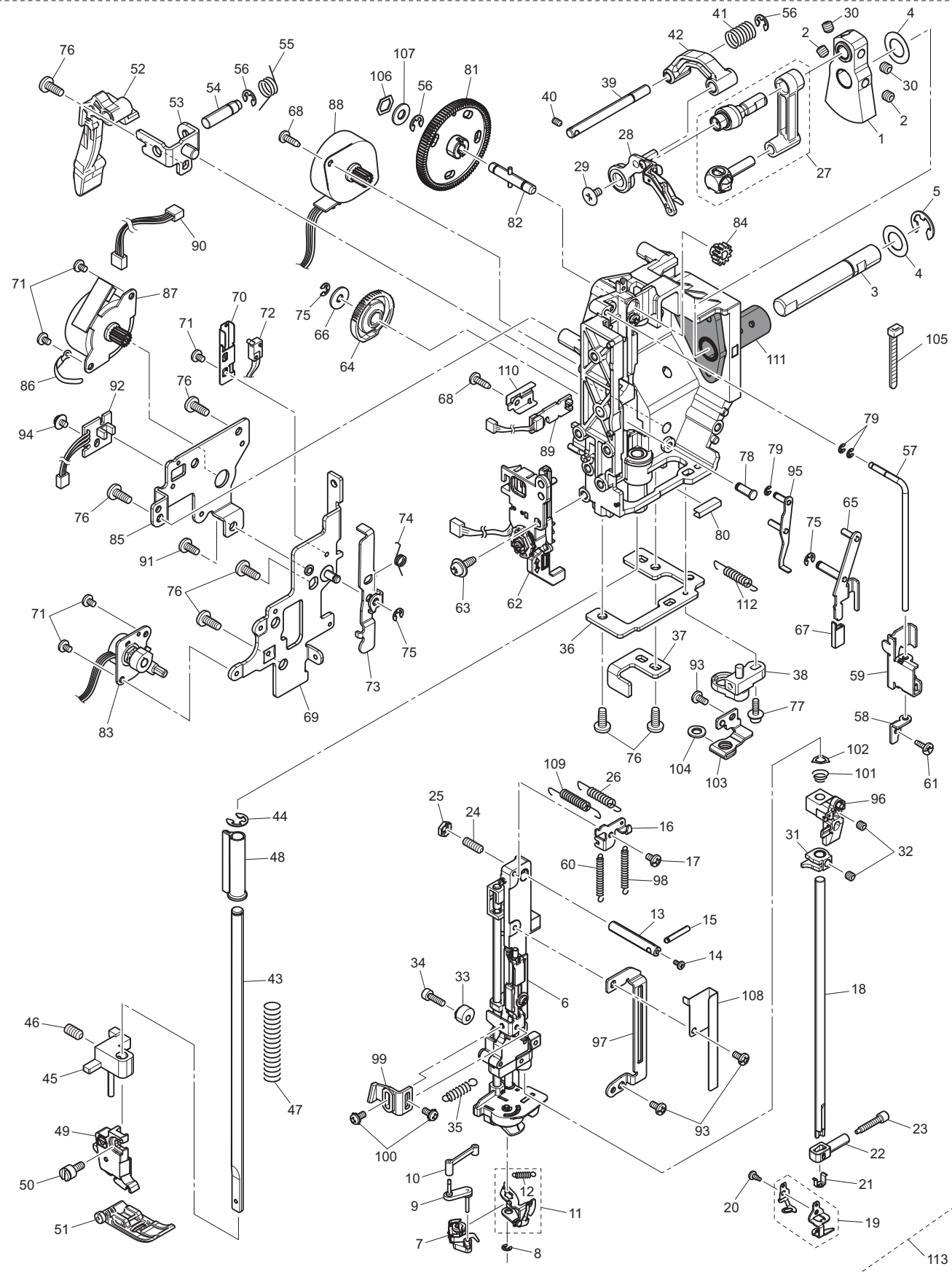
No.	CODE	NAME	REMARKS	No.	CODE	NAME	REMARKS
1	X57789351	BH PRESSER FOOT		45	XA5918051	BAG 170X440	
2	XF4967001	RIPPER ASSY		46	XA0679050	SPOOL CUSHION	
3	XE4962001	Z NEEDLE ASSY		47	026030136	WASHER PLAIN S 3	
4	XF2052001	SCISSORS		48	XF9966001	ACCESSORY BOX ASSY XV	
5	ACC	BOBBIN		49	XE4494001	CUSHION	
6	X59476051	CLEANING BRUSH		50	XC2226051	BAG 270X370H	
7	XC3098051	OVERCASTING STITCH FOOT ASSY		51	XE5547001	ACC BOX INSERTION	
8	130012054	SPOOL PRESSER A		52	XE4912501	STICKER	
9	X56409051	BLIND STITCH FOOT ASSY		53	XE5023101	CLEANING CLOTH T	
10	X59370051	ZIPPER FOOT		54	X55468051	SCREW DRIVER S	
11	130013154	SPOOL PRESSER B		55	X60838051	BAG, 70X110C	
12	XA5523050	NET		56	XE8298001	INNER ROTARY HOOK ASSY BW	
13	XC4237021	DRIVER ASSY		57	XF4989001	BOBBIN WORK INSERTION	
14	XZ5051001	PUNCH		58	XA5752121	SPOOL CAP (SMALL)	
15	X53840351	TRANSPARENCY PRESSER FOOT		59	XE7916001	N.P. DETECTION STICKER ASSY	
16	130489001	BUTTONING FOOT		60	XF2973001	PEN HOLDER	
17	X55260153	SPOOL PRESSER C		61	XF4702101	UWPEN ASSY T	
18	XE4963001	TWIN NEEDLE (1PC)		62	XZ0189051	BAG 160X200	
19	XF4737001	QUILTING FOOT C		63	ACC	QUARTER INCH FOOT ASSY	
20	XE0766001	QUILTING FOOT E		64	XG0786001	YARN GUIDE ASSY	
21	ACC	QUILTING FOOT O ASSY		65	XF7187001	YARN THREADER	
22	XE8568001	CHALK PEN		66	XG1017001	YARN THREADER SHEET	
23	ACC	KNEE LIFTER LEVER ASSY		67	ACC	PRESSER ADAPTER S	
24	XA9940051	TOUCH PEN		68	XA4813051	SCREW	
25	XC6052151	POWER SUPPLY CORD: UL CSA-LF	1000048404	69	ACC	3WAY DRIVER ASSY TAC	
26	XD0745051	USB I/F CORE CABLE		70	X60224051	BAG 350X700H	
27	XF3076001	STRAIGHT NEEDLE PLATE A ASSY		71	XF9321001	SCAN HOOP ASSY	
28	XE5131001	NEEDLE PLATE COVER SUPPLY ASSY		72	XF9325001	MAGNET	
29	XE8992101	NEEDLE PLATE COVER ASSY					
30	XF5048001	BOBBIN GUIDE SET					
31	XE5132001	BAG_100X100					
32	XZ0126051	BAG 140X150C					
33	XD0705151	NEEDLE SET EMB					
34	ACC	STRAIGHT STITCH FOOT					
35	XD0795151	ST FOOT INSERTION					
36	X60687150	BAG, 95X135					
37	ACC	V STITCH ALIGNMENT FOOT ASSY					
38	XE4958101	SPOOL STAND ASSY TAC					
39	XE0776001	SPOOL ANTENNA ASSY					
40	XA6313051	SPOOL ANTENNA					
41	XE0779001	SPOOL PRESSER D					
42	XE0780001	SPOOL PRESSER BASE					
43	XC7568051	SCREW, PAN(S/P WASHER)M4X14					
44	XC7134051	SPOOL FELT					

# (10) USER MANUAL / OTHER PARTS / PACKAGE





# NEEDLE-PRESSER MODULE



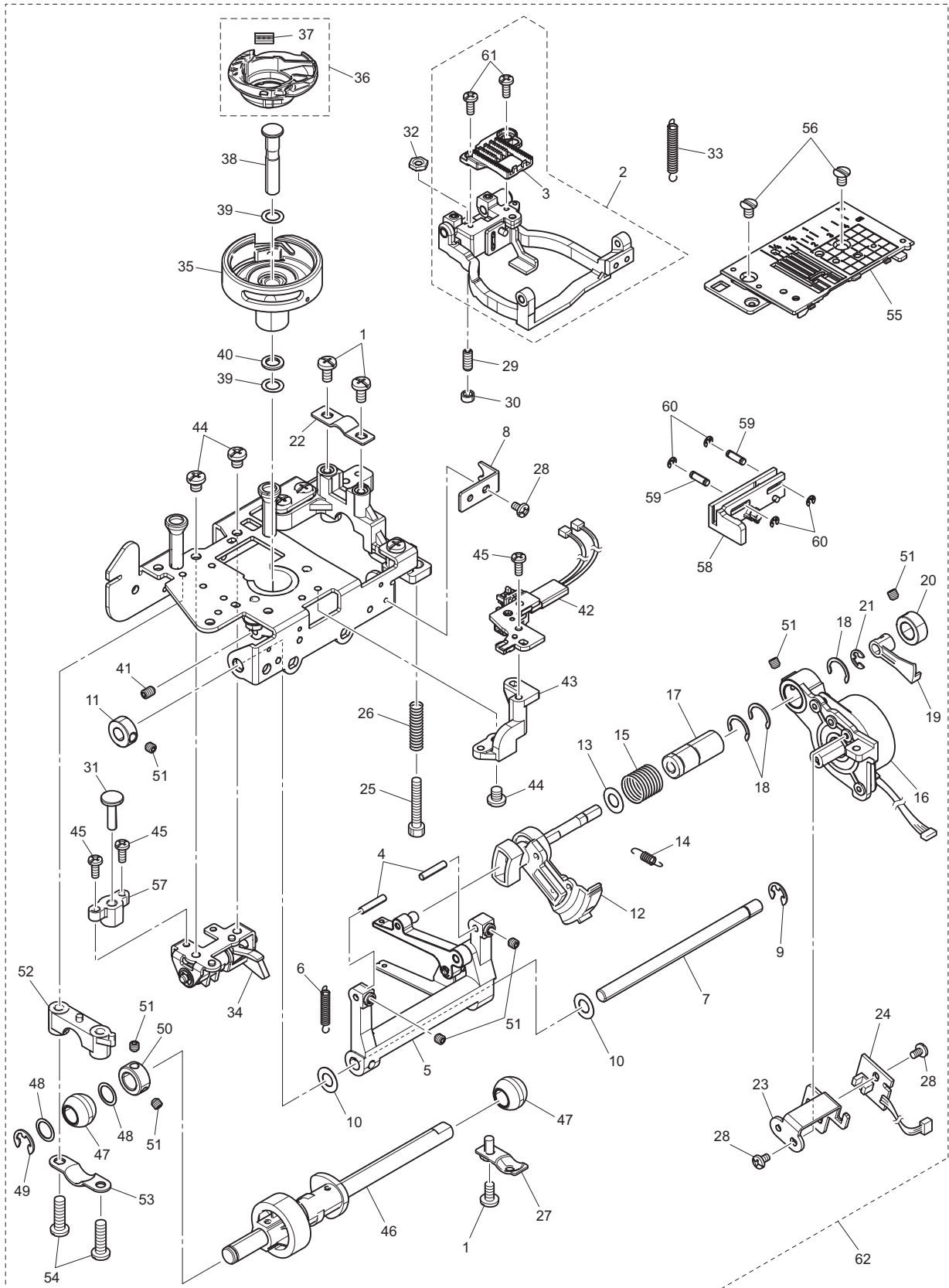
## NEEDLE-PRESSER MODULE

No.	CODE	NAME	REMARKS	No.	CODE	NAME	REMARKS
1	XC7784051	THREAD TAKE-UP COUNTER WEIGHT		45	XE4033001	PRESSER BAR CLAMP ASSY	
2	012500532	SET SCREW SOCKET (FT) M5X5		46	014501032	SET SCREW SOCKET (CP) M5X10	
3	XC7785051	UNIT SHAFT		47	XC7810051	SPRING	
4	131976050	WASHER, THRUST		48	XC7811150	PRESSER FOOT RACK	
5	048080343	RETAINING RING E8		49	XC2242151	PRESSER FOOT HOLDER ASSY	
6	XF3006001	NEEDLE BAR SUPPORTER ASSY		50	XA5904051	SCREW	
7	XD1549351	THREADER HOOK ASSY		51	XF3022001	J FOOT ASSY	
8	048025343	RETAINING RING E2.5		52	XF3025001	LIFT LEVER	
9	XD1546051	LINK A ASSY		53	XE4036001	LIFT LEVER HOLDER ASSY	
10	XD1548151	LINK B		54	XE4039001	PRESSER LIFT LEVER SHAFT	
11	XC9613151	THREAD GUIDE ASSY		55	XE4040001	SPRING, TORSION	
12	XC9616051	SPRING		56	048040343	RETAINING RING E4	
13	XC2419021	SHAFT		57	XE4041001	LEVER GUIDE SHAFT	
14	000020416	SCREW BIND M2X4		58	XE4022001	LEVER SUPPORTER PLATE	
15	XC2420050	SHAFT		59	XF3026001	LEVER AB	
16	XD1488051	PLATE		60	XC7816051	SPRING	
17	060300516	SCREW BIND M3X5		61	136681051	TAPTITE, BIND B M3X8	
18	XE4028001	NEEDLE BAR		62	XF3027001	BH SWITCH ASSY	
19	XE7727201	N/B THREAD GUIDE SUPPLY ASSY		63	XZ0149051	TAPTITE, PAN B 4X12	
20	X53053052	SCREW SM2.38		64	XE4047001	Z ZIGZAG RELEASE CAM	
21	XC2426020	NEEDLE THREAD PLATE		65	XE4048001	Z ZIGZAG LEVER SUB ASSY	
22	XC2427051	NEEDLE BLOCK		66	XD0751051	WASHER	
23	XZ0388251	NEEDLE CLAMP SCREW		67	XC2480020	Z LEVER CUP	
24	014401232	SET SCREW SOCKET (CP) M4X12		68	X59629051	TAPTITE, BIND B M3X10	
25	X56851051	LOCK NUT		69	XE4052201	ADJUSTING PLATE ASSY	
26	XC2429021	SPRING		70	XC2641051	PRESSER SWITCH HOLDER	
27	XF4860001	NEEDLE BAR CRANK R SUPPLY ASSY		71	060300416	SCREW BIND M3X4	
28	XE4029201	THREAD TAKE-UP LEVER ASSY		72	XE4512001	PF SWITCH ASSY	
29	132051052	SCREW, FLAT SM3.57-40X7 L		73	XE4054001	TENSION RELEASE SWITCH LEVER	
30	012500532	SET SCREW SOCKET (FT) M5X5		74	XC9435051	SPRING	
31	XC2434021	NEEDLE THREAD BLOCK		75	048030343	RETAINING RING E3	
32	012400432	SET SCREW SOCKET (FT) M4X4		76	085411015	TAPTITE BIND B M4X10	
33	XC2435050	ZIGZAG ADJUSTING NUT		77	XC3037051	SCREW3X10	
34	018301032	BOLT SOCKET M3X10		78	XE4055001	Z CAM SHAFT	
35	XC2748021	SPRING-Z		79	048020343	RETAINING RING E2	
36	XF3020001	NEEDLE HOLDER BLOCK BASE		80	XC3034020	THREAD GUIDE PLATE	
37	XF3034001	PRESSER BAR SUPPORT PLATE		81	XC7827151	PRESSER DIAL	
38	XF3035001	NEEDLE HOLDER BLOCK ASSY		82	XC8372151	PRESSER DIAL SHAFT ASSY	
39	XC8374051	SHAFT		83	XE4057001	PT HOLDER ASSEMBLY	
40	014300532	SET SCREW SOCKET (CP) M3X5		84	XC7830050	PRESSER DIAL GEAR	
41	XC2441021	SPRING		85	XE4059001	PRESSER PM HOLDER	
42	XC2443020	THREAD TAKE-UP LEVER LINK		86	137947001	CLIP	
43	XF3021001	PRESSER BAR		87	XE5681001	PFPM INSULATION ASSY	
44	048050343	RETAINING RING E5		88	XE4375001	PULSE MOTOR: Z SMW35-4807-A	





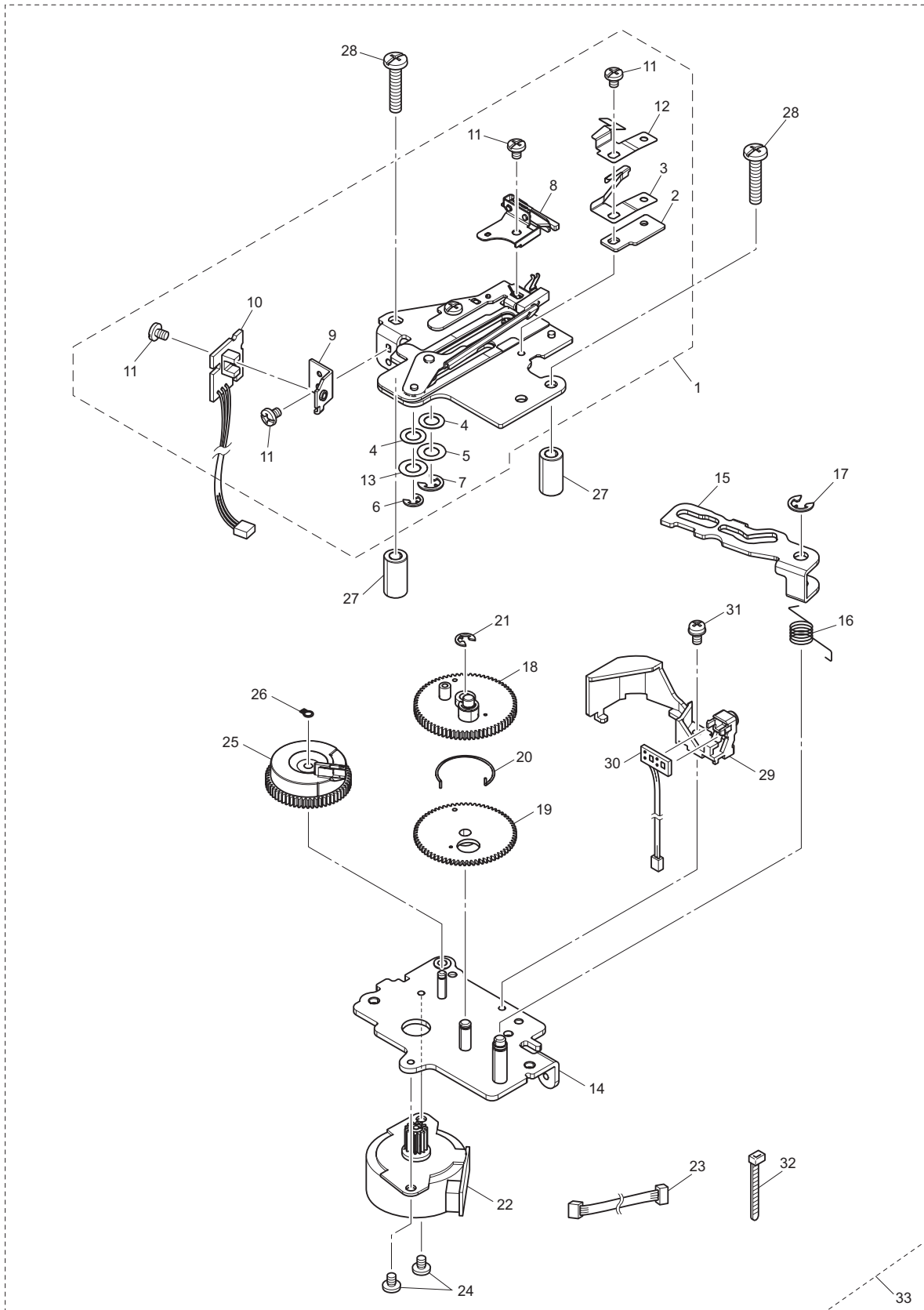
# FEED MODULE



## FEED MODULE

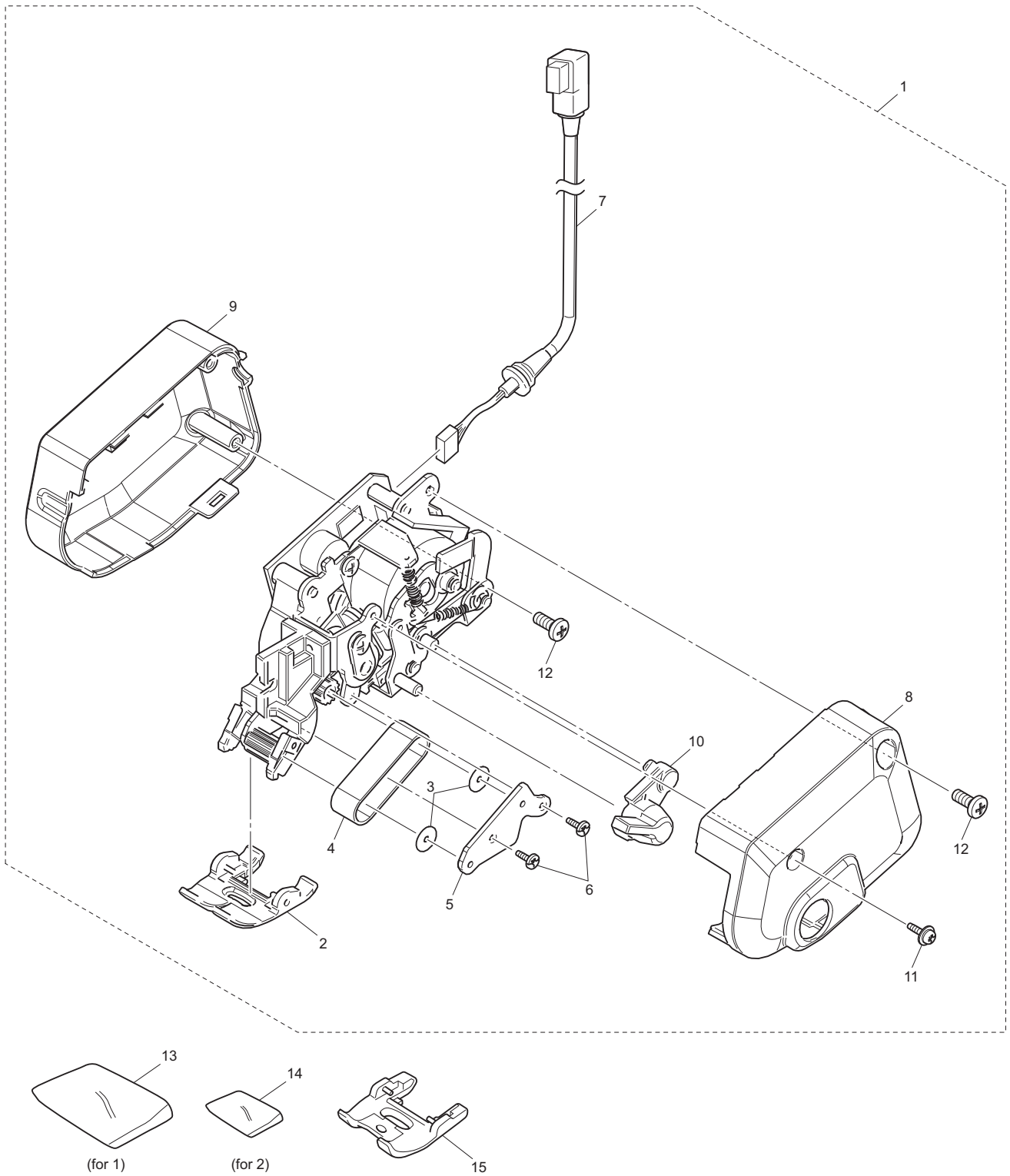
No.	CODE	NAME	REMARKS	No.	CODE	NAME	REMARKS
1	060400816	SCREW BIND M4X8		45	060300816	SCREW BIND M3X8	
2	XF3039001	FEED BAR ASSY		46	XF3783001	LOWER SHAFT B ASSY	
3	XF3042101	FEED DOG		47	X52664050	LOWER SHAFT BUSHING	
4	XC2512051	FEED BAR SHAFT A		48	X51383050	WASHER, THRUST	
5	XC8332051	FEED ARM ASSY		49	048060343	RETAINING RING E6	
6	XC9277051	SPRING		50	137768151	SET SCREW COLLAR	
7	XC7835051	HORIZONTAL FEED SHAFT		51	014400432	SET SCREW SOCKET (CP) M4X4	
8	XC8195051	SHAFT STOPPER PLATE		52	XC2566021	BUSHING SUPPORTER A	
9	048050343	RETAINING RING E5		53	XC2567021	BUSHING PRESSER A	
10	X50546050	WASHER, THRUST		54	060401616	SCREW BIND M4X16	
11	130676151	SET SCREW COLLAR		55	XF3043001	NEEDLE PLATE A ASSY	
12	XE5819001	FEED ADJUSTER GEAR ASSY		56	X50487051	SCREW M4	
13	XC1418050	WASHER		57	XC7862051	VERTICAL FEED BUSH	
14	XC2530021	SPRING		58	XE0705001	DROP LEVER Q	
15	XE4082001	SPRING		59	XC3587021	SLIDE SHAFT A	
16	XE4083001	FPM HOLDER ASSY		60	048020343	RETAINING RING E2	
17	XE4085101	SHAFT BUSHING		61	060300616	SCREW BIND M3X6	
18	XC9924021	RETAINING RING 10		62	XF4861001	FEED MODULE SUPPLY ASSY	
19	XE4086001	F INITIAL SHUTTER					
20	XE4087001	SET COLLAR					
21	048040343	RETAINING RING E4					
22	XE4088001	STOPPER PLATE					
23	XE4089001	FPM SENSOR PLATE					
24	XE4411001	F INIT PCB ASSY					
25	018402532	BOLT SOCKET M4X25					
26	XC2537021	SPRING					
27	132421051	BUSHING PRESSER					
28	060300516	SCREW BIND M3X5					
29	012401032	SET SCREW SOCKET (FT) M4X10					
30	XC7853250	CAP					
31	XC7854051	VERTICAL ROD					
32	X56851051	LOCK NUT					
33	XZ0385051	SPRING					
34	XE4633101	DROP ASSY					
35	XF3569001	OUTER ROTARY HOOK ASSY					
36	XE5342101	INNER ROTARY HOOK ASSY					
37	XE5341001	PILE					
38	XC2230051	OUTER ROTARY HOOK SHAFT					
39	137805052	SPACER					
40	137976051	WASHER 6					
41	014400632	SET SCREW SOCKET (CP) M4X6					
42	XC7863451	INNER ROTARY HOOK BRACKET ASSY					
43	XE5384001	STOPPER PLATE BLOCK ASSY					
44	060400516	SCREW BIND M4X5					

# THREAD CUTTER MODULE



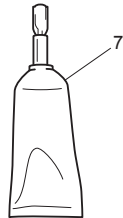
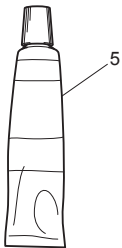
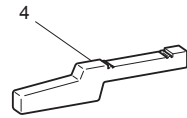
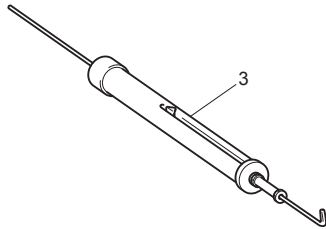
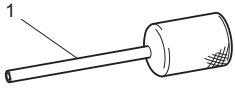


# DUAL FEED ASSY





# SPARE PARTS





06C14HF882W21