

PARTS CATALOGUE FOR

LS-2720

LS-2820

LS-2920

LS-2725

LS-2825

LS-1520

LS-2125

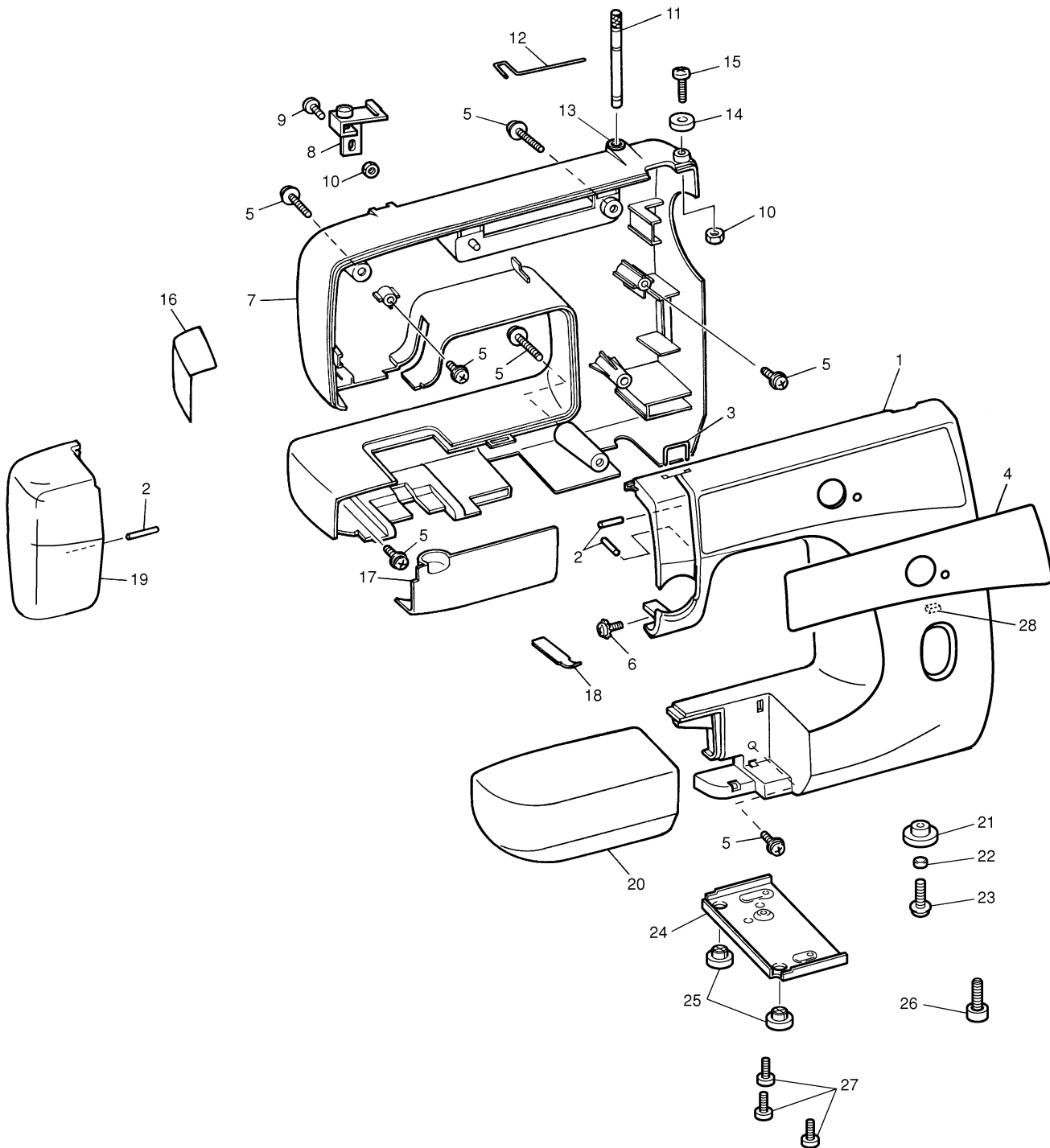
LS-2129

CONTENTS

(1) PRINCIPAL PARTS.....	2
(2) UPPER SHAFT AND NEEDLE BAR.....	4
(3) FEED MECHANISM	6
(4) PATTERN SELECTION, SHUTTLE HOOK AND UPPER TENSION.....	8
(5) LAMP AND MOTOR.....	10
(6) OTHER PARTS	12

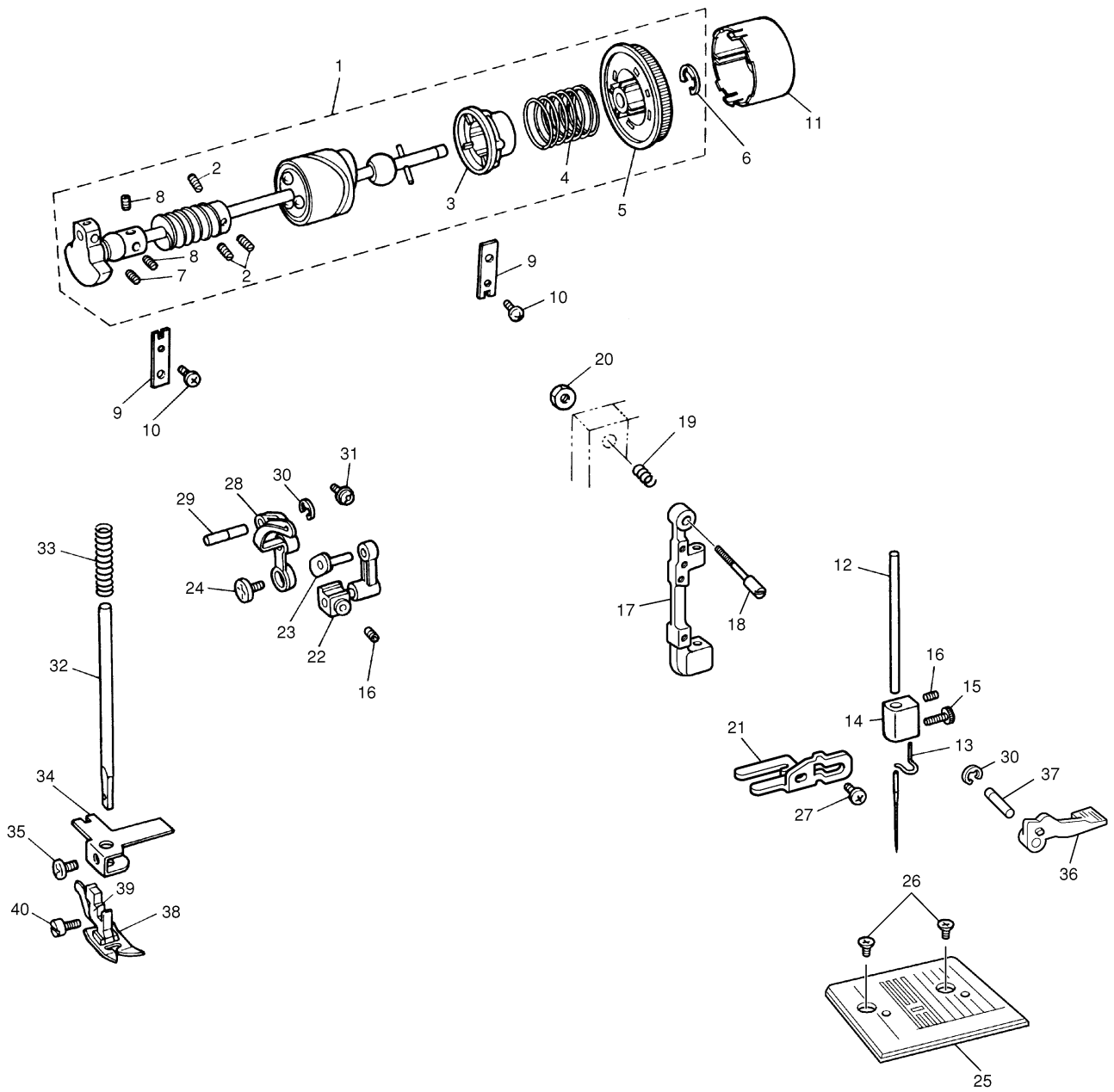
(1) PRINCIPAL PARTS

No.	CODE	PARTS NAME	REMARKS
1	XC0729021	Front cover	
2	0A0211850	SPRING PIN	CHG
3	X53625121	Upper cover thread guide	
4	XC0730021	Decoration plate (LS-2720)	
	XC0730022	Decoration plate (LS-2820)	
	XC0730023	Decoration plate (LS-2920)	
5	XA3337052	Screw	
6	053400806	Screw	
7	XA7925021	Rear cover	
8	XA6106021	THREAD GUIDE ASSY	040161
9	0A5301006	SCREW, PAN (S/P WASHER) M3X10	CHG
10	021300106	Nut	
11	188058121	SPOOL PIN	CHG
12	XA0628021	Spool pin spring	
13	XA8851021	Spool pin stand	
14	X59864221	BOBBIN PRESSER	040152
15	052301606	Screw	
16	X57891021	REFLECTOR	CHG
17	XA7926021	Hinged door assembly (Other)	
	XC1198021	Hinged door assembly (UL/CSA)	
	XC1198022	Hinged door assembly (Brazil/F.Guiana)	
	XC1198023	Hinged door assembly (Argentina)	
18	X53638121	SPRING	CHG
19	XA9974021	Face plate	
20	XA9975021	Accessory table	
21	X58361021	RUBBER CUSHION	CHG
22	X56474021	SPACER	CHG
23	X57297021	SCREW	CHG
24	XA7932021	Base plate	
25	XA1805021	BASE RUBBER A	CHG
26	XA4687021	ADJUSTING SCREW ASSY	CHG
27	060400816	Screw	
28	XA7769021	CUSHION	CHG
29	XC4167021	CAUTION STICKER(LS2720)	ADD
NEW SPEC			
4	XC0730025	Decoration plate (LS-2725)	ADD
	XC0730024	Decoration plate (LS-1520)	ADD
	XC0730026	Decoration plate (LS-2825)	ADD
	XC0730027	DECORATION PLATE (LS-2125)	ADD
	XC0730028	DECORATION PLATE (LS-2129)	ADD
7	XC1201021	REAR COVER ASSEMBLY (U.S.A. & CANADA)	ADD



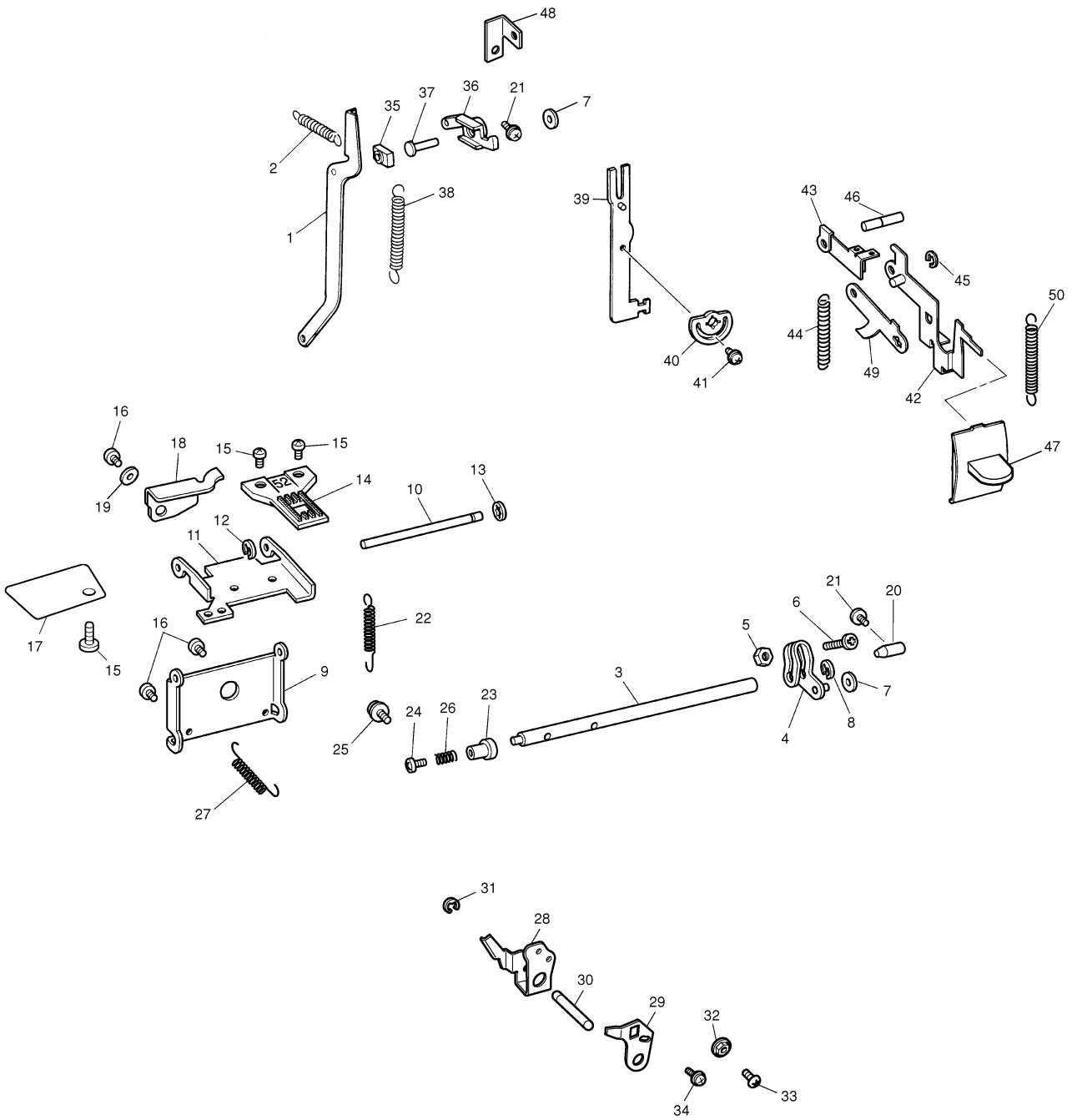
(2) UPPER SHAFT AND NEEDLE BAR

No.	CODE	PARTS NAME	REMARKS	No.	CODE	PARTS NAME	REMARKS
1	XA1500621	Upper shaft assembly		40	132730122	TIGHTENING SCREW 3.57	CHG
2	012400432	Screw					
3	XA0637120	Clutch plate					
4	XA0636020	Clutch spring					
5	XA0638120	Timing wheel					
6	048080346	Stop ring					
7	X54013051	Screw					
8	014400432	Screw					
9	X52478021	BUSHING PRESSER	CHG				
10	X57908021	TAPTITE, BIND S M4 × 10	CHG				
11	XA0639021	Balance wheel					
12	XA2358121	Needle bar					
13	XA0642120	Needle bar thread guide					
14	XA0643121	Needle clamp	CHG				
15	XA0644021	Needle clamp screw	CHG				
16	012400432	Screw					
17	XA8983021	NEEDLE BAR SUPPORTER, (EXCEPT LS1520 USA)	CHG				
	XC6386021	NEEDLE BAR SUPPORTER, (LS1520 USA)	ADD				
18	XA7942021	Needle bar supporter stud					
19	X54369021	Spring					
20	X56851021	Locknut	CHG				
21	XC0329021	Needle bar supporter guide					
22	XA1289121	Needle bar crank rod assembly	CHG				
23	XA1113021	Needle bar crank	CHG				
24	132051052	Screw					
25	XA3954021	Zigzag needle plate	CHG				
26	X50487051	Screw					
27	X57908021	TAPTITE, BIND S M4 × 10	CHG				
28	XA1112121	THREAD TAKE-UP ASSY	CHG				
29	XA0648120	THREAD TAKE-UP LEVER STUD	CHG				
30	048050346	Stop ring					
31	XA0649051	Screw					
32	128437020	PRESSER BAR, (EXCEPT LS1520 USA)	040158				
	XA2402020	PRESSER BAR, (LS1520 USA)	040158				
33	X55770021	PRESSER BAR SPRING	CHG				
34	XA0975021	PRESSER BAR GUIDE BRACKET	CHG				
35	X52760021	SET SCREW, PAN M6 x 12	CHG				
36	XA2511121	Presser foot lifter	CHG				
37	XA0977150	Presser foot lifter stud					
38	138135122	ZIGZAG PRESSER FOOT	040115				
39	138134021	PRESSER FOOT HOLDER	040115				



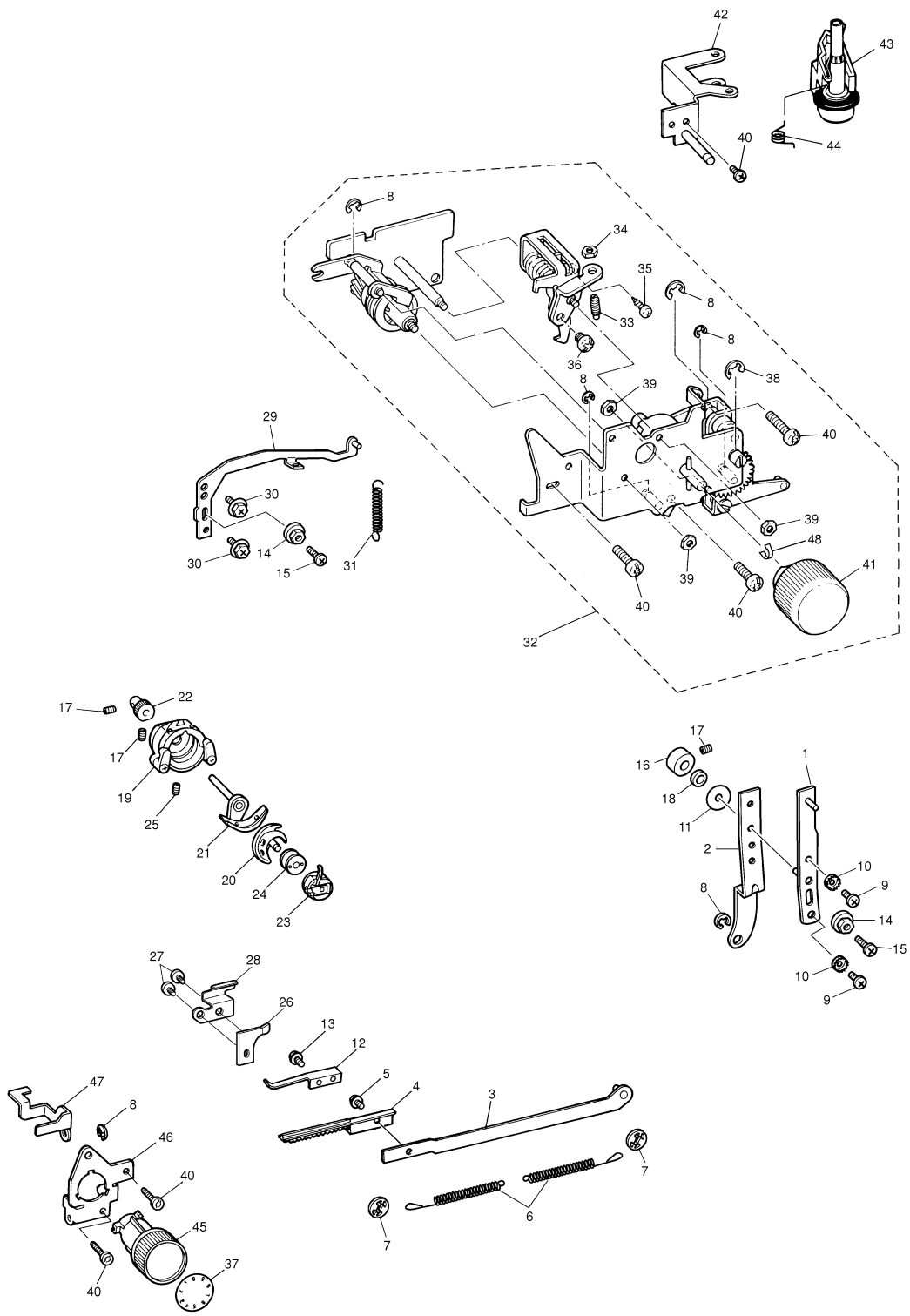
(3) FEED MECHANISM

No.	CODE	PARTS NAME	REMARKS	No.	CODE	PARTS NAME	REMARKS
1	XA0978021	Feed connecting rod		44	X59905051	Spring	
2	XA0980021	Spring		45	048040346	Stop ring	
3	XA0982020	Horizontal feed shaft		46	XA1004120	REVERSE SEWING SHAFT	CHG
4	XA0983121	HORIZONTAL FEED ARM ASSEMBLY	CHG	47	XA9976021	Reverse sewing lever	
5	021400205	Nut		48	XA4534021	Stop plate L	
6	060401416	Screw		49	XA4532121	Reverse sewing lever plate A	
7	X53330020	WASHER	CHG	50	XA4568021	SPRING	CHG
8	048050346	Stop ring					
9	XA0987021	Horizontal feed plate					
10	XA0988021	Feed stand shaft					
11	XA3960021	Feed stand					
12	048030346	Stop ring					
13	146200021	RETAINING RING, CS4	CHG				
14	XA4430021	FEED DOG	CHG				
15	060300416	Screw					
16	060400816	Screw					
17	XA3474021	Dust protect plate					
18	XA4042120	Feed stand support					
19	025040133	Washer					
20	XA1082021	TAPER POINT STUD R	CHG				
21	X57913021	TAPTITE, BIND S M4 x 16	CHG				
22	XA0991021	Spring					
23	X54391120	TAPER POINT STUD L	CHG				
24	062400416	Screw					
25	XA0649021	TAPTITE, CUP S M4 x 14	CHG				
26	X56613021	Spring					
27	XA4692021	SPRING	CHG				
28	XA3480021	Vertical feed arm					
29	XA3481021	Vertical feed adjuster					
30	XA0995151	Vertical feed shaft					
31	048060346	Stop ring					
32	X50559020	ZIGZAG ADJUSTING NUT	CHG				
33	062300806	Screw					
34	060400516	Screw					
35	XA0030021	FEED SQUARE BLOCK	CHG				
36	XA0996020	FEED REGULATOR	CHG				
37	XA0997020	FEED REGULATOR SHAFT	CHG				
38	XA4675051	Spring					
39	XA9169021	Feed regulator plate					
40	XA1002020	Reverse sewing regulator shaft					
41	052300606	Screw					
42	XC0376021	Reverse sewing lever plate B assembly					
43	XA4533021	Reverse sewing lever plate C					



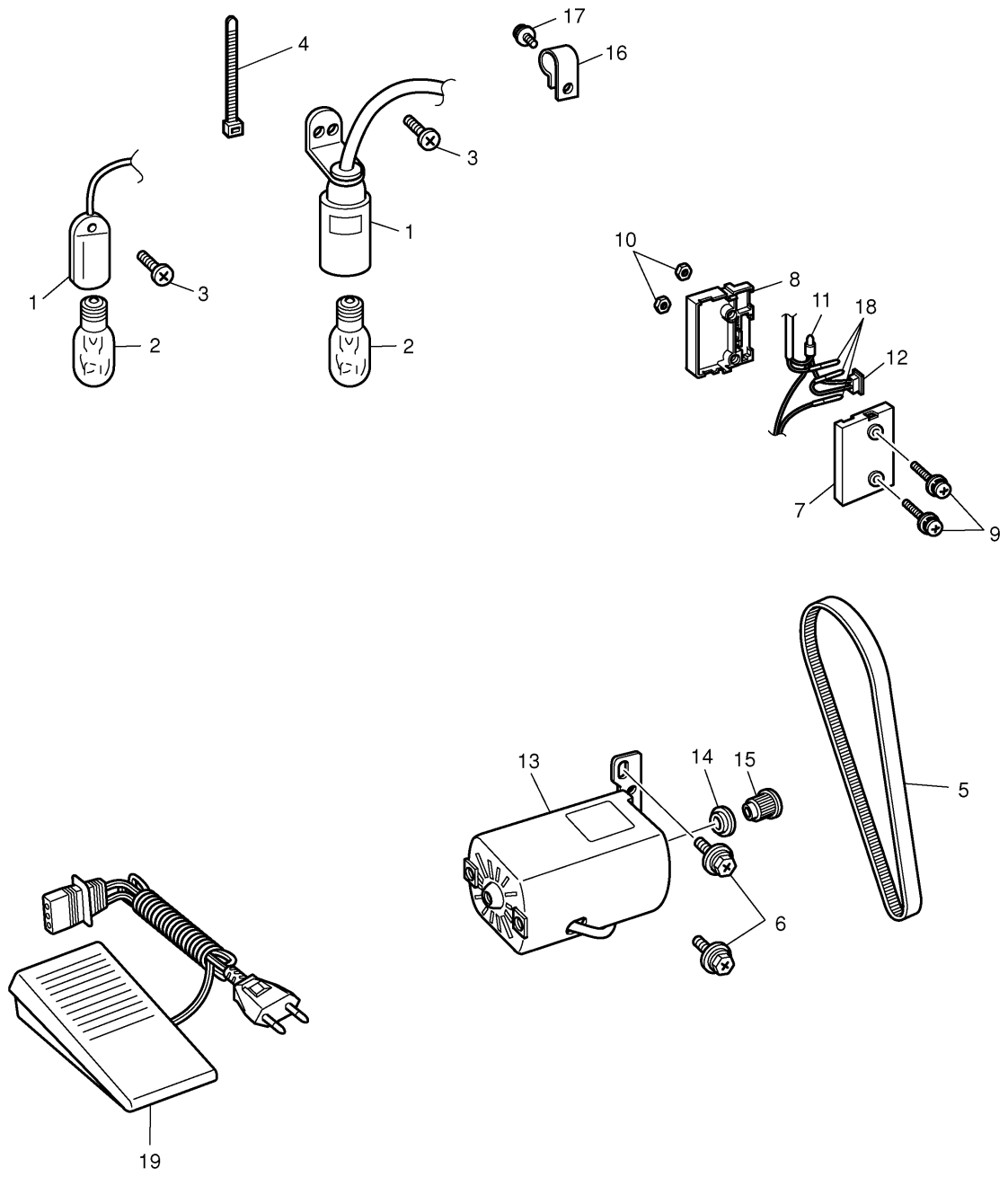
(4) PATTERN SELECTION, SHUTTLE HOOK AND UPPER TENSION

No.	CODE	PARTS NAME	REMARKS	No.	CODE	PARTS NAME	REMARKS
1	XA4693121	CAM DRIVE CONNECTING ROD A	CHG	43	XA1049021	Bobbin winder spindle assembly	
2	XA1012221	CAM DRIVE CONNECTING ROD B	CHG	44	X59939021	Bobbin winder spring	
3	XA1014021	Cam drive connecting rod C assy		45	XA1052021	UPPER TENSION CONTROL DIAL	CHG
4	XA1017120	Rack		46	XA4426021	Upper tension control holder assembly	
5	052300606	Screw		47	XA1058021	Upper tension control releasing lever	
6	XA3439021	Spring		48	XC0549020	Dial hold plate	
7	146200051	Stop ring		NEW SPEC			
8	048040346	Stop ring		41	XC0369022	SELECTING DIAL (LS-2125, LS-2129)	ADD
9	060400816	Screw					
10	XA6909021	TOOTHED WASHER	CHG				
11	131976020	WASHER THRUST	CHG				
12	XA1019021	Rack plate spring					
13	XA8290021	TAPTITE, BIND S M4 x 8	CHG				
14	X50559020	ZIGZAG ADJUSTING NUT	CHG				
15	062301006	Screw					
16	X52077121	COLLAR	CHG				
17	014400432	Screw					
18	X53330020	WASHER	CHG				
19	XA1317022	SHUTTLE RACE ASSEMBLY	CHG				
20	128581022	SHUTTLE HOOK	CHG				
21	XA1021021	SHUTTLE DRIVE ASSY	CHG				
22	XA1025021	DRIVER SHAFT GEAR	CHG				
23	128582023	BOBBIN CASE ASSEMBLY	CHG				
24	X52800120	BOBBIN	CHG				
25	014400632	Screw					
26	X57313121	RACK STOPPER	CHG				
27	X57908021	TAPTITE, BIND S M4 x 10	CHG				
28	XA5702021	Rack stopper A					
29	XA4483121	ZIGZAG CONNECTING ROD ASSY	CHG				
30	XA8474021	UPSET 4 x 12 DB	CHG				
31	XA1529021	Zigzag connecting rod spring					
32	XC0363021	Pattern selection dial assembly					
33	XA1620051	Adjusting screw					
34	X56851021	Locknut					
35	136681051	Screw					
36	060400416	Screw					
37	XA1255121	Upper tension control dial plate					
38	048050346	Stop ring					
39	021400202	Nut					
40	X57908021	TAPTITE, BIND S M4 x 10	CHG				
41	XC0369021	Pattern selection dial					
42	XA7986021	Bobbin winder holder assembly					



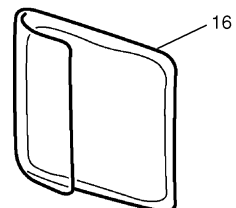
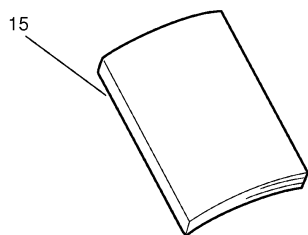
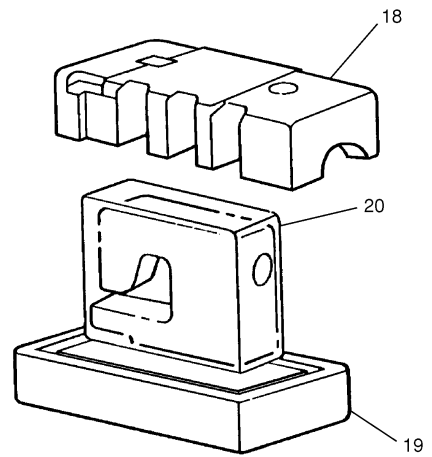
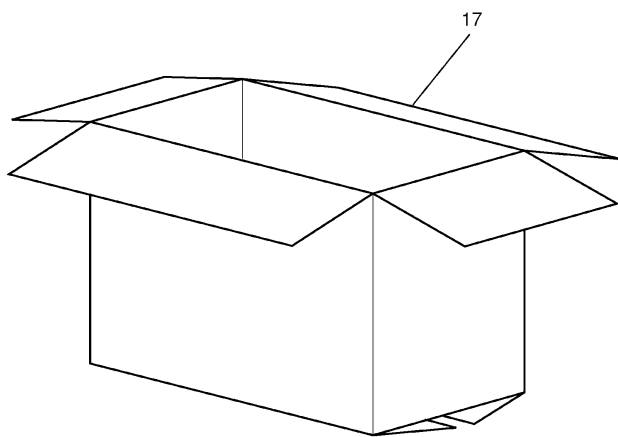
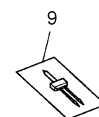
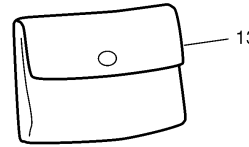
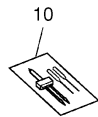
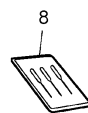
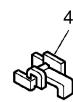
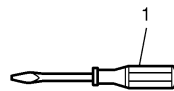
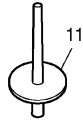
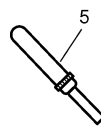
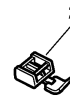
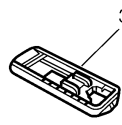
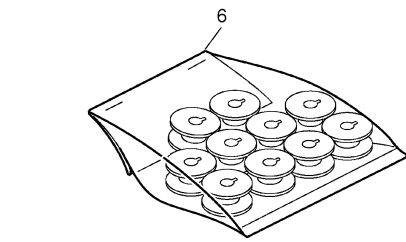
(5) LAMP AND MOTOR

No.	CODE	PARTS NAME	REMARKS	No.	CODE	NAME	REMARKS
1	XC0483021	Sew-light assembly (100-120V)		19	XC7359021	FOOT CONTROLLER : KD-1902	ADD
	XA1064021	Sew-light assembly (220-240V)				(LS2125 : U.S.A.)	
2	X53061020	Sew-light bulb (100-120V)		XC7438221	FOOT CONTROLLER : KD-2902	ADD	
	205336020	Sew-light bulb (220-240V)				(LS2125 : CHILE)	
3	X57984021	TAPTITE, BIND S M3 x 20 (100-120V)	CHG				
	XA1623021	TAPTITE, BIND S M3 x 10 (220-240V)	CHG				
4	X53169050	Band (220-240V)					
5	XA1196021	T BELT B163XXL4.8	CHG				
6	XA3004021	BOLT, (S/P WASHER) M5 x 12	CHG				
7	XA8786021	3P socket body					
8	XA8787021	3P socket cover					
9	052403006	Screw					
10	021400205	Nut					
11	214808020	CONNECTOR : #3	CHG				
12	XA1070021	PW switch assembly (100-120V)					
	XA1073021	PW switch assembly (220-240V)					
13	XA1071321	MOTOR : MM-BU1-9C	040112				
	XA1429121	MOTOR : MM-251-51 (220V)	CHG				
	XA2252121	MOTOR : MM-251-54 (220V:Korea)	040158				
	XA1431121	MOTOR : MM-251-53 (240V)	CHG				
	XA2446121	MOTOR : MM-901-52	040158				
	XA1430121	MOTOR : MM-251-52 (230V)	CHG				
14	XA1265120	Timing belt pulley A					
15	XA1266120	Timing belt pulley B					
16	XA7678021	CORD CRAMP	CHG				
17	X57908021	TAPTITE, BIND S M4 x 10	CHG				
18	138598021	SOCKET PIN	040105				
19	XC6666121	FOOT CONTROLLER : FC-317-27-LF	CHG				
	XA6422121	FOOT CONTROLLER : FC-307-63 (220-240V)	CHG				
	XA6412121	FOOT CONTROLLER : FC-307-58 (U.K.)	CHG				
	XA6424121	FOOT CONTROLLER : FC-307-64 (KOREA)	CHG				
	XA6430121	FOOT CONTROLLER : FC-307-67 (CHINA)	CHG				
NEW SPEC							
1	XC6789021	ASSY : SEWING LAMP E12C#025 (LS2125)	CHG				
13	XC7354021	MOTOR : HFA-07150 FDM (LS2125)	CHG				
	XC7599021	MOTOR : NS-70 FDM220V (LS2125 : CHILE)	ADD				
15	XC7355021	MOTOR T-PULLEY B (LS2125)	CHG				



(6) OTHER PARTS

No.	CODE	NAME	REMARKS	No.	CODE	NAME	REMARKS
1	X55467021	SCREW DRIVER	040105	130800021	BAG 220X310	ADD	
	X55468051	Screw driver (S)		LA6041001	SECURITY TAG	ADD	
2	X59370021	ZIPPER FOOT	040115	XA8411121	WARRANTY CARD (CHINA)	CHG	
3	X59369321	BUTTON HOLE FOOT ASSY	040115	XC0380021	WARRANTY CARD (U.S.A.)	ADD	
4	X59375121	BUTTON SEWING FOOT	CHG	UH3851001	WARRANTY CARD EUR	ADD	
5	X54243001	Seam ripper		XC6402021	WARRANTY CARD (U.K.)	ADD	
6	XA5537051	Bobbin (with UPC)		XA6351121	WARRANTY CARD (ITALY)	ADD	
	XA5537052	Bobbin (without UPC)		181401172	INSERTION WARRANTY COUPON (CANADA)	ADD	
7	X55465051	Oiler		XA7201021	USER'S MANUAL (LS-1520 : U.S.A.)	040105	
8	129583021	NEEDLE SET (3PCS)	CHG	XC2067021	USER'S MANUAL (LS-2129)	ADD	
9	X57521021	NEEDLE PACKAGE (1PCE)	CHG	X59371021	NARROW HEMMER FOOT, (LS-1520 U.S.A., LS-2129)	040115	
10	X58604001	Needle set (Korea)		XA3805021	1/4' QUILTING FOOT (LS-2129)	ADD	
11	130920021	EXTRA SPOOL PIN	CHG	X59372021	BLIND STITCH FOOT (LS-1520 U.S.A.)	040115	
12	XA3442121	FEED DOG COVER	CHG	XC1885021	MANUAL (LS-1520 U.S.A., LS-2129)	ADD	
13	XC4487021	ACCESSORY BAG	CHG	XC6911021	ACCINFO SHEET (LS-2125, LS-2129)	ADD	
14	XA5771051	Scissors					
15	194404111	INSTRUCTION BOOK, (For DNK) (Eng., Fr., Sp., Portugal)	CHG				
	194404012	Instruction manual (Ger., Fr., Du., It.)					
	XC6790021	INSTRUCTION BOOK (LS-2125, LS-2129)	ADD				
	194404013	INSTRUCTION BOOK (CHINA)	ADD				
16	XA2112022	DUST COVER ASSY (EXCEPT U.S.A.&CANADA)	CHG				
17	X60360037	Carton (LS-2720:Color)					
	X61211046	Carton (Europe LS-2720)					
	X61674032	Carton (Singapore,UAE LS-2720)	ADD				
	X61674022	Carton (Europe LS-2820)					
	X61674027	Carton (Europe LS-2920)					
	X61674034	Carton (Singapore,UAE LS-2920)	ADD				
	X61674035	Carton (U.K. LS-2725)	ADD				
	X60360039	CARTON, (LS-1520 CAN)	CHG				
	X60360074	CARTON, (LS-1520 USA)	ADD				
	X61674037	Carton (LS-2825)	ADD				
	X60360046	CARTON (LS-2125)	ADD				
	X60360047	CARTON (LS-2129)	ADD				
	X61674041	CARTON (LS-2125 : CHILE)	ADD				
	X60360040	CARTON (LS-2720 : KOREA)	ADD				
	X61674029	CARTON (LS-2820 : SINGAPORE)	ADD				
	X61674039	CARTON (LS-2720 : CHINA)	ADD				
	18	X61509020	403SF ASSY	ADD			
X61509021		403SF ASSY (KOREA)	ADD				
19	X60439121	BAG 630X630T	CHG				



LS-2720, 2820, 2920, 2725
LS-2825, 1520, 2125, 2129
T1010136