

brother®

Home Sewing Machine

PARTS REFERENCE LIST

MODEL: PE700/PE700II/PE750D

NV700E/NV700EII/NV750D

MECHANISMS & ELECTRONICS

CONTENTS

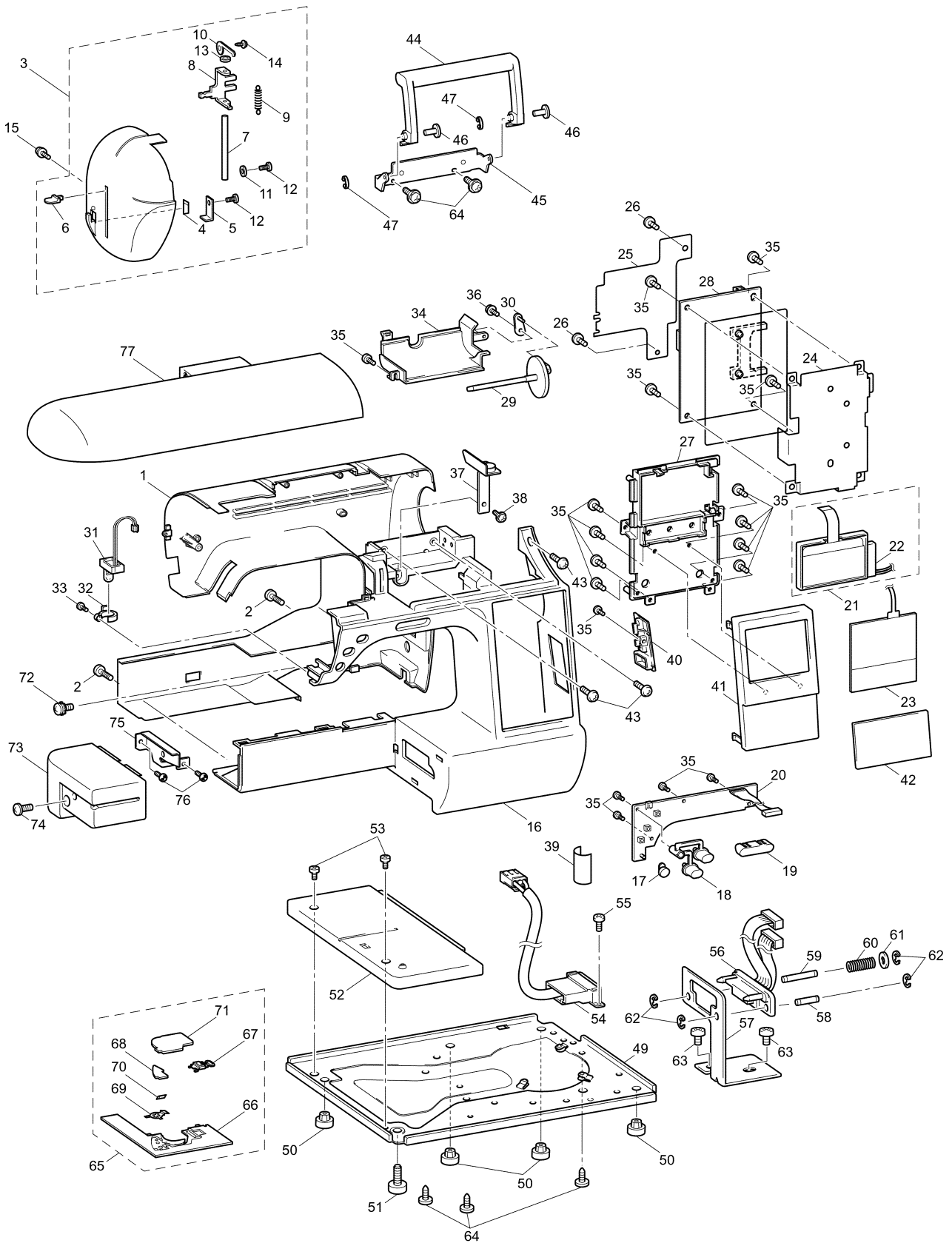
(1) PRINCIPAL PARTS.....	2
(2) UPPER SHAFT / NEEDLE BAR, PRESSER MECHANISM	4
(3) FEED, ROTARY HOOK / THREAD CUTTING MECHANISM	6
(4) ROTARY HOOK DRIVE / BOBBIN WINDER MECHANISM	8
(5) THREAD GUIDE MECHANISM.....	10
(6) ELECTRONIC PARTS / MOTOR UNIT	12
(7) EMBROIDERY UNIT	14
(8) ATTACHMENTS / PRINTED MATTER / PACKING MATERIALS	16
NEEDLE-PRESSER MODULE.....	18
FEED MODULE	20
THREAD CUTTER MODULE	22

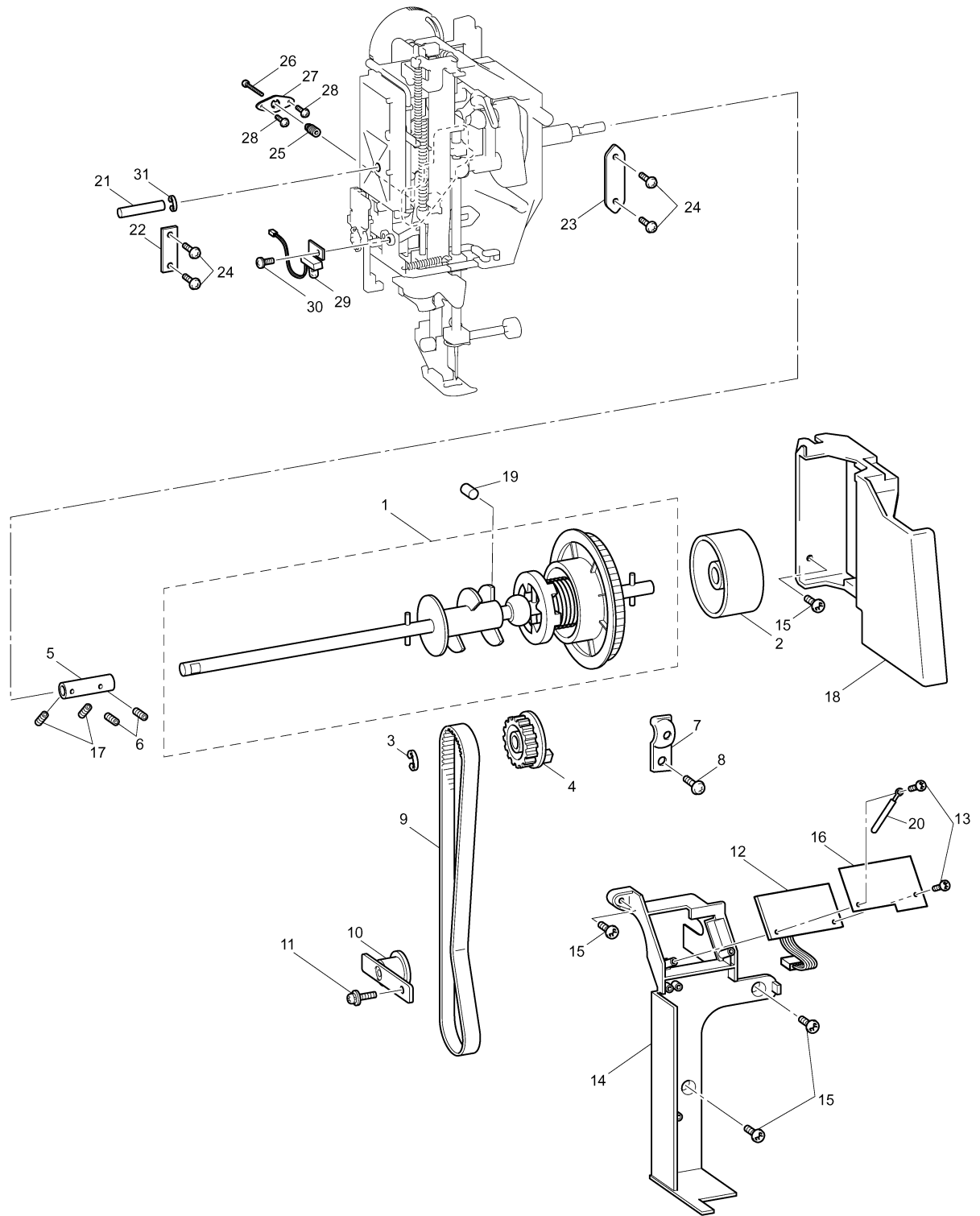
Note on parts:

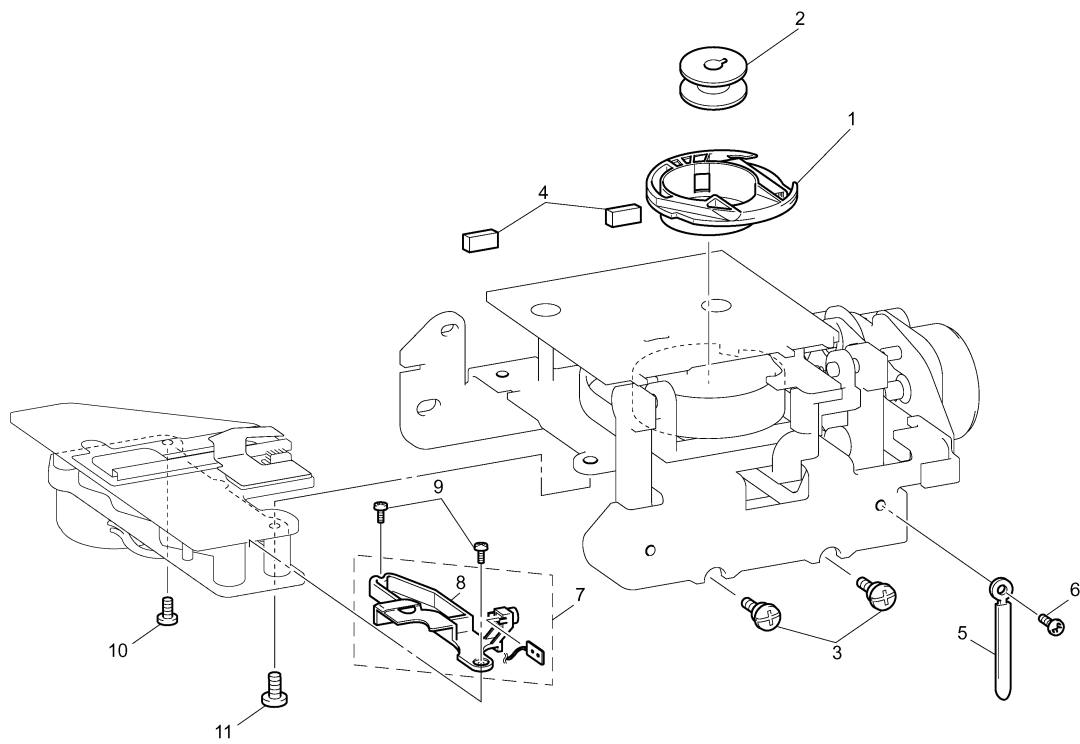
We keep performance parts for this sewing machine for at least 8 years after this model is discontinued. Performance parts are the necessary parts to maintain the function of the sewing machine.

(1) PRINCIPAL PARTS

No.	CODE	NAME	REMARKS	No.	CODE	NAME	REMARKS
1	XD1593051	REAR COVER ASSY		42	XD0349155	PANEL PLATE (PE700)	
2	060400816	SCREW, BIND M4 × 8			XD0349156	PANEL PLATE (NV700E)	
3	XD1596151	FACE PLATE	1000011565		XD0349157	PANEL PLATE (PE750D)	ADD
4	X80321021	NT LOWER THREAD CUTTER	060123		XD0349159	PANEL PLATE (PE700-2)	ADD
5	XC9682051	FACE PLATE CUTTER HOLDER			XD0349158	PANEL PLATE (NV700E-2)	ADD
6	XC9604051	NEEDLE THREAD LEVER KNOB			XD0349160	PANEL PLATE (NV750D)	1000003955
7	XA5825051	NEEDLE THREAD LEVER SHAFT		43	085411416	TAPTITE, BIND B M4 × 14	
8	XC9683051	NEEDLE THREAD LEVER		44	XC2348051	HANDLE	
9	138260051	THREAD THROUGH LEVER SPRING		45	XC9696051	HANDLE HOLDER	
10	XZ0406050	SHAFT PRESSER PLATE		46	XC2350051	HANDLE SHAFT	
11	XE5212001	WASHER, PLAIN	1000011565	47	048040346	RETAINING RING, E4	1000001452
12	138433021	TAPTITE, PAN B M3 × 6	060123	48	437713020	POLYESTER SLIDER	1000014067
13	XC0508020	RUBBER WASHER	060123	49	XC6818151	BASE PLATE	
14	X59629021	TAPTITE, BIND B M3 × 10	060123	50	XA1805021	BASE RUBBER A	060123
15	XC7568051	SCREW PAN (S/P WASHER) M4 × 14		51	XE1973001	ADJUSTING SCREW ASSY	060123
16	XD1599151	FRONT COVER	1000014022	52	XC9589051	BASE PLATE COVER	
17	XC9600052	SS-BUTTON		53	060300516	SCREW, BIND M3 × 5	
18	XC9601052	REVERSE BUTTON		54	XC4412051	INLET ASSY: F1D-US (U.S.A.)	
19	XD1601051	SV COVER			XC4417051	INLET ASSY: F1D-EU (OTHER)	
20	XD1602051	PCB ASSY SS F-EM			XE0358001	INLET ASSY US2 (PE700-2, PE750D with USB)	1000004096
21	XD0830051	LCD SUPPLY ASSY		55	060400616	SCREW BIND M4X6	
22	XD0334051	BACK LIGHT PCB ASSY		56	XD0351051	LEAD WIRE ASSY MAIN BODY FCOMB	
23	XD0338057	ASSY: TOUCH PANEL		57	XD0352051	CONNECTOR HOLDER F-US	
24	XD0340051	BOARD PLATE		58	XD0353051	ES PIN F-A	
25	XD0331051	BOARD PLATE UPPER		59	XD0945051	ES PIN F-B	
26	060300516	SCREW BIND M3X5		60	XD0967051	SPRING, COMPRESSION	
27	XD0341051	MAIN PCB HOLDER		61	XC2514021	FEED BAR SPACER	
28	XD1976051	MAIN PCB SUPPLY ASSY		62	048020346	RETAINING RING E2	
	XE1922001	MAIN PCB SUPPLY ASSY (PE750D)	ADD	63	062400612	SCREW PAN M4X6	
	XE1978001	MAIN PCB SUPPLY ASSY (PE700-2, NV700E-2)	1000007487		XC8902051	FERRITE CORE: E04SR200935A (PE700-2)	ADD
	XE2563001	MAIN PCB SUPPLY ASSY (PE750D with USB)	1000001518	64	X57908021	TAPTITE, BIND S M4X10	060160
29	XA1786053	SPOOL PIN		65	XD0354251	NEEDLE PLATE B ASSY	1000006037
30	XC9690051	SPOOL PIN HOLDER ASSY		66	XD0355251	NEEDLE PLATE B	1000006037
31	XD0343051	PCB UNIT: LED LAMP-FR		67	XC7371022	SLIDE BUTTON	
32	XC7081051	LAMP HOLDER SUPPORTER		68	XD1666052	CUTTER COVER	
33	X57372051	TAPTITE, PAN P M2.6 × 8		69	XD1461051	NEEDLE PLATE COVER SPRING	
34	XC9591051	THREAD BOBBIN COVER		70	X80321021	NT LOWER THREAD CUTTER	
35	136681021	TAPTITE, BIND B M3 × 8	060123	71	XD1645021	NEEDLE PLATE COVER SUPPLY ASSY	
36	087311015	TAPTITE, CUP B M3 × 10		72	XC4433051	SCREW, PAN (T WASHER) M3 × 6	
37	XC9693451	BOBBIN WINDER GUIDE ASSY		73	XC9588251	FREE ARM COVER	
38	XA8390021	SCREW	060123	74	XC7566051	SCREW, PAN (S/P WASHER) M4X8	
39	XZ0143050	SSVR INSULATION SHEET		75	XC9746151	FREE ARM PLATE	
40	XD0342051	CARD COVER		76	060400616	SCREW BIND M4X6	
	XD0893051	CARD COVER (PE700-2, NV700E-2, PE750D with USB)	1000001518	77	XD0356053	TOP COVER (PE700, PE700-2)	
41	XD0347151	INDICATION PLATE			XD0356054	TOP COVER (NV700E, NV700E-2)	

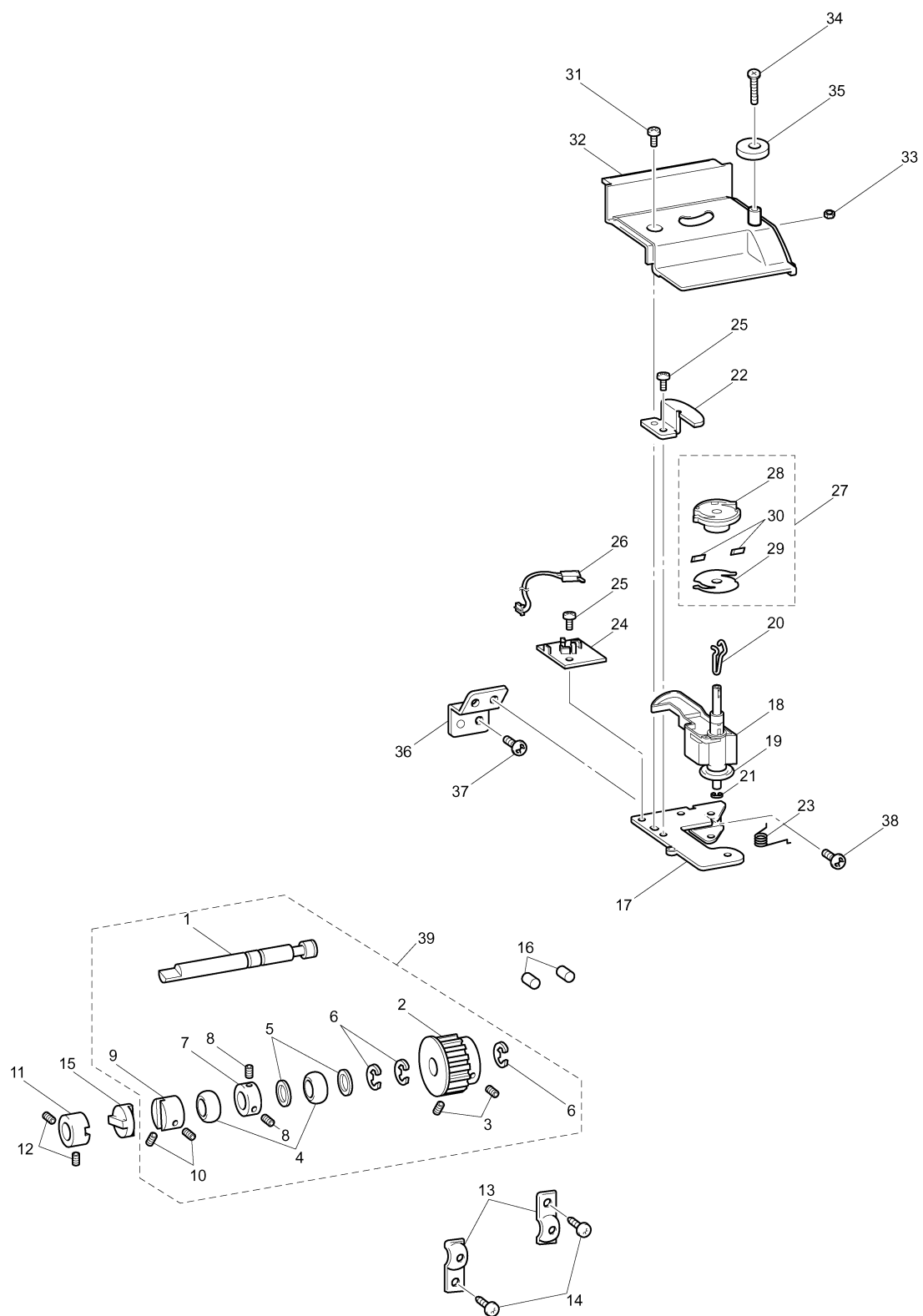






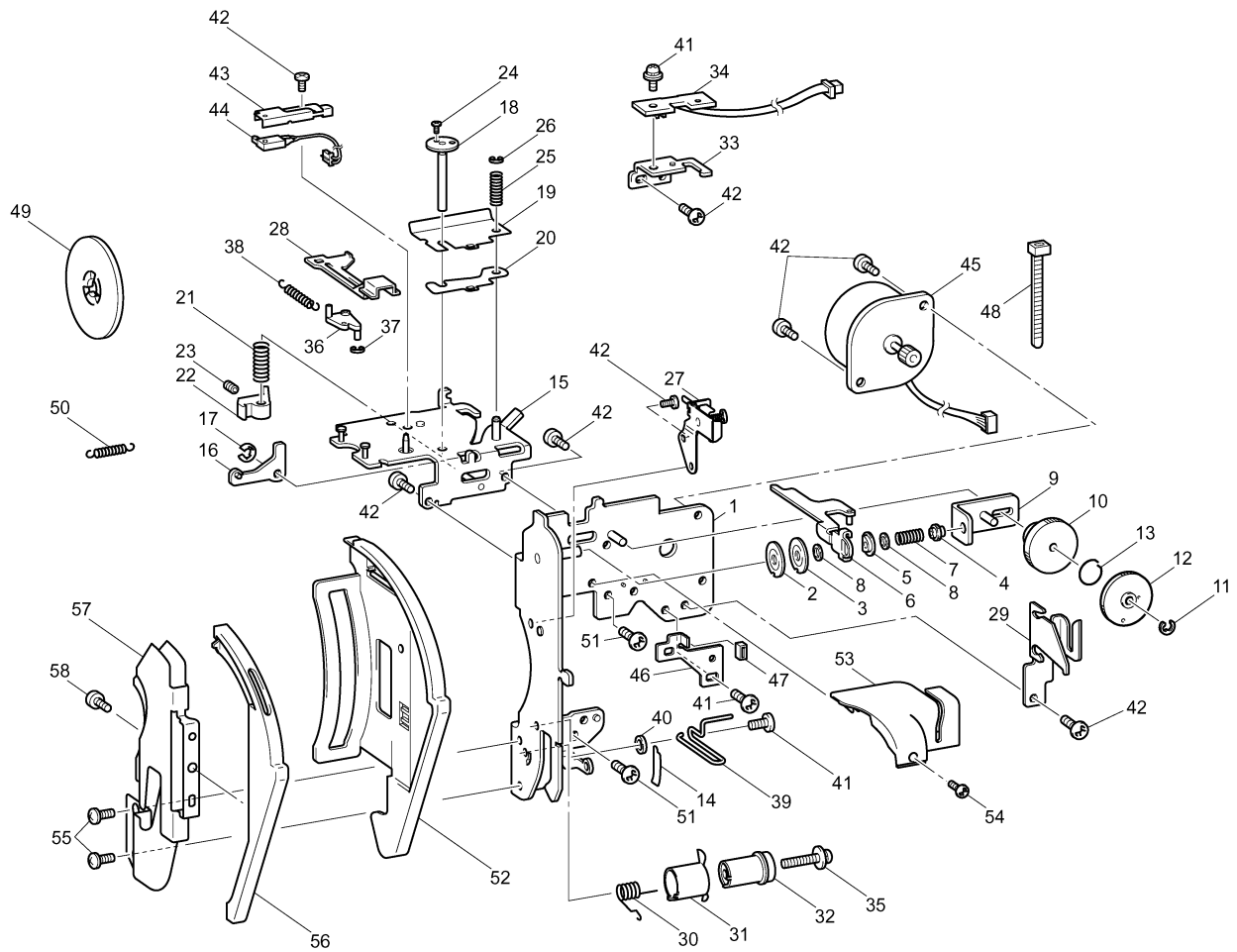
(4) ROTARY HOOK DRIVE / BOBBIN WINDER MECHANISM

No.	CODE	NAME	REMARKS
ROTARY HOOK DRIVE MECHANISM			
1	XC2600050	LOWER SHAFT A	
2	XC4943021	TIMING PULLEY D	1000000444
3	014500532	SET SCREW, SOCKET (CP) M5 × 5	1000000444
4	X52664050	LOWER SHAFT BUSHING	
5	X51383020	WASHER, THRUST	
6	048060346	RETAINING RING, E6	1000001452
7	137768121	SET SCREW COLLAR	
8	014400432	SET SCREW, SOCKET (CP) M4 × 4	
9	XC2602021	JOINT	060101
10	012500532	SET SCREW, SOCKET (FT) M5 × 5	
11	XC2602021	JOINT	060101
12	012500532	SET SCREW, SOCKET (FT) M5 × 5	
13	132421021	BUSHING PRESSER	060101
14	X57908021	TAPTITE, BIND S M4 × 10	060101
15	XC2603050	DISK	
16	XC3183051	FELT	
BOBBIN WINDER MECHANISM			
17	XC2605051	BOBBIN WINDER ASSEMBLY HOLDER	
18	XC2606251	BW SHAFT HOLDER ASSEMBLY	
19	X55238021	RUBBER RING	
20	XZ5039001	BOBBIN WINDER SHAFT SPRING	1000007062
21	048050343	RETAINING RING, E5	
22	XA2862021	BOBBIN WINDER SHAFT STOPPER	
23	X59939021	BOBBIN WINDER SPRING	
24	XC2614021	SW ADJUST PLATE	
25	060300616	SCREW, BIND M3 × 6	
26	XC2612051	SW ASSY: BW-F	
27	XC4672051	BOBBIN BASE ASSY	
28	XC2616051	BOBBIN BASE	
29	XA5877021	BOBBIN THREAD CUTTER HOLDER	
30	X80321001	NT LOWER THREAD CUTTER	
31	XA8390021	SCREW	
32	XC9590051	BOBBIN WINDER COVER	
33	021300205	NUT, 2 M3	
34	0A4302506	SCREW PAN (S/P WASHER) M3X25	
35	XC4517051	BOBBIN PRESSER	
36	XC2615051	BW HOLDER SUPPORTER	
37	X57908021	TAPTITE, BIND S M4 × 10	060115
38	060400816	SCREW, BIND M4 × 8	
39	XC2599021	LOWER SHAFT A ASSY	1000001116



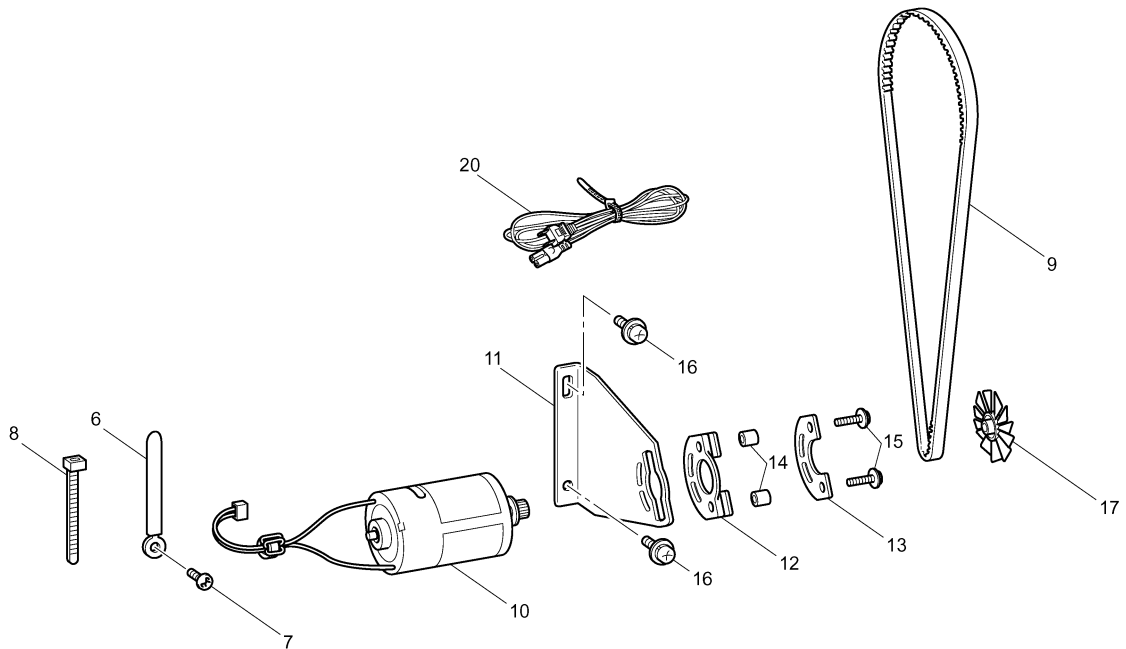
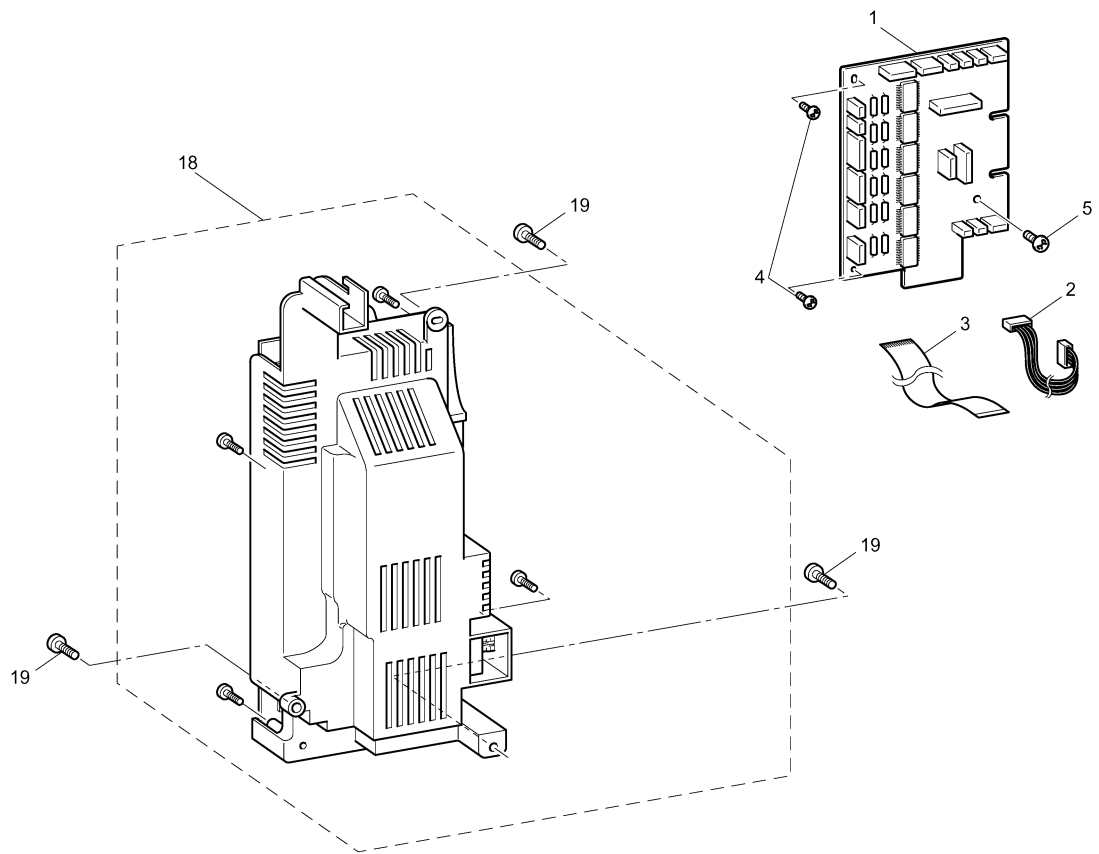
(5) THREAD GUIDE MECHANISM

No.	CODE	NAME	REMARKS	No.	CODE	NAME	REMARKS
1	XC2624351	THREAD GUARD ASSEMBLY		45	XC4407021	MOTOR, PULSE: AT SMJ35-4840-D	
2	XA0083121	TENSION DISC A	1000006407	46	XC4484051	INITIAL ADJUSTING PLATE	
3	XC2626121	TENSION DISC B	1000006407	47	XC3253051	RUBBER	
4	XC3437051	TENSION ADJUSTING SCREW		48	X53169020	BAND	060149
5	XA1388021	TENSION DISC WASHER	060149	49	XE1372001	SPOOL PRESSER C	060144
6	XC2627051	TENSION RELEASE PLATE ASSY		50	XA9787051	SPRING	
7	XA9900051	THREAD TENSION SPRING		51	085411015	TAPTITE, BIND B M4 × 10	
8	XD0573021	WASHER	060149	52	XD0384151	THREAD GUIDE COVER	
9	XA9562051	TENSION PLATE ASSY		53	XD0386051	FRONT THREAD GUARD COVER	
10	XZ0171051	THREAD TENSION CAM		54	060300416	SCREW, BIND M3 × 4	
11	048030346	RETAINING RING, E3	1000001452	55	XC7564051	SCREW, PAN (S/P WASHER) M3X6	
12	XZ0170051	THREAD TENSION GEAR COVER		56	XD0389051	THREAD GUIDE COVER	
13	X56323021	SPRING	060149	57	XC9745151	THREAD GUIDE	
14	XA9935050	SPRING TAPE		58	X59629021	TAPTITE, BIND B M3X10	060149
15	XC2635151	TENSION RELEASE HOLDER ASSY					
16	XA9571051	TENSION RELEASER LINK					
17	048030346	RETAINING RING, E3	1000001452				
18	XC2638151	TENSION PRESSURE ASSY					
19	XA9575051	TENSION PLATE					
20	XA9576051	SPACER					
21	XA9577051	SPRING					
22	XC2640051	TENSION RELEASE CAM					
23	012300432	SET SCREW, SOCKET (FT) M3 × 4					
24	X57363051	POWER LOCK 2 × 3					
25	X57605051	SPRING					
26	048020346	RETAINING RING, E2	1000001452				
27	XC2644051	PLATE ASSEMBLY					
28	XC9740051	THREAD GUIDE SHUTTER					
29	XC2749051	THREAD GUIDE					
30	XC6957121	THREAD TAKE UP SPRING	1000005353				
31	XE5731001	THREAD CUTTING SHUTTER	1000010311				
32	XD0377151	THREAD CATCHING SPRING CASE FE	1000003352				
33	XD0379051	THREAD SENSOR HOLDER FE					
34	XD0380051	UPTHREAD PCB ASSY FCOM					
35	0A4302006	SCREW PAN (S/P WASHER) M3X20					
36	XC2649050	THREAD GUIDE SHUTTER LINK					
37	048030346	RETAINING RING, E3	1000001452				
38	XC2650051	SPRING					
39	XD0383050	THREAD GUIDE WIRE FE					
40	XA9996051	WASHER, PLAIN					
41	XC7564051	SCREW, PAN (S/P WASHER) M3X6					
42	060300416	SCREW, BIND M3 × 4					
43	XC2641051	PRESSER SWITCH HOLDER					
44	XC2642051	SW ASSY: PF-F					



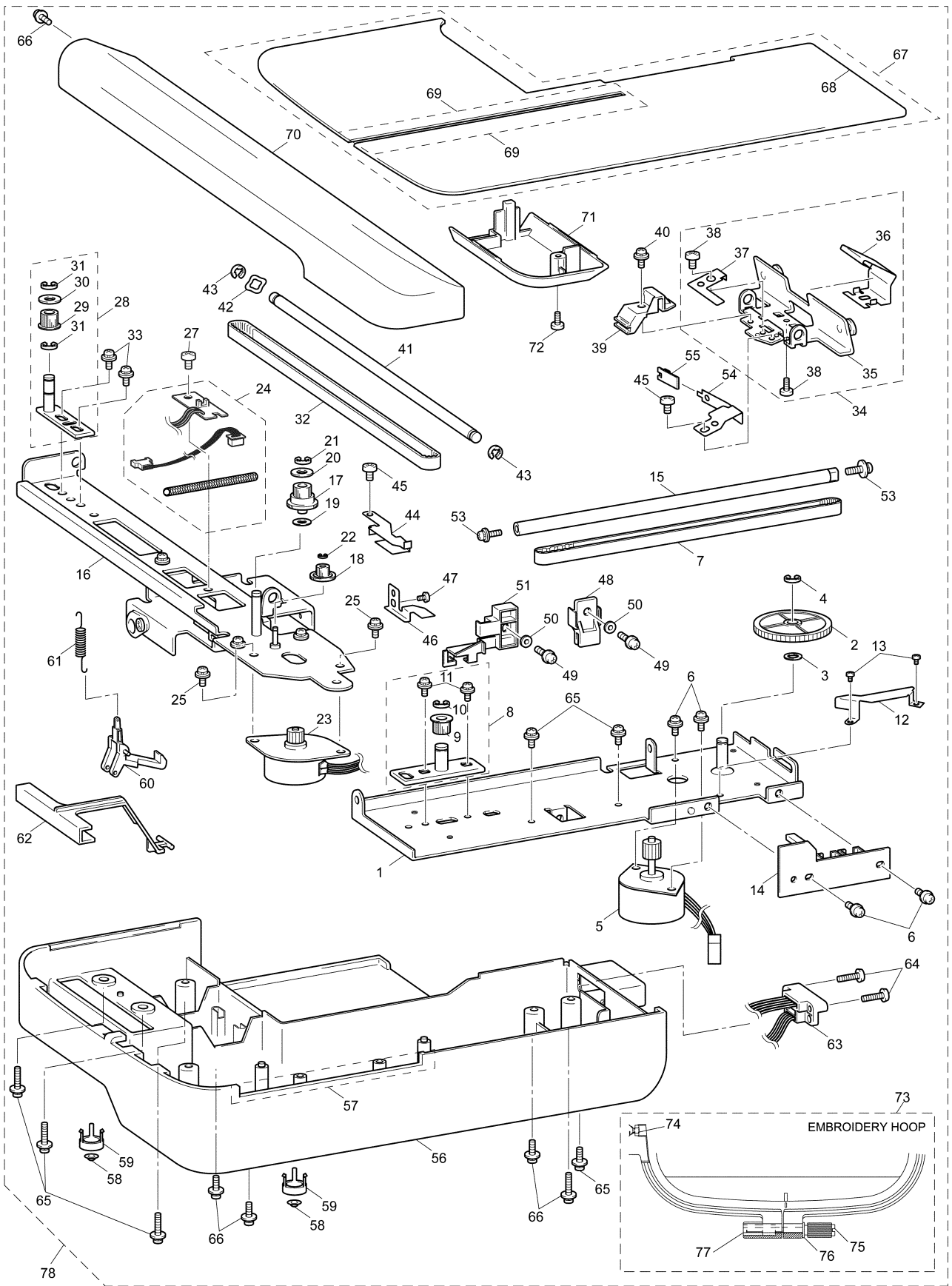
(6) ELECTRONIC PARTS / MOTOR UNIT

No.	CODE	NAME	REMARKS
ELECTRONIC PARTS			
1	XD1977151	MOTOR PCB SUPPLY ASSY	1000013972
2	XD0394051	LEAD WIRE ASSY POWER	
3	XD0395051	FFC: UL2896SFBNCD-P0.5-L1-50	
4	136681021	TAPTITE, BIND B M3 × 8	060119
5	060400816	SCREW, BIND M4 × 8	
6	XA0286021	WIRE CLIP	060119
7	X57908021	TAPTITE, BIND S M4 × 10	060119
8	X53169020	BAND	060119
MOTOR UNIT			
9	XC2685051	T BELT494-2GT-6	
10	XC2687051	ASSY: MAIN MOTOR-F (OTHER)	
	XE0101001	MAIN MOTOR FV ASSY (PE700-2, PE750D with USB: U.S.A., BRA, CAN)	1000009696
11	XC2690051	MOTOR HOLDER	
12	XA9649050	FENDER RUBBER	
13	XA9650051	MOTOR SPACER PRESSER	
14	XC3027051	SPACER 4 × 6	
15	XC7568051	SCREW, PAN (S/P WASHER) M4 × 14	
16	XA8474021	UPSET 4 × 12 DB	060117
17	XA9652150	MOTOR FAN	
POWER SUPPLY UNIT			
18	XD1627151	POWER SUPPLY UNIT F120EM (U.S.A., BRA, CAN)	1000009696
	XD1638151	POWER SUPPLY UNIT F230EM (OTHER)	1000000807
19	XC7568051	SCREW, PAN (S/P WASHER) M4X14	
20	XC6052021	POWER SUPPLY CORD: UL CSA-LF (U.S.A., CAN)	1000009696
	XD0111151	POWER SUPPLY CORD: IRAM (ARG)	1000008314
	XA0070121	POWER SUPPLY CORD (CHI, GER, FRA, ITA, RUS, SIN, SPA, SWI, EEU, NEU)	060116
	X59354121	POWER SUPPLY CORD -BS (U.K., IRE)	060116
	XC9548021	POWER SUPPLY CORD: SAA-LF (AUS)	1000003955
	XE3210001	POWER SUPPLY CORD: BRZ (BRA)	1000004348
	XA5820021	MAIN POWER CODE (CHN)	1000007568



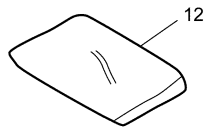
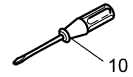
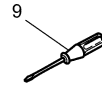
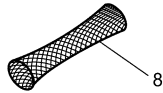
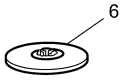
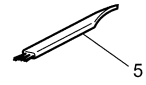
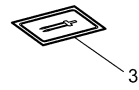
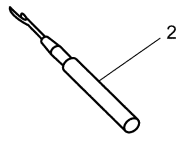
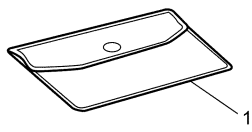
(7) EMBROIDERY UNIT

No.	CODE	NAME	REMARKS	No.	CODE	NAME	REMARKS
1	XD0413051	MAIN FRAME SUB ASSY		45	060300416	SCREW BIND M3X4	
2	XD1350050	X DRIVING GEAR PULLEY		46	XD0447050	X INITIAL SHUTTER	
3	XE2199001	WASHER SPRING	1000001046	47	060400616	SCREW BIND M4X6	
4	048040346	RETAINING RING E4	1000001452	48	XA2144350	X BELT PRESSER	
5	XD0415151	X PULSE MOTOR SMJ40-4888-B		49	XC7567051	SCREW, PAN (S/P WASHER) M4X12	
6	XA8390021	SCREW, PAN (S/P WASHER) M3X7	060149	50	027040226	WASHER EX TOOTH 4	1000000560
7	XA2123051	TIMING BELT 62S2M494		51	XD0448150	X SLIDER	
8	XD0418051	X TENSION PULLEY ASSY		52	XD1814051	NYLON-SLEEVE	1000013932
9	XA2127050	TENSION PULLEY		53	XC7566051	SCREW, PAN (S/P WASHER) M4X8	
10	048040346	RETAINING RING E4	1000001452	54	XD0768051	Y GUIDE SHAFT PRESSER PLATE	
11	XC7566051	SCREW, PAN (S/P WASHER) M4X8		55	XD0769050	Y GUIDE SHAFT PRESSER	
12	XD0421050	OIL GUARD PLATE		56	XD0452051	ES BASE COVER	
13	060300416	SCREW BIND M3X4		57	XD0453051	GROOVE COVER	
14	XD0422051	EMB RELAY PCB ASSY		58	X59853020	RUBBER CUSHION	060149
15	XA2128051	X GUIDE SHAFT		59	XC8094051	RUBBER CUSHION COVER	
16	XD0426151	X CARRIAGE ASSY		60	XD0454051	LOCK FINGER	
17	XD1351050	Y DRIVING GEAR PULLEY		61	XC8096051	SPRING	
18	XD1161050	IDLE GEAR		62	XD0455051	LOCK RELEASE LEVER	
19	XE2199001	WASHER SPRING	1000001046	63	XD0456051	LEAD WIRE ASSY EMB UNIT FCOMB	
20	025060235	WASHER PLAIN M 6		64	085301615	TAPTITE BIND P M3X16	
21	048040346	RETAINING RING E4	1000001452	65	087411416	TAPTITE CUP B M4X14	
22	048030346	RETAINING RING E3	1000001452	66	XC7566051	SCREW, PAN (S/P WASHER) M4X8	
23	XD0432151	Y PULSE MOTOR SMJ35-4823-F		67	XD0457051	ES MAIN COVER ASSY	
24	XE3234001	LEAD WIRE SUPPLY ASSY: SLEEVE	1000004535	68	XD0458051	ES MAIN COVER	
25	XA8390021	SCREW, PAN (S/P WASHER) M3X7	060149	69	XD0453051	GROOVE COVER	
26	XD0436051	Y SENSOR PCB ASSY	1000013932	70	XD0461051	X CARRIAGE COVER	
27	060300416	SCREW BIND M3X4		71	XD0463051	YPM COVER	
28	XD0438051	Y TENSION PULLEY ASSY		72	085301017	TAPTITE BIND P M3X10	
29	XA2127050	TENSION PULLEY		73	XE4586001	EF26 985 EMBROIDERY FRAME LARG	1000010621
30	025060235	WASHER PLAIN M 6		74	021300106	NUT 1 M3	
31	048040346	RETAINING RING E4	1000001452	75	XE4590001	THUMB SCREW	1000012264
32	XC8041051	TIMING BELT 40S2M530		76	X59422001	WASHER	
33	XC7566051	SCREW, PAN (S/P WASHER) M4X8		77	XA6982001	NUT	
34	XD0441151	Y CARRIAGE ASSY	1000017347				
35	XD0442051	Y CARRIAGE PLATE SUB ASSY			X61231021	BAG 400X500H	1000013217
36	XD0444151	HOOP FIXED SPRING	1000017347		XC2208001	BAG 240X330H	1000012991
37	XD0445050	Y INITIAL SHUTTER		78	XD1978051	EMBROIDERY PACKING ASSY	
38	060300416	SCREW BIND M3X4				(for WEEE)	
39	XA4710250	Y SLIDER			XE0095001	EMBROIDERY PACKING ASSY	
40	XA8390021	SCREW, PAN (S/P WASHER) M3X7	060149				
41	XA2139051	Y GUIDE SHAFT					
42	103810022	WASHER, WAVE SPRING	060149				
43	048040346	RETAINING RING E4	1000001452				
44	XE0391001	CODE GUIDE ASSY	060053				

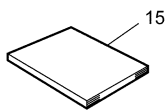
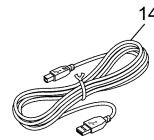
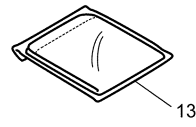


(8) ATTACHMENTS / PRINTED MATTER / PACKING MATERIALS

No.	CODE	NAME	REMARKS	No.	CODE	NAME	REMARKS
ATTACHMENTS				19	XD1641051	LANGUAGE SETTING SHEET (GER, U.K., FRA, ITA, RUS, SPA, IRE, SWI, EEU, NEU)	
1	XC4487021	ACCESSORY BAG	060100	20	XD0256121	INSERTION WEEE (GER, U.K., FRA, ITA, SPA, IRE, SWI, EEU, NEU)	1000002031
2	X54243051	SEAM RIPPER		21	XE1920101	USB GUIDE (PE700-2, NV700E-2, NV750D, PE750D with USB) (EXCEPT: NV700E-2: CHN)	1000003955
3	X59535051	NEEDLE SET			XE4535001	USB GUIDE BR (BRA)	1000007560
4	X52800120	BOBBIN	060100		XE4601001	USB GUIDE (NV700E-2: CHN)	1000007568
5	X59476021	CLEANING BRUSH	060100	22	XE2572001	INSERTION (NV750D, PE750D with USB)	1000003955
6	130012054	SPOOL PRESSER A			XE3484001	INSERTION (PE700: U.S.A., ARG, CHI, PE750D, NV700E: U.K., FRA, SPA, AUS, SIN NV700E-2: U.K., FRA, SPA, IRE, SWI, SIN)	1000014613
7	130013154	SPOOL PRESSER B			XE3486001	INSERTION (NV700E, NV700E-2: GER, FRA, ITA, RUS, SWI, EEU, NEU)	1000014613
8	XA5523020	NET	060100	23	XE5012101	INSTRUCTION CD BG (EEU)	1000014613
9	X55468051	SCREW DRIVER S		24	XC5301001	INSERTION SHEET FOR USB (U.S.A.)	1000009263
10	XC8349021	SCREW DRIVER	060100		XE5503001	INSERTION SHEET FOR USB (CAN)	1000009610
11	XC1807121	SCISSORS		25	XE5611001	REGISTRATION CARD ITA (ITA)	1000017863
12	XA2214021	BAG, 150X200	060237	PACKING MATERIALS			
13	XZ5004021	DUST COVER ASSY		26	XD1630350	STYROFORM TOP	1000015290
14	XD0745051	USB I/F CORE CABLE (PE700-2, NV700E-2, NV750D, PE750D with USB)	1000003955	27	XD1631050	STYROFORM BOTTOM	
PRINTED MATTER				28	X60439121	BAG 630X630T	1000013217
15	XD1628121	INSTRUCTION BOOK ENG (U.S.A., CAN, U.K., SIN, AUS, IRE, EEU, NEU, UAE, IRE)	1000014613	29	XE0681001	MASTER CARTON (PE700)	060077
	XD1668121	INSTRUCTION BOOK SPA (U.S.A., ARG, CHI, SPA)	1000014613		XE1697001	MASTER CARTON (PE750D)	ADD
	XD1639121	INSTRUCTION BOOK GER (GER, SWI, EEU)	1000014613		XE1967101	MASTER CARTON (PE700-2)	1000001596
	XD1913121	INSTRUCTION BOOK FRE (CAN, FRA, SWI, BEL, NLD)	1000014613		XE1954001	MASTER CARTON (NV700E-2) (EXCEPT: CHN)	ADD
	XD1914121	INSTRUCTION BOOK DUT (FRA, BEL, NLD)	1000014613		XE2014001	MASTER CARTON RUS (NV700E-2: RUS)	ADD
	XD1915121	INSTRUCTION BOOK ITA (ITA, SWI)	1000014613		XE0683201	MASTER CARTON (NV700E: OTHER)	1000004572
	XE0504101	INSTRUCTION BOOK RUS (RUS)	1000014613		XE3489001	MASTER CARTON (NV700E: RUS)	1000004572
	XE1696001	INSTRUCTION BOOK (PE750D)	ADD		XE2388001	MASTER CARTON (PE750D with USB)	1000001596
	XE4534101	INSTRUCTION BOOK BR (BRA)	1000015086		XE3390001	MASTER CARTON (NV750D)	1000003955
	XE4599001	INSTRUCTION BOOK CHN (CHN)	1000007568		XE4603001	MASTER CARTON (NV700E-2: CHN)	1000007568
16	XC8946021	WARRANTY CARD C (U.S.A.)					
	LA1661001	WARRANTY CARD EURO-CH (GER, U.K., FRA, ITA, IRE, SWI, EEU, NEU, BEL, NLD)	1000017863				
	XC6402021	WARRANTY CARD UK (U.K.)	1000017863				
	XE5609101	WARRANTY CARD 5YEARS ITA (ITA)	1000017863				
	XE4547001	WARRANTY CARD BR HEM (BRA)	1000007560				
	XE2010001	WARRANTY CARD BROTHER CANADA	1000009696				
	XE5572001	WARRANTY CARD BROTHER RUS (RUS)	1000017863				
	XE5652001	WARRANTY CARD BROTHER ARG (ARG)	1000011223				
	XD1328221	WARRANTY CARD CHINA (CHN)	1000012599				
	LW313500	GEE WARRANTY CARD (EEU)	1000016851				
	XE2895001	OPTIONAL 5YEAR WARRANTY CARD (U.K.)	1000008110				
17	XD1629021	QUICK REFERENCE GUIDE	060051				
	XE5019001	QUICK REFERENCE GUIDE BG (EEU)	1000008619				
18	130800021	BAG, 230X310H	1000011228				



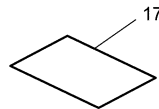
(for ACCESSORY)



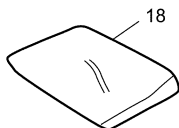
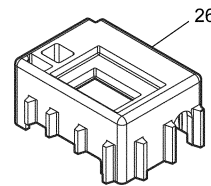
(INSTRUCTION BOOK)



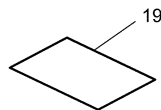
(WARRANTY CARD)



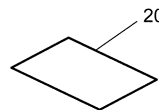
(QUICK REFERENCE GUIDE)



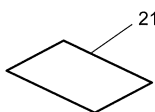
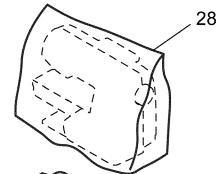
(for PRINTED MATTER)



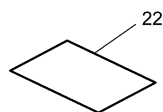
(LANGUAGE SETTING SHEET)



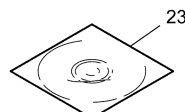
(INSERTION WEEE)



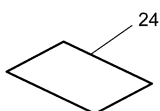
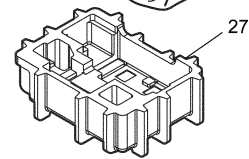
(USB GUIDE)



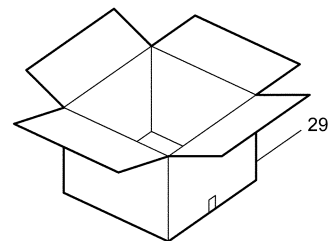
(INSERTION)



(INSTRUCTION CD)

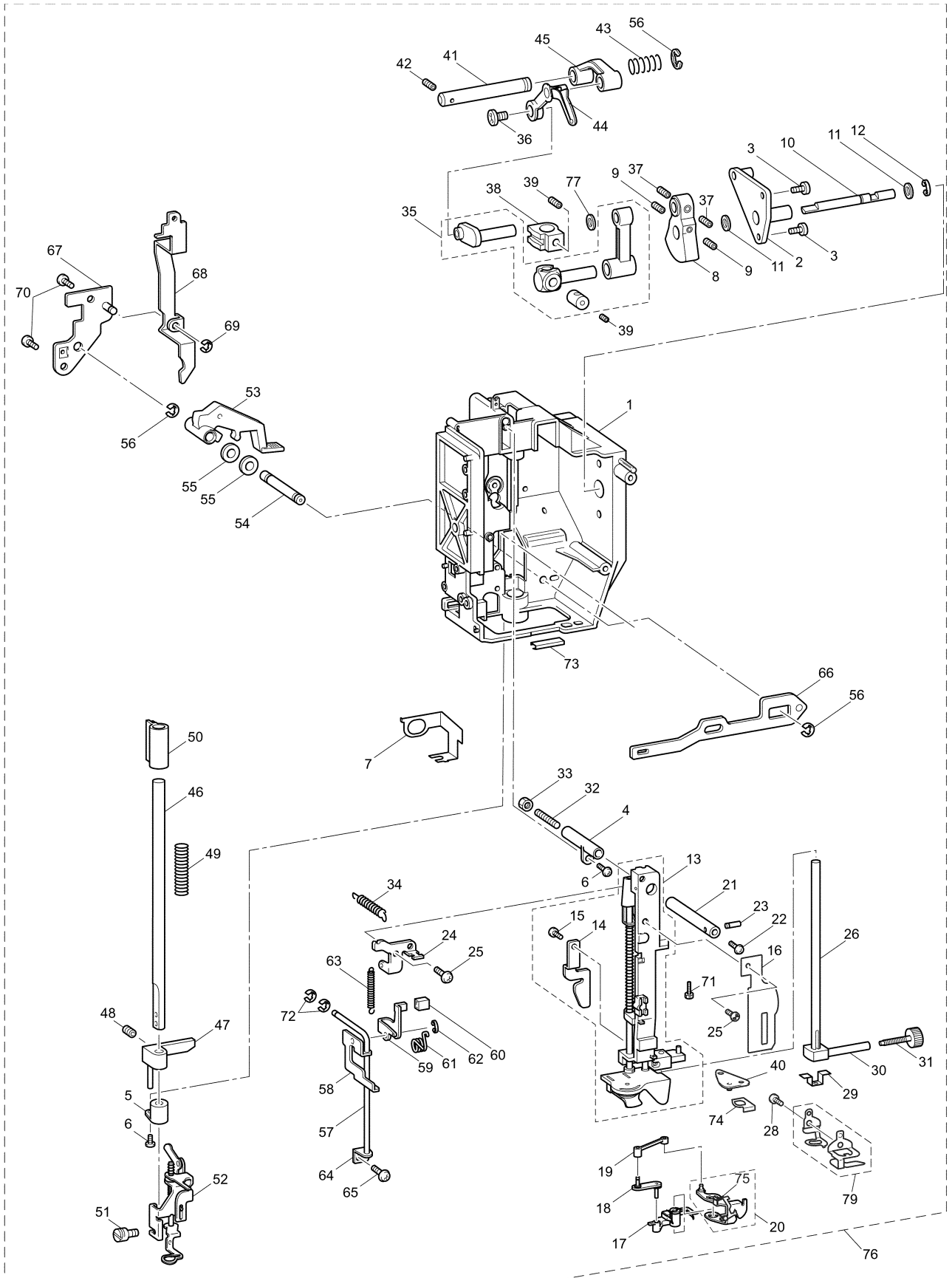


(INSERTION SHEET FOR USB)



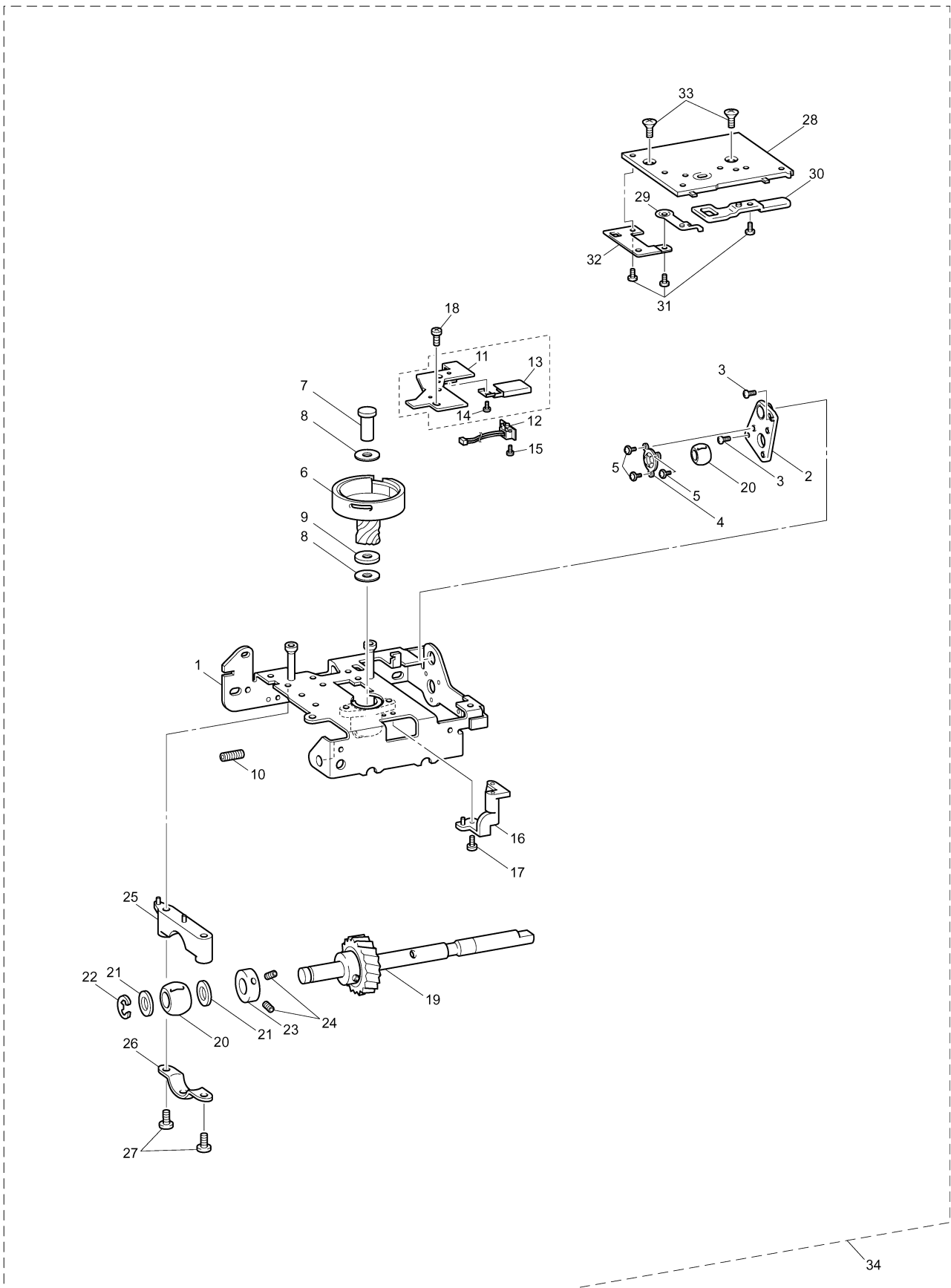
NEEDLE-PRESSER MODULE

No.	CODE	NAME	REMARKS	No.	CODE	NAME	REMARKS
1	XE0017101	UPPER UNIT HOLDER	1000007181	45	XC2443020	THREAD TAKE-UP LEVER LINK	
2	XC2395221	SHAFT BUSHING ASSEMBLY	1000014050	46	XC2444021	PRESSER BAR	
3	0A5401405	SCREW, PAN (S/P WASHER) M4 x 14		47	XC2445021	PRESSER BAR CLAMP ASSY	
4	XC2398020	SHAFT BUSHING A		48	014501032	SET SCREW, SOCKET (CP) M5 x 10	
5	XC2399021	PRESSER BAR BUSHING		49	XC2448021	SPRING	
6	085310815	TAPTITE, BIND B M3 x 8		50	XC2449021	PRESSER SPRING SUPPORTER	
7	XC5362020	PLATE SPRING		51	132730122	TIGHTENING SCREW 3.57	1000003761
8	XC2400021	THREAD TAKE-UP COUNTER WEIGHT		52	XD0474151	EMBROIDERY PRESSER ASSEMBLY	1000008446
9	012500532	SET SCREW, SOCKET (FT) M5 x 5		53	XC9725051	PRESSER FOOT LIFTER	
10	XC2401021	UNIT SHAFT		54	XC2452021	PRESSER LIFT SHAFT	
11	132434020	WASHER		55	XA1860120	WASHER	
12	048060346	RETAINING RING, E6	1000001452	56	048040346	RETAINING RING, E4	1000001452
13	XC9716251	NEEDLE BAR SUPPORTER ASSY		57	XC2453021	LEVER GUIDE SHAFT	
14	XC9908150	HOOK RELEASE PLATE		58	XC2455021	LEVER A ASSY	
15	060260516	SCREW, BIND M2.6 x 5		59	XC2458021	LEVER B	
16	XZ0417050	GUARD PLATE		60	XC2459020	CAP	
17	XD1550251	THREADER HOOK ASSY	1000017223	61	XC2460021	TORSION SPRING	
18	XD1546051	LINK A ASSY		62	048030343	RETAINING RING, E3	1000001452
19	XD1548151	LINK B	1000009134	63	XC2461021	SPRING	
20	XC9613121	THREAD GUIDE ASSY	1000011660	64	XC2462021	LEVER PRESSER PLATE	
21	XC2419021	SHAFT		65	138433021	TAPTITE, PAN B M3 x 6	
22	000020416	SCREW BIND M2X4	1000016096	66	XC2491121	THREAD RELEASER ASSY	1000013556
23	XC2420020	SHAFT		67	XC2498021	ADJUSTING PLATE ASSY	
24	XC2421121	PLATE		68	XC2501121	TENSION RELEASER C	
25	060300516	SCREW, BIND M3 x 5		69	048030346	RETAINING RING, E3	1000001452
26	XC2423021	NEEDLE BAR	060152	70	XC3588021	GIZA TITE 4X12	
27	XE0014104	NEEDLE BAR THREAD GUIDE Q	1000016793	71	XC3037021	SCREW3 x 10	
28	X53053052	SCREW SM2.38		72	048020346	RETAINING RING, E2	1000001452
29	XC2426020	NEEDLE THREAD PLATE		73	XC3034020	THREAD GUIDE PLATE	
30	XC2427051	NEEDLE BLOCK		74	XD1916050	UPPER UNIT SUPPORT PLATE	
31	XZ0388251	NEEDLE CLAMP SCREW	1000010409	75	XC9616051	SPRING	ADD
32	014401232	SET SCREW, SOCKET (FT) M4 x 12		76	XD1974351	NEEDLE SUPPLY UNIT ASSY U30	1000013556
33	X56851021	LOCK NUT		77	X53330020	WASHER	1000003843
34	XC2429021	SPRING		78	XE0012104	NEEDLE THREAD GUIDE SPRING	1000016793
35	XE2589001	NEEDLE BAR CRANK ROD ASSY	1000001910	79	XE7727001	N/B THREAD GUIDE SUPPLY ASSY	1000016793
36	132051022	SCREW, FLAT SM3.57-40 x 7 L					
37	012500532	SET SCREW, SOCKET (FT) M5 x 5					
38	XC2434021	NEEDLE THREAD BLOCK					
39	012400432	SET SCREW, SOCKET (FT) M4 x 4					
40	XD1612051	NEEDLE HOLDER GUIDE ASSY					
41	XC2440021	SHAFT					
42	014300532	SET SCREW, SOCKET (CP) M3 x 5					
43	XC2441021	SPRING					
44	XC6239151	THREAD TAKE-UP LEVER ASSY					



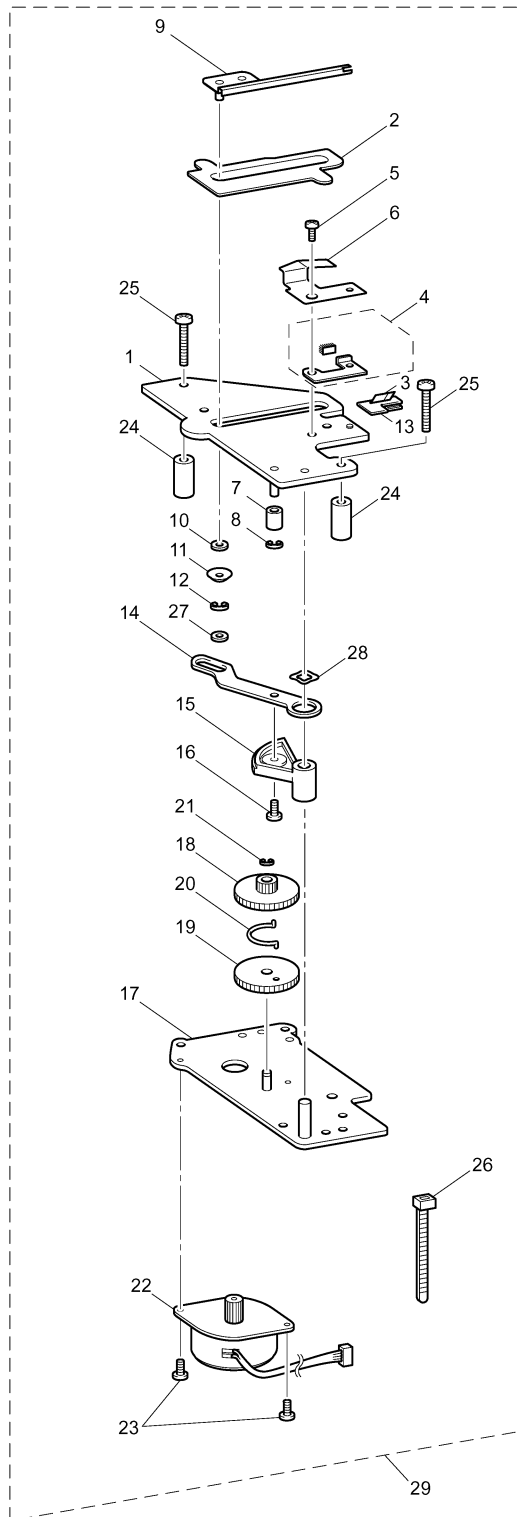
FEED MODULE

No.	CODE	NAME	REMARKS
1	XC7638121	BASE PLATE	060148
2	XC2540021	BUSHING SUPPORTER B	
3	060400616	SCREW, BIND M4 × 6	
4	XC2542021	BUSHING PRESSER B	
5	060300516	SCREW, BIND M3 × 5	
6	XC2210021	OUTER ROTARY HOOK ASSY	060148
7	XD1943021	OUTER ROTARY HOOK SHAFT	060148
8	137805022	SPACER	060148
9	137976021	WASHER 6	060148
10	014400632	SET SCREW, SOCKET (CP) M4 × 6	
11	XC8406351	INNER ROTARY HOOK BRACKET ASSY	1000017150
12	XC8350021	PHOTO DIODE HOLDER ASSY	
13	XC7866351	CORD HOLDER	1000012334
14	060260316	SCREW BIND M2.6X3	
15	000020416	SCREW BIND M2X4	1000016096
16	XC2559221	STOPPER PLATE BLOCK ASSY	1000015861
17	060400516	SCREW, BIND M4 × 5	
18	060300816	SCREW, BIND M3 × 8	
19	XD1619021	LOWER SHAFT B ASSY	
20	X52664020	LOWER SHAFT BUSHING	060148
21	X51383020	WASHER, THRUST	060148
22	048060346	RETAINING RING, E6	1000001452
23	137768121	SET SCREW COLLAR	060148
24	014400432	SET SCREW, SOCKET (CP) M4 × 4	
25	XC2566021	BUSHING SUPPORTER A	
26	XC2567021	BUSHING PRESSER A	
27	060401616	SCREW, BIND M4 × 16	
28	XD1622051	NEEDLE PLATE A	
29	XC9728051	STOPPER PLATE	
30	XD1623151	F GEAR STOPPER PLATE	060122
31	060260316	SCREW, BIND M2.6 × 3	
32	XE1488001	NEEDLE PLATE B SUPPORT PLATE	060162
33	X50487021	SCREW M4	1000010447
34	XD1975051	FEED SUPPLY UNIT ASSY U30	



THREAD CUTTER MODULE

No.	CODE	NAME	REMARKS
1	XC9733051	THREAD CUTTER FRAME ASSY	
2	XC9735050	SPACER	
3	X80321021	NT LOWER THREAD CUTTER	
4	XE4994001	PRESSER PLATE ASSY	1000008247
5	060300516	SCREW, BIND M3 × 5	1000010059
6	XC2598120	SPRING PLATE	
7	XC2587020	RUBBER	
8	048030346	RETAINING RING, E3	1000001452
9	XC2583121	THREAD HOOK ASSY	
10	137713020	POLYESTER SLIDER	
11	X56731020	WASHER	
12	048040346	RETAINING RING, E4	1000001452
13	XC9736050	CUTTER HOLDER	
14	XC2581221	THREAD CUTTER LEVER	060151
15	XC2582020	THREAD CUTTER LEVER GEAR	
16	0A4300605	SCREW, PAN (S/P WASHER) M3 × 6	
17	XC2588221	MOTOR HOLDER ASSY	1000003541
18	XC2592020	IDLE GEAR A	
19	XC2593020	IDLE GEAR B	
20	X56323021	SPRING	
21	048020346	RETAINING RING, E2	1000001452
22	XC2331121	MOTOR PULSE: C SMJ35-4840-B	
23	060300416	SCREW, BIND M3 × 4	
24	XC2594121	COLLAR	1000010397
25	060402016	SCREW, BIND M4 × 20	
26	X53169020	BAND	
27	137713020	POLYESTER SLIDER	
28	XC8407020	WAVE-SHAPE SPRING WASHER	
29	XD0075252	THREAD CUTTER SUPPLY ASSY	1000003541



brother®

PE700/PE700-2/PE750D/NV700E/NV700E-2/NV750D
07A06HF882U30/31/32

02. 2006.
03. 2010.