



Home Sewing Machine

PARTS REFERENCE LIST

MODEL: PS2250/PS2360/PS2470

PS3100/PS3700

PS53/PS55/PS57

RSR55/XRX55

STAR35/STAR45/STAR50/STAR60

STAR55/STAR65

STAR230E/STAR230EQC/STAR240E

BOUTIQUE17/27/37

CAMPUS200/XL6600

MECHANISMS & ELECTRONICS

CONTENTS

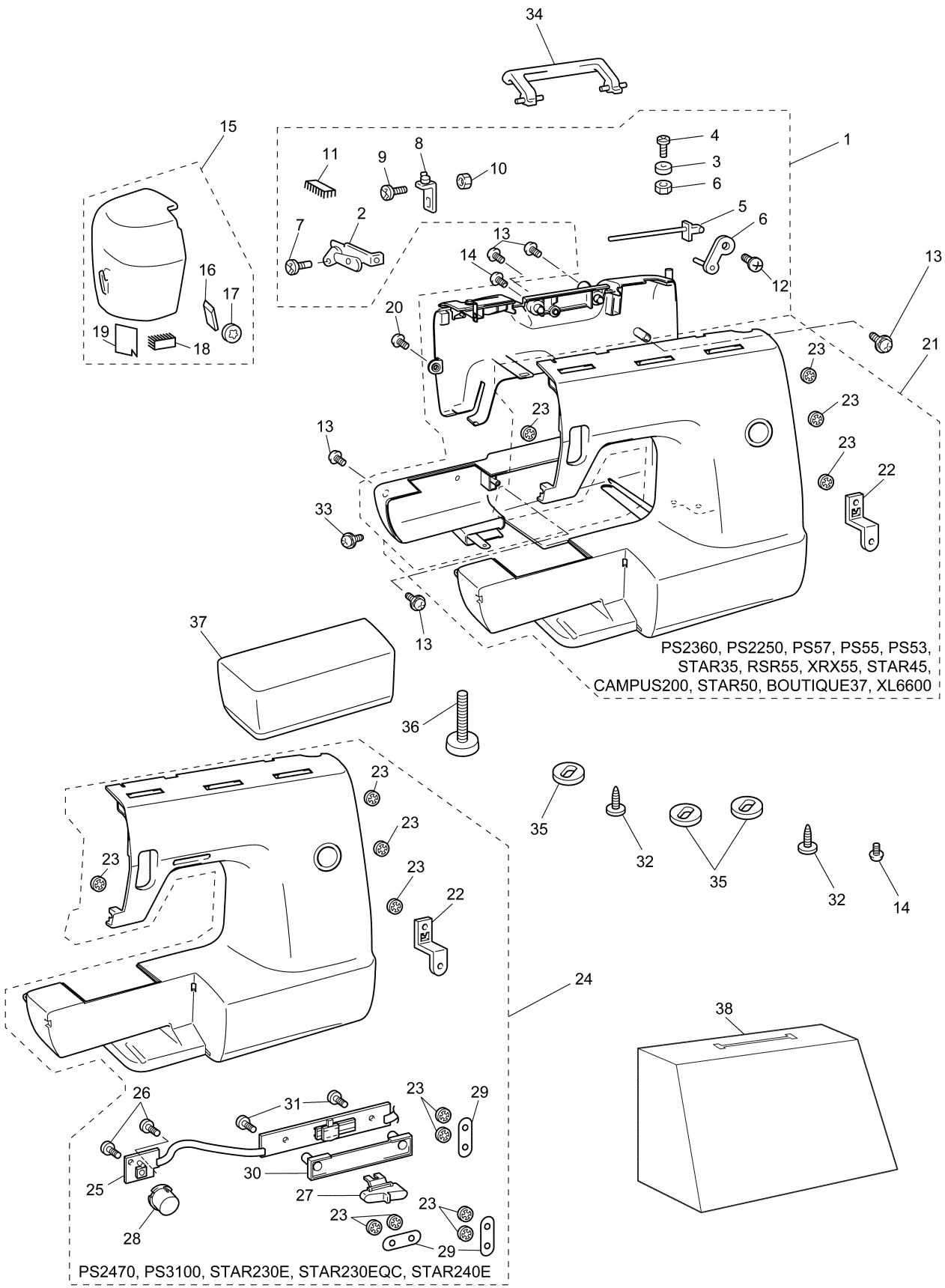
(1) PRINCIPAL PARTS	2
(2) UPPER SHAFT AND NEEDLE BAR	4
(3) FEED MECHANISM AND SHUTTLE HOOK.....	6
(4) ZIGZAG, BH MECHANISM AND PATTERN SELECTION.....	10
(5) THREAD GUARD MECHANISM, LAMP MECHANISM	12
(6) MOTOR UNIT.....	14
(7) ATTACHEMENTS.....	16

Note on parts:

We keep performance parts for this sewing machine for at least 8 years after this model is discontinued. Performance parts are the necessary parts to maintain the function of the sewing machine.

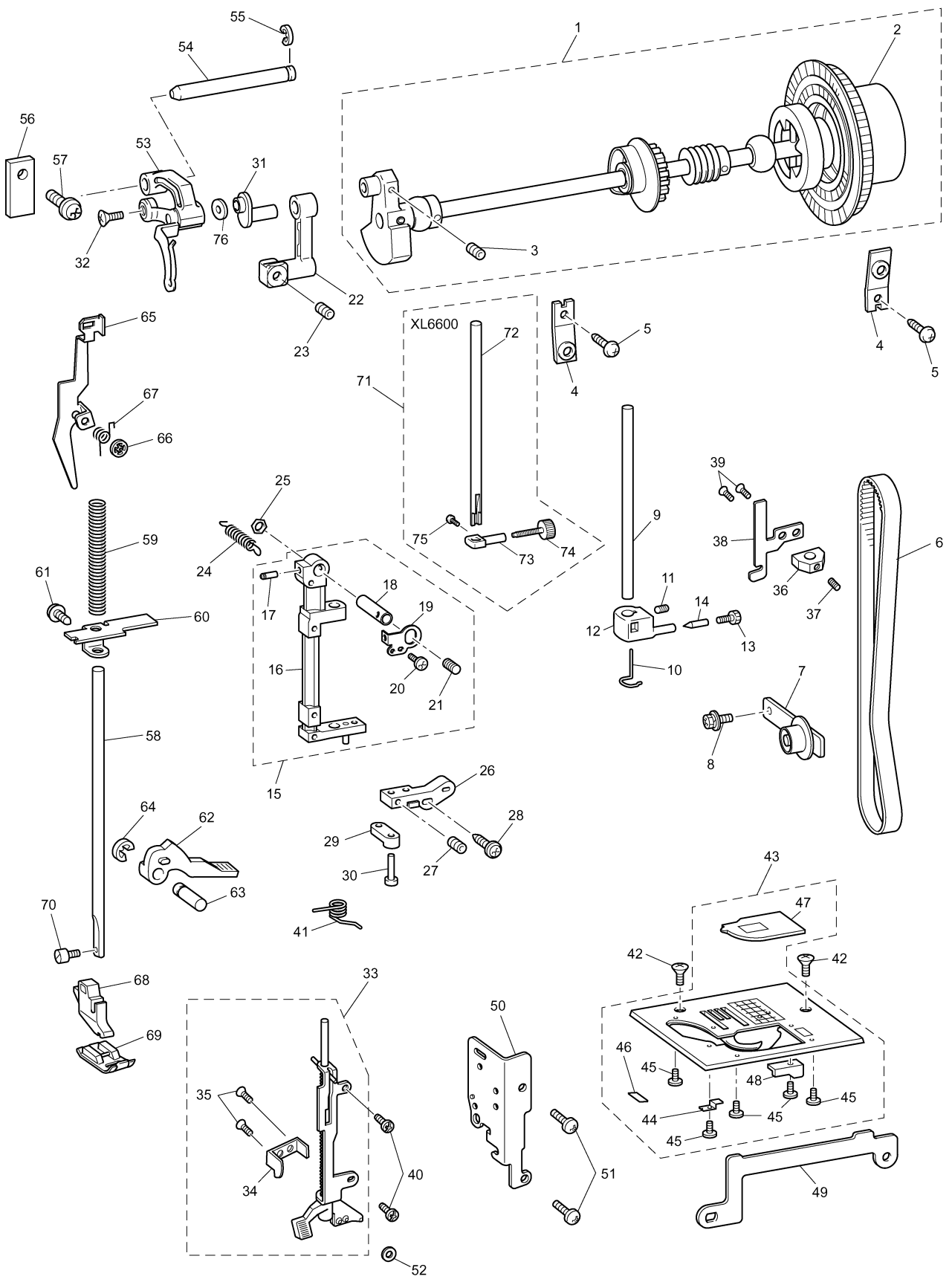
(1) PRINCIPAL PARTS

No.	CODE	NAME	REMARKS	No.	CODE	NAME	REMARKS
1	XC0844021	REAR COVER ASSEMBLY		22	XD1944022	FRONT COVER ASSEMBLY (STAR55)	ADD
	XC0783021	REAR COVER ASSEMBLY (STAR230E, 230EQC, 240E, PS2470, 3100)			XD1944023	FRONT COVER ASSEMBLY (STAR65)	ADD
2	X59862051	THREAD GUIDE ASSY			XD0203022	FRONT COVER ASSEMBLY (BOUTIQUE17)	1000005184
3	XC0751121	BOBBIN PRESSER		23	146200021	RETAINING RING, CS4 (STAR230E, STAR230EQC, STAR240E, PS2470, PS3100)	1000010003
4	0A4302006	SCREW PAN (S/P WASHER) M3X20		24	XC0637021	FRONT COVER ASSEMBLY (PS2470)	
5	X59053022	SPOOL PIN			XC0637022	FRONT COVER ASSEMBLY (PS3100)	
6	XA7273021	SPOOL PIN HOLDER ASSEMBLY			XC0996021	FRONT COVER ASSEMBLY (STAR230E)	
7	138433021	TAPTITE, PAN B M3X6			XC0996022	FRONT COVER ASSEMBLY (STAR230EQC)	
8	X59226121	BOBBIN WINDER GUIDE ASSY			XC0884021	FRONT COVER ASSEMBLY (STAR240E)	
9	X59642021	SCREW		25	XC0908121	PCB ASSY:SS-VR 6P (STAR240E, PS2470, PS3100)	
10	021300106	NUT 1 M3			XC0640121	PCB ASSY:SS-VR 4P (STAR230E, STAR230EQC)	
11	X52654001	PILE 19X5X6	1000014431	26	138433021	TAPTITE, PAN B M3X6	
12	136681021	TAPTITE, BIND B M3X8		27	XC0644021	SPEED KEY TOP	
13	XA3337022	TAPTITE CUP P M4X20		28	XC0645021	SS KEY TOP (STAR240E, PS2470, PS3100)	
14	060401216	SCREW, BIND M4X12			XC0645023	SS KEY TOP (STAR230E, STAR230EQC)	
15	X81363021	FACE PLATE ASSY		29	XA9196020	CORD PRESSER	
	XC0635021	FACE PLATE ASSEMBLY (STAR230E, STAR230EQC, STAR240E, PS2470, PS3100)		30	XC0648021	KEY TOP HOLDER	
16	X80321021	NT LOWER THREAD CUTTER		31	X59629021	TAPTITE, BIND B M3X10	
17	138384051	RETAINING RING, CS5		32	085411015	TAPTITE BIND B M4X10	
18	XA6661021	PILE		33	053400806	SCREW, PAN (T WASHER) M4X8	
19	XA4468021	REAR COVER REFLECTOR (PS2250, PS53, PS55, RSR55, XRX55, STAR45, CAMPUS200, STAR50, STAR60, PS57, BOUTIQUE17, 27, 37, PS3700, STAR55, STAR65)	060040	34	X59101122	CARRYING HANDLE	
	20	XC7568051	SCREW, PAN (S/P WASHER) M4X14	1000000866	35	XA7930021	BASE FOOT RUBBER
21	XC0848021	FRONT COVER ASSEMBLY (PS2250)		36	XA8611021	ADJUST SCREW ASSEMBLY	
	XC0956021	FRONT COVER ASSEMBLY (PS53)		37	XC0651121	ACCESSORY TABLE ASSEMBLY	
	XD0203021	FRONT COVER ASSEMBLY (STAR35)			XC0651122	ACCESSORY TABLE ASSEMBLY (STAR35, STAR45, BOUTIQUE17)	
	XC1003022	FRONT COVER ASSEMBLY (PS55)		38	X52769756	CASE ASSEMBLY (PS53, PS55, PS57 : KOR, AUS, NZL, RSR55, XRX55, CAMPUS200, STAR50, BOUTIQUE37, STAR230E, PS3100, STAR230EQC, PS2360, PS2470, PS3700, STAR60, STAR55, STAR65)	1000004089
	XC2260022	FRONT COVER ASSEMBLY (RSR55)			XD0271021	MODEL MARK	060017
	XC2260023	FRONT COVER ASSEMBLY (XRX55)					
	XD0211021	FRONT COVER ASSEMBLY (STAR45)					
	XC2260024	FRONT COVER ASSEMBLY (CAMPUS200)					
	XC2260021	FRONT COVER ASSEMBLY (STAR50)					
	XC1003021	FRONT COVER ASSEMBLY (PS57)					
	XC1003023	FRONT COVER ASSEMBLY (BOUTIQUE37)					
	XC0881021	FRONT COVER ASSEMBLY (PS2360)					
	XE0022001	FRONT COVER ASSEMBLY (XL6600)	ADD				
	XC1003024	FRONT COVER ASSEMBLY (PS3700)	ADD				
	XD1944021	FRONT COVER ASSEMBLY (STAR60)	ADD				
XC1003026	FRONT COVER ASSEMBLY (BOUTIQUE27)	ADD					



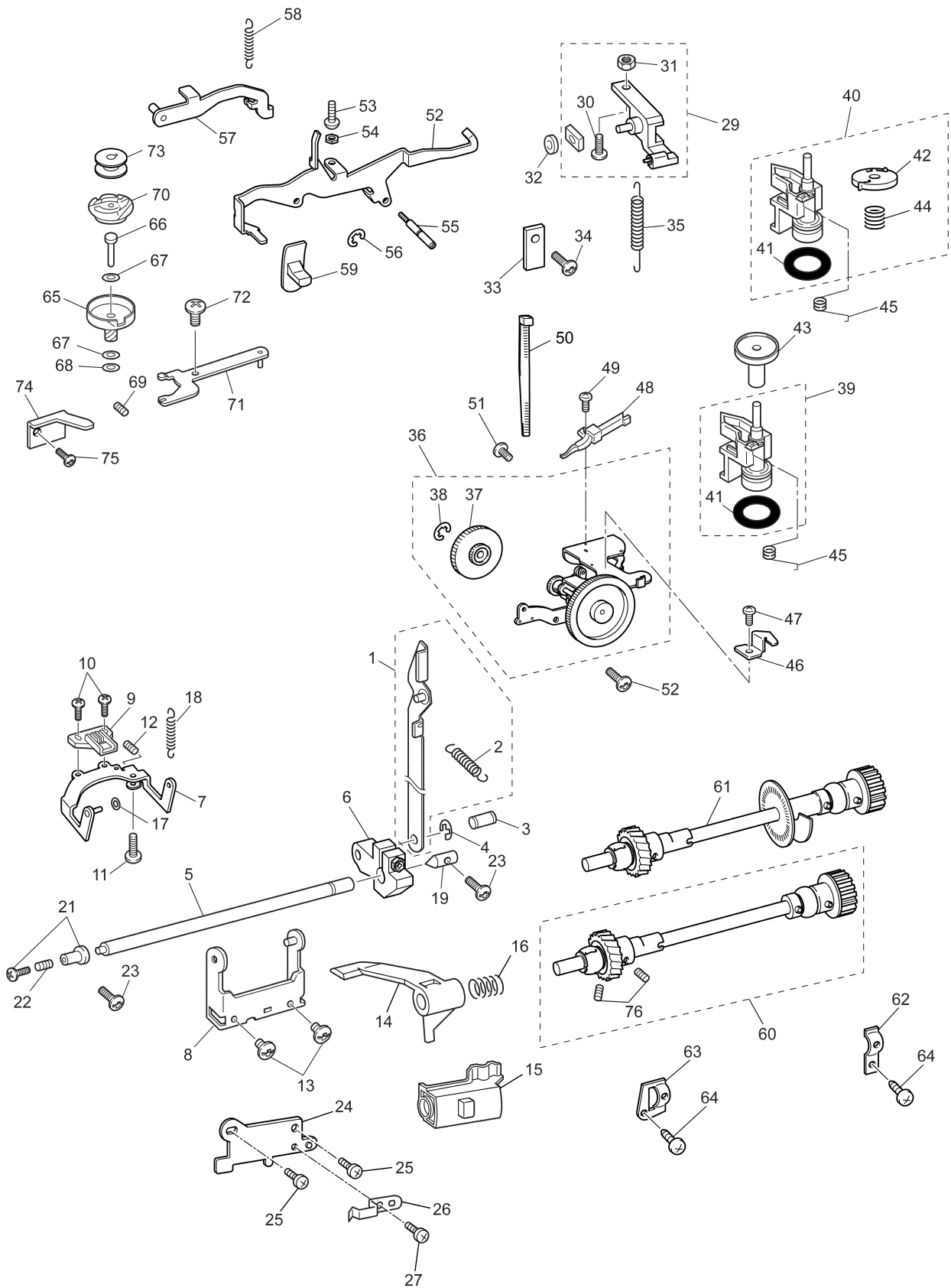
(2) UPPER SHAFT AND NEEDLE BAR

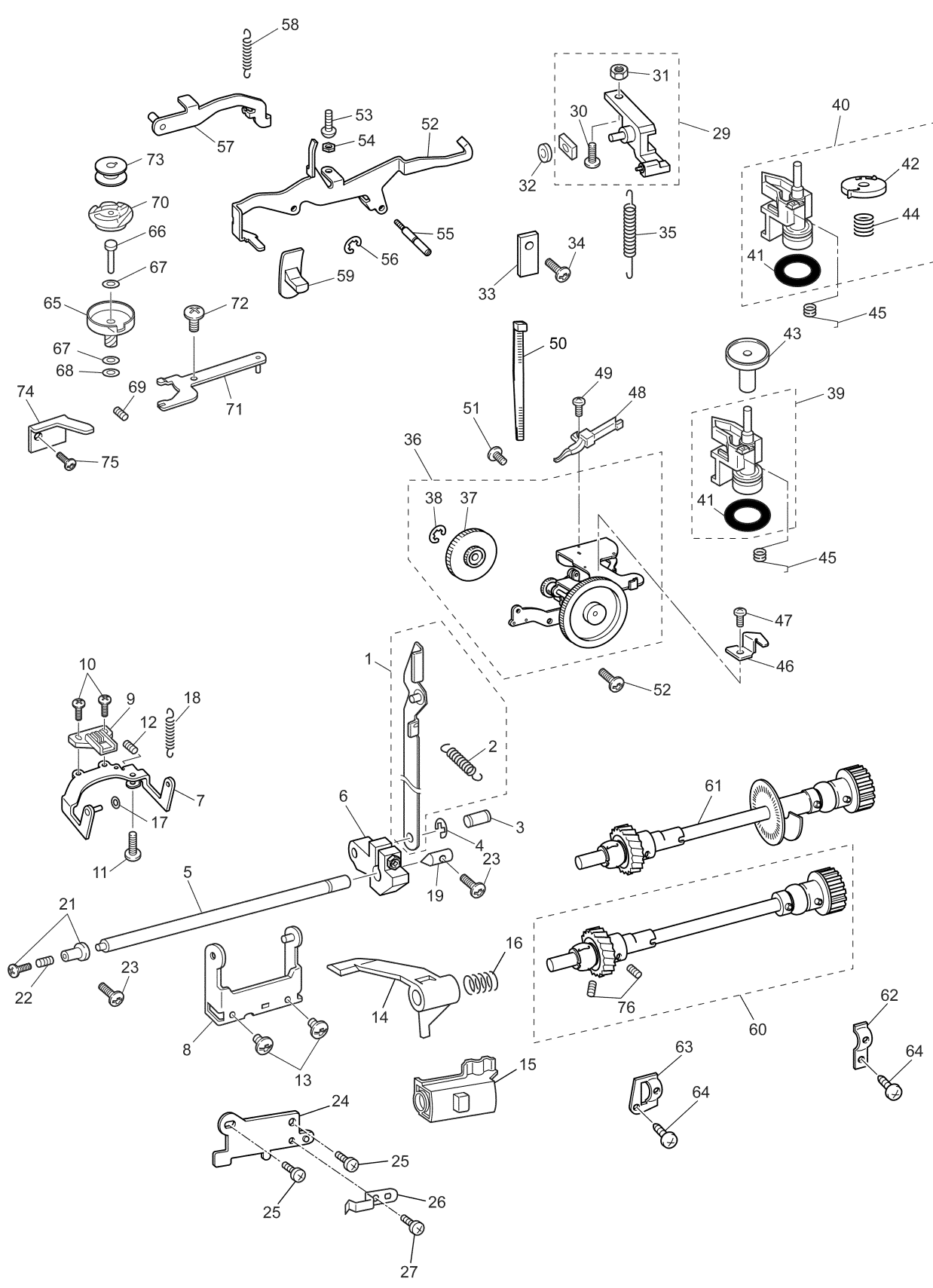
No.	CODE	NAME	REMARKS	No.	CODE	NAME	REMARKS
1	XE3699001	UPPER SHAFT SUPPLY ASSY	1000006160	39	004260405	SCREW FLAT M2.6X4 (Except PS2250)	
2	X57370022	PULLEY		40	060400616	SCREW BIND M4X6 (Except PS2250)	
3	X54013051	SET SCREW SM6.35		41	XA8064021	SPRING	
4	X52478021	BUSHING PRESSER		42	X50487051	SCREW M4	
5	X57908021	TAPTITE BIND S M4 x 10		43	XC0614021	NEEDLE PLATE ASSEMBLY	
6	XA8039021	TIMING BELT		44	X56029020	SPRING, PLATE	1000013707
7	XA8040021	TENSION PULLEY ASSEMBLY		45	060260316	SCREW BIND M2.6X3	
8	XA3004021	BOLT, (S/P WASHER) M5X12		46	X80321021	NT LOWER THREAD CUTTER	
9	XA2358121	NEEDLE BAR		47	XD1646051	NEEDLE PLATE COVER SUPPLY ASSY	050259
10	XC0947020	NEEDLE BAR THREAD GUIDE		48	XC1013020	UPPER THREAD KEEPING PLATE	
11	012400432	SET SCREW SOCKET (FT) M4X4		49	XA9251020	PLATE QB	
12	XZ0001121	NEEDLE CLAMP		50	XC0226021	BH LEVER HOLDER (PS2250, PS53, STAR35, BOUTIQUE17)	
13	XZ0002021	NEEDLE CLAMP SCREW		51	X57908021	TAPTITE, BIND S M4X10	
14	XA5718121	NEEDLE CLAMP PIN		52	025680133	WASHER, PLAIN S 4.37 (Except PS2250)	
15	XA8044021	NEEDLE BAR SUPPORTER ASSY		53	XA2505021	THREAD TAKE-UP LEVER ASSEMBLY	
16	XA8045021	NEEDLE BAR SUPPORTER SUB ASSY		54	XC0175021	TAKE-UP LEVER SHAFT	
17	XA8047020	NEEDLE BAR SUPPORTER SHAFT		55	048050343	RETAINING RING E5	1000001451
18	XA8048021	NEEDLE BAR SUPPORTER SHAFT		56	XA8083021	PRESSER PLATE	
19	XA8613021	SET PLATE		57	X57913021	TAPTITE, BIND S M4X16	
20	060300616	SCREW BIND M3X6		58	XA2402020	PRESSER BAR	
21	012400432	SET SCREW SOCKET (FT) M4X4		59	X55770021	PRESSER BAR SPRING	
22	XA1289121	NEEDLE BAR CRANK ROD ASSY		60	XA3955121	PRESSER BAR BRACKET	
23	014401232	SET SCREW SOCKET (CP) M4X12		61	X52760021	SET SCREW, PAN M6 x 12	
24	XC0600021	SPRING		62	XA2511121	PRESSER FOOT LIFTER	
25	X56851021	LOCK NUT		63	XA4422020	PRESSER FOOT LIFTER STUD	
26	XC0613051	H SHAFT HOLDER ASSY		64	048050346	RETAINING RING E5	1000001451
27	014400432	SET SCREW SOCKET (CP) M4X4		65	XA8065021	TENSION RELEASER C	
28	XA0649021	TAPTITE, CUP S M4X14		66	120454021	RETAINING RING, CS3	
29	XA7996021	NEEDLE BAR SUPPORTER ARM	1000001070	67	XA5797021	SPRING	
30	X57647021	NEEDLE BAR SUPPORTER STUD		68	XC3015031	PRESSER FEED HOLDER ASSY	1000008658
31	XA2499021	NEEDLE BAR CRANK		69	137748121	PRESSER FOOT	1000008858
32	132051022	SCREW, FLAT SM3.57-40X7 L		70	132730122	TIGHTENING SCREW 3.57	
33	XA8052021	THREAD GUIDE PLATE ASSEMBLY (Except PS2250)					
34	XA0445251	THREADER HOOK ASSEMBLY (Except PS2250)	060001			(XL6600)	
35	037200516	TAPPING SCREW PAN V M2X5 (Except PS2250)		71	XE0025001	NEEDLE BAR ASSY N	ADD
36	XA2367020	NEEDLE THREADER SET COLLAR (Except PS2250)		72	XD0798031	NEEDLE BAR ASSY	ADD
37	012400432	SET SCREW SOCKET (FT) M4X4 (Except PS2250)		73	XD0801031	NEEDLE BLOCK ASSY	ADD
38	XA8056021	NEEDLE THREAD POSITION SETTER (Except PS2250)		74	XC8563031	NEEDLE CLAMP SCREW	ADD
				75	011020312	SET SCREW (FT) M2X3	ADD
				76	X53330020	WASHER	1000007047

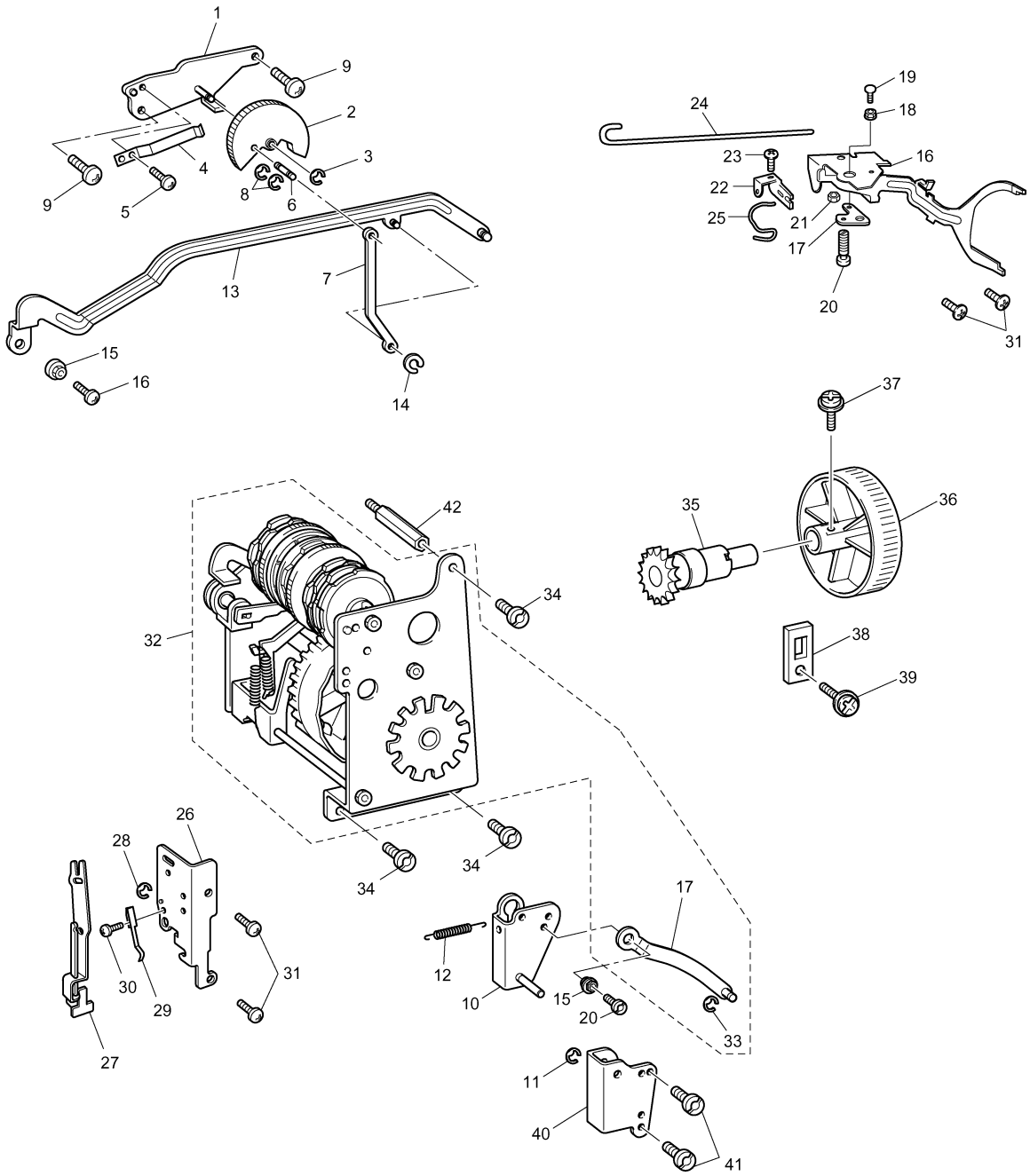


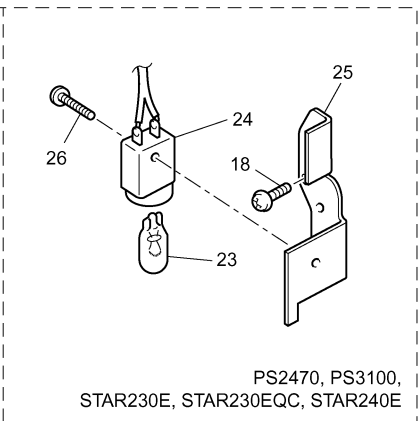
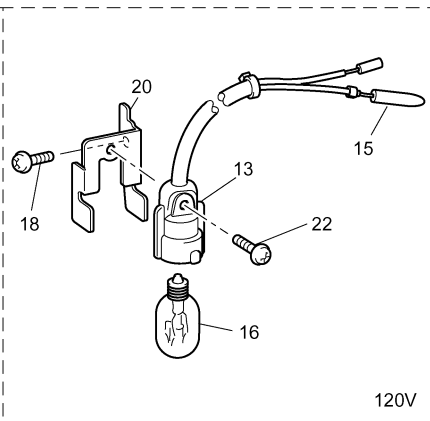
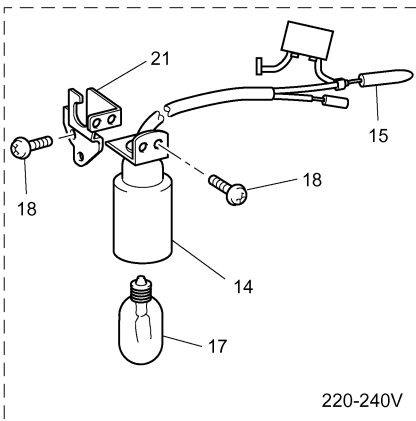
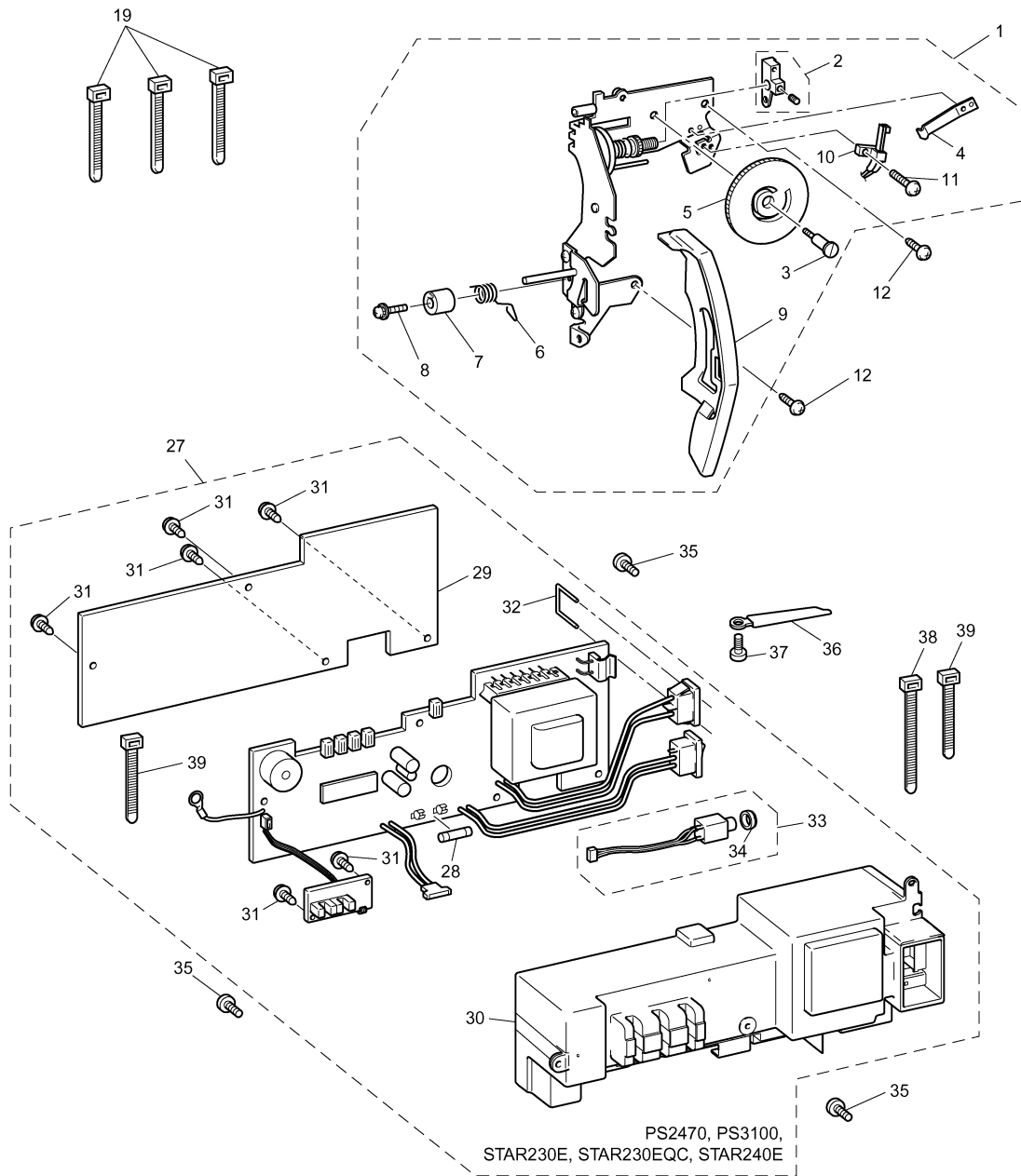
(3) FEED MECHANISM AND SHUTTLE HOOK

No.	CODE	NAME	REMARKS	No.	CODE	NAME	REMARKS
1	XA8066021	FEED CONNECTING ROD ASSY		41	120448021	BOBBIN WINDER RUBBER BAND	
2	X57350021	SPRING EXTENSION		42	XA2951021	BOBBIN BASE ASSY (STAR230E, STAR230EQC, STAR240E, PS2470, PS3100)	
3	X57345021	STUD		43	XA8099021	BOBBIN BASE	
4	048050346	RETAINING RING E5	1000001451	44	XA2696021	SPRING (STAR230E, STAR230EQC, STAR240E, PS2470, PS3100)	
5	XA8070020	HORIZONTAL FEED SHAFT		45	XZ0070021	BOBBIN WINDER SPRING	
6	X57347021	HORIZONTAL FEED ARM ASSY		46	XA2862021	BOBBIN WINDER SHAFT STOPPER (STAR230E, STAR230EQC, STAR240E, PS2470, PS3100)	
7	XA8075021	FEED STAND ASSY		47	060300616	SCREW BIND M3X6 (STAR230E, STAR230EQC, STAR240E, PS2470, PS3100)	
8	XA8071021	HORIZONTAL FEED PLATE		48	XA8102021	BW LEAD WIRE ASSY (STAR230E, STAR230EQC, STAR240E, PS2470, PS3100)	
9	XC0618021	FEED DOG		49	062260516	SCREW PAN M2.6X5 (STAR230E, STAR230EQC, STAR240E, PS2470, PS3100)	
10	060301016	SCREW BIND M3X10		50	X53169020	BAND (STAR230E, STAR230EQC, STAR240E, PS2470, PS3100)	
11	XA8077051	VERTICAL FEED FINGER		51	060400616	SCREW BIND M4X6	
12	014401632	SET SCREW SOCKET (CP) M4X16		52	XA8105021	REVERSE SEWING LEVER A	
13	060400816	SCREW BIND M4X8		53	X59200021	SCREW	
14	XA2526021	DROP PLATE		54	X56960021	NUT 4	
15	XA5858022	DROP KNOB		55	XC0203021	SCREW, STUD M4	
16	XA2199021	SPRING		56	048050346	RETAINING RING E5	1000001451
17	120454021	RETAINING RING,CS3		57	XA8531021	REVERSE SEWING LEVER B ASSY	
18	XA1911021	SPRING		58	XA8111021	SPRING	
19	XA1082021	TAPER POINT STUD R	060050	59	XC0202021	REVERSE SEWING BUTTON	
20	X57913021	TAPTITE, BIND S M4X16	1000001089	60	XZ5063001	LOWER SHAFT SUPPLY ASSY	1000008685
21	X55472021	TAPER POINT STUD L ASSEMBLY		61	XA8112121	LOWER SHAFT ASSEMBLY (STAR230E, STAR230EQC, STAR240E, PS2470, PS3100)	
22	X56613021	SPRING		62	132421021	BUSHING PRESSER	
23	XZ0074021	TAPTITE, CUP S 4X16	1000001089	63	XA1975021	BUSHING PRESSER L	
24	XC0324021	DROP GUIDE PLATE		64	X57908021	TAPTITE, BIND S M4X10	
25	X57908021	TAPTITE, BIND S M4X10		65	XC0752121	OUTER ROTARY HOOK ASSY	
26	XA5859020	SPRING		66	XA0360121	OUTER ROTERY HOOK SHAFT	
27	060300516	SCREW BIND M3X5		67	XA2190020	WASHER U	
28	XA0030024	FEED SQUARE BLOCK	1000005330	68	XA0362021	WASHER	
29	XZ5052001	FEED REGULATOR UNIT	1000005330				
30	XA8081051	ADJUST SCREW					
31	X56960021	NUT 4					
32	X53330020	WASHER					
33	XA8083021	PRESSER PLATE					
34	X57908021	TAPTITE, BIND S M4X10					
35	XA0998021	SPRING					
36	XC0195021	FEED BRACKET SUB ASSEMBLY					
	XC0195023	FEED BRACKET SUB ASSEMBLY (BOUTIQUE37)					
37	XA8090020	IDLE GEAR					
38	048040343	RETAINING RING E4	1000001451				
39	XC0199021	BOBBIN WINDER SHAFT BASE ASSY					
40	XC0620021	BOBBIN WINDER SHAFT BASE ASSY (STAR230E, STAR230EQC, STAR240E, PS3100, PS2470)					



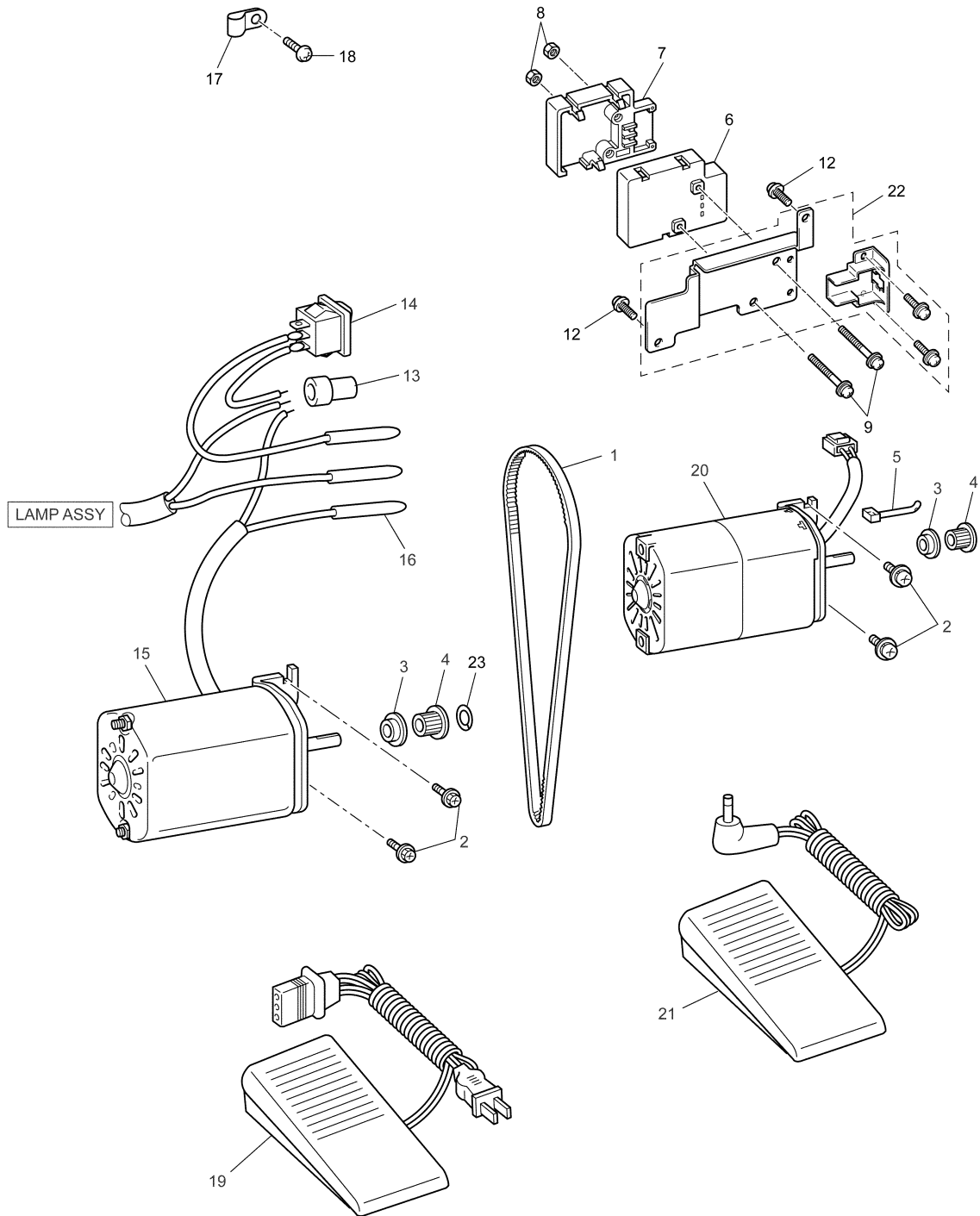






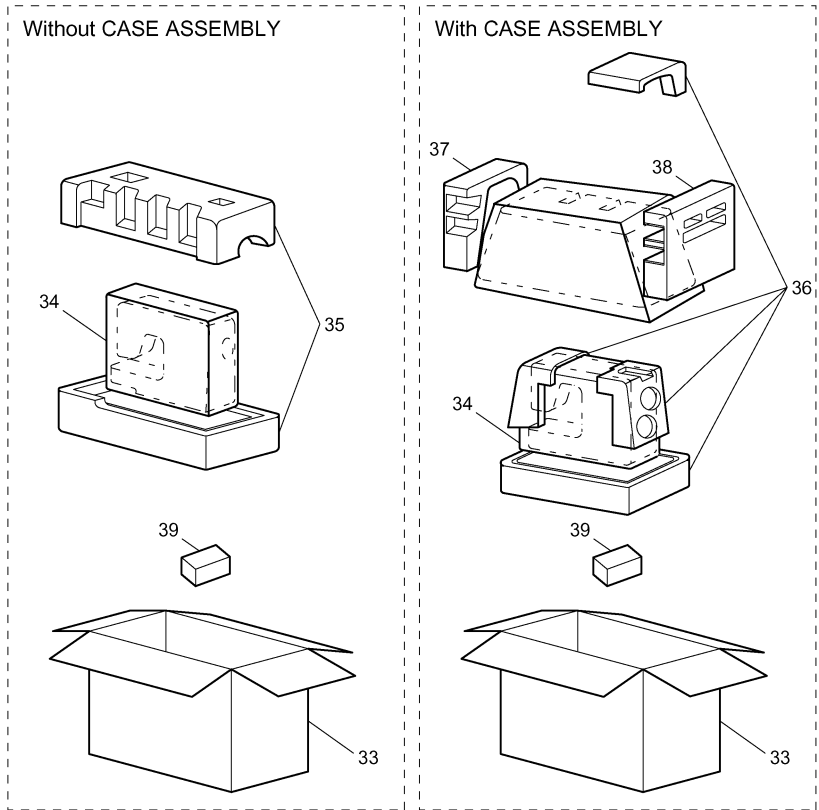
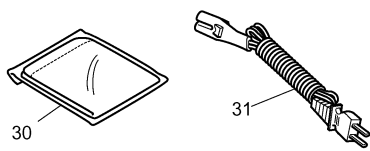
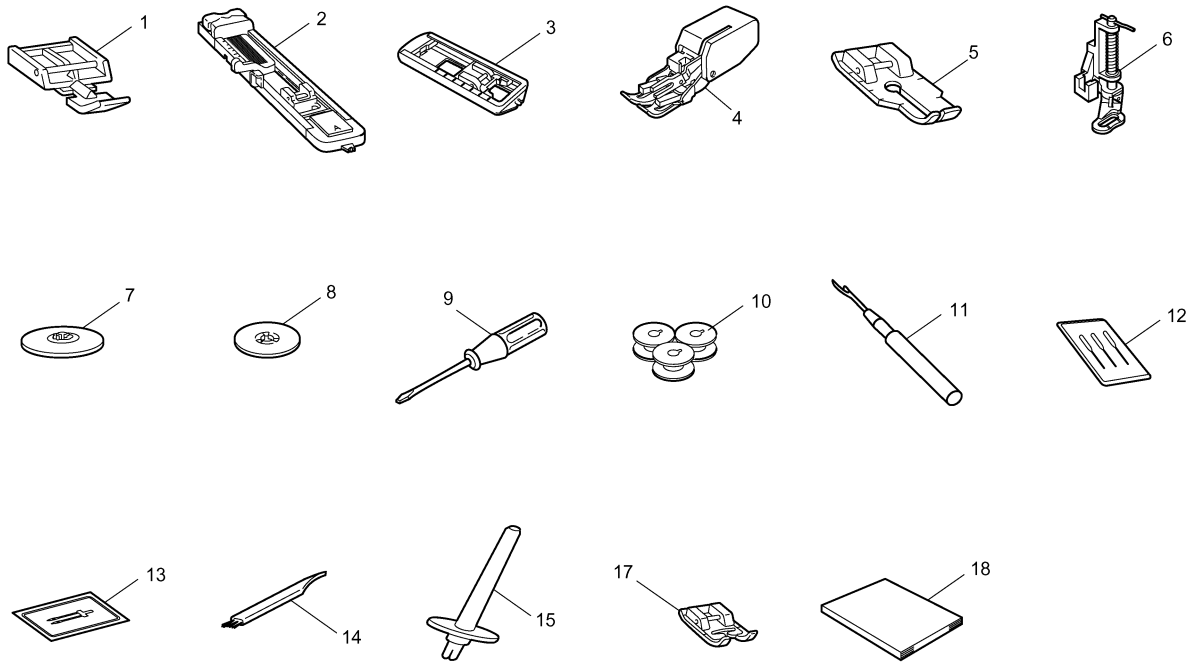
(6) MOTOR UNIT

No.	CODE	NAME	REMARKS	No.	CODE	NAME	REMARKS
1	XA2992021	TIMING BELT		(STAR230E, STAR230EQC, STAR240E, PS2470, PS3100)			
2	XA3004021	BOLT, (S/P WASHER) M5X12		20	XC0711021	MOTOR : MM-514-21 (120V) (PS2470, PS3100)	
3	XA1265120	MOTOR T-PULLY A			XC4533021	MOTOR:MM-514-56 (STAR230E, STAR240E:KOREA)	
4	XC7355021	MOTOR T-PULLY B	060070		XC0717021	MOTOR:MM-514-51 (230V) (OTHER)	
5	220681021	CABLE TIE		21	XD0496021	FOOT CONTROLLER : FC-313-LF-EU (STAR230E:GER, U.K., FRA, ITA, FIN, SWI, STAR240E:GER, U.K., FRA, ITA, FIN)	
(PS2250, PS53, STAR35, PS55, RSR55, XRX55, STAR45, CAMPUS200, STAR50, PS57, BOUTIQUE17, 27, 37, PS2360, XL6600, PS3700, STAR60, STAR55, STAR65)					XC6651121	FOOT CONTROLLER : FC-313-81-LF (STAR230E:RUS, KOR, SIN, AUS, STAR230EQC, STAR240E:RUS, KOR SIN, CHINA, AUS, PS2470, PS3100)	
6	X59176121	3P SOCKET BODY		23	048060142	RETAINING RING EXTERNAL C6	1000015830
7	X59177021	3P SOCKET COVER					
8	021400205	NUT 2 M4					
9	XD1116021	SCREW 4X27					
10	XE0014001	3P HOLDER	DEL 060018				
11	XE0015001	SWITCH COVER	DEL 060018				
12	060400616	SCREW BIND M4X6					
13	214808020	CONNECTOR:#3					
14	XC0814021	POWER SWITCH ASSY (120V) (PS2250, PS2360, PS3700)					
	XE0126001	POWER SWITCH SUPPLY ASSY (240V) (PS53, STAR35, PS55, RSR55, XRX55, STAR45, CAMPUS200, STAR50, PS57, BOUTIQUE17, 27, 37, XL6600, STAR60)	060018				
15	XE0009101	MOTOR:HFA-05170 (120V 60Hz)	1000015830				
	XE0905201	MOTOR:NSC-60 FDM220V60HZ (PS53, PS55, PS57:KOR, CAMPUS200, PS3700:BRA220V)	1000015830				
	XE0567201	MOTOR:NSC-60 240V (PS53, PS57:AUSTRALIA, PS55:NEW ZEALAND)	1000015830				
	XE0010301	MOTOR:NSC-60 230V (OTHER)	1000015830				
16	138598021	SOCKET PIN					
17	XA8837021	CORD CLAMP					
18	X57908021	TAPTITE, BIND S M4X10					
19	XC7359021	FOOT CONTROLLER:KD-1902 (PS2250, PS2360, PS3700)					
	XC7456321	FOOT CONTROLLER:KD-2902UK (PS53, PS55, PS57, XL6600:U.K.)					
	XD0852021	FOOT CONTROLLER:KD-2902KOREA (PS53, PS55, PS57:KOR, CAMPUS200)	060070				
	XE0629001	FOOT CONTROLLER:KD-2902AUS (PS53, PS57:AUSTRALIA, PS55:NEW ZEALAND)	060070				
	XC7438321	FOOT CONTROLLER:KD-2902 (OTHER)					
	XE3414001	FOOT CONTROLLER:KD-1902 BRZ (BRA)	1000003954				
	XE4302001	FOOT CONTROLLER:KD-2902 BRZ (BRA220V)	1000007440				
22	XE0016001	3P HOLDER SUPPLY ASSY	060018				



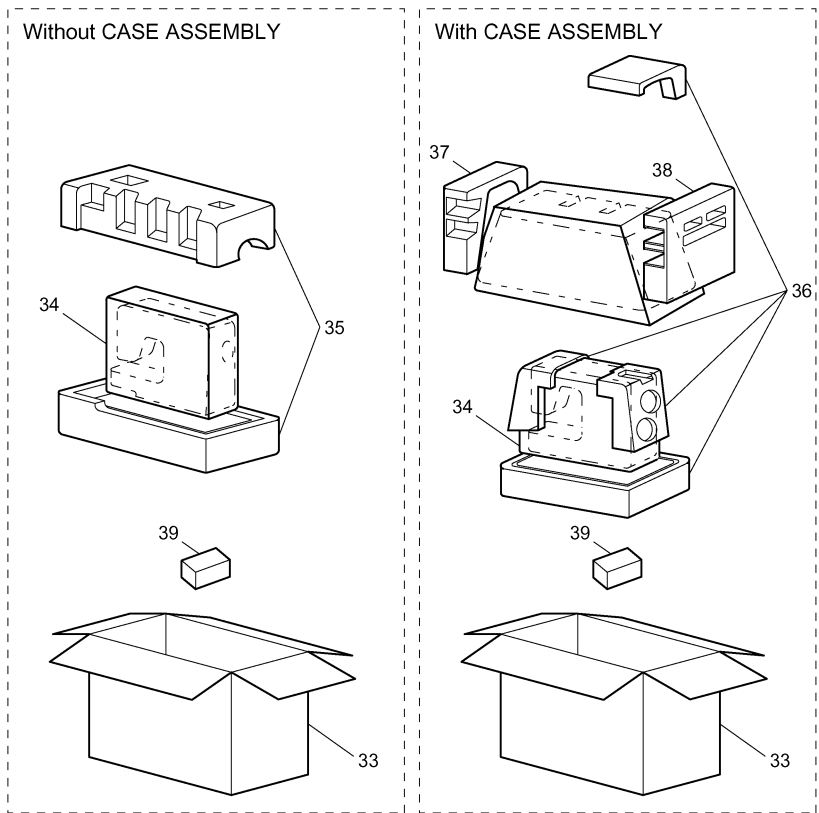
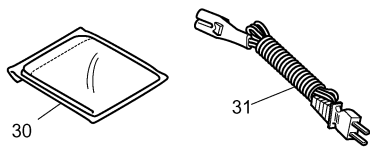
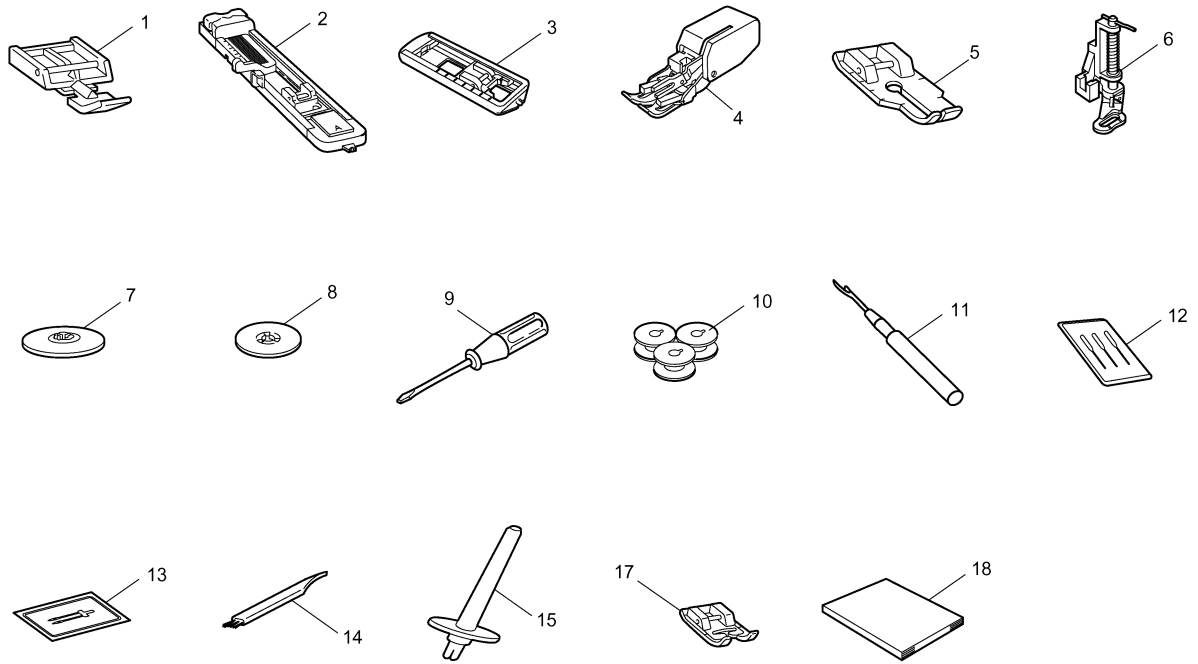
(7) ATTACHMENTS

No.	CODE	NAME	REMARKS	No.	CODE	NAME	REMARKS
ATTACHMENTS							
1	X59370021	ZIPPER FOOT	060121		194279111	OPERATION MANUAL (English, French, Spanish) (PS2360, PS2470, PS3100)	
2	XD1792031	BUTTON HOLE FOOT ASSY (Except PS2250, PS53, STAR35, BOUTIQUE17)	060173		XC4785021	OPERATION MANUAL (Hangul) (KOREA)	
3	X59369321	BUTTON HOLE FOOT ASSY (PS2250, PS53, STAR35, BOUTIQUE17)			XD0998021	INSTRUCTION BOOK (EUR, KOR, RUS)	
4	XE1678201	WALKING FOOT ASSY H 7MM (STAR230EQC, STAR240E, PS3700)	100000446		XE4540001	INSTRUCTION BOOK BR (PS3700:BRA)	1000007440
5	XA3805021	1/4'QUILTING FOOT (STAR230EQC, PS3700)			XD1261021	INSTRUCTION BOOK (PS3700:U.S.A.)	ADD
	XA3805051	1/4'QUILTING FOOT (STAR240E)			XC7143021	INSTRUCTION BOOK (STAR240E:CHINA)	
6	XD1819021	QUILTING FOOT (STAR230EQC, STAR240E, PS3700)	050309		LA1661004	WARRANTY CARD EURO-CH	1000017862
7	130012024	SPOOL PRESSER A			XC6402024	WARRANTY CARD UK (U.K.)	1000017862
8	130013124	SPOOL PRESSER B			XE5609104	WARRANTY CARD 5YEARS-ITA (ITA)	1000017862
9	X55467021	SCREW DRIVER	060020		XD1328021	WARRANTY CARD CHINA (STAR240E)	
10	X52800120	BOBBIN			XE1115001	EEU WARRANTY CARD (PS55:AUS)	060095
11	X54243051	SEAM RIPPER			XC8946021	WARRANTY CARD C (PS3100, PS3700:USA)	1000008672
12	129583021	NEEDLE SET (3PCS)			XE2010001	WARRANTY CARD BROTHER CANADA	1000008672
13	X57521021	NEEDLE PACKAGE (1PCE)			XE5572004	WARRANTY CARD BROTHER-RUS (RUS)	1000017862
14	X59476021	CLEANING BRUSH			XD0256121	INSERTION WEEE	1000002031
15	130920021	EXTRA SPOOL PIN			XE0027001	INSERTION (XL6600)	ADD
16	X57367021	BAG, 135X150			XE1565101	INSERTION (STAR45, 60, 55, 65, RSR55, XRX55, BOUTIQUE27, 37)	1000001407
17	137988101	PRESSER FOOT (PS2250, 2360, 2470, 3100, 3700)			XC9292021	MANUAL ASSY (BOUTIQUE37)	
	XE0754001	NARROW HEMMER FOOT (PS2360)	1000002058		XA0188050	BAG (STAR230E:Except KOR, STAR230EQC, STAR240E:Except KOR)	
PRINTED MATTERS							
18	194277011	OPERATION MANUAL (French, Dutch) (PS2250, PS53:FRA, PS55:FRA,SWI, PS57:FRA, STAR230E:FRA,SWI, STAR240E:FRA)		30	X53984027	DUST COVER ASSY (PS53:Except AUS, STAR35, 45, PS55:Except NZL, PS57:Except AUS, RSR55, XRX55, BOUTIQUE17, 37, XL6600, STAR60, BOUTIQUE27, STAR55, 65)	1000012821
	194277012	OPERATION MANUAL (English, Spanish, Italian) (PS53:ITA, SIN, AUS, PS55:U.K., ITA, SWI, SIN, NZL, PS57:U.K., ITA, SIN, AUS, STAR230E:U.K., ITA, SWI, SIN, AUS, STAR240E:U.K., ITA, SIN, AUS, STAR 230EQC, XL6600)		31	XA0070121	POWER SUPPLY CORD (STAR230E:OTHER, STAR240E:OTHER)	
	XD0998021	INSTRUCTION BOOK (English, German, Russian) (PS53:GER, U.K., RUS, STAR35, PS55:GER, AUS, RUS, RSR55, XRX55, STAR45, STAR50, PS57:GER, RUS, STAR230E:GER, RUS, BOUTIQUE17, STAR240E:GER, RUS, STAR60, 55, 65)			X59354121	POWER SUPPLY CORD -BS (STAR230E:U.K., STAR240E:U.K.)	
	194277014	OPERATION MANUAL (Swedish, Finnish, Danish) (PS53:FIN, PS55:FIN, STAR230E:FIN, STAR240E:FIN)			XA1291021	POWER SUPPLY CORD (STAR230E:KOR, STAR240E:KOR)	
					XC9548021	POWER SUPPLY CORD : SAA-LF (STAR230E:AUS, STAR240E:AUS, STAR230EQC)	
					XA5820021	MAIN POWER CORD (STAR230E:CHINA)	
					XC6052021	POWER SUPPLY CORD : UL CSA-LF (PS2470, PS3100)	
					130800021	BAG, 230X310H (PS53:Except KOR, PS55:Except KOR, RSR55, XRX55, STAR45, STAR50, 60, PS57:Except KOR, BOUTIQUE17, 27, 37, STAR230E:Except KOR, STAR230EQC, STAR240E:Except KOREA, PS2360, PS3700, PS2470, PS3100, XL6600, STAR55, 65)	1000011228



(7) ATTACHMENTS

No.	CODE	NAME	REMARKS	No.	CODE	NAME	REMARKS
	XC6272023	WIDE TABLE ASSY W/T4 (PS3700:U.S.A., BRA)					
	XC5473121	T4 WIDE TABLE ASSY (PS3700:U.S.A., BRA)	1000006345				
	XC4493021	TABLE LOWER (PS3700:U.S.A., BRA)					
	XC4495021	TABLE FOOT (PS3700:U.S.A., BRA)					
	XD1223021	ADJUSTING FOOT (PS3700:U.S.A.,					
	021400206	NUT 2 M4 (PS3700:U.S.A., BRA)					
	XE3127001	LOCK SPRING (PS3700:U.S.A., BRA)	1000006345				
	087411416	TAPTITE CUP B M4X14 (PS3700:U.S.A., BRA)					
	X61231021	BAG 400X500H (PS3700:U.S.A., BRA, CAN)	1000013217				
PACKING MATERIALS							
33	X61650021	CARTON (PS2250)					
	X61650022	CARTON (PS53:OTHER)					
	X61650047	CARTON (STAR35)	1000001416				
	X61701025	CARTON (PS53:KOREA)					
	X61701026	CARTON (PS53:AUSTRALIA)					
	X61650046	CARTON (PS53:RUSSIA)	1000001416				
	X61650024	CARTON (PS55:OTHER)					
	X61649039	CARTON (RSR55)	1000001416				
	X61649038	CARTON (XR55)	1000001416				
	X61650049	CARTON (STAR45)	1000001416				
	X61701025	CARTON (PS55:KOREA)					
	X61649030	CARTON (CAMPUS200)					
	X61701027	CARTON (PS55:NEW ZEALAND)					
	X61650048	CARTON (PS55:RUSSIA)	1000001416				
	X61649040	CARTON (STAR50)	1000001416				
	X61650023	CARTON (PS57:OTHER)					
	X61649036	CARTON (BOUTIQUE37)	1000001416				
	X61701025	CARTON (PS57:KOREA)					
	X61701028	CARTON (PS57:AUSTRALIA)					
	X61650081	CARTON (PS57:RUSSIA)	1000001416				
	X61649024	CARTON (STAR230E, STAR230EQC)					
	X61649023	CARTON (STAR240E)					
	X61649022	CARTON (PS2360)					
	X61649021	CARTON (PS2470)					
	X61649032	CARTON (PS3100)					
	X61650044	CARTON (XL6600)	ADD				
	XD1264021	CARTON (PS3700)	ADD				
	X61649037	CARTON (STAR60)	1000001416				
	X61650080	CARTON (BOUTIQUE27)	1000001416				
	X61649034	CARTON (STAR55)	ADD				
	X61649035	CARTON (STAR65)	ADD				
	X61683026	COLOR CARTON (BOUTIQUE17)	1000005184				
34	X60439121	BAG 630X630T	1000013192				
	X60687150	BAG, 95X135	1000005080				
				35	X61774021	STYROFOAM ASSY 271 (PS2250, PS53:Except KOR, AUS, STAR35, PS55:OTHER, PS57:OTHER, BOUTIQUE17, 27)	
					X61695021	285 SF ASSY (XL6600)	ADD
				36	X61773151	STYROFOAM ASSY 279 (PS53:AUS, RSR55, XR55, PS55:NZL, STAR50, BOUTIQUE37, PS57:AUS, STAR230E:OTHER, STAR230EQC, STAR240E:OTHER, PS2360, PS2470, PS3100, STAR60)	060054
					X61773022	STYROFOAM ASSY 279 (PS53:KOR, PS55:KOR, PS57:KOR, STAR230E:KOR, STAR240E:KOR)	
				37	X60018120	OVER CASE POLYSTYRENE L (PS53:AUS, RSR55, XR55, PS55:NZL, STAR50, PS57:AUS, BOUTIQUE37, STAR230E:Except KOR, STAR230EQC, STAR240E:Except KOR, PS2360, PS2470, PS3100, PS3700, STAR60, 55, 65)	060054
					X60018120	OVER CASE POLYSTYRENE L (PS53:KOR, PS55:KOR, CAMPUS200, STAR230E:KOR, STAR240E:KOR)	060054
				38	X60019120	OVER CASE POLYSTYRENE R (PS53:AUS, RSR55, XR55, PS55:NZL, STAR50, PS57:AUS, BOUTIQUE37, STAR230E:Except KOR, STAR230EQC, STAR240E:Except KOR, PS2360, PS2470, PS3100, PS3700, STAR60, 55, 65)	060054
					X60019120	OVER CASE POLYSTYRENE R (PS53:KOR, PS55:KOR, CAMPUS200, PS57:KOR, STAR230E:KOR, STAR240E:KOR)	060054
				39	X60726020	FOOT CONTROLLER BOX	
				40	264030021	BAG,165X250 STAR230E:KOR, AUS, STAR230EQC, STAR240E:KOR, AUS, PS2470, PS3100)	060085
				41	160670021	BAG,150X350 (STAR230E:KOR, AUS, STAR230EQC, STAR240E:KOR, AUS, PS2470, PS3100)	060085
				42	XC6899021	LABEL OF CARTON (STAR230EQC)	
					X57847021	PLUG LABEL (U.K.)	
					XE0630001	POLYSTYRENE FOAM PAD SIDE (PS3700)	060079
					XE0631001	SPACER POLYSTYRENE FOAM PAD (PS3700)	060079
					XE0632001	SPACER S (PS3700)	060079
					XE0632101	SPACER D (PS3700)	1000006603
					XE2895001	OPTIONAL 5YEAR WARRANTY CARD (XL6600)	1000017862
					XE6308001	INNOV-IS RANGE PROMOTION DVD	1000013646
					XE5614001	REGISTRATION CARD ITA (ITA)	1000017862



brother®

PS2250/PS2360/PS2470/PS3100/PS3700
PS53/PS55/PS57/RSR55/XRX55
STAR35/STAR45/STAR50/STAR60/STAR55/STAR65/STAR230E/STAR230EQC/STAR240E
BOUTIQUE17/27/37/CAMPUS200/XL6600
HF885271/274-279/295

05. 2005.
03. 2010.