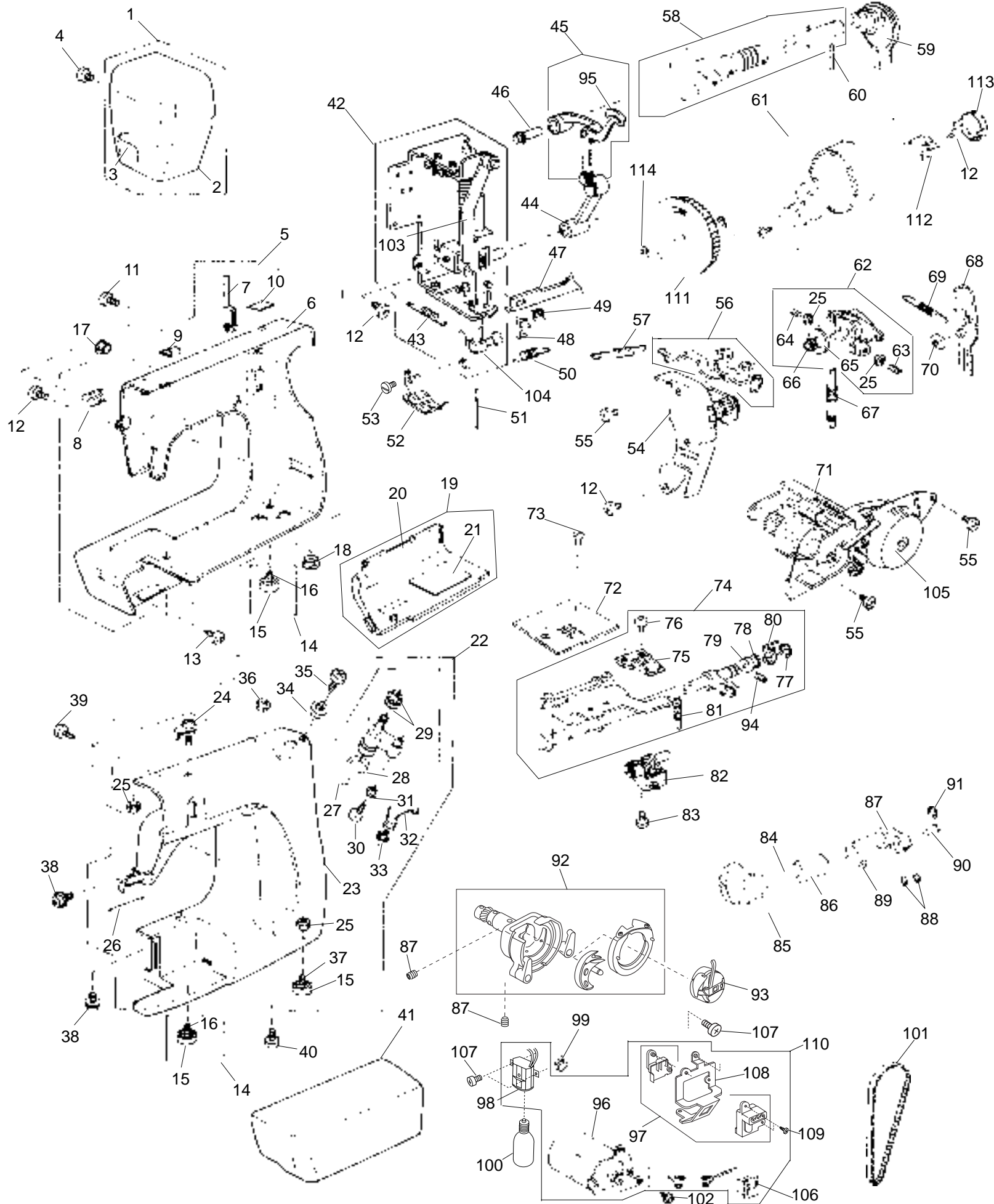


# PARTS LIST

MODEL Harmony 1017



No.	PART NO.	PART NAME	No.	PART NO.	PART NAME
1	639 614 908	Face plate (unit)	58	639 625 005	Upper shaft (unit)
2	639 008 707	Face plate	59	639 623 003	Crank rod (unit)
3	366 076 000	Face plate sticker	60	000 023 803	S.P. 4 x 40
4	000 070 012	Setscrew 4 x 14	61	639 660 002	Handwheel (unit)
5	639 601 603	Rear cover (unit)	62	639 607 001	Feed regulator (unit)
6	639 002 309	Rear cover	63	000 114 008	Setscrew
7	639 003 001	Spool pin	64	648 010 009	Setscrew
8	639 004 002	Thread guide	65	735 073 003	Washer
9	738 015 006	Thread guide	66	000 013 800	Snap ring CS-6
10	639 111 106	Spool pin sticker	67	639 105 004	Spring
11	000 069 616	Setscrew 4 x 8	68	639 040 000	Feed regulating rod
12	000 081 005	Setscrew 4 x 8	69	639 041 001	Feed regulating rod spring
13	000 160 607	Setscrew 3 x 16	70	639 042 002	Feed regulator slide block
14	639 613 000	Rubber base (unit)	71	639 610 007	Zigzag mechanism (unit)
15	639 005 003	Rubber base	72	744 004 001	Needle plate
16	000 115 607	Setscrew 4 x 8	73	681 009 101	Setscrew
17	653 006 101	Cap	74	639 608 002	Feed rock shaft (unit)
18	733 003 202	Cap	75	639 050 003	Feed dog
19	639 624 015	Bed cover (unit)	76	735 082 005	Setscrew
20	639 006 004	Bed cover	77	000 002 806	Snap ring E-6
21	639 112 004	Bed cover sticker	78	000 036 201	Washer
22	639 611 031	Front cover (unit)	79	639 115 007	Ring
23	639 074 254	Front cover	80	639 052 005	Feed rock shaft supporter
24	730 501 022	Thread guide plate (unit)	81	639 048 008	Feed lifting spring
25	000 160 102	Nut 4	82	639 609 003	Feed lifting arm (unit)
26	639 075 004	Thread guide	83	000 101 703	Setscrew 4 x 12
27	639 612 009	Bobbin winder arm (unit)	84	639 035 002	Lower shaft
28	639 078 007	Bobbin winder ring	85	735 950 003	Lower shaft gear (unit)
29	000 014 409	Snap ring CS-8	86	735 061 008	Feed lifting cam
30	000 121 905	Setscrew 4 x 12	87	639 036 003	Lower shaft arm
31	000 070 506	Washer	88	000 111 304	Hexagonal socket screw 5 x 5
32	639 079 008	Bobbin winder arm spring	89	553 245 008	Hexagonal socket screw
33	000 013 903	Snap ring CS-5	90	639 037 004	Pin
34	652 016 101	Bobbin winder stopper	91	000 001609	Snap ring E-5
35	000 101 828	Setscrew 4 x 16	92	735 610 101	Shuttle race (unit)
36	000 061 205	Nut	93	647 515 006	Bobbin case
37	000 201 003	TP screw 4 x 20	94	000 111 005	Setscrew
38	000 115 205	TP screw 4 x 6	95	639 503 006	Thread take-up lever (unit)
39	000 161 309	Setscrew 3 x 12	96	639 636 009	Motor (unit)
40	000 101 404	Setscrew 4 x 6	97	731 515 000	Machine socket (unit)
41	639 007 005	Extension table	98	639 512 008	Lamp socket (unit)
42	639 602 006	Presser bar base plate (unit)	99	000 053 008	Binder
43	639 110 002	Supporter spring (2)	100	000 008 606	Lamp 120V
44	639 016 007	Needle bar crank rod	101	639 083 005	Timing belt
45	639 622 002	Needle bar crank pin (unit)	102	000 115 504	TP screw 5 x 10
46	731 511 006	Thread take-up lever pin (unit)	103	639 013 004	Needle bar supporter (unit)
47	639 072 001	Zigzag rod	104	639 603 007	Needle bar (unit)
48	639 098 003	Zigzag rod plate	105	639 068 015	Pattern selector dial
49	000 002 105	Snap ring E-3	106	639 511 018	Switch assembly
50	639 017 008	Supporter spring	107	000 101 105	Setscrew 3 x 4
51	102 408 089	Needle HA1-14	108	639 117 009	Terminal bracket
52	735 503 018	Presser foot (unit)	109	000 121 400	TP screw 3 x 14
53	763 048 006	Setscrew	110	639 630 106	Electric component (unit)
54	639 515 001	Thread tension (unit)	111	639 096 012	Belt wheel
55	810 220 003	Setscrew	112	639 113 016	Clutch spring
56	639 604 019	Tension mounting plate (unit)	113	650 070 509	Clutch cap
57	639 026 000	Spring	114	000 030 205	Snap ring E-8