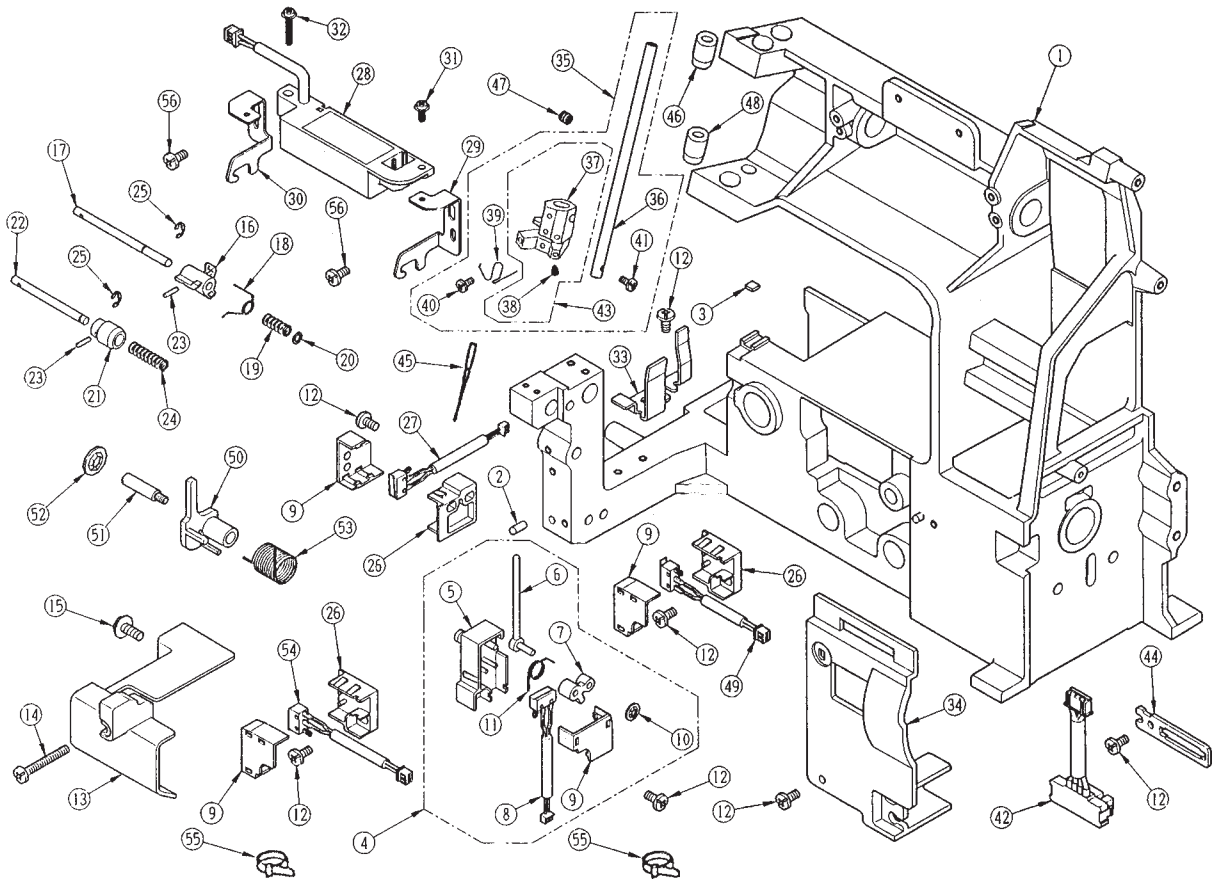


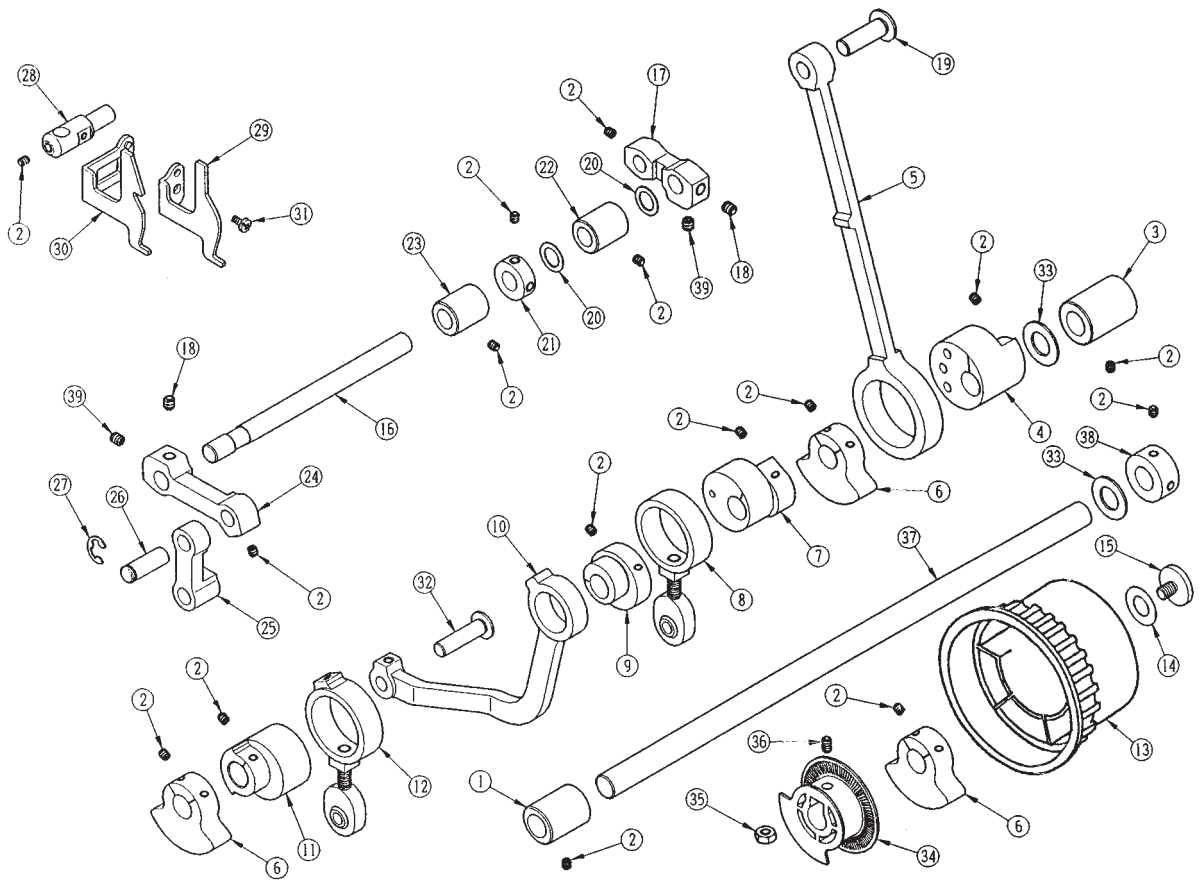
# PARTS LIST

CompuLock

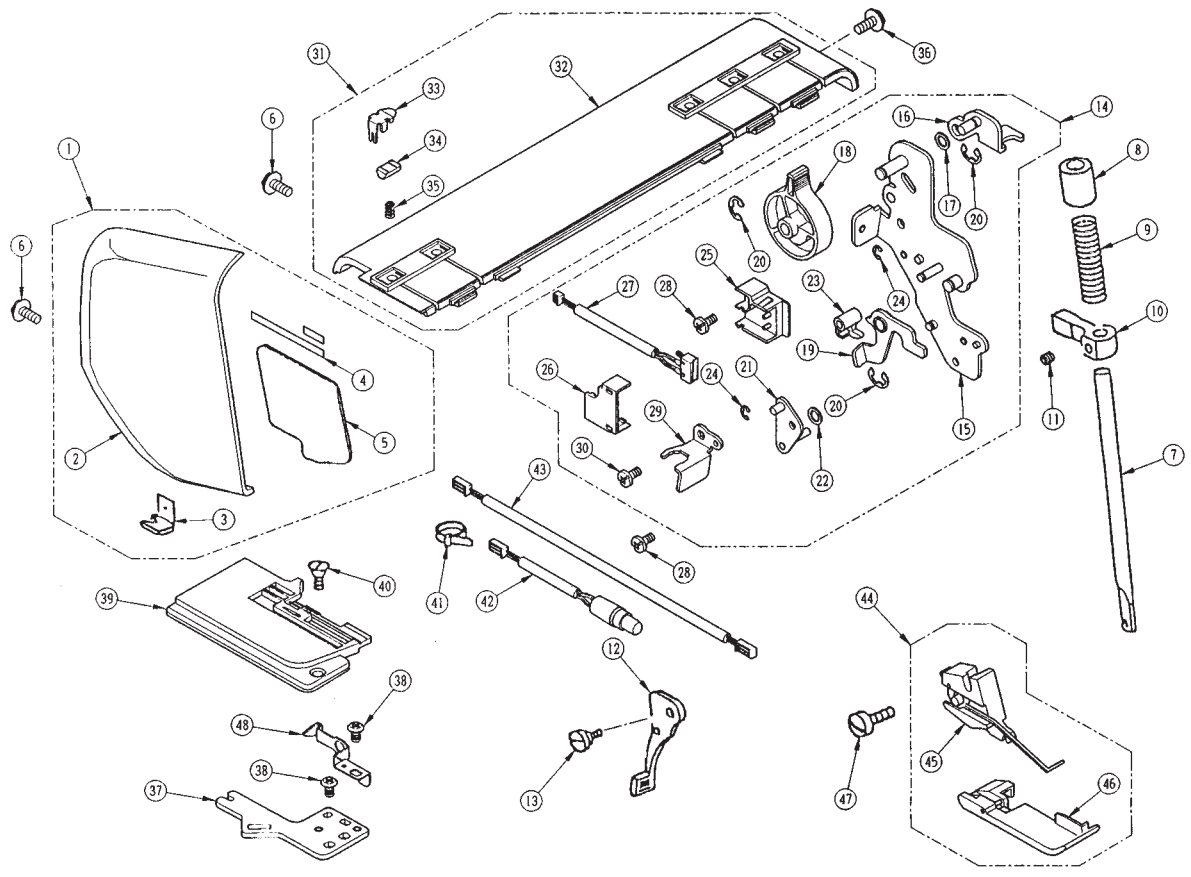
Specification code: 888701004 (JAI)  
888702005 (JCA)



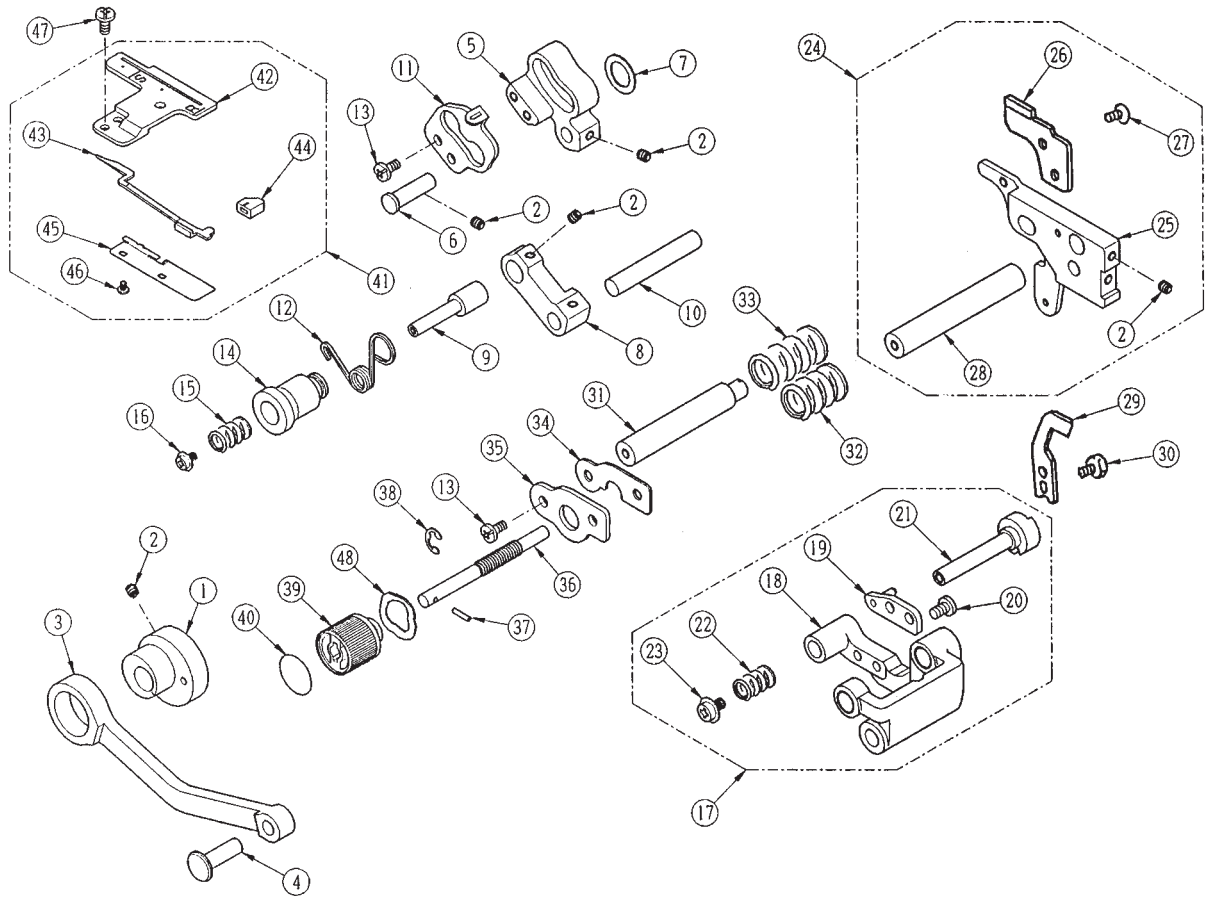
Ref. No.	Part No.	Name
1	888001100	Arm
2	000022101	Spring pin
3	888011000	Needle plate cushion
4	888602004	Needle plate switch unit
5	888005001	Needle plate switch case
6	888006002	Needle plate sensor arm (1)
7	888007003	Needle plate sensor arm (2)
8	888501208	Micro-switch
9	888008004	Switch case
10	000014306	Snap ring
11	888009005	Spring
12	000081005	Setscrew
13	888194008	Inner cover
14	000103211	Setscrew
15	000115607	Setscrew (000115618)
16	888218009	Opener cam (l)
17	888219000	Switch rod (1)
18	888222006	Spring
19	888220004	Spring
20	000070506	Washer
21	888221005	Opener cam (2)
22	888238005	Switch rod (2)
23	000020109	Spring pin
24	888237004	Spring
25	000002105	Snap ring
26	888036001	Switch case
27	888501105	Micro-switch
28	888516000	Inverter unit
29	888172000	Inverter set plate (right)
30	888173001	Inverter set plate (left)
31	000115009	Setscrew
32	000114400	Setscrew
33	888138004	Looper threader stopper
34	888233000	Hand wheel cover
35	888606019	Needle bar unit (888606008)
36	888027009	Needle bar
37	888255008	Needle clamp (888028000)
38	888264000	Needle set screw (785008024)
39	888029012	Thread guide (888029001)
40	000101127	Setscrew
41	006066727	Setscrew
42	830543007	Main shaft sensor
43	888503004	Needle clamp unit
44	888019008	Sensor set plate
45	784157015	Needle
46	784027004	Needle bar upper bushing
47	000111201	Hexagon socket screw
48	784028005	Needle bar lower bushing
49	888501002	Micro-switch
50	888050001	Knife sensor arm
51	888051002	Sensor arm
52	000013800	Snap ring
53	888052003	Spring
54	888501301	Micro-switch
55	000053101	Binder (000053008)
56	000101404	Setscrew



Ref. No.	Part No.	Name
1	784310007	Main shaft front bushing
2	000111201	Hexagon socket screw
3	784009000	Main shaft rear bushing
4	888013002	Needle bar cam
5	888014003	Needle bar crank rod
6	888012001	Balance weight
7	888015004	Upper looper cam
8	784602009	Looper cam link unit
9	888016005	Double chain looper earn
10	888017006	Double chain rod
11	888018007	Lower looper cam
12	784602102	Looper cam link unit
13	784019302	Hand wheel
14	556047007	Washer
15	618070004	Setscrew
16	888247007	Needle bar crank shaft
17	888021003	Needle bar crank (right)
18	000111304	Hexagon socket screw
19	888022004	Link pin
20	000038502	Washer
21	820161001	Looper thrust ring (787106007)
22	784164004	Looper shaft front bushing
23	784071003	Looper shaft bushing
24	888023005	Needle bar crank (left)
25	888024006	Needle bar rink
26	784022009	Link pin
27	000001609	Snap ring
28	784024001	Needle bar bracket
29	888025007	Thread take-up lever (right needle)
30	888026008	Thread take-up lever (left needle)
31	000066705	Setscrew
32	888125008	Pin
33	000038605	Washer
34	753133101	Shield plate
35	000062402	Hexagon nut
36	000111108	Hexagon socket screw
	888010009	Main shaft
38	619006002	Main shaft ring
39	000110107	Hexagon socket screw

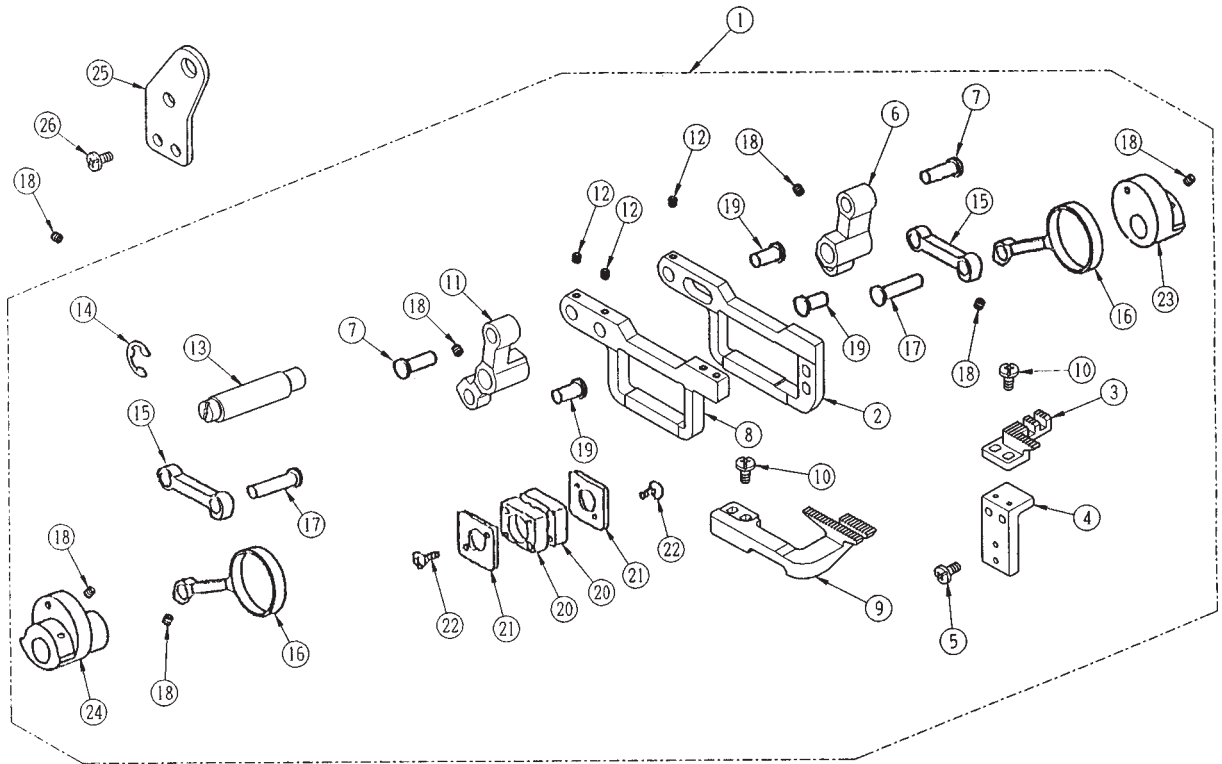


Ref. No.	Part No.	Name
1	888609001	Face plate unit for U.S.A.
	888609104	Face plate unit for Canada
2	888039004	Face plate
3	840602006	Thread cutter unit
4	100455007	Lamp sticker for U.S.A.
	100411001	Lamp sticker for Canada
5	787031000	Reflecting sticker
6	000115700	Setscrew
7	787019002	Presser bar
8	888208006	Presser bar upper bushing
9	787020006	Presser bar spring
10	724118007	Presser bar bracket
11	000111304	Hexagon socket screw
12	650032015	Presser bar lifter
13	810431009	Hinge screw
14	888607009	Front frame unit
15	888030005	Front frame
16	888031006	Pressure adjusting elate
17	000070300	Washer
18	888032007	Pressure adjusting dial
19	888033008	Tension releasing arm
20	000002507	Snap ring
21	888034009	Presser bar lifter connecting rod
22	000071013	Washer
23	888035000	Presser bar sensor arm
24	000002105	Snap ring
25	888036001	Switch case
26	888008004	Switch case cover
27	888501208	Micro-switch
28	000081005	Setscrew
29	888206004	Lamp set plate
30	000101404	Setscrew
31	888632003	Top cover unit
32	888174002	Top cover
33	888175003	Threadguide
34	888176004	Thread guide plate
35	888177005	Thread guide spring
36	000115607	Setscrew
37	888002008	Needle plate bracket
38	810220106	Setscrew
39	888601003	Needle plate unit
40	681009101	Setscrew
41	000188209	Binder(000053008)
42	830538342	Lamp socket unit (830538331)
43	888508009	Connecting cable unit
44	888504005	Presser foot unit
45	888505006	Foot holder unit
46	888506007	Presser foot unit
47	763048006	Setscrew
48	888136013	Double chain needle guard

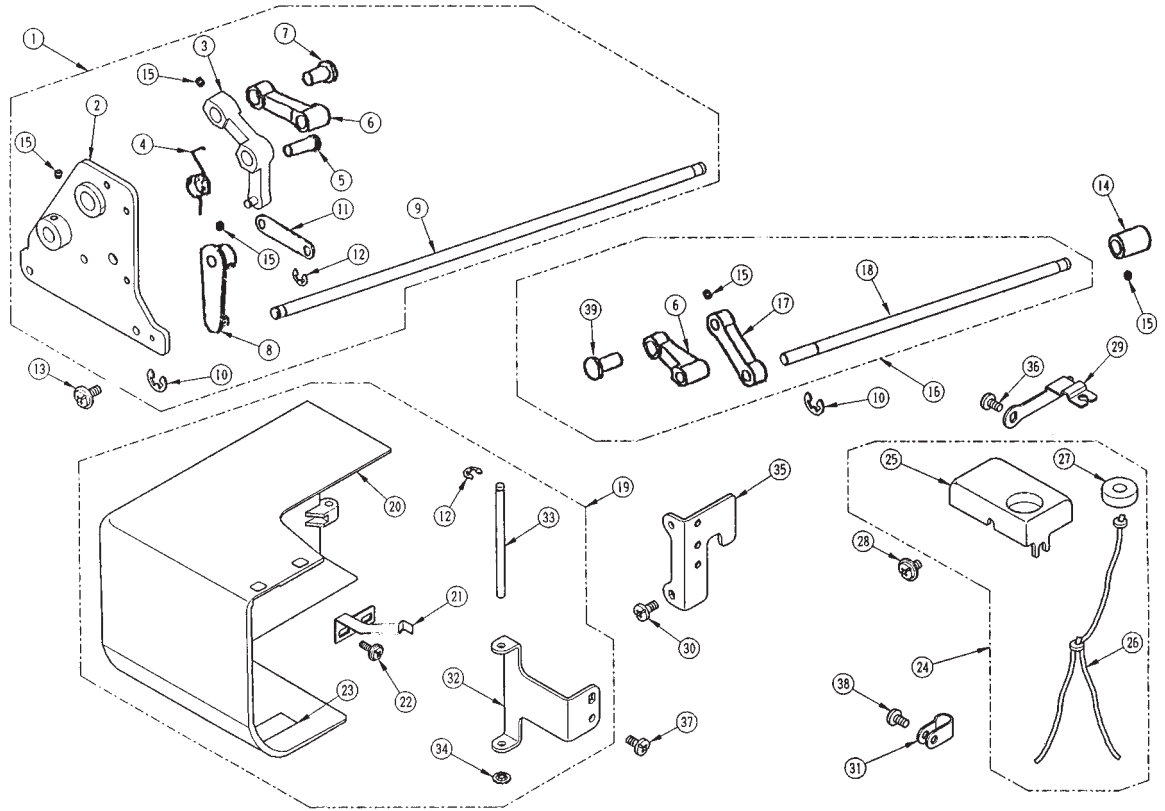




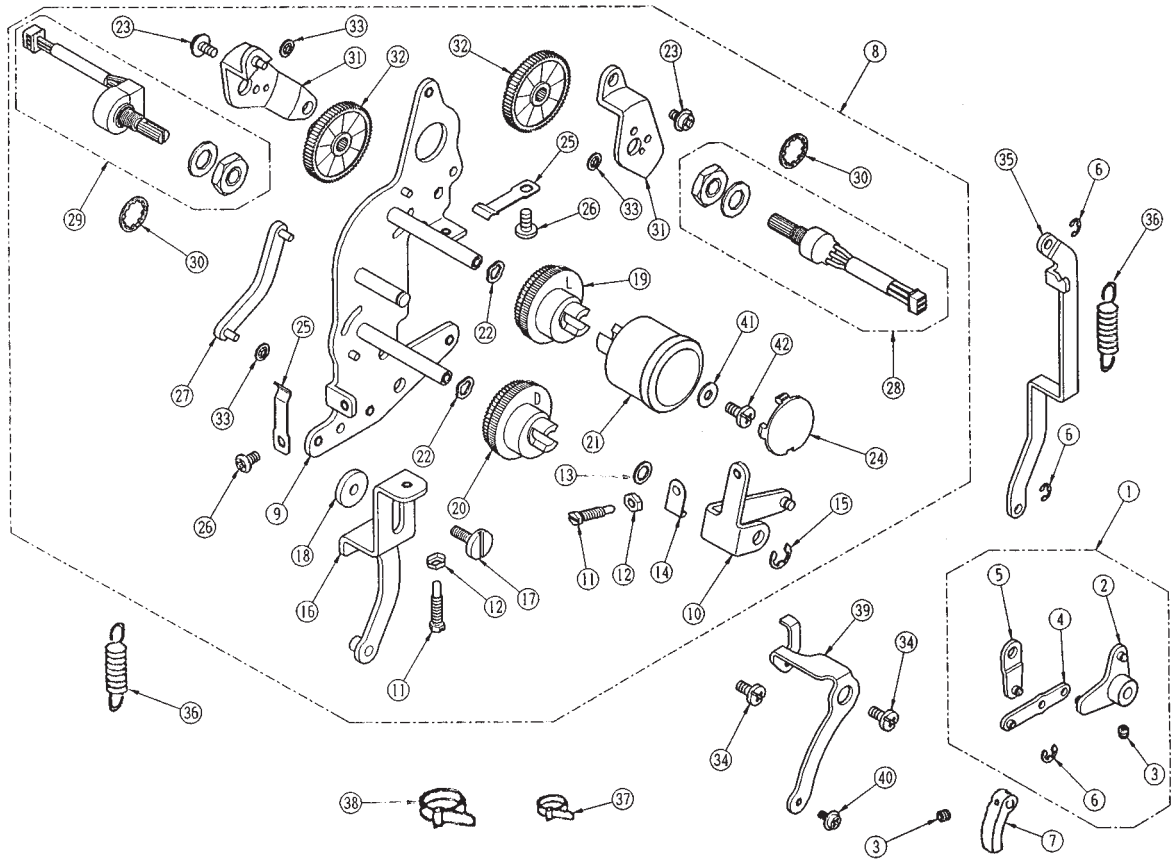
Ref. No.	Part No.	Name
1	888040008	Upper knife drive cam
2	000111201	Hexagon socket screw
3	888041009	Upper knife rod
4	888100007	Connecting link pin
5	888662002	Upper knife deactivate arm
6	888043001	Pin
7	000038502	Washer
8	888044002	Upper knife deactivate link
9	888045003	Upper knife deactivate shaft
10	888046004	Upper knife deactivate link shaft
11	888047005	Arm holder
12	888065009	Spring
13	000103417	Setscrew
14	888048006	Knob
15	888049007	Spring
16	000114709	Setscrew
17	888610005	Upper knife drive arm unit
18	888053004	Upper knife drive arm
19	784041004	Upper knife guide
20	810220106	Setscrew
21	888054005	Upper knife bracket
22	784043006	Upper knife spring
23	000115216	Setscrew
24	888611006	Lower knife bracket unit
25	888057008	Lower knife bracket
26	888253006	Lower knife
27	000102221	Setscrew
28	888058009	Upper knife shaft
29	788011007	Upper knife
30	624303008	Hexagonal bolt
31	888059000	Lower knife eccentric pin
32	888060004	Spring (right)
33	888231008	Spring (left)
34	888061005	Guide plate
35	888062006	Supporting plate
36	888063007	Lower knife shaft
37	000003508	Spring pin
38	000002105	Snap ring (000002507)
39	888064008	Lower knife setting knob
40	888207005	Sticker
41	888613008	Chaining finger set plate unit
42	888066000	Chaining finger set plate
43	888067001	Chaining finger
44	888087007	Chaining finger setting knob
45	888068002	Chaining finger spring
46	820373003	Setscrew
47	000081016	Setscrew (000078320)
48	000116701	Washer



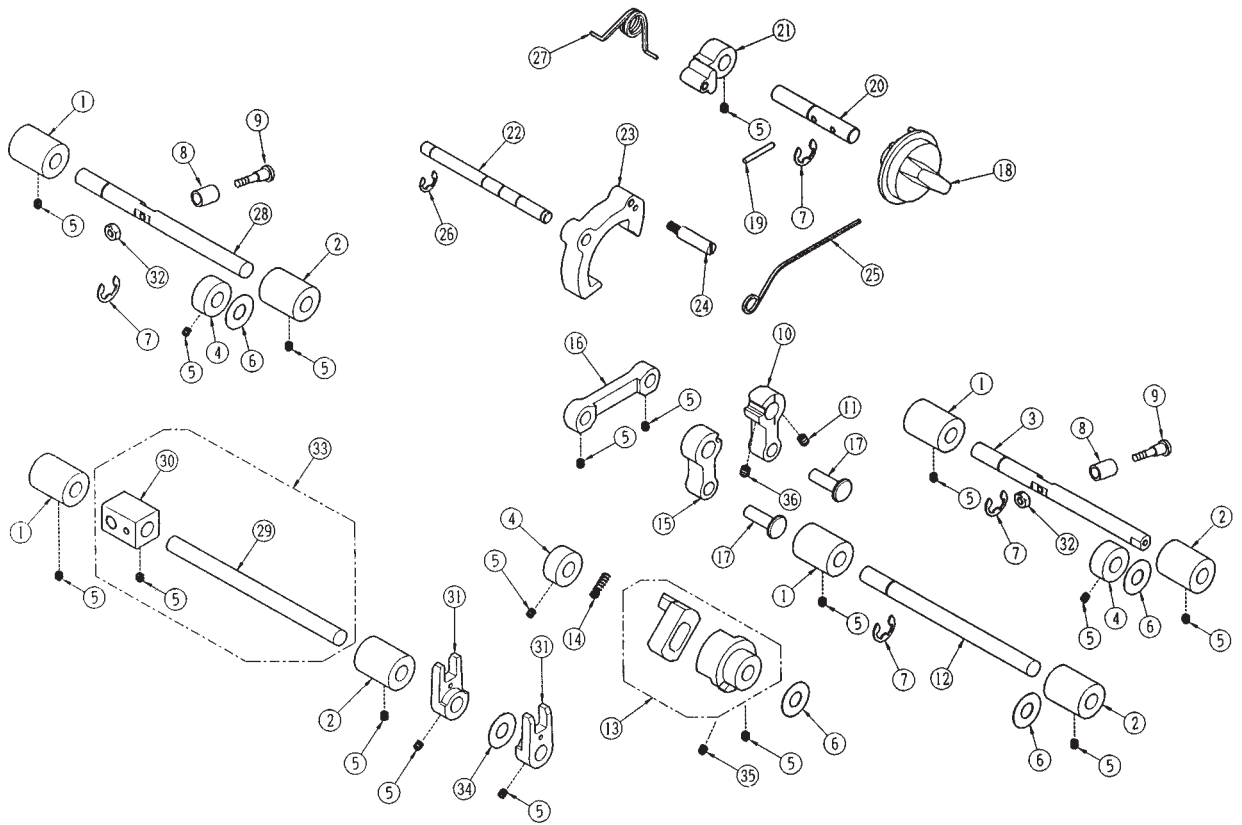
Ref. No.	Part No.	Name
1	888614009	Feed mechanism unit
2	888069003	Main feed bar
3	888070007	Main feed dog
4	888071008	Main feed dos bracket
5	000104201	Setscrew
6	888072009	Main feed bar driving arm
7	787055000	Pin
8	888073000	Sub feed bar
9	888074001	Sub feed dog
10	000066705	Setscrew
11	888075002	Sub feed bar driving arm
12	000111902	Hexagon socket screw
13	888076003	Feed driving arm pin
14	000002909	Snap ring
15	787065003	Feed bar link
16	787066004	Horizontal feed link
17	787068006	Link pin
16	000111201	Hexagon socket screw
19	787059004	Sub feed link pin
20	787210005	Block
21	787071002	Thrust plate
22	787189004	Setscrew
23	787072003	Main feed drive cam
24	787073004	Sub feed drive cam
25	888077004	Set plate
26	000081005	Setscrew



Ref. No.	Part No.	Name
1	888615000	Feed regulator unit
2	888078005	Main shaft supporting plate
3	888079006	Sub feed connecting arm
4	787301004	Spring
5	787076007	Pin
6	787067005	Feed bar link
7	787195014	Pin
8	787193001	Sub feed connecting arm(2)
9	888080000	Sub feed connecting rod
10	000001609	Snap ring
11	787081005	Feed connecting link
12	000002105	Snap ring
13	000115607	Setscrew(000115618)
14	625144002	Bushing
15	000111201	Hexagon socket screw
16	888616001	Main feed connecting arm unit
17	787197005	Main feed connecting arm(2)
18	888081001	Main feed connecting rod
19	888638009	Side cover for U.S.A.
	888638102	Side cover for Canada
	888638205	Side cover unit
20	888190004	Side cover
21	888191005	Spring
22	000149002	Setscrew
23	830312016	Sticker for U.S.A.
23	100045000	Sticker for Canada
24	888650007	Cover Supporter unit
25	888213004	Coversupporter
26	763033020	Strings
27	888246006	Felt
28	000115216	Setscrew
29	888234001	Set plate
30	000081016	Setscrew
31	000188405	Nylon clip
32	888192006	Hinge plate
33	888193007	Pin
34	000014007	Snap ring
35	888214005	Hinge set plate
36	000081005	Setscrew
37	000101415	Setscrew
38	000101404	Setscrew
39	787195003	Pin

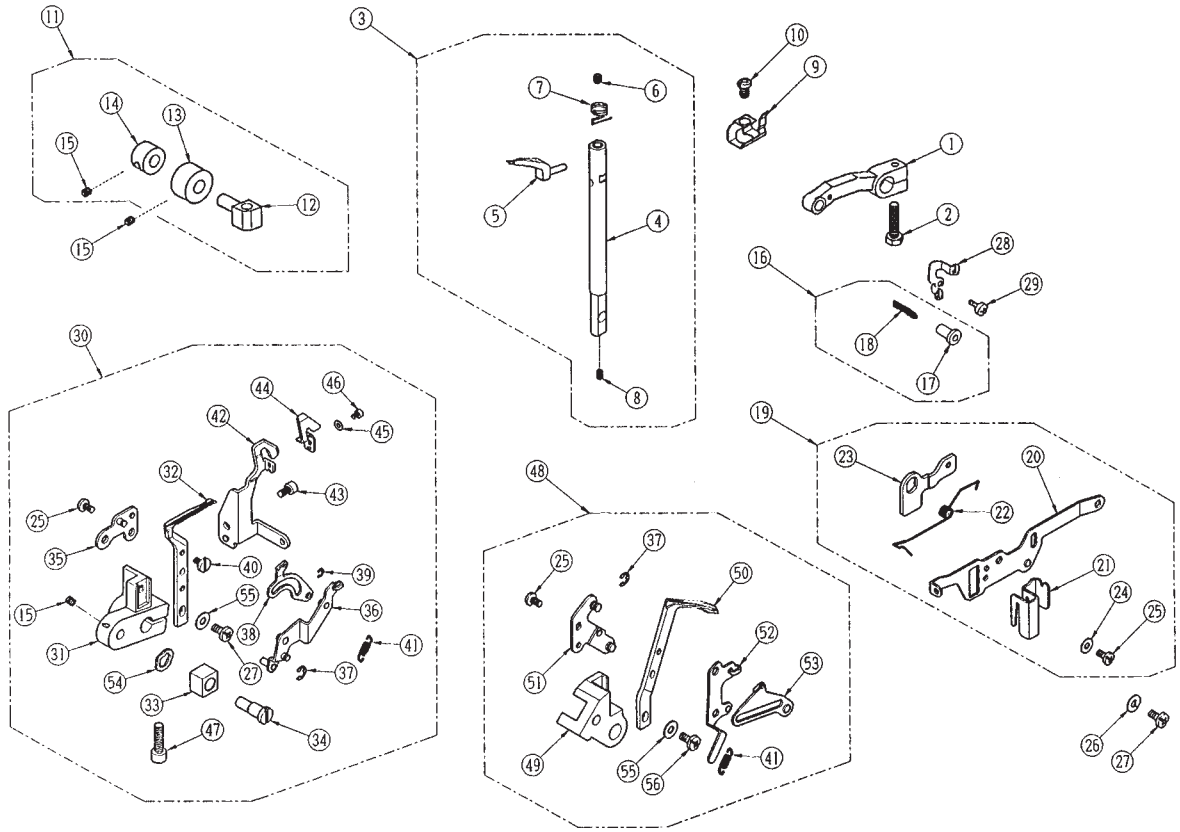


Ref. No.	Part No.	Name
1	788607006	Main feed connecting arm unit
2	788029008	Main feed connecting arm
3	000111201	Hexagon socket screw
4	788030002	Feed connecting plate
5	788031003	Differential regulating arm
6	000002105	Snap ring
7	788032004	Sub feed connecting arm
8	888617002	Feed adjuster bracket unit
9	888082002	Frame
10	888083003	Feed adjuster arm
11	785224006	Adjusting screw
12	000160102	Nut
13	000036500	Washer
14	785156006	Base plate
15	000001609	Snag ring
16	888084004	Differential feed adjuster rod
17	785286006	Hinge screw
18	785222004	Set plate
19	888085005	Feed adjuster cam
20	888086006	Differential feed adjuster cam
21	787261609	Stitch length dial
22	000116206	Washer
23	000115205	Setscrew
24	787262301	Dial cover
25	787263003	Spring
26	000081119	Setscrew
27	785382003	Connecting rod
28	888527004	Feed volume unit
29	888527107	Differential feed volume unit
30	000007409	Washer
31	888090003	Volume bracket
32	888088008	Volume sear
33	000014306	Snag ring
34	000081005	Setscrew
35	888091004	Feed rod
36	787259006	Spring
37	000053101	Binder(000053008)
38	000053101	Binder
39	888245005	Panel set plate
40	000115401	Setscrew
41	000070506	Washer
42	000101404	Setscrew





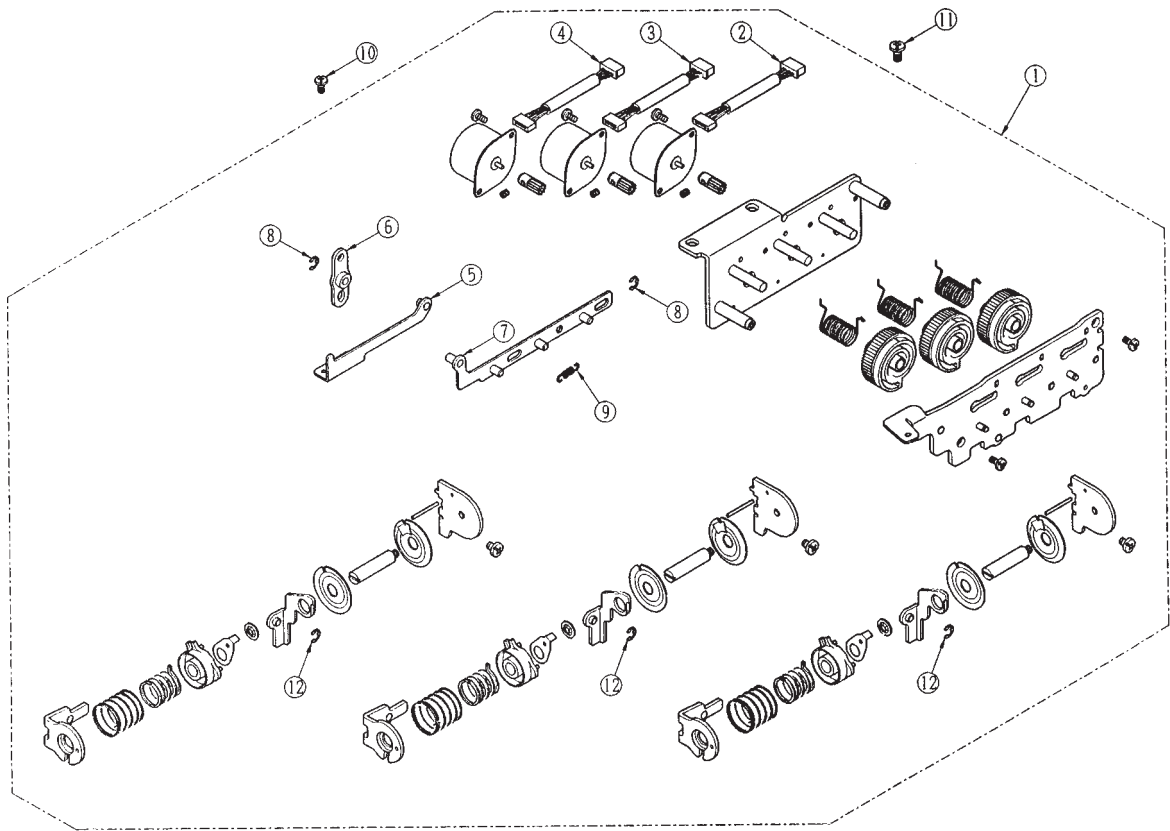
Ref. No.	Part No.	Name
1	784071003	Bushing
2	784164004	Bushing
3	888092005	Upper looper crank shaft (right)
4	820166001	Looper thrust ring (787106007)
5	000111201	Hexagon socket screw
6	000038502	Washer
7	000002909	Snag ring
8	787107008	Crank spacer ring
9	787108009	Hinge screw
10	888093006	Looper connecting arm (right)
11	000111304	Hexagon socket screw
12	888094007	Upper looper crank shaft (left)
13	888537007	Looper adjuster unit
14	888097000	Spring
15	888098001	Looper connecting arm (left)
16	888099002	Looper connecting link
17	888100007	Link pin
18	888101008	Upper looper positioning dial
19	000019909	Spring pin
20	888102009	Dial shaft (right)
21	888103000	Looper disengage arm (right)
22	888104001	Disengage arm (left)
23	888105002	Looper disengage arm (left)
24	888051002	Detection arm shaft
25	888243003	Spring
26	000001609	Snap ring
27	888106003	Spring
28	888111001	Lower looper crank shaft
29	888020002	Double chain looper shaft
30	888124007	Block
31	888133009	Sliding block
32	000062402	Nut
33	888660000	Double chain looper shaft unit
34	000038808	Washer
35	000110200	Hexagon socket screw
36	000110107	Hexagon socket screw



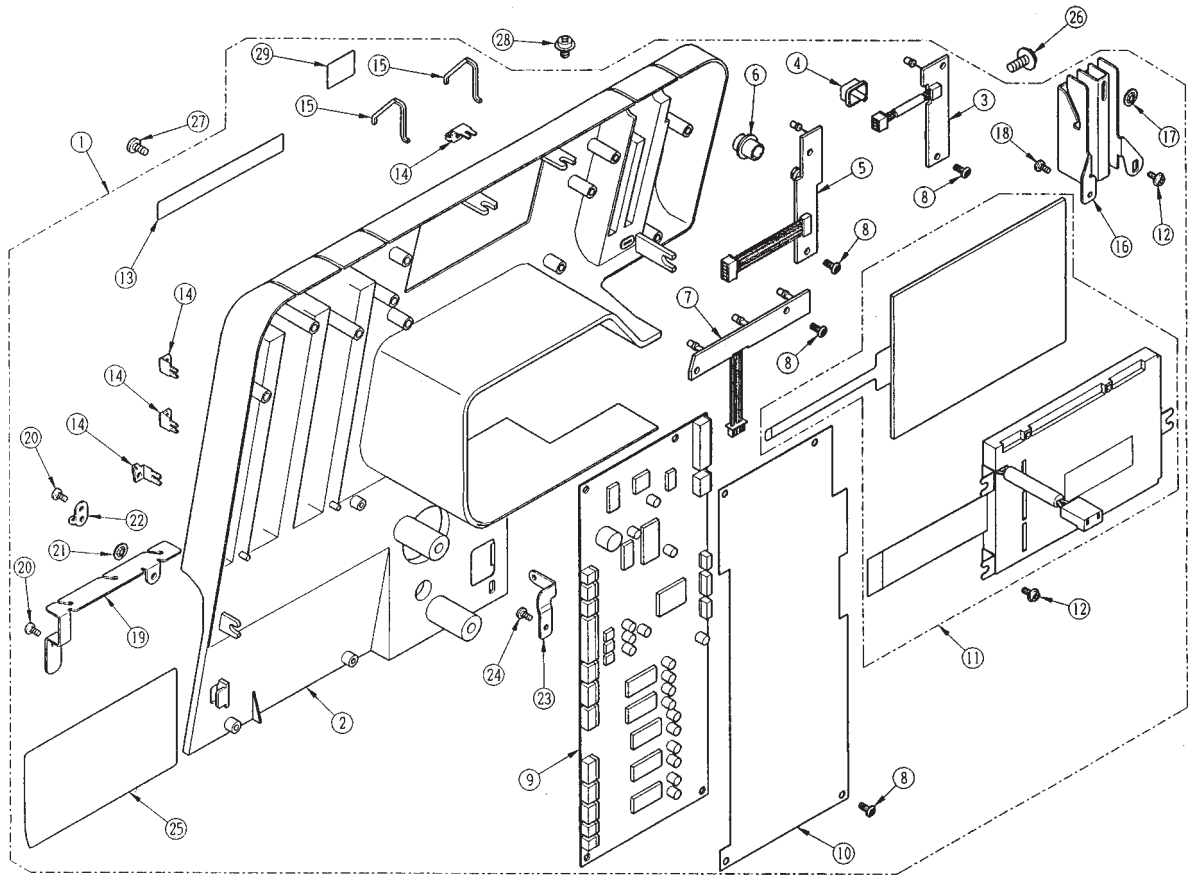
Ref. No.	Part No.	Name
1	787109000	Upper looper driving arm
2	000138008	Hexagonal bolt
3	888621009	Upper looper shaft unit
4	888107004	Upper looper shaft
5	784076802	Upper looper (784076019)
6	000112501	Hexagon socket screw
7	784077009	Upper looper thread guide (3)
8	000177205	Hexagon socket screw
9	888122005	Spreader holding plate
10	788041006	Setscrew
11	787619008	Upper looper shaft guide unit
12	787112006	Upper looper shaft guide
13	787113007	Bushing
14	787106007	Ring
15	000111201	Hexagon socket screw
16	787632007	Upper 1ooper pin unit
17	787115009	Upper 1ooper pin
18	787192000	String
19	888622000	Double chain take-up lever unit
20	888108108	Double chain take-up lever
21	888109109	Check spring cover
22	888110000	Check spring
23	888236003	Looper thread take-up lever set plate
24	000072704	Washer
25	000101116	Setscrew
26	000007513	Washer
27	000104005	Setscrew
28	788038000	Looper thread guide
29	000078320	Setscrew
30	888623001	Lower looper bracket unit
31	888112002	Lower looper bracket
32	888123017	Lower looper (888123006)
33	888113003	Block
34	888114004	Pin
35	888115005	Threader set plate
36	888116109	Threader supporter
37	000002105	Snap ring
38	888117007	threader thread guide
39	000002301	Snag ring
40	888118008	Setscrew
41	888119009	Threader spring
42	888120106	Rear needle guard
43	000084503	Hexagonal bolt
44	888121004	Front needle guard
45	000070805	Washer
46	000099707	Hexagonal bolt
47	000099109	Hexagonal bolt
48	888624002	Double chain looper bracket unit
49	888127000	Double chain looper bracket
50	888128104	Double chain looper
51	888129002	Threader set date
52	888130109	Threader supporter
53	888131007	Threader thread guide
54	000116206	Washer
55	000073200	washer
56	000103004	Setscrew



Ref. No.	Part No.	Name
1	888626004	Thread tension set plate unit
2	888509402	Cable unit (yellow)
3	888509309	Cable unit (red)
4	000001207	Snap ring
5	888141000	Thread tension releasing arm
6	888154006	Thread tension releasing link
7	888155007	Thread tension releasing connecting arm
8	000002105	Snag ring
9	888156008	Thread tension releasing adjusting plate
10	000078319	Setscrew (000101105)
11	000081005	Setscrew

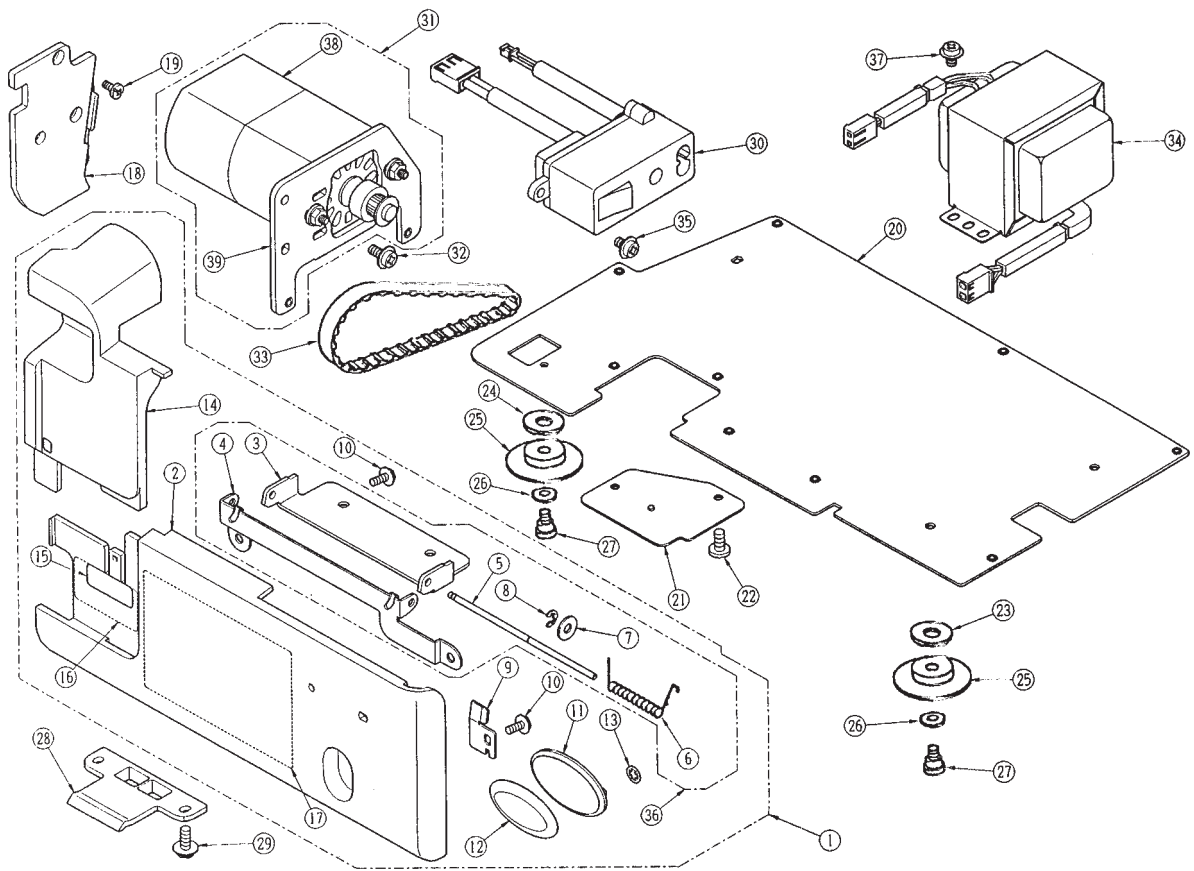


Ref. No.	Part No.	Name
1	888628006	Thread tension set plate unit
2	888509000	Cable unit (yellow)
3	888509103	Cable unit (red)
4	888509206	Cable unit (white)
5	888159001	Thread tension releasing arm
6	888160005	Thread tension releasing connecting arm
7	888161006	Thread tension releasing connecting plate
8	000002105	Snag ring
9	888223007	Spring
10	000101105	Setscrew
11	000081005	Setscrew
12	000001207	Snap ring

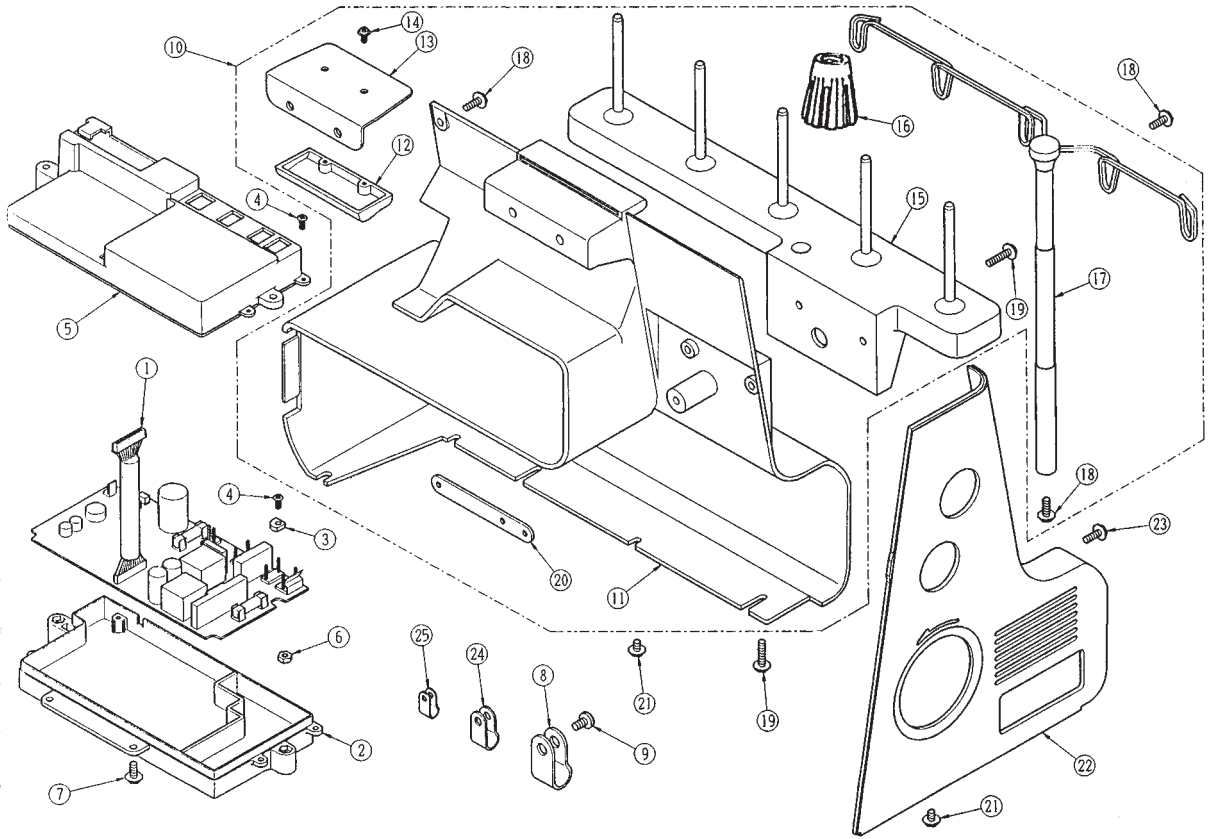




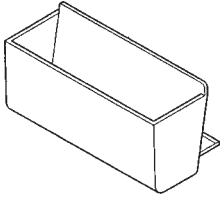
Ref. No.	Part No.	Name
1	888630012	Front cover unit
2	888162100	Front cover
3	888510004	Board D1
4	888163101	Button
5	888511005	Board D2
6	888164009	Knob
7	888512006	Board D3
8	000120203	Setscrew
9	888513203	Board A (888513100)
10	888165000	Board A cover seat
11	888631002	LCD unit
12	000149301	Setscrew
13	888166001	Sticker
14	787131001	Upper looper thread guide
15	888167002	Needle thread guide
16	888168003	Thread take-up lever cover
17	000013707	Snag ring
18	000066727	Setscrew
19	888169004	Looper thread guide
20	000120214	Setscrew
21	000014317	Snag ring
22	888170101	Double chain thread guide
23	888135001	Double chain thread guide
24	000078320	Setscrew
25	888171009	Threading chart
26	000115607	Setscrew
27	000103417	Setscrew
28	000115009	Setscrew
29	888261007	Sticker (English)



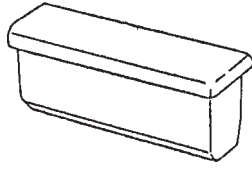
Ref. No.	Part No.	Name
1	888636007	Looper cover unit for U.S.A.
	888636100	Looper cover unit for Canada
2	888181105	Looper cover
3	888182003	Looper cover supporter
4	888183004	Looper cover hinge
5	888184005	Pin
6	784122000	Spring
7	000071013	washer
8	000002105	Snap ring
9	888185006	Stopper
10	000149301	Setscrew
11	832065006	Emblem frame
12	832209015	Emblem(832209004)
13	000014018	Snap ring
14	888204105	Extension table (A)
15	830312016	Sticker for U.S.A.
	100045000	Sticker for Canada
16	888205003	Sticker
17	888186007	Stitch chart
18	888187008	Looper cover guide
19	000078320	Setscrew
20	888188009	Machine base
21	888232009	Machine base cover
22	000101404	Setscrew
23	785260004	Washer
24	787204006	Washer
25	784135006	Cushion
26	000070300	Washer
27	784169009	Hinge screw
28	888189000	Supporter
29	000115618	Setscrew
30	888518002	Machine socket
31	888519003	Motor unit for U.S.A.
	888529006	Motor unit for Canada
32	000115504	Setscrew
33	784124002	Timing belt
34	888520007	Transformer unit
35	000115607	Setscrew
36	888637008	Looper cover hinge unit
37	000115205	Setscrew
38	888639000	Motor unit for U.S.A.
	888639309	Motor unit for Canada
39	888195009	Motor set plate



Ref. No.	Part No.	Name
1	888521008	Board C
2	888195000	Board C case (1)
3	888197001	Spacer
4	000120214	Setscrew
5	888198002	Board C case (2)
6	000061205	Nut
7	000115607	Setscrew
8	000188014	Nylon crip
9	000081005	Setscrew
10	888633004	Rear cover unit
11	888178109	Rear cover
12	888215006	Guide plate
13	888216007	Handle supporter
14	000149002	Setscrew
15	888212003	Spool stand
16	000115216	Spool holder (784223105)
17	888635006	Spool stand unit
18	000115700	Set scerw
19	000201014	Setscrew
20	888180001	Spool stand set plate
21	000115216	Setscrew(000115205)
22	888203104	Belt cover
23	000115618	Setscrew
24	000188405	Nylon crip
25	000188209	Nylon crip



1



2



3



4



5



6



7



8



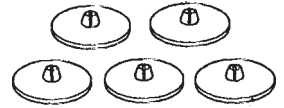
9



10



11



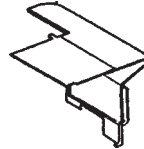
12



13



14



15



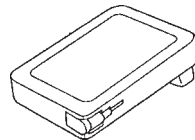
16



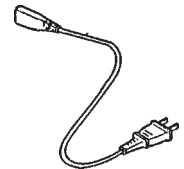
17



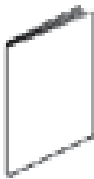
18



19



20



17

Ref. No.	Part No.	Name
1	888199003	Chip box
2	785807102	Accessory box
3	888803007	Accessory box unit
4	784810002	Screw driver (large)
5	820833006	Screw driver (small)
6	741814003	Oil
7	888809003	Set of needles (size 14)
8	888810007	Set of needles (size 11)
9	802424004	Lint brush
10	784809008	Spanner/wrench
11	888804008	Tweezers
12	822020503	Spool holder
13	624806006	Net
14	788011007	Upper knife
15	888652009	Extension table (B)
16	888522009	Presser foot (cover stitch)
17	888200008	Needle plate (cover stitch)
18	888644008	Spreader unit
19	043271111	Foot control
20	653524007	Power supply cord
21	200254007	Needlethreader
22	888802006	Instruction book (English)
	888802017	Instruction book (Norwegian)
	888802039	Instruction book (Spanish)
	888802040	Instruction book (French)