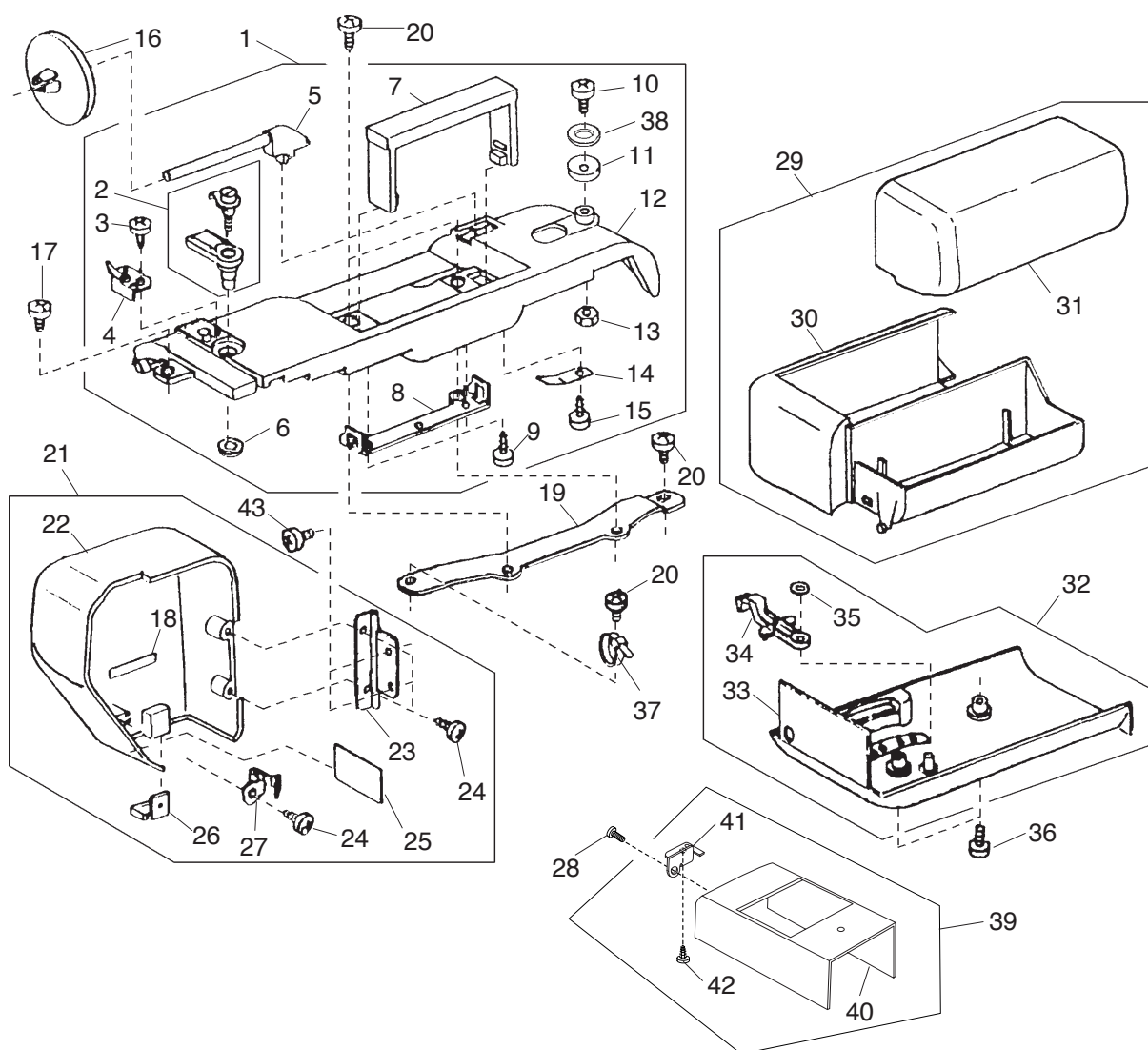


PARTS LIST

MODEL DC2010

JANOME

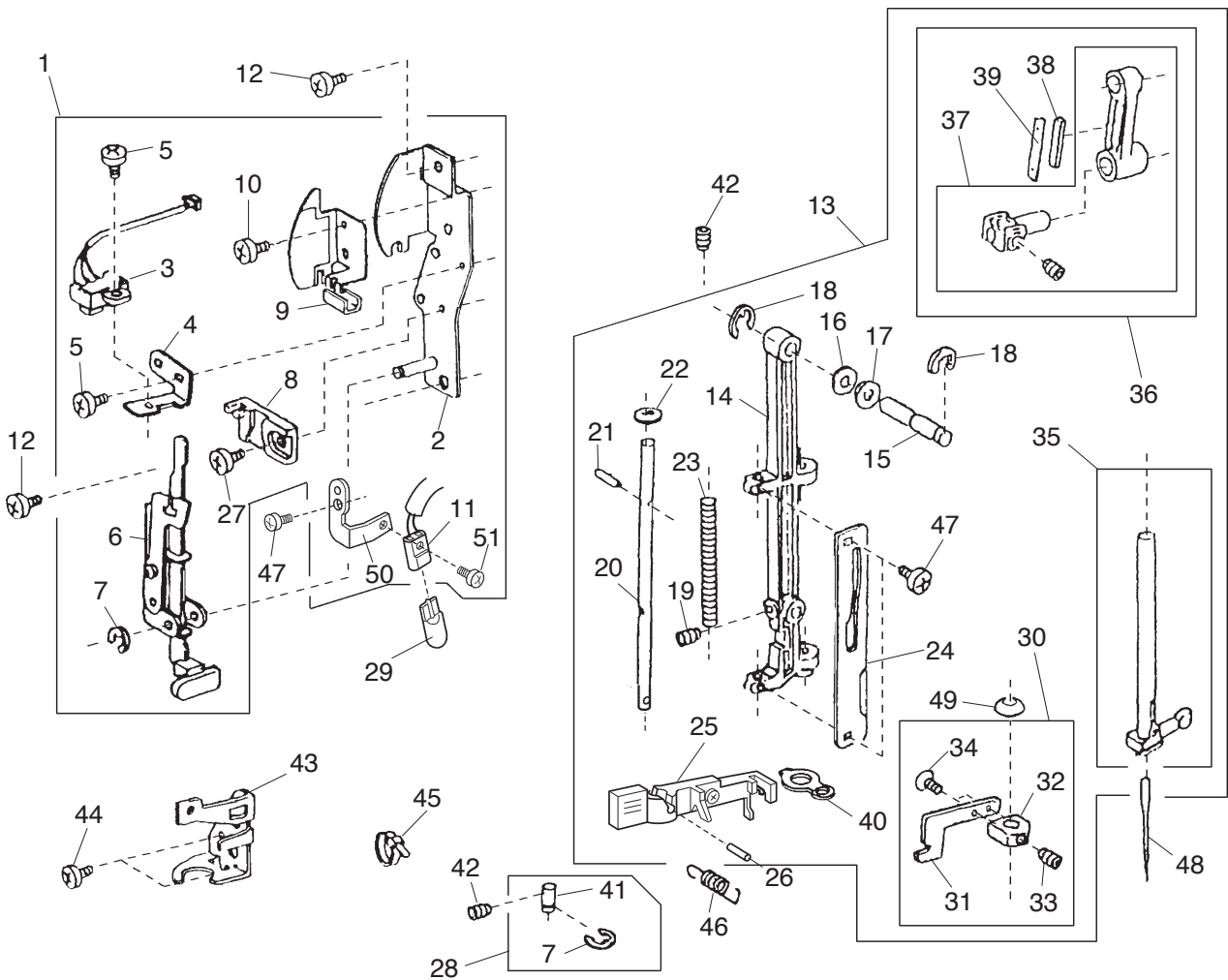
PARTS LIST



PARTS LIST

KEY NO.	PARTS NO.	DESCRIPTION
1	828603308	Top cover unit
2	650503702	Thread guide unit
3	000162001	Set screw 2.6x5
4	827503005	Top cover thread guide
5	505067005	Spool pin
6	000014409	Snap ring CS-8
7	827014004	Handle
8	827015005	Set plate
9	000161206	Setscrew 3x10B
10	000103107	Setscrew 4x14
11	735016307	Bobbin winder stopper
12	828008031	Top cover
13	000061205	Nut 4-3
14	822018003	Spool pin spring
15	000107318	Setscrew 3x8B
16	822020503	Spool holder
17	810220003	Setscrew
18	830312016	Cautional sticker
19	827016017	Top cover set plate
20	000081005	Setscrew 4x8
21	842602035	Face plate unit
22	842002800	Face plate
23	366501102	Face plate hinge
24	000161206	Set screw 3x10B
25	827099003	Face plate sticker
26	840602006	Thread cutter unit
27	731067002	Face plate spring
28	000101404	Setscrew 4x6
29	842501000	Extension table unit
30	842016003	Extension table
31	842017004	Extension cover
32	827602108	Bed cover unit
33	827004104	Bed cover
34	753005000	Drop lever
35	000013903	Snap ring CS-5
36	000101703	Setscrew 4x12
37	000053008	Cord binder
38	000071013	Washer
39	659601007	Free arm cover unit
40	659001001	Free arm cover
41	756004008	Free arm cover set plate
42	000120203	Tapping screw 3x8B
43	000077503	Setscrew 4x6

PARTS LIST



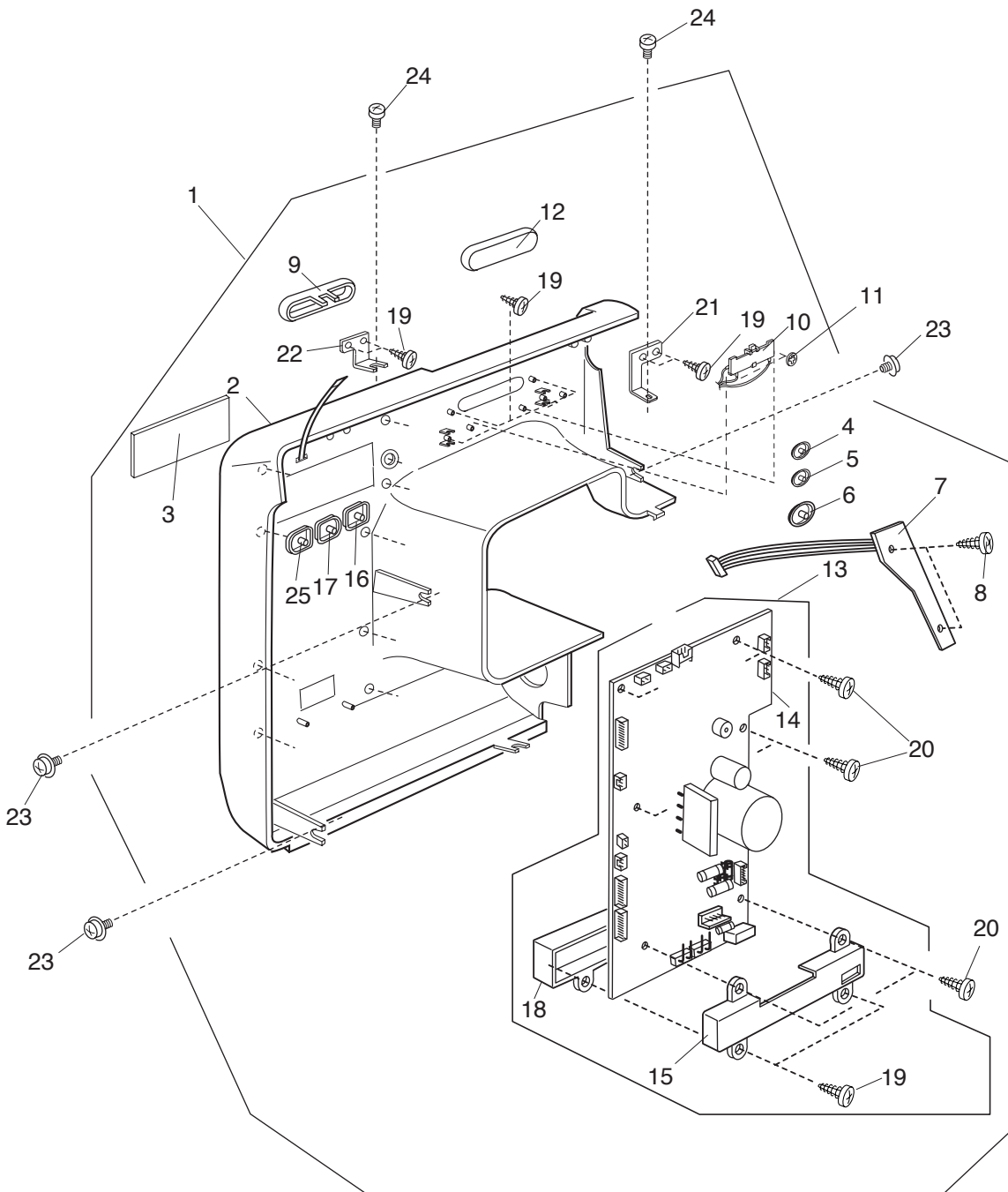
PARTS LIST

KEY NO.	PARTS NO.	DESCRIPTION
1	843623208	Front set plate unit
2	827028012	Front set plate
3	843502004	Photo interrupter unit
4	843009006	Sensor set plate
5	000101105	Setscrew 3x5
6	843625004	BH lever unit
7	000002105	Snap ring E-3
8	830057010	BH lever guide
9	827029013	Cord guide plate
10	652203004	Setscrew 3x3.5
11	843508000	Lamp socket unit
12	000081005	Setscrew 4x8
13	843642007	Needle bar supporter unit
14	827026009	Needle bar supporter
15	730022002	Needle bar supporter pin
16	673022002	Spring washer
17	000070609	Plain washer 6
18	000002507	Snap ring E-4
19	000111902	Hexagonal socket screw 3x4
20	840036003	Threader shaft
21	000122906	Guide pin
22	734107004	Base plate
23	827091005	Threader shaft spring
24	653036029	Threader guide plate
25	639643009	Needle threader plate unit
26	000003508	Spring pin 2x8
27	000103808	Setscrew 3x5
28	842625001	Supporter guide plate pin unit
29	000026002	Wedge base lamp 12V 5W
30	734625003	Threader set plate unit
31	734101008	Threader set plate
32	734102009	Threader base plate
33	000111902	Hexagonal socket screw 3x4
34	000097602	Setscrew 2x4
35	653503103	Needle bar unit
36	653612003	Needle bar conn. stud unit
37	653504001	Needle bar conn. stud unit
38	650040005	Felt
39	650041006	Felt set spring
40	829027006	Supporter guide plate
41	827083004	Supporter guide plate pin
42	000111201	Hexagonal socket screw 4x4
43	843038004	Lamp set plate
44	000101507	Setscrew 3.5x5
45	000053008	Cord binder
46	756063005	Supporter spring
47	000101105	Setscrew 3x4
48	102408089	Needle HA1-14
49	827098002	Washer
50	843055007	Lamp set plate (2)
51	000115308	TP setscrew 2x8

PARTS LIST

KEY NO.	PARTS NO.	DESCRIPTION
1	843643101	Upper shaft unit
2	000172602	Setscrew 5x8
3	731384008	Felt
4	000110901	Setscrew 5x4
5	000111706	Setscrew 5x8
6	000101703	Setscrew 4x12
7	000101404	Setscrew 4x6
8	842511209	Thread tension unit
9	000111304	Setscrew 5x5
10	830095010	Upper shaft shield plate
11	820102009	Washer
12	000081005	Setscrew 4x8
13	820511108	Thread take-up lever unit
14	650626001	Pin unit
15	650062003	Pin
16	000001702	Snap ring E-6
17	000111201	Setscrew 4x4
18	673062004	Upper shaft rear bushing
19	756017004	Upper shaft timing gear
20	000020501	Spring pin 3x20
21	000024206	Spring pin 3x30
22	502064003	Clutch ring
23	502065004	Clutch spring
24	844050016	Belt wheel
25	000030205	Snap ring E-8
26	844077802	Handwheel
27	650071005	Timing belt
28	653139012	Timing belt
29	652512009	Needle bar crank pin (unit)

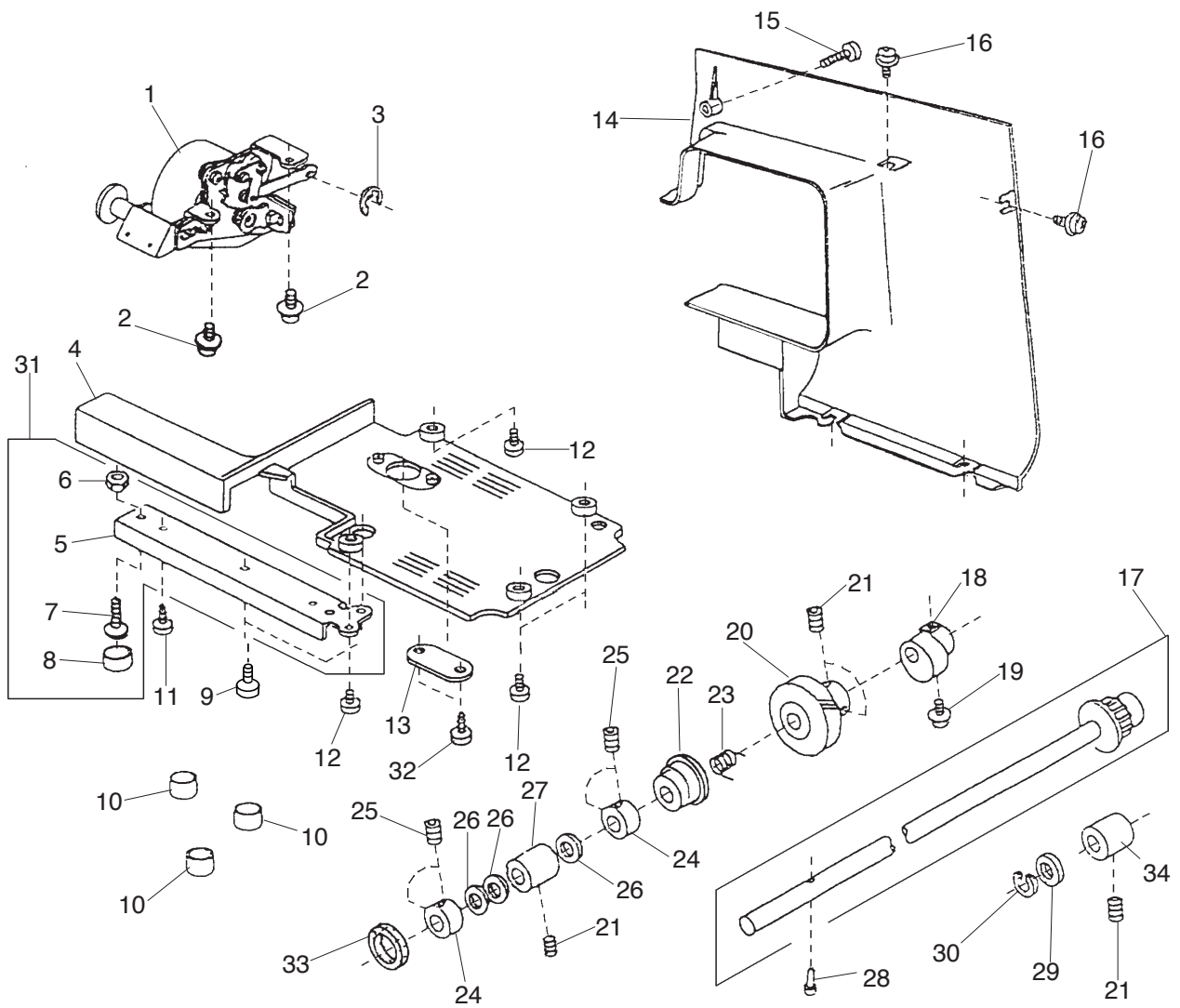
PARTS LIST



PARTS LIST

KEY NO.	PARTS NO.	DESCRIPTION
1	843641408	Front cover (unit)
2	843114142	Front cover
3	842059400	Indicator window
4	843026803	Button(1)
5	843026906	Button(1)
6	842048222	Button
7	842512107	Print board F (unit)
8	000161103	Setscrew 3x6B
9	841017001	Slide lever
10	653507211	Slide volume (unit)
11	000014306	Snap ring CS-3
12	751273005	Slide lever cover
13	843610707	Printed circuit board A (unit)
14	843542109	Printed circuit board A (unit)
15	843021107	Printed circuit board A case (1)
16	842062200	Button (2)
17	842061302	Button
18	843020106	Printed circuit board A case (2)
19	000120203	Setscrew 3x8B
20	000161206	Setscrew 3x10B
21	842014001	Front cover set plate (front)
22	841019003	Front cover set plate (rear)
23	000115205	Tapping screw 4x6
24	000101404	Setscrew 4x6
25	842061405	Button

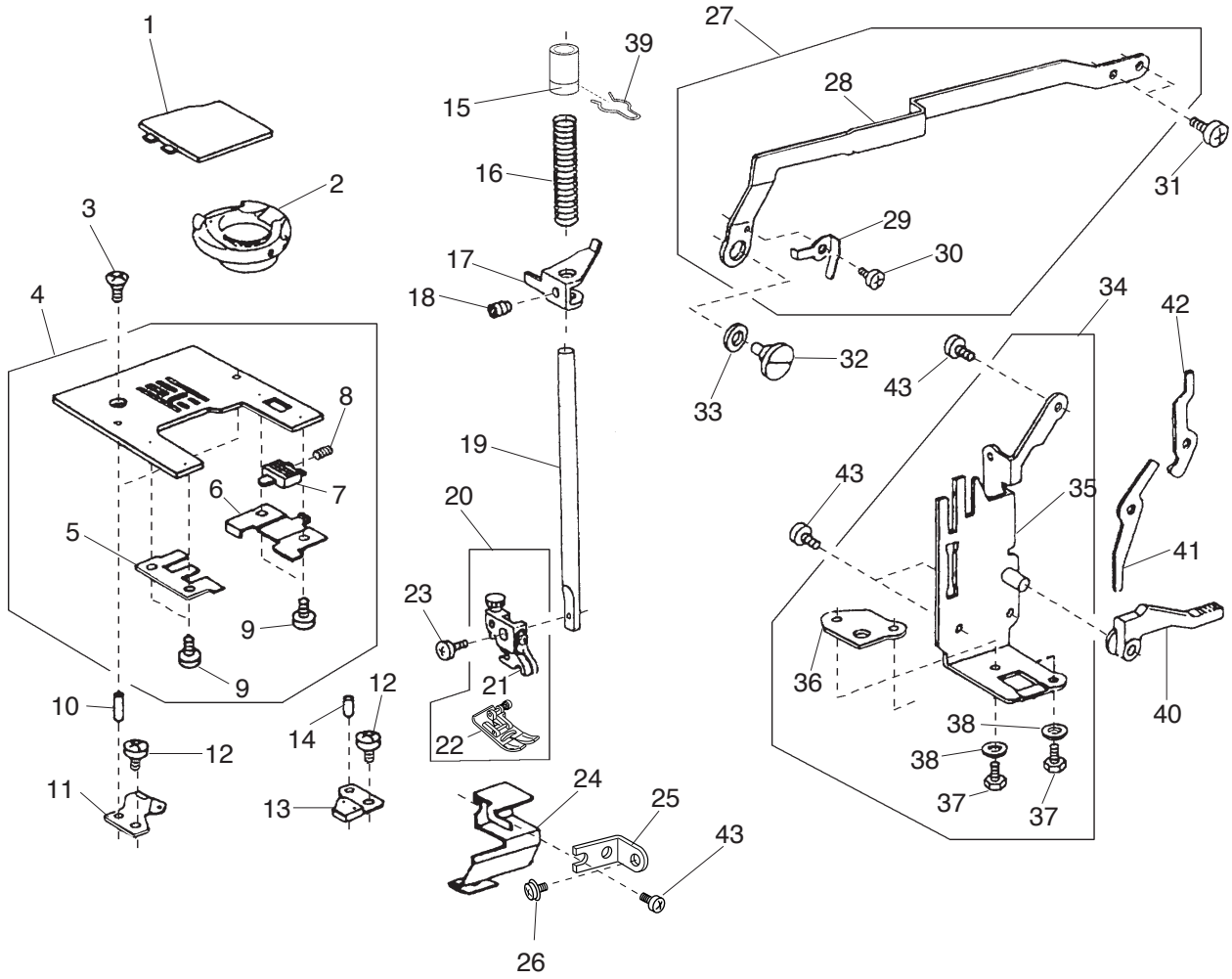
PARTS LIST



PARTS LIST

KEY NO.	PARTS NO.	DESCRIPTION
1	843606102	Stepping motor (feed) unit
2	000115205	Setscrew 4x6
3	000002105	Snap ring E-3
4	827003000	Base
5	827002103	Arm leg
6	000061412	Nut
7	000097901	Setscrew 5x18
8	735002001	Rubber foot
9	000066808	Setscrew 6x14
10	647009002	Bed rubber foot
11	000161206	Setscrew 3x10
12	000103509	Setscrew 4x10
13	824058001	Base cover
14	842001407	Rear cover
15	000104119	Setscrew 4x20
16	000115205	Setscrew 4x6
17	751612206	Lower shaft unit
18	751148000	Feed cam
19	000115009	TP setscrew 3x8
20	650955002	Lower shaft toothed wheel
21	000111304	Hexagon socket screw 5x5
22	753183025	Feed lifting cam
23	686035008	Feed lifting cam spring
24	820166001	Ring
25	000111201	Hexagonal socket screw 4x4
26	000038502	Washer
27	650078002	Bushing (front)
28	820161006	Pin
29	822070003	Felt (1)
30	822112008	Felt holder (1)
31	827601107	Arm leg unit
32	000107318	Setscrew 3x8B
33	735143005	Felt
34	650079003	Lower shaft bushing (rear)

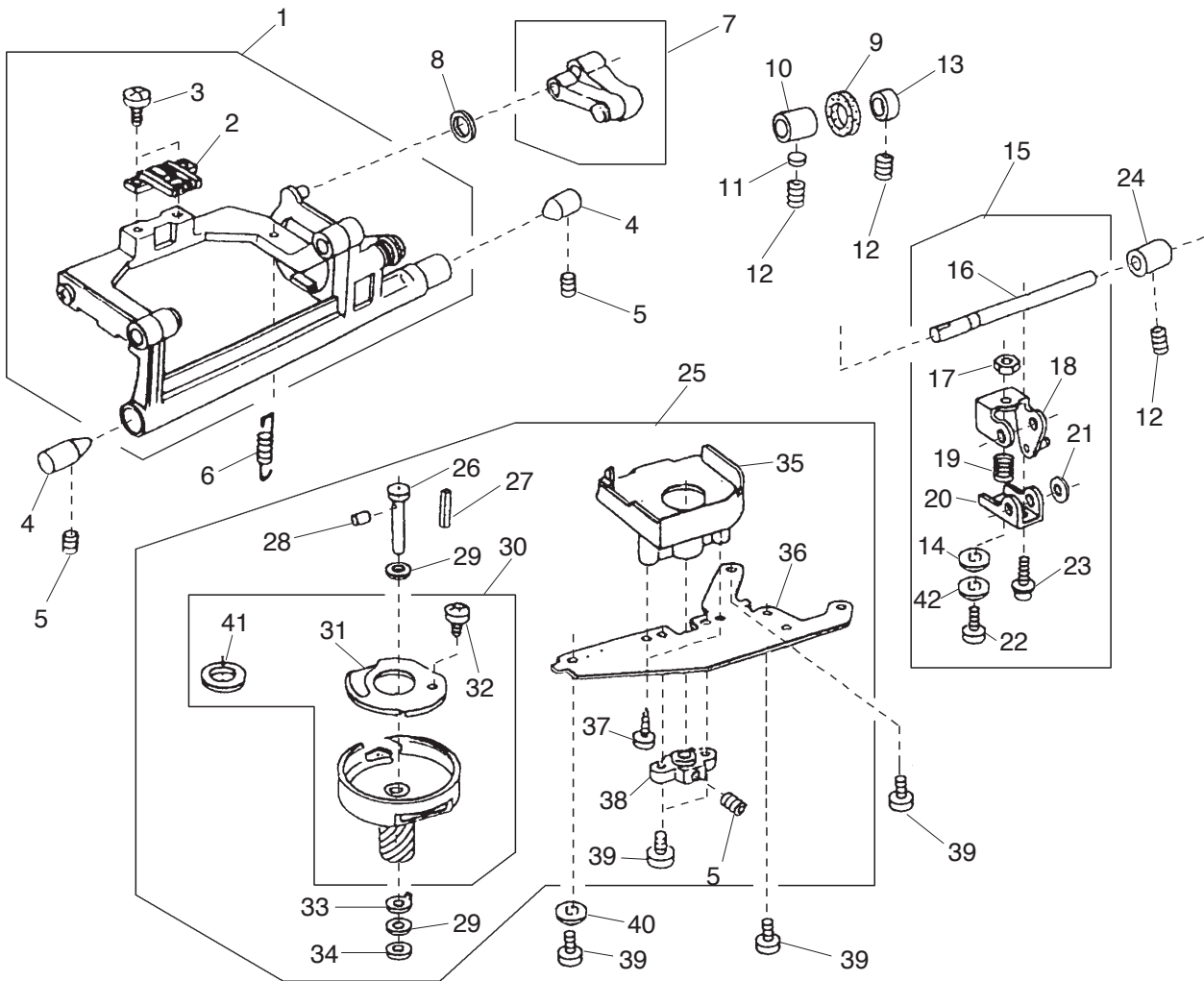
PARTS LIST



PARTS LIST

KEY NO.	PARTS NO.	DESCRIPTION
1	750036012	Slide plate
2	627569209	Bobbin holder
3	681009101	Plain screw
4	756604107	Needle plate unit
5	752005007	Slide plate set plate (left)
6	825015010	Slide plate set plate (right)
7	825016000	Slide block
8	825017001	Slide block spring
9	820374004	Setscrew 2x2.3
10	000122504	Guide pin
11	827011001	Reverse rotation stopper
12	810220003	Setscrew
13	627567001	Rotation stopper
14	000122700	Guide pin
15	802021007	Presser bar bushing
16	730026006	Presser bar spring
17	735028003	Presser bar bracket
18	000111500	Hexagonal socket screw
19	827021004	Presser bar
20	829515006	Presser foot unit
21	804509000	Presser foot holder unit
22	832523007	Zigzag foot unit
23	660106001	Thumb screw
24	827036002	Arm thread guide
25	827037003	Front panel set plate
26	000115205	TP setscrew 4x6
27	827622012	ZZ rod unit
28	827055018	ZZ rod
29	827088009	ZZ rod spring
30	820373003	Setscrew 2x3
31	000078319	Setscrew 3x6
32	678084007	Eccentric pin
33	653037008	Washer
34	827608012	Presser bar base unit
35	827020014	Presser bar base
36	827082003	Presser bar set plate
37	000066303	Bolt 4x6
38	000070908	Washer 4
39	802022008	Snap retainer
40	735029004	Presser foot lever
41	827022005	Tension release lever (1)
42	827023006	Tension release lever (2)
43	000081005	Setscrew 4x8

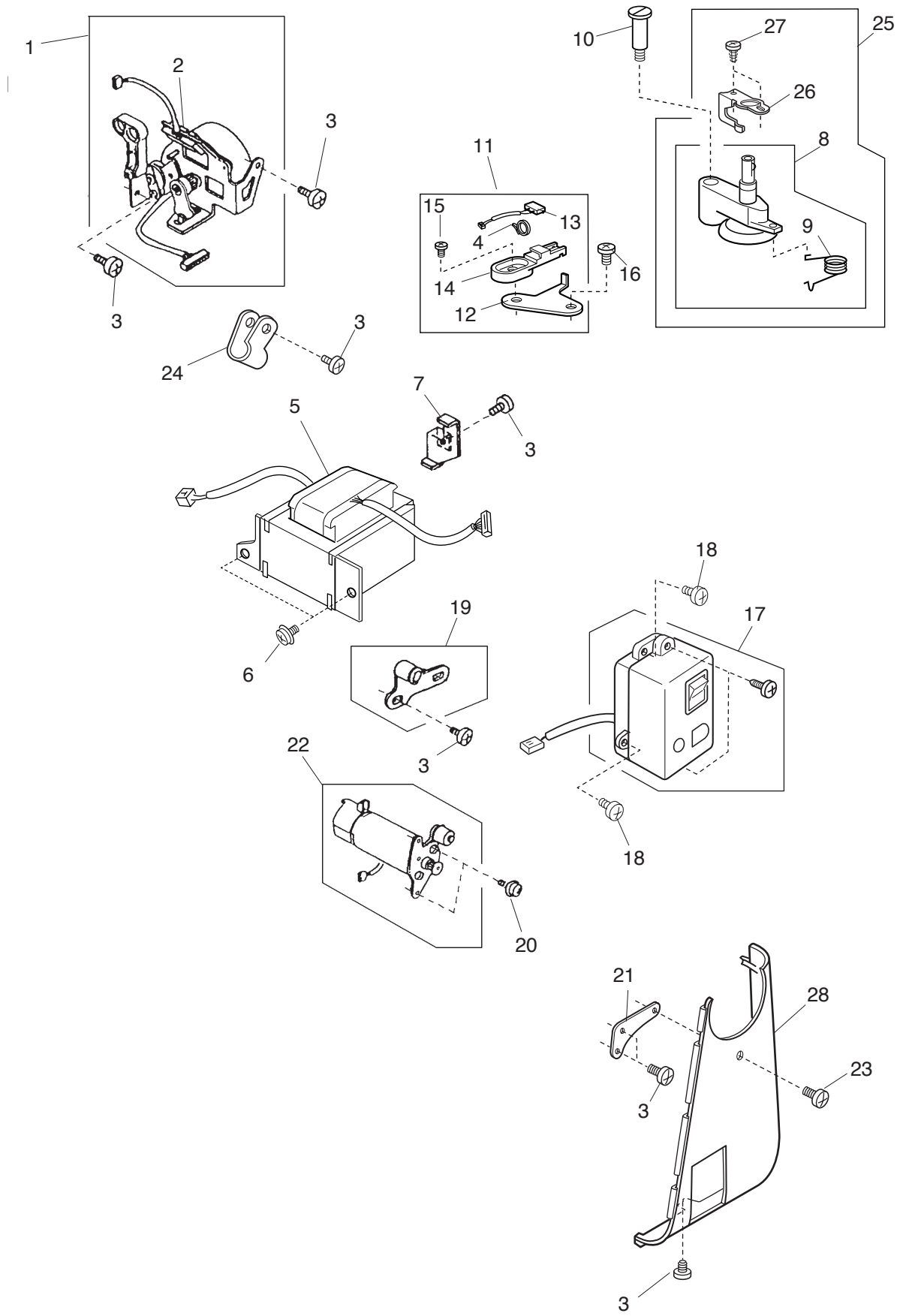
PARTS LIST



PARTS LIST

KEY NO.	PARTS NO.	DESCRIPTION
1	834527100	Feed rock shaft unit
2	840005003	Feed dog
3	000104005	Setscrew 3.5x8
4	738055008	Center screw
5	000111304	Hxagonal socket screw 5x5
6	650085002	Spring
7	650612004	Feed adjuster unit
8	000036603	Washer
9	823110009	Felt
10	625144002	Bushing (front)
11	650175000	Washer
12	000111201	Hexagonal socket screw 4x4
13	820387000	Ring
14	000071013	Plain washer 4
15	840603007	Feed shaft unit
16	840006004	Feed shaft
17	000160102	Adjustable nut 4
18	825261002	Feed adjusting arm 2
19	589040002	Spring
20	827043105	Feed adjusting arm 1
21	810207004	Spring washer
22	827086007	Feed adjusting arm screw
23	000115906	TP setscrew
24	650092002	Bushing (rear)
25	827614033	Hook race unit
26	820123006	Hook race shaft
27	820124007	Oil string 1
28	820125008	Oil string 2
29	000038409	Washer
30	650623008	Hook body unit
31	627191000	Thread guard
32	820374004	Setscrew 2x2.3
33	627192001	Washer
34	625102008	Washer
35	827040009	Cover
36	823106002	Hook race set plate
37	000107204	Setscrew 3x12B
38	650094004	Hook race shaft base
39	000081005	Setscrew 4x8
40	000070506	Washer
41	627190010	Magnet
42	000036407	Thrust washer FT50

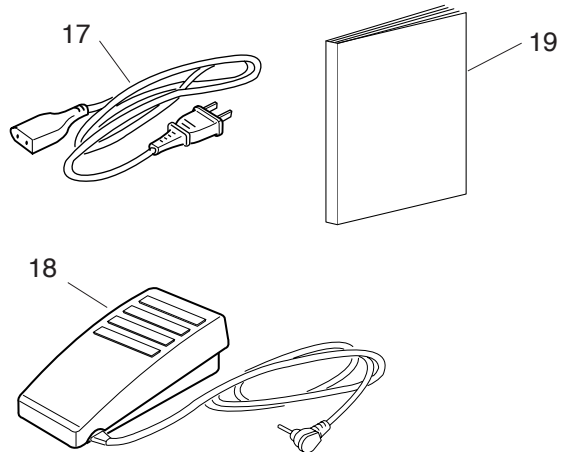
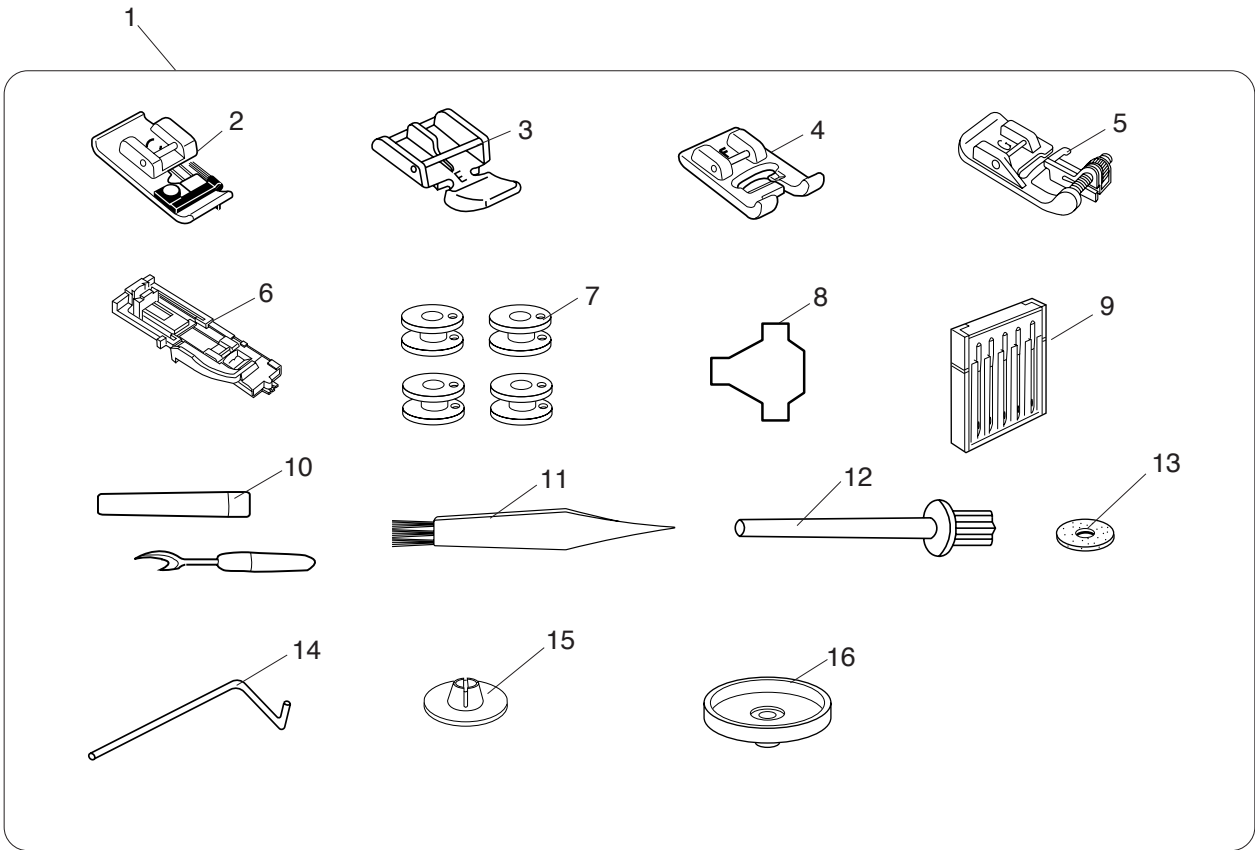
PARTS LIST



PARTS LIST

KEY NO.	PARTS NO.	DESCRIPTION
1	843608104	Stepping motor
2	843503500	Printed circuit board E2 unit
3	000081005	Setscrew 4x8
4	000053008	Cord binder
5	843512007	Transformer unit
6	000115205	Setscrew tp 4x6
7	829020009	Transformer supporter
8	827506008	Bobbin winder unit
9	823119008	Bobbin winder spring
10	652093009	Setscrew
11	842629005	Switch base plate unit
12	842066008	Switch base plate
13	753507203	BH selector switch unit
14	827100008	Switch set plate
15	000103808	Setscrew 3x5
16	000101404	Setscrew 4x6
17	841514601	Machine socket unit
18	000103509	Setscrew 4x10
19	652611009	Idler unit
20	000115607	TP setscrew 4x8
21	827085017	Belt cover set plate
22	843615001	DC motor unit
23	000104119	Setscrew 4x20
24	000188209	Nylon clip
25	844628033	Bobbin winder unit
26	844075039	Clutch releasing arm
27	000120203	Setscrew 3x8
28	828064002	Belt cover

PARTS LIST



PARTS LIST

KEY NO.	PARTS NO.	DESCRIPTION
1	843870280	Accessory set
2	822801001	Overedge foot
3	829801002	Zipper foot
4	822804118	Satin stitch foot
5	820817015	Blind hem stitch foot
6	753801004	Automatic buttonhole foot
7	102261000	Plastic bobbin
8	653802002	Screw driver
9	540401026	Needle set
10	647808009	Buttonhole opener
11	802424004	Lint brush
12	625031500	Additional spool pin
13	102403109	Spool pin felt
14	802422002	Quilter
15	822019509	Spool holder (small)
16	829803004	Spool stand
17	653524007	Power supply cord
18	033570318	Foot control
19	843800980	Instruction book