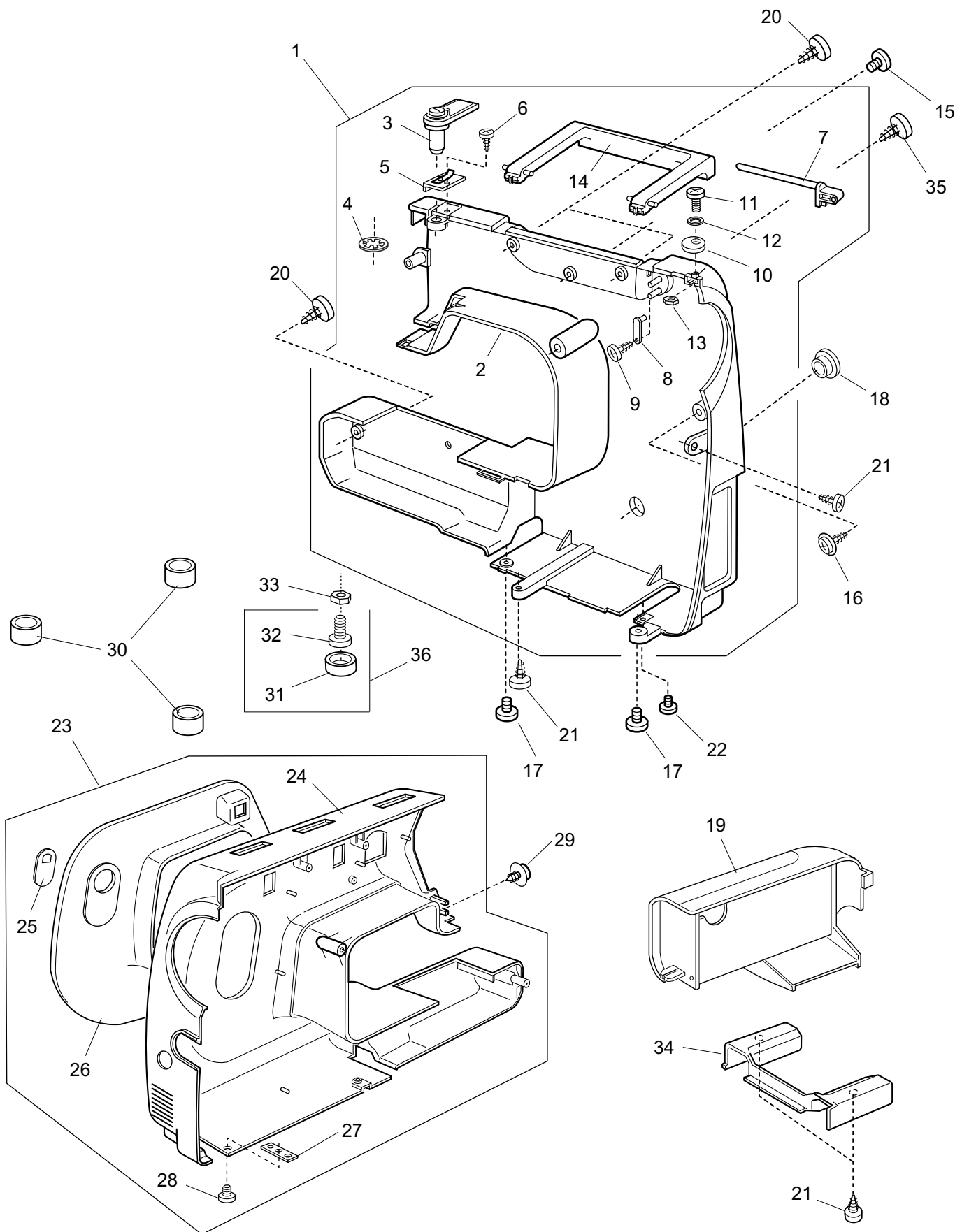
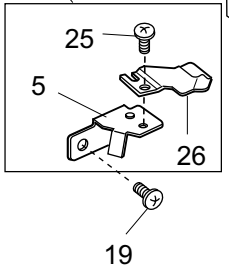
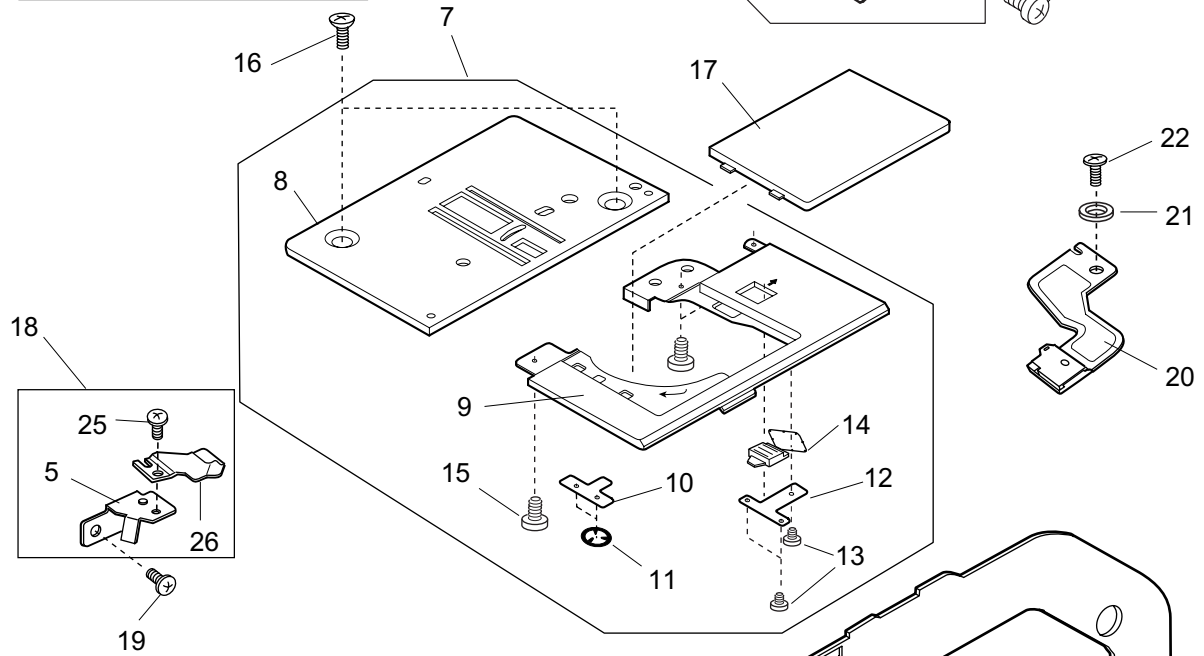
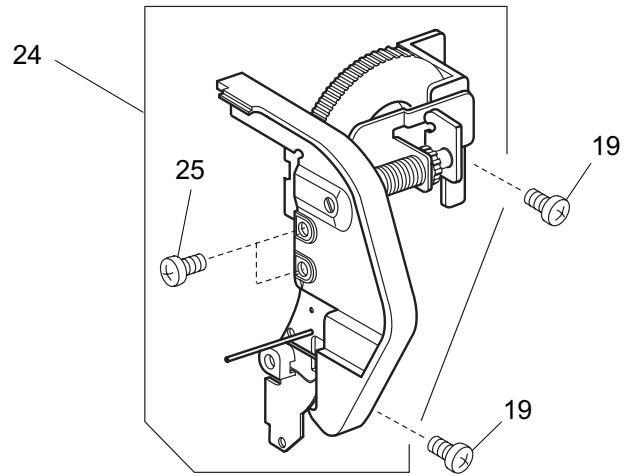
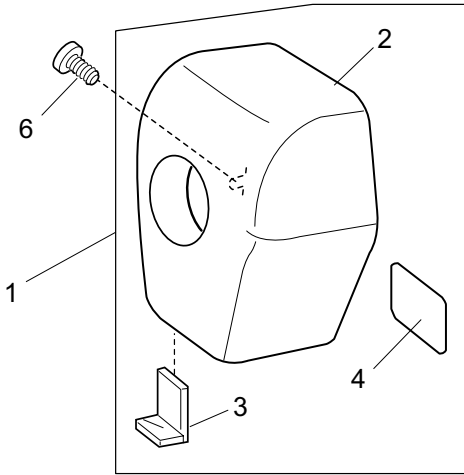


PARTS LIST

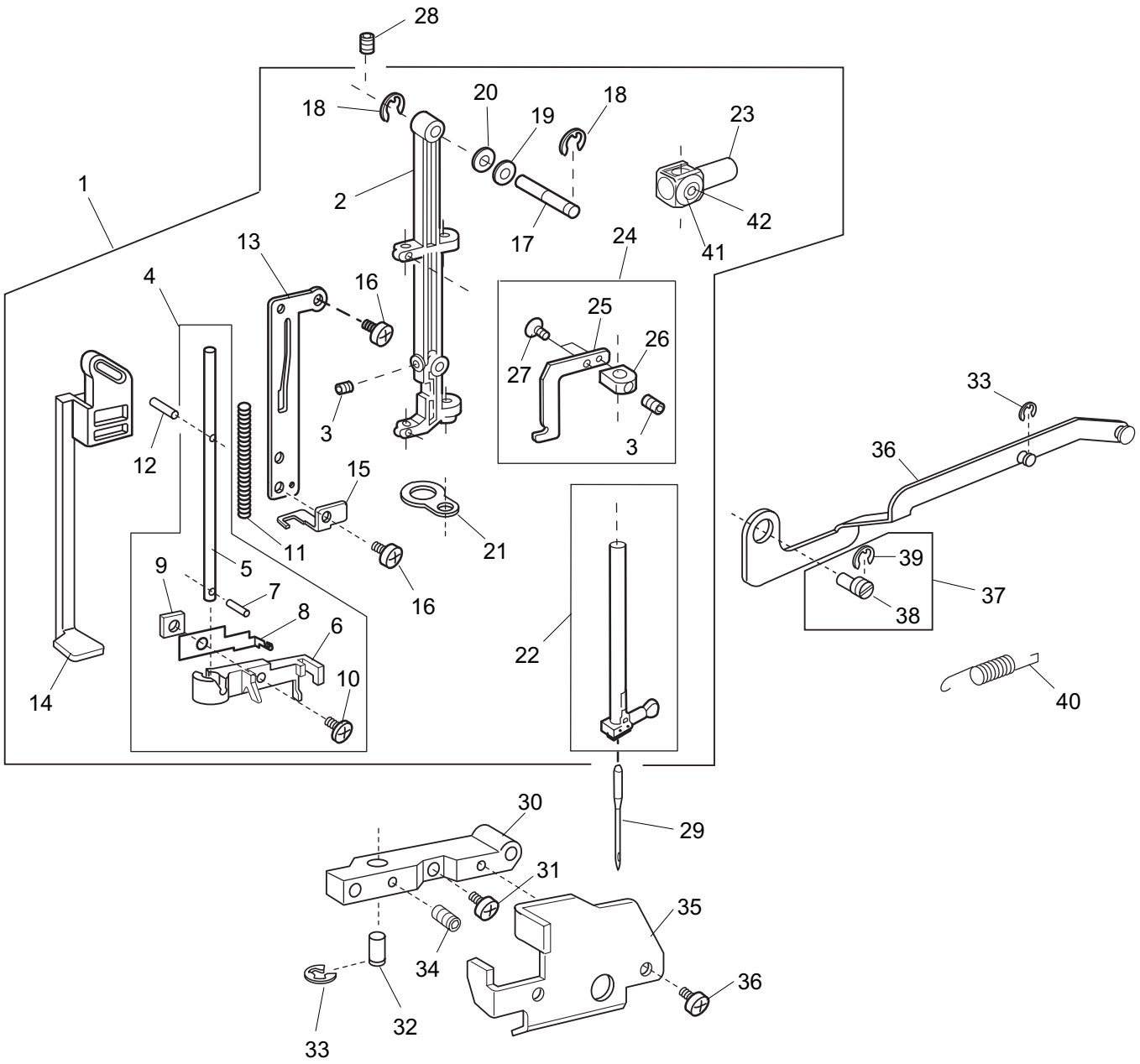
Model HF4045LX



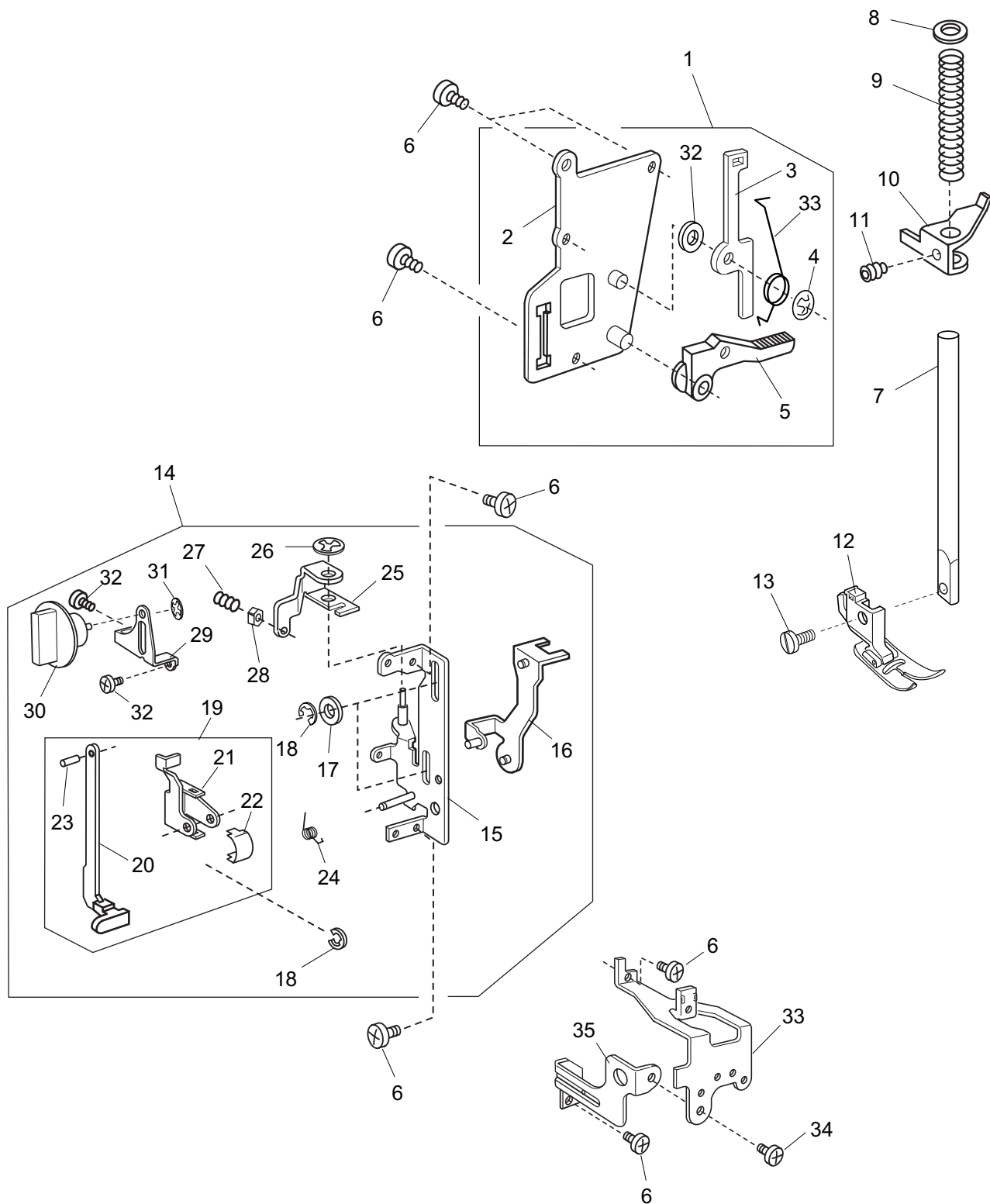
Key No.	Part No.	Description
1	502601101	Rear cover unit
2	502004201	Rear cover
3	650503506	Upper thread guide unit
4	000014409	Snap ring
5	827503005	Top cover thread guide unit
6	000162001	Tapping screw
7	502007008	Spool pin
8	502008009	Spool pin fixing plate
9	000120203	Tapping screw
10	735016307	Bobbin winder stopper
11	000101828	Setscrew
12	000071013	Washer
13	000061205	Nut
14	502009000	Carrying handle
15	000103417	Setscrew
16	000149507	Tapping screw
17	000081005	Setscrew
18	653006101	Cap
19	502501007	Extension table complete unit
20	000160412	Tapping screw
21	000161206	Tapping screw
22	000103808	Setscrew
23	502626700	Front cover unit
24	502186600	Front cover
25	502187704	Pattern indicating window
26	502188484	Front cover panel
27	502189005	Front cover panel fixing plate
28	000066705	Setscrew
29	000115205	TP screw
30	739064003	Bed rubber cushion
31	639005003	Rubber base
32	000201405	TP screw
33	000160102	Adjustable lock nut
34	502193003	Free arm leg cover
35	000108308	Tapping screw
36	502643002	Rubber base unit



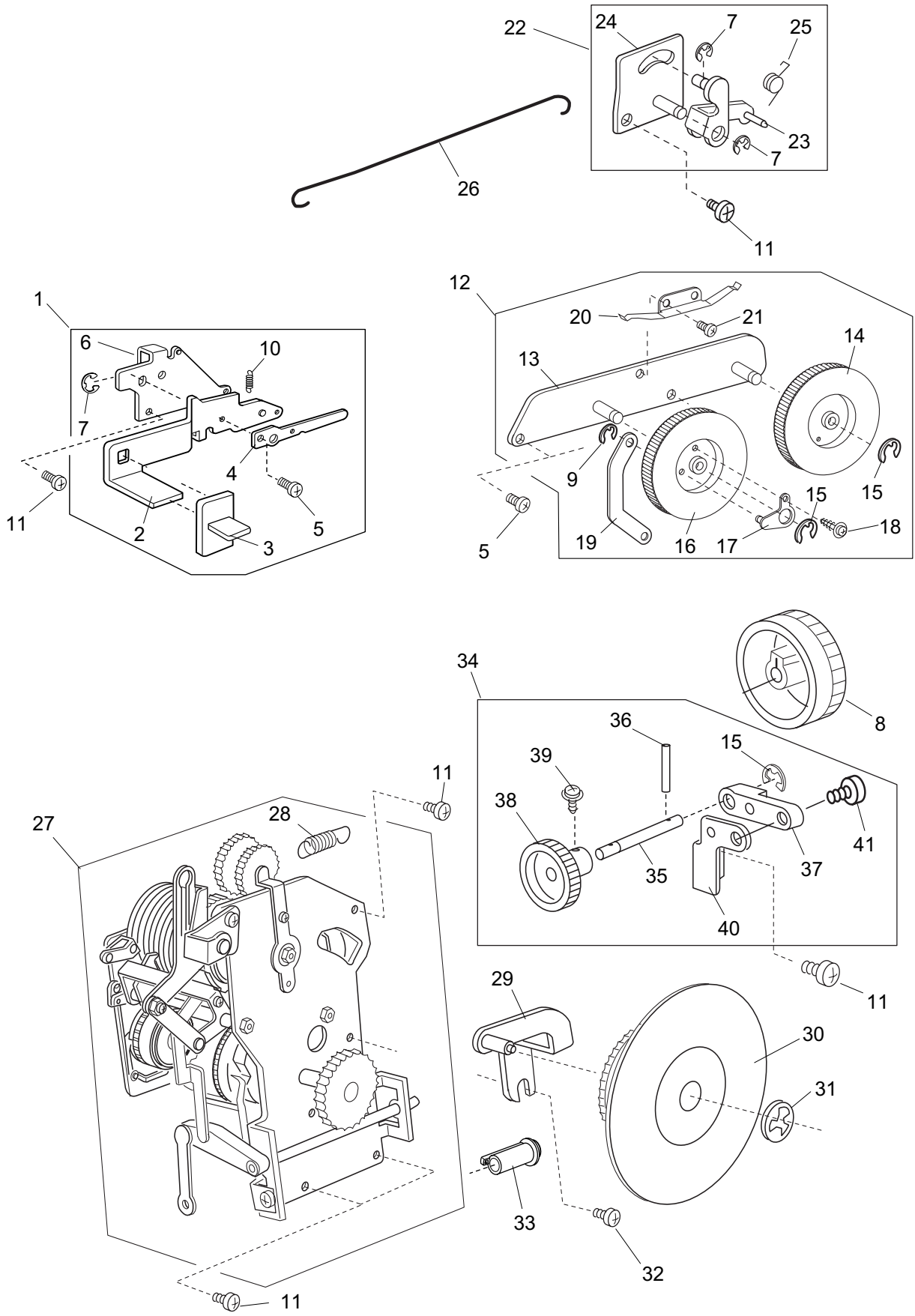
Key No.	Part No.	Description
1	502604104	Face cover unit
2	502021204	Face cover
3	840602006	Thread cutter unit
4	366076000	Face cover sticker
5	502207000	Bobbin holder stopper fixing plate
6	000108803	Setscrew
7	502602009	Needle plate unit
8	502013007	Needle plate
9	502014008	Sub needle plate
10	502015009	Hook cover plate holder spring
11	000015503	Snap ring
12	502202005	Hook cover plate holding plate
13	000130103	Tapping screw
14	502016000	Hook cover plate release button
15	000097602	Setscrew
16	502213009	Setscrew
17	502017104	Hook cover plate
18	502641000	Bobbin holder stopper unit
19	000101404	Setscrew
20	502603000	Bobbin holder stopper unit
21	000072508	Washer
22	810220003	Setscrew
23	502020007	Needle plate fixing plate
24	502611001	Thread tension regulator unit
25	000101105	Setscrew
26	502018002	Bobbin holder stopper



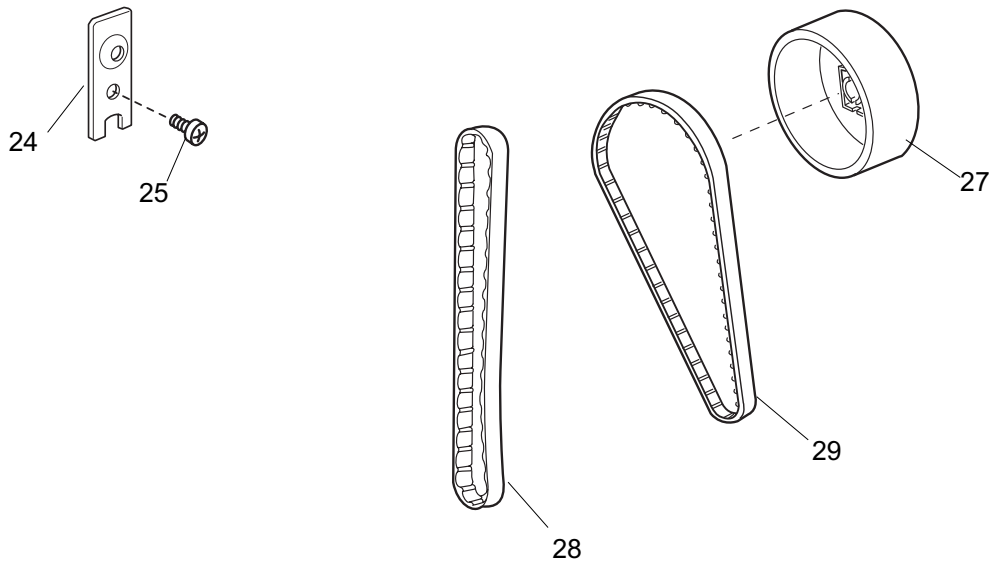
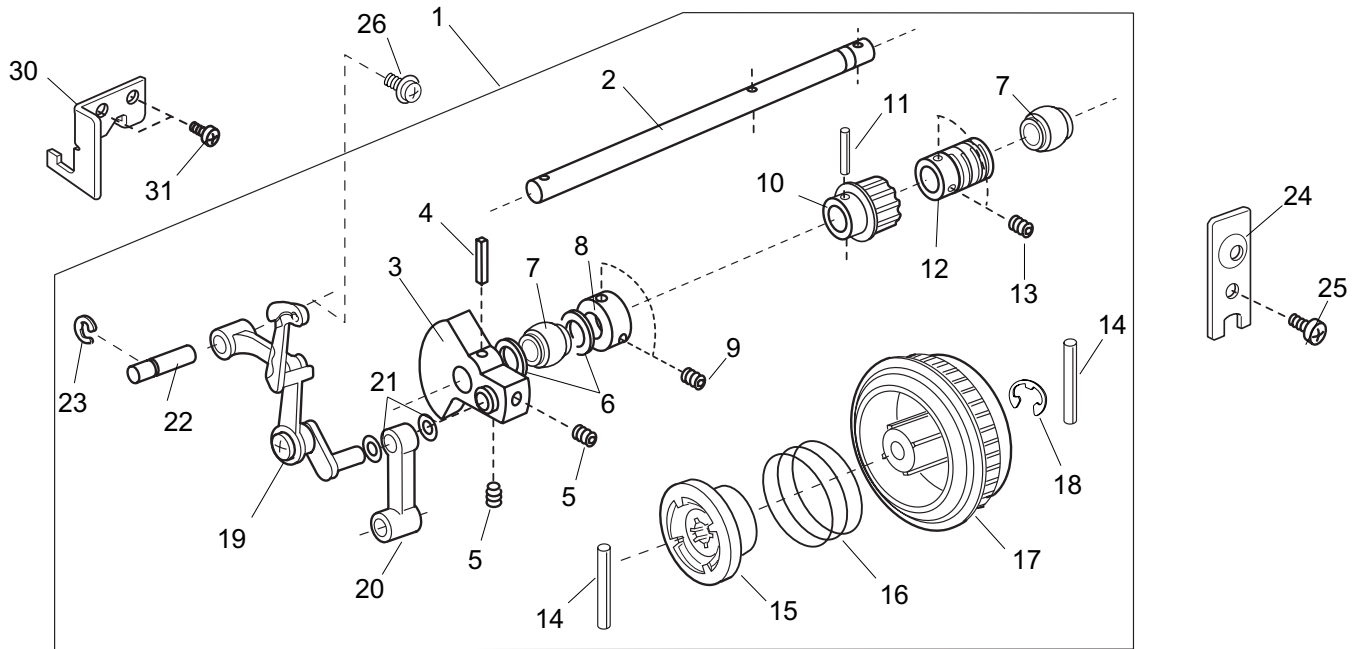
Key No.	Part No.	Description
1	502609006	Needle bar supporter unit
2	502036006	Needle bar supporter
3	000111902	Socket screw
4	840646002	Needle threader shaft unit
5	840036003	Needle threader shaft
6	755064003	Needle threader cover
7	000003508	Spring pin
8	755065004	Threader plate
9	755095003	Nut
10	755096004	Setscrew
11	840035002	Needle threader spring
12	000125105	Pin
13	840033000	Needle threader frame
14	840034001	Needle threader lever
15	840037004	Needle threader lever guide
16	000078319	Setscrew
17	735144006	Needle bar supporter pin
18	000002507	Snap ring
19	000070609	Washer
20	673022002	Washer
21	502037007	Needle bar supporter guide plate
22	751630004	Needle bar unit
23	670052002	Needle bar connecting stud complete unit
24	502610000	Threader position set plate unit
25	502041004	Threader position set plate
26	653039000	Threader position set holder
27	000097602	Setscrew
28	000111902	Socket screw
29	102408089	Needle size 14
30	502042005	Needle bar supporter adjusting holder
31	000093309	Setscrew
32	827083004	Supporter guide pin
33	000002105	Snap ring
34	000078319	Setscrew
35	502043006	Arm thread guide
36	502173006	Zigzag width rod
37	502644003	Eccentric pin unit
38	502174007	Eccentric pin
39	000002806	Snap ring
40	502175008	Needle bar supporter spring
41	670272000	Needle bar connecting stud
42	000111201	Socket screw



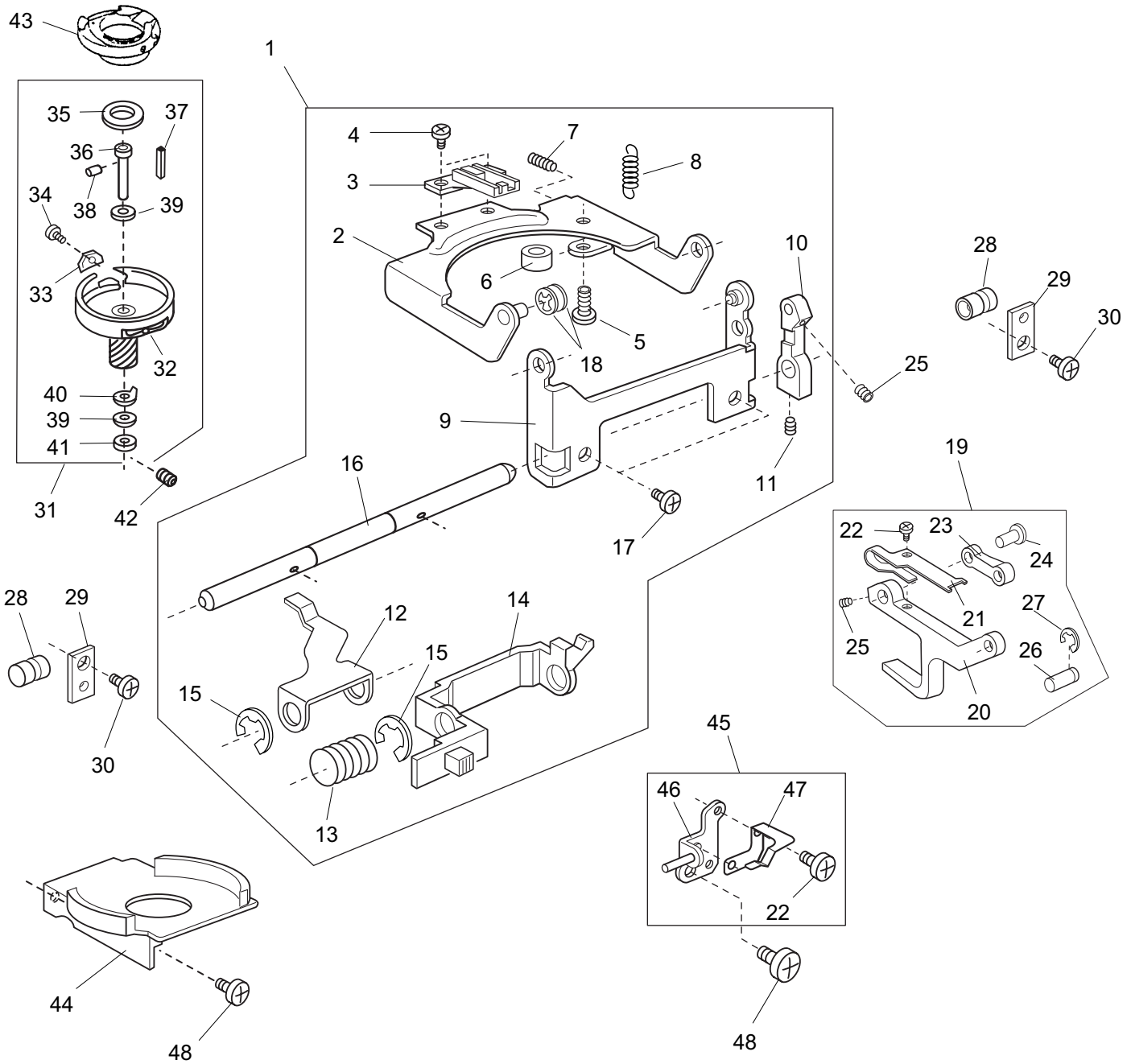
Key No.	Part No.	Description
1	502605002	Presser base plate unit
2	502022009	Presser base plate
3	502023000	Tension releasing lever
4	000013903	Cs ring
5	502024001	Presser bar lifter
6	000081005	Setscrew
7	830029002	Presser bar
8	652201002	Washer
9	502025002	Spring
10	502026003	Presser bar supporter
11	000111500	Socket screw
12	660508007	Presser foot unit
13	763048006	Setscrew
14	502606003	Front base plate unit
15	502027004	Front base plate
16	502028005	Pressure adjusting arm
17	000072508	Washer
18	000002105	Snap ring
19	502607004	Buttonhole lever unit
20	502608005	Buttonhole lever unit
21	502032002	Buttonhole lever supporter
22	753027008	Friction spring
23	000023009	Spring pin
24	740049006	Buttonhole lever spring
25	502033003	Buttonhole adjusting lever
26	000014306	Cs ring
27	000113306	Setscrew
28	000160102	Adjustable nut
29	502196005	Dial fixing plate
30	502030000	Pressure adjusting dial
31	000014007	CS ring
32	000036005	Washer
33	502256004	Tension releasing spring



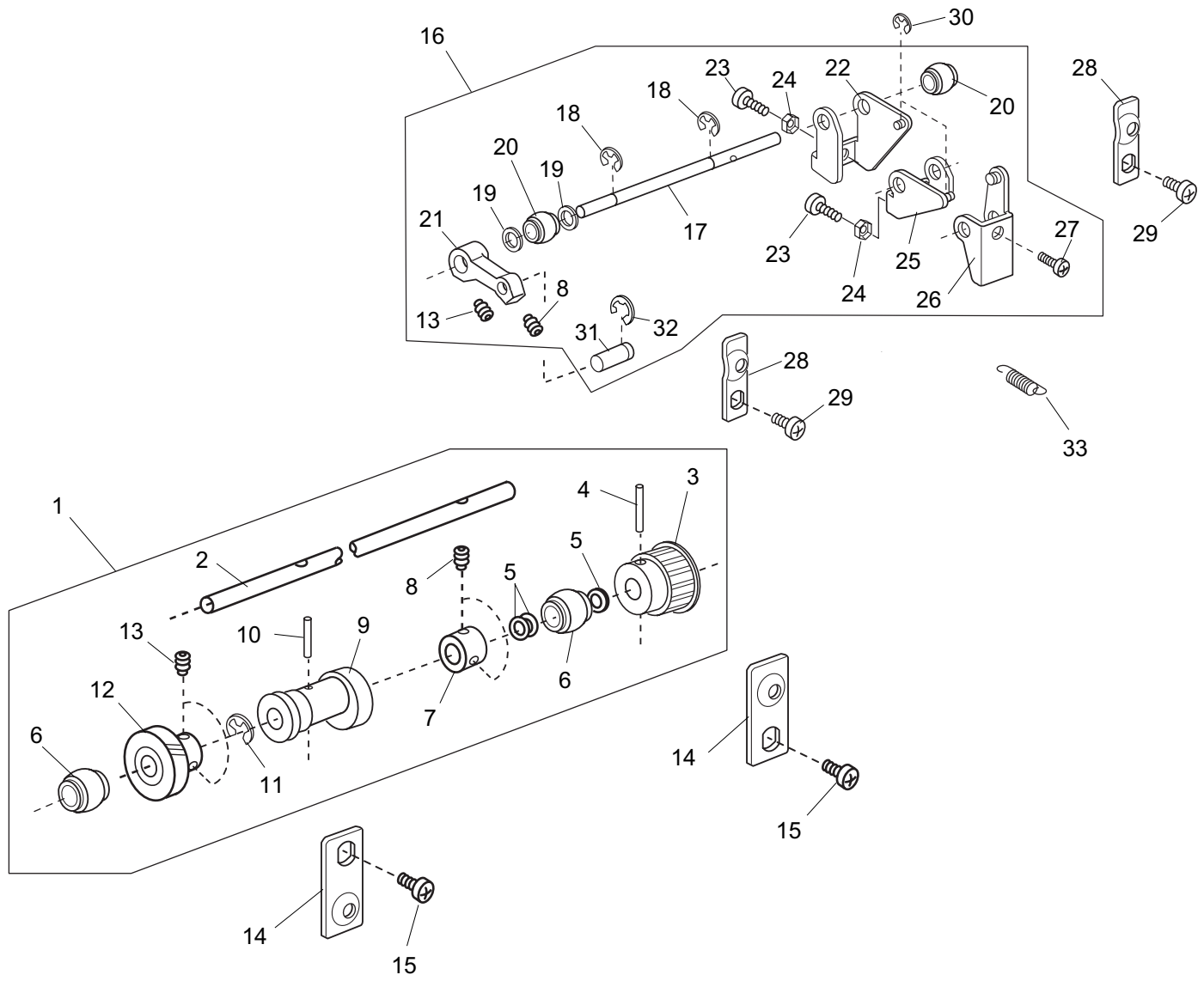
Key No.	Part No.	Description
1	502624007	Reverse lever unit
2	502176009	Reverse stitch lever (1)
3	502177000	Reverse button
4	502178001	Reverse button (2)
5	000101404	Setscrew
6	502179002	Reverse lever holding plate
7	000002507	Snap ring
8	502156003	Pattern selector dial
9	000002105	Snap ring
10	502205008	Reverse lever spring
11	000081005	Setscrew
12	502623202	Dial unit
13	502168008	Dial holding plate
14	502169504	Stitch length dial
15	000001609	Snap ring
16	502170106	Zigzag width dial
17	502194003	Zigzag width adjusting plate
18	000149002	Tapping screw
19	502171004	Zigzag width adjusting rod
20	502172005	Pattern selection index spring
21	000103808	Setscrew
22	502628001	Buttonhole changing lever unit
23	502060009	Buttonhole changing lever
24	502197006	Buttonhole lever shaft plate
25	502198007	Buttonhole changing lever spring
26	502059005	Buttonhole changing rod (1)
27	502647006	Cam block unit
28	502167007	Spring
29	502151008	Pattern indicating dram holding plate
30	502152401	Pattern indicating dram
31	000014007	Cs ring
32	000103808	Setscrew
33	502155002	Ss adjusting knob
34	502620003	Pattern selector dial shaft unit
35	502157004	Pattern selector dial shaft
36	000019806	Spring pin
37	502159006	Dial shaft holder
38	502158005	Dial gear
39	000115906	Setscrew
40	502160000	Dial holding plate
41	000103509	Setscrew



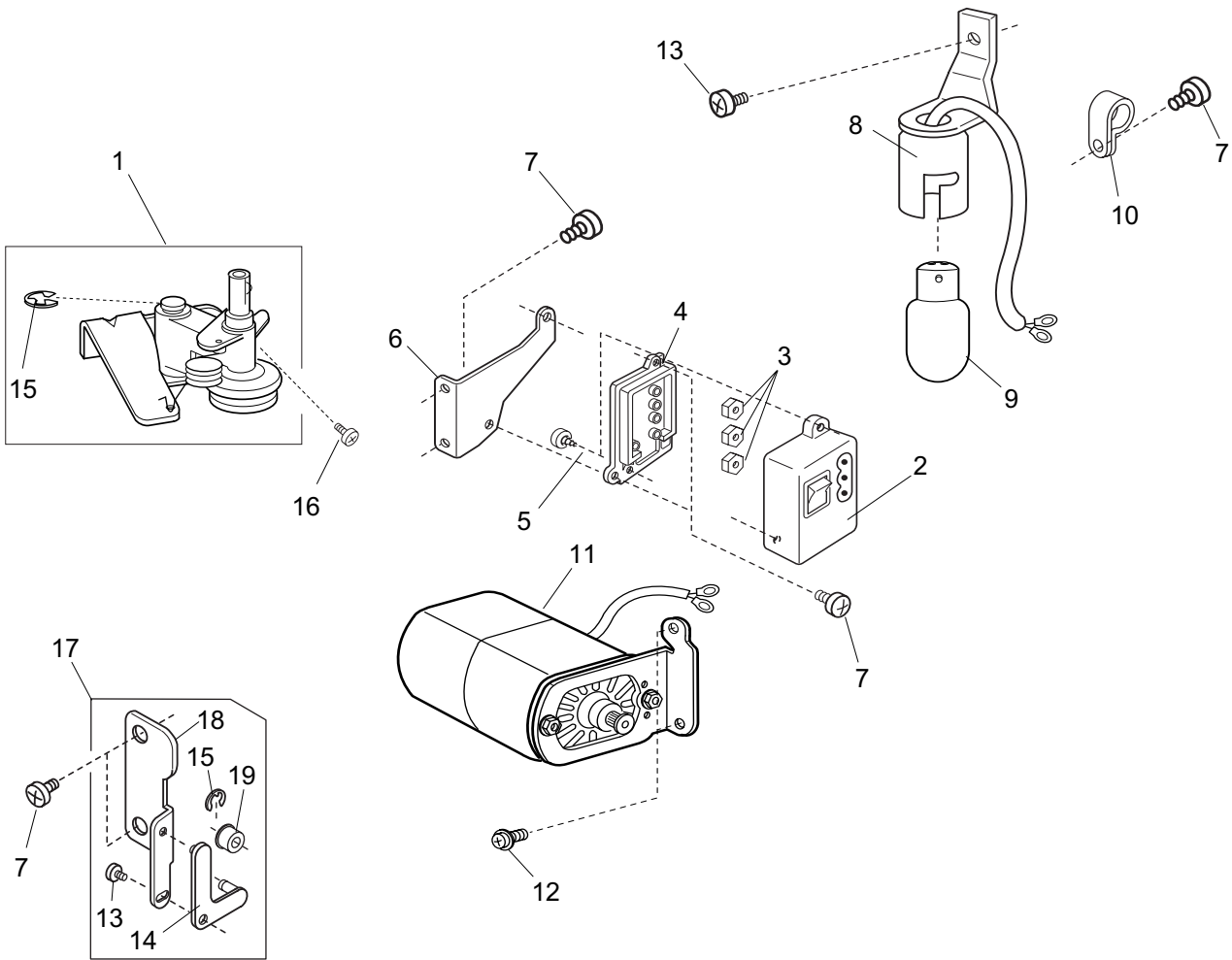
Key No.	Part No.	Description
1	502612002	Upper shaft complete unit
2	502062001	Upper shaft
3	660016003	Thread take-up crank
4	000021708	Spring pin
5	000110901	Socket screw
6	000038801	Washer
7	502002003	Upper shaft ball bearing
8	639095000	Ring
9	000111304	Socket screw
10	756017004	Upper shaft timing gear
11	000020501	Spring pin
12	502063002	Worm
13	000111201	Socket screw
14	000024206	Spring pin
15	502064003	Clutch ring
16	502065004	Clutch spring
17	502066005	Belt wheel
18	000030205	Snap ring
19	660510013	Thread take-up lever
20	639016007	Needle bar crank rod
21	000036902	Thrust washer
22	502044007	Thread take-up lever pin
23	000002806	Snap ring
24	502067006	Upper shaft metal holder
25	000101301	Setscrew
26	000201405	Setscrew
27	502068007	Hand wheel
28	660017015	Timing belt
29	753234000	Timing belt
30	502206009	Upper shaft supporting plate
31	000081005	Setscrew



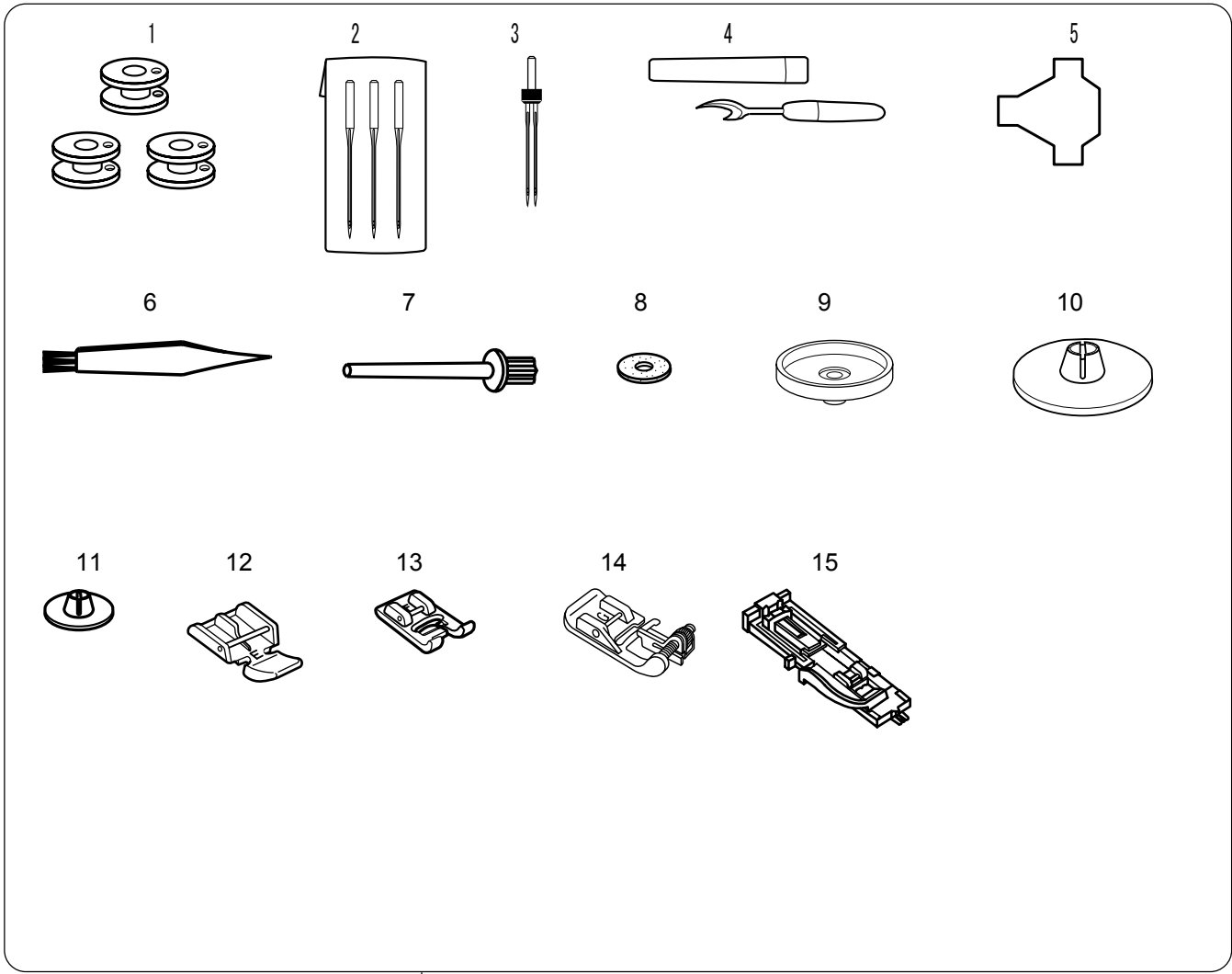
Key No.	Part No.	Description
1	502616006	Horizontal feed shaft unit
2	502075007	Horizontal feed plate
3	502005006	Feed dog
4	000101507	Setscrew
5	502077009	Feed adjusting screw
6	502203006	Ring
7	000176503	Socket screw
8	502078000	Spring
9	502079001	Horizontal feed plate supporter
10	502080005	Feed arm
11	000110901	Socket screw
12	502083008	Sliding plate
13	502084009	Sliding plate spring
14	502085000	Feed dog down lever
15	000002806	Snap ring
16	502086001	Feed shaft
17	000103509	Setscrew
18	000014007	CS ring
19	502639005	Forked rod unit
20	502087002	Forked rod
21	502088003	Spring
22	000103808	Setscrew
23	650087004	Feed adjusting link
24	820144003	Feed plate link pin (upper)
25	000111201	Socket screw
26	502200003	Connecting pin
27	000002507	Snap ring
28	502089004	Straight center
29	735085008	Center holding plate
30	000101404	Setscrew
31	502667002	Hook unit
32	502502008	Shuttle body unit
33	627189005	Needle guard
34	820373003	Setscrew
35	627190010	Hook race magnet
36	820123006	Hook driver shaft
37	820124007	Hook shaft oil felt (1)
38	820125008	Hook shaft oil felt (2)
39	000038409	Washer
40	627192001	Washer
41	625102008	Washer
42	000111304	Socket screw
43	627569106	Bobbin holder unit
44	502071003	Gear cover
45	502642001	Guide plate unit
46	502090008	Guide plate
47	502091009	Lever plate spring
48	000081005	Setscrew



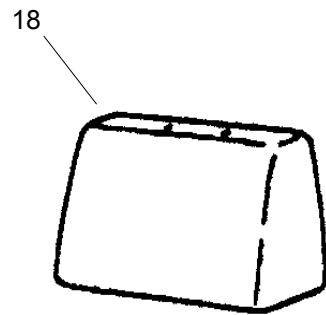
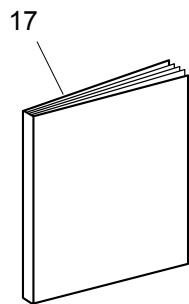
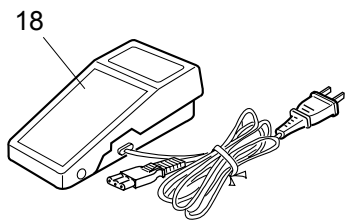
Key No.	Part No.	Description
1	502613003	Lower shaft unit
2	502069008	Lower shaft
3	650073007	Lower shaft timing gear
4	000004200	Spring pin
5	000038502	Washer
6	732034003	Lower shaft rear bushing
7	502195004	Lower shaft ring
8	000111201	Socket screw
9	502070002	Feed cam unit
10	000005407	Spring pin
11	000002909	Snap ring
12	650955002	Lower shaft gear
13	000111304	Socket screw
14	502204007	Lower shaft metal holder
15	000101301	Setscrew
16	502646005	Feed adjusting shaft unit
17	502214000	Feed adjusting shaft
18	000001609	Snap ring
19	000038409	Washer
20	502003004	Feed shaft ball bearing
21	502093001	Feed adjusting arm
22	502217003	Buttonhole feed adjusting arm
23	000104706	Setscrew
24	000160102	Adjustable lock nut
25	502216002	Ss feed adjusting arm
26	502215001	Feed adjusting shaft plate
27	000100104	Setscrew
28	502096004	Feed shaft metal holder
29	000081005	Setscrew
30	000002105	Snap ring
31	502258006	Feed adjusting arm shaft
32	000002507	Snap ring
33	502097005	Feed regulator spring



Key No.	Part No.	Description
1	502505001	Bobbin winder unit
2	739505403	Machine socket unit
3	000060802	Nut
4	739037007	Machine socket cover
5	000107802	Setscrew
6	502190009	Machine socket fixing plate
7	000081005	Setscrew
8	639618108	Lamp socket unit
9	000008606	Lamp 120V
10	000188601	Clip
11	502627000	Motor unit
12	000115504	Setscrew
13	000101404	Setscrew
14	502074006	Idler holding plate
15	000002806	Snap ring
16	000103509	Setscrew
17	502614004	Idler unit
18	502072004	Idler base plate
19	625217100	Idler



16



Key No.	Part No.	Description
1	102261000	Bobbin
2	639804000	Needle (size 14)
3	826815000	Twin needle
4	647808009	Seam ripper
5	653802002	Screwdriver
6	802424004	Brush
7	625031500	Additional spool pin
8	102403109	Felt
9	829803004	Spool stand
10	822020503	Spool holder (large)
11	822019509	Spool holder (small)
12	829801002	Zipper foot
13	822804118	Satin stitch foot
14	820817015	Blind stitch foot
15	753801004	Automatic buttonhole foot R
16	502870000	Accessory set
17	502800047	Instruction book
18	C-1028	Foot control
19	484701000	Hard resin cover