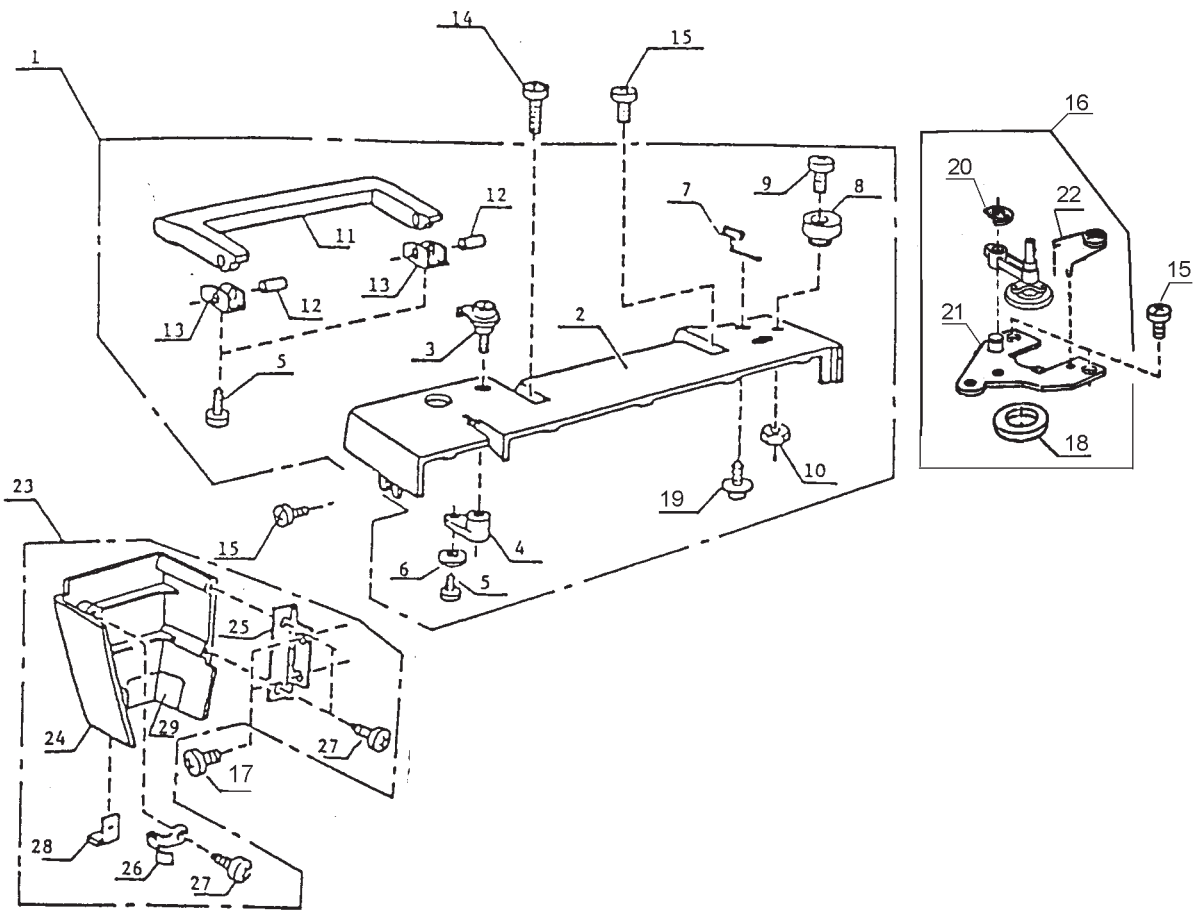
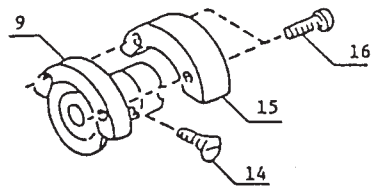
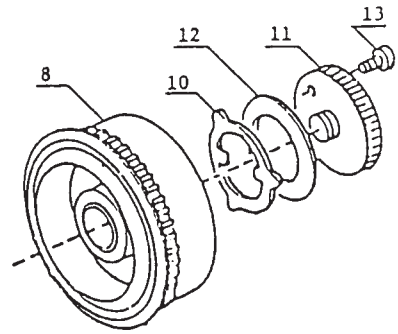
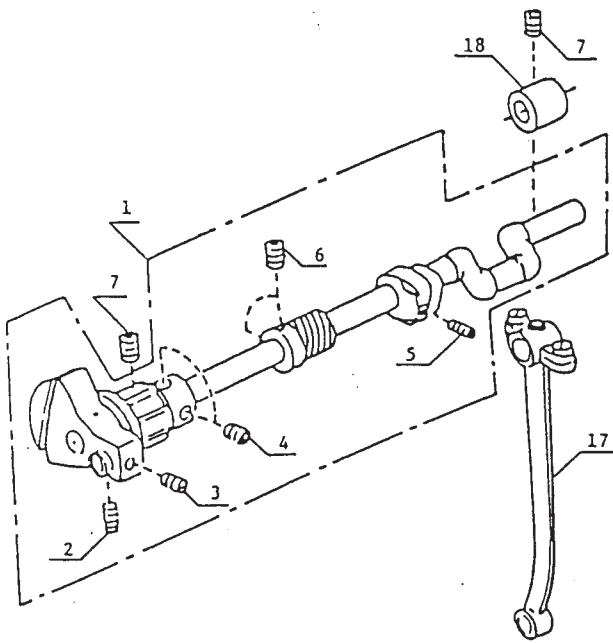


PARTS LIST

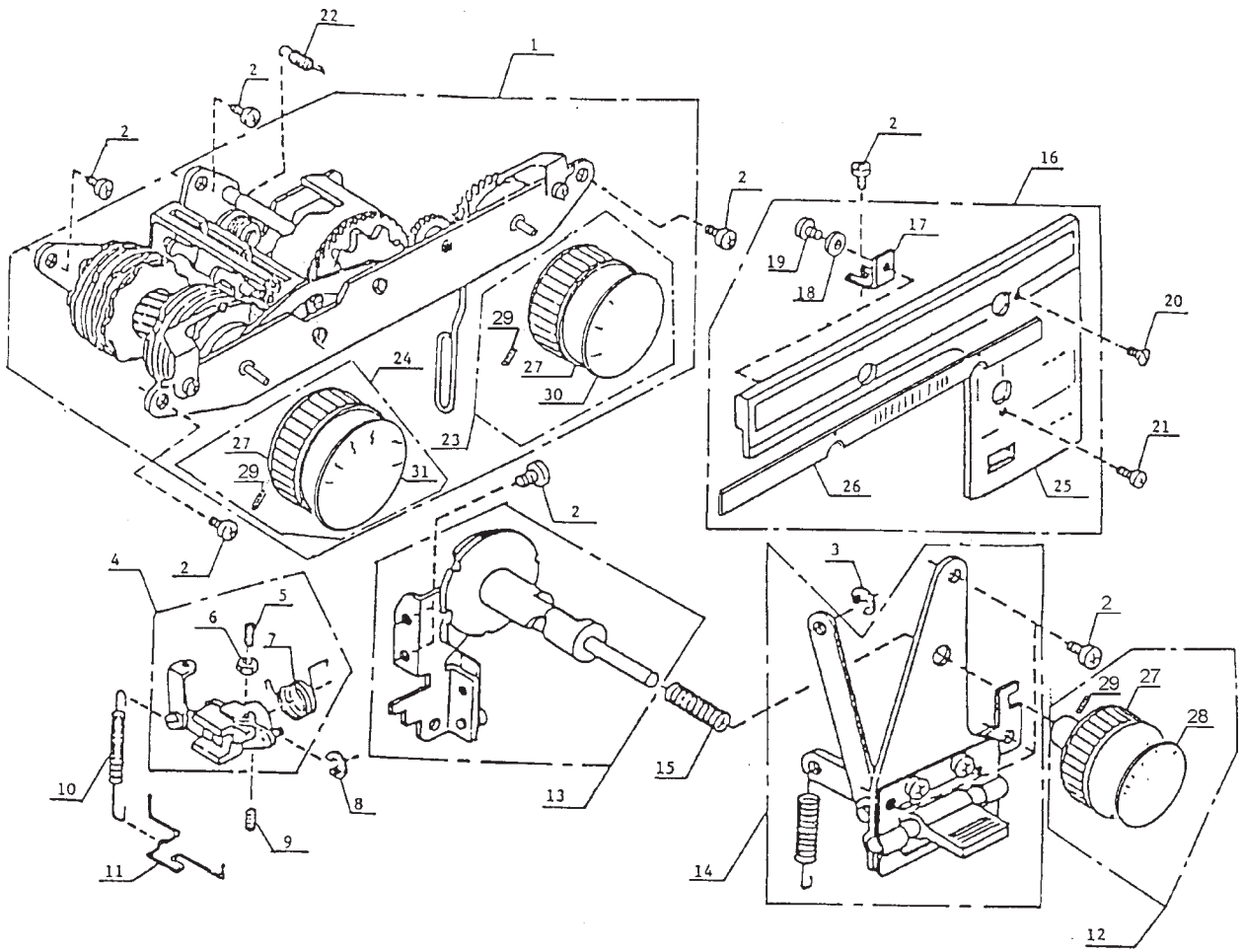
L-393



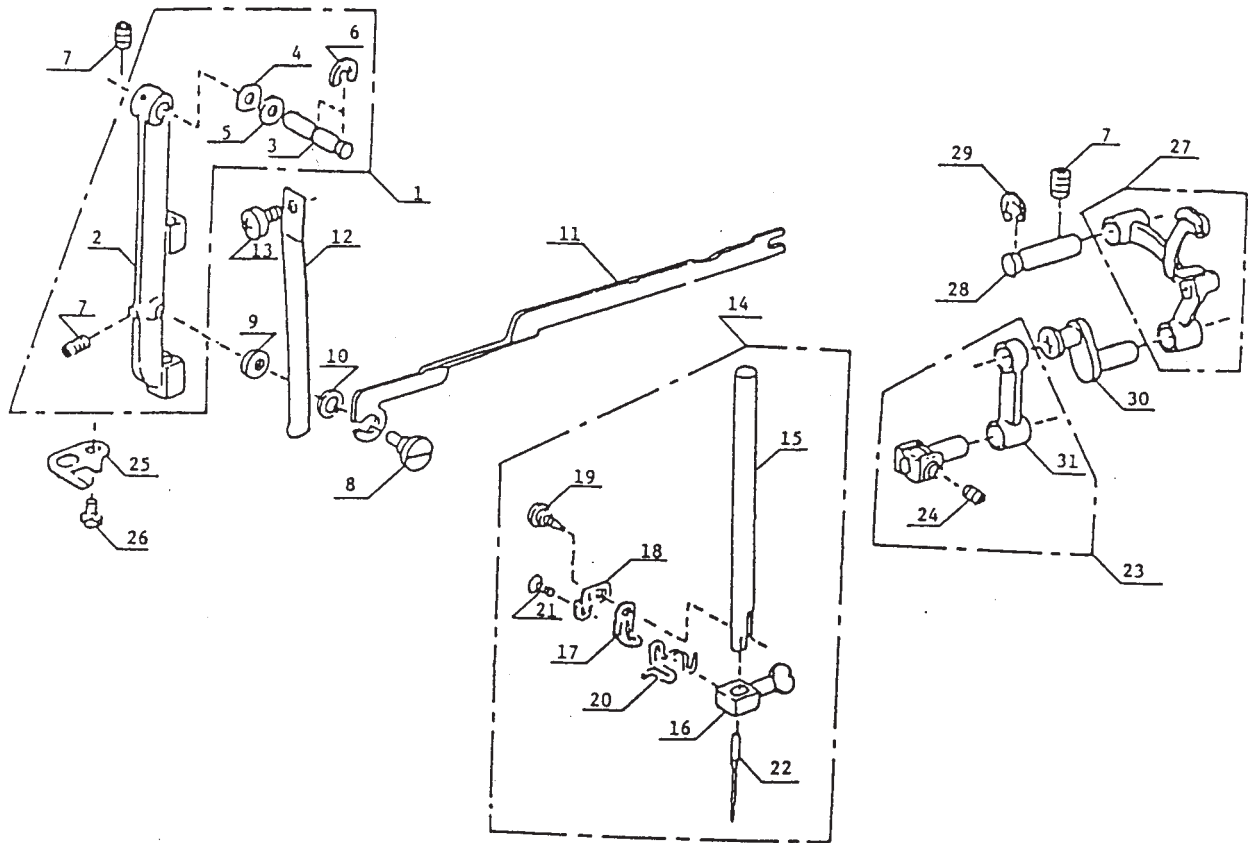
Ref.	Part No.	Name
1	731601602	Top cover unit
2	731003206	Top cover
3	730501011	Bobbin winder thread guide unit
4	822021009	Thread guide base
5	000107204	Set screw
6	000070104	Washer
7	731004001	Top cover thread guide
8	674064009	Bobbin winder stopper
9	000104119	Set screw
10	000061205	Nut
11	731005208	Handle
12	730015002	Pin
13	730016003	Handle set plate
14	000104108	Set screw
15	000101404	Set screw
16	730604107	Bobbin winder unit
17	000081119	Set screw
18	365076007	Bobbin winder ring
19	000109000	Set screw
20	000002806	Snap ring
21	730018108	Bobbin winder base
22	730019006	Bobbin winder spring
23	731602500	Face plate unit
24	731007200	Face plate
25	366501102	Face plate hinge unit
26	731067002	Spring
27	000161000	Set screw
28	840602006	Thread cutter unit
29	366076000	Face plate sticker



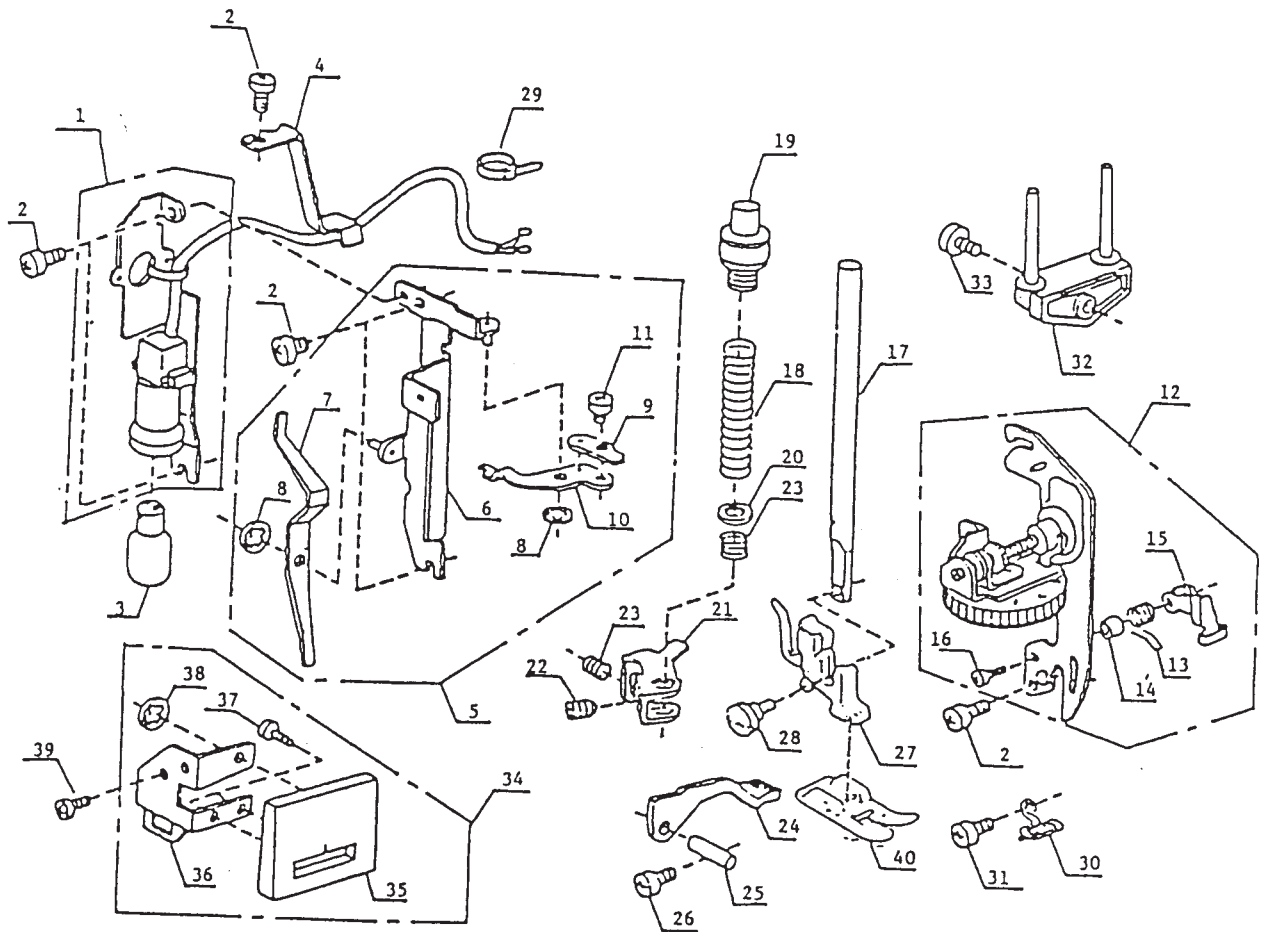
Ref.	Part No.	Name
1	730608008	Upper shaft unit
2	102073003	Set screw
3	102063000	Set screw
4	000111304	Hexagon socket screw
5	102133002	Set screw
6	553245008	Hexagon socket screw
7	000111108	Hexagon socket screw
8	730036308	Balance wheel
9	730037000	Balance wheel bushing
10	102076006	Stop motion washer
11	647036400	Stop motion large screw
12	647037009	Washer
13	102078101	Stop motion small screw
14	671106005	Set screw
15	640008000	Balance weight
16	000105202	Set screw
17	640602000	Crank rod unit
18	671021005	Bushing



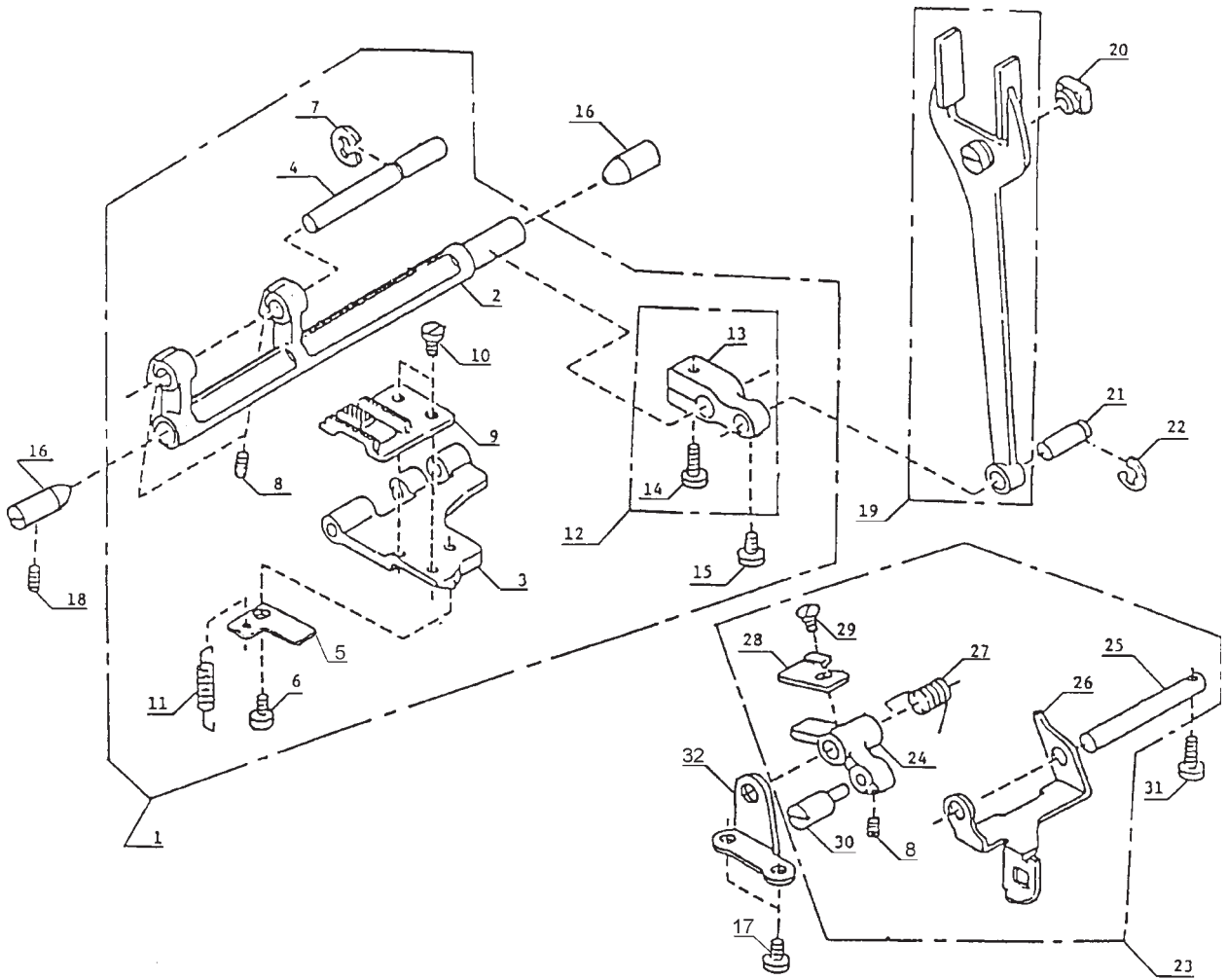
Ref.	Part No.	Name
1	731631106	Cam block unit
2	000101404	Set screw
3	000002105	Snap ring
4	731605008	Feed regulator unit
5	648010009	Set screw
6	000160102	Nut
7	735077007	Spring
8	000000309	Snap ring
9	802097004	Hexagon socket screw
10	670100006	Spring
11	730041007	Spring holder
12	731606168	Stitch length dial unit
13	731607000	Feed regulating cam unit
14	731608609	Reverse lever unit
15	731029002	Spring
16	731626038	Front panel unit
17	731037003	Panel set plate
18	000070104	Washer
19	000078319	Set screw
20	693091004	Set screw
21	000103303	Set screw
22	730092003	Spring
23	731628306	Zigzag width dial unit
24	731611328	Pattern selector dial unit
25	731323102	Front panel
26	731087008	Pattern indicating plate
27	731023604	Dial
28	731068003	Stitch length indicating plate
29	000111201	Hexagon socket screw
30	731072000	Zigzag width indicating plate
31	731072000	Stitch pattern indicating plate



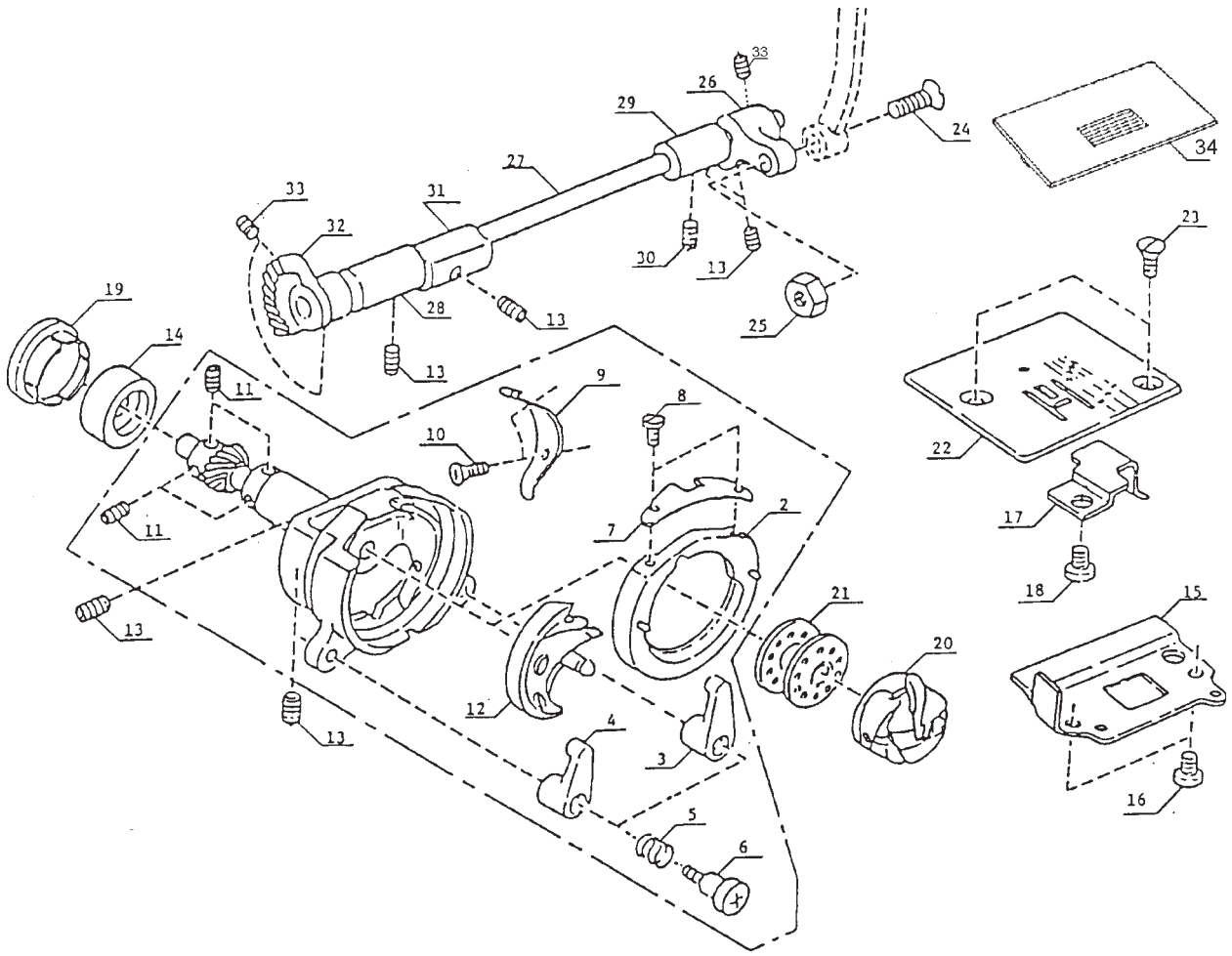
Ref.	Part No.	Name
1	730606006	Needle bar supporter unit
2	647130003	Needle bar supporter
3	730022002	Pin
4	673022002	Washer
5	000070609	Washer
6	000002507	Snap ring
7	000111304	Hexagon socket screw
8	678084007	Eccentric pin
9	670258000	Washer
10	678044005	Washer
11	730023003	Zigzag rod
12	730024004	Spring
13	000101404	Set screw
14	730503116	Needle bar unit
15	553085019	Needle bar
16	801506008	Needle clamp unit
17	730025005	Needle guide plate
18	732105006	Needle clamp set plate
19	802108009	Hinge screw
20	680043012	Needle bar thread guide
21	670047004	Set screw
22	102408089	Needle, size 14
23	680504005	Needle bar connecting stud unit
24	000111201	Hexagon socket screw
25	680036001	Stopper
26	000066303	Bolt
27	625506109	Thread take up lever unit
28	731511006	Pin
29	000002806	Snap ring
30	730509008	Needle bar crank pin unit



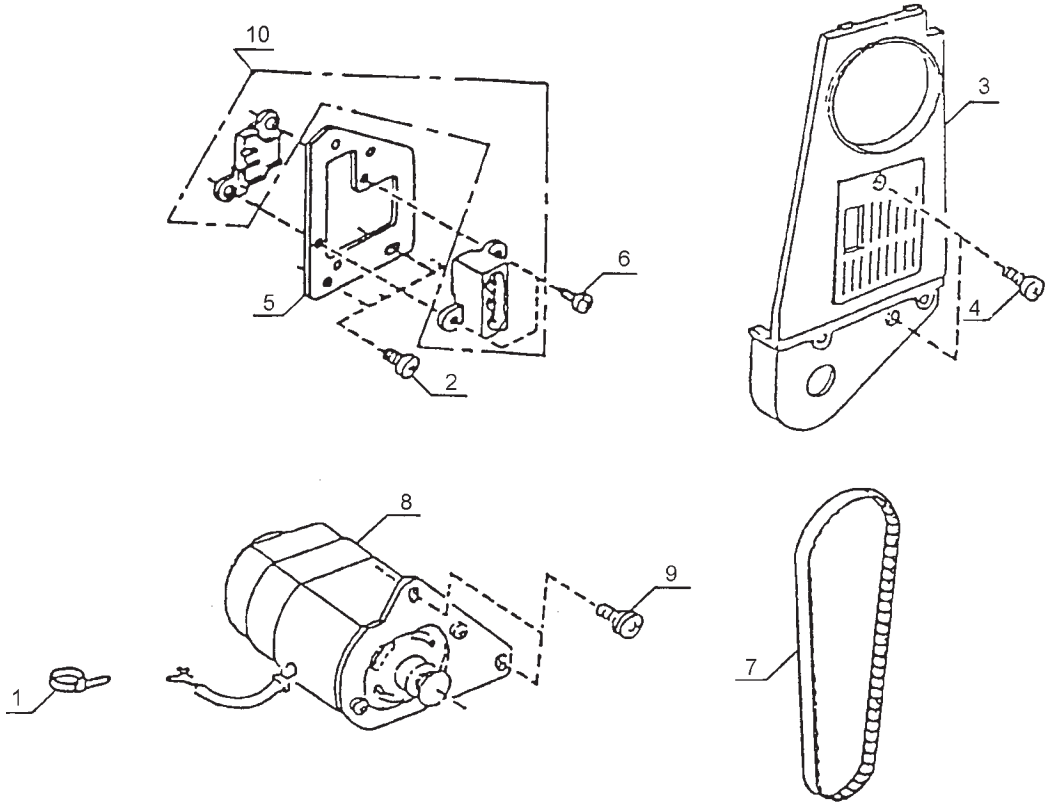
Ref.	Part No.	Name
1	647501001	Lamp socket unit
2	000101404	Set screw
3	000009803	Light bulb
4	693047005	Cord holder
5	731603109	Front bracket unit
6	731010000	Front bracket
7	730029009	Tension release lever
8	000013903	Snap ring
9	731011001	Tension release plate
10	730031004	Tension release plate
11	000103808	Set screw
12	731501405	Tension unit
13	650044009	Check spring
14	625057007	Check spring guide
15	650045000	Thread guide
16	000069708	Set screw
17	350804006	Presser bar
18	731063008	Spring
19	647505117	Darner
20	102061008	Washer
21	822069009	Presser bar guide bracket
22	000111500	Hexagon socket screw
23	102222009	Spring
24	822071004	Presser bar lifter
25	822072005	Pin
26	000103509	Set screw
27	611510000	Foot holder unit
28	647112009	Thumb screw
29	000053008	Binder
30	731009006	Arm thread guide
31	000100300	Set screw
32	731006209	Spool pin
33	000115700	Set screw
34	731625093	Tension indicating plate unit
35	731342406	Tension indicating plate
36	731062007	Face plate set plate
37	000120203	Set screw
38	000014007	Snap ring
39	000101507	Set screw
40	611511001	Zigzag foot



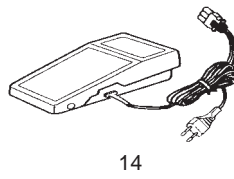
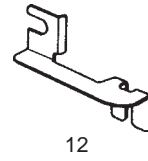
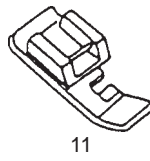
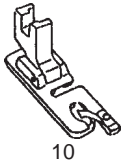
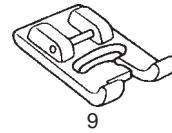
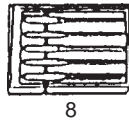
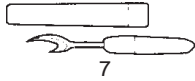
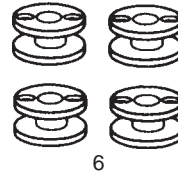
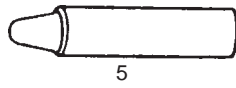
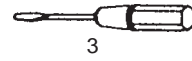
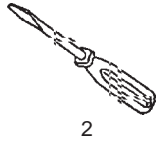
Ref.	Part No.	Name
1	730611004	Feed rock shaft unit
2	730057006	Feed rock shaft
3	647066007	Feed bar
4	647134007	Pin
5	648019008	Slide plate
6	102021202	Set screw
7	000002507	Snap ring
8	000111108	Hexagon socket screw
9	730184003	Feed dog
10	730183002	Set screw
11	672042005	Spring
12	647612015	Feed rock shaft crank unit
13	647064005	Feed rock shaft crank
14	102151006	Set screw
15	102205006	Set screw
16	738055008	Pin
17	000101404	Set screw
18	000111304	Hexagon socket screw
19	647607006	Forked rod unit
20	102141003	Slide block
21	673103008	Pin
22	000002806	Snap ring
23	730612005	Feed lift arm unit
24	738028002	Feed lift arm
25	730058007	Feed lift arm shaft
26	730059008	Drop feed lever
27	730061003	Spring
28	730062004	Slide plate
29	365032001	Set screw
30	730063016	Eccentric pin
31	000101703	Set screw
32	730064006	Pin supporter



Ref.	Part No.	Name
1	640603104	Hook race unit
2	553168006	Hook race ring
3	605065006	Clasp (A)
4	605066007	Clasp (B)
5	532184003	Spring
6	673290003	Hinge screw
7	601801000	Race ring spring
8	102100000	Set screw
9	670286007	Driver spring
10	102202003	Set screw
11	553245008	Hexagon socket screw
12	532096007	Shuttle hook
13	000111304	Hexagon socket screw
14	640018003	Bushing
15	730109004	Gear cover
16	000101208	Set screw
17	730107002	Gear cover
18	000101404	Set screw
19	626045407	Cap
20	647515006	Bobbin case unit
21	102261000	Bobbin
22	730027007	Needle plate
23	681009101	Set screw
24	761161000	Tapered screw
25	102129005	Nut
26	640010005	Lower shaft crank
27	647142008	Lower shaft
28	738024008	Bushing
29	640038009	Bushing
30	000111304	Hexagon socket screw
31	647043008	Feed lifting cam
32	730038001	Lower shaft gear
33	000110107	Hexagon socket screw
34	720003202	Hook cover plate



Ref.	Part No.	Name
1	000053008	Binder
2	000081005	Set screw
3	721001605	Belt cover
4	000104119	Set screw
5	731380107	Set plate
6	000121400	Set screw
7	624093002	Timing belt
8	013596307	Motor
9	000115504	Set screw
10	731515000	Machine socket unit
11	731379000	Power switch set plate — not illustrated
12	639511018	Power switch— not illustrated



No.	Part No.	Name
1	131400003	Accessory bag
2	647802003	Screwdriver (large)
3	647803004	Screwdriver (small)
4	102403109	Felt
5	741814003	Oiler with oil
6	102261000	Bobbin
7	647808009	Seam ripper
8	540401026	Set of needles
9	737801015	Buttonhole foot
10	743815000	Hemmer foot
11	611406002	Zipper foot
12	674401002	Blind hem guide
12	731400137	Instruction book
13	033870207	Foot control