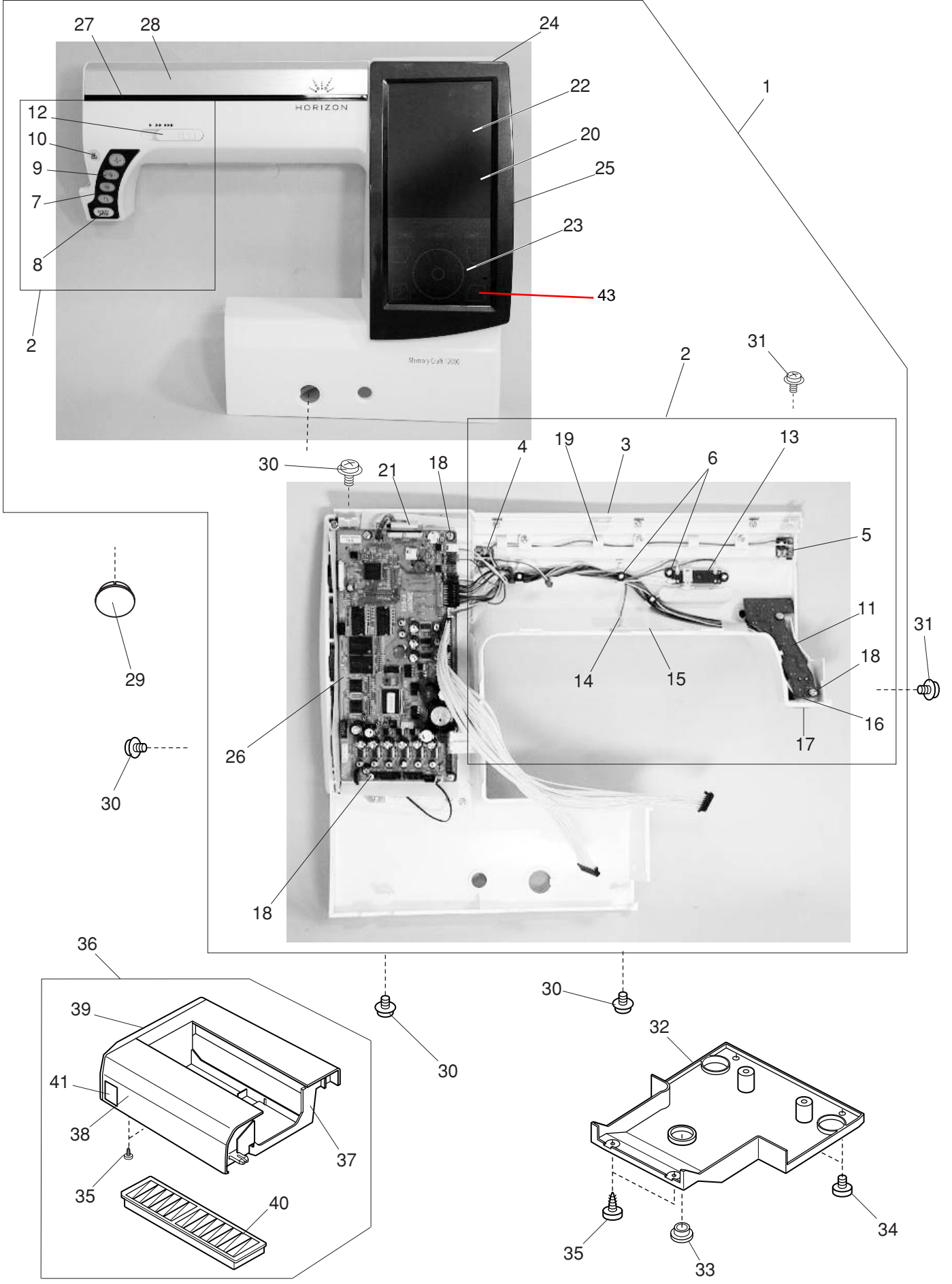


PARTS LIST

MC 12000

JANOME

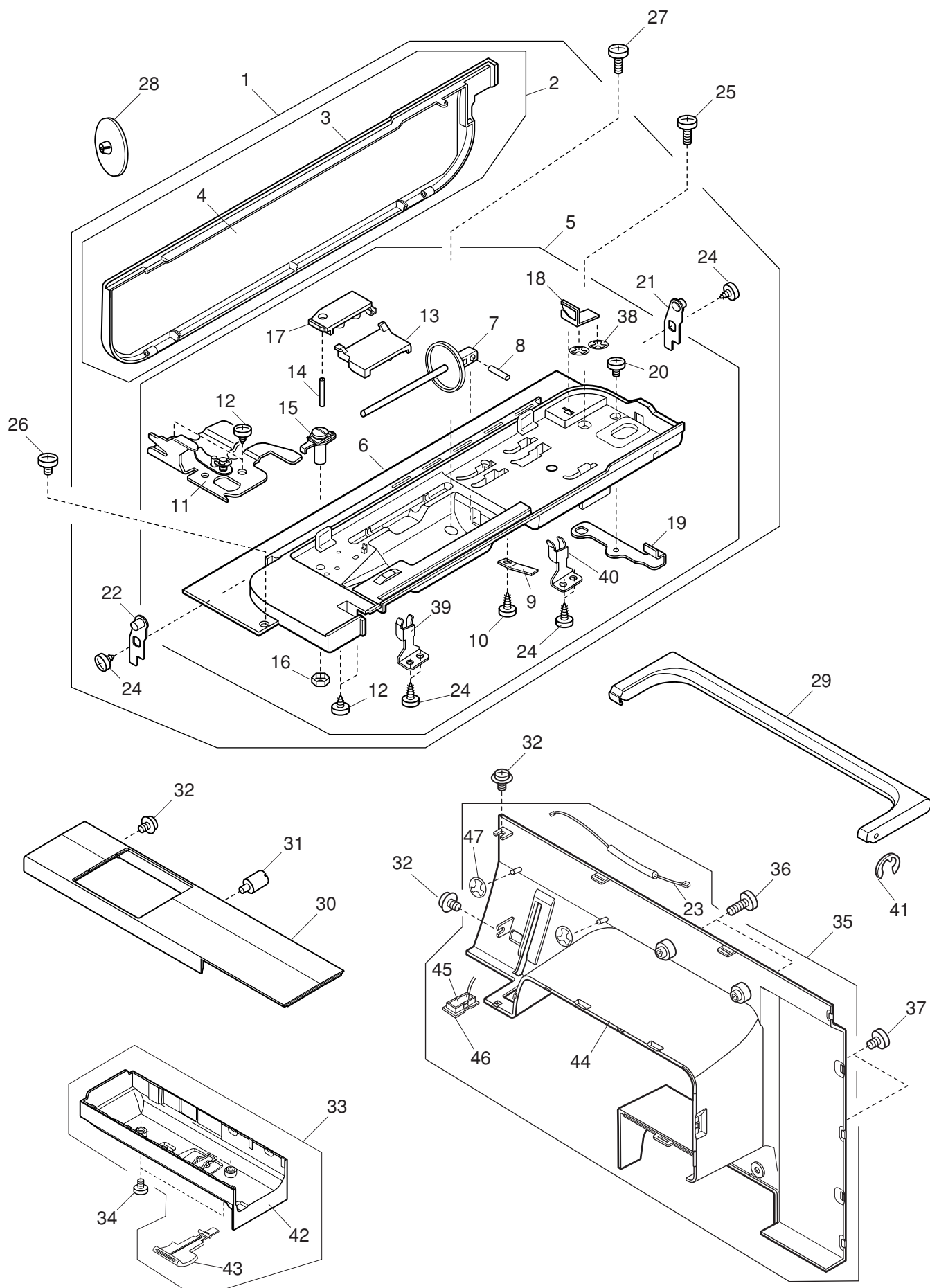
PARTS LIST



PARTS LIST

KEY NO.	PARTS NO.	DESCRIPTION
1	859674007	Front cover (unit)
2	859675008	Front cover (unit)
3	859124100	Front cover
4	859514008	Printed circuit board L4 (unit) (green)
5	859514101	Printed circuit board L4 (unit) (brown)
6	000014306	Snap ring CS-3
7	859131007	Button cover
8	858102109	Start/stop button
9	859666006	Function button (unit)
10	859219103	Button
11	859515009	Printed circuit board F (unit)
12	858105009	Slide volume
13	653507266	Slide volume (unit)
14	859506007	Printed circuit board L1 (unit)
15	858106000	LED cover 2
16	859525105	Printed circuit board L2 (unit)
17	860167006	Lamp cover 2
18	000120203	Setscrew 3x8 (B)
19	859128001	LED back cover
20	859510004	LCD (unit)
21	859535005	Flexible flat cable
22	859512006	Touch panel (unit)
23	859125008	Touch panel sheet
24	859126009	Decoration flame
25	859127000	Decoration panel
26	859516000	Printed circuit board A (unit)
27	859129105	LED decoration plate
28	859130109	Decoration plate (1)
29	859216007	Feed balancing dial cover
30	000115205	Setscrew TP 4x6
31	000114710	Setscrew TP 3x6
32	858137000	Bottom cover
33	626045407	Cap
34	000081005	Setscrew 4x8
35	000161206	Setscrew 3x10 (B)
36	859504005	Extension table (unit)
37	859042000	Extension table
38	859043001	Extension table lid
39	859044002	Extension table cover
40	859146005	Foot tray
41	859267003	Sticker
42	859511005	Light guide panel (LCD backlight white glass, cable included)

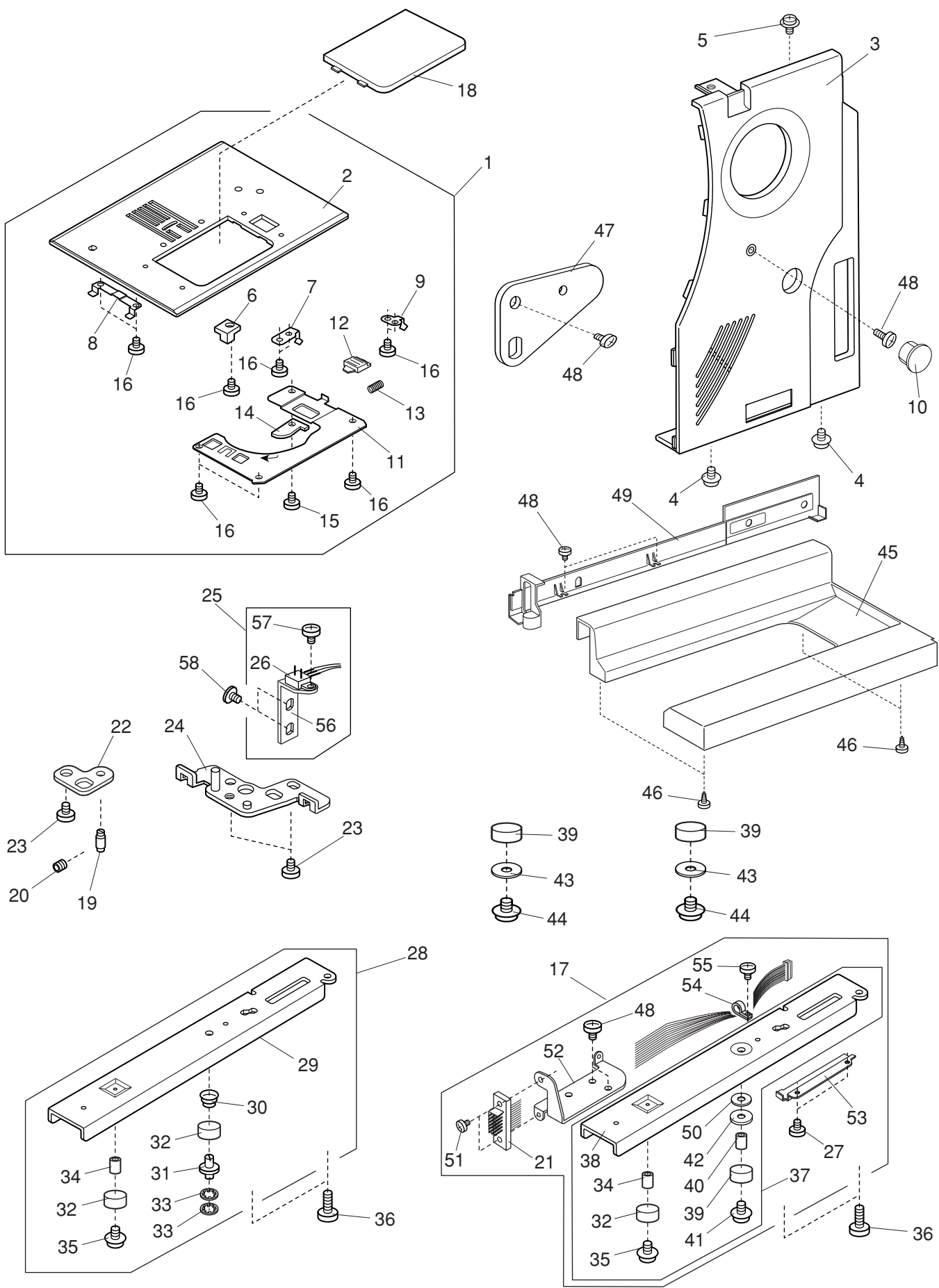
PARTS LIST



PARTS LIST

KEY NO.	PARTS NO.	DESCRIPTION
1	859617002	Top cover (unit)
2	859618003	Top cover (unit)
3	859049007	Top cover
4	859050001	Quick reference chart
5	859619004	Top cover body (unit)
6	859051002	Top cover body
7	859052003	Spool pin
8	822017002	Spool pin shaft
9	822018003	Spool pin spring
10	000107204	Setscrew 3x12 (B)
11	859541004	Thread guide (unit)
12	000107307	Setscrew 3x8 (B)
13	859648002	Thread guide cover (unit)
14	000020202	Spring pin
15	830503005	Bobbin winder thread guide (unit)
16	000160102	Adjustable lock nut 4
17	830011001	Bobbin winder thread guide cover
18	840602109	Thread cutter (unit)
19	830012013	Bobbin winder stopper
20	000103819	Setscrew 3x5
21	858023002	Top cover hinge (right)
22	858023105	Top cover hinge (left)
23	859534004	Cable
24	000120203	Setscrew 3x8 (B)
25	000080901	Setscrew 4x25
26	000066705	Setscrew 3x8
27	000170507	Setscrew 4x12
28	822020503	Spool holder
29	858024003	Carrying handle
30	859613008	Free arm cover (unit)
31	858165100	Pin
32	000115205	Setscrew TP 4x6
33	859614009	Bed cover (unit)
34	000081005	Setscrew 4x8
35	859615000	Rear cover (unit)
36	000104108	Setscrew 4x20
37	000101404	Setscrew 4x6
38	000017701	Snap ring CS-3.5
39	859068002	Top cover hinge (left)
40	859137003	Top cover hinge (right)
41	000001609	Snap ring E-5
42	859039004	Bed cover
43	859040008	Lever
44	859041102	Rear cover
45	859525208	Printed circuit board L2 (unit)
46	860167006	Lamp cover 2
47	000014306	Snap ring CS-3

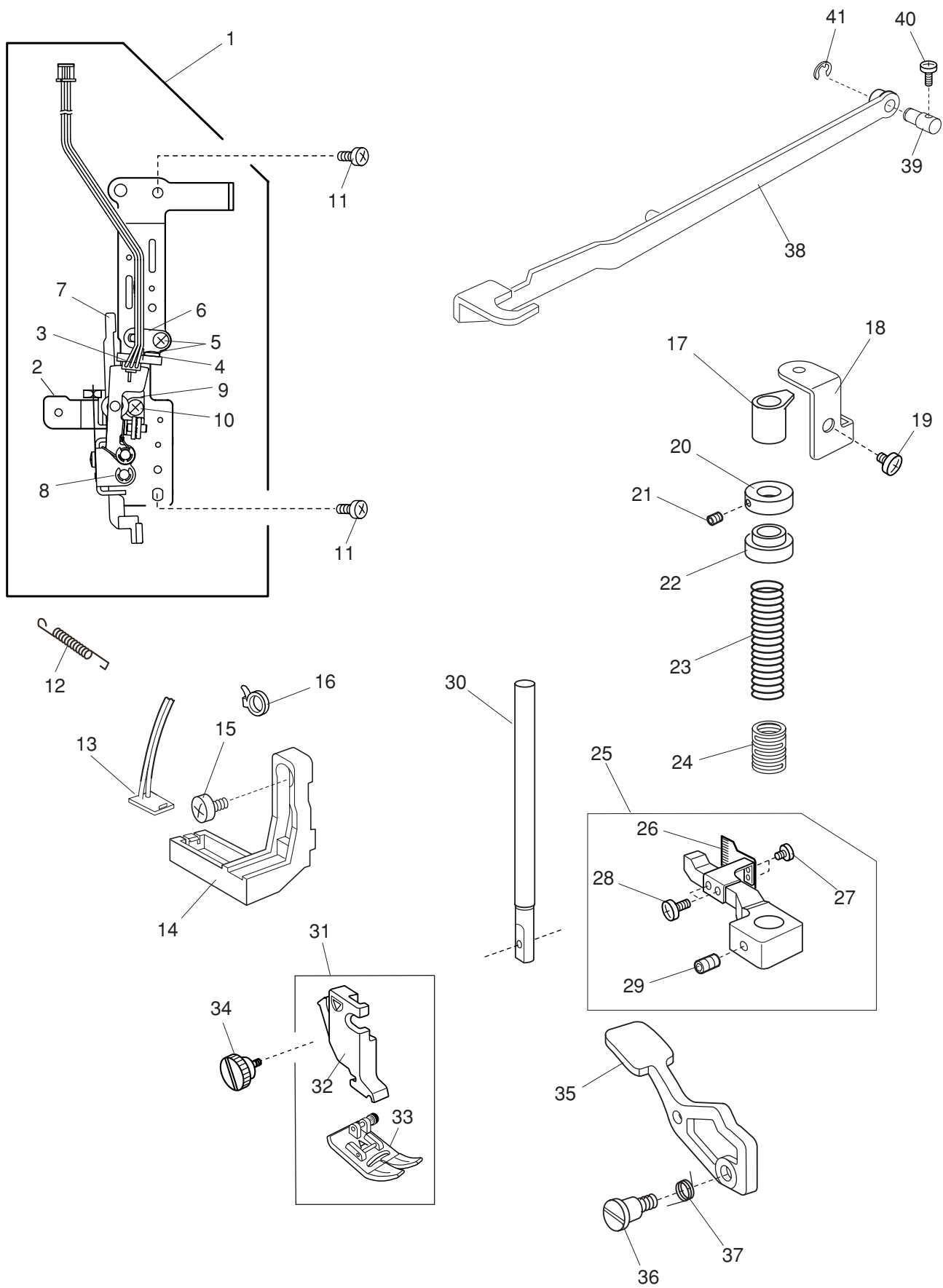
PARTS LIST



PARTS LIST

KEY NO.	PARTS NO.	DESCRIPTION
1	859616001	Needle plate (unit)
2	859045003	Needle plate
3	859136105	Belt cover
4	000115205	Setscrew TP 4x6
5	000114710	Setscrew TP 3x6
6	859046004	Needle plate sensor block
7	859047005	Spring
8	859048006	Needle plate set plate
9	859245005	Spring 2
10	745033002	Cap
11	846030005	Hook cover plate supporter
12	825016000	Hook cover plate release button
13	825017001	Spring
14	809044203	Rotation stopper
15	000097613	Setscrew 2x4
16	820374004	Setscrew 2x2.3
17	859645009	Connector (unit)
18	846271103	Hook cover plate
19	860002002	Needle plate positioning pin
20	000111201	Hexagonal socket screw 4x4
21	859519003	Connector (unit)
22	860003025	Needle plate nut set plate
23	810220106	Setscrew
24	859247007	Needle plate adjusting plate
25	859671004	Needle plate sensor (unit)
26	859524001	Switch (unit)
27	000103808	Setscrew 3x5
28	858601000	Arm sole (front cover side) (unit)
29	858002005	Arm sole
30	858162004	Spring
31	820350004	Adjusting screw
32	605074008	Rubber foot
33	000014409	Snap ring CS-8
34	000141107	Bushing
35	000119106	Setscrew TP 4x10
36	000066808	Setscrew 6x14
37	858601206	Arm sole (unit)
38	858002201	Arm sole
39	797363005	Rubber foot
40	000139709	Bushing
41	000115700	Setscrew TP 4x10
42	858149005	Spacer
43	000070300	Washer 5
44	784169009	Rubber foot setscrew
45	859035103	Base cover
46	000161206	Setscrew 3x10 (B)
47	858114001	Belt cover retaining plate
48	000081005	Setscrew 4x8
49	859036001	Cover
50	000133106	Washer 6
51	000080406	Setscrew 4x10
52	859140009	Connector set plate
53	859249009	Cord cover
54	000188405	Nylon clip
55	000101404	Setscrew 4x6
56	859246006	Switch set plate
57	755096004	Setscrew
58	000193001	Setscrew TP 4x6

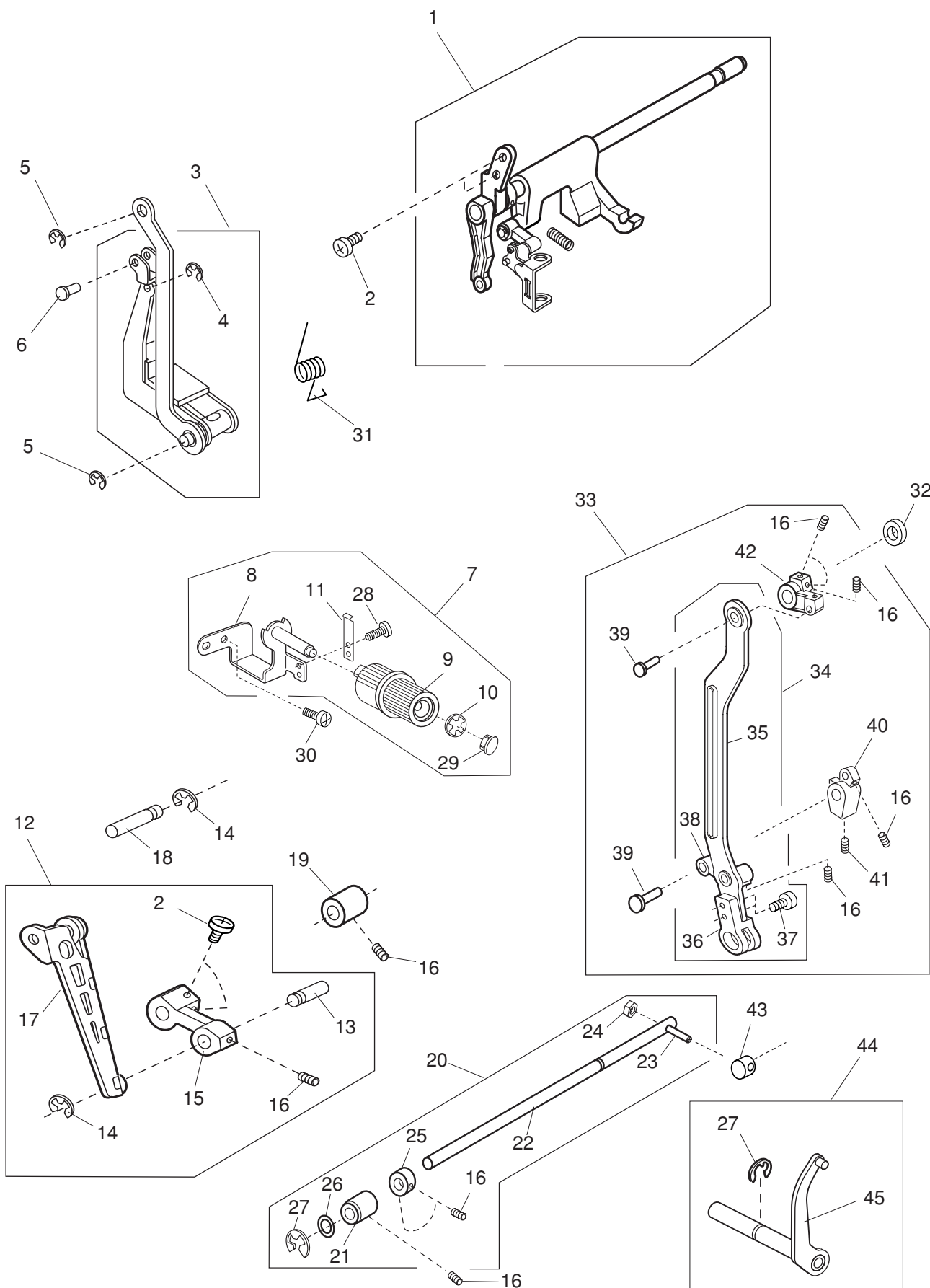
PARTS LIST



PARTS LIST

KEY NO.	PARTS NO.	DESCRIPTION
1	859628006	Front bracket (unit)
2	858031003	Front bracket
3	852502219	Printed circuit board G1 (unit)
4	853028002	Insulation sheet
5	000101105	Setscrew 3x4
6	846044002	Sensor base plate
7	843625107	Buttonhole lever (unit)
8	000002105	Snap ring E-3
9	830057021	Buttonhole lever guide
10	000103808	Setscrew 3x5
11	000081005	Setscrew 4x8
12	844038018	Needle bar supporter spring
13	859525002	Printed circuit board L2 (unit)
14	859232009	LED cover
15	000078319	Setscrew 3x6
16	000053008	Cord binder
17	652104004	Presser bar bushing
18	859075002	Presser bar plate
19	000103705	Setscrew 4x5
20	859076003	Presser foot lifter stopper
21	000216805	Setscrew 3x3
22	859077004	Spring supporter
23	859078005	Presser bar spring
24	859210001	Spring supporter
25	859624002	Presser bar supporter (unit)
26	859081001	Shielding plate
27	000098108	Setscrew 2x3
28	000128603	Setscrew 3x5
29	000111201	Hexagonal socket screw 4x4
30	859082002	Presser bar
31	859508009	Presser foot (unit)
32	859801005	Presser foot holder (unit)
33	859802006	Zigzag foot (unit)
34	846380003	Thumbscrew
35	859027009	Presser foot lifter lever
36	859028000	Setscrew
37	859029001	Spring
38	859070007	Automatic presser foot lifter lever
39	859069003	Presser foot lifter lever shaft
40	000101703	Setscrew 4x12
41	000002507	Snap ring E-4

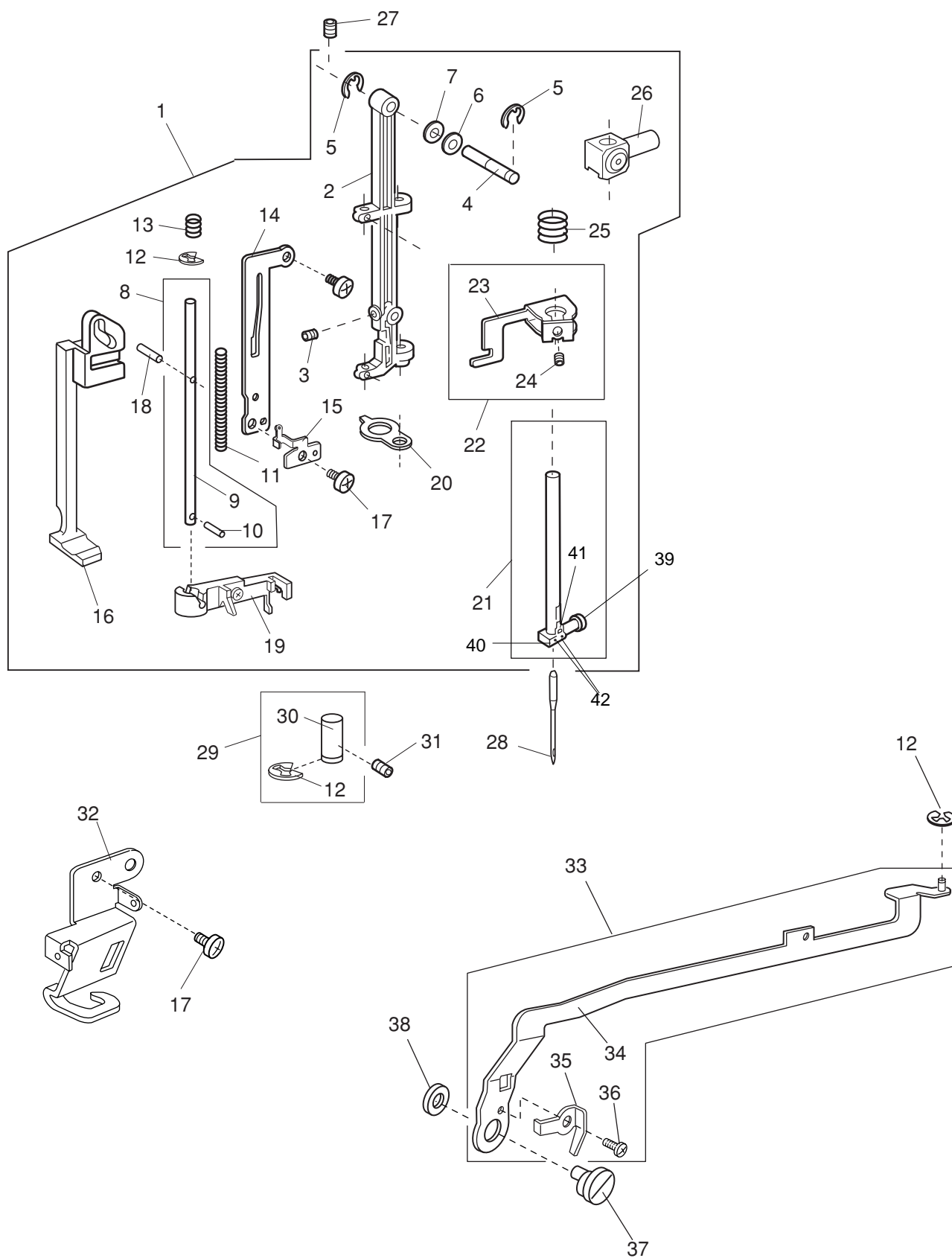
PARTS LIST



PARTS LIST

KEY NO.	PARTS NO.	DESCRIPTION
1	859640004	Upper feed upper shaft (unit)
2	000103509	Setscrew 4x10
3	859627005	Upper feed foot (unit)
4	000002116	Snap ring E-3
5	000002105	Snap ring E-3
6	846327002	Pin (1)
7	858625000	Upper feed adjusting base plate (unit)
8	858072006	Upper feed adjusting base plate
9	846351005	Upper feed adjusting dial
10	000014007	Snap ring CS-4
11	846353007	Dial leaf
12	858623008	Feed connecting link (unit)
13	502258006	Connecting pin
14	000002507	Snap ring E-4
15	846304106	Upper feed lower shaft front arm
16	000111201	Hexagonal socket screw 4x4
17	858068009	Feed connecting link
18	502258109	Connecting pin
19	784071003	Looper shaft bushing
20	858624009	Upper feed lower shaft (unit)
21	846303002	Upper feed lower shaft bushing
22	858069000	Upper feed lower shaft
23	846306005	Upper feed lower shaft rear arm
24	000061102	Nut 4-1-7
25	820166001	Lower shaft ring
26	000038502	Washer
27	000002806	Snap ring E-6
28	000101105	Setscrew 3x4
29	653006101	Cap
30	000081005	Setscrew 4x8
31	858156005	Upper feed upper shaft spring
32	822070003	Felt
33	846580005	Upper feed adjusting arm (unit)
34	846577009	Upper feed connecting link (unit)
35	846309008	Upper feed connecting link
36	846307006	Connecting link
37	000066705	Setscrew 3x8
38	846349000	Upper feed adjusting link
39	820144003	Pin
40	846350004	Upper feed adjusting arm (1)
41	000111304	Hexagonal socket screw 5x5
42	846308007	Upper feed upper shaft rear arm
43	846348009	Rear arm feed lifting roller
44	858644005	Upper feed adjusting arm 2 (unit)
45	858070004	Upper feed adjusting arm 2

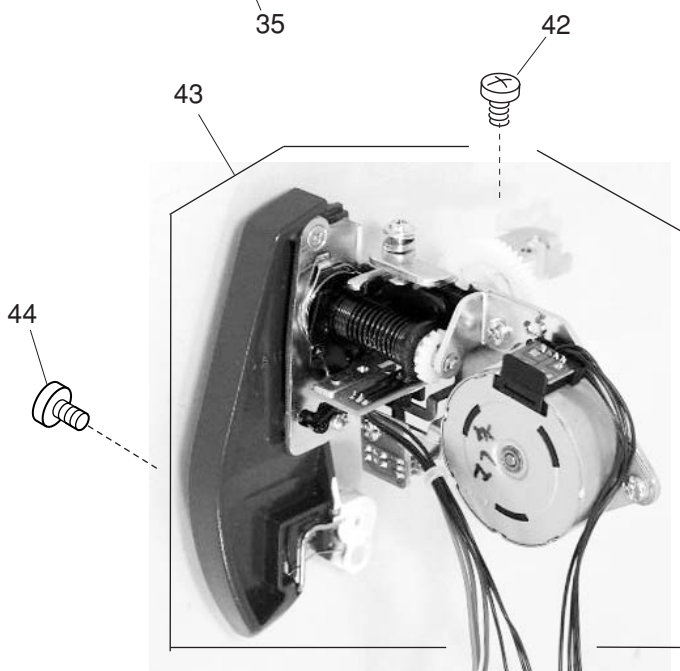
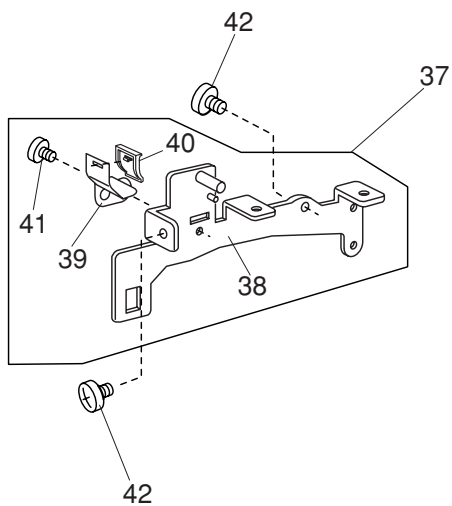
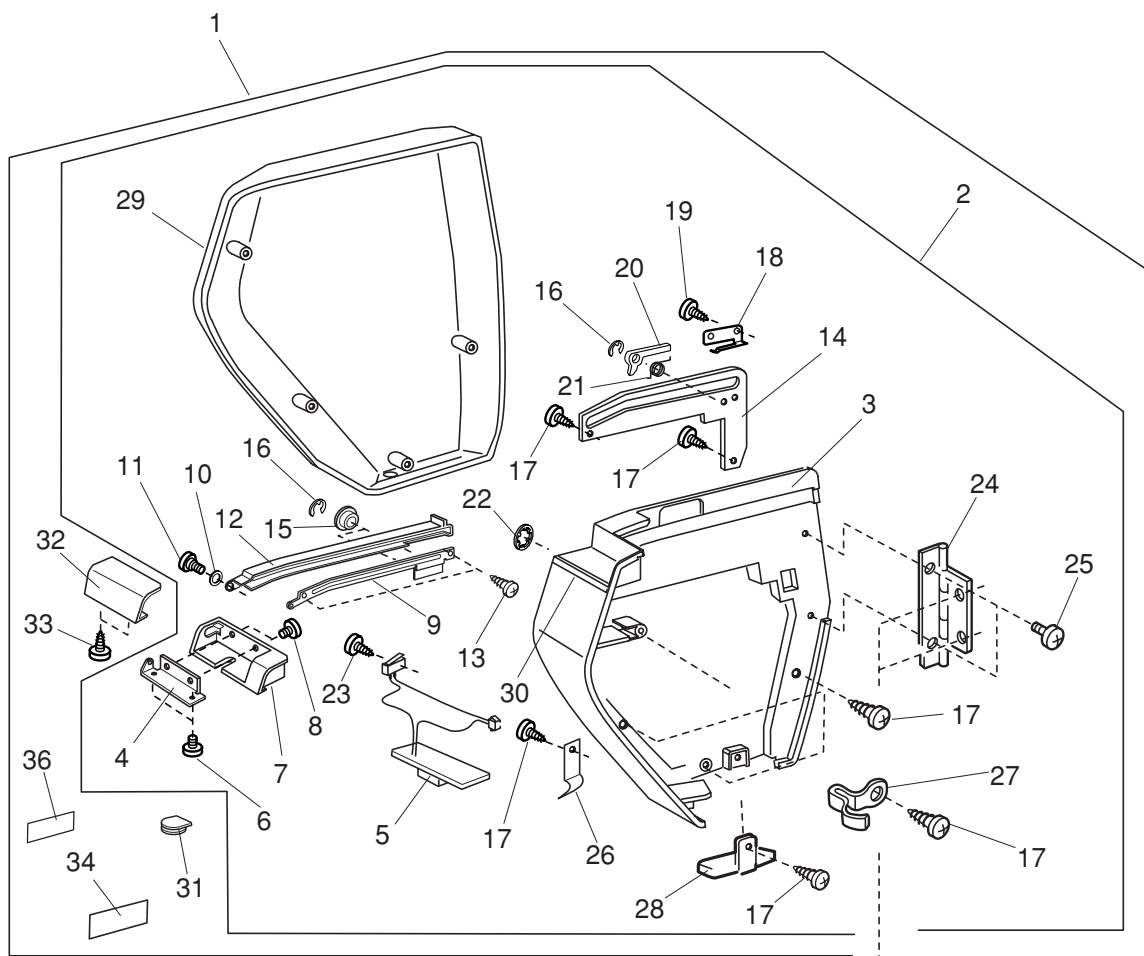
PARTS LIST



PARTS LIST

KEY NO.	PARTS NO.	DESCRIPTION
1	859665005	Needle bar supporter (unit)
2	846047005	Needle bar supporter
3	000111902	Hexagonal socket screw 3x4
4	735144006	Needle bar supporter pin
5	000002507	Snap ring E-4
6	000070609	Washer
7	673022002	Washer
8	846612100	Threader shaft (unit)
9	846048028	Threader shaft
10	000003508	Knock pin
11	842090001	Needle threader spring
12	000002105	Snap ring E-3
13	842096007	Threader lever spring
14	842091002	Threader guide plate
15	844036038	Threader lever plate
16	859111001	Threader lever
17	000078319	Setscrew 3x6
18	000125105	Pin
19	846588014	Threader guard plate (unit)
20	829027006	Supporter guide plate
21	859647001	Needle bar (unit)
22	807607008	Threader position setting plate (unit)
23	807018006	Threader position setting plate
24	000111902	Hexagonal socket screw 3x4
25	858172007	Needle bar supporter spring
26	846515009	Needle bar supporter (unit)
27	000111201	Hexagonal socket screw 4x4
28	647814031	Needle HA1-14
29	842625001	Supporter guide pin (unit)
30	827083004	Supporter guide pin
31	000216805	Hexagonal socket screw 3x3
32	859112002	Arm thread guide
33	859610005	Zigzag width rod (unit)
34	859031006	Zigzag width rod
35	827088009	Zigzag width rod spring
36	820373003	Setscrew
37	678084007	Eccentric pin
38	653037008	Washer
39	826007001	Needle clamp screw
40	822329000	Lower thread guide
41	822330004	Upper thread guide
42	000105501	Small screw

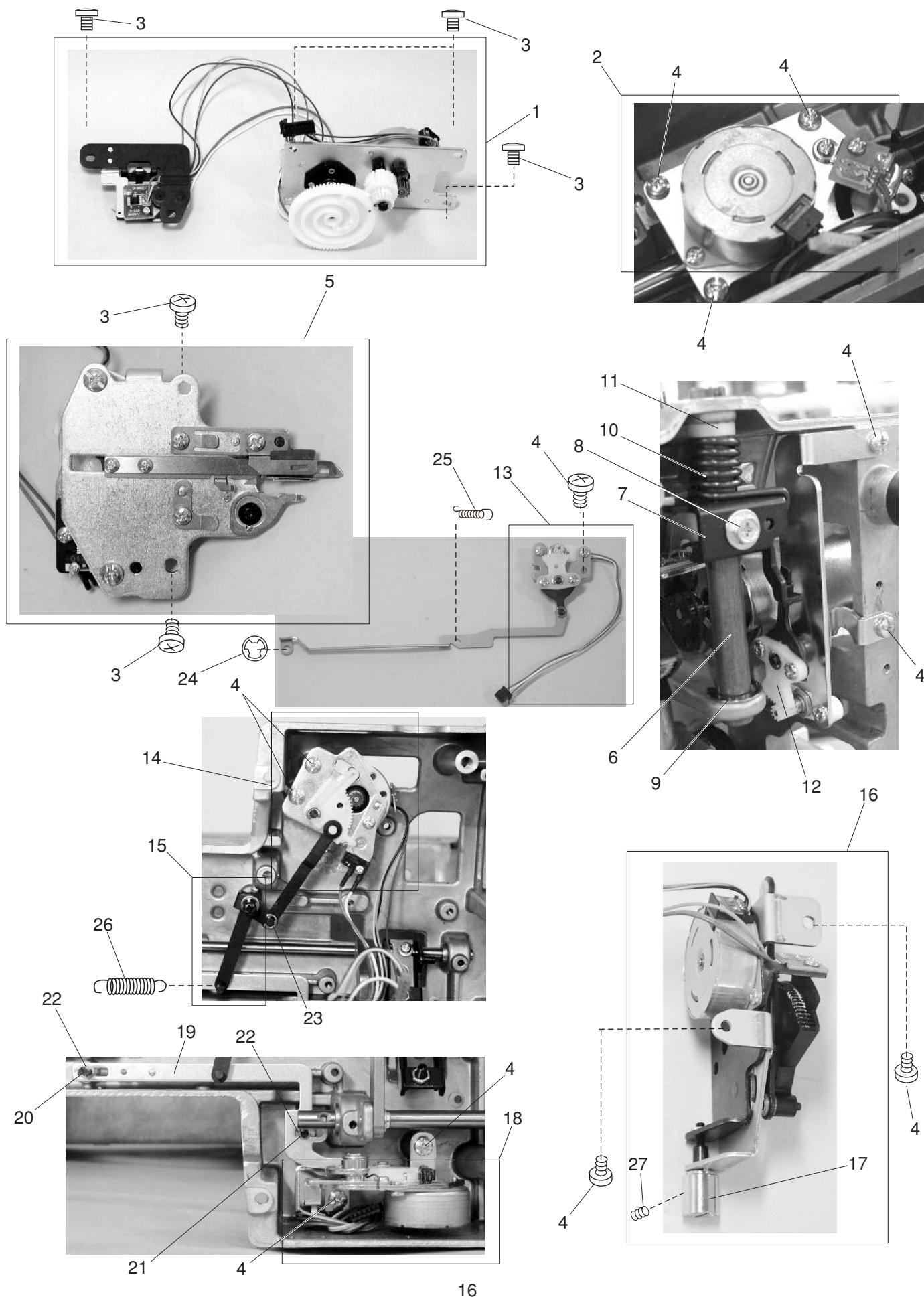
PARTS LIST



PARTS LIST

KEY NO.	PARTS NO.	DESCRIPTION
1	859620008	Face plate (unit) (U.S.A.)
	859620101	Face plate (unit) (Canada)
	859620204	Face plate (unit) (Australia) (UK) (Continental Europe)
2	859621009	Face plate (unit)
3	859057101	Face plate
4	859058009	Board set plate
5	859505006	Printed circuit board L3 (unit)
6	000078319	Setscrew 3x6
7	859059000	Light cover
8	000102508	Setscrew 3x6
9	859061005	Lamp arm
10	000116103	Washer
11	859062006	Setscrew
12	859063007	Lamp arm cover
13	000151708	Setscrew 2.6x6
14	859065009	Face cover lamp guide plate
15	303071000	Ring
16	000001207	Snap ring E-2.5
17	000120203	Setscrew 3x8
18	859224008	Spring
19	000161103	Setscrew 3x6
20	859225009	Lever spring
21	859226000	Spring
22	000014409	Snap ring E-8
23	000102900	Setscrew 2x8
24	851503103	Face plate hinge
25	000066705	Setscrew 3x8
26	859233000	Spring
27	850013005	Face plate spring
28	832508006	Thread cutter (unit)
29	859227001	Face plate cover
30	859228105	Face plate decoration plate
31	859060004	Face plate supporter lamp cover
32	859064101	Decoration plate (2)
33	000163208	Setscrew 2x5
34	830312016	Sticker (U.S.A.)
	100083000	Sticker (Canada)
35	000081119	Setscrew 4x6
36	100517008	Sticker (Canada)
37	859668008	Carrying handle supporter (front) (unit)
38	859066000	Carrying handle supporter (front)
39	859067001	Carrying handle spring
40	859238005	Carrying handle spring cap
41	000101116	Setscrew 3x4
42	000081005	Setscrew 4x8
43	859635006	Thread tension (unit)
44	000101703	Setscrew 4x12

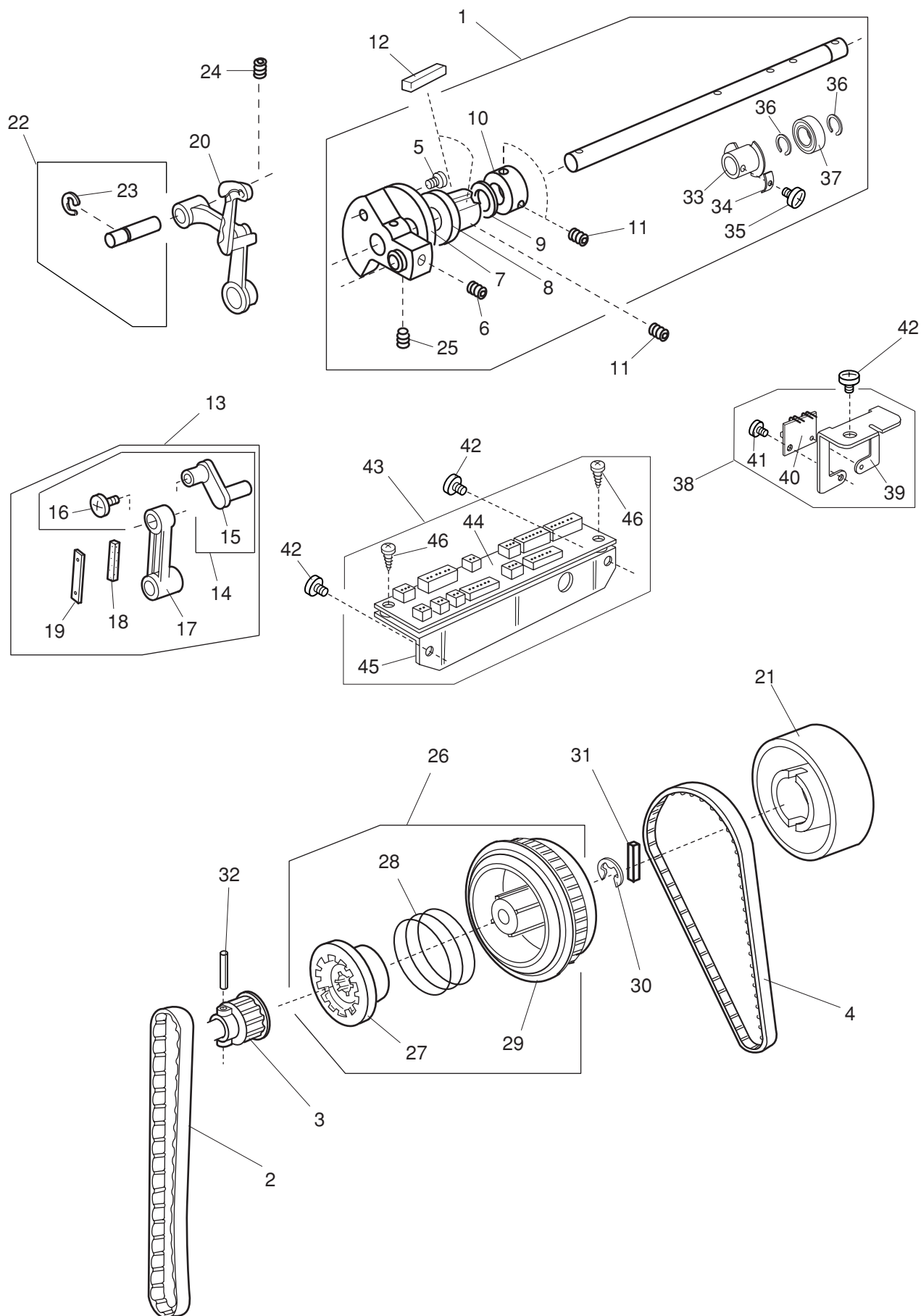
PARTS LIST



PARTS LIST

KEY NO.	PARTS NO.	DESCRIPTION
1	859623001	Presser foot lifter motor (unit)
2	859608000	Zigzag width motor (unit)
3	000101404	Setscrew 4x6
4	000081005	Setscrew 4x8
5	859641005	Automatic thread cutter (unit)
6	858088108	Knee lifter shaft
7	859021003	Knee lifter stopper
8	000138503	Hexagonal socket screw 5x12
9	000002208	Snap ring E-9
10	859022004	Knee lifter stopper spring
11	846297002	Stopper
12	859609001	Knee lifter sensor (unit)
13	859606008	Sensor set plate (unit)
14	859604006	Bobbin thread sensor motor (unit)
15	859605007	Arm (unit)
16	859664004	Feed motor (unit)
17	859215006	Feed balancing dial
18	859607009	Drop feed motor (unit)
19	859012001	Feed dog driving plate
20	859260006	Pin
21	858169001	Pin
22	000001207	Snap ring E-2.5
23	000002105	Snap ring E-3
24	000013707	Snap ring CS-2.4
25	859011000	Spring
26	859013002	Spring
27	000110200	Hexagonal socket screw 4x4 WP

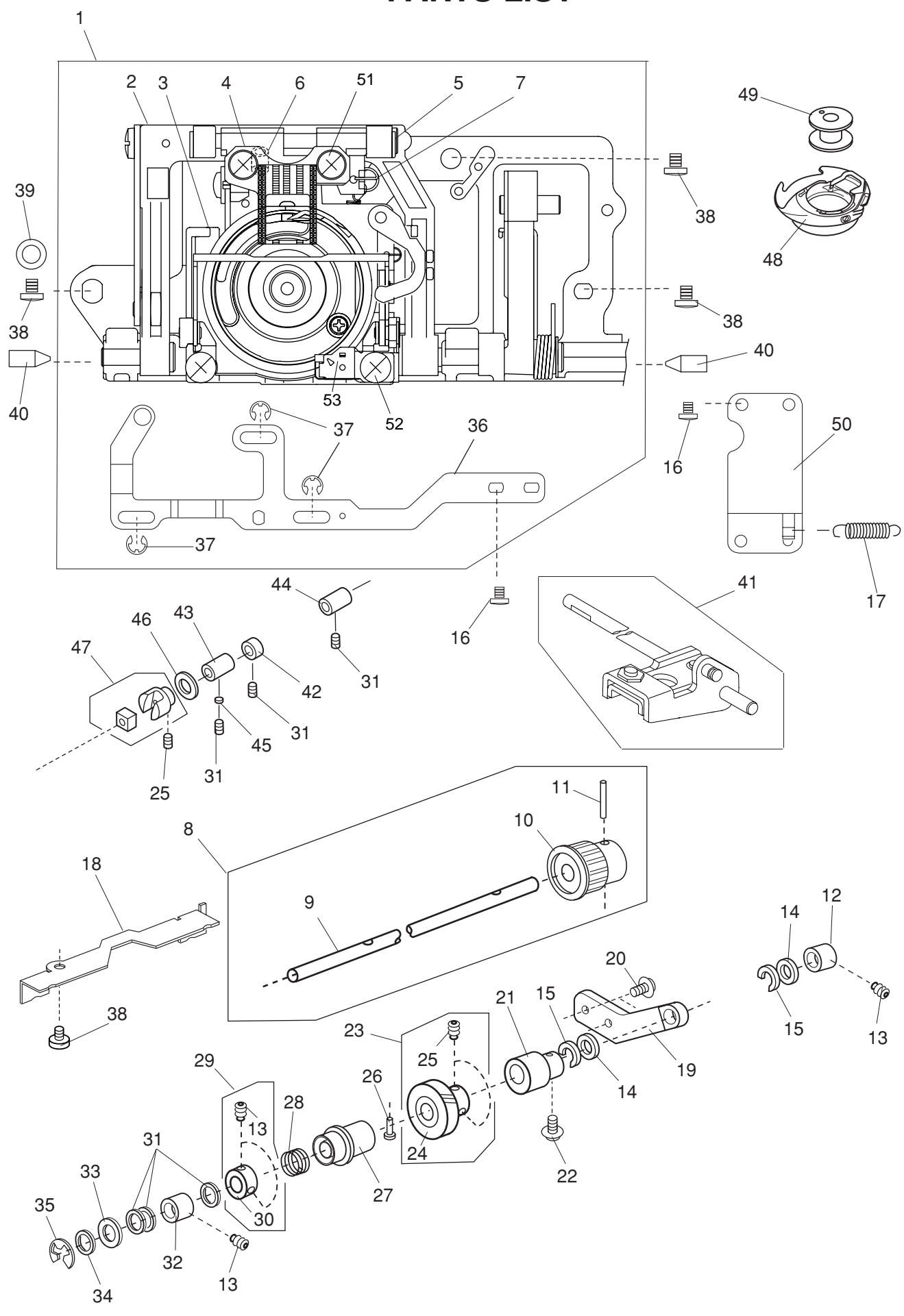
PARTS LIST



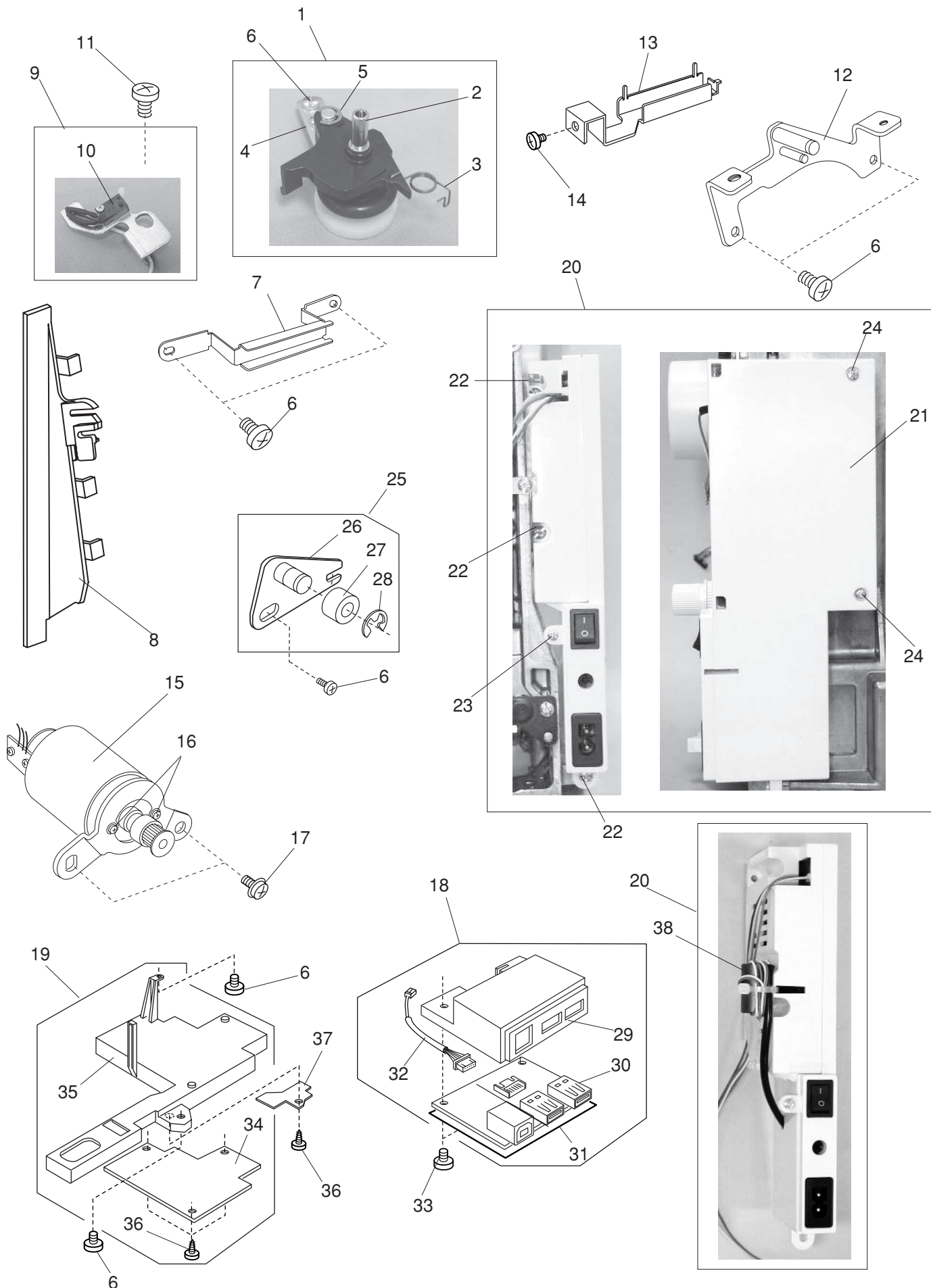
PARTS LIST

KEY NO.	PARTS NO.	DESCRIPTION
1	859650007	Upper shaft (unit)
2	846098001	Timing belt
3	858052000	Upper shaft gear
4	858118005	Timing belt
5	000078319	Setscrew 3x6
6	000110901	Hexagonal socket screw 5x4
7	859214005	Upper feed lifting cam
8	670079201	Upper shaft front bushing
9	000040105	Washer
10	767077006	Ring
11	000111304	Hexagonal socket screw 5x5
12	731312005	Felt
13	846615103	Needle bar crank (unit)
14	843543007	Needle bar crank pin (unit)
15	652143005	Needle bar crank pin
16	647139002	Needle bar crank pin knob
17	650039001	Needle bar crank rod
18	650040005	Felt
19	650041006	Spring
20	820511108	Thread take-up lever (unit)
21	858055003	Handwheel
22	650626001	Thread take-up lever pin (unit)
23	000002806	Snap ring E-6
24	000111201	Hexagonal socket screw 4x4
25	000111706	Hexagonal socket screw 5x8
26	858647008	Belt wheel (unit)
27	858053001	Clutch ring
28	502065004	Clutch spring
29	858054002	Belt wheel
30	000030009	Snap ring E-10
31	000024206	Pin 3x30
32	000004303	Pin 3x20
33	859055006	Upper shaft shield plate
34	859033008	Washer
35	000080406	Setscrew 3x10
36	000032702	Snap ring crescent
37	757178008	Ball bearing
38	859646000	Upper shaft sensor (unit)
39	859056007	Sensor set plate
40	843505100	Printed circuit board P (unit)
41	000101105	Setscrew 3x4
42	000081005	Setscrew 4x8
43	859611006	Printed circuit board U1 (unit)
44	859502003	Printed circuit board U1
45	859032007	U1 set plate
46	000120203	Setscrew 3x8

PARTS LIST



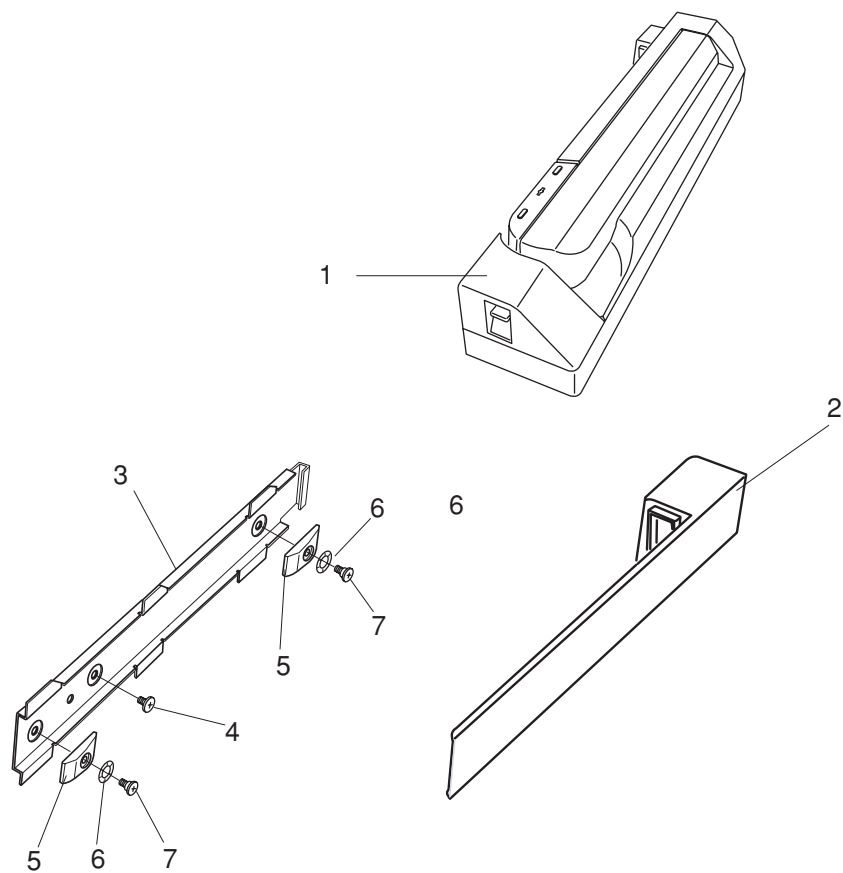
PARTS LIST



PARTS LIST

KEY NO.	PARTS NO.	DESCRIPTION
1	858637016	Bobbin winder (unit)
2	858509018	Bobbin winder (unit)
3	858174009	Bobbin winder arm spring
4	858111008	Bobbin winder set plate
5	000001609	Snap ring E-5
6	000081005	Setscrew 4x8
7	858113000	Cord guide
8	858145012	Cord guide plate
9	858646007	Bobbin winder switch (unit)
10	852510405	Micro switch (unit)
11	000101404	Setscrew 4x6
12	859134000	Rear set plate
13	859248008	Upper cord guide
14	000103705	Setscrew 4x5
15	859612007	DC motor (unit)
16	000115009	Set screw TP 3x8
17	000115607	Set screw TP 4X8
18	859644008	Printed circuit board B case (unit)
19	859643007	Printed circuit board U2 (unit)
20	858640207	Switching power supply (unit) (U.S.A.) (Canada)
	858640300	Switching power supply (unit) (Australia)
	859676205	Switching power supply (unit) (UK) (Continental Europe)
21	858120000	Switching power supply plate
22	000103509	Setscrew 4x10
23	000161206	Setscrew 3x10
24	000119704	Setscrew 3x14
25	860608004	Idler (unit)
26	860021007	Idler base
27	625217100	Idler
28	000002806	Snap ring E-6
29	859147006	Printed circuit board B case
30	859518002	Printed circuit board B (unit)
31	859244004	Insulation sheet
32	859537007	Cable
33	000170507	Setscrew 4x12
34	859517001	Printed circuit board U2 (unit)
35	859135001	Cord guide
36	000120203	Setscrew 3x8
37	859250003	Cord cover plate
38	808108007	Ferrite core (Australia) (UK) (Continental Europe)

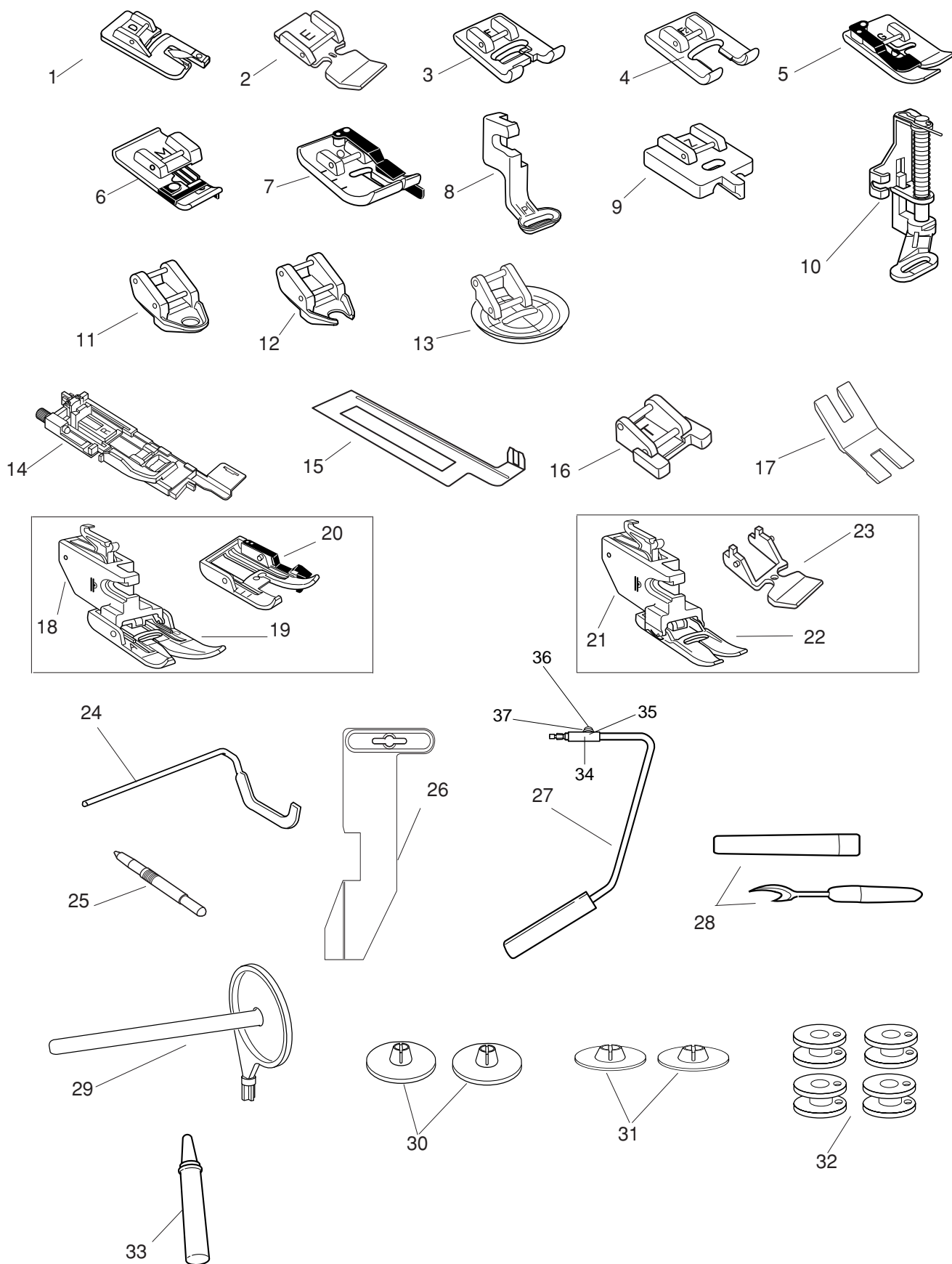
PARTS LIST



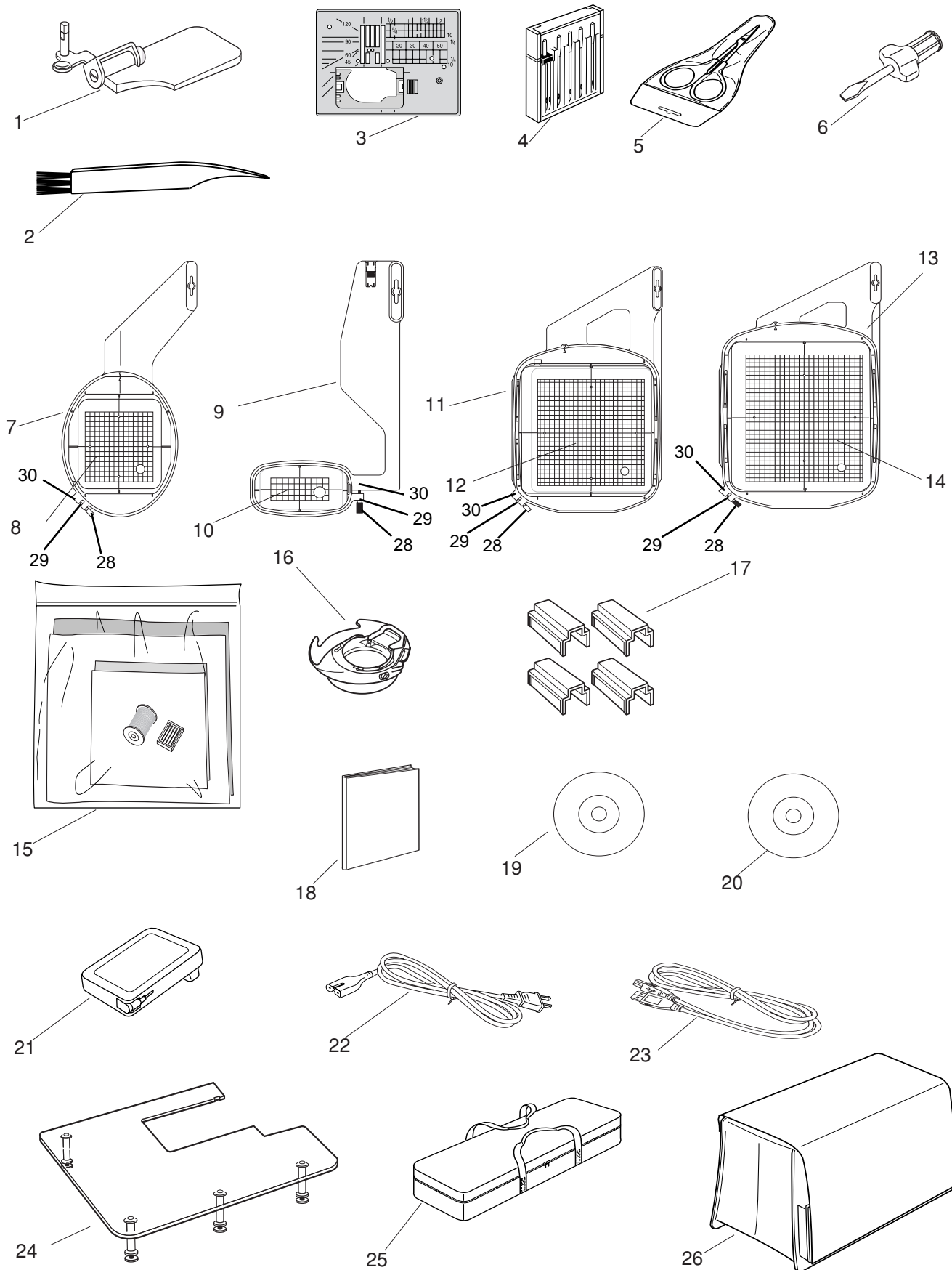
PARTS LIST

KEY NO.	PARTS NO.	DESCRIPTION
1	859651008	Embroidery unit
2	859148007	Cover
3	859138004	Rail
4	810220003	Setscrew
5	859039005	Cushion
6	000116000	Washer
7	859273002	Setscrew

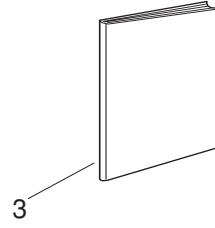
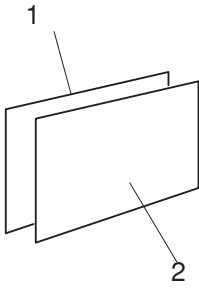
PARTS LIST



PARTS LIST



PARTS LIST



PARTS LIST

KEY NO.	PARTS NO.	DESCRIPTION
1	859842008	Key icon reference chart (English)
	859842204	Key icon reference chart (French)
	859842400	Key icon reference chart (Dutch)
	859842307	Key icon reference chart (German)
	859842101	Key icon reference chart (Spanish)
	859842802	Key icon reference chart (Norwegian)
	859842709	Key icon reference chart (Swedish)
	859842905	Key icon reference chart (Danish)
	859842503	Key icon reference chart (Italian)
	859872100	Key icon reference chart (Portugal)
2	859860002	Key icon reference chart (English) (Embroidery)
	859860208	Key icon reference chart (French)
	859860404	Key icon reference chart (Dutch)
	859860301	Key icon reference chart (German)
	859860105	Key icon reference chart (Spanish)
	859860806	Key icon reference chart (Norwegian)
	859860703	Key icon reference chart (Swedish)
	859860909	Key icon reference chart (Danish)
	859860507	Key icon reference chart (Italian)
	859873101	Key icon reference chart (Portugal)
3	859800004	Instruction book (English)
	859800303	Instruction book (French)
	859800509	Instruction book (Dutch)
	859800406	Instruction book (German)
	859800200	Instruction book (Spanish)
	859800901	Instruction book (Norwegian)
	859800808	Instruction book (Swedish)
	859871006	Instruction book (Danish)
	859800602	Instruction book (Italian)
	859871202	Instruction book (Portugal)