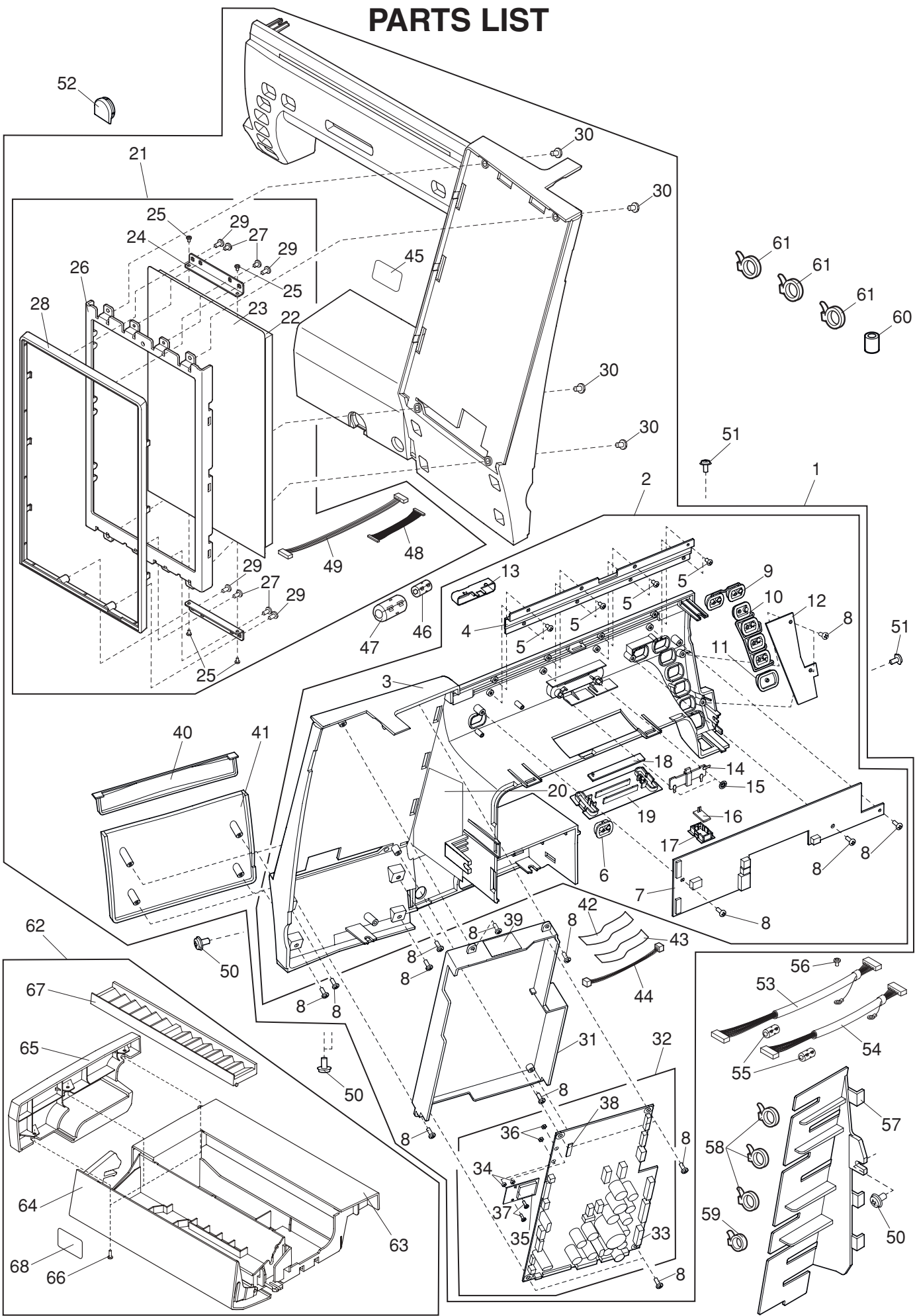
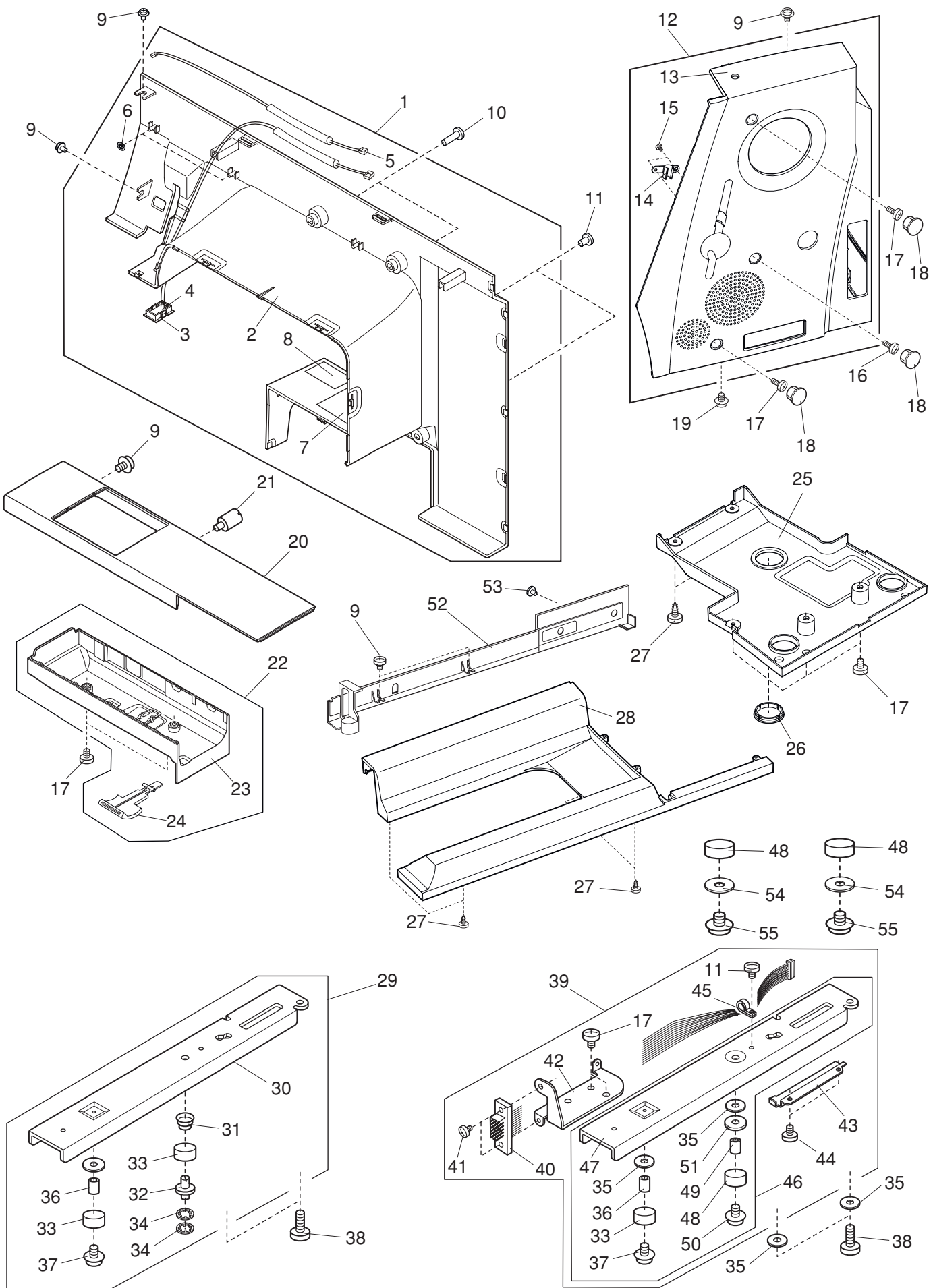


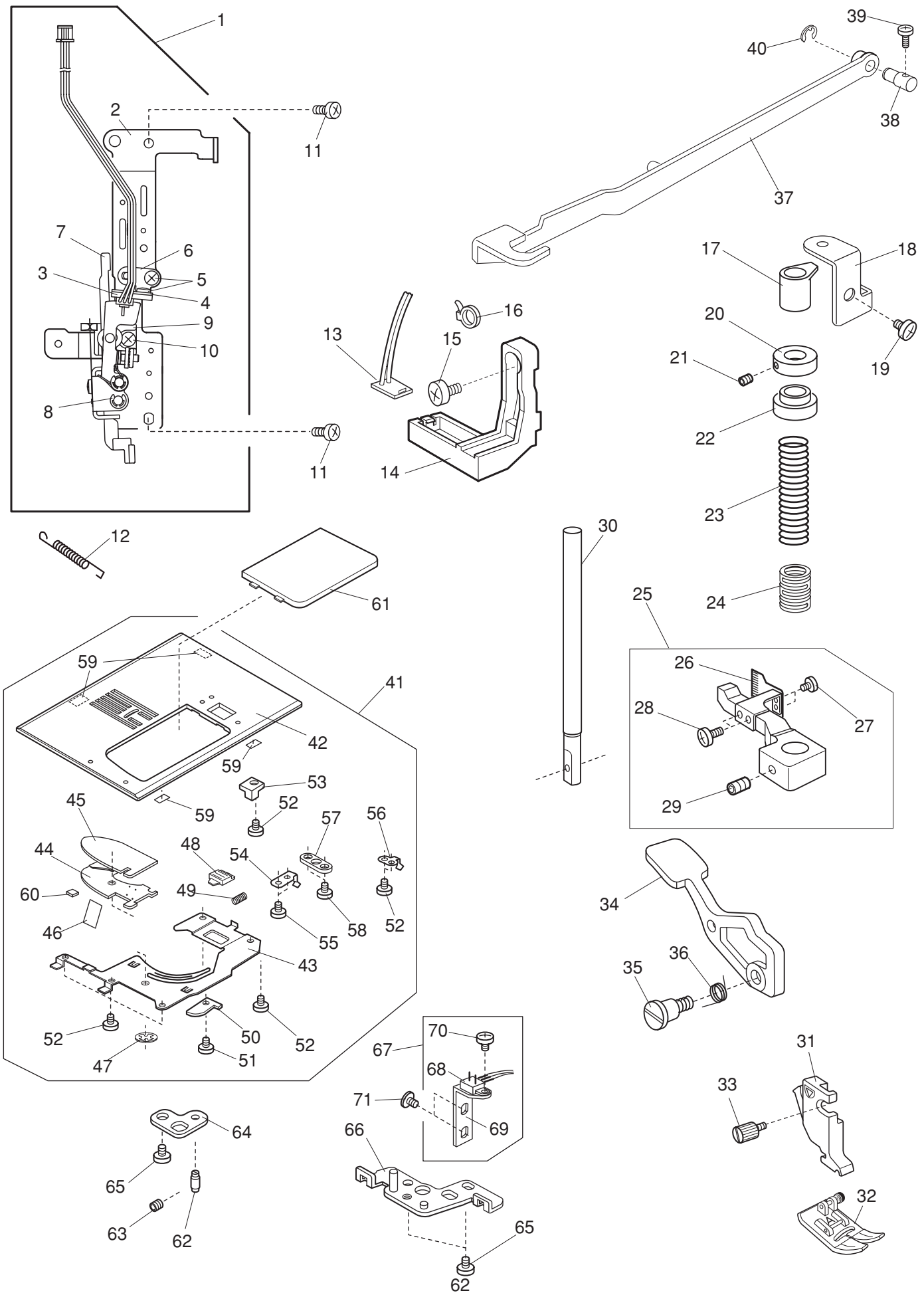
PARTS LIST



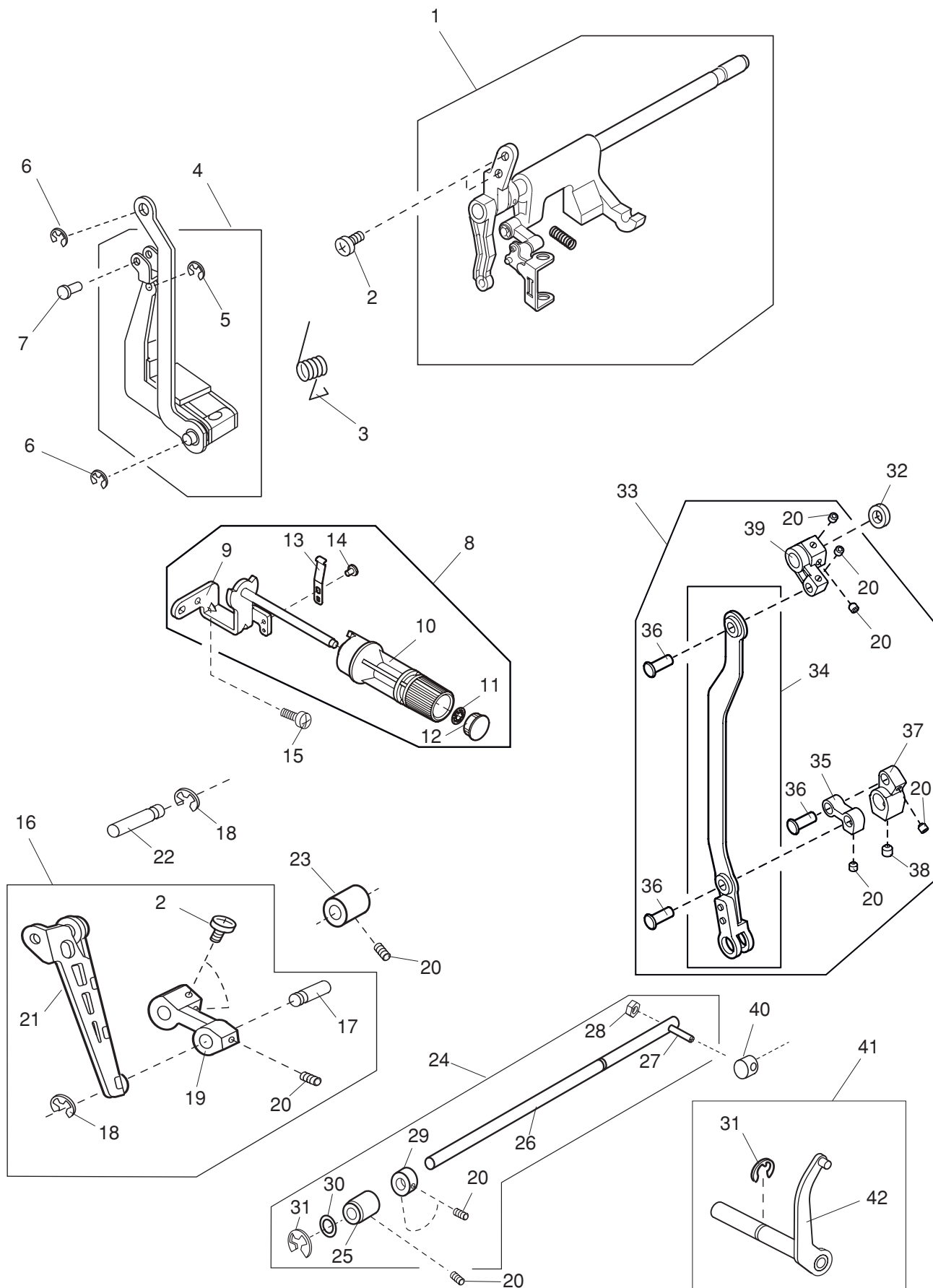
PARTS LIST



PARTS LIST



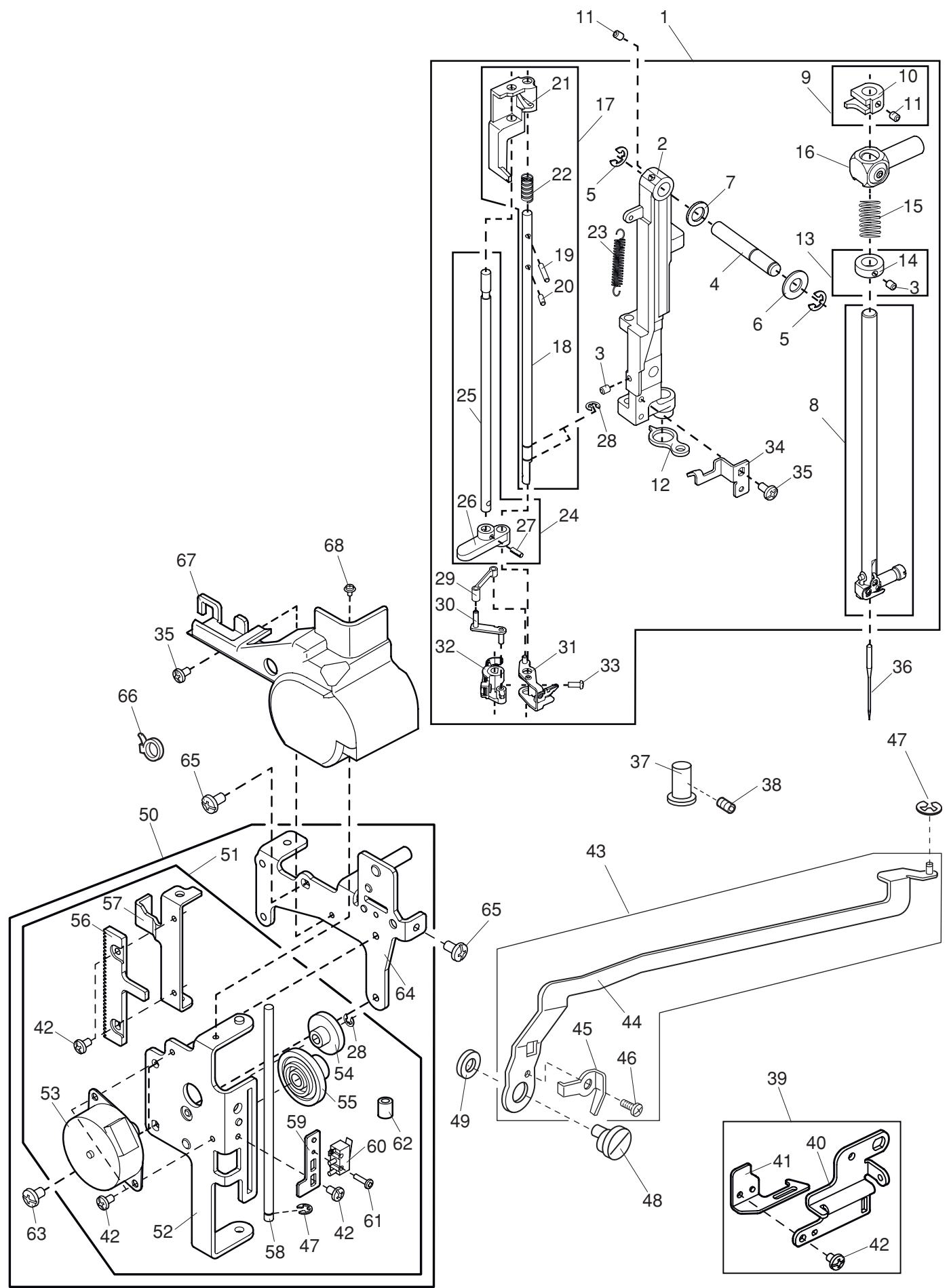
PARTS LIST



PARTS LIST

KEY NO.	PARTS NO.	DESCRIPTION
1	859640004	Upper feed upper shaft (unit)
2	000103509	Setscrew 4x10
3	858156005	Upper feed upper shaft spring
4	859627016	Upper feed foot (unit)
5	000002116	Snap ring E-3
6	000002105	Snap ring E-3
7	846327002	Pin (1)
8	862634005	Upper feed adjusting base plate (unit)
9	862085005	Upper feed adjusting base plate
10	862086006	Upper feed adjusting dial
11	000013903	Snap ring CS-5
12	862126009	Cap
13	846353007	Dial leaf
14	000101105	Setscrew 3x4
15	000081005	Setscrew 4x8
16	858623008	Feed connecting link (unit)
17	502258006	Connecting pin
18	000002507	Snap ring E-4
19	846304106	Upper feed lower shaft front arm
20	000111201	Hexagonal socket screw 4x4
21	858068009	Feed connecting link
22	502258109	Connecting pin
23	784071003	Looper shaft bushing
24	858624009	Upper feed lower shaft (unit)
25	846303002	Upper feed lower shaft bushing
26	858069000	Upper feed lower shaft
27	846306005	Upper feed lower shaft rear arm
28	000061102	Nut 4-1-7
29	820166001	Lower shaft ring
30	000038502	Washer ø8x0.5
31	000002806	Snap ring E-6
32	822070003	Felt
33	846580005	Upper feed adjusting arm (unit)
34	846577009	Upper feed connecting link (unit)
35	846349000	Upper feed adjusting link
36	820144003	Pin
37	846350004	Upper feed adjusting arm (1)
38	000111304	Hexagonal socket screw 5x5
39	846308007	Upper feed upper shaft rear arm
40	846348009	Rear arm feed lifting roller
41	858644005	Upper feed adjusting arm 2 (unit)
42	858070004	Upper feed adjusting arm 2

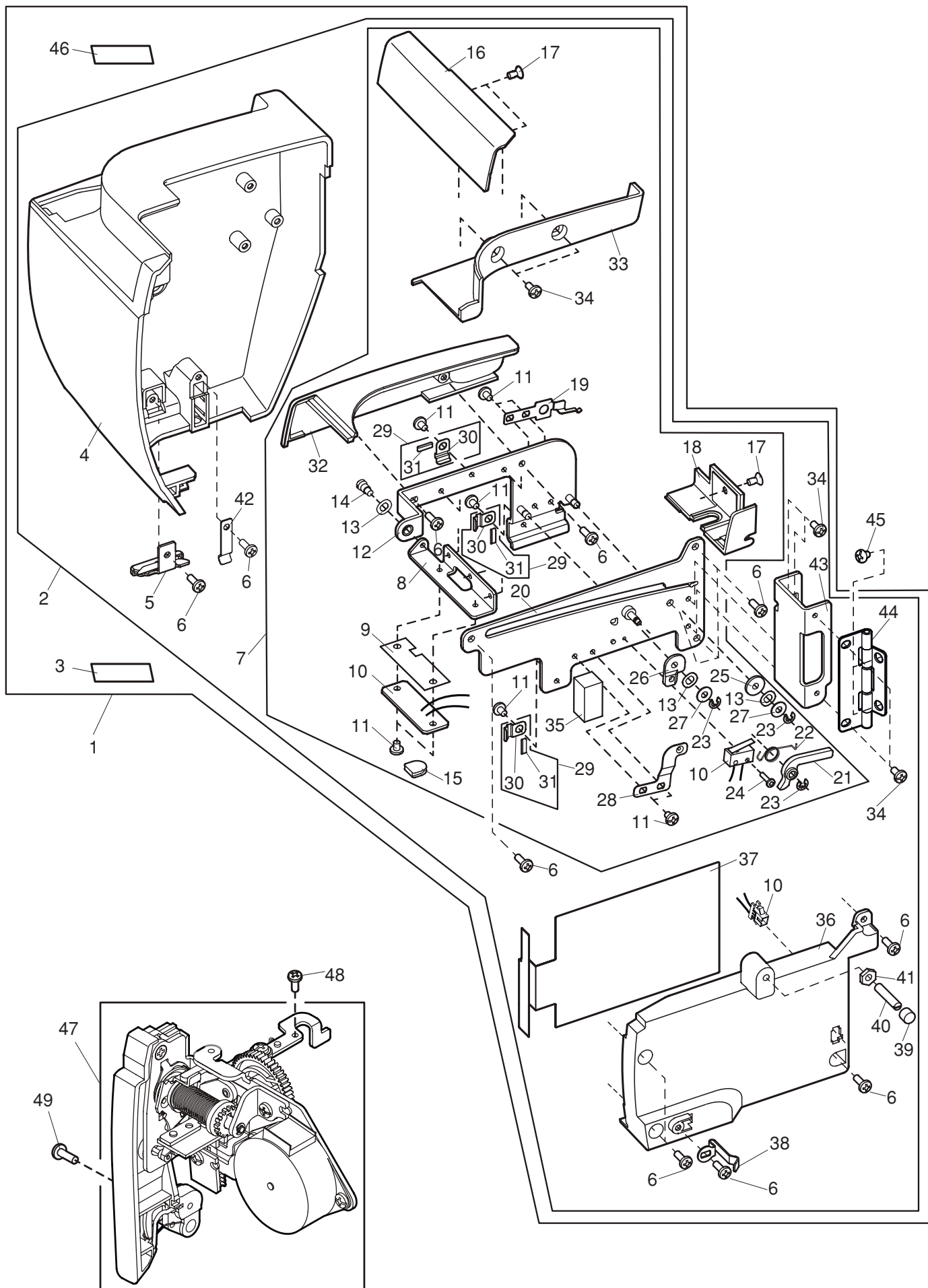
PARTS LIST



PARTS LIST

KEY NO.	PARTS NO.	DESCRIPTION	KEY NO.	PARTS NO.	DESCRIPTION
1	862623001	Needle bar supporter (unit)	39	862651008	Arm thread guide (unit)
2	858250000	Needle bar supporter	40	862081001	Arm thread guide
3	000111902	Hexagonal socket screw 3x4	41	862133009	Thread guide plate
4	735144006	Needle bar supporter pin	42	000101116	Setscrew 3x4
5	000002507	Snap ring E-4	43	858677007	Zigzag width rod (unit)
6	000070609	Washer 6	44	858277003	Zigzag width rod
7	673022002	Washer	45	827088009	Zigzag width rod spring
8	858538005	Needle bar (unit)	46	820373003	Setscrew
9	858540000	Rotation pin stopper (unit)	47	000002105	Snap ring E-3
10	858254004	Rotation pin stopper	48	678084100	Eccentric pin
11	000111201	Hexagonal socket screw 4x4	49	000072014	Washer 5
12	829027006	Supporter guide plate	50	862652009	Threader plate (all unit)
13	858541001	Threader guide ring (unit)	51	862622000	Threader plate (unit)
14	858276002	Threader guide ring	52	862046004	Threader plate
15	858172007	Needle bar supporter spring	53	808509301	Motor (unit)
16	846515009	Needle bar supporter (unit)	54	862047005	Gear
17	862624002	Threader shaft (unit)	55	862048006	Pinion
18	858255016	Threader shaft	56	862049007	Rack
19	000265500	Knock pin 2x12-CH	57	862050001	Threader guide plate
20	000265603	Knock pin 2x6-CH	58	862051002	Threader shaft
21	862055006	Threader arm	59	862052003	Switch set plate
22	858257007	Needle threader spring	60	850507311	Switch (unit)
23	862056007	Needle threader return spring	61	000102900	Setscrew 2x8
24	862625003	Threader supporter shaft (unit)	62	000560106	Ferrite core
25	858259009	Threader supporter shaft	63	000101404	Setscrew 4x6
26	858260003	Threader guide	64	862042000	Carrying handle supporter (front)
27	000022204	Knock pin 2x6	65	000081005	Setscrew 4x8
28	000001207	Snap ring E-2.5	66	000053008	Cord binder
29	858265008	Link plate 1	67	862053004	Motor cover
30	858266009	Link plate 2	68	000114710	Setscrew TP 3x6
31	862626004	Threader guard plate (unit)			
32	862627005	Hook holder (unit)			
33	000230403	Setscrew 2x5			
34	862064008	Spring supporter			
35	000078320	Setscrew 3x6			
36	647814031	Needle HA1-14			
37	827083004	Supporter guide pin			
38	000216805	Hexagonal socket screw 3x3			

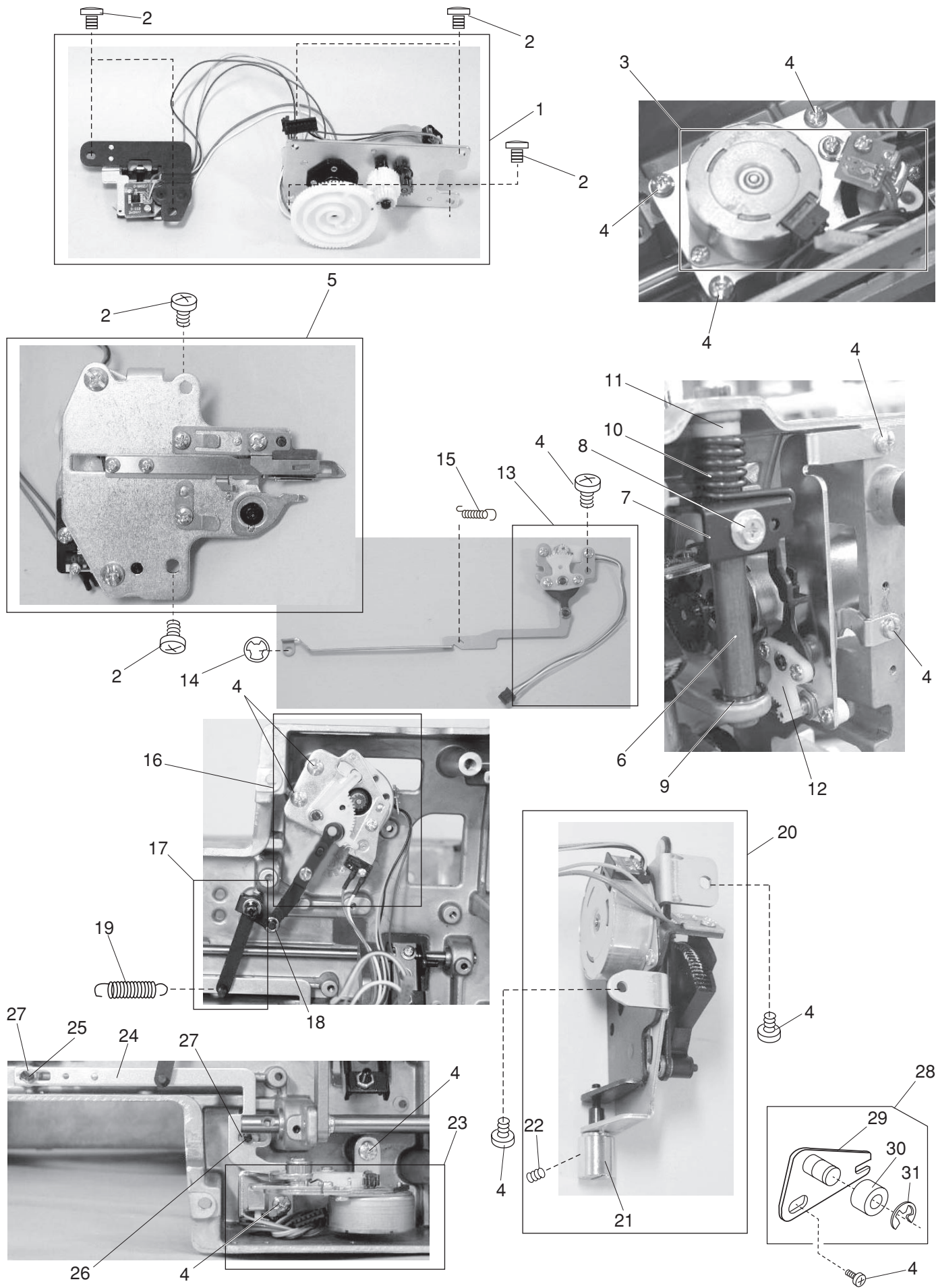
PARTS LIST



PARTS LIST

KEY NO.	PARTS NO.	DESCRIPTION
1	862645009	Face plate (unit) (U.S.A.)
	862645102	Face plate (unit) (Canada)
	862645205	Face plate (unit) (Australia) (UK) (Continental Europe)
2	862616001	Face plate (unit)
3	830312016	Caution sticker (U.S.A.)
	100083000	Caution sticker (Canada)
4	862028103	Face plate
5	832508006	Thread cutter (unit)
6	000120203	Setscrew 3x8 (B)
7	862617002	Face cover lamp (unit)
8	862029001	Board L3 set plate
9	862142001	Insulation sheet (for P.C.B L3)
10	859505109	Printed circuit board L3 (unit) (with microswitch and connector)
11	000101116	Setscrew 3x4
12	862030005	Lamp arm
13	000116103	Washer 4
14	859062006	Setscrew
15	859060004	Lamp cover
16	862031109	Face plate 2
17	000102508	Setscrew 3x6
18	862032007	Face plate 3
19	862033008	Index spring
20	862034009	Face cover lamp guide plate
21	859225009	Lever
22	862035000	Lever spring
23	000001207	Snap ring E-2.5
24	000102900	Setscrew 2x8
25	303071000	Ring
26	862131007	Ring guide
27	000070126	Washer 3
28	862130006	Click spring
29	862618003	Cord guide (unit)
30	862036001	Cord guide
31	850225002	PVC tube
32	862037002	Face plate 4
33	862038003	Face plate 5
34	000078319	Setscrew 3x6
35	862140009	Gasket
36	862039004	Face plate 6
37	862139005	Face plate shielding sheet
38	850013005	Face plate spring
39	685042005	Supporter stopper
40	000082800	Setscrew
41	000160102	Adjustable lock nut 4
42	859233000	Magnifier fixing plate
43	862041009	Hinge set plate
44	851503103	Hinge (unit)
45	000081119	Setscrew 4x6
46	100517008	Caution sticker (Canada)
47	862632003	Thread tension (unit)
48	000081005	Setscrew 4x8
49	000101703	Setscrew 4x12

PARTS LIST



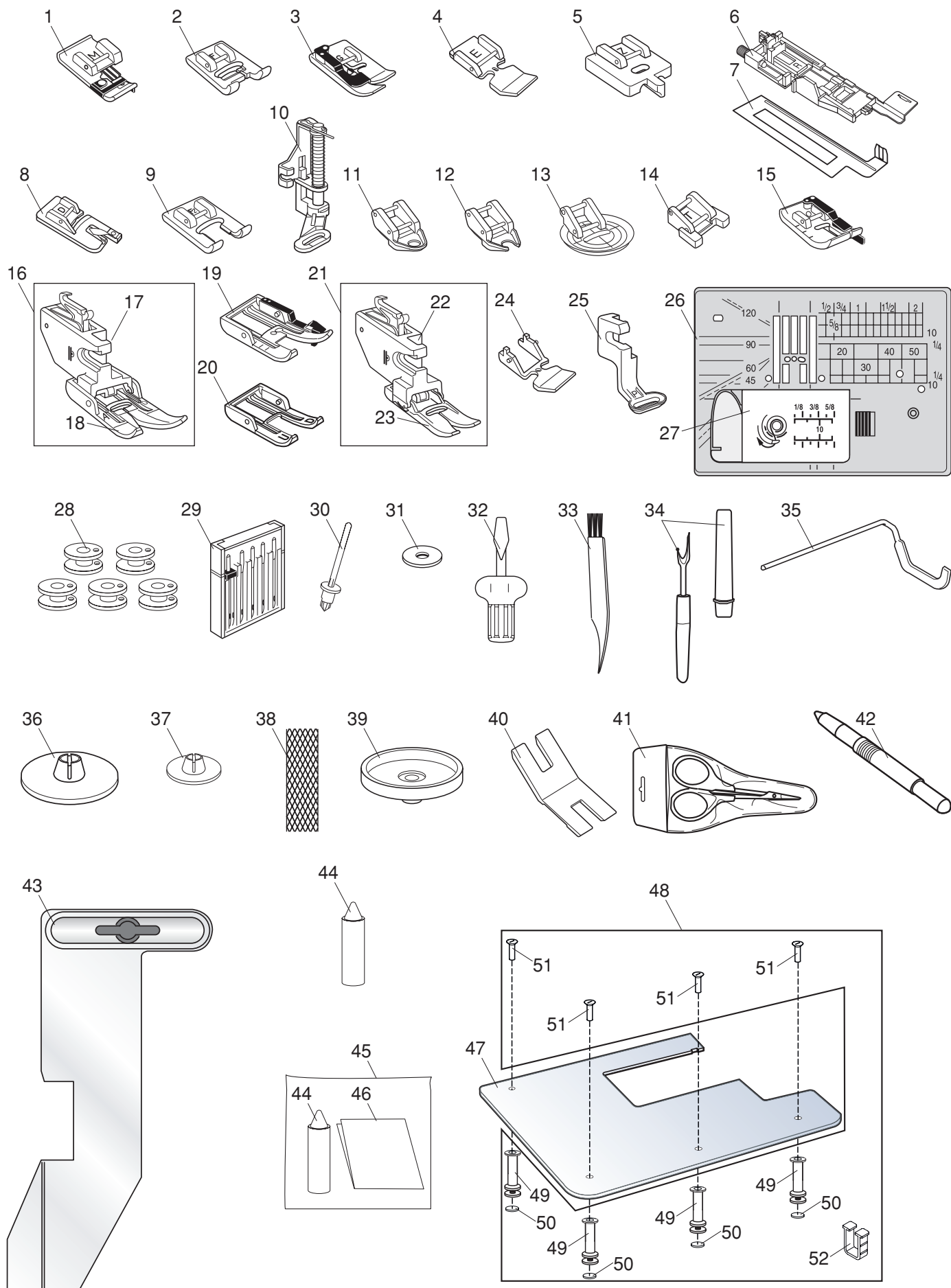
PARTS LIST

KEY NO.	PARTS NO.	DESCRIPTION
1	859623001	Presser foot lifter motor (unit)
2	000101404	Setscrew 4x6
3	859608103	Zigzag width motor (unit)
4	000081005	Setscrew 4x8
5	859641005	Automatic thread cutter (unit)
6	858088108	Knee lifter shaft
7	859021014	Knee lifter stopper
8	000138503	Hexagonal socket screw 5x12
9	000002208	Snap ring E-9
10	859022004	Knee lifter stopper spring
11	846297002	Stopper
12	859609001	Knee lifter sensor (unit)
13	859606008	Sensor set plate (unit)
14	000013707	Snap ring CS-2.4
15	859011000	Spring
16	859604028	Bobbin thread sensor motor (unit)
17	859605007	Arm (unit)
18	000002105	Snap ring E-3
19	859261007	Spring
20	859664004	Feed motor (unit)
21	859215006	Feed balancing dial
22	000110200	Hexagonal socket screw WP 4x4
23	859607009	Drop feed motor (unit)
24	859012001	Feed dog driving plate
25	859260006	Pin
26	858169001	Pin
27	000001207	Snap ring E-2.5
28	860608004	Idler (unit)
29	860021007	Idler base
30	625217100	Idler
31	000002806	Snap ring E-6

PARTS LIST

KEY NO.	PARTS NO.	DESCRIPTION
1	862603005	Upper shaft (unit)
2	000078319	Setscrew 3x6
3	000110901	Hexagonal socket screw 5x4
4	859214005	Upper feed lifting cam
5	670079201	Upper shaft front bushing
6	000040105	Washer \varnothing 12x0.5
7	767077006	Ring
8	000111304	Hexagonal socket screw 5x5
9	731312005	Felt
10	000111706	Hexagonal socket screw 5x8
11	862002008	Upper shaft shield plate
12	859033008	Washer
13	000080406	Setscrew 3x10
14	000032702	Snap ring crescent
15	767178008	Ball bearing
16	846615103	Needle bar crank (unit)
17	843543007	Needle bar crank pin (unit)
18	652143005	Needle bar crank pin
19	647139002	Needle bar crank pin knob
20	650039001	Needle bar crank rod
21	650040005	Felt
22	650041006	Spring
23	820511108	Thread take-up lever (unit)
24	650626001	Thread take-up lever pin (unit)
25	000002806	Snap ring E-6
26	000111201	Hexagonal socket screw 4x4
27	862604006	Belt wheel (unit)
28	862003009	Belt wheel holder
29	858054002	Belt wheel
30	846098001	Timing belt
31	858052000	Upper shaft gear
32	000004303	Pin 3x20
33	000030009	Snap ring E-10
34	000024206	Pin 3x30
35	858118005	Timing belt
36	862122005	Handwheel
37	859646103	Upper shaft sensor (unit)
38	859056007	Sensor set plate
39	843505029	Printed circuit board P (unit)
40	000101105	Setscrew 3x4
41	000081005	Setscrew 4x8
42	000188807	Nylon clip
43	862606008	Printed circuit board U1 (unit)
44	862503004	Printed circuit board U1
45	859032029	U1 base plate
46	000120203	Setscrew 3x8

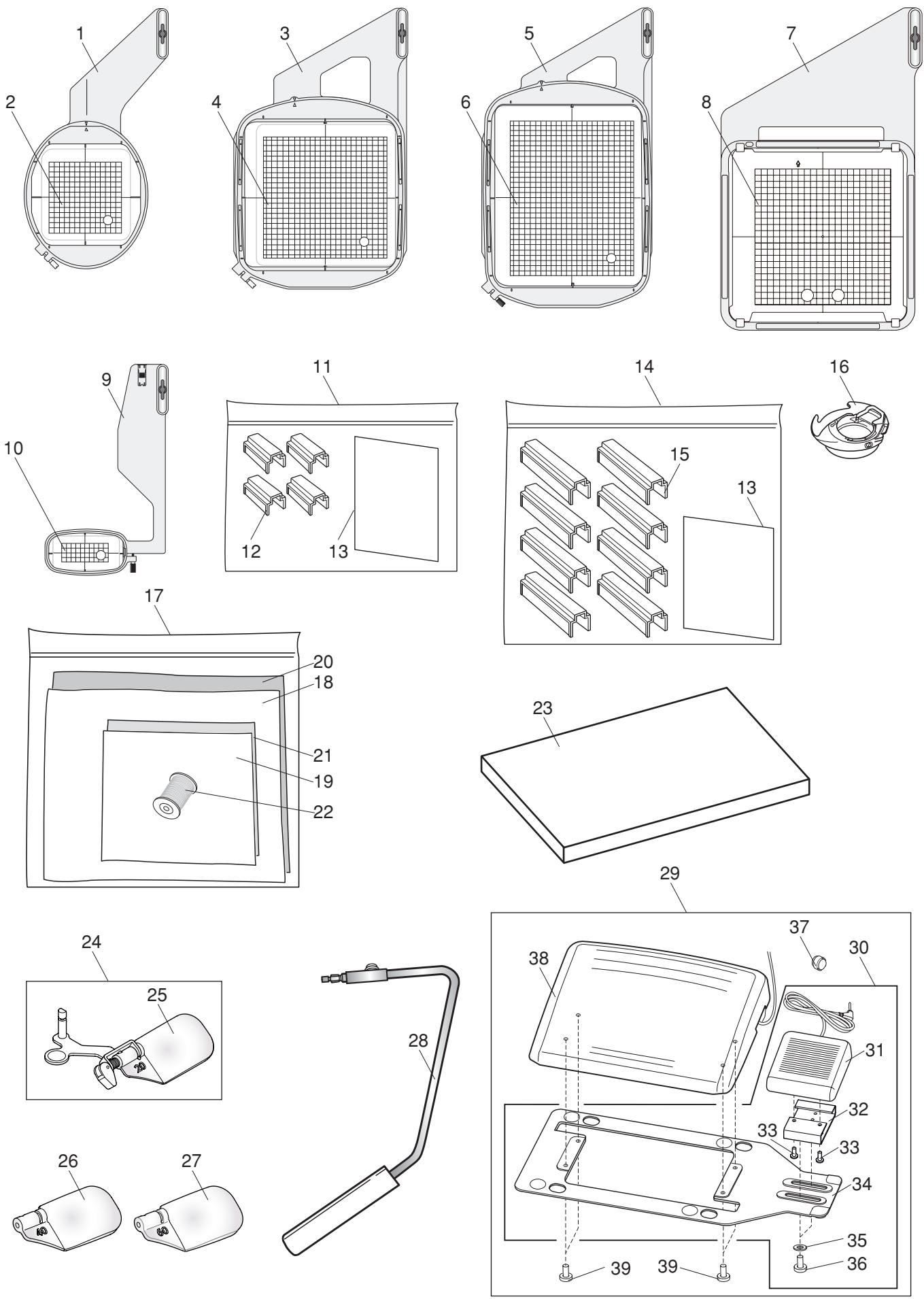
PARTS LIST



PARTS LIST

KEY NO.	PARTS NO.	DESCRIPTION
1	859810007	Overedge foot M
2	859806011	Satin stitch foot F
3	859807001	Blind hemming foot G
4	859805009	Zipper foot E
5	859815002	Concealed zipper foot Z
6	862822002	Automatic buttonhole foot R
7	859832016	Stabilizer plate
8	859804008	Rolled hem foot D
9	859813000	Open toe satin stitch foot F2
10	859839002	Darning foot PD-H
11	859836009	Free motion quilting closed-toe foot QC
12	859837000	Free motion quilting open-toe foot QO
13	859812009	Free motion quilting zigzag foot QV
14	859811008	Button sewing foot T
15	859814001	1/4" seam foot O
16	859819017	Dual feed (twin) (unit)
17	859817015	Dual feed holder (twin)
18	859819109	Dual feed foot AD (twin)
19	859829009	Dual feed quilt piecing foot OD (twin)
20	202150019	AcuFeed open toe foot UD (twin)
21	859835019	Dual feed (single) (unit)
22	859833017	Dual feed holder (single)
23	859835101	Dual feed foot VD (single)
24	859838001	Dual feed zipper foot ED (single)
25	859816014	Embroidery foot P
26	862817004	Straight stitch needle plate
27	809136100	Hook cover plate
28	102261103	Bobbin
29	859856005	Needle set
30	625031706	Additional spool pin
31	102403109	Felt
32	820832005	Screwdriver (large)
33	802424004	Lint brush
34	560406104	Seam ripper (buttonhole opener)
35	755802001	Quilting guide bar
36	822020503	Spool holder (large)
37	822019509	Spool holder (small)
38	624806006	Net
39	829803004	Spool stand
40	832820007	Button shank plate
41	803813203	Scissors
42	860194002	Touch panel stylus
43	859825016	Cloth guide
44	859858007	Bobbin holder cleaner
45	859858203	Bobbin holder cleaner (unit) (Canada)
46	859858306	Instructional card (Canada)
47	859826110	Extra wide table
48	859867009	Extra wide table accessory
49	489601004	Extra wide table leg (unit)
50	491002006	Rubber sole
51	000165509	Setscrew 5x18
52	859827007	Table support

PARTS LIST



PARTS LIST

