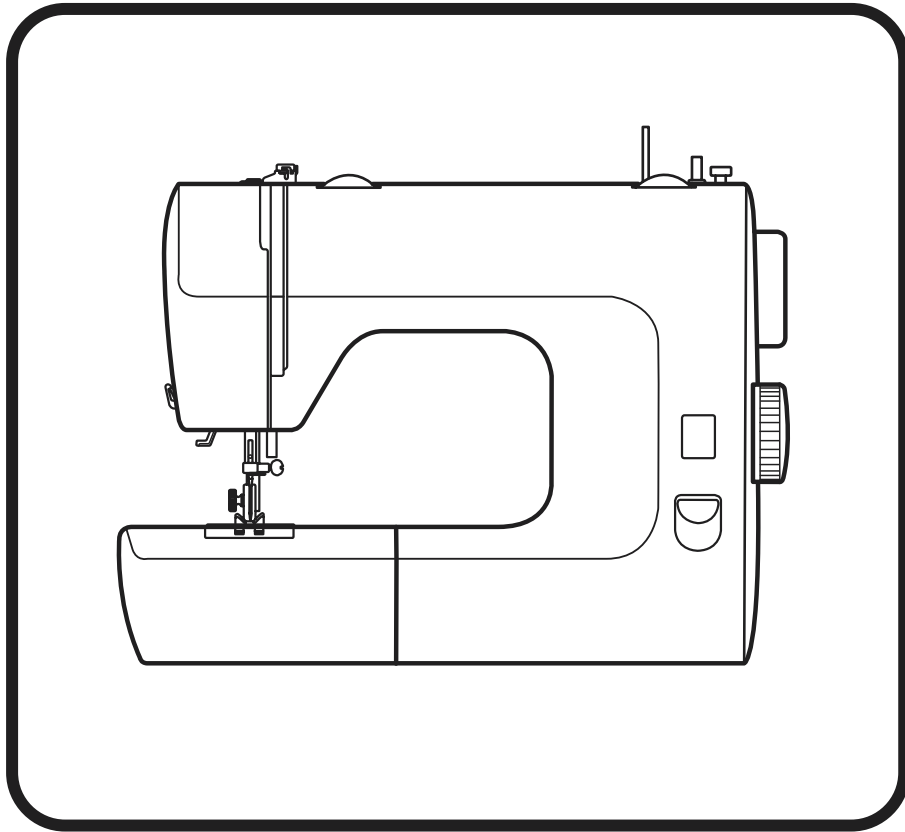


Sewing Machines Parts Catalogue



NECCHI

RS2000-2D QUILT SERIES

How To Use This Parts Catalogue

- 1. This parts catalogue was printed in February 2007.**
- 2. The parts with no reference number do not exist.**
- 3. The parts need to be order by part number(s), not index number(s).**

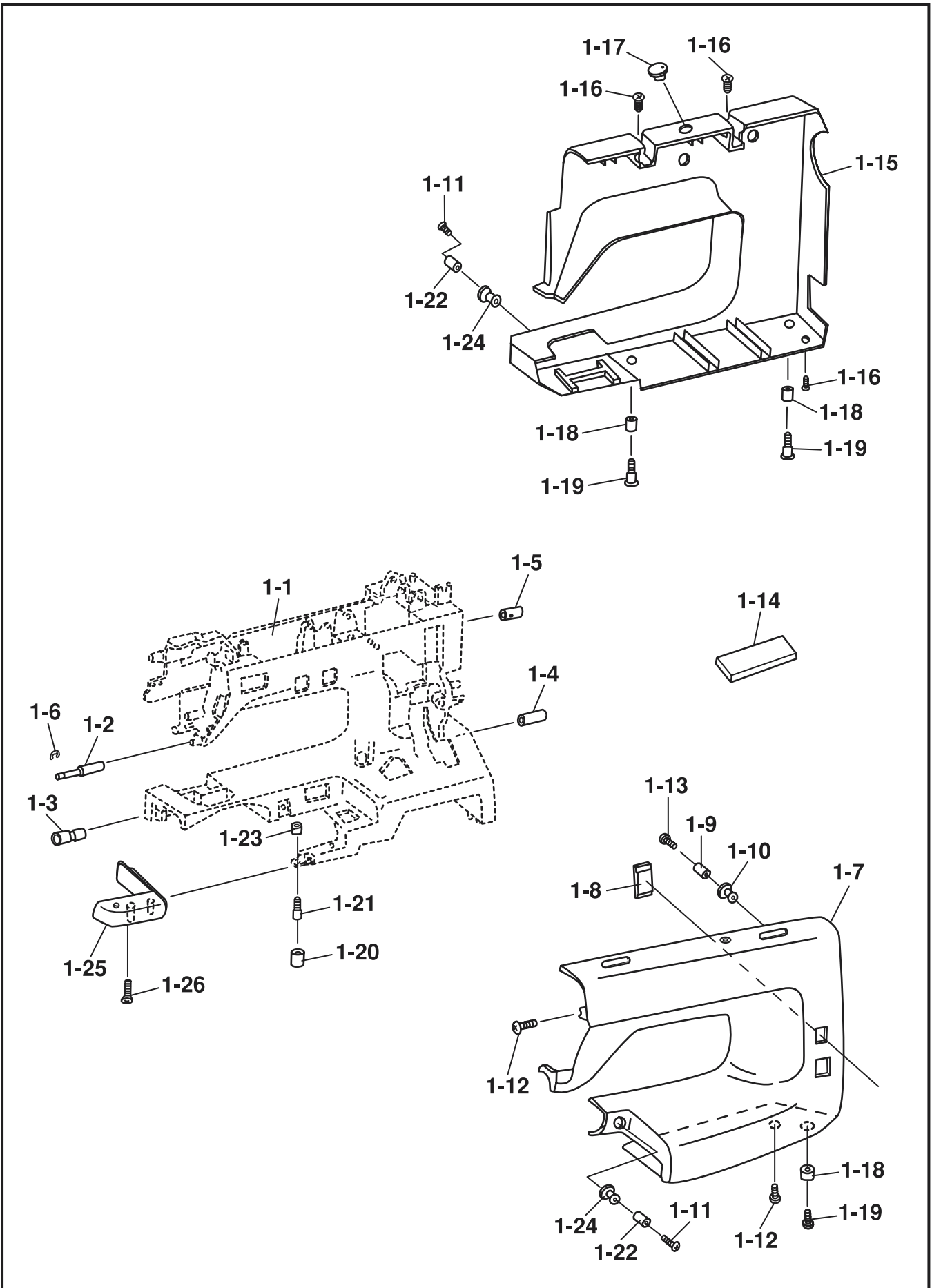
Be sure to include the description in your order.

- 4. The part numbers are subject to change without notice. However, any modifications will be notified accordingly. In such a case, please place an order with revised part number and description.**

CONTENTS

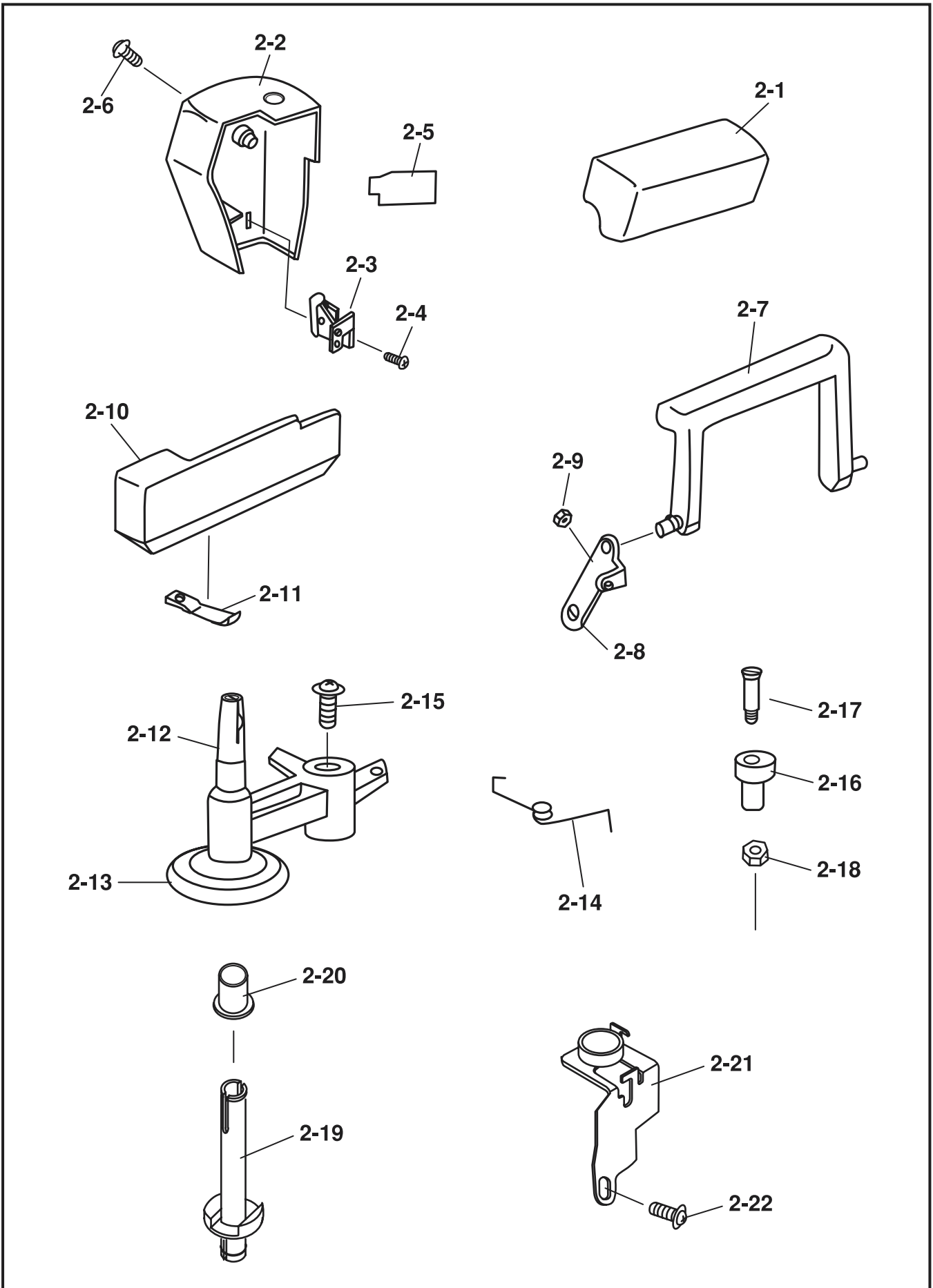
1. Machine Body Components ①	1
2. Machine Body Components ②	3
3. Upper thread	5
4. Needle bar	7
5. Presser bar	9
6. Upper shaft	11
7. Lower shaft & Shuttle hook	13
8. Feed regulator ①	15
9. Feed lifting arm	17
10. Feed plate	19
11. Feed regulator ②	21
12. Pattern cam mounting plate ①	23
13. Pattern cam mounting plate ②	25
14. Pattern cam mounting plate ③	27
15. Motor & Foot control	29
16. Accessories	31

1. Machine body components ①



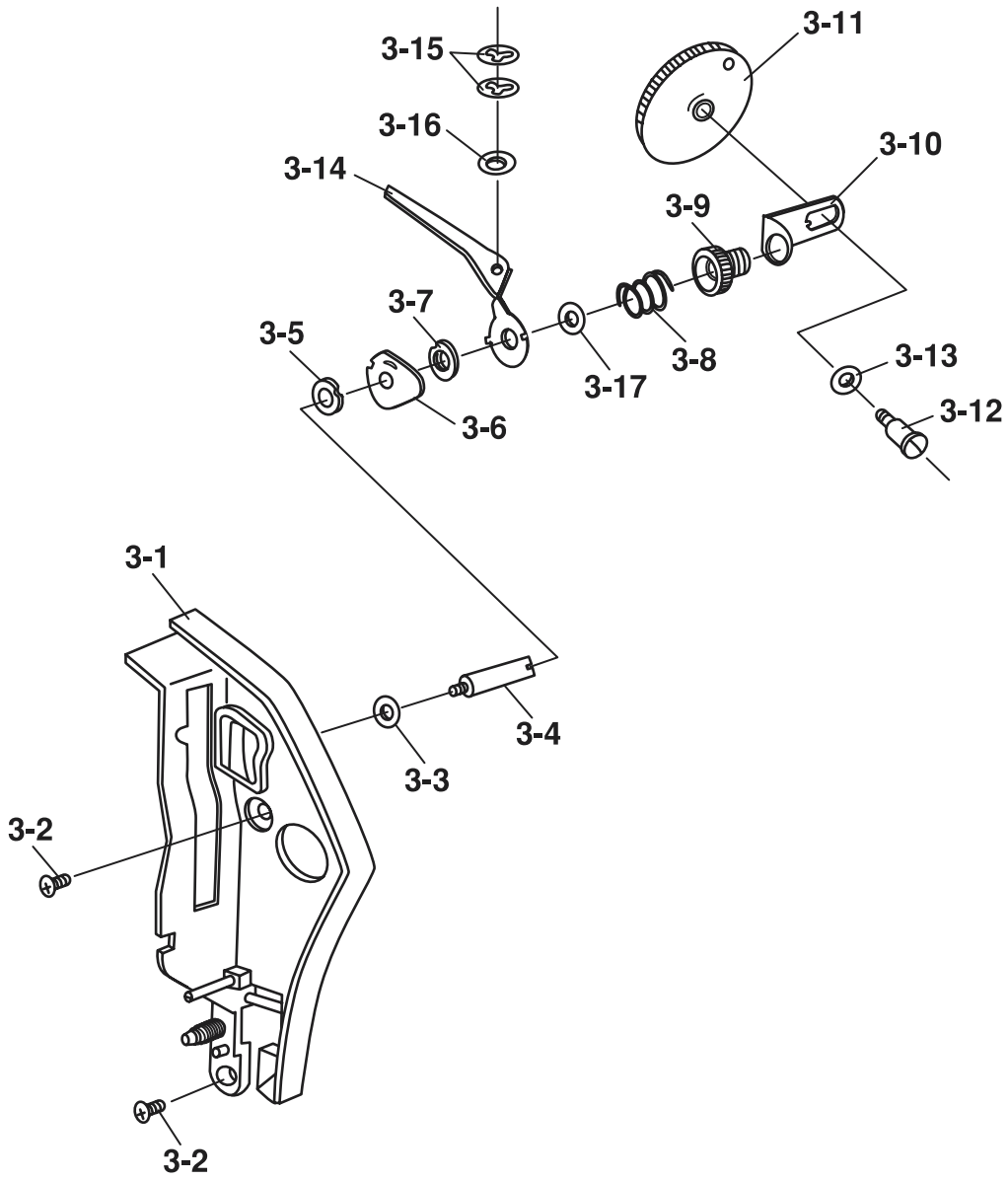
INDEX NO.	REF.NO.	PART NAME	QTY	MODEL NO.		
				7010		
1-1	1921001-111	Arm	1	O		
1-2	1921002-347	Needle bar support guide pin-B	1	O		
1-3	1921003-543	Lower shaft bushing -F-	1	O		
1-4	150003-542	Lower shaft bushing -R-	1	O		
1-5	1921003-114	Upper shaft bushing -R-	1	O		
1-6	40109	E-ring	1	O		
1-7	671219-CEA30-MY6	Front cover	1	O		
1-8	1920011-146	Pattern window	1	O		
1-9	60198	Spacer -A-	1	O		
1-10	1921001-141	Prevent vibration rubber -A-	1	O		
1-11	11926	Set screw	2	O		
1-12	679918-43020	Set screw	2	O		
1-13	11932	Set screw	1	O		
1-14	1921001-143	Prevent vibration rubber	1	O		
1-15	1940021-175-651	Rear cover	1	O		
1-16	679918-43020	Set screw	3	O		
1-17	1921001-158-651	Hole cover for SS	1	O		
1-18	671132-DBA10	Rubber foot -R-	3	O		
1-19	679928-41060	Set screw	3	O		
1-20	671132-AEC10	Rubber foot	1	O		
1-21	679917-43010	Set screw	1	O		
1-22	60199	Spacer -B-	2	O		
1-23	679934-40010	Nut	1	O		
1-24	1921001-142	Prevent vibration rubber -B-	2	O		
1-25	1921001-196-651	Assistant foot cover	1	O		
1-26	679921-43020	Set screw	1	O		

2. Machine body components ②



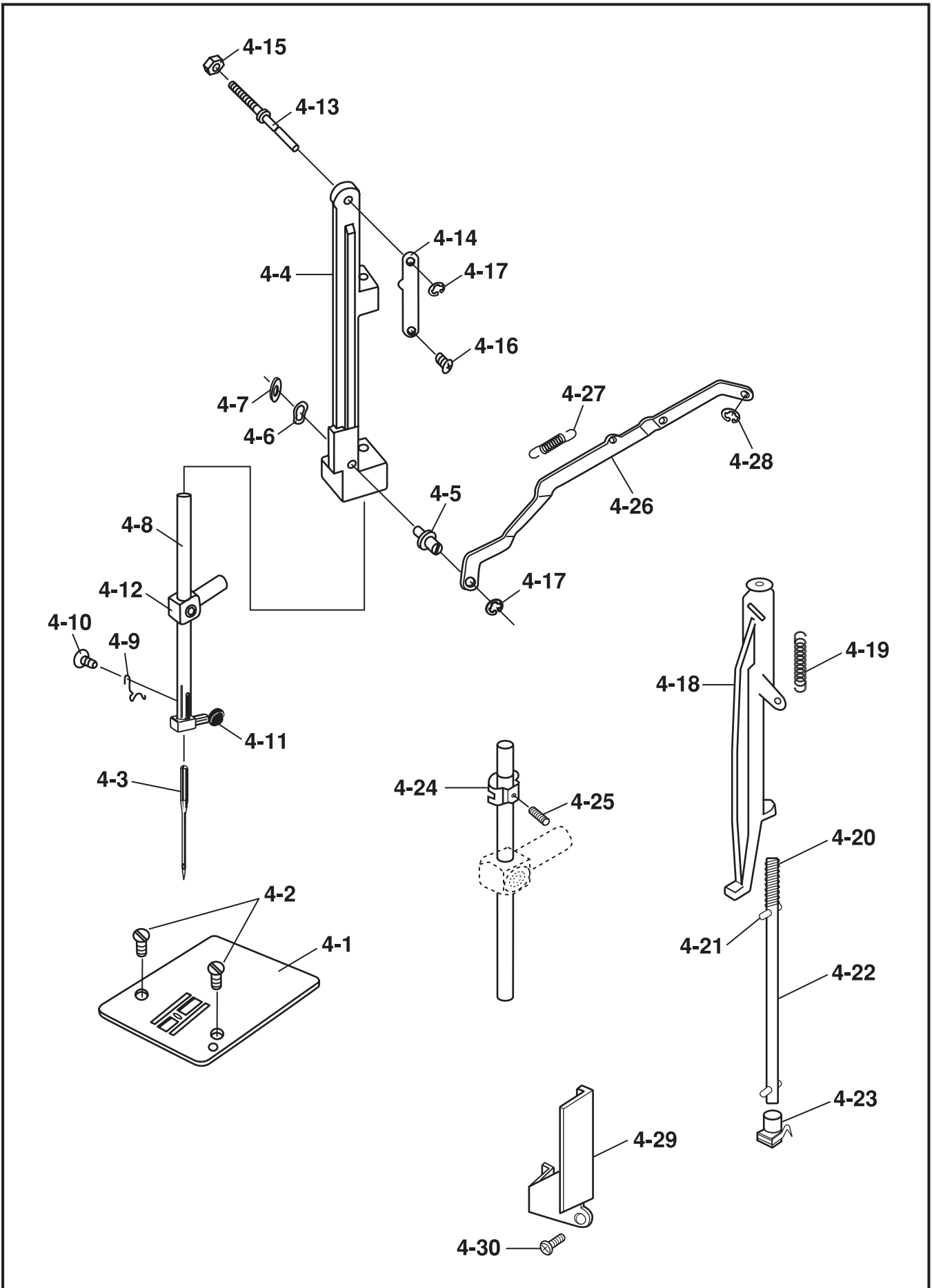
INDEX NO.	REF.NO.	PART NAME	QTY	MODEL NO.		
				7010		
2-1	1921001-165-651	Assistant plate	1	0		
2-2	671319-CEA30-MY6	Face cover	1	0		
2-3	1921002-660	Thread cutter ass'y	1	0		
2-4	679921-32020	Set screw	1	0		
2-5	1550001-329	Face cover seat	1	0		
2-6	679918-43020	Set screw	1	0		
2-7	1921001-371-651	Handle	1	0		
2-8	1921001-372	Handle bracket	1	0		
2-9	679931-41010	Nut	1	0		
2-10	1921001-163-651	Bed cover	1	0		
2-11	550001-382	Bed cover sprint	1	0		
2-12	1921002-620	Bobbin winder frame ass'y	1	0		
2-13	1350002-632	Rubber ring	1	0		
2-14	1840002-644	Bobbin winder frame spring	1	0		
2-15	679918-42030	Set screw	1	0		
2-16	150002-626-651	Bobbin winder stopper	1	0		
2-17	11939	Set screw	1	0		
2-18	30121	Nut	1	0		
2-19	1921002-181-651	Spool pin	1	0		
2-20	672172-DBA10	Spool pin holder	1	0		
2-21	1923002-680	Thread guide	1	0		
2-22	10978	Set screw	1	0		

3. Upper thread

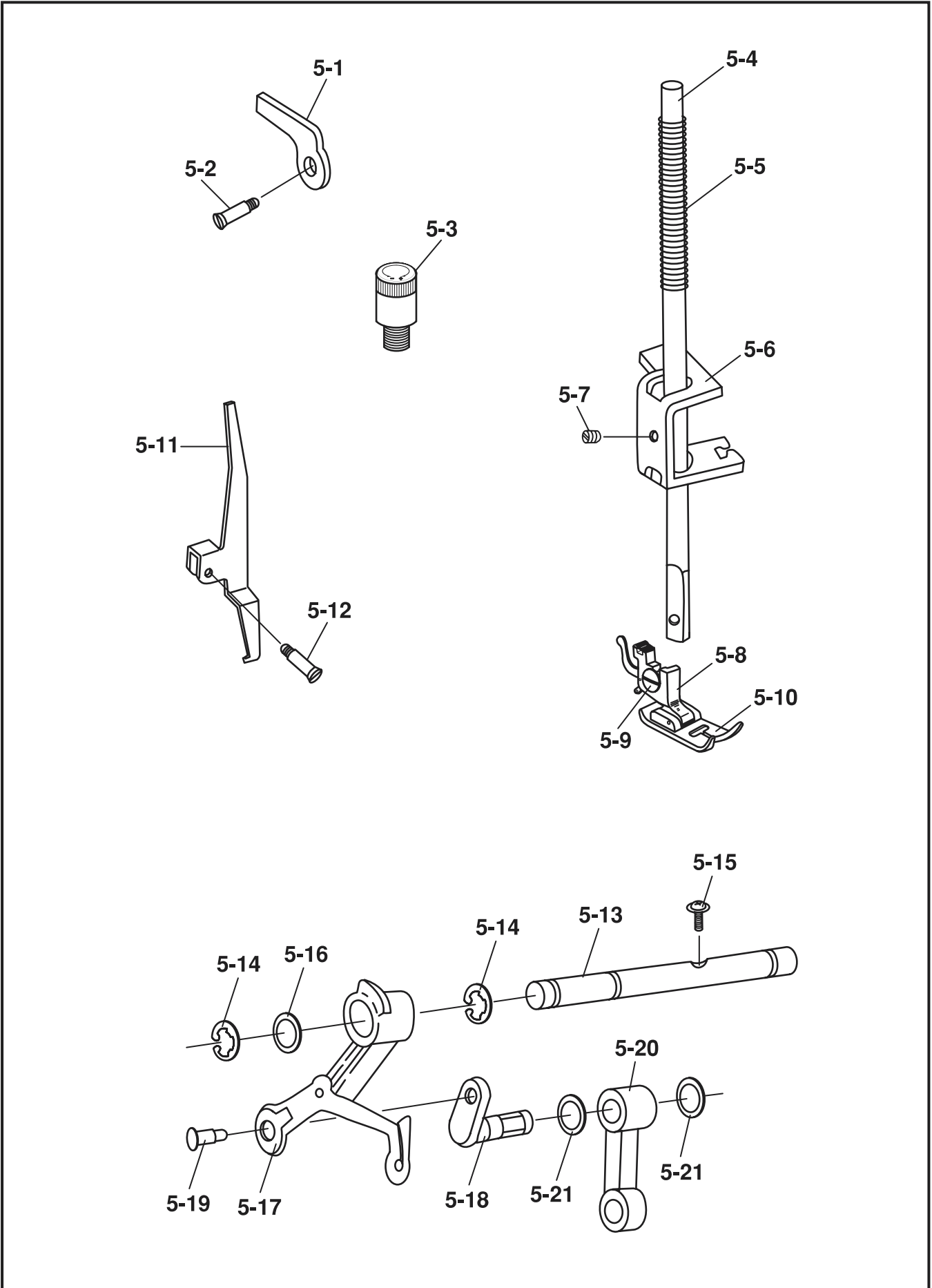


INDEX NO.	REF.NO.	PART NAME	QTY	MODEL NO.		
				7010		
3-1	1920042-160	Thread guide plate ass'y	1	0		
3-2	679918-43020	Set screw	2	0		
3-3	679941-52030	Washer	1	0		
3-4	1921002-124	Thread guide plate stud	1	0		
3-5	550002-132	Tension disc -L-	1	0		
3-6	1920002-133	Intermediate disc	1	0		
3-7	550002-131	Tension disc -R-	1	0		
3-8	672114-CGA10	Tension spring	1	0		
3-9	550002-126	Tension adjusting screw	1	0		
3-10	1921002-155	Connecting plate	1	0		
3-11	1921002-153-651	Tension dial	1	0		
3-12	11048	Set screw	1	0		
3-13	60410	Wave washer	1	0		
3-14	1921002-396	Tension release plate	1	0		
3-15	679964-42010	CS-ring	2	0		
3-16	679941-53020	Flat washer	1	0		
3-17	679941-62010	Washer	1	0		

4. Needle bar

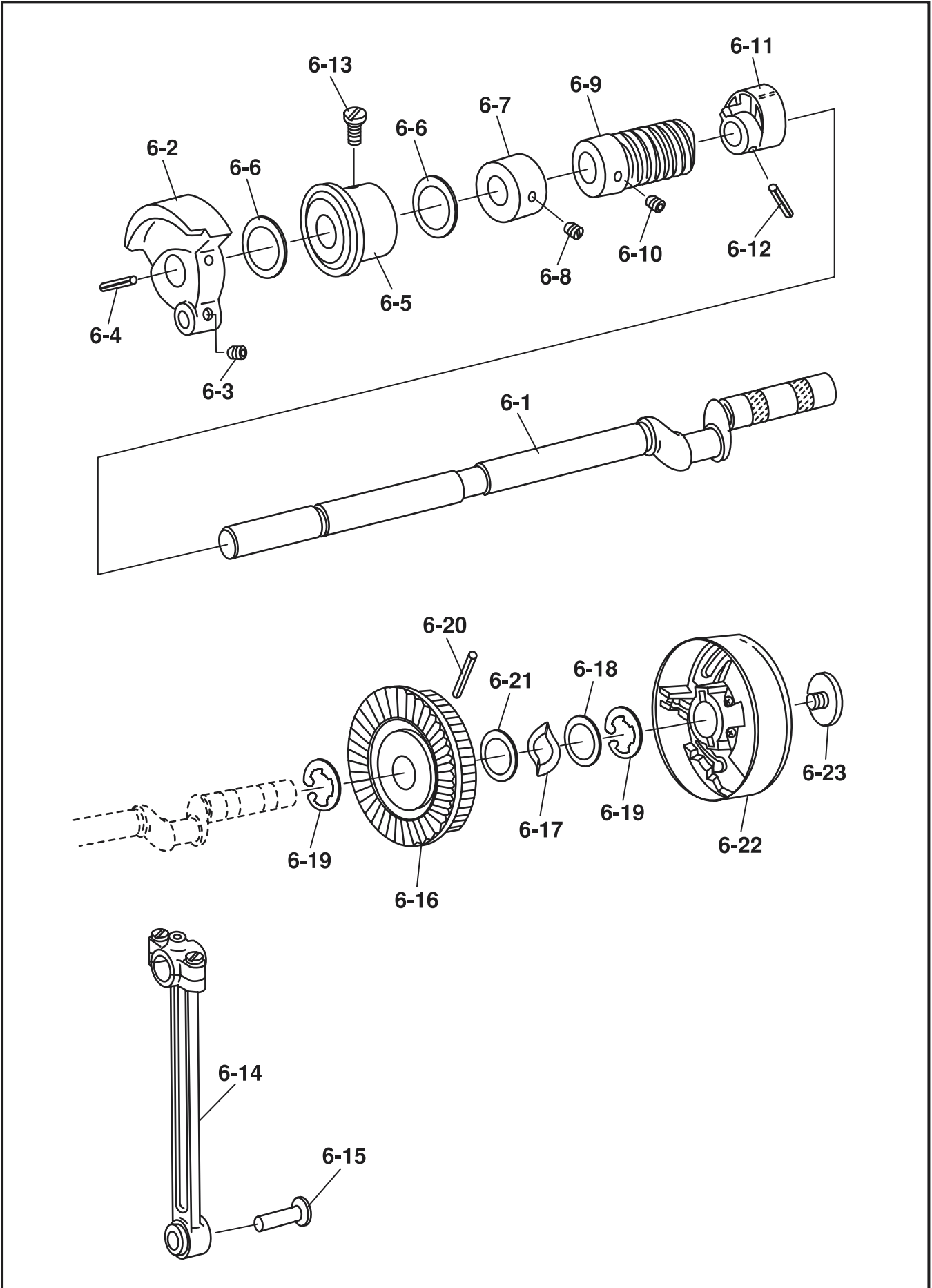


5. Presser bar



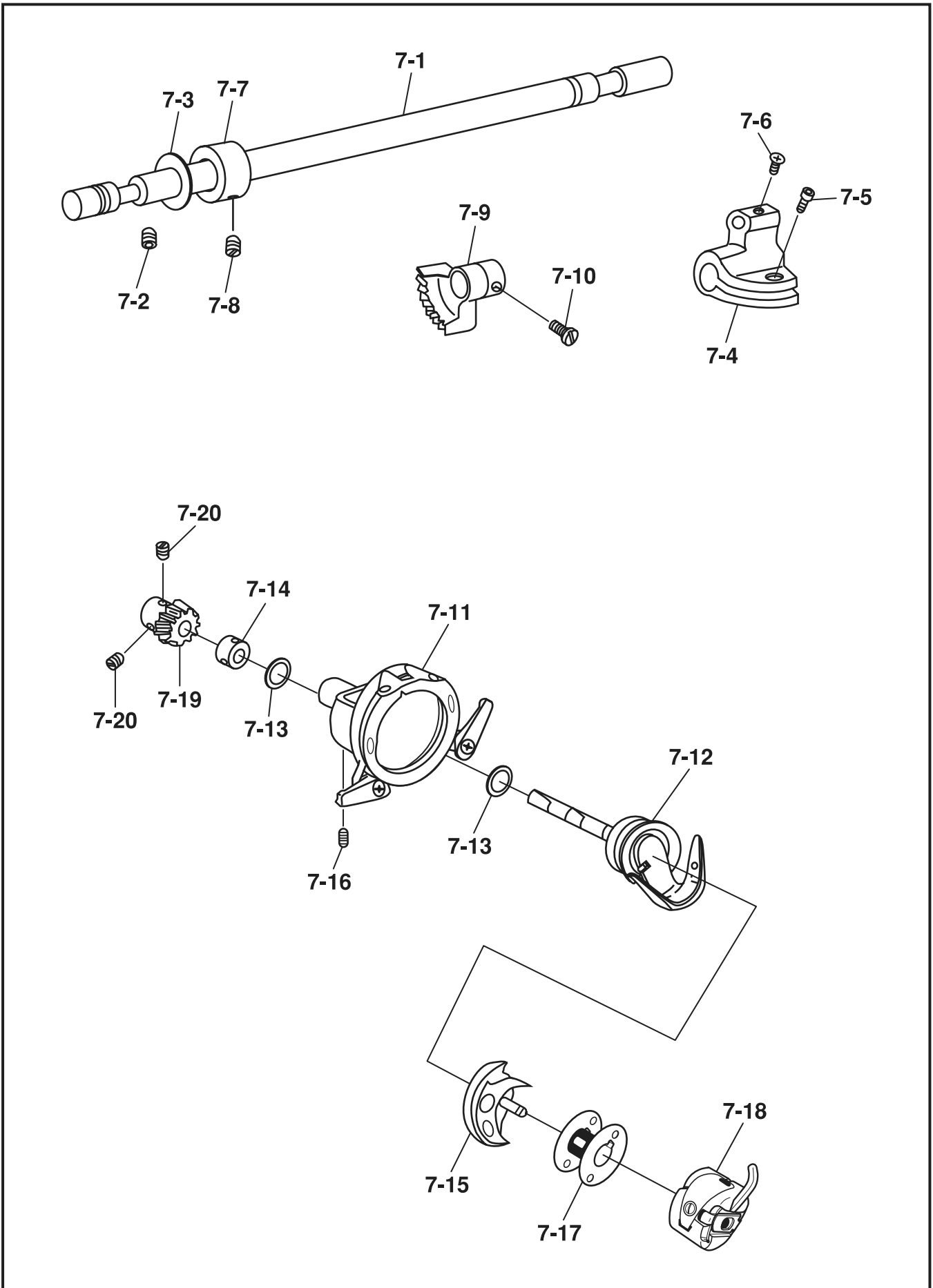
INDEX NO.	REF.NO.	PART NAME	QTY	MODEL NO.		
				7010		
5-1	550002-366	Presser bar lifter	1	O		
5-2	11010	Set screw	1	O		
5-3	1953012-307	Pressure regulator	1	O		
5-4	1750002-361	Presser bar	1	O		
5-5	950002-362	Presser bar spring	1	O		
5-6	1921002-376	Presser bar bracket	1	O		
5-7	679912-41010	Set screw	1	O		
5-8	150042-351	Presser foot holder	1	O		
5-9	679915-42010	Set screw	1	O		
5-10	150022-352	Zigzag sewing foot	1	O		
5-11	550002-391	Tension release lever	1	O		
5-12	11048	Set screw	1	O		
5-13	1921002-414	Take-up lever spindle	1	O		
5-14	679961-63010	E-ring	2	O		
5-15	10990	Set screw	1	O		
5-16	679945-93020	Plastic washer	1	O		
5-17	1921002-410	Take-up lever	1	O		
5-18	1921002-422	Needle bar crank	1	O		
5-19	1921002-423	Needle bar crank pin	1	O		
5-20	1921002-321	Needle bar crank rod	1	O		
5-21	679945-93020	Plastic washer	2	O		

6. Upper shaft



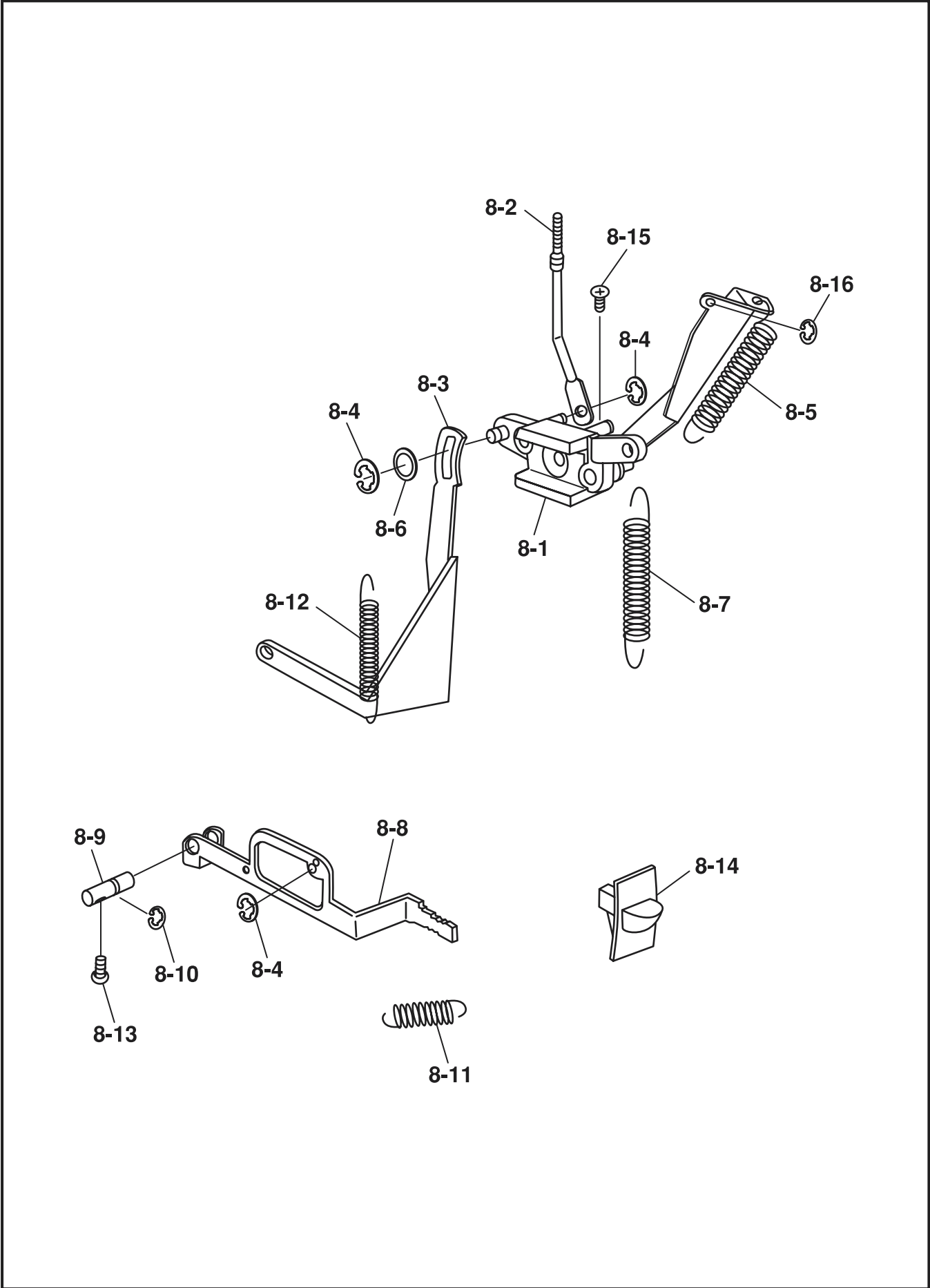
INDEX NO.	REF.NO.	PART NAME	QTY	MODEL NO.		
				7010		
6-1	1750003-111	Upper shaft	1	O		
6-2	150003-131	Crank weight	1	O		
6-3	679912-61010	Set screw	1	O		
6-4	50410	Spring pin	1	O		
6-5	150003-112	Upper shaft bushing -F-	1	O		
6-6	60125	Plastic washer	2	O		
6-7	150003-115	Upper shaft collar	1	O		
6-8	10104	Set screw	2	O		
6-9	1950005-143	Worm gear	1	O		
6-10	679912-51010	Set screw	1	O		
6-11	1921004-151	Feed cam	1	O		
6-12	679953-35010	Spring pin	1	O		
6-13	679913-43010	Set screw	1	O		
6-14	550003-330	Crank rod	1	O		
6-15	150004-515	Hinge pin	1	O		
6-16	1921003-154	Pulley	1	O		
6-17	60418	Washer	1	O		
6-18	60189	Washer	1	O		
6-19	40108	E-ring	2	O		
6-20	50425	Spring pin	1	O		
6-21	60125	Plastic washer	1	O		
6-22	1750003-105-651	Handwheel ass'y	1	O		
6-23	679917-61010	Handwheel screw	1	O		

7. Lower shaft & Shuttle hook

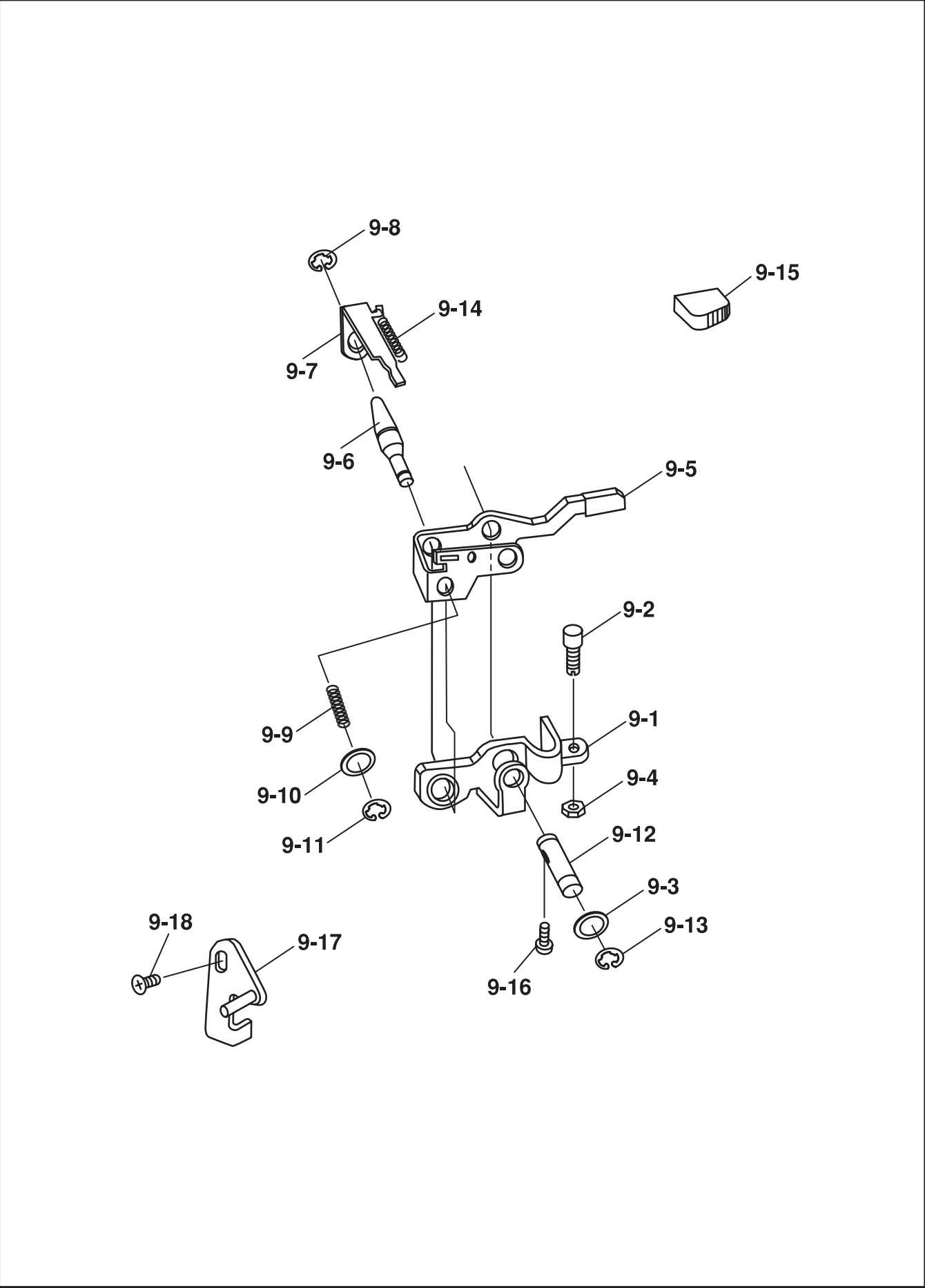


INDEX NO.	REF.NO.	PART NAME	QTY	MODEL NO.		
				7010		
7-1	550003-541	Lower shaft	1	0		
7-2	679912-41030	Set screw	1	0		
7-3	60155	Washer	1	0		
7-4	1921003-546	Lower shaft crank	1	0		
7-5	20204	Set screw	1	0		
7-6	10914	Set screw	1	0		
7-7	1921003-581	Lower shaft collar	1	0		
7-8	679912-41020	Set screw	1	0		
7-9	1150003-507	Lower shaft gear	1	0		
7-10	679928-41030	Screw pan	1	0		
7-11	1921013-051	Shuttle race ass'y	1	0		
7-12	1921013-052	Shuttle driver ass'y	1	0		
7-13	679945-94020	Plastic washer	2	0		
7-14	150003-510	Shuttle drive shaft collar	1	0		
7-15	110003-532	Shuttle hook	1	0		
7-16	679912-51020	Set screw	1	0		
7-17	1921003-520	Bobbin	1	0		
7-18	710003-560	Bobbin case	1	0		
7-19	1921003-545	Shuttle drive gear	1	0		
7-20	679912-41010	Set screw	2	0		

8. Feed regulator ①

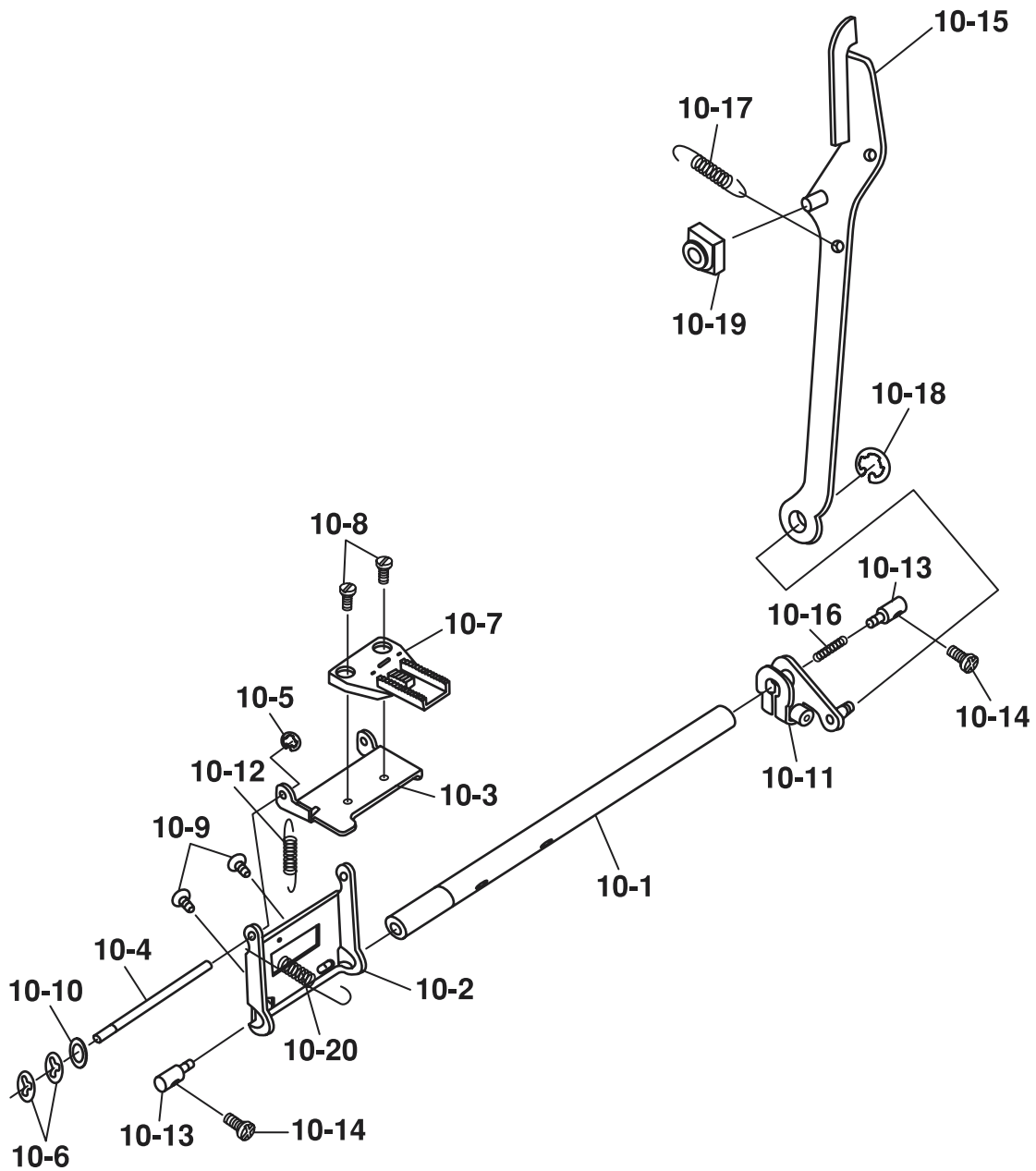


9. Feed lifting arm



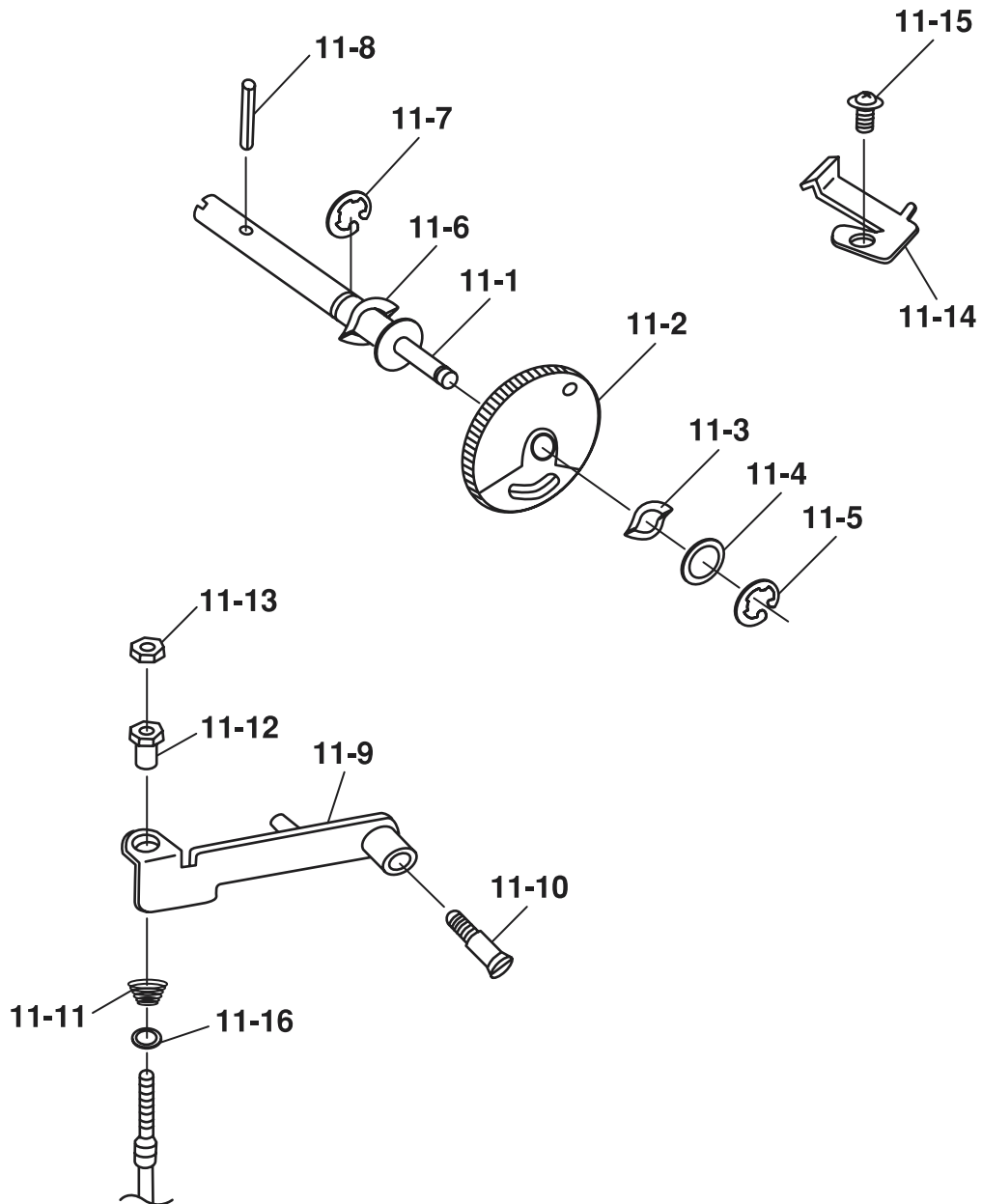
INDEX NO.	REF.NO.	PART NAME	QTY	MODEL NO.		
				7010		
9-1	1940004-730	Feed lifting arm	1	0		
9-2	674716-CCA10	Feed lifting adjusting screw	1	0		
9-3	679941-84010	Washer	1	0		
9-4	679931-40010	Nut	1	0		
9-5	1940004-721	Feed lifting arm	1	0		
9-6	674722-CEA10	Pin for feed lifting	1	0		
9-7	1940004-762	Feed lifting rod	1	0		
9-8	679961-63010	E-ring	1	0		
9-9	1940004-754	Lifting arm spring	1	0		
9-10	679941-52070	Washer	1	0		
9-11	679961-32010	E-ring	1	0		
9-12	1940004-711	Feed lifting arm shaft	1	0		
9-13	679961-74010	E-ring	1	0		
9-14	1940004-764	SP for feed lifting rod	1	0		
9-15	1940004-761-651	Drop regulating lever knob	1	0		
9-16	10990	Set screw	1	0		
9-17	1940004-750	Feed lifting rod plate	1	0		
9-18	10955	Set screw	1	0		

10. Feed plate



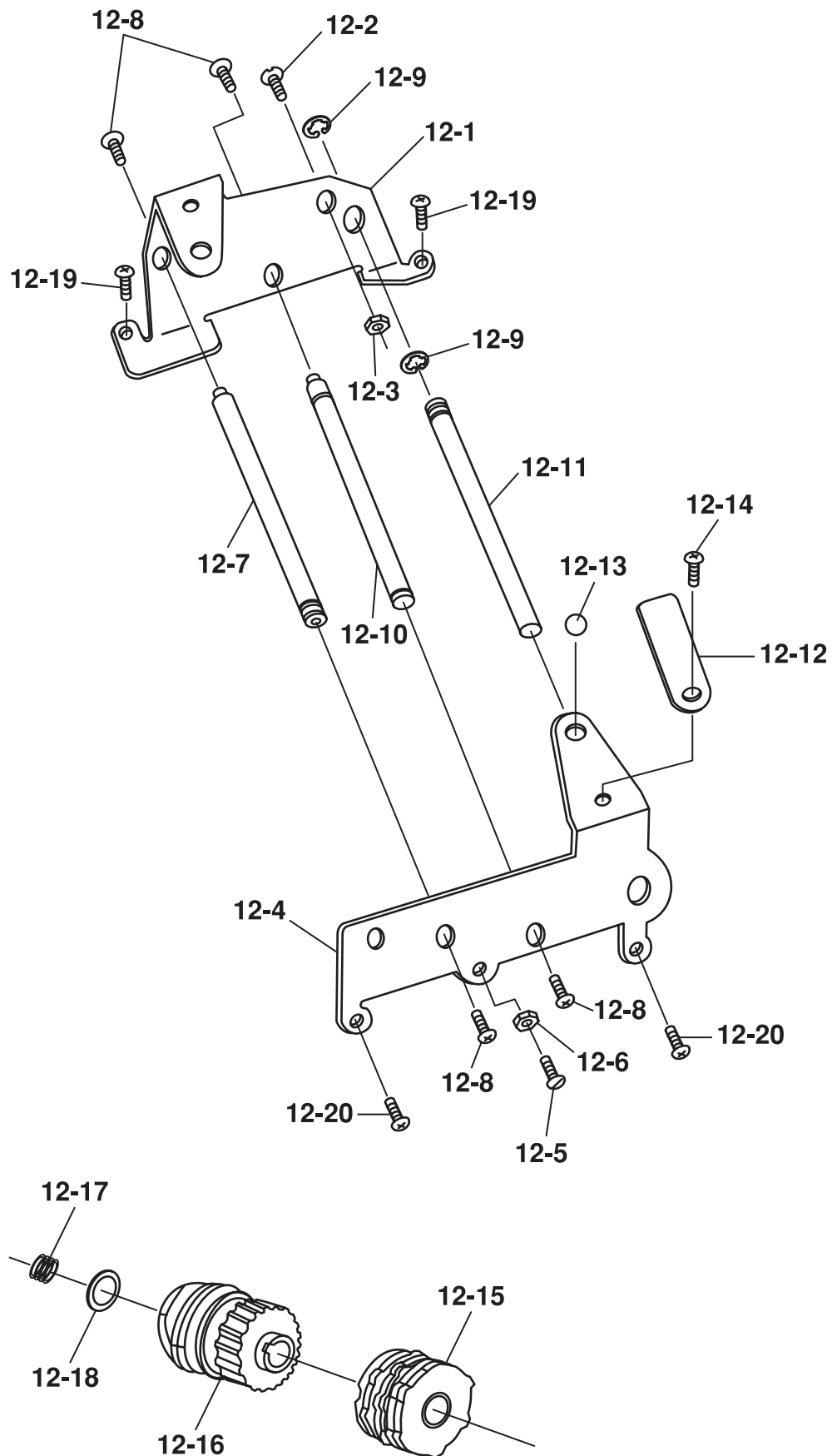
INDEX NO.	REF.NO.	PART NAME	QTY	MODEL NO.		
				7010		
10-1	1921004-511	Feed rock shaft	1	0		
10-2	1921004-519	Feed bar arm	1	0		
10-3	1921004-512	Feed bar	1	0		
10-4	1921004-514	Feed plate shaft	1	0		
10-5	679961-42010	E-ring	1	0		
10-6	679964-42010	CS-ring	2	0		
10-7	1921004-513	Feed dog	1	0		
10-8	679915-41010	Set screw	2	0		
10-9	679913-42010	Set screw	2	0		
10-10	679941-53030	Flat washer	1	0		
10-11	1921004-505	Feed rock shaft crank	1	0		
10-12	1950014-516	Feed plate shaft SP	1	0		
10-13	1350004-526	Center pin	2	0		
10-14	10958	Tapping screw	2	0		
10-15	1921004-140	Feed forked rod	1	0		
10-16	850004-527	Spring for feed rock shaft pin	1	0		
10-17	1921004-142	Feed forked rod spring	1	0		
10-18	679961-42020	E-ring	1	0		
10-19	1150004-122	Sliding block	1	0		
10-20	1950004-638	Feed lever spring	1	0		

11. Feed regulator ②



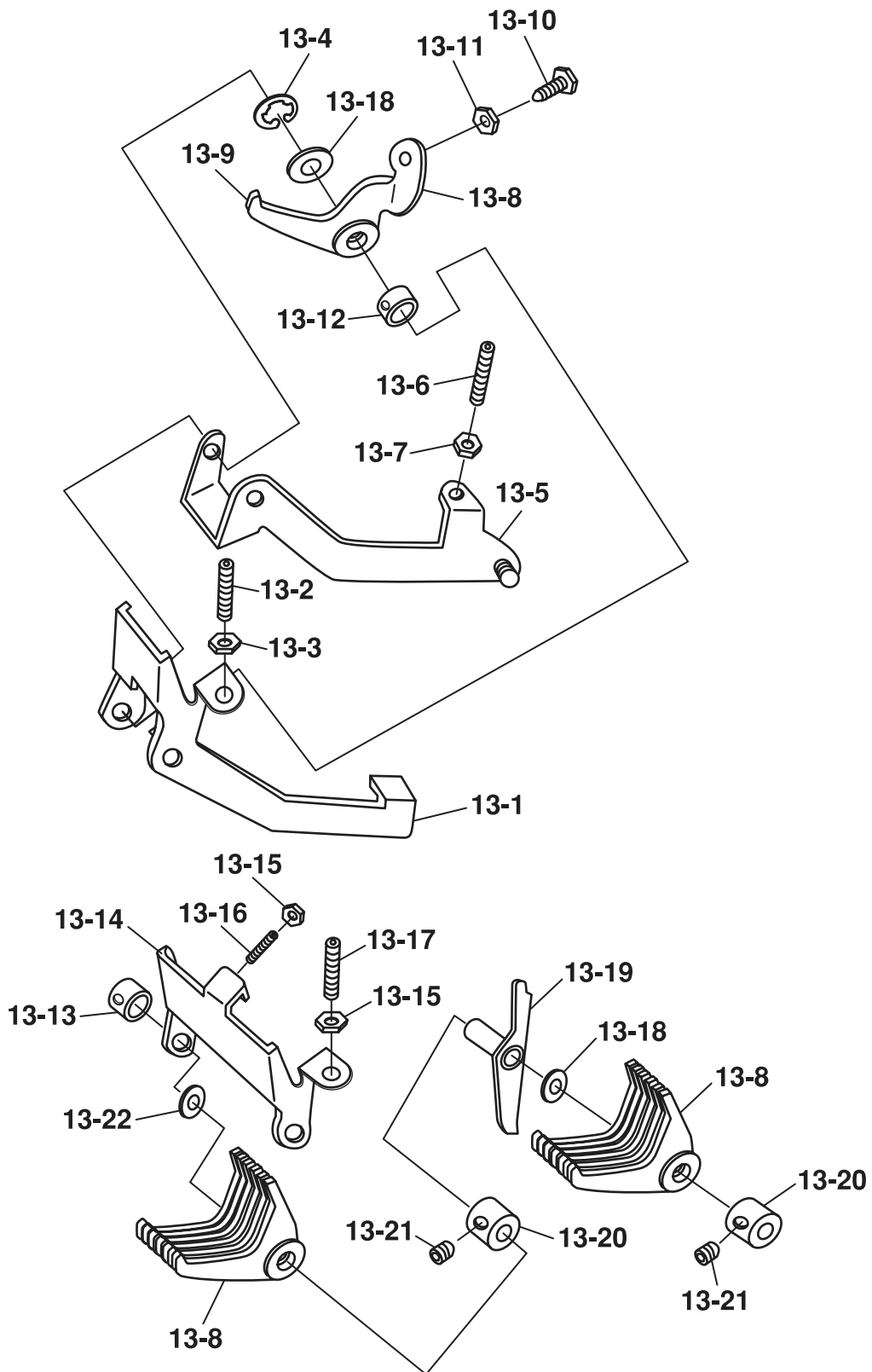
INDEX NO.	REF.NO.	PART NAME	QTY	MODEL NO.		
				7010		
11-1	1940004-336	Feed knob	1	0		
11-2	1940034-316-651	Stitch length dial	1	0		
11-3	60416	Wave washer	1	0		
11-4	679941-52090	Tension washer	1	0		
11-5	679961-42010	E-ring	1	0		
11-6	60406	Wave washer	1	0		
11-7	679961-53010	E-ring	1	0		
11-8	50416	Spring pin	1	0		
11-9	1940004-130	Feed regulator arm	1	0		
11-10	679928-41010	Set screw	1	0		
11-11	1940004-364	Reverse sewing lever spring	1	0		
11-12	30404	Adjusting nut	1	0		
11-13	679934-40010	Nut	1	0		
11-14	1940004-325	SP for feed knob	1	0		
11-15	10978	Set screw	1	0		
11-16	679941-52010	Flat washer	1	0		

12. Pattern cam mounting plate ①



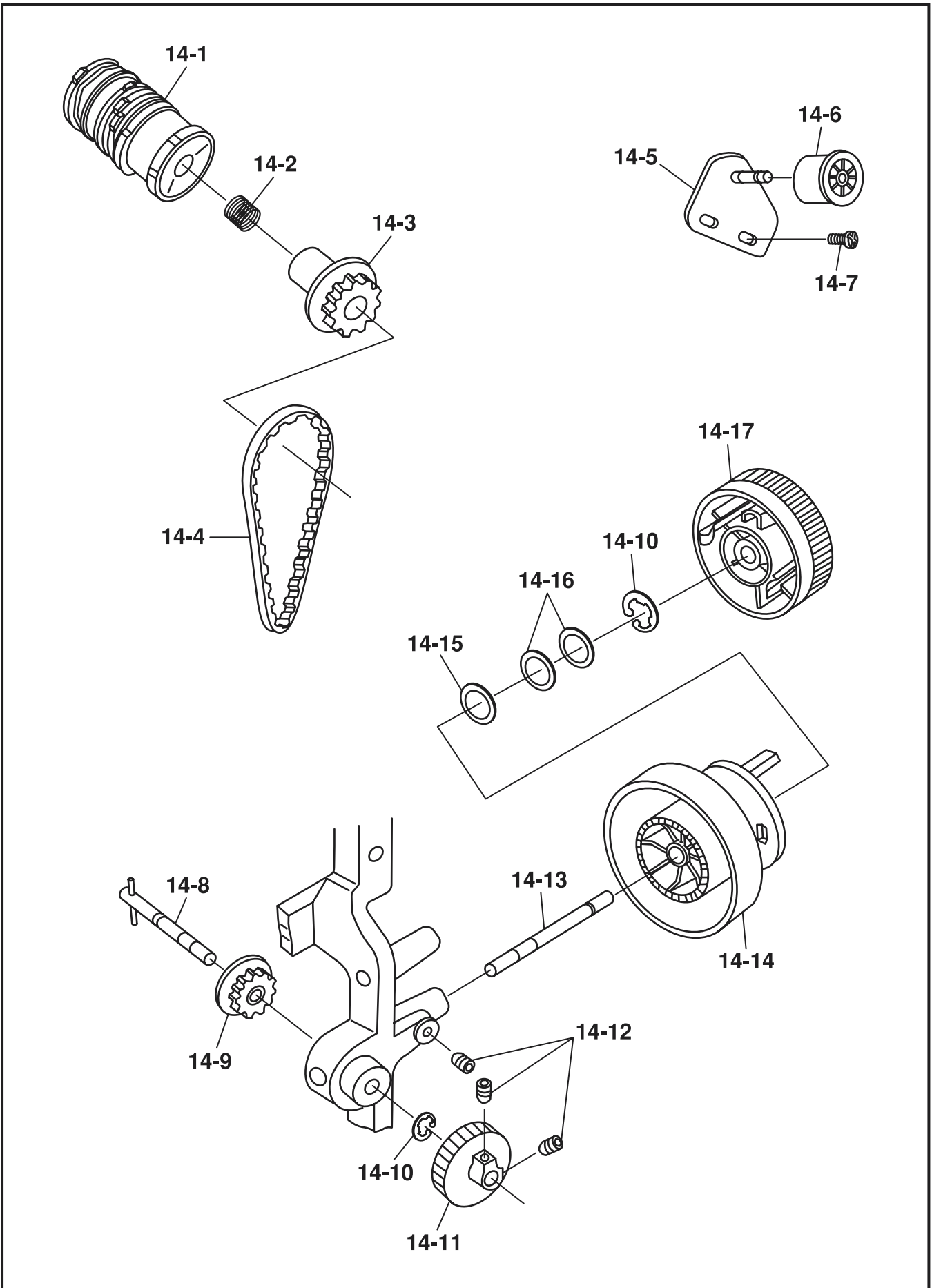
INDEX NO.	REF.NO.	PART NAME	QTY	MODEL NO.		
				7010		
12-1	1950006-112	Pattern cam plate -R-	1	0		
12-2	11914	Adjustable screw	1	0		
12-3	679934-40010	Nut	1	0		
12-4	1950006-111	Pattern cam plate -F-	1	0		
12-5	11925	Adjustable screw	1	0		
12-6	679934-40010	Nut	1	0		
12-7	1950006-136	Pattern cam shaft	1	0		
12-8	11933	Set screw	4	0		
12-9	679961-63010	E-ring	2	0		
12-10	1950006-117	Contacting finger cam shaft	1	0		
12-11	1950007-632	Selecting dial shaft	1	0		
12-12	1950007-518	Selecting cam control spring	1	0		
12-13	679971-50010	Steel ball	1	0		
12-14	679913-41010	Set screw	1	0		
12-15	676113-CEA10	Pattern cam	1	0		
12-16	676114-CEA10	Pattern cam	1	0		
12-17	1950006-119	Pattern cam spring	1	0		
12-18	679941-84010	Washer	1	0		
12-19	679922-43010	Set screw	2	0		
12-20	10962	Set screw	2	0		

13. Pattern cam mounting plate ②



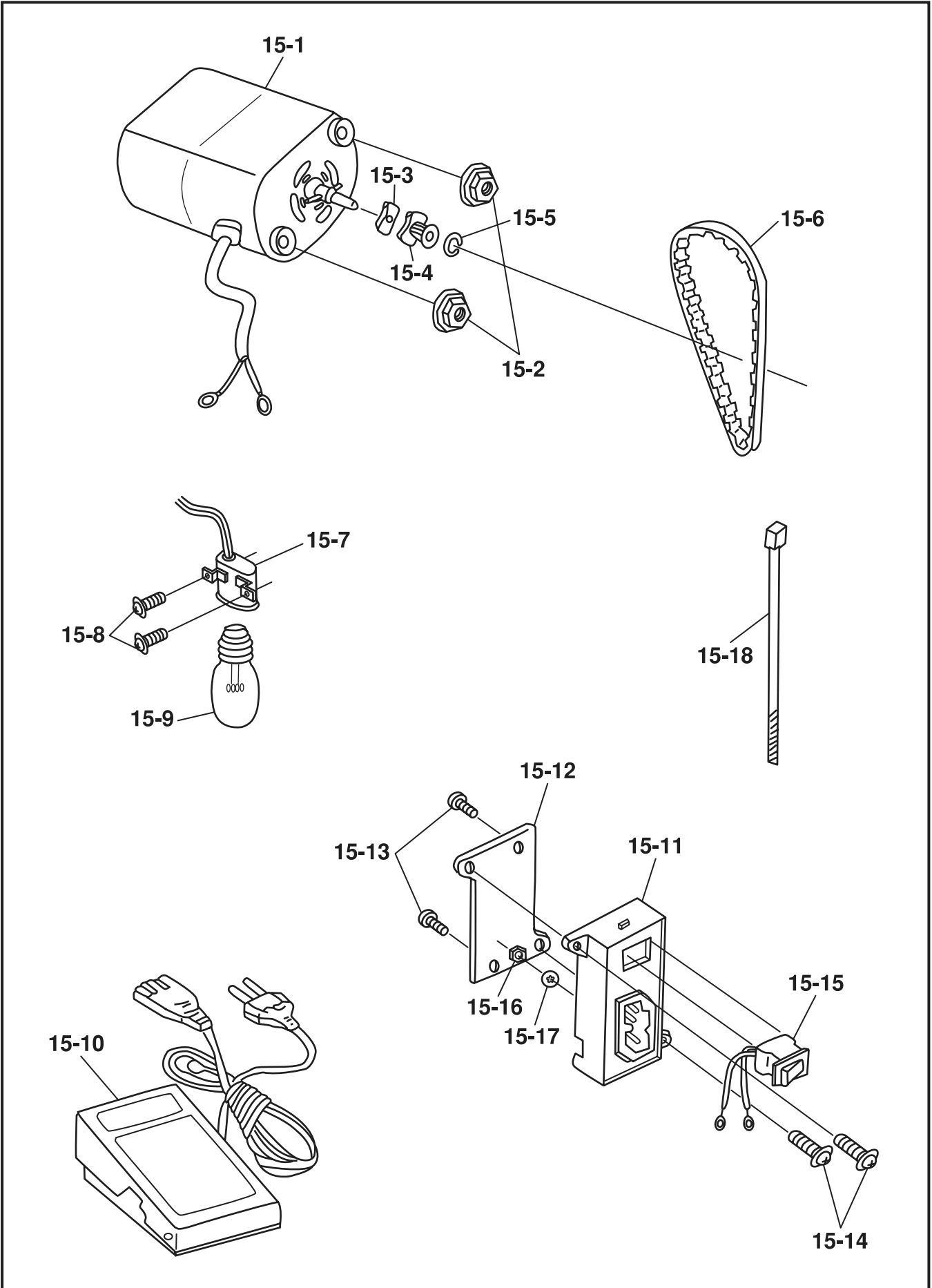
INDEX NO.	REF.NO.	PART NAME	QTY	MODEL NO.		
				7010		
13-1	676161-CEA10	Feed contacting finger guider	1	0		
13-2	679925-44010	Set screw	1	0		
13-3	679934-40010	Nut	1	0		
13-4	679961-53010	E-ring	1	0		
13-5	1950006-610	Feed lever	1	0		
13-6	10134	Set screw	1	0		
13-7	679934-40010	Nut	1	0		
13-8	1950006-124	Contacting finger	11	0		
13-9	1950006-125	Feed contacting finger	1	0		
13-10	20113	Set screw	1	0		
13-11	679934-40010	Nut	1	0		
13-12	676123-CEA10	Collar	1	0		
13-13	676126-CEA10	Collar	1	0		
13-14	676131-CEA10	Z/Z contacting finger guider	1	0		
13-15	679934-40010	Nut	2	0		
13-16	679912-43010	Set screw	1	0		
13-17	679925-44010	Set screw	1	0		
13-18	679941-73010	Washer	2	0		
13-19	676210-CEA10	Z/Z driver lever	1	0		
13-20	1950006-375	Contacting finger collar	2	0		
13-21	679912-41010	Set screw	2	0		
13-22	679945-73010	Washer	1	0		

14. Pattern cam mounting plate ③



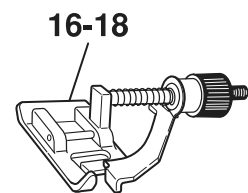
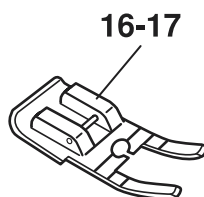
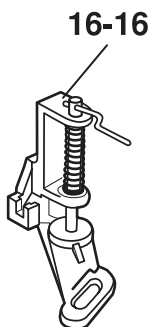
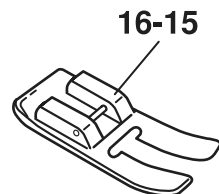
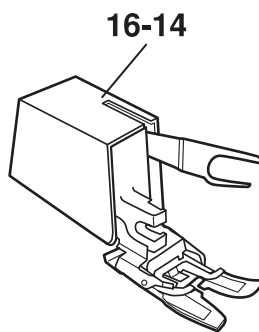
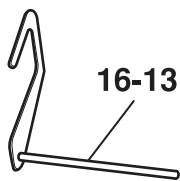
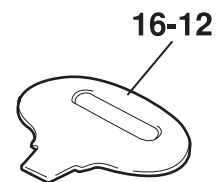
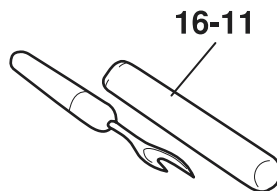
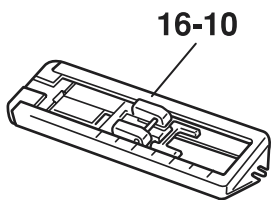
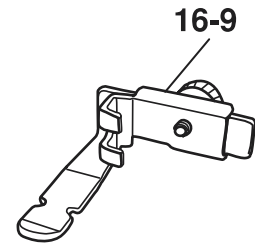
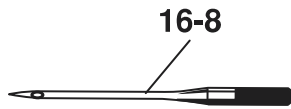
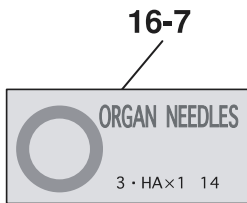
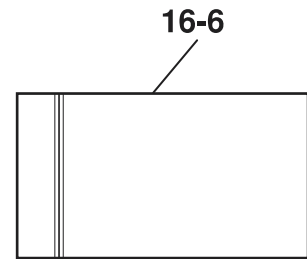
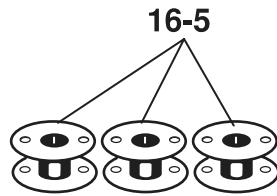
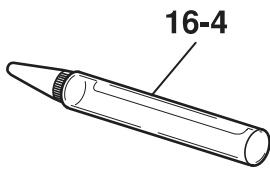
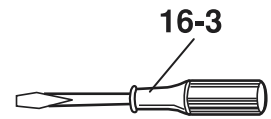
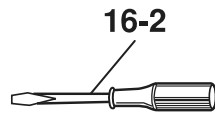
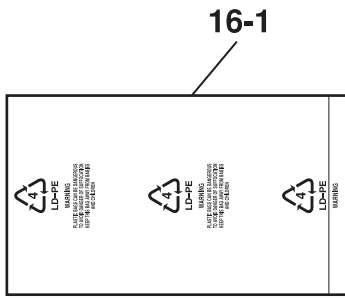
INDEX NO.	REF.NO.	PART NAME	QTY	MODEL NO.		
				7010		
14-1	676281-CEA10	Pattern selecting cam	1	0		
14-2	1950007-633	Selecting cam spring	1	0		
14-3	1920006-384	Selecting cam driving gear -A-	1	0		
14-4	1920007-658	Selecting cam driving belt	1	0		
14-5	1920007-693	Tension ass'y	1	0		
14-6	1920007-696	Tension pulley	1	0		
14-7	10955	Set screw	1	0		
14-8	1920007-620	Crank gear shaft	1	0		
14-9	1920006-385	Selecting cam crank gear -B-	1	0		
14-10	679961-53010	E-ring	2	0		
14-11	1920007-656	Selecting cam crank gear -C-	1	0		
14-12	679912-41020	Set screw	3	0		
14-13	1920007-632	Selecting dial shaft	1	0		
14-14	677113-CEA20-651	Pattern indicating body	1	0		
14-15	679945-73010	Washer	1	0		
14-16	679941-74010	Flat washer	2	0		
14-17	1920007-521-651	Pattern selecting dial	1	0		

15. Motor & Foot control



INDEX NO.	REF.NO.	PART NAME	QTY	MODEL NO.		
				7010		
15-1	1921018-835	Motor ass'y	1	0		
15-2	679932-41010	Screw for motor	2	0		
15-3	678515-DBA10	Cushion rubber	1	0		
15-4	678503-DBA10	Motor pulley	1	0		
15-5	679961-32010	E-ring	1	0		
15-6	1750008-843	Motor belt	1	0		
15-7	1350018-110	Light socket ass'y	1	0		
15-8	679913-32020	Set screw	2	0		
15-9	150038-116	Light bulb	1	0		
15-10	678561-1DB10	Foot controller	1	0		
15-11	1150028-838	Terminal box	1	0		
15-12	1150008-846	Terminal box holding plate	1	0		
15-13	679923-33010	Set screw	2	0		
15-14	679913-45010	Set screw	2	0		
15-15	1921018-870	Switch	1	0		
15-16	30112	Nut	4	0		
15-17	60302	Washer	4	0		
15-18	950008-848	Fastener	3	0		

16. Accessories



INDEX NO.	REF.NO.	PART NAME	QTY	MODEL NO.		
				7010		
16-1	150002-484	Vinyle sack	1	O		
16-2	719001-364	Screw driver (small)	1	O		
16-3	719001-363	Screw driver (large)	1	O		
16-4	1650009-842	Oiler	1	O		
16-5	1921003-520	Bobbins	3	O		
16-6	672392-AGA10	Needle bag	1	O		
16-7	150002-481	Needle #14 set	1	O		
16-8	672385-AGA10	Ball point needle	1	O		
16-9	150002-360	Piping / Zipper foot	1	O		
16-10	672490-DBA10	Buttonhole foot	1	O		
16-11	679311-AGA10	Buttonhole cutter	1	O		
16-12	679313-DBA10	Needle plate screw driver	1	O		
16-13	679318-CGA10	Quilting guide	1	O		
16-14	672497-CGA10	Walking foot	1	O		
16-15	672466-CGA10	Open toe appliqué foot	1	O		
16-16	672409-CGA10	Darning foot	1	O		
16-17	672467-AGA10	Piecing foot	1	O		
16-18	1350002-369	Blind stitch foot	1	O		
16-19	679111-CEA80	Instruction book (English/Spanish)	1	O		
16-20	679210-CEA50	Carton (White)	1	O		

679892-CEA30
2007.02