

SINGER
7043SN603/7034

LIST OF PARTS

Sewing Machine Models

Same as 7034

7043 **S**N603

by **SINGER***



A Publication of Product Support
International Group Engineering

Part No. 317161-044

Printed in Taiwan

* A trademark of The Singer Company
Copyright 1993, Singer Sewing Machine Company

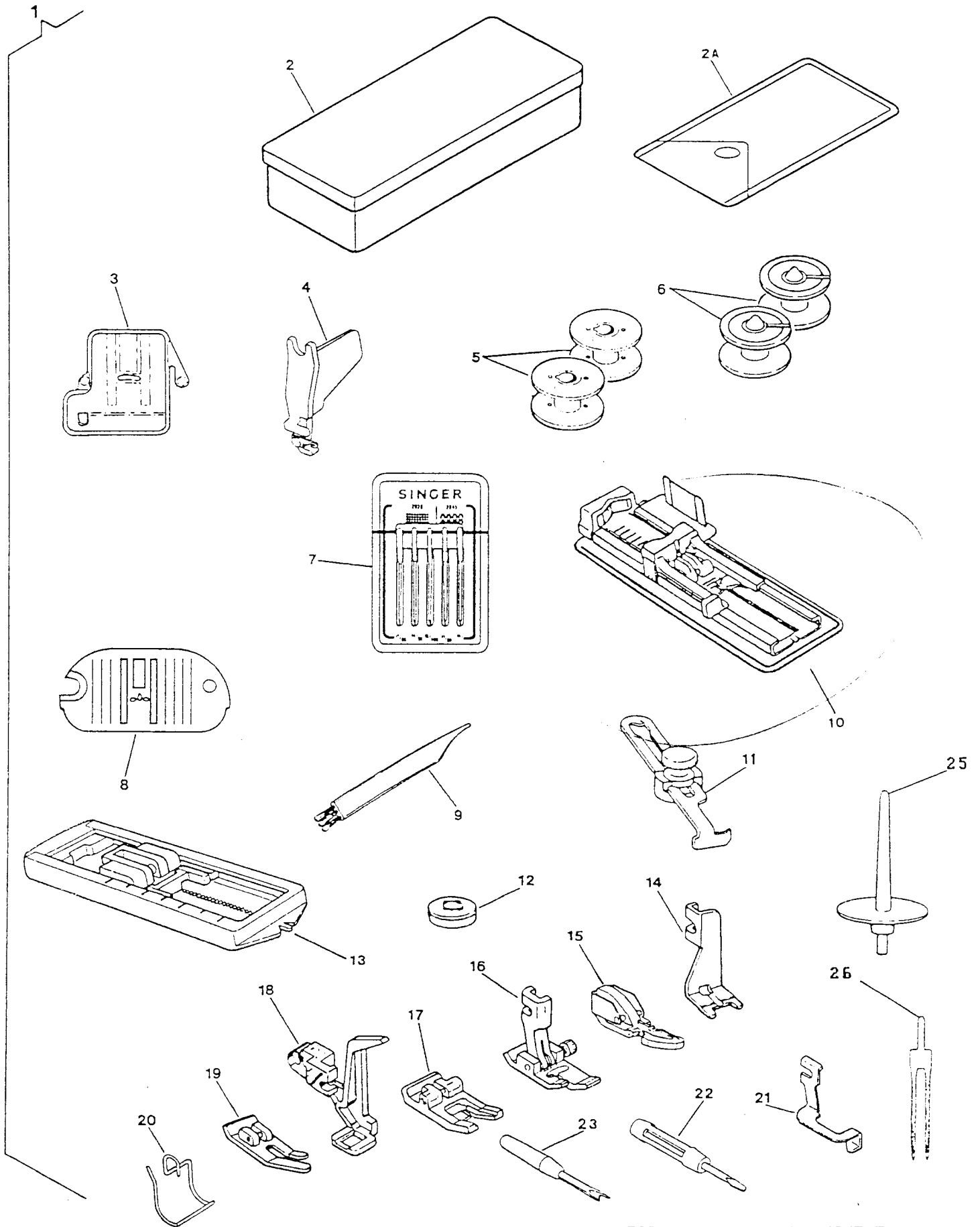
All rights reserved throughout the world

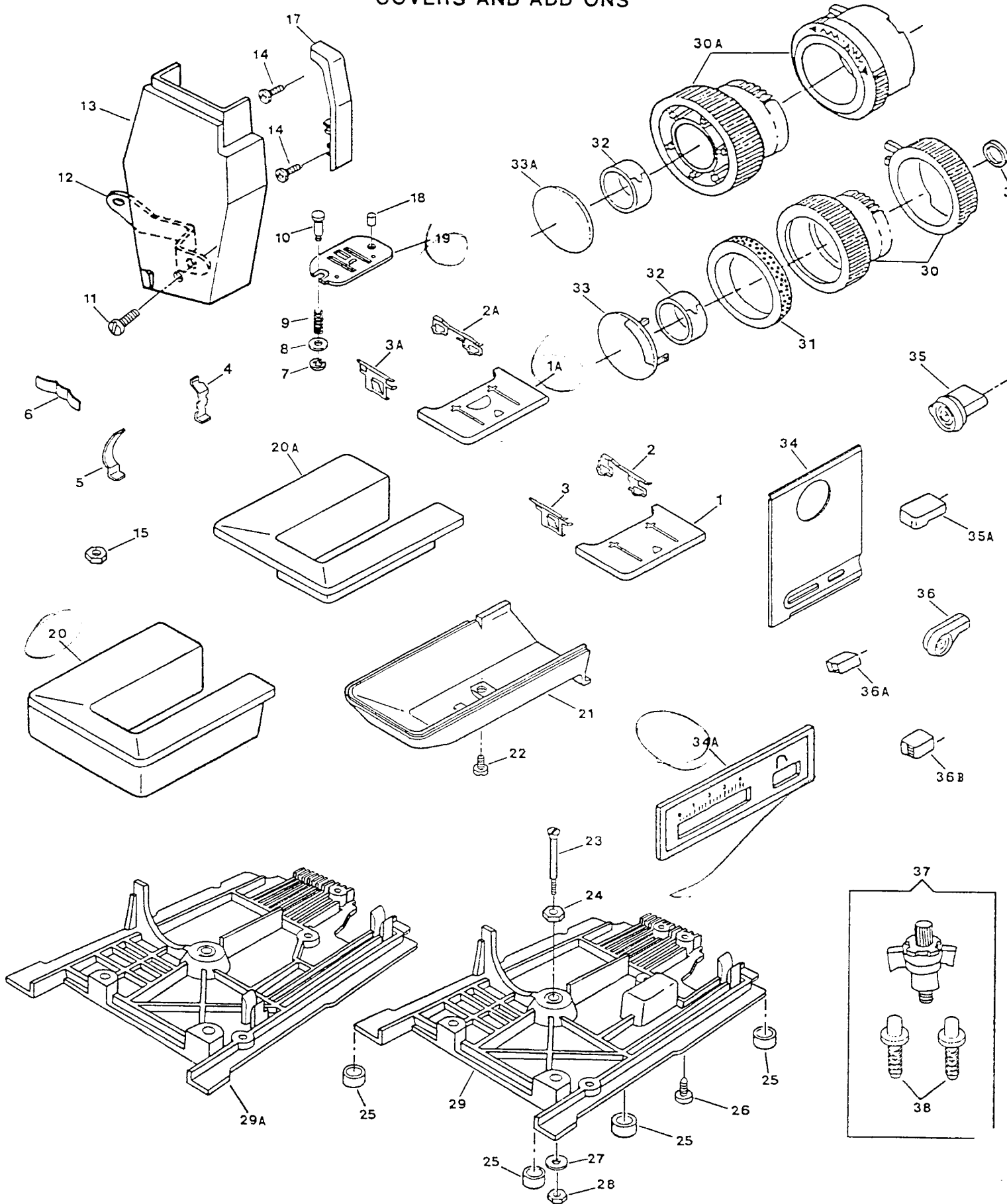
INDEX

PAGE NO.	SUBASSEMBLY
1, 2	ATTACHMENT SET
3, 4	COVERS AND ADD ONS
5, 8	ARM TOP COVER
9, 10	ARM SHAFT DRIVE SYSTEM
11, 12	HAND WHEEL
13, 14	COAXIAL PRESSER BAR SYSTEM
15, 16	NEEDLE BAR & THREAD TAKE-UP
17, 18	ALPHA FEED
19, 20	HOOK SYSTEM (APOLLO)
21, 22	HOOK AND BOBBIN WINDING SYSTEM (CENTAUR)
23, 28	PATTERN, STITCH LENGTH CONTROL & CAM CONTROLLED FEED
29, 30	DEMAND RESPONSIVE NEEDLE TENSION SYSTEM
31, 36	ELECTRICAL EQUIPMENT

ATTACHMENT SET
MODEL: 7043SN603

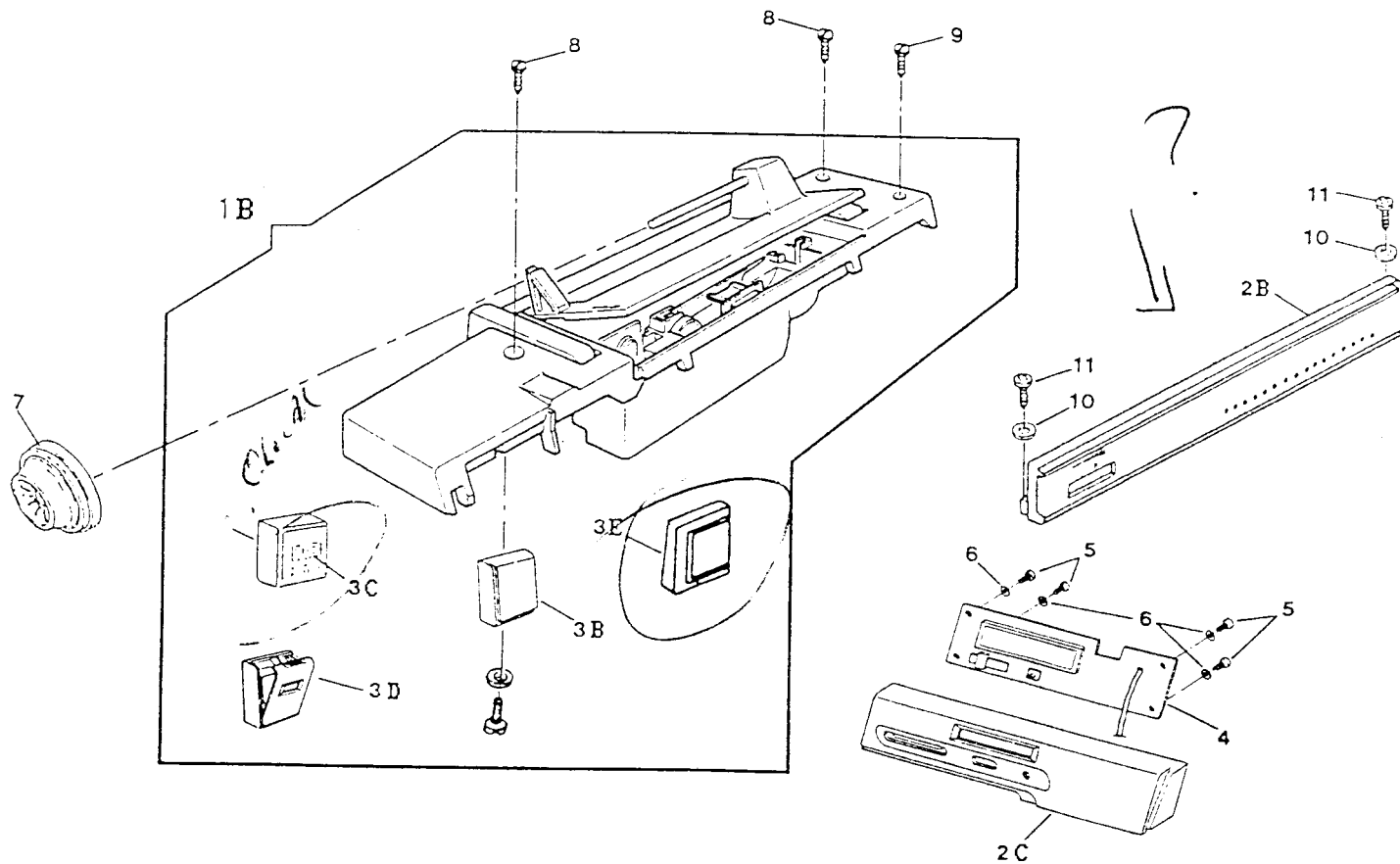
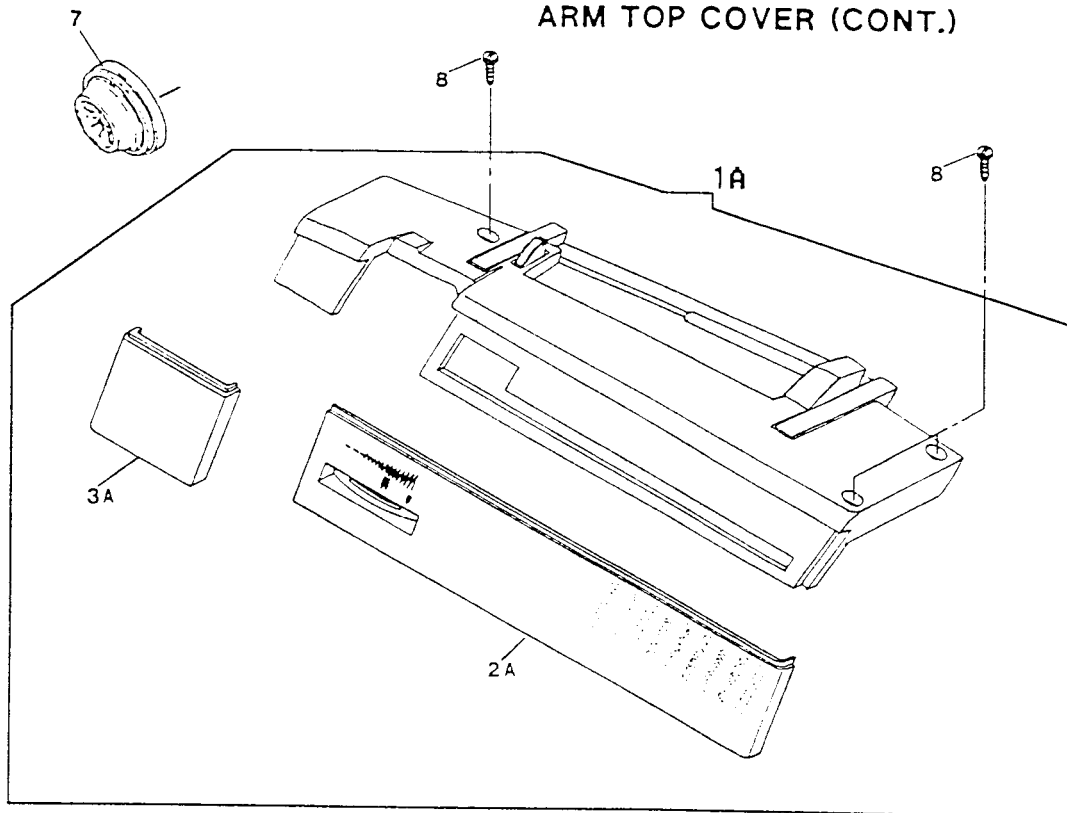
REF. NO.	PART NO.	DESCRIPTION
1	313032E	ATTACHMENT COMPLETE
3	313117	FEED COVER PLATE
4	503277-454	NEEDLE THREADER COMPLETE
6	312956	ROTATING HOOK BOBBIN ASSEMBLY (TAIWAN)
7	353364	NEEDLE PACK (ALT:384064)
8	313066	THROAT PLATE FOR STRAIGHT SEWING
9	546358	LINT BRUSH
10	313093-451	BUTTONHOLE (ONE-STEP) COMPLETE
11	161172	SEAM AND BLINDSTITCH HEM GUIDE COMPLETE
12	507664-467	ARM SPOOL PIN THREAD LEAD-OFF
14	381066	PRESSER FOOT PLATE FOR BUTTON SEWING
15	171480	PRESSER FOOT PLATE (SNAP-ON) FOR CORDING AND SLIDE FASTENERS COMPLETE
16	381491	BLIND HEM PRESSER FOOT ASSEMBLY
17	171463	SPECIAL PURPOSE PRESSER FOOT PLATE (SNAP-ON)
18	384037	DARNING AND EMBROIDERY FOOT COMPLETE (PLASTIC)
19	161919	PRESSER FOOT PLATE (SNAP-ON) FOR STRAIGHT SEWING (ALTERNATE)
19	353628	PRESSER FOOT PLATE (SNAP-ON) FOR STRAIGHT SEWING
20	421588	FINGER GUARD (FOR GERMANY)





COVERS AND ADD ONS
MODEL: 7043SN603

REF. PART NO.	PART NO.	DESCRIPTION
1A	314109	BED SLIDE ASSEMBLY COMPLETE (ALT:313166)
2A	312779	BED SLIDE SPRING (RIGHT)
3A	313108	BED SLIDE SPRING (LEFT)
6	313118	CLOTH PLATE SPRING
7	313098	THROAT PLATE PLUNGER RETAINING RING
8	549426-451	THROAT PLATE PLUNGER WASHER
9	312805	THROAT PLATE PLUNGER SPRING
10	312804	THROAT PLATE PLUNGER
11	113521-451	FACE PLATE MOUNTING SCREW
12	314263	FACE PLATE MOUNTING BRACKET
13	314259-008	FACE PLATE COMPLETE
14	113470-003	THREAD TAKE-UP COVER MOUNTING SCREW
15	213049	BED INSERT NUT
17	314718-459	THREAD TAKE-UP COVER
18	353624	THROAT PLATE LOCATING PIN
19	312777	THROAT PLATE FOR ZIG ZAG SEWING
20	317361-452	CLOTH PLATE
21	312773-454	BED COVER (TUBULAR)
22	354633-452	BED COVER (TUBULAR) SCREW
23	313052-451	BOTTOM COVER MOUNTING BOLT
24	313173-451	BOTTOM COVER MOUNTING BOLT RETAINING NUT
25	313909-451	BED LEG CUSHION
26	113455-002	BED COVER PLATE (BOTTOM) SCREW
27	314712-451	BOTTOM COVER MOUNTING BOLT WASHER
28	313177-452	BOTTOM COVER MOUNTING BOLT MOUNTING NUT
29	312774-001	BED COVER PLATE (BOTTOM)
30	314239-452	PATTERN SELECTOR KNOB AND STITCH BALANCE KNOB ASSEMBLY
32	313535	PATTERN SELECTOR KNOB COMPRESSION RING
33A	314744-469	PATTERN SELECTOR KNOB TRIM PLATE
34A	317238-001	STITCH LENGTH CONTROL PANEL ASSEMBLY
35A	312657-454	REVERSE FEED CONTROL LEVER KNOB
36A	314676-454	BIGHT AMPLITUDE CONTROL LEVER KNOB
36B	312664-454	STITCH LENGTH CONTROL LEVER KNOB AND TENSION REGULATING KNOB
37	313180	MACHINE HOLD DOWN MOUNTING KIT
38	148869	MACHINE LOCATOR PIN
39	314153	PATTERN SELECTOR KNOB SPACER

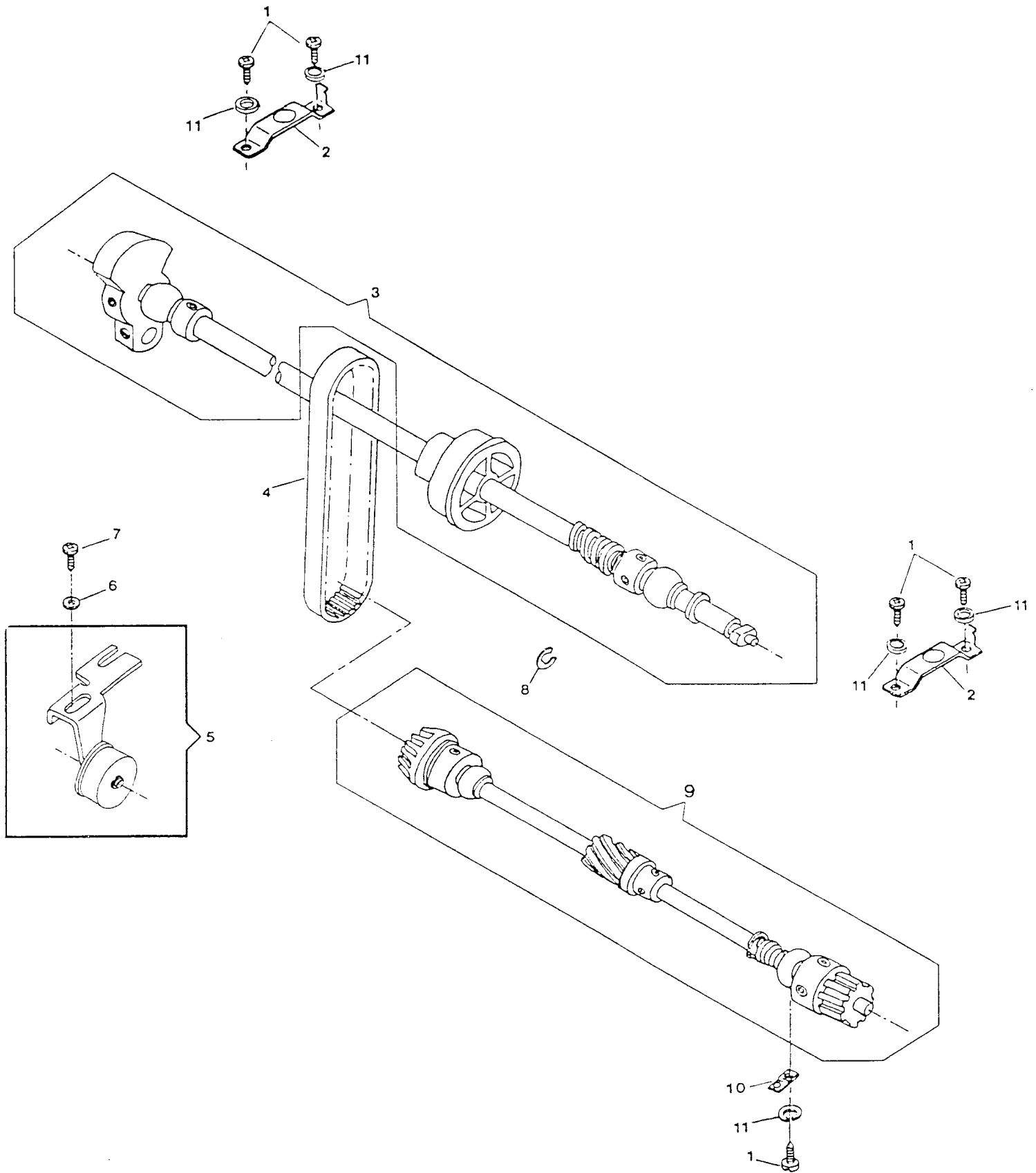


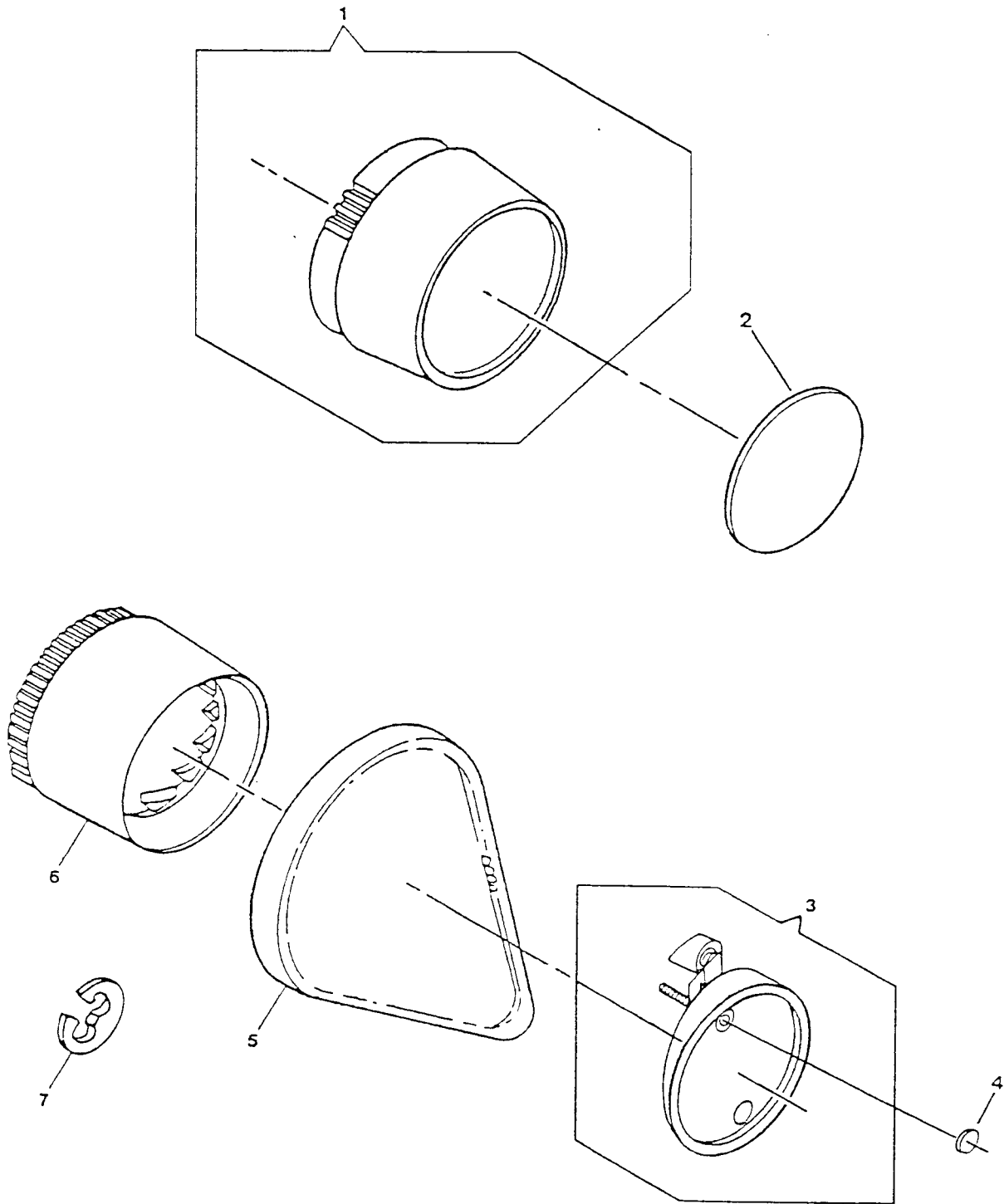
ARM TOP COVER (CONT.)
MODEL: 7043SN603

REF. PART NO.	PART NO.	DESCRIPTION
1B	314378-053	ARM TOP COVER ASSEMBLY WITH HANDLE
2B	317236-002	CONTROL PANEL WITH GRAPHICS
3C	317069-902	CLOCK ASS'Y
3E	314390-024	CONTROL PANEL EXTENSION ASSEMBLY
7	179967-455	SPOOL PIN THREAD LEAD-OFF
8	354927-001	ARM TOP COVER MOUNTING SCREW
9	354954-451	ARM TOP COVER MOUNTING SCREW (RIGHT FRONT)
10	502495-451	CONTROL PANEL SCREW WASHER
11	113455-001	CONTROL PANEL SCREW

ARM SHAFT DRIVE SYSTEM
MODEL: 7043SN603

REF. PART NO.	NO.	DESCRIPTION
1	113455-001	ARM SHAFT (HORIZONTAL) BUSHING (LEFT & RIGHT) CLAMP SCREW
2	312796	ARM SHAFT (HORIZONTAL) BUSHING (LEFT & RIGHT) CLAMP ASSEMBLY
3	286580-002	ARM SHAFT ASSEMBLY (CENTAUR)
4	603975-011	BELT (ROTATING HOOK DRIVE) ALT:603975-012
5	313195	IDLER BRACKET ASSEMBLY
6	314041-451	ROTATING HOOK DRIVING BELT TENSION ADJUSTER SCREW WASHER
7	113455-002	ROTATING HOOK DRIVING BELT TENSION ADJUSTER SCREW
9	314010	ROTATING HOOK DRIVE SHAFT SUB-ASSEMBLY
10	313816	ROTATING HOOK DRIVE SHAFT BUSHING (SELF-ALIGNING) CLAMP
11	314013-451	ROTATING HOOK DRIVE SHAFT BUSHING (SELF-ALIGNING) CLAMP SCREW AND ARM SHAFT BUSHING CLAMP SCREW LOCK WASHER





HAND WHEEL
MODEL: 7043SN603

REF. PART NO.	PART NO.	DESCRIPTION
1	312991-459	HAND WHEEL ASSEMBLY
2	314743-906	HAND WHEEL NAME PLATE (CENTAUR)
5	312628-001	BELT (MOTOR DRIVE) ALT:979285-001

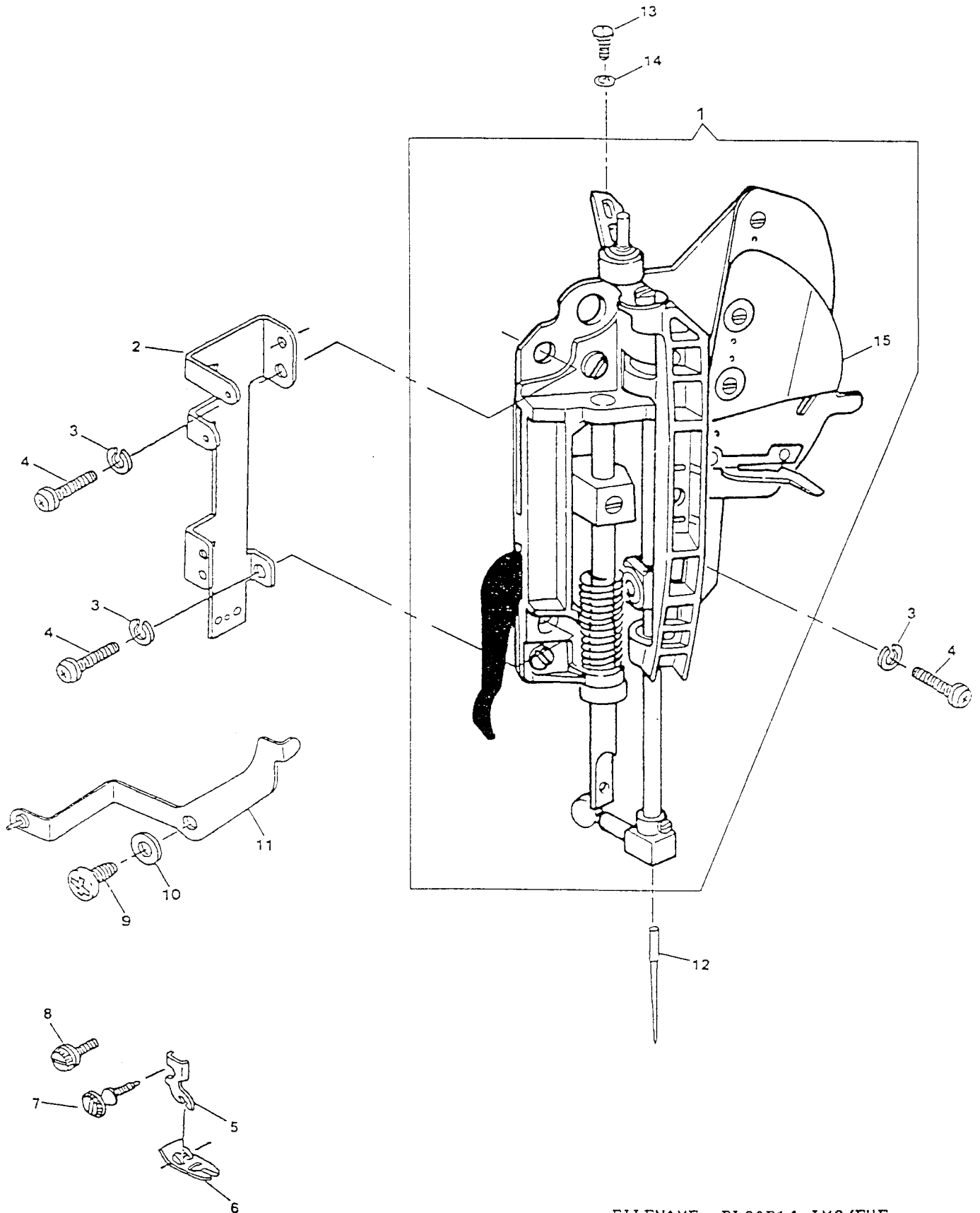
COAXIAL PRESSER BAR SYSTEM FOR NEW HEAD END
MODEL: 7043SN603

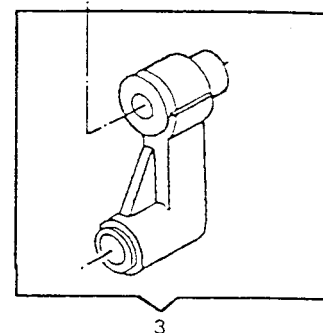
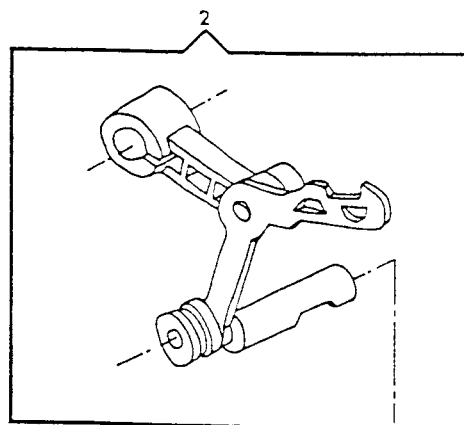
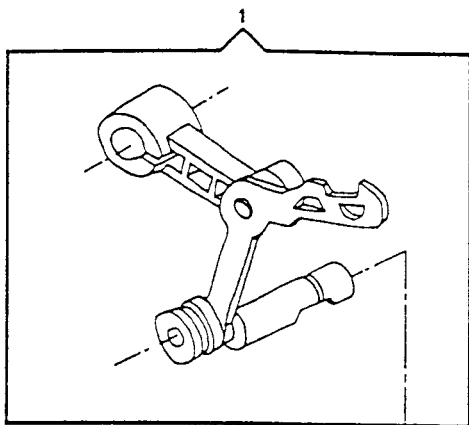
REF. PART

NO. NO.

DESCRIPTION

1	314700	HEAD END MODULE (CENTAUR)
2	314591	FACE PLATE MOUNTING BRACKET
3	313955-451	HEAD END MOUNTING PLATE LOCK WASHER
4	113455-012	HEAD END MOUNTING PLATE SCREW
5	163706-451	PRESSER FOOT SHANK (SNAP-ON)
6	313150	PRESSER FOOT SOLE (SNAP-ON) FOR ZIG-ZAG SEWING
8	314627-451	PRESSER FOOT THUMB SCREW & BOBBIN WINDER THREAD HOLDER
9	113455-001	NEEDLE THREAD TENSION RELEASE LEVER HINGE SCREW
10	314041-451	NEEDLE THREAD TENSION RELEASE LEVER RETAINING WASHER
11	314589	NEEDLE THREAD TENSION RELEASE LEVER ASSEMBLY
12	N2045	NEEDLE (SIZE NO.14)
13	113408-001	NEEDLE BAR DRIVING ARM BALL JOINT SCREW
14	931929-004	NEEDLE BAR DRIVING ARM BALL JOINT SCREW WASHER
15	314690	THREAD PINCH PLATE





NEEDLE BAR & THREAD TAKE-UP FOR NEW HEAD END
MODEL: 7043SN603

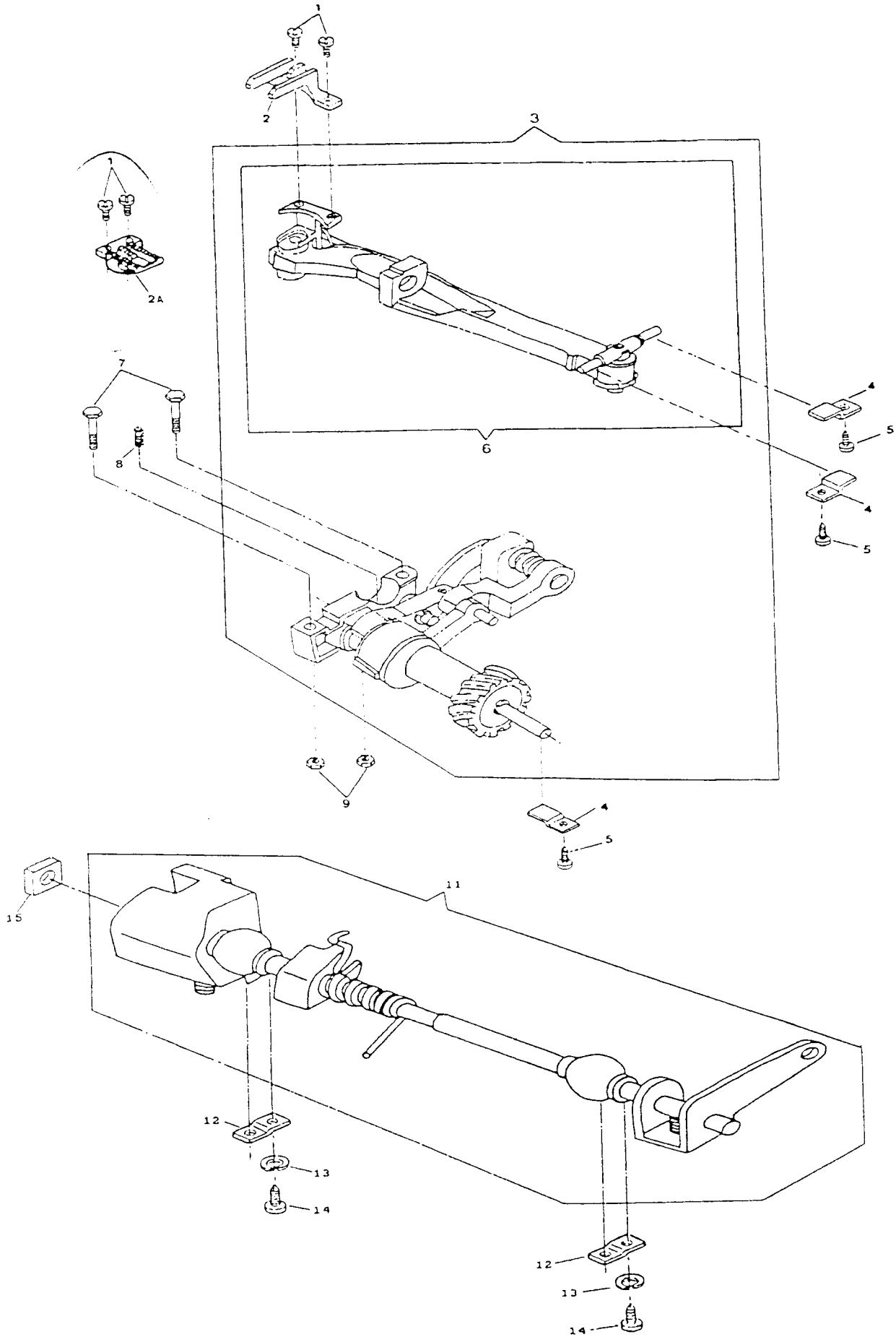
REF. PART
NO. NO.

DESCRIPTION

<u>2</u>	<u>314699</u>	<u>THREAD TAKE-UP COMPLETE (CENTAUR)</u>
3	137528-901	NEEDLE BAR CONNECTING LINK

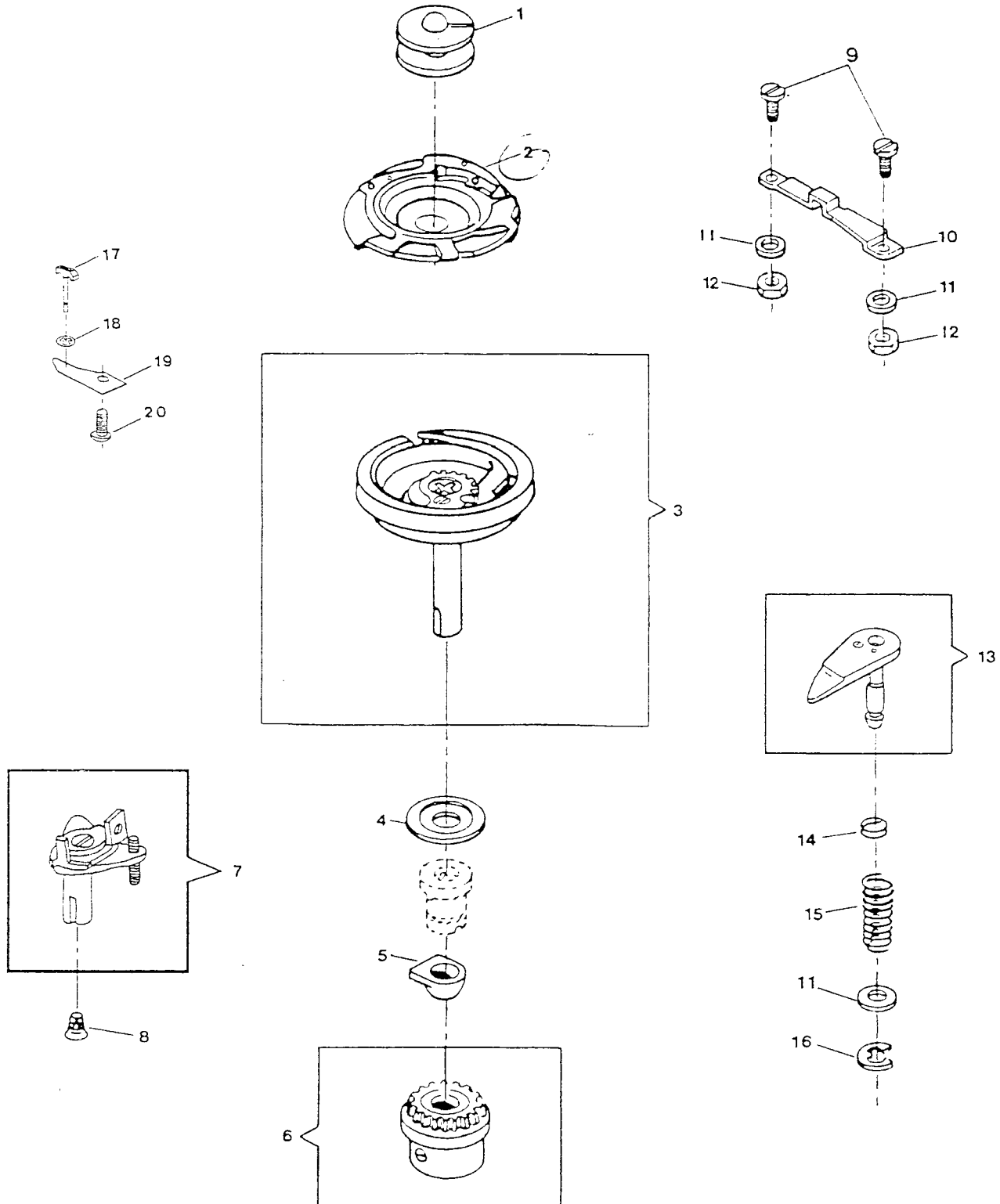
ALPHA FEED
MODEL: 7043SN603

REF. PART NO. NO.	DESCRIPTION	6N 6N	22 26	47 49	04 06
1 141920-452	FEED DOG SCREW				
2 313021	FEED DOG (ZINC) (CENTAUR)	X	X		
3 314140-001	ALPHA FEED MODULE (ALT:313012)				
4 312851	FEED BAR PIVOT HINGE STUD CLAMP				
5 113455-003	CLAMP SCREW	X	X		
6 314141	FEED BAR ASSEMBLY	X	X		
7 354921-451	FEED & ROTATING HOOK DRIVE SHAFT BEARING BLOCK SCREW	X	X		
8 314070	ROTATING HOOK DRIVE SHAFT BUSHING SPRING	X	X		
9 514674-451	FEED & ROTATING HOOK DRIVE SHAFT BEARING BLOCK MOUNTING SCREW NUT	X	X		
11 313133	FEED REGULATOR SHAFT ASSEMBLY	X	X		
12 313816	FEED REGULATOR SHAFT BUSHING (SELF-ALIGNING) CLAMP	X	X		
13 314013-451	FEED REGULATOR SHAFT BUSHING (SELF-ALIGNING) CLAMP SCREW LOCK WASHER	X	X		
14 113455-001	FEED REGULATOR SHAFT BUSHING (SELF-ALIGNING) CLAMP SCREW	X	X		
15 511030	FEED REGULATOR SLIDE BLOCK	X	X		



HOOK AND BOBBIN WINDING SYSTEM (CENTAUR)
MODEL: 7043SN603

REF. PART NO.	PART NO.	DESCRIPTION
1	312956-001	BOBBIN
2	314662	ROTATING HOOK BOBBIN CASE COMPLETE (USED WITH 314025)
3	313183-002	ROTATING HOOK ASSEMBLY
4	314049-001	ROTATING HOOK FLANGED BUSHING THRUST WASHER
5	312847	ROTATING HOOK FLANGED BUSHING WASHER
6	314012	ROTATING HOOK BEVEL GEAR COMPLETE
7	313956	BED SLIDE ACTUATING LEVER ASSEMBLY
8	354929-451	BED SLIDE ACTUATING LEVER STUD SCREW
9	113439-451	ROTATING HOOK BOBBIN CASE POSITION PLATE SCREW
10	312738	ROTATING HOOK BOBBIN CASE POSITION PLATE
11	313190-451	ROTATING HOOK BOBBIN CASE POSITION PLATE SCREW WASHER
12	313945-451	ROTATING HOOK BOBBIN CASE POSITION PLATE SCREW NUT
13	313088	ROTATING HOOK BOBBIN CASE RETAINING PLATE COMPLETE
14	313930	ROTATING HOOK BOBBIN CASE RETAINING PLATE RETURN SPRING
15	314072	ROTATING HOOK BOBBIN CASE RETAINING PLATE SPRING
16	312702	ROTATING HOOK BOBBIN CASE RETAINING PLATE SPRING RETAINING RING



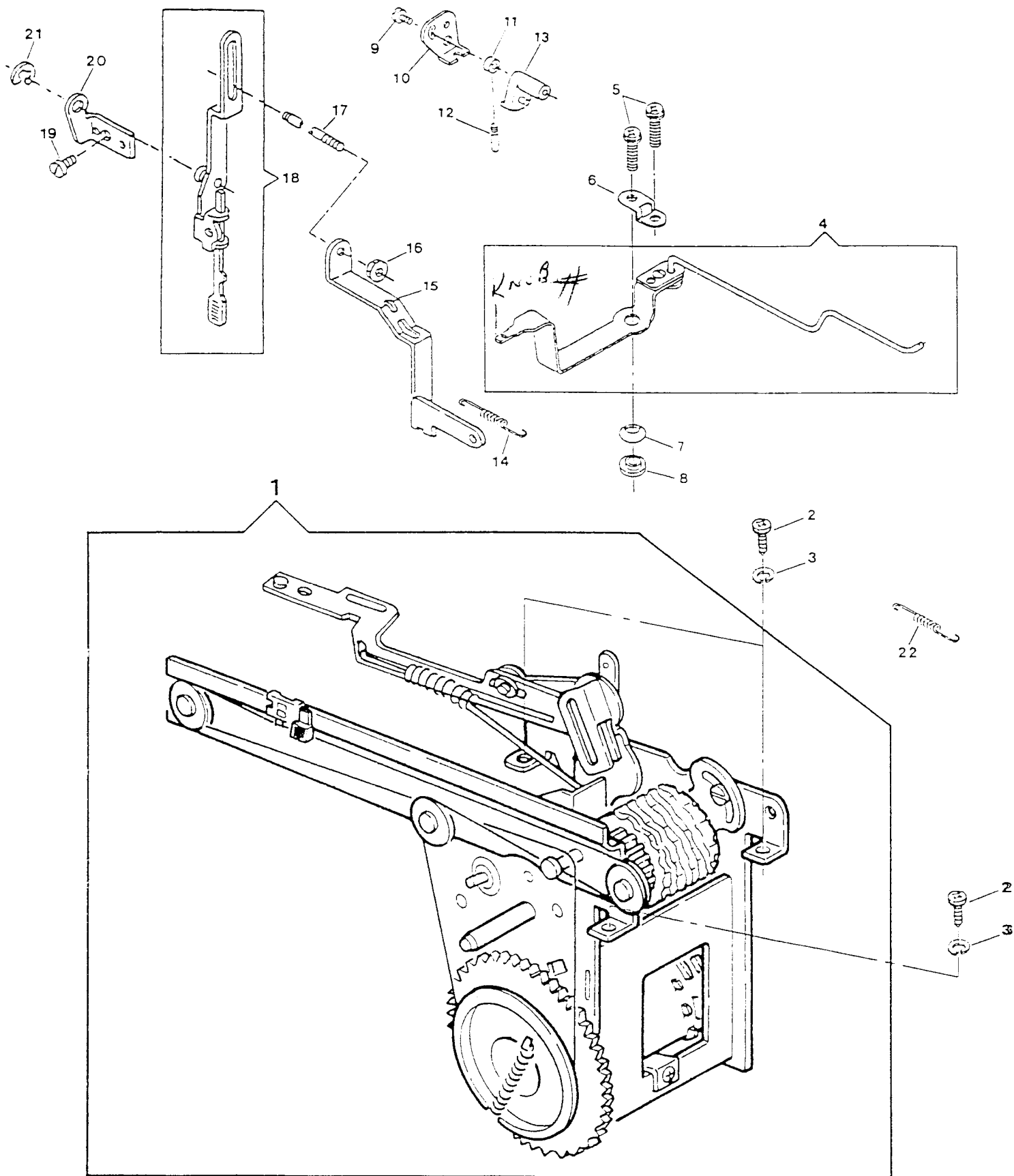
PATTERN, STITCH LENGTH CONTROL & CAM CONTROLLED FEED (CONT.)
 MODEL: 7043SN603

REF. PART NO.	PART NO.	DESCRIPTION
1	314732-002	PATTERN SELECTOR MODULE
2	113455-001	DISC SELECTOR MECHANISM MOUNTING PLATE SCREW (LEFT AND RIGHT)
3	314013-451	DISC SELECTOR MECHANISM MOUNTING PLATE SCREW (LEFT AND RIGHT) LOCK WASHER
4	314607-003	BIGHT AMPLITUDE CONTROL LEVER ASSEMBLY * KNOB # 314676 454
5	113455-014	BIGHT AMPLITUDE CONTROL LEVER STOP ADJUSTMENT SCREW
6	314683	BIGHT AMPLITUDE CONTROL LEVER RETAINER
7	353457	BIGHT AMPLITUDE CONTROL LEVER FRICTION WASHER
8	314611	BIGHT AMPLITUDE CONTROL SHOULDER WASHER
9	544211-010	BUTTONHOLE ACTUATOR CAM ADJUSTING BRACKET SCREW
10	313073	BUTTONHOLE ACTUATOR CAM ADJUSTING BRACKET
11	313022	BUTTONHOLE FOLLOWER HUB RELEASE
12	313023	BUTTONHOLE FOLLOWER HUB RELEASE PIN
13	313025	BUTTONHOLE ACTUATOR CAM
14	313799	BUTTONHOLE ACTUATOR ADJUSTING ROD SPRING
15	313005	BUTTONHOLE DISC CONTROL CATCH RELEASE LINK
16	314763-451	BUTTONHOLE TRIPPING ROD ADJUSTING AND LOCKING NUT
17	312982	BUTTONHOLE TRIPPING LEVER ROD
18	312994-002	BUTTONHOLE KICK-OUT TRIPPING ROD LEVER ASSEMBLY
19	354877-451	BUTTONHOLE PIVOT LEVER SCREW
20	313392	BUTTONHOLE LEVER PIVOT
21	312685	BUTTONHOLE KICK-OUT SHAFT TRIPPING LEVER RETAINING RING
22	314497	NEEDLE BAR DRIVING ARM SLIDE POSITIONING SPRING

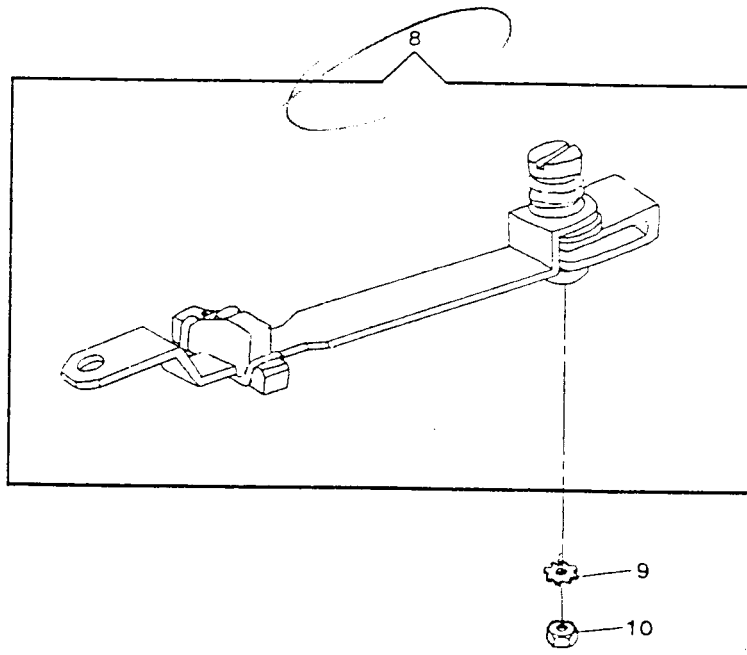
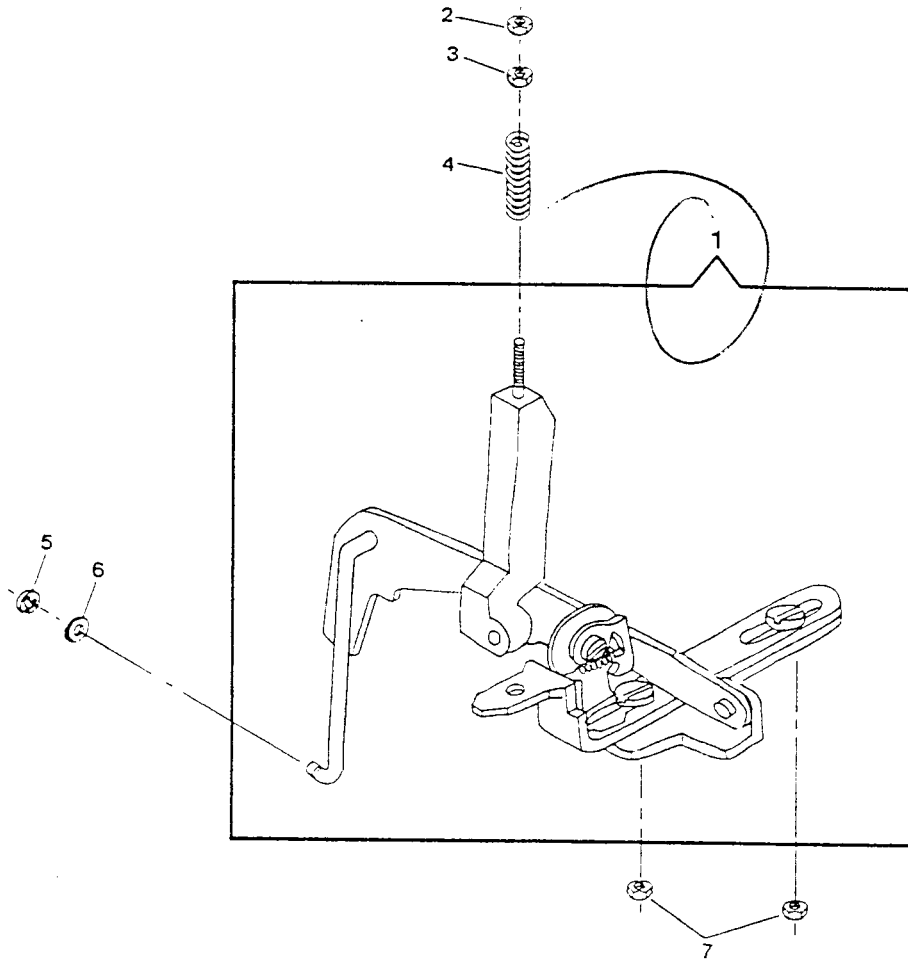
* String for pattern selector module
 is not available separately.

Order complete module # 314732002
 RLT 6-24-98

PATTERN STITCH LENGTH CONTROL AND CAM CONTROLLED FEED (CONT.)



PATTERN STITCH LENGTH CONTROL AND CAM CONTROLLED FEED (CONT.)



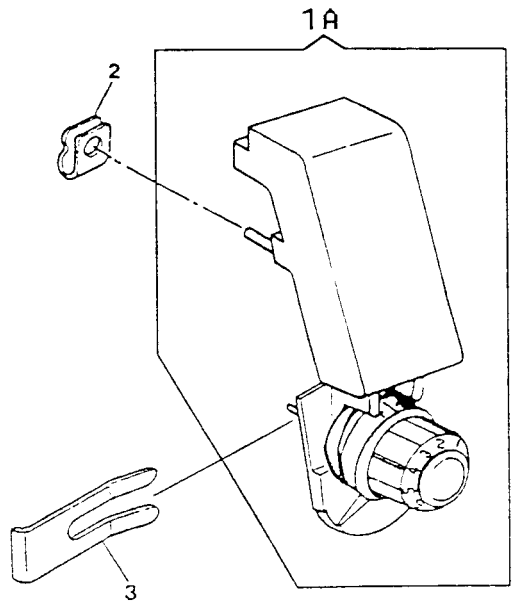
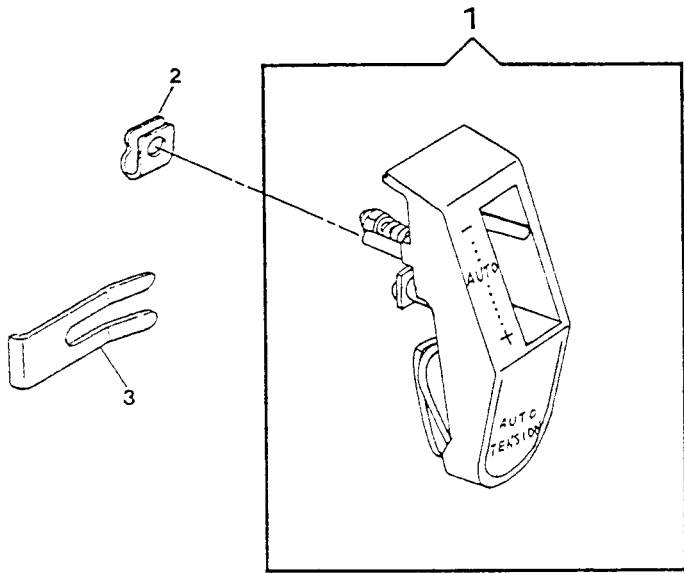
PATTERN, STITCH LENGTH CONTROL & CAM CONTROLLED FEED (CONT.)
MODEL: 7043SN603

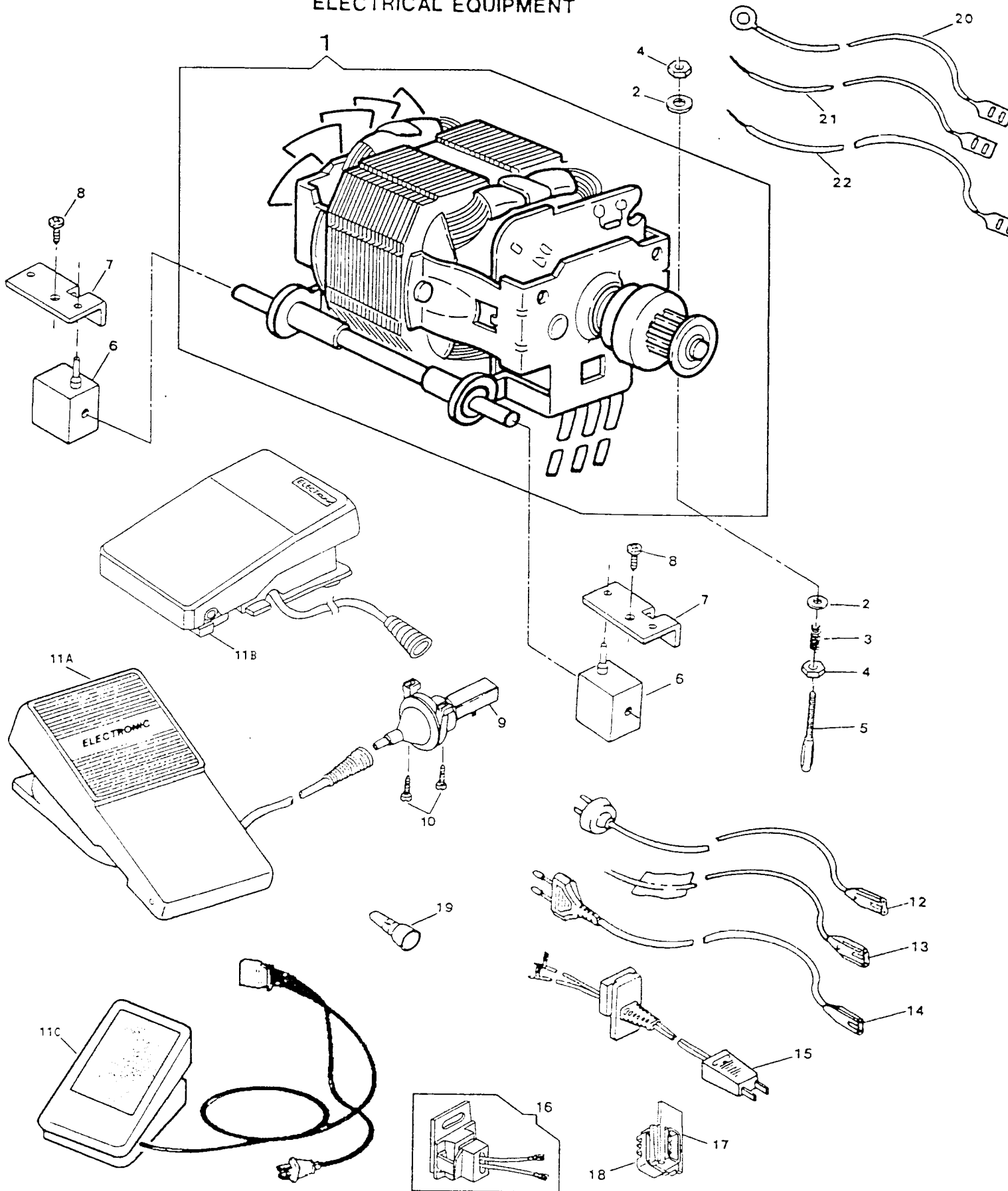
REF. PART NO.	PART NO.	DESCRIPTION
1	314300-002	FEED REVERSE MECHANISM
2	514674-451	CAM CONTROLLED FEED CONNECTING ROD LOCKING NUT
3	312645-451	CAM CONTROLLED FEED DISC FOLLOWER ACTUATOR CONNECTING ROD ADJUSTING
4	313143	CAM CONTROLLED FEED DISC FOLLOWER ACTUATOR CONNECTING ROD SPRING
5	312702	FEED LEVER CONNECTING LINK RETAINING RING
6	313891	CAM CONTROLLED FEED CONNECTING ROD STABILIZING WASHER
7	514674-451	REVERSE FEED CONTROL LEVER GUIDE SCREW NUT
8	313569-001	STITCH LENGTH CONTROL LEVER ASSEMBLY
9	313172-451	STITCH LENGTH CONTROL LEVER PIVOT LOCK WASHER
10	313177-451	STITCH LENGTH CONTROL LEVER NUT

DEMAND RESPONSIVE NEEDLE TENSION SYSTEM
MODEL: 7043SN603

REF. PART NO.	PART NO.	DESCRIPTION
1	313077-026	THREAD TENSION MODULE
2	313199	TENSION COVER MOUNTING RETAINER
3	313047	TENSION COVER RETAINING CLIP

DEMAND RESPONSIVE NEEDLE TENSION SYSTEM



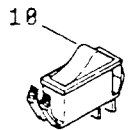
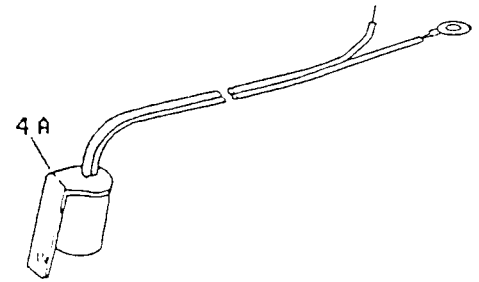
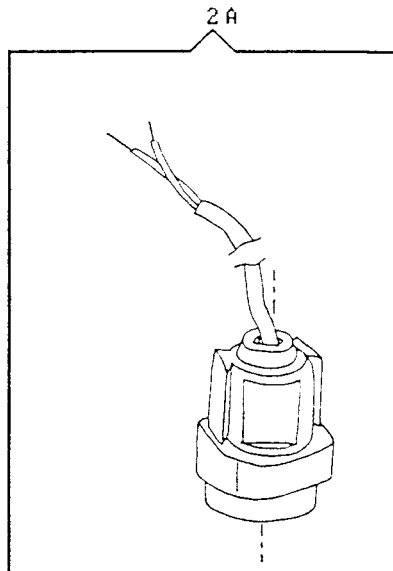
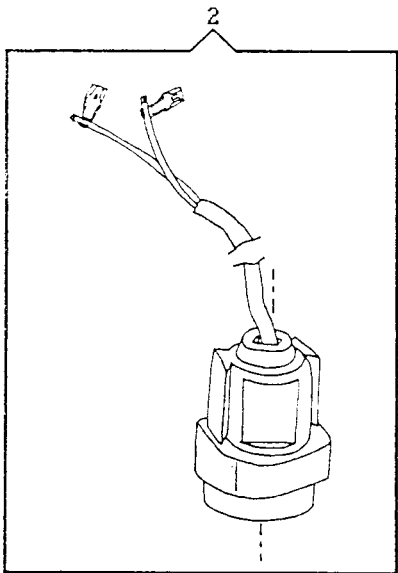
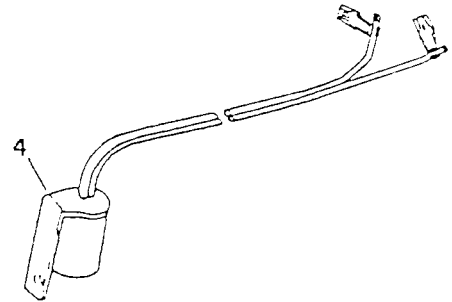
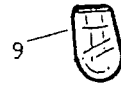
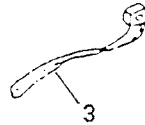
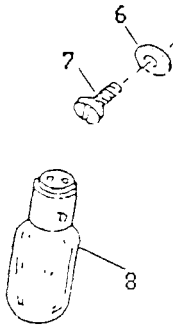
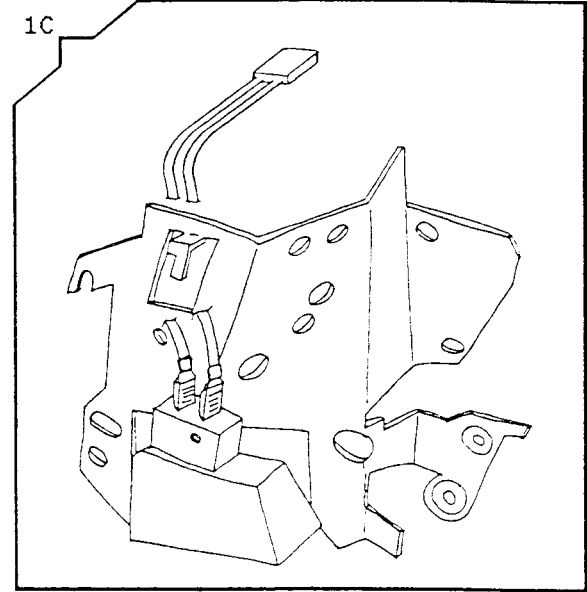
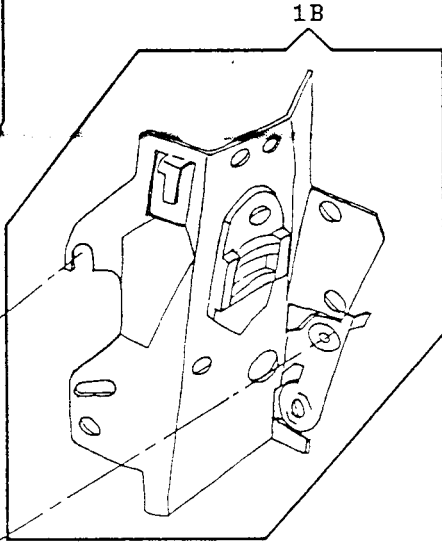
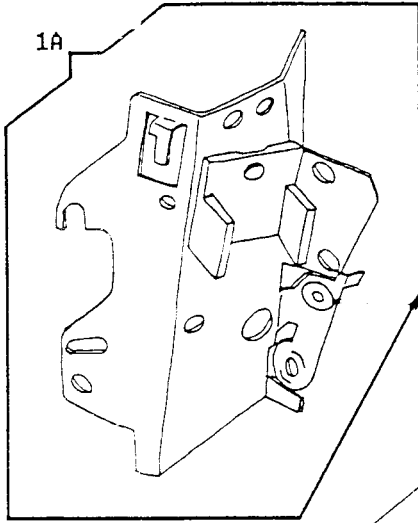


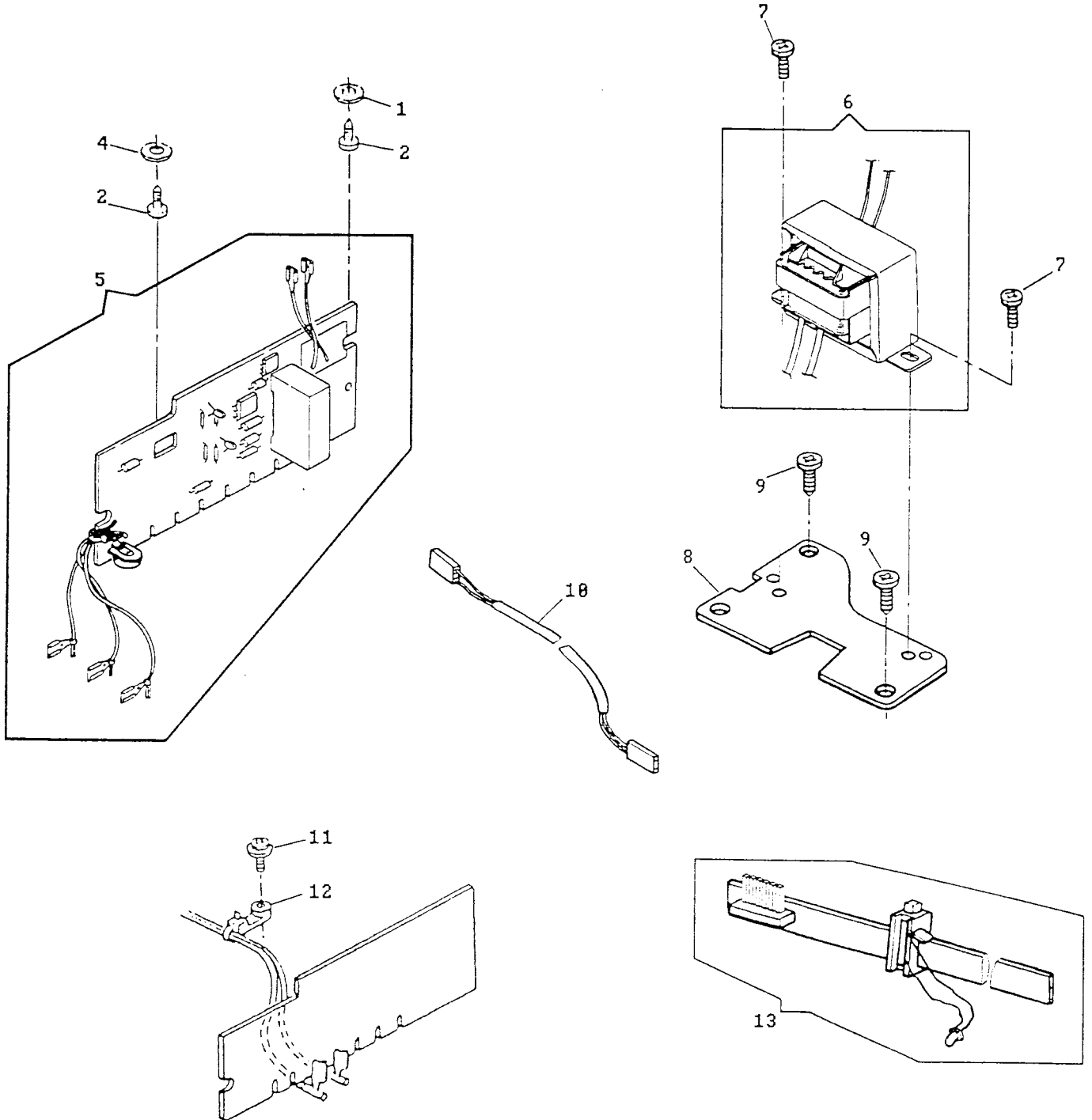
ELECTRICAL EQUIPMENT
MODEL: 7043SN603

REF. PART NO.	PART NO.	DESCRIPTION
1	988529-009	MOTOR COMPLETE (CAT. NO. TA4-8) (120V) (NATIONAL MOTOR)
2	37969	MOTOR ADJUSTING STUD NUT WASHER
3	314058	MOTOR BELT TENSION SPRING
4	53646	MOTOR ADJUSTING STUD NUT
5	988653-001	MOTOR ADJUSTING STUD
6	979329-001	RESILIENT MOUNT
7	988651-001	CLIP
8	113470-004	MOTOR MOUNTING SCREW
9	988549-005	PNEUMATIC TRANSDUCER
10	113444-003	PNEUMATIC TRANSDUCER MOUNTING SCREW
11A	988667-001	PNEUMATIC CONTROLLER ASSEMBLY
15	988557-001	CORD COMPLETE (120V)

ELECTRICAL EQUIPMENT(CONT.)
MODEL: 7043SN603

REF. PART NO.	NO.	DESCRIPTION
1B	314596-003	LINT AND HEAT SHIELD ASSEMBLY (120V)
3	540899	TY-WRAP SELF-LOCKING (ALT:605600-001)
4	979203-001	LAMP SOCKET (120V) (US/CANADA)
5	113455-003	THREAD TAKE-UP COVER AND LINT/HEAT SHIELD SCREW
6	446138	HEAT SHIELD MOUNTING SCREW WASHER
7	544211-002	HEAT SHIELD MOUNTING SCREW
8	194120-019	LIGHT BULB (120V) (ALT:542656-005) (DUAL VOLTAGE FOR U.S.A./KOREA/GERMANY & H.K.)
10	979585-007	ROCKER SWITCH (#3913)





ELECTRICAL EQUIPMENT (CONT.)
MODEL: 7043SN603

REF. PART NO.	PART NO.	DESCRIPTION
1	988547-002	WASHER, P.C. BOARD MOUNTING
2	113444-001	SCREW, P.C. BOARD MOUNTING
4	988547-001	WASHER, P.C. BOARD MOUNTING
5	979123-004	SPEED CONTROL P.C. BOARD ASSEMBLY (120V) (FULL WAVE)
11	113455-001	SCREW, LIGHT HARNESS
12	604690-001	SELF-LOCKING NYLON CABLE TIE, LIGHT HARNESS