



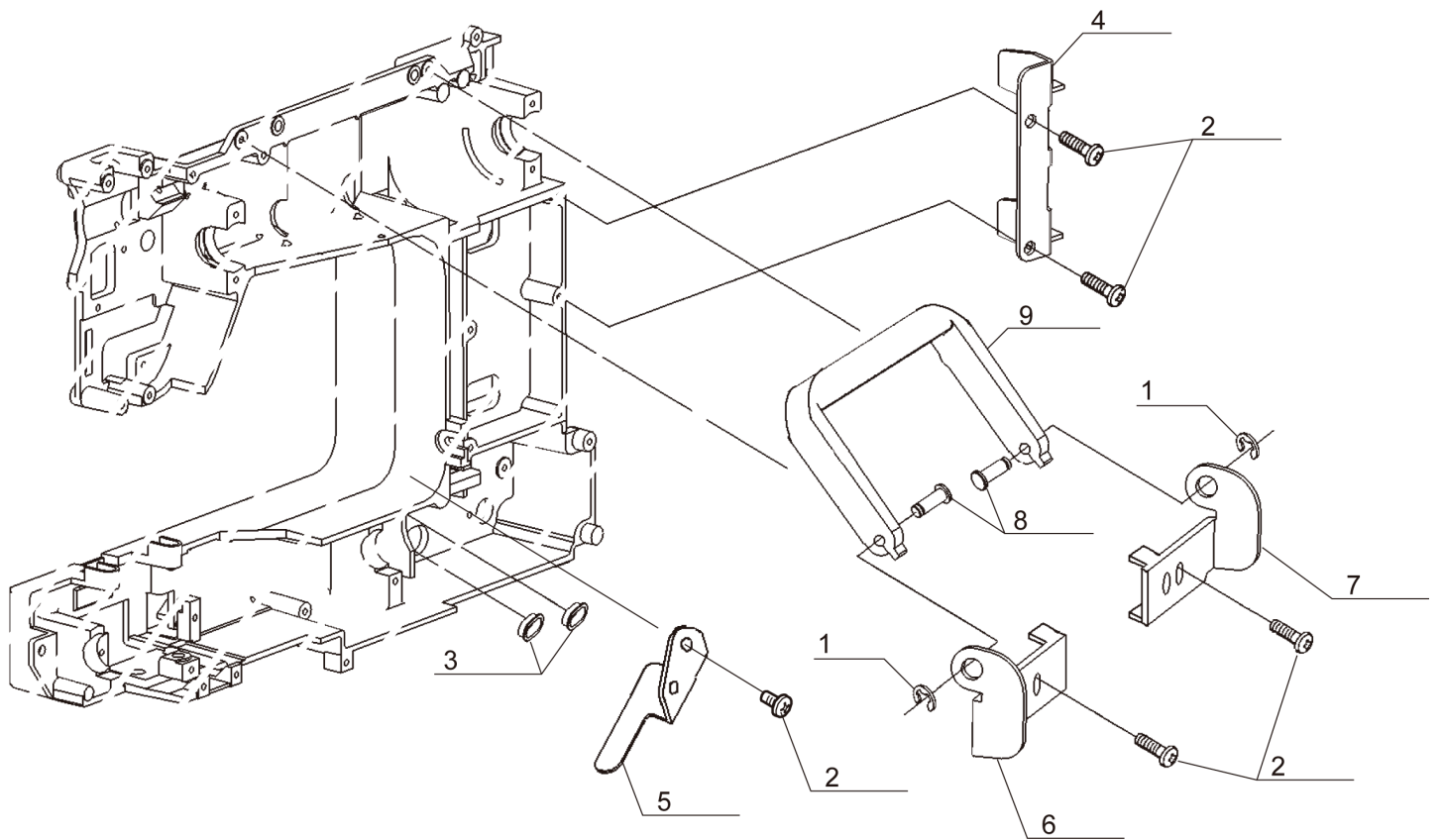
**SINGER** | Confidence™

7363, 7563

® A registered trademark of The Singer Company Ltd. or its affiliates.  
® *Una marca registrada de The Singer Company Ltd. o sus afiliados.*  
® *Une marca déposée de The Singer Company Ltd. ou ses filiales.*

Liste de pièces  
Lista de Piezas  
Parts List

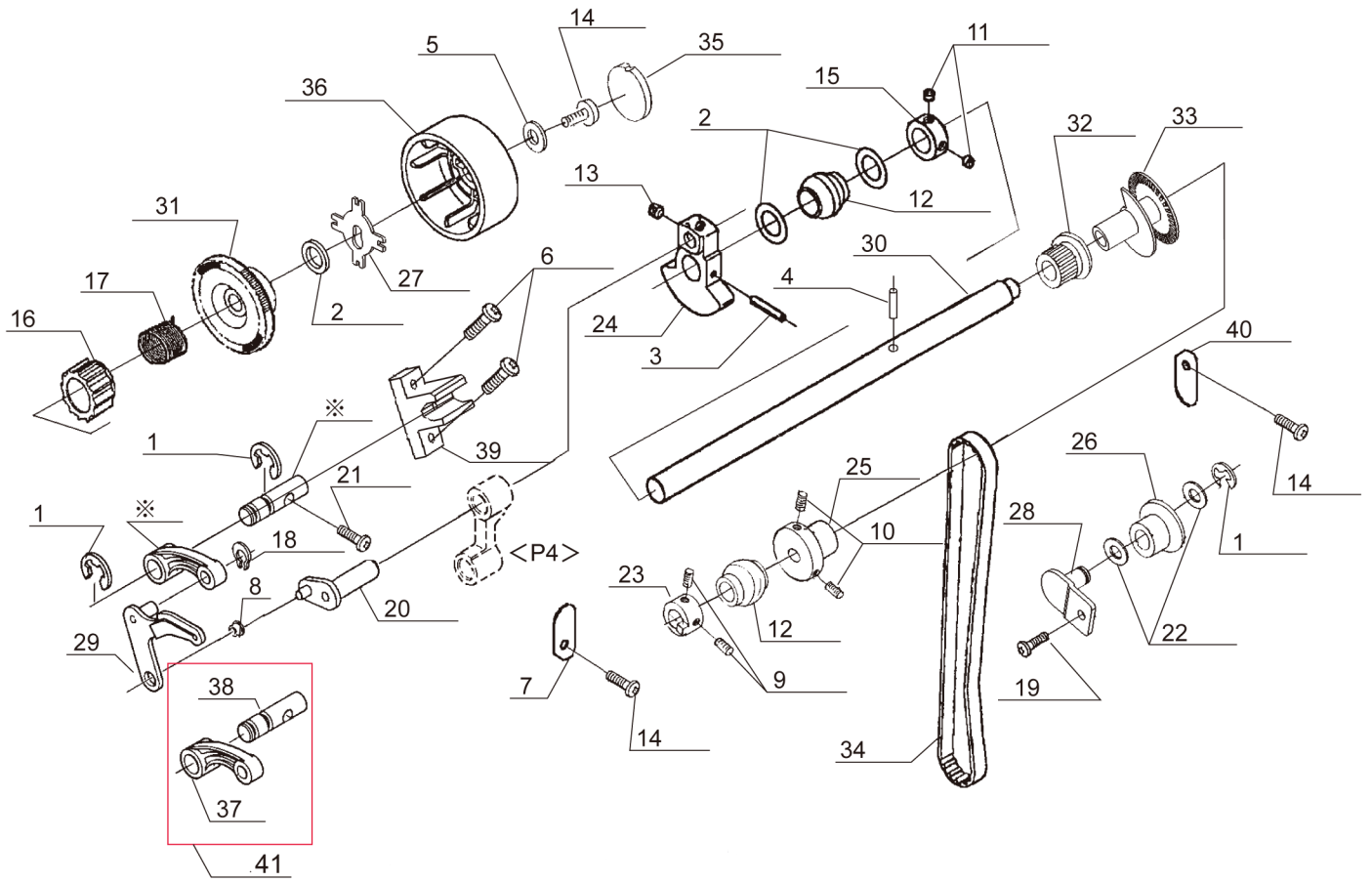
# A



Pos	Part No.	Description
1		E4 CLIP-ON-WASHER
2		M4 PHILIPS SCREW
3		CORD GUIDE
4		BRACKET
5		BRACKET
6		HANDLE BRACKET ( L )
7		HANDLE BRACKET ( R )
8		PIN
9		HANDLE
10		ACC. BOX

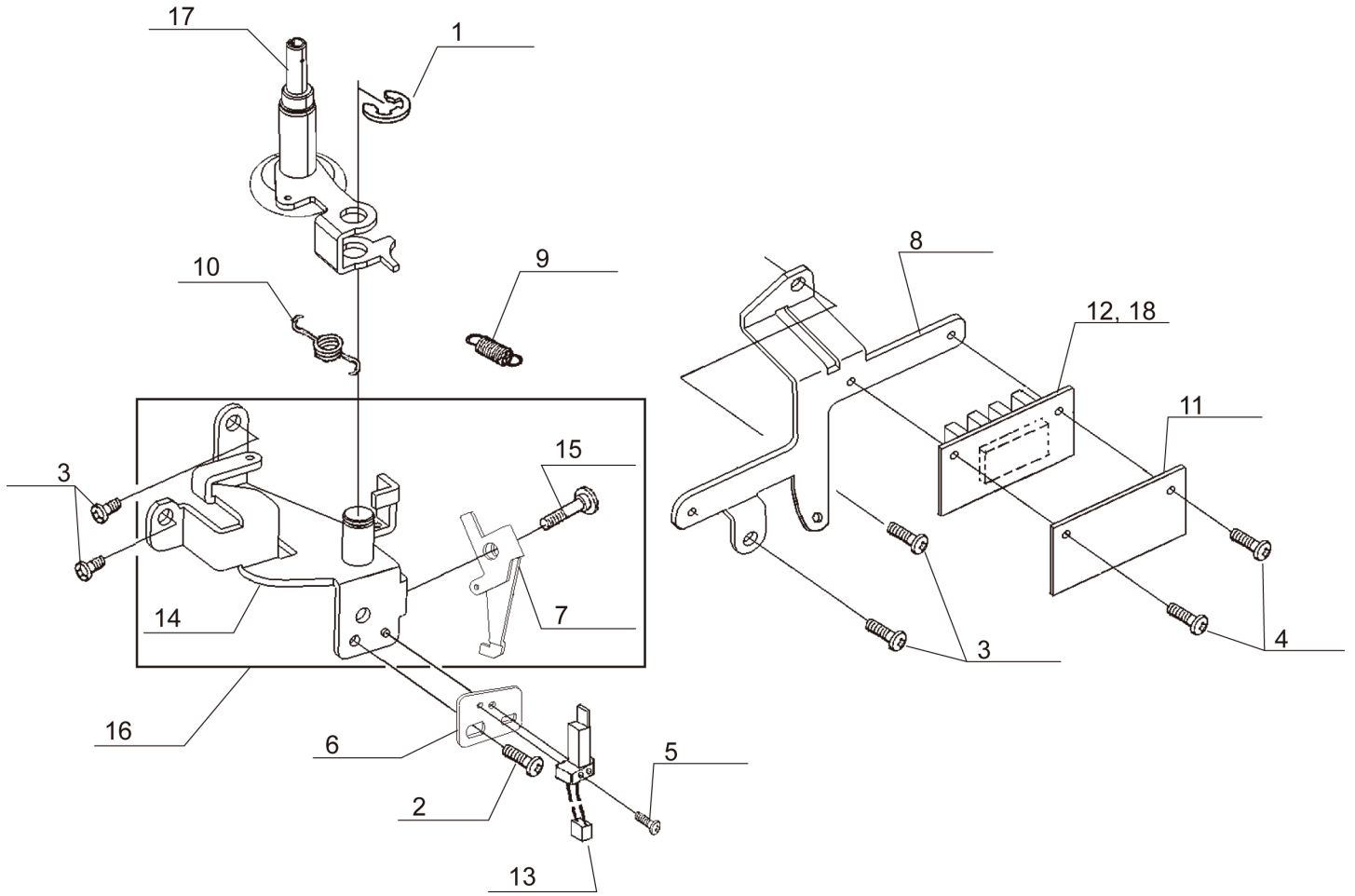
A

# B



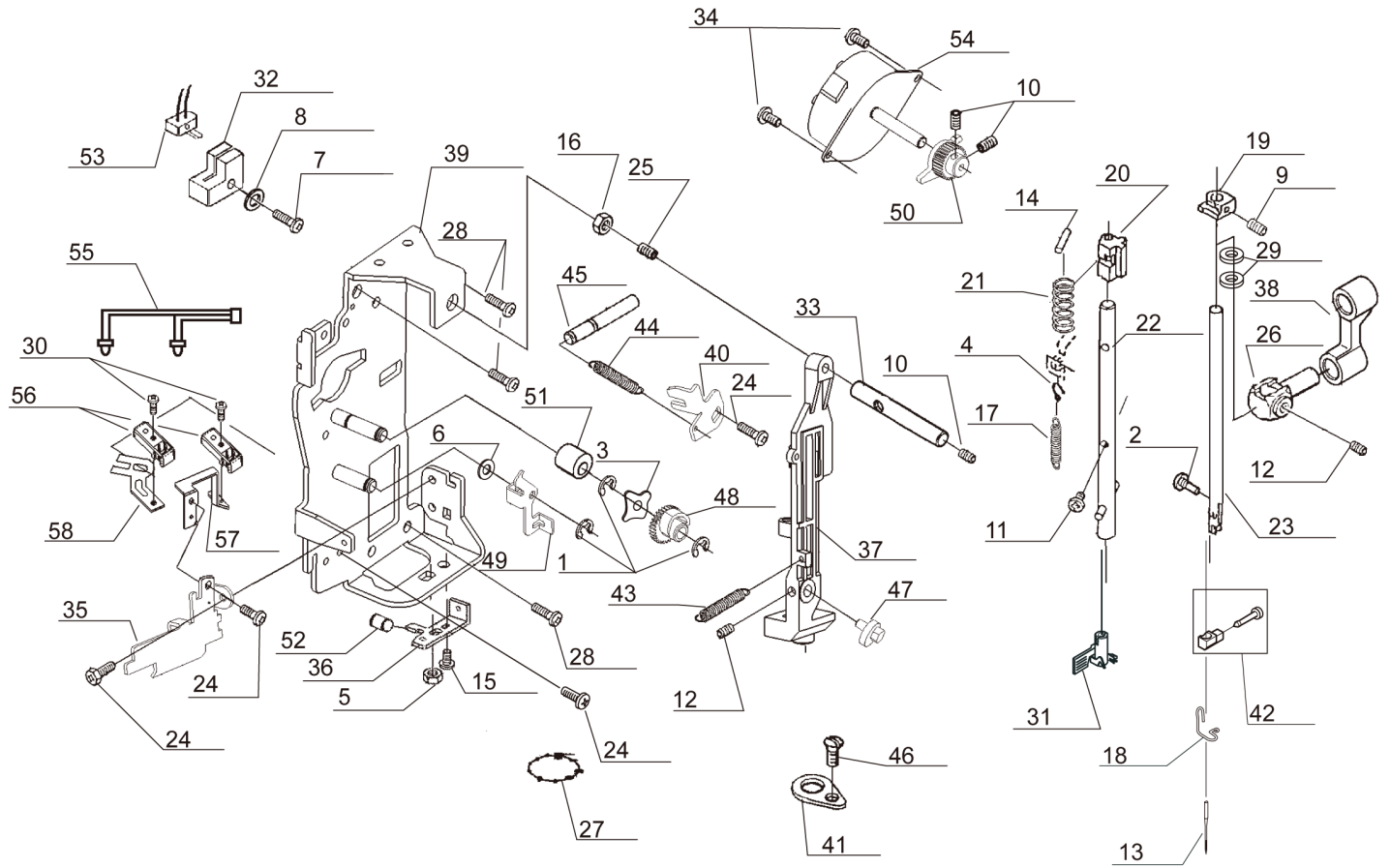
Pos	Part No.	Description
1		E6 CLIP-ON-WASHER
2		THRUST WASHER
3		SPRING PIN
4		SPRING PIN
5		WASHER
6		M4 PHILIPS SCREW
7		SECURING PLATE
8	270 066437	BUSH
9		M4 SCREW
10		M4 SCREW
11		M5 SCREW
12		BALL BUSH
13		M6 SCREW
14		M4 PHILIPS SCREW
15		COLLAR
16		CLUTCH
17		TORSION SPRING
18		CS-CLIP
19		M4 PHILIPS SCREW
20		CRANK SHAFT
21		M4 PHILIPS SCREW
22		WASHER
23		POSITIONING COLLAR
24		BALANCER
25		COLLAR
26		TENSION ROLLER
27		RETAINER
28		IDLER PULLEY BRACKET
29		TAKE-UP LEVER
30		MAIN SHAFT
31		BELT PULLEY
32		UPPER TIMING BELT GEAR
33		ENCODER
34		TIMING BELT
35		PULLEY CAP
36		PULLEY
37		TAKE-UP LEVER CRANK = USE 416556701
38		SHAFT = USE 416556701
39		TAKE-UP LEVER SHAFT BLOCK
40		SECURING PLATE
41		TAKE-UP LEVER CRANK =USE 416556701
42		SHAFT =USE 416556701
43		TAKE-UP/SHAFT SET =USE 416556701
44	416556701	TAKE-UP/SHAFT SET

# C



Pos	Part No.	Description
1		E6 CLIP-ON-WASHER
2		M3 PHILIPS SCREW
3		M4 PHILIPS SCREW
4		M3 PHILIPS SCREW
5		M2 SCREW
6		MOUNTING BRACKET
7		RETAINER
8		MOUNTING BRACKET
9		EXTENSION SPRING
10		TORSION SPRING
11		INSULATION SHEET
12	270 087527	PHOTO SENSOR CIRCUIT BOARD
13	416665501	SWITCH HARNESS
14		BOBBIN WINDER BRACKET
15		M3 SHOULDER SCREW
16		BOBBIN WINDER BRACKET UNIT
17	270 087815	BOBBIN WINDER UNIT

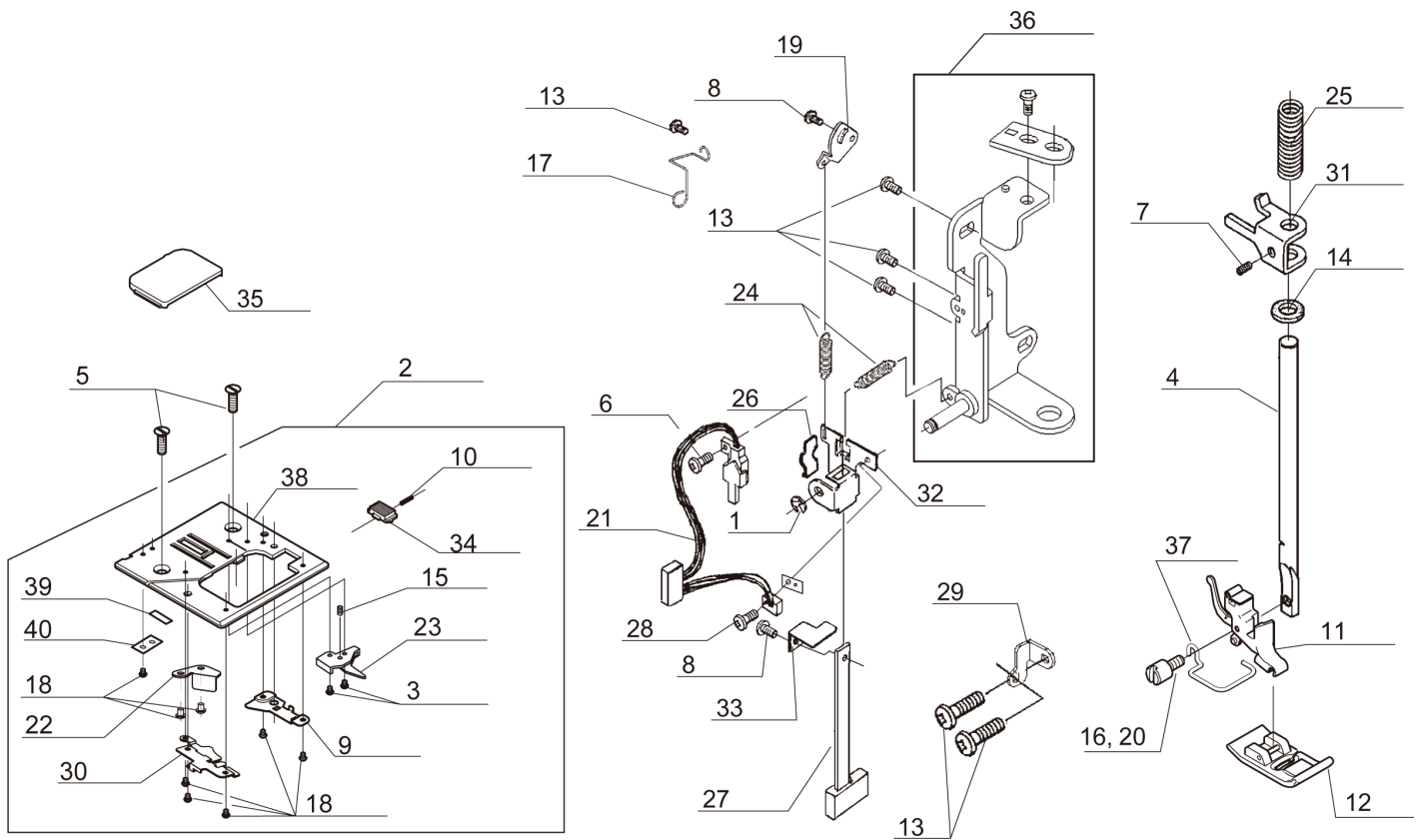
# D



# D

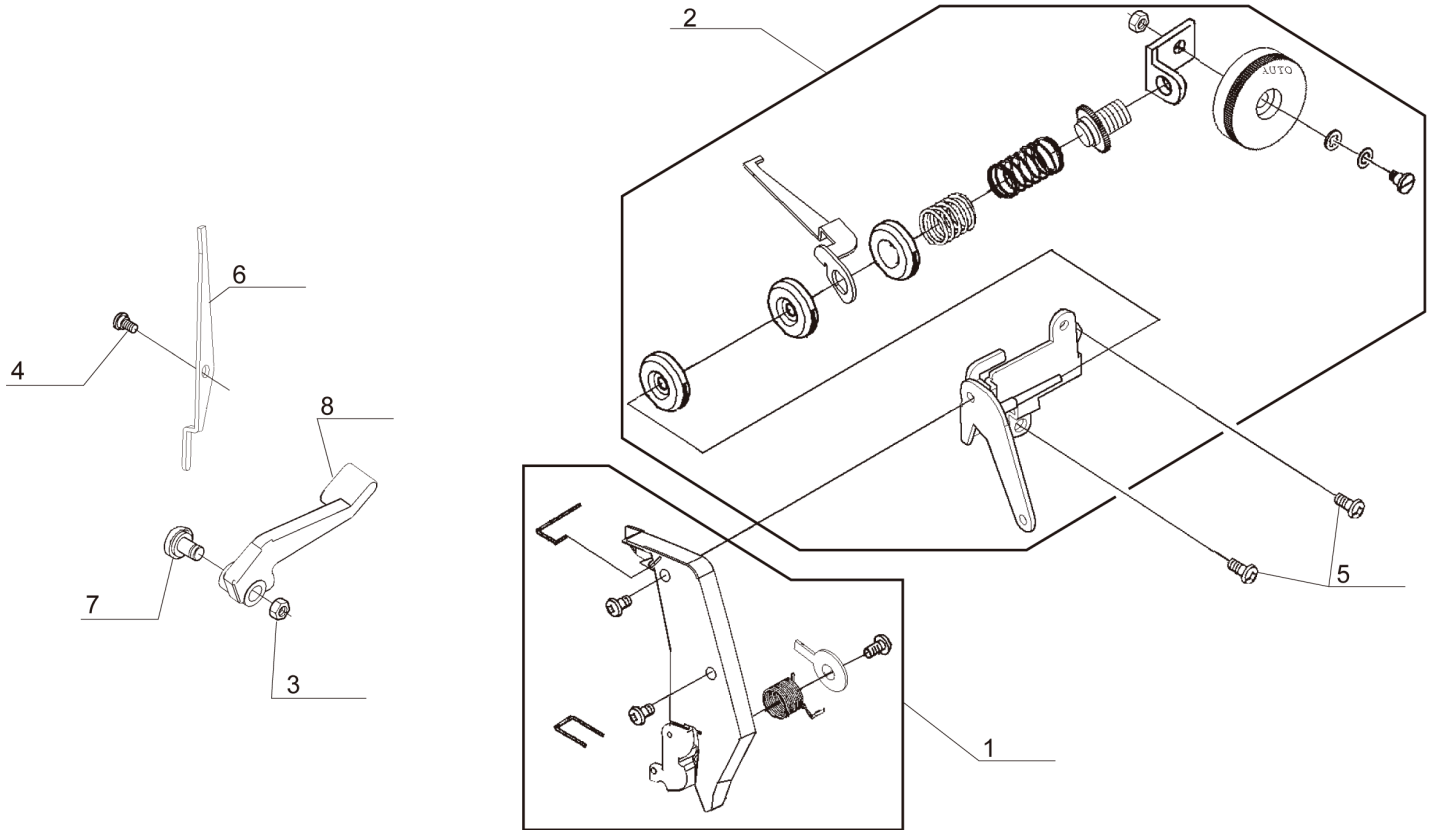
Pos	Part No.	Description
1		E4 CLIP-ON-WASHER
2		#8 SCREW
3		CRINKLE WASHER
4		HOOK FOR SPRING
5		M3 NUT
6		THRUST WASHER
7		M3 SCREW
8		WASHER
9		M4 SCREW
10		M3 SCREW
11		M2 PHILLIPS SCREW
12		M4 SCREW
13		NEEDLE
14		PIN
15		M4 CP SCREW
16		M4 TORQUE NUT
17		EXTENSION SPRING
18		THREAD GUIDE
19		STOPPER
20		GUIDE BLOCK
21		COMPRESSION SPRING
22		THREADER SHAFT SET
23		NEEDLE BAR
24		M3 PHILLIPS SCREW
25		SCREW
26		NEEDLE BAR CLAMP
27		UNITY FASTENER
28		M4 PHILIPS SCREW
29		FELT
30		M3 PHILIPS SCREW
31	270 077421	THREADER ASSEMBLY
32		SENSOR COVER
33		STRAIGHT PIN
34		BOLT
35		ADJUST PLATE
36		STOPPER
37		NEEDLE BAR SUPPORT
38		NEEDLE BAR CRANK
39		NEEDLE BAR SUPPORT BRACKET
40		SECURING PLATE
41		NEEDLE BAR SWING BRACKET
42	270 087154	NEEDLE CLAMP SET
43		SPRING
44		SPRING
45		STRAIGHT PIN
46		M3 SCREW
47		ECCENTRIC CAM
48		ZIGZAG CAM WITH GEAR
49		BELL CLANK FOR ZIGZAG
50		PINION GEAR
51		SPACER
52		SPACER
53	270 087517	SWITCH HARNESS FOR ZIGZAG
54		STEPPING MOTOR
55		LED LIGHT
56		LED LIGHT COVER
57		LED LIGHT COVER BRACKET
58		LED LIGHT COVER BRACKET

# E



Pos	Part No.	Description
1		E3 CLIP-ON-WASHER
2	270 051099	NEEDLE PLATE SET Version 1
3		M2 PHILIPS SCREW
4		PRESSER BAR
5		M4 SCREW
6		M2 PHILIPS SCREW
7		M4 SCREW
8		M3 PHILIPS SCREW
9		COVER GUIDE (R)
10		COMPRESSION LEVER
11	270 085016	PRESSER FOOT HOLDER
12	270 076251	ZIGZAG PRESSER FOOT
13		M4 PHILIPS SCREW
14		FELT
15		SCREW
16		#7 SCREW FOR SHANK
17		CORD GUIDE
18		M2 PHILIPS SCREW
19		CONTROL PLATE
20		SCREW FOR SHANK (ITALY ONLY)
21		BH SWITCH HARNESS
22		THREAD CONTROL PLATE
23		BOBBIN CASE HOLD PLATE
24		EXTENSION SPRING
25		COMPRESSION SPRING
26		LEAF SPRING
27		BH PLATE (A)
28		M2 SCREW
29		BRACKET
30		COVER GUIDE (L)
31		PRESSURE BAR GUIDE
32		BH PLATE (B)
33		BH PLATE (C )
34		RELEASE LEVER
35	270 087340	NEEDLE COVER PLATE
36		PRESSURE BAR BRACKET SET
37		FINGER GUARD (ITALY ONLY)
38		NEEDLE PLATE
39		BLADE
40		BLADE PALTE

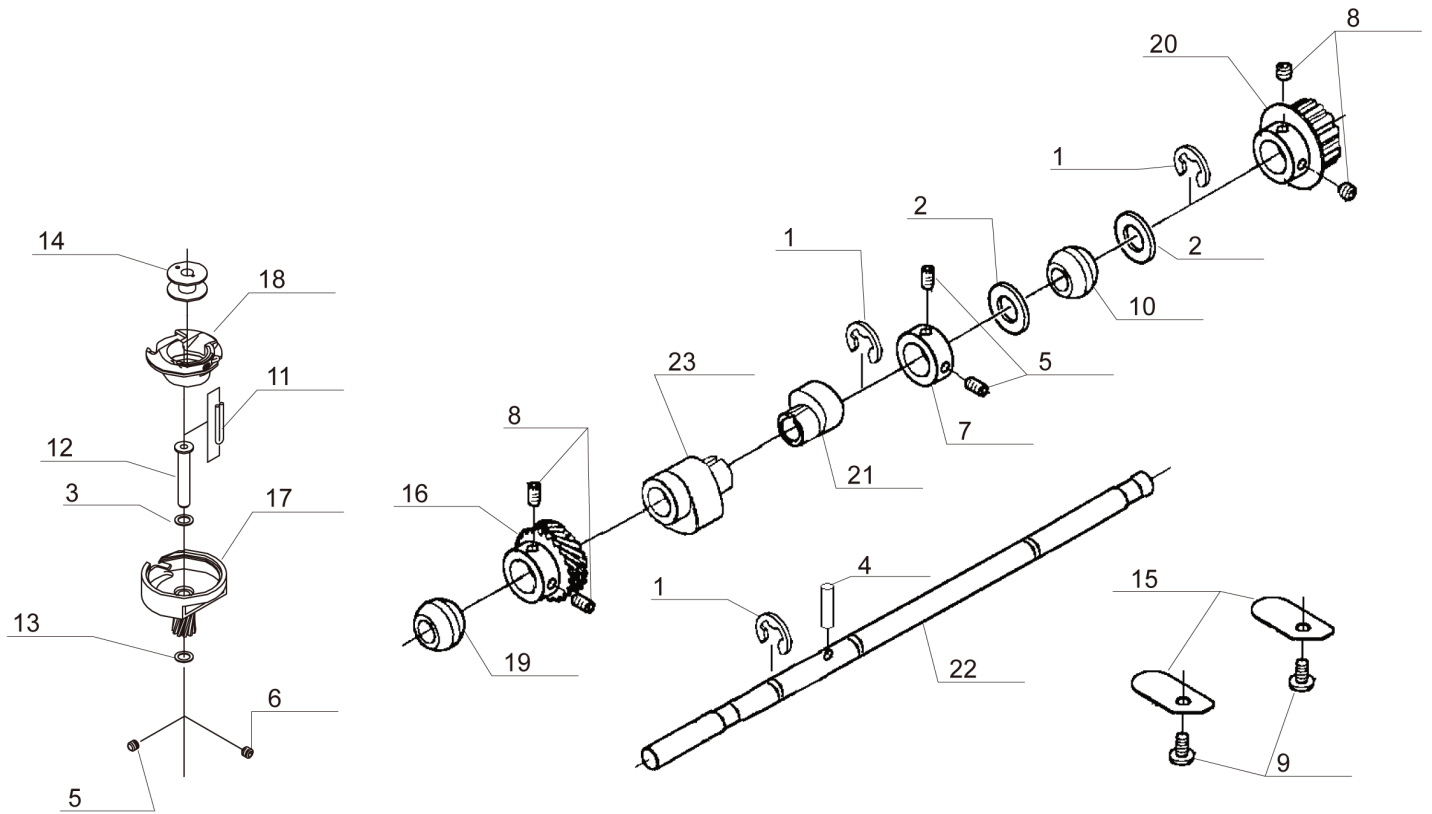
# F



Pos	Part No.	Description
1		TENSION ASSY
2		THREAD GUIDE PLATE ASSY
3		M4 NUT
4		M4 STUD SCREW
5		M4 PHILLIPS SCREW
6		TENSION RELEASE LEVER
7		M4 SCREW
8		PRESSURE BAR LIFTER

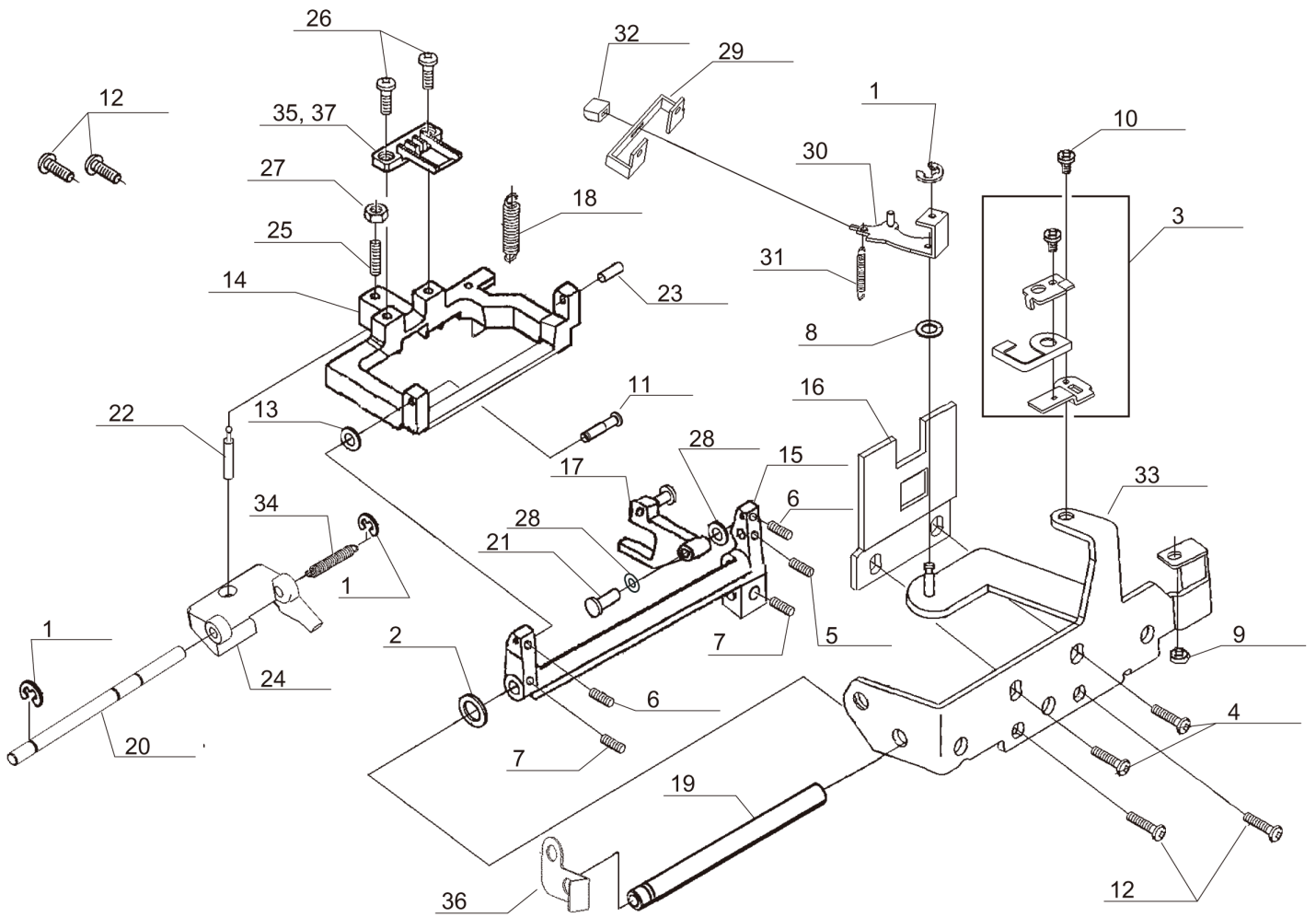
F

# G



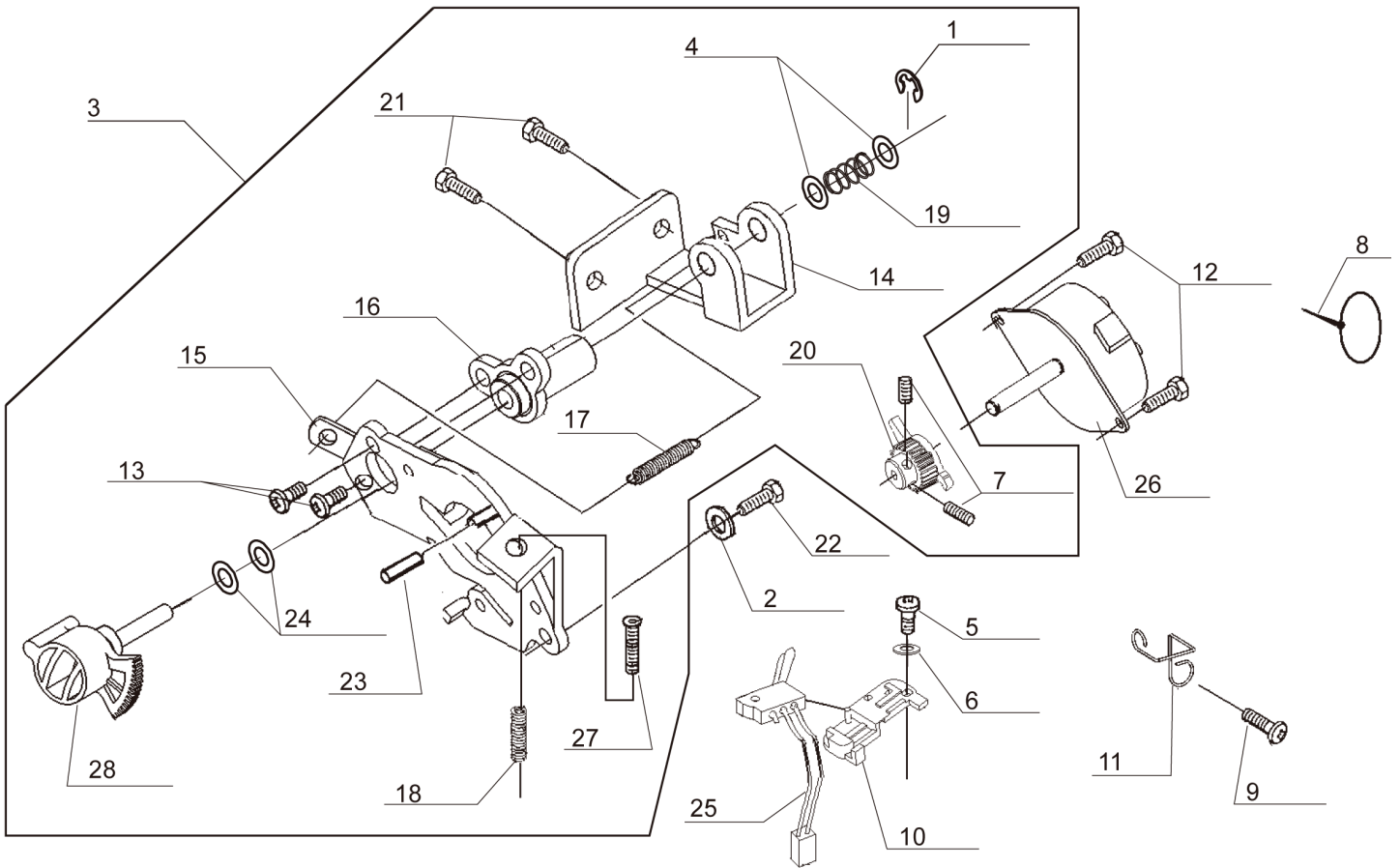
Pos	Part No.	Description
1		E6 CLIP-ON-WASHER
2		THRUST WASHER
3		THRUST WASHER
4		SPRING PIN
5		M4 SCREW
6		M4 SCREW
7		COLLAR
8		M5 SCREW
9		M4 PHILIPS SCREW
10		BALL METAL
11		OILING CORD
12		SHUTTLE RACE SHAFT
13		WASHER
14	270 085128	BOBBIN
15		SECURING PLATE
16		BEVEL GEAR
17	270 087051	SHUTTLE RACE Version 1
18	270 086132	BOBBIN CASE Version 1
19		BALL METAL
20		TIMING BELT GEAR (LOWER)
21		FEED CAM
22		LOWER STRAIGHT SHAFT
23		LIFTING CAM

# H



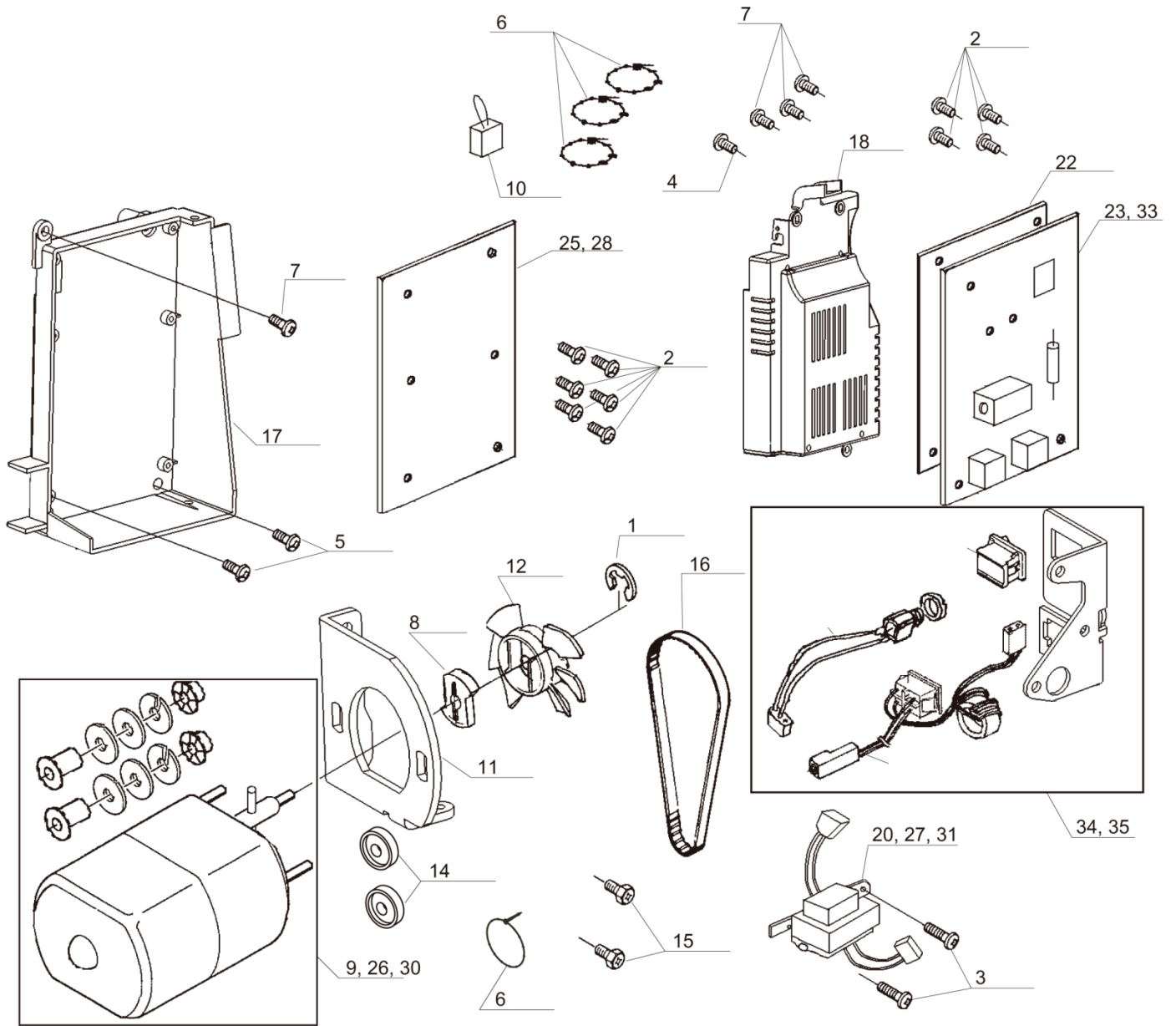
Pos	Part No.	Description
1		E3 CLIP-ON-WASHER
2		WASHER
3		RETAINER SET
4		M4 PHILIPS SCREW
5		M4 SCREW
6		M3 SCREW
7		M4 SCREW
8		WASHER
9		M4 TORQUE NUT
10		M3 PHILIPS SCREW
11		SHAFT
12		M4 PHILIPS SCREW
13		WASHER
14		FEED DOG BASE
15		FEED DOG BASE SUPPORT
16		SUPPORT PLATE
17		FORKED CRANK
18		TORSION SPRING
19		SHAFT
20		SHAFT
21		PIN
22		BALL HEADED □ PIN
23		PIN
24		VERTICAL FEED BLOCK
25		M6 STUD SCREW
26		M3 CP SCREW
27		M6 NUT
28		WASHER
29		DROP GUIDE
30		DROP LEVER
31		TORSION SPRING
32		DROP KNOB
33		SECURING BRACKET
34		TORSION SPRING
35	270 087105	FEED DOG V.1
36		SECURING PLATE

H



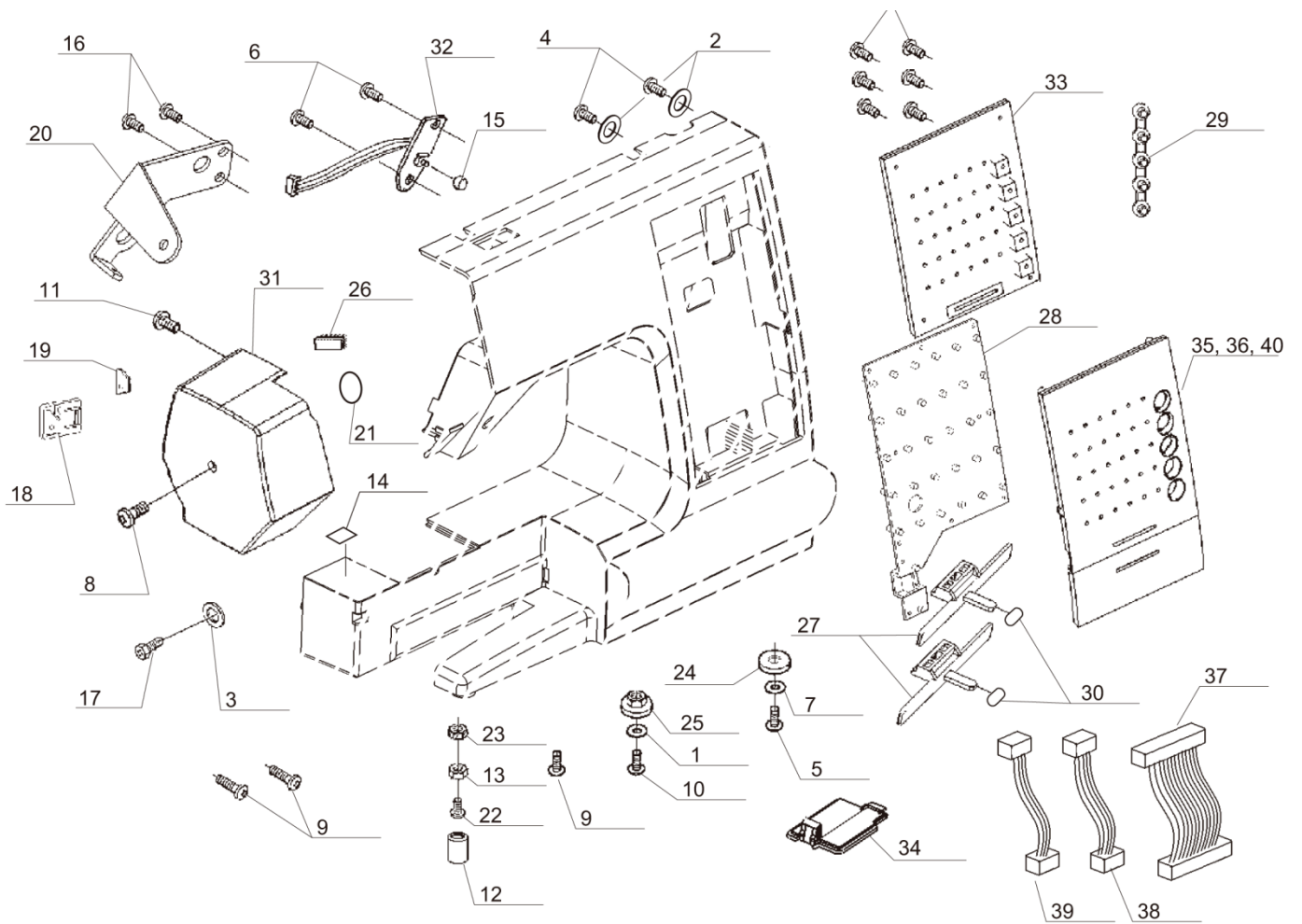
Pos	Part No.	Description
1		E4 CLIP-ON-WASHER
2		WASHER
3		FEED REGULATOR UNIT
4		WASHER
5		M3 SCREW
6		WASHER
7		M3 SCREW
8		UNITY FASTENER
9		M4 PHILIPS SCREW
10		SENSOR COVER
11		CORD GUIDE
12		M3 PHILLIPS SCREW
13		M3 PHILLIPS SCREW
14		BRACKET
15		STEPPING MOTOR BRACKET
16		FEED REGULATOR SHAFT METAL BUSH
17		EXTENSION SPRING
18		COMPRESSION SPRING
19		COMPRESSION SPRING
20		PINION GEAR
21		CP BOLT
22		M3 CP SCREW
23		PIN
24		WASHER
25	270 087516	SWITCH HARNESS
26		STEPPING MOTOR
27		M4 BOLT
28		FEED REGULATOR

# J



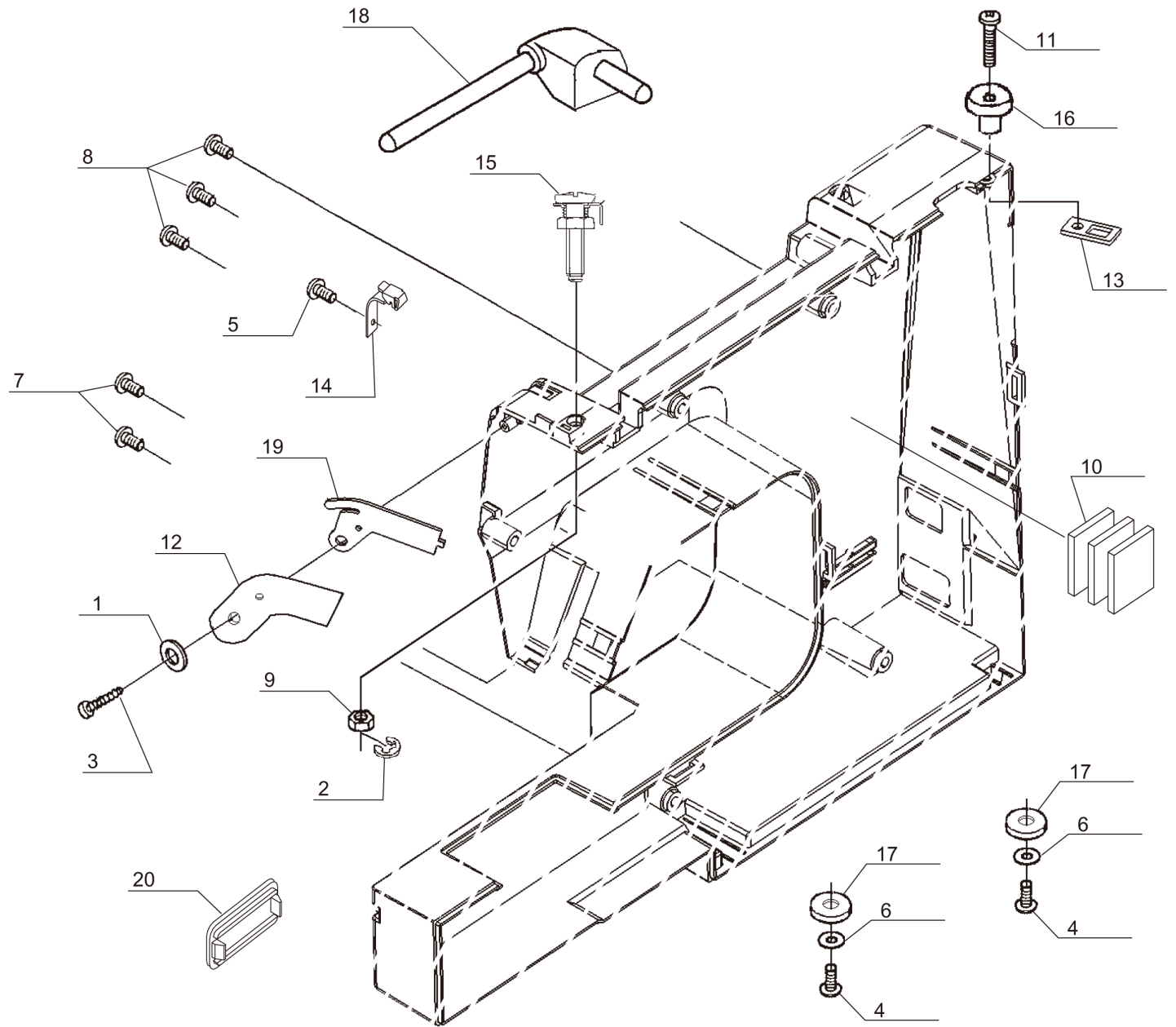
Pos	Part No.	Description
1		E3 CLIP-ON-WASHER
2		M3 SCREW
3		M4 PHILIPS SCREW
4		M4 PHILIPS SCREW
5		M4 PHILIPS SCREW
6		UNITY FASTENER
7		M4 PHILLIPS SCREW
8		GEAR CLUTCH
9	416474101	MAIN MOTOR (230V)
10		JUMPER HARNESS
11		MAIN MOTOR BRACKET
12		MOTOR FAN
13		SWITCH BRACKET (230V, 240V)
14		BUSH (230V, 240V)
15		CP BOLT
16	270 087263	DRIVING BELT
17		CPU CIRCUIT BOARD BOX
18		AC CIRCUIT BOARD BOX
19		PIN-JACK HARNESS
20		TRANSFORMER (230V)
21		SWITCH
22		INSULATION SHEET
23	270 087553	CIRCUIT BOARD (230V, 240V)
24		INLET HARNESS (230V, 240V)
25	270 087585	CPU CIRCUIT BOARD
26		MAIN MOTOR (240V)
27		TRANSFORMER (240V)
29		SWITCH BRACKET (120V)
30	68004629	MAIN MOTOR (120V)
31		TRANSFORMER (120V)
32		INLET HARNESS (120V)
33	270 087530	CIRCUIT BOARD (120V)
34	68002984	POWER SWITCH CORD ASSY (120V)
35	68003043	POWER SWITCH CORD ASSY (230V)

# K



Pos	Part No.	Description
1		WASHER
2		WASHER
3		WASHER
4		M3 SCREW
5		M4 SCREW
6		TAPPING SCREW
7		WASHER
8		M4 PHILLIPS SCREW
9		M4 PHILLIPS SCREW
10		TAPPING SCREW
11		M4 PHILLIPS SCREW
12		RUBBER CUSHION
13		M4 TORQUE NUT
14		SEAL
15		BUTTON
16		M4 PHILLIPS SCREW
17		M3 PHILLIPS SCREW
18		BLADE FIXTURE
19		BLADE
20		FACE COVER BRACKET
21		SEAL
22		STUD SCREW
23		NUT
24		RUBBER FOOT
25		RUBBER FOOT
26		BRUSH
27	270 087293	SLIDE LEVER
28		LED PANEL
29		BUTTON
30	270 087404	KNOB
31		FACE COVER
32		SWITCH HARNESS
33		SWITCH CIRCUIT BOARD
34		COVER
35		CONTROL PANEL (7463)
36		CONTROL PANEL (Ex160)
37		13P CORD HARNESS
38		4P CORD HARNESS
39		5P CORD HARNESS
40		CONTROL PANEL (7363)

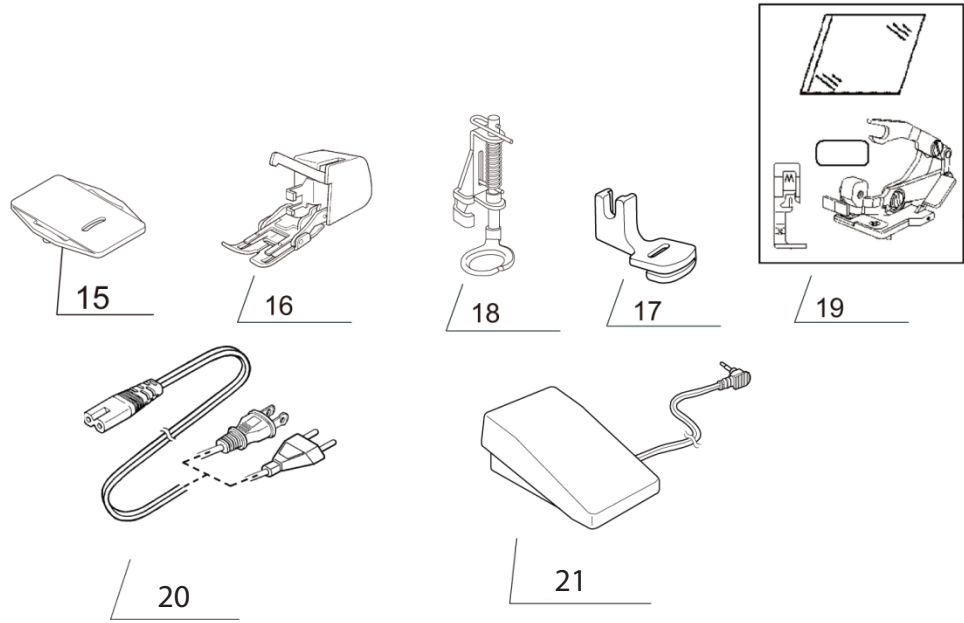
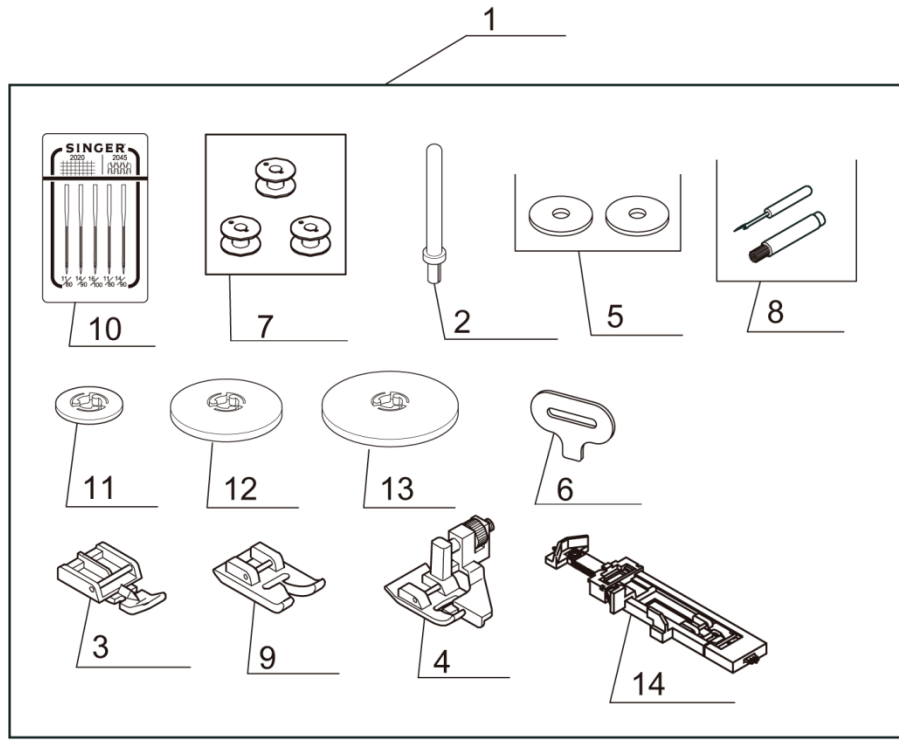
L



Pos	Part No.	Description
1		WASHER
2		E2.5 CLIP-ON-WASHER
3		M3 SCREW
4		M4 SCREW
5		TAPPING SCREW
6		WASHER
7		M4 PHILLIPS SCREW
8		TAPPING SCREW
9		M4 TORQUE NUT
10		SPACER
11		M4 PHILLIPS SCREW
12		SPRING PLATE
13		RETAINER
14		RETAINER
15		M4 SPECIAL SCREW UNIT
16		BOBBIN WINDER CAM
17		RUBBER FOOT
18	416509901	SPOOL PIN UNIT
19		TENSION PLATE
20		COVER (7463)

L

# M



Pos	Part No.	Description
1	270 051053	ACC. SET
2	68004083	SPOOL PIN
3	416437001	ZIPPER FOOT
4	416437101	BLIND STITCH FOOT
5	68004084	SPOOL PIN DISC
6	68004086	LARGE SCREW DRIVER
7	270 085128	BOBBIN
8	416436401	BUTTONHOLE OPENER / BRUSH
9		SATIN FOOT
10	N353364000EXP	NEEDLE SET
11	270 087287	SPOOL PIN CAP (MINI)
12	270 087289	SPOOL PIN CAP (SMALL)
13	270 087290	SPOOL PIN CAP (LARGE)
14	416465601	BUTTONHOLE FOOT
15	270 087294	DARNING PLATE
20	416464901	POWER CORD (120V)
20	412157801	POWER CORD (230V)
21	416436101	FOOT CONTROL (120V) (PIN-JACK TYPE)