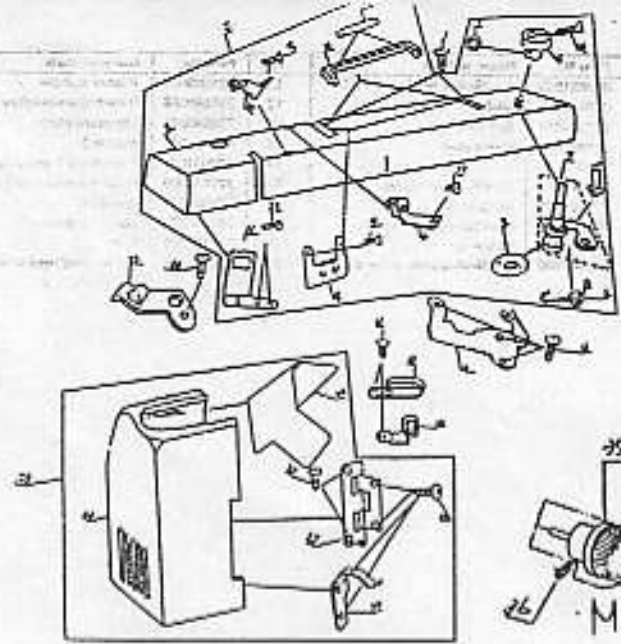


BL1050

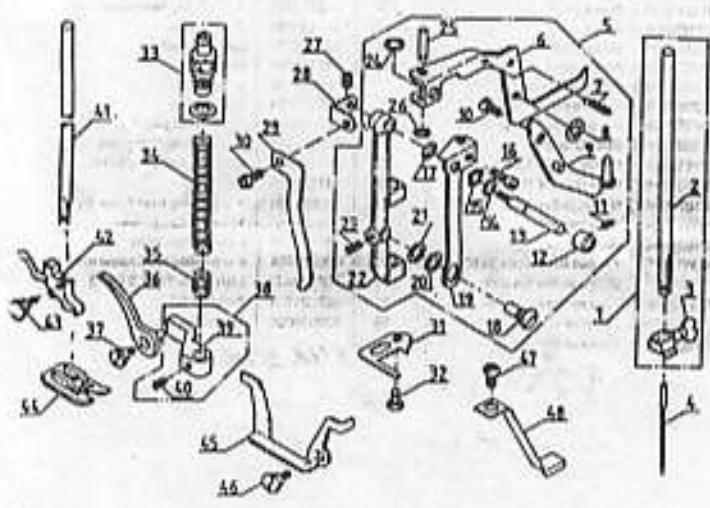
A



Key	Part No.	Name of Parts	Key	Part No.	Name of Parts
1	00001902	+ - binding head screw 4 x 10	18	312005008	Top cover thread guide bracket
2	348999999	Top cover (unit)	19	000009000	+ flat head T screw 3 x 8 - 2
3	313000003	Top cover	20	312004005	Top cover thread guide
4	000001708	+ - binding head screw 4 x 10	21	312012009	Top plate supporter driving motion stopper
5	281015005	Bobbin winder stopper	22	321000008	+ flat head T screw 3.5 x 10
6	000071106	Nut 4-3-7	23	312010003	Set plate for top plate
7	281020004	Bobbin winder (unit)	24	000001500	+ - pan head screw 4 x 10
8	281020006	Bobbin winder spring	25	311441999	Face plate (unit)
9	274101004	Rubber ring	26	312001000	Face plate
10	281020005	Hinge screw	27	231501008	Face plate hinge (unit)
11	312009000	Set plate for bobbin winder	28	000002003	+ - pan head screw 4 x 8
12	000001500	+ - pan head screw 4 x 10	29	311000008	+ flat head T screw 3.8 x 10 - 2
13	321100005	Handle shaft	30	312011004	Face plate set plate
14	312002009	Handle	31	000001005	+ flat head T screw 3.5 x 8
15	000008000	+ flat head T screw 3 x 8 - 2	32	312000001	Face plate thread guide (upper)
16	313003007	Handle shaft set plate	33	313007004	Face plate thread guide
17	000004008	+ - binding head screw 3 x 8	34	312013012	Reflection advance plate
18	312005008	Top cover thread guide bracket	35	321620108	Thread tension regulator (unit)
			36	000076008	Hexagon socket screw 5x5

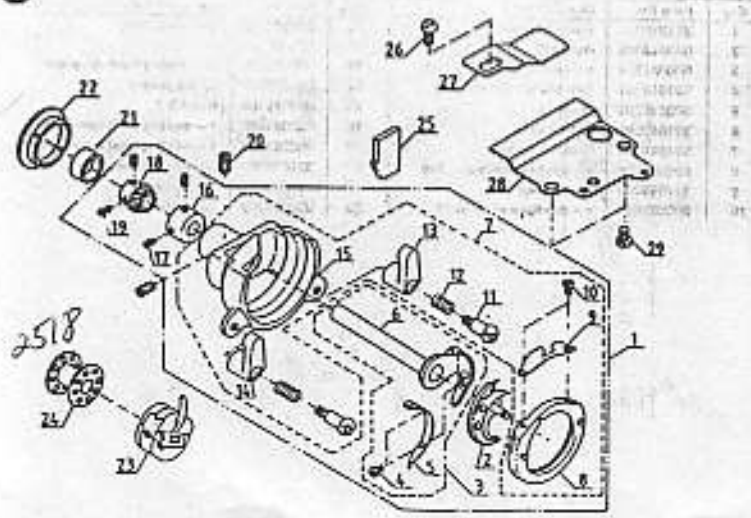
SL1325

B

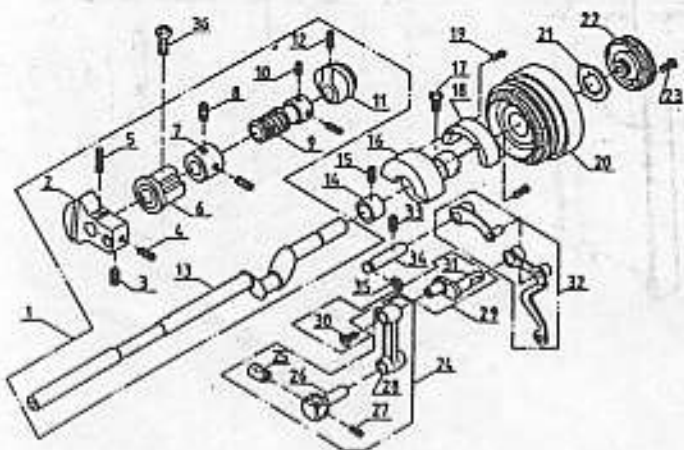


Key	Part No.	Name of Parts	Key	Part No.	Name of Parts
1	281004007	Needle bar (unit)	25	281030005	Zigzag driving rod shaft
2	281043002	Needle bar	26	000001104	Snap ring E-3 (D)
3	281050003	Needle clamp	27	000076008	Hexagon socket screw 5x5
4	000201208	Needle HAJ-14	28	321028008	Needle position regulating plate
5	321004004	Needle bar supporter (unit)	29	281042001	Needle bar supporter spring
6	281037003	Zigzag driving rod	30	000001407	+ - binding head screw 4x8
7	330003004	Zigzag driving rod spring	31	281050008	Needle bar supporter driving motion stopper
8	000003002	Snap ring CS-5	32	000074005	Hexagon head bolt 4x8
9	281038004	Zigzag regulating lever	33	102517107	Pressure regulator (unit)
10	000001005	+ - binding head screw 3.5x5	34	281047007	Pressure bar spring
11	000003003	Set screw	35	281048008	Pressure regulator spring
12	321027007	Ring	36	281052004	Pressure bar slider
13	321034004	Needle bar supporter pin	37	281053005	Hinge screw
14	000012108	Washer 6	38	281050007	Pressure bar guide bracket (unit)
15	321028008	Corrugated washer	39	281061003	Pressure bar guide bracket
16	000078402	Hexagon socket screw 4x8	40	101142001	Set screw
17	000001218	Snap ring E-4 (D)	41	321006007	Pressure bar
18	281034000	Excentric pin	42	281060008	Pressure foot bracket
19	321025005	Needle bar supporter bracket	43	674053002	Pressure foot thumb screw
20	281036001	Plain washer	44	281070008	Pressure foot
21	281036002	Plain washer	45	281054005	Thread tension release lever
22	281031007	Needle bar supporter	46	281055007	Hinge screw
23	000076008	Hexagon socket screw 5x5	47	000001304	+ - binding head screw 4x8
24	281040000	Plain washer	48	281145005	Lamp cord presser

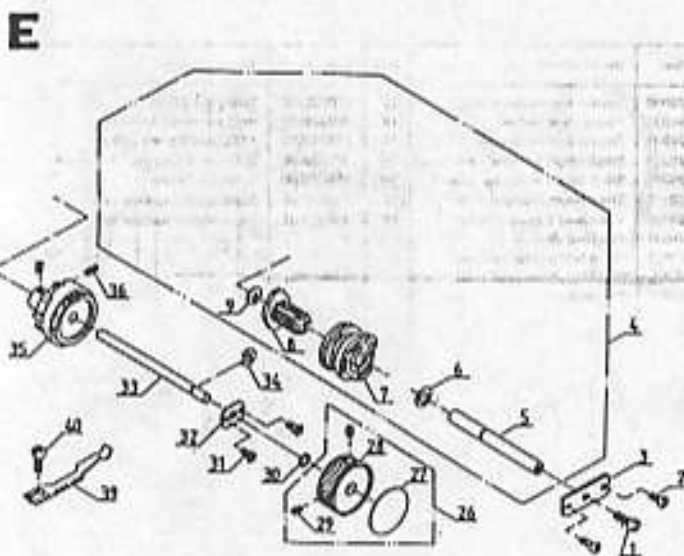
C



Key	Part No.	Name of Parts	Key	Part No.	Name of Parts
1	321000008	Hook race (unit)	16	281070007	Hook driver shaft ring
2	101183004	Hook	17	000076008	Hexagon socket screw
3	321005004	Hook driver body (unit)	18	281080008	Hook driver shaft base gear
4	101183003	Flat head set screw	19	000076005	Hexagon socket screw
5	281078006	Hook driver spring	20	000076009	Hexagon socket screw 5x5
6	321048006	Hook driver body	21	321050000	Hook driver shaft bushing cap
7	321054003	Hook race body (unit)	22	321094014	Hook driver shaft bushing cap
8	281158001	Hook race ring	23	281518001	Bobbin case (unit)
9	281159002	Hook race ring cap spring	24	101193007	Bobbin
10	206162003	Set screw	25	321063002	Gear box side cover
11	674070005	Hinge screw	26	000001304	+ - binding head screw 4x5
12	674069001	Hook race ring clamp spring	27	321051000	Gear box upper cover
13	321046002	Hook race ring clamp (A)	28	321062001	Gear box bottom cover
14	321047003	Hook race ring clamp (B)	29	000003306	+ - pan head screw 5x5
15	321045001	Hook race body			

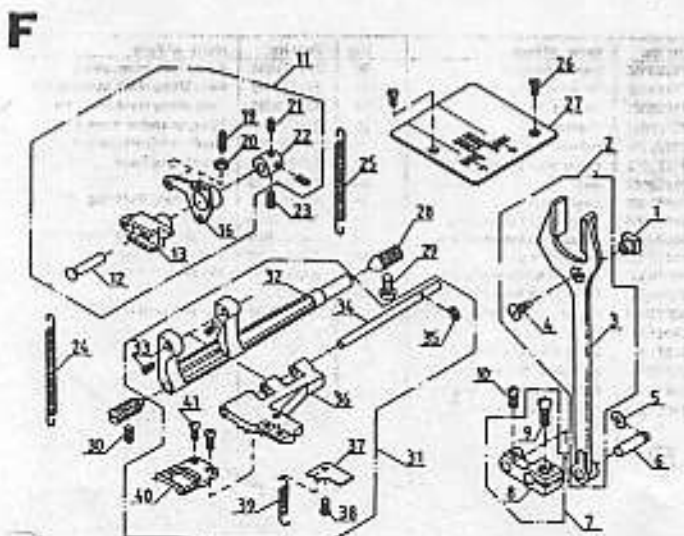


Key	Part No.	Name of Parts	Key	Part No.	Name of Parts
1	321605005	Upper shaft (unit)	19	000001000	+ - pin head screw 3x12
2	321031004	Thread take-up crank	20	321030011	Head wheel 321033
3	101040008	Set screw	21	101100000	Stop motion washer
4	674067006	Set screw	22	321000013	Stop motion large screw
5	000006408	Spring pin 3x20	23	101105002	Set screw
6	281054000	Upper shaft front bushing	24	281504000	Needle bar connecting stud (unit)
7	321032005	Upper shaft ring	25	281047000	Needle bar connecting stud pin
8	000079009	Hexagon socket screw 5x5	26	281045004	Needle bar connecting stud
9	281065000	Upper shaft worm	27	000079103	Hexagon socket screw 4x4
10	101019008	Set screw	28	281046006	Needle bar connecting rod
11	101214005	Feed cam	29	321508007	Needle bar crank pin (unit)
12	101085005	Set screw	30	574062004	Cap screw
13	321030003	Upper shaft	31	321037000	Need bar crank pin
14	321003007	Upper shaft rear bushing	32	321502001	Thread take-up lever (unit)
15	000079009	Hexagon socket screw 5x5	33	000079009	Hexagon socket screw 5x5
16	321034007	Hand wheel bushing	34	374055007	Thread take-up lever pin
17	321036008	Flat head set screw	35	000001414	Snap ring E-8 (D)
18	321026009	Balance weight			



Key	Part No.	Name of Parts	Key	Part No.	Name of Parts
1	000081304	+ - binding head screw 4x8	36	330000008	Pattern selector knob (unit)
2	000081108	+ - binding head screw 3.5x8	37	330000000	Pattern selector indication plate
3	321063001	Cam shaft holder	38	281122002	Pattern selector knob
4	330008003	Cam shaft (unit)	39	000079103	Hexagon socket screw 4x4
5	321083000	Cam shaft	40	281128002	Pin washer
6	000003106	Snap ring C-8	31	321083008	Flat head set screw
7	320016000	Pattern saw	32	281127001	Pattern selector index plate
8	281140000	Stretch stitch cam	33	321081008	Pattern selector knob shaft
9	000001403	Snap ring E-6 (D)	34	000001207	Snap ring E-4 (D)
			35	320017001	Pattern selector cam
			36	000079103	Hexagon socket screw 4x4
			39	281128003	Control spring
			40	000081304	+ - binding head screw 4x8

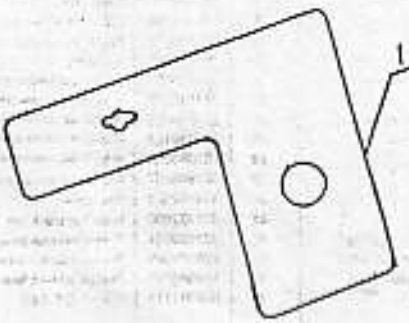
Darning Plate or Feed Cover Plate  
B2500-6-28 or 321029009 L FC



Key	Part No.	Name of Parts	Key	Part No.	Name of Parts
1	101221006	Forked rod slide block	32	321068007	Feed regulator bushing
2	321607007	Forked rod (unit)	23	000079009	Hexagon socket screw 5x5
3	321055004	Forked rod	24	281061006	Feed regulator spring
4	101220004	Forked rod slide block screw stud	25	281067000	Feed regulator bracket spring
5	000001414	Snap ring E-8 (D)	26	101012001	Flat head set screw
6	281112003	Forked rod connecting pin	27	321029000	Needle plate
7	321509008	Forked rod shaft crank (unit)	28	101213004	Center screw
8	321066008	Feed rock shaft crank	29	000003409	+ - pin head screw 3x10
9	102151004	Set screw	30	000079009	Hexagon socket screw 5x5
10	102205006	Set screw	31	321609008	Feed rock shaft (unit)
11	321608006	Feed regulator (unit)	32	321061003	Feed rock shaft
12	281068007	Feed regulator set pin	33	000079206	Hexagon socket screw 4x6
13	321058005	Feed regulator	34	321063005	Feed dog base shaft
18	321057006	Feed regulator bracket	35	000001218	Snap ring E-4 (D)
19	000077008	Set screw 4x12	36	321062004	Feed dog base
20	000071105	Nut 4-3-7	37	321064006	Feed dog base side plate
21	000079103	Hexagon socket screw 4x4	38	102001109	Set screw
			39	281111002	Feed dog base spring
			40	321065007	Feed dog
			41	101247007	Set screw

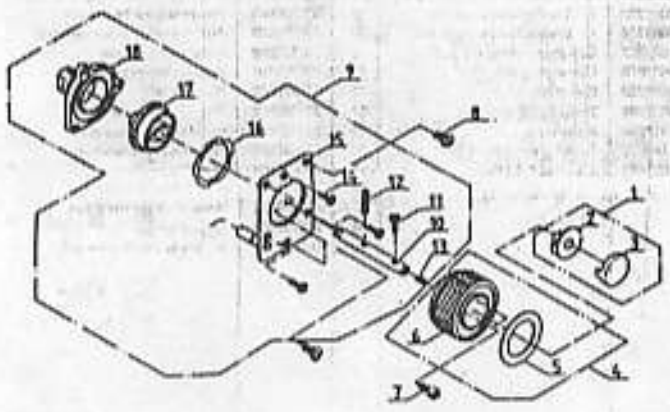
G

BL1050



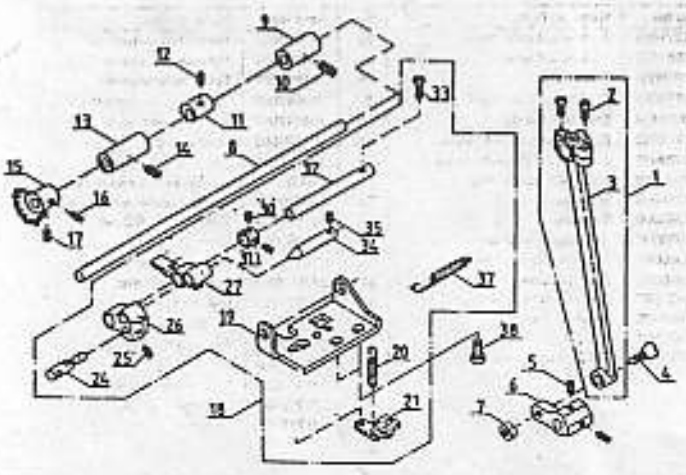
Key	Part No.	Name of Parts	Key	Part No.	Name of Parts
1	32002000	Control panel			

H



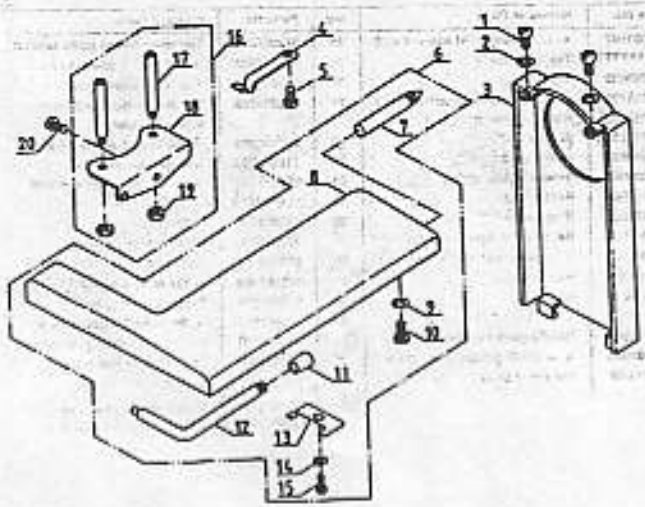
Key	Part No.	Name of Parts	Key	Part No.	Name of Parts
1	321823008	Reverse feed button (unit)	12	000063006	Spring pin 2.6x14
2	381104002	Reverse feed button	13	000078103	Hexagon socket screw 4x8 + flat head Y screw 3x8.2V
3	321129000	Reverse feed button cap	14	000080000	Hexagon socket screw 4x8 + flat head Y screw 3x8.2V
4	321821007	Stroke length regulator knob (unit)	15	281082008	Stroke length regulator base holder
5	321128008	Stroke length indicator plate	16	381090008	Corrugated washer
6	381103011	Stroke length regulator knob + pan head Y screw 3x8.2V	17	381094008	Stroke length regulator core
7	000087001	Flat head set screw	18	381083007	Stroke length regulator base
8	381101008	Flat head set screw			
9	281080002	Stroke length regulator (unit)			
10	381085000	Stroke length regulator shaft			
11	381087001	Excessible pin			

I



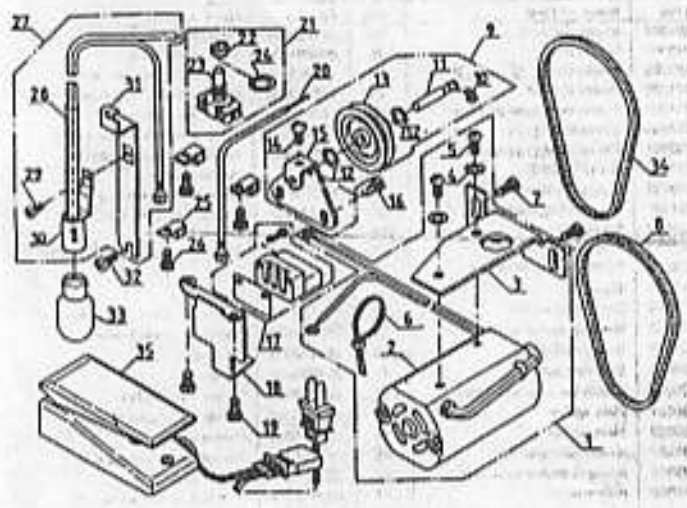
Key	Part No.	Name of Parts	Key	Part No.	Name of Parts
1	321803002	Crank rod (unit)	20	321071008	Feed lifting crank spring
2	101148008	Set screw	21	321074008	Feed lifting crank spring support
3	321039001	Crank rod	24	321073008	Feed lifting crank roller shaft
4	101181003	Taper screw	25	000078208	Hexagon socket screw 4x8
5	000078308	Hexagon socket screw 5x5	28	321072007	Feed lift adjusting crank
6	321038002	Lower shaft crank	27	321089001	Feed lifting crank
7	101162004	Nut	30	101168000	Set screw
8	321040008	Lower shaft	31	321104008	Feed lifting shaft ring
9	321042008	Lower shaft rear bushing	32	321088000	Feed lifting shaft
10	000079308	Hexagon socket screw 5x5	33	000081808	+ - binding head screw 4x20
11	321043008	Feed lifting cam	34	321075000	Drop feed plunger
12	000079308	Hexagon socket screw 5x5	36	000079000	Hexagon socket screw 3x4
13	321041007	Lower shaft front bushing	37	321077002	Plunger spring
14	000079308	Hexagon socket screw 5x5	38	000083409	+ - pan head screw 5x10
15	321044000	Lower shaft gear			
16	281075003	Lower shaft gear set screw			
17	000079308	Hexagon socket screw 5x5			
18	321061003	Feed lifting crank (unit)			
19	321087000	Feed lifting shaft base			





Key	Part No.	Name of Parts	Key	Part No.	Name of Parts
1	00001500	+ - binding head screw 4x10	11	32109007	Roller cushion
2	000012005	Washer	12	32109008	Detachable workplate leg
3	321004018	Belt cover	13	321090001	Lag guard plate
4	321082003	Spring plate	14	000015004	Washer 3
5	000001304	+ - binding head screw 4x5	15	000007001	+ pan head T screw 3x5-2V
6	321614018	Detachable workplate (unit)	16	321624000	Spool pin base (unit)
7	321081002	Guide shaft	17	101081004	Spool pin
8	321081016	Detachable workplate	18	301007004	Spool pin base
9	000011107	Washer 4	19	101380005	Nut
10	000001500	+ - binding head screw 4x10	20	000081304	+ - binding head screw 4x5

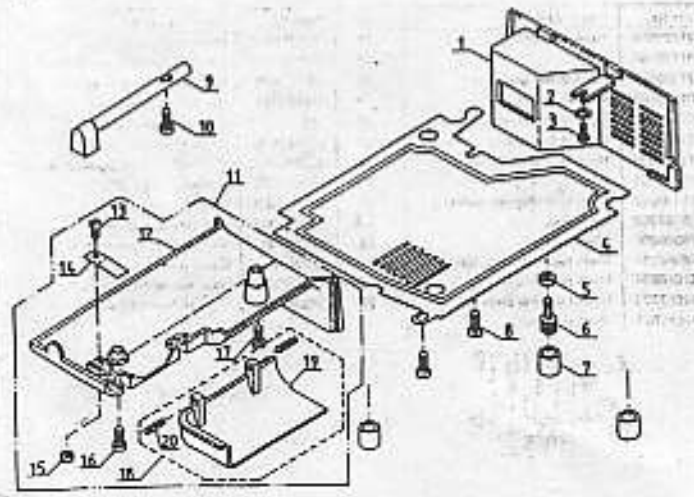
### K



Key	Part No.	Name of Parts	Key	Part No.	Name of Parts
1	012010005	Motor (unit)	19	000081304	+ - binding head screw 4x5
2	012001008	Motor	20	321136008	Switch cord
3	012010000	Motor bracket	21	321825001	Switch (unit)
4	000011107	Plain washer	22	321116004	Nut
5	012011001	Motor set screw	23	321807008	Switch
6	000003008	Nylon band	24	000016204	Lock washer
7	000083408	+ - pan head screw 5x10	25	67417006	Nylon cord guard
8	000091008	Belt 8U 300	26	000081304	Binding head screw 4x5
9	321813006	Middle pulley (unit)	27	321816008	Lamp socket plate (unit)
10	000001218	Snap ring E-4 (O)	28	321136000	PVC tube
11	321086004	Middle pulley shaft	29	000081301	+ - binding head screw 4x5
12	000013008	Thrust washer	30	321080005	Lamp socket (unit)
13	321084002	Middle pulley	31	321083004	Lamp socket plate
14	000083408	+ - pan head screw 5x10	32	000081304	+ - binding head screw 4x5
15	321086003	Middle pulley bracket	33	000103003	Light bulb 120V 8A150
16	000083408	+ - pan head screw 5x10	34	000081304	Belt 8U360
17	012002008	Terminal box	35	022510006	Controller
18	321080008	Terminal bracket			

Y4K35R1

### L



Key	Part No.	Name of Parts	Key	Part No.	Name of Parts
1	321010018	Terminal cover	11	321601012	Bed cover (unit)
2	000012005	Washer 4	12	321090010	Bed cover
3	000081304	+ - binding head screw 4x5	13	000081304	+ - binding head screw 4x5
4	321014001	Arm bed bottom cover	14	321007001	Spring plate
5	000071208	Nut 5-18	15	000071105	Nut 4-3-7
6	321012009	Bed leg screw	16	000081803	+ - binding head screw 4x12
7	321011008	Rubber cushion	17	000081809	+ - binding head screw 4x20
8	000081304	+ - binding head screw 4x5	18	321628002	Shuttle race cover (unit)
9	321013000	Arm bed leg	19	321008011	Shuttle race cover
10	000083606	+ - pan head screw 5x16	20	000006007	Spring pin 2.5x10